

STEERING SYSTEM

SECTION **ST**

GI
MA
EM
LC
EC
FE
CL
MT
AT
FA
RA
BR
ST
BF
HA
EL
IDX

CONTENTS

PRECAUTIONS AND PREPARATION	2	Installation.....	8
Precautions.....	2	Disassembly and Assembly.....	9
Special Service Tools.....	2	Inspection.....	10
Commercial Service Tool.....	3	POWER STEERING GEAR AND LINKAGE	11
ON-VEHICLE SERVICE	4	Removal and Installation.....	11
Checking Steering Wheel Play.....	4	Disassembly.....	13
Checking Neutral Position on Steering Wheel.....	4	Inspection.....	14
Front Wheel Turning Angle.....	4	Assembly.....	15
Checking Gear Housing Movement.....	4	Adjustment.....	19
Checking and Adjusting Drive Belts.....	5	POWER STEERING OIL PUMP	21
Checking Fluid Level.....	5	Pre-disassembly Inspection.....	21
Checking Fluid Leakage.....	5	Disassembly.....	22
Bleeding Hydraulic System.....	5	Inspection.....	22
Checking Steering Wheel Turning Force.....	6	Assembly.....	23
Checking Hydraulic System.....	6	SERVICE DATA AND SPECIFICATIONS (SDS)	24
STEERING WHEEL AND STEERING COLUMN	7	General Specifications.....	24
Removal.....	7	Inspection and Adjustment.....	24

PRECAUTIONS AND PREPARATION

Precautions

SUPPLEMENTAL RESTRAINT SYSTEM "AIR BAG" AND "SEAT BELT PRE-TENSIONER"

The Supplemental Restraint System "Air Bag" and "Seat Belt Pre-tensioner", used along with a seat belt, help to reduce the risk or severity of injury to the driver and front passenger in a frontal collision. The Supplemental Restraint System consists of air bag modules (located in the center of the steering wheel and on the instrument panel on the passenger side), seat belt pre-tensioners, sensors, a diagnosis unit, warning lamp, wiring harness and spiral cable. Information necessary to service the system safely is included in the **BF section** of this Service Manual.

WARNING:

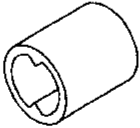
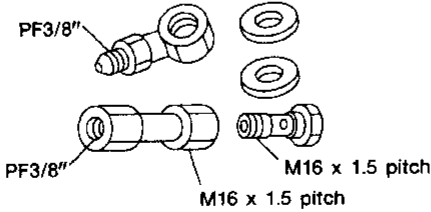
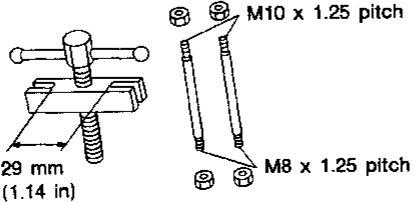
- To avoid rendering the SRS inoperative, which could lead to personal injury or death in the event of a severe frontal collision, all maintenance must be performed by an authorized INFINITI dealer.
- Improper maintenance, including incorrect removal and installation of the SRS, can lead to personal injury caused by unintentional activation of the system.
- All SRS air bag electrical wiring harnesses and connectors are covered with yellow outer insulation. Do not use electrical test equipment on any circuit related to the SRS SYSTEM.

STEERING SYSTEM

- Before disassembly, thoroughly clean the outside of the unit.
- Disassembly should be done in a clean work area. It is important to prevent the internal parts from becoming contaminated by dirt or other foreign matter.
- When disassembling, place parts in order on a part rack so they can be reinstalled properly.
- Use nylon cloths or paper towels to clean the parts; common shop rags can leave lint that might interfere with their operation.
- Before inspection or reassembly, carefully clean all parts with a general purpose, non-flammable solvent.
- Before assembly, apply a coat of recommended ATF* to hydraulic parts. Vaseline may be applied to O-rings and seals. Do not use any grease.
- Replace all gaskets, seals and O-rings. Avoid damaging O-rings, seals and gaskets during installation. Perform functional tests whenever designated.

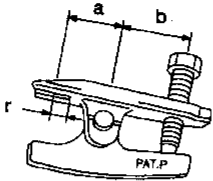
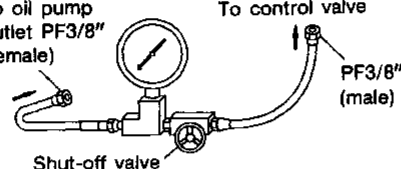
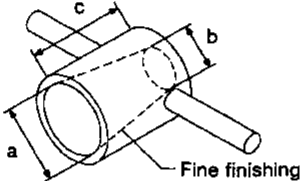
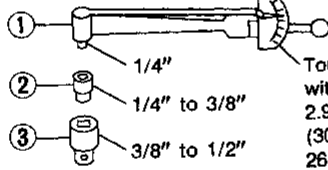
*: Automatic transmission fluid

Special Service Tools

Tool number (Kent-Moore No.) Tool name	Description	
KV48100700 (J26364) Torque adapter	 NT169	Measuring pinion rotating torque
KV48102500 (—) Pressure gauge adapter	 NT542	Measuring oil pressure
ST27180001 (J25726-A) Steering wheel puller	 NT544	Removing and installing steering wheel

PRECAUTIONS AND PREPARATION

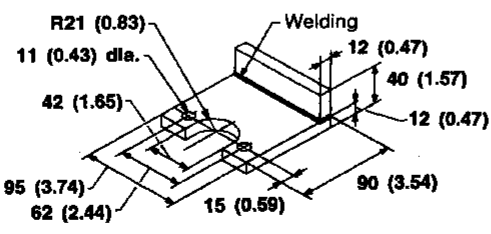
Special Service Tools (Cont'd)

Tool number (Kent-Moore No.) Tool name	Description	
HT72520000 (J25730-A) Ball joint remover		Removing ball joint a: 33 mm (1.30 in) b: 50 mm (1.97 in) r: R11.5 mm (0.453 in)
ST27091000 (J26357) Pressure gauge		Measuring oil pressure Shut-off valve To oil pump outlet PF3/8" (female) To control valve PF3/8" (male)
KV48104400 (—) Rack seal ring reformer		Reforming teflon ring a: 50 mm (1.97 in) dia. b: 36 mm (1.42 in) dia. c: 100 mm (3.94 in)
ST3127S000 (See J25765-A) ① GG91030000 (J25765-A) Torque wrench ② HT62940000 (—) Socket adapter ③ HT62900000 (—) Socket adapter		Measuring turning torque Torque wrench with range of 2.9 N·m (30 kg·cm, 26 in·lb)

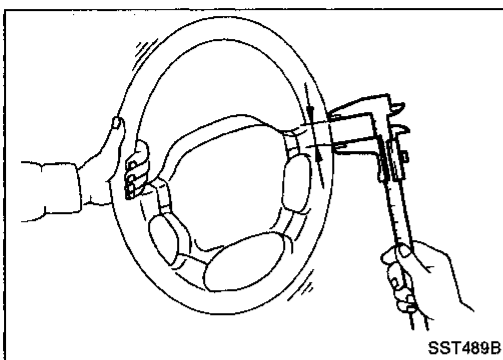
GI
MA
EM
LC
EC
FE
CL
MT
AT
FA
RA
BR

Commercial Service Tool

ST

Tool name	Description	
Oil pump attachment		Disassembling and assembling oil pump Unit: mm (in)

BF
HA
EL
IDX



SST489B

Checking Steering Wheel Play

1. With wheels in a straight-ahead position, check steering wheel play.

Steering wheel play: 35 mm (1.38 in) or less

2. If not within specification, check steering gear assembly. Front suspension and axle, steering gear assembly and steering column should be mounted correctly when checking.

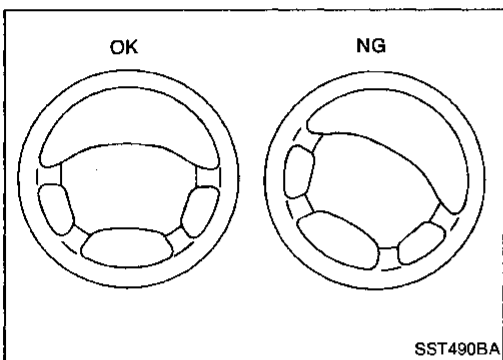
Checking Neutral Position on Steering Wheel

Pre-checking

- Make sure that wheel alignment is correct.
Wheel alignment: Refer to SDS in FA section.
- Verify that the steering gear is centered before removing the steering wheel.

Checking

1. Check that the steering wheel is in the neutral position when driving straight ahead.
2. If it is not in the neutral position, remove the steering wheel and reinstall it correctly.
3. If the neutral position is between two serrated teeth of steering column shaft, correct position as follows. Loosen tie-rod lock nuts and adjust tie-rods. Turn the tie-rods by the same amount on both left and right sides.



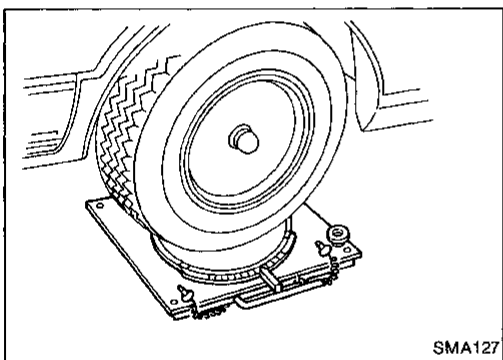
SST490BA

Front Wheel Turning Angle

1. Rotate steering wheel all the way right and left; measure turning angle.

Turning angle of full turns:

Refer to SDS in FA section.

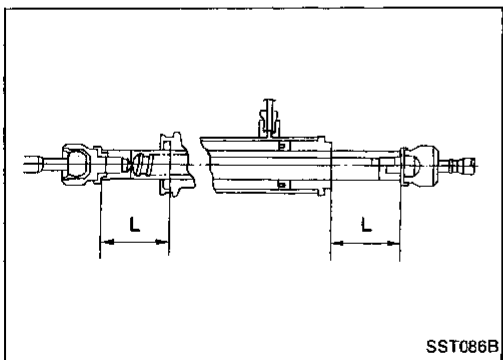


SMA127

2. If it is not within specification, check rack stroke.

Rack stroke "L":

Refer to SDS (ST-25).



SST086B

Checking Gear Housing Movement

1. Check the movement of steering gear housing during stationary steering on a dry paved surface.

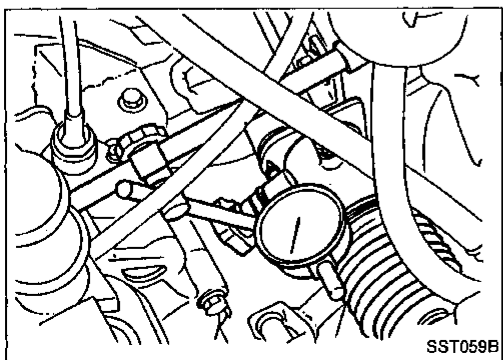
- Apply a force of 49 N (5 kg, 11 lb) to steering wheel to check the gear housing movement.

Turn off ignition key while checking.

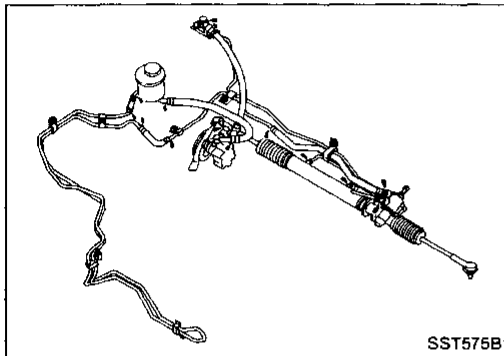
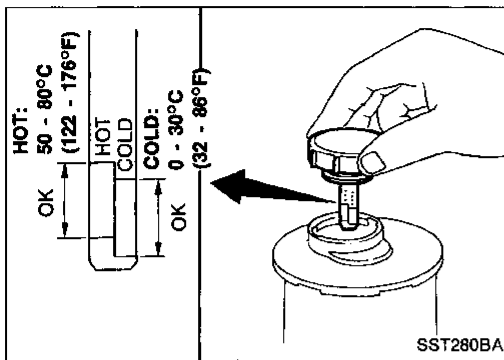
Movement of gear housing:

±2 mm (±0.08 in) or less

2. If movement exceeds the limit, replace mount insulator after confirming proper installation of gear housing clamps.



SST059B



Checking and Adjusting Drive Belts

Refer to "Checking Drive Belts" in MA section.

Checking Fluid Level

Check fluid level.

Use the correct range of the dipstick depending on the fluid temperature. Use the "HOT" range at 50 to 80°C (122 to 176°F), or the "COLD" range at 0 to 30°C (32 to 86°F).

CAUTION:

- Do not overfill.
- Recommended fluid is Automatic Transmission Fluid type DEXRON™II or equivalent.

Checking Fluid Leakage

Check the lines for improper attachment and for leaks, cracks, damage, loose connections, chafing or deterioration.

1. Run engine between idle speed and 1,000 rpm.

Make sure temperature of fluid in oil tank rises to 60 to 80°C (140 to 176°F).

2. Turn steering wheel right-to-left several times.
3. Hold steering wheel at each "lock" position for five seconds and carefully check for fluid leakage.

CAUTION:

Do not hold the steering wheel in a locked position for more than 15 seconds.

4. If fluid leakage at connectors is noticed, loosen flare nut and then retighten.

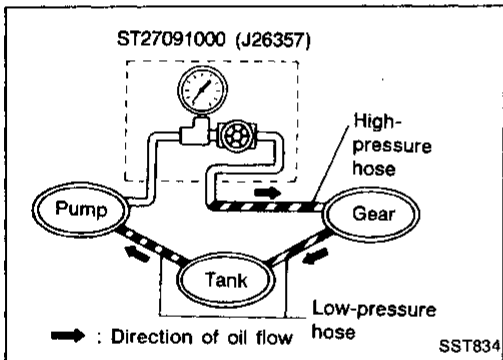
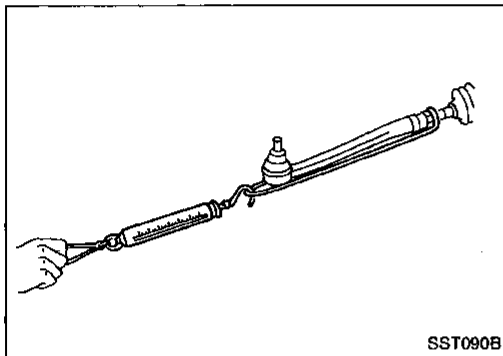
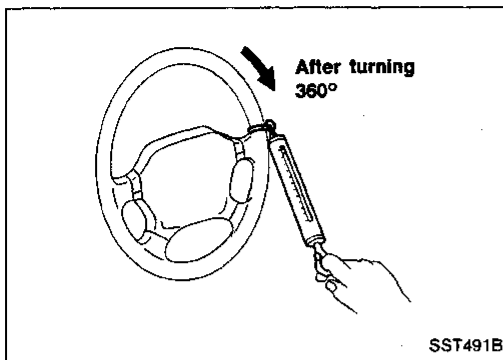
Do not overlighten connector as this can damage O-ring, washer and connector.

Bleeding Hydraulic System

1. Raise front end of vehicle until wheels are clear of the ground.
 2. Add fluid into oil tank to specified level. Then, quickly turn steering wheel fully to right and left and lightly touch steering stoppers.
Repeat steering wheel operation until fluid level no longer decreases.
 3. Start engine.
Repeat step 2 above.
- Incomplete air bleeding will cause the following to occur. When this happens, bleed air again.
 - a. Air bubbles in reservoir tank
 - b. Clicking noise in oil pump
 - c. Excessive buzzing in oil pump

Fluid noise may occur in the valve or oil pump in the following situations: While the vehicle is stationary or while turning steering wheel slowly. This noise is inherent in this steering system. It will not affect performance or durability of the system.

GI
MA
EM
LC
EC
FE
CL
MT
AT
FA
RA
BR
ST
BF
HA
EL
IDX



Checking Steering Wheel Turning Force

1. Park vehicle on a level, dry surface and set parking brake.
2. Start engine.
3. Bring power steering fluid up to adequate operating temperature. [Make sure temperature of fluid is approximately 60 to 80°C (140 to 176°F).]

Tires need to be inflated to normal pressure.

4. Check steering wheel turning force when steering wheel has been turned 360° from neutral position.

Steering wheel turning force: 39 N (4 kg, 9 lb) or less

5. If out of specifications, check rack sliding force to detect condition of steering gear assembly.
 - a. Disconnect steering column lower joint and knuckle arms from the gear.
 - b. Start and run engine at idle to make sure steering fluid has reached normal operating temperature.
 - c. While pulling tie-rod slowly from the neutral position, make sure rack sliding force is within specification.

Rack sliding force: 108 - 284 N (11 - 29 kg, 24 - 64 lb)

6. If rack sliding force is not within specification, replace steering gear assembly.

Checking Hydraulic System

Before starting, check belt tension, driving pulley and tire pressure.

1. Set Tool. Open shut-off valve. Then bleed air. [See "Bleeding Hydraulic System" (ST-5).]
2. Run engine.

Make sure temperature of fluid in tank rises to 60 to 80°C (140 to 176°F).

WARNING:

Warm up engine with shut-off valve fully opened. If engine is started with shut-off valve closed, oil pressure in oil pump will increase. This will raise oil temperature abnormally.

3. Check pressure with steering wheel fully turned to left and right positions with engine idling at 1,000 rpm.

CAUTION:

Do not hold the steering wheel in a locked position for more than 15 seconds.

Oil pump maximum standard pressure:

7,649 - 8,238 kPa (78 - 84 kg/cm², 1,109 - 1,194 psi)

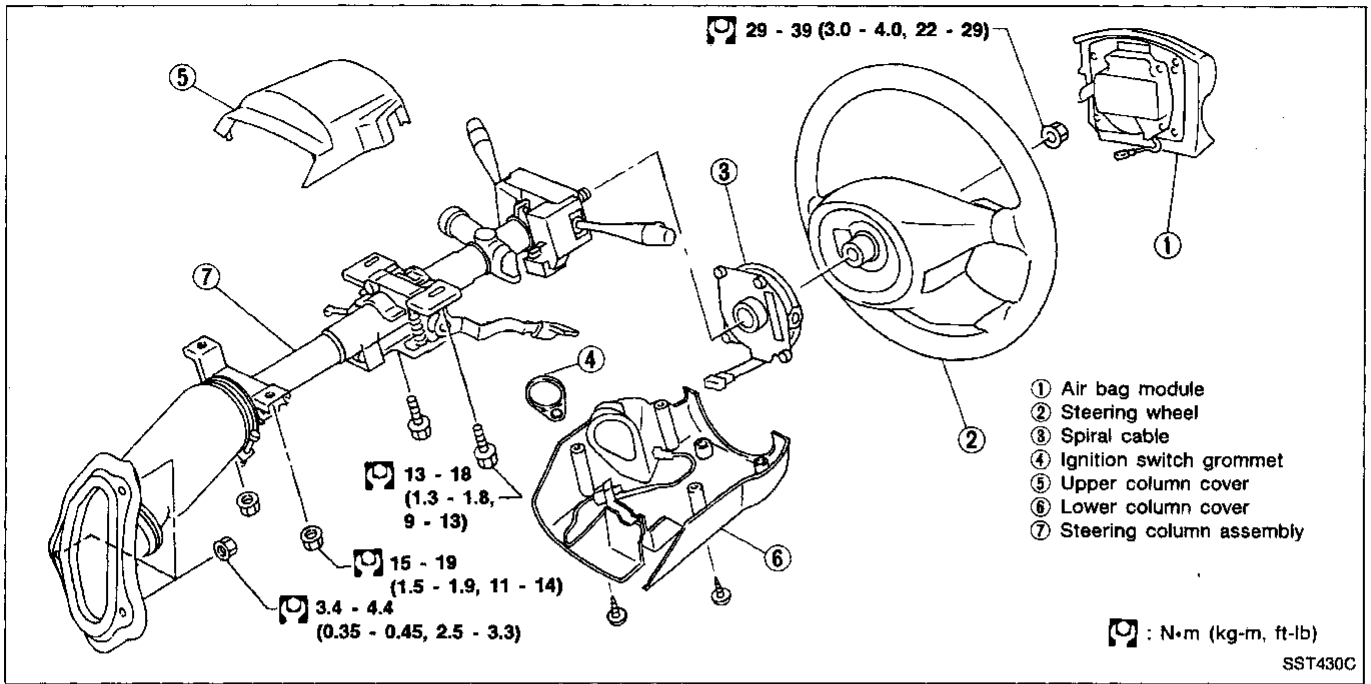
4. If oil pressure is below the standard pressure, slowly close shut-off valve and check pressure.
 - When pressure reaches standard pressure, gear is damaged.
 - When pressure remains below standard pressure, pump is damaged.

CAUTION:

Do not close shut-off valve for more than 15 seconds.

5. If oil pressure is higher than standard pressure, check oil pump flow control valve.
6. After checking hydraulic system, remove Tool and add fluid as necessary. Then completely bleed air out of system.

STEERING WHEEL AND STEERING COLUMN



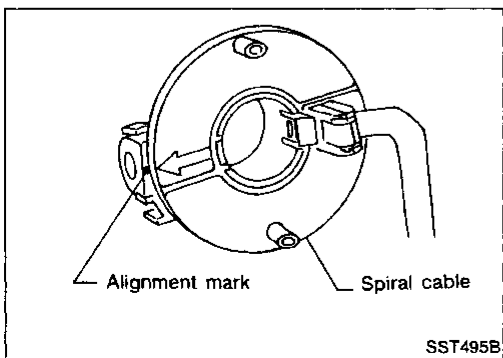
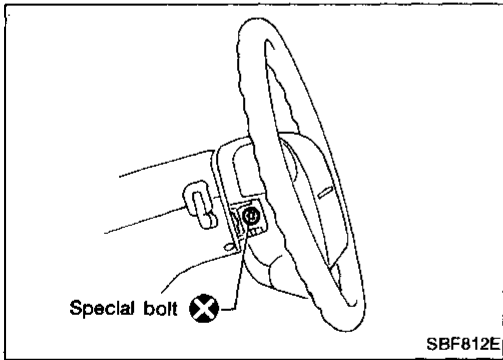
CAUTION:

The rotation of the spiral cable (SRS "Air bag" component part) is limited. If the steering gear must be removed, set the front wheels in the straight-ahead direction. Do not rotate the steering column while the steering gear is removed.

Removal

STEERING WHEEL

- Remove air bag module and spiral cable. Refer to BF section ("Removal — Air Bag Module and Spiral Cable", "SUPPLEMENTAL RESTRAINT SYSTEM").

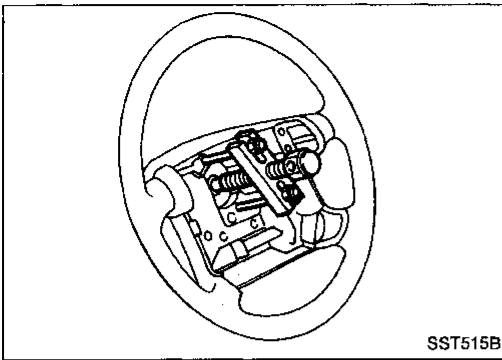


- Align spiral cable correctly when installing steering wheel.

STEERING WHEEL AND STEERING COLUMN

Removal (Cont'd)

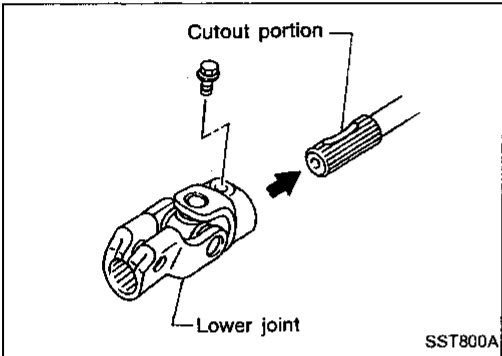
- Remove steering wheel with Tool.



Installation

STEERING COLUMN

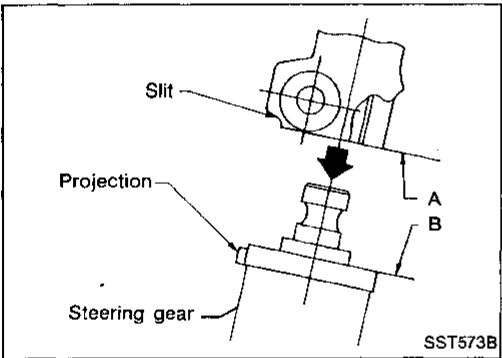
- When installing steering column, fingertighten all lower bracket and clamp retaining bolts; then tighten them securely. Do not apply undue stress to steering column.
- When attaching lower joint, be sure tightening bolt faces cutout portion.



- Align slit of lower joint with projection on dust cover. Insert joint until surface A contacts surface B.

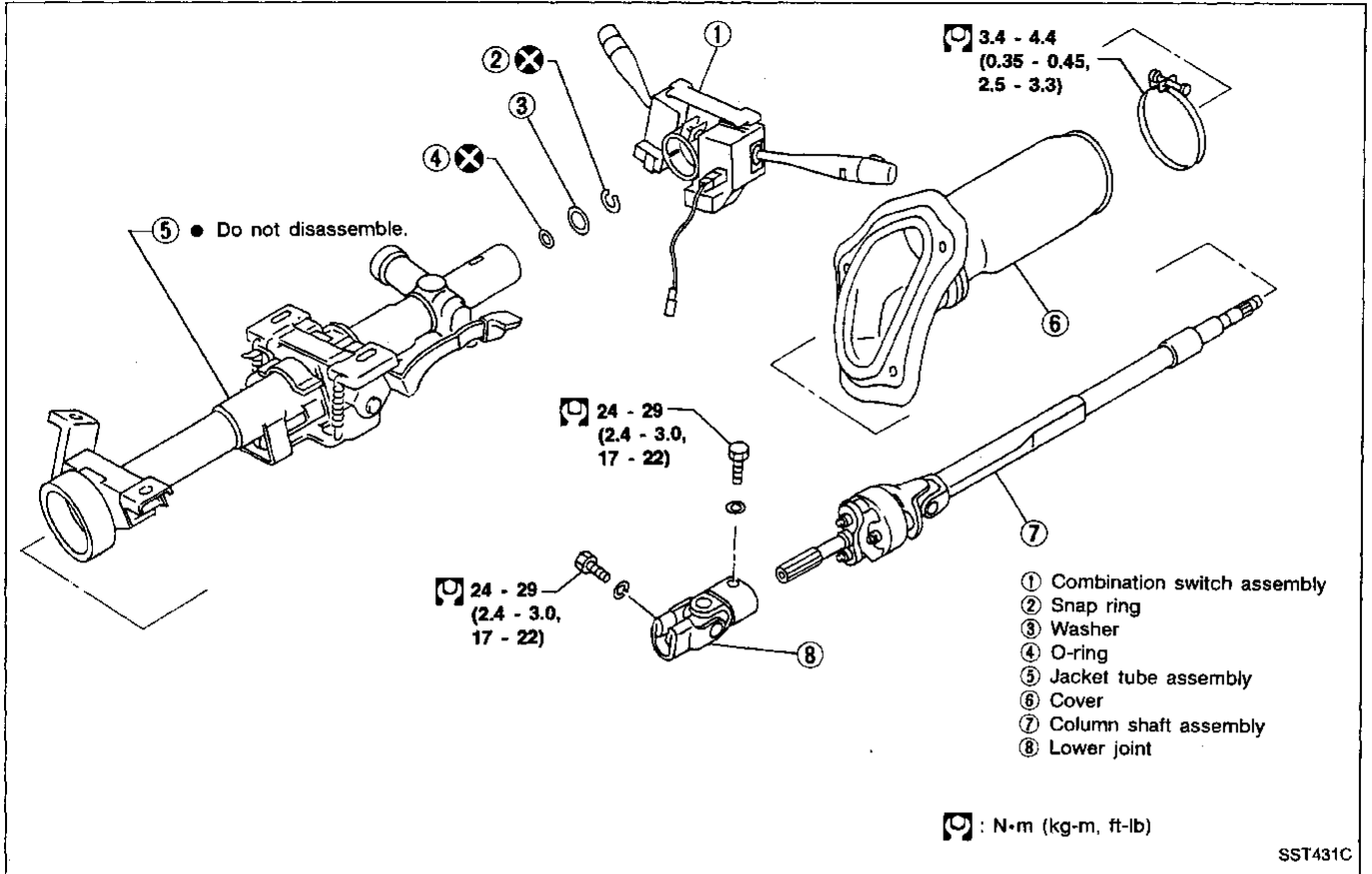
CAUTION:

After installation, turn steering wheel to make sure it moves smoothly. Ensure the number of turns from the straight forward position to left and right locks are the same. Be sure that the steering wheel is in a neutral position when driving straight ahead.



STEERING WHEEL AND STEERING COLUMN

Disassembly and Assembly



GI
MA
EM
LC
EC
FE
CL
MT
AT

FA
RA
BR

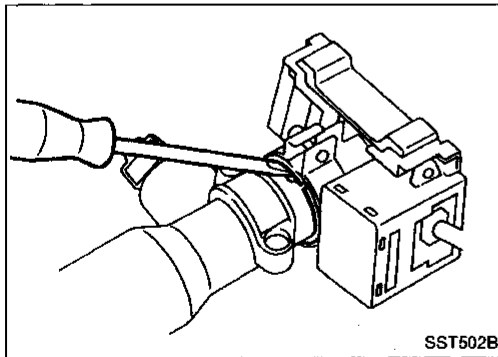
ST

BF

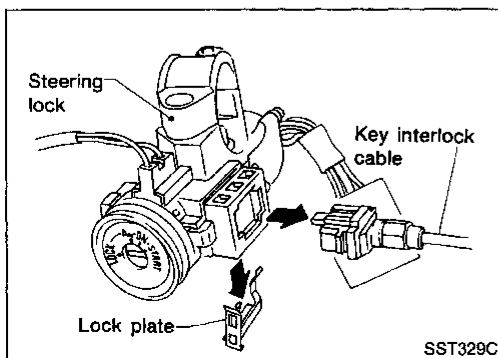
HA

EL

IDX



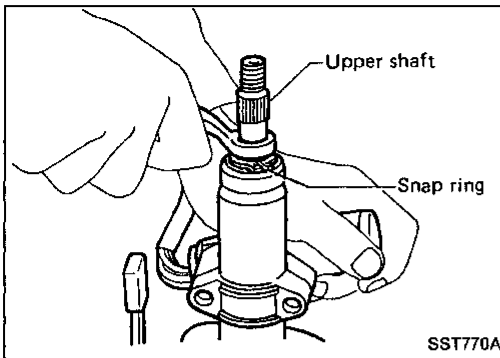
- To remove combination switch, insert a suitable tool between mating portion. Lift switch bracket and pull it out.
- When disassembling and assembling, unlock steering lock with key.



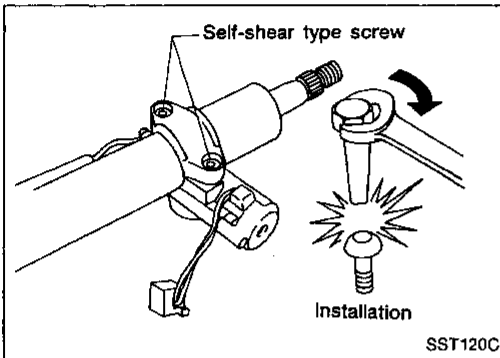
- Remove key interlock cable (A/T models).

STEERING WHEEL AND STEERING COLUMN

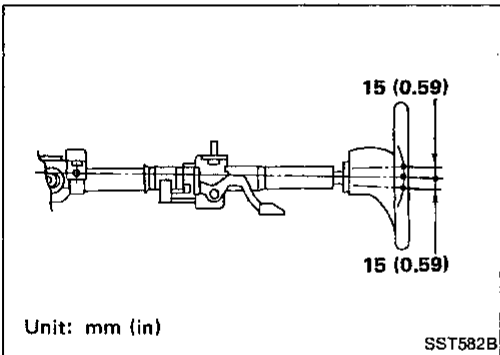
Disassembly and Assembly (Cont'd)



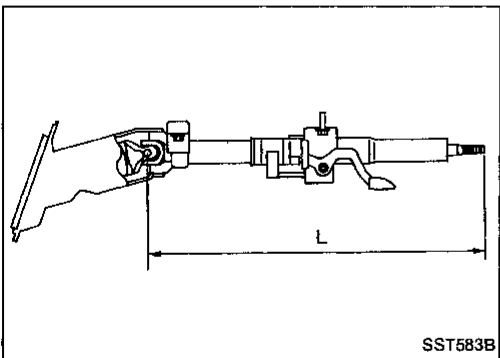
- Ensure that rounded surface of snap ring faces toward bearing when snap ring is installed.
- Install snap ring on upper shaft with a suitable tool.



- Steering lock
 - a. Break self-shear type screws with a drill or other appropriate tool.
 - b. Install new self-shear type screws and then cut off self-shear type screw heads.



- After installing steering column, check tilt mechanism operation. (Vehicles with tilt system)



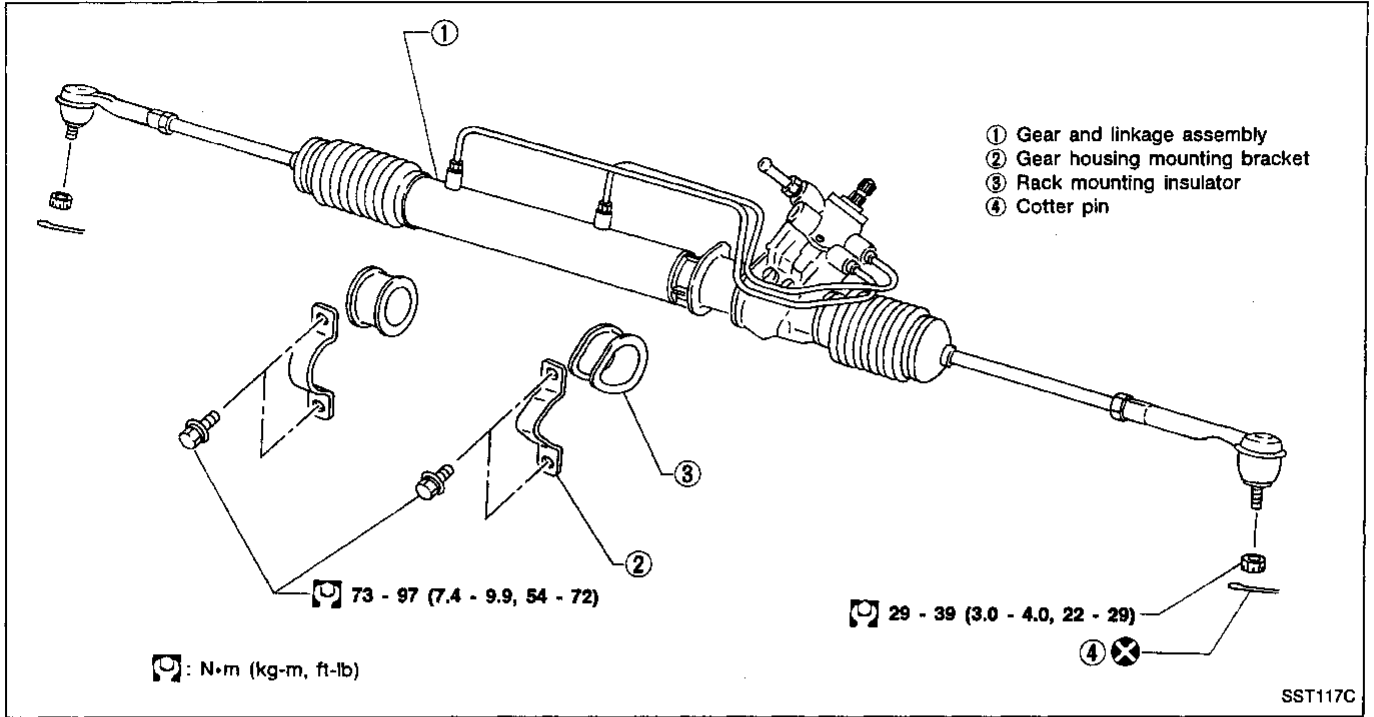
Inspection

- When steering wheel does not turn smoothly, check the steering column as follows and replace damaged parts.
 - a. Check column bearings for damage or unevenness. Lubricate with recommended multi-purpose grease or replace steering column as an assembly, if necessary.
 - b. Check jacket tube for deformation or breakage. Replace if necessary.
- When the vehicle is involved in a light collision, check column length "L". If it is not within specifications, replace steering column as an assembly.

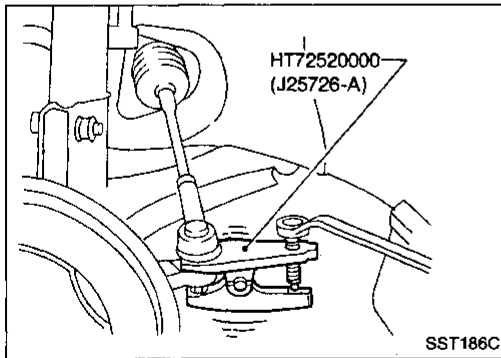
Column length "L": 556.2 - 557.8 mm (21.90 - 21.96 in)

POWER STEERING GEAR AND LINKAGE

Removal and Installation



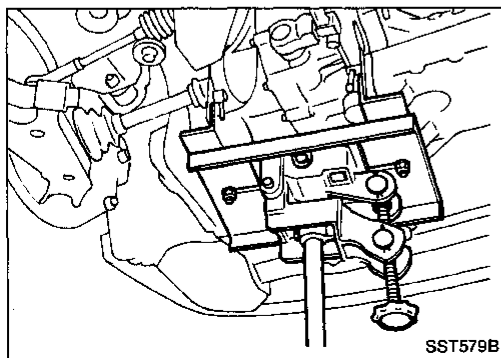
GI
 MA
 EM
 LC
 EC
 FE
 CL
 MT
 AT
 FA
 RA
 BR
 ST
 BF
 HA
 EL
 IDX



CAUTION:

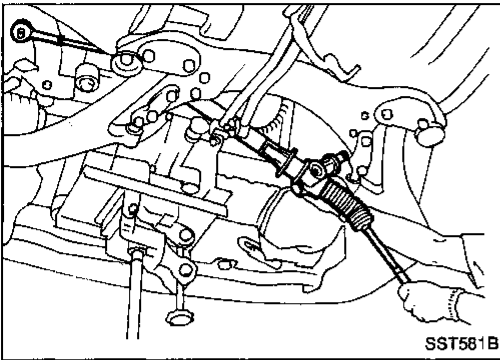
The rotation of the spiral cable (SRS "Air bag" component part) is limited. If the steering gear must be removed, set the front wheels in the straight-ahead direction. Do not rotate the steering column while the steering gear is removed.

- Detach tie-rod outer sockets from knuckle arms with Tool.
- Remove high and low pressure connectors.
- Remove exhaust front tube.
- Remove steering lower joint.
- Remove gear housing brackets.
- Support transmission housing with engine jack.
- Remove center member with engine mounting rear bracket.

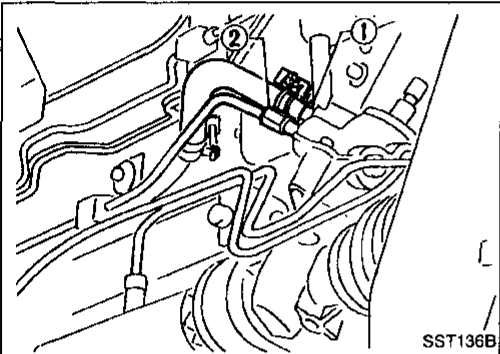


POWER STEERING GEAR AND LINKAGE

Removal and Installation (Cont'd)



- Remove steering gear assembly.



- Install pipe connector.
- Observe specified tightening torque when tightening high-pressure and low-pressure pipe connectors. Excessive tightening will damage threads of connector or O-ring.

Connector tightening torque:

Low-pressure side "1"

27 - 39 N·m (2.8 - 4.0 kg-m, 20 - 29 ft-lb)

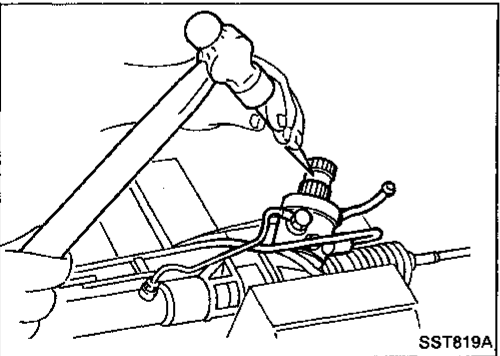
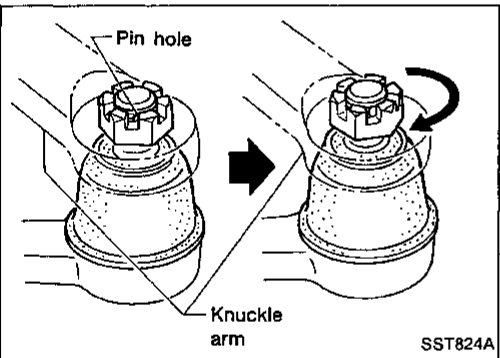
High-pressure side "2"

15 - 25 N·m (1.5 - 2.5 kg-m, 11 - 18 ft-lb)

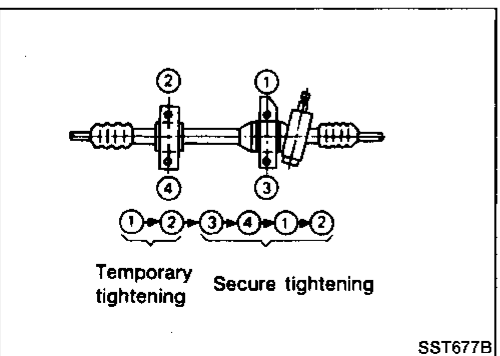
- The O-ring in low-pressure pipe connector is larger than that in high-pressure connector. Take care to install the proper O-ring.
- Initially, tighten nut on tie-rod outer socket and knuckle arm to 29 to 39 N·m (3 to 4 kg-m, 22 to 29 ft-lb). Then tighten further to align nut groove with first pin hole so that cotter pin can be installed.

CAUTION:

Tightening torque must not exceed 49 N·m (5 kg-m, 36 ft-lb).

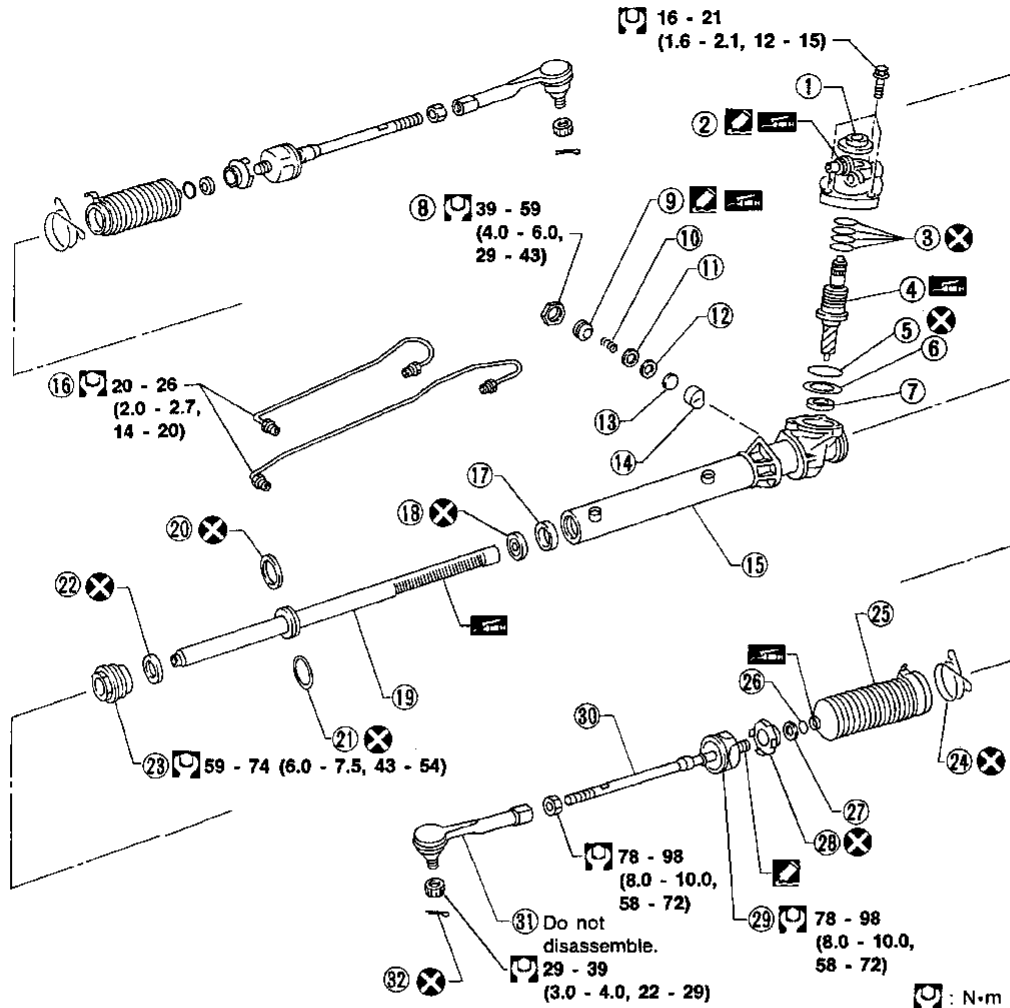


- Before removing lower joint from gear, set gear in neutral (wheels in straight-ahead position). After removing lower joint, put matching mark on pinion shaft and pinion housing to record neutral position.
- To install, set left and right dust boots to equal deflection, and attach lower joint by aligning matching marks of pinion shaft and pinion housing.



- Tighten gear housing mounting bracket bolts in the order shown.

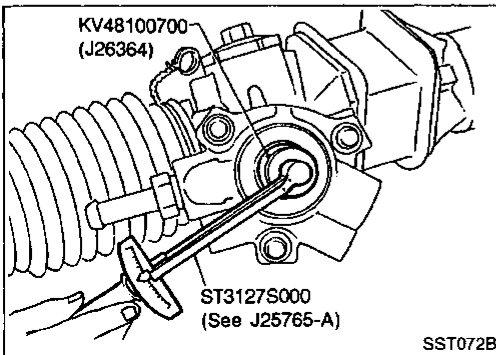
POWER STEERING GEAR AND LINKAGE



- | | | |
|-------------------------|---------------------|------------------------|
| ① Rear housing cover | ⑫ Washer | ⑳ End cover assembly |
| ② Rear housing assembly | ⑬ Spring seat | ㉑ Boot clamp |
| ③ Pinion seal ring | ⑭ Retainer | ㉒ Dust boot |
| ④ Pinion assembly | ⑮ Gear housing | ㉓ Boot band |
| ⑤ O-ring | ⑯ Gear housing tube | ㉔ Rack spacer |
| ⑥ Shim | ⑰ Center bushing | ㉕ Lock plate |
| ⑦ Pinion oil seal | ⑱ Rack oil seal | ㉖ Tie-rod inner socket |
| ⑧ Lock nut | ㉒ Rack assembly | ㉗ Tie-rod |
| ⑨ Adjusting screw | ㉓ Rack seal ring | ㉘ Tie-rod outer |
| ⑩ Spring | ㉔ O-ring | ㉙ Cotter pin |
| ⑪ Spring disc | ㉕ Rack oil seal | |

Ⓜ : N·m (kg-m, ft-lb) SST188C

GI
MA
EM
LC
EC
FE
CL
MT
AT
FA
RA
BR
ST
BF
HA
EL



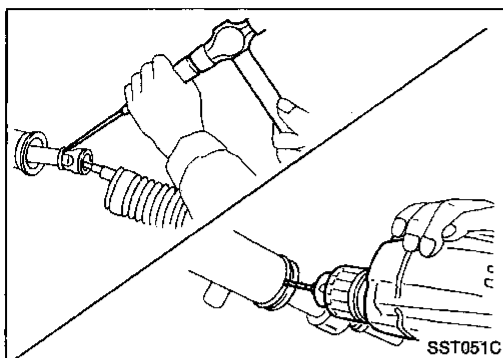
Disassembly

1. Prior to disassembling, measure pinion rotating torque. Record the pinion rotating torque as a reference.
 - Before measuring, disconnect gear housing tube and drain fluid.
 - Use soft jaws when holding steering gear housing. Handle gear housing carefully, as it is made of aluminum. Do not grip cylinder in a vise.

IDX

POWER STEERING GEAR AND LINKAGE

Disassembly (Cont'd)



2. Remove pinion gear.

Be careful not to damage pinion gear when removing pinion seal ring.

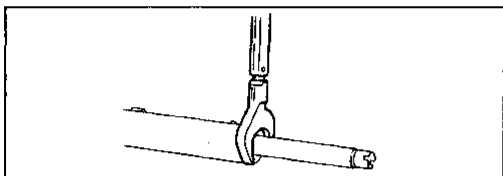
3. Remove tie-rod outer sockets and boots.

4. Loosen tie-rod inner socket by prying up staked portion, and remove socket.

5. Remove retainer.

6. Remove pinion assembly.

7. Drill staked portion of gear housing end with drill of 2 to 2.5 mm (0.079 to 0.098 in) diameter.



8. Remove end cover assembly with a suitable tool.

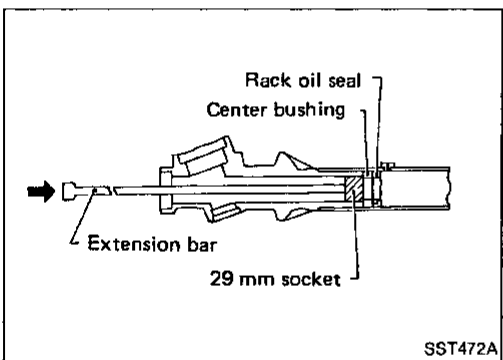
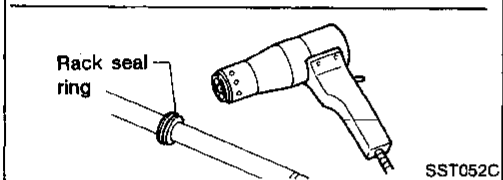
9. Draw out rack assembly.

10. Remove rack seal ring.

- Using a heat gun, heat rack seal to approximately 40°C (104°F).

- Remove rack seal ring.

Be careful not to damage rack.



11. Remove center bushing and rack oil seal using tape wrapped socket and extension bar.

Do not scratch inner surfaces of pinion housing.

Inspection

Thoroughly clean all parts in cleaning solvent or automatic transmission fluid type DEXRON™II or equivalent. Blow dry with compressed air, if available.

BOOT

Check condition of boot. If cracked excessively, replace it.

RACK

Thoroughly examine rack gear. If damaged, cracked or worn, replace it.

PINION ASSEMBLY

- Thoroughly examine pinion gear. If pinion gear is damaged, cracked or worn, replace it.
- Check that all bearings roll freely. Ensure that balls, rollers and races in the bearing assemblies are not cracked, pitted or worn. Replace if necessary.

GEAR HOUSING CYLINDER

Check gear housing cylinder bore for scratches or other damage. Replace if necessary.

POWER STEERING GEAR AND LINKAGE

Inspection (Cont'd)

TIE-ROD OUTER AND INNER SOCKETS

- Check ball joints for swinging force.
Tie-rod outer and inner ball joints swinging force "A":
Refer to SDS (ST-24).
- Check ball joint for rotating torque.
Tie-rod outer ball joint rotating torque "B":
Refer to SDS (ST-24).
- Check ball joints for axial end play.
Tie-rod outer and inner ball joints axial end play "C":
Refer to SDS (ST-24).
- Check condition of dust cover. If cracked excessively, replace outer tie-rod.

GI

MA

EM

LC

EC

FE

CL

MT

AT

FA

RA

BR

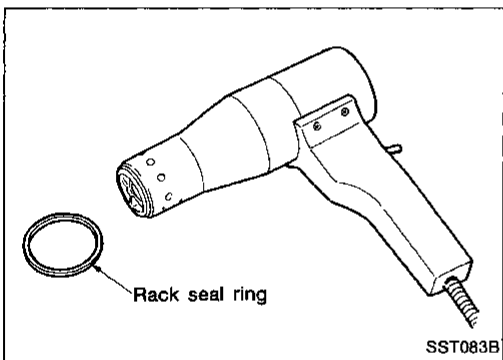
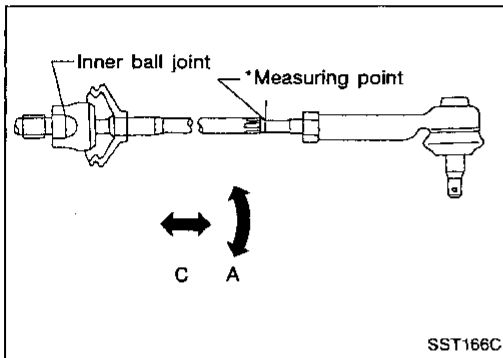
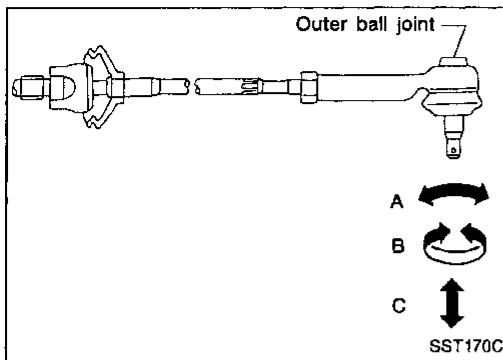
ST

BF

HA

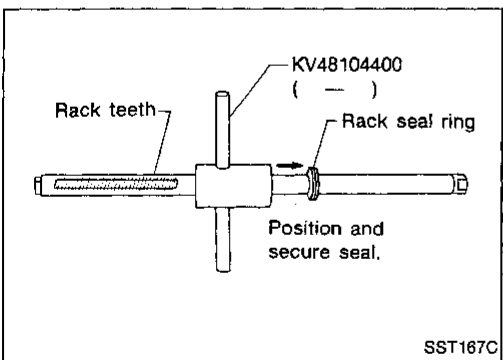
EL

IDX



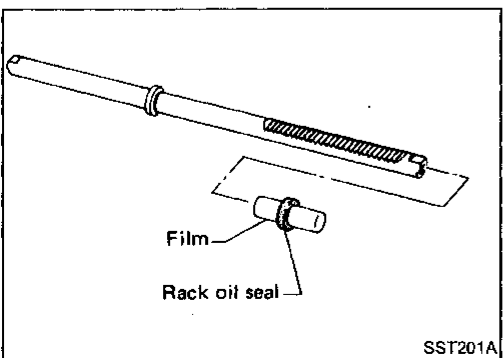
Assembly

- Using a heat gun, heat new rack seal ring (made of Teflon) to approximately 40°C (104°F). Then install it onto rack with your hand.



- Using Tool, compress periphery of rack seal ring to position and secure it on rack.

Always insert Tool from the rack gear side.

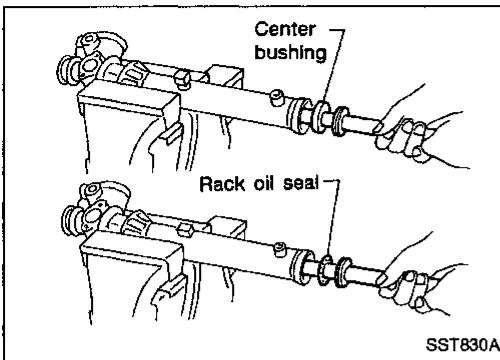


- Insert new rack oil seal.

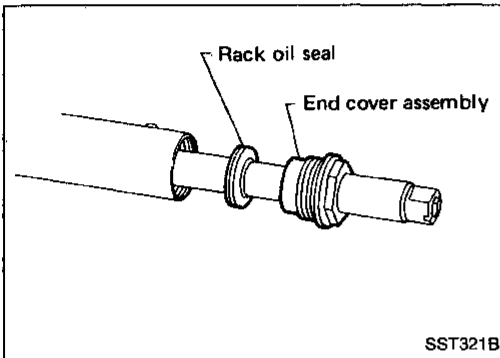
- Place plastic film into rack oil seal to prevent damage by rack teeth.
- Do not forget to remove plastic film after rack oil seal is positioned properly.
- Make sure lips of rack oil seal face each other.

POWER STEERING GEAR AND LINKAGE

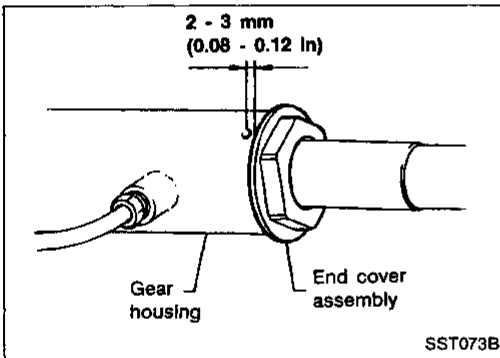
Assembly (Cont'd)



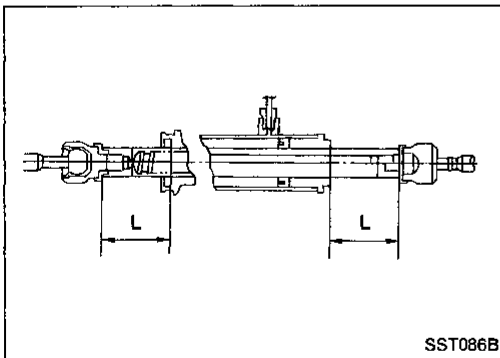
4. Install center bushing and rack oil seal with rack assembly.



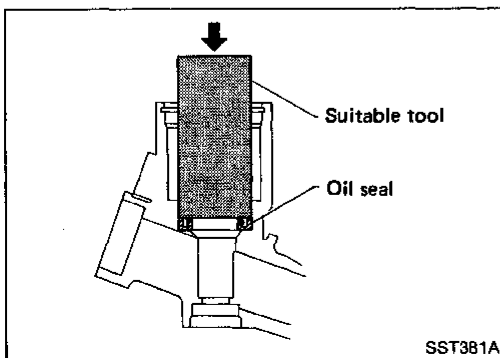
5. Insert rack oil seal and end cover assembly to rack. Then tighten end cover assembly.



6. Fasten end cover assembly to gear housing by staking.



7. Set rack gear in neutral position.
Rack stroke "L":
Refer to SDS (ST-25).

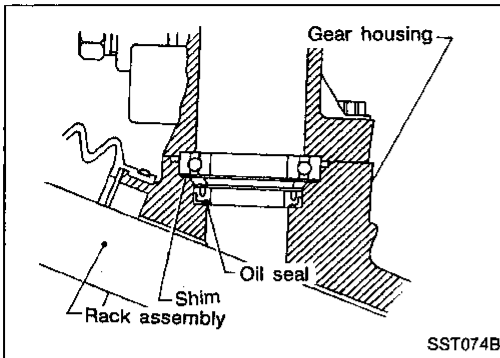


8. Coat seal lip of new pinion oil seal with multi-purpose grease. Then install it to pinion housing of gear housing with a suitable tool.

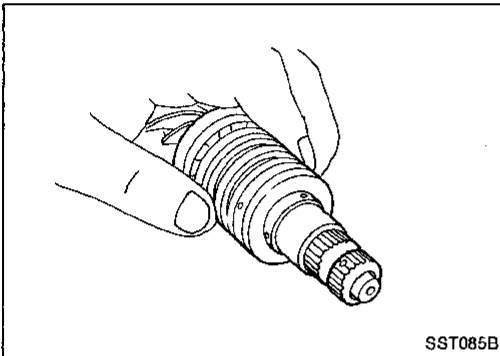
Make sure lip of oil seal faces up when installed.

POWER STEERING GEAR AND LINKAGE

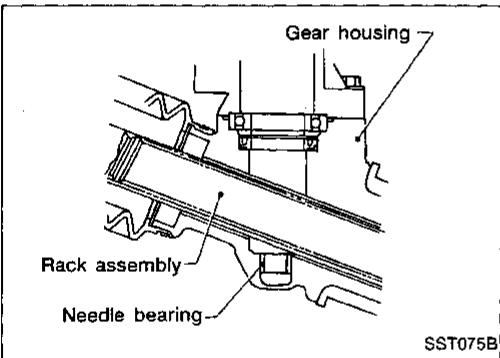
Assembly (Cont'd)



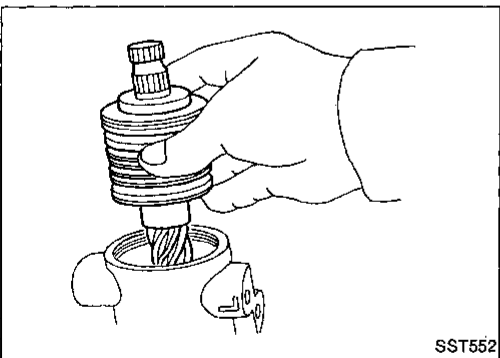
9. Install pinion bearing adjusting shim(s).
 - Whenever pinion assembly, gear housing and rear housing are disassembled, replace shim(s) with new ones. Always use the same number of shim(s) when replacing.



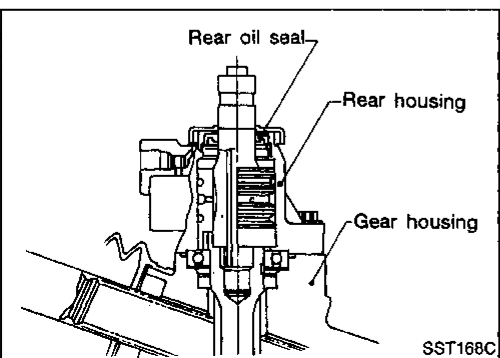
10. Install new pinion seal ring (made of Teflon) on pinion gear assembly.
 - Using a heat gun, heat pinion seal ring to approximately 40°C (104°F) before installing it onto pinion gear assembly.
 - Make sure pinion seal ring is properly settled in valve groove.



11. Apply a coat of multi-purpose grease to needle bearing roller and oil seal lip.



12. Install pinion assembly to rear housing.
Be careful not to damage pinion oil seal.



13. Apply a coat of multi-purpose grease to new rear oil seal lip before installing rear housing.

GI

MA

EM

LC

EC

FE

CL

MT

AT

FA

RA

BR

ST

BF

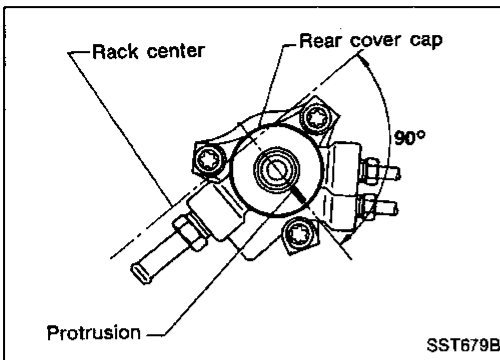
HA

EL

IDX

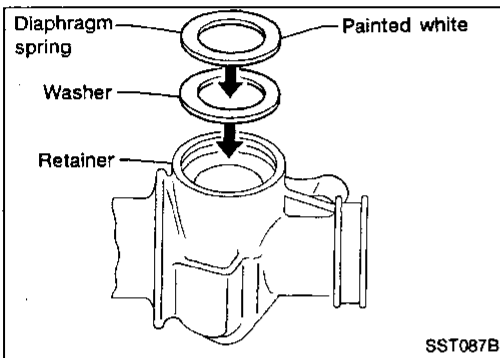
POWER STEERING GEAR AND LINKAGE

Assembly (Cont'd)

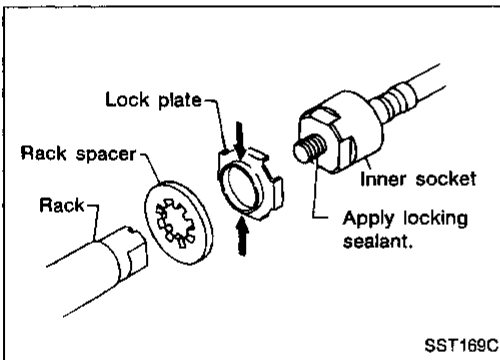


14. Ensure that the rack is centralized. Install rear cover cap so that protrusion of rear housing cover is positioned as shown in figure.

Be careful not to damage worm ring and oil seal.



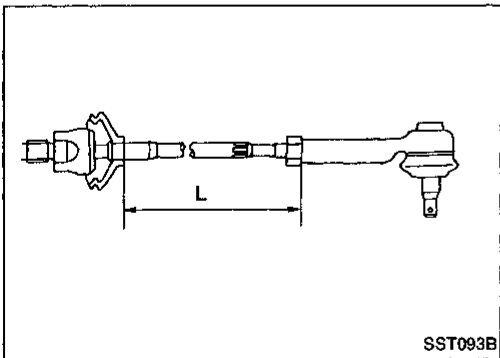
15. Install diaphragm spring into gear housing.
- Always install retainer, spring washer and diaphragm spring in that order.
 - Make sure convex end (painted white) of diaphragm spring faces outward when installing.
16. Install retainer spring and adjusting screw temporarily.



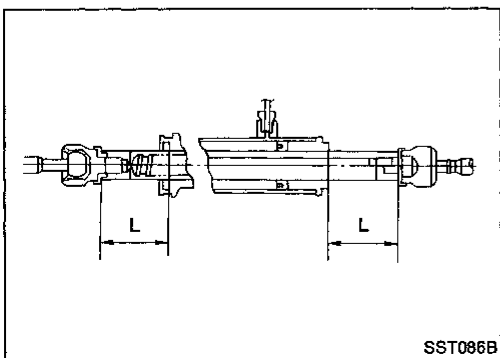
17. Install new lock plate.
- Attach lock plate to side rod inner socket .
 - Apply locking sealant to inner socket threads .
- Screw inner socket into rack and tighten to specified torque.
- Clinch two places of lock plate at rack's groove.

CAUTION:

To prevent scratching the boot, remove burrs from lock plate.



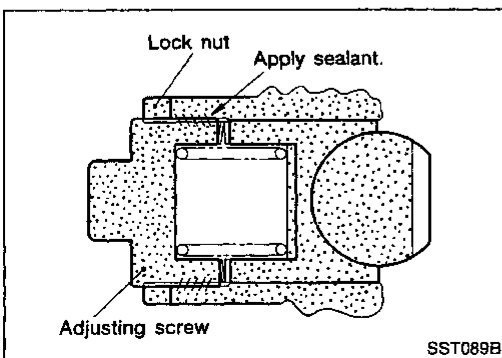
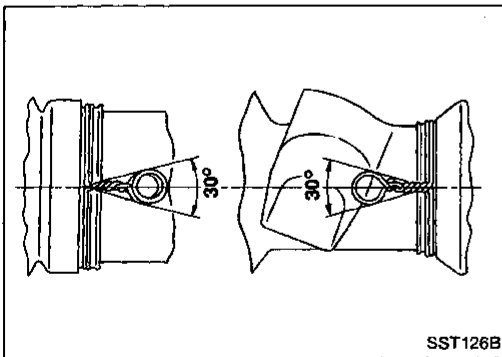
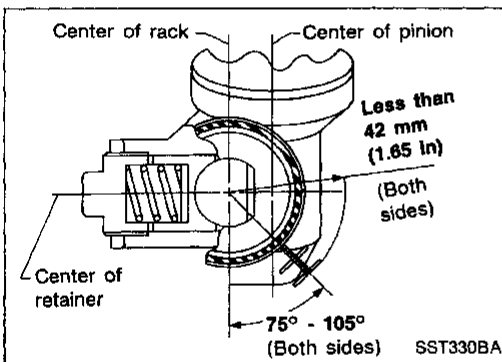
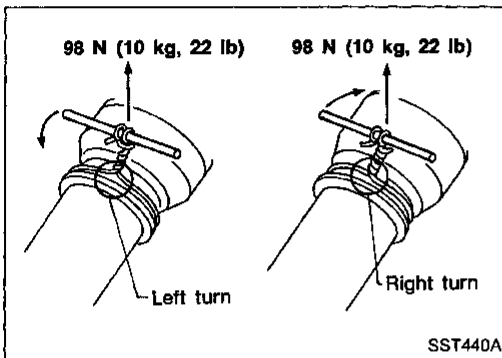
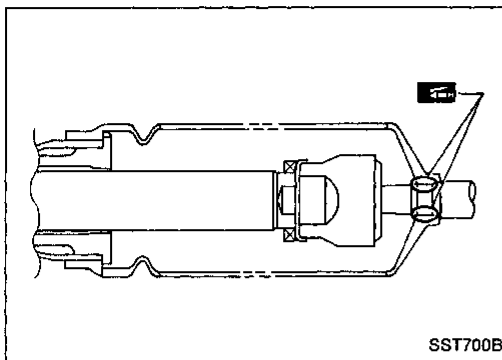
18. Tighten outer socket lock nut.
- Tie-rod length "L":**
Refer to SDS (ST-24).



19. Measure rack stroke.
- Rack stroke "L":**
Refer to SDS (ST-25).

POWER STEERING GEAR AND LINKAGE

Assembly (Cont'd)



20. Before installing boot, coat the contact surfaces between boot and tie-rod with grease.

21. Install boot clamps.

- To install, wrap boot clamp around boot groove twice. Use a screwdriver to tighten clamps. Twist rings at both ends 4 to 4-1/2 turns while pulling them with a force of approx. 98 N (10 kg, 22 lb).
- Twist boot clamp in the direction shown in figure at left.

- Install boot clamps so they are behind the gear housing when it is attached to the vehicle. (This will prevent interference with other parts.)

- After twisting boot clamp, bend twisted and diagonally so it does not contact boot.

Adjustment

Adjust pinion rotating torque as follows:

1. Set rack to the neutral position without fluid in the gear.
2. Coat the adjusting screw with locking sealant and screw it in.
3. Lightly tighten lock nut.
4. Tighten adjusting screw to a torque of 4.9 to 5.9 N·m (50 to 60 kg-cm, 43 to 52 in-lb).
5. Loosen adjusting screw, then retighten it to 0.2 N·m (2 kg-cm, 1.7 in-lb).

GI

MA

EM

LC

EC

FE

CL

MT

AT

FA

RA

BR

ST

BF

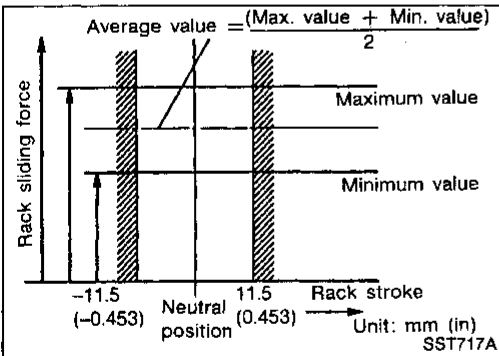
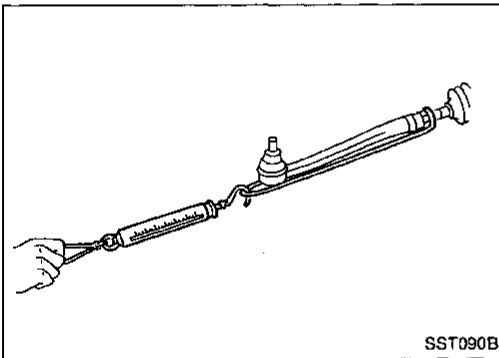
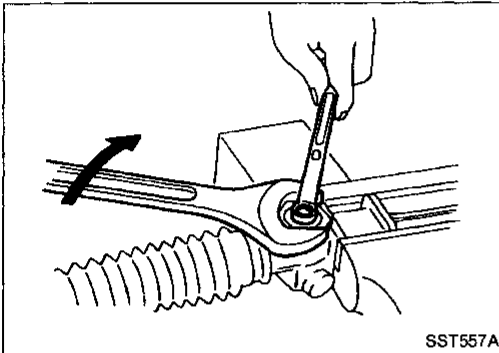
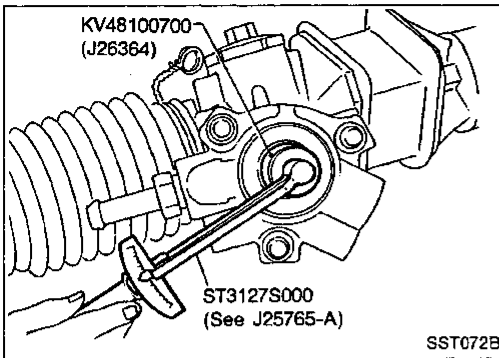
HA

EL

IDX

POWER STEERING GEAR AND LINKAGE

Adjustment (Cont'd)



6. Move rack over its entire stroke several times.
7. Measure pinion rotating torque within the range of 180° from neutral position.
Stop the gear at the point of maximum torque.
8. Loosen adjusting screw, then retighten it to 4.9 N·m (50 kg-cm, 43 in-lb).
9. Loosen adjusting screw by 40° to 60°.

10. Prevent adjusting screw from turning, and tighten lock nut to specified torque.

11. Check rack sliding force on vehicle as follows:
 - a. Install steering gear onto vehicle, but do not connect tie-rod to knuckle arm.
 - b. Connect all piping and fill with steering fluid.
 - c. Start engine and bleed air completely.
 - d. Disconnect steering column lower joint from the gear.
 - e. Keep engine at idle and make sure steering fluid has reached normal operating temperature.
 - f. Pull tie-rod slowly to move it from neutral position to ± 11.5 mm (± 0.453 in) at speed of 3.5 mm (0.138 in)/s. Check that rack sliding force is within specification.

Rack sliding force:

Average force

108 - 284 N (11 - 29 kg, 24 - 64 lb)

Maximum force deviation

98 N (10 kg, 22 lb)

- g. Check sliding force outside above range.

Rack sliding force:

Maximum sliding force

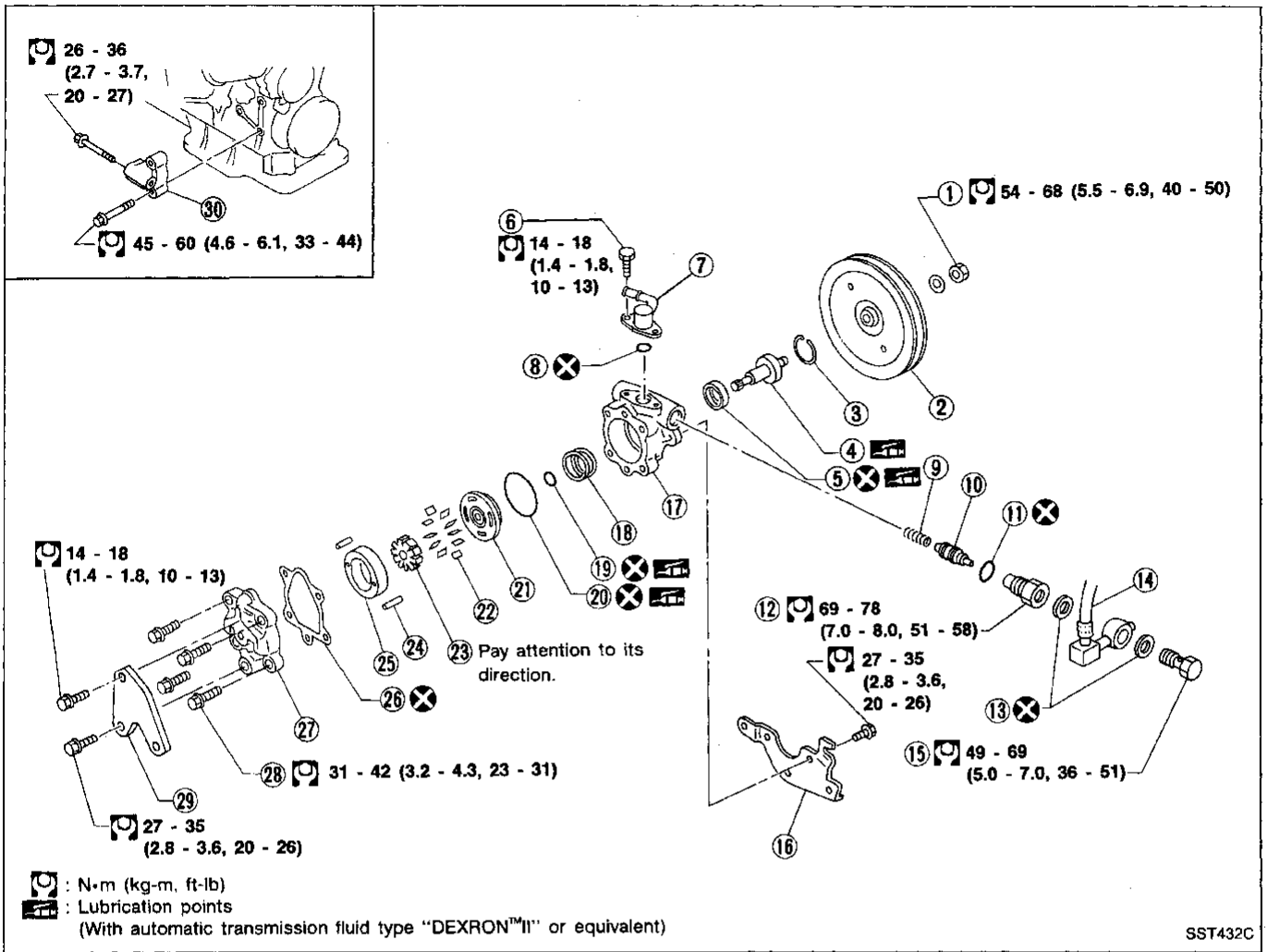
294 N (30 kg, 66 lb)

Maximum force deviation

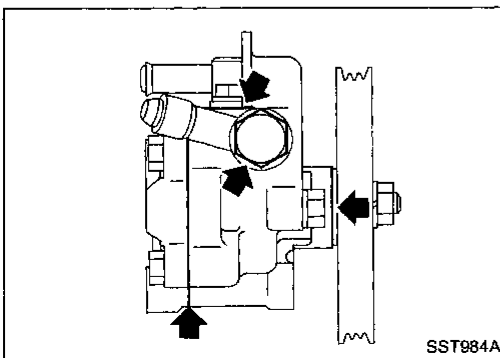
147 N (15 kg, 33 lb)

- If rack sliding force is not within specification, readjust by repeating adjustment procedure from the beginning.
- If rack sliding force is still out of specification after readjustment, gear assembly needs to be replaced.

POWER STEERING OIL PUMP



- | | | |
|----------------------|------------------|-----------------------------------|
| ① Nut | ⑪ O-ring | ⑳ Front side plate |
| ② Pulley | ⑫ Connector | ㉑ Vane |
| ③ Snap ring | ⑬ Washer | ㉒ Rotor |
| ④ Drive shaft | ⑭ Hose | ㉓ Pin |
| ⑤ Oil seal | ⑮ Connector bolt | ㉔ Cam ring |
| ⑥ Bolt | ⑯ Bracket | ㉕ Gasket |
| ⑦ Suction pipe | ⑰ Front housing | ㉖ Rear housing |
| ⑧ O-ring | ⑱ Spring | ㉗ Bolt |
| ⑨ Spring | ㉀ O-ring | ㉘ Bracket |
| ⑩ Flow control valve | | ㉙ Power steering oil pump bracket |



Pre-disassembly Inspection

Disassemble the power steering oil pump only if the following items are found.

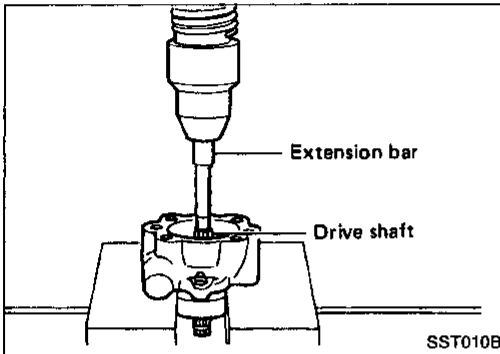
- Oil leak from any point shown in the figure
- Deformed or damaged pulley
- Poor performance

POWER STEERING OIL PUMP

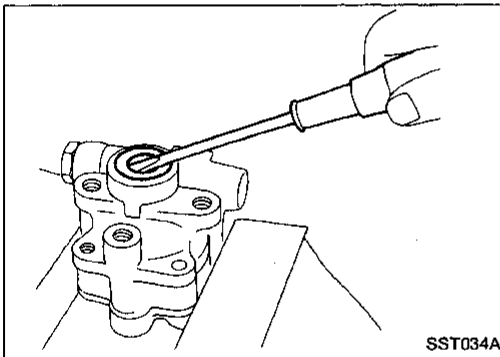
Disassembly

CAUTION:

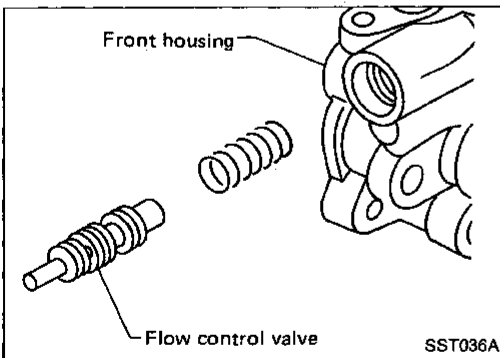
- Parts which can be disassembled are strictly limited. Never disassemble parts other than those specified.
- Disassemble in as clean a place as possible.
- Clean your hands before disassembly.
- Do not use rags; use nylon cloths or paper towels.
- Follow the procedures and cautions in the Service Manual.
- When disassembling and reassembling, do not let foreign matter enter or contact the parts.



- Remove snap ring, then draw drive shaft out.
Be careful not to drop drive shaft.



- Remove oil seal.
Be careful not to damage front housing.

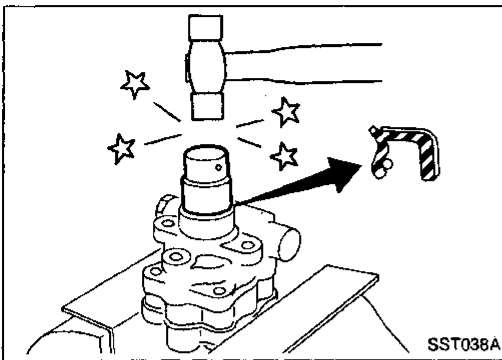


- Remove connector.
Be careful not to drop flow control valve.

Inspection

Inspect each component part for wear, deformation, scratches and cracks. If damage is found, replace the part.

POWER STEERING OIL PUMP



Assembly

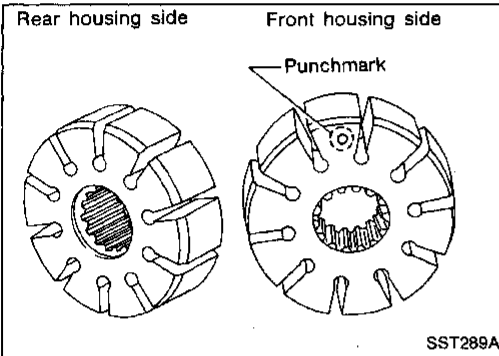
Assemble oil pump, noting the following instructions.

- Make sure O-rings and oil seal are properly installed.
- Always install new O-rings and oil seal.
- Be careful of oil seal direction.
- Cam ring, rotor and vanes must be replaced as a set if necessary.
- Coat each part with ATF when assembling.

GI

MA

EM



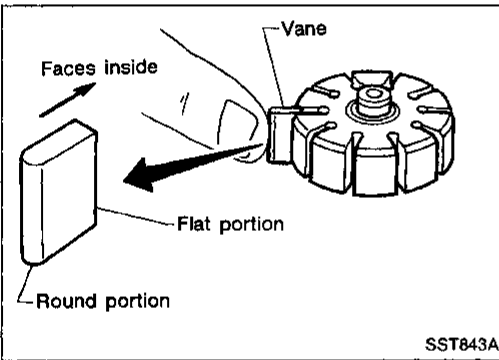
- Pay attention to the direction of rotor.

LC

EC

FE

CL



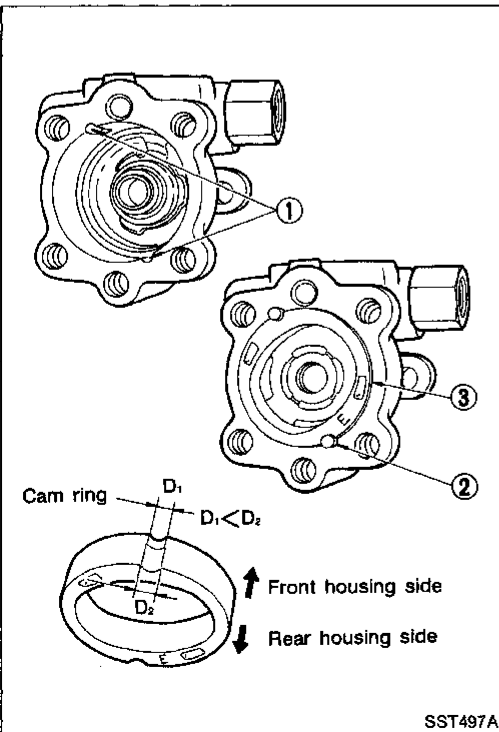
- When assembling vanes to rotor, rounded surfaces of vanes must face cam ring side.

MT

AT

FA

RA



- Insert pin ② into pin groove ① of front housing and front side plate. Then install cam ring ③ as shown at left.

BR

ST

BF

HA

EL

IDX

SERVICE DATA AND SPECIFICATIONS (SDS)

General Specifications

Applied model	All
Steering model	Power steering
Steering gear type	PR26AC
Steering overall gear ratio	17.7
Turns of steering wheel (Lock to lock)	2.9
Steering column type	Collapsible, tilt

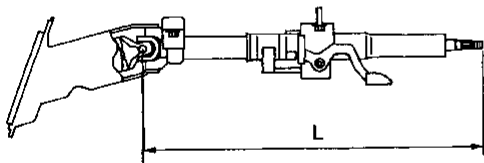
Inspection and Adjustment

GENERAL

Steering wheel axial play mm (in)	0 (0)
Steering wheel play mm (in)	35 (1.38) or less
Movement of gear housing mm (in)	± 2 (±0.08) or less

STEERING COLUMN

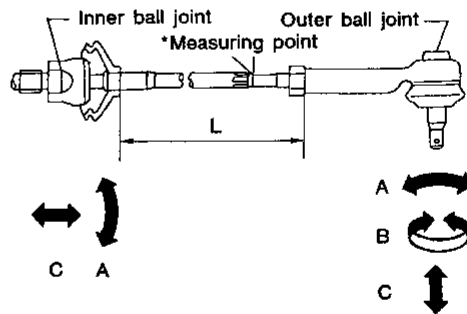
Steering column length "L" mm (in)	556.2 - 557.8 (21.90 - 21.96)
---------------------------------------	-------------------------------



SST583B

STEERING GEAR AND LINKAGE

Steering gear type	PR26AC
Tie-rod outer ball joint Swinging force at cotter pin hole "A" N (kg, lb)	6.9 - 63.7 (0.7 - 6.5, 1.5 - 14.3)
Rotating torque "B" N·m (kg-cm, in-lb)	0.3 - 2.9 (3 - 30, 2.6 - 26.0)
Axial end play limit "C" mm (in)	0.5 (0.020) or less
Tie-rod inner ball joint Swinging force* "A" N (kg, lb)	5.69 - 51.29 (0.58 - 5.23, 1.28 - 11.53)
Axial end play limit "C" mm (in)	0 (0)
Tie-rod standard length "L" mm (in)	181.1 (7.13)



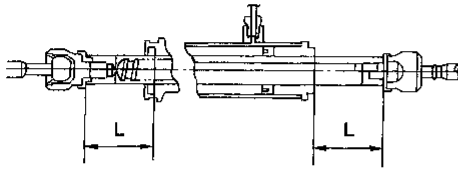
SST114C

SERVICE DATA AND SPECIFICATIONS (SDS)

Inspection and Adjustment (Cont'd)

STEERING GEAR AND LINKAGE (Cont'd)

Steering gear type	PR26AC
Rack stroke "L" mm (in)	69.5 (2.736)



SST086B

Rack sliding force	N (kg, lb)	
Under normal operating oil pressure		
Range within ±11.5 mm (±0.453 in) from the neutral position at rack speed of 3.5 mm (0.138 in)/s		108 - 284 (11 - 29, 24 - 64)
Average force		
Maximum force deviation		98 (10, 22)
Except above range		
Maximum sliding force		294 (30, 66)
Maximum force deviation		147 (15, 33)
Retainer adjustment		
Adjusting screw		
Initial tightening torque N·m (kg-cm, in-lb)		4.9 - 5.9 (50 - 60, 43 - 52)
Retightening torque after loosening		0.2 (2, 1.7)
Tightening torque after gear has settled		4.9 (50, 43)
Returning angle	degree	40° - 60°
Steering wheel turning force (Measured at one full turn from the neutral position)	N (kg, lb)	39 (4, 9) or less
Fluid capacity (Approximate)	ℓ (US qt, Imp qt)	0.9 (1, 3/4)
Oil pump maximum pressure	kPa (kg/cm ² , psi)	7,649 - 8,238 (78 - 84, 1,109 - 1,194)

GI
MA
EM
LC
EC
FE
CL
MT
AT
FA
RA
BR
ST
BF
HA
EL
IDX