

ACCELERATOR CONTROL, FUEL & EXHAUST SYSTEMS

SECTION FE

- GI
- MA
- EM
- LC
- EC
- FE**
- CL
- MT
- AT
- AX
- SU
- BR
- ST
- RS
- BT
- HA
- SC
- EL
- IDX

CONTENTS

PREPARATION	2	FUEL SYSTEM	5
Special Service Tool	2	Removal and Installation	5
Commercial Service Tools	2	FUEL PUMP AND GAUGE	6
ACCELERATOR CONTROL SYSTEM	3	EXHAUST SYSTEM	8
Removal and Installation	3	Removal and Installation	8
Adjusting Accelerator Wire	3		

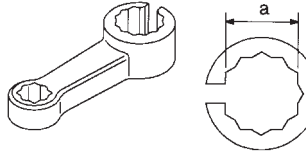
PREPARATION

Special Service Tool

Special Service Tool

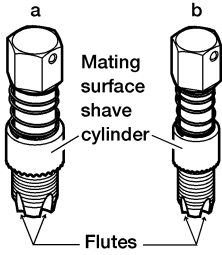
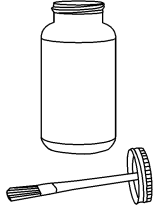
NCFE0006

The actual shapes of Kent-Moore tools may differ from those of special service tools illustrated here.

Tool number (Kent-Moore No.) Tool name	Description
KV10114400 (J-38365) Heated oxygen sensor wrench	 <p data-bbox="1031 331 1421 415">Loosening or tightening front and rear heated oxygen sensors a: 22 mm (0.87 in)</p> <p data-bbox="418 506 479 527">NT636</p>

Commercial Service Tools

NCFE0007

Tool number (Kent-Moore No.) Tool name	Description
(J-43897-18) (J-43897-12) Oxygen sensor thread cleaner	 <p data-bbox="1031 1050 1469 1249">Reconditioning the exhaust system threads before installing a new oxygen sensor (Use with anti-seize lubricant shown below.) a: J-43897-18 [18 mm (0.71 in) dia.] for zirconia oxygen sensor b: J-43897-12 [12 mm (0.47 in) dia.] for titania oxygen sensor</p> <p data-bbox="402 1327 479 1348">AEM488</p>
Anti-seize lubricant (Permatex 133AR or equivalent meeting MIL specification MIL-A-907)	 <p data-bbox="1031 1365 1469 1449">Lubricating oxygen sensor thread cleaning tool when reconditioning exhaust system threads</p> <p data-bbox="402 1642 479 1663">AEM489</p>

Removal and Installation

NCFE0002

CAUTION:

- When removing accelerator wire, make a mark to indicate lock nut's initial position.
- Check that throttle valve opens fully when accelerator pedal is fully depressed. Also check that it returns to idle position when pedal is released.
- Check accelerator control parts for improper contact with any adjacent parts.
- When connecting accelerator wire, be careful not to twist or scratch its inner wire.

GI

MA

EM

LC

EC

FE

CL

MT

AT

AX

SU

BR

ST

RS

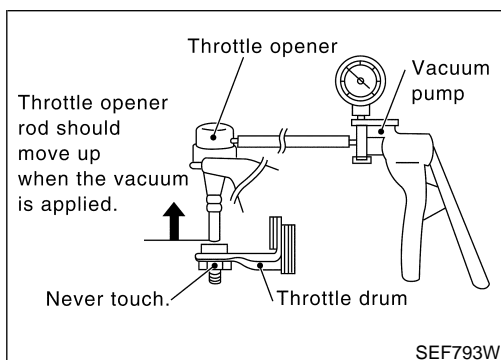
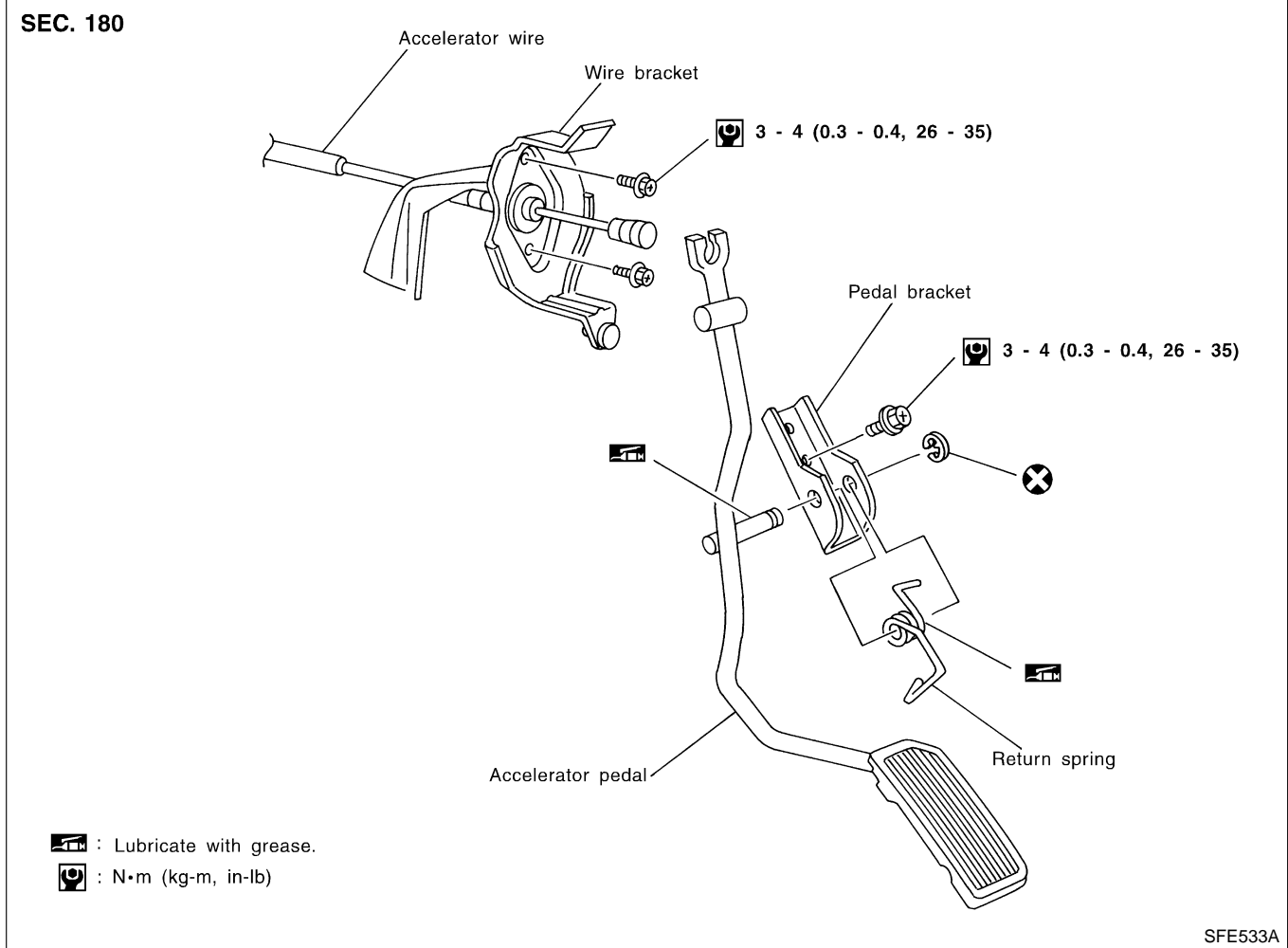
BT

HA

SC

EL

IDX



Adjusting Accelerator Wire

NCFE0003

1. Remove the vacuum hose connected to the throttle opener.
2. Connect suitable vacuum hose to vacuum pump as shown left.
3. Apply vacuum [more than -40.0 kPa (-300 mmHg, -11.81 inHg)] until the throttle drum becomes free from the rod of the throttle opener.

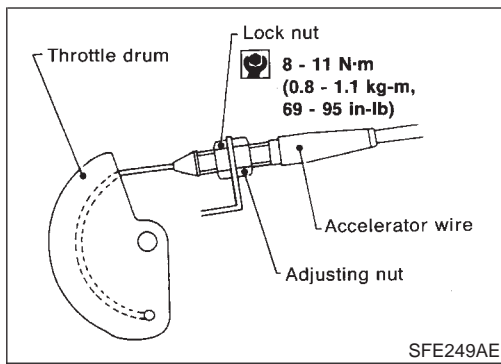
Make sure that there is clearance between the throttle drum and rod.

If NG, refer to EC-106, "Basic Inspection".

If OK, go to following step.

ACCELERATOR CONTROL SYSTEM

Adjusting Accelerator Wire (Cont'd)



4. Loosen lock nut.
5. Tighten accelerator adjusting nut until throttle drum starts to move.
6. From that position, turn back adjusting nut 1.5 to 2 turns, and secure lock nut.
7. Release vacuum from the throttle opener.
8. Remove vacuum pump and vacuum hose from the throttle opener.
9. Reinstall the original vacuum hose to the throttle opener securely.

Removal and Installation

NCFE0004

WARNING:

When replacing fuel line parts, be sure to observe the following:

- Put a “CAUTION: INFLAMMABLE” sign in workshop.
- Do not smoke while servicing fuel system. Keep open flames and sparks away from work area.
- Be sure to furnish the workshop with a CO₂ fire extinguisher.

CAUTION:

- Before removing fuel line parts, carry out the following procedures:
 - a) Put drained fuel in an explosion-proof container and put lid on securely.
 - b) Release fuel pressure from fuel line. Refer to MA-19, “Changing Fuel Filter”.
 - c) Disconnect battery ground cable.
 - Always replace O-ring with new ones.
 - Do not kink or twist hose and tube when they are installed.
 - Do not tighten hose clamps excessively to avoid damaging hoses.
 - After installation, run engine and check for fuel leaks at connections.

GI

MA

EM

LC

EC

FE

CL

MT

AT

AX

SU

BR

ST

RS

BT

HA

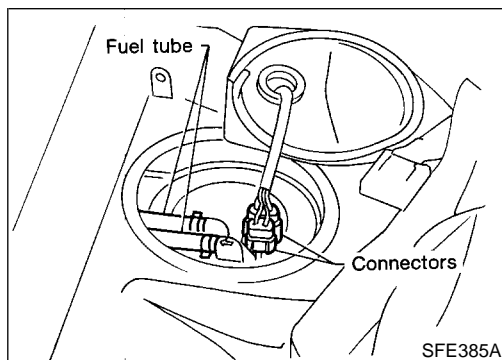
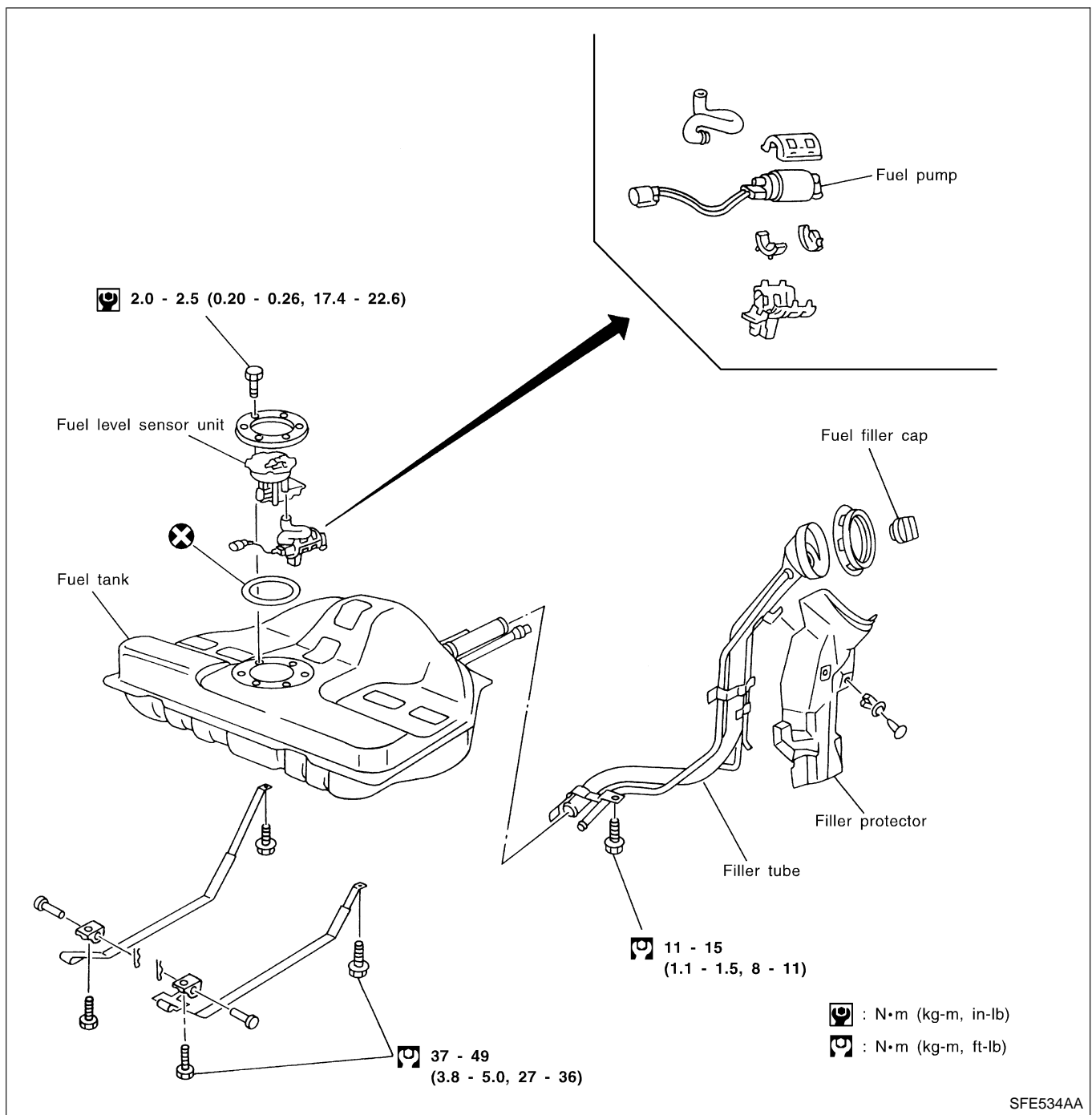
SC

EL

IDX

FUEL SYSTEM

Removal and Installation (Cont'd)



FUEL PUMP AND GAUGE

Removal

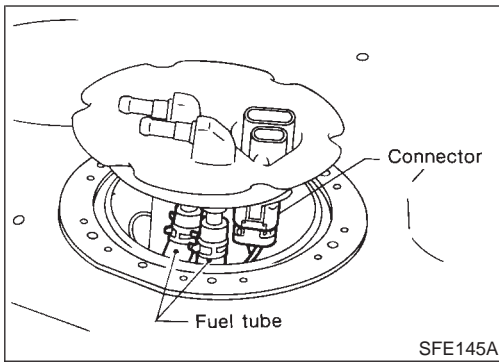
1. Release fuel pressure. Refer to EC-50, "Fuel Pressure Release".
2. Remove rear seat back and bottom. Refer to BT-42, "Removal and Installation".
3. Remove inspection hole cover located under the rear seat.
4. Disconnect fuel tubes and electrical connectors.
5. Remove the six screws.

NCFE0004S02

NCFE0004S0201

FUEL SYSTEM

Removal and Installation (Cont'd)



6. Disconnect fuel tubes and connector, then remove fuel level sensor unit.

GI

MA

EM

LC

7. Remove fuel pump with chamber.
 - a. Pull up the front of the chamber.
 - b. Slide chamber forward.
8. Remove fuel pump from chamber.

EC

FE

CL

MT

Installation

To install, reverse the removal procedure.

NCFE0004S0202

AT

CAUTION:

- Tighten bolts to specified torque.
 - ☑ : 2.0 - 2.5 N·m (0.20 - 0.26 kg-m, 17.4 - 22.6 in-lb)
- Always replace O-ring with a new one.
- After installation, run engine and check for leaks at connections.

AX

SU

BR

ST

RS

BT

HA

SC

EL

IDX

Removal and Installation

NCFE0005

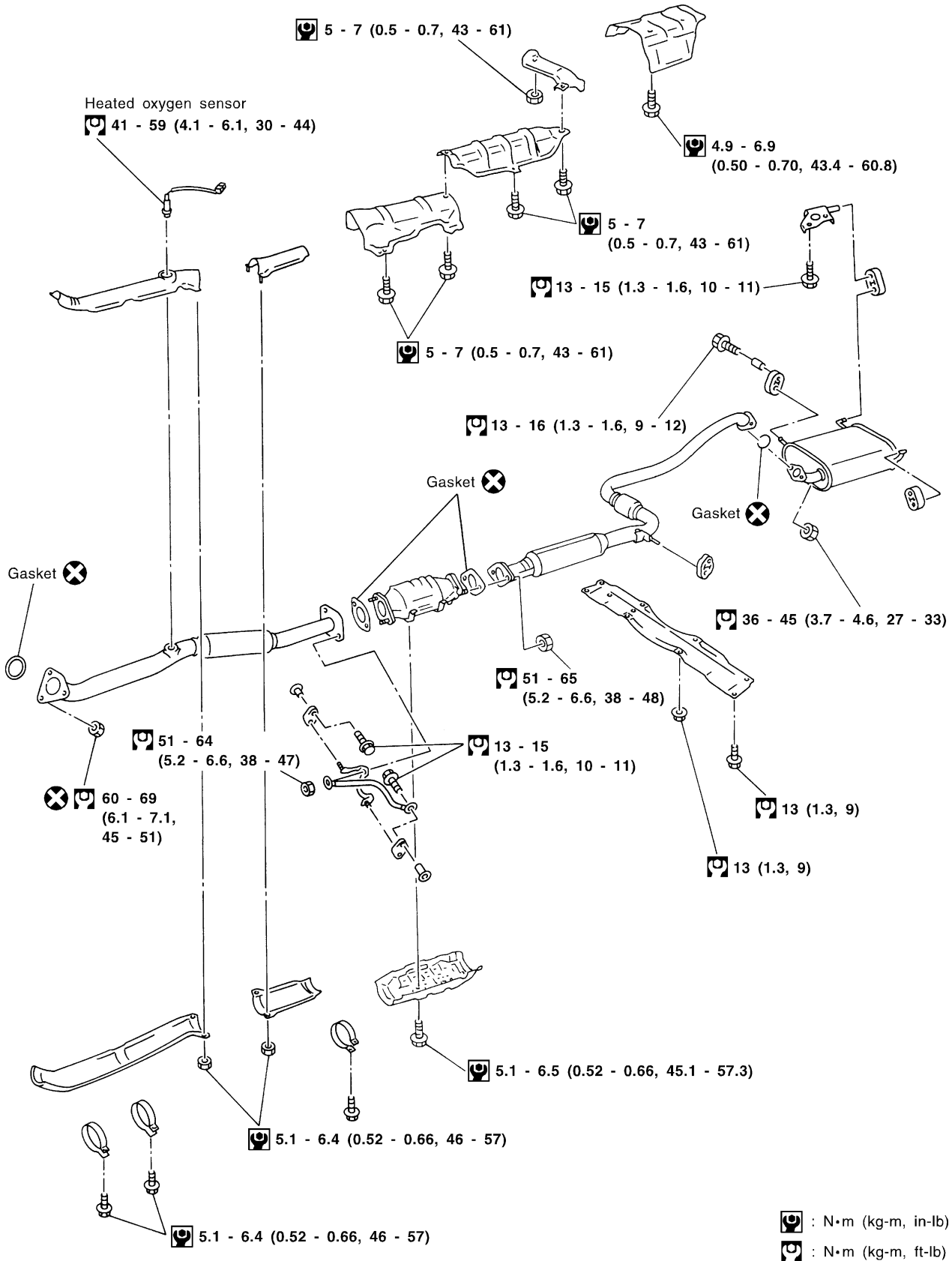
CAUTION:

- Always replace exhaust gaskets with new ones when reassembling.
- With engine running, check all tube connections for exhaust gas leaks, and entire system for unusual noises.
- Check to ensure that mounting brackets and mounting insulators are installed properly and free from undue stress. Improper installation could result in excessive noise or vibration.
- Discard any heated oxygen sensor which has been dropped from a height of more than 0.5 m (19.7 in) onto a hard surface such as a concrete floor; use a new one.
- Before installing a new oxygen sensor, clean exhaust system threads using oxygen sensor thread cleaner tool, J-43897-18 or J-43897-12, and apply anti-seize lubricant.
- Do not overtorque the oxygen sensor. Doing so may cause damage to the oxygen sensor, resulting in the MIL coming on.

EXHAUST SYSTEM

Removal and Installation (Cont'd)

SEC. 200•208



GI

MA

EM

LC

EC

FE

CL

MT

AT

AX

SU

BR

ST

RS

BT

HA

SC

EL

IDX

SFE588A

NOTES