

# HEATER & AIR CONDITIONER

## SECTION HA

### CONTENTS

<div style="border: 1px solid black; width: 150px; height: 15px; margin: 0 auto;"></div> <b>AUTO</b> <div style="border: 1px solid black; width: 150px; height: 15px; margin: 0 auto;"></div>		
<b>PRECAUTIONS</b> .....	3	
Supplemental Restraint System (SRS) "AIR BAG" and "SEAT BELT PRE-TENSIONER" .....	3	
Precautions for Working with HFC-134a (R-134a) .....	3	
General Refrigerant Precautions .....	4	
Precautions for Leak Detection Dye .....	4	
Identification .....	5	
Precautions for Refrigerant Connection .....	5	
Precautions for Servicing Compressor .....	7	
Precautions for Service Equipment .....	7	
Wiring Diagrams and Trouble Diagnosis .....	9	
<b>PREPARATION</b> .....	10	
Special Service Tools .....	10	
HFC-134a (R-134a) Service Tools and Equipment .....	11	
<b>DESCRIPTION</b> .....	14	
Refrigeration System .....	14	
Component Layout .....	15	
Introduction .....	16	
Features .....	16	
Overview of Control System .....	19	
Control Operation .....	19	
Discharge Air Flow .....	21	
<b>TROUBLE DIAGNOSES</b> .....	23	
Component Location .....	23	
Circuit Diagram .....	25	
Wiring Diagram - A/C, A - .....	26	
Auto Amp. Terminals and Reference Value .....	29	
Self-diagnosis .....	31	
How to Perform Trouble Diagnoses for Quick and Accurate Repair .....	41	
Operational Check .....	42	
A/C System .....	45	
Mode Door Motor .....	48	
Air Mix Door Motor .....	54	
Intake Door Motor .....	58	
Blower Motor .....	65	
		Magnet Clutch .....
		Insufficient Cooling .....
		Insufficient Heating .....
		Noise .....
		Self-diagnosis .....
		Memory Function .....
		ECON (ECONOMY) Mode .....
		Ambient Sensor Circuit .....
		In-vehicle Sensor Circuit .....
		Sunload Sensor Circuit .....
		Intake Sensor Circuit .....
		Air Mix Door Motor PBR Circuit .....
		<b>SERVICE PROCEDURE</b> .....
		HFC-134a (R-134a) Service Procedure .....
		Maintenance of Lubricant Quantity in Compressor .....
		Compressor .....
		Compressor .....
		Compressor Clutch .....
		Thermal Protector .....
		Heater Unit (Heater Core) .....
		Blower Unit .....
		Cooling Unit (A/C Evaporator) .....
		Refrigerant Lines .....
		Belt .....
		Idle Air Control Valve (IACV) - Auxiliary Air Control (AAC) Valve .....
		Ventilation Air Filter .....
		<b>SERVICE DATA AND SPECIFICATIONS (SDS)</b> .....
		Auto .....
<div style="border: 1px solid black; width: 150px; height: 15px; margin: 0 auto;"></div> <b>MANUAL</b> <div style="border: 1px solid black; width: 150px; height: 15px; margin: 0 auto;"></div>		
<b>PRECAUTIONS</b> .....	124	
Supplemental Restraint System (SRS) "AIR BAG" and "SEAT BELT PRE-TENSIONER" .....	124	
Precautions for Working with HFC-134a (R-134a) .....	124	
General Refrigerant Precautions .....	125	
Precautions for Leak Detection Dye .....	125	

GI  
MA  
EM  
LC  
EC  
FE  
CL  
MT  
AT  
AX  
SU  
BR  
ST  
RS  
BT  
HA  
SC  
EL  
IDX

# CONTENTS (Cont'd)

Identification.....	126	Air Mix Door.....	162
Precautions for Refrigerant Connection .....	126	Blower Motor.....	167
Precautions for Servicing Compressor.....	128	Magnet Clutch.....	174
Precautions for Service Equipment.....	128	Insufficient Cooling .....	182
Wiring Diagrams and Trouble Diagnosis.....	130	Insufficient Heating .....	189
<b>PREPARATION</b> .....	131	Noise.....	190
Special Service Tools .....	131	<b>SERVICE PROCEDURE</b> .....	191
HFC-134a (R-134a) Service Tools and		HFC-134a (R-134a) Service Procedure .....	191
Equipment.....	132	Maintenance of Lubricant Quantity in	
<b>DESCRIPTION</b> .....	135	Compressor .....	193
Refrigeration System .....	135	Compressor .....	196
Component Layout .....	136	Compressor Clutch .....	197
Control Operation .....	137	Thermal Protector .....	200
Discharge Air Flow.....	138	Heater Unit (Heater Core) .....	200
System Description.....	139	Blower Unit .....	201
<b>TROUBLE DIAGNOSES</b> .....	140	Cooling Unit (A/C Evaporator).....	202
Component Location.....	140	Refrigerant Lines .....	203
Circuit Diagram - Air Conditioner.....	142	Belt.....	208
Wiring Diagram - A/C, M - .....	143	Idle Air Control Valve (IACV) - Auxiliary Air	
How to Perform Trouble Diagnoses for Quick		Control (AAC) Valve .....	208
and Accurate Repair .....	147	Ventilation Air Filter.....	208
Operational Check.....	148	<b>SERVICE DATA AND SPECIFICATIONS (SDS)</b> .....	209
A/C System.....	150	Manual .....	209
Intake Door .....	152		
Mode Door Motor.....	156		

# PRECAUTIONS

AUTO

Supplemental Restraint System (SRS) "AIR BAG" and "SEAT BELT PRE-TENSIONER"

## Supplemental Restraint System (SRS) "AIR BAG" and "SEAT BELT PRE-TENSIONER"

NCHA0181

The Supplemental Restraint System such as "AIR BAG" and "SEAT BELT PRE-TENSIONER" used along with a seat belt, helps to reduce the risk or severity of injury to the driver and front passenger for certain types of collision. The SRS system composition which is available to INFINITI G20 is as follows:

- For a frontal collision  
The Supplemental Restraint System consists of driver air bag module (located in the center of the steering wheel), front passenger air bag module (located on the instrument panel on passenger side), seat belt pre-tensioners, a diagnosis sensor unit, warning lamp, wiring harness and spiral cable.
- For a side collision  
The Supplemental Restraint System consists of side air bag module (located in the outer side of front seat), satellite sensor, diagnosis sensor unit (one of components of air bags for a frontal collision), wiring harness, warning lamp (one of components of air bags for a frontal collision).

Information necessary to service the system safely is included in the **RS** section of this Service Manual.

### WARNING:

- To avoid rendering the SRS inoperative, which could increase the risk of personal injury or death in the event of a collision which would result in air bag inflation, all maintenance must be performed by an authorized INFINITI dealer.
- Improper maintenance, including incorrect removal and installation of the SRS, can lead to personal injury caused by unintentional activation of the system. For removal of Spiral Cable and Air Bag Module, see the RS section.
- Do not use electrical test equipment on any circuit related to the SRS unless instructed to in this Service Manual. Spiral cable and wiring harnesses (except "SEAT BELT PRE-TENSIONER") covered with yellow insulation tape either just before the harness connectors or for the complete harness are related to the SRS.

## Precautions for Working with HFC-134a (R-134a)

NCHA0002

### WARNING:

- CFC-12 (R-12) refrigerant and HFC-134a (R-134a) refrigerant are not compatible. If the refrigerants are mixed and compressor failure is likely to occur, refer to "CONTAMINATED REFRIGERANT" below. To determine the purity of HFC-134a (R-134a) in the vehicle and recovery tank, use Refrigerant Recovery/Recycling Recharging equipment (ACR4) (J-39500-INF) and Refrigerant Identifier.
- Use only specified lubricant for the HFC-134a (R-134a) A/C system and HFC-134a (R-134a) components. If lubricant other than that specified is used, compressor failure is likely to occur.
- The specified HFC-134a (R-134a) lubricant rapidly absorbs moisture from the atmosphere. The following handling precautions must be observed:
  - a) When removing refrigerant components from a vehicle, immediately cap (seal) the component to minimize the entry of moisture from the atmosphere.
  - b) When installing refrigerant components to a vehicle, do not remove the caps (unseal) until just before connecting the components. Connect all refrigerant loop components as quickly as possible to minimize the entry of moisture into system.
  - c) Only use the specified lubricant from a sealed container. Immediately reseal containers of lubricant. Without proper sealing, lubricant will become moisture saturated and should not be used.
  - d) Avoid breathing A/C refrigerant and lubricant vapor or mist. Exposure may irritate eyes, nose and throat. Remove R-134a from the A/C system, using certified service equipment meeting requirements of SAE J2210 (R-134a recycling equipment), or J2209 (R-134a recovery equipment). If accidental system discharge occurs, ventilate work area before resuming service. Additional health and safety information may be obtained from refrigerant and lubricant manufacturers.
  - e) Do not allow lubricant (Nissan A/C System Oil Type S) to come in contact with styrofoam parts. Damage may result.

### CONTAMINATED REFRIGERANT

NCHA0002S01

If a refrigerant other than pure R-134a is identified in a vehicle, your options are:

- Explain to the customer that environmental regulations prohibit the release of contaminated refrigerant into the atmosphere.

- Explain that recovery of the contaminated refrigerant could damage your service equipment and refrigerant supply.
- Suggest the customer return the vehicle to the location of previous service where the contamination may have occurred.
- If you choose to perform the repair, recover the refrigerant using only **dedicated equipment and containers. Do not recover contaminated refrigerant into your existing service equipment.** If your facility does not have dedicated recovery equipment, you may contact a local refrigerant product retailer for available service. This refrigerant must be disposed of in accordance with all federal and local regulations. In addition, replacement of all refrigerant system components on the vehicle is recommended.
- If the vehicle is within the warranty period, the air conditioner warranty is void. Please contact Nissan Customer Affairs for further assistance.

## General Refrigerant Precautions

NCHA0003

### WARNING:

- **Do not release refrigerant into the air. Use approved recovery/recycling equipment to capture the refrigerant every time an air conditioning system is discharged.**
- **Always wear eye and hand protection (goggles and gloves) when working with any refrigerant or air conditioning system.**
- **Do not store or heat refrigerant containers above 52°C (125°F).**
- **Do not heat a refrigerant container with an open flame; if container warming is required, place the bottom of the container in a warm pail of water.**
- **Do not intentionally drop, puncture, or incinerate refrigerant containers.**
- **Keep refrigerant away from open flames: poisonous gas will be produced if refrigerant burns.**
- **Refrigerant will displace oxygen, therefore be certain to work in well ventilated areas to prevent suffocation.**
- **Do not pressure test or leak test HFC-134a (R-134a) service equipment and/or vehicle air conditioning systems with compressed air during repair. Some mixtures of air and R-134a have been shown to be combustible at elevated pressures. These mixtures, if ignited, may cause injury or property damage. Additional health and safety information may be obtained from refrigerant manufacturers.**

## Precautions for Leak Detection Dye

NCHA0200

- The A/C system contains a fluorescent leak detection dye used for locating refrigerant leaks. An ultraviolet (UV) lamp is required to illuminate the dye when inspecting for leaks.
- Always wear fluorescence enhancing UV safety glasses to protect your eyes and enhance the visibility of the fluorescent dye.
- The fluorescent dye leak detector is not a replacement for an electronic refrigerant leak detector. The fluorescent dye leak detector should be used in conjunction with an electronic refrigerant leak detector (J-41995) to pin-point refrigerant leaks.
- For your safety and your Customer's satisfaction, read and follow all manufacturer's operating instructions and precautions prior to performing the work.
- A compressor shaft seal should not be repaired because of dye seepage. The compressor shaft seal should only be repaired after confirming the leak with an electronic refrigerant leak detector (J-41995).
- Always remove any dye from the leak area after repairs are complete to avoid a misdiagnosis during a future service.
- Do not allow dye to come into contact with painted body panels or interior components. If dye is spilled, clean immediately with the approved dye cleaner. Fluorescent dye left on a surface for an extended period of time cannot be removed.
- Do not spray the fluorescent dye cleaning agent on hot surfaces (engine exhaust manifold, etc.).
- Do not use more than one refrigerant dye bottle (1/4 ounce /7.4 cc) per A/C system.
- Leak detection dyes for R-134a and R12 A/C systems are different. Do not use R-134a leak detection dye in R-12 A/C system or R-12 leak detection dye in R-134a A/C systems or A/C system damage may result.
- The fluorescent properties of the dye will remain for over three (3) years unless a compressor failure occurs.

AIR CONDITIONER NISSAN		
REFRIGERANT	COMPRESSOR LUBRICANT	
TYPE (PART NO.)	HFC134a (R134a)	Nissan UV Luminous Oil Type S [KLHOO-PAGSO]
AMOUNT		
<p><b>CAUTION PRECAUTION</b></p> <ul style="list-style-type: none"> <li>REFRIGERANT UNDER HIGH PRESSURE.</li> <li>SYSTEM TO BE SERVICED BY QUALIFIED PERSONNEL.</li> <li>IMPROPER SERVICE METHODS MAY CAUSE PERSONAL INJURY.</li> <li>CONSULT SERVICE MANUAL.</li> <li>THIS AIR CONDITIONER SYSTEM COMPLIES WITH SAE J-639.</li> </ul> <p>Nissan Motor Co., Ltd., TOKYO, Japan 27090 6P102</p>		
SHA452F		

## Identification

### IDENTIFICATION LABEL FOR VEHICLE

Vehicles with factory installed fluorescent dye have this identification label on the under side of hood.

#### NOTE:

Vehicles with factory installed fluorescent dye have a green label.  
Vehicles without factory installed fluorescent dye have a blue label.

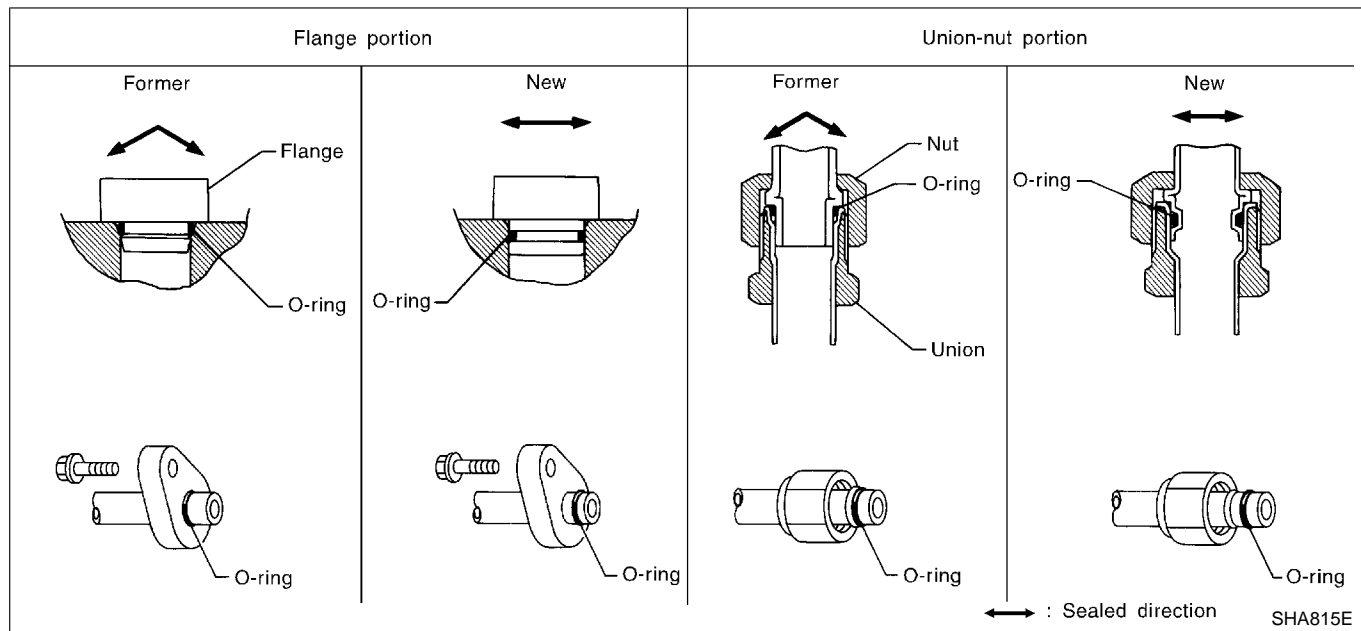
## Precautions for Refrigerant Connection

A new type refrigerant connection has been introduced to all refrigerant lines except the following location.

- Expansion valve to cooling unit

### FEATURES OF NEW TYPE REFRIGERANT CONNECTION

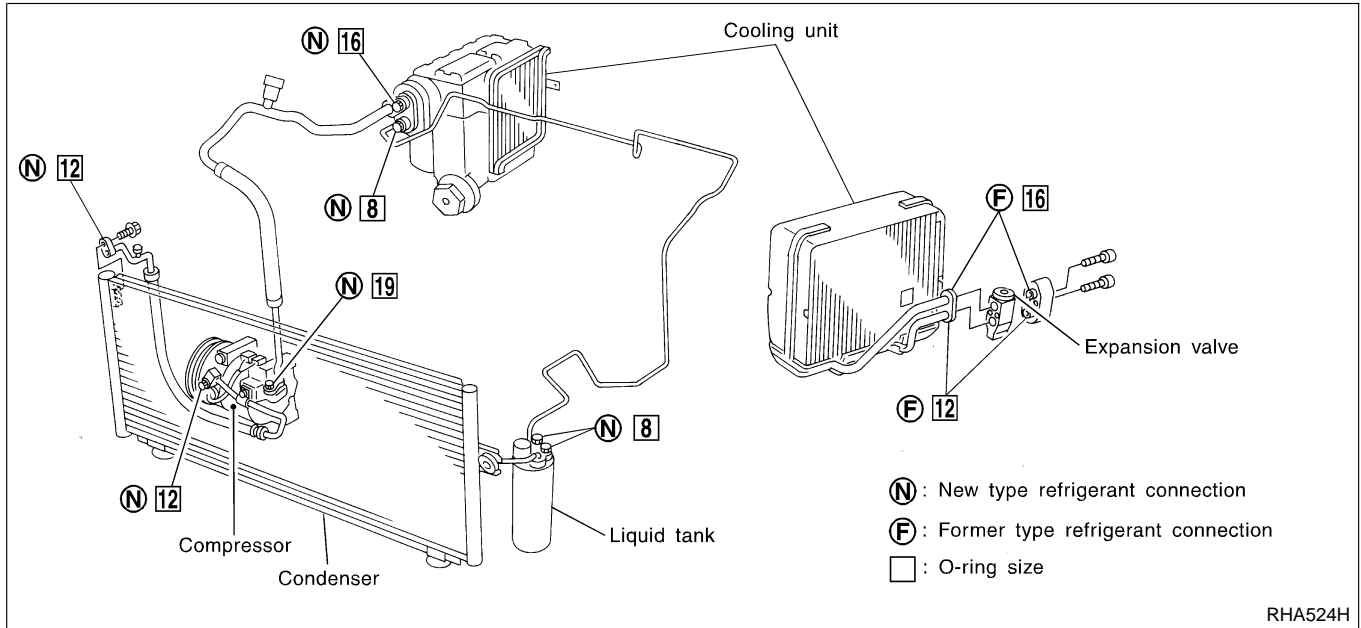
- The O-ring has been relocated. It has also been provided with a groove for proper installation. This eliminates the chance of the O-ring being caught in, or damaged by, the mating part. The sealing direction of the O-ring is now set vertically in relation to the contacting surface of the mating part to improve sealing characteristics.
- The reaction force of the O-ring will not occur in the direction that causes the joint to pull out, thereby facilitating piping connections.



GI  
MA  
EM  
LC  
EC  
FE  
CL  
MT  
AT  
AX  
SU  
BR  
ST  
RS  
BT  
HA  
SC  
EL  
IDX

O-RING AND REFRIGERANT CONNECTION

NCHA0004S02



RHA524H

**CAUTION:**

The new and former refrigerant connections in some systems use different O-ring configurations. Do not confuse O-rings since they are not interchangeable. If a wrong O-ring is installed, refrigerant will leak at, or around, the connection.

O-Ring Part Numbers and Specifications

NCHA0004S0201

	Connec-tion type	O-ring size	Part number	D mm (in)	W mm (in)
<p>SHA814E</p>	New	8	92471 N8210	6.8 (0.268)	1.85 (0.0728)
	New	12	92472 N8210	10.9 (0.429)	2.43 (0.0957)
	Former		92475 71L00	11.0 (0.433)	2.40 (0.0945)
	New	16	92473 N8210	13.6 (0.535)	2.43 (0.0957)
	Former		92475 72L00	14.3 (0.563)	2.30 (0.0906)
	New	19	92474 N8210	16.5 (0.650)	2.43 (0.0957)

**WARNING:**

Make sure all refrigerant is discharged into the recycling equipment and the pressure in the system is less than atmospheric pressure. Then gradually loosen the discharge side hose fitting and remove it.

**CAUTION:**

When replacing or cleaning refrigerant cycle components, observe the following.

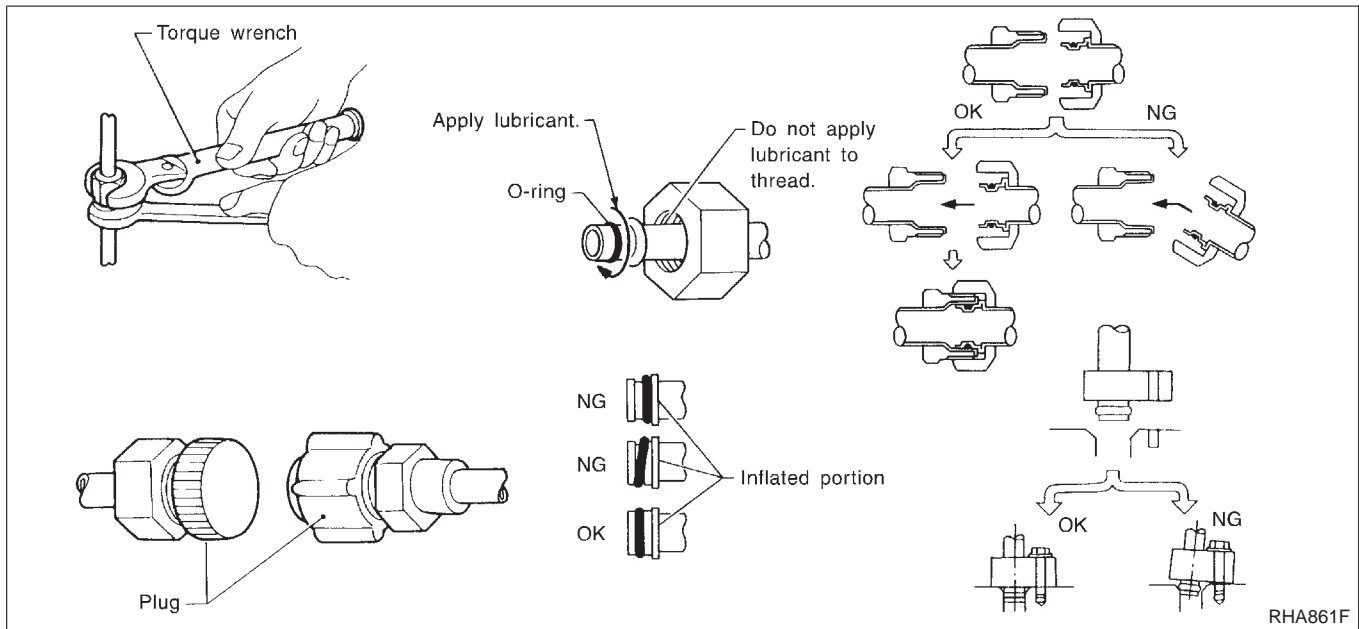
- When the compressor is removed, store it in the same position as it is when mounted on the car. Failure to do so will cause lubricant to enter the low pressure chamber.
- When connecting tubes, always use a torque wrench and a back-up wrench.
- After disconnecting tubes, immediately plug all openings to prevent entry of dirt and moisture.
- When installing an air conditioner in the vehicle, connect the pipes as the final stage of the operation. Do not remove the seal caps of pipes and other components until just before required for connection.
- Allow components stored in cool areas to warm to working area temperature before removing seal caps. This prevents condensation from forming inside A/C components.
- Thoroughly remove moisture from the refrigeration system before charging the refrigerant.
- Always replace used O-rings.

# PRECAUTIONS

**AUTO**

*Precautions for Refrigerant Connection (Cont'd)*

- When connecting tube, apply lubricant to circle of the O-rings shown in illustration. Be careful not to apply lubricant to threaded portion.  
Lubricant name: Nissan A/C System Oil Type R  
Part number: KLH00-PAGR0
- O-ring must be closely attached to dented portion of tube.
- When replacing the O-ring, be careful not to damage O-ring and tube.
- Connect tube until you hear it click, then tighten the nut or bolt by hand until snug. Make sure that the O-ring is installed to tube correctly.
- After connecting line, conduct leak test and make sure that there is no leakage from connections. When the gas leaking point is found, disconnect that line and replace the O-ring. Then tighten connections of seal seat to the specified torque.



## Precautions for Servicing Compressor

*NCHA0005*

- Plug all openings to prevent moisture and foreign matter from entering.
- When the compressor is removed, store it in the same position as it is when mounted on the car.
- When replacing or repairing compressor, follow "Maintenance of Lubricant Quantity in Compressor" exactly. Refer to HA-107.
- Keep friction surfaces between clutch and pulley clean. If the surface is contaminated, with lubricant, wipe it off by using a clean waste cloth moistened with thinner.
- After compressor service operation, turn the compressor shaft by hand more than five turns in both directions. This will equally distribute lubricant inside the compressor. After the compressor is installed, let the engine idle and operate the compressor for one hour.
- After replacing the compressor magnet clutch, apply voltage to the new one and check for normal operation.

## Precautions for Service Equipment RECOVERY/RECYCLING EQUIPMENT

*NCHA0006*

*NCHA0006S01*

Be certain to follow the manufacturers instructions for machine operation and machine maintenance. Never introduce any refrigerant other than that specified into the machine.

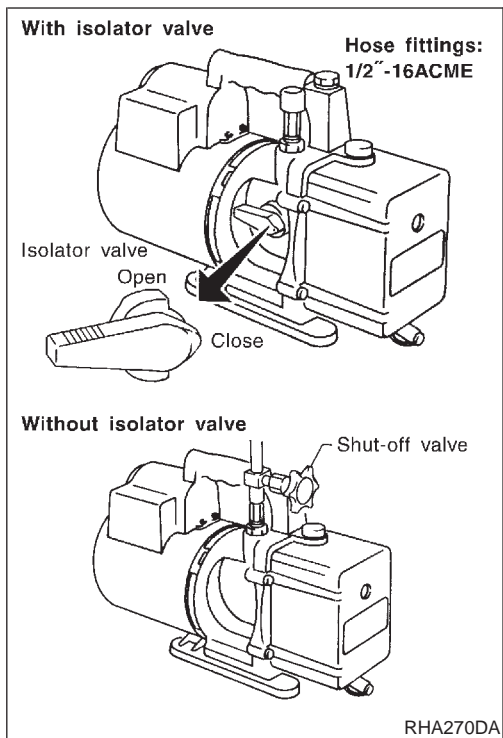
## ELECTRONIC LEAK DETECTOR

*NCHA0006S02*

Be certain to follow the manufacturer's instructions for tester operation and tester maintenance.



*Precautions for Service Equipment (Cont'd)*



**VACUUM PUMP**

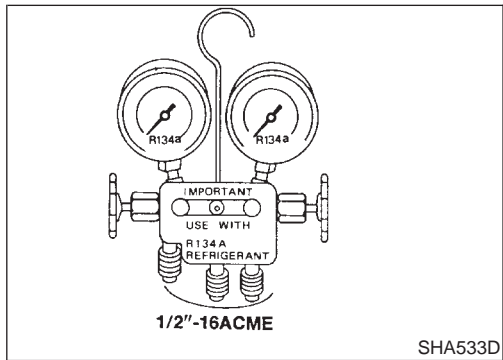
NCHA0006S03

The lubricant contained inside the vacuum pump is not compatible with the specified lubricant for HFC-134a (R-134a) A/C systems. The vent side of the vacuum pump is exposed to atmospheric pressure. So the vacuum pump lubricant may migrate out of the pump into the service hose. This is possible when the pump is switched off after evacuation (vacuuming) and hose is connected to it.

To prevent this migration, use a manual valve placed near the hose-to-pump connection, as follows.

- Usually vacuum pumps have a manual isolator valve as part of the pump. Close this valve to isolate the service hose from the pump.
- For pumps without an isolator, use a hose equipped with a manual shut-off valve near the pump end. Close the valve to isolate the hose from the pump.
- If the hose has an automatic shut off valve, disconnect the hose from the pump. As long as the hose is connected, the valve is open and lubricating oil may migrate.

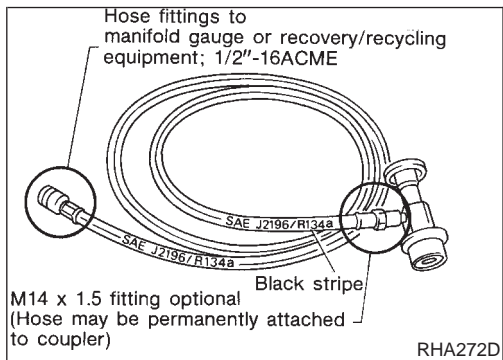
Some one-way valves open when vacuum is applied and close under a no vacuum condition. Such valves may restrict the pump's ability to pull a deep vacuum and are not recommended.



**MANIFOLD GAUGE SET**

NCHA0006S04

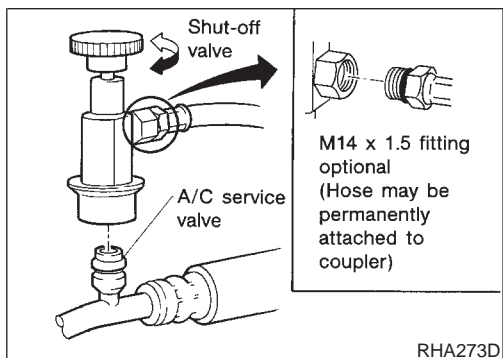
Be certain that the gauge face indicates R-134a or 134a. Be sure the gauge set has 1/2"-16 ACME threaded connections for service hoses. Confirm the set has been used only with refrigerant HFC-134a (R-134a) and specified lubricants.



**SERVICE HOSES**

NCHA0006S05

Be certain that the service hoses display the markings described (colored hose with black stripe). All hoses must include positive shut off devices (either manual or automatic) near the end of the hoses opposite the manifold gauge.



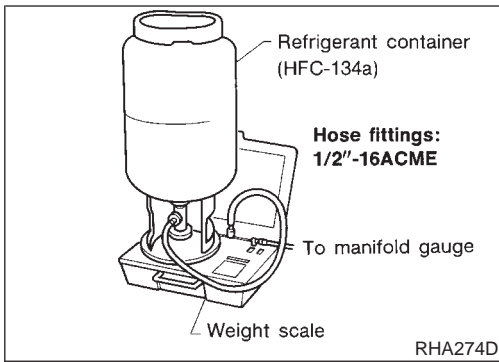
**SERVICE COUPLERS**

NCHA0006S06

Never attempt to connect HFC-134a (R-134a) service couplers to an CFC-12 (R-12) A/C system. The HFC-134a (R-134a) couplers will not properly connect to the CFC-12 (R-12) system. However, if an improper connection is attempted, discharging and contamination may occur.

Shut-off valve rotation	A/C service valve
Clockwise	Open
Counterclockwise	Close





**REFRIGERANT WEIGHT SCALE**

NCHA0006S07

Verify that no refrigerant other than HFC-134a (R-134a) and specified lubricants have been used with the scale. If the scale controls refrigerant flow electronically, the hose fitting must be 1/2"-16 ACME.

GI  
MA  
EM  
LC

**CALIBRATING ACR4 WEIGHT SCALE**

NCHA0006S09

Calibrate the scale every three months. To calibrate the weight scale on the ACR4 (J-39500-INF):

1. Press **Shift/Reset** and **Enter** at the same time.
2. Press **8787**. "A1" will be displayed.
3. Remove all weight from the scale.
4. Press **0**, then press **Enter**. "0.00" will be displayed and change to "A2".
5. Place a known weight (dumbbell or similar weight), between 4.5 and 36.3 kg (10 and 80 lb) on the center of the weight scale.
6. Enter the known weight using four digits. (Example 10 lb = 10.00, 10.5 lb = 10.50)
7. Press **Enter** — the display returns to the vacuum mode.
8. Press **Shift/Reset** and **Enter** at the same time.
9. Press **6** — the known weight on the scale is displayed.
10. Remove the known weight from the scale. "0.00" will be displayed.
11. Press **Shift/Reset** to return the ACR4 to the program mode.

EC  
FE  
CL  
MT  
AT  
AX  
SU  
BR

**CHARGING CYLINDER**

NCHA0006S08

Using a charging cylinder is not recommended. Refrigerant may be vented into air from cylinder's top valve when filling the cylinder with refrigerant. Also, the accuracy of the cylinder is generally less than that of an electronic scale or of quality recycle/recharge equipment.

ST  
RS  
BT

**HA**

**Wiring Diagrams and Trouble Diagnosis**

NCHA0007

When you read wiring diagrams, refer to the following:

- GI-11, "HOW TO READ WIRING DIAGRAMS"
- EL-14, "Wiring Diagram — POWER —"

SC  
EL

When you perform trouble diagnosis, refer to the following:

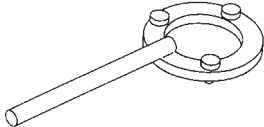
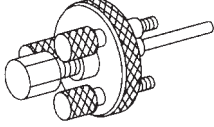
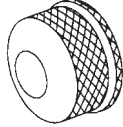
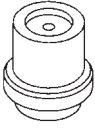
- GI-34, "HOW TO FOLLOW TEST GROUPS IN TROUBLE DIAGNOSES"
- GI-24, "HOW TO PERFORM EFFICIENT DIAGNOSIS FOR AN ELECTRICAL INCIDENT"

IDX

Special Service Tools

NCHA0008

The actual shapes of Kent-Moore tools may differ from those of special service tools illustrated here.

Tool number (Kent-Moore No.) Tool name	Description
KV99231260 (J-38874) Clutch disc wrench	 Removing shaft nut and clutch disc NT204
KV99232340 (J-38874) Clutch disc puller	 Removing clutch disc NT206
KV99234330 (J-39024) Pulley installer	 Installing pulley NT207
KV99233130 (J-39023) Pulley puller	 Removing pulley NT208

# PREPARATION

**AUTO**

HFC-134a (R-134a) Service Tools and Equipment

## HFC-134a (R-134a) Service Tools and Equipment

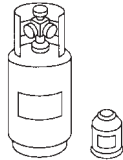

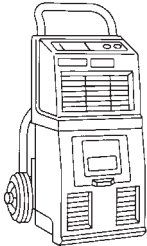
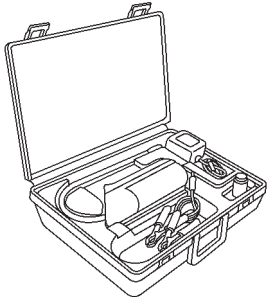
=NCHA0009

Never mix HFC-134a refrigerant and/or its specified lubricant with CFC-12 (R-12) refrigerant and/or its lubricant.

Separate and non-interchangeable service equipment must be used for handling each type of refrigerant/lubricant.

Refrigerant container fittings, service hose fittings and service equipment fittings (equipment which handles refrigerant and/or lubricant) are different between CFC-12 (R-12) and HFC-134a (R-134a). This is to avoid mixed use of the refrigerants/lubricant.

Adapters that convert one size fitting to another must never be used: refrigerant/lubricant contamination will occur and compressor failure will result.

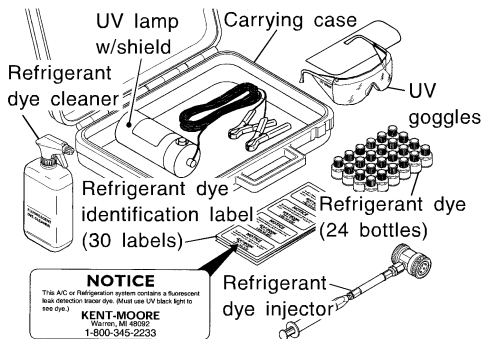
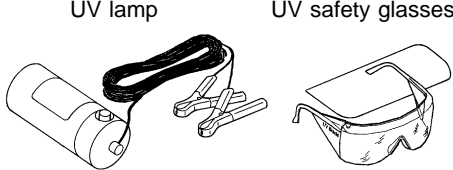

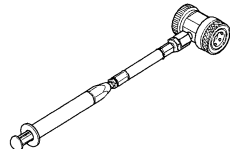

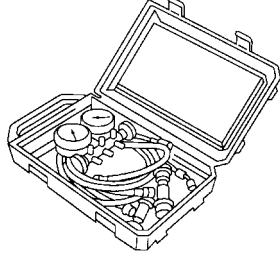
Tool number (Kent-Moore No.) Tool name	Description
HFC-134a (R-134a) refrigerant	 <p>Container color: Light blue Container marking: HFC-134a (R-134a) Fitting size: Thread size</p> <ul style="list-style-type: none"> <li>● Large container 1/2"-16 ACME</li> </ul>
KLH00-PAGRO ( — ) Nissan A/C System Oil Type R	 <p>Type: Poly alkylene glycol oil (PAG), type R Application: HFC-134a (R-134a) vane rotary compressors (Nissan only) Lubricity: 40 ml (1.4 US fl oz, 1.4 Imp fl oz)</p>
(J-39500-INF) Recovery/Recycling Recharging equipment (ACR4)	 <p>Function: Refrigerant Recovery and Recycling and Recharging</p>
(J-41995) Electrical leak detector	 <p>Power supply:</p> <ul style="list-style-type: none"> <li>● DC 12V (Cigarette lighter)</li> </ul>

GI  
MA  
EM  
LC  
EC  
FE  
CL  
MT  
AT  
AX  
SU  
BR  
ST  
RS  
BT  
HA  
SC  
EL  
IDX

# PREPARATION

AUTO

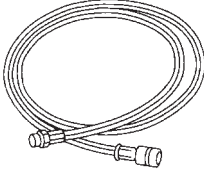
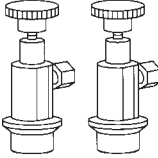

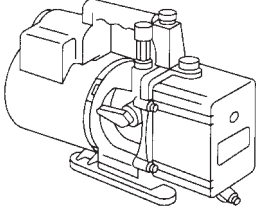
## HFC-134a (R-134a) Service Tools and Equipment (Cont'd)

Tool number (Kent-Moore No.) Tool name	Description	
(J-43926) Refrigerant dye leak detection kit Kit includes: (J-42220) UV lamp and UV safety glasses (J-41459) Refrigerant dye injector (J-41447) qty. 24 R-134a refrigerant dye (J-43872) Refrigerant dye cleaner	 <p style="font-size: small; margin-top: 10px;"><b>NOTICE</b> This A/C or Refrigeration system contains a fluorescent leak detector tracer dye. Must use UV black light to see dye. <b>KENT-MOORE</b> Wentz, Ill. 60159 1-800-345-2233</p>	Power supply: DC 12V (Battery terminal)
SHA437F		
(J-42220) Fluorescent dye leak detector		Power supply: DC12V (Battery terminal) For checking refrigerant leak when fluorescent dye is installed in A/C system. Includes: UV lamp and UV safety glasses
SHA438F		
(J-41447) R134a Fluorescent Leak Detection Dye (Box of 24, 1/4 ounce bottles)		Application: For R-134a PAG oil Container: 1/4 ounce (7.4 cc) bottle (Includes self-adhesive dye identification labels for affixing to vehicle after charging system with dye.)
SHA439F		
(J-41459) R134a Dye Injector Use with J-41447, 1/4 ounce bottle		For injecting 1/4 ounce of Fluorescent Leak Detection Dye into A/C system.
SHA440F		
(J-43872) Dye cleaner		For cleaning dye spills.
SHA441F		
(J-39183) Manifold gauge set (with hoses and couplers)		Identification: ● The gauge face indicates R-134a. Fitting size: Thread size ● 1/2"-16 ACME
NT199		

# PREPARATION

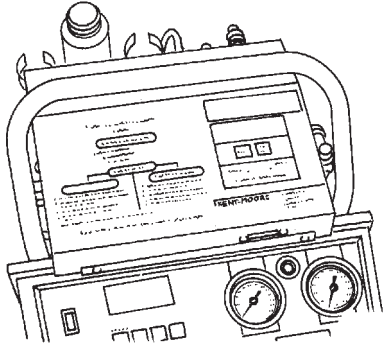
**AUTO**

HFC-134a (R-134a) Service Tools and Equipment (Cont'd)

Tool number (Kent-Moore No.) Tool name	Description	
Service hoses <ul style="list-style-type: none"> <li>● High side hose (J-39501-72)</li> <li>● Low side hose (J-39502-72)</li> <li>● Utility hose (J-39476-72)</li> </ul>	 <p>NT201</p>	GI MA EM LC
Service couplers <ul style="list-style-type: none"> <li>● High side coupler (J-39500-20)</li> <li>● Low side coupler (J-39500-24)</li> </ul>	 <p>NT202</p>	EC FE
(J-39650) Refrigerant weight scale	 <p>NT200</p>	CL MT AT
(J-39649) Vacuum pump (Including the isolator valve)	 <p>NT203</p>	AX SU BR

## COMMERCIAL SERVICE TOOL

NCHA0009S01

Tool name	Description	
Refrigerant identifier equipment	 <p>NT765</p>	ST RS BT HA SC EL

## Refrigeration System

### REFRIGERATION CYCLE

NCHA0010

#### Refrigerant Flow

NCHA0010S01

The refrigerant flows in the standard pattern, that is, through the compressor, the condenser, the liquid tank, through the evaporator, and back to the compressor. The refrigerant evaporation through the evaporator coil is controlled by an externally equalized expansion valve, located inside the evaporator case.

#### Freeze Protection

NCHA0010S02

The compressor cycles go on and off to maintain the evaporator temperature within a specified range. When the evaporator coil temperature falls below a specified point, the thermo control amplifier interrupts the compressor operation. When the evaporator coil temperature rises above the specification, the thermo control amplifier allows compressor operation.

### Refrigerant System Protection

NCHA0010S03

#### Refrigerant Pressure Sensor

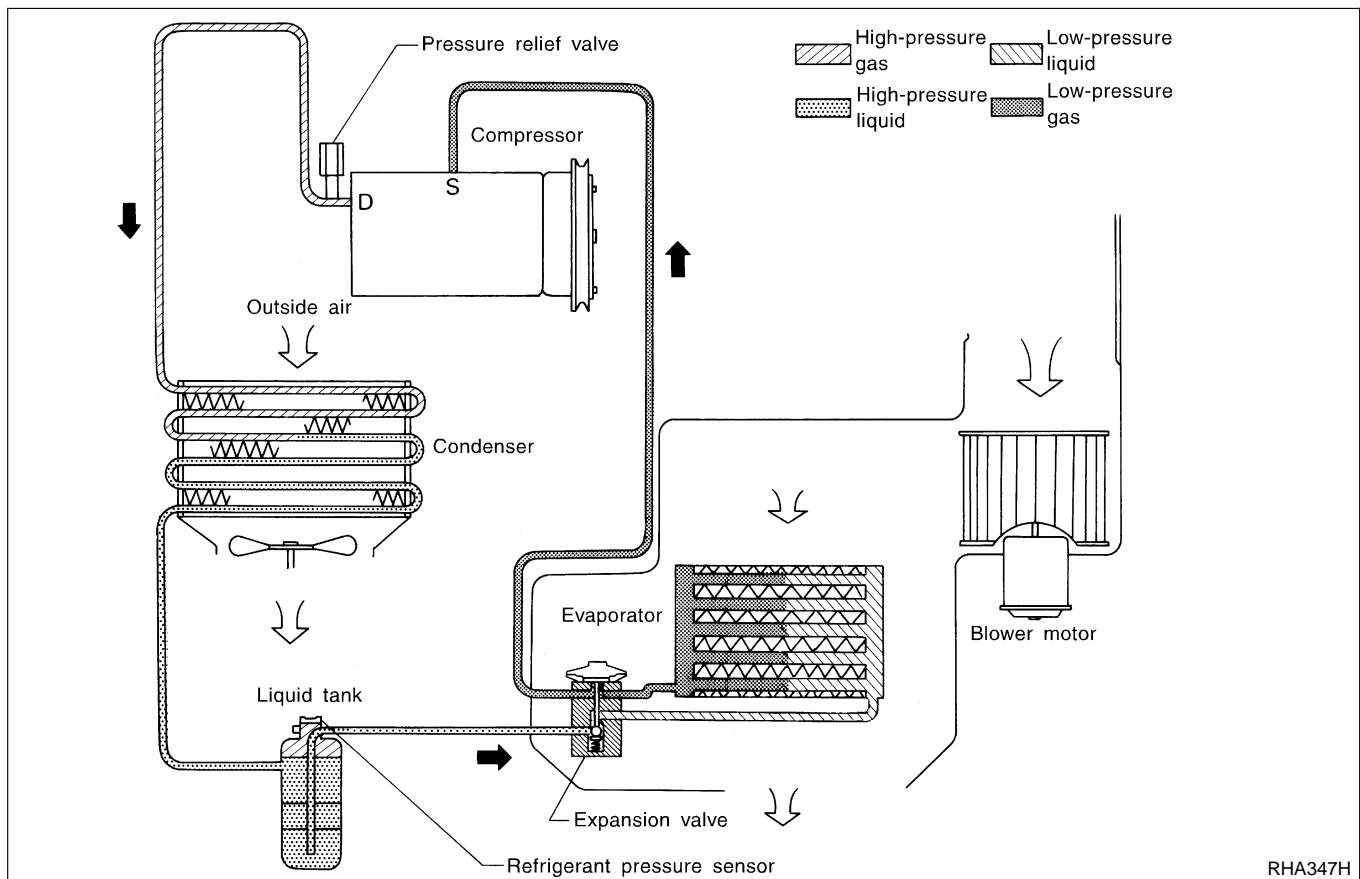
NCHA0010S0303

The refrigerant system is protected against excessively high or low pressures by the refrigerant pressure sensor, located on the liquid tank. If the system pressure rises above, or falls below the specifications, the refrigerant pressure sensor detects the pressure inside the refrigerant line and sends the voltage signal to the ECM. ECM makes the A/C relay go OFF and stops the compressor when pressure on the high pressure side detected by refrigerant pressure sensor is over about 2,746 kPa (28 kg/cm<sup>2</sup>, 398 psi) or below about 177 kPa (1.8 kg/cm<sup>2</sup>, 26 psi).

#### Pressure Relief Valve

NCHA0010S0302

The refrigerant system is also protected by a pressure relief valve, located in the rear head of the compressor. When the pressure of refrigerant in the system increases to an abnormal level [more than 3,727 kPa (38 kg/cm<sup>2</sup>, 540 psi)], the release port on the pressure relief valve automatically opens and releases refrigerant into the atmosphere.

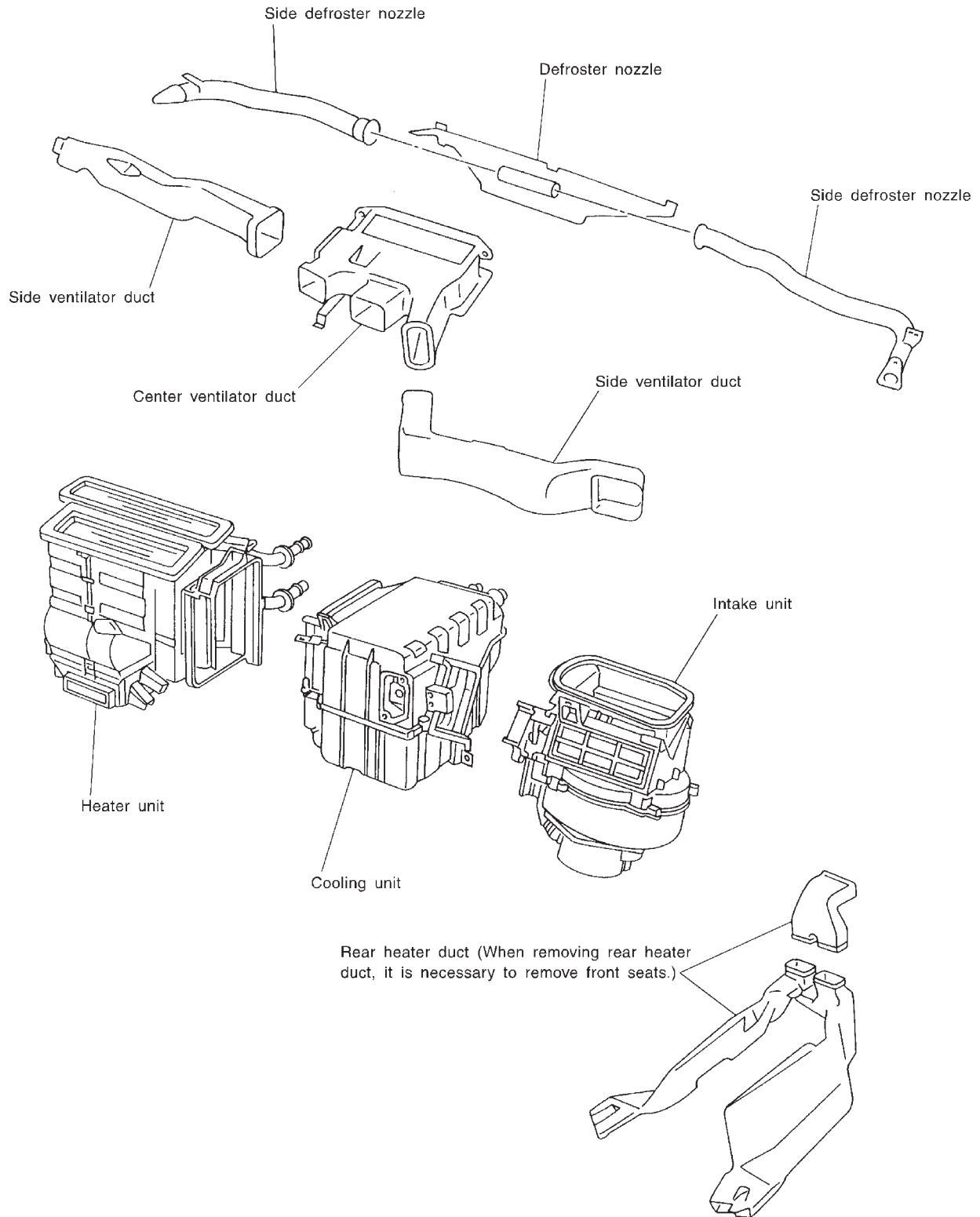




Component Layout

NCHA0012

SEC. 270•271•272•273



GI

MA

EM

LC

EC

FE

CL

MT

AT

AX

SU

BR

ST

RS

BT

**HA**

SC

EL

IDX

RHA041H

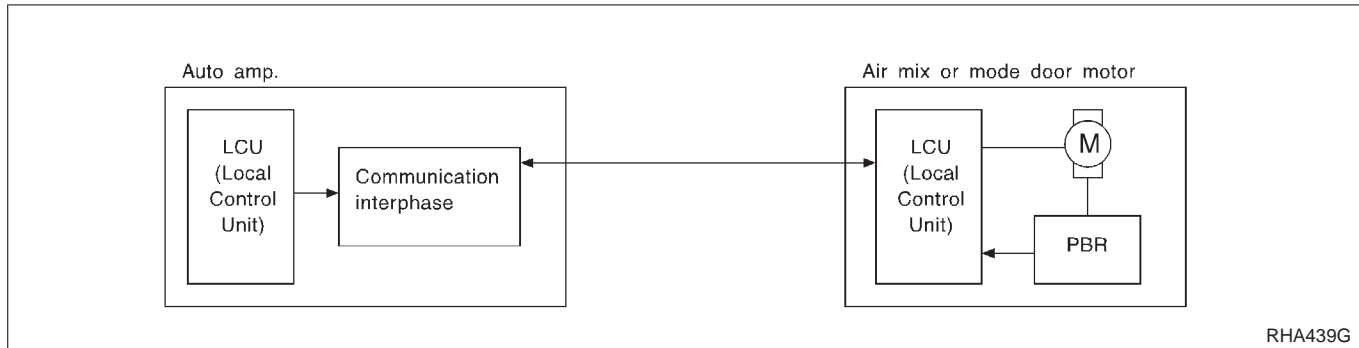
## Introduction

## AIR CONDITIONER LAN SYSTEM OVERVIEW CONTROL SYSTEM

NCHA0013

NCHA0013S01

The LAN system consists of auto amp., air mix door motor and mode door motor. A configuration of these components is shown in the diagram below.



RHA439G

## Features

NCHA0014

## SYSTEM CONSTRUCTION (LAN)

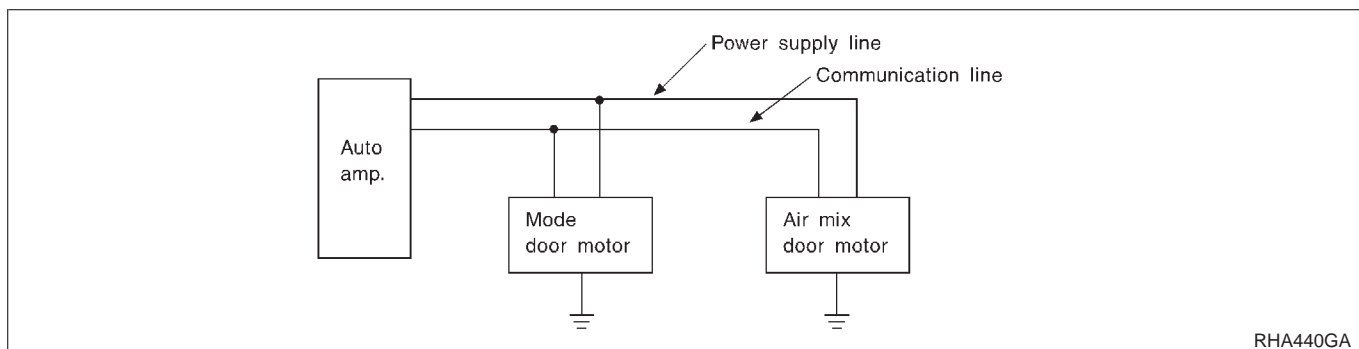
NCHA0014S08

A small network is constructed between the auto amplifier, air mix door motor and mode door motor. The auto amplifier and motors are connected by data transmission lines and motor power supply lines. The LAN network is built through the ground circuits of the two motors.

Addresses, motor opening angle signals, motor stop signals and error checking messages are all transmitted through the data transmission lines connecting the auto amplifier and two motors.

The following functions are contained in LCUs built into the air mix door motor and the mode door motor.

- Address
- Motor opening angle signals
- Data transmission
- Motor stop and drive decision
- Opening angle sensor (PBR function)
- Comparison
- Decision (Auto amplifier indicated value and motor opening angle comparison)



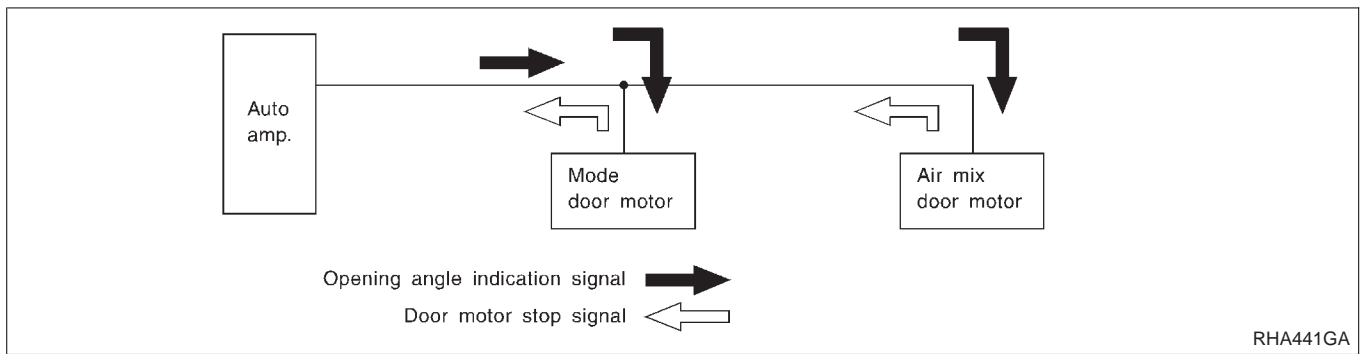
RHA440GA

## Operation

NCHA0014S0801

The auto amplifier receives data from each of the sensors. The amplifier sends air mix door and mode door opening angle data to the air mix door motor LCU and mode door motor LCU.

The air mix door motor and mode door motor read their respective signals according to the address signal. Opening angle indication signals received from the auto amplifier and each of the motor position sensors are compared by the LCUs in each motor with the existing decision and opening angles. Subsequently, HOT/ COLD or DEFROST/VENT operation is selected. The new selection data is returned to the auto amplifier.



**Transmission Data and Transmission Order**

NCHA0014S0802

Amplifier data is transmitted consecutively to each of the door motors following the form shown in figure below. Start: Initial compulsory signal sent to each of the door motors.

Address: Data sent from the auto amplifier is selected according to data-based decisions made by the air mix door motor and mode door motor.

If the addresses are identical, the opening angle data and error check signals are received by the door motor LCUs. The LCUs then make the appropriate error decision. If the opening angle data is normal, door control begins.

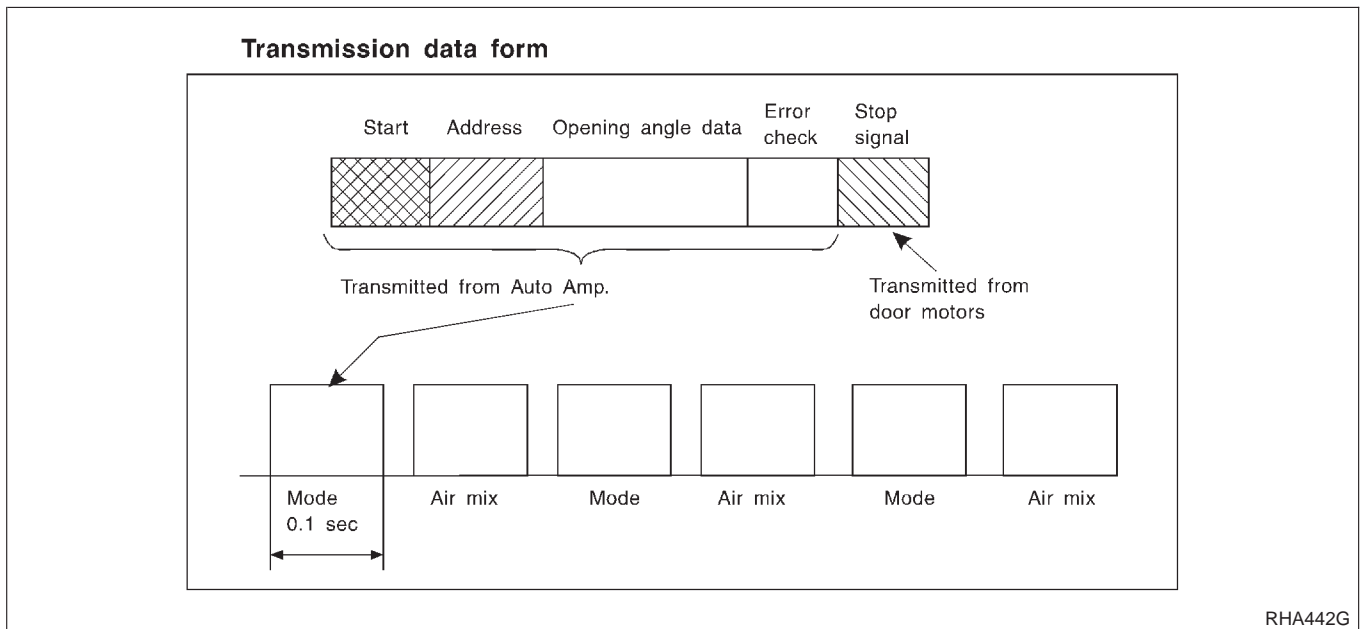
If an error exists, the received data is rejected and corrected data received. Finally, door control is based upon the corrected opening angle data.

Opening angle: Data that shows the indicated door opening angle of each door motor.

Error check: Procedure by which sent and received data is checked for errors. Error data is then compiled. The error check prevents corrupted data from being used by the air mix door motor and mode door motor. Error data can be related to the following problems.

- Abnormal electrical frequency
- Poor electrical connections
- Signal leakage from transmission lines
- Signal level fluctuation

Stop signal: At the end of each transmission, a stop operation, in-operation, or internal problem message is delivered to the auto amplifier. This completes one data transmission and control cycle.



**Air Mix Door Control (Automatic Temperature Control)**

NCHA0014S0803

The air mix door is automatically controlled so that in-vehicle temperature is maintained at a predetermined value by: The temperature setting, ambient temperature, in-vehicle temperature and amount of sunload.

Features (Cont'd)

---

### Fan Speed Control

NCHA0014S0804

Blower speed is automatically controlled based on temperature setting, ambient temperature, in-vehicle temperature, intake temperature, amount of sunload and air mix door position.

With FAN switch set to "AUTO", the blower motor starts to gradually increase air flow volume.

When engine coolant temperature is low, the blower motor operation is delayed to prevent cool air from flowing.

### Intake Door Control

NCHA0014S0805

The intake doors are automatically controlled by: The temperature setting, ambient temperature, in-vehicle temperature, intake temperature, amount of sunload and ON-OFF operation of the compressor.

### Outlet Door Control

NCHA0014S0806

The outlet door is automatically controlled by: The temperature setting, ambient temperature, in-vehicle temperature, intake temperature and amount of sunload.

### Magnet Clutch Control

NCHA0014S0807

The ECM controls compressor operation using input signals from the throttle position sensor and auto amplifier.

### Self-diagnostic System

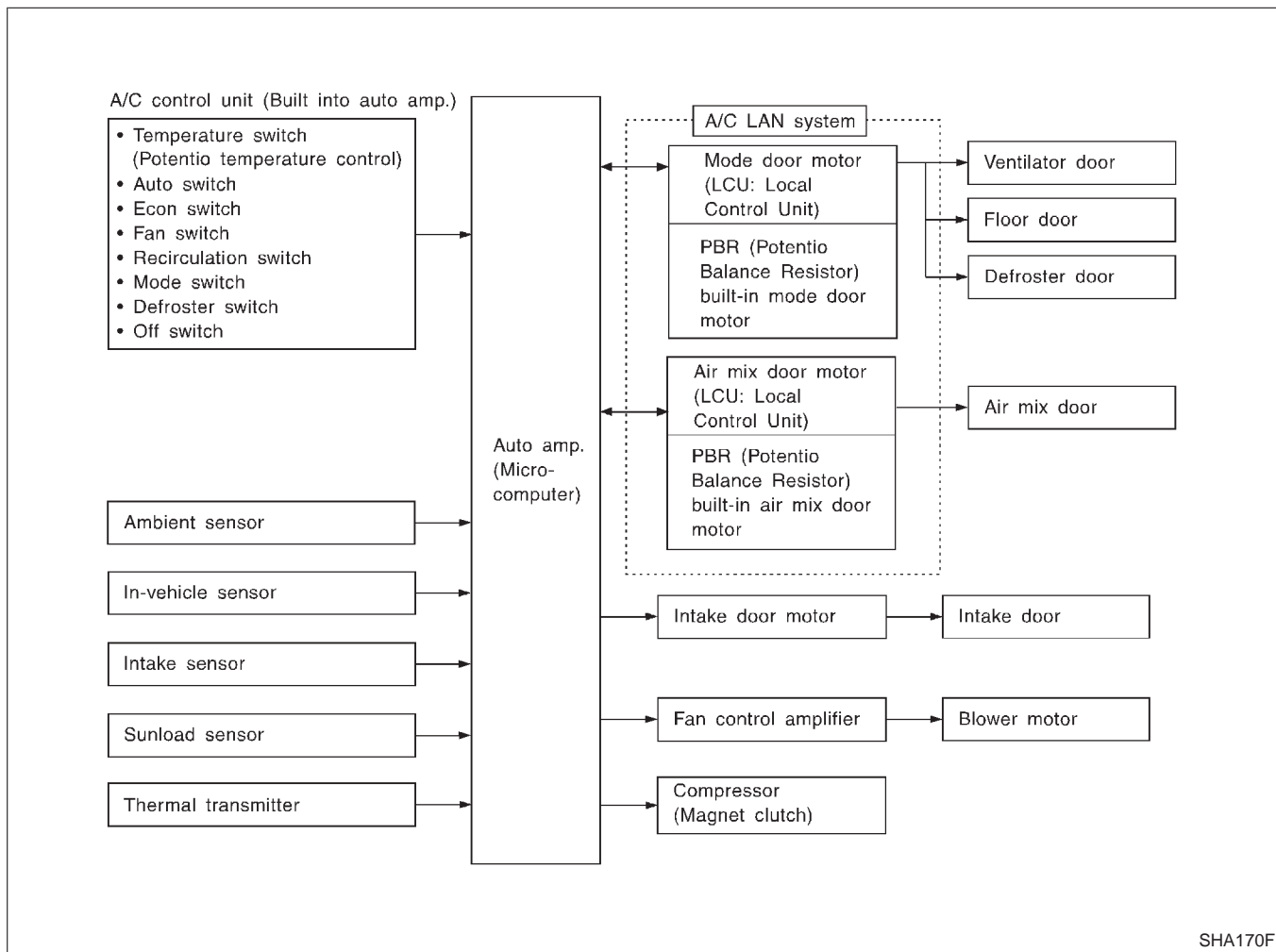
NCHA0014S0808

The self-diagnostic system is built into the auto amplifier (LCU) to quickly locate the cause of problems.

**Overview of Control System**

=NCHA0015

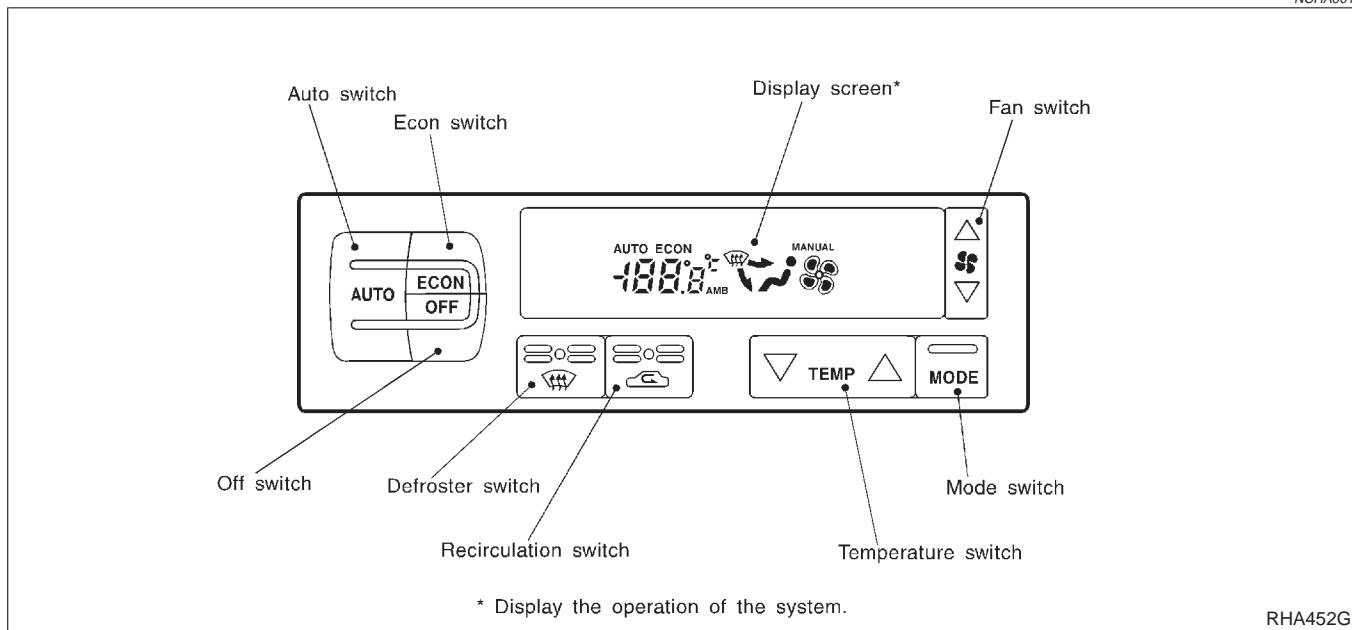
The control system consists of input sensors, switches, the automatic amplifier (microcomputer) and outputs. The relationship of these components is shown in the diagram below:



SHA170F

**Control Operation**

NCHA0016



RHA452G

Control Operation (Cont'd)

### DISPLAY SCREEN

Displays the operational status of the system.

NCHA0016S01

### AUTO SWITCH

The compressor, intake doors, air mix door, outlet doors, and blower speed are automatically controlled so that the in-vehicle temperature will reach, and be maintained at the set temperature selected by the operator.

NCHA0016S02

### ECON SWITCH

By pressing the ECON switch, the display should indicate ECON and the compressor always turns OFF. With the compressor OFF, the system will not remove heat (cool) or de-humidify. The system will maintain the in-vehicle temperature at the set temperature when the set temperature is above the ambient (outside) temperature. The system will set the intake doors to the outside air position.

NCHA0016S03

### TEMPERATURE SWITCH (POTENTIO TEMPERATURE CONTROL)

Increases or decreases the set temperature.

NCHA0016S04

### OFF SWITCH





The compressor and blower are OFF, the intake doors are set to the outside air position, and the air outlet doors are set to the foot (80% foot and 20% defrost) position.

NCHA0016S05

### FAN SWITCH

Manual control of the blower speed. Four speeds are available for manual control (as shown on the display screen):

NCHA0016S06

low  , medium low  , medium high  , high 

### RECIRCULATION (REC) SWITCH

OFF position: Outside air is drawn into the passenger compartment.

ON position: Interior air is recirculated inside the vehicle.

NCHA0016S07

### DEFROSTER (DEF) SWITCH

Positions the air outlet doors to the defrost position. Also positions the intake doors to the outside air position.

NCHA0016S08

### MODE SWITCH

Controls the air discharge outlets.

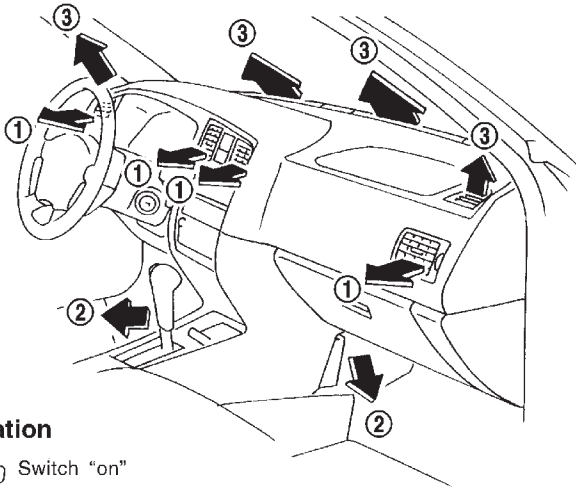
NCHA0016S09



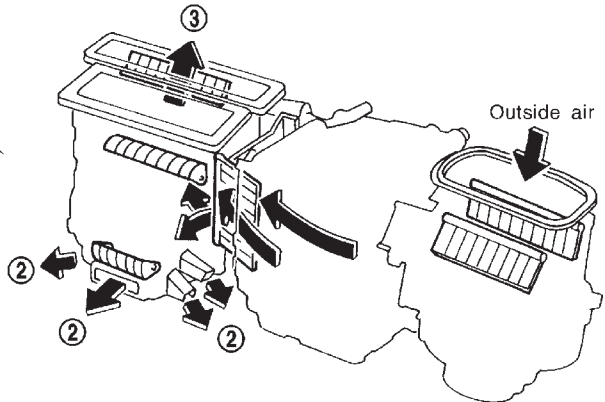
Discharge Air Flow

NCHA0017

Air outlets



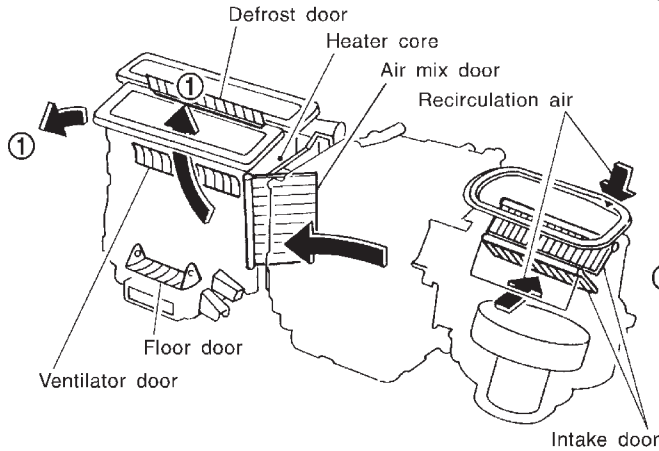
Foot



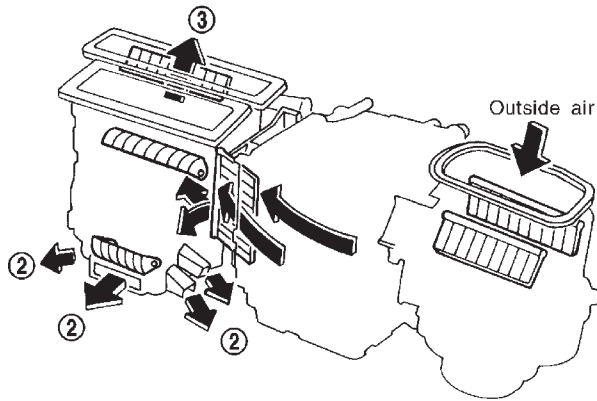
Ventilation



Switch "on"



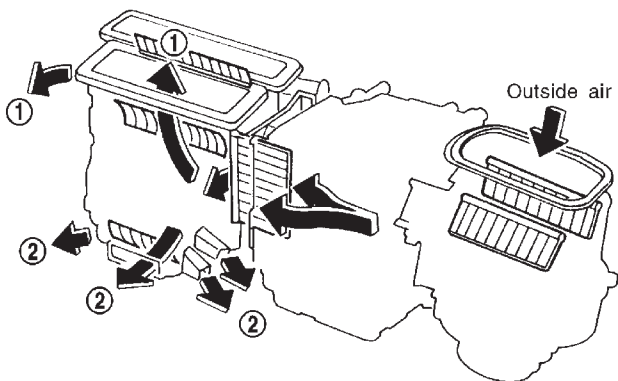
Foot and defrost



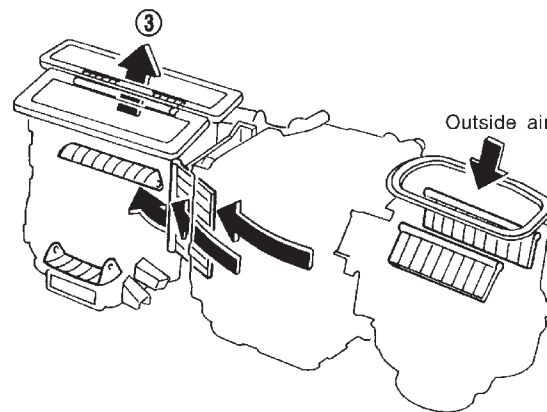
Bi-level



Switch "off"



Defrost



- ① : To face
- ② : To foot
- ③ : To defrost

For air flow %, refer to "Operational Check", "TROUBLE DIAGNOSES".

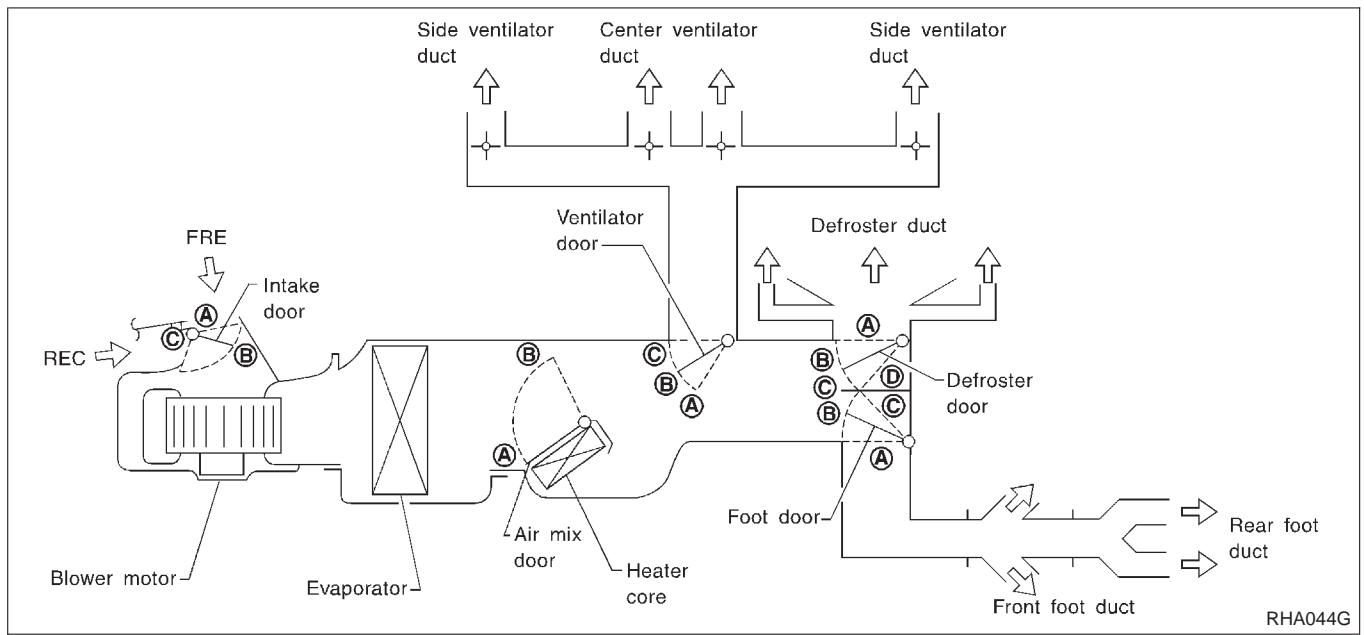
RHA042H

GI  
MA  
EM  
LC  
EC  
FE  
CL  
MT  
AT  
AX  
SU  
BR  
ST  
RS  
BT  
HA  
SC  
EL  
IDX

# DESCRIPTION

**AUTO**

## Discharge Air Flow (Cont'd)



Position or switch	MODE SW				DEF SW		AUTO SW	ECON SW	REC SW		Temperature SW					
	VENT	B/L	FOOT	D/F	ON	OFF			ON	OFF	▼ TEMP ▲					
Door							<b>AUTO</b>	<b>ECON</b>			18.0°C (65°F)	—	32.0°C (85°F)			
Ventilator door	A	B	C	C	C	—	AUTO	AUTO	—		—					
Foot door	A	B	D	C	A				—		—					
Defroster door	A	A	B	C	D				—		—					
Air mix door	—				—				—		—		A	AUTO	B	
Intake door	—				C				—		A	AUTO*1	—			

\*1: Automatically controlled when REC switch is OFF.

**Component Location  
ENGINE COMPARTMENT**

NCHA0033

NCHA0033S01

GI

MA

EM

LC

EC

FE

CL

MT

AT

AX

SU

BR

ST

RS

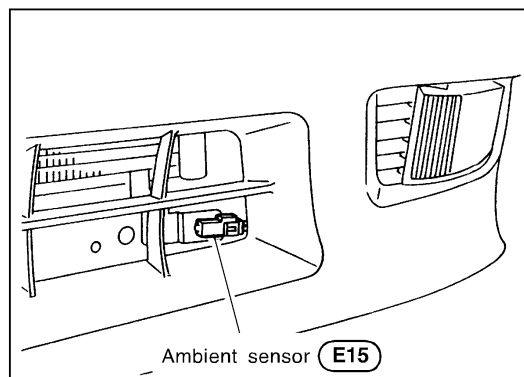
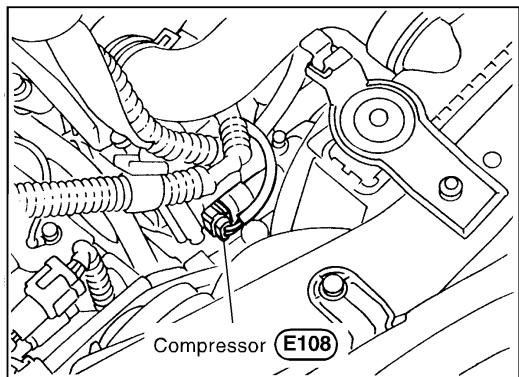
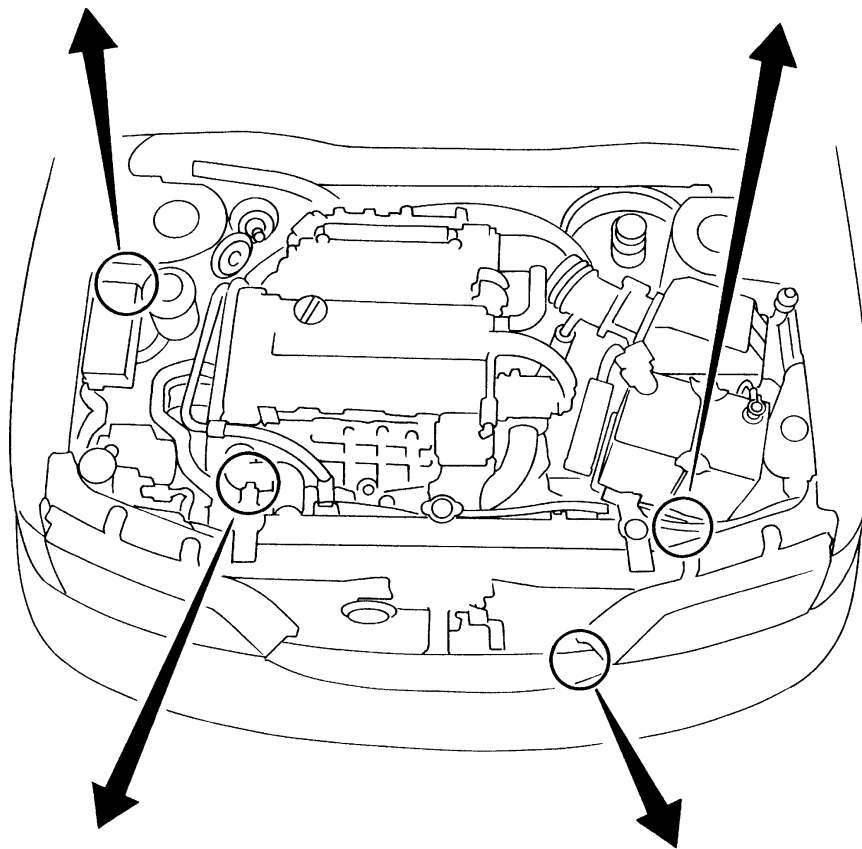
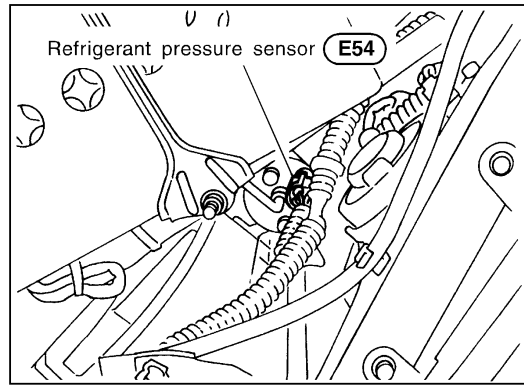
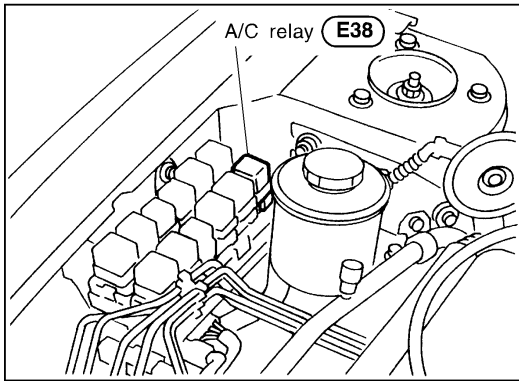
BT

**HA**

SC

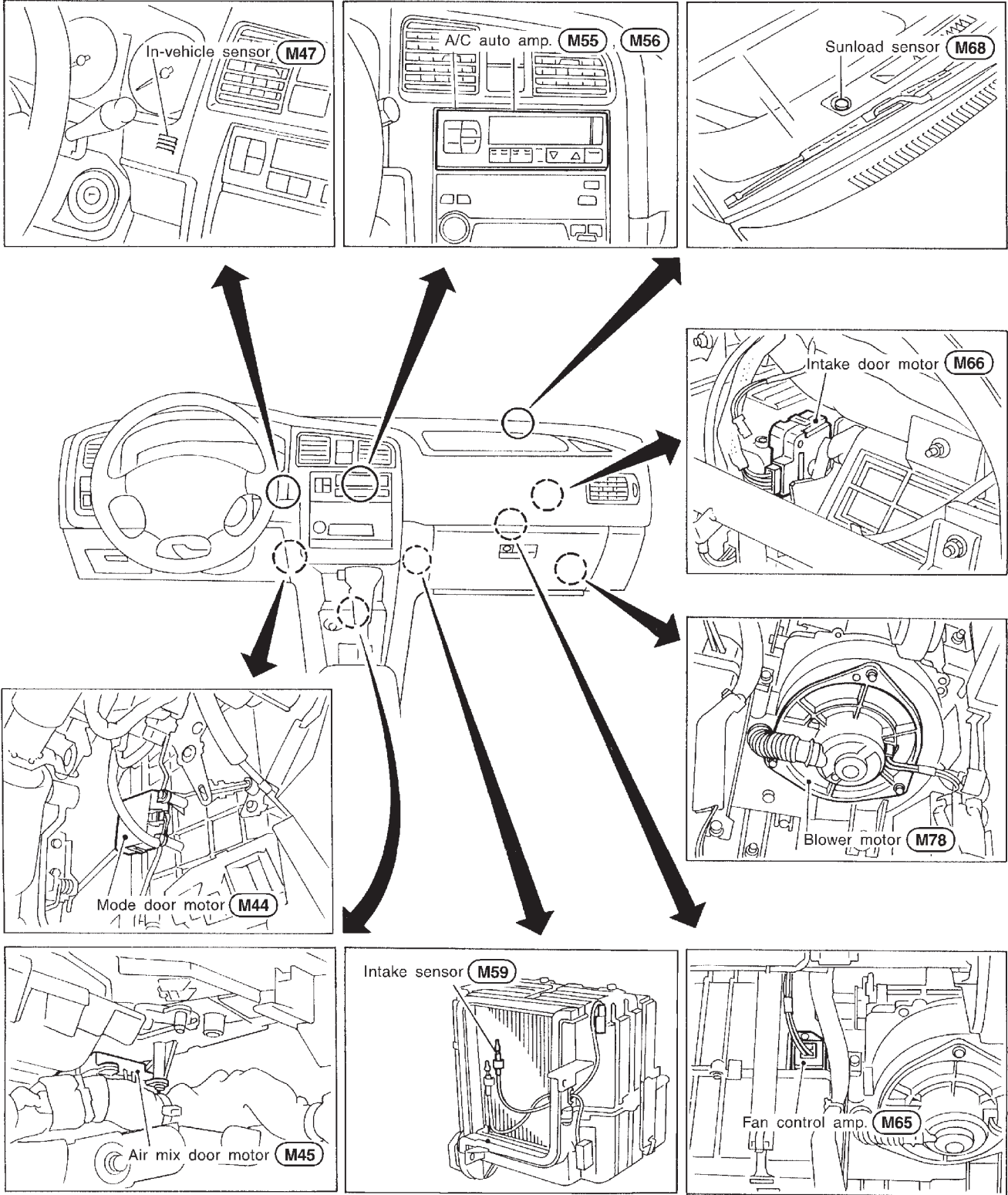
EL

IDX



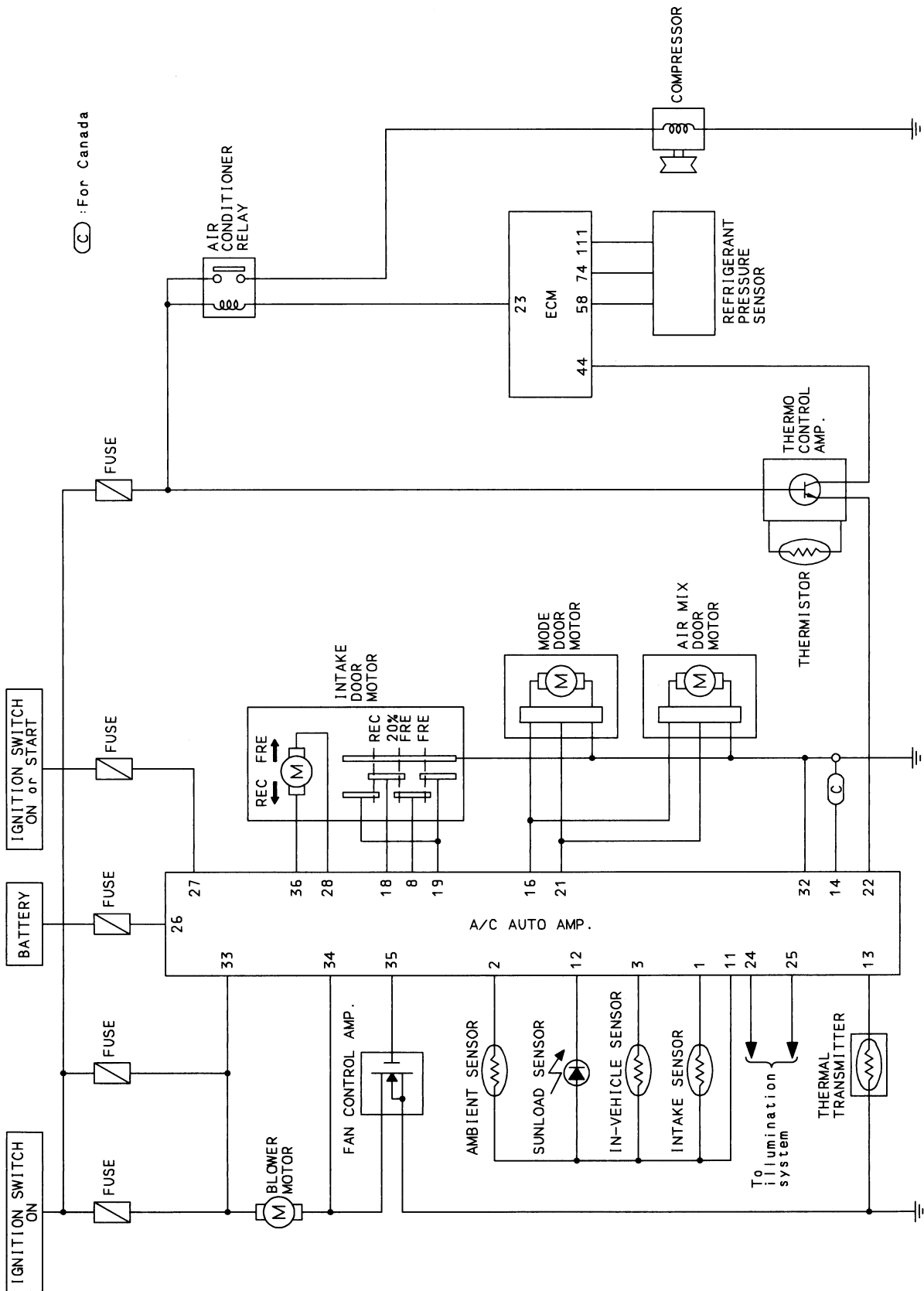
PASSENGER COMPARTMENT

NCHA0033S02



Circuit Diagram

NCHA0034



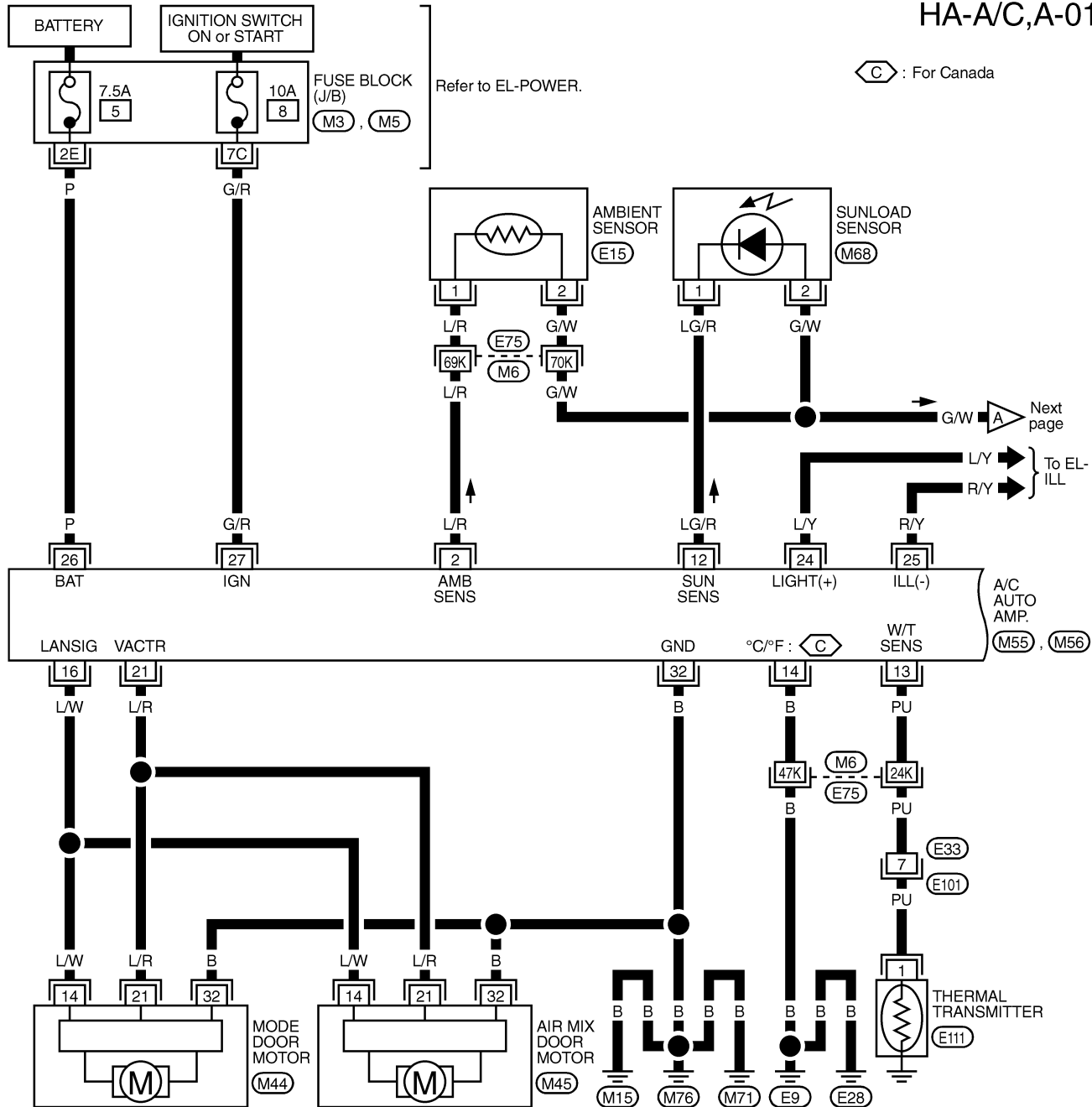
GI  
 MA  
 EM  
 LC  
 EC  
 FE  
 CL  
 MT  
 AT  
 AX  
 SU  
 BR  
 ST  
 RS  
 BT  
**HA**  
 SC  
 EL  
 IDX

Wiring Diagram — A/C, A —

NCHA0035

HA-A/C,A-01

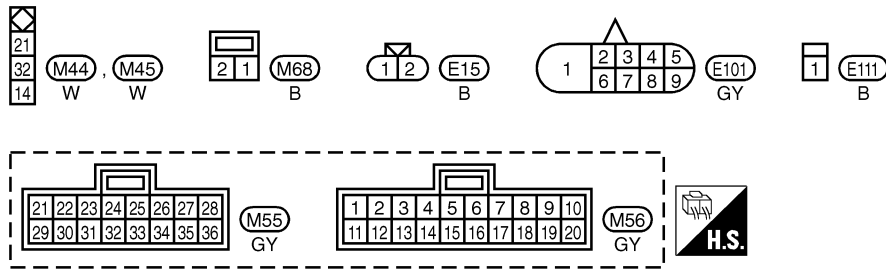
⬡ : For Canada



Next page

To EL-ILL

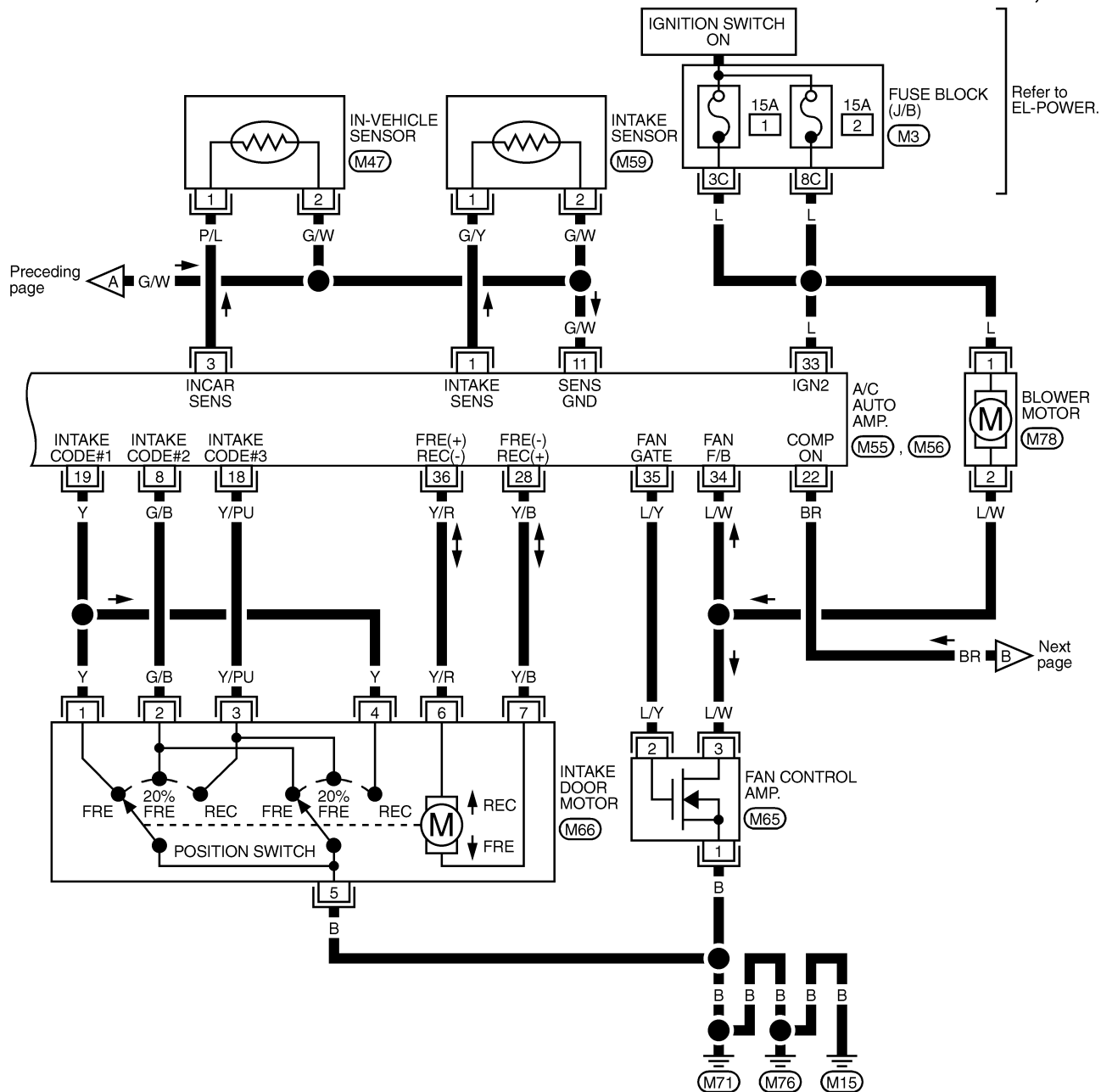
A/C AUTO AMP. (M55), (M56)



REFER TO THE FOLLOWING.  
 (E75) -SUPER MULTIPLE JUNCTION (SMJ)  
 (M3), (M5) -FUSE BLOCK-JUNCTION BOX (J/B)



HA-A/C,A-02



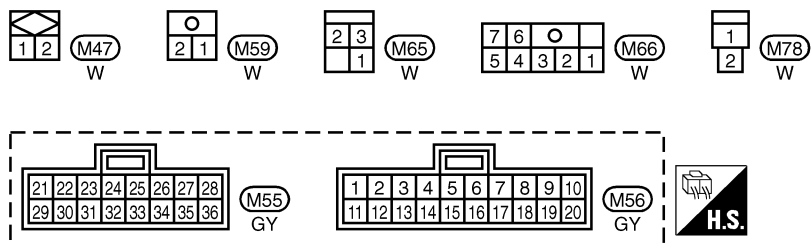
GI  
MA  
EM  
LC  
EC  
FE  
CL  
MT  
AT  
AX  
SU  
BR  
ST  
RS  
BT

**HA**

SC

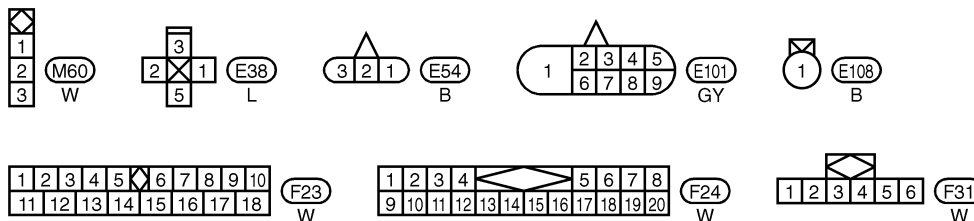
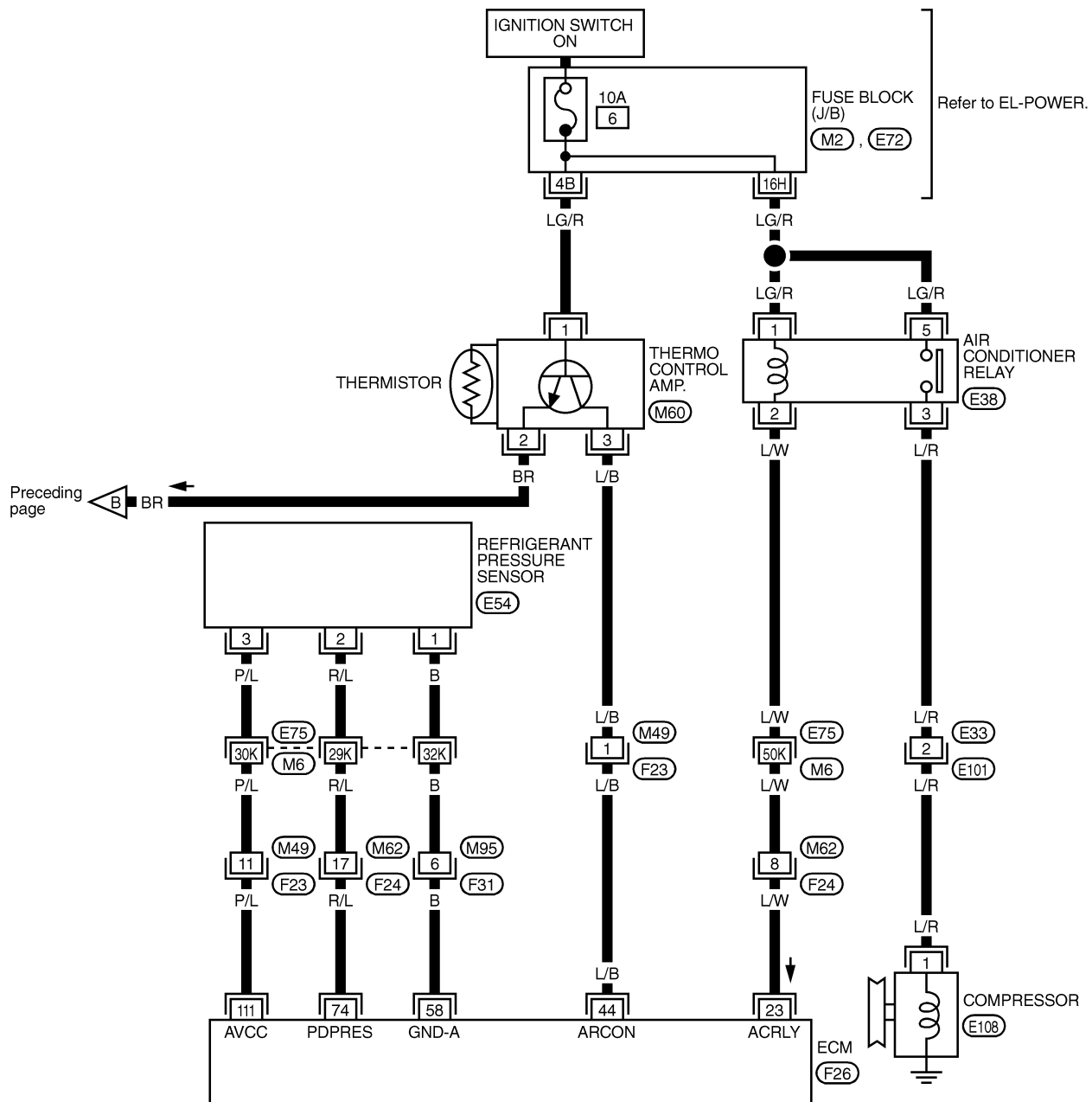
EL

IDX



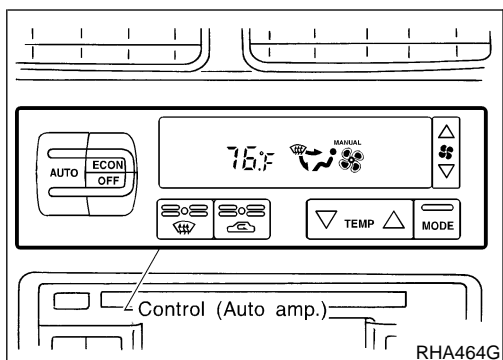
REFER TO THE FOLLOWING.  
**(M3)** -FUSE BLOCK-JUNCTION BOX (J/B)

## HA-A/C,A-03



REFER TO THE FOLLOWING.

- (E75) -SUPER MULTIPLE JUNCTION (SMJ)
- (M2), (E72) -FUSE BLOCK-JUNCTION BOX (J/B)
- (F26) -ELECTRICAL UNITS



## Auto Amp. Terminals and Reference Value

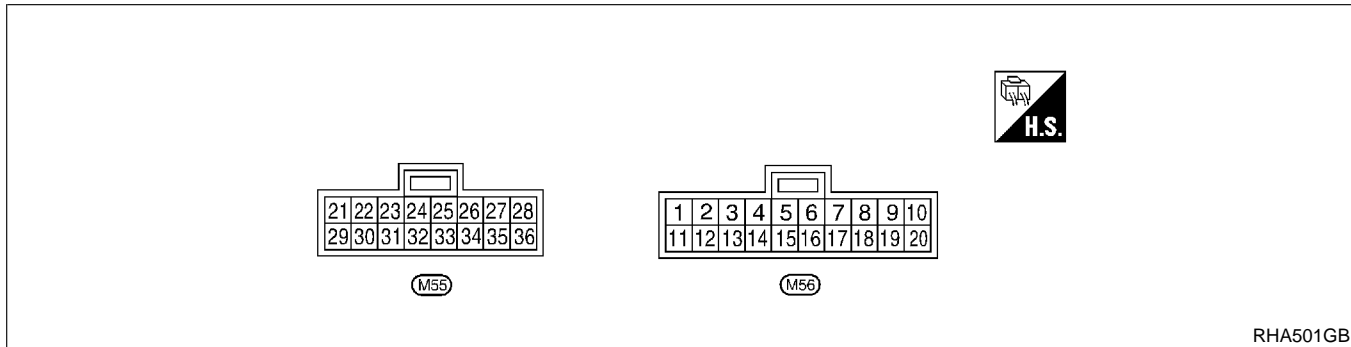
NCHA0036

### INSPECTION OF AUTO AMP.

NCHA0036S01

- Measure voltage between each terminal and body ground by following "AUTO AMP. INSPECTION TABLE".

- Pin connector terminal layout



### AUTO AMP. INSPECTION TABLE




NCHA0036S02

TERMI- NAL NO.	ITEM	CONDITION		Voltage V
1	Intake sensor	—		—
2	Ambient sensor	—		—
3	In-vehicle sensor	—		—
8	Intake door position switch		FRESH or 20% FRESH	Approximately 0
			RECIRCULATION	Approximately 4.6
11	Sensor ground	—		Approximately 0
12	Sunload sensor	—		—
13	Thermal transmitter		Approximately 40°C (104°F)	Approximately 10.8
			Approximately 55°C (131°F)	Approximately 9.9
			Approximately 60°C (140°F)	Approximately 9.5
14	Ground (for Canada)	—		Approximately 0
16	A/C LAN signal	—		Approximately 5.5
18	Intake door position switch		20% FRESH or RECIRCULATION	Approximately 0
			FRESH	Approximately 4.6
19	Intake door position switch		20% FRE	Approximately 0
			RECIRCULATION or FRESH	Approximately 4.7
21	Power supply for mode door motor and air mix door motor	—		Approximately 12

# TROUBLE DIAGNOSES

AUTO

*Auto Amp. Terminals and Reference Value (Cont'd)*

TERMI- NAL NO.	ITEM		CONDITION	Voltage V	
22	Compressor ON signal		Compressor	ON	Approximately 0
				OFF	Approximately 4.6
26	Power supply for BAT		—	BATTERY VOLTAGE	
27	Power supply for IGN		—	Approximately 12	
28	Power supply for intake door motor		Intake door position	FRESH	Approximately 0
				RECIRCULATION	Approximately 12
32	Ground		—	Approximately 0	
33	Power source for A/C		Ignition voltage feed back	Approximately 12	
34	Blower motor feed back		Fan speed: Low	Approximately 7 - 10	
35	Fan control AMP. control signal		Fan speed	Low, Middle low or Middle high	Approximately 2.5 - 3.0
				High	Approximately 9 - 10
36	Power supply for intake door motor		Intake door position	FRESH	Approximately 12
				RECIRCULATION	Approximately 0

## Self-diagnosis

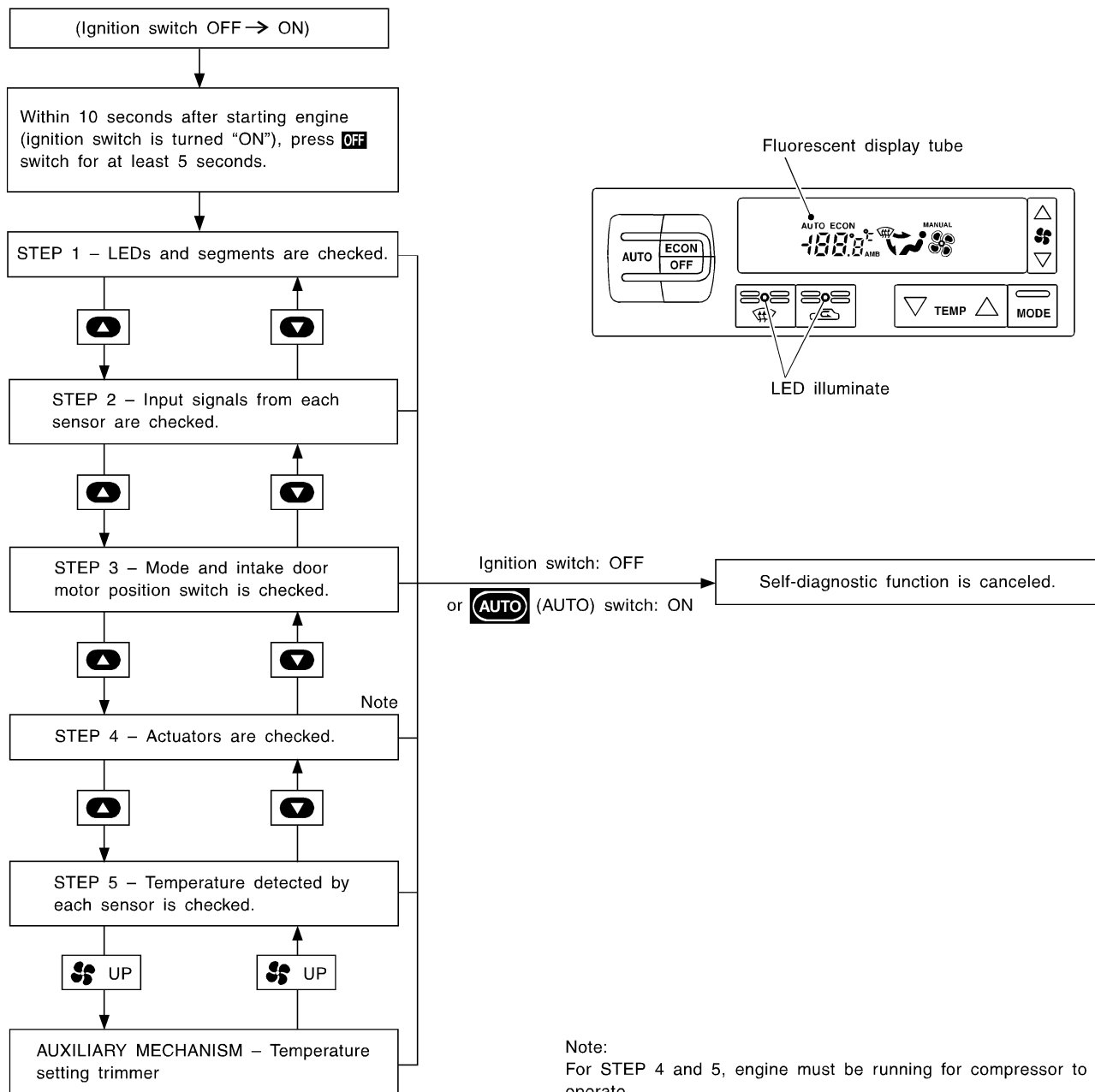
=NCHA0021

NCHA0021S01

### INTRODUCTION AND GENERAL DESCRIPTION

The self-diagnostic system diagnoses sensors, door motors, blower motor, etc. by system line. Refer to applicable sections (items) for details. Shifting from normal control to the self-diagnostic system is accomplished by starting the engine (turning the ignition switch from "OFF" to "ON") and pressing "OFF" switch for at least 5 seconds. The "OFF" switch must be pressed within 10 seconds after starting the engine (ignition switch is turned "ON"). This system will be canceled by either pressing **AUTO** (AUTO) switch or turning the ignition switch "OFF". Shifting from one step to another is accomplished by means of pushing **▲** (HOT) or **▼** (COLD) switch, as required.

Additionally shifting from STEP 5 to AUXILIARY MECHANISM is accomplished by means of pushing **⊞** (fan) UP switch.



Note:  
For STEP 4 and 5, engine must be running for compressor to operate.

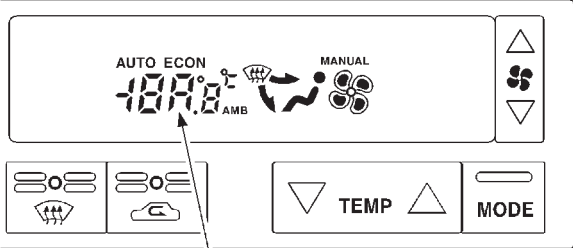
RHA453GA

GI  
MA  
EM  
LC  
EC  
FE  
CL  
MT  
AT  
AX  
SU  
BR  
ST  
RS  
BT  
HA  
SC  
EL  
IDX

## STEP-BY-STEP PROCEDURE

=NCHA0021S02

<b>1</b>	<b>SET IN SELF-DIAGNOSTIC MODE</b>
1. Turn ignition switch ON. 2. Set in self-diagnostic mode as follows. Within 10 seconds after starting engine (ignition switch is turned "ON"), press <b>OFF</b> switch for at least 5 seconds.	
▶	GO TO 2.

<b>2</b>	<b>STEP 1 - LEDs AND SEGMENT ARE CHECKED</b>
Do all LEDs and segments illuminate?  <div style="text-align: center;"> <b>Display malfunction</b>    <p style="text-align: center;">Part of segment does not illuminate.</p> </div> <div style="text-align: right; margin-top: 10px;"><small>RHA454GA</small></div>	
<b>Yes or No</b>	
Yes	▶ GO TO 3.
No	▶ Malfunctioning <b>OFF</b> switch, LED or fluorescent display tube. Replace A/C auto amp.

<b>3</b>	<b>CHECK TO ADVANCE SELF-DIAGNOSIS STEP 2</b>
1. Press <b>▲</b> (HOT) switch. 2. Advance to self-diagnosis STEP 2?	
<b>Yes or No</b>	
Yes	▶ GO TO 4.
No	▶ Malfunctioning <b>▲</b> (HOT) switch. Replace A/C auto amp.

<b>4</b>	<b>CHECK TO RETURN SELF-DIAGNOSIS STEP 1</b>
1. Press <b>▼</b> (COLD) switch. 2. Return to self-diagnosis STEP 1?	
<b>Yes or No</b>	
Yes	▶ GO TO 5.
No	▶ Malfunctioning <b>▼</b> (COLD) switch. Replace A/C auto amp.

# TROUBLE DIAGNOSES

**AUTO**

*Self-diagnosis (Cont'd)*

<b>5</b>	<b>STEP 2 - SENSOR CIRCUITS ARE CHECKED FOR OPEN OR SHORT CIRCUIT</b>	
<p>Press  (HOT) switch. Does code No.  appear on the display?</p>		
<p><b>Display (when all sensors are in good order)</b></p> <p style="font-size: small;">Illuminates 25 seconds after "2" is illuminated.</p> <div style="display: flex; justify-content: center; align-items: center;"> <div style="text-align: center; margin-right: 20px;"> <p style="font-size: x-small;">Illuminates</p> </div> <div style="text-align: center;"> </div> </div>		
RHA970DB		
<b>Yes or No</b>		
Yes	▶	GO TO 6.
No	▶	GO TO 13.

GI  
MA  
EM  
LC  
EC  
FE  
CL  
MT


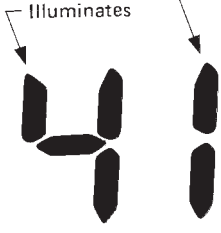
<b>6</b>	<b>STEP 3 - MODE DOOR AND INTAKE DOOR POSITIONS ARE CHECKED</b>	
<p>Press  (HOT) switch. Does code No.  appear on the display?</p>		
<p><b>Display (when all doors are in good order)</b></p> <p style="font-size: small;">Illuminates 50 seconds after "3" is shown on display.</p> <div style="display: flex; justify-content: center; align-items: center;"> <div style="text-align: center; margin-right: 20px;"> <p style="font-size: x-small;">Illuminates</p> </div> <div style="text-align: center;"> </div> </div>		
RHA869DD		
<b>Yes or No</b>		
Yes	▶	GO TO 7.
No	▶	GO TO 14.

AT  
AX  
SU  
BR  
ST  
RS  
BT

**HA**

SC  
EL  
IDX

Self-diagnosis (Cont'd)

7	<b>STEP 4 - OPERATION OF EACH ACTUATOR IS CHECKED</b>
<p>Press  (HOT) switch. Engine running. Press DEF switch, code No. of each actuator test is indicated on the display.</p> <p style="text-align: center;">Changes from "1" to "E".</p> <div style="text-align: center;"><p>Illuminates</p></div> <p style="text-align: right;">RHA495A</p>	
▶	GO TO 8.









**8**

**CHECK ACTUATORS**






Refer to the following chart and confirm discharge air flow, air temperature, blower motor voltage and compressor operation.

**Checks must be made visually, by listening to any noise, or by touching air outlets with your hand, etc. for improper operation.**

Code No.	Actuator test pattern				
	Mode door	Intake door	Air mix door	Blower motor	Compressor
41	VENT 	REC	Full Cold	4 - 5V	ON
42	B/L 	REC	Full Cold	9 - 11V	ON
43	B/L 	20% FRE	Full Hot	7 - 9V	OFF
44	FOOT 	FRE	Full Hot	7 - 9V	OFF
45	D/F 	FRE	Full Hot	7 - 9V	ON
46	DEF 	FRE	Full Hot	10 - 12V	ON

MTBL0375

**Discharge air flow**

Mode switch	Air outlet/distribution		
	Face	Foot	Defroster
	100%	—	—
	60%	40%	—
	—	80%	20%
	—	60%	40%
	—	—	100%

MTBL0128

**OK or NG**

OK



GO TO 9.

NG



- Air outlet does not change.  
Go to "Mode Door Motor" (HA-48).
- Intake door does not change.  
Go to "Intake Door Motor" (HA-58).
- Blower motor operation is malfunctioning.  
Go to "Blower Motor" (HA-65).
- Magnet clutch does not engage.  
Go to "Magnet Clutch" (HA-73).
- Discharge air temperature does not change.  
Go to "Air Mix Door Motor" (HA-54).

GI

MA

EM

LC

EC

FE

CL

MT

AT

AX

SU

BR

ST

RS

BT


**HA**

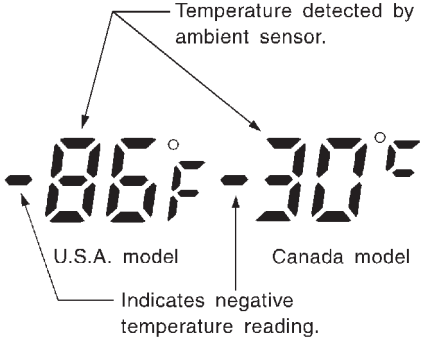
SC


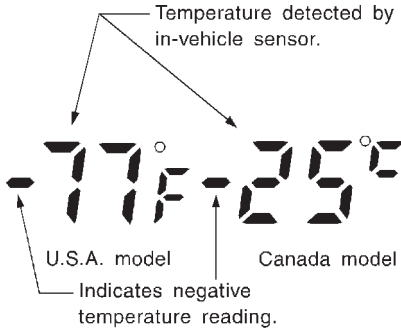
EL

IDX


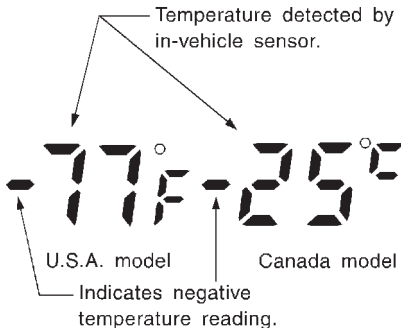


Self-diagnosis (Cont'd)

<b>9</b>	<b>STEP 5 - TEMPERATURE OF EACH SENSOR IS CHECKED</b>
<p>Press  (HOT) switch. Code No. 5 appears on the display.</p> <div style="text-align: center; margin: 20px 0;"> <p>“5” appears on display.</p>  </div> <p style="text-align: right; margin-top: 20px;">RHA492A</p>	
▶	GO TO 10.

<b>10</b>	<b>CHECK AMBIENT SENSOR</b>
<p>Press  (DEF) switch one time, temperature detected by ambient sensor is indicated on the display.</p> <p><b>NOTE:</b> If temperature shown on display greatly differs from actual temperature, check sensor circuit first, then inspect sensor.</p> <div style="text-align: center; margin: 20px 0;">  </div> <p style="text-align: right; margin-top: 20px;">RHA499G</p>	
<b>OK or NG</b>	
OK	▶ GO TO 11.
NG	▶ Go to Ambient Sensor Circuit (HA-92).

<b>11</b>	<b>CHECK IN-VEHICLE SENSOR</b>	
<p>Press  (DEF) switch the second time, temperature detected by in-vehicle sensor is indicated on the display.</p> <p><b>NOTE:</b> If temperature shown on display greatly differs from actual temperature, check sensor circuit first, then inspect sensor.</p> <div style="text-align: center;">  </div> <p style="text-align: right;">RHA500G</p> <p style="text-align: center;"><b>OK or NG</b></p>		
OK	▶	GO TO 12.
NG	▶	Go to In-vehicle Sensor Circuit (HA-95).

GI  
MA  
EM  
LC  
EC  
FE  
CL

<b>12</b>	<b>CHECK INTAKE SENSOR</b>	
<p>Press  (DEF) switch the third time, temperature detected by intake sensor is indicated on the display.</p> <p><b>NOTE:</b> If temperature shown on display greatly differs from actual temperature, check sensor circuit first, then inspect sensor.</p> <div style="text-align: center;">  </div> <p style="text-align: right;">RHA500G</p> <p style="text-align: center;"><b>OK or NG</b></p>		
OK	▶	1. Press  (DEF) switch the fourth time. Display returns to original presentation 5. 2. Turn ignition switch OFF or  (AUTO) switch ON. 3. END
NG	▶	Go to Intake Sensor Circuit (HA-102).

MT  
AT  
AX  
SU  
BR  
ST  
RS  
BT

**HA**

SC  
EL  
IDX

## 13 CHECK MALFUNCTIONING SENSOR

Refer to the following chart for malfunctioning code No.  
(If two or more sensors malfunction, corresponding code Nos. blink respectively two times.)

Code No.	Malfunctioning sensor (including circuits)	Reference page
21	Ambient sensor	*2
-21		
22	In-vehicle sensor	*3
-22		
24	Intake sensor	*4
-24		
25	Sunload sensor*1	*5
-25		
26	Air mix door motor (LCU) PBR	*6
-26		

MTBL0083

**\*1: Conduct self-diagnosis STEP 2 under sunshine.**

When conducting indoors, aim a light (more than 60W) at sunload sensor, otherwise Code No. 25 will indicate despite that sunload sensor is functioning properly.

\*2: HA-92

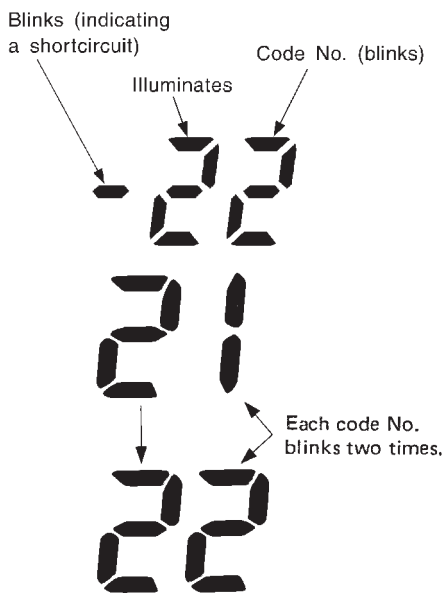
\*3: HA-95

\*4: HA-102

\*5: HA-99

\*6: HA-104

### Display (when sensor malfunctions)



RHA455G







RHA501A



INSPECTION END

**14 CHECK MALFUNCTIONING DOOR MOTOR POSITION SWITCH**

Mode or (and) intake door motor position switch(es) is (are) malfunctioning.  
 (If two or more mode or intake doors are out of order, corresponding code numbers blink respectively two times.)

Code No. *1 *2	Mode or intake door position		Reference page
31	VENT		*3
32	B/L		
34	FOOT		
35	D/F		
36	DEF		
37	FRE		*4
38	20% FRE		
39	REC		

MTBL0376

\*1: If mode door motor harness connector is disconnected, the following display pattern will appear.

**31 → 32 → 34 → 35 → 36 → Return to 31**

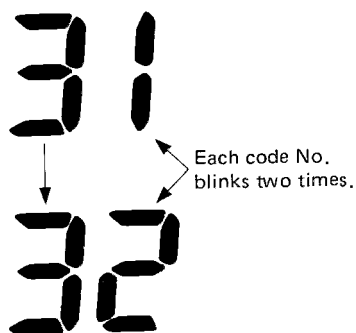
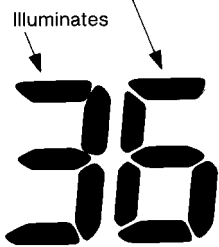
\*2: If intake door motor harness connector is disconnected, the following display pattern will appear.

**37 → 38 → 39 → Return to 37**

\*3: HA-48

\*4: HA-58

**Display (when a door is out of order)**      Code No. (blinks)



RHA168DA

RHA498A

▶ INSPECTION END

GI  
 MA  
 EM  
 LC  
 EC  
 FE  
 CL  
 MT  
 AT  
 AX  
 SU  
 BR  
 ST  
 RS  
 BT  
**HA**  
 SC  
 EL  
 IDX




Self-diagnosis (Cont'd)

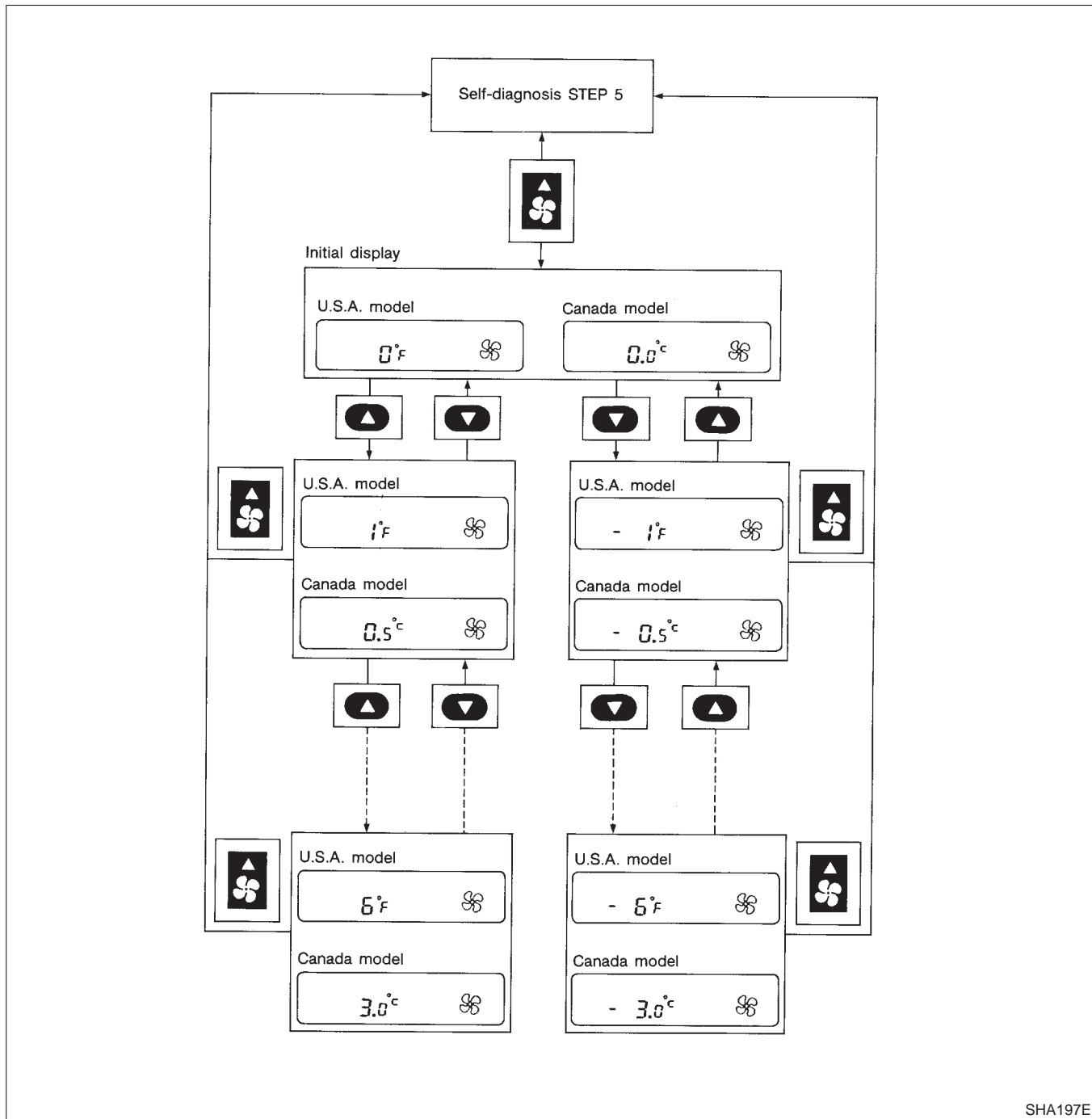
## AUXILIARY MECHANISM: TEMPERATURE SETTING TRIMMER

=NCHA0021S03

The trimmer compensates for differences in range of  $\pm 3^{\circ}\text{C}$  ( $\pm 6^{\circ}\text{F}$ ) between temperature setting (displayed digitally) and temperature felt by driver.

Operating procedures for this trimmer are as follows:

- Begin Self-diagnosis STEP 5 mode.
- Press  (fan) UP switch to set system in auxiliary mode.
- Display shows "5!" in auxiliary mechanism.  
It takes approximately 3 seconds.
- Press either  (HOT) or  (COLD) switch as desired. Temperature will change at a rate of  $0.5^{\circ}\text{C}$  ( $1.0^{\circ}\text{F}$ ) each time a switch is pressed.



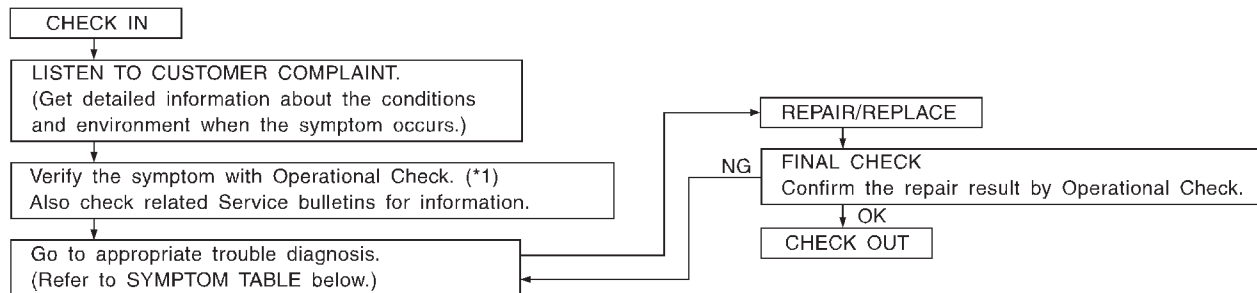
When battery cable is disconnected, trimmer operation is canceled. Temperature set becomes that of initial condition, i.e.  $0^{\circ}\text{C}$  ( $0^{\circ}\text{F}$ ).

## How to Perform Trouble Diagnoses for Quick and Accurate Repair

=NCHA0018

NCHA0018S01

### WORK FLOW



SHA900E

\*1: Operational Check (HA-42)

### SYMPTOM TABLE

NCHA0018S02

Symptom	Reference Page
● A/C system does not come on.	● Go to Trouble Diagnosis Procedure for A/C system. HA-45
● Air outlet does not change.	● Go to Trouble Diagnosis Procedure for Mode Door Motor. (LAN) HA-48
● Mode door motor does not operate normally.	
● Discharge air temperature does not change.	● Go to Trouble Diagnosis Procedure for Air Mix Door Motor. (LAN) HA-54
● Air mix door motor does not operate normally.	
● Intake door does not change.	● Go to Trouble Diagnosis Procedure for Intake Door Motor. HA-58
● Intake door motor does not operate normally.	
● Blower motor operation is malfunctioning.	● Go to Trouble Diagnosis Procedure for Blower Motor. HA-65
● Blower motor operation is malfunctioning under out of starting fan speed control.	
● Magnet clutch does not engage.	● Go to Trouble Diagnosis Procedure for Magnet Clutch. HA-73
● Insufficient cooling.	● Go to Trouble Diagnosis Procedure for Insufficient Cooling. HA-80
● Insufficient heating.	● Go to Trouble Diagnosis Procedure for Insufficient Heating. HA-88
● Noise.	● Go to Trouble Diagnosis Procedure for Noise. HA-89
● Self-diagnosis can not be performed.	● Go to Trouble Diagnosis Procedure for Self-diagnosis. HA-90
● Memory function does not operate.	● Go to Trouble Diagnosis Procedure for Memory Function. HA-91
● ECON mode does not operate.	● Go to Trouble Diagnosis Procedure for ECON (ECONOMY) — mode. HA-92

## Operational Check

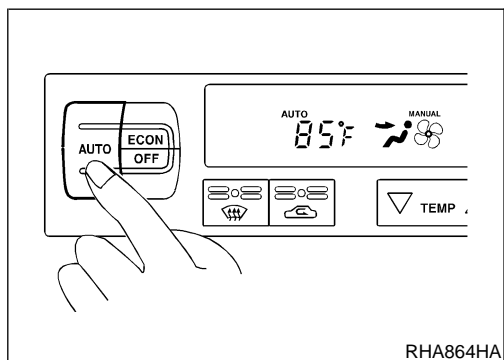
NCHA0019

The purpose of the operational check is to confirm that the system operates properly.

### CONDITIONS:

NCHA0019S01

- Engine running and at normal operating temperature.



### PROCEDURE:

NCHA0019S02

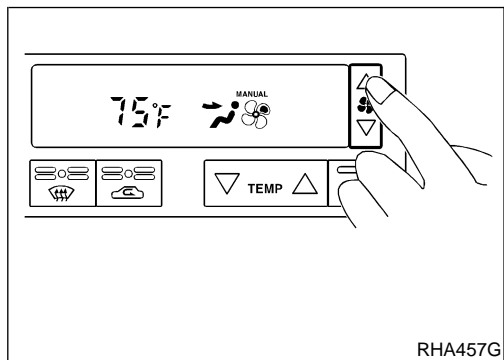
#### 1. Check Memory Function

NCHA0019S0201

1. Set the temperature 85°F or 32°C.
2. Press OFF switch.
3. Turn the ignition switch OFF.
4. Turn the ignition switch ON.
5. Press the AUTO switch.
6. Confirm that the set temperature remains at previous temperature.
7. Press OFF switch.

If NG, go to trouble diagnosis procedure for memory function (HA-91).

If OK, continue with next check.



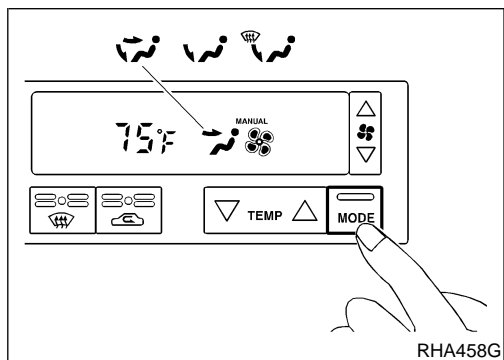
#### 2. Check Blower

NCHA0019S0202

1. Press fan switch (up side) one time.  
Blower should operate on low speed.  
The fan symbol should have one blade lit ☼.
2. Press fan switch (up side) one more time, and continue checking blower speed and fan symbol until all speeds are checked.
3. Leave blower on MAX speed ☼☼.

If NG, go to trouble diagnosis procedure for blower motor (HA-65).

If OK, continue with next check.



#### 3. Check Discharge Air

NCHA0019S0203

1. Press mode switch four times and DEF button.
2. Each position indicator should change shape.



**Discharge air flow**

Mode control knob	Air outlet/distribution		
	Face	Foot	Defroster
	100%	-	-
	60%	40%	-
	-	80%	20%
	-	60%	40%
	-	-	100%

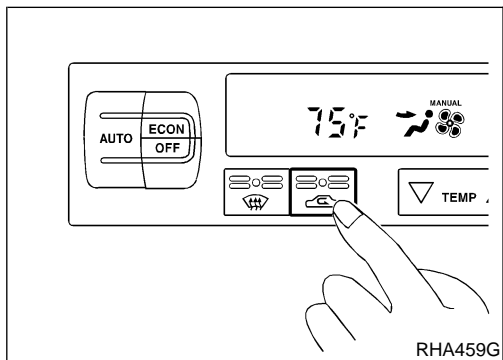
RHA654F

3. Confirm that discharge air comes out according to the air distribution table at left.  
Refer to "Discharge Air Flow" (HA-21).

Intake door position is checked in the next step.  
If NG, go to trouble diagnosis procedure for mode door motor (HA-48).  
If OK, continue with next check.

**NOTE:**  
Confirm that the compressor clutch is engaged (visual inspection) and intake door position is at FRESH when the DEF is selected.

GI  
MA  
EM  
LC  
EC  
FE  
CL  
MT



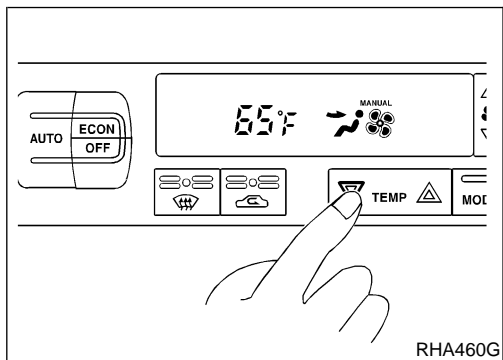
#### 4. Check Recirculation

NCHA0019S0204

1. Press REC switch.  
Recirculation indicator should illuminate.
2. Listen for intake door position change (you should hear blower sound change slightly).

If NG, go to trouble diagnosis procedure for intake door (HA-58).  
If OK, continue with next check.

AT  
AX  
SU  
BR



#### 5. Check Temperature Decrease

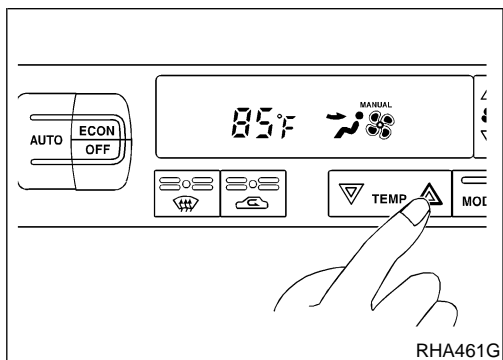
NCHA0019S0205

1. Press the temperature decrease button until 18°C (65°F) is displayed.
2. Check for cold air at discharge air outlets.

If NG, go to trouble diagnosis procedure for insufficient cooling (HA-80).

If OK, continue with next check.

ST  
RS  
BT



#### 6. Check Temperature Increase

NCHA0019S0206

1. Press the temperature increase button until 32°C (85°F) is displayed.
2. Check for hot air at discharge air outlets.

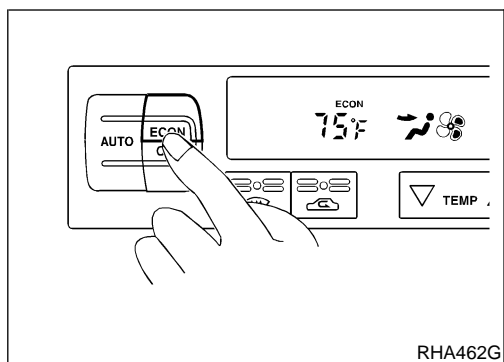
If NG, go to trouble diagnosis procedure for insufficient heating (HA-88).

If OK, continue with next check.

SC  
EL  
IDX

**HA**

Operational Check (Cont'd)



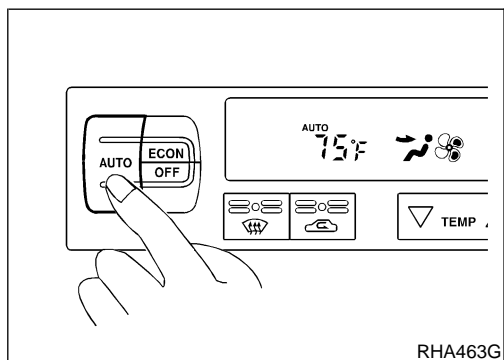
### 7. Check ECON (Economy) Mode

NCHA0019S0207

1. Set the temperature 75°F or 25°C.
2. Press ECON switch.
3. Display should indicate ECON (no AUTO).  
 Confirm that the compressor clutch is not engaged (visual inspection).  
 (Discharge air and blower speed will depend on ambient, in-vehicle, and set temperatures.)

If NG, go to trouble diagnosis procedure for ECON (Economy) mode (HA-92).

If OK, continue with next check.



### 8. Check AUTO Mode

NCHA0019S0208

1. Press AUTO switch.
2. Display should indicate AUTO (no ECON).  
 Confirm that the compressor clutch engages (audio or visual inspection).  
 (Discharge air and blower speed will depend on ambient, in-vehicle, and set temperatures.)

If NG, go to trouble diagnosis procedure for A/C system (HA-45), then if necessary, trouble diagnosis procedure for magnet clutch (HA-73).

If all operational check are OK (symptom can not be duplicated), go to "Incident Simulation Tests" (GI section) and perform tests as outlined to simulate driving conditions environment. If symptom appears, refer to "Symptom Table" (HA-41) and perform applicable trouble diagnosis procedures.

## A/C System

### TROUBLE DIAGNOSIS PROCEDURE FOR A/C SYSTEM

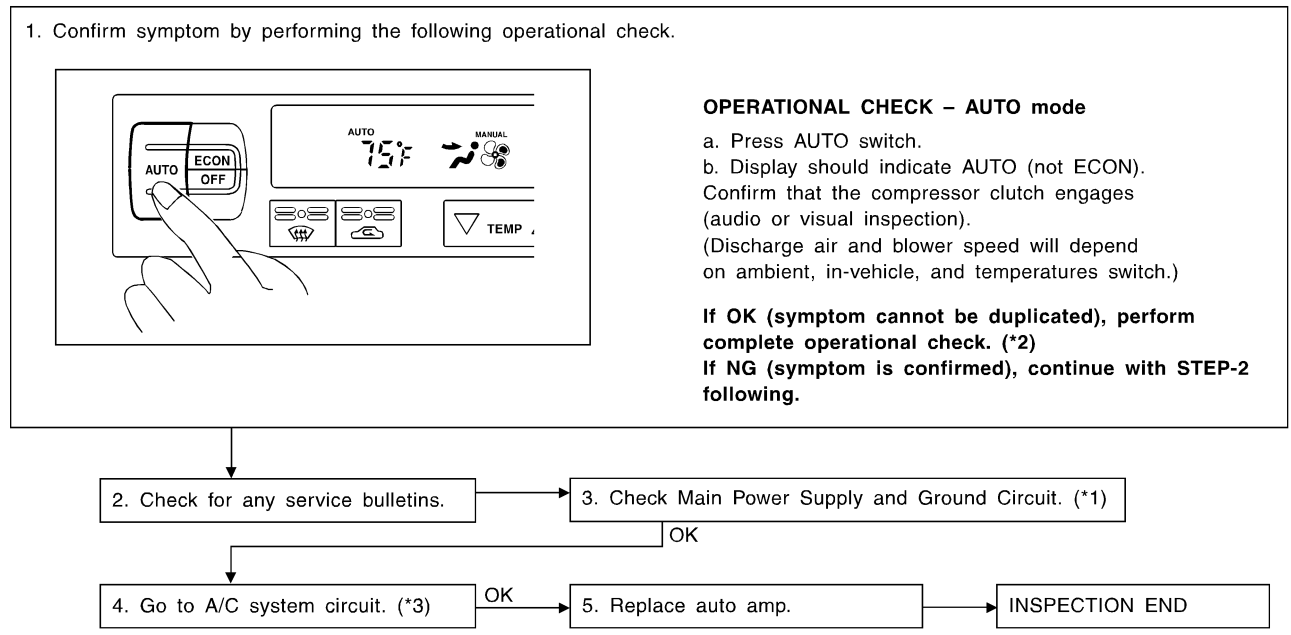
=NCHA0089

**SYMPTOM:**

- A/C system does not come on.

**INSPECTION FLOW**

GI  
MA  
EM  
LC  
EC  
FE  
CL  
MT  
AT  
AX  
SU  
BR  
ST  
RS  
BT



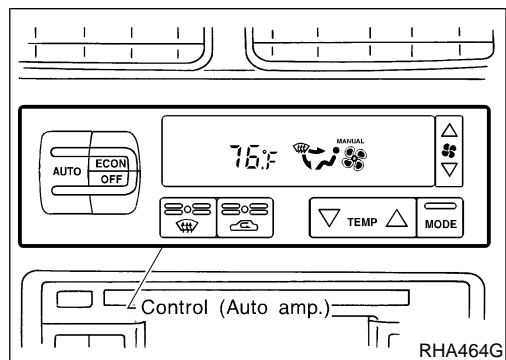
\*1: HA-45

\*2: HA-42

\*3: HA-46

SHA348F

**HA**



**COMPONENT DESCRIPTION**

**Automatic Amplifier (Auto Amp.)**

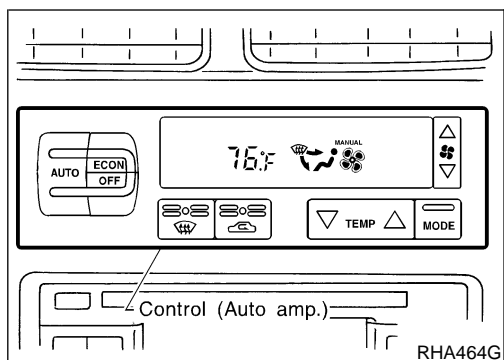
NCHA0037

NCHA0037S01

The auto amplifier has a built-in microcomputer which processes information sent from various sensors needed for air conditioner operation. The mode door motor, air mix door motor, intake door motor, blower motor and compressor are then controlled. The auto amplifier is unitized with control mechanisms. Signals from various switches and Potentio Temperature Control (PTC) are directly entered into auto amplifier. Self-diagnostic functions are also built into auto amplifier to provide quick check of malfunctions in the auto air conditioner system.

SC  
EL  
IDX

## A/C System (Cont'd)



### Potential Temperature Control (PTC)

NCHA0037S03

The PTC is built into the A/C auto amp. It can be set at an interval of 0.5°C (1.0°F) in the 18°C (65°F) to 32°C (85°F) temperature range by pushing the temperature button. The set temperature is digitally displayed.

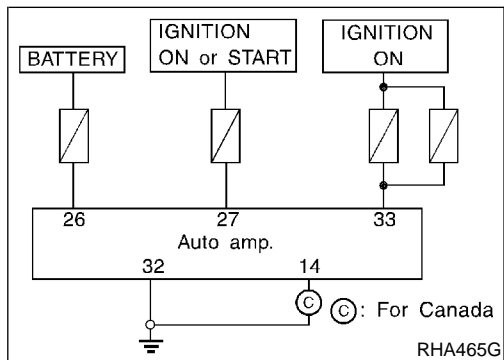
### MAIN POWER SUPPLY AND GROUND CIRCUIT CHECK

NCHA0182

#### Power Supply Circuit Check

NCHA0182S01

Check power supply circuit for air conditioner system. Refer to EL-10, "Wiring Diagram — POWER —".

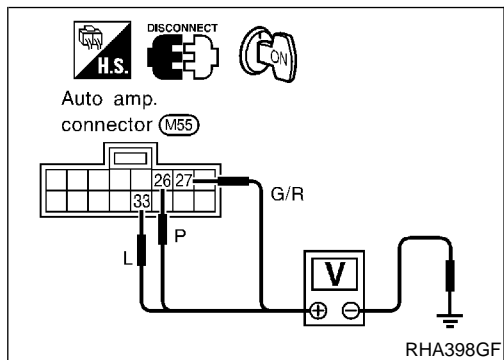


### DIAGNOSTIC PROCEDURE

NCHA0107

#### SYMPTOM:

- A/C system does not come on.



#### Auto Amp. Check

NCHA0107S01

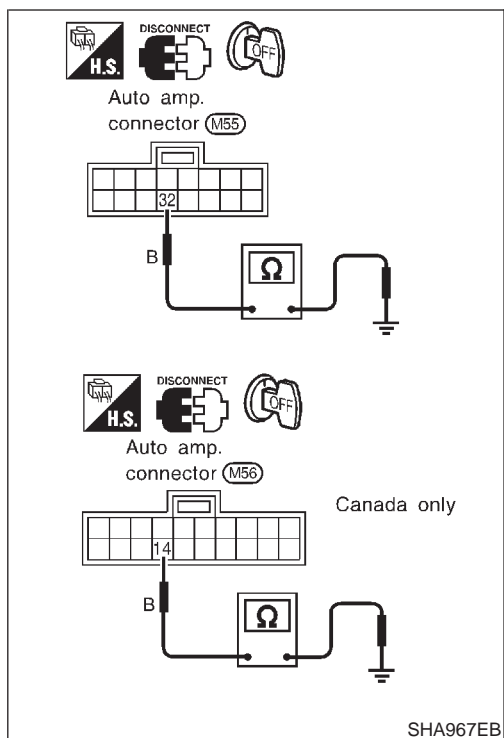
Check power supply circuit for auto amp. with ignition switch ON. Measure voltage across terminal Nos. 26, 27, 33 and body ground.

Voltmeter terminal		Voltage
(+)	(-)	
26	Body ground	Approx. 12V
27		
33		

# TROUBLE DIAGNOSES

**AUTO**

A/C System (Cont'd)



Check body ground circuit for auto amp. with ignition switch OFF. Check for continuity between terminal Nos. 32, 14 and body ground.

Ohmmeter terminal		Continuity
(+)	(-)	
32	Body ground	Yes
14 (Canada only)		

If OK, check auto amp. ground circuit, see below.

If NG, repair or replace harness. Check 7.5A fuse (No. 5), 10A fuse (No. 8) (located in the fuse block) and 15A fuses (Nos. 1 and 2, located in the fuse block).

- If fuses are OK, check for open circuit in wiring harness. Repair or replace as necessary.
- If fuses are NG, replace fuse and check wiring harness for short circuit. Repair or replace as necessary.

**NOTE:**

If OK, replace auto amp.

GI

MA

EM

LC

EC

FE

CL

MT

AT

AX

SU

BR

ST

RS

BT

**HA**

SC

EL

IDX

## Mode Door Motor

### TROUBLE DIAGNOSIS PROCEDURE FOR MODE DOOR MOTOR (LAN)

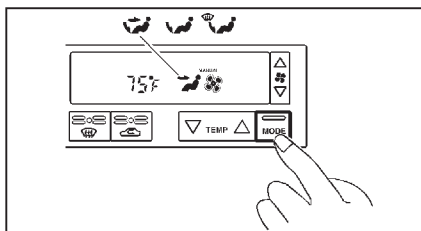
=NCHA0090

**SYMPTOM:**

- Air outlet does not change.
- Mode door motor does not operate normally.

**INSPECTION FLOW**

1. Confirm symptom by performing the following operational check.


**OPERATIONAL CHECK – Discharge air**

- a. Press mode switch four times and DEF button.
- b. Each position indicator should change shape.

- c. Confirm that discharge air comes out according to the air distribution table at left.

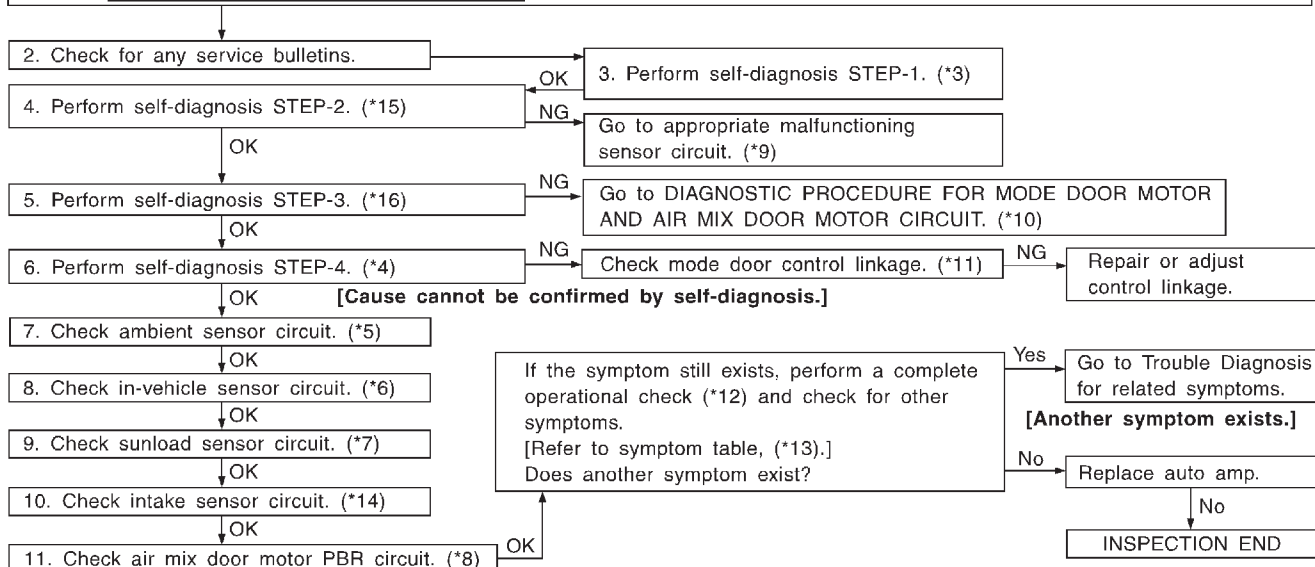
Refer to "Discharge Air Flow" (\*1).

**NOTE:**

- If OK (symptom cannot be duplicated), perform complete operational check (\*2).
- If NG (symptom is confirmed), continue with STEP-2 following.
- Confirm that the compressor clutch is engaged (visual inspection) and intake door position is at FRESH when DEF is selected. Intake door position is checked in the next step.

**Discharge air flow**

Mode switch	Air outlet/distribution		
	Face	Foot	Defroster
	100%	–	–
	60%	40%	–
	–	80%	20%
	–	60%	40%
	–	–	100%



SHA173F

\*1: HA-21

\*2: HA-42

\*3: HA-32

\*4: STEP-BY-STEP PROCEDURE (HA-32), see No. 7.

\*5: HA-92

\*6: HA-95

\*7: HA-99

\*8: HA-104

\*9: STEP-BY-STEP PROCEDURE (HA-32), see No. 12.

\*10: HA-50

\*11: HA-53

\*12: HA-42

\*13: HA-41

\*14: HA-102

\*15: HA-32

\*16: HA-32

## SYSTEM DESCRIPTION

### Component Parts

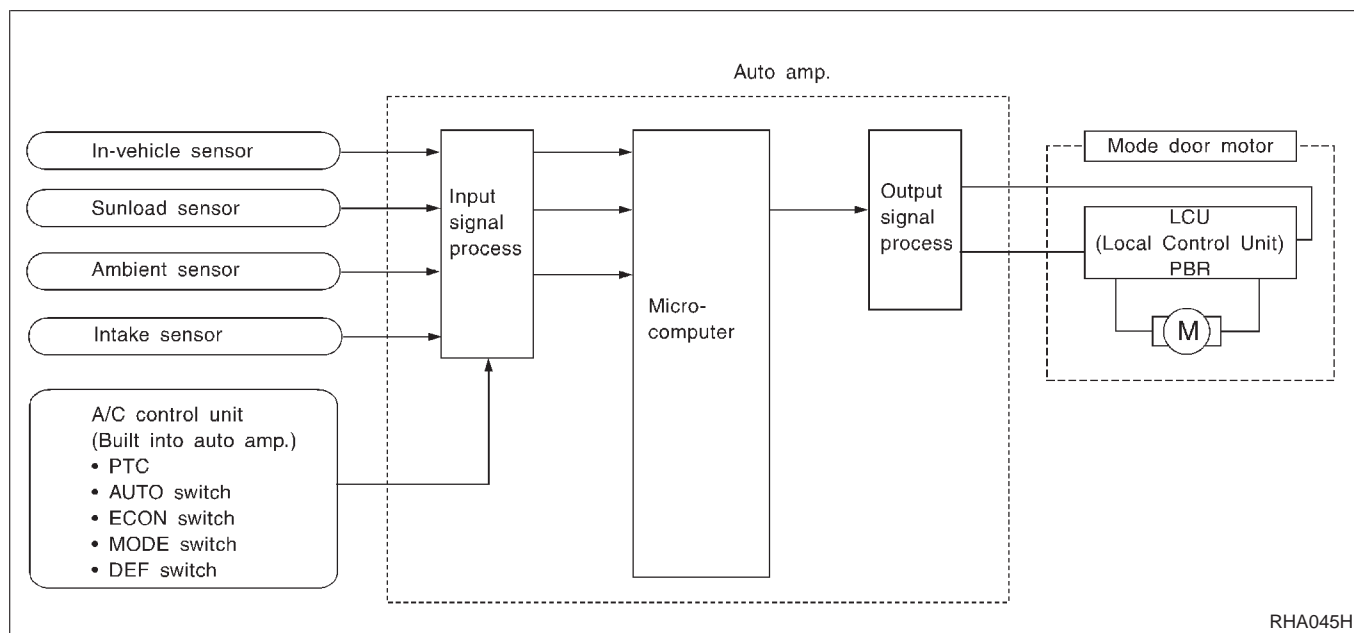
Mode door control system components are:

- 1) Auto amp.
- 2) Mode door motor (LCU)
- 3) In-vehicle sensor
- 4) Ambient sensor
- 5) Sunload sensor
- 6) Intake sensor

### System Operation

The auto amplifier receives data from each of the sensors. The amplifier sends air mix door and mode door opening angle data to the air mix door motor LCU and mode door motor LCU.

The mode door motor and air mix door motor read their respective signals according to the address signal. Opening angle indication signals received from the auto amplifier and each of the motor position sensors are compared by the LCUs in each motor with the existing decision and opening angles. Subsequently, HOT/ COLD or DEFROST/VENT operation is selected. The new selection data is returned to the auto amplifier.



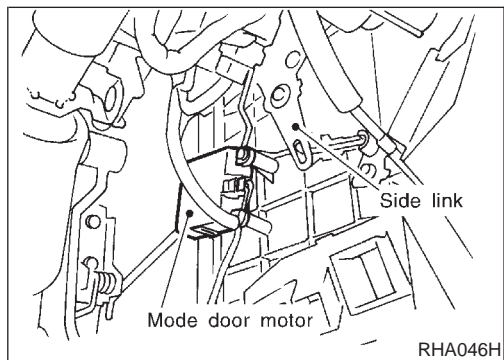
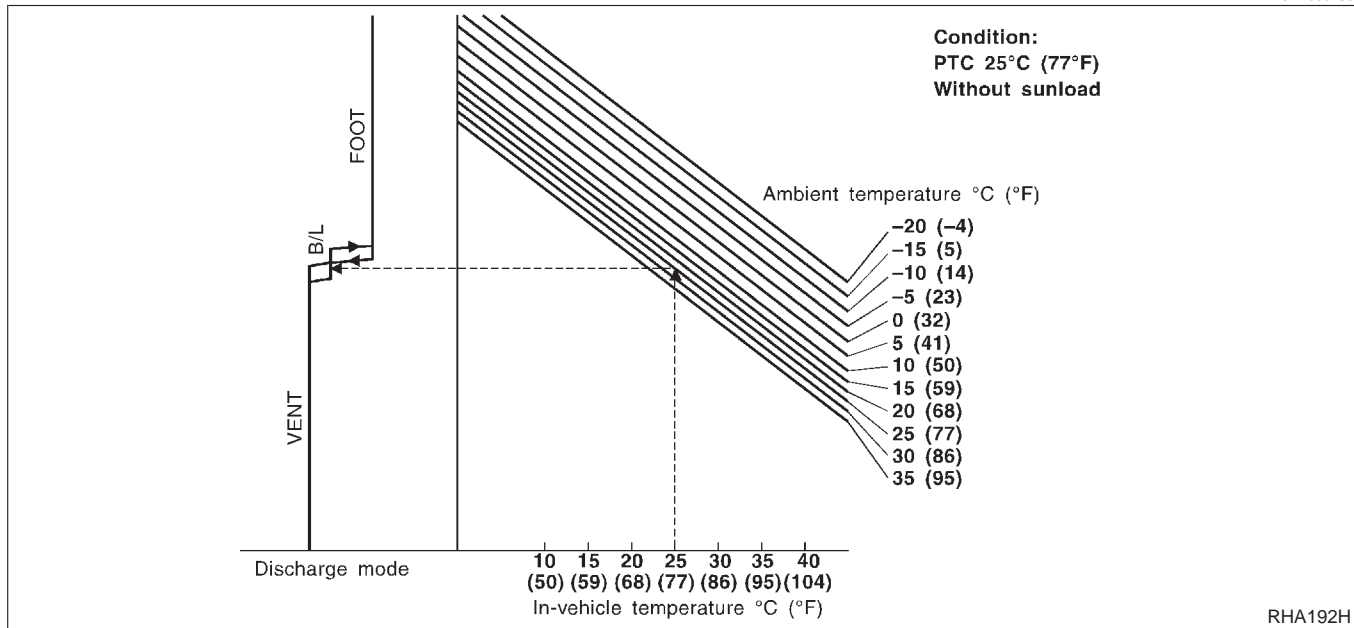
RHA045H

GI  
MA  
EM  
LC  
EC  
FE  
CL  
MT  
AT  
AX  
SU  
BR  
ST  
RS  
BT  
HA  
SC  
EL  
IDX

Mode Door Motor (Cont'd)

## Mode Door Control Specification

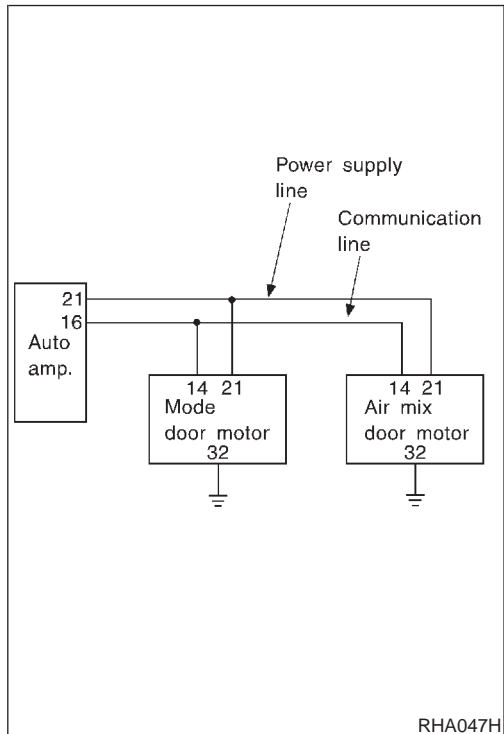
NCHA0052S03



### COMPONENT DESCRIPTION

NCHA0053

The mode door motor is attached to the heater unit. It rotates so that air is discharged from the outlet set by the auto amplifier. Motor rotation is conveyed to a link which activates the mode door.



### DIAGNOSTIC PROCEDURE FOR MODE DOOR MOTOR AND AIR MIX DOOR MOTOR CIRCUIT

NCHA0104

**SYMPTOM:** Mode door motor and/or air mix door motor does not operate normally.



<b>1</b>	<b>CHECK POWER SUPPLY FOR AUTO AMP. (LCU) SIDE</b>
<p>Do approx. 12 volts exist between auto amp. (LCU) harness terminal No. 21 and body ground?</p> <div style="text-align: center;"> <p>Auto amp. connector (M55)</p> </div> <p style="text-align: right;">SHA966EB</p> <p><b>NOTE:</b> If the result is NG or No after checking circuit continuity, repair harness or connector.</p> <p style="text-align: center;"><b>Yes or No</b></p>	
Yes	▶ GO TO 2.
No	▶ Replace auto amp. (LCU).

GI  
MA  
EM  
LC  
EC  
FE  
CL

<b>2</b>	<b>CHECK SIGNAL FOR AUTO AMP. (LCU) SIDE</b>
<p>Do approx. 5.5 volts exist between auto amp. (LCU) terminal No. 16 and body ground?</p> <div style="text-align: center;"> <p>Auto amp. connector (M56)</p> </div> <p style="text-align: right;">SHA965EB</p> <p><b>NOTE:</b> If the result is NG or No after checking circuit continuity, repair harness or connector.</p> <p style="text-align: center;"><b>Yes or No</b></p>	
Yes	▶ GO TO 3.
No	▶ Replace auto amp. (LCU).

MT  
AT  
AX  
SU  
BR  
ST  
RS

<b>3</b>	<b>CHECK POWER SUPPLY FOR MOTOR SIDE</b>
<p>Do approx. 12 volts exist between door motor (LCU) harness terminal No. 21 and body ground?</p> <div style="text-align: center;"> <p>Mode door motor connector (M44) or air mix door motor connector (M45)</p> </div> <p style="text-align: right;">SHA172F</p> <p style="text-align: center;"><b>Yes or No</b></p>	
Yes	▶ GO TO 4.
No	▶ Repair harness or connector.

BT  
HA  
SC  
EL  
IDX

Mode Door Motor (Cont'd)

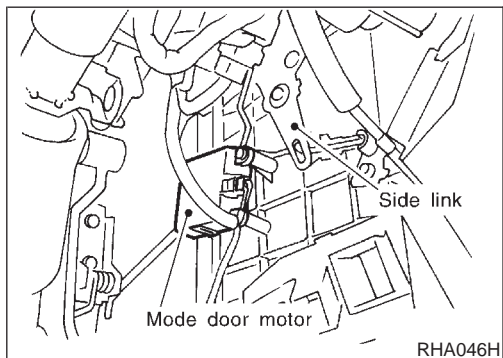
<b>4</b>	<b>CHECK SIGNAL FOR MOTOR SIDE</b>	
Do approx. 5.5 volts exist between door motor (LCU) terminal No. 14 and body ground?		
RHA048H		
<b>Yes or No</b>		
Yes	▶	GO TO 5.
No	▶	Repair harness or connector.

<b>5</b>	<b>CHECK MOTOR GROUND CIRCUIT</b>	
Does continuity exist between door motor (LCU) harness terminal No. 32 and body ground?		
RHA581H		
<b>Yes or No</b>		
Yes	▶	GO TO 6.
No	▶	Repair harness or connector.

<b>6</b>	<b>CHECK MOTOR OPERATION</b>	
Disconnect and reconnect the motor connector and confirm the motor operation.		
<b>OK or NG</b>		
OK (Return to operate normally)	▶	Poor contacting the motor connector
NG (Does not operate normally)	▶	GO TO 7.

<b>7</b>	<b>CHECK MODE DOOR MOTOR OPERATION</b>	
1. Disconnect the mode door motor and air mix door motor connector. 2. Reconnect the mode door motor and confirm the motor operation.		
<b>OK or NG</b>		
OK (Mode door motor operates normally)	▶	Replace the air mix door motor.
NG (Mode door motor does not operate normally)	▶	GO TO 8.

<b>8</b>	<b>CHECK AIR MIX DOOR MOTOR OPERATION</b>	
1. Disconnect the mode door motor connector. 2. Reconnect the air mix door motor and confirm the air mix door motor operation.		
<b>OK or NG</b>		
OK (Air mix door motor operates normally)	▶	Replace mode door motor.
NG (Air mix door motor does not operate normally)	▶	Replace auto amp.



## CONTROL LINKAGE ADJUSTMENT

*NCHA0091*

### Mode Door

*NCHA0091S01*

1. Install mode door motor on heater unit and connect it to main harness.
2. Set up code No. in Self-diagnosis STEP 4. Refer to HA-32.
3. Move side link by hand and hold mode door in DEF mode.
4. Attach mode door motor rod to side link rod holder.
5. Make sure mode door operates properly when changing from code No. 41 to 46 by pushing DEF switch.

<b>41</b>	<b>42</b>	<b>43</b>	<b>44</b>	<b>45</b>	<b>46</b>
VENT	B/L	B/L	FOOT	D/F	DEF

GI  
MA  
EM  
LC  
EC  
FE  
CL  
MT  
AT  
AX  
SU  
BR  
ST  
RS  
BT  
HA  
SC  
EL  
IDX

## Air Mix Door Motor

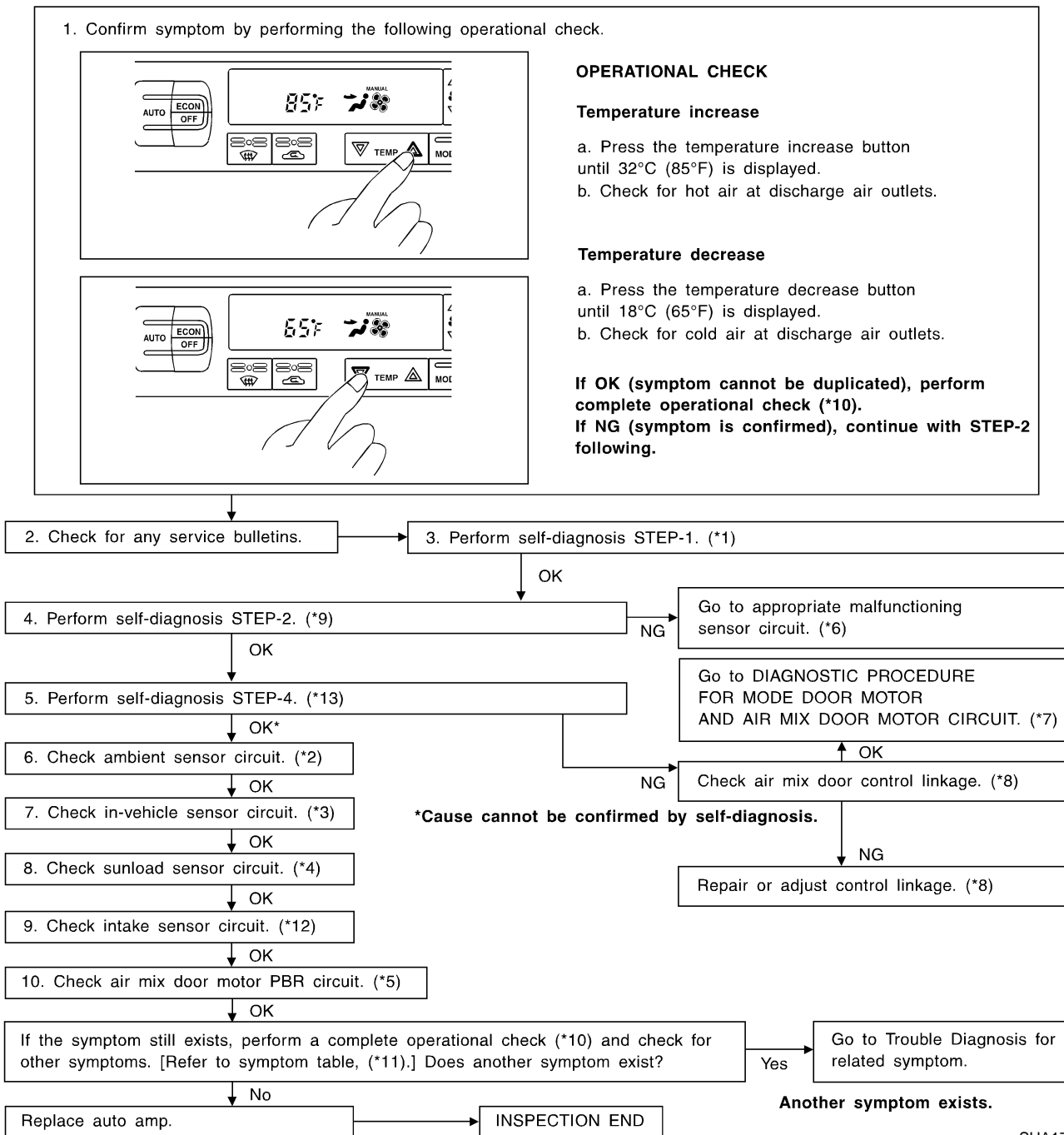
### TROUBLE DIAGNOSIS PROCEDURE FOR AIR MIX DOOR (LAN)

=NCHA0098

**SYMPTOM:**

- Discharge air temperature does not change.
- Air mix door motor does not operate.

**INSPECTION FLOW**



\*1: HA-32  
\*2: HA-92  
\*3: HA-95  
\*4: HA-99  
\*5: HA-104

\*6: STEP-BY-STEP PROCEDURE (HA-32), see No. 12.  
\*7: HA-50  
\*8: HA-56  
\*9: HA-32

\*10: HA-42  
\*11: HA-41  
\*12: HA-102  
\*13: HA-32

SHA174FA

## SYSTEM DESCRIPTION

### Component Parts

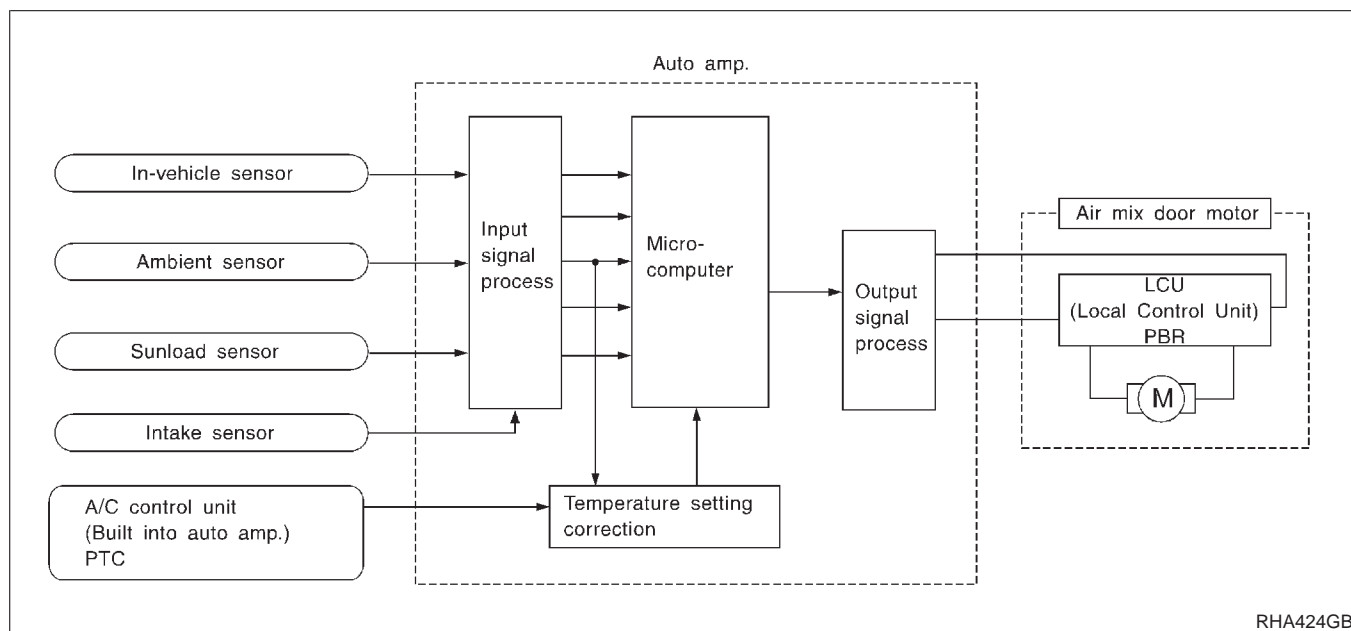
Air mix door control system components are:

- 1) Auto amp.
- 2) Air mix door motor (LCU)
- 3) In-vehicle sensor
- 4) Ambient sensor
- 5) Sunload sensor
- 6) Intake sensor

### System Operation

The auto amplifier receives data from each of the sensors. The amplifier sends air mix door and mode door opening angle data to the air mix door motor LCU and mode door motor LCU.

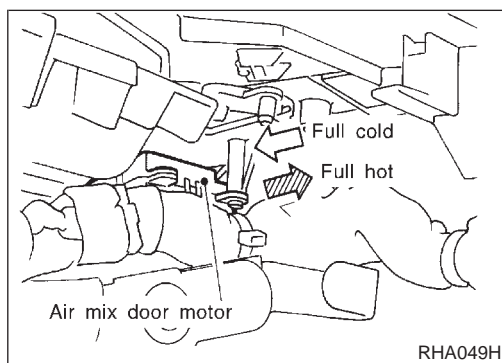
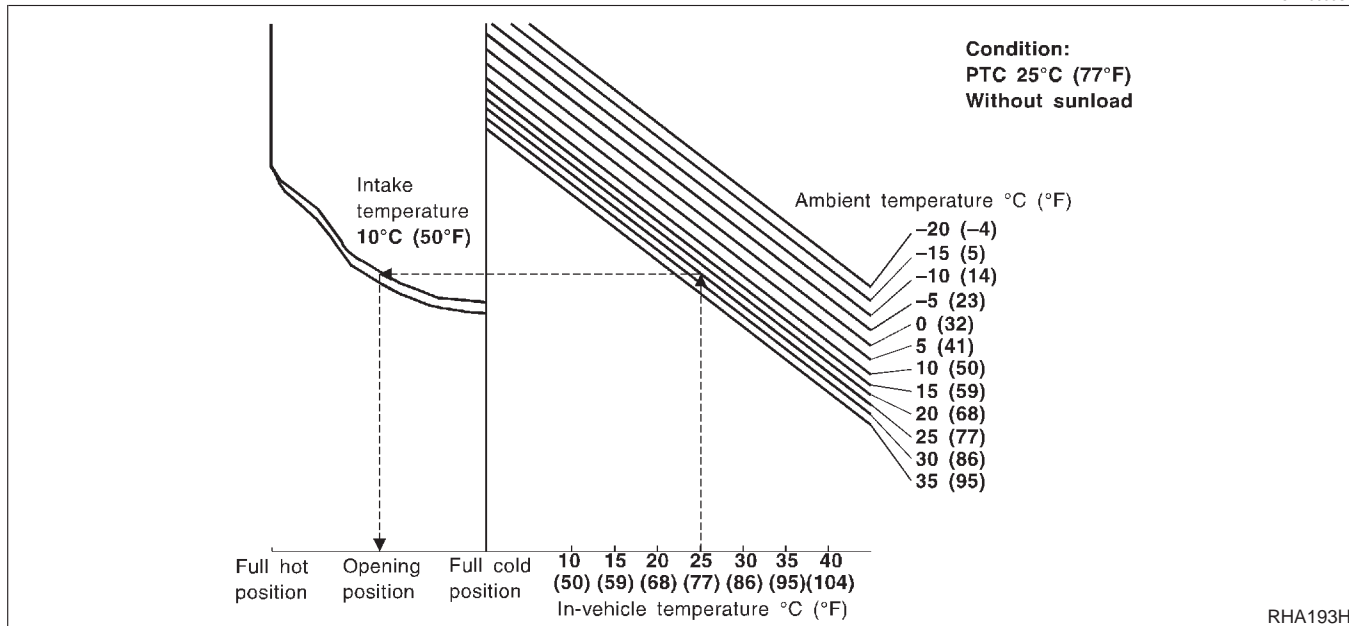
The air mix door motor and mode door motor read their respective signals according to the address signal. Opening angle indication signals received from the auto amplifier and each of the motor position sensors are compared by the LCUs in each motor with the existing decision and opening angles. Subsequently, HOT/COLD or DEFROST/VENT operation is selected. The new selection data is returned to the auto amplifier.



GI  
 MA  
 EM  
 LC  
 EC  
 FE  
 CL  
 MT  
 AT  
 AX  
 SU  
 BR  
 ST  
 RS  
 BT  
 HA  
 SC  
 EL  
 IDX

## Air Mix Door Control Specification

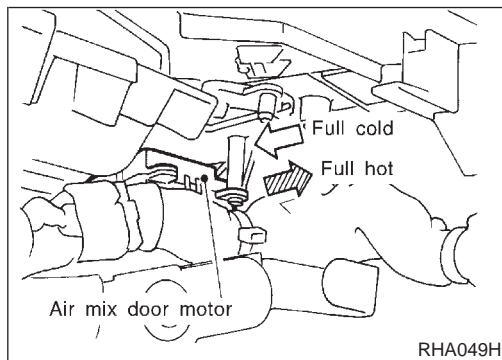
NCHA0059S03



### COMPONENT DESCRIPTION

NCHA0060

The air mix door motor is attached to the heater unit. It rotates so that the air mix door is opened or closed to a position set by the auto amplifier. Motor rotation is then conveyed through a shaft and the air mix door position is then fed back to the auto amplifier by PBR built-in air mix door motor.



### CONTROL LINKAGE ADJUSTMENT

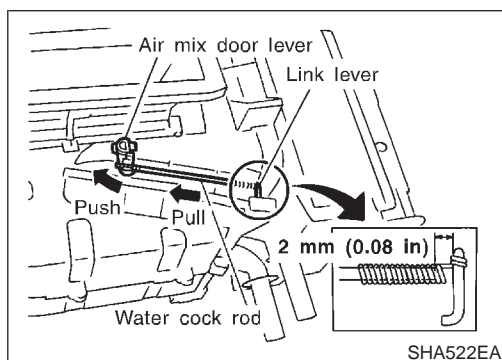
NCHA0099

#### Air Mix Door (Water Cock)

NCHA0099S01

1. Install air mix door motor on heater unit and connect it to main harness.
2. Set up code No. 41 in Self-diagnosis STEP 4. Refer to HA-32.
3. Move air mix door lever by hand and hold it in full cold position.
4. Attach air mix door lever to rod holder.
5. Make sure air mix door operates properly when changing from code No. 41 to 45 by pushing DEF switch.

41	42	43	44	45	46
Full cold			Full hot		



6. Set up code No. 41 in Self-diagnosis STEP 4.
7. Attach water cock rod to air mix door lever and secure with clip.
8. Rotate air mix door lever (CLOCKWISE completely) and hold water cock rod and link lever in the full cold position.
9. Attach water cock rod to link lever and secure with clip (white mark on cable housing should be centered under the retaining clip).

# TROUBLE DIAGNOSES

**AUTO**

*Air Mix Door Motor (Cont'd)*

10. Check that water cock operates properly when changing from code No. 41 to 45 by pushing DEF switch. (After several cycles, water cock lever should be midpoint of plate opening when code No. 41 is set.)

GI

MA

EM

LC

EC

FE

CL

MT

AT

AX

SU

BR

ST

RS

BT

**HA**

SC

EL

IDX

## Intake Door Motor

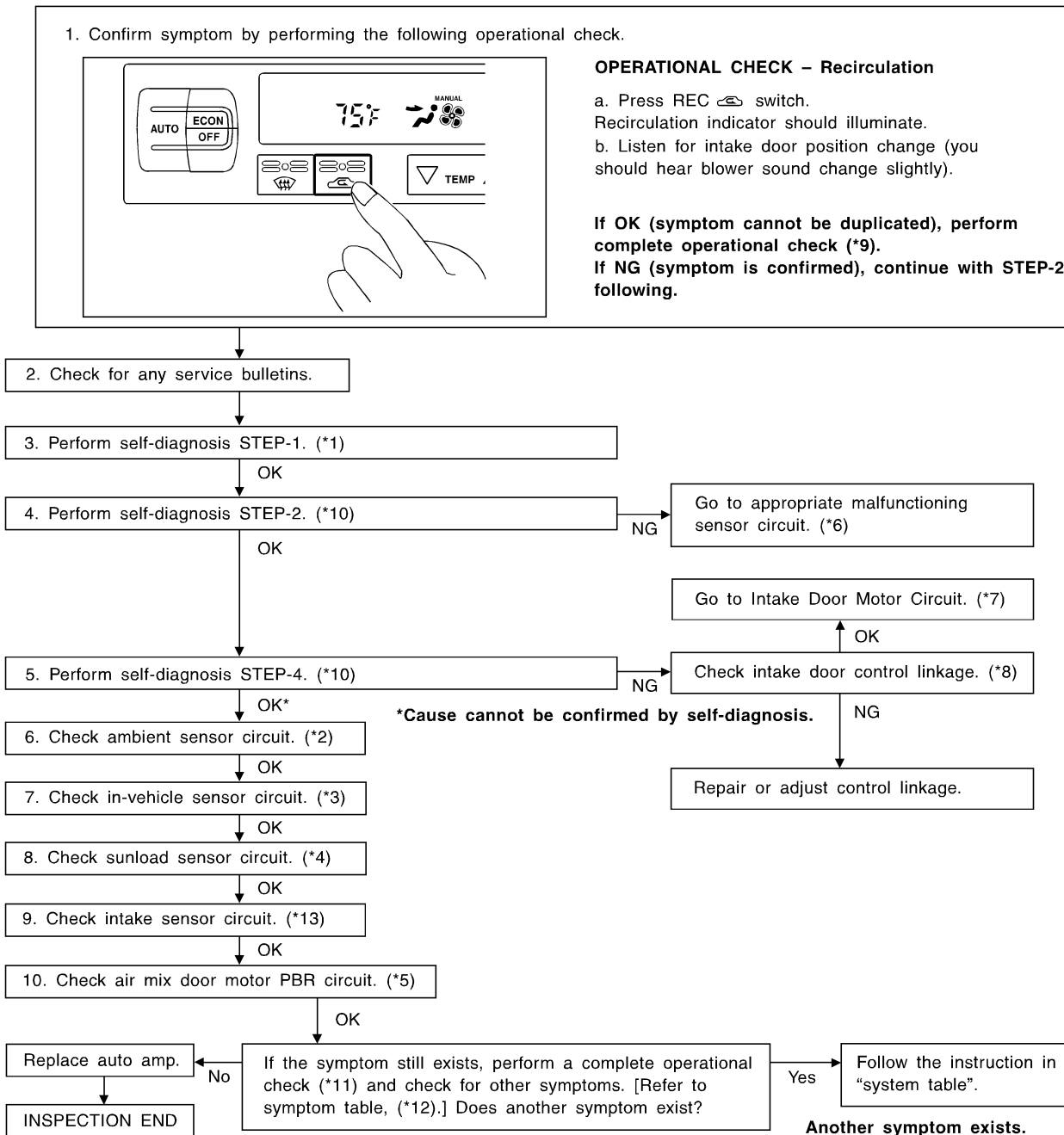
### TROUBLE DIAGNOSIS PROCEDURE FOR INTAKE DOOR

=NCHA0092

**SYMPTOM:**

- Intake door does not change.
- Intake door motor does not operate normally.

**INSPECTION FLOW**



\*1: HA-32  
 \*2: HA-92  
 \*3: HA-95  
 \*4: HA-99  
 \*5: HA-104

\*6: STEP-BY-STEP PROCEDURE (HA-32), see No. 12.  
 \*7: HA-60  
 \*8: HA-64  
 \*9: HA-42

\*10: HA-32  
 \*11: HA-42  
 \*12: HA-41  
 \*13: HA-102

SHA175FA



## SYSTEM DESCRIPTION

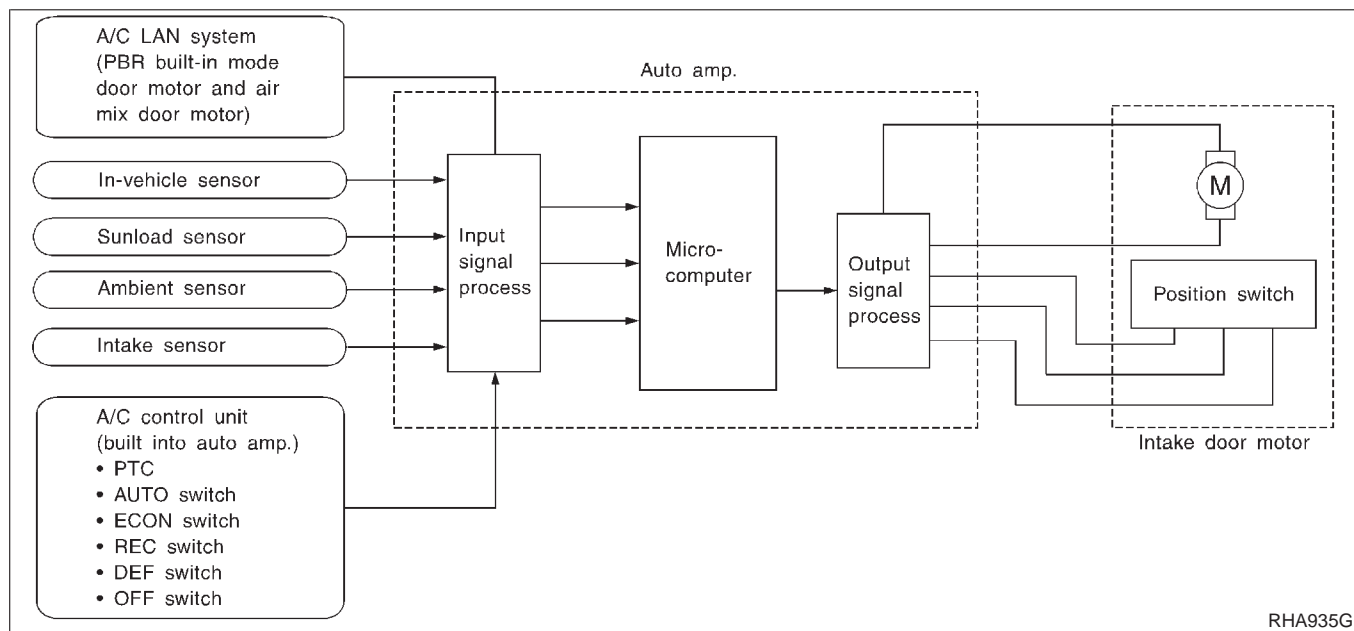
### Component Parts

Intake door control system components are:

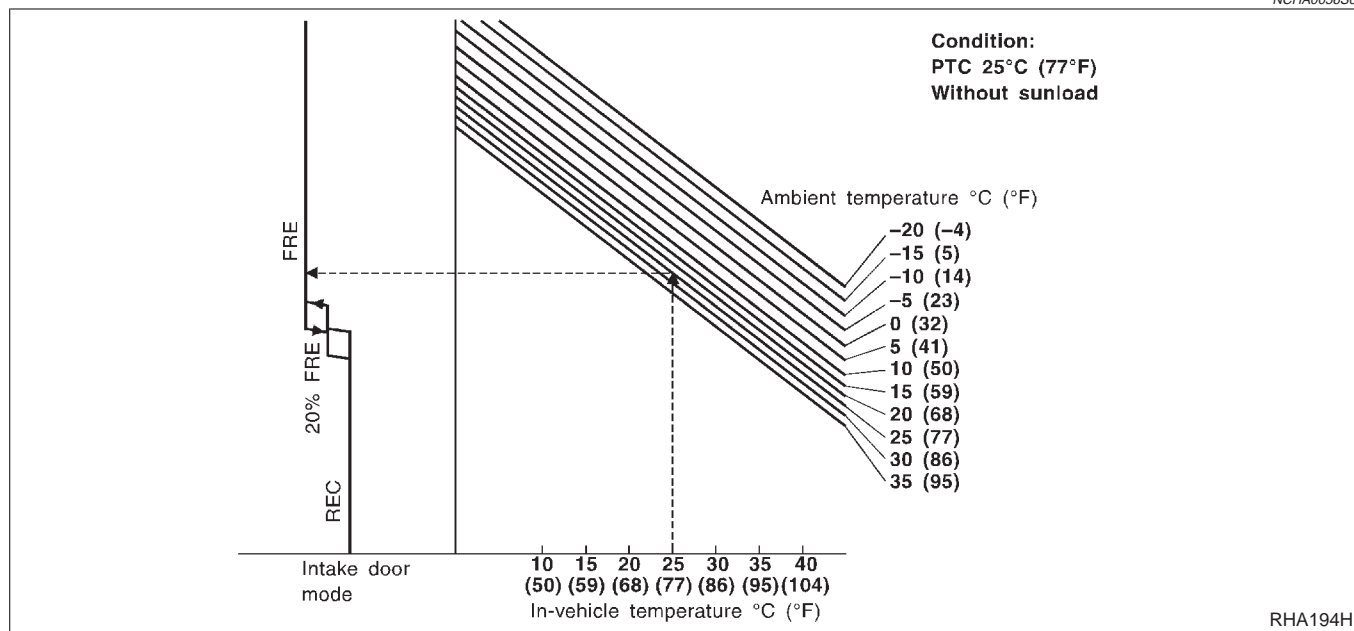
- 1) Auto amp.
- 2) Intake door motor
- 3) A/C LAN system (PBR built-in mode motor and air mix door motor)
- 4) In-vehicle sensor
- 5) Ambient sensor
- 6) Sunload sensor
- 7) Intake sensor

### System Operation

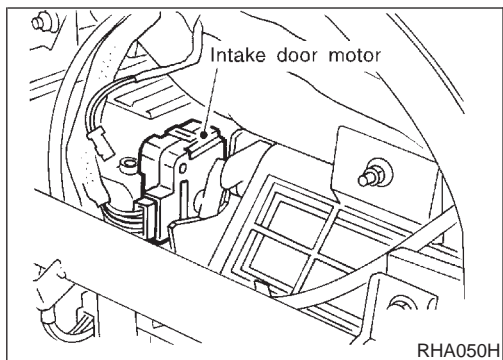
The intake door control determines intake door position based on the ambient temperature, the intake air temperature and the in-vehicle temperature. When the ECON, DEFROST, or OFF switches are pushed, the auto amplifier sets the intake door at the "Fresh" position.



### Intake Door Control Specification

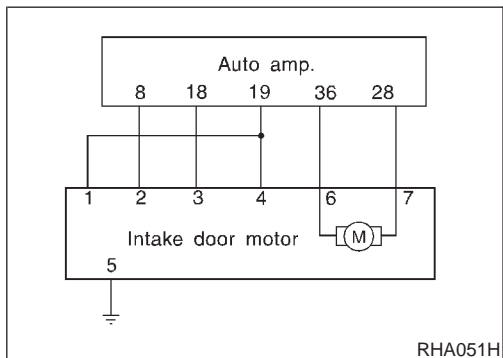


## Intake Door Motor (Cont'd)



### COMPONENT DESCRIPTION

The intake door motor is attached to the intake unit. It rotates so that air is drawn from inlets set by the auto amplifier. Motor rotation is conveyed to a lever which activates the intake door. NCHA0057



### DIAGNOSTIC PROCEDURE

**SYMPTOM:** Intake door motor does not operate normally. NCHA0058

- Perform Self-diagnosis STEPS 1 before referring to the test group.

<b>1</b>	<b>CHECK BODY GROUND CIRCUIT FOR INTAKE DOOR MOTOR</b>
<p>Does continuity exist between intake door harness terminal No. 5 and body ground?</p> <div style="text-align: center;"> </div> <p style="text-align: right;">RHA052H</p>	
<b>Yes or No</b>	
Yes	▶ GO TO 2.
No	▶ Repair harness or connector.

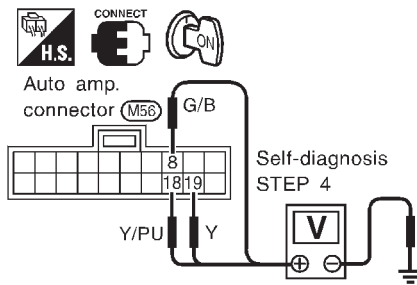
# TROUBLE DIAGNOSES

**AUTO**

*Intake Door Motor (Cont'd)*

## 2 CHECK FOR AUTO AMP. OUTPUT

Set up Self-diagnosis STEP 4.  
Measure voltage across auto amp. harness terminals and body ground.



RHA493GB

Code No.	Terminals No.		Condition	Voltage V
	(+)	(-)		
41	8	Body ground	REC	5
42	18 or 19			0
43	19		20% FRE	5
	8 or 18			0
44	18		FRE	5
45	8 or 19			0
46				

0V: Approx. 0V  
5V: Approx. 5V

MTBL0076

**OK or NG**

OK ► INSPECTION END

NG ► GO TO 3.

GI

MA

EM

LC

EC

FE

CL

MT

AT

AX

SU

BR

ST

RS

BT

**HA**

SC

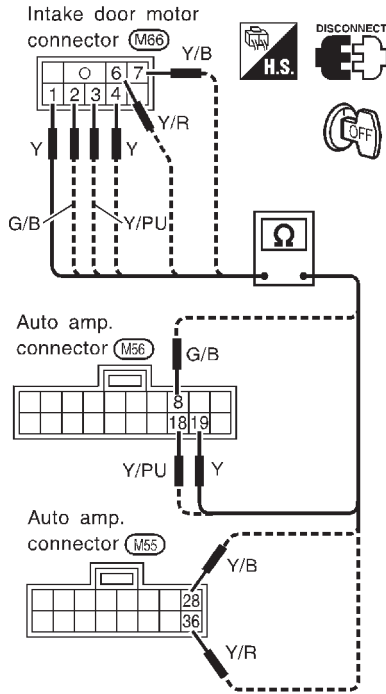
EL

IDX

Intake Door Motor (Cont'd)

3

**CHECK CIRCUIT CONTINUITY BETWEEN EACH TERMINAL ON AUTO AMP. AND ON INTAKE DOOR MOTOR**



RHA053H

Terminal No.		Continuity
Auto amp.	Intake door motor	
(19)	4	Yes
(8)	2	
(18)	3	
(19)	1	
(28)	7	
(36)	6	

MTBL0377

**Continuity should exist.**

**If OK, check harness for short.**

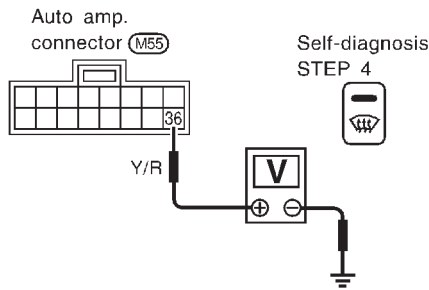
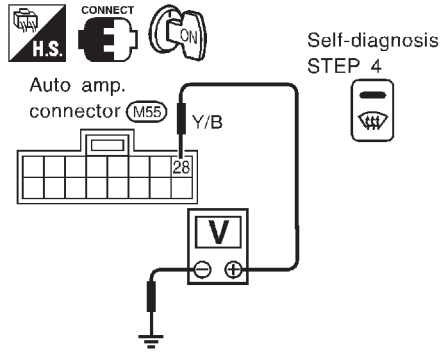
**OK or NG**

OK                      ►      GO TO 4.

NG                      ►      Repair harness or connector.

**4 CHECK FOR AUTO AMP. OUTPUT**

Set up Self-diagnosis STEP 4.  
Measure voltage across auto amp. harness terminals and body ground.



RHA506GB

Code No.	Terminals No.		Condition	Voltage V
	(+)	(-)		
41	28	Body ground	REC	12
42	36			0
44	28	Body ground	FRE	0
45	36			12

0V: Approx. 0V  
12V: Approx. 12V

MTBL0078

**OK or NG**

OK ► Replace intake door motor.

NG ► Replace auto amp.

GI

MA

EM

LC

EC

FE

CL

MT

AT

AX

SU

BR

ST

RS

BT

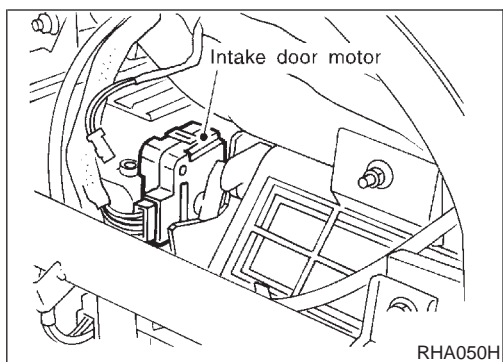
**HA**

SC

EL

IDX

Intake Door Motor (Cont'd)



CONTROL LINKAGE ADJUSTMENT

=NCHA0093

Intake Door

NCHA0093S01

1. Install intake door motor on intake unit and connect it to main harness.
2. Set up code No. 41 in Self-diagnosis STEP 4. Refer to HA-32.
3. Move intake door link by hand and hold it in REC position.
4. Attach intake door lever to rod holder.
5. Make sure intake door operates properly when changing from code No. 41 to 46 by pushing DEF switch.

41	42	43	44	45	46
REC		20% FRE	FRE		

## Blower Motor

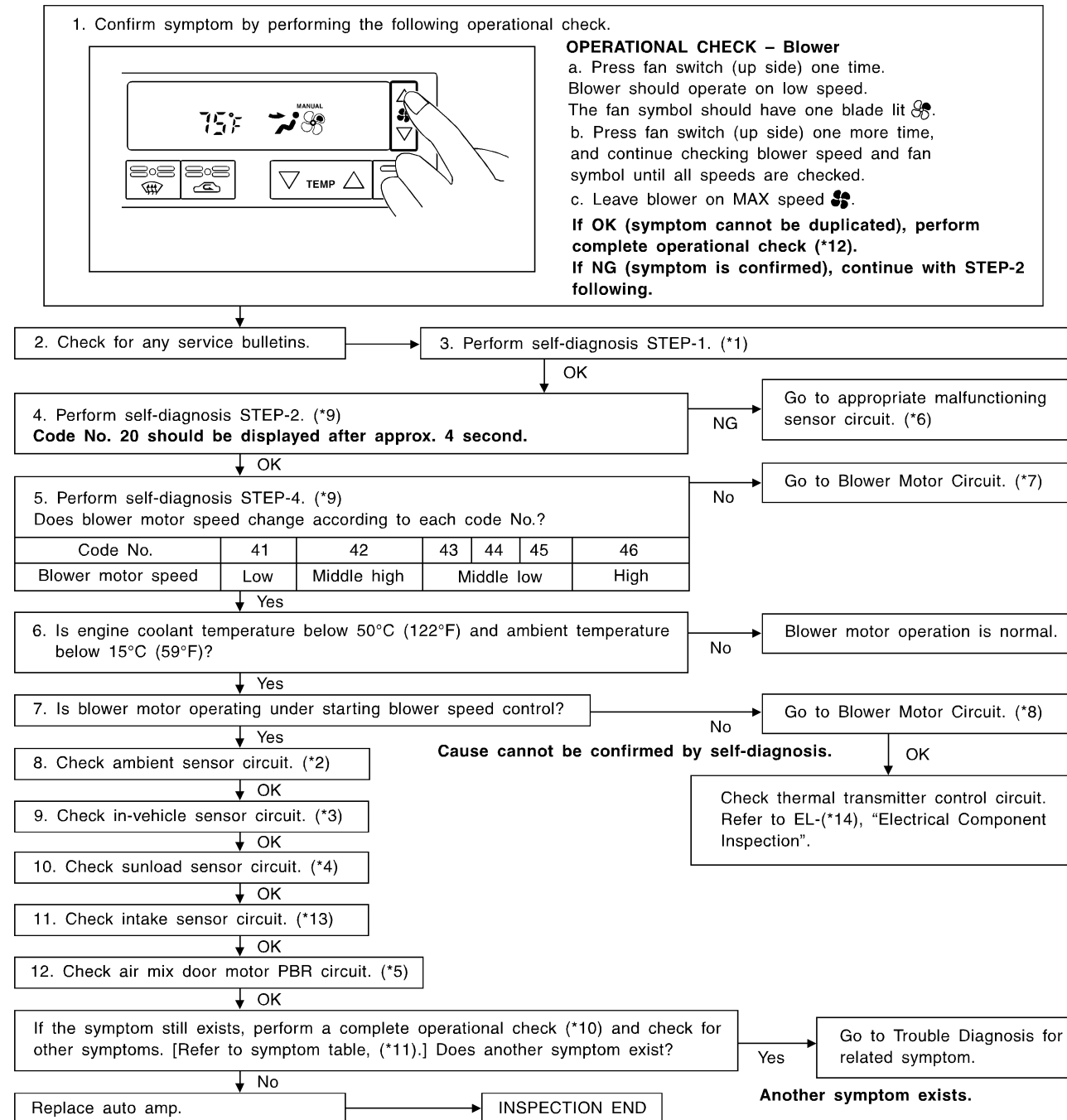
### TROUBLE DIAGNOSIS PROCEDURE FOR BLOWER MOTOR

=NCHA0094

**SYMPTOM:**

- Blower motor operation is malfunctioning.
- Blower motor operation is malfunctioning under out of starting fan speed control.

**INSPECTION FLOW**



\*1: HA-32  
\*2: HA-92  
\*3: HA-95  
\*4: HA-99  
\*5: HA-104

\*6: STEP-BY-STEP PROCEDURE (HA-32), see No. 12.  
\*7: HA-67  
\*8: HA-67  
\*9: HA-32

\*10: HA-42  
\*11: HA-41  
\*12: HA-42  
\*13: HA-102  
\*14: EL-97

SHA356F

Blower Motor (Cont'd)

**SYSTEM DESCRIPTION**

=NCHA0062

**Component Parts**

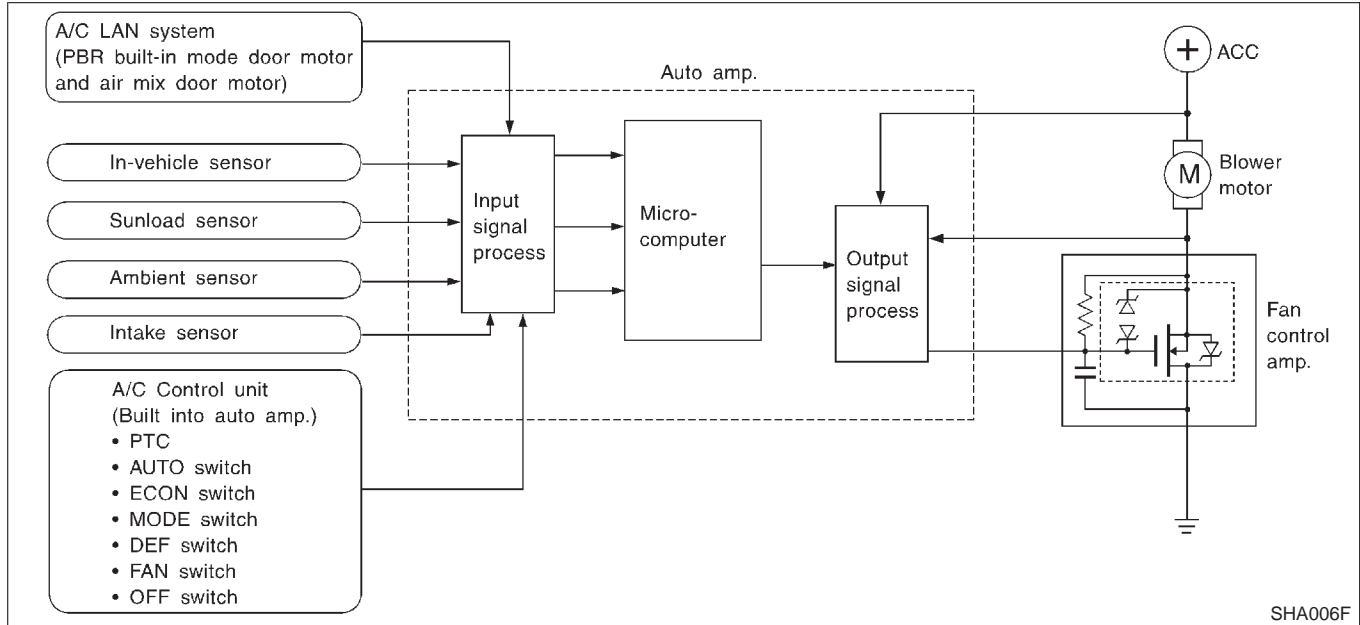
NCHA0062S01

Fan speed control system components are:

- 1) Auto amp.
- 2) Fan control amp.
- 3) A/C LAN system (PBR built-in mode door motor and air mix door motor)
- 4) In-vehicle sensor
- 5) Ambient sensor
- 6) Sunload sensor
- 7) Intake sensor

**System Operation**

NCHA0062S02



SHA006F

**Automatic Mode**

NCHA0062S03

In the automatic mode, the blower motor speed is calculated by the automatic amplifier based on inputs from the PBR, in-vehicle sensor, sunload sensor, intake sensor and ambient sensor. The blower motor applied voltage ranges from approximately 5 volts (lowest speed) to 12 volts (highest speed).

The control blower speed (in the range of 5 to 12V), the automatic amplifier supplies a gate voltage to the fan control amplifier. Based on this voltage, the fan control amplifier controls the voltage supplied to the blower motor.

**Starting Fan Speed Control****Start Up From "COLD SOAK" Condition (Automatic mode)**

NCHA0062S04

In a cold start up condition where the engine coolant temperature is below 50°C (122°F), the blower will not operate for a short period of time (up to 126 seconds). The exact start delay time varies depending on the ambient and engine coolant temperature.

In the most extreme case (very low ambient) the blower starting delay will be 126 seconds as described above. After this delay, the blower will operate at low speed until the engine coolant temperature rises above 55°C (131°F), at which time the blower speed will increase to the objective speed.

**Start Up From Normal or "HOT SOAK" Condition (Automatic mode)**

NCHA0062S0402

The blower will begin operation momentarily after the AUTO button is pushed. The blower speed will gradually rise to the objective speed over a time period of 3 seconds or less (actual time depends on the objective blower speed).



## Blower Speed Compensation

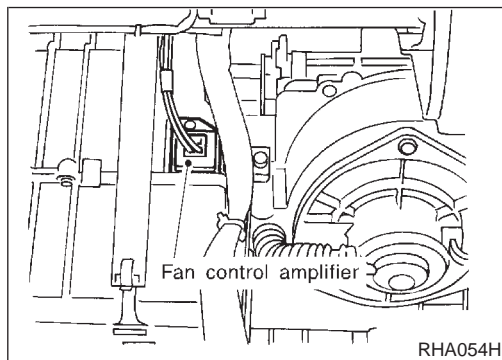
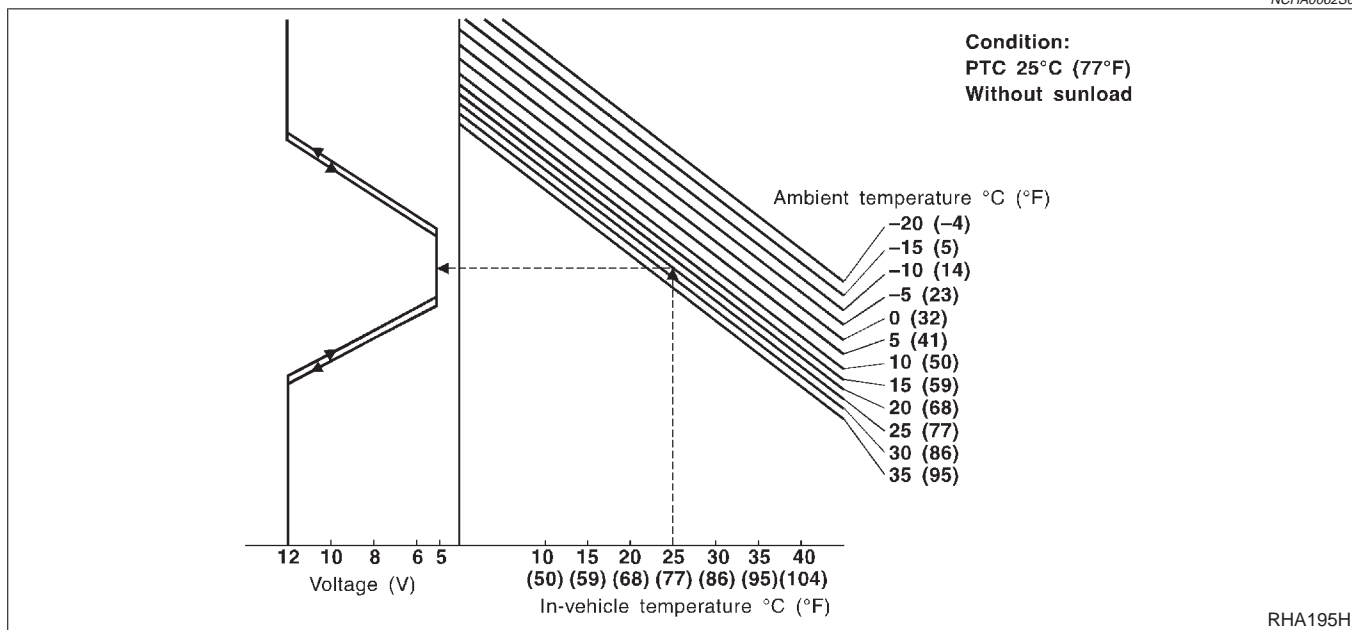
### Sunload

When the in-vehicle temperature and the set temperature are very close, the blower will be operating at low speed. The low speed will vary depending on the sunload. During conditions of high sunload, the blower low speed is "normal" low speed (approx. 6V). During low or no sunload conditions, the low speed will drop to "low" low speed (approx. 5V).

### Ambient

When the ambient temperature is in the "moderate" range [10 - 15°C (50 - 59°F)], the computed blower voltage will be compensated (reduced) by up to 3.5V (depending on the blower speed). In the "extreme" ambient ranges [below 0°C (32°F) and above 20°C (68°F)] the computed objective blower voltage is not compensated at all. In the ambient temperature ranges between "moderate" and "extreme" [0 - 10°C (32 - 50°F) and 15 - 20°C (59 - 68°F)], the amount of compensation (for a given blower speed) varies depending on the ambient temperature.

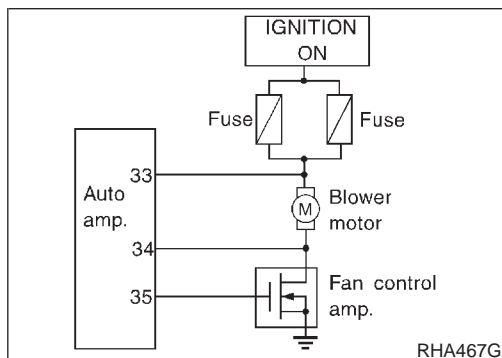
## Fan Speed Control Specification



## COMPONENT DESCRIPTION

### Fan Control Amplifier

The fan control amplifier is located on the cooling unit. The fan control amp. receives a gate voltage from the auto amp. to steplessly maintain the blower fan motor voltage in the 5 to 12 volt range (approx.).



## DIAGNOSTIC PROCEDURE

**SYMPTOM:** Blower motor operation is malfunctioning under Starting Fan Speed Control.

Blower Motor (Cont'd)

<b>1</b>	<b>CHECK POWER SUPPLY FOR FAN AUTO AMP.</b>	
<p>Do approx. 12 volts exist between auto amp. harness terminal No. 33 and body ground?</p> <div style="text-align: center;"> <p style="text-align: center;">Auto amp. connector (M55)</p> </div> <p style="text-align: right;">RHA902HC</p> <p style="text-align: center;"><b>Yes or No</b></p>		
Yes	▶	GO TO 2.
No	▶	<ul style="list-style-type: none"> <li>Check power supply circuit and 15A fuses (Nos. 1 and 2, located in the fuse block). Refer to EL-14, "Wiring Diagram — POWER —".</li> <li>If OK, check for open circuit in wiring harness. Repair or replace as necessary.</li> <li>If NG, replace fuse and check wiring harness for short circuit. Repair or replace as necessary.</li> </ul>

<b>2</b>	<b>CHECK POWER SUPPLY FOR FAN CONTROL AMP.</b>	
<p>Disconnect fan control amp. harness connector.</p> <p>Do approx. 12 volts exist between fan control amp. harness terminal No. 3 and body ground?</p> <div style="text-align: center;"> <p style="text-align: center;">Fan control amp. connector (M65)</p> </div> <p style="text-align: right;">RHA480GA</p> <p style="text-align: center;"><b>Yes or No</b></p>		
Yes	▶	GO TO 3.
No	▶	GO TO 10.

<b>3</b>	<b>CHECK BODY GROUND CIRCUIT FOR FAN CONTROL AMP.</b>	
Does continuity exist between fan control amp. harness terminal No. 1 and body ground?		
<p style="text-align: center;">Fan control amp. connector (M65)</p>		
<b>Yes or No</b>		
Yes	▶	Reconnect fan control amp. harness connector. And GO TO 4.
No	▶	Repair harness or connector.

GI  
MA  
EM  
LC  
EC  
FE

<b>4</b>	<b>CHECK VOLTAGE FOR FAN CONTROL AMP.</b>											
Set up Self-diagnosis STEP 4. Measure voltage across fan control amp. harness terminal No. 2 and body ground.												
<p style="text-align: center;">Fan control amp. connector (M65)</p> <p style="text-align: center;">Self-diagnosis STEP 4</p> <p style="text-align: center;">41-45</p>												
<table border="1" style="margin: auto; border-collapse: collapse;"> <thead> <tr> <th rowspan="2">Code No.</th> <th colspan="2">Terminal No.</th> <th rowspan="2">Voltage</th> </tr> <tr> <th>(+)</th> <th>(-)</th> </tr> </thead> <tbody> <tr> <td style="text-align: center;">41-45</td> <td style="text-align: center;">(2)</td> <td style="text-align: center;">Body ground</td> <td style="text-align: center;">Approx. 2.5 - 3V</td> </tr> </tbody> </table>			Code No.	Terminal No.		Voltage	(+)	(-)	41-45	(2)	Body ground	Approx. 2.5 - 3V
Code No.	Terminal No.			Voltage								
	(+)	(-)										
41-45	(2)	Body ground	Approx. 2.5 - 3V									
<b>OK or NG</b>												
OK	▶	GO TO 5.										
NG	▶	<ul style="list-style-type: none"> <li>● If the voltage is less than 2.5V. Replace fan control amp.</li> <li>● If the voltage is more than 3.0V. GO TO 5.</li> </ul>										

CL  
MT  
AT  
AX  
SU  
BR  
ST  
BT

<b>5</b>	<b>CHECK FAN CONTROL AMP.</b>	
Refer to HA-72.		
<b>OK or NG</b>		
OK	▶	GO TO 5.
NG	▶	1. Replace fan control amp. 2. Go to "STEP-BY-STEP PROCEDURE", HA-32 and perform self-diagnosis STEP 4. Confirm that blower motor operation is normal.

HA  
SC  
EL  
IDX

Blower Motor (Cont'd)

<b>6</b>	<b>CHECK BLOWER MOTOR ROTATION</b>	
Is blower motor rotate when fan speed 1 position with ignition switch at ON?		
<b>Yes or No</b>		
Yes	▶	Replace fan control amp.
No	▶	GO TO 7.

<b>7</b>	<b>CHECK CIRCUIT BETWEEN AUTO AMP. AND FAN CONTROL AMP.</b>	
1. Disconnect auto amp. and fan control amp. harness connector. 2. Check circuit continuity between auto amp. harness terminal No. 35 and fan control amp. harness terminal No. 2. <b>Continuity should exist.</b>		
If OK, check harness for short. <span style="float: right;">RHA056H</span>		
<b>OK or NG</b>		
OK	▶	GO TO 8.
NG	▶	Repair harness or connector.

<b>8</b>	<b>CHECK CIRCUIT CONTINUITY BETWEEN AUTO AMP. AND FAN CONTROL AMP.</b>	
Check circuit continuity between auto amp. harness terminal No. 34 and fan control amp. harness terminal No. 3. <b>Continuity should exist.</b>		
If OK, check harness for short. <span style="float: right;">RHA057H</span>		
<b>OK or NG</b>		
OK	▶	GO TO 9.
NG	▶	Repair harness or connector.

# TROUBLE DIAGNOSES

**AUTO**

*Blower Motor (Cont'd)*

<b>9</b>	<b>CHECK CIRCUIT CONTINUITY BETWEEN AUTO AMP. AND BLOWER MOTOR</b>	
<p>Check circuit continuity between auto amp. harness terminal No. 33 and blower motor harness terminal No. 1.  <b>Continuity should exist.</b></p> <div style="text-align: center;"> <p>Auto amp. connector (M55)      Blower motor connector (M78)</p> </div> <p style="text-align: right;">RHA058H</p>		
If OK, check harness for short.		
<b>OK or NG</b>		
OK	▶	Replace auto amp.
NG	▶	Repair harness or connector.

<b>10</b>	<b>CHECK POWER SUPPLY FOR BLOWER MOTOR</b>	
<p>Disconnect blower motor connector connector.          Do approx. 12 volts exist between blower motor harness terminal No. 1 and body ground?</p> <div style="text-align: center;"> <p>Blower motor connector (M78)</p> </div> <p style="text-align: right;">RHA091GB</p>		
<b>Yes or No</b>		
Yes	▶	GO TO 11.
No	▶	<ol style="list-style-type: none"> <li>1. Check power supply circuit and 15A fuses (Nos. 1 and 2, located in the fuse block). Refer to EL-14, "Wiring Diagram — POWER —".</li> <li>2. If OK, check for open circuit in wiring harness. Repair or replace as necessary.</li> <li>3. If NG, Replace fuse and check wiring harness for short circuit. Repair or replace as necessary.</li> </ol>

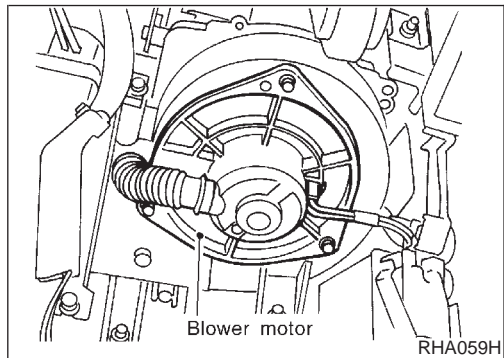
GI  
 MA  
 EM  
 LC  
 EC  
 FE  
 CL  
 MT  
 AT  
 AX  
 SU  
 BR  
 ST  
 RS  
 BT  
 HA  
 SC  
 EL  
 IDX

Blower Motor (Cont'd)

<b>11</b>	<b>CHECK CIRCUIT CONTINUITY BETWEEN BLOWER MOTOR AND FAN CONTROL AMP.</b>
<p>Check circuit continuity between blower motor harness terminal No. 2 and fan control amp. harness terminal No. 3.  <b>Continuity should exist.</b></p>	
<p>If OK, check harness for short.</p> <p style="text-align: center;"><b>OK or NG</b></p>	
OK	▶ GO TO 12.
NG	▶ Repair harness or connector.

RHA472GA

<b>12</b>	<b>CHECK BLOWER MOTOR</b>
<p>Refer to "COMPONENT INSPECTION" (HA-72).</p>	
NG	▶ Replace blower motor.



### COMPONENT INSPECTION

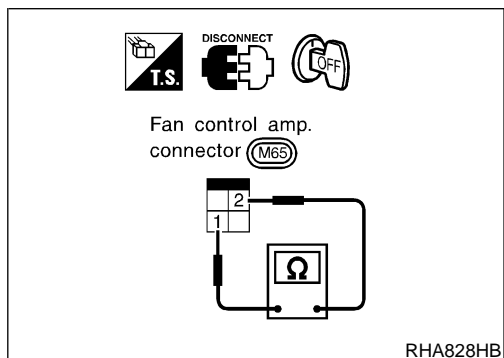
#### Blower Motor

NCHA0065

NCHA0065S01

Confirm smooth rotation of the blower motor.

- Ensure that there are no foreign particles inside the intake unit.



RHA828HB

#### Fan Control Amp.

NCHA0065S02

Check continuity between terminals.

Terminal Nos.	Continuity
1 - 2	Yes

## Magnet Clutch

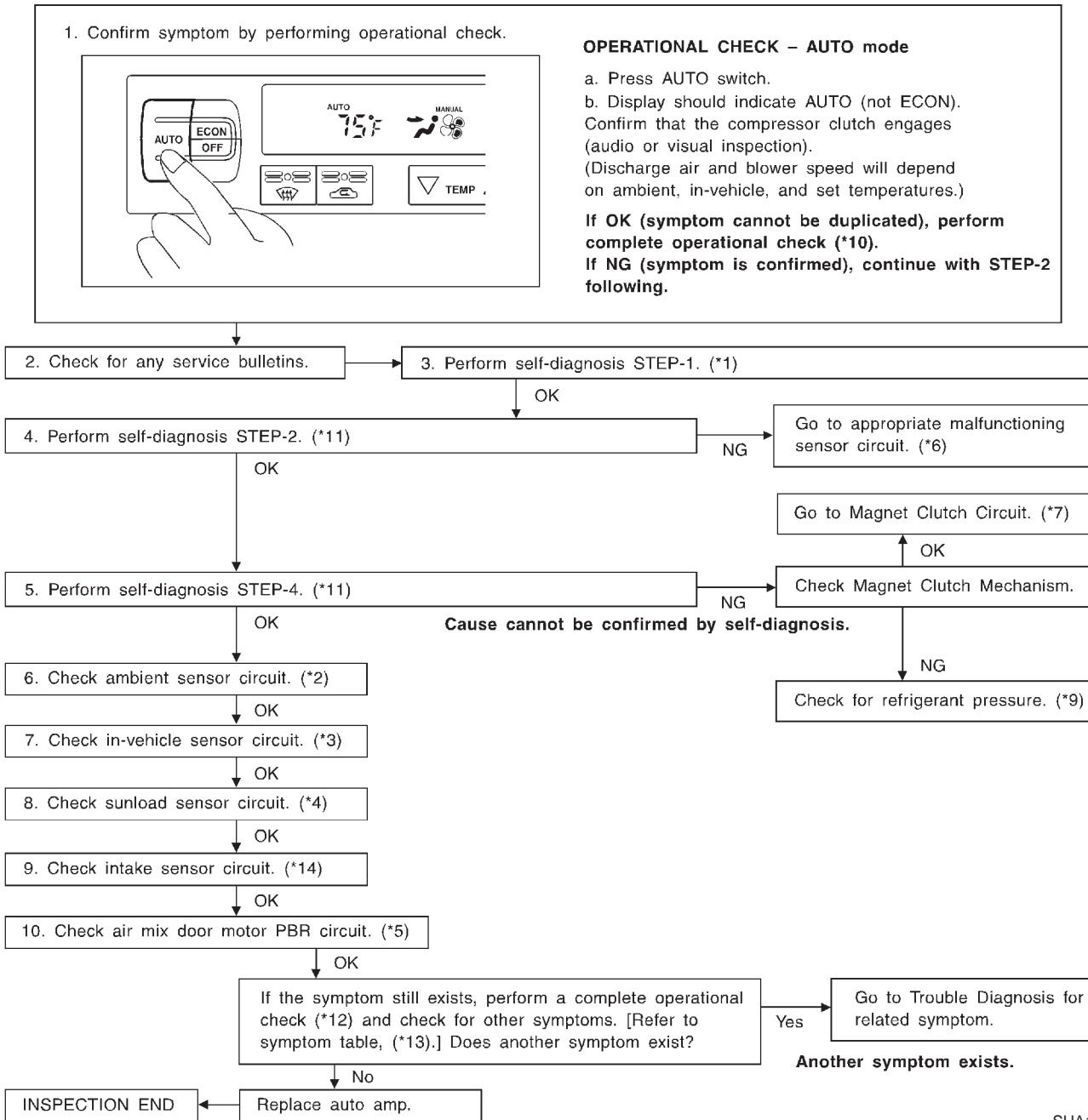
### TROUBLE DIAGNOSIS PROCEDURE FOR MAGNET CLUTCH

=NCHA0095

**SYMPTOM:**

- Magnet clutch does not engage.

**INSPECTION FLOW**



\*1: STEP-BY-STEP PROCEDURE (HA-32)  
 \*2: HA-92  
 \*3: HA-95  
 \*4: HA-99  
 \*5: HA-104

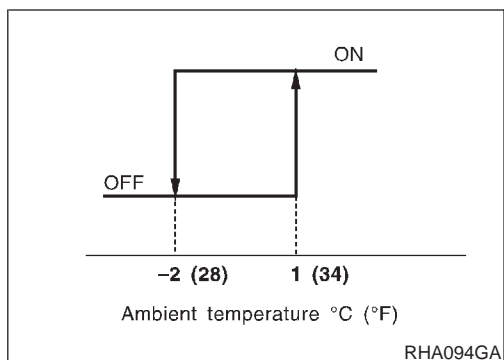
\*6: STEP-BY-STEP PROCEDURE (HA-32), see No. 12.  
 \*7: HA-74  
 \*9: HA-83  
 \*10: HA-42

\*11: STEP-BY-STEP PROCEDURE (HA-32), see No. 5, 8.  
 \*12: HA-42  
 \*13: HA-41  
 \*14: HA-102

SHA177F

GI  
 MA  
 EM  
 LC  
 EC  
 FE  
 CL  
 MT  
 AT  
 AX  
 SU  
 BR  
 ST  
 RS  
 BT  
**HA**  
 SC  
 EL  
 IDX

## Magnet Clutch (Cont'd)



### SYSTEM DESCRIPTION

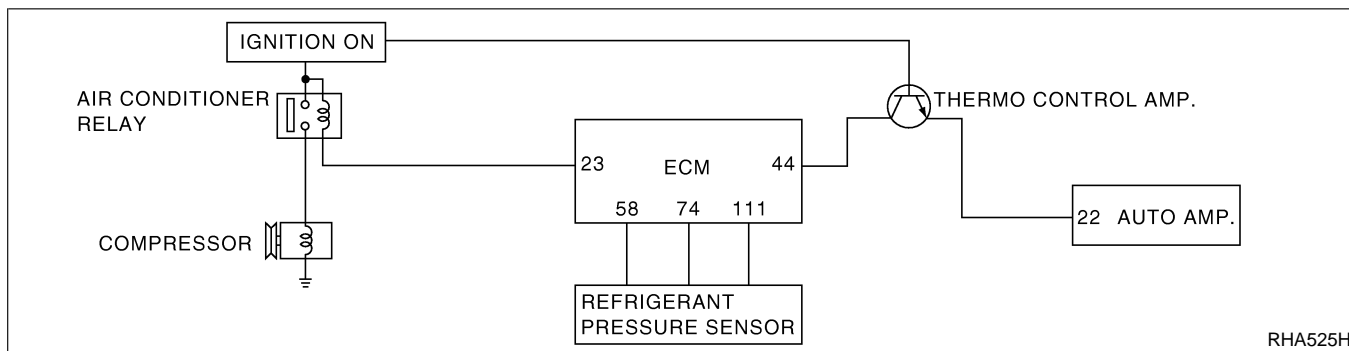
Auto amplifier controls compressor operation by ambient temperature and signal from ECM. =NCHA0066

### Low Temperature Protection Control

Auto amplifier will turn the compressor "ON" or "OFF" as determined by a signal detected by ambient sensor. NCHA0066S01  
 When ambient temperatures are greater than 1°C (34°F), the compressor turns "ON". The compressor turns "OFF" when ambient temperatures are less than -2°C (28°F).

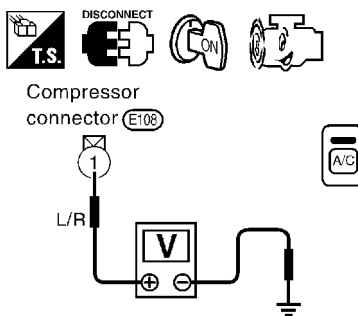
### DIAGNOSTIC PROCEDURE

**SYMPTOM:** Magnet clutch does not engage when AUTO switch is ON. NCHA0067



#### 1 CHECK POWER SUPPLY FOR COMPRESSOR

Disconnect compressor harness connector. Do approx. 12 volts exist between compressor harness terminal No. 1 and body ground?



RHA096GB

Yes or No

Yes	▶	<b>Check magnet clutch coil.</b> 1. If NG, replace magnet clutch. Refer to HA-111. 2. Go to self-diagnosis step-by-step procedure (HA-32) and perform self-diagnosis STEP-4. Confirm that magnet clutch operation is normal.
No	▶	Disconnect A/C relay. And GO TO 2.



2	<b>CHECK CIRCUIT CONTINUITY BETWEEN A/C RELAY AND COMPRESSOR HARNESS</b>	
	<p>Check circuit continuity between A/C relay harness terminal No. 3 and compressor harness terminal No. 1.  <b>Continuity should exist.</b></p> <div style="text-align: center;"> </div> <p style="text-align: right;">RHA061H</p>	<p>GI</p> <p>MA</p> <p>EM</p> <p>LC</p> <p>EC</p> <p>FE</p> <p>CL</p>
	<p>If OK, check harness for short.</p> <p style="text-align: center;"><b>OK or NG</b></p>	
OK	▶	GO TO 3.
NG	▶	Repair harness or connector.

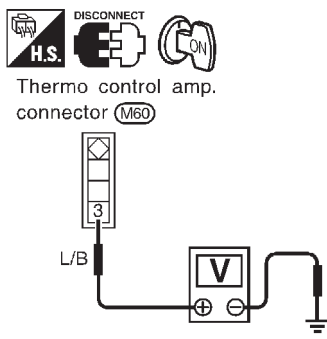
3	<b>CHECK POWER SUPPLY FOR A/C RELAY</b>	
	<p>Disconnect A/C relay.                      Do approx. 12 volts exist between A/C relay harness terminal Nos. 1, 5 and body ground?</p> <div style="text-align: center;"> </div> <p style="text-align: right;">RHA062H</p>	<p>MT</p> <p>AT</p> <p>AX</p> <p>SU</p> <p>BR</p> <p>ST</p>
	<p style="text-align: center;"><b>Yes or No</b></p>	
Yes	▶	GO TO 4.
No	▶	<p>Check power supply circuit and 10A (No. 6) fuse at fuse block. Refer to EL-14, "Wiring Diagram — POWER —".</p> <ul style="list-style-type: none"> <li>● If OK, check for open circuit in wiring harness. Repair or replace as necessary.</li> <li>● If NG, replace fuse and check wiring harness for short circuit. Repair or replace as necessary.</li> </ul>

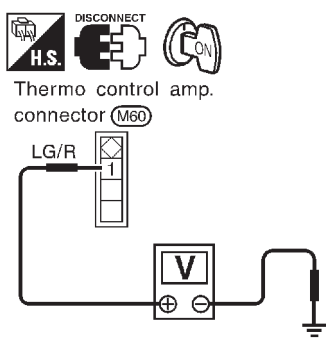
4	<b>CHECK A/C RELAY AFTER DISCONNECTING IT</b>	
	<p>Refer to HA-79.</p> <p style="text-align: center;"><b>OK or NG</b></p>	<p>SC</p> <p>EL</p> <p>IDX</p>
OK	▶	Reconnect A/C relay. And GO TO 5.
NG	▶	<p>1. Replace A/C relay.</p> <p>2. Go to self-diagnosis step-by-step procedure (HA-32) and perform self-diagnosis STEP-4.                      Confirm that magnet clutch operation is normal.</p>

<b>5</b>	<b>CHECK COIL SIDE CIRCUIT OF A/C RELAY</b>	
Do approx. 12 volts exist between ECM harness terminal No. 23 and body ground?		
RHA534H		
<b>Yes or No</b>		
Yes	▶	GO TO 6.
No	▶	Disconnect A/C relay. Disconnect ECM harness connector. GO TO 12.

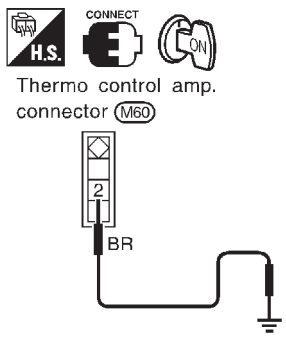
<b>6</b>	<b>CHECK VOLTAGE FOR ECM</b>	
Do approx. 12 volts exist between ECM harness terminal No. 44 and body ground?		
RHA536HD		
<b>Yes or No</b>		
Yes	▶	Disconnect ECM harness connector. Disconnect refrigerant pressure sensor harness connector. GO TO 7.
No	▶	Check ECM. Refer to EC-134, "ECM Terminals and Reference Value".

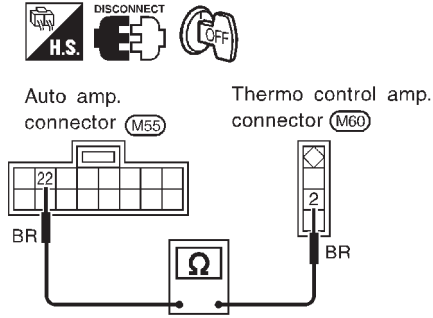
<b>7</b>	<b>CHECK REFRIGERANT PRESSURE SENSOR</b>	
Refer to HA-79.		
OK	▶	GO TO 8.
NG	▶	Replace refrigerant pressure sensor.

<b>8</b>	<b>CHECK VOLTAGE FOR THERMO CONTROL AMP.</b>	
Do approx. 12 volts exist between thermo control amp. harness terminal No. 3 and body ground?		
 <p style="text-align: center;">Yes or No</p>		
RHA065H		
Yes	▶	GO TO 9.
No	▶	Repair harness or connector.

<b>9</b>	<b>CHECK POWER SUPPLY FOR THERMO CONTROL AMP.</b>	
Do approx. 12 volts exist between thermo control amp. harness terminal No. 1 and body ground?		
 <p style="text-align: center;">Yes or No</p>		
RHA341FA		
Yes	▶	GO TO 10.
No	▶	Check power supply circuit and 10A (No. 6) fuse at fuse block. Refer to EL-14, "Wiring Diagram — POWER —". <ul style="list-style-type: none"> <li>● If OK, check for open circuit in wiring harness. Repair or replace as necessary.</li> <li>● If NG, replace fuse and check wiring harness for short circuit. Repair or replace as necessary.</li> </ul>

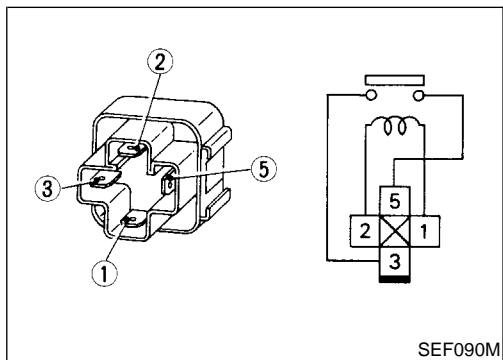
GI  
 MA  
 EM  
 LC  
 EC  
 FE  
 CL  
 MT  
 AT  
 AX  
 SU  
 BR  
 ST  
 RS  
 BT  
 HA  
 SC  
 EL  
 IDX

<b>10</b>	<b>CHECK THERMO CONTROL AMP. OPERATION</b>	
Reconnect thermo control amp. harness connector. Does magnet clutch engage when short circuit between thermo control amp. harness terminal No. 2 and body ground?		
		
RHA066H		
<b>Yes or No</b>		
Yes	▶	GO TO 11.
No	▶	Replace thermo control amp.

<b>11</b>	<b>CHECK CIRCUIT CONTINUITY BETWEEN THERMO CONTROL AMP. AND AUTO AMP.</b>	
Check circuit continuity between thermo control amp. harness terminal No. 2 and auto amp. harness terminal No. 22. <b>Continuity should exist.</b>		
		
RHA067H		
If OK, check harness for short.		
<b>OK or NG</b>		
OK	▶	Replace auto amp.
NG	▶	Repair harness or connector.

<b>12</b>	<b>CHECK CIRCUIT CONTINUITY BETWEEN A/C RELAY AND ECM</b>
<p>Check circuit continuity between A/C relay harness terminal No. 2 and ECM harness terminal No. 23.  <span style="color: blue;">Continuity should exist.</span></p>	
<p>If OK, check harness for short.</p> <p style="text-align: center;"><b>OK or NG</b></p>	
OK	▶ Check ECM. Refer to EC-134, "ECM Terminals and Reference Value".
NG	▶ Repair harness or connector.

GI  
MA  
EM  
LC  
EC  
FE  
CL



## ELECTRICAL COMPONENT INSPECTION

### A/C Relay

Check continuity between terminal Nos. 3 and 5.

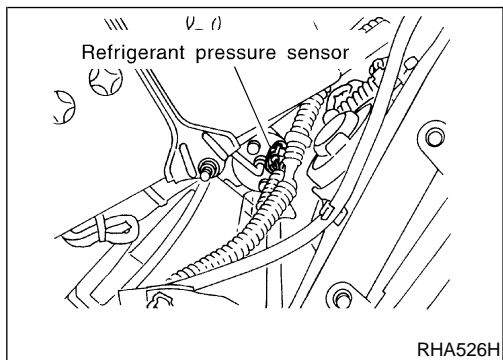
NCHA0068

NCHA0068S01

Conditions	Continuity
12V direct current supply between terminal Nos. 1 and 2	Yes
No current supply	No

MT  
AT  
AX  
SU  
BR

If NG, replace relay.

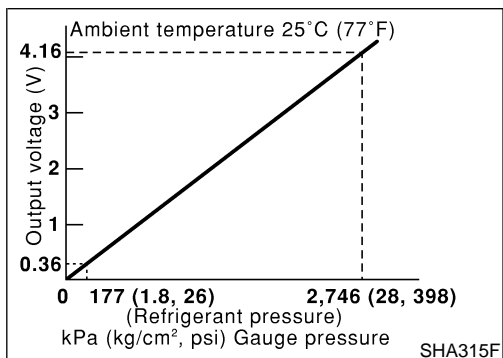


### Refrigerant Pressure Sensor

Make sure that higher A/C refrigerant pressure results in higher refrigerant-pressure sensor output voltage.  
 Refer to EC-621, "Diagnostic Procedure".

NCHA0068S03

ST  
RS  
BT



HA  
SC  
EL  
IDX

## Insufficient Cooling

### TROUBLE DIAGNOSIS PROCEDURE FOR INSUFFICIENT COOLING

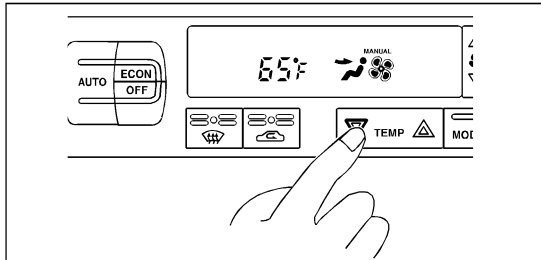
=NCHA0096

**SYMPTOM:**

- Insufficient cooling

**INSPECTION FLOW**

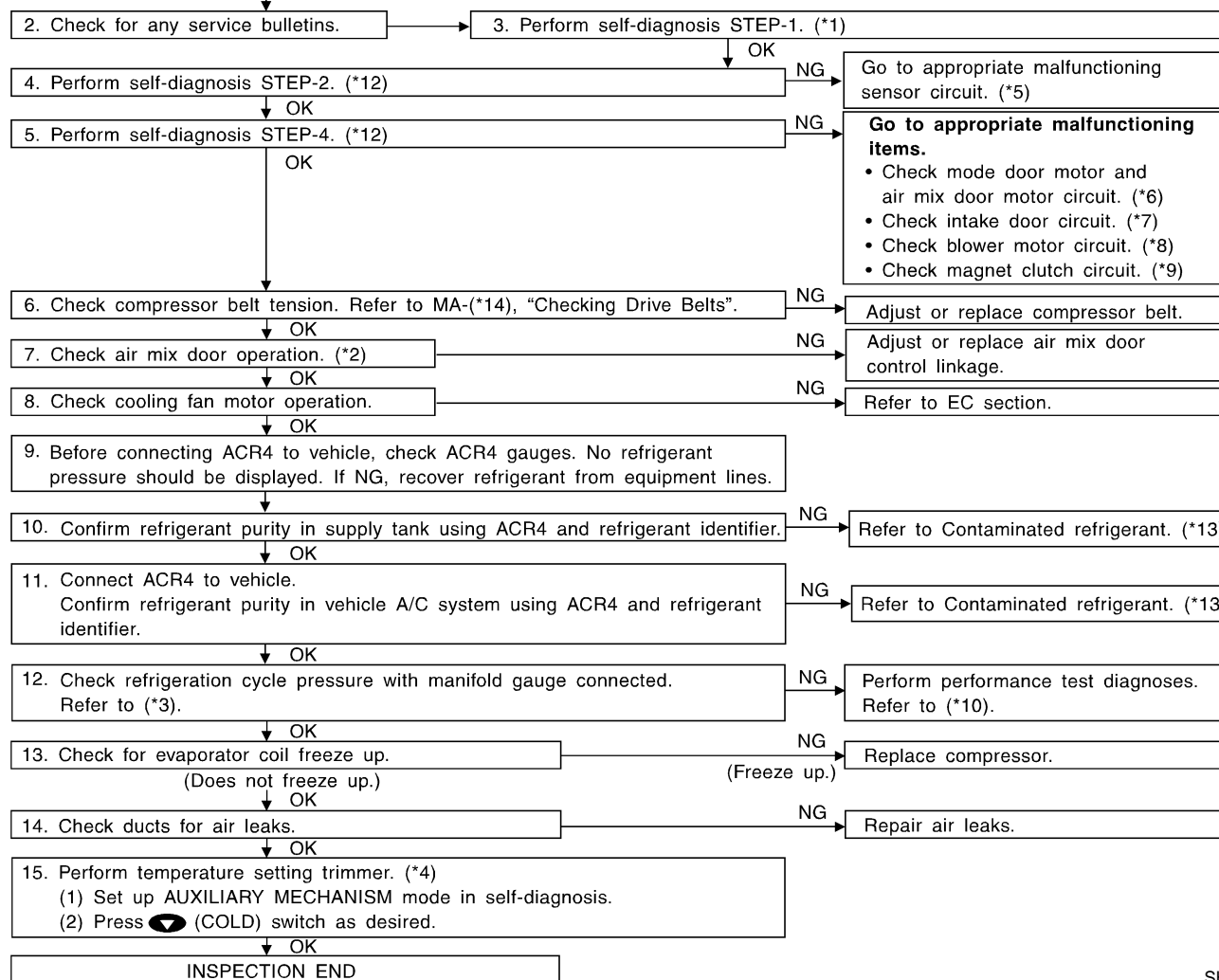
1. Confirm symptom by performing the following operational check.



**OPERATIONAL CHECK – Temperature decrease**

- a. Press the temperature decrease button until 18°C (65°F) is displayed.
- b. Check for cold air at discharge air outlets.

**If OK (symptom cannot be duplicated), perform complete operational check (\*11).  
If NG (symptom is confirmed), continue with STEP-2 following.**



SHA357F

\*1: HA-32

\*2: HA-56

\*3: HA-83

\*4: HA-40

\*5: STEP-BY-STEP PROCEDURE (HA-32), see No. 12.

\*6: HA-50

\*7: HA-60

\*8: HA-67

\*9: HA-74

\*10: HA-81

\*11: HA-42

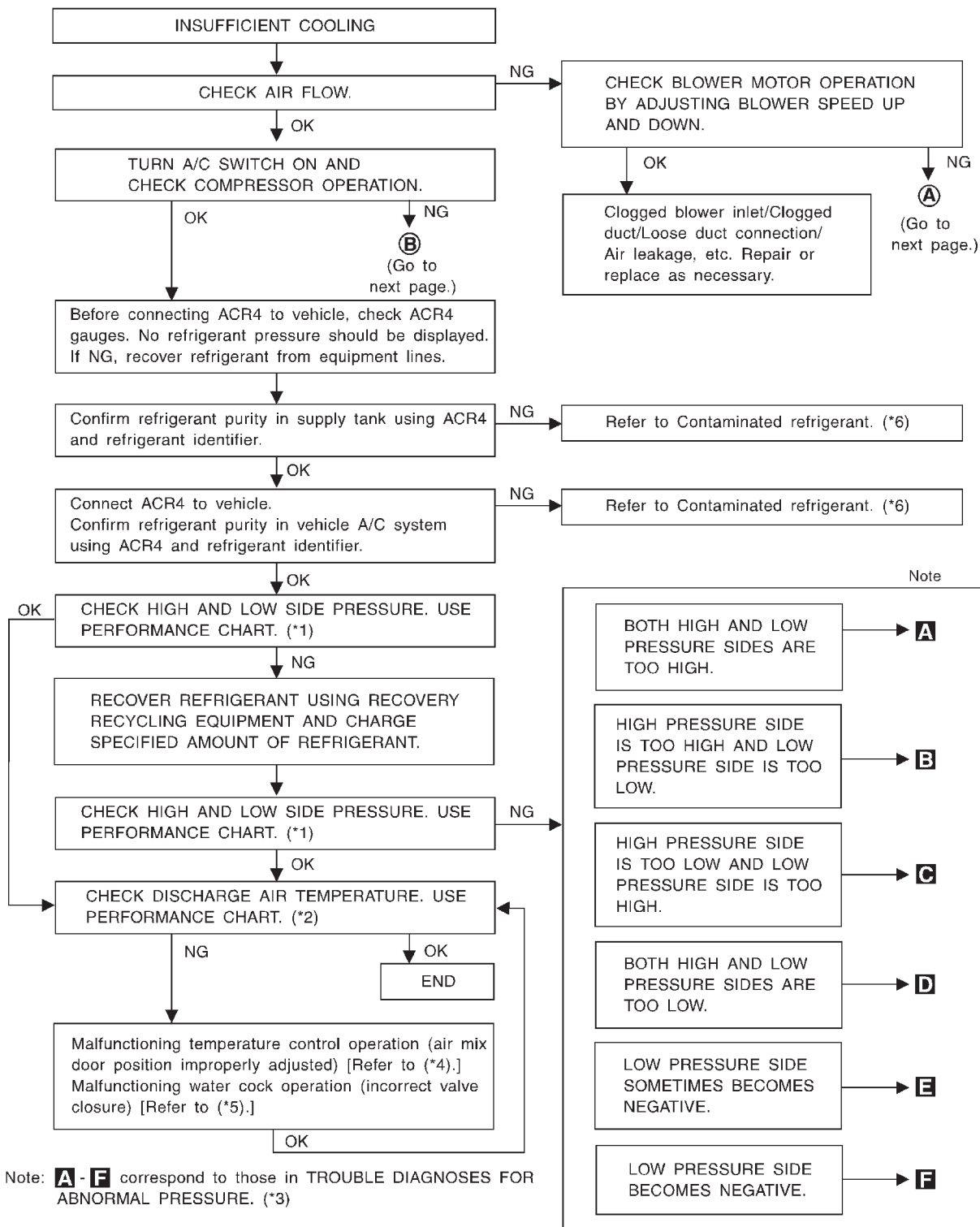
\*12: HA-32

\*13: HA-3

\*14: MA-13

## PERFORMANCE TEST DIAGNOSES

NCHA0030



Note: **A - F** correspond to those in TROUBLE DIAGNOSES FOR ABNORMAL PRESSURE. (\*3)

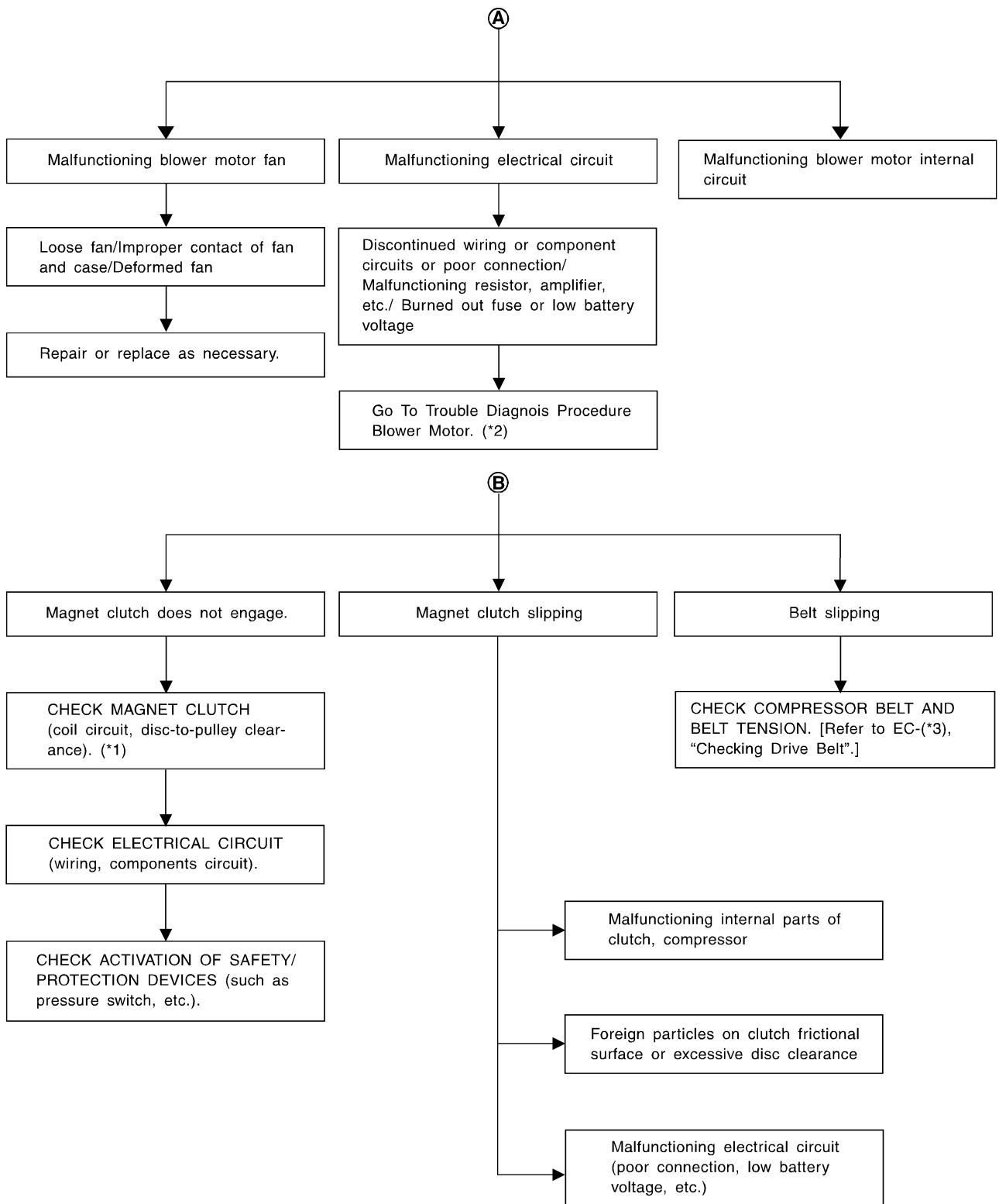
\*1: HA-83  
\*2: HA-83

\*3: HA-83  
\*4: HA-56

\*5: HA-56  
\*6: HA-3

SHA194F

GI  
MA  
EM  
LC  
EC  
FE  
CL  
MT  
AT  
AX  
SU  
BR  
ST  
RS  
BT  
HA  
SC  
EL  
IDX



SHA361F

\*1: HA-112

\*2: HA-65

\*3: MA-13



# TROUBLE DIAGNOSES

**AUTO**

Insufficient Cooling (Cont'd)




## PERFORMANCE CHART

### Test Condition

Testing must be performed as follows:

NCHA0031

NCHA0031S01

Vehicle location	Indoors or in the shade (in a well-ventilated place)
Doors	Closed
Door window	Open
Hood	Open
TEMP.	Max. COLD
Mode switch	 (Ventilation) set
REC switch	 (Recirculation) set
 (blower) speed	Max. speed set
Engine speed	Idle speed

Operate the air conditioning system for 10 minutes before taking measurements.

### Test Reading

#### Recirculating-to-discharge Air Temperature Table

NCHA0031S02

NCHA0031S0201

Inside air (Recirculating air) at blower assembly inlet		Discharge air temperature at center ventilator °C (°F)
Relative humidity %	Air temperature °C (°F)	
50 - 60	25 (77)	10.9 - 12.9 (52 - 55)
	30 (86)	15.2 - 17.7 (59 - 64)
	35 (95)	19.4 - 22.5 (67 - 73)
60 - 70	25 (77)	12.9 - 15.0 (55 - 59)
	30 (86)	17.7 - 20.5 (64 - 69)
	35 (95)	22.5 - 25.2 (73 - 77)

#### Ambient Air Temperature-to-operating Pressure Table

NCHA0031S0202

Ambient air		High-pressure (Discharge side) kPa (kg/cm <sup>2</sup> , psi)	Low-pressure (Suction side) kPa (kg/cm <sup>2</sup> , psi)
Relative humidity %	Air temperature °C (°F)		
50 - 70	30 (86)	1,177 - 1,422 (12.0 - 14.5, 171 - 206)	216 - 255 (2.2 - 2.6, 31 - 37)
	35 (95)	1,344 - 1,648 (13.7 - 16.8, 195 - 239)	255 - 314 (2.6 - 3.2, 37 - 46)
	40 (104)	1,471 - 1,785 (15.0 - 18.2, 213 - 259)	304 - 382 (3.1 - 3.9, 44 - 55)

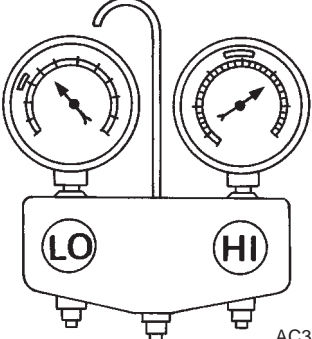
### TROUBLE DIAGNOSES FOR ABNORMAL PRESSURE

NCHA0032

Whenever system's high and/or low side pressure is abnormal, diagnose using a manifold gauge. The marker above the gauge scale in the following tables indicates the standard (normal) pressure range. Since the standard (normal) pressure, however, differs from vehicle to vehicle, refer to HA-83 ("Ambient air temperature-to-operating pressure table").

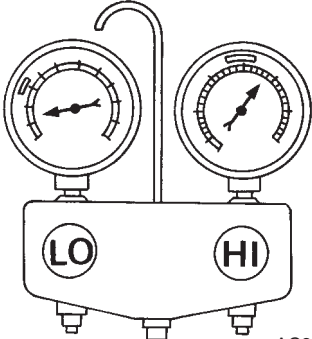
## Both High and Low-pressure Sides are Too High.

NCHA0032S01

Gauge indication	Refrigerant cycle	Probable cause	Corrective action
<p>Both high and low-pressure sides are too high.</p> <p><b>A</b></p>  <p style="text-align: right; font-size: small;">AC359A</p>	<ul style="list-style-type: none"> <li>● Pressure is reduced soon after water is splashed on condenser.</li> </ul>	<p>Excessive refrigerant charge in refrigeration cycle</p>	<p>Reduce refrigerant until specified pressure is obtained.</p>
	<p>Air suction by cooling fan is insufficient.</p>	<p>Insufficient condenser cooling performance</p> <p style="text-align: center;">↓</p> <ol style="list-style-type: none"> <li>1. Condenser fins are clogged.</li> <li>2. Improper fan rotation of cooling fan</li> </ol>	<ul style="list-style-type: none"> <li>● Clean condenser.</li> <li>● Check and repair cooling fan as necessary.</li> </ul>
	<ul style="list-style-type: none"> <li>● Low-pressure pipe is not cold.</li> <li>● When compressor is stopped high-pressure value quickly drops by approximately 196 kPa (2 kg/cm<sup>2</sup>, 28 psi). It then decreases gradually thereafter.</li> </ul>	<p>Poor heat exchange in condenser (After compressor operation stops, high pressure decreases too slowly.)</p> <p style="text-align: center;">↓</p> <p>Air in refrigeration cycle</p>	<p>Evacuate repeatedly and recharge system.</p>
	<p>Engine tends to overheat.</p>	<p>Engine cooling systems malfunction.</p>	<p>Check and repair each engine cooling system.</p>
	<ul style="list-style-type: none"> <li>● An area of the low-pressure pipe is colder than areas near the evaporator outlet.</li> <li>● Plates are sometimes covered with frost.</li> </ul>	<ul style="list-style-type: none"> <li>● Excessive liquid refrigerant on low-pressure side</li> <li>● Excessive refrigerant discharge flow</li> <li>● Expansion valve is open a little compared with the specification.</li> </ul> <p style="text-align: center;">↓</p> <ol style="list-style-type: none"> <li>1. Improper thermal valve installation</li> <li>2. Improper expansion valve adjustment</li> </ol>	<p>Replace expansion valve.</p>

## High-pressure Side is Too High and Low-pressure Side is Too Low.

NCHA0032S02

Gauge indication	Refrigerant cycle	Probable cause	Corrective action
<p>High-pressure side is too high and low-pressure side is too low.</p> <p><b>B</b></p>  <p style="text-align: right; font-size: small;">AC360A</p>	<p>Upper side of condenser and high-pressure side are hot, however, liquid tank is not so hot.</p>	<p>High-pressure tube or parts located between compressor and condenser are clogged or crushed.</p>	<ul style="list-style-type: none"> <li>● Check and repair or replace malfunctioning parts.</li> <li>● Check lubricant for contamination.</li> </ul>

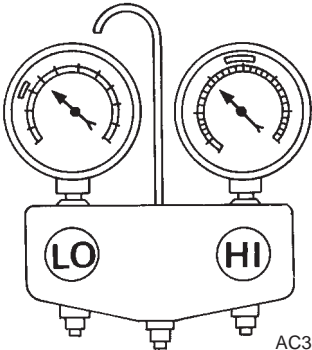
# TROUBLE DIAGNOSES

**AUTO**

*Insufficient Cooling (Cont'd)*

## High-pressure Side is Too Low and Low-pressure Side is Too High.

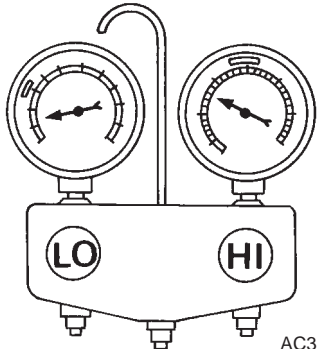
NCHA0032S03

Gauge indication	Refrigerant cycle	Probable cause	Corrective action
<p>High-pressure side is too low and low-pressure side is too high.</p> <p><b>C</b></p>  <p>AC356A</p>	<p>High and low-pressure sides become equal soon after compressor operation stops.</p>	<p>Compressor pressure operation is improper.</p> <p>↓</p> <p>Damaged inside compressor packings</p>	<p>Replace compressor.</p>
	<p>No temperature difference between high and low-pressure sides</p>	<p>Compressor pressure operation is improper.</p> <p>↓</p> <p>Damaged inside compressor packings.</p>	<p>Replace compressor.</p>

- GI
- MA
- EM
- LC
- EC
- FE
- CL
- MT
- AT
- AX
- SU
- BR
- ST
- RS
- BT
- HA**
- SC
- EL
- IDX

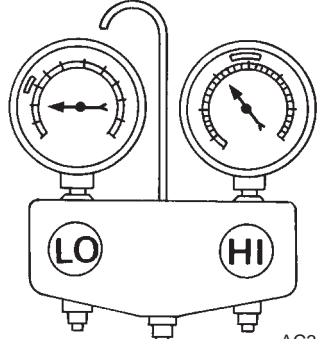
## Both High- and Low-pressure Sides are Too Low.

NCHA0032S04

Gauge indication	Refrigerant cycle	Probable cause	Corrective action
<p>Both high- and low-pressure sides are too low.</p> <p><b>D</b></p>  <p style="text-align: right; font-size: small;">AC353A</p>	<ul style="list-style-type: none"> <li>There is a big temperature difference between receiver drier outlet and inlet. Outlet temperature is extremely low.</li> <li>Liquid tank inlet and expansion valve are frosted.</li> </ul>	Liquid tank inside is slightly clogged.	<ul style="list-style-type: none"> <li>Replace liquid tank.</li> <li>Check lubricant for contamination.</li> </ul>
	<ul style="list-style-type: none"> <li>Temperature of expansion valve inlet is extremely low as compared with areas near liquid tank.</li> <li>Expansion valve inlet may be frosted.</li> <li>Temperature difference occurs somewhere in high-pressure side</li> </ul>	High-pressure pipe located between receiver drier and expansion valve is clogged.	<ul style="list-style-type: none"> <li>Check and repair malfunctioning parts.</li> <li>Check lubricant for contamination.</li> </ul>
	<ul style="list-style-type: none"> <li>Expansion valve and liquid tank are warm or only cool when touched.</li> </ul>	Low refrigerant charge ↓ Leaking fittings or components	Check refrigerant for leaks. Refer to "Checking for Refrigerant Leaks", HA-118.
	There is a big temperature difference between expansion valve inlet and outlet while the valve itself is frosted.	Expansion valve closes a little compared with the specification. ↓ 1. Improper expansion valve adjustment 2. Malfunctioning thermal valve 3. Outlet and inlet may be clogged.	<ul style="list-style-type: none"> <li>Remove foreign particles by using compressed air.</li> <li>Check lubricant for contamination.</li> </ul>
	An area of the low-pressure pipe is colder than areas near the evaporator outlet.	Low-pressure pipe is clogged or crushed.	<ul style="list-style-type: none"> <li>Check and repair malfunctioning parts.</li> <li>Check lubricant for contamination.</li> </ul>
	Air flow volume is not enough or is too low.	Evaporator is frozen.	<ul style="list-style-type: none"> <li>Check thermo control amp. operation.</li> <li>Replace compressor.</li> </ul>

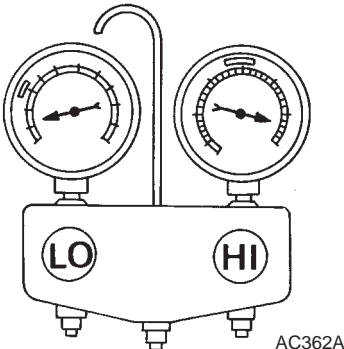
## Low-pressure Side Sometimes Becomes Negative.

NCHA0032S05

Gauge indication	Refrigerant cycle	Probable cause	Corrective action
<p>Low-pressure side sometimes becomes negative.</p> <p><b>E</b></p>  <p style="text-align: right; font-size: small;">AC354A</p>	<ul style="list-style-type: none"> <li>Air conditioning system does not function and does not cyclically cool the compartment air.</li> <li>The system constantly functions for a certain period of time after compressor is stopped and restarted.</li> </ul>	Refrigerant does not discharge cyclically. ↓ Moisture is frozen at expansion valve outlet and inlet. ↓ Water is mixed with refrigerant.	<ul style="list-style-type: none"> <li>Drain water from refrigerant or replace refrigerant.</li> <li>Replace liquid tank.</li> </ul>

## Low-pressure Side Becomes Negative.

NCHA0032S06

Gauge indication	Refrigerant cycle	Probable cause	Corrective action
<p>Low-pressure side becomes negative.</p> <p><b>F</b></p>  <p style="text-align: right;"><small>AC362A</small></p>	<p>Liquid tank or front/rear side of expansion valve's pipe is frosted or dewed.</p>	<p>High-pressure side is closed and refrigerant does not flow.</p> <p style="text-align: center;">↓</p> <p>Expansion valve or liquid tank is frosted.</p>	<p>Leave the system at rest until no frost is present. Start it again to check whether or not the problem is caused by water or foreign particles.</p> <ul style="list-style-type: none"> <li>● If water is the cause, initially cooling is okay. Then the water freezes causing a blockage. Drain water from refrigerant or replace refrigerant.</li> <li>● If due to foreign particles, remove expansion valve and remove the particles with dry and compressed air (not shop air).</li> <li>● If either of the above methods cannot correct the problem, replace expansion valve.</li> <li>● Replace liquid tank.</li> <li>● Check lubricant for contamination.</li> </ul>

GI

MA

EM

LC

EC

FE

CL

MT

AT

AX

SU

BR

ST

RS

BT

**HA**

SC

EL

IDX

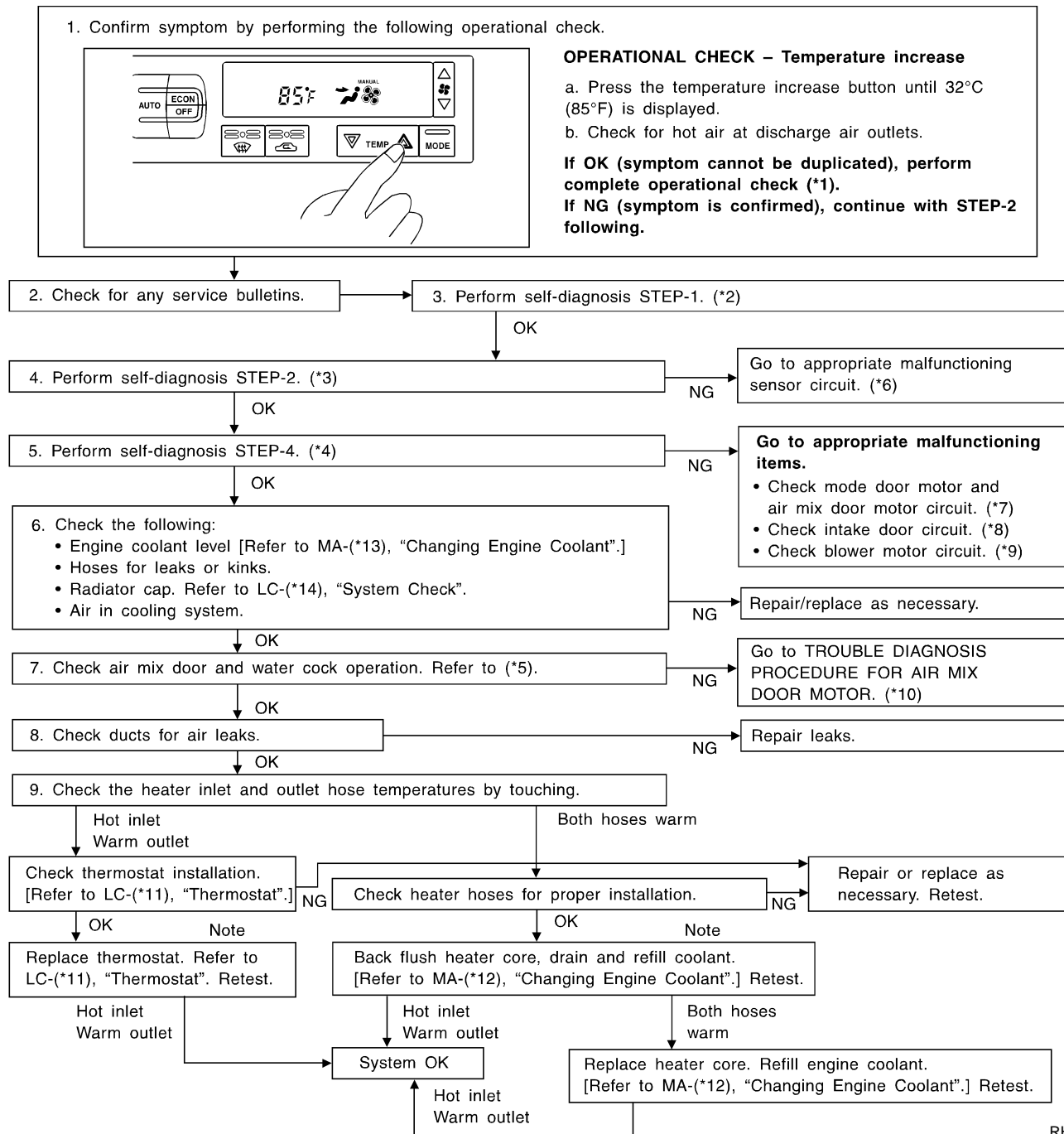
## Insufficient Heating

### TROUBLE DIAGNOSIS PROCEDURE FOR INSUFFICIENT HEATING

=NCHA0097

**SYMPTOM:**

- Insufficient heating

**INSPECTION FLOW**


RHA527H

- \*1: HA-42
- \*2: HA-32
- \*3: HA-32
- \*4: HA-32
- \*5: HA-56

- \*6: STEP-BY-STEP PROCEDURE (HA-32), see No. 12.
- \*7: HA-50
- \*8: HA-60
- \*9: HA-67

- \*10: HA-54
- \*11: LC-12
- \*12: MA-14
- \*13: MA-14
- \*14: LC-9

## Noise

### TROUBLE DIAGNOSIS PROCEDURE FOR NOISE

**SYMPTOM:**

- Noise

=NCHA0100

GI

MA

EM

LC

EC

FE

CL

MT

AT

AX

SU

BR

ST

RS

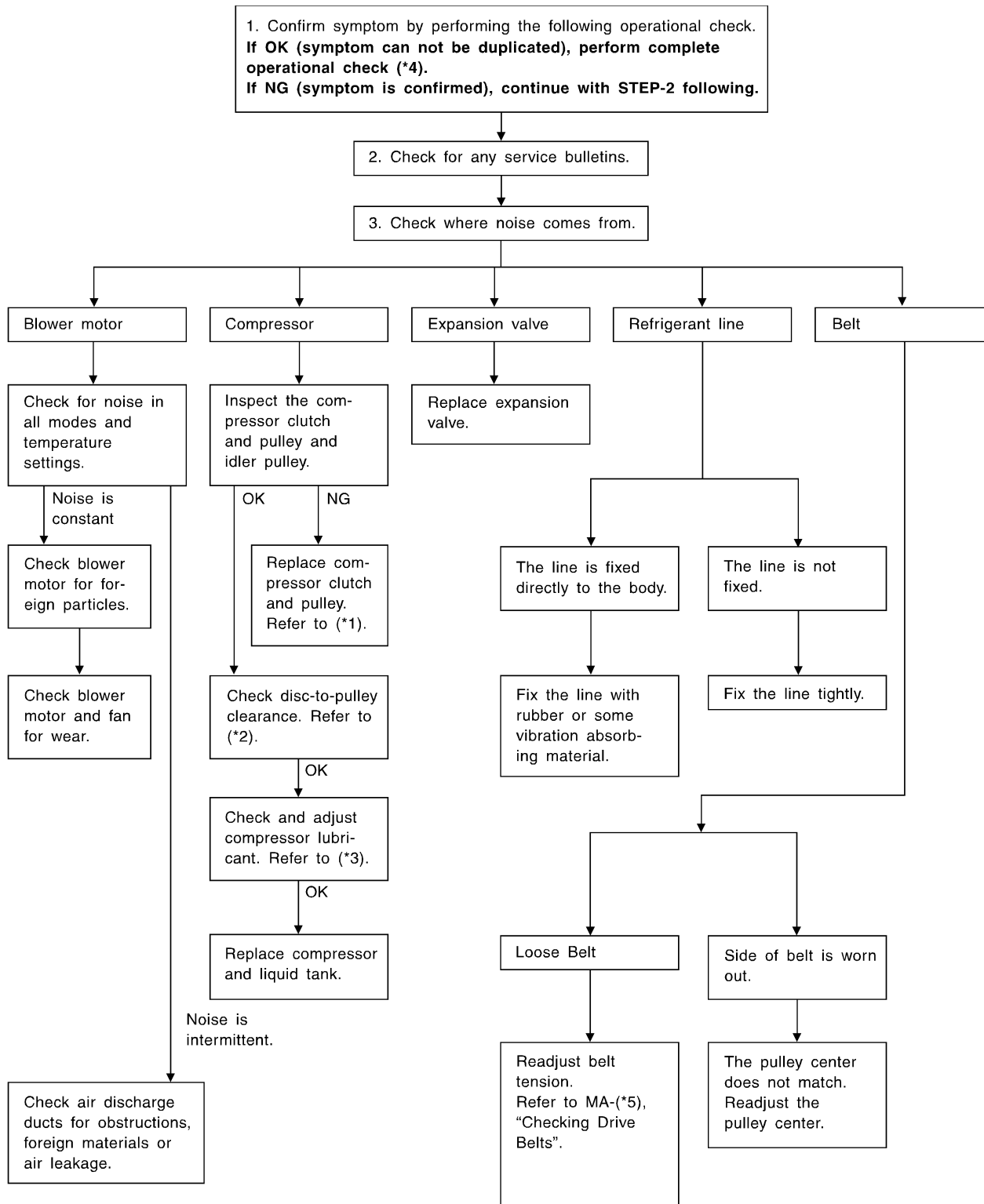
BT

**HA**

SC

EL

IDX



\*1: HA-111  
\*2: HA-112

\*3: HA-107  
\*4: HA-42

\*5: MA-13

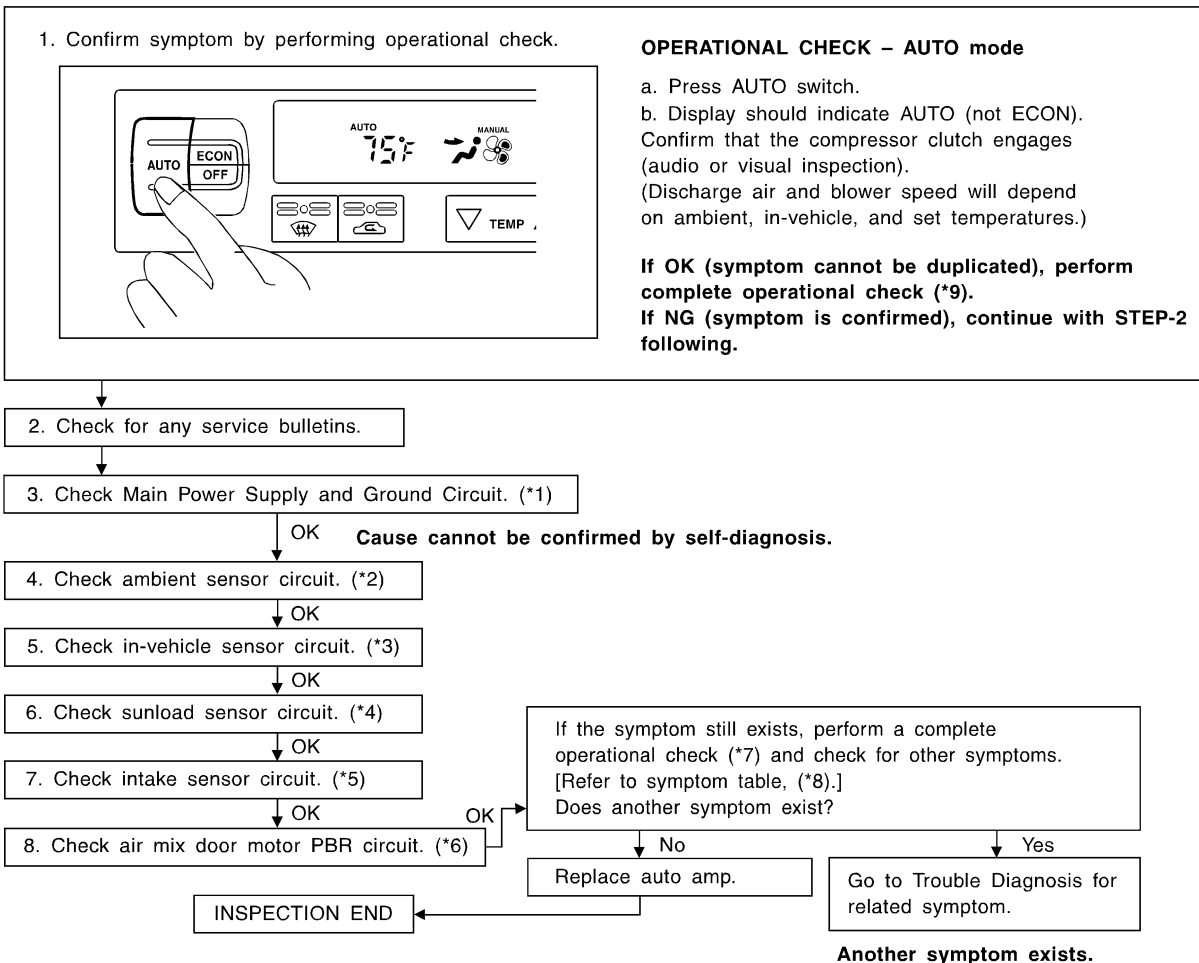
## Self-diagnosis

### TROUBLE DIAGNOSIS PROCEDURE FOR SELF-DIAGNOSIS

=NCHA0101

**SYMPTOM:**

- Self-diagnosis cannot be performed.

**INSPECTION FLOW**


\*1: HA-45

\*2: HA-92

\*3: HA-95

\*4: HA-99

\*5: HA-102

\*6: HA-104

\*7: HA-42

\*8: HA-41

\*9: HA-42

SHA365F



## Memory Function

### TROUBLE DIAGNOSIS PROCEDURE FOR MEMORY FUNCTION

=NCHA0102

**SYMPTOM:**

- Memory function does not operate.

**INSPECTION FLOW**

GI

MA

EM

LC

EC

FE

CL

MT

AT

AX

SU

BR

ST

RHA885H

RS

BT

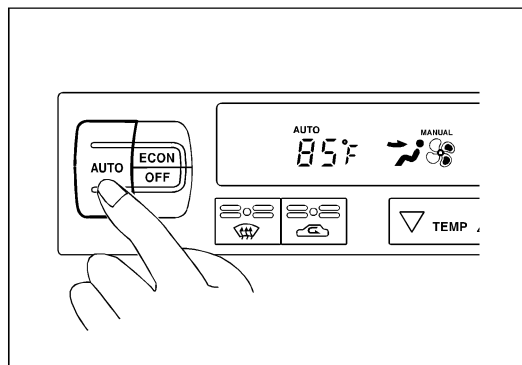
HA

SC

EL

IDX

1. Confirm symptom by performing the following operational check.


**OPERATIONAL CHECK – Memory function**

- a. Set the temperature 85°F or 32°C.
- b. Press OFF switch.
- c. Turn the ignition off.
- d. Turn the ignition on.
- e. Press the AUTO switch.
- f. Confirm that the set temperature remains at previous temperature.
- g. Press OFF switch.

**If OK (symptom cannot be duplicated), perform complete operational check (\*2).**

**If NG (symptom is confirmed), continue with STEP-2 following.**

2. Check for any service bulletins.

3. Check Main Power Supply and Ground Circuit. (\*1)

OK

4. Replace auto amp.

**5. FINAL CHECK**

Go to self-diagnosis step-by-step procedure (\*3) and perform self-diagnosis STEP-2.  
Confirm that code No. 20 is displayed.

\*1: HA-46

\*2: HA-42

\*3: HA-32

## ECON (ECONOMY) Mode

### TROUBLE DIAGNOSIS PROCEDURE FOR ECON (ECONOMY) MODE

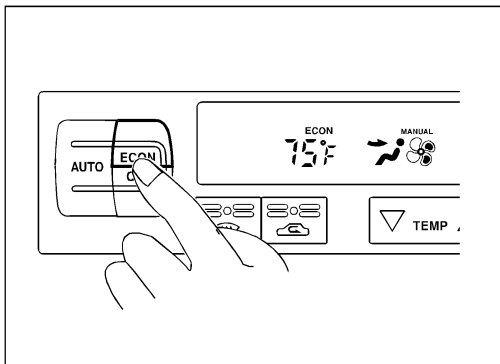
=NCHA0103

**SYMPTOM:**

- ECON mode does not operate.

**INSPECTION FLOW**

1. Confirm symptom by performing the following operational check.



**OPERATIONAL CHECK – ECON (ECONOMY) mode**

- a. Set the temperature 75°F or 25°C.
  - b. Press ECON switch.
  - c. Display should indicate ECON (not AUTO).
- Confirm that the compressor clutch is not engaged (visual inspection).  
(Discharge air and blower speed will depend on ambient, in-vehicle, and set temperatures.)

**If OK (symptom cannot be duplicated), perform complete operational check (\*2).**  
**If NG (symptom is confirmed), continue with STEP-2 following.**

2. Check for any service bulletins.

3. Check Main Power Supply and Ground Circuit. (\*1)

OK

4. Go to A/C system circuit. (\*4)

OK

5. Replace auto amp.

**6. FINAL CHECK**

Go to self-diagnosis step-by-step procedure (\*3) and perform self-diagnosis STEP-2.  
Confirm that code No. 20 is displayed.

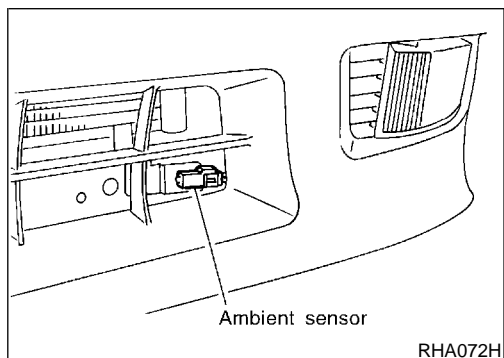
SHA350F

\*1: HA-45

\*3: HA-32

\*4: HA-46

\*2: HA-42



### Ambient Sensor Circuit COMPONENT DESCRIPTION

NCHA0039

The ambient sensor is attached in front of the driver's side condenser. It detects ambient temperature and converts it into a resistance value which is then input into the auto amplifier.

## AMBIENT TEMPERATURE INPUT PROCESS

NCHA0040

The automatic amplifier includes a "processing circuit" for the ambient sensor input. However, when the temperature detected by the ambient sensor increases quickly, the processing circuit retards the auto amp. function. It only allows the auto amp. to recognize an ambient temperature increase of 0.33°C (0.6°F) per 100 seconds. As an example, consider stopping for a cup of coffee after high speed driving. Although the actual ambient temperature has not changed, the temperature detected by the ambient sensor will increase. This is because the heat from the engine compartment can radiate to the front grille area, location of the ambient sensor.

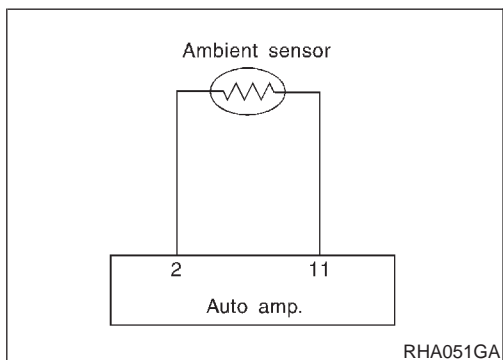
GI  
MA  
EM  
LC

## DIAGNOSTIC PROCEDURE

NCHA0041

**SYMPTOM:** Ambient sensor circuit is open or shorted. (  $\overline{C}1$  or  $\overline{C}2$  is indicated on auto amp. as a result of conducting Self-diagnosis STEP 2.)

EC  
FE  
CL  
MT

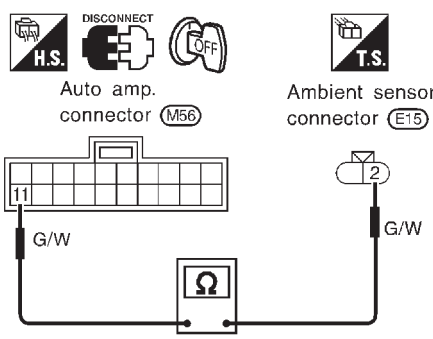


1	<b>CHECK VOLTAGE BETWEEN AMBIENT SENSOR HARNESS CONNECTOR AND BODY GROUND</b>
<p>Disconnect ambient sensor harness connector. Do approx. 5 volts exist between ambient sensor harness terminal No. 1 and body ground?</p> <div style="text-align: center;"> <p style="text-align: center;">Ambient sensor connector (E15)</p> <p style="text-align: center;">L/R</p> <p style="text-align: center;">V</p> <p style="text-align: right;"><small>RHA052GC</small></p> </div> <p style="text-align: center;"><b>Yes or No</b></p>	
Yes	▶ GO TO 2.
No	▶ GO TO 4.

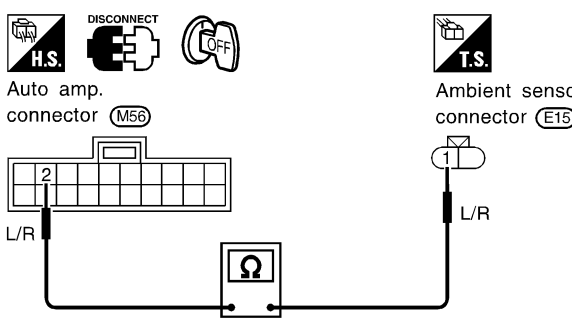
AT  
AX  
SU  
BR  
ST  
RS  
BT

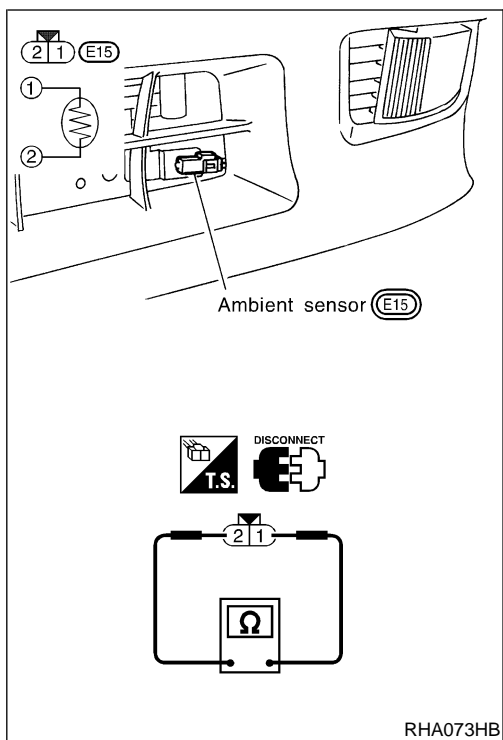
**HA**

SC  
EL  
IDX

<b>2</b>	<b>CHECK AMBIENT SENSOR CIRCUIT BETWEEN AMBIENT SENSOR AND AUTO AMP. (LCU)</b>	
1. Disconnect auto amp. (LCU) harness connector. 2. Check circuit continuity between ambient sensor harness terminal No. 2 and auto amp. (LCU) harness terminal No. 11. <b style="color: blue;">Continuity should exist.</b>		
		
RHA475GB		
<b>OK or NG</b>		
OK	▶	GO TO 3.
NG	▶	Repair harness or connector.

<b>3</b>	<b>CHECK AMBIENT SENSOR</b>	
Refer to HA-95.		
<b>OK or NG</b>		
OK	▶	1. Replace auto amp. (LCU). 2. Go to self-diagnosis step-by-step procedure (HA-32) and perform self-diagnosis STEP-2. Confirm that code No. 20 is displayed.
NG	▶	Replace ambient sensor.

<b>4</b>	<b>CHECK AMBIENT SENSOR CIRCUIT BETWEEN AMBIENT SENSOR AND AUTO AMP. (LCU)</b>	
1. Disconnect auto amp. (LCU) harness connector. 2. Check circuit continuity between ambient sensor harness terminal No. 1 and auto amp. (LCU) harness terminal No. 2. <b style="color: blue;">Continuity should exist.</b>		
		
RHA906HB		
<b>OK or NG</b>		
OK	▶	1. Replace auto amp. (LCU). 2. Go to self-diagnosis step-by-step procedure (HA-32) and perform self-diagnosis STEP-2. Confirm that code No. 20 is displayed.
NG	▶	Repair harness or connector.



## ELECTRICAL COMPONENT INSPECTION

NCHA0042

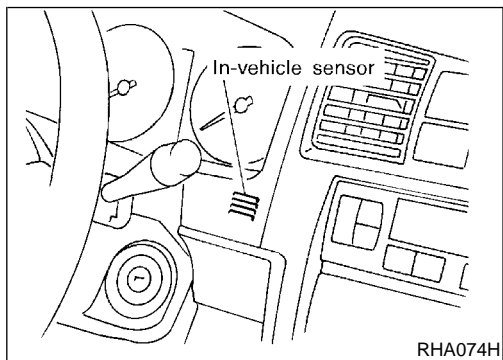
### Ambient Sensor

NCHA0042S01

After disconnecting ambient sensor harness connector, measure resistance between terminals 2 and 1 at sensor harness side, using the table below.

Temperature °C (°F)	Resistance kΩ
-15 (5)	12.73
-10 (14)	9.92
-5 (23)	7.80
0 (32)	6.19
5 (41)	4.95
10 (50)	3.99
15 (59)	3.24
20 (68)	2.65
25 (77)	2.19
30 (86)	1.81
35 (95)	1.51
40 (104)	1.27
45 (113)	1.07

If NG, replace ambient sensor.



## In-vehicle Sensor Circuit

### COMPONENT DESCRIPTION

NCHA0043

#### In-vehicle sensor

NCHA0043S01

The in-vehicle sensor is located on instrument lower panel. It converts variations in temperature of compartment air drawn from the aspirator into a resistance value. It is then input into the auto amplifier.

GI

MA

EM

LC

EC

FE

CL

MT

AT

AX

SU

BR

ST

RS

BT

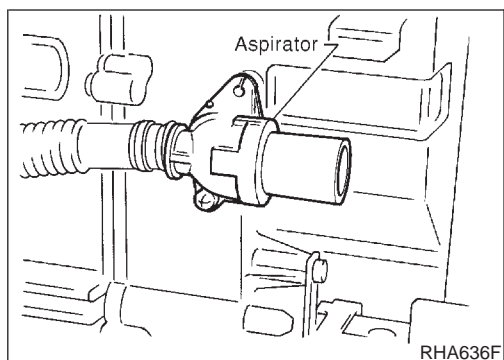
**HA**

SC

EL

IDX

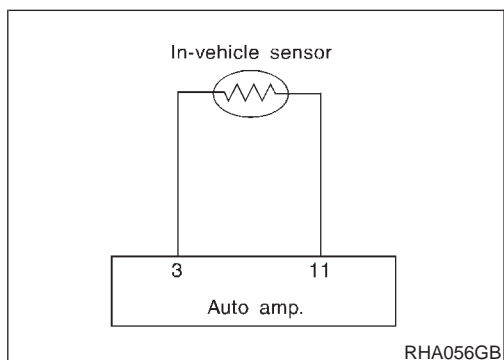
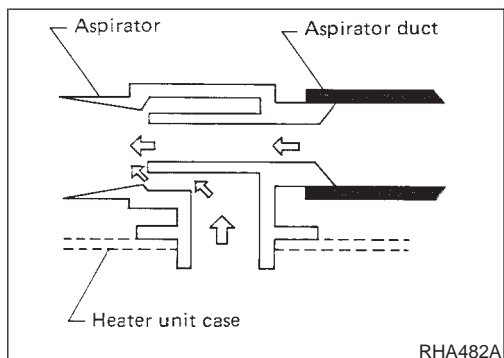
## In-vehicle Sensor Circuit (Cont'd)



### Aspirator

The aspirator is located in front of heater unit. It produces vacuum pressure due to air discharged from the heater unit, continuously taking compartment air in the aspirator.

NCHA0043S02

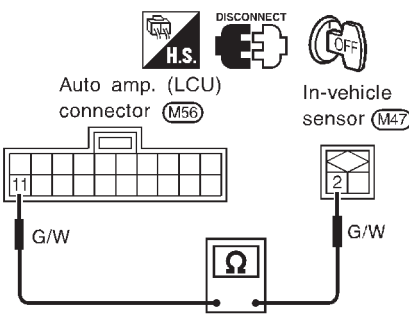


### DIAGNOSTIC PROCEDURE

**SYMPTOM:** In-vehicle sensor circuit is open or shorted. (∞ or -∞ is indicated on auto amp. as a result of conducting Self-diagnosis STEP 2.)

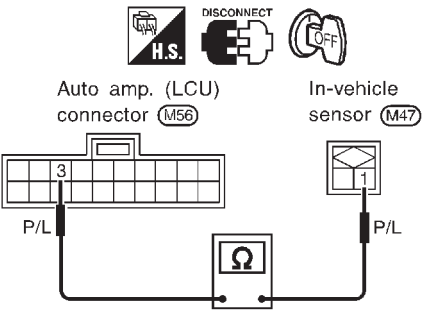
NCHA0044

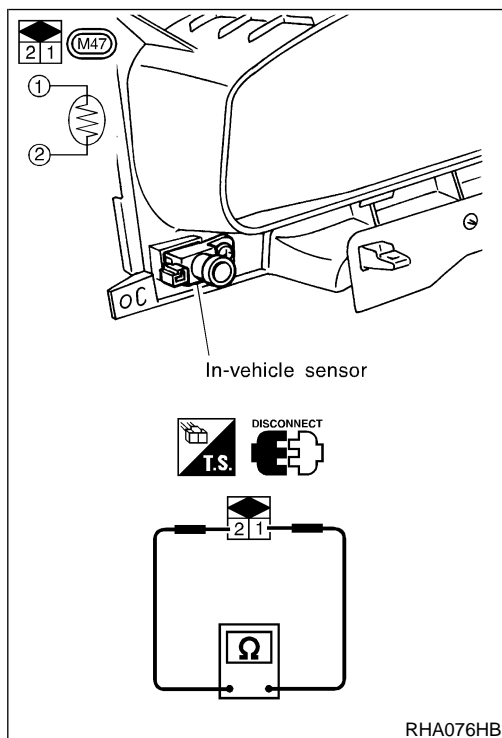
<b>1</b>	<b>CHECK IN-VEHICLE SENSOR CIRCUIT BETWEEN IN-VEHICLE SENSOR AND BODY GROUND</b>
<p>Disconnect in-vehicle sensor harness connector. Do approx. 5 volts exist between in-vehicle sensor harness terminal No. 1 and body ground?</p>	
RHA075H	
<b>Yes or No</b>	
Yes	▶ GO TO 2.
No	▶ GO TO 4.

<b>2</b>	<b>CHECK IN-VEHICLE SENSOR CIRCUIT BETWEEN IN-VEHICLE SENSOR AND AUTO AMP. (LCU)</b>	
<p>1. Disconnect auto amp. (LCU) harness connector.                  2. Check circuit continuity between in-vehicle sensor harness terminal No. 2 and auto amp. (LCU) harness terminal No. 11.  <b>Continuity should exist.</b></p>		
		
RHA478GB		
<b>OK or NG</b>		
OK	▶	GO TO 3.
NG	▶	Repair harness or connector.

<b>3</b>	<b>CHECK IN-VEHICLE SENSOR</b>	
Refer to HA-98.		
<b>OK or NG</b>		
OK	▶	1. Replace auto amp. 2. Go to self-diagnosis step-by-step procedure (HA-32) and perform self-diagnosis STEP-2. Confirm that code No. 20 is displayed.
NG	▶	1. Replace in-vehicle sensor. 2. Go to self-diagnosis step-by-step procedure (HA-32) and perform self-diagnosis STEP-2. Confirm that code No. 20 is displayed.

GI  
 MA  
 EM  
 LC  
 EC  
 FE  
 CL  
 MT  
 AT  
 AX  
 SU  
 BR  
 ST  
 RS  
 BT  
 HA  
 SC  
 EL  
 IDX

<b>4</b>	<b>CHECK IN-VEHICLE SENSOR CIRCUIT BETWEEN AMBIENT SENSOR AND AUTO AMP. (LCU)</b>
<ol style="list-style-type: none"> <li>1. Disconnect auto amp. (LCU) harness connector.</li> <li>2. Check circuit continuity between in-vehicle sensor harness terminal No. 1 and auto amp. (LCU) harness terminal No. 3.</li> </ol> <p style="color: blue; margin-left: 20px;"><b>Continuity should exist.</b></p>	
	
RHA479GB	
<b>OK or NG</b>	
OK	<ol style="list-style-type: none"> <li>1. Replace auto amp. (LCU).</li> <li>2. Go to self-diagnosis step-by-step procedure (HA-32) and perform self-diagnosis STEP-2. Confirm that code No. 20 is displayed.</li> </ol>
NG	Repair harness or connector.



## ELECTRICAL COMPONENT INSPECTION

*NCHA0045*

### In-vehicle Sensor

*NCHA0045S01*

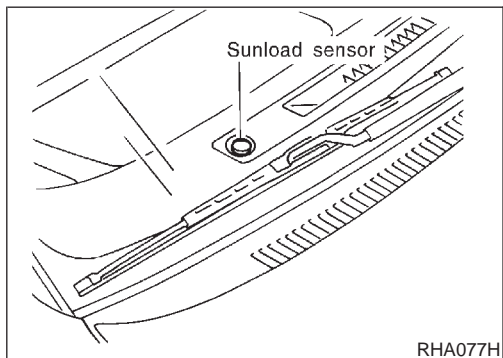
After disconnecting in-vehicle sensor harness connector, measure resistance between terminals 1 and 2 at sensor harness side, using the table below.

Temperature °C (°F)	Resistance kΩ
-15 (5)	12.73
-10 (14)	9.92
-5 (23)	7.80
0 (32)	6.19
5 (41)	4.95
10 (50)	3.99
15 (59)	3.24
20 (68)	2.65
25 (77)	2.19
30 (86)	1.81



Temperature °C (°F)	Resistance kΩ
35 (95)	1.51
40 (104)	1.27
45 (113)	1.07

If NG, replace in-vehicle sensor.



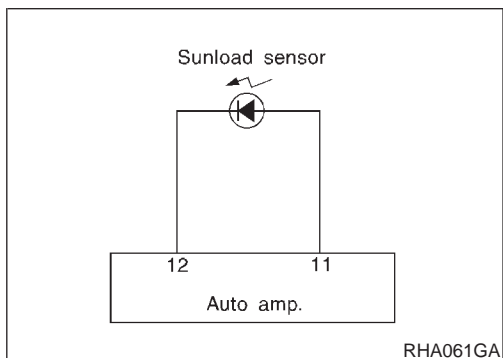
**Sunload Sensor Circuit**  
**COMPONENT DESCRIPTION**

The sunload sensor is located on the right defroster grille. It detects sunload entering through windshield by means of a photo diode. The sensor converts the sunload into a current value which is then input into the auto amplifier.

**SUNLOAD INPUT PROCESS**

The auto amp. also includes a processing circuit which "average" the variations in detected sunload over a period of time. This prevents drastic swings in the ATC system operation due to small or quick variations in detected sunload.

For example, consider driving along a road bordered by an occasional group of large trees. The sunload detected by the sunload sensor will vary whenever the trees obstruct the sunlight. The processing circuit averages the detected sunload over a period of time, so that the (insignificant) effect of the trees momentarily obstructing the sunlight does not cause any change in the ATC system operation. On the other hand, shortly after entering a long tunnel, the system will recognize the change in sunload, and the system will react accordingly.



**DIAGNOSTIC PROCEDURE**

**SYMPTOM:** Sunload sensor circuit is open or shorted. (25 or -25 is indicated on auto amp. as a result of conducting Self-diagnosis STEP 2.)

GI

MA

EM

LC

EC

FE

CL

MT

AT

AX

SU

BR

ST

RS

BT

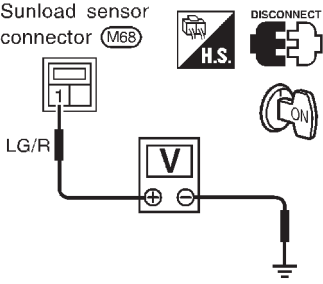
**HA**

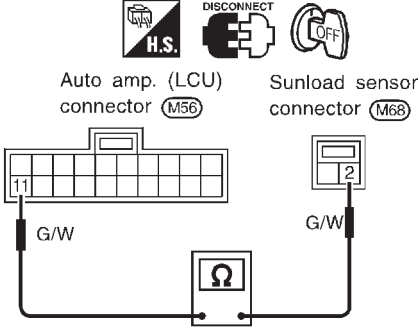
SC

EL

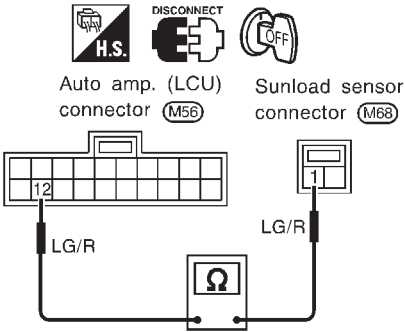
IDX

*Sunload Sensor Circuit (Cont'd)*

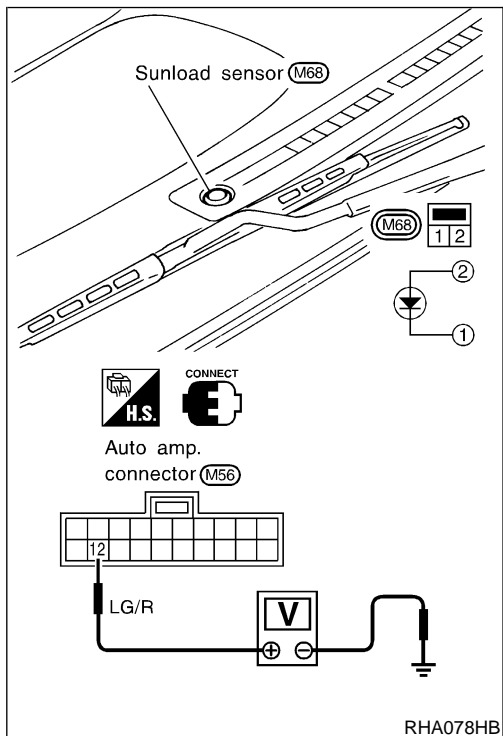
<b>1</b>	<b>CHECK SUNLOAD SENSOR CIRCUIT BETWEEN SUNLOAD SENSOR AND BODY GROUND</b>	
<p>Disconnect sunload sensor harness connector. Do approx. 5 volts exist between sunload sensor harness terminal No. 1 and body ground?</p>		
		
RHA062GC		
<b>Yes or No</b>		
Yes	▶	GO TO 2.
No	▶	GO TO 4.

<b>2</b>	<b>CHECK SUNLOAD SENSOR CIRCUIT BETWEEN SUNLOAD SENSOR AND AUTO AMP. (LCU)</b>	
<p>1. Disconnect auto amp. (LCU) harness connector. 2. Check circuit continuity between sunload sensor harness terminal No. 2 and auto amp. (LCU) harness terminal No. 11. <b>Continuity should exist.</b></p>		
		
RHA483GB		
<b>OK or NG</b>		
OK	▶	GO TO 3.
NG	▶	Repair harness or connector.

<b>3</b>	<b>CHECK SUNLOAD SENSOR.</b>	
Refer to HA-101.		
<b>OK or NG</b>		
OK	▶	<p>1. Replace auto amp. (LCU). 2. Go to self-diagnosis step-by-step procedure (HA-32) and perform self-diagnosis STEP-2. Confirm that code No. 20 is displayed.</p>
NG	▶	<p>1. Replace sunload sensor. 2. Go to self-diagnosis step-by-step procedure (HA-32) and perform self-diagnosis STEP-2. Confirm that code No. 20 is displayed.</p>

<b>4</b>	<b>CHECK SUNLOAD SENSOR CIRCUIT BETWEEN SUNLOAD SENSOR AND AUTO AMP. (LCU)</b>	
<p>1. Disconnect auto amp. (LCU) harness connector.                  2. Check circuit continuity between sunload sensor harness terminal No. 1 and auto amp. (LCU) harness terminal No. 12.  <b>Continuity should exist.</b></p>		
		
RHA484GB		
<b>OK or NG</b>		
OK	▶	1. Replace auto amp. 2. Go to self-diagnosis step-by-step procedure (HA-32) and perform self-diagnosis STEP-2. Confirm that code No. 20 is displayed.
NG	▶	Repair harness or connector.

GI  
 MA  
 EM  
 LC  
 EC  
 FE  
 CL  
 MT  
 AT  
 AX  
 SU  
 BR  
 ST  
 RS  
 BT  
 HA  
 SC  
 EL  
 IDX



## ELECTRICAL COMPONENT INSPECTION

NCHA0049

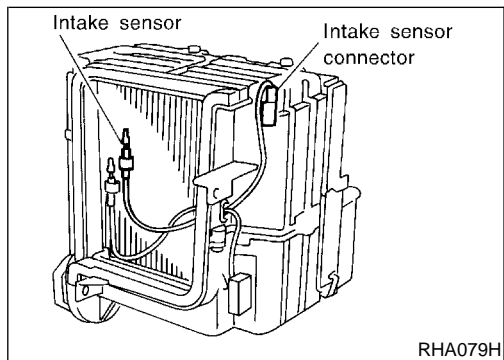
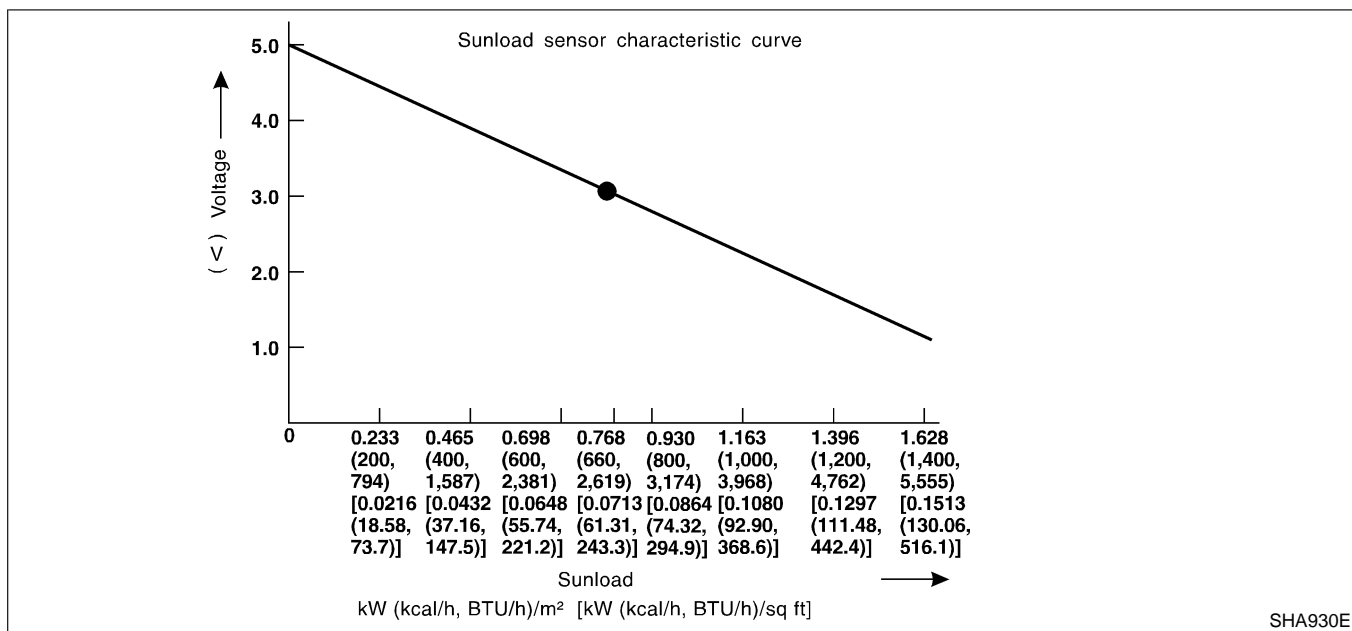
### Sunload Sensor

NCHA0049S01

Measure voltage between auto amp. terminal 12 and body ground.  
 If NG, replace sunload sensor.

- **When checking sunload sensor, select a place where sun shines directly on it.**

## Sunload Sensor Circuit (Cont'd)



## Intake Sensor Circuit COMPONENT DESCRIPTION Intake Sensor

NCHA0105

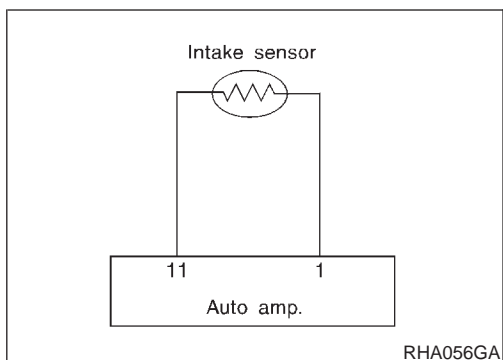
NCHA0105S01

The intake sensor is located on the cooling unit. It converts temperature of air after it passes through the evaporator into a resistance value which is then input to the auto amp.

After disconnecting intake sensor harness connector, measure resistance between terminals 1 and 2 at sensor harness side, using the table below.

Temperature °C (°F)	Resistance kΩ
-15 (5)	12.73
-10 (14)	9.92
-5 (23)	7.80
0 (32)	6.19
5 (41)	4.95
10 (50)	3.99
15 (59)	3.24
20 (68)	2.65
25 (77)	2.19
30 (86)	1.81
35 (95)	1.51
40 (104)	1.27
45 (113)	1.07

If NG, replace intake sensor.



## DIAGNOSTIC PROCEDURE

**SYMPTOM:** Intake sensor circuit is open or shorted. (24 or -24 is indicated on auto amp. as a result of conducting Self-diagnosis STEP 2.)

GI  
 MA  
 EM  
 LC  
 EC  
 FE  
 CL  
 MT  
 AT  
 AX  
 SU  
 BR  
 ST  
 RS  
 BT  
 HA  
 SC  
 EL  
 IDX

<b>1</b>	<b>CHECK INTAKE SENSOR CIRCUIT BETWEEN INTAKE SENSOR AND BODY GROUND</b>	
Disconnect intake sensor harness connector. Do approx. 5 volts exist between intake sensor harness terminal No. 2 and body ground?		
<b>Yes or No</b>		
Yes	▶	GO TO 2.
No	▶	GO TO 4.

<b>2</b>	<b>CHECK INTAKE SENSOR CIRCUIT BETWEEN INTAKE SENSOR AND AUTO AMP. (LCU)</b>	
1. Disconnect auto amp. (LCU) harness connector. 2. Check circuit continuity between intake sensor harness terminal No. 2 and auto amp. (LCU) harness terminal No. 11. <b>Continuity should exist.</b>		
<b>OK or NG</b>		
OK	▶	GO TO 3.
NG	▶	Repair harness or connector.

Intake Sensor Circuit (Cont'd)

<b>3</b>	<b>CHECK INTAKE SENSOR</b>	
Refer to HA-102.		
<b>OK or NG</b>		
OK	▶	<ol style="list-style-type: none"> <li>1. Replace auto amp.</li> <li>2. Go to self-diagnosis step-by-step procedure (HA-32) and perform self-diagnosis STEP-2. Confirm that code No. 20 is displayed.</li> </ol>
NG	▶	<ol style="list-style-type: none"> <li>1. Replace intake sensor.</li> <li>2. Go to self-diagnosis step-by-step procedure (HA-32) and perform self-diagnosis STEP-2. Confirm that code No. 20 is displayed.</li> </ol>

<b>4</b>	<b>CHECK INTAKE SENSOR CIRCUIT BETWEEN AMBIENT SENSOR AND AUTO AMP. (LCU)</b>	
<ol style="list-style-type: none"> <li>1. Disconnect auto amp. (LCU) harness connector.</li> <li>2. Check circuit continuity between intake sensor harness terminal No. 1 and auto amp. (LCU) harness terminal No. 1. <b>Continuity should exist.</b></li> </ol>		
<div style="text-align: right; margin-top: 5px;">RHA497GB</div>		
<b>OK or NG</b>		
OK	▶	<ol style="list-style-type: none"> <li>1. Replace auto amp.</li> <li>2. Go to self-diagnosis step-by-step procedure (HA-32) and perform self-diagnosis STEP-2. Confirm that code No. 20 is displayed.</li> </ol>
NG	▶	Repair harness or connector.

## Air Mix Door Motor PBR Circuit DIAGNOSTIC PROCEDURE

NCHA0050

For description of mode door motor and air mix door motor circuit, refer to HA-50.

**SYMPTOM:** If PBR circuit is open or shorted. (–25 or 25 is indicated on auto amp. as a result of conducting Self-diagnosis STEP 2.)

Perform diagnostic procedure for mode door motor and air mix door motor. Refer to HA-50.

HFC-134a (R-134a) Service Procedure

NCHA0070

NCHA0070S01

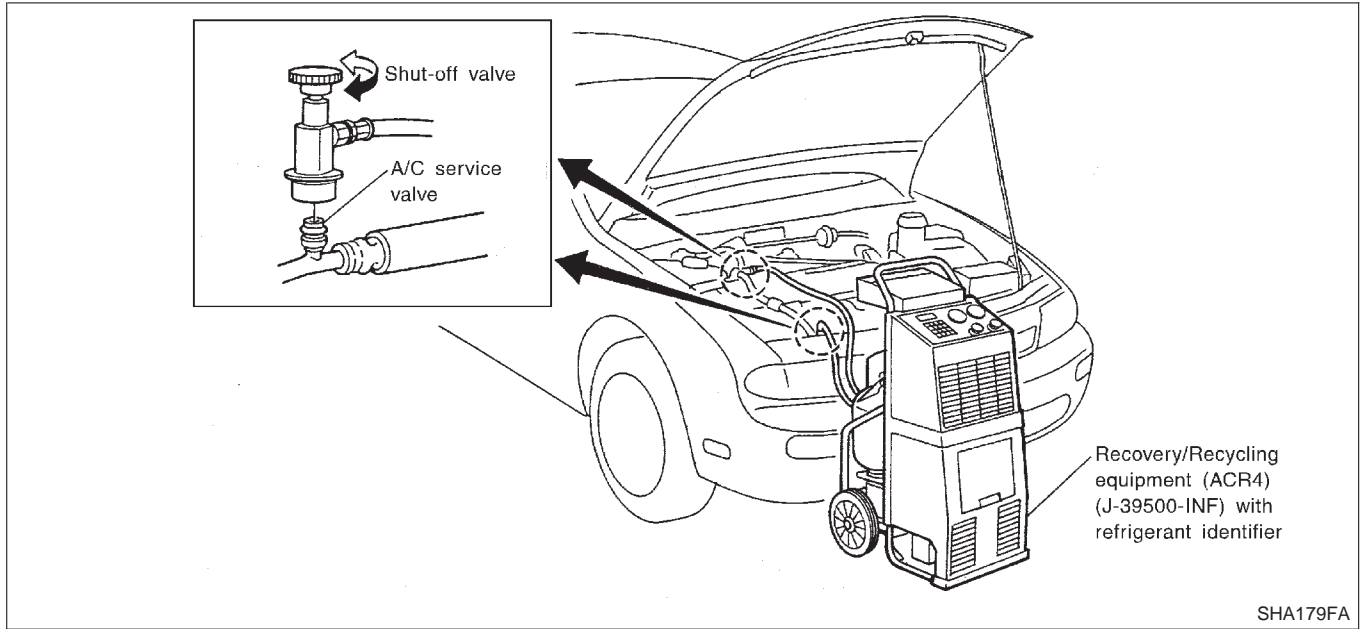
NCHA0070S0101

SETTING OF SERVICE TOOLS AND EQUIPMENT

Discharging Refrigerant

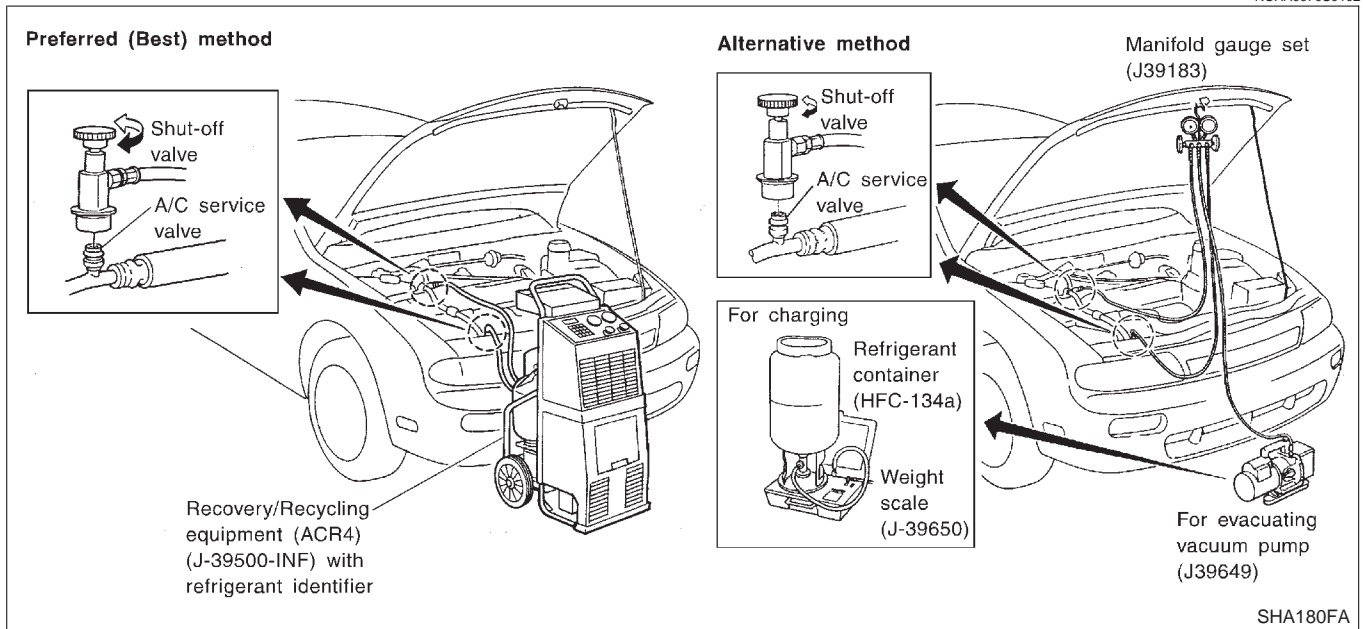
WARNING:

Avoid breathing A/C refrigerant and lubricant vapor or mist. Exposure may irritate eyes, nose and throat. Remove HFC-134a (R-134a) from A/C system using certified service equipment meeting requirements of SAE J2210 (R-134a recycling equipment) or J2209 (R-134a recovery equipment). If accidental system discharge occurs, ventilate work area before resuming service. Additional health and safety information may be obtained from refrigerant and lubricant manufacturers.



Evacuating System and Charging Refrigerant

NCHA0070S0102



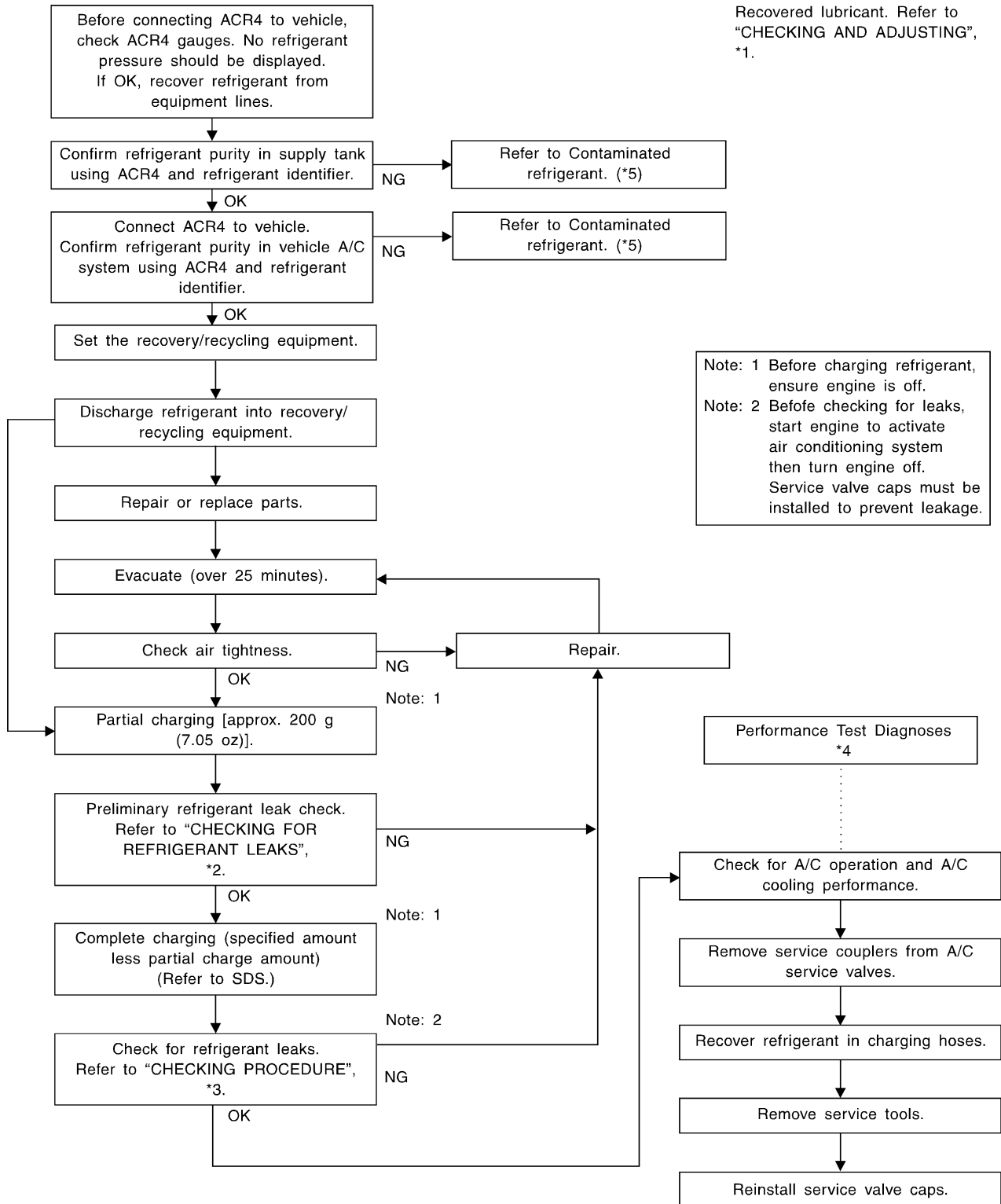
GI  
MA  
EM  
LC  
EC  
FE  
CL  
MT  
AT  
AX  
SU  
BR  
ST  
RS  
BT  
HA  
SC  
EL  
IDX

# SERVICE PROCEDURE

**AUTO**

HFC-134a (R-134a) Service Procedure (Cont'd)

Recovered lubricant. Refer to "CHECKING AND ADJUSTING", \*1.



Note: 1 Before charging refrigerant, ensure engine is off.  
 Note: 2 Before checking for leaks, start engine to activate air conditioning system then turn engine off. Service valve caps must be installed to prevent leakage.

\*1: HA-107  
 \*2: HA-118

\*3: HA-120  
 \*4: HA-81

\*5: HA-3

SHA251FA



## Maintenance of Lubricant Quantity in Compressor

NCHA0071

The lubricant in the compressor circulates through the system with the refrigerant. Add lubricant to compressor when replacing any component or after a large gas leakage occurred. It is important to maintain the specified amount.

If lubricant quantity is not maintained properly, the following malfunctions may result:

- Lack of lubricant: May lead to a seized compressor
- Excessive lubricant: Inadequate cooling (thermal exchange interference)

### LUBRICANT

NCHA0071S01

**Name: Nissan A/C System Oil Type R**  
**Part number: KLH00-PAGRO**

### CHECKING AND ADJUSTING

NCHA0071S02

Adjust the lubricant quantity according to the test group shown below.

<b>1</b>	<b>CHECK LUBRICANT RETURN OPERATION</b>	
Can lubricant return operation be performed?		
<ul style="list-style-type: none"> <li>● A/C system works properly.</li> <li>● There is no evidence of a large amount of lubricant leakage.</li> </ul>		
<b>Yes or No</b>		
Yes	▶	GO TO 2.
No	▶	GO TO 3.

<b>2</b>	<b>PERFORM LUBRICANT RETURN OPERATION, PROCEEDING AS FOLLOWS:</b>	
1. Start engine, and set the following conditions:		
<ul style="list-style-type: none"> <li>● <b>Test condition</b></li> </ul>		
<b>Engine speed: Idling to 1,200 rpm</b>		
<b>A/C or AUTO switch: ON</b>		
<b>Blower speed: Max. position</b>		
<b>Temp. control: Optional [Set so that intake air temperature is 25 to 30°C (77 to 86°F).]</b>		
2. Perform lubricant return operation for about 10 minutes.		
3. Stop engine.		
<b>CAUTION:</b>		
<b>If excessive lubricant leakage is noted, do not perform the lubricant return operation.</b>		
OK	▶	GO TO 3.

<b>3</b>	<b>CHECK COMPRESSOR</b>	
Should the compressor be replaced?		
<b>Yes or No</b>		
Yes	▶	Go to "Lubricant Adjustment Procedure for Compressor Replacement", (HA-109).
No	▶	GO TO 4.

GI  
MA  
EM  
LC  
EC  
FE  
CL  
MT  
AT  
AX  
SU  
BR  
ST  
RS  
BT  
HA  
SC  
EL  
IDX

# SERVICE PROCEDURE

**AUTO**

*Maintenance of Lubricant Quantity in Compressor (Cont'd)*

<b>4</b>	<b>CHECK ANY PART</b>	
Is there any part to be replaced? (Evaporator, condenser, liquid tank or in case there is evidence of a large amount of lubricant leakage.) <p style="text-align: center;"><b>Yes or No</b></p>		
Yes	▶	Go to "Lubricant Adjusting Procedure for Components Replacement Except Compressor", (HA-109).
No	▶	Carry out the A/C performance test.

**Lubricant Adjusting Procedure for Components Replacement Except Compressor**

=NCHA0071S0201

After replacing any of the following major components, add the correct amount of lubricant to the system.

**Amount of lubricant to be added**

Part replaced	Lubricant to be added to system	Remarks
	Amount of lubricant mℓ (US fl oz, Imp fl oz)	
Evaporator	75 (2.5, 2.6)	—
Condenser	75 (2.5, 2.6)	—
Liquid tank	5 (0.2, 0.2)	Add if compressor is not replaced. *1
In case of refrigerant leak	30 (1.0, 1.1)	Large leak
	—	Small leak *2

\*1: If compressor is replaced, addition of lubricant is included in the table.

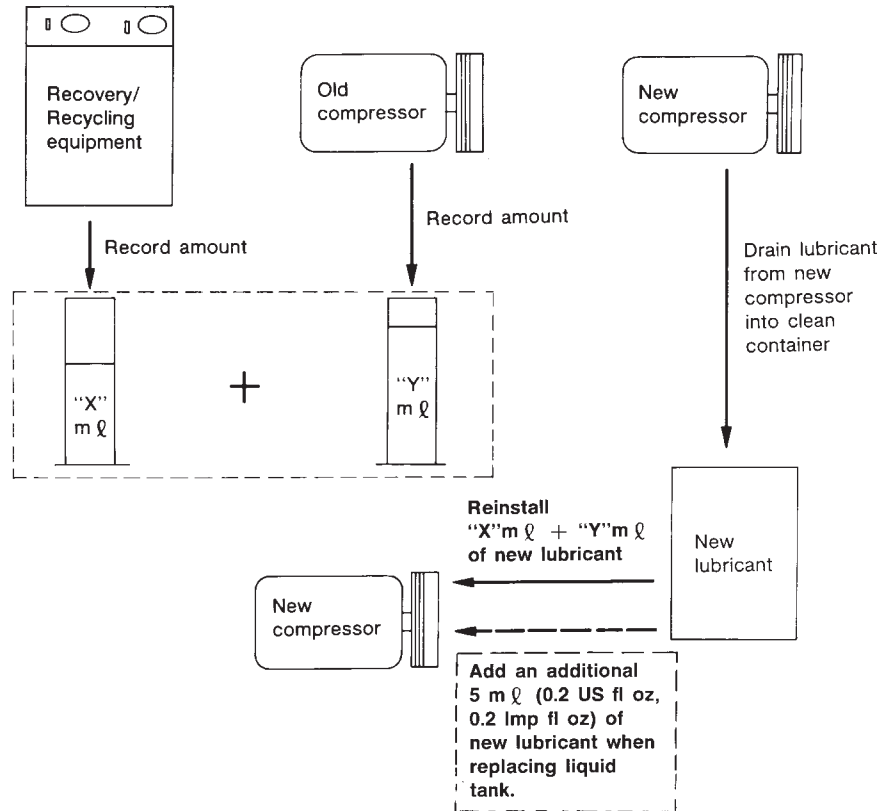
\*2: If refrigerant leak is small, no addition of lubricant is needed.

**Lubricant Adjusting Procedure for Compressor Replacement**

NCHA0071S0202

1. Before connecting ACR4 to vehicle, check ACR4 gauges. No refrigerant pressure should be displayed. If NG, recover refrigerant from equipment lines.
2. Connect ACR4 to vehicle. Confirm refrigerant purity in supply tank using ACR4 and refrigerant identifier. If NG, refer to "CONTAMINATED REFRIGERANT", HA-3.
3. Confirm refrigerant purity in vehicle A/C system using ACR4 and refrigerant identifier. If NG, refer to "CONTAMINATED REFRIGERANT", HA-3.
4. Discharge refrigerant into the refrigerant recovery/recycling equipment. Measure lubricant discharged into the recovery/recycling equipment.
5. Drain the lubricant from the "old" (removed) compressor into a graduated container and recover the amount of lubricant drained.
6. Drain the lubricant from the "new" compressor into a separate, clean container.
7. Measure an amount of new lubricant installed equal to amount drained from "old" compressor. Add this lubricant to "new" compressor through the suction port opening.
8. Measure an amount of new lubricant equal to the amount recovered during discharging. Add this lubricant to "new" compressor through the suction port opening.
9. If the liquid tank also needs to be replaced, add an additional 5 mℓ (0.2 US fl oz, 0.2 Imp fl oz) of lubricant at this time.  
**Do not add this 5 mℓ (0.2 US fl oz, 0.2 Imp fl oz) of lubricant if only replacing the compressor.**

## Lubricant adjusting procedure for compressor replacement

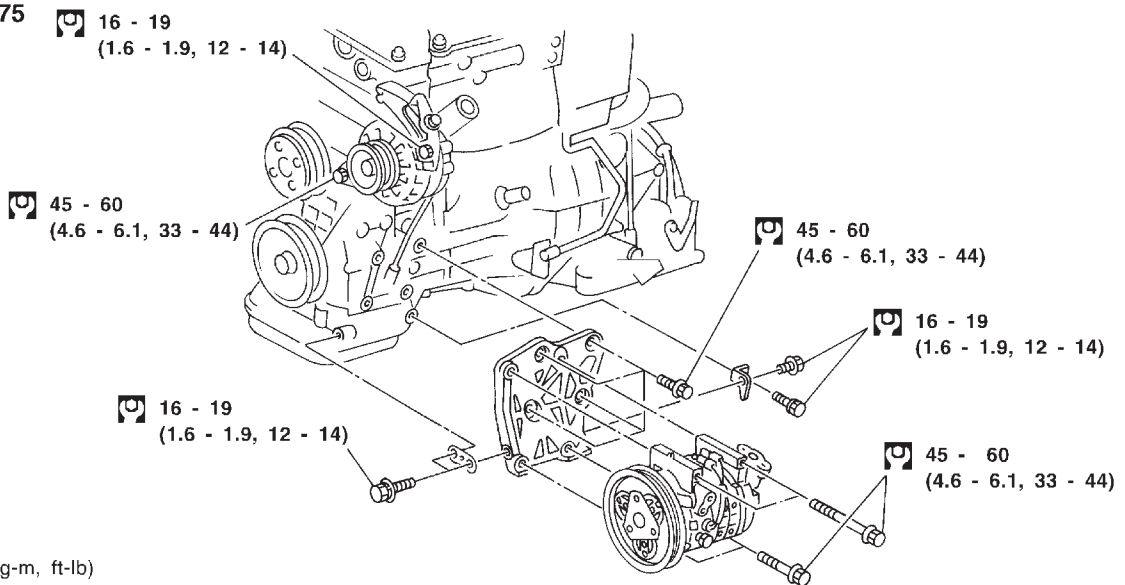


RHA065DD

## Compressor REMOVAL AND INSTALLATION

NCHA0072

SEC. 274•275



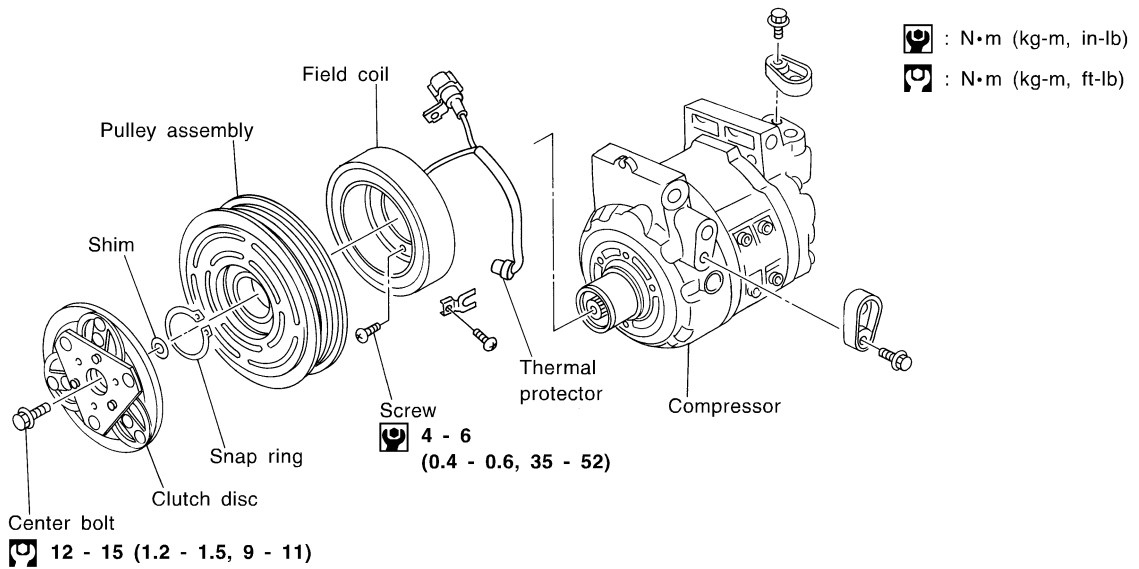
RHA080H

**Compressor Clutch  
OVERHAUL**

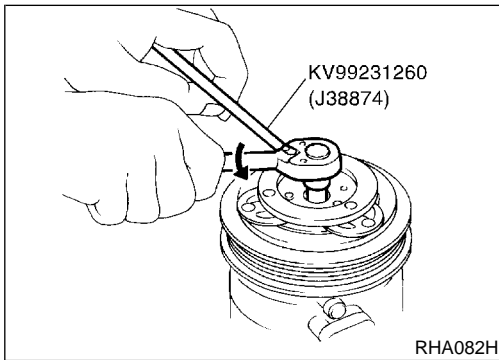
NCHA0073

GI  
MA  
EM  
LC  
EC  
FE  
CL  
MT  
AT  
AX  
SU  
BR  
ST  
RS  
BT  
HA  
SC  
EL  
IDX

**SEC. 274**



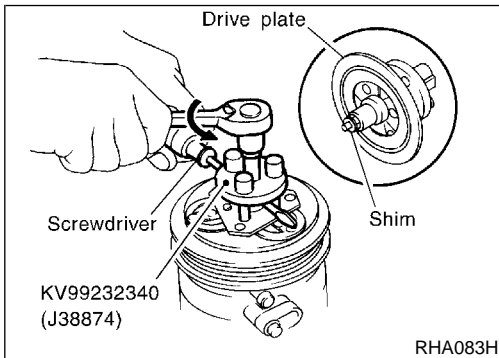
RHA668H



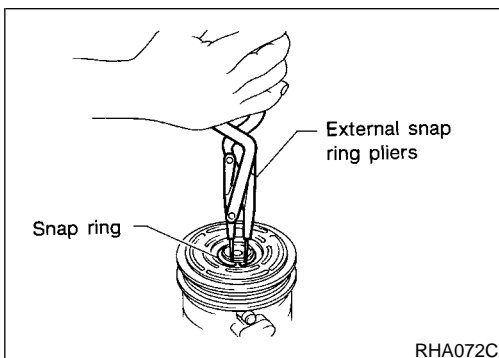
**REMOVAL**

NCHA0074

- When removing center bolt, hold clutch disc with clutch disc wrench.

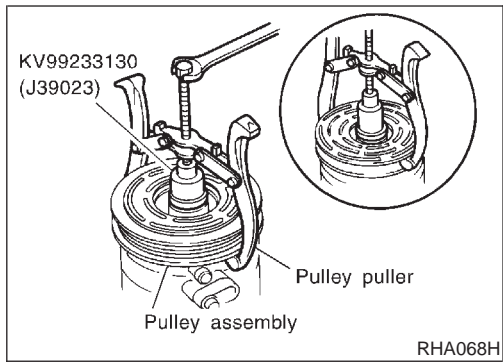


- Remove the drive plate using the clutch disc puller. Insert holder's three pins into the drive plate. Rotate the holder clockwise to hook it onto the plate. Tighten the center bolt to remove the drive plate. While tightening the center bolt, insert a screwdriver between two of the pins (as shown in the figure) to prevent rotation. After removing the drive plate, remove the shims from either the drive shaft or the drive plate.



- Remove the snap ring using external snap ring pliers.

## Compressor Clutch (Cont'd)



- Pulley removal:  
Use a commercially available pulley puller. Position the center of the puller on the end of the drive shaft. Remove the pulley assembly with the puller.

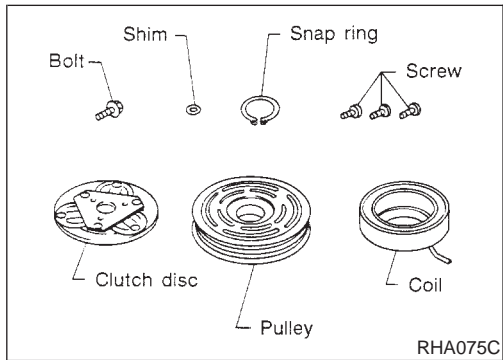
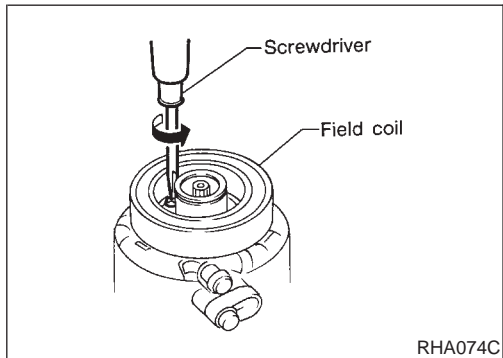
### For pressed pulleys:

To prevent deformation of the pulley groove, the puller claws should be hooked under (not into) the pulley groove.

### For machine latched pulleys:

Align the pulley puller groove with the pulley groove, and then remove the pulley assembly.

- Remove the field coil harness clip using a screwdriver.
- Remove the three field coil fixing screws and remove the field coil.



## INSPECTION

NCHA0075

### Clutch Disc

NCHA0075S01

If the contact surface shows signs of damage due to excessive heat, replace clutch disc and pulley.

### Pulley

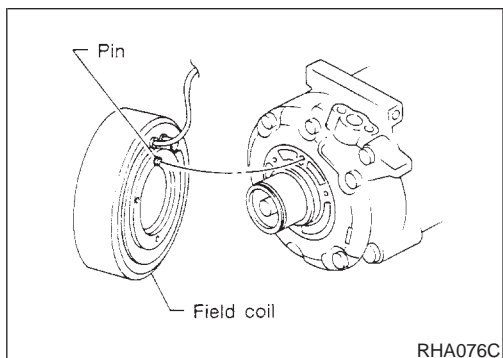
NCHA0075S02

Check the appearance of the pulley assembly. If contact surface of pulley shows signs of excessive grooving, replace clutch disc and pulley. The contact surfaces of the pulley assembly should be cleaned with a suitable solvent before reinstallation.

### Coil

NCHA0075S03

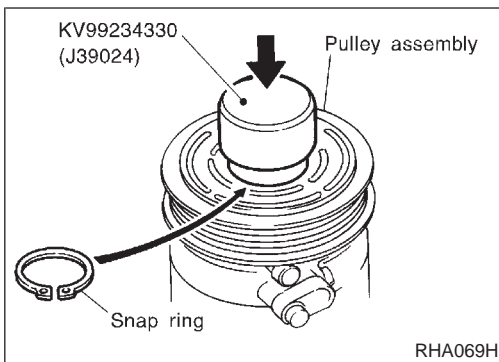
Check coil for loose connection or cracked insulation.



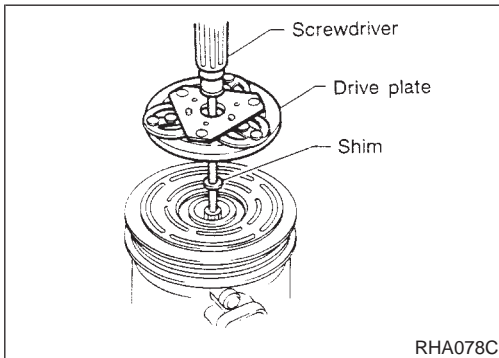
## INSTALLATION

NCHA0076

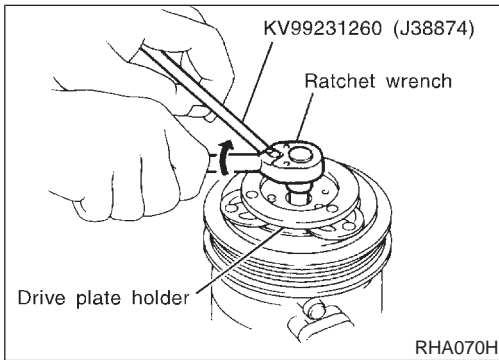
- Install the field coil.  
**Be sure to align the coil pin with the hole in the compressor front head.**
- Install the field coil harness clip using a screwdriver.



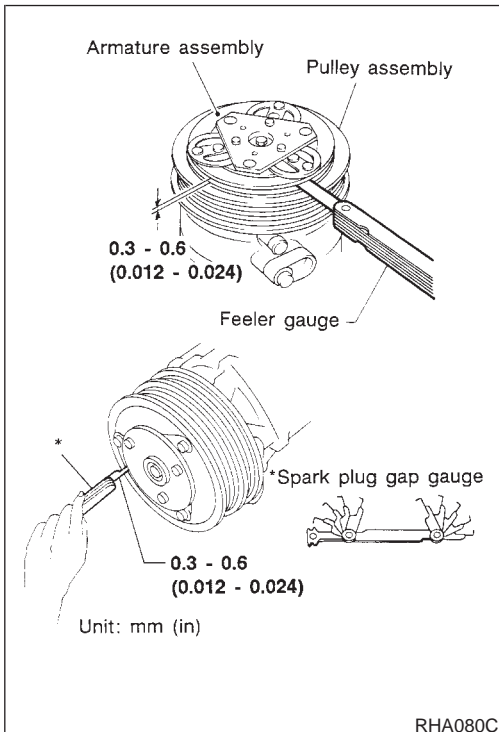
- Install the pulley assembly using the installer and a hand press, and then install the snap ring using snap ring pliers.



- Install the drive plate on the drive shaft, together with the original shim(s). Press the drive plate down by hand.



- Using the holder to prevent drive plate rotation, tighten the bolt to 12 to 15 N·m (1.2 to 1.5 kg·m, 9 to 11 ft·lb) torque.
- **After tightening the bolt, check that the pulley rotates smoothly.**



- Check clearance all the way around the clutch disc.

**Disc-to-pulley clearance:**  
**0.3 - 0.6 mm (0.012 - 0.024 in)**

If the specified clearance is not obtained, replace adjusting spacer and readjust.

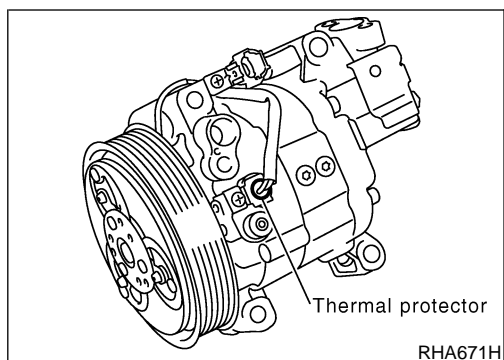
### Break-in Operation

When replacing compressor clutch assembly, always conduct the break-in operation. This is done by engaging and disengaging the clutch about thirty times. Break-in operation raises the level of transmitted torque.

NCHA0076S01

GI  
 MA  
 EM  
 LC  
 EC  
 FE  
 CL  
 MT  
 AT  
 AX  
 SU  
 BR  
 ST  
 RS  
 BT  
 HA  
 SC  
 EL  
 IDX

## Thermal Protector



## Thermal Protector

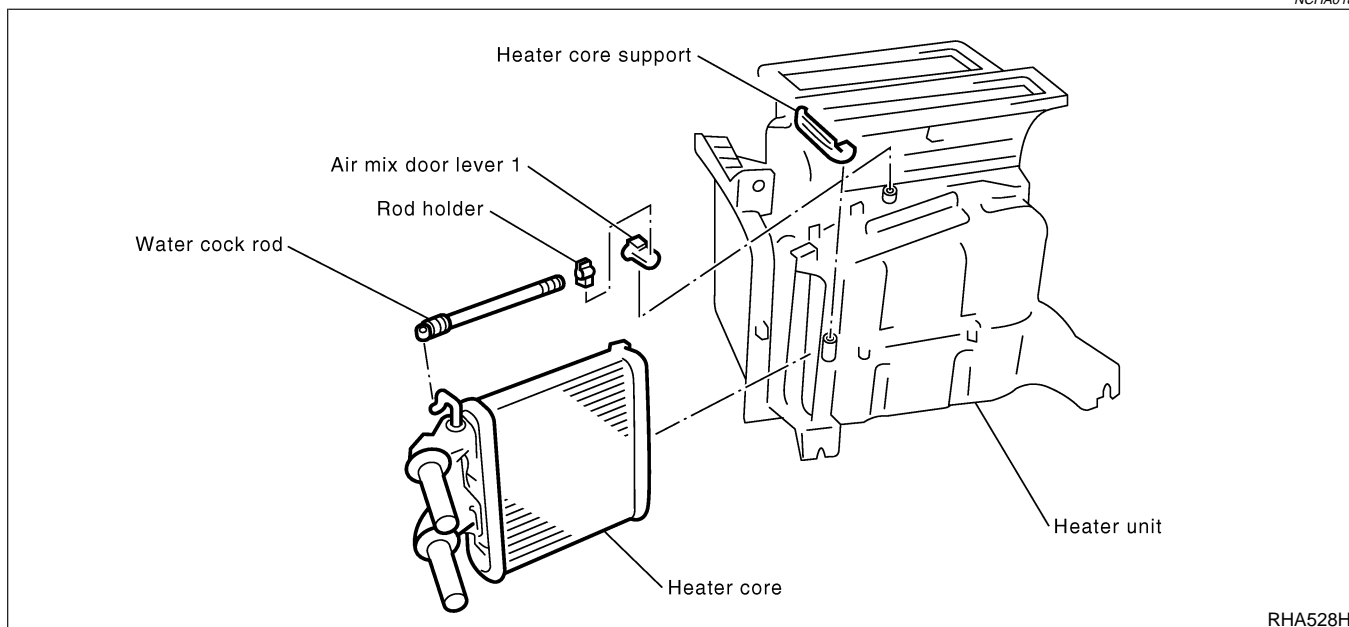
## INSPECTION

- When servicing, do not allow foreign matter to enter compressor.
- Check continuity between compressor harness terminal and field coil.

NCHA0108

## Heater Unit (Heater Core)

## REMOVAL



NCHA0183

RHA528H

1. Drain the cooling system. Refer to MA-14, "Changing Engine Coolant".
2. Discharge the A/C system. Refer to HA-105.
3. Disconnect the two heater hoses from inside the engine compartment.
4. Remove the cooling unit. Refer to HA-116.
5. Remove the steering member assembly. Refer to BT-23, "Instrument Panel Assembly".
6. Remove the heater unit.
7. Remove the heater core.

## INSTALLATION

Install in the reverse order of removal.

**When filling radiator with coolant, refer to MA-14, "Changing Engine Coolant".**

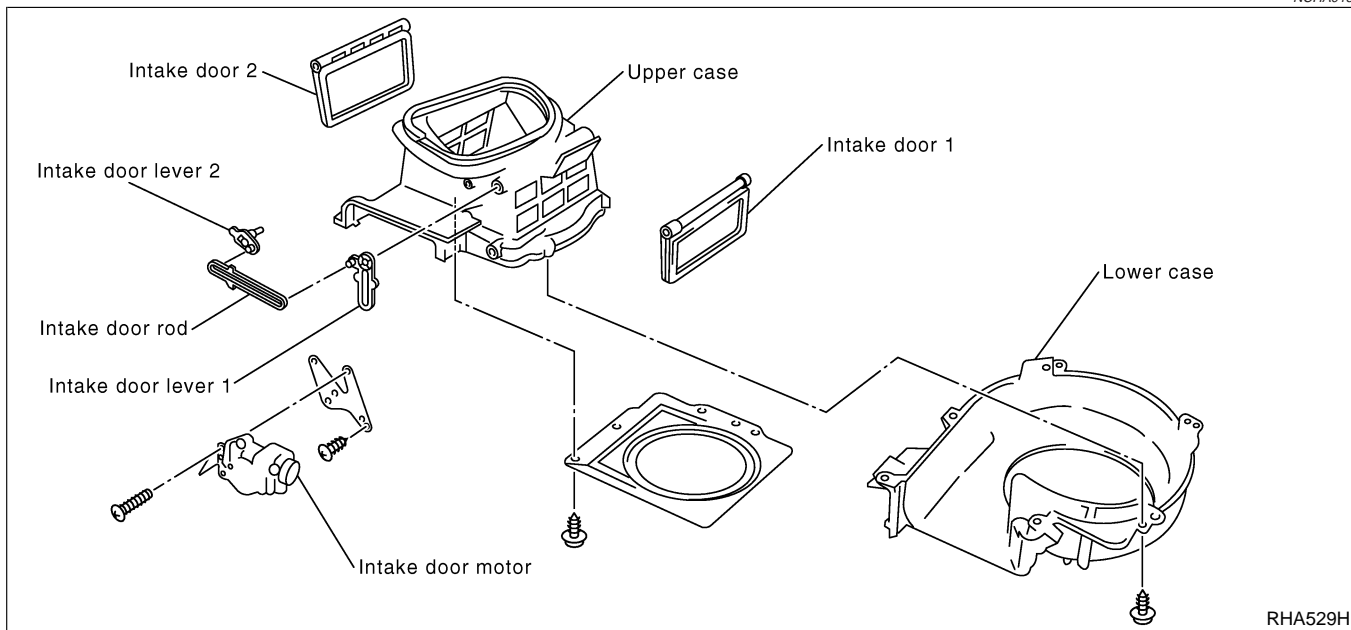
**Recharge the A/C system. Refer to HA-105.**

NCHA0184

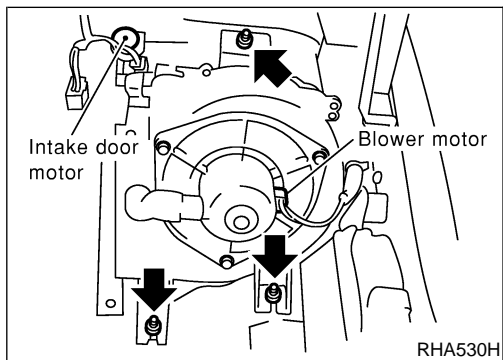


**Blower Unit  
REMOVAL**

NCHA0185



RHA529H



RHA530H

1. Discharge the A/C system. Refer to HA-105.
2. Disconnect the two refrigerant lines from the engine compartment. Cap the A/C lines to prevent moisture from entering the system.
3. Remove the glove box and mating trim. Refer to BT-23, "Instrument Panel Assembly".
4. Remove cooling unit. Refer to HA-116.
5. Disconnect the intake door motor and blower motor connector.
6. Remove blower unit.
7. Remove the three bolts and then remove the motor from the blower case.

**INSTALLATION**

Install in the reverse order of removal.

**Recharge the A/C system. Refer to HA-105.**

NCHA0186

GI

MA

EM

LC

EC

FE

CL

MT

AT

AX

SU

BR

ST

RS

BT

**HA**

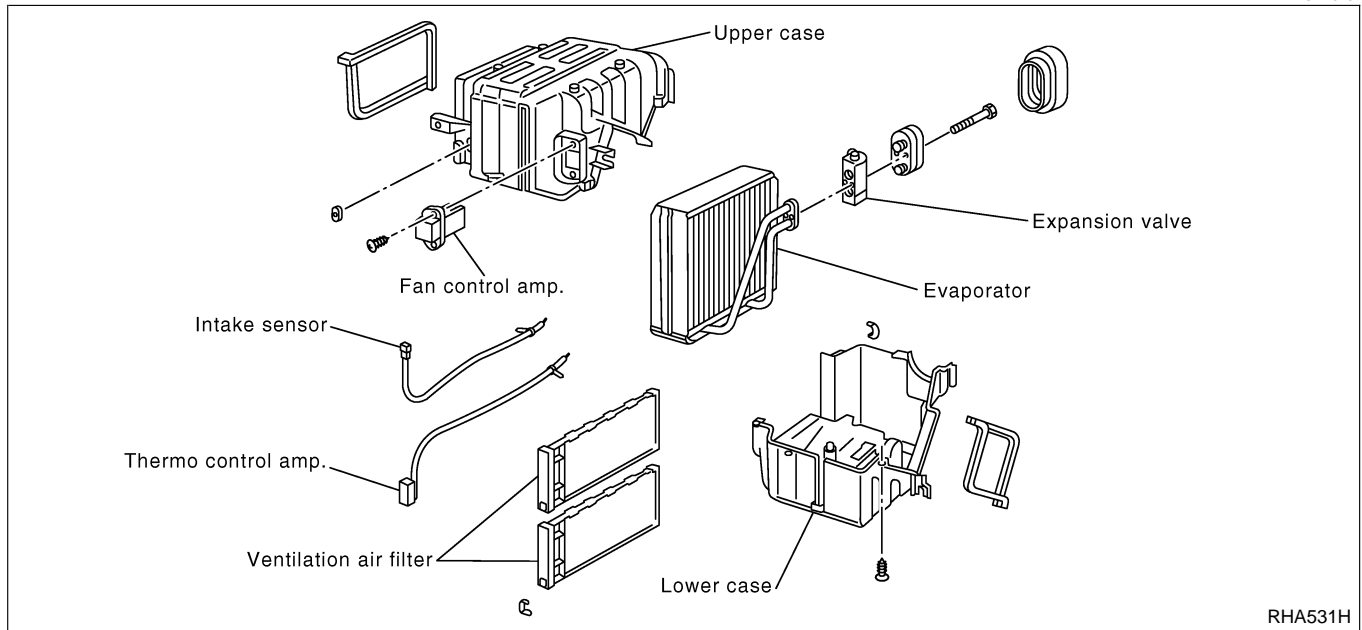
SC

EL

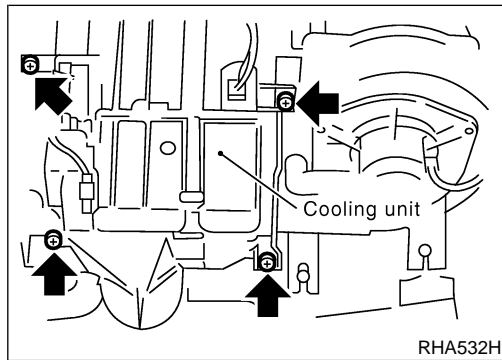
IDX

**Cooling Unit (A/C Evaporator)  
REMOVAL**

NCHA0187



RHA531H



RHA532H

1. Discharge the A/C system. Refer to HA-105.
2. Disconnect the two refrigerant lines from the engine compartment.  
Cap the A/C lines to prevent moisture from entering the system.
3. Remove the glove box and mating trim. Refer to BT-23, "Instrument Panel Assembly".
4. Disconnect the thermo control amp. and intake sensor connector.
5. Disconnect the fan control amp. connector.
6. Remove the cooling unit.
7. Separate the cooling unit case, and remove the evaporator.

**INSTALLATION**

NCHA0188

Install in the reverse order of removal.  
**Recharge the A/C system. Refer to HA-105.**

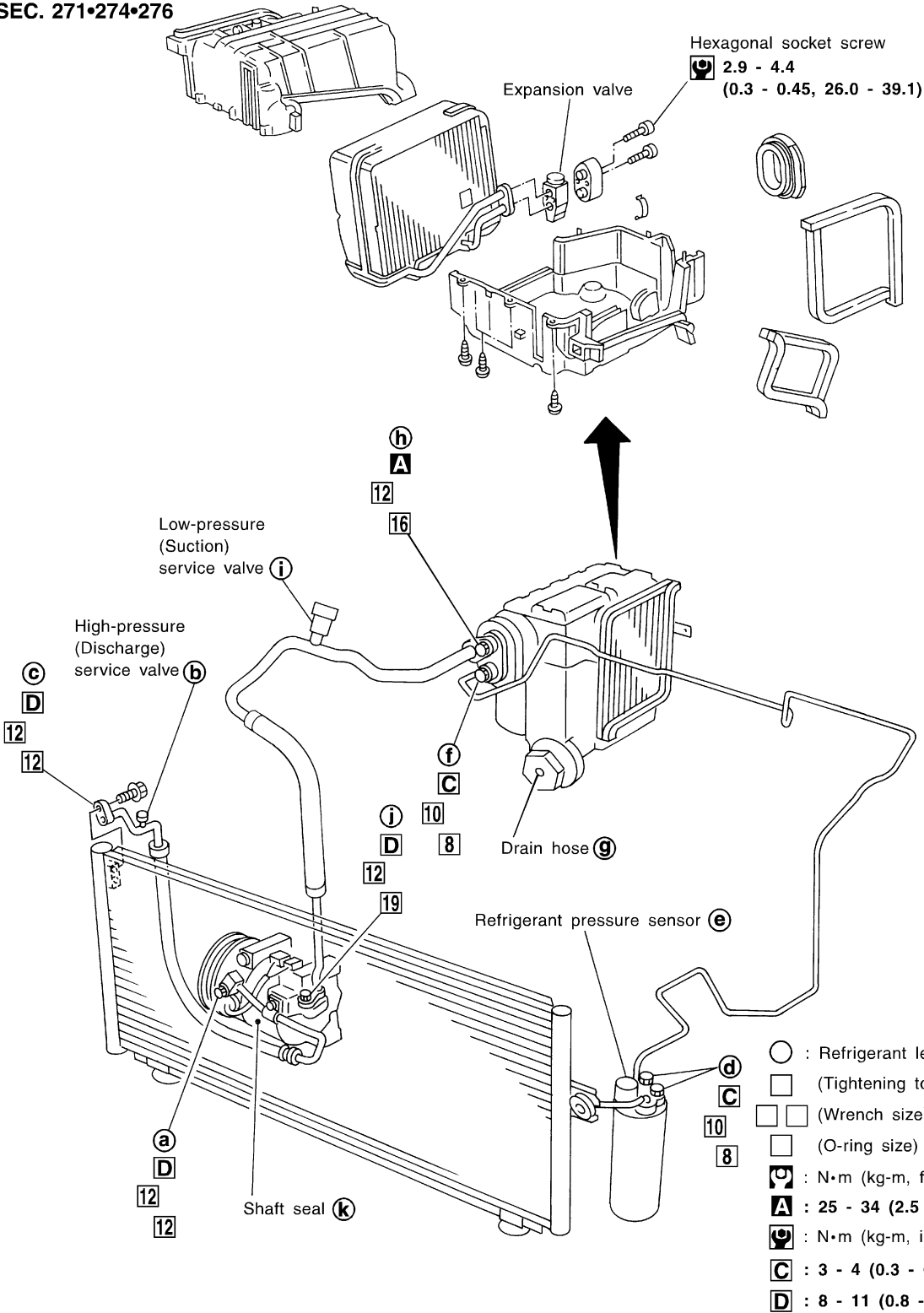
Refrigerant Lines

REMOVAL AND INSTALLATION

=NCHA0077

- Refer to page HA-5 regarding "Precautions for Refrigerant Connection".

SEC. 271•274•276



GI  
 MA  
 EM  
 LC  
 EC  
 FE  
 CL  
 MT  
 AT  
 AX  
 SU  
 BR  
 ST  
 RS  
 BT  
**HA**  
 SC  
 EL  
 IDX

RHA533H

**CHECKING FOR REFRIGERANT LEAKS**

=NCHA0202

- Perform a visual inspection of all refrigeration parts, fittings, hoses and components for signs of A/C lubricant leakage, damage and corrosion. A/C lubricant leakage may indicate an area of refrigerant leakage. Allow extra inspection time in these areas when using either an electronic refrigerant leak detector or fluorescent dye leak detector.
- If dye is observed, confirm the leak with an electronic refrigerant leak detector. It is possible a prior leak was repaired and not properly cleaned.
- When searching for leaks, do not stop when one leak is found but continue to check for additional leaks at all system components and connections.
- When searching for refrigerant leaks using an electronic leak detector, move the probe along the suspected leak area at 1 to 2 inches per second and no further than 1/4 inch from the component.

**NOTE:**

**Moving the electronic leak detector probe slower and closer to the suspected leak area will improve the chances of finding a leak.**

**CHECKING SYSTEM FOR LEAKS USING THE FLUORESCENT LEAK DETECTOR**

NCHA0203

1. Check A/C system for leaks using the UV lamp and safety glasses (J-42220) in a low sunlight area (area without windows preferable). Illuminate all components, fittings and lines. The dye will appear as a bright green/yellow area at the point of leakage. Fluorescent dye observed at the evaporator drain opening indicates an evaporator core assembly (tubes, core or TXV) leak.
2. If the suspected area is difficult to see, use an adjustable mirror or wipe the area with a clean shop rag or cloth, then check the cloth with the UV lamp for dye residue.
3. After the leak is repaired, remove any residual dye using dye cleaner (J-43872) or prevent future misdiagnosis.
4. Perform a system performance check and verify the leak repair with an approved electronic refrigerant leak detector.

**NOTE:**

- **Other gases in the work area or substances on the A/C components, for example, anti-freeze, windshield washer fluid, solvents and lubricants, may falsely trigger the leak detector. Make sure the surfaces to be checked are clean. Clean with a dry cloth or blow off with shop air.**
- **Do not allow the sensor tip of the detector to contact with any substance. This can also cause false readings and may damage the detector.**

**DYE INJECTION**

NCHA0204

(This procedure is only necessary when re-charging the system or when the compressor has seized and was replaced.)

1. Check A/C system static (at rest) pressure. Pressure must be at least 345 kPa (3.5 kg/cm<sup>2</sup>, 50 psi).
2. Pour one bottle (1/4 ounce/7.4 cc) of the A/C refrigerant dye into the injector tool (J-41459).
3. Connect the injector tool to the A/C LOW PRESSURE side service fitting.
4. Start engine and switch A/C ON.

5. With the A/C operating (compressor running), inject one bottle (1/4 ounce/7.4 cc) of fluorescent dye through the low-pressure service valve using dye injector tool J-41459 (refer to the manufacturer's operating instructions).
6. With the engine still running, disconnect the injector tool from the service fitting.

**CAUTION:**

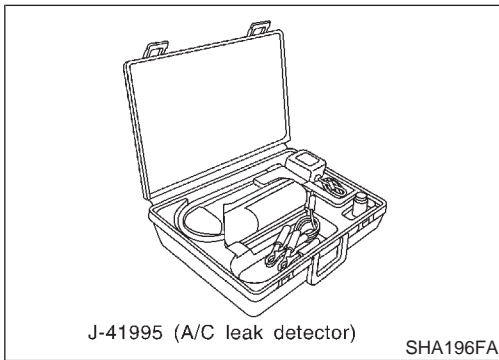
**Be careful not to allow dye to spray or drip when disconnecting the injector from the system.**

**NOTE:**

If repairing the A/C system or replacing a component, pour the dye directly into the open system connection and proceed with the service procedures.

7. Operate the A/C system for a minimum of 20 minutes to mix the dye with the system oil. Depending on the leak size, operating conditions and location of the leak, it may take from minutes to days for the dye to penetrate a leak and become visible.

GI  
MA  
EM  
LC  
EC  
FE  
CL  
MT  
AT  
AX  
SU  
BR  
ST  
RS  
BT  
HA  
SC  
EL  
IDX



**ELECTRONIC REFRIGERANT LEAK DETECTOR**

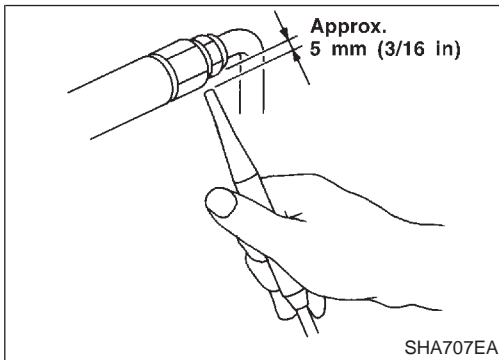
NCHA0205

**Precautions for Handling Leak Detector**

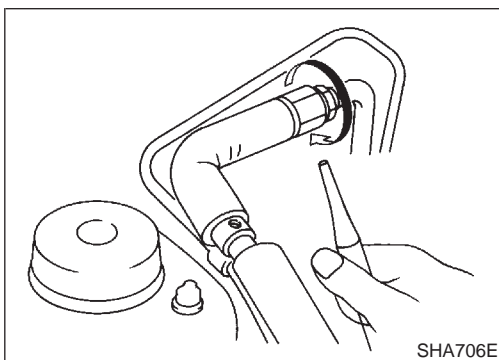
NCHA0205S01

When performing a refrigerant leak check, use a J-41995 A/C leak detector or equivalent. Ensure that the instrument is calibrated and set properly per the operating instructions.

The leak detector is a delicate device. In order to use the leak detector properly, read the operating instructions and perform any specified maintenance.

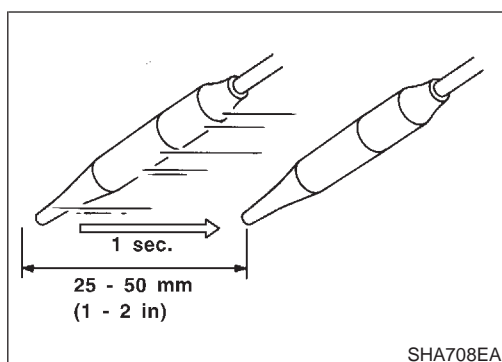


1. Position probe approximately 5 mm (3/16 in) away from point to be checked.



2. When testing, circle each fitting completely with probe.

## Refrigerant Lines (Cont'd)



3. Move probe along component approximately 25 to 50 mm (1 to 2 in)/sec.

### Checking Procedure

NCHA0205S02  
**To prevent inaccurate or false readings, make sure there is no refrigerant vapor, shop chemicals, or cigarette smoke in the vicinity of the vehicle. Perform the leak test in calm area (low air/wind movement) so that the leaking refrigerant is not dispersed.**

1. Turn engine off.
2. Connect a suitable A/C manifold gauge set to the A/C service ports.
3. Check if the A/C refrigerant pressure is at least 345 kPa (3.52 kg/cm<sup>2</sup>, 50 psi) above 16°C (61°F). If less than specification, recover/evacuate and recharge the system with the specified amount of refrigerant.

#### NOTE:

At temperatures below 16°C (61°F), leaks may not be detected since the system may not reach 345 kPa (3.52 kg/cm<sup>2</sup>, 50 psi).

4. Conduct the leak test from the high side (compressor discharge **a** to evaporator inlet **f**) to the low side (evaporator drain hose **g** to shaft seal **k**). Refer to HA-117. Perform a leak check for the following areas carefully. Clean the component to be checked and move the leak detector probe completely around the connection/component.

- **Compressor**  
Check the fitting of high and low pressure hoses, relief valve and shaft seal.
- **Liquid tank**  
Check the pressure switch, tube fitting, weld seams and the fusible plug mount.
- **Service valves**  
Check all around the service valves. Ensure service valve caps are secured on the service valves (to prevent leaks).

#### NOTE:

After removing A/C manifold gauge set from service valves, wipe any residue from valves to prevent any false readings by leak detector.

- **Cooling unit (Evaporator)**  
With engine OFF, turn blower fan on "High" for at least 15 seconds to dissipate any refrigerant trace in the cooling unit. Wait a minimum of 10 minutes accumulation time (refer to the manufacturer's recommended procedure for actual wait time) before inserting the leak detector probe into the drain hose. Keep the probe inserted for at least ten seconds. Use caution not to contaminate the probe tip with water or dirt that may be in the drain hose.

5. If a leak detector detects a leak, verify at least once by blowing compressed air into area of suspected leak, then repeat check as outlined above.
6. Do not stop when one leak is found. Continue to check for additional leaks at all system components. If no leaks are found, perform steps 7 - 10.
7. Start engine.
8. Set the heater A/C control as follows:
  - 1) A/C switch ON.
  - 2) Face mode
  - 3) Recirculation switch ON
  - 4) Max cold temperature
  - 5) Fan speed high
9. Run engine at 1,500 rpm for at least 2 minutes.
10. Turn engine off and perform leak check again following steps 4 through 6 above.

GI

MA

EM

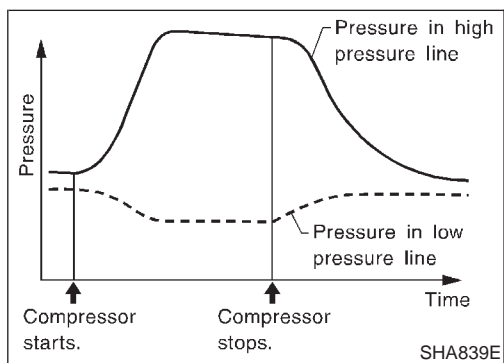
LC

EC

FE

CL

MT



**Refrigerant leaks should be checked immediately after stopping the engine. Begin with the leak detector at the compressor. The pressure on the high pressure side will gradually drop after refrigerant circulation stops and pressure on the low pressure side will gradually rise, as shown in the graph. Some leaks are more easily detected when pressure is high.**

AT

AX

SU

BR

11. Before connecting ACR4 to vehicle, check ACR4 gauges. No refrigerant pressure should be displayed. If pressure is displayed, recover refrigerant from equipment lines and then check refrigerant purity.
12. Confirm refrigerant purity in supply tank using ACR4 and refrigerant identifier.
13. Confirm refrigerant purity in vehicle A/C system using ACR4 and refrigerant identifier.
14. Discharge A/C system using approved refrigerant recovery equipment. Repair the leaking fitting or component as necessary.
15. Evacuate and recharge A/C system and perform the leak test to confirm no refrigerant leaks.
16. Conduct A/C performance test to ensure system works properly.

ST

RS

BT

**HA**

SC

EL

IDX

**Belt**

**TENSION ADJUSTMENT**

- Refer to MA-13, "Checking Drive Belt".

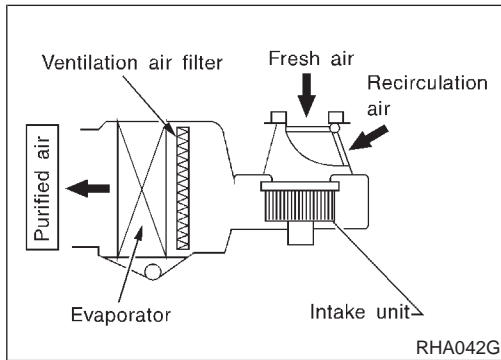
NCHA0079

**Idle Air Control Valve (IACV) — Auxiliary Air Control (AAC) Valve**

**INSPECTION**

- Refer to EC-436, "System Description" and HA-14.

NCHA0189



RHA042G

**Ventilation Air Filter**

**FUNCTION**

Air inside passenger compartment is kept clean at either recirculation or fresh mode by installing ventilation air filter into cooling unit.

NCHA0109

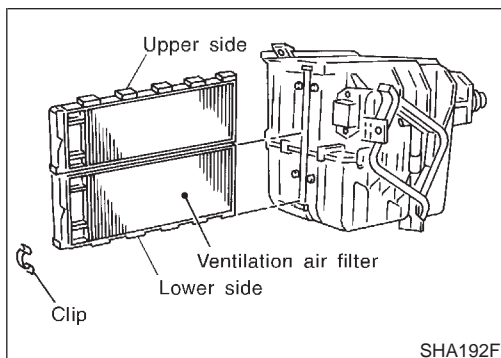
<p>VORKEHRUNGEN FÜR LUFTUNGSFILTER</p> <p>NISSAN</p> <p>• DIESER FAHRZEUG IST EINMÜFTUNGSFILTER AUSGESTATTET WELCHER SCHMUTZ, POLLEN, STAUB etc. SAMMELT.</p> <p>• UN DIE LEISTUNG DER KLIMAAANLAGE, HEIZUNG, LÜFTUNG UND ENTEISUNG DER WINDSCHUTZSCHEIBE ZU GEWÄHRLEISTEN, TAUSCHEN SIE DEN FILTER REGELMÄSSIG.</p> <p>• SUCHEN SIE ZWICKS FILTERAUSTAUSCHEN IHRE VERTRAGSWERKSTÄTT AUF.</p> <p>(AUSTAUSCH DES FILTERS JEDE ALLE 30.000 KM ODER 1 JAHR.)</p> <p>PRECAUTIONS D'UTILISATION DU FILTER ANTI-POLLEN</p> <p>• CE VEHICULE EST EQUIPE D'UN FILTER ANTI-POLLEN POUR LES POUSSIERES, LES ETES, LE POLLEN, etc.</p> <p>• AFIN D'ASSURER LE BON FONCTIONNEMENT DU CLIMATISSEMENT D'AIR DU CHAUFFAGE, DU DESECHAGE ET DE LA VENTILATION, REMPLACEZ CE FILTER REGULIEREMENT.</p> <p>• CONTACTEZ VOTRE CONCESSIONNAIRE POUR TOUT REMPLACEMENT.</p> <p>(REPLACEZ LE FILTER TOUS LES 30.000 KM OUI 1 AN.)</p> <p>PRECAUTION FOR VENTILATION AIR FILTER.</p> <p>• THIS VEHICLE IS EQUIPPED WITH A VENTILATION AIR FILTER WHICH COLLECTS DIRT, POLLEN, DUST etc.</p> <p>• TO ENSURE A/C HEATING, DEFROSTING, AND VENTILATION PERFORMANCE, PLEASE REPLACE THE FILTER REGULARLY.</p> <p>• CONTACT YOUR DEALER FOR PART REPLACEMENT.</p> <p>(REPLACE THE PART EVERY 30,000 KM OR 1 YEAR.)</p>
--

SHA868E

**REPLACEMENT TIMING**

Replace ventilation air filter.  
Refer to MA-6, "PERIODIC MAINTENANCE".  
Caution label is fixed inside the glove box.

NCHA0110



SHA192F

**REPLACEMENT PROCEDURES**

- Remove glove box.
- Remove instrument reinforcement from instrument panel.
- Remove ventilation air filter fixed clip.
- Take out the lower side ventilation air filter from cooling unit.
- Then slide upper side filter to the bottom position and take off the ventilation air filter from the cooling unit.
- Replace with new one and reinstall on cooling unit.
- Reinstall instrument reinforcement, glove box and undercover.

NCHA0111



## Auto

### COMPRESSOR

*NCHA0081*

Model	ZEXEL make DKV-14G
Type	Vane rotary
Displacement   cm <sup>3</sup> (cu in)/rev.	140 (8.54)
Direction of rotation	Clockwise (viewed from drive end)
Drive belt	Poly V

GI

MA

EM

### LUBRICANT

*NCHA0082*

Model	ZEXEL make DKV-14G	
Name	Nissan A/C System Oil Type R	
Part number	KLH00-PAGR0	
Capacity ml (US fl oz, Imp fl oz)	Total in system	180 (6.1, 6.3)
	Compressor (Service part) charging amount	180 (6.1, 6.3)

LG

EC

FE

CL

### REFRIGERANT

*NCHA0083*

Type	HFC-134a (R-134a)
Capacity   kg (lb)	0.55 - 0.65 (1.21 - 1.43)

MT

AT

### ENGINE IDLING SPEED (WHEN A/C IS ON)

*NCHA0084*

- Refer to EC-632, "Idle Speed and Ignition Timing".

AX

### BELT TENSION

*NCHA0085*

- Refer to MA-13, "Checking Drive Belts".

SU

BR

ST

RS

BT

**HA**

SC

EL

IDX

## Supplemental Restraint System (SRS) "AIR BAG" and "SEAT BELT PRE-TENSIONER"

NCHA0190

The Supplemental Restraint System such as "AIR BAG" and "SEAT BELT PRE-TENSIONER" used along with a seat belt, helps to reduce the risk or severity of injury to the driver and front passenger for certain types of collision. The SRS system composition which is available to INFINITI G20 is as follows:

- For a frontal collision  
The Supplemental Restraint System consists of driver air bag module (located in the center of the steering wheel), front passenger air bag module (located on the instrument panel on passenger side), seat belt pre-tensioners, a diagnosis sensor unit, warning lamp, wiring harness and spiral cable.
- For a side collision  
The Supplemental Restraint System consists of side air bag module (located in the outer side of front seat), satellite sensor, diagnosis sensor unit (one of components of air bags for a frontal collision), wiring harness, warning lamp (one of components of air bags for a frontal collision).

Information necessary to service the system safely is included in the **RS** section of this Service Manual.

### WARNING:

- To avoid rendering the SRS inoperative, which could increase the risk of personal injury or death in the event of a collision which would result in air bag inflation, all maintenance must be performed by an authorized INFINITI dealer.
- Improper maintenance, including incorrect removal and installation of the SRS, can lead to personal injury caused by unintentional activation of the system. For removal of Spiral Cable and Air Bag Module, see the RS section.
- Do not use electrical test equipment on any circuit related to the SRS unless instructed to in this Service Manual. Spiral cable and wiring harnesses (except "SEAT BELT PRE-TENSIONER") covered with yellow insulation tape either just before the harness connectors or for the complete harness are related to the SRS.

## Precautions for Working with HFC-134a (R-134a)

NCHA0113

### WARNING:

- CFC-12 (R-12) refrigerant and HFC-134a (R-134a) refrigerant are not compatible. If the refrigerants are mixed and compressor failure is likely to occur, refer to "CONTAMINATED REFRIGERANT" below. To determine the purity of HFC-134a (R-134a) in the vehicle and recovery tank, use Refrigerant Recovery/Recycling Recharging equipment (ACR4) (J-39500-INF) and Refrigerant Identifier.
- Use only specified lubricant for the HFC-134a (R-134a) A/C system and HFC-134a (R-134a) components. If lubricant other than that specified is used, compressor failure is likely to occur.
- The specified HFC-134a (R-134a) lubricant rapidly absorbs moisture from the atmosphere. The following handling precautions must be observed:
  - a) When removing refrigerant components from a vehicle, immediately cap (seal) the component to minimize the entry of moisture from the atmosphere.
  - b) When installing refrigerant components to a vehicle, do not remove the caps (unseal) until just before connecting the components. Connect all refrigerant loop components as quickly as possible to minimize the entry of moisture into system.
  - c) Only use the specified lubricant from a sealed container. Immediately reseal containers of lubricant. Without proper sealing, lubricant will become moisture saturated and should not be used.
  - d) Avoid breathing A/C refrigerant and lubricant vapor or mist. Exposure may irritate eyes, nose and throat. Remove R-134a from the A/C system, using certified service equipment meeting requirements of SAE J2210 (R-134a recycling equipment), or J2209 (R-134a recovery equipment). If accidental system discharge occurs, ventilate work area before resuming service. Additional health and safety information may be obtained from refrigerant and lubricant manufacturers.
  - e) Do not allow lubricant (Nissan A/C System Oil Type S) to come in contact with styrofoam parts. Damage may result.

## CONTAMINATED REFRIGERANT

NCHA0113S01

If a refrigerant other than pure R-134a is identified in a vehicle, your options are:

- Explain to the customer that environmental regulations prohibit the release of contaminated refrigerant into the atmosphere.

- Explain that recovery of the contaminated refrigerant could damage your service equipment and refrigerant supply.
- Suggest the customer return the vehicle to the location of previous service where the contamination may have occurred.
- If you choose to perform the repair, recover the refrigerant using only **dedicated equipment and containers. Do not recover contaminated refrigerant into your existing service equipment.** If your facility does not have dedicated recovery equipment, you may contact a local refrigerant product retailer for available service. This refrigerant must be disposed of in accordance with all federal and local regulations. In addition, replacement of all refrigerant system components on the vehicle is recommended.
- If the vehicle is within the warranty period, the air conditioner warranty is void. Please contact Nissan Customer Affairs for further assistance.

GI

MA

EM

LC

## General Refrigerant Precautions

NCHA0114

### WARNING:

- **Do not release refrigerant into the air. Use approved recovery/recycling equipment to capture the refrigerant every time an air conditioning system is discharged.**
- **Always wear eye and hand protection (goggles and gloves) when working with any refrigerant or air conditioning system.**
- **Do not store or heat refrigerant containers above 52°C (125°F).**
- **Do not heat a refrigerant container with an open flame; if container warming is required, place the bottom of the container in a warm pail of water.**
- **Do not intentionally drop, puncture, or incinerate refrigerant containers.**
- **Keep refrigerant away from open flames: poisonous gas will be produced if refrigerant burns.**
- **Refrigerant will displace oxygen, therefore be certain to work in well ventilated areas to prevent suffocation.**
- **Do not pressure test or leak test HFC-134a (R-134a) service equipment and/or vehicle air conditioning systems with compressed air during repair. Some mixtures of air and R-134a have been shown to be combustible at elevated pressures. These mixtures, if ignited, may cause injury or property damage. Additional health and safety information may be obtained from refrigerant manufacturers.**

EC

FE

CL

MT

AT

AX

SU

## Precautions for Leak Detection Dye

NCHA0206

- The A/C system contains a fluorescent leak detection dye used for locating refrigerant leaks. An ultraviolet (UV) lamp is required to illuminate the dye when inspecting for leaks.
- Always wear fluorescence enhancing UV safety glasses to protect your eyes and enhance the visibility of the fluorescent dye.
- The fluorescent dye leak detector is not a replacement for an electronic refrigerant leak detector. The fluorescent dye leak detector should be used in conjunction with an electronic refrigerant leak detector (J-41995) to pin-point refrigerant leaks.
- For your safety and your Customer's satisfaction, read and follow all manufacturer's operating instructions and precautions prior to performing the work.
- A compressor shaft seal should not be repaired because of dye seepage. The compressor shaft seal should only be repaired after confirming the leak with an electronic refrigerant leak detector (J-41995).
- Always remove any dye from the leak area after repairs are complete to avoid a misdiagnosis during a future service.
- Do not allow dye to come into contact with painted body panels or interior components. If dye is spilled, clean immediately with the approved dye cleaner. Fluorescent dye left on a surface for an extended period of time cannot be removed.
- Do not spray the fluorescent dye cleaning agent on hot surfaces (engine exhaust manifold, etc.).
- Do not use more than one refrigerant dye bottle (1/4 ounce /7.4 cc) per A/C system.
- Leak detection dyes for R-134a and R12 A/C systems are different. Do not use R-134a leak detection dye in R-12 A/C system or R-12 leak detection dye in R-134a A/C systems or A/C system damage may result.
- The fluorescent properties of the dye will remain for over three (3) years unless a compressor failure occurs.

BR

ST

RS

BT

HA

SC

EL

IDX

Identification

AIR CONDITIONER NISSAN		
REFRIGERANT	COMPRESSOR LUBRICANT	
TYPE (PART NO.)	HFC134a (R134a)	Nissan UV Luminous Oil Type S [KLHOO-PAGSO]
AMOUNT		
<p><b>CAUTION PRECAUTION</b></p> <ul style="list-style-type: none"> <li>REFRIGERANT UNDER HIGH PRESSURE.</li> <li>SYSTEM TO BE SERVICED BY QUALIFIED PERSONNEL.</li> <li>IMPROPER SERVICE METHODS MAY CAUSE PERSONAL INJURY.</li> <li>CONSULT SERVICE MANUAL.</li> <li>THIS AIR CONDITIONER SYSTEM COMPLIES WITH SAE J-639.</li> </ul> <p>Nissan Motor Co., Ltd., TOKYO, Japan 27090 6P102</p>		
SHA452F		

Identification

IDENTIFICATION LABEL FOR VEHICLE

NCHA0207

NCHA0207S01

Vehicles with factory installed fluorescent dye have this identification label on the under side of hood.

**NOTE:**

Vehicles with factory installed fluorescent dye have a green label. Vehicles without factory installed fluorescent dye have a blue label.

Precautions for Refrigerant Connection

NCHA0115

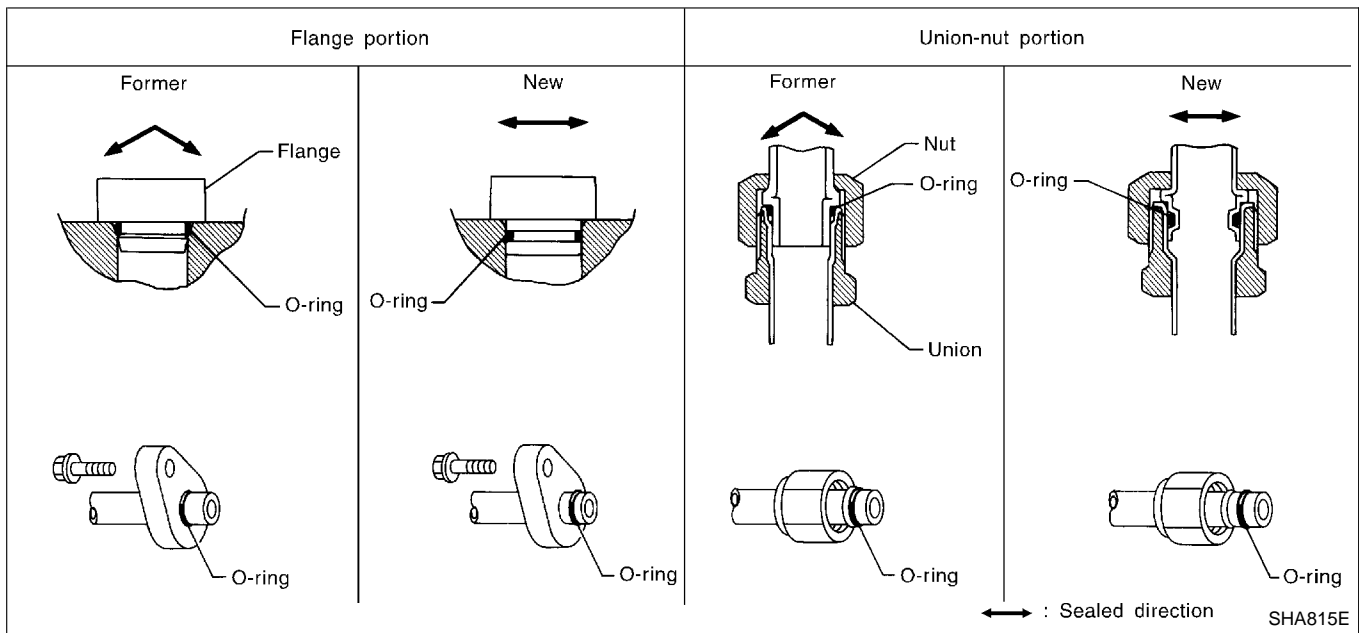
A new type refrigerant connection has been introduced to all refrigerant lines except the following portion.

- Expansion valve to cooling unit

FEATURES OF NEW TYPE REFRIGERANT CONNECTION

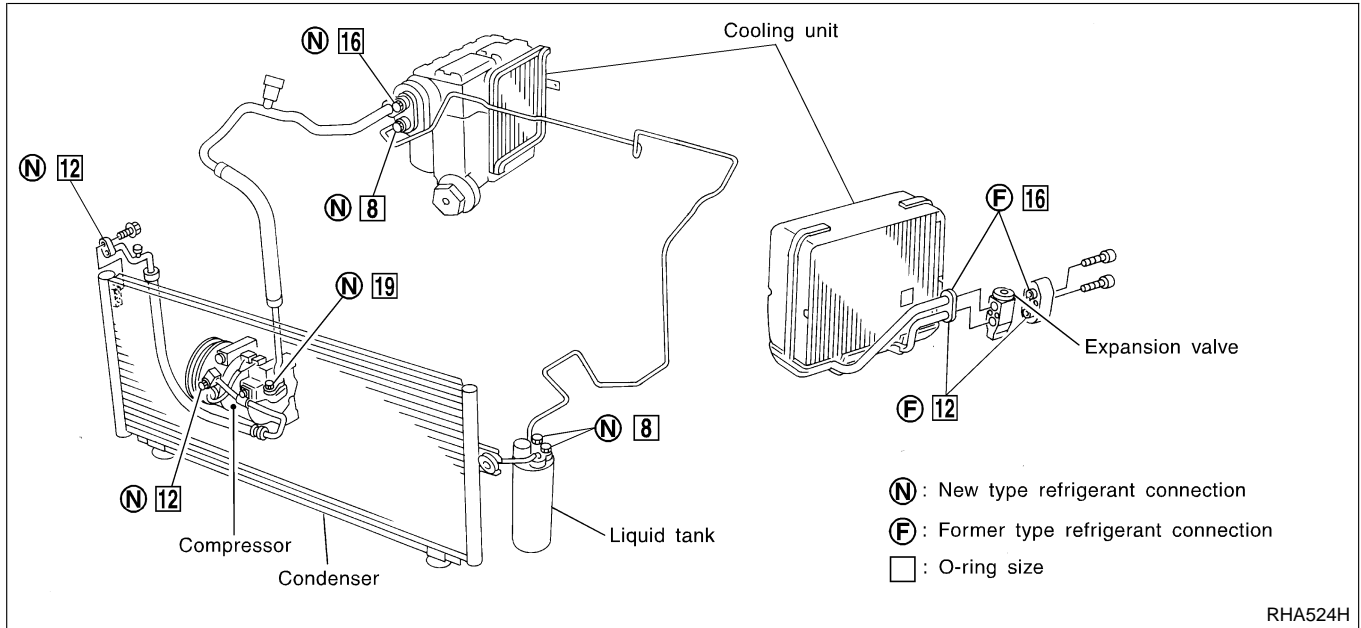
NCHA0115S01

- The O-ring has been relocated. It has also been provided with a groove for proper installation. This eliminates the chance of the O-ring being caught in, or damaged by, the mating part. The sealing direction of the O-ring is now set vertically in relation to the contacting surface of the mating part to improve sealing characteristics.
- The reaction force of the O-ring will not occur in the direction that causes the joint to pull out, thereby facilitating piping connections.



O-RING AND REFRIGERANT CONNECTION

NCHA0115S02



RHA524H

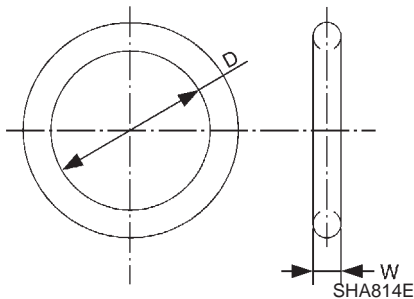
**CAUTION:**

The new and former refrigerant connections in some systems use different O-ring configurations. Do not confuse O-rings since they are not interchangeable. If a wrong O-ring is installed, refrigerant will leak at, or around, the connection.

O-Ring Part Numbers and Specifications

NCHA0115S0201

Connection type	O-ring size	Part number	Dimensions	
			D mm (in)	W mm (in)
New	8	92471 N8210	6.8 (0.268)	1.85 (0.0728)
New	12	92472 N8210	10.9 (0.429)	2.43 (0.0957)
Former		92475 71L00	11.0 (0.433)	2.40 (0.0945)
New	16	92473 N8210	13.6 (0.535)	2.43 (0.0957)
Former		92475 72L00	14.3 (0.563)	2.30 (0.0906)
New	19	92474 N8210	16.5 (0.650)	2.43 (0.0957)



**WARNING:**

Make sure all refrigerant is discharged into the recycling equipment and the pressure in the system is less than atmospheric pressure. Then gradually loosen the discharge side hose fitting and remove it.

**CAUTION:**

When replacing or cleaning refrigerant cycle components, observe the following.

- When the compressor is removed, store it in the same position as it is when mounted on the car. Failure to do so will cause lubricant to enter the low pressure chamber.
- When connecting tubes, always use a torque wrench and a back-up wrench.
- After disconnecting tubes, immediately plug all openings to prevent entry of dirt and moisture.
- When installing an air conditioner in the vehicle, connect the pipes as the final stage of the operation. Do not remove the seal caps of pipes and other components until just before required for connection.
- Allow components stored in cool areas to warm to working area temperature before removing seal caps. This prevents condensation from forming inside A/C components.
- Thoroughly remove moisture from the refrigeration system before charging the refrigerant.
- Always replace used O-rings.
- When connecting tube, apply lubricant to circle of the O-rings shown in illustration. Be careful not

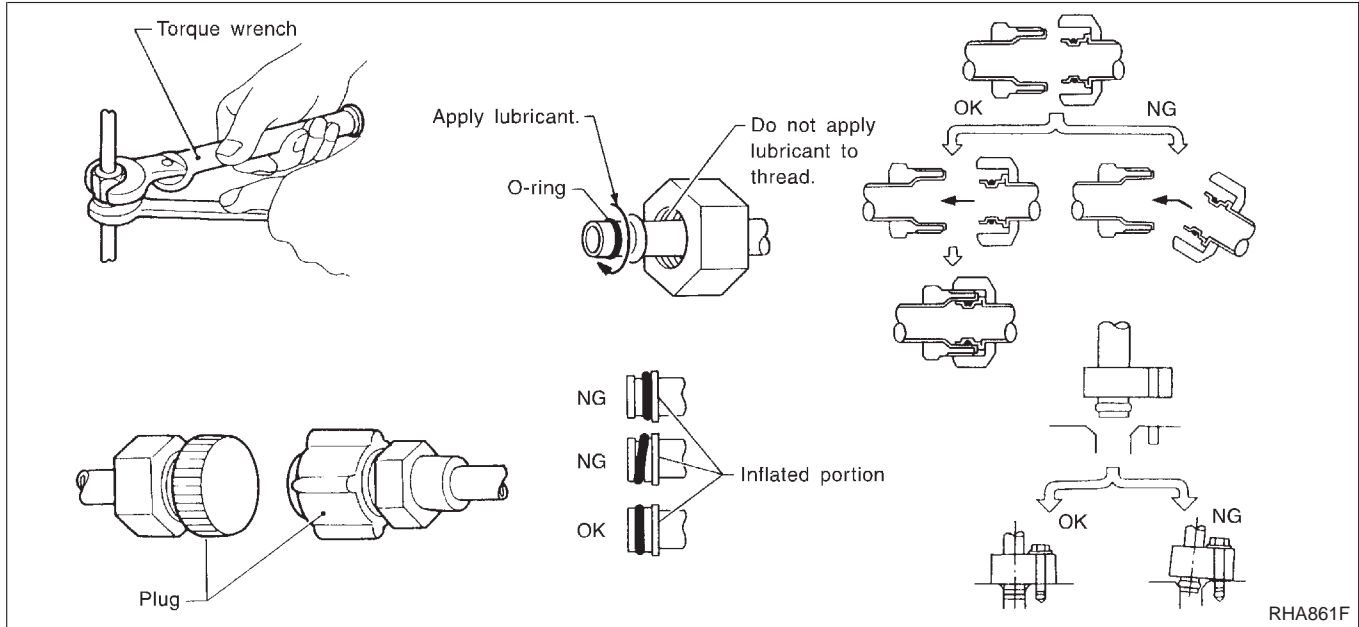
Precautions for Refrigerant Connection (Cont'd)

to apply lubricant to threaded portion.

Lubricant name: Nissan A/C System Oil Type R

Part number: KLH00-PAGR0

- O-ring must be closely attached to dented portion of tube.
- When replacing the O-ring, be careful not to damage O-ring and tube.
- Connect tube until you hear it click, then tighten the nut or bolt by hand until snug. Make sure that the O-ring is installed to tube correctly.
- After connecting line, conduct leak test and make sure that there is no leakage from connections. When the gas leaking point is found, disconnect that line and replace the O-ring. Then tighten connections of seal seat to the specified torque.



Precautions for Servicing Compressor

NCHA0116

- Plug all openings to prevent moisture and foreign matter from entering.
- When the compressor is removed, store it in the same position as it is when mounted on the car.
- When replacing or repairing compressor, follow “Maintenance of Lubricant Quantity in Compressor” exactly. Refer to HA-193.
- Keep friction surfaces between clutch and pulley clean. If the surface is contaminated, with lubricant, wipe it off by using a clean waste cloth moistened with thinner.
- After compressor service operation, turn the compressor shaft by hand more than five turns in both directions. This will equally distribute lubricant inside the compressor. After the compressor is installed, let the engine idle and operate the compressor for one hour.
- After replacing the compressor magnet clutch, apply voltage to the new one and check for normal operation.

Precautions for Service Equipment  
RECOVERY/RECYCLING EQUIPMENT

NCHA0117

NCHA0117S01

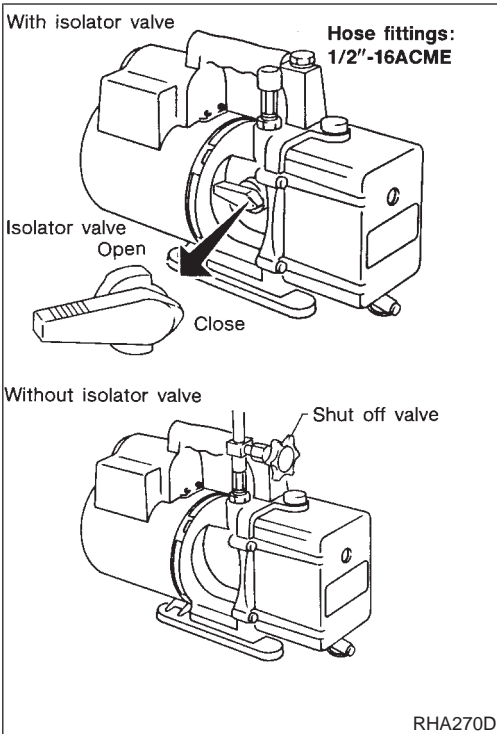
Follow the manufacturer’s instructions for machine operation and machine maintenance. Never introduce any refrigerant other than that specified into the machine.

ELECTRONIC LEAK DETECTOR

NCHA0117S02

Follow the manufacture’s instructions for tester operation and tester maintenance.





**VACUUM PUMP**

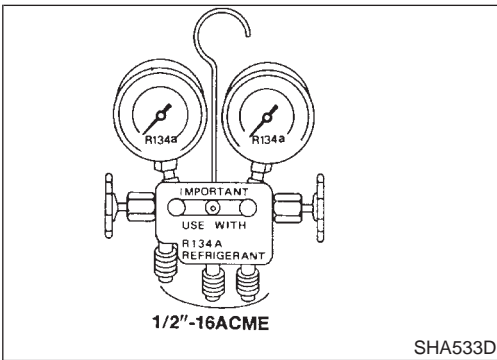
NCHA0117S03

The lubricant contained inside the vacuum pump is not compatible with the specified lubricant for HFC-134a (R-134a) A/C systems. The vent side of the vacuum pump is exposed to atmospheric pressure. So the vacuum pump lubricant may migrate out of the pump into the service hose. This is possible when the pump is switched off after evacuation (vacuuming) and hose is connected to it.

To prevent this migration, use a manual valve situated near the hose-to-pump connection, as follows.

- Usually vacuum pumps have a manual isolator valve as part of the pump. Close this valve to isolate the service hose from the pump.
- For pumps without an isolator, use a hose equipped with a manual shut-off valve near the pump end. Close the valve to isolate the hose from the pump.
- If the hose has an automatic shut off valve, disconnect the hose from the pump: as long as the hose is connected, the valve is open and lubricating oil may migrate.

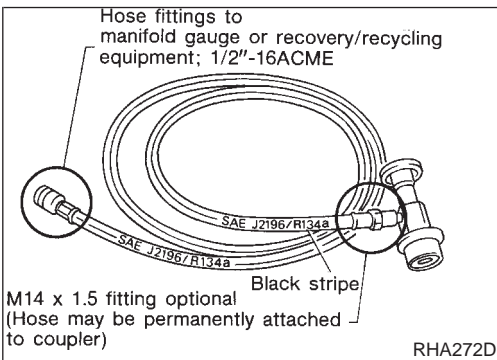
Some one-way valves open when vacuum is applied and close under a no vacuum condition. Such valves may restrict the pump's ability to pull a deep vacuum and are not recommended.



**MANIFOLD GAUGE SET**

NCHA0117S04

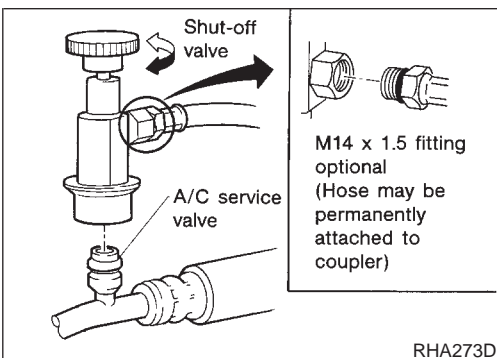
Be certain that the gauge face indicates R-134a or 134a. Make sure the gauge set has 1/2"-16 ACME threaded connections for service hoses. Confirm the set has been used only with refrigerant HFC-134a (R-134a) along with specified lubricant.



**SERVICE HOSES**

NCHA0117S05

Be certain that the service hoses display the markings described (colored hose with black stripe). All hoses must include positive shut off devices (either manual or automatic) near the end of the hoses opposite the manifold gauge.



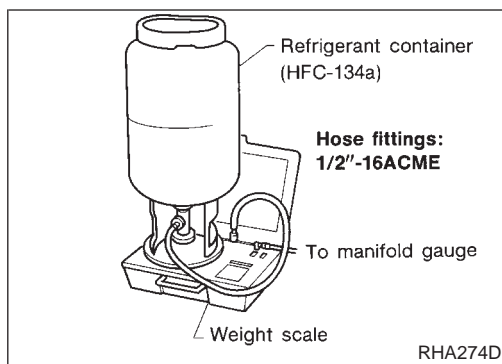
**SERVICE COUPLERS**

NCHA0117S06

Never attempt to connect HFC-134a (R-134a) service couplers to an CFC-12 (R-12) A/C system. The HFC-134a (R-134a) couplers will not properly connect to the CFC-12 (R-12) system. However, if an improper connection is attempted, discharging and contamination may occur.

Shut-off valve rotation	A/C service valve
Clockwise	Open
Counterclockwise	Close

GI  
MA  
EM  
LC  
EC  
FE  
CL  
MT  
AT  
AX  
SU  
BR  
ST  
RS  
BT  
HA  
SC  
EL  
IDX



### REFRIGERANT WEIGHT SCALE

NCHA0117S07

Verify that no refrigerant other than HFC-134a (R-134a) and specified lubricants have been used with the scale. If the scale controls refrigerant flow electronically, the hose fitting must be 1/2"-16 ACME.

### CALIBRATING ACR4 WEIGHT SCALE

NCHA0117S09

Calibrate the scale every three months.

To calibrate the weight scale on the ACR4 (J-39500-INF):

1. Press **Shift/Reset** and **Enter** at the same time.
2. Press **8787**. "A1" will be displayed.
3. Remove all weight from the scale.
4. Press **0**, then press **Enter**. "0.00" will be displayed and change to "A2".
5. Place a known weight (dumbbell or similar weight), between 4.5 and 36.3 kg (10 and 80 lb) on the center of the weight scale.
6. Enter the known weight using four digits. (Example 10 lb = 10.00, 10.5 lb = 10.50)
7. Press **Enter** — the display returns to the vacuum mode.
8. Press **Shift/Reset** and **Enter** at the same time.
9. Press **6** — the known weight on the scale is displayed.
10. Remove the known weight from the scale. "0.00" will be displayed.
11. Press **Shift/Reset** to return the ACR4 to the program mode.

### CHARGING CYLINDER

NCHA0117S08

Using a charging cylinder is not recommended. Refrigerant may be vented into air from cylinder's top valve when filling the cylinder with refrigerant. Also, the accuracy of the cylinder is generally less than that of an electronic scale or of quality recycle/recharge equipment.

### Wiring Diagrams and Trouble Diagnosis

NCHA0118

When you read wiring diagrams, refer to the following:

- GI-11, "HOW TO READ WIRING DIAGRAMS"
- EL-10, "Wiring Diagram — POWER —"

When you perform trouble diagnosis, refer to the following:

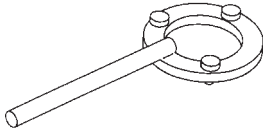
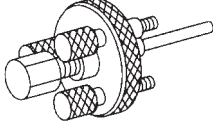
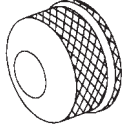
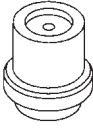
- GI-34, "HOW TO FOLLOW TEST GROUPS IN TROUBLE DIAGNOSES"
- GI-24, "HOW TO PERFORM EFFICIENT DIAGNOSIS FOR AN ELECTRICAL INCIDENT"



**Special Service Tools**

NCHA0119

The actual shapes of Kent-Moore tools may differ from those of special service tools illustrated here.

Tool number (Kent-Moore No.) Tool name	Description	
KV99231260 (J-38874) Clutch disc wrench	 <p>NT204</p>	GI MA EM LC
KV99232340 (J-38874) Clutch disc puller	 <p>NT206</p>	EC FE
KV99234330 (J-39024) Pulley installer	 <p>NT207</p>	CL MT
KV99233130 (J-39023) Pulley puller	 <p>NT208</p>	AT AX

SU

BR

ST

RS

BT

**HA**

SC

EL

IDX

**HFC-134a (R-134a) Service Tools and Equipment**

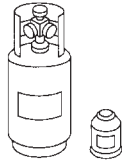

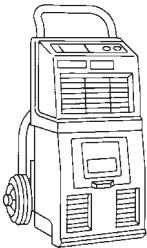
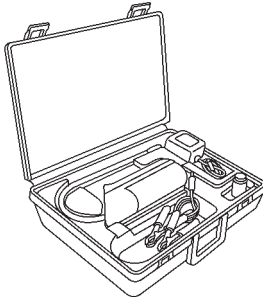
=NCHA0120

Never mix HFC-134a refrigerant and/or its specified lubricant with CFC-12 (R-12) refrigerant and/or its lubricant.

Separate and non-interchangeable service equipment must be used for handling each type of refrigerant/lubricant.

Refrigerant container fittings, service hose fittings and service equipment fittings (equipment which handles refrigerant and/or lubricant) are different between CFC-12 (R-12) and HFC-134a (R-134a). This is to avoid mixed use of the refrigerants/lubricant.

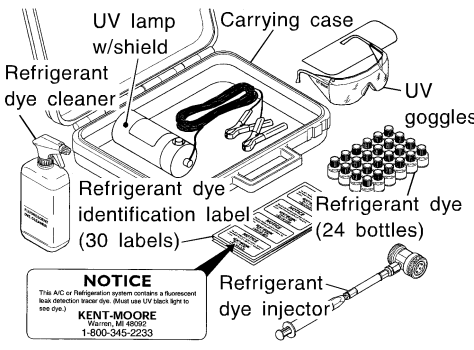
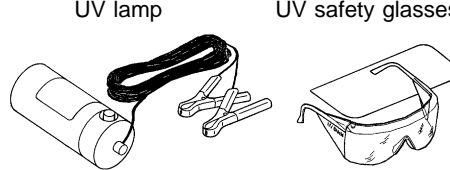
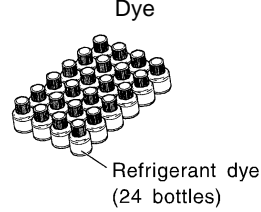
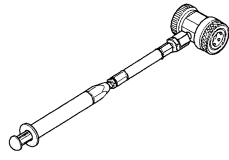

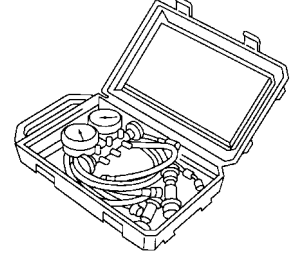
Adapters that convert one size fitting to another must never be used: refrigerant/lubricant contamination will occur and compressor failure will result.

Tool number (Kent-Moore No.) Tool name	Description
HFC-134a (R-134a) refrigerant	<div style="display: flex; align-items: center;">  <div style="margin-left: 20px;"> <p>Container color: Light blue                      Container marking: HFC-134a (R-134a)                      Fitting size: Thread size</p> <ul style="list-style-type: none"> <li>● Large container 1/2"-16 ACME</li> </ul> </div> </div> <p style="text-align: left; margin-top: 10px;">NT196</p>
KLH00-PAGR0 ( — ) Nissan A/C System Oil Type R	<div style="display: flex; align-items: center;">  <div style="margin-left: 20px;"> <p>Type: Poly alkylene glycol oil (PAG), type R                      Application: HFC-134a (R-134a) vane rotary compressors (Nissan only)                      Lubricity: 40 ml (1.4 US fl oz, 1.4 Imp fl oz)</p> </div> </div> <p style="text-align: left; margin-top: 10px;">NT197</p>
(J-39500-INF) Recovery/Recycling Recharging equipment (ACR4)	<div style="display: flex; align-items: center;">  <div style="margin-left: 20px;"> <p>Function: Refrigerant Recovery and Recycling and Recharging</p> </div> </div> <p style="text-align: left; margin-top: 10px;">NT195</p>
(J-41995) Electrical leak detector	<div style="display: flex; align-items: center;">  <div style="margin-left: 20px;"> <p>Power supply:</p> <ul style="list-style-type: none"> <li>● DC 12V (Cigarette lighter)</li> </ul> </div> </div> <p style="text-align: left; margin-top: 10px;">AHA281A</p>

# PREPARATION

**MANUAL**

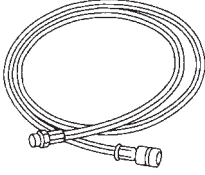
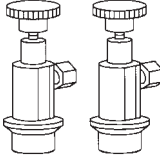
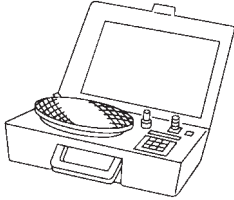
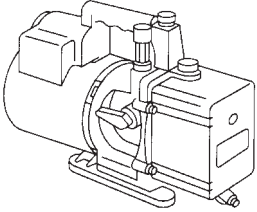
HFC-134a (R-134a) Service Tools and Equipment (Cont'd)

Tool number (Kent-Moore No.) Tool name	Description		
(J-43926) Refrigerant dye leak detection kit Kit includes: (J-42220) UV lamp and UV safety glasses (J-41459) Refrigerant dye injector (J-41447) qty. 24 R-134a refrigerant dye (J-43872) Refrigerant dye cleaner	 <p>UV lamp w/shield Carrying case Refrigerant dye cleaner UV goggles Refrigerant dye identification label (30 labels) Refrigerant dye (24 bottles) Refrigerant dye injector</p> <p><b>NOTICE</b> This A/C or Refrigeration system contains a fluorescent leak detector tracer dye. Must use UV black light to see dye. <b>KENT-MOORE</b> Warranted for 1 year 1-800-345-2233</p>	Power supply: DC 12V (Battery terminal)	GI MA EM LC EC
(J-42220) Fluorescent dye leak detector	 <p>UV lamp UV safety glasses</p>	Power supply: DC12V (Battery terminal) For checking refrigerant leak when fluorescent dye is installed in A/C system. Includes: UV lamp and UV safety glasses	FE CL MT
(J-41447) R134a Fluorescent Leak Detection Dye (Box of 24, 1/4 ounce bottles)	 <p>Dye Refrigerant dye (24 bottles)</p>	Application: For R-134a PAG oil Container: 1/4 ounce (7.4 cc) bottle (Includes self-adhesive dye identification labels for affixing to vehicle after charging system with dye.)	AT AX SU
(J-41459) R134a Dye Injector Use with J-41447, 1/4 ounce bottle	 <p>Dye injector</p>	For injecting 1/4 ounce of Fluorescent Leak Detection Dye into A/C system.	BR ST RS
(J-43872) Dye cleaner		For cleaning dye spills.	HA
(J-39183) Manifold gauge set (with hoses and couplers)		Identification: ● The gauge face indicates R-134a. Fitting size: Thread size ● 1/2"-16 ACME	SC EL IDX

# PREPARATION

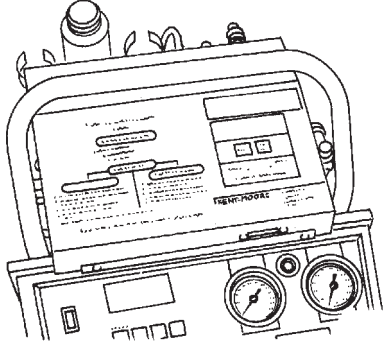
**MANUAL**

## HFC-134a (R-134a) Service Tools and Equipment (Cont'd)

Tool number (Kent-Moore No.) Tool name	Description	
Service hoses <ul style="list-style-type: none"> <li>● High side hose (J-39501-72)</li> <li>● Low side hose (J-39502-72)</li> <li>● Utility hose (J-39476-72)</li> </ul>		Hose color: <ul style="list-style-type: none"> <li>● Low hose: Blue with black stripe</li> <li>● High hose: Red with black stripe</li> <li>● Utility hose: Yellow with black stripe or green with black stripe</li> </ul> Hose fitting to gauge: <ul style="list-style-type: none"> <li>● 1/2"-16 ACME</li> </ul>
Service couplers <ul style="list-style-type: none"> <li>● High side coupler (J-39500-20)</li> <li>● Low side coupler (J-39500-24)</li> </ul>		Hose fitting to service hose: <ul style="list-style-type: none"> <li>● M14 x 1.5 fitting is optional or permanently attached.</li> </ul>
(J-39650) Refrigerant weight scale		For measuring of refrigerant Fitting size: Thread size <ul style="list-style-type: none"> <li>● 1/2"-16 ACME</li> </ul>
(J-39649) Vacuum pump (Including the isolator valve)		Capacity: <ul style="list-style-type: none"> <li>● Air displacement: 4 CFM</li> <li>● Micron rating: 20 microns</li> <li>● Oil capacity: 482 g (17 oz)</li> </ul> Fitting size: Thread size <ul style="list-style-type: none"> <li>● 1/2"-16 ACME</li> </ul>

## COMMERCIAL SERVICE TOOL

NCHA0120S01

Tool name	Description	
Refrigerant identifier equipment		For checks refrigerant purity and for system contamination

## Refrigeration System

## REFRIGERATION CYCLE

## Refrigerant Flow

The refrigerant flows in the standard pattern, that is, through the compressor, the condenser, the liquid tank, through the evaporator, and back to the compressor. The refrigerant evaporation through the evaporator coil is controlled by an externally equalized expansion valve, located inside the evaporator case.

## Freeze Protection

The compressor cycles go on and off to maintain the evaporator temperature within a specified range. When the evaporator coil temperature falls below a specified point, the thermo control amplifier interrupts the compressor operation. When the evaporator coil temperature rises above the specification, the thermo control amplifier allows compressor operation.

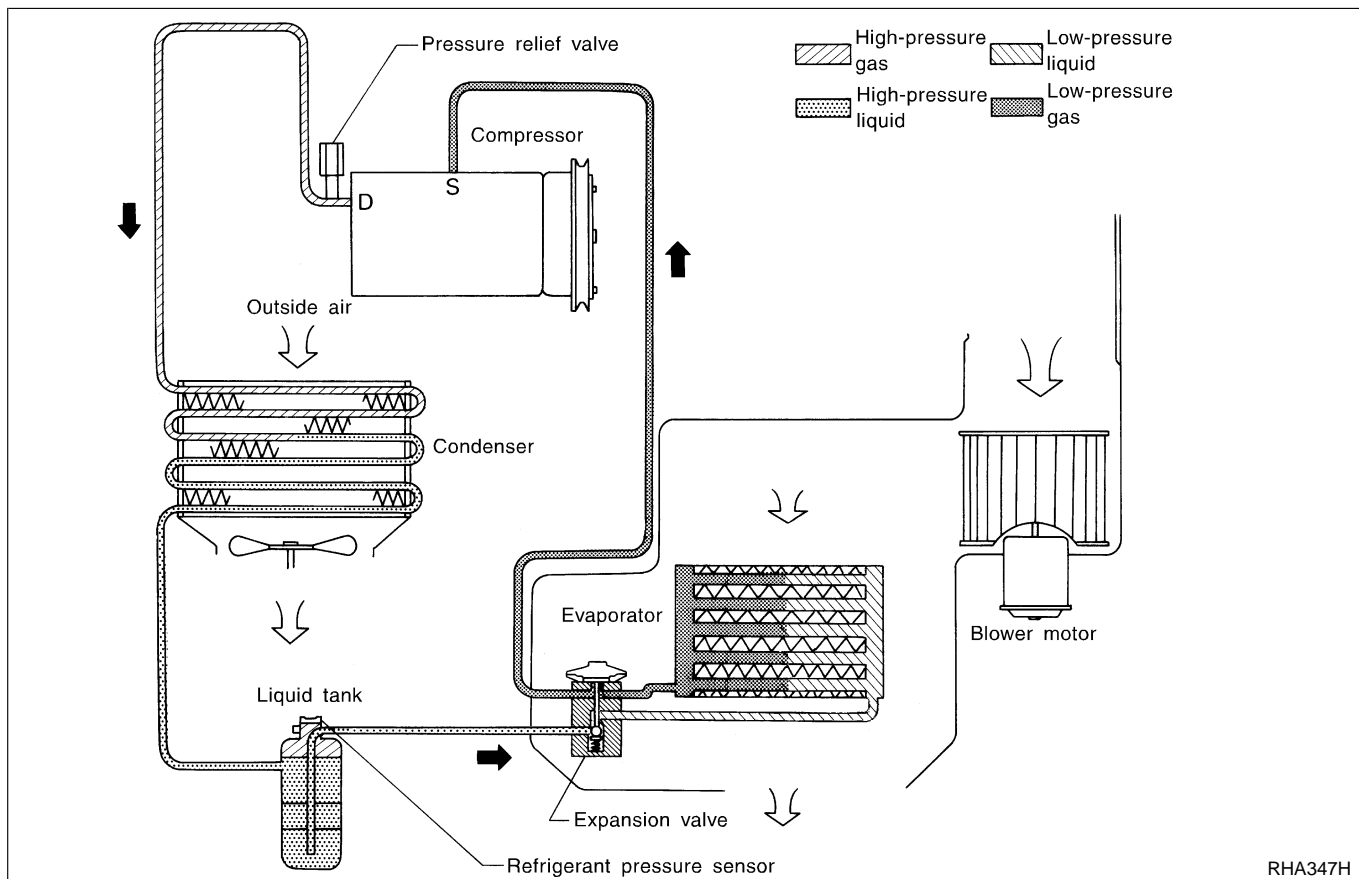
## Refrigerant System Protection

## Refrigerant Pressure Sensor

The refrigerant system is protected against excessively high or low pressures by the refrigerant pressure sensor, located on the liquid tank. If the system pressure rises above, or falls below the specifications, the refrigerant pressure sensor detects the pressure inside the refrigerant line and sends the voltage signal to the ECM. ECM makes the A/C relay go OFF and stops the compressor when pressure on the high pressure side detected by refrigerant pressure sensor is over about 2,746 kPa (28 kg/cm<sup>2</sup>, 398 psi) or below about 177 kPa (1.8 kg/cm<sup>2</sup>, 26 psi).

## Pressure Relief Valve

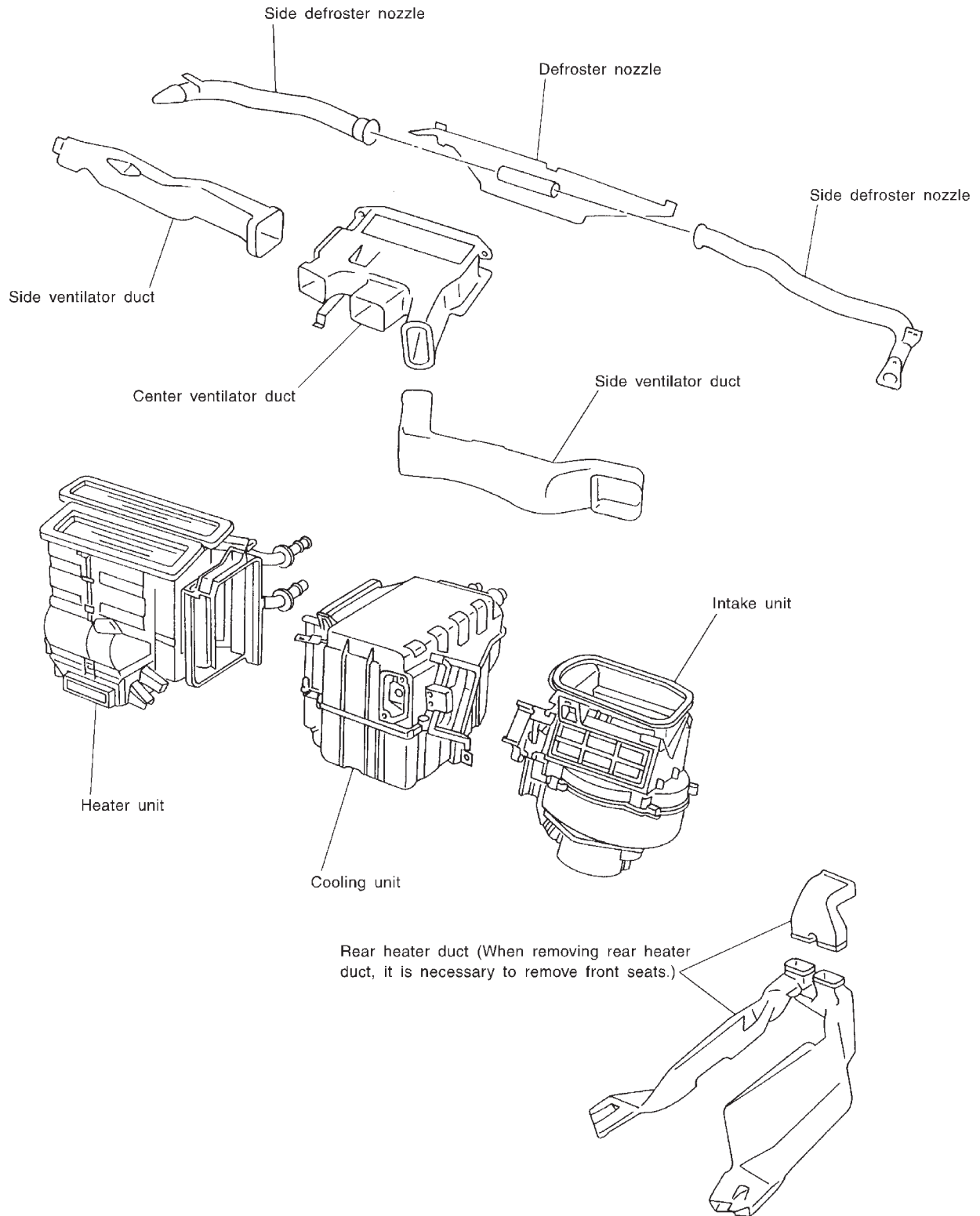
The refrigerant system is also protected by a pressure relief valve, located in the rear head of the compressor. When the pressure of refrigerant in the system increases to an abnormal level [more than 3,727 kPa (38 kg/cm<sup>2</sup>, 540 psi)], the release port on the pressure relief valve automatically opens and releases refrigerant into the atmosphere.



Component Layout

NCHA0122

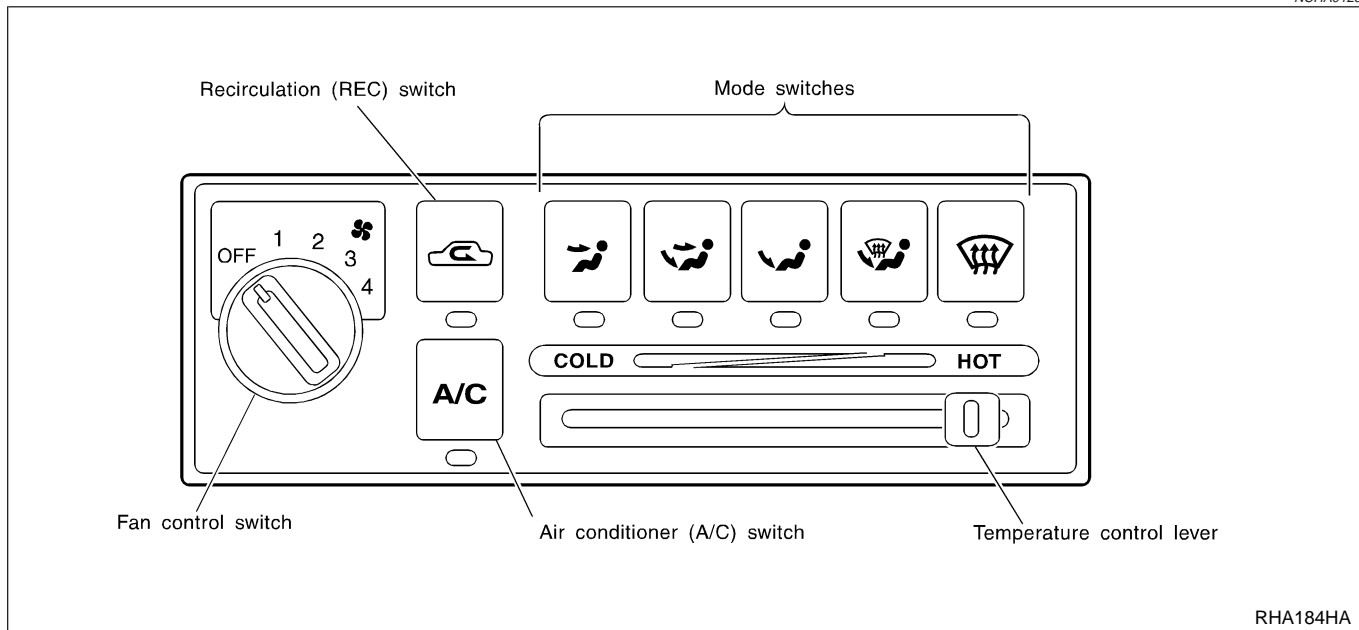
SEC. 270•271•272•273



RHA041H

## Control Operation

NCHA0123



RHA184HA

**FAN CONTROL SWITCH**



This switch turns the fan ON and OFF, and controls fan speed.

NCHA0123S01

**MODE SWITCHES**

These switches control the outlet air flow.

The indicator lamp will also light when the switch is depressed.

When DEF  or D/F  mode is selected, the push control unit sets the intake door to FRESH.

The compressor turns on when DEF  mode is selected.

NCHA0123S02

**TEMPERATURE CONTROL LEVER**

This lever allows you to adjust the temperature of the discharge air.

NCHA0123S03

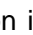

**RECIRCULATION (REC) SWITCH**

OFF position: Outside air is drawn into the passenger compartment.

In VENT mode and hi coolant temperature [Over 105°C (221°F)] the intake door set to Recirculation position.

ON position: Interior air is recirculated inside the vehicle.

The indicator lamp will also light.

Recirculation is canceled when DEF  or D/F  mode is selected, and resumes when another mode is chosen.

NCHA0123S04

**AIR CONDITIONER (A/C) SWITCH**

The air conditioner switch controls the A/C system. When the switch is depressed with the fan ON, the compressor will turn ON. The indicator lamp will also light.

**The air conditioner cooling function operates only when the engine is running.**

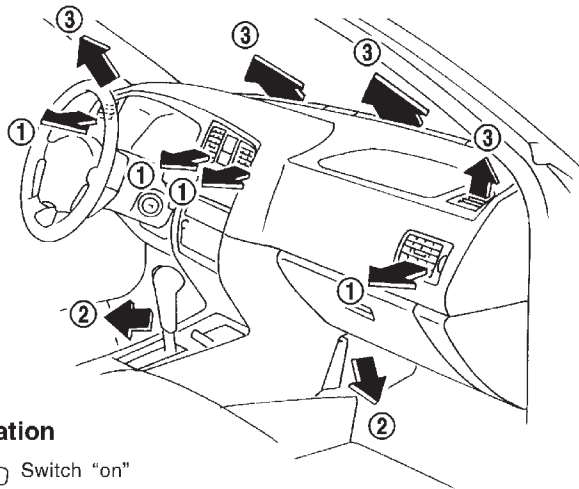
NCHA0123S05

GI  
MA  
EM  
LC  
EC  
FE  
CL  
MT  
AT  
AX  
SU  
BR  
ST  
RS  
BT  
HA  
SC  
EL  
IDX

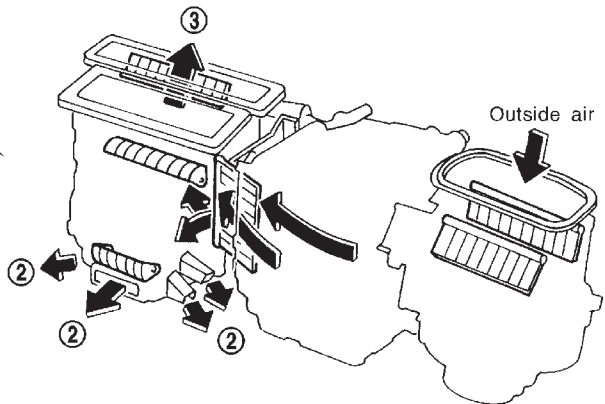
Discharge Air Flow

NCHA0124

Air outlets



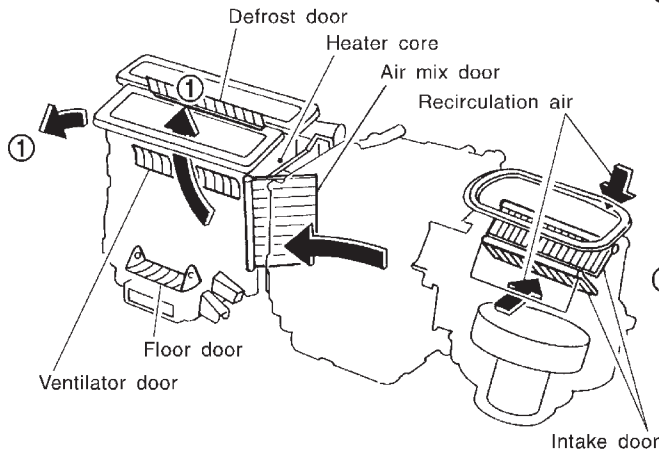
Foot



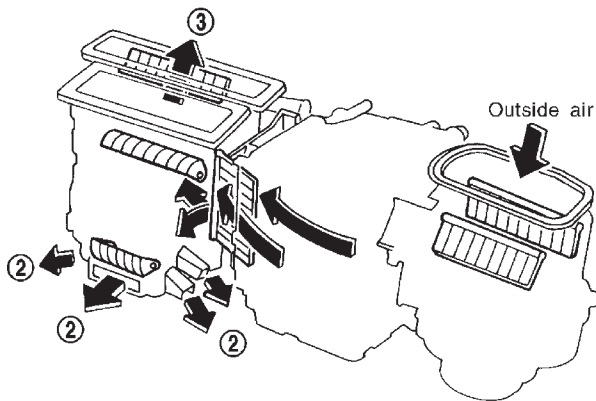
Ventilation



Switch "on"



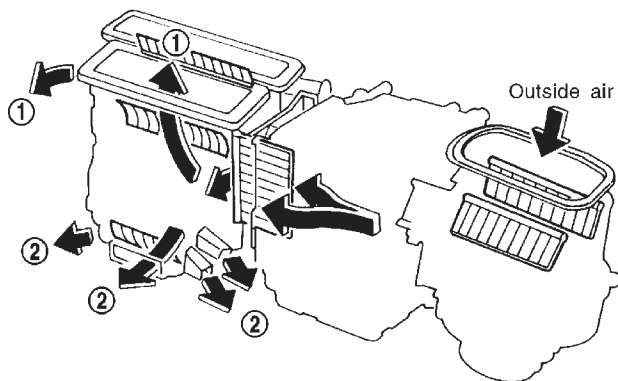
Foot and defrost



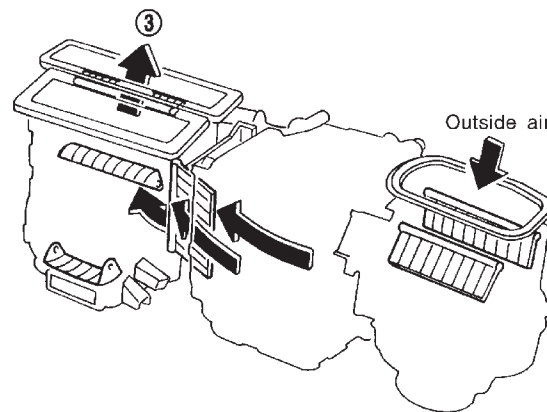
Bi-level



Switch "off"



Defrost



- ① : To face
- ② : To foot
- ③ : To defrost

For air flow %, refer to "Operational Check", "TROUBLE DIAGNOSES".













RHA042H



**System Description  
SWITCHES AND THEIR CONTROL FUNCTIONS**

NCHA0125

NCHA0125S01

Knob/Switch	Knob/Switch position							Air outlet	Intake air	Compressor
	A/C									
A/C	○							—	—	ON*1
Mode			○					VENT	—	—
				○				B/L	—	—
					○			FOOT	—	—
						○		D/F	FRE	—
							○	DEF	FRE	ON*1
							○	—	REC*2	—

\*1: Compressor is operated by ECM.

\*2: In DEF and D/F modes, REC switch is canceled.

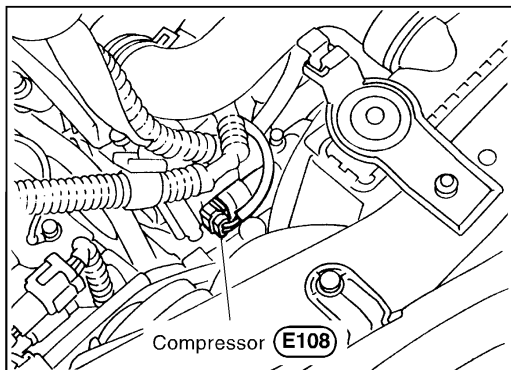
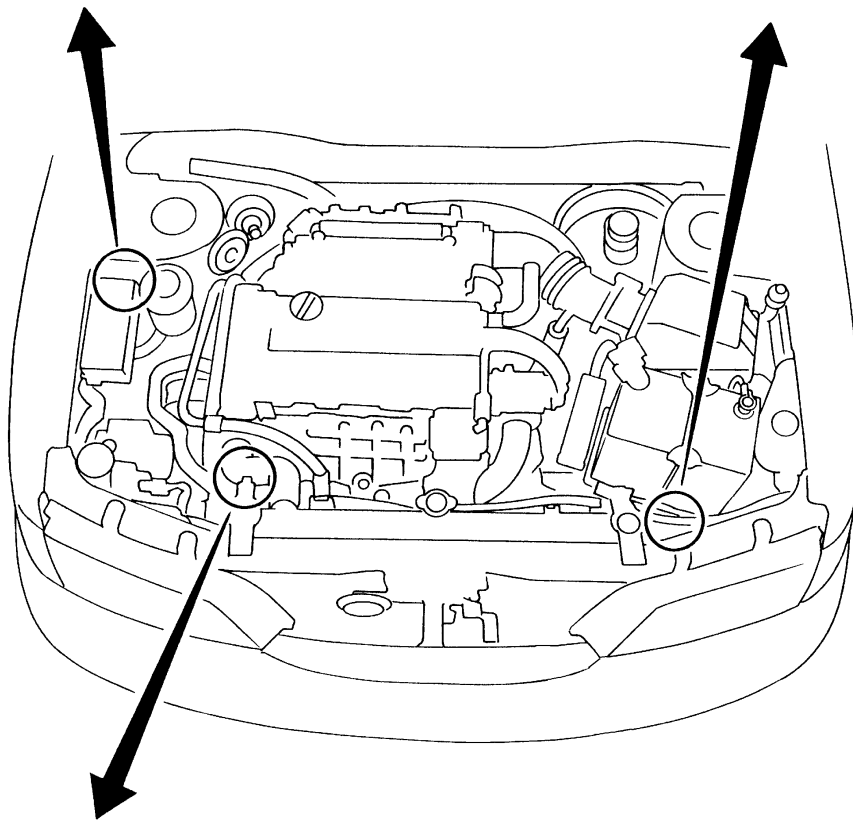
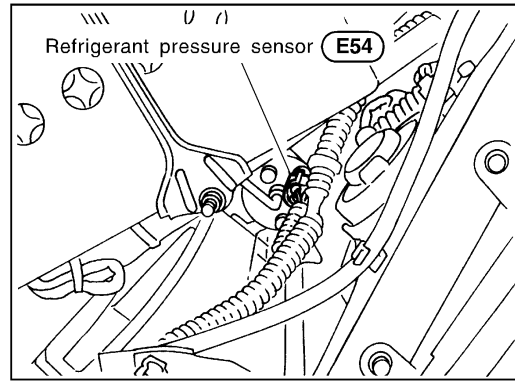
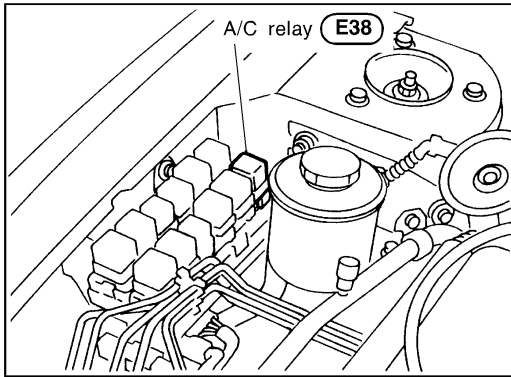
GI  
MA  
EM  
LC  
EC  
FE  
CL  
MT  
AT  
AX  
SU  
BR  
ST  
RS  
BT  
HA  
SC  
EL  
IDX

## Component Location

NCHA0126

NCHA0126S01

### ENGINE COMPARTMENT



PASSENGER COMPARTMENT

NCHA0126S02

GI

MA

EM

LC

EC

FE

CL

MT

AT

AX

SU

BR

ST

RS

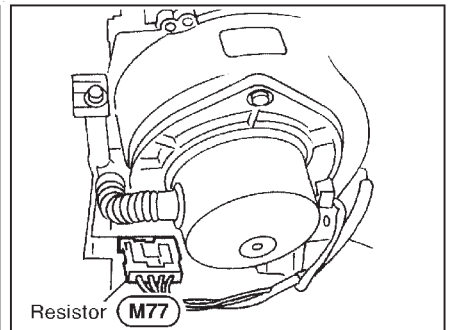
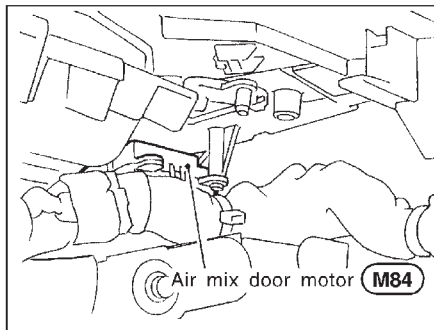
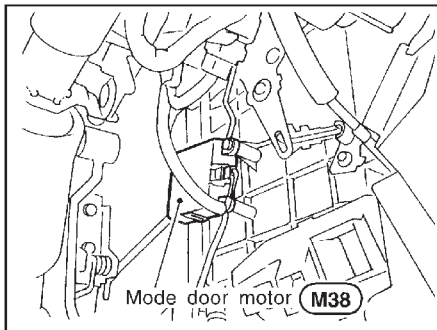
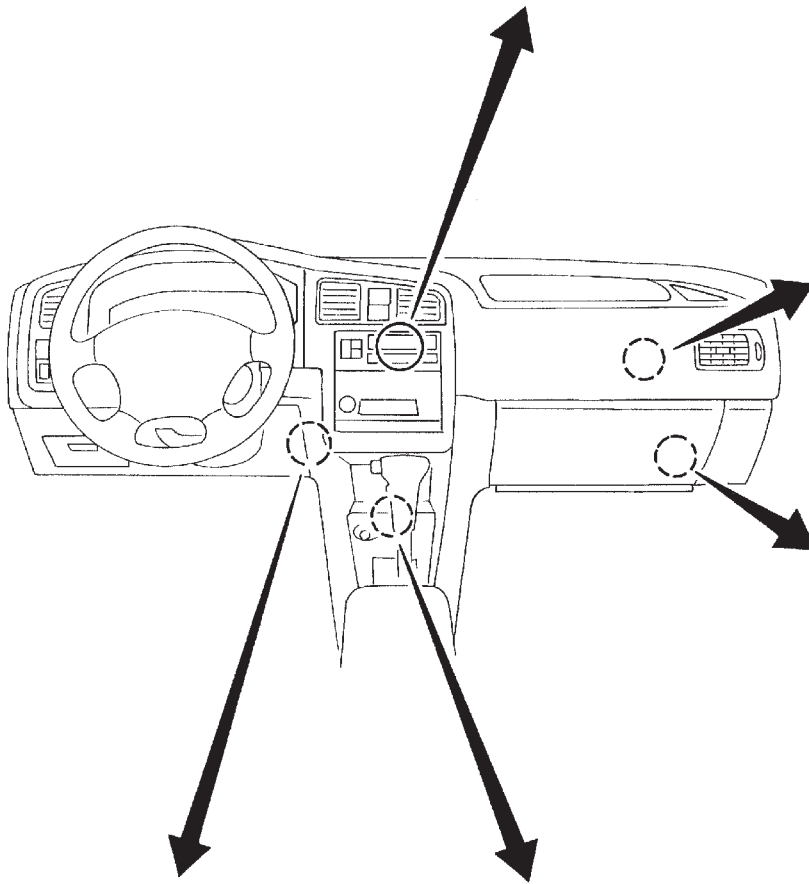
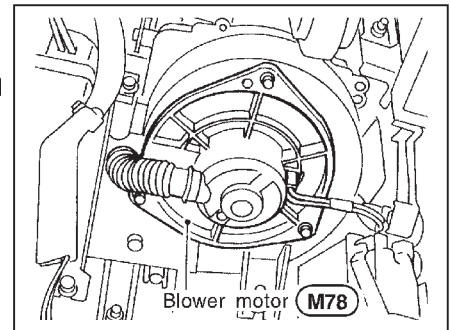
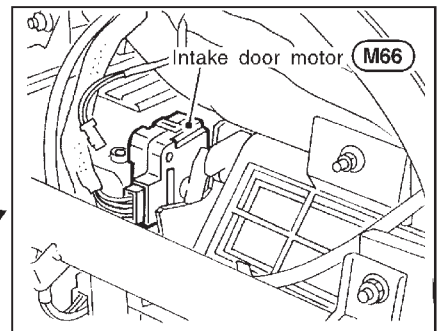
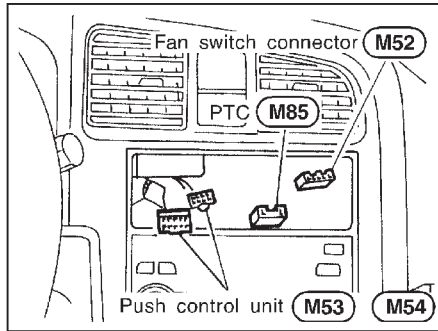
BT

HA

SC

EL

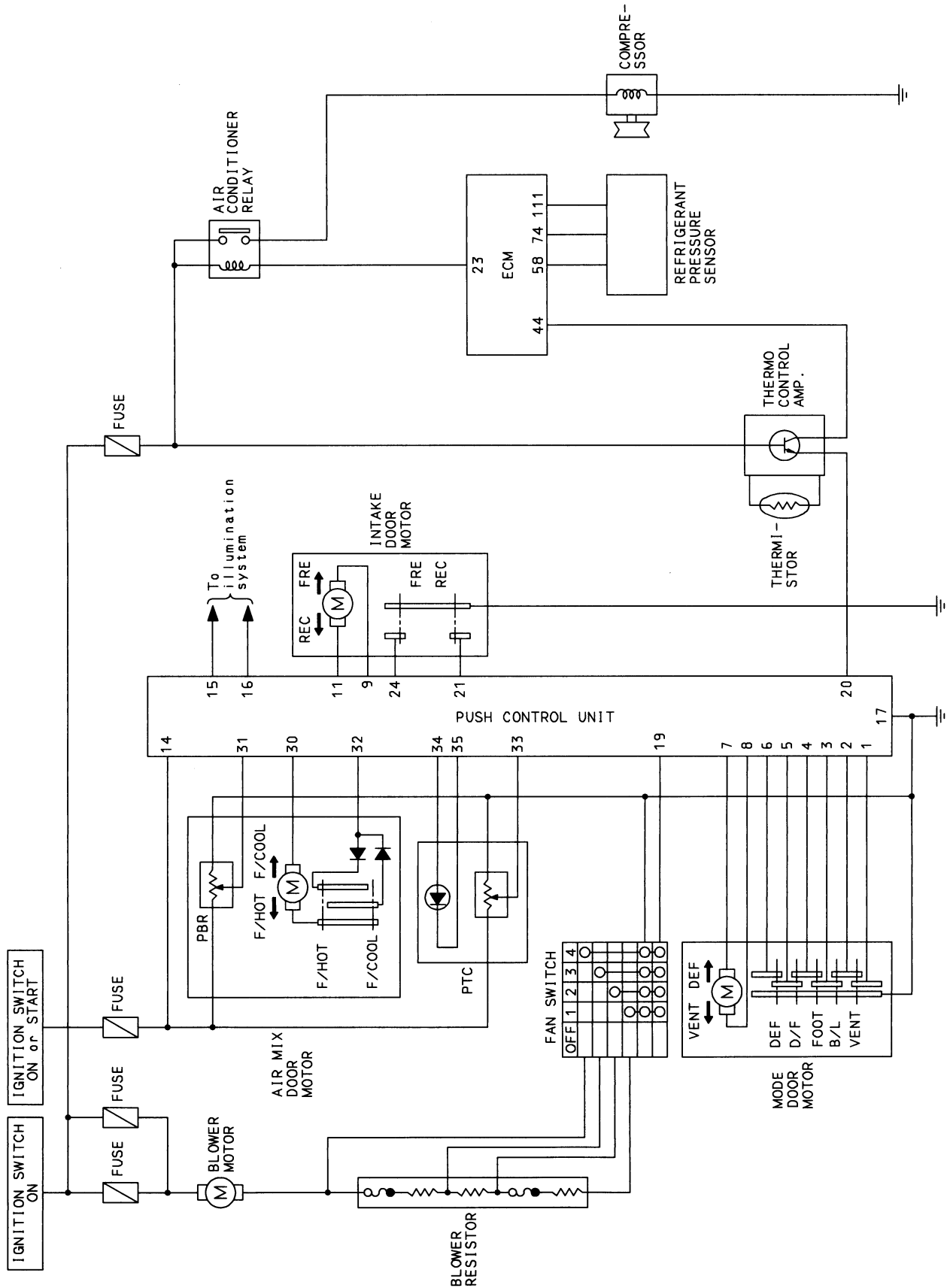
IDX



RHA186H

Circuit Diagram — Air Conditioner

NCHA0127

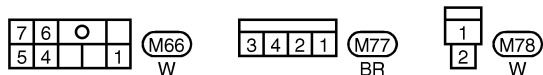
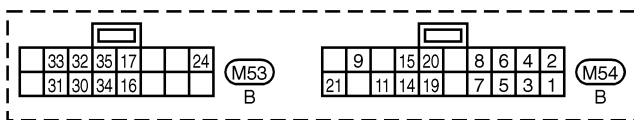
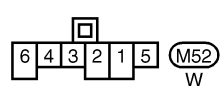
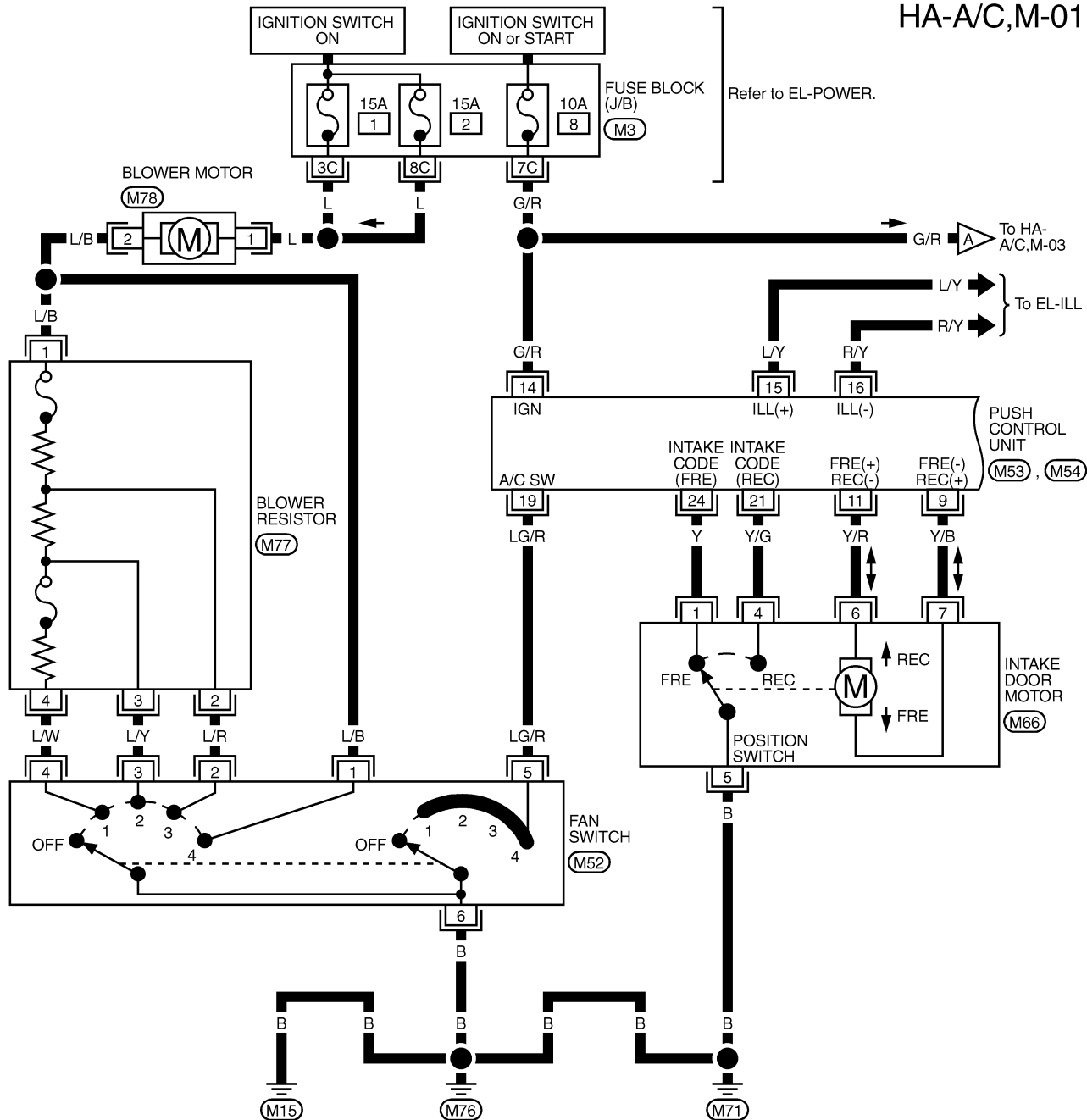


THA253

Wiring Diagram — A/C, M —

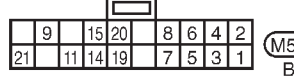
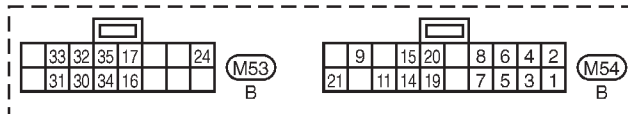
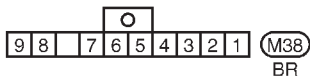
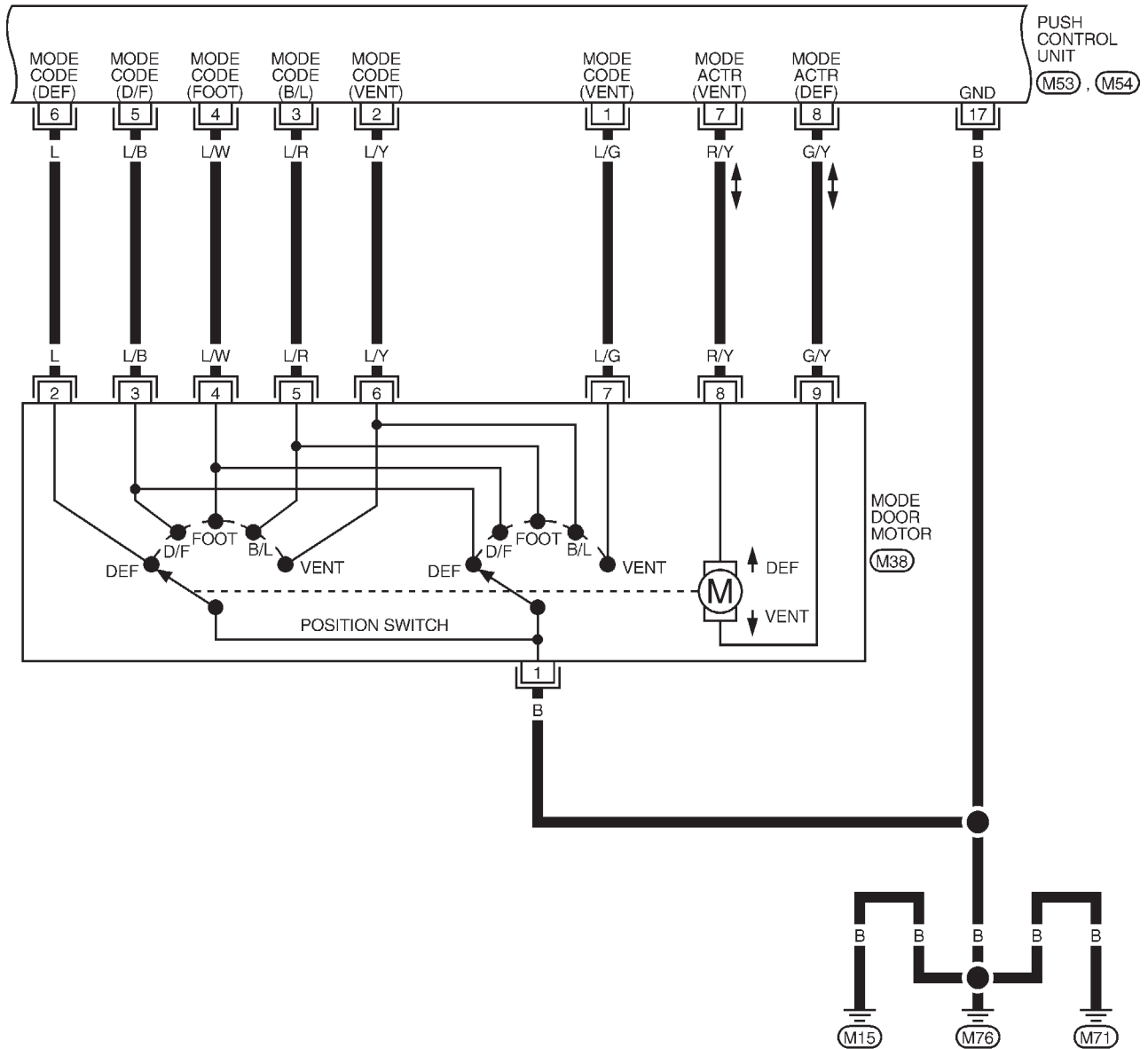
NCHA0128

HA-A/C,M-01



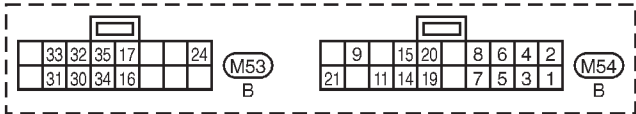
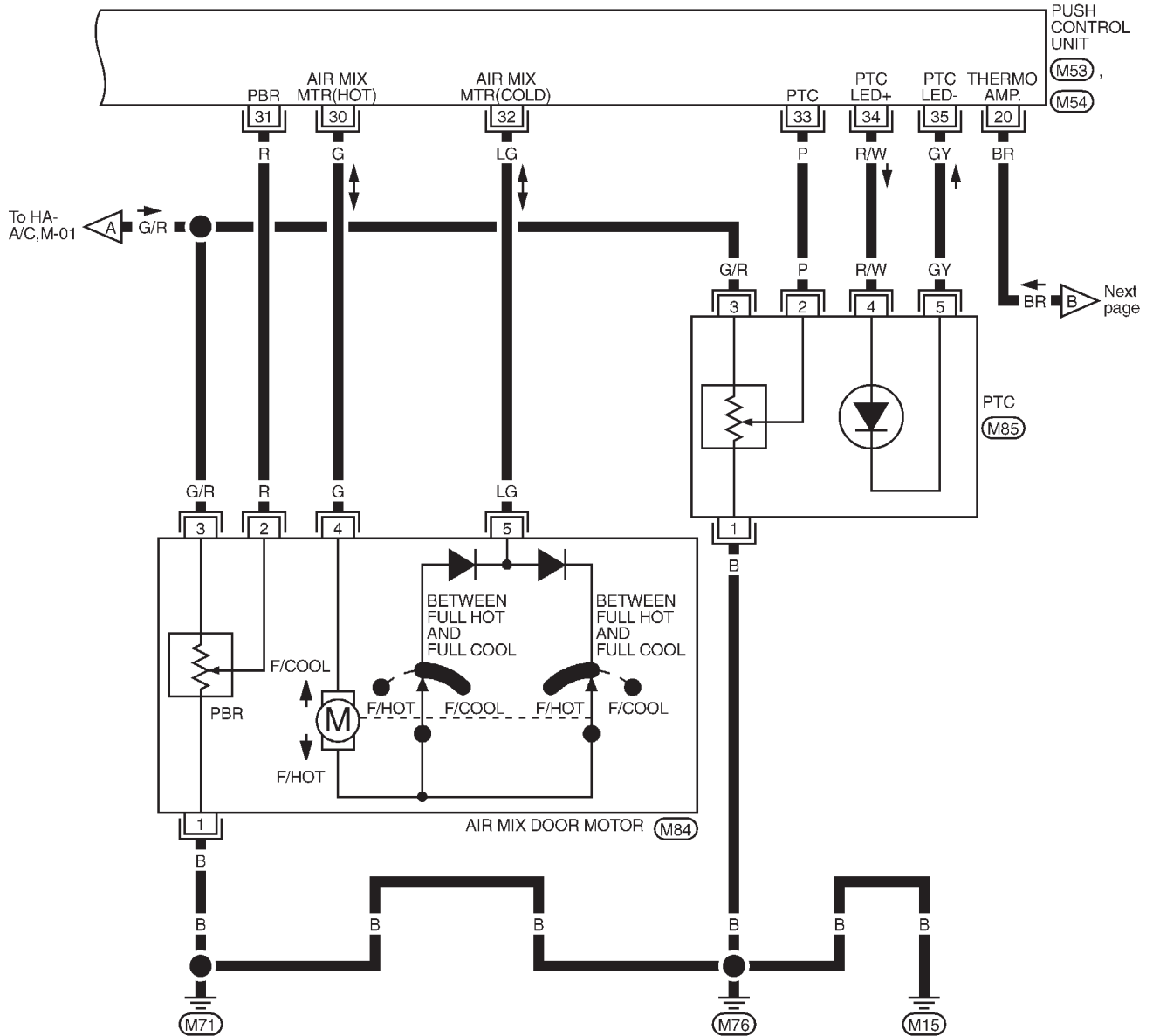
REFER TO THE FOLLOWING.  
 (M3) - FUSE BLOCK-JUNCTION BOX (J/B)

GI  
 MA  
 EM  
 LC  
 EC  
 FE  
 CL  
 MT  
 AT  
 AX  
 SU  
 BR  
 ST  
 RS  
 BT  
 HA  
 SC  
 EL  
 IDX

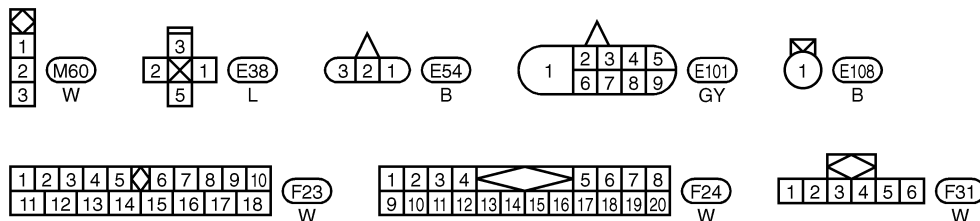
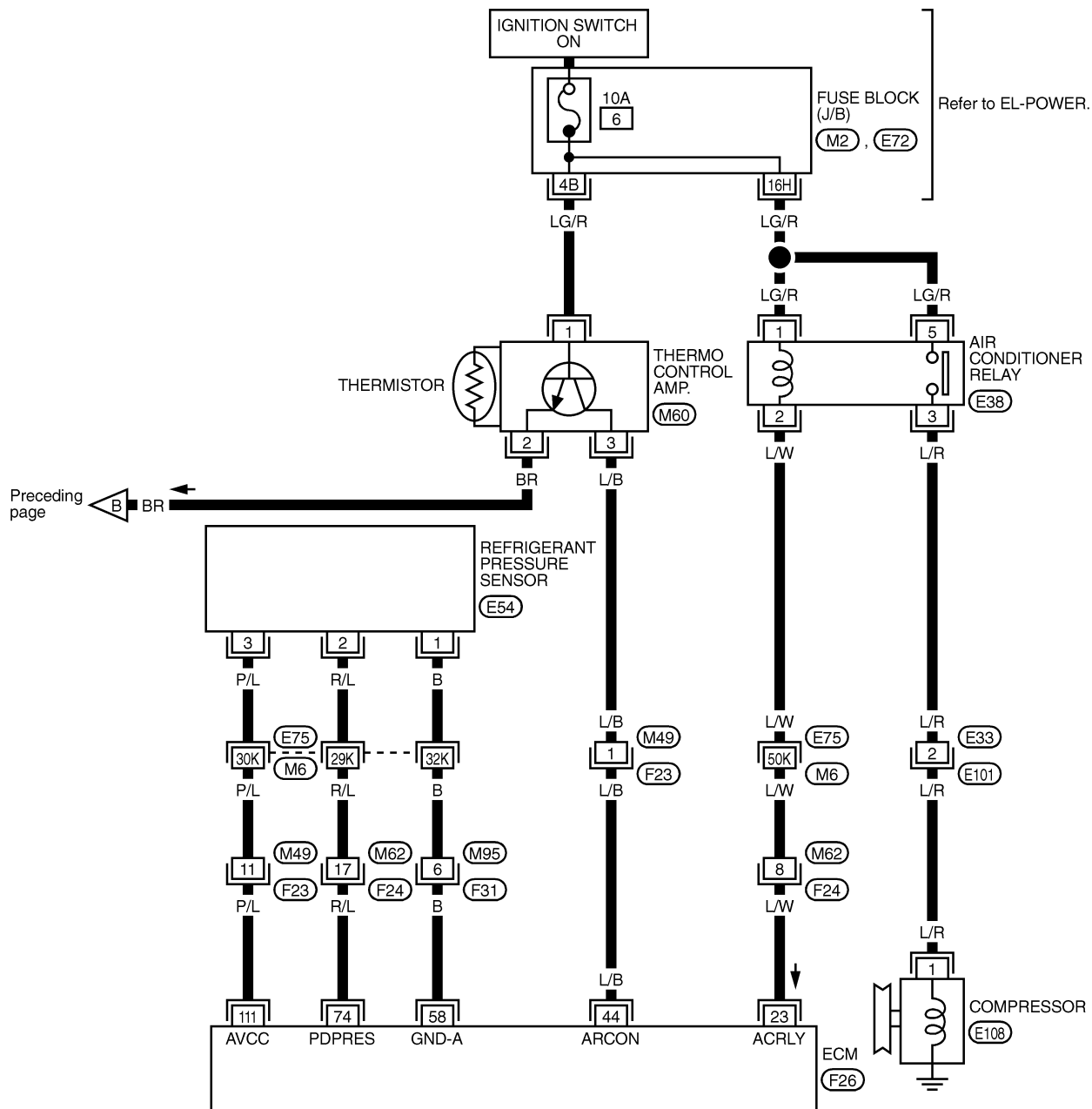


HA-A/C,M-03

GI  
MA  
EM  
LG  
EC  
FE  
CL  
MT  
AT  
AX  
SU  
BR  
ST  
RS  
BT  
HA  
SC  
EL  
IDX



HA-A/C,M-04



REFER TO THE FOLLOWING.

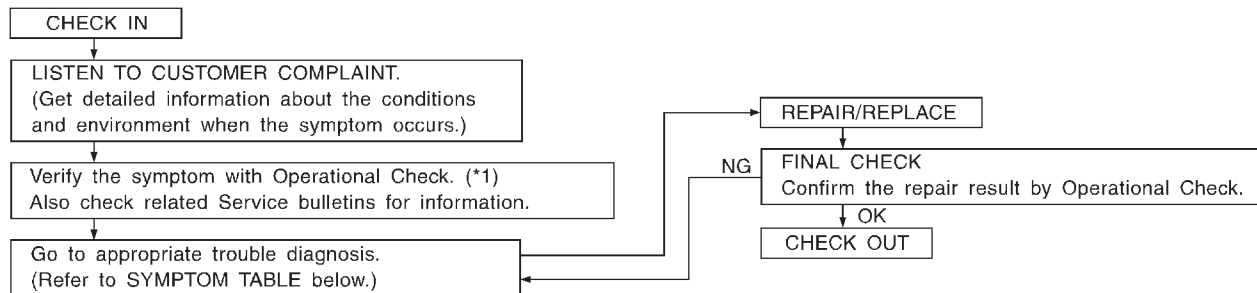
- (E75) -SUPER MULTIPLE JUNCTION (SMJ)
- (M2), (E72) -FUSE BLOCK-JUNCTION BOX (J/B)
- (F26) -ELECTRICAL UNITS



## How to Perform Trouble Diagnoses for Quick and Accurate Repair WORK FLOW

NCHA0129

NCHA0129S01



SHA900E

\*1: HA-148

### SYMPTOM TABLE

NCHA0129S02

Symptom	Reference page	
● A/C system does not come on.	● Go to Trouble Diagnosis Procedure for A/C System.	HA-150
● Intake door does not change in VENT, B/L or FOOT mode.	● Go to Trouble Diagnosis Procedure for Intake Door.	HA-152
● Air outlet does not change. ● Mode door motor does not operate normally.	● Go to Trouble Diagnosis Procedure for mode door motor.	HA-156
● Air mix door motor does not operate normally.	● Go to Trouble Diagnosis Procedure for Air mix door motor.	HA-162
● Blower motor does not rotate at all.	● Go to Trouble Diagnosis Procedure for Blower Motor.	HA-167
● Magnet clutch does not engage when A/C switch and fan switch are ON.	● Go to Trouble Diagnosis Procedure for Magnet Clutch.	HA-174
● Insufficient cooling.	● Go to Trouble Diagnosis Procedure for Insufficient cooling.	HA-182
● Insufficient heating.	● Go to Trouble Diagnosis Procedure for Insufficient heating.	HA-189
● Noise	● Go to Trouble Diagnosis Procedure for Noise.	HA-190

### Operational Check

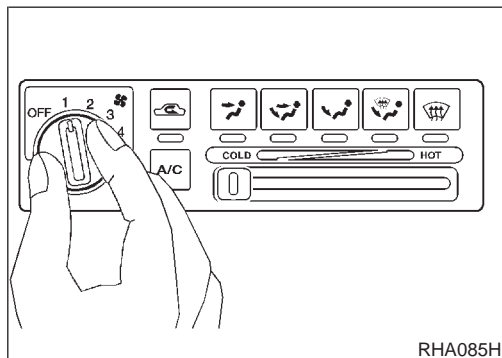
=NCHA0130

The purpose of the operational check is to confirm that the system operates properly.

#### CONDITIONS:

NCHA0130S01

- Engine running and at normal operating temperature.



RHA085H

#### PROCEDURE:

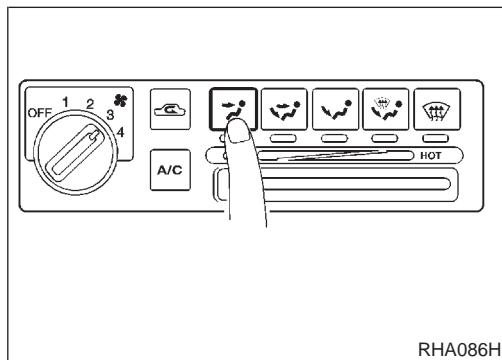
NCHA0130S02

##### 1. Check Blower

NCHA0130S0201

1. Turn fan switch to 1-speed.  
Blower should operate on 1-speed.
2. Then turn fan switch to 2-speed, and continue checking blower speed until all speeds are checked.
3. Leave blower on 4-speed.

If NG, go to trouble diagnosis procedure for blower motor (HA-167).  
If OK, continue with next check.



RHA086H

##### 2. Check Discharge Air

NCHA0130S0202

1. Press each mode switch.

**Discharge air flow**

Mode control knob	Air outlet/distribution		
	Face	Foot	Defroster
	100%	—	—
	60%	40%	—
	—	80%	20%
	—	60%	40%
	—	—	100%

RHA654F

2. Confirm that discharge air comes out according to the air distribution table at left, and that the indicator lamp illuminates.

Refer to “Discharge Air Flow”, HA-138.

If NG, go to trouble diagnosis procedure for mode door motor (HA-156).

If OK, continue with next check.

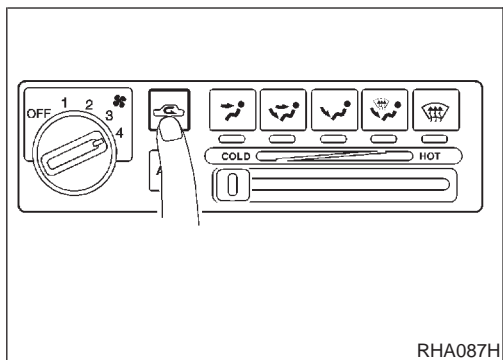
#### NOTE:

Confirm that the compressor clutch is engaged (visual inspection) and intake door position is at FRESH when the DEF mode is selected.

Confirm that the intake door position is at FRESH when the D/F mode is selected.

Intake door position is checked in the next step.

NCHA0130S0203



**3. Check Recirculation**

1. Press REC switch. Recirculation indicator should illuminate.
2. Listen for intake door position change (you should hear blower sound change slightly).

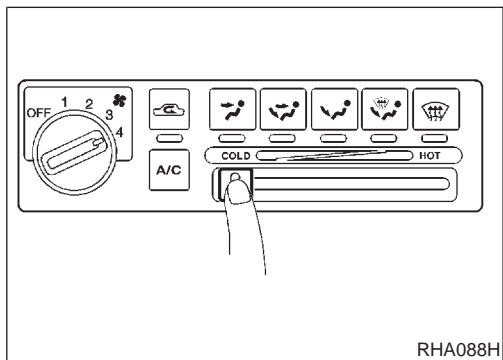
If NG, go to trouble diagnosis procedure for intake door (HA-152).  
If OK, continue with next check.

**NOTE:**

- Recirculation does not operate in DEF and D/F modes.
- Recirculation automatically occurs when the following conditions are met:
  - a) FACE mode.
  - b) Full cold position.
  - c) Fan switch to 4 speed.
  - d) A/C switch on.

Recirculation indicator will not illuminate.

GI  
MA  
EM  
LC  
EC  
FE



**4. Check Temperature Decrease**

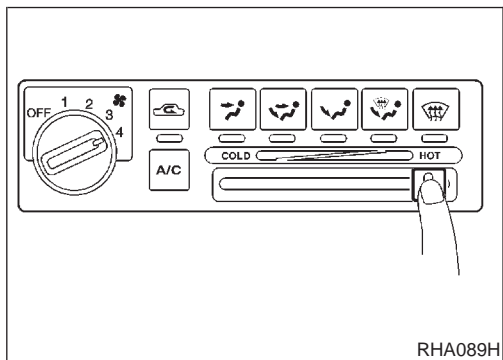
NCHA0130S0204

1. Slide temperature control lever to full cold.
2. Check for cold air at discharge air outlets.

If NG, go to trouble diagnosis procedure for insufficient cooling (HA-182).

If OK, continue with next check.

CL  
MT  
AT



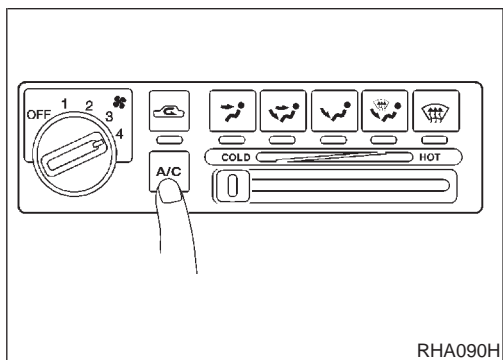
**5. Check Temperature Increase**

NCHA0130S0205

1. Slide temperature control lever to full hot.
2. Check for hot air at discharge air outlets.

If NG, go to trouble diagnosis procedure for insufficient heating (HA-189).

SU  
BR  
ST



**6. Check Air Conditioner Switch**

NCHA0130S0206

Turn the fan control switch to the desired (1 to 4 speed) position and push the A/C switch to turn ON the air conditioner. The indicator lamp should come on when air conditioner is ON. If NG, go to trouble diagnosis procedure for magnet clutch (HA-174).

RS  
BT  
HA  
SC  
EL  
IDX

A/C System

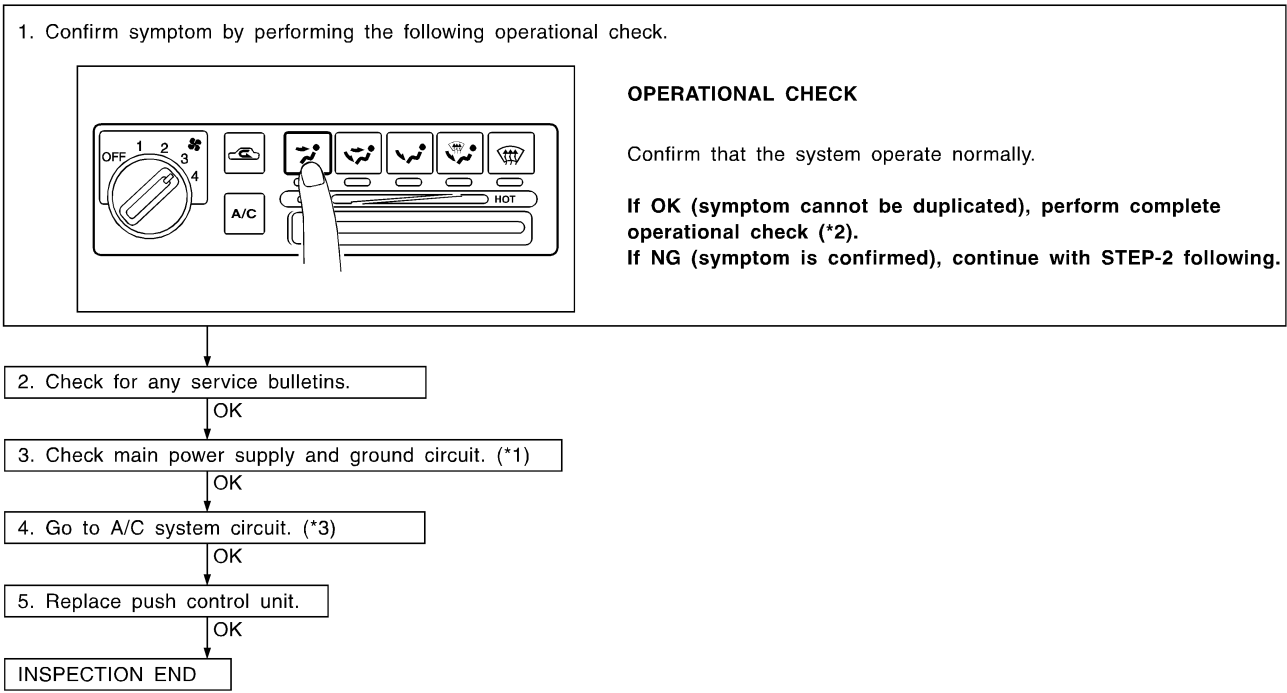
TROUBLE DIAGNOSIS PROCEDURE FOR A/C SYSTEM

=NCHA0131

Symptom:

- A/C system does not come on.

INSPECTION FLOW



SHA351F

\*1: HA-151

\*2: HA-148

\*3: HA-151

**MAIN POWER SUPPLY AND GROUND CIRCUIT CHECK**

=NCHA0132

**Power Supply Circuit Check**

NCHA0132S01

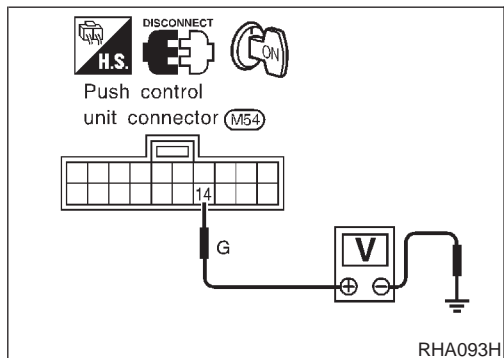
Check power supply circuit for air conditioner system.  
Refer to EL-10, "Wiring Diagram — POWER —".

**A/C SYSTEM CIRCUIT**

NCHA0191

**SYMPTOM:**

- A/C system does not come on.



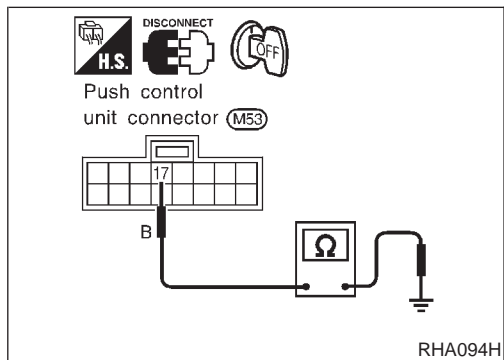
**Push Control Unit Check**

NCHA0191S01

Check power supply circuit for push control unit with ignition switch ON.

- 1) Disconnect push control unit harness connector.
- 2) Connect voltmeter from harness side.
- 3) Measure voltage across terminal No. 14 and body ground.

Voltmeter terminal		Voltage
(+)	(-)	
14	Body ground	Approx. 12V



Check body ground circuit for push control unit with ignition switch OFF.

- 1) Disconnect push control unit harness connector.
- 2) Connect ohmmeter from harness side.
- 3) Check for continuity between terminal No. 17 and body ground.

Ohmmeter terminal		Continuity
(+)	(-)	
17	Body ground	Yes

GI

MA

EM

LC

EC

FE

CL

MT

AT

AX

SU

BR

ST

RS

BT

HA

SC

EL

IDX

Intake Door

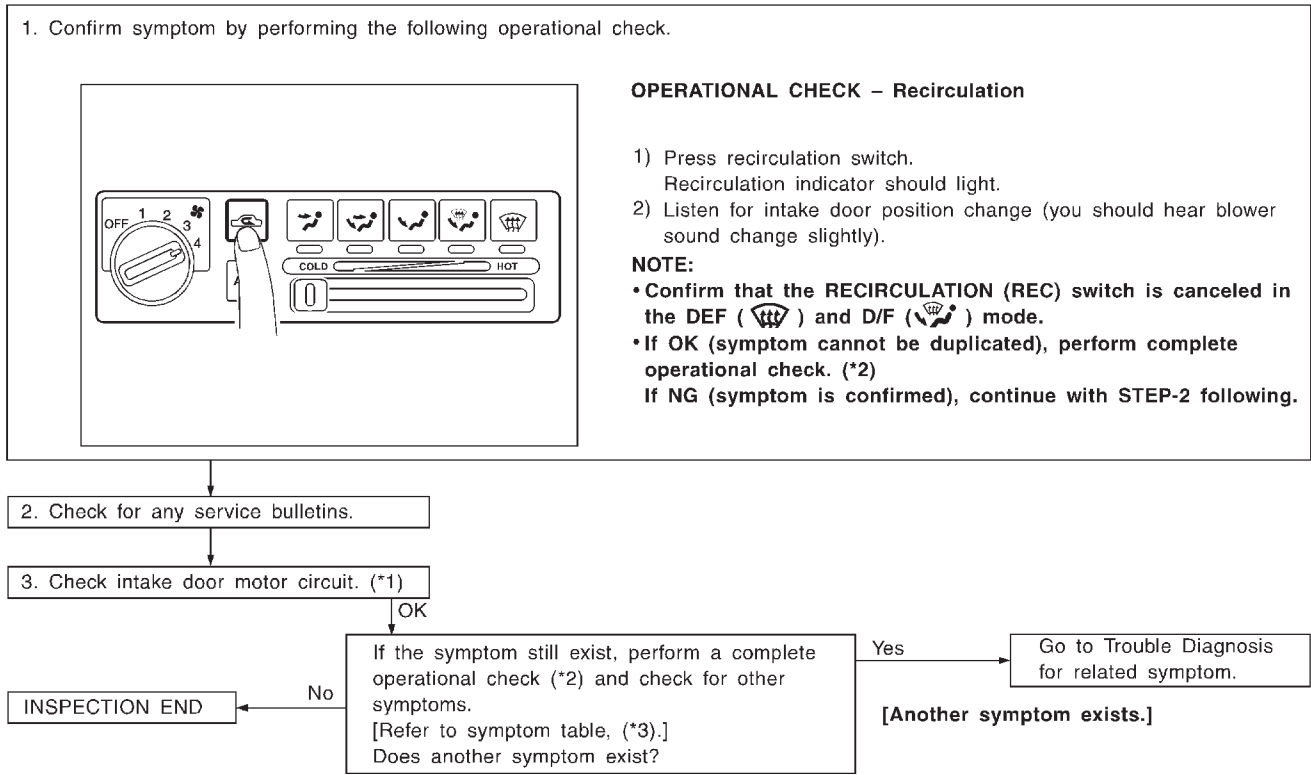
TROUBLE DIAGNOSIS PROCEDURE FOR INTAKE DOOR

=NCHA0133

SYMPTOM:

- Intake door does not change.

INSPECTION FLOW

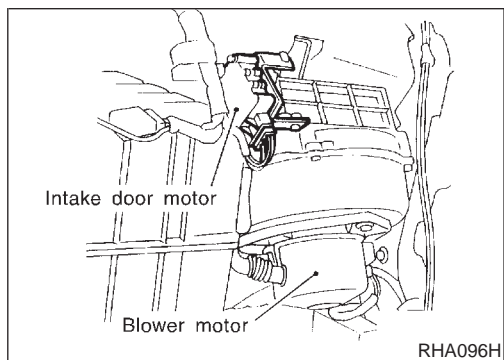


SHA182F

\*1: HA-153

\*2: HA-148

\*3: HA-147



COMPONENT DESCRIPTION

Intake Door Motor

NCHA0134

NCHA0134S01

The intake door motor is attached to the intake unit. It rotates so that air is drawn from inlets set by each mode switches. Motor rotation is conveyed to a lever which activates the intake door. RECIRCULATION switch is canceled by MODE switch in DEF and D/F modes.

## INTAKE DOOR MOTOR CIRCUIT

### SYMPTOM:

- Intake door does not change.

=NCHA0135

GI

MA

EM

LC

EC

FE

CL

MT

AT

AX

SU

BR

ST

RS

BT

**HA**

SC

EL

IDX

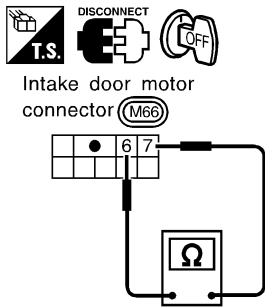
<b>1</b>	<b>CHECK POWER SUPPLY FOR INTAKE DOOR MOTOR</b>	
<p>Disconnect intake door motor harness connector. Do approx. 12 volts exist between push control unit harness terminal Nos. 9, 11 and body ground?</p>		
<b>Yes or No</b>		
Yes	▶	GO TO 3.
No	▶	GO TO 2.

SHA366F

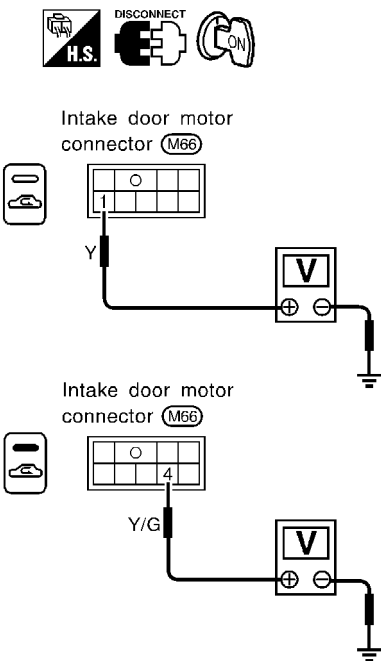
<b>2</b>	<b>CHECK CIRCUIT CONTINUITY BETWEEN INTAKE DOOR MOTOR AND PUSH CONTROL UNIT</b>	
<p>Check circuit continuity between push control unit harness terminal Nos. 9 (11) and intake door motor harness terminal Nos. 7 (6). <b>Continuity should exist.</b></p>		
<b>Yes or No</b>		
Yes	▶	Replace push control unit.
No	▶	Repair harness or connector.

RHA098HA

Intake Door (Cont'd)

<b>3</b>	<b>CHECK CIRCUIT CONTINUITY OF INTAKE DOOR MOTOR</b>	
<p>Check circuit continuity between intake door motor harness terminal No. 6 and No. 7.</p> <div style="text-align: center;">  <p>Intake door motor connector (M68)</p> </div> <p style="text-align: right;">RHA099HA</p> <p style="text-align: center;"><b>OK or NG</b></p>		
OK	▶	GO TO 4.
NG	▶	Replace intake door motor.

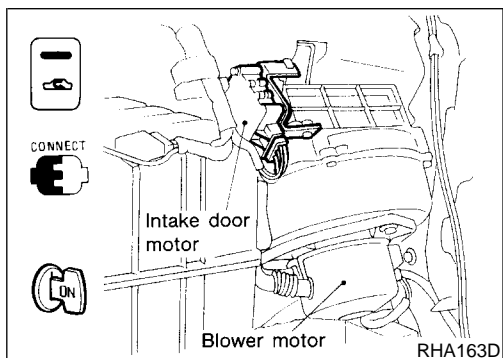
<b>4</b>	<b>CHECK INTAKE DOOR LINKAGE</b>	
<p>Refer to Control Linkage Adjustment. (HA-155)</p> <p style="text-align: center;"><b>OK or NG</b></p>		
OK	▶	GO TO 5.
NG	▶	Repair or adjust.

<b>5</b>	<b>CHECK FOR OUTPUT OF PUSH CONTROL UNIT</b>	
<p>Do approx. 5 volts exist between intake door motor harness terminal Nos. 1, 4 and body ground?</p> <div style="text-align: center;">  <p>Intake door motor connector (M68)</p> <p>Intake door motor connector (M68)</p> </div> <p style="text-align: right;">RHA100H</p> <p style="text-align: center;"><b>Yes or No</b></p>		
Yes	▶	GO TO 6.
No	▶	GO TO 7.



<b>6</b>	<b>CHECK BODY GROUND CIRCUIT FOR INTAKE DOOR MOTOR</b>	<p>Check circuit continuity between intake door motor harness terminal No. 5 and body ground.</p> <div style="text-align: center;"> </div> <p style="text-align: right;">RHA101H</p> <p style="text-align: center;"><b>OK or NG</b></p>	GI MA EM LC EC FE
OK	▶	Replace intake door motor.	FE
NG	▶	Repair harness or connector.	FE

<b>7</b>	<b>CHECK CIRCUIT CONTINUITY BETWEEN INTAKE DOOR MOTOR AND PUSH CONTROL UNIT</b>	<p>Check circuit continuity between intake door motor harness terminal Nos. 1, (4) and push control unit harness terminal Nos. 24, (21).</p> <div style="text-align: center;"> </div> <div style="text-align: right;">RHA907H</div> <table border="1" style="margin: 10px auto; border-collapse: collapse;"> <thead> <tr> <th colspan="2">Terminal No.</th> <th rowspan="2">Continuity</th> </tr> <tr> <th>Intake door motor</th> <th>Push control unit</th> </tr> </thead> <tbody> <tr> <td style="text-align: center;">(1)</td> <td style="text-align: center;">(24)</td> <td rowspan="2" style="text-align: center;">Yes</td> </tr> <tr> <td style="text-align: center;">(4)</td> <td style="text-align: center;">(21)</td> </tr> </tbody> </table> <p style="text-align: right;">MTBL0132</p> <p style="text-align: center;"><b>OK or NG</b></p>	Terminal No.		Continuity	Intake door motor	Push control unit	(1)	(24)	Yes	(4)	(21)	CL MT AT AX SU BR ST RS BT
Terminal No.		Continuity											
Intake door motor	Push control unit												
(1)	(24)	Yes											
(4)	(21)												
OK	▶	Replace push control unit.	BT										
NG	▶	Repair harness or connector.	BT										



## CONTROL LINKAGE ADJUSTMENT

### Intake Door Motor

1. Install intake door motor on intake unit.  
Ensure that the intake door motor lever is fitted into the slit portion of intake door link.
2. Connect the intake door motor harness connector.
3. Turn ignition switch to "ON" position.
4. Check that intake door operates properly when REC switch is turned ON and OFF.

NCHA0136

NCHA0136S01

GI  
MA  
EM  
LC  
EC  
FE  
CL  
MT  
AT  
AX  
SU  
BR  
ST  
RS  
BT  
HA

## Mode Door Motor

### TROUBLE DIAGNOSIS PROCEDURE FOR MODE DOOR MOTOR

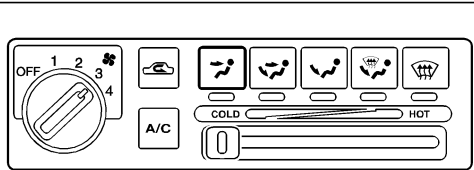
=NCHA0137

**SYMPTOM:**






- Air outlet does not change.
- Mode door motor does not operate normally.

**INSPECTION FLOW**

1. Confirm symptom by performing the following operation.





**Discharge air flow**

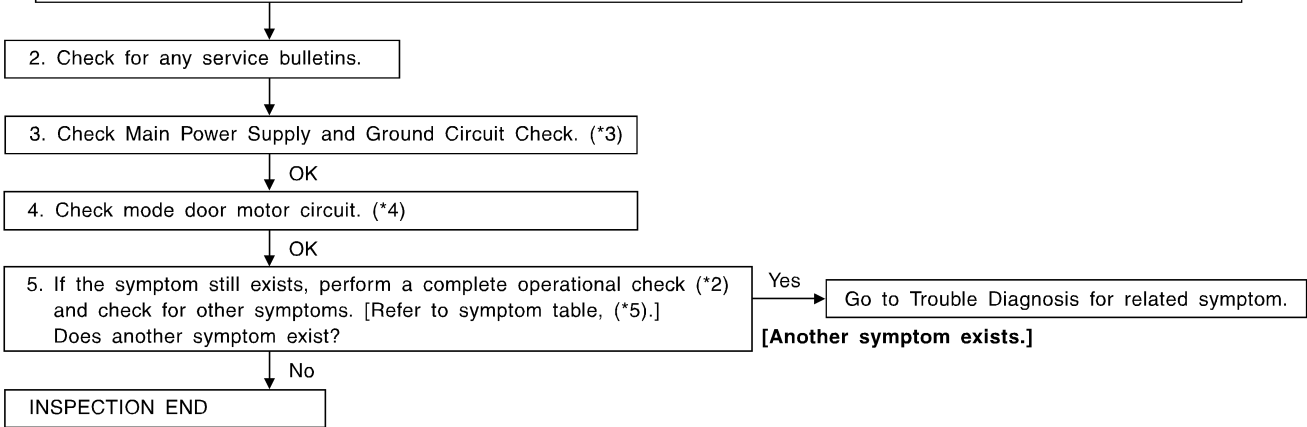
Mode control knob	Air outlet/distribution		
	Face	Foot	Defroster
	100%	—	—
	60%	40%	—
	—	80%	20%
	—	60%	40%
	—	—	100%

**OPERATIONAL CHECK – Mode door motor**

a. Press each mode switch.  
b. Confirm that discharge air comes out according to the distribution table at left, and that the indicator lamp. Refer to “Discharge Air Flow”, (\*1).

**If OK (symptom cannot be duplicated), perform complete operational check. (\*2)**  
**If NG (symptom is confirmed), continue with STEP-2 following.**

**NOTE:**  
Confirm that the compressor clutch is engaged (visual inspection) and intake door position is at FRESH when the DEF  mode is selected.  
Confirm that the intake door position is at FRESH when the D/F  mode is selected.

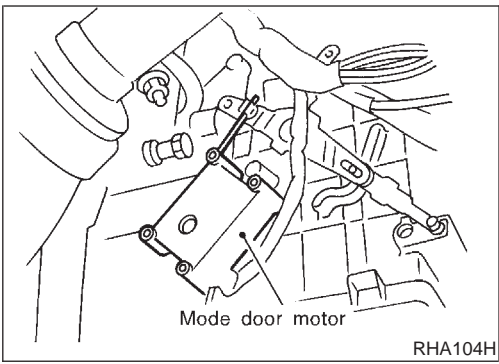


SHA364F

\*1: HA-138  
\*2: HA-148

\*3: HA-151  
\*4: HA-158

\*5: HA-147



COMPONENT DESCRIPTION

Mode Door Motor

The mode door motor is attached to the heater unit. It rotates so that air is discharged from the outlet set by the auto amp. Motor rotation is conveyed to a link which activates the mode door.

NCHA0179

NCHA0179S01

GI

MA

EM

LC

EC

FE

CL

MT

AT

AX

SU

BR

ST

RS

BT

HA

SC

EL

IDX

## MODE DOOR MOTOR CIRCUIT

=NCHA0138

### SYMPTOM:

- Air outlet does not change.
- Mode door motor does not operate normally.

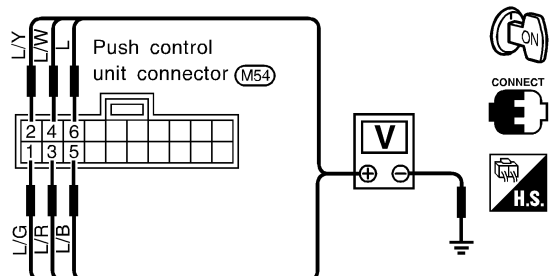
<b>1</b>	<b>CHECK FOR OUTPUT OF PUSH CONTROL UNIT</b>
<p>Disconnect mode door motor harness connector.                  Change the mode from FACE to DEF, or from DEF to FACE. Do approx. 12 volts exist between push control unit harness terminal No. 7 and No. 8 in both cases?</p>	
RHA105H	
<b>Yes or No</b>	
Yes	▶ GO TO 3.
No	▶ GO TO 2.

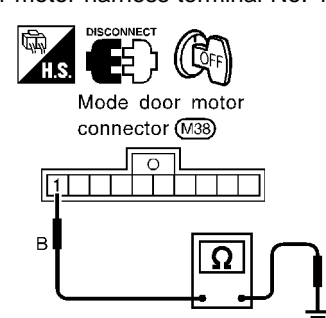
<b>2</b>	<b>CHECK CIRCUIT CONTINUITY BETWEEN MODE DOOR MOTOR AND PUSH CONTROL UNIT</b>		
<p>Check circuit continuity between mode door motor harness terminal Nos. 8, (9) and push control unit terminal Nos. 7, (8).</p>			
RHA106HA			
<b>OK or NG</b>			
OK	▶	Replace push control unit.	
NG	▶	Repair harness or connector.	

GI  
 MA  
 EM  
 LC  
 EC  
 FE  
 CL  
 MT  
 AT  
 AX  
 SU  
 BR  
 ST  
 RS  
 BT  
 HA  
 SC  
 EL  
 IDX

<b>3</b>	<b>CHECK MODE DOOR MOTOR CIRCUIT</b>		
<p>Check circuit continuity between mode door motor harness terminal No. 8 and No. 9.</p>			
RHA908H			
<b>OK or NG</b>			
OK	▶	GO TO 4.	
NG	▶	Replace mode door motor.	

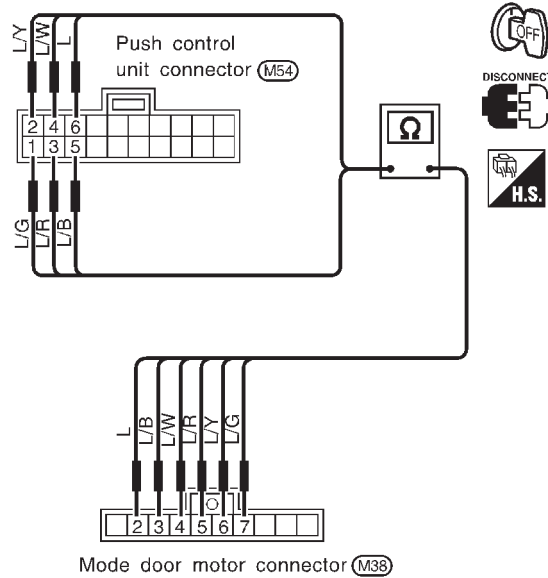
Mode Door Motor (Cont'd)

<b>4</b>	<b>CHECK FOR OUTPUT OF PUSH CONTROL UNIT</b>	
<p>Do approx. 5 volts exist between push control unit harness terminal Nos. 1, 2, 3, 4, 5, 6 and body ground?</p>		
		
SHA444F		
<b>OK or NG</b>		
OK	▶	GO TO 5.
NG	▶	GO TO 6.

<b>5</b>	<b>CHECK GROUND CIRCUIT FOR MODE DOOR MOTOR</b>	
<p>Check circuit continuity between mode door motor harness terminal No. 1 and body ground.</p>		
		
RHA109H		
<b>OK or NG</b>		
OK	▶	CHECK SIDE LINK (Refer to HA-161.)
NG	▶	Repair harness or connector.

**6 CHECK CIRCUIT CONTINUITY BETWEEN PUSH CONTROL UNIT AND MODE DOOR MOTOR**

Disconnect push control unit harness connector.  
Check circuit continuity between each terminal control unit and mode door motor.



RHA110H

Terminal No.		Continuity
Push control unit	Mode door motor	
6	2	Yes
5	3	
4	4	
3	5	
2	6	
1	7	

MTBL0387

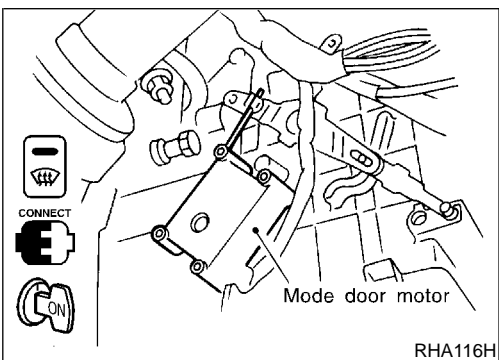
**OK or NG**

- |    |   |                              |
|----|---|------------------------------|
| OK | ▶ | Replace push control unit.   |
| NG | ▶ | Repair harness or connector. |

GI  
MA  
EM  
LC  
EC  
FE  
CL  
MT  
AT  
AX  
SU  
BR  
ST  
RS  
BT

**HA**

SC  
EL  
IDX



## CONTROL LINKAGE ADJUSTMENT

### Mode Door

1. Move side link by hand and hold mode door in DEF mode.
2. Connect door motor to main harness.
3. Turn ignition switch ON.
4. Select DEF mode.
5. Install mode door motor on heater unit.
6. Attach mode door motor rod to side link rod holder.

**After installing the mode door motor, check for proper operation.**

NCHA0139  
NCHA0139S01

Air Mix Door

TROUBLE DIAGNOSIS PROCEDURE FOR AIR MIX DOOR MOTOR

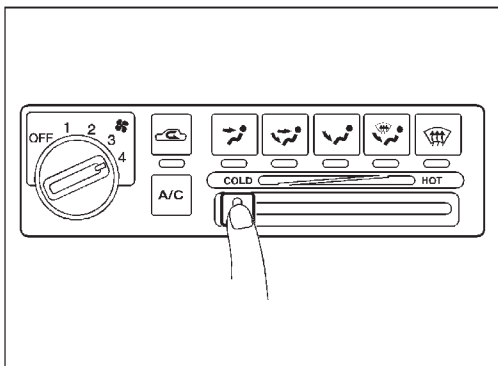
=NCHA0140

SYMPTOM:

- Air mix door motor does not operate normally.

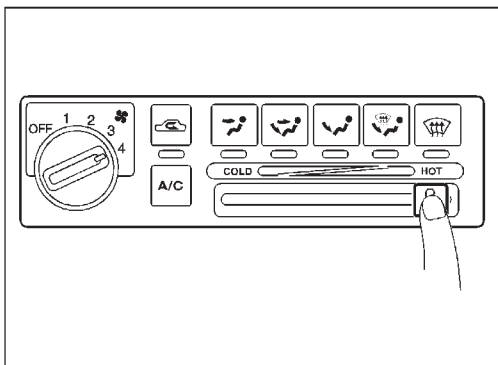
INSPECTION FLOW

1. Confirm symptom by performing the following operational check.



**OPERATIONAL CHECK – Temperature decrease and increase**

1. Check Temperature Decrease
  - 1) Slide temperature control lever to full cold.
  - 2) Check for cold air at discharge air outlets.



2. Check Temperature Increase
  - 1) Slide temperature control lever to full hot.
  - 2) Check for hot air at discharge air outlets.

If OK (symptom cannot be duplicated). Perform complete operational check. (\*3)  
 If NG (symptom is confirmed), continue with STEP-2 following.

2. Check for any service bulletins.

3. Check air mix door. (\*1)

OK

4. Check air mix door motor circuit. (\*2)

OK

If the symptom still exist, perform a complete operational check and check for other symptoms.  
 [Refer to symptom table.]  
 Does another symptom exist?

Yes

Go to Trouble Diagnosis for related symptom.

[Another symptom exists.]

No

INSPECTION END

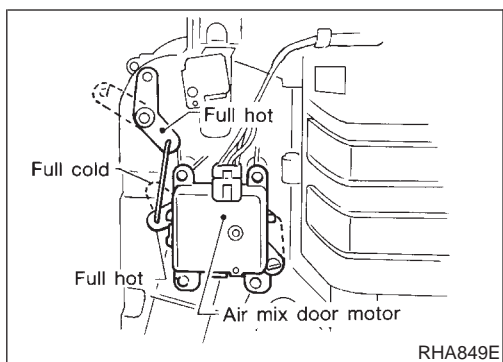
SHA184F

\*1: HA-163

\*2: HA-165

\*3: HA-148





RHA849E

COMPONENT DESCRIPTION

Air Mix Door Motor

NCHA0141

NCHA0141S01

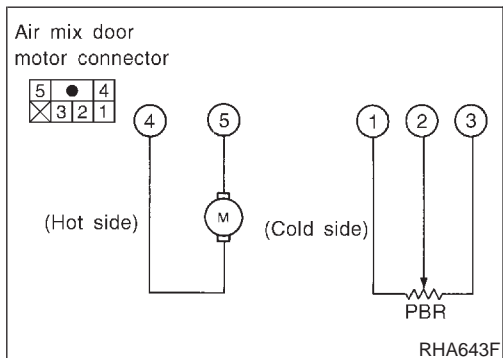
The air mix door motor is attached to the bottom of the heater unit. It rotates so that the air mix door is opened to a position set by the PTC. Motor rotation is then conveyed through a shaft and air mix door position is then fed back to the push control unit by PBR built-in air mix door motor.

GI

MA

EM

LC



RHA643F

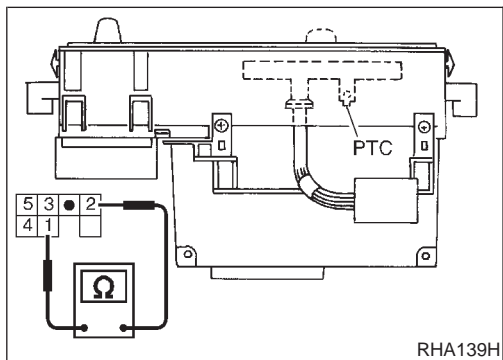
4	5	Air mix door operation	Direction of lever movement
(+)	(-)	COLD → HOT	Clockwise (Toward passenger compartment)
-	-	STOP	STOP
(-)	(+)	HOT → COLD	Counterclockwise (Toward engine compartment)

EC

FE

CL

MT



RHA139H

CONTROL SYSTEM INPUT COMPONENTS

Potentiometer Temperature Control (PTC)

NCHA0144

NCHA0144S01

The PTC is built into the control unit. It has a variable resistance which changes according to the set temperature. This resistance is connected to the temperature control lever.

AT

AX

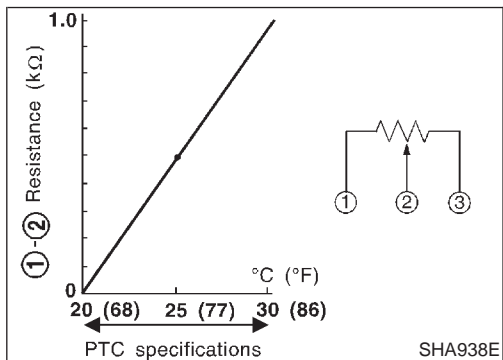
PBR

NCHA0144S0101

After disconnecting PTC harness connector, measure resistance between terminals 1 and 2 at PTC harness side.

SU

BR



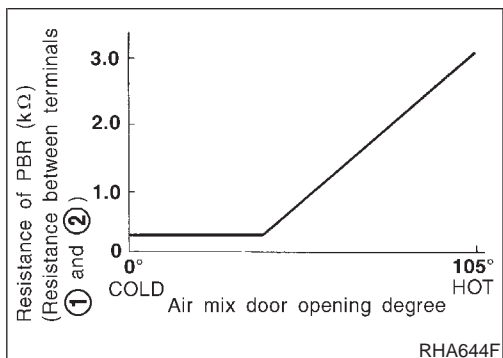
SHA938E

ST

RS

BT

HA



RHA644F

PBR

NCHA0144S02

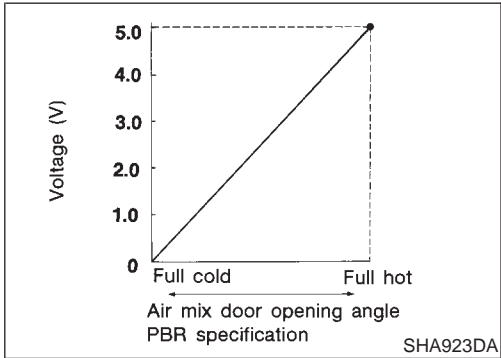
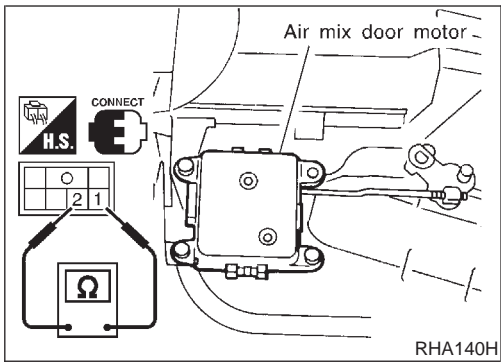
Measure resistance between terminals 1 and 2 at vehicle harness side.

SC

EL

IDX

Air Mix Door (Cont'd)



**Ignition Switch: ON**

- Ensure tester pointer deflects smoothly when PTC <sup>NCHA0144S0201</sup> is moved from full cool to full hot and vice versa.

## AIR MIX DOOR MOTOR CIRCUIT

=NCHA0142

### SYMPTOM:

- Air mix door motor does not operate normally.

<b>1</b>	<b>CHECK POWER SUPPLY FOR PUSH CONTROL UNIT</b>	
Refer to Main Power Supply and Ground Circuit Check (HA-151).		
<b>OK or NG</b>		
OK	▶	GO TO 2.
NG	▶	Repair or replace.

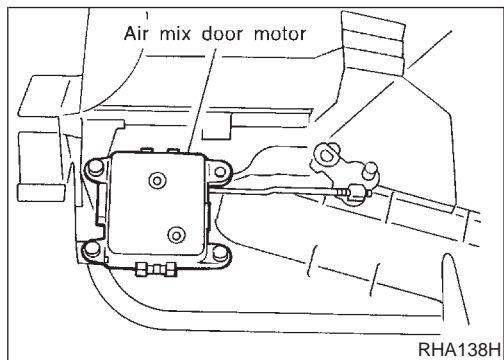
<b>2</b>	<b>CHECK PTC</b>	
Refer to CONTROL SYSTEM INPUT COMPONENTS HA-163.		
<b>OK or NG</b>		
OK	▶	GO TO 3.
NG	▶	Replace PTC.

<b>3</b>	<b>CHECK PBR</b>	
Refer to CONTROL SYSTEM INPUT COMPONENTS HA-163.		
<b>OK or NG</b>		
OK	▶	GO TO 4.
NG	▶	Replace PBR.

<b>4</b>	<b>CHECK FOR OUTPUT OF PUSH CONTROL UNIT</b>													
Do approx. 10.5 volts exist between air mix door motor harness terminal Nos. 4, 5 and body ground?														
<p style="text-align: center;">Air mix door motor connector (M84)</p>														
RHA612FD														
<table border="1" style="width: 100%; border-collapse: collapse;"> <thead> <tr> <th rowspan="2">Air mix door operation</th> <th colspan="2">Terminal No.</th> <th rowspan="2">Voltage</th> </tr> <tr> <th>(+)</th> <th>(-)</th> </tr> </thead> <tbody> <tr> <td>Cold → Hot</td> <td style="text-align: center;">4</td> <td rowspan="2" style="text-align: center;">Body ground</td> <td rowspan="2" style="text-align: center;">Approx. 10.5V</td> </tr> <tr> <td>Hot → Cold</td> <td style="text-align: center;">5</td> </tr> </tbody> </table>			Air mix door operation	Terminal No.		Voltage	(+)	(-)	Cold → Hot	4	Body ground	Approx. 10.5V	Hot → Cold	5
Air mix door operation	Terminal No.			Voltage										
	(+)	(-)												
Cold → Hot	4	Body ground	Approx. 10.5V											
Hot → Cold	5													
MTBL0379														
<b>Yes or No</b>														
Yes	▶	GO TO 5.												
No	▶	Replace auto amp.												

GI  
MA  
EM  
LC  
EC  
FE  
CL  
MT  
AT  
AX  
SU  
BR  
ST  
RS  
BT  
HA  
SC  
EL  
IDX

<b>5</b>	<b>CHECK CIRCUIT CONTINUITY BETWEEN AIR MIX DOOR MOTOR AND PUSH CONTROL UNIT</b>
<p>Check circuit continuity between air mix door motor harness terminal Nos. 5 (4) and push control unit harness terminal Nos. 32 (30).</p> <p style="color: blue;"><b>Continuity should exist.</b></p> <div style="text-align: center;"> </div> <p style="text-align: right;">RHA137H</p>	
<p>If OK, check harness for short.</p> <p style="text-align: center;"><b>OK or NG</b></p>	
OK	▶ Replace air mix door motor.
NG	▶ Repair harness or connector.



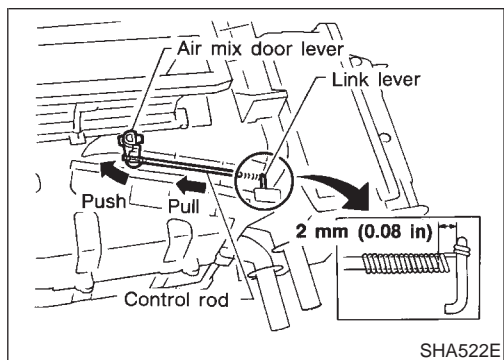
## CONTROL LINKAGE ADJUSTMENT

NCHA0143

### Air Mix Door

NCHA0143S01

1. Install air mix door motor on heater unit and connect it to the air mix door motor harness.
2. Set PTC at full cool and air mix door motor at "full cold".
3. Move air mix door lever by hand and hold it at the full-cold position.
4. Attach air mix door lever to rod holder.
5. Check that air mix door operates properly when PTC is moved from full cool to full hot.



### Water Cock Control Rod

NCHA0143S02

- Remove the air mix door motor before adjusting water cock control rod.

1. Push air mix door lever in direction of arrow.
2. Pull control rod of water cock in direction of arrow so as to make clearance of about 2 mm (0.08 in) between ends of rod and link lever and connect the rod to door lever.

**After connecting control rod, check it operates properly.**

**Blower Motor**

**TROUBLE DIAGNOSIS PROCEDURE FOR BLOWER MOTOR**

=NCHA0145

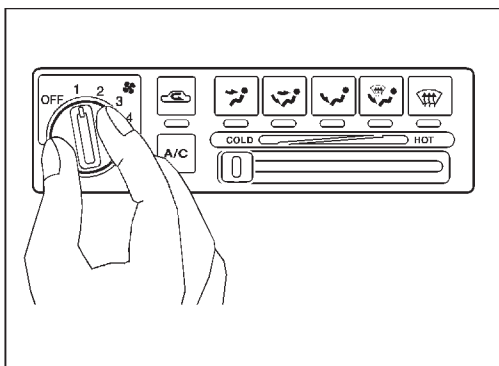
**SYMPTOM:**

- Blower motor does not rotate at all.

**INSPECTION FLOW**

GI  
MA  
EM  
LC  
EC  
FE  
CL  
MT  
AT  
AX  
SU  
BR  
ST  
RS  
BT  
HA  
SC  
EL  
IDX

1. Confirm symptom by performing the following operational check.



**OPERATIONAL CHECK – Blower motor**

- 1) Turn fan switch to 1-speed.  
Blower should operate on 1-speed.
- 2) Then turn fan switch to 2-speed.
- 3) Continue checking blower speed until all four speeds are checked.
- 4) Leave blower on 4-speed.

**If OK (symptom cannot be duplicated), perform complete operational check (\*4).**  
**If NG (symptom is confirmed), continue with STEP-2 following.**

2. Check for any service bulletins.

3. Check blower motor circuit. (\*1)

OK

If the symptom still exist, perform a complete operational check (\*2) and check for other symptoms.  
[Refer to symptom table, (\*3).]  
Does another symptom exist?

Yes

Go to Trouble Diagnosis for related symptom.

[Another symptom exists.]

NO

INSPECTION END

SHA185F

\*1: HA-168  
\*2: HA-148

\*3: HA-147

\*4: HA-148

**BLOWER MOTOR CIRCUIT**

=NCHA0147

**SYMPTOM:**

- Blower motor does not rotate.

Symptom table No.	INCIDENT
1	Fan fails to rotate.
2	Fan does not rotate at 1-speed.
3	Fan does not rotate at 2-speed.
4	Fan does not rotate at 3-speed.
5	Fan does not rotate at 4-speed.

1		DIAGNOSTIC PROCEDURE
Check if blower motor rotates properly at each fan speed. Conduct checks as per symptom table at above.		
1	▶	GO TO 2.
2, 3, 4	▶	GO TO 8.
5	▶	GO TO 10.

2		CHECK POWER SUPPLY FOR BLOWER MOTOR
1. Disconnect blower motor harness connector. 2. Do approx. 12 volts exist between blower motor harness terminal No. 1 and body ground?		
<p>Blower motor connector (M78)</p>		
Yes or No		
Yes	▶	GO TO 3.
No	▶	Check 15A (Nos. 1 and 2) fuses at fuse block. Refer to EL-14, "Wiring Diagram — POWER —".

RHA343FB

<b>3</b>	<b>CHECK CIRCUIT CONTINUITY FOR BLOWER MOTOR</b>	
<p>1. Turn fan control knob to any position except OFF.                  2. Check circuit continuity between blower motor harness terminal No. 2 and body ground.  <b>Continuity should exist.</b></p>		
RHA344FB		
<b>OK or NG</b>		
OK	▶	GO TO 4.
NG	▶	Reconnect blower motor harness connector. GO TO 5.

GI  
MA  
EM  
LC  
EC  
FE  
CL

<b>4</b>	<b>CHECK BLOWER MOTOR</b>	
<p>(Refer to Electrical Components Inspection.)                  (HA-173)</p>		
<b>OK or NG</b>		
OK	▶	INSPECTION END
NG	▶	Replace blower motor.

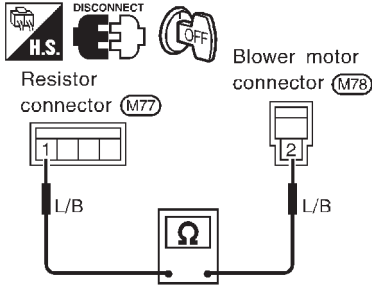
MT  
AT  
AX

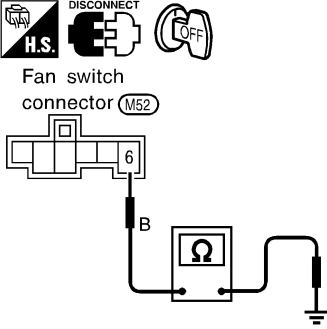
<b>5</b>	<b>CHECK BLOWER MOTOR CIRCUIT BETWEEN BLOWER MOTOR AND RESISTOR</b>	
<p>Do approx. 12 volts exist between resistor harness terminal No. 1 and body ground?</p>		
RHA575FA		
<b>Yes or No</b>		
Yes	▶	Disconnect fan switch harness connector. GO TO 7.
No	▶	Disconnect blower motor and resistor harness connectors. GO TO 6.

SU  
BR  
ST  
RS  
BT  
HA

SC  
EL  
IDX

Blower Motor (Cont'd)

<b>6</b>	<b>CHECK CIRCUIT CONTINUITY BETWEEN BLOWER MOTOR AND RESISTOR</b>	
Check circuit continuity between blower motor harness terminal No. 2 and resistor harness terminal No. 1. <b>Continuity should exist.</b>		
		
RHA576FA		
<b>OK or NG</b>		
OK	▶	Check harness for short.
NG	▶	Repair harness or connector.

<b>7</b>	<b>CHECK GROUND CIRCUIT FOR FAN SWITCH</b>	
Check circuit continuity between fan switch harness terminal No. 6 and body ground.		
		
RHA583H		
<b>OK or NG</b>		
OK	▶	GO TO 8.
NG	▶	Repair harness or connector.

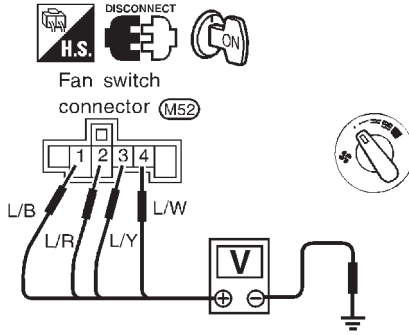
<b>8</b>	<b>CHECK RESISTOR AFTER DISCONNECTING IT</b>	
(Refer to Electrical Components Inspection.) (HA-173)		
<b>OK or NG</b>		
OK	▶	GO TO 9.
NG	▶	Replace resistor.

<b>9</b>	<b>CHECK RESISTOR HARNESS CONNECTOR</b>	
Reconnect resistor harness connector.		
<b>OK or NG</b>		
1	▶	GO TO 12.
2, 3, 4	▶	GO TO 10.



**10 CHECK FAN SWITCH CIRCUIT**

Do approx. 12 volts exist between each fan switch harness terminal and body ground?



RHA122H

Symptom table No.	Terminal No.		Voltage
	(+)	(-)	
2	4	Body ground	Approx. 12V
3	3		
4	2		
5	1		

MTBL0380

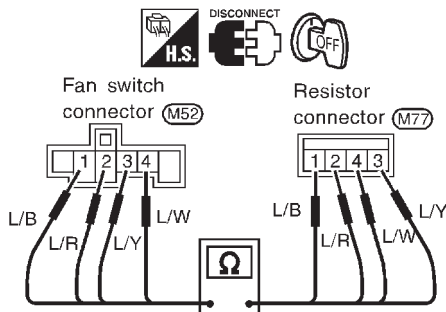
**Yes or No**

- |     |   |           |
|-----|---|-----------|
| Yes | ▶ | GO TO 12. |
| No  | ▶ | GO TO 11. |

GI  
 MA  
 EM  
 LC  
 EC  
 FE  
 CL  
 MT  
 AT  
 AX  
 SU  
 BR  
 ST  
 RS  
 BT  
**HA**  
 SC  
 EL  
 IDX

Blower Motor (Cont'd)

**11 CHECK CIRCUIT CONTINUITY BETWEEN FAN SWITCH HARNESS TERMINAL AND RESISTOR HARNESS TERMINAL**



RHA123H

Terminal No.		Continuity
Fan Switch	Resistor	
1	1	Yes
2	2	
3	3	
4	4	

MTBL0381

**OK or NG**

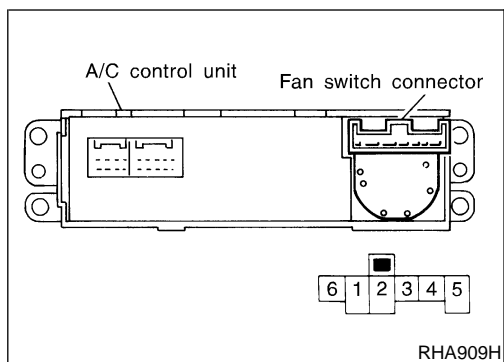
OK	▶	Check harness for short.
NG	▶	Repair harness or connector.

**12 CHECK FAN SWITCH AFTER DISCONNECTING IT**

(Refer to Electrical Components Inspection.)  
(HA-173)

**OK or NG**

OK	▶	INSPECTION END
NG	▶	Replace fan switch.



**ELECTRICAL COMPONENTS INSPECTION**

=NCHA0146

**Fan Switch**

NCHA0146S01

Check continuity between terminals at each switch position.

KNOB POSITION	Continuity between terminals
OFF	No continuity
1	4 — 5 — 6
2	3 — 5 — 6
3	2 — 5 — 6
4	1 — 5 — 6

GI

MA

EM

LC

EC

FE

CL

MT

**Blower Motor**

NCHA0146S02

Confirm smooth rotation of the blower motor.

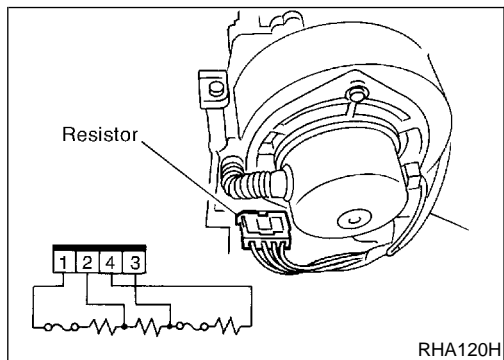
- Ensure that there are no foreign particles inside the intake unit.

AT

AX

SU

BR



**Blower Resistor**

NCHA0146S03

Check resistance between terminals.

Terminal No.		Resistance
(+)	(-)	
3	1	Approx. 1.4 - 1.6Ω
4		Approx. 2.5 - 2.8Ω
2		Approx. 0.5 - 0.6Ω

ST

RS

BT

**HA**

SC

EL

IDX

Magnet Clutch

TROUBLE DIAGNOSIS PROCEDURE FOR MAGNET CLUTCH

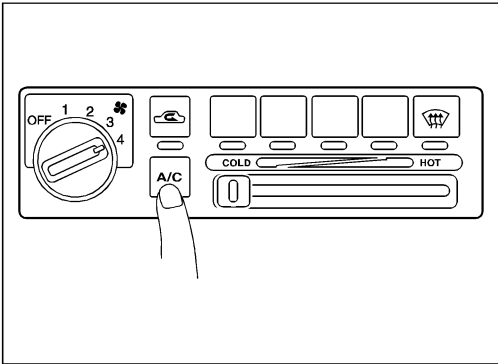
=NCHA0155

SYMPTOM:

- Magnet clutch does not operate when A/C switch and fan switch are ON.

INSPECTION FLOW

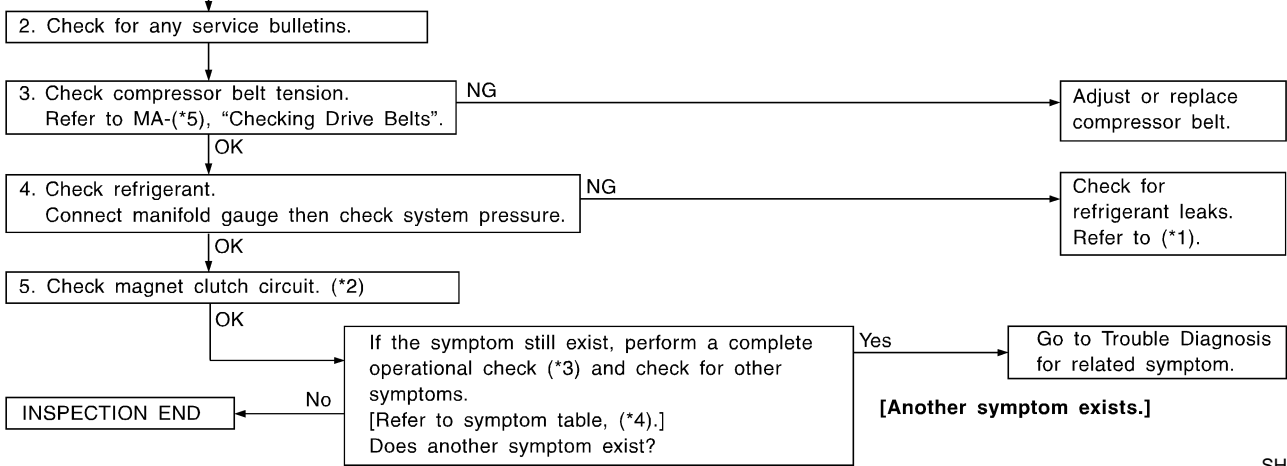
1. Confirm symptom by performing the following operational check.



**OPERATIONAL CHECK – A/C switch**

Turn fan switch to the desired (1 to 4-speed) position and push the air conditioner switch to turn ON the air conditioner. The indicator light should come on when air conditioner is ON.

**If OK (symptom cannot be duplicated), perform complete operational check. (\*3)**  
**If NG (symptom is confirmed), continue with STEP-2 following.**



SHA359F

\*1: HA-204  
\*2: HA-175

\*3: HA-148  
\*4: HA-147

\*5: MA-13

## MAGNET CLUTCH CIRCUIT

=NCHA0156

### SYMPTOM:

- Magnet clutch does not engage when A/C switch and fan switch are ON.

GI

MA

EM

LC

EC

FE

CL

MT

AT

AX

SU

BR

ST

RS

BT

**HA**

SC

EL

IDX

<b>1</b>	<b>CHECK POWER SUPPLY FOR COMPRESSOR</b>	
<p>Disconnect compressor harness connector. Do approx. 12 volts exist between compressor harness terminal No. 1 and body ground?</p>		
<p style="text-align: center;">Compressor connector (E108)</p>		
RHA747FG		
<b>Yes or No</b>		
Yes	▶	GO TO 2.
No	▶	Disconnect A/C relay. GO TO 3.

<b>2</b>	<b>CHECK MAGNET CLUTCH COIL</b>	
<b>OK or NG</b>		
NG	▶	Replace magnet clutch. Refer to HA-197.

<b>3</b>	<b>CHECK CIRCUIT CONTINUITY BETWEEN A/C RELAY AND COMPRESSOR HARNESS</b>	
<p>Check circuit continuity between A/C relay harness terminal No. 3 and compressor harness terminal No. 1. <b>Continuity should exist.</b></p>		
<p style="text-align: center;">Compressor connector (E108)      A/C relay connector (E38)</p>		
RHA127H		
<p>If OK, check harness for short.</p> <p style="text-align: center;"><b>OK or NG</b></p>		
OK	▶	GO TO 4.
NG	▶	Repair harness or connector.

Magnet Clutch (Cont'd)

<b>4</b>	<b>CHECK POWER SUPPLY FOR A/C RELAY</b>	
Disconnect A/C relay. Do approx. 12 volts exist between A/C relay harness terminal Nos. 1, 5 and body ground?		
RHA062H		
<b>Yes or No</b>		
Yes	▶	GO TO 5.
No	▶	Check power supply circuit and 10A (No. 6) fuse at fuse block. Refer to EL-14, "Wiring Diagram — POWER —".

<b>5</b>	<b>CHECK A/C RELAY AFTER DISCONNECTING IT</b>	
Refer to HA-180.		
<b>OK or NG</b>		
OK	▶	Reconnect A/C relay. GO TO 6.
NG	▶	Replace A/C relay.

<b>6</b>	<b>CHECK COIL SIDE CIRCUIT OF A/C RELAY</b>	
Do approx. 12 volts exist between ECM harness terminal No. 23 and body ground?		
RHA534H		
<b>Yes or No</b>		
Yes	▶	GO TO 8.
No	▶	Disconnect A/C relay. Disconnect ECM harness connector. GO TO 7.

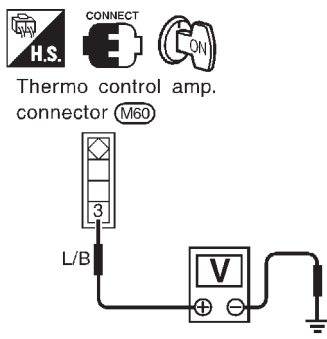
<b>7</b>	<b>CHECK CIRCUIT CONTINUITY BETWEEN A/C RELAY AND ECM HARNESS</b>	<p>Check circuit continuity between A/C relay harness terminal No. 2 and ECM harness terminal No. 23.  <b>Continuity should exist.</b></p> <div style="text-align: center;"> </div> <p style="text-align: right;">RHA535H</p> <p style="text-align: center;"><b>OK or NG</b></p>	GI MA EM LC EC FE CL						
<table border="1" style="width: 100%; border-collapse: collapse;"> <tr> <td style="width: 10%;">OK</td> <td style="width: 10%; text-align: center;">▶</td> <td>Check ECM. Refer to EC-134, "ECM Terminals and Reference Value".</td> </tr> <tr> <td>NG</td> <td style="text-align: center;">▶</td> <td>Repair harness or connector.</td> </tr> </table>		OK	▶	Check ECM. Refer to EC-134, "ECM Terminals and Reference Value".	NG	▶	Repair harness or connector.		
OK	▶	Check ECM. Refer to EC-134, "ECM Terminals and Reference Value".							
NG	▶	Repair harness or connector.							

<b>8</b>	<b>CHECK VOLTAGE FOR ECM</b>	<p>Do approx. 12 volts exist between ECM harness terminal No. 44 and body ground?</p> <div style="text-align: center;"> </div> <p style="text-align: right;">RHA536HD</p> <p style="text-align: center;"><b>Yes or No</b></p>	MT AT AX SU BR						
<table border="1" style="width: 100%; border-collapse: collapse;"> <tr> <td style="width: 10%;">Yes</td> <td style="width: 10%; text-align: center;">▶</td> <td>GO TO 9.</td> </tr> <tr> <td>No</td> <td style="text-align: center;">▶</td> <td>Check ECM. Refer to EC-134, "ECM Terminals and Reference Value".</td> </tr> </table>		Yes	▶	GO TO 9.	No	▶	Check ECM. Refer to EC-134, "ECM Terminals and Reference Value".		ST
Yes	▶	GO TO 9.							
No	▶	Check ECM. Refer to EC-134, "ECM Terminals and Reference Value".							

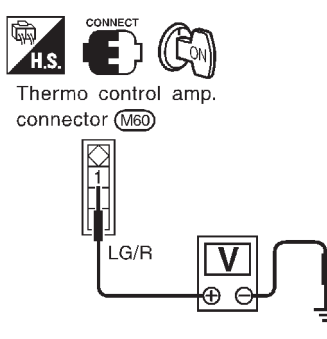
<b>9</b>	<b>CHECK REFRIGERANT PRESSURE SENSOR</b>	<p>Refer to HA-181.</p> <p style="text-align: center;"><b>OK or NG</b></p>	RS BT						
<table border="1" style="width: 100%; border-collapse: collapse;"> <tr> <td style="width: 10%;">OK</td> <td style="width: 10%; text-align: center;">▶</td> <td>GO TO 10.</td> </tr> <tr> <td>NG</td> <td style="text-align: center;">▶</td> <td>Replace refrigerant pressure sensor.</td> </tr> </table>		OK	▶	GO TO 10.	NG	▶	Replace refrigerant pressure sensor.		<b>HA</b>
OK	▶	GO TO 10.							
NG	▶	Replace refrigerant pressure sensor.							

GI  
MA  
EM  
LC  
EC  
FE  
CL  
MT  
AT  
AX  
SU  
BR  
ST  
RS  
BT  
HA  
SC  
EL  
IDX

Magnet Clutch (Cont'd)

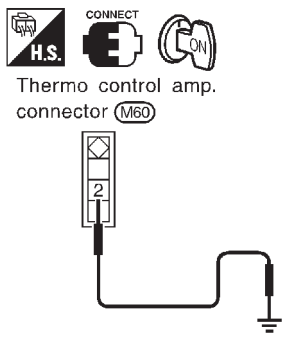
<b>10</b>	<b>CHECK POWER SUPPLY FOR THERMO CONTROL AMP.</b>	
Do approx. 12 volts exist between thermo control amp. harness terminal No. 3 and body ground?		
 <p style="text-align: center;">Thermo control amp. connector (M60)</p>		
<b>Yes or No</b>		
Yes	▶	GO TO 11.
No	▶	Repair harness or connector.

RHA131H

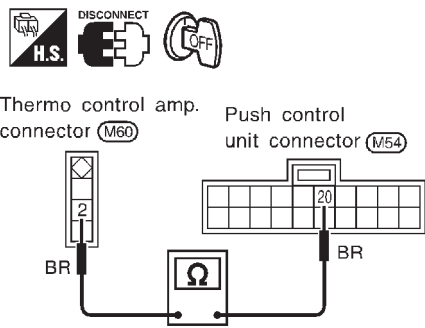
<b>11</b>	<b>CHECK POWER SUPPLY FOR THERMO CONTROL AMP.</b>	
Do approx. 12 volts exist between thermo control amp. harness terminal No. 1 and body ground?		
 <p style="text-align: center;">Thermo control amp. connector (M60)</p>		
<b>Yes or No</b>		
Yes	▶	GO TO 12.
No	▶	Check power supply circuit and 10A (No. 6) fuse at fuse block. Refer to EL-14, "Wiring Diagram — POWER —". <ul style="list-style-type: none"> <li>● If OK, check for open circuit in wiring harness. Repair or replace as necessary.</li> <li>● If NG, replace fuse and check wiring harness for short circuit. Repair or replace as necessary.</li> </ul>

RHA132H



<b>12</b>	<b>CHECK THERMO CONTROL AMP. OPERATION</b>	
<p>Reconnect thermo control amp. harness connector.                  Does magnet clutch engage when short circuit between thermo control amp. harness terminal No. 2 and body ground?</p>		
 <p style="text-align: center;">Thermo control amp. connector (M60)</p>		
<b>Yes or No</b>		
Yes	▶	GO TO 13.
No	▶	Repair thermo control amp.

RHA133H

<b>13</b>	<b>CHECK CIRCUIT CONTINUITY BETWEEN THERMO CONTROL AMP. AND PUSH CONTROL UNIT</b>	
<p>Reconnect push control unit harness connector.                  Check circuit continuity between thermo control amp. harness terminal No. 2 and push control unit harness terminal No. 20.</p> <p style="color: blue;"><b>Continuity should exist.</b></p>		
 <p style="text-align: center;">Thermo control amp. connector (M60)      Push control unit connector (M54)</p>		
<b>OK or NG</b>		
<b>If OK, check harness for short.</b>		
OK	▶	GO TO 14.
NG	▶	Repair harness or connector.

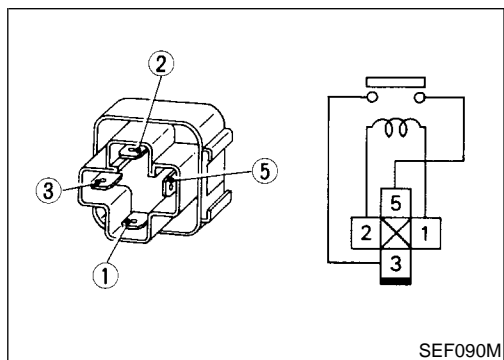
RHA134H

GI  
 MA  
 EM  
 LC  
 EC  
 FE  
 CL  
 MT  
 AT  
 AX  
 SU  
 BR  
 ST  
 RS  
 BT  
 HA  
 SC  
 EL  
 IDX

Magnet Clutch (Cont'd)

<b>14</b>	<b>CHECK FAN SWITCH</b>	<p>Reconnect fan switch harness connector. Do approx. 12 volts exist between fan switch harness terminal No. 6 and body ground?</p> <div style="text-align: center;"> <p>Fan switch harness connector (M52)</p> </div> <p style="text-align: right;">RHA588FA</p> <p style="text-align: center;"><b>Yes or No</b></p>	
Yes	▶	Replace fan switch.	
No	▶	GO TO 15.	

<b>15</b>	<b>CHECK CIRCUIT CONTINUITY BETWEEN FAN SWITCH AND PUSH CONTROL UNIT</b>	<p>Reconnect push control unit harness connector. Check circuit continuity between fan switch harness terminal No. 5 and push control unit harness terminal No. 19. <b>Continuity should exist.</b></p> <div style="text-align: center;"> <p>Fan switch harness connector (M52)      Push control unit connector (M54)</p> </div> <p style="text-align: right;">SHA367F</p> <p style="text-align: center;"><b>If OK, check harness for short.</b></p> <p style="text-align: center;"><b>OK or NG</b></p>	
OK	▶	Replace push control unit.	
NG	▶	Repair harness or connector.	



## ELECTRICAL COMPONENT INSPECTION

### A/C Relay

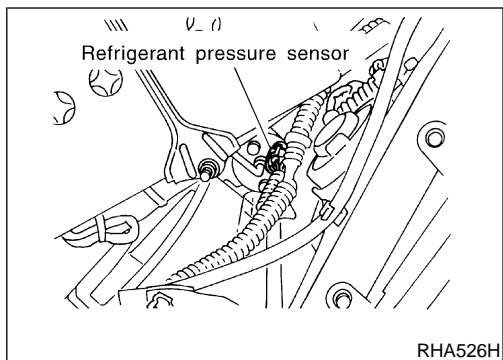
NCHA0192

NCHA0192S01

Check continuity between terminal Nos. 3 and 5.

Conditions	Continuity
12V direct current supply between terminal Nos. 1 and 2	Yes
No current supply	No

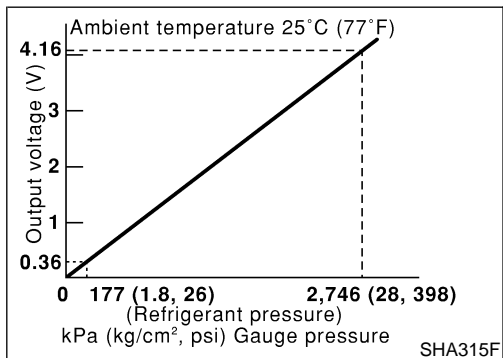
If NG, replace relay.



**Refrigerant Pressure Sensor**

Make sure that higher A/C refrigerant pressure results in higher refrigerant-pressure sensor output voltage. Refer to EC-621, "Diagnostic Procedure".

NCHA0192S02



GI

MA

EM

LC

EC

FE

CL

MT

AT

AX

SU

BR

ST

RS

BT

**HA**

SC

EL

IDX

Insufficient Cooling

TROUBLE DIAGNOSIS PROCEDURE FOR INSUFFICIENT COOLING

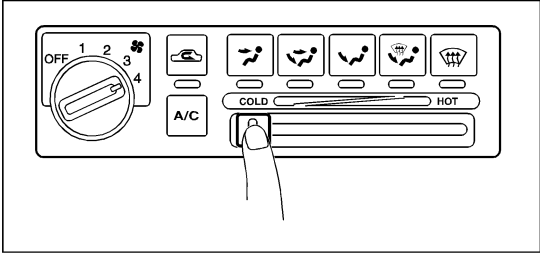
=NCHA0148

SYMPTOM:

- Insufficient Cooling.

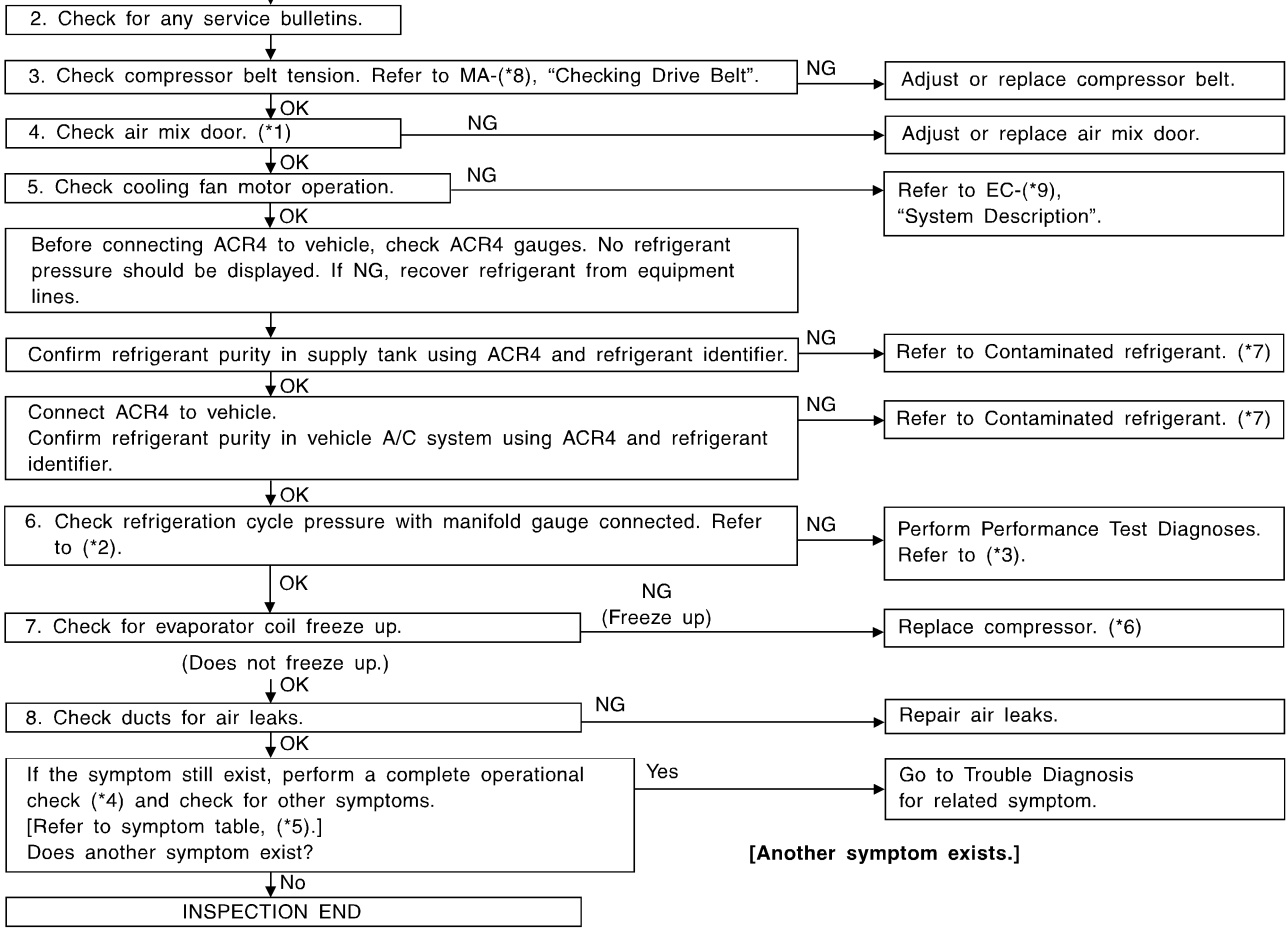
INSPECTION FLOW

1. Confirm symptom by performing the following operational check.



**OPERATIONAL CHECK – Temperature decrease**

- Slide temperature control lever to full cold.
- Check for cold air at discharge air outlets.



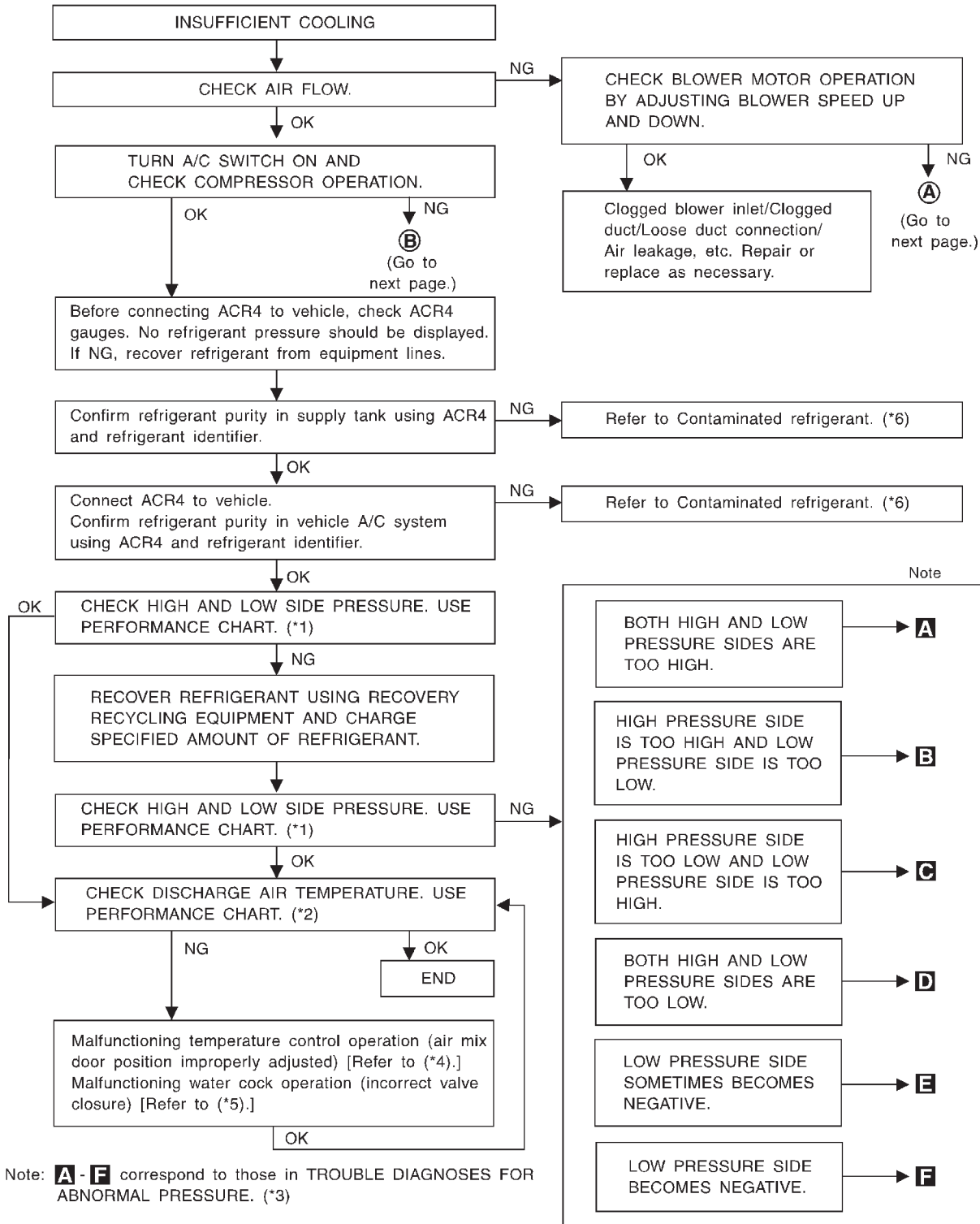
[Another symptom exists.]

SHA360F

- \*1: HA-162
- \*4: HA-148
- \*7: HA-124
- \*2: HA-185
- \*5: HA-147
- \*8: MA-13
- \*3: HA-183
- \*6: HA-196
- \*9: EC-462

## PERFORMANCE TEST DIAGNOSES

NCHA0149



Note: **A - F** correspond to those in TROUBLE DIAGNOSES FOR ABNORMAL PRESSURE. (\*3)

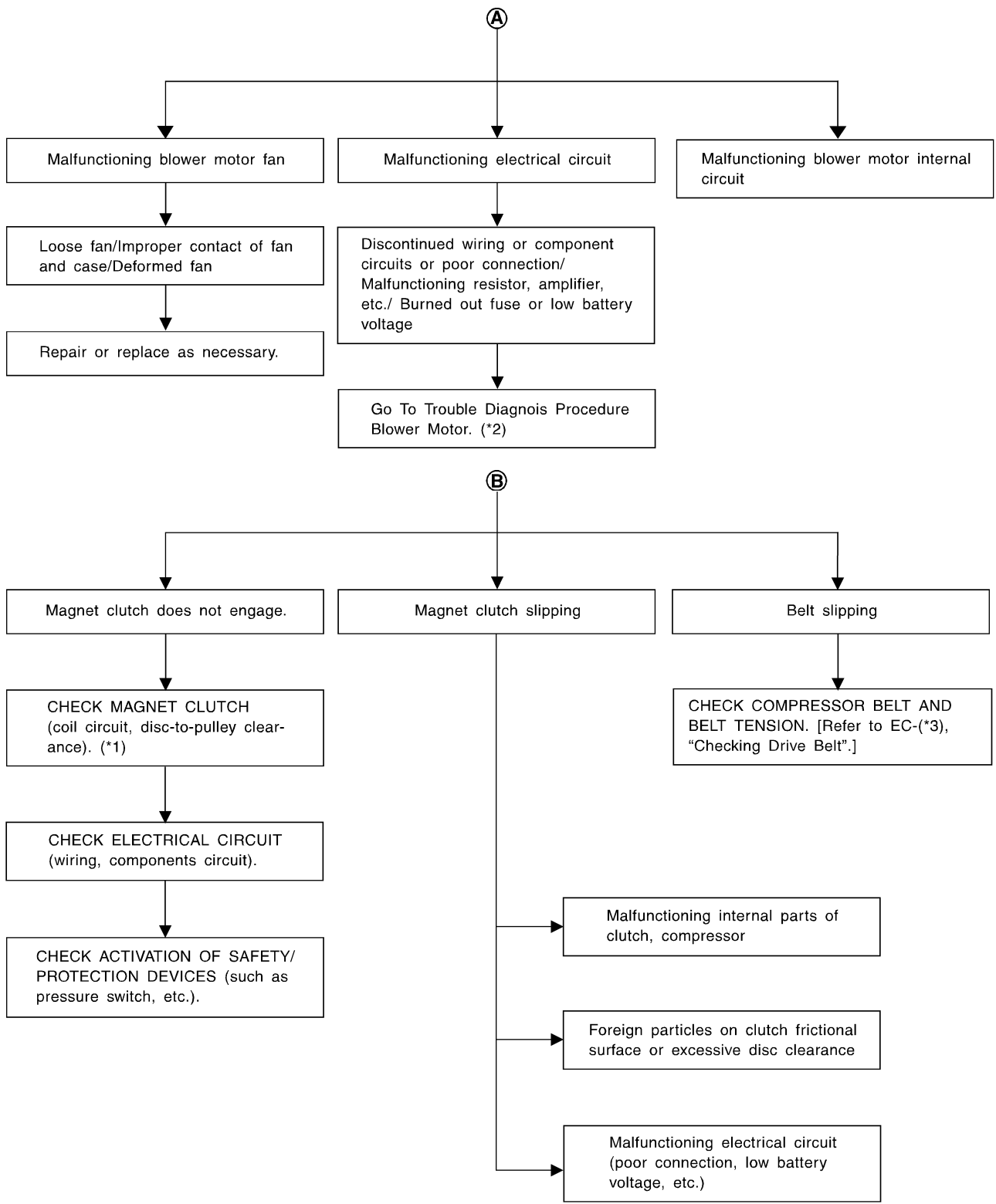
SHA194F

\*1: HA-185  
\*2: HA-185

\*3: HA-185  
\*4: HA-166

\*5: HA-166  
\*6: HA-124

GI  
MA  
EM  
LC  
EC  
FE  
CL  
MT  
AT  
AX  
SU  
BR  
ST  
RS  
BT  
HA  
SC  
EL  
IDX



SHA361F

\*1: HA-198

\*2: HA-167

\*3: MA-13

**PERFORMANCE CHART**

=NCHA0150

**Test Condition**

NCHA0150S01

**Testing must be performed as follows:**

Vehicle location: Indoors or in the shade (in a well-ventilated place)  
 Doors: Closed  
 Door window: Open  
 Hood: Open  
 TEMP.: Max. COLD  
 Discharge Air: Face Vent  
 REC switch: (Recirculation) set  
 FAN speed: High speed  
 Engine speed: Idle speed  
 Operate the air conditioning system for 10 minutes before taking measurements.

**Test Reading**

NCHA0150S02

**Recirculating-to-discharge Air Temperature Table**

NCHA0150S0201

Inside air (Recirculating air) at blower assembly inlet		Discharge air temperature at center ventilator °C (°F)
Relative humidity %	Air temperature °C (°F)	
50 - 60	25 (77)	10.9 - 12.9 (52 - 55)
	30 (86)	15.2 - 17.7 (59 - 64)
	35 (95)	19.4 - 22.5 (67 - 73)
60 - 70	25 (77)	12.9 - 15.0 (55 - 59)
	30 (86)	17.7 - 20.5 (64 - 69)
	35 (95)	22.5 - 25.2 (73 - 77)

**Ambient Air Temperature-to-operating Pressure Table**

NCHA0150S0202

Ambient air		High-pressure (Discharge side) kPa (kg/cm <sup>2</sup> , psi)	Low-pressure (Suction side) kPa (kg/cm <sup>2</sup> , psi)
Relative humidity %	Air temperature °C (°F)		
50 - 70	30 (86)	1,177 - 1,422 (12.0 - 14.5, 171 - 206)	216 - 255 (2.2 - 2.6, 31 - 37)
	35 (95)	1,344 - 1,648 (13.7 - 16.8, 195 - 239)	255 - 314 (2.6 - 3.2, 37 - 46)
	40 (104)	1,471 - 1,785 (15.0 - 18.2, 213 - 259)	304 - 382 (3.1 - 3.9, 44 - 55)

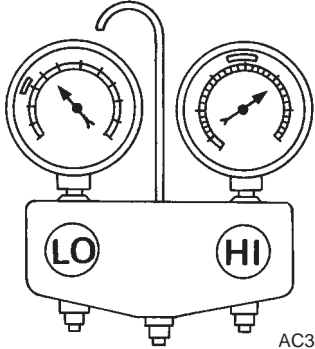
**TROUBLE DIAGNOSES FOR ABNORMAL PRESSURE**

NCHA0151

Whenever system's high and/or low side pressure is abnormal, diagnose using a manifold gauge. The marker above the gauge scale in the following tables indicates the standard (normal) pressure range. Since the standard (normal) pressure, however, differs from vehicle to vehicle, refer to HA-185 ("Ambient air temperature-to-operating pressure table").

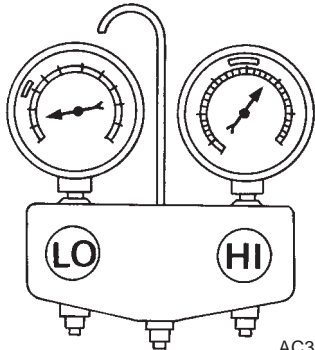
**Both High and Low-pressure Sides are Too High.**

NCHA0151S01

Gauge indication	Refrigerant cycle	Probable cause	Corrective action
<p>Both high and low-pressure sides are too high.</p> <p><b>A</b></p>  <p>AC359A</p>	<ul style="list-style-type: none"> <li>Pressure is reduced soon after water is splashed on condenser.</li> </ul>	<p>Excessive refrigerant charge in refrigeration cycle</p>	<p>Reduce refrigerant until specified pressure is obtained.</p>
	<p>Air suction by cooling fan is insufficient.</p>	<p>Insufficient condenser cooling performance</p> <p>↓</p> <ol style="list-style-type: none"> <li>Condenser fins are clogged.</li> <li>Improper fan rotation of cooling fan</li> </ol>	<ul style="list-style-type: none"> <li>Clean condenser.</li> <li>Check and repair cooling fan as necessary.</li> </ul>
	<ul style="list-style-type: none"> <li>Low-pressure pipe is not cold.</li> <li>When compressor is stopped high-pressure value quickly drops by approximately 196 kPa (2 kg/cm<sup>2</sup>, 28 psi). It then decreases gradually thereafter.</li> </ul>	<p>Poor heat exchange in condenser (After compressor operation stops, high pressure decreases too slowly.)</p> <p>↓</p> <p>Air in refrigeration cycle</p>	<p>Evacuate repeatedly and recharge system.</p>
	<p>Engine tends to overheat.</p>	<p>Engine cooling systems malfunction.</p>	<p>Check and repair each engine cooling system.</p>
	<ul style="list-style-type: none"> <li>An area of the low-pressure pipe is colder than areas near the evaporator outlet.</li> <li>Plates are sometimes covered with frost.</li> </ul>	<ul style="list-style-type: none"> <li>Excessive liquid refrigerant on low-pressure side</li> <li>Excessive refrigerant discharge flow</li> <li>Expansion valve is open a little compared with the specification.</li> </ul> <p>↓</p> <ol style="list-style-type: none"> <li>Improper thermal valve installation</li> <li>Improper expansion valve adjustment</li> </ol>	<p>Replace expansion valve.</p>

**High-pressure Side is Too High and Low-pressure Side is Too Low.**

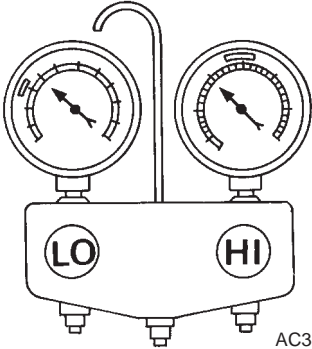
NCHA0151S02

Gauge indication	Refrigerant cycle	Probable cause	Corrective action
<p>High-pressure side is too high and low-pressure side is too low.</p> <p><b>B</b></p>  <p>AC360A</p>	<p>Upper side of condenser and high-pressure side are hot, however, liquid tank is not so hot.</p>	<p>High-pressure tube or parts located between compressor and condenser are clogged or crushed.</p>	<ul style="list-style-type: none"> <li>Check and repair or replace malfunctioning parts.</li> <li>Check lubricant for contamination.</li> </ul>



High-pressure Side is Too Low and Low-pressure Side is Too High.

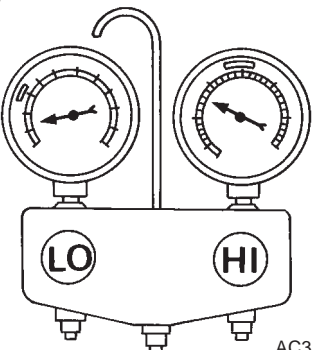
NCHA0151S03

Gauge indication	Refrigerant cycle	Probable cause	Corrective action
High-pressure side is too low and low-pressure side is too high. <b>C</b>  AC356A	High and low-pressure sides become equal soon after compressor operation stops.	Compressor pressure operation is improper. ↓ Damaged inside compressor packings	Replace compressor.
	No temperature difference between high and low-pressure sides	Compressor pressure operation is improper. ↓ Damaged inside compressor packings.	Replace compressor.

GI  
MA  
EM  
LC  
EC  
FE

Both High- and Low-pressure Sides are Too Low.

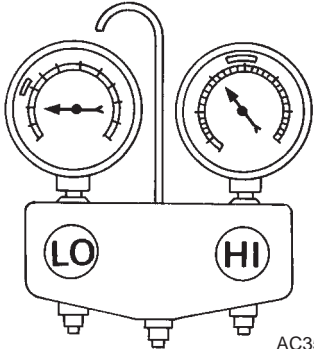
NCHA0151S04

Gauge indication	Refrigerant cycle	Probable cause	Corrective action
Both high- and low-pressure sides are too low. <b>D</b>  AC353A	<ul style="list-style-type: none"> <li>There is a big temperature difference between receiver drier outlet and inlet. Outlet temperature is extremely low.</li> <li>Liquid tank inlet and expansion valve are frosted.</li> </ul>	Liquid tank inside is slightly clogged.	<ul style="list-style-type: none"> <li>Replace liquid tank.</li> <li>Check lubricant for contamination.</li> </ul>
	<ul style="list-style-type: none"> <li>Temperature of expansion valve inlet is extremely low as compared with areas near liquid tank.</li> <li>Expansion valve inlet may be frosted.</li> <li>Temperature difference occurs somewhere in high-pressure side</li> </ul>	High-pressure pipe located between receiver drier and expansion valve is clogged.	<ul style="list-style-type: none"> <li>Check and repair malfunctioning parts.</li> <li>Check lubricant for contamination.</li> </ul>
	<ul style="list-style-type: none"> <li>Expansion valve and liquid tank are warm or only cool when touched.</li> </ul>	Low refrigerant charge ↓ Leaking fittings or components	Check refrigerant for leaks. Refer to "Checking for Refrigerant Leaks", HA-204.
	There is a big temperature difference between expansion valve inlet and outlet while the valve itself is frosted.	Expansion valve closes a little compared with the specification. ↓ 1. Improper expansion valve adjustment 2. Malfunctioning thermal valve 3. Outlet and inlet may be clogged.	<ul style="list-style-type: none"> <li>Remove foreign particles by using compressed air.</li> <li>Check lubricant for contamination.</li> </ul>
	An area of the low-pressure pipe is colder than areas near the evaporator outlet.	Low-pressure pipe is clogged or crushed.	<ul style="list-style-type: none"> <li>Check and repair malfunctioning parts.</li> <li>Check lubricant for contamination.</li> </ul>
	Air flow volume is not enough or is too low.	Evaporator is frozen.	<ul style="list-style-type: none"> <li>Check thermo control amp. operation.</li> <li>Replace compressor.</li> </ul>

CL  
MT  
AT  
AX  
SU  
BR  
ST  
RS  
BT  
HA  
SC  
EL  
IDX

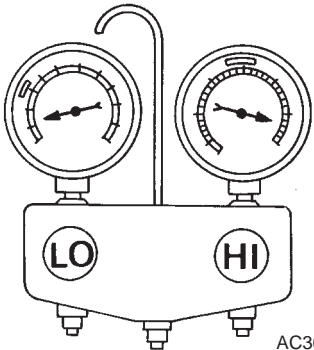
**Low-pressure Side Sometimes Becomes Negative.**

NCHA0151S05

Gauge indication	Refrigerant cycle	Probable cause	Corrective action
<p>Low-pressure side sometimes becomes negative.</p> <p><b>E</b></p>  <p>AC354A</p>	<ul style="list-style-type: none"> <li>• Air conditioning system does not function and does not cyclically cool the compartment air.</li> <li>• The system constantly functions for a certain period of time after compressor is stopped and restarted.</li> </ul>	<p>Refrigerant does not discharge cyclically.</p> <p>↓</p> <p>Moisture is frozen at expansion valve outlet and inlet.</p> <p>↓</p> <p>Water is mixed with refrigerant.</p>	<ul style="list-style-type: none"> <li>• Drain water from refrigerant or replace refrigerant.</li> <li>• Replace liquid tank.</li> </ul>

**Low-pressure Side Becomes Negative.**

NCHA0151S06

Gauge indication	Refrigerant cycle	Probable cause	Corrective action
<p>Low-pressure side becomes negative.</p> <p><b>F</b></p>  <p>AC362A</p>	<p>Liquid tank or front/rear side of expansion valve's pipe is frosted or dewed.</p>	<p>High-pressure side is closed and refrigerant does not flow.</p> <p>↓</p> <p>Expansion valve or liquid tank is frosted.</p>	<p>Leave the system at rest until no frost is present. Start it again to check whether or not the problem is caused by water or foreign particles.</p> <ul style="list-style-type: none"> <li>• If water is the cause, initially cooling is okay. Then the water freezes causing a blockage. Drain water from refrigerant or replace refrigerant.</li> <li>• If due to foreign particles, remove expansion valve and remove particles with dry and compressed air (not shop air).</li> <li>• If either of the above methods cannot correct the problem, replace expansion valve.</li> <li>• Replace liquid tank.</li> <li>• Check lubricant for contamination.</li> </ul>

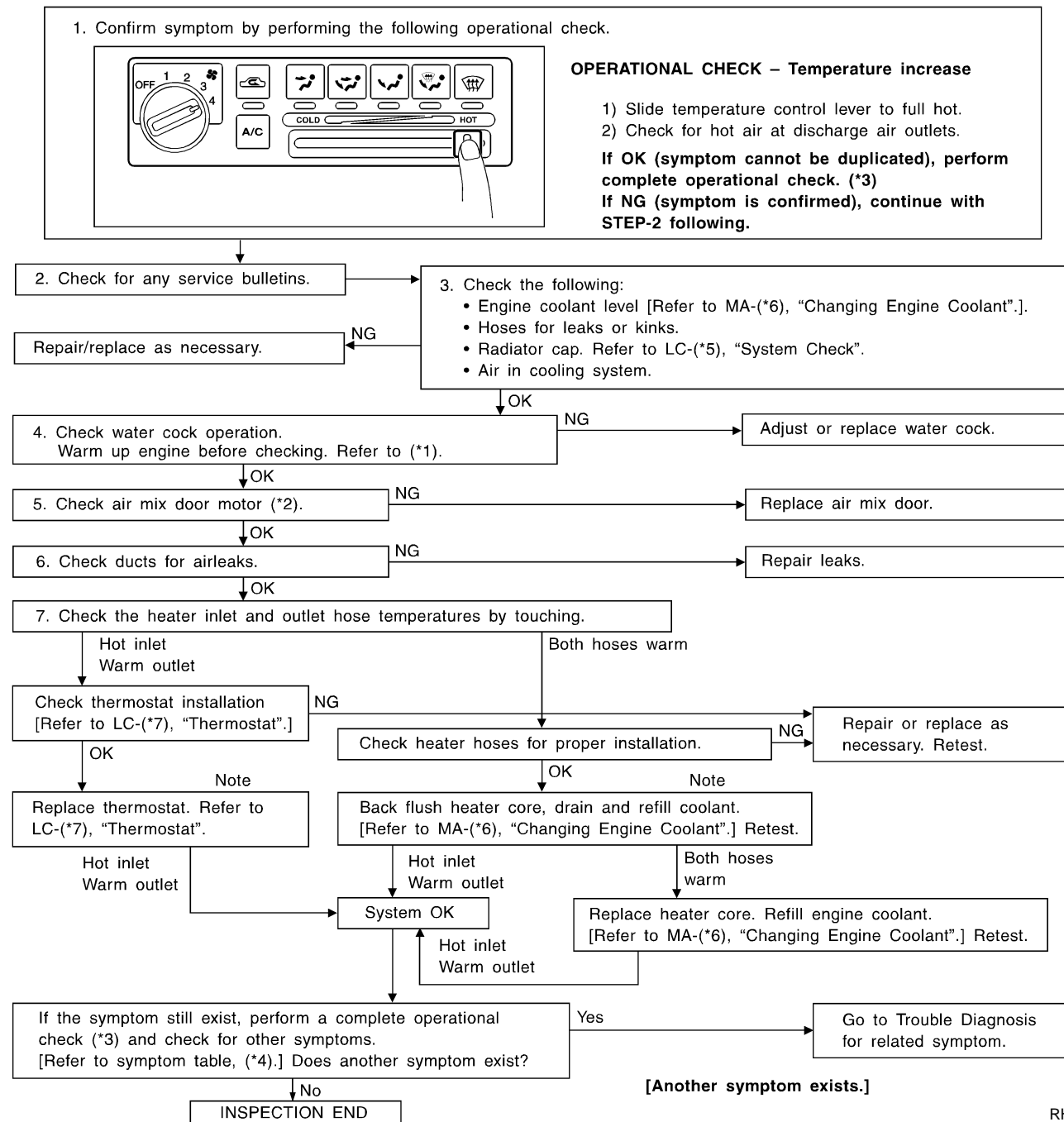
## Insufficient Heating

### TROUBLE DIAGNOSIS PROCEDURE FOR INSUFFICIENT HEATING

=NCHA0152

**SYMPTOM: Insufficient heating.**

#### INSPECTION FLOW



\*1: HA-166  
\*2: HA-162  
\*3: HA-148

\*4: HA-147  
\*5: LC-9

\*6: MA-14  
\*7: LC-12

RHA537H

Noise

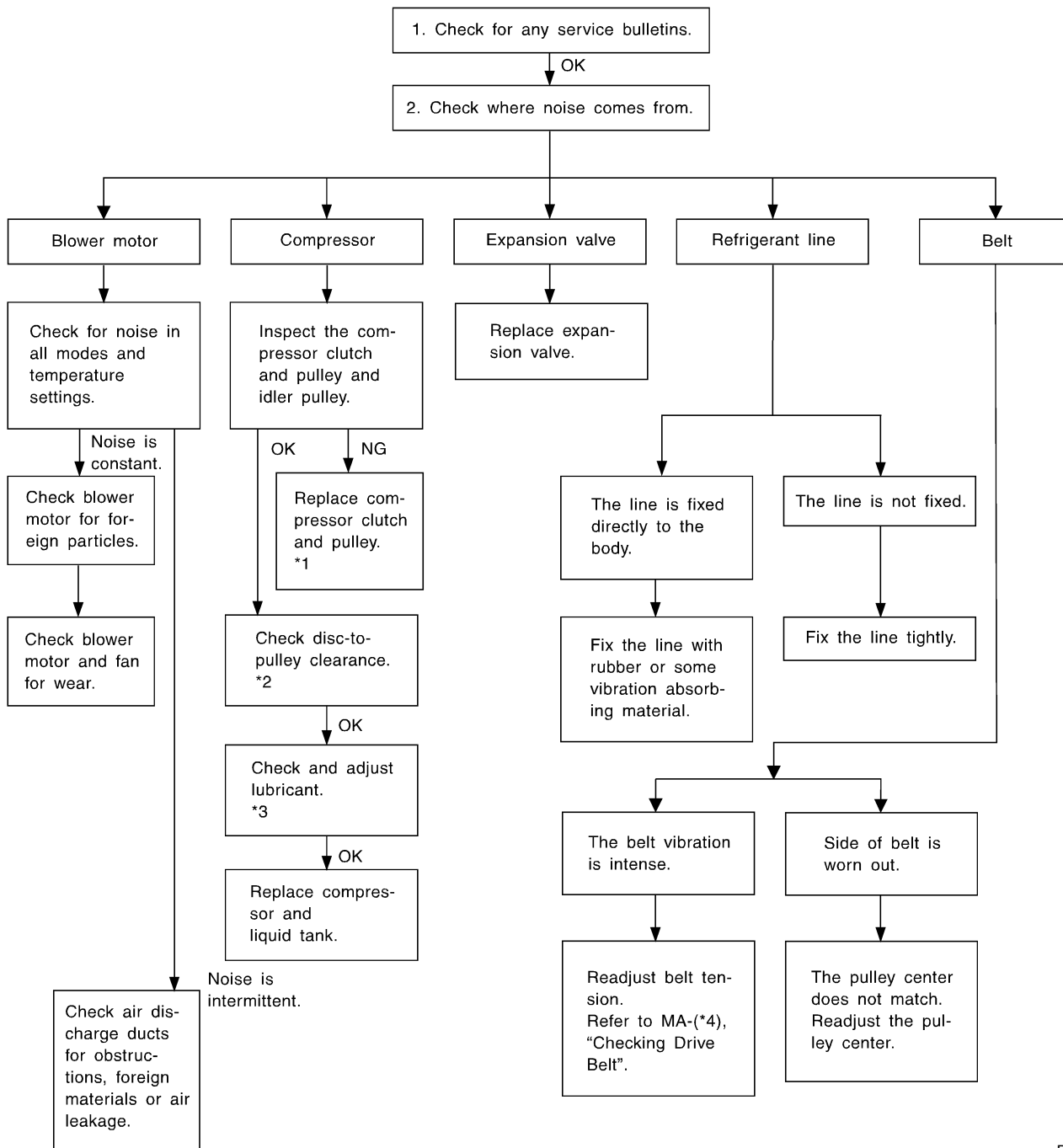
TROUBLE DIAGNOSIS PROCEDURE FOR NOISE

=NCHA0158

SYMPTOM:

- Noise

INSPECTION FLOW



RHA538H

\*1: HA-197  
\*2: HA-198

\*3: HA-193

\*4: MA-13

HFC-134a (R-134a) Service Procedure

NCHA0159

NCHA0159S01

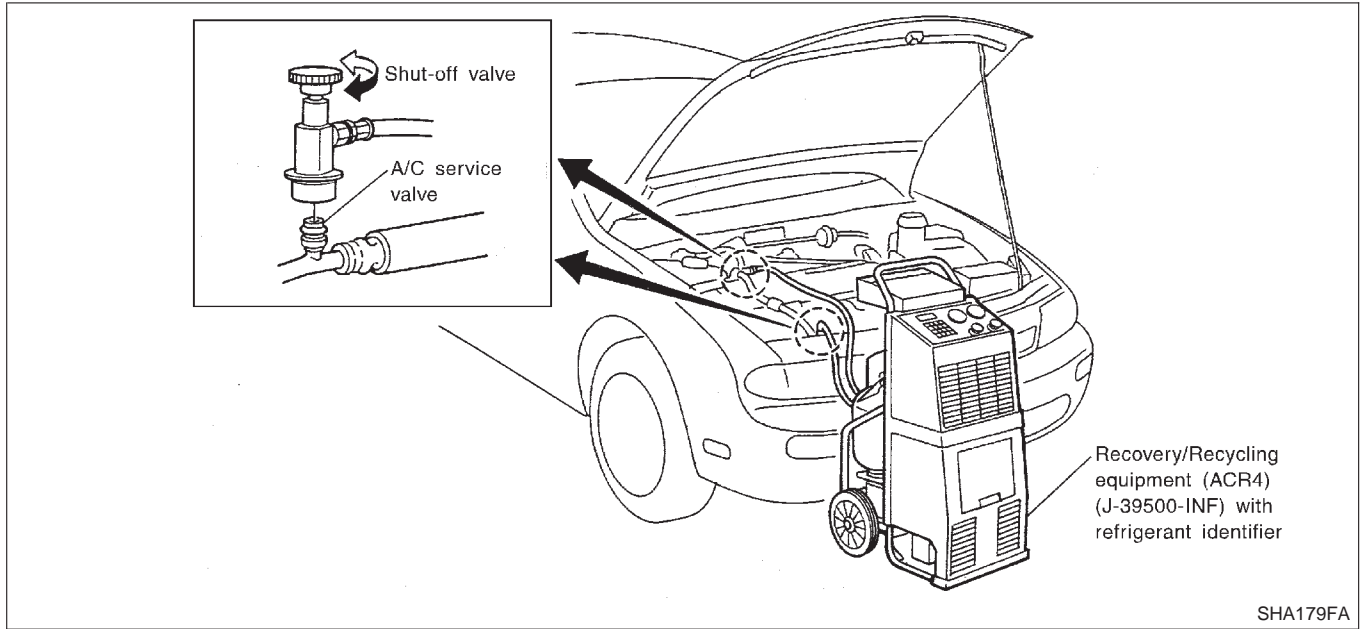
NCHA0159S0101

SETTING OF SERVICE TOOLS AND EQUIPMENT

Discharging Refrigerant

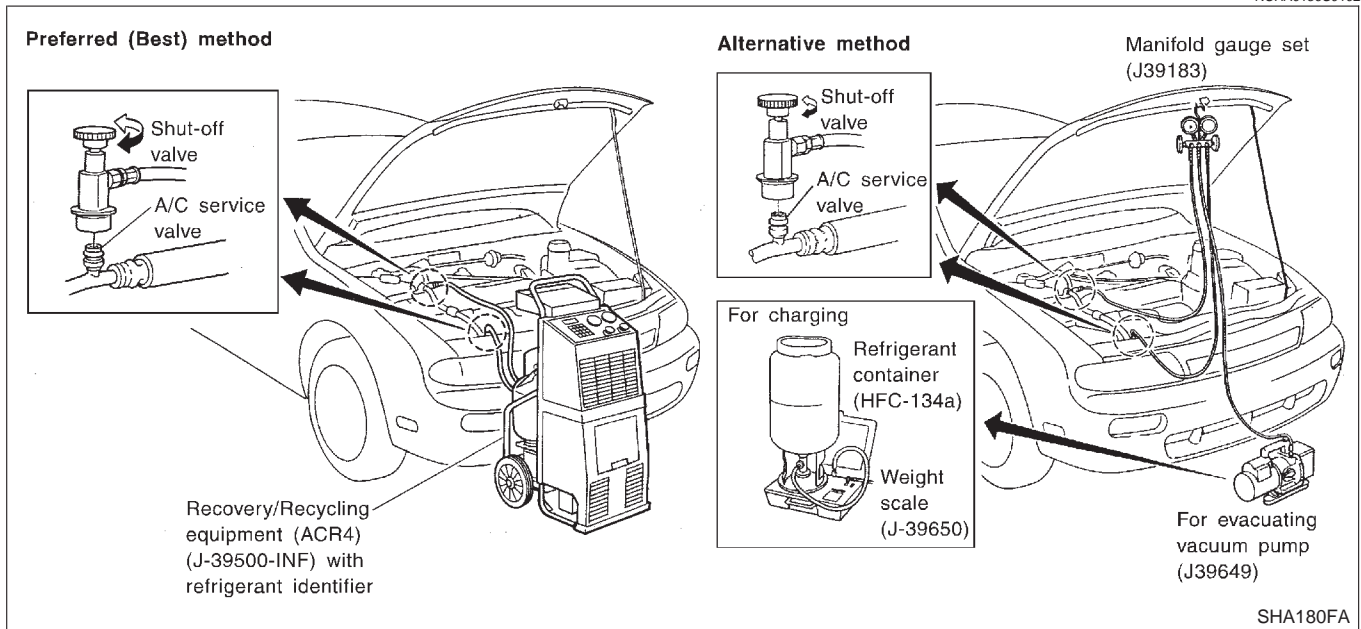
**WARNING:**

Avoid breathing A/C refrigerant and lubricant vapor or mist. Exposure may irritate eyes, nose and throat. Remove HFC-134a (R-134a) from A/C system using certified service equipment meeting requirements of SAE J2210 (R-134a recycling equipment) or J2209 (R-134a recovery equipment). If accidental system discharge occurs, ventilate work area before resuming service. Additional health and safety information may be obtained from refrigerant and lubricant manufacturers.

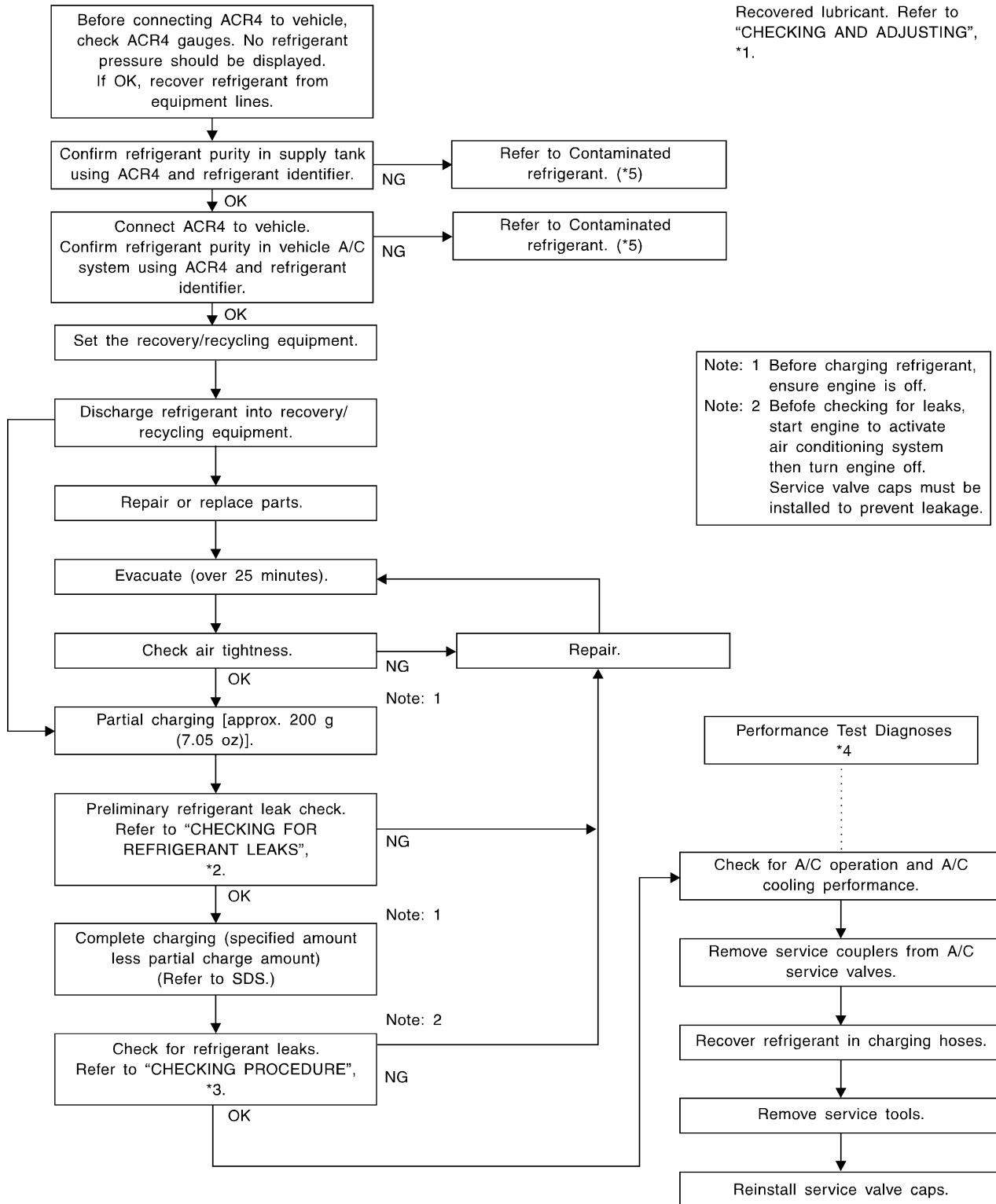


Evacuating System and Charging Refrigerant

NCHA0159S0102



Recovered lubricant. Refer to "CHECKING AND ADJUSTING", \*1.



\*1: HA-193  
\*2: HA-204

\*3: HA-206  
\*4: HA-183

\*5: HA-124

## Maintenance of Lubricant Quantity in Compressor

NCHA0160

The lubricant in the compressor circulates through the system with the refrigerant. Add lubricant to compressor when replacing any component or after a large gas leakage occurred. It is important to maintain the specified amount.

If lubricant quantity is not maintained properly, the following malfunctions may result:

- Lack of lubricant: May lead to a seized compressor
- Excessive lubricant: Inadequate cooling (thermal exchange interference)

### LUBRICANT

NCHA0160S01

Name: Nissan A/C System Oil Type R  
Part number: KLH00-PAGRO

### CHECKING AND ADJUSTING

NCHA0160S02

Adjust the lubricant quantity according to the test group shown below.

<b>1</b>	<b>LUBRICANT RETURN OPERATION</b>	
Can lubricant return operation be performed?		
<ul style="list-style-type: none"> <li>● A/C system works properly.</li> <li>● There is no evidence of a large amount of lubricant leakage.</li> </ul>		
<b>Yes or No</b>		
Yes	▶	GO TO 2.
No	▶	GO TO 3.

<b>2</b>	<b>PERFORM LUBRICANT RETURN OPERATION, PROCEEDING AS FOLLOWS</b>	
1. Start engine, and set the following conditions:		
<ul style="list-style-type: none"> <li>● <b>Test condition</b></li> </ul>		
Engine speed: Idling to 1,200 rpm		
A/C or AUTO switch: ON		
Blower speed: Max. position		
Temp. control: Optional [Set so that intake air temperature is 25 to 30°C (77 to 86°F).]		
2. Perform lubricant return operation for about 10 minutes.		
3. Stop engine.		
<b>CAUTION:</b>		
If excessive lubricant leakage is noted, do not perform the lubricant return operation.		
	▶	GO TO 3.

<b>3</b>	<b>CHECK COMPRESSOR</b>	
Should the compressor be replaced?		
<b>Yes or No</b>		
Yes	▶	GO TO HA-195.
No	▶	GO TO 4.

GI  
MA  
EM  
LC  
EC  
FE  
CL  
MT  
AT  
AX  
SU  
BR  
ST  
RS  
BT  
HA  
SC  
EL  
IDX

*Maintenance of Lubricant Quantity in Compressor (Cont'd)*

<b>4</b>	<b>CHECK ANY PART</b>
Is there any part to be replaced? (Evaporator, condenser, liquid tank or in case there is evidence of a large amount of lubricant leakage.)	
<b>Yes or No</b>	
Yes	▶ GO TO HA-195.
No	▶ Carry out the A/C performance test.



**Lubricant Adjusting Procedure for Components Replacement Except Compressor**

=NCHA0160S0201

After replacing any of the following major components, add the correct amount of lubricant to the system.

**Amount of lubricant to be added**

Part replaced	Lubricant to be added to system	Remarks
	Amount of lubricant mℓ (US fl oz, Imp fl oz)	
Evaporator	75 (2.5, 2.6)	—
Condenser	75 (2.5, 2.6)	—
Liquid tank	5 (0.2, 0.2)	Add if compressor is not replaced. *1
In case of refrigerant leak	30 (1.0, 1.1)	Large leak
	—	Small leak *2

\*1: If compressor is replaced, addition of lubricant is included in the table.

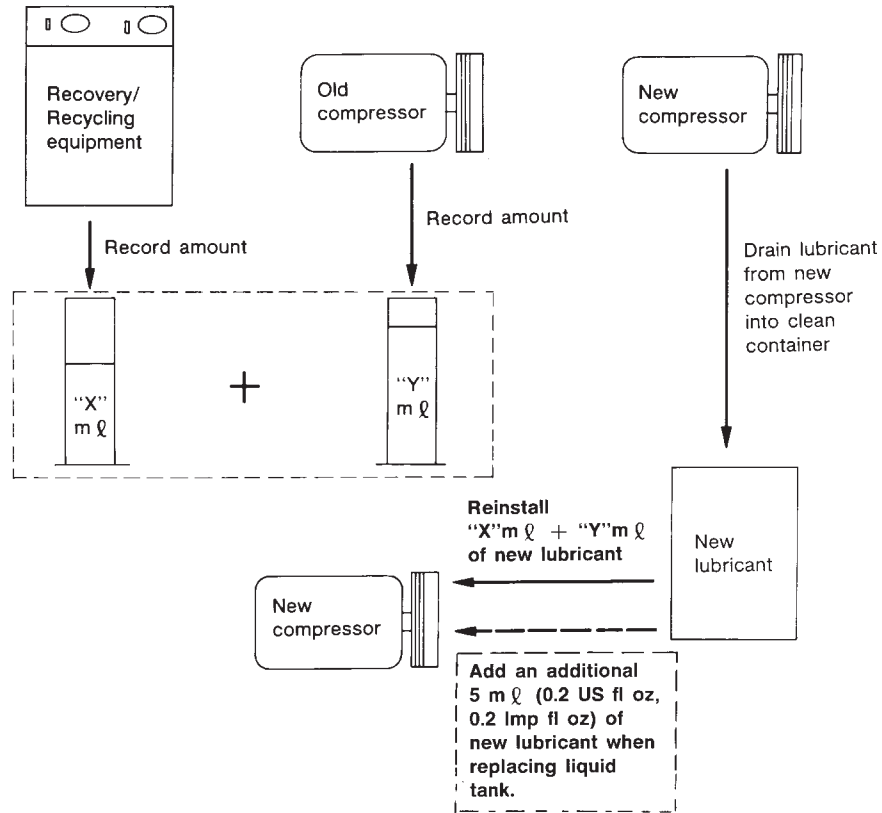
\*2: If refrigerant leak is small, no addition of lubricant is needed.

**Lubricant Adjustment Procedure for Compressor Replacement**

NCHA0160S0202

1. Before connecting ACR4 to vehicle, check ACR4 gauges. No refrigerant pressure should be displayed. If OK, recover refrigerant from equipment lines.
2. Confirm refrigerant purity in supply tank using ACR4 and refrigerant identifier. If NG, refer to "CONTAMINATED REFRIGERANT", HA-124.
3. Connect ACR4 to vehicle. Confirm refrigerant purity in vehicle A/C system using ACR4 and refrigerant identifier. If NG, refer to "CONTAMINATED REFRIGERANT", HA-124.
4. Discharge refrigerant into the refrigerant recovery/recycling equipment. Measure lubricant discharged into the recovery/recycling equipment.
5. Drain the lubricant from the "old" (removed) compressor into a graduated container and recover the amount of lubricant drained.
6. Drain the lubricant from the "new" compressor into a separate, clean container.
7. Measure an amount of new lubricant installed equal to amount drained from "old" compressor. Add this lubricant to "new" compressor through the suction port opening.
8. Measure an amount of new lubricant equal to the amount recovered during discharging. Add this lubricant to "new" compressor through the suction port opening.
9. If the liquid tank also needs to be replaced, add an additional 5 mℓ (0.2 US fl oz, 0.2 Imp fl oz) of lubricant at this time.  
**Do not add this 5 mℓ (0.2 US fl oz, 0.2 Imp fl oz) of lubricant if only replacing the compressor.**

## Lubricant adjusting procedure for compressor replacement

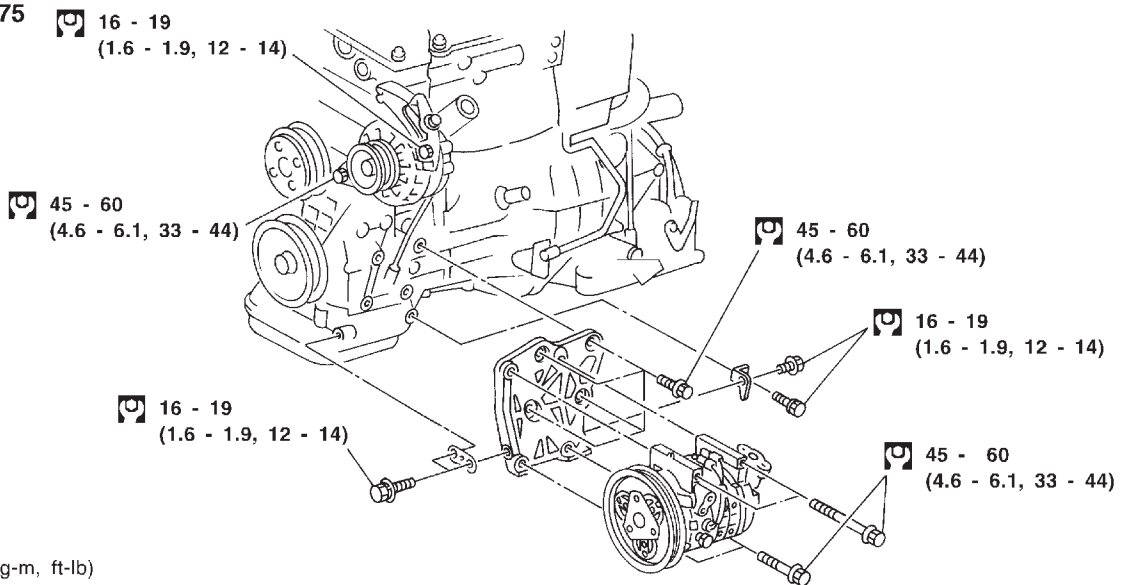


RHA065DD

## Compressor REMOVAL AND INSTALLATION

NCHA0161

SEC. 274•275



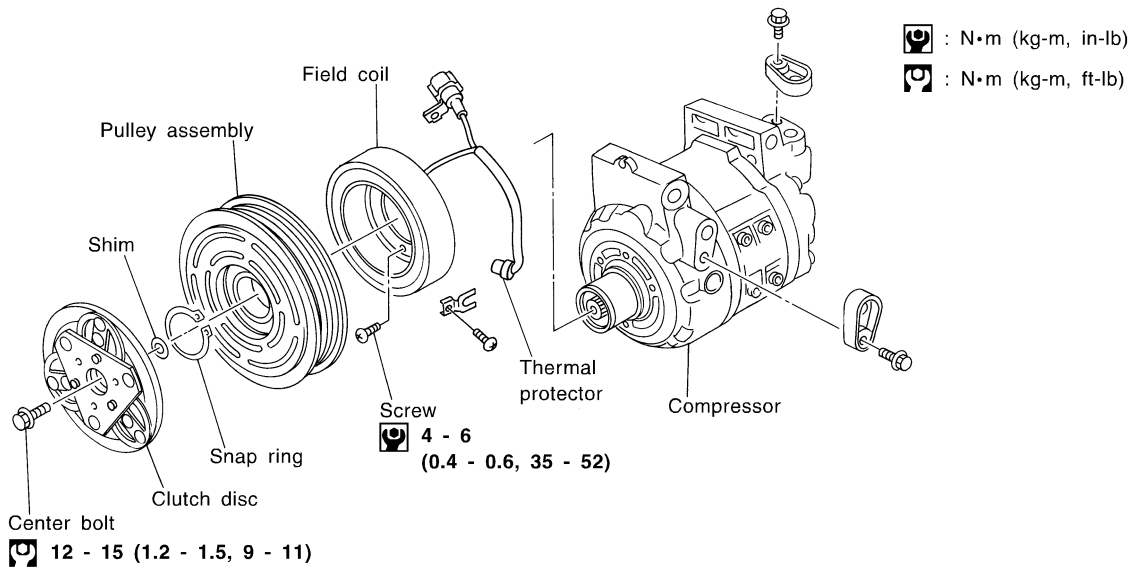
RHA080H

Compressor Clutch OVERHAUL

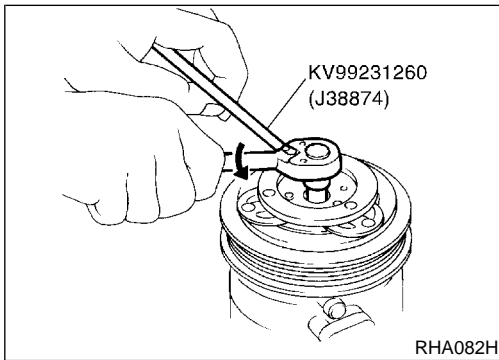
NCHA0162

GI  
MA  
EM  
LC  
EC  
FE  
CL  
MT  
AT  
AX  
SU  
BR  
ST  
RS  
BT  
HA  
SC  
EL  
IDX

SEC. 274



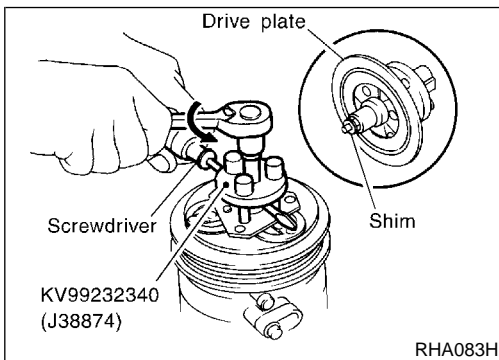
RHA668H



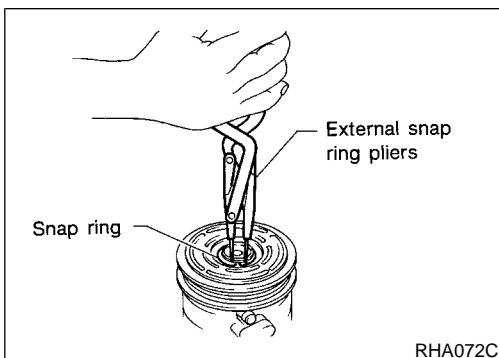
REMOVAL

NCHA0163

- When removing center bolt, hold clutch disc with clutch disc wrench.

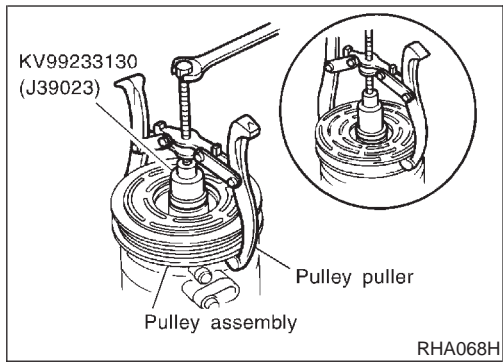


- Remove the drive plate using the clutch disc puller. Insert holder's three pins into the drive plate. Rotate the holder clockwise to hook it onto the plate. Tighten the center bolt to remove the drive plate. While tightening the center bolt, insert a screwdriver between two of the pins (as shown in the figure) to prevent rotation. After removing the drive plate, remove the shims from either the drive shaft or the drive plate.

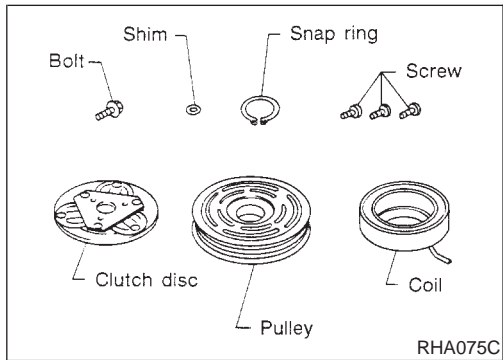
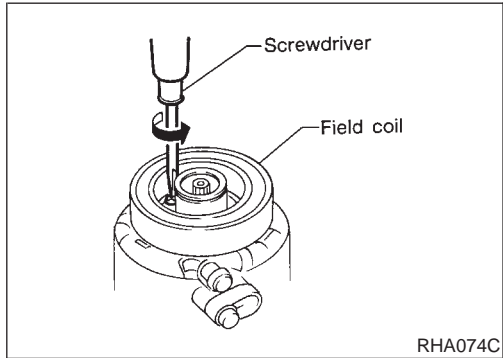


- Remove the snap ring using external snap ring pliers.

Compressor Clutch (Cont'd)



- Pulley removal:  
Use a commercially available pulley puller. Position the center of the puller on the end of the drive shaft. Remove the pulley assembly with the puller.  
**For pressed pulleys:**  
To prevent deformation of the pulley groove, the puller claws should be hooked under (not into) the pulley groove.  
**For machine latched pulleys:**  
Align the pulley puller groove with the pulley groove, and then remove the pulley assembly.
- Remove the snap ring using external snap ring pliers.
- Remove the field coil harness clip using a screwdriver. the three field coil fixing screws and remove the field coil.



INSPECTION

NCHA0164

Clutch Disc

NCHA0164S01

If the contact surface shows signs of damage due to excessive heat, replace clutch disc and pulley.

Pulley

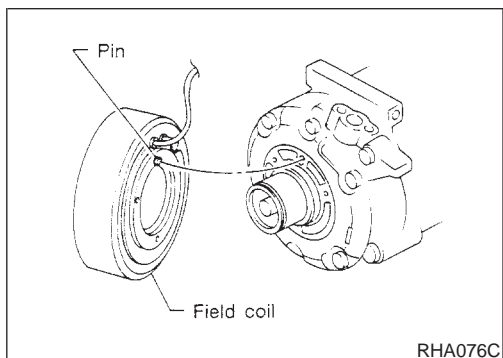
NCHA0164S02

Check the appearance of the pulley assembly. If contact surface of pulley shows signs of excessive grooving, replace clutch disc and pulley. The contact surfaces of the pulley assembly should be cleaned with a suitable solvent before reinstallation.

Coil

NCHA0164S03

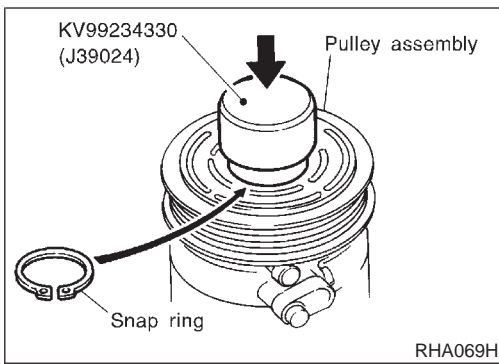
Check coil for loose connection or cracked insulation.



INSTALLATION

NCHA0165

- Install the field coil.  
**Be sure to align the coil pin with the hole in the compressor front head.**
- Install the field coil harness clip using a screwdriver.



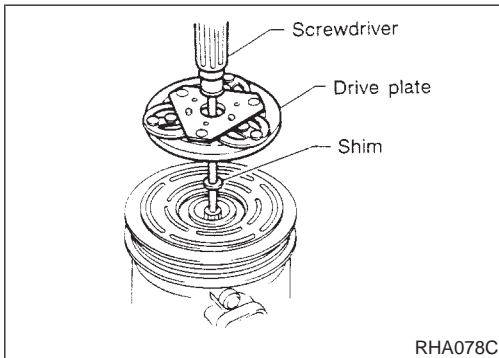
- Install the pulley assembly using the installer and a hand press, and then install the snap ring using snap ring pliers.

GI

MA

EM

LC



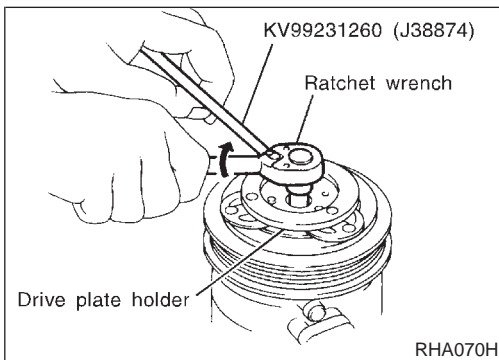
- Install the drive plate on the drive shaft, together with the original shim(s). Press the drive plate down by hand.

EC

FE

CL

MT



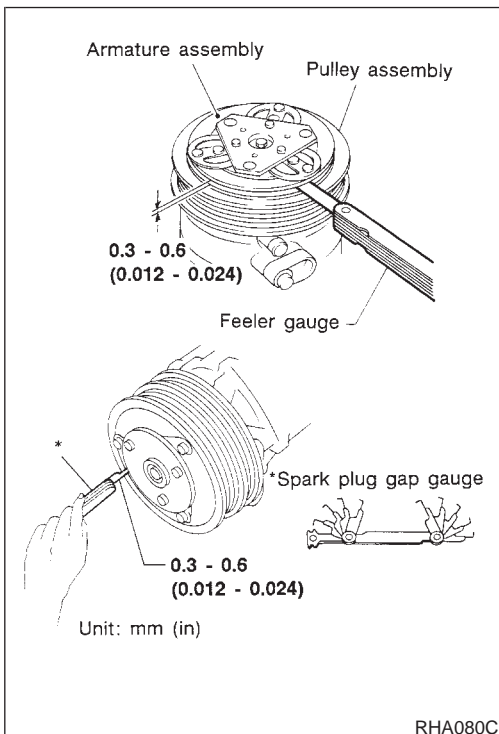
- Using the holder to prevent drive plate rotation, tighten the bolt to 12 to 15 N·m (1.2 to 1.5 kg·m, 9 to 11 ft·lb) torque.
- **After tightening the bolt, check that the pulley rotates smoothly.**

AT

AX

SU

BR



- Check clearance all the way around the clutch disc.

**Disc-to-pulley clearance:**

**0.3 - 0.6 mm (0.012 - 0.024 in)**

If the specified clearance is not obtained, replace adjusting spacer and readjust.

ST

RS

BT

HA

SC

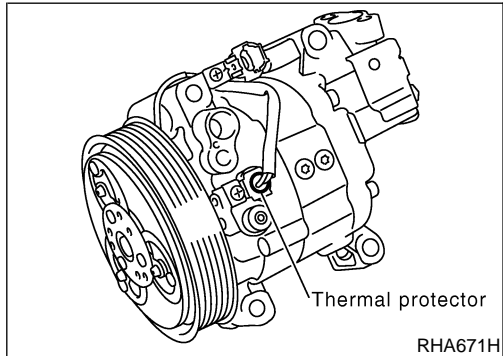
EL

IDX

**Break-in Operation**

When replacing compressor clutch assembly, always conduct the break-in operation. This is done by engaging and disengaging the clutch about thirty times. Break-in operation raises the level of transmitted torque.

NCHA0165S01

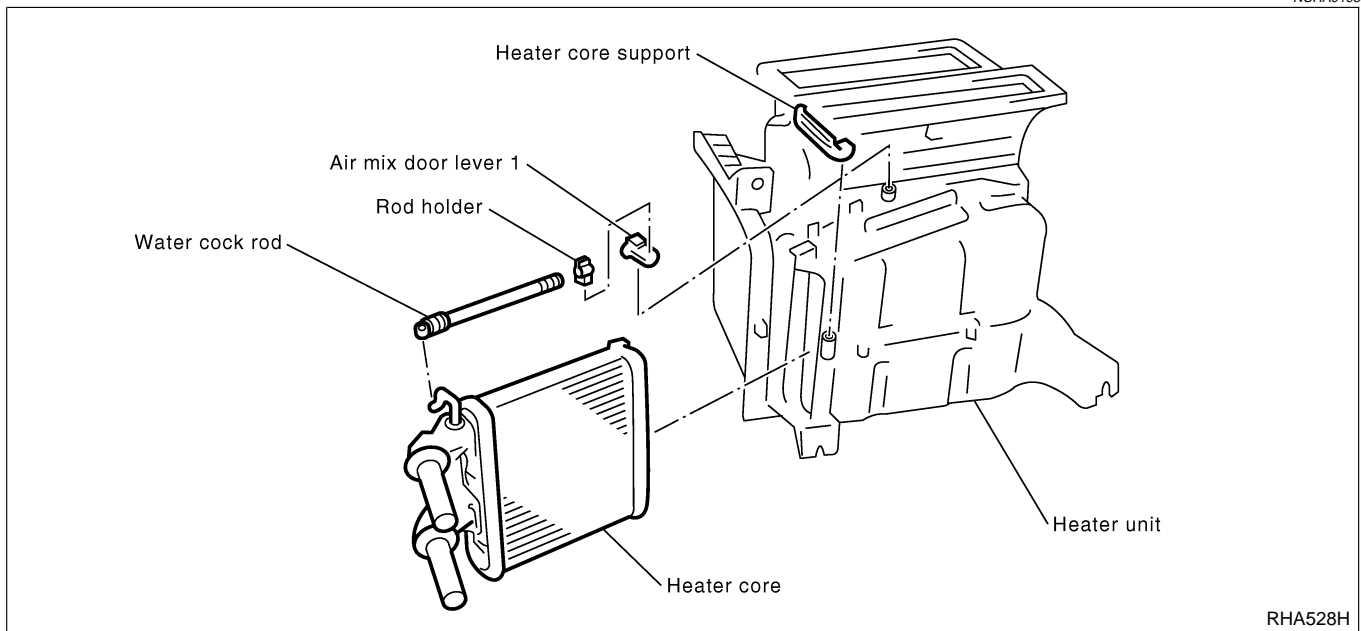


**Thermal Protector INSPECTION**

- When servicing, do not allow foreign matter to enter compressor.
- Check continuity between compressor harness terminal and field coil.

NCHA0166

**Heater Unit (Heater Core) REMOVAL**



NCHA0193

1. Drain the cooling system. Refer to MA-14, "Changing Engine Coolant".
2. Discharge the A/C system. Refer to HA-191.
3. Disconnect the two heater hoses from inside the engine compartment.
4. Remove the cooling unit. Refer to HA-202.
5. Remove the steering member assembly. Refer to BT-23, "Instrument Panel Assembly".
6. Remove the heater unit.
7. Remove the heater core.

**INSTALLATION**

Install in the reverse order of removal.

**When filling radiator with coolant, refer to MA-14, "Changing Engine Coolant".**

**Recharge the A/C system. Refer to HA-191.**

NCHA0194

GI

MA

EM

LC

EC

FE

CL

MT

AT

AX

SU

BR

ST

RS

BT

HA

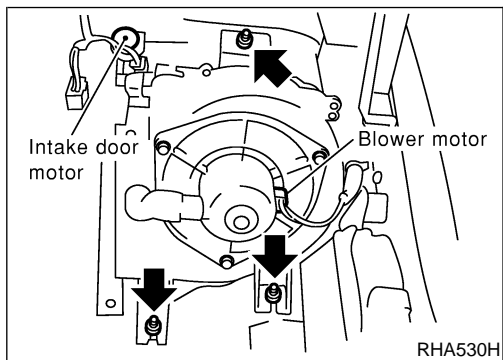
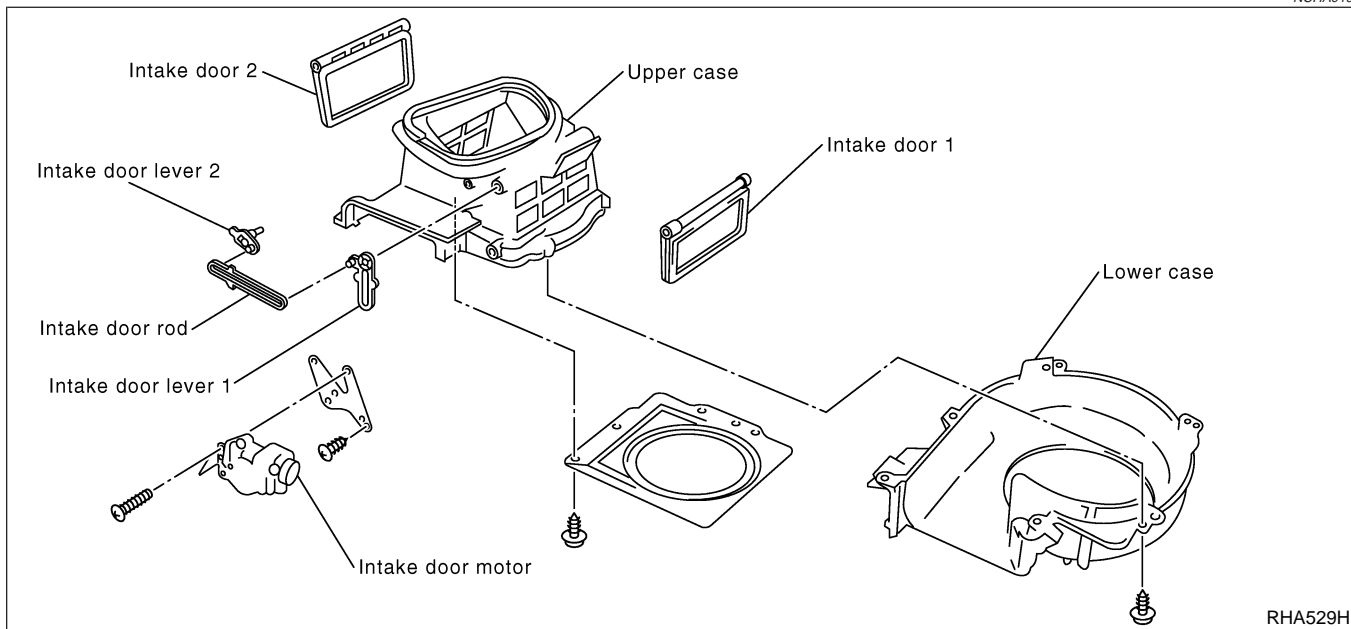
SC

EL

IDX

**Blower Unit  
REMOVAL**

NCHA0195



1. Discharge the A/C system. Refer to HA-191.
2. Disconnect the two refrigerant lines from the engine compartment. Cap the A/C lines to prevent moisture from entering the system.
3. Remove the glove box and mating trim. Refer to BT-23, "Instrument Panel Assembly".
4. Remove cooling unit. Refer to HA-202.
5. Disconnect the resistor and blower motor connector.
6. Remove blower unit.
7. Remove the three bolts and then remove the motor from the blower case.

**INSTALLATION**

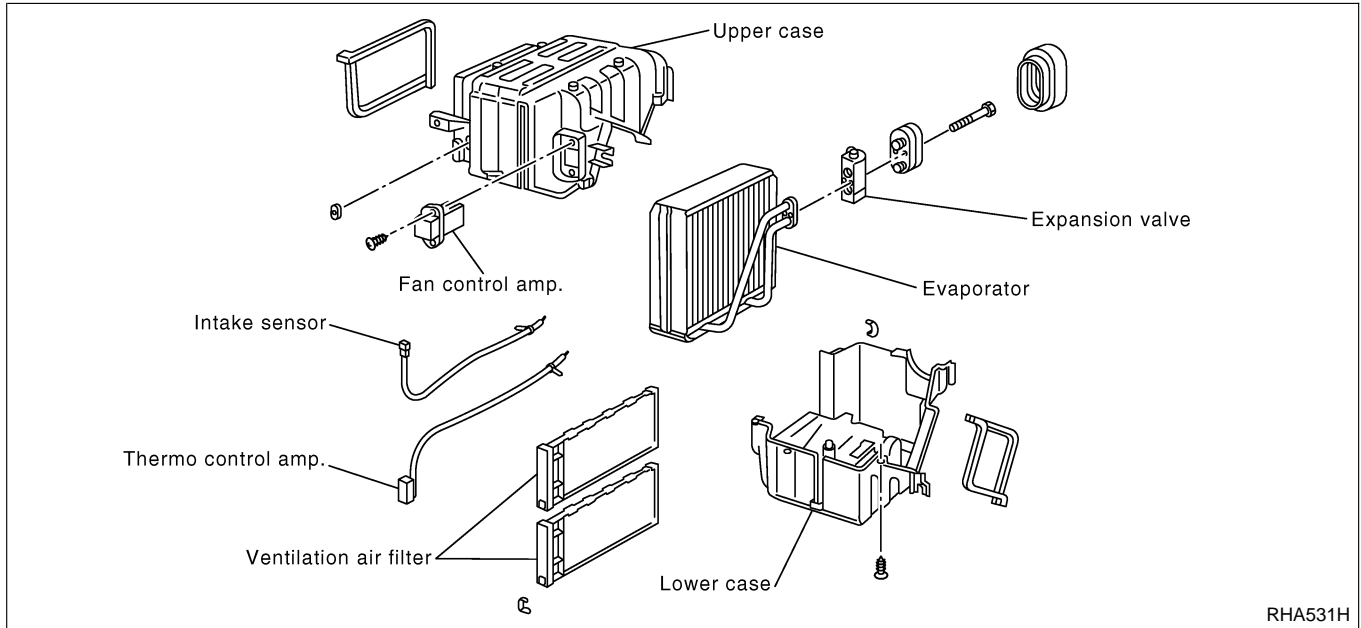
Install in the reverse order of removal.

**Recharge the A/C system. Refer to HA-191.**

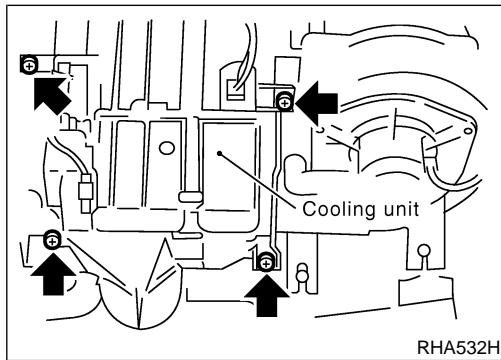
NCHA0196

**Cooling Unit (A/C Evaporator)  
REMOVAL**

NCHA0197



RHA531H



RHA532H

1. Discharge the A/C system. Refer to HA-191.
2. Disconnect the two refrigerant lines from the engine compartment.  
Cap the A/C lines to prevent moisture from entering the system.
3. Remove the glove box and mating trim. Refer to BT-23, "Instrument Panel Assembly".
4. Disconnect the thermo control amp. connector.
5. Remove the cooling unit.
6. Separate the cooling unit case, and remove the evaporator.

**INSTALLATION**

Installation is basically the reverse order of removal.  
**Recharge the A/C system. Refer to HA-191.**

NCHA0198

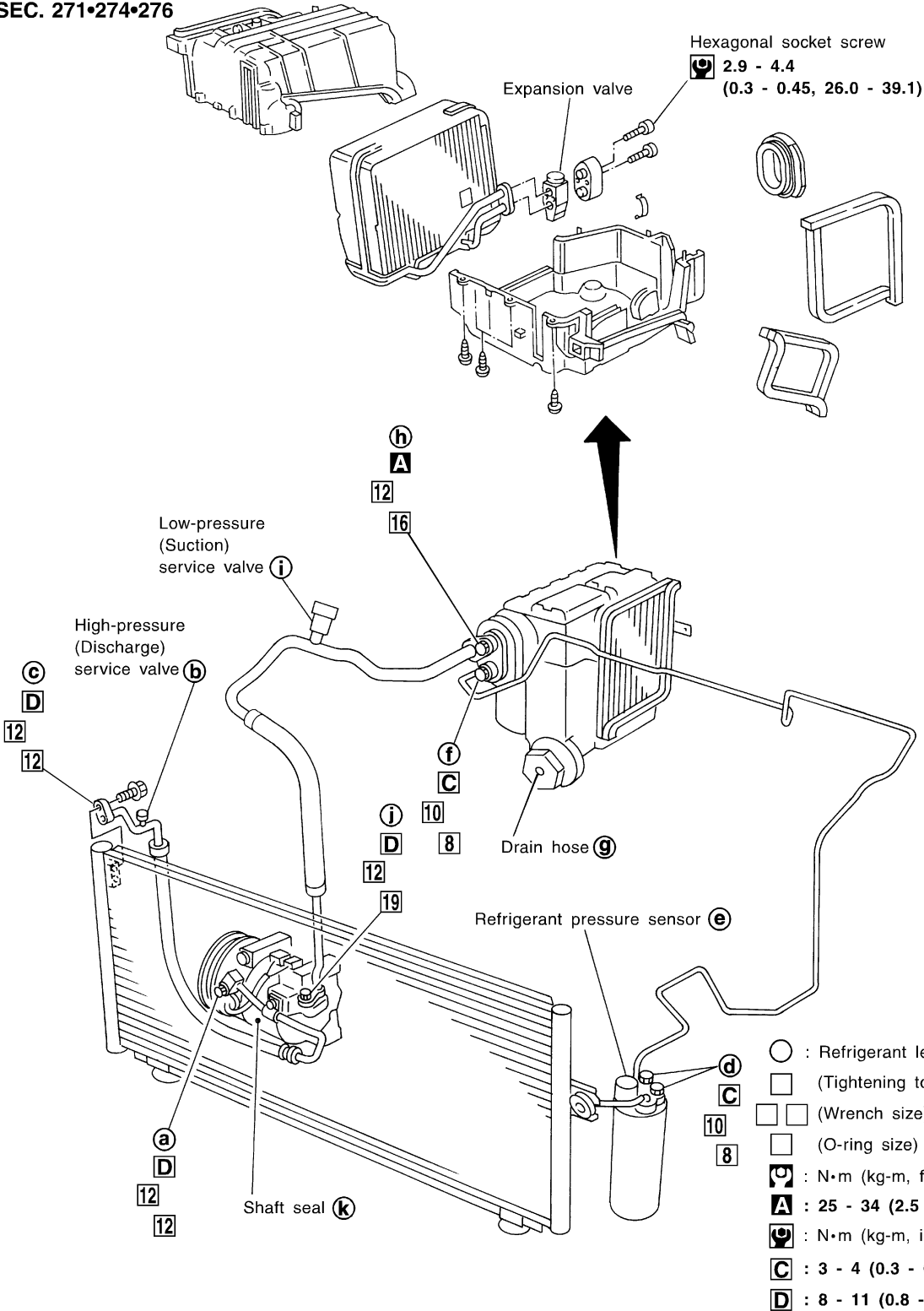


Refrigerant Lines  
REMOVAL AND INSTALLATION

=NCHA0167

- Refer to page HA-126 reading "Precautions for Refrigerant Connection".

SEC. 271•274•276



GI  
MA  
EM  
LC  
EC  
FE  
CL  
MT  
AT  
AX  
SU  
BR  
ST  
RS  
BT  
HA  
SC  
EL  
IDX

RHA533H

**CHECKING FOR REFRIGERANT LEAKS**

=NCHA0208

- Perform a visual inspection of all refrigeration parts, fittings, hoses and components for signs of A/C lubricant leakage, damage and corrosion. A/C lubricant leakage may indicate an area of refrigerant leakage. Allow extra inspection time in these areas when using either an electronic refrigerant leak detector or fluorescent dye leak detector.
- If dye is observed, confirm the leak with an electronic refrigerant leak detector. It is possible a prior leak was repaired and not properly cleaned.
- When searching for leaks, do not stop when one leak is found but continue to check for additional leaks at all system components and connections.
- When searching for refrigerant leaks using an electronic leak detector, move the probe along the suspected leak area at 1 to 2 inches per second and no further than 1/4 inch from the component.

**NOTE:**

**Moving the electronic leak detector probe slower and closer to the suspected leak area will improve the chances of finding a leak.**

**CHECKING SYSTEM FOR LEAKS USING THE FLUORESCENT LEAK DETECTOR**

NCHA0209

1. Check A/C system for leaks using the UV lamp and safety glasses (J-42220) in a low sunlight area (area without windows preferable). Illuminate all components, fittings and lines. The dye will appear as a bright green/yellow area at the point of leakage. Fluorescent dye observed at the evaporator drain opening indicates an evaporator core assembly (tubes, core or TXV) leak.
2. If the suspected area is difficult to see, use an adjustable mirror or wipe the area with a clean shop rag or cloth, then check the cloth with the UV lamp for dye residue.
3. After the leak is repaired, remove any residual dye using dye cleaner (J-43872) or prevent future misdiagnosis.
4. Perform a system performance check and verify the leak repair with an approved electronic refrigerant leak detector.

**NOTE:**

- **Other gases in the work area or substances on the A/C components, for example, anti-freeze, windshield washer fluid, solvents and lubricants, may falsely trigger the leak detector. Make sure the surfaces to be checked are clean. Clean with a dry cloth or blow off with shop air.**
- **Do not allow the sensor tip of the detector to contact with any substance. This can also cause false readings and may damage the detector.**

**DYE INJECTION**

NCHA0210

(This procedure is only necessary when re-charging the system or when the compressor has seized and was replaced.)

1. Check A/C system static (at rest) pressure. Pressure must be at least 345 kPa (3.5 kg/cm<sup>2</sup>, 50 psi).
2. Pour one bottle (1/4 ounce/7.4 cc) of the A/C refrigerant dye into the injector tool (J-41459).
3. Connect the injector tool to the A/C LOW PRESSURE side service fitting.
4. Start engine and switch A/C ON.

5. With the A/C operating (compressor running), inject one bottle (1/4 ounce/7.4 cc) of fluorescent dye through the low-pressure service valve using dye injector tool J-41459 (refer to the manufacturer's operating instructions).
6. With the engine still running, disconnect the injector tool from the service fitting.

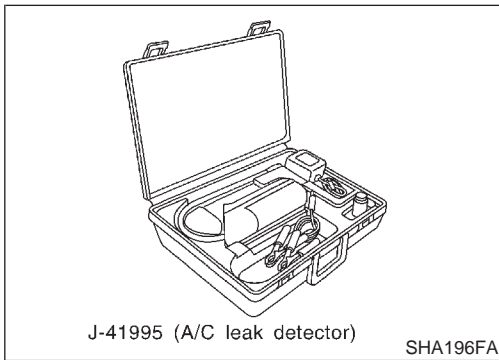
**CAUTION:**

Be careful not to allow dye to spray or drip when disconnecting the injector from the system.

**NOTE:**

If repairing the A/C system or replacing a component, pour the dye directly into the open system connection and proceed with the service procedures.

7. Operate the A/C system for a minimum of 20 minutes to mix the dye with the system oil. Depending on the leak size, operating conditions and location of the leak, it may take from minutes to days for the dye to penetrate a leak and become visible.



**ELECTRONIC REFRIGERANT LEAK DETECTOR**

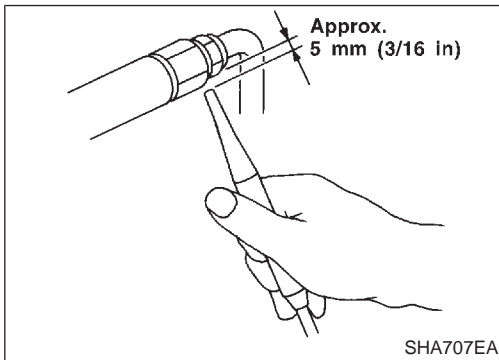
NCHA0211

**Precautions for Handling Leak Detector**

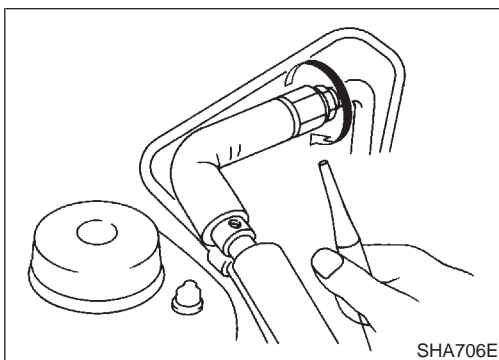
NCHA0211S01

When performing a refrigerant leak check, use a J-41995 A/C leak detector or equivalent. Ensure that the instrument is calibrated and set properly per the operating instructions.

The leak detector is a delicate device. In order to use the leak detector properly, read the operating instructions and perform any specified maintenance.



1. Position probe approximately 5 mm (3/16 in) away from point to be checked.



2. When testing, circle each fitting completely with probe.

GI

MA

EM

LC

EC

FE

CL

MT

AT

AX

SU

BR

ST

RS

BT

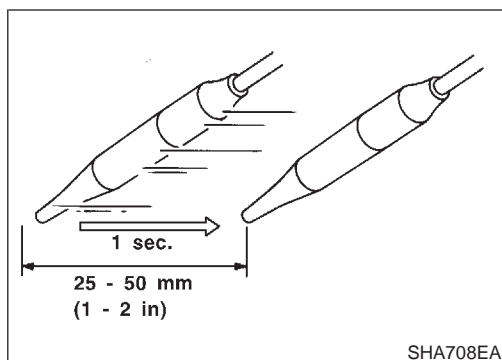
HA

SC

EL

IDX

## Refrigerant Lines (Cont'd)



3. Move probe along component approximately 25 to 50 mm (1 to 2 in)/sec.

### Checking Procedure

To prevent inaccurate or false readings, make sure there is no refrigerant vapor, shop chemicals, or cigarette smoke in the vicinity of the vehicle. Perform the leak test in calm area (low air/wind movement) so that the leaking refrigerant is not dispersed.

1. Turn engine off.
2. Connect a suitable A/C manifold gauge set to the A/C service ports.
3. Check if the A/C refrigerant pressure is at least 345 kPa (3.52 kg/cm<sup>2</sup>, 50 psi) above 16°C (61°F). If less than specification, recover/evacuate and recharge the system with the specified amount of refrigerant.

#### NOTE:

At temperatures below 16°C (61°F), leaks may not be detected since the system may not reach 345 kPa (3.52 kg/cm<sup>2</sup>, 50 psi).

4. Conduct the leak test from the high side (compressor discharge **a** to evaporator inlet **f**) to the low side (evaporator drain hose **g** to shaft seal **k**). Refer to HA-203. Perform a leak check for the following areas carefully. Clean the component to be checked and move the leak detector probe completely around the connection/component.

- **Compressor**  
Check the fitting of high and low pressure hoses, relief valve and shaft seal.
- **Liquid tank**  
Check the pressure switch, tube fitting, weld seams and the fusible plug mount.
- **Service valves**  
Check all around the service valves. Ensure service valve caps are secured on the service valves (to prevent leaks).

#### NOTE:

After removing A/C manifold gauge set from service valves, wipe any residue from valves to prevent any false readings by leak detector.

- **Cooling unit (Evaporator)**  
With engine OFF, turn blower fan on "High" for at least 15 seconds to dissipate any refrigerant trace in the cooling unit. Wait a minimum of 10 minutes accumulation time (refer to the manufacturer's recommended procedure for actual wait time) before inserting the leak detector probe into the drain hose. Keep the probe inserted for at least ten seconds. Use caution not to contaminate the probe tip with water or dirt that may be in the drain hose.

5. If a leak detector detects a leak, verify at least once by blowing compressed air into area of suspected leak, then repeat check as outlined above.
6. Do not stop when one leak is found. Continue to check for additional leaks at all system components. If no leaks are found, perform steps 7 - 10.
7. Start engine.
8. Set the heater A/C control as follows:
  - 1) A/C switch ON.
  - 2) Face mode
  - 3) Recirculation switch ON
  - 4) Max cold temperature
  - 5) Fan speed high
9. Run engine at 1,500 rpm for at least 2 minutes.
10. Turn engine off and perform leak check again following steps 4 through 6 above.

GI

MA

EM

LC

EC

FE

CL

MT

AT

AX

SU

BR

ST

RS

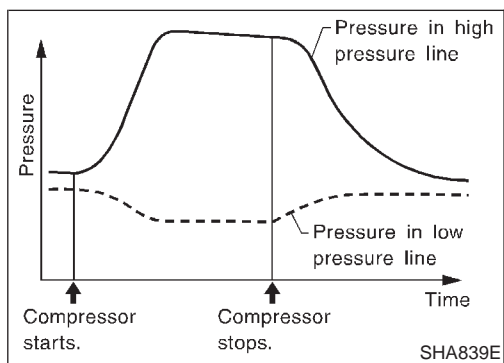
BT

HA

SC

EL

IDX



**Refrigerant leaks should be checked immediately after stopping the engine. Begin with the leak detector at the compressor. The pressure on the high pressure side will gradually drop after refrigerant circulation stops and pressure on the low pressure side will gradually rise, as shown in the graph. Some leaks are more easily detected when pressure is high.**

11. Before connecting ACR4 to vehicle, check ACR4 gauges. No refrigerant pressure should be displayed. If pressure is displayed, recover refrigerant from equipment lines and then check refrigerant purity.
12. Confirm refrigerant purity in supply tank using ACR4 and refrigerant identifier.
13. Confirm refrigerant purity in vehicle A/C system using ACR4 and refrigerant identifier.
14. Discharge A/C system using approved refrigerant recovery equipment. Repair the leaking fitting or component as necessary.
15. Evacuate and recharge A/C system and perform the leak test to confirm no refrigerant leaks.
16. Conduct A/C performance test to ensure system works properly.

**Belt**

**TENSION ADJUSTMENT**

- Refer to MA-13, "Checking Drive Belt".

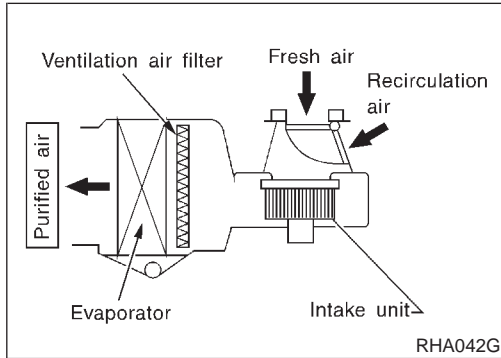
NCHA0169

**Idle Air Control Valve (IACV) — Auxiliary Air Control (AAC) Valve**

**INSPECTION**

- Refer to EC-436, "System Description" and HA-135.

NCHA0199

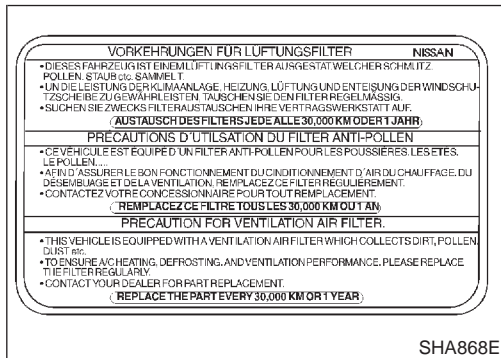


**Ventilation Air Filter**

**FUNCTION**

Air inside passenger compartment is kept clean at either recirculation or fresh mode by installing ventilation air filter into cooling unit.

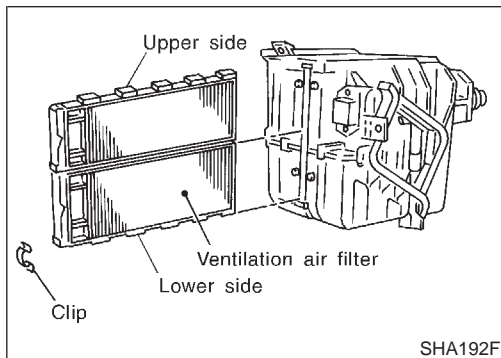
NCHA0171



**REPLACEMENT TIMING**

Replace ventilation air filter. Refer to MA-6, "PERIODIC MAINTENANCE". Caution label is fixed inside the glove box.

NCHA0172



**REPLACEMENT PROCEDURE**

- Remove glove box.
- Remove instrument reinforcement from instrument panel.
- Remove ventilation air filter fixed clip.
- Take out the lower side ventilation air filter from cooling unit.
- Then slide upper side filter to the bottom position and take off the ventilation air filter from the cooling unit.
- Replace with new one and reinstall on cooling unit.
- Reinstall instrument reinforcement, glove box and undercover.

NCHA0173

**Manual**

**COMPRESSOR**

NCHA0174

Model	ZEXEL make DKV-14G	
Type	Vane rotary	
Displacement cm <sup>3</sup> (cu in)/rev.	140 (8.54)	
Direction of rotation	Clockwise (viewed from drive end)	
Drive belt	Poly V	

GI

MA

EM

**LUBRICANT**

NCHA0175

Model	ZEXEL make DKV-14G	
Name	Nissan A/C System Oil Type R	
Part number	KLH00-PAGR0	
Capacity ml (US fl oz, Imp fl oz)	Total in system	180 (6.1, 6.3)
	Compressor (Service part) charging amount	180 (6.1, 6.3)

LC

EC

FE

CL

**REFRIGERANT**

NCHA0176

Type	HFC-134a (R-134a)	
Capacity kg (lb)	0.55 - 0.65 (1.21 - 1.43)	

MT

AT

**ENGINE IDLING SPEED (WHEN A/C IS ON)**

NCHA0177

- Refer to EC-632, "Idle Speed and Ignition Timing".

AX

**BELT TENSION**

NCHA0178

- Refer to MA-13, "Checking Drive Belts".

SU

BR

ST

RS

BT

**HA**

SC

EL

IDX

## NOTES