

SECTION **EX** EXHAUST SYSTEM

CONTENTS

<b>PREPARATION</b> .....	2	Checking Exhaust System .....	3	F
Commercial Service Tools .....	2	Removal and Installation .....	3	
<b>EXHAUST SYSTEM</b> .....	3	REMOVAL .....	4	
		INSTALLATION .....	4	G
		INSPECTION AFTER INSTALLATION .....	4	
		<b>SERVICE DATA AND SPECIFICATIONS (SDS)</b> .....	5	
		Tightening Torque .....	5	H

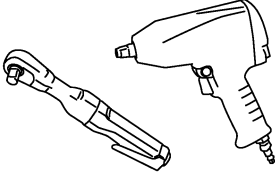
# PREPARATION

## PREPARATION

PFP:00002

### Commercial Service Tools

ABS002YD

Tool name	Description
<p data-bbox="140 314 252 340">Power tool</p>  <p data-bbox="836 534 906 549">PBIC0190E</p>	<p data-bbox="999 314 1254 340">Loosening nuts and bolts</p>

# EXHAUST SYSTEM

## EXHAUST SYSTEM

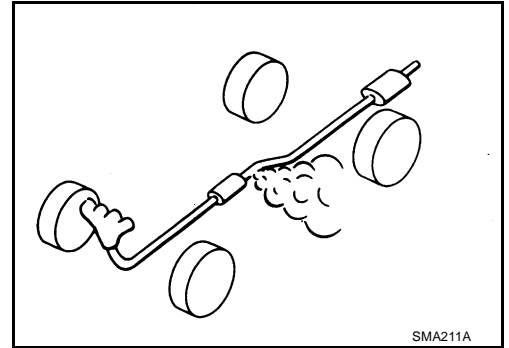
PFP:20100

### Checking Exhaust System

ABS004SD

Check exhaust pipes, muffler and mounting for improper attachment, leaks, cracks, damage or deterioration.

- If anything is found, repair or replace damaged parts.

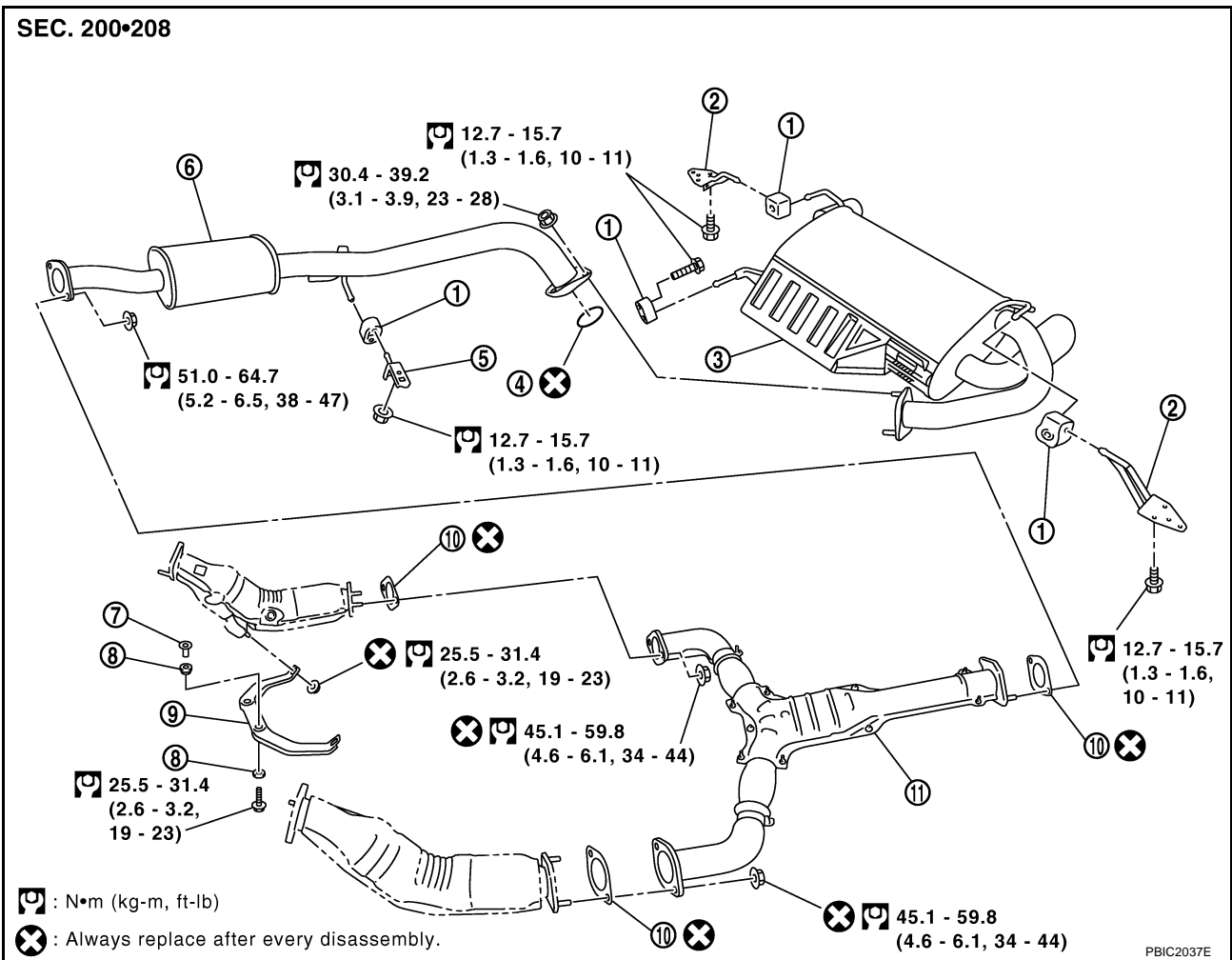


### Removal and Installation

ABS004SE

#### CAUTION:

- Be sure to use genuine exhaust system parts or equivalents which are specially designed for heat resistance, corrosion resistance, and shape.
- Perform the operation with the exhaust system fully cooled down because the system will be hot just after engine stops.
- Be careful not to cut your hand on the heated insulator edge.



- |                    |                                  |                             |
|--------------------|----------------------------------|-----------------------------|
| 1. Mounting rubber | 2. Main muffler mounting bracket | 3. Main muffler             |
| 4. Ring gasket     | 5. Mounting bracket              | 6. Center muffler           |
| 7. Collar          | 8. Grommet                       | 9. Exhaust mounting bracket |
| 10. Gasket         | 11. Exhaust front tube           |                             |

# EXHAUST SYSTEM

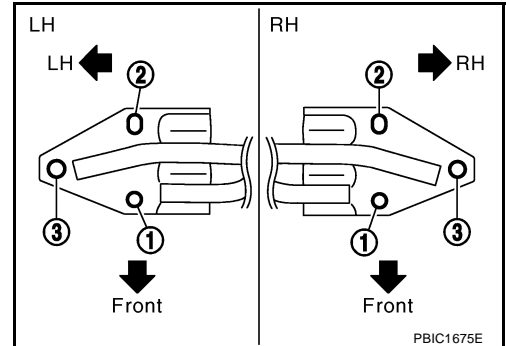
## REMOVAL

- Disconnect each joint and mounting with power tool.
- When removing main muffler, remove main muffler mounting bracket bolts.

## INSTALLATION

Note to the following, and install in the reverse order of removal.

- Tighten main muffler mounting bracket bolts in numerical order as shown in the figure.

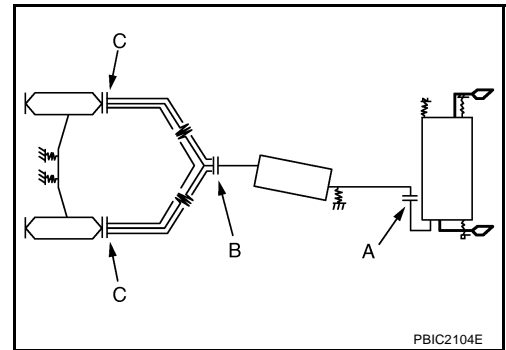


When reassembling main muffler only.

1. Temporarily tighten connecting flange (A).
2. Move main muffler front / rear / left / right so that clearance between tail tube and bumper is even.
3. Tighten connecting flange (A) to the specified torque.

When reassembling center muffler.

1. Temporarily tighten connecting flanges in order of (A) and (B).
2. Move main muffler front / rear / left / right so that clearance between tail tube and bumper is even.
3. Tighten connecting flanges in order of (A) and (B) to the specified torque.



When reassembling exhaust front tube.

1. Temporarily tighten connecting flanges of center muffler in order of (B) and (C).
2. Move main muffler front / rear / left / right so that clearance between tail tube and bumper is even.
3. Tighten connecting flanges in order of (B) and (C) to the specified torque.

## CAUTION:

- Always replace exhaust tube gaskets with new ones when reassembling.
- If heated insulator is badly deformed, repair or replace it. If deposits such as mud pile up on heated insulator, remove them.
- When installing heated insulator avoid large gaps or interference between heated insulator and each exhaust pipe.
- Remove deposits from the sealing surface of each connection. Connect them securely to avoid gas leakage.
- Temporarily tighten mounting nuts on the exhaust manifold side and mounting bolts on the vehicle side. Check each part for unusual interference, and then tighten them to the specified torque.
- When installing each mounting rubber, avoid twisting or unusual extension in up/down and right/left directions.

## INSPECTION AFTER INSTALLATION

- With engine running, check exhaust tube joints for gas leakage and unusual noises.
- Make sure that mounting brackets and mounting rubbers are installed properly and free from undue stress. Improper installation could result in excessive noise and vibration.
- Make sure that clearance between tail tube and bumper is even.

# SERVICE DATA AND SPECIFICATIONS (SDS)

## SERVICE DATA AND SPECIFICATIONS (SDS)

PFP:00030

### Tightening Torque

ABS004SG

Unit: N-m (kg-m, ft-lb)

Exhaust system connections		
Between three way catalyst and exhaust front tube	45.1 - 59.8 (4.6 - 6.1, 34 - 44)	
Between exhaust front tube and center muffler	51.0 - 64.7 (5.2 - 6.5, 38 - 47)	
Between center muffler and main muffler	30.4 - 39.2 (3.1 - 3.9, 23 - 28)	
Exhaust mounting bracket	25.5 - 31.4 (2.6 - 3.2, 19 - 23)	
Center muffler mounting bracket	12.7 - 15.7 (1.3 - 1.6, 10 - 11)	
Main muffler mounting bracket	12.7 - 15.7 (1.3 - 1.6, 10 - 11)	

A

EX

C

D

E

F

G

H

I

J

K

L

M

## SERVICE DATA AND SPECIFICATIONS (SDS)

---