

SECTION **PR**
PROPELLER SHAFT

A
B
C

PR

CONTENTS

E

PREPARATION	2	Removal and Installation	5	F
Special Service Tools	2	REMOVAL	5	
Commercial Service Tools	2	INSPECTION	6	
NOISE, VIBRATION AND HARSHNESS (NVH)		INSTALLATION	7	G
TROUBLESHOOTING	3	Disassembly and Assembly of Center Bearing	8	
NVH Troubleshooting Chart	3	DISASSEMBLY	8	
REAR PROPELLER SHAFT	4	ASSEMBLY	9	H
On-Vehicle Inspection	4	SERVICE DATA AND SPECIFICATIONS (SDS)	10	
APPEARANCE AND NOISE INSPECTION	4	General Specifications	10	
PROPELLER SHAFT VIBRATION	4	Journal Axal Play	10	I
Components	5	Propeller Shaft Runout	10	

I

J

K

L

M

PREPARATION

PREPARATION

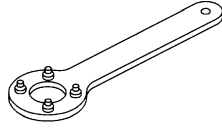
PFP:00002

Special Service Tools

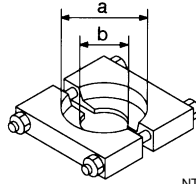
ADS001D3

The actual shapes of Kent-Moore tools may differ from those of special service tools illustrated here.

Tool number (Kent-Moore No.) Tool name	Description
ST38060002 (J-34311) Flange wrench	Removing and installing center flange lock nut
ST30031000 (J-22912-01) Puller a: 90 mm (3.54 in) dia. b: 50 mm (1.97 in) dia.	Remove rear propeller shaft center bearing



NT113

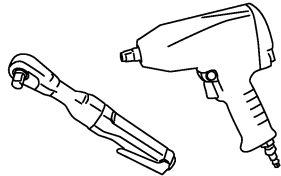


NT411

Commercial Service Tools

ADS001D4

Tool name	Description
Power tool	Loosening bolts and nuts



PBIC0190E

NOISE, VIBRATION AND HARSHNESS (NVH) TROUBLESHOOTING

NOISE, VIBRATION AND HARSHNESS (NVH) TROUBLESHOOTING

PF0:00003

NVH Troubleshooting Chart

ADS001D5

Use the chart below to help you find the cause of the symptom. If necessary, repair or replace these parts.

Symptom		Possible cause and SUSPECTED PARTS													
		Uneven rotating torque	Center bearing improper installation	Excessive center bearing axial end play	Center bearing mounting (insulator) cracks, damage or deterioration	Excessive joint angle	Rotation imbalance	Excessive runout	DIFFERENTIAL	AXLE AND SUSPENSION	TIRES	ROAD WHEEL	DRIVE SHAFT	BRAKES	STEERING
Reference page	Noise	x	x	x	x	x	x	x	x	x	x	x	x	x	
	Shake		x			x				x	x	x	x	x	
	Vibration	x	x	x	x	x	x	x		x		x		x	
Reference page		PR-4	PR-7	—	PR-5	—	PR-4	PR-6	NVH in RFD section	NVH in FAX, RAX, FSU, and RSU section	NVH in WT section	NVH in WT section	NVH in RAX section	NVH in BR section	NVH in PS section

x: Applicable

A
B
C
PR
E
F
G
H
I
J
K
L
M

REAR PROPELLER SHAFT

REAR PROPELLER SHAFT

PFP:37000

On-Vehicle Inspection

ADS001D6

APPEARANCE AND NOISE INSPECTION

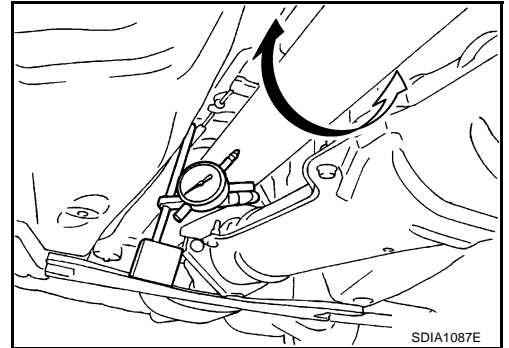
- Check the propeller shaft tube surface for dents or cracks. If damaged, replace propeller shaft assembly.
- If center bearing is noisy or damaged, replace center bearing.

PROPELLER SHAFT VIBRATION

If vibration is present at high speed, inspect propeller shaft runout first.

1. Measure propeller shaft runout at runout measuring points by rotating final drive companion flange with hands.

Propeller shaft runout limit : 0.6 mm (0.024 in) or less



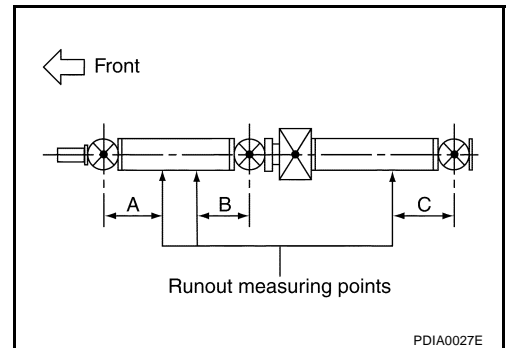
Propeller shaft runout measuring points

Dimension A: 192 mm (7.56 in)

B: 172 mm (6.77 in)

C: 170 mm (6.69 in)

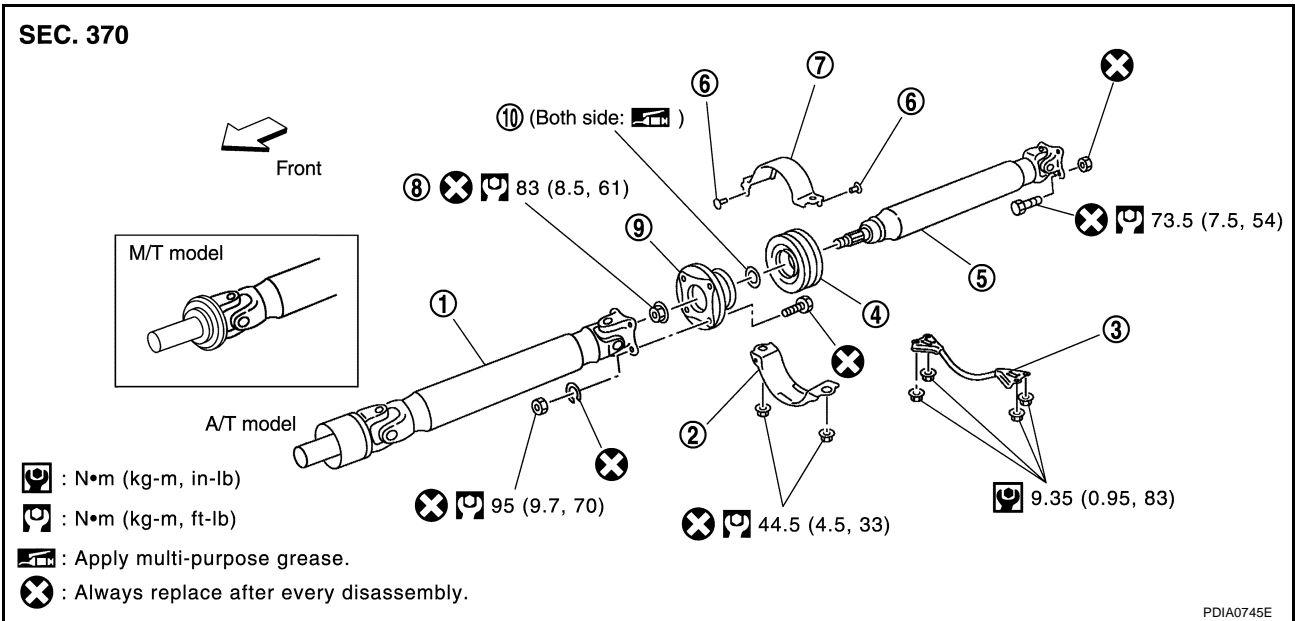
2. If runout still exceeds specifications, separate propeller shaft at final drive companion flange; then rotate companion flange 90, 180, 270 degrees and install propeller shaft.
3. Check runout again. If runout still exceeds specifications, replace propeller shaft assembly.
4. Check the vibration by driving vehicle.



REAR PROPELLER SHAFT

Components

ADS001D7



- | | | |
|--|--|---------------------|
| 1. Propeller shaft (1st shaft) | 2. Center bearing mounting bracket (Lower) | 3. Floor rain force |
| 4. Center bearing | 5. Propeller shaft (2nd shaft) | 6. Clip |
| 7. Center bearing mounting bracket (Upper) | 8. Lock nut | 9. Center flange |
| 10. Washer | | |

NOTE:

- The joint cannot be disassembled.
- The center bearing can be disassembled. Refer to [PR-8, "Disassembly and Assembly of Center Bearing"](#).

Removal and Installation

REMOVAL

ADS001D8

1. Move A/T selector lever to N position or set M/T shift lever to neutral position.
2. Release parking brake.
3. Remove the center muffler with power tool. Refer to [EX-3, "Removal and Installation"](#).
4. Loosen mounting nuts of center bearing mounting brackets with power tool.

CAUTION:

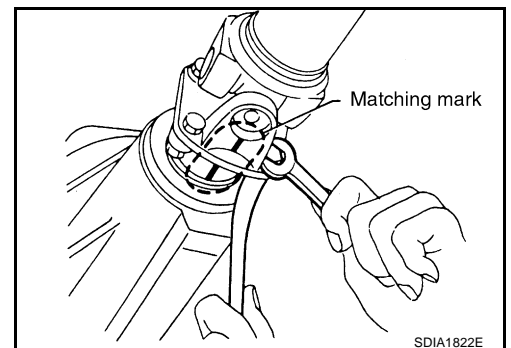
Tighten mounting nuts temporarily.

5. Put matching marks on propeller shaft flange yoke with final drive companion flange.

CAUTION:

For matching mark, use paint. Do not damage propeller shaft flange yoke and companion flange.

6. Remove propeller shaft fixing bolts and nuts.
7. Remove center bearing mounting bracket fixing nuts.
8. Remove propeller shaft.

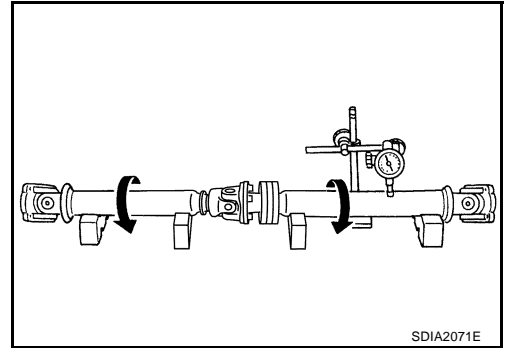


REAR PROPELLER SHAFT

INSPECTION

- Inspect propeller shaft runout at measuring points. If runout exceeds specifications, replace propeller shaft assembly.

Propeller shaft runout limit : 0.6 mm (0.024 in) or less

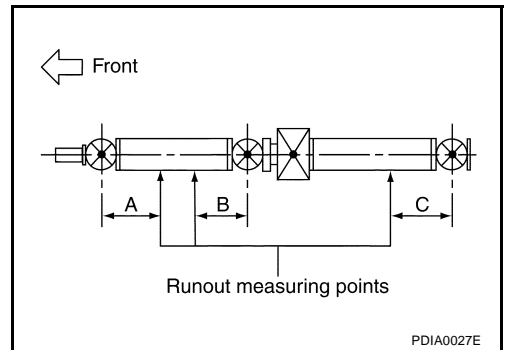


Propeller shaft runout measuring points

Dimension A: 192 mm (7.56 in)

B: 172 mm (6.77 in)

C: 170 mm (6.69 in)



- As shown in the figure, while fixing yoke on one side, check axial play of joint. If outside the standard, replace relevant propeller shaft.

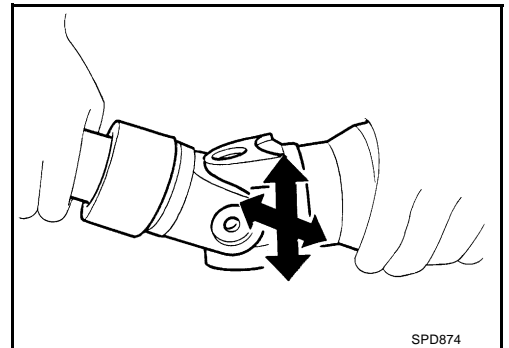
Journal axial play : 0 mm (0 in)

- Check propeller shaft for bend and damage. If damage is detected, replace relevant propeller shaft.

CAUTION:

Do not disassemble joints.

- Check center bearing for noise and damage. If noise or damage is detected, replace center bearing. Refer to [PR-8, "Disassembly and Assembly of Center Bearing"](#).

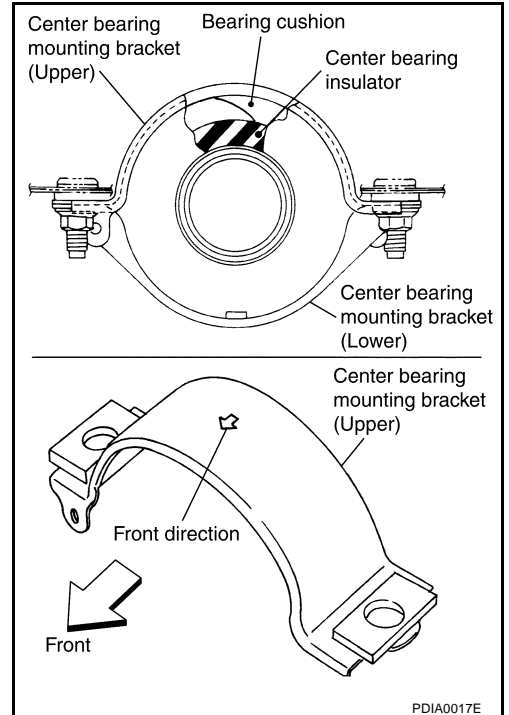


REAR PROPELLER SHAFT

INSTALLATION

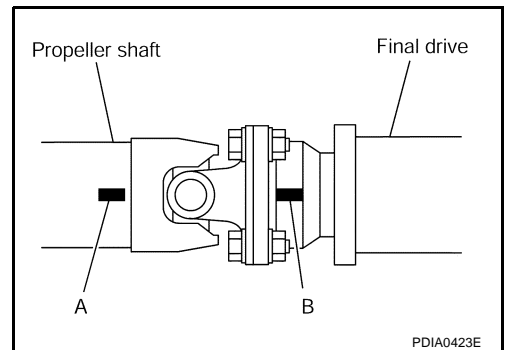
Note the following, and install in the reverse order of removal.

- Align matching marks to install propeller shaft to final drive companion flange, and then tighten to specified torque. Refer to [PR-5, "Components"](#).
- Install center bearing mounting bracket (Upper) with its arrow mark facing forward.
- Adjust position of mounting bracket sliding back and forth to prevent play in thrust direction of center bearing insulator. Install bracket to vehicle.
- After assembly, perform a driving test to check propeller shaft vibration. If vibration occurred, separate propeller shaft from final drive. Reinstall companion flange after rotating it by 90, 180, 270 degrees. Then perform driving test and check propeller shaft vibration again at each point.

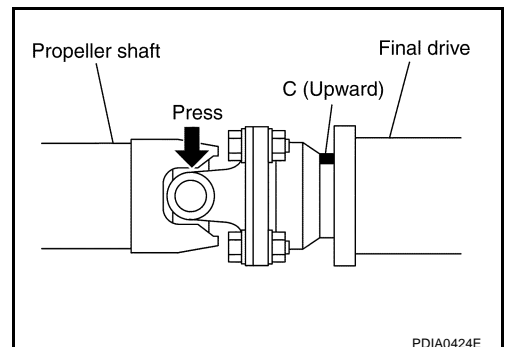


- If propeller shaft or final drive has been replaced, connect them as follows:

1. Install propeller shaft while aligning its matching mark A with the matching mark B on the joint as close as possible.
2. Temporarily tighten bolts and nuts.



3. Press down propeller shaft with matching mark C facing upward. Then tighten fixing bolts and nuts to the specified torque. Refer to [PR-5, "Components"](#).



A
B
C
PR
E
F
G
H
I
J
K
L
M

REAR PROPELLER SHAFT

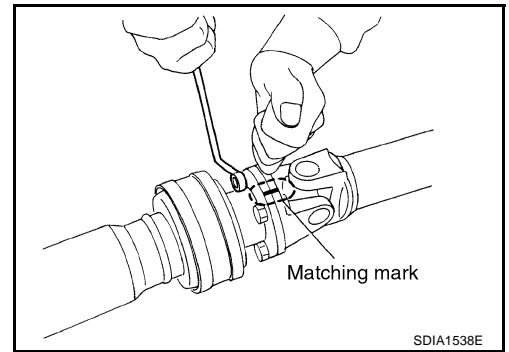
ADS001D9

Disassembly and Assembly of Center Bearing DISASSEMBLY

1. Put matching marks on propeller shaft and center flange, then disassemble the 1st and 2nd propeller shaft.

CAUTION:

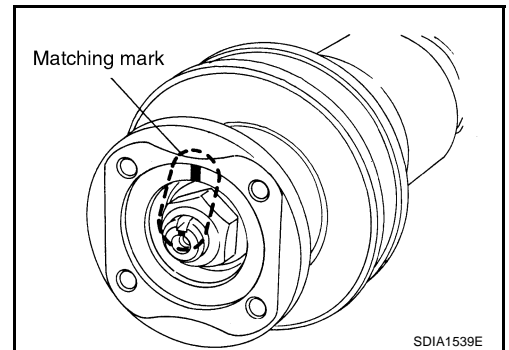
For matching mark, use paint. Do not damage the propeller shaft flange and center flange.



2. Put matching marks onto the center flange and propeller shaft end as shown.

CAUTION:

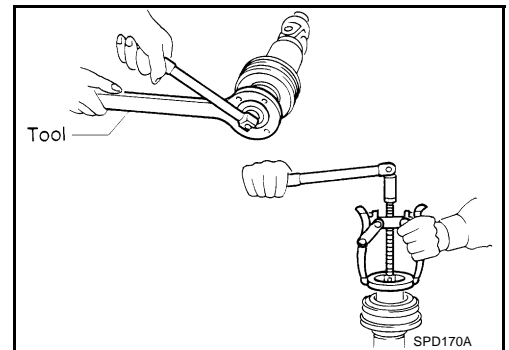
For matching mark, use paint. Do not damage propeller shaft end and center flange.



3. Hold the center flange using the flange wrench, and remove the lock nut.

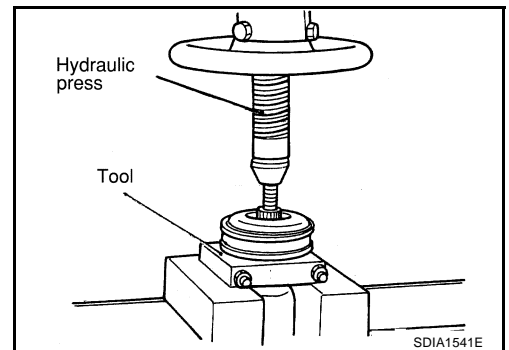
Tool number : ST38060002 (J-34311)

4. Remove the center flange using a commercial available bearing puller then remove washer.



5. Press out the center bearing using the puller and hydraulic press.

Tool number : ST30031000 (J-22912-01)



REAR PROPELLER SHAFT

ASSEMBLY

1. Install the center bearing with its "F" mark facing the rear of the vehicle.
2. Apply multi-purpose grease to the each face of the washer, then install washer.
3. Install the center flange onto the propeller shaft with aligning the marks that are marked while removal.
4. Install and tighten the lock nut to specified torque. Refer to [PR-5, "Components"](#).

CAUTION:

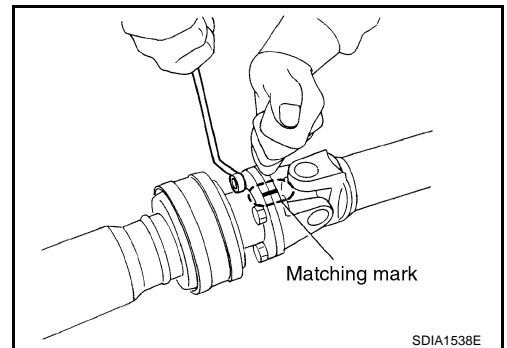
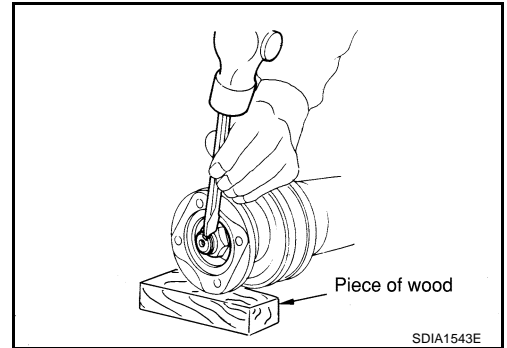
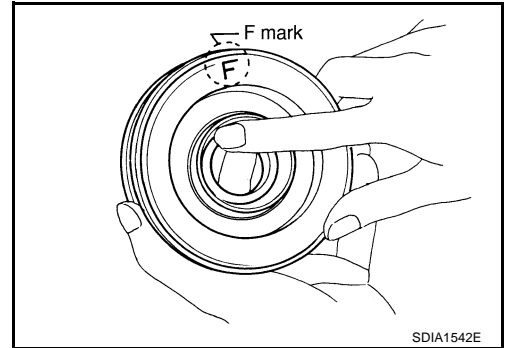
Do not use the lock nut.

5. Place a piece of wood under the center flange, stake the lock nut against the propeller shaft groove.

6. Assemble the 1st and 2nd shaft propeller shafts while aligning the matching marks that are marked during removal.
7. Install and tighten the bolts/nuts and tighten them to specified torque. Refer to [PR-5, "Components"](#).

CAUTION:

Do not reuse the bolts, nuts and washers.



A
B
C
PR
E
F
G
H
I
J
K
L
M

SERVICE DATA AND SPECIFICATIONS (SDS)

SERVICE DATA AND SPECIFICATIONS (SDS)

PFP:00030

General Specifications

ADS001DA

Applied model		VQ35DE	
		M/T	A/T
Propeller shaft model		3S80A	
Number of joints		3	
Coupling method with transmission		Sleeve type	
Shaft length	1st (Spider to spider)	619 mm (24.37 in)	581 mm (22.87 in)
	2nd (Spider to spider)	902 mm (35.51 in)	
Shaft outer diameter	1st	82.6 mm (3.25 in)	
	2nd	82.6 mm (3.25 in)	

Journal Axial Play

ADS001DB

Model	3S80A
Journal axial play	0 mm (0 in)

Propeller Shaft Runout

ADS001DC

Model	3S80A
Propeller shaft runout limit	0.6 mm (0.024 in) or less