

A  
SECTION **EX** EX  
EXHAUST SYSTEM C

D  
E  
CONTENTS

<b>PREPARATION</b> .....	2	REMOVAL .....	4	F
Commercial Service Tools .....	2	INSTALLATION .....	4	
<b>EXHAUST SYSTEM</b> .....	3	Inspection After Installation .....	4	
Checking Exhaust System .....	3	<b>SERVICE DATA AND SPECIFICATIONS (SDS)</b> .....	5	G
Removal and Installation .....	3	Tightening Torque .....	5	

D  
E  
F  
G  
H  
I  
J  
K  
L  
M

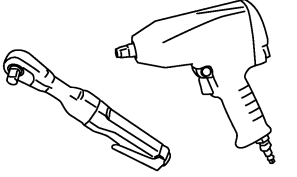
# PREPARATION

## PREPARATION

PFP:00002

### Commercial Service Tools

ABS00021

Tool name	Description
<p data-bbox="140 312 252 338">Power tool</p>  <p data-bbox="836 534 906 549">PBIC0190E</p>	<p data-bbox="999 312 1254 338">Loosening nuts and bolts</p>

# EXHAUST SYSTEM

## EXHAUST SYSTEM

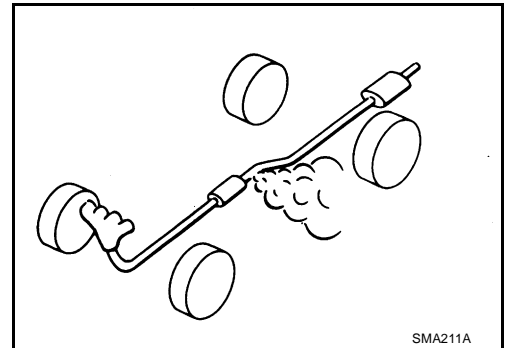
PFP:20100

### Checking Exhaust System

ABS0002X

Check exhaust pipes, muffler and mounting for improper attachment, leaks, cracks, damage or deterioration.

- If anything is found, repair or replace damaged parts.

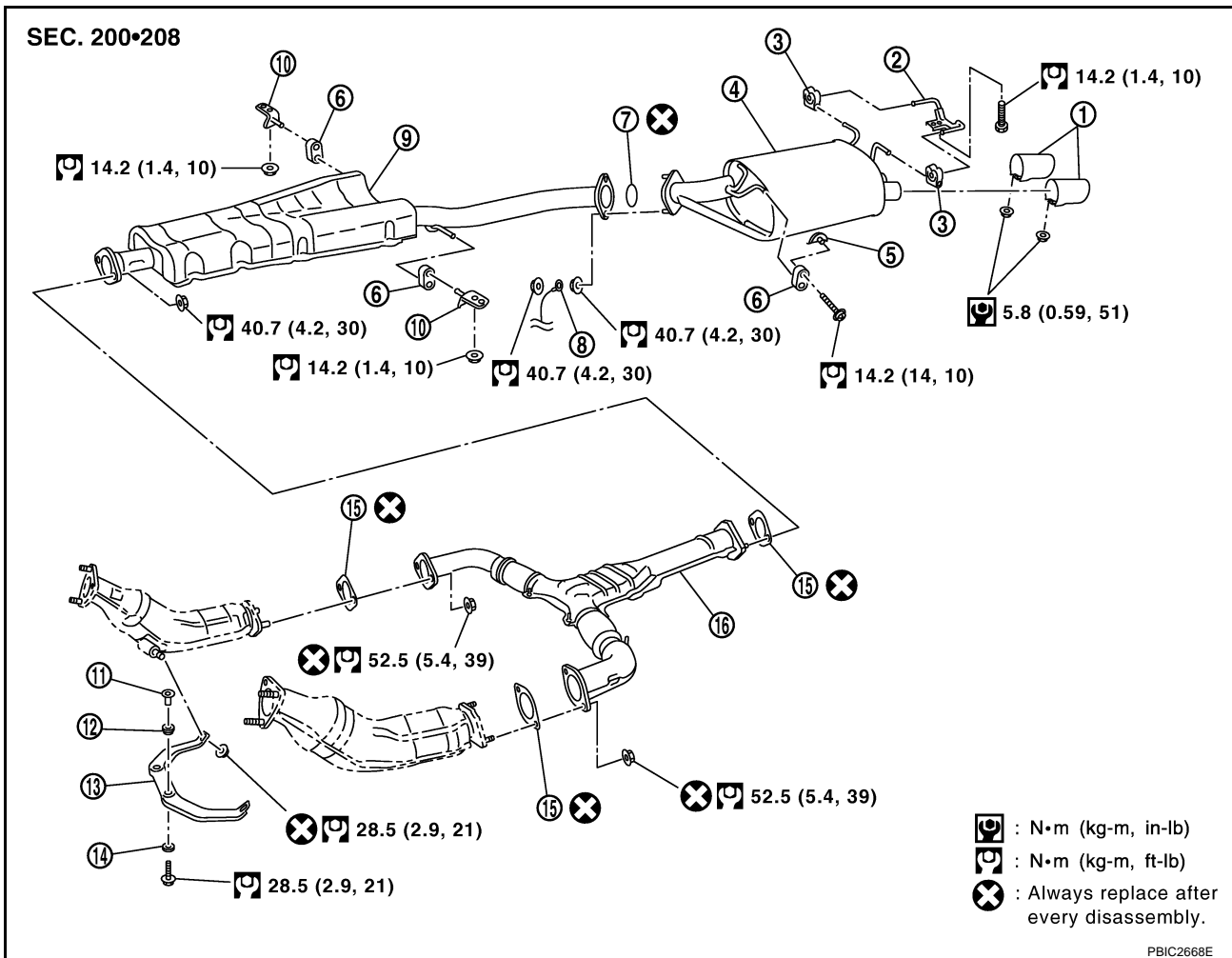


### Removal and Installation

ABS0002Y

#### CAUTION:

- Be sure to use genuine exhaust system parts or equivalents which are specially designed for heat resistance, corrosion resistance, and shape.
- Perform the operation with the exhaust system fully cooled down because the system will be hot just after the engine stops.
- Be careful not to cut your hand on the insulator edge.



- |                      |                     |                    |
|----------------------|---------------------|--------------------|
| 1. Finisher          | 2. Mounting bracket | 3. Mounting rubber |
| 4. Main muffler      | 5. Collar           | 6. Mounting rubber |
| 7. Ring gasket       | 8. Ground cable     | 9. Center muffler  |
| 10. Mounting bracket | 11. Collar          | 12. Grommet        |

# EXHAUST SYSTEM

---

13. Exhaust mounting bracket

14. Grommet

15. Gasket

16. Exhaust front tube

## REMOVAL

- Disconnect each joint and mounting using power tool.

## INSTALLATION

- Install in the reverse order of removal.

### CAUTION:

- **Always replace exhaust gaskets with new ones when reassembling.**
- **If the insulator is badly deformed, repair or replace it. If deposits such as mud pile up on the insulator, remove them.**
- **When installing the insulator avoid large gaps or interference between the insulator and each exhaust pipe.**
- **Remove deposits from the sealing surface of each connection. Connect them securely to avoid gas leakage.**
- **Temporarily tighten mounting nuts on the exhaust manifold side and mounting bolts on the vehicle side. Check each part for unusual interference, and then tighten them to the specified torque.**
- **When installing each mounting rubber, avoid twisting or unusual extension in up/down and right/left directions.**

## Inspection After Installation

ABS000ZZ

- Make sure that clearance between finisher and rear bumper is even.
- With the engine running, check exhaust tube joints for gas leakage and unusual noises.
- Check to ensure that mounting brackets and mounting rubbers are installed properly and free from undue stress. Improper installation could result in excessive noise and vibration.

# SERVICE DATA AND SPECIFICATIONS (SDS)

## SERVICE DATA AND SPECIFICATIONS (SDS)

PPF:00030

### Tightening Torque

ABS00032

Unit: N·m (kg·m, ft·lb)  
Unit: N·m (kg·m, in·lb)\*

Exhaust system connections			
Between three way catalyst and exhaust front tube		52.5 (5.4, 39)	
Between exhaust front tube and center muffler		40.7 (4.2, 30)	
Between center muffler and main muffler		40.7 (4.2, 30)	
Exhaust mounting bracket		28.5 (2.9, 21)	
Center muffler mounting bracket		14.2 (1.4, 10)	
Main muffler mounting bracket		14.2 (1.4, 10)	
Finisher		5.8 (0.59, 51)*	

A

EX

C

D

E

F

G

H

I

J

K

L

M

# SERVICE DATA AND SPECIFICATIONS (SDS)

---