

SECTION **RFD**  
REAR FINAL DRIVE

A  
B  
C

RFD

CONTENTS

E

<b>PREPARATION</b> .....	<b>2</b>	BLY .....	14	F
Special Service Tools .....	2	REMOVAL OF DRIVE PINION ASSEMBLY .....	15	
Commercial Service Tools .....	4	DISASSEMBLY OF DIFFERENTIAL CASE		
<b>NOISE, VIBRATION AND HARSHNESS (NVH)</b>		ASSEMBLY .....	16	G
<b>TROUBLESHOOTING</b> .....	<b>5</b>	INSPECTION .....	17	
NVH Troubleshooting Chart .....	5	ADJUSTMENT OF DIFFERENTIAL CASE .....	18	
<b>FRONT OIL SEAL</b> .....	<b>6</b>	SIDE BEARING PRELOAD .....	18	H
Removal and Installation .....	6	PINION GEAR HEIGHT .....	20	
REMOVAL .....	6	TOOTH CONTACT .....	23	
INSTALLATION .....	7	ASSEMBLY OF DIFFERENTIAL CASE ASSEM-		
<b>SIDE OIL SEAL</b> .....	<b>8</b>	BLY .....	24	I
Removal and Installation .....	8	INSTALLATION OF DRIVE PINION ASSEMBLY..	25	
REMOVAL .....	8	INSTALLATION OF DIFFERENTIAL CASE		
INSTALLATION .....	8	ASSEMBLY .....	26	J
<b>REAR FINAL DRIVE ASSEMBLY</b> .....	<b>10</b>	<b>SERVICE DATA AND SPECIFICATIONS (SDS) .....</b>	<b>29</b>	
Removal and Installation .....	10	General Specifications .....	29	
REMOVAL .....	10	Drive Gear Runout .....	29	
INSTALLATION .....	11	Side Gear Adjustment .....	29	K
Components .....	12	AVAILABLE SIDE GEAR THRUST WASHERS...	29	
Pre-Inspection .....	13	Drive Pinion Height Adjustment .....	29	
TOTAL PRELOAD .....	13	AVAILABLE PINION HEIGHT ADJUSTING		
DRIVE GEAR TO DRIVE PINION BACKLASH...	13	WASHERS .....	29	L
DRIVE GEAR RUNOUT .....	13	Drive Pinion Preload Adjustment .....	29	
TOOTH CONTACT .....	13	Side Bearing Preload Adjustment .....	30	M
Disassembly and Assembly .....	14	SIDE BEARING ADJUSTING WASHERS .....	30	
REMOVAL OF DIFFERENTIAL CASE ASSEM-		Total Preload Adjustment .....	30	

# PREPARATION

PFP:00002

ADS000D7

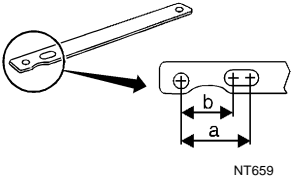
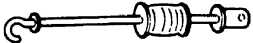
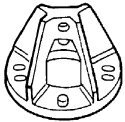

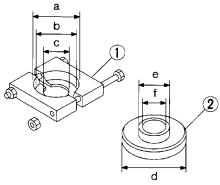
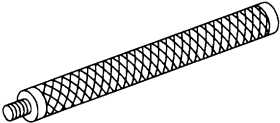
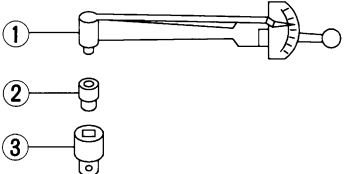
## PREPARATION

### Special Service Tools

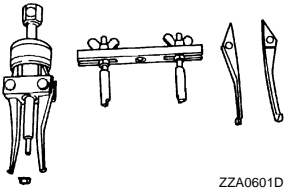

The actual shapes of Kent-Moore tools may differ from those of special service tools illustrated here.

Tool name Tool number (Kent-Moore No.)	Description
Drift ST30720000 (J25405) a: 77 mm (3.03 in) dia. b: 55 mm (2.17 in) dia.	Installing front oil seal
Drift KV38100200 (J26233) a: 65 mm (2.56 in) dia. b: 49 mm (1.93 in) dia.	Installing final drive side oil seal
Protector KV38107900 (J39352)	Installing final drive side flange
Attachment KV38100800 (J25604-01) a: 541 mm (21.30 in) b: 200 mm (7.87 in)	Fixing unit assembly
Differential side bearing puller set ST3306S001 (-) 1.ST3305S001 (-) 2.ST33061000 (J8107-2) a: 28.5 mm (1.122 in) dia. b: 38 mm (1.50 in) dia.	Removing and installing side bearing
Drift ST30613000 (J25742-3) a: 72 mm (2.83 in) dia. b: 48 mm (1.89 in) dia.	Installing pinion front and rear bearing outer race
Drift KV38100300 (J25523) a: 54 mm (2.13 in) dia. b: 46 mm (1.81 in) dia. c: 32 mm (1.26 in) dia.	Installing side bearing

# PREPARATION

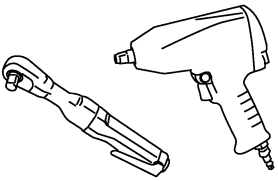
Tool name Tool number (Kent-Moore No.)	Description	
Drive pinion flange wrench KV40104000 ( - ) a : 85 mm (3.35 in) dia. b : 65 mm (2.56 in) dia.	 Removing and installing drive pinion lock nut	A B C
Sliding hammer ST36230000 (J25840-A)	 Removing side flange	RFD E
Axle stand KV40104100 ( - )	 Removing side flange	F G
Sliding hammer HT72400000 ( - )	 Removing differential case assembly	H I J
Drive pinion rear inner race puller set ST3090S000 ( - ) 1. ST30031000 (J22912-01) Puller 2. ST30901000 ( - ) Base Equivalent tool (J26010-01) a : 90 mm (3.54 in) dia. b : 80 mm (3.15 in) dia. c : 50 mm (1.97 in) dia. d : 79 mm (3.11 in) dia. e : 45 mm (1.77 in) dia. f : 35 mm (1.38 in) dia.	 Removing and installing drive pinion rear bearing inner race	K L M
Drift ST30611000 (J25742-1)	 Installing pinion rear bearing outer race (Use with ST30613000)	
Preload gauge ST3127S000 (see J25765-A) 1. GG91030000 Torque wrench (J25765) 2. HT62940000 ( - ) Socket adapter (1/2") 3. HT62900000 ( - ) Socket adapter (3/8")	 Measuring pinion bearing preload and total preload	

# PREPARATION

Tool name Tool number (Kent-Moore No.)	Description
Side bearing outer race puller ST33290001 (J34286)	Removing oil seal
 <p style="text-align: right; margin-right: 50px;">ZZA0601D</p>	
Differential shim selection (J34309)	Adjusting bearing preload gear height
 <p style="text-align: right; margin-right: 50px;">NT134</p>	

## Commercial Service Tools

ADS000D8

Tool name	Description
Power tool	Loosening bolts and nuts
 <p style="text-align: right; margin-right: 50px;">PBIC0190E</p>	

# NOISE, VIBRATION AND HARSHNESS (NVH) TROUBLESHOOTING

## NOISE, VIBRATION AND HARSHNESS (NVH) TROUBLESHOOTING

PFP:00003

### NVH Troubleshooting Chart

ADS000D9

Use the chart below to help you find the cause of the symptom. If necessary, repair or replace these parts.

Symptom	DIFFERENTIAL	Noise	Reference page	Possible cause and SUSPECTED PARTS
x			Refer to <a href="#">RFD-17, "INSPECTION"</a>	Rough gear tooth
x			Refer to <a href="#">RFD-23, "TOOTH CONTACT"</a>	Improper gear contact
x			Refer to <a href="#">RFD-17, "INSPECTION"</a>	Tooth surfaces worn
x			Refer to <a href="#">RFD-13, "Pre-Inspection"</a>	Incorrect backlash
x			—	Companion flange excessive runout
x			Refer to <a href="#">MA-22, "CHASSIS AND BODY MAINTENANCE"</a>	Improper gear oil
x			NVH in PR section.	PROPELLER SHAFT
x			NVH in FAX, RAX, FSU and RSU sections.	AXLE AND SUSPENSION
x			NVH in WT section.	TIRES
x			NVH in WT section.	ROAD WHEEL
x			NVH in RAX section.	DRIVE SHAFT
x			NVH in BR section.	BRAKES
x			NVH in PS section.	STEERING

x: Applicable

A  
B  
C  
**RFD**  
E  
F  
G  
H  
I  
J  
K  
L  
M

# FRONT OIL SEAL

PFP:38189

ADS000DA

## FRONT OIL SEAL

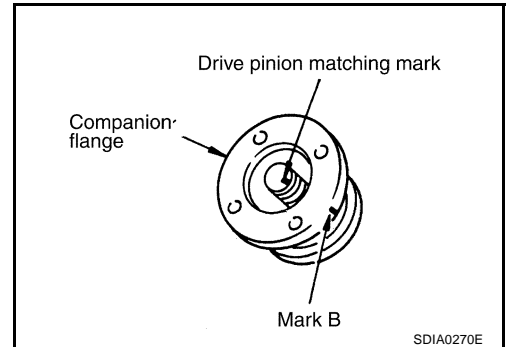
### Removal and Installation

#### REMOVAL

1. Remove the propeller shaft. Refer to [PR-4, "REAR PROPELLER SHAFT"](#).
2. Put a mark on the end of the drive pinion corresponding to the B position mark on the final drive companion flange.

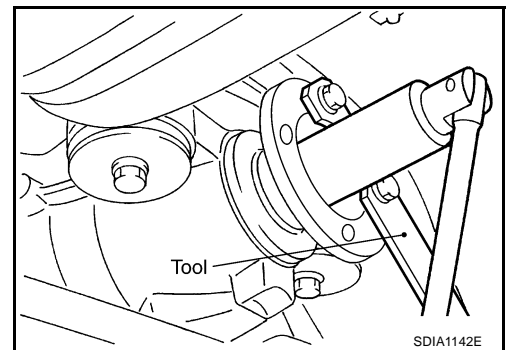
**CAUTION:**

- For matching mark, use paint. Never damage drive pinion.
- The mark on the final drive companion flange indicates the maximum vertical runout position.



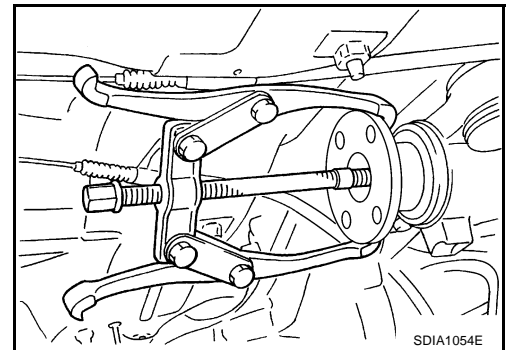
3. Using the drive pinion flange wrench, Remove drive pinion nut.

**Tool number** : KV40104000 ( - )



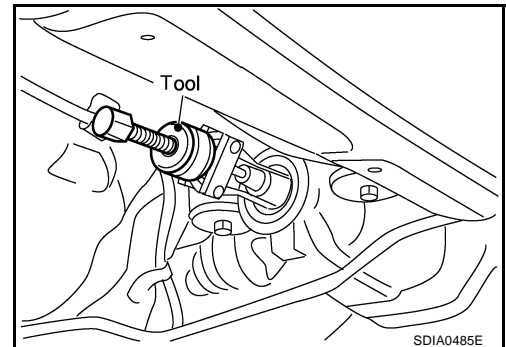
4. Using the puller, remove the companion flange.

**Tool number** : Commercial service tool



5. Using the side bearing outer race puller, remove oil seal.

**Tool number** : ST33290001 (J34286)



# FRONT OIL SEAL

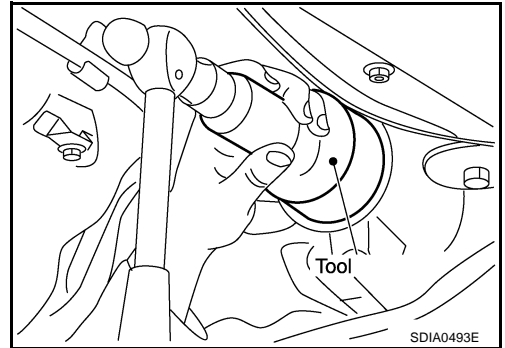
## INSTALLATION

1. Apply multi-purpose grease to sealing lips of oil seal. Press front oil seal into carrier with tool.

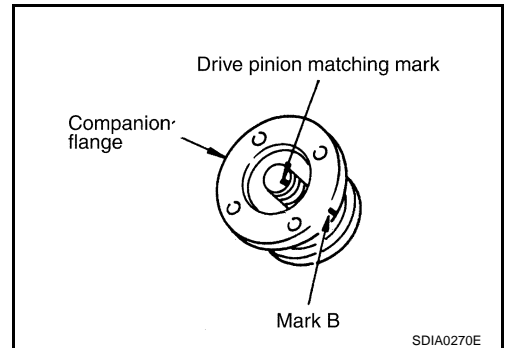
**Tool number** : ST30720000 (J25405)

### CAUTION:

- When installing the oil seal, be careful not to get it inclined.
- Discard the old oil seal. Always replace with new one.




2. Align the matching mark of drive pinion with the matching mark B of companion flange, then install the companion flange.



3. Apply oil or grease on the screw part of drive pinion and the seating surface of drive pinion nut.
4. Install drive pinion nut with tool.

**Tool number** : KV40104000 ( - )

 : 147 - 323N·m (15.0 - 32.0 kg·m, 109 - 238 ft·lb)

### CAUTION:

**The drive pinion nut is not reusable. Never reuse drive pinion nut.**

5. Install propeller shaft. Refer to [PR-4, "REAR PROPELLER SHAFT"](#) .

A  
B  
C  
RFD

E  
F  
G  
H

I  
J  
K  
L  
M

# SIDE OIL SEAL

## SIDE OIL SEAL

PFP:33142

### Removal and Installation

ADS000EW

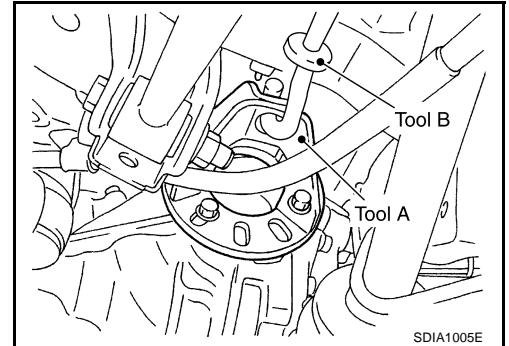
#### REMOVAL

1. Remove side flange with the following procedure for press-fitting.
  - a. Remove rear wheel sensor. Refer to [BRC-76, "WHEEL SENSOR"](#).
  - b. Remove drive shaft and axle assembly. Refer to [RAX-9, "REAR DRIVE SHAFT"](#) and [RAX-5, "WHEEL HUB"](#).
  - c. Install axle stand to side flange.

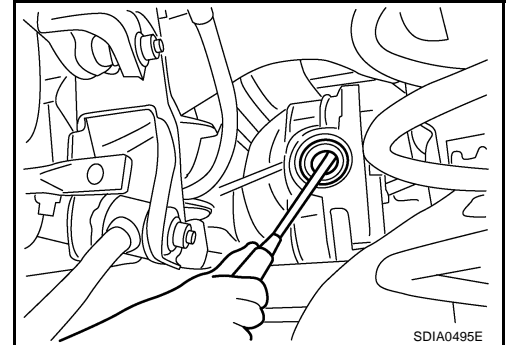
**Tool number A** : KV40104100 ( - )

- d. Using a sliding hammer, pull out the side flange.

**Tool number B** : ST36230000 (J25840-A)



2. Remove oil seal using a flat-bladed screwdriver.



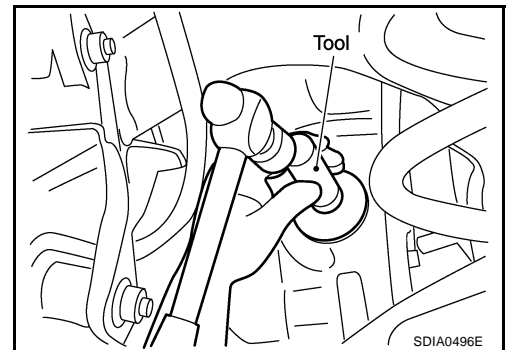
#### INSTALLATION

1. Apply multi-purpose grease to sealing lips of oil seal.
2. Using the drift, press-fit oil seal so that its surface comes face to face with the end surface of the case.

**Tool number** : KV38100200 (J26233)

#### CAUTION:

- When installing the oil seal be careful not to get it inclined.
- Discard the old oil seal. Always replace with new one.

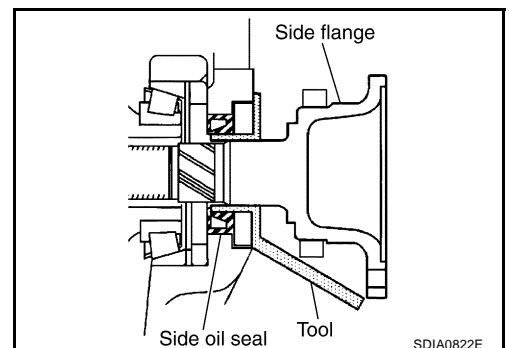


3. Install the side flange with the following procedure.

- a. Attach the protector to side oil seal.

**Tool number** : KV38107900 (J39352)

- b. After the side flange is inserted and the serrated part of side gear has engaged the serrated part of flange, remove the protector.





## SIDE OIL SEAL

- c. Put suitable drift on the center of side flange, then drive it until sound changes.

**NOTE:**

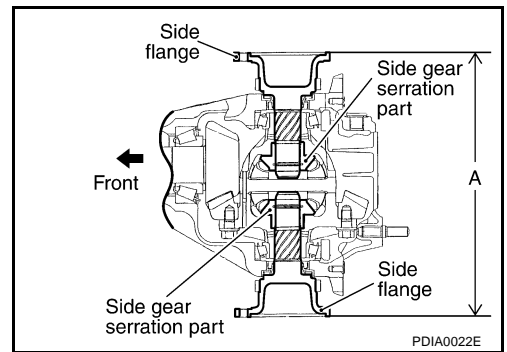
When installation is completed, driving sound of the side flange turns into a sound which seems to affect the whole final drive.

4. Confirm that the dimension of the side flange installation (Measurement A) in the illustration comes into the following.

**Measurement A**

**: Approx. 326 - 328 mm (12.83 - 12.91 in)**

5. Install the drive shaft and axle assembly. Refer to [RAX-5, "WHEEL HUB"](#), and [RAX-9, "REAR DRIVE SHAFT"](#).
6. Align the installing position of the wheel sensor. Refer to [BRC-76, "WHEEL SENSOR"](#).



A

B

C

RFD

E

F

G

H

I

J

K

L

M

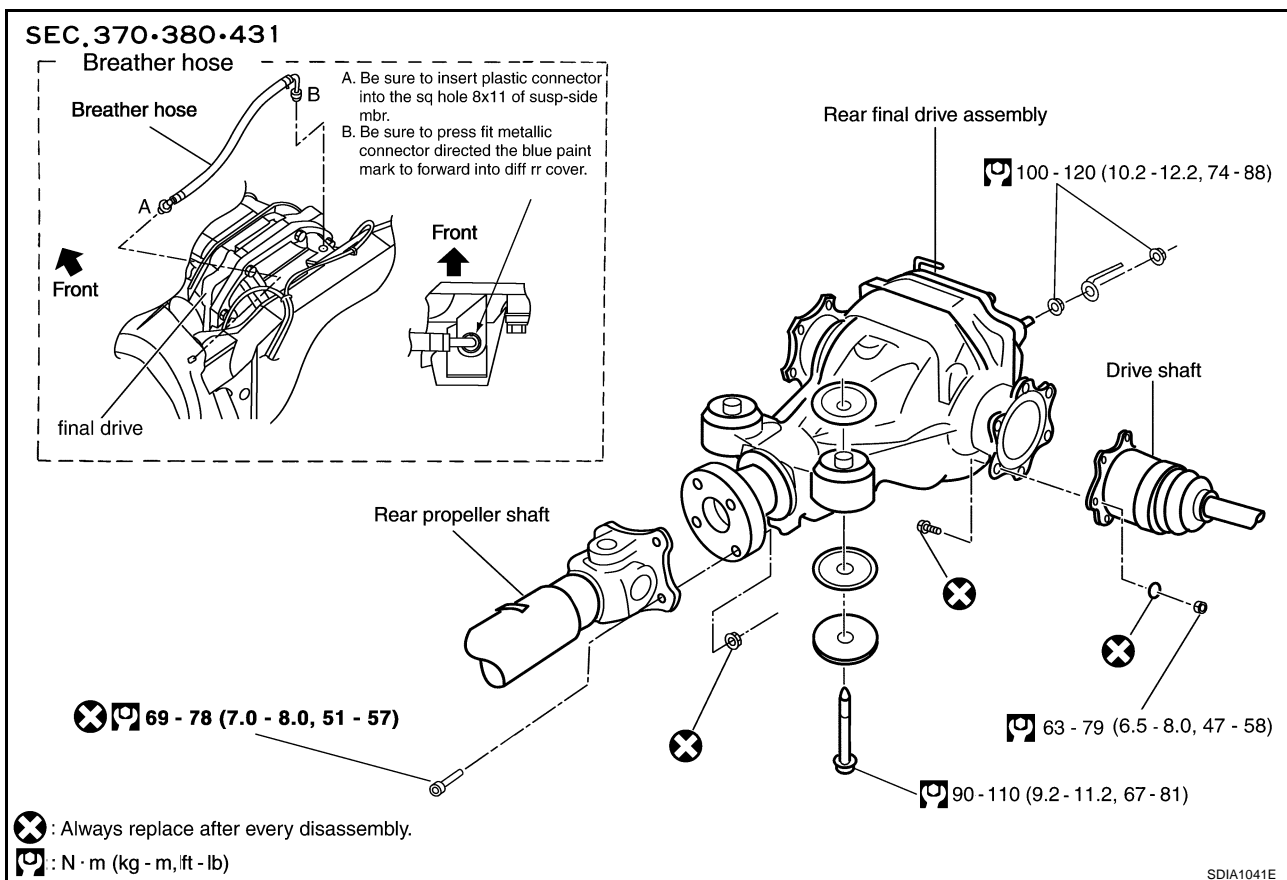
# REAR FINAL DRIVE ASSEMBLY

PFP:38300

ADS000EX

## REAR FINAL DRIVE ASSEMBLY

### Removal and Installation



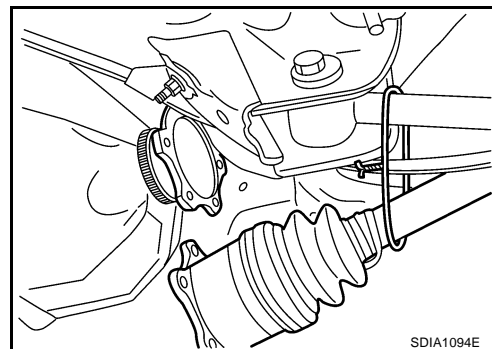
### REMOVAL

1. Remove exhaust center tube with power tool. [EX-3, "EXHAUST SYSTEM"](#) .
2. Remove rear stabilizer bar with power tool. Refer to [RSU-15, "STABILIZER BAR"](#) .
3. Remove rear propeller shaft from the final drive. Refer to [PR-5, "REMOVAL"](#) .
4. Remove rear drive shaft from final drive. Then suspend it by wire etc. Refer to [RAX-9, "REAR DRIVE SHAFT"](#) .
5. Remove breather hose from the final drive.
6. Remove wheel sensor. Refer to [BRC-76, "WHEEL SENSOR"](#) .
7. Place a transmission jack on the final drive.

#### CAUTION:

**Do not place a transmission jack on the rear cover (aluminum case).**

8. Remove the mounting bolts and nuts connecting to the suspension member, and remove the rear final drive.



# REAR FINAL DRIVE ASSEMBLY

---

## INSTALLATION

Install in the reverse order of removal.

**CAUTION:**

After installation, check the final drive oil level. Refer to [MA-26, "Checking Differential Gear Oil"](#).

A

B

C

RFD

E

F

G

H

I

J

K

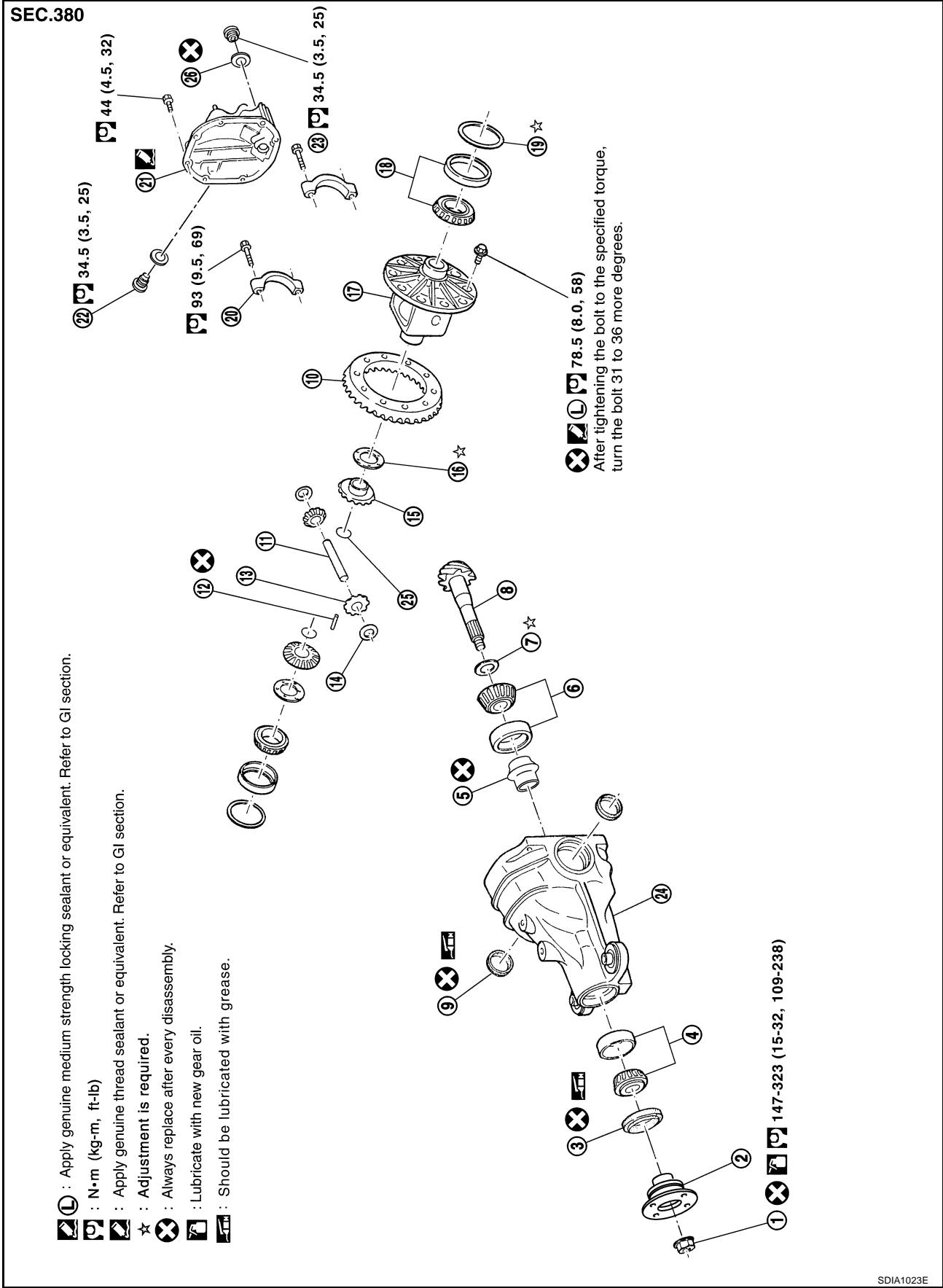
L

M

# REAR FINAL DRIVE ASSEMBLY

ADS000EY

## Components



SDIA1023E

# REAR FINAL DRIVE ASSEMBLY

- |                                   |   |                        |
|-----------------------------------|---|------------------------|
| 1. Drive pinion nut               | 2. Companion flange                                     | 3. Front oil seal      |
| 4. Pinion front bearing           | 5. Pinion bearing adjusting spacer (Collapsible spacer) | 6. Pinion rear bearing |
| 7. Pinion height adjusting washer | 8. Drive pinion   | 9. Side oil seal       |
| 10. Drive gear                    | 11. Pinion mate shaft                                   | 12. Look pin           |
| 13. Pinion mate gear              | 14. Pinion mate thrust washer                           | 15. Side gear          |
| 16. Side gear thrust washer       | 17. Differential case                                   | 18. Side bearing       |
| 19. Side bearing adjusting washer | 20. Bearing cap   | 21. Rear cover         |
| 22. Filler plug                   | 23. Drain plug  | 24. Gear carrier       |
| 25. Circular clip                 | 26. Gasket  |                        |

A  
B  
C  
RFD

## Pre-Inspection

ADS000EZ

Before disassembling final drive, drain off oil from final drive assembly and remove the rear cover. Then, perform the following inspection.

### TOTAL PRELOAD

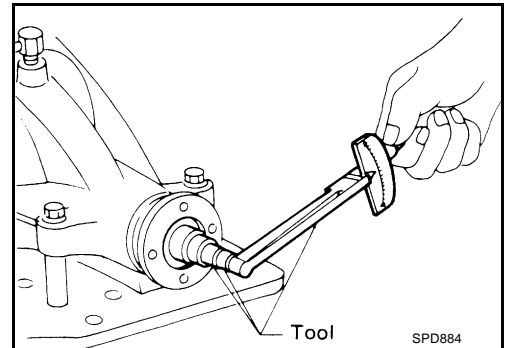
1. Turn drive pinion in both directions several times to set bearing rollers.
2. Check total preload with Tool.

#### Tool number

: ST3127S000 (see J25765-A)

#### Total preload

: 2.84 - 3.75 N-m (0.29 - 0.38 kg-m, 26 - 33 in-lb)

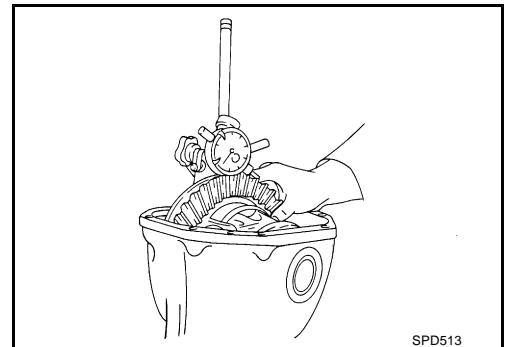


### DRIVE GEAR TO DRIVE PINION BACKLASH

Check drive gear to drive pinion backlash with a dial indicator at several points.

#### Drive gear backlash

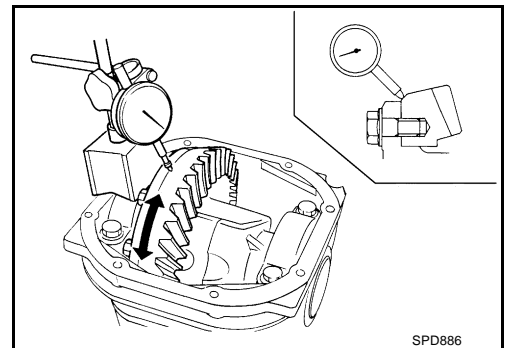
: 0.10 - 0.15 mm (0.0039 - 0.0059 in)



### DRIVE GEAR RUNOUT

Check runout of drive gear with a dial indicator.

Runout limit : 0.05 mm (0.0020 in) less



### TOOTH CONTACT

Check tooth contact. Refer to [RFD-23, "TOOTH CONTACT"](#).

E  
F  
G  
H  
I  
J  
K  
L  
M

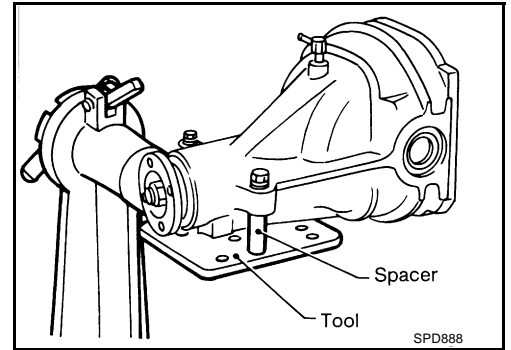
# REAR FINAL DRIVE ASSEMBLY

ADS000F0

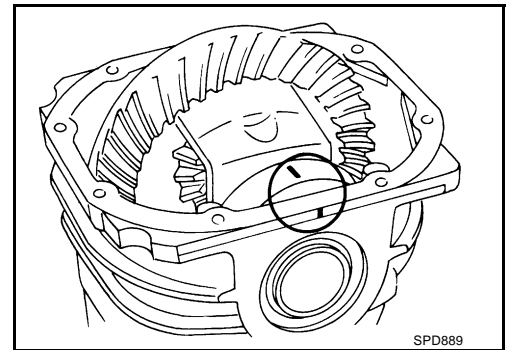
## Disassembly and Assembly REMOVAL OF DIFFERENTIAL CASE ASSEMBLY

1. Using two 45 mm (1.77 in) spacers, mount carrier on Tool.

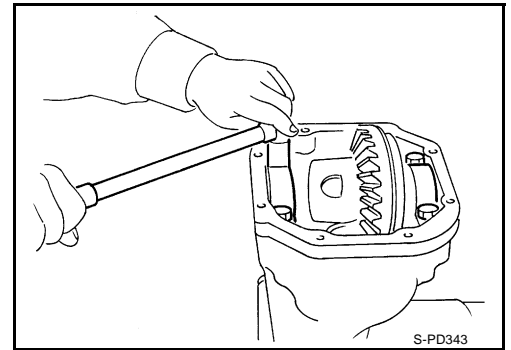
**Tool number : KV38100800 (J25604-01)**



2. For proper reinstallation, paint match marks on one side of the bearing cap.  
Bearing caps are line-board during manufacture. Replace them in their proper positions.

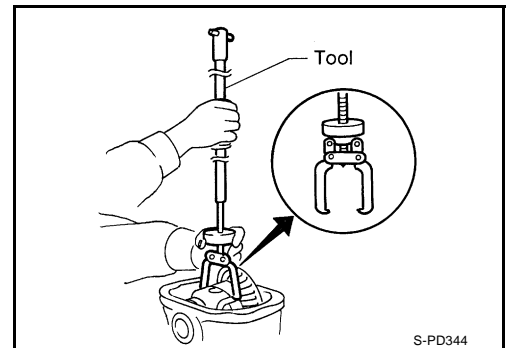


3. Remove bearing caps.



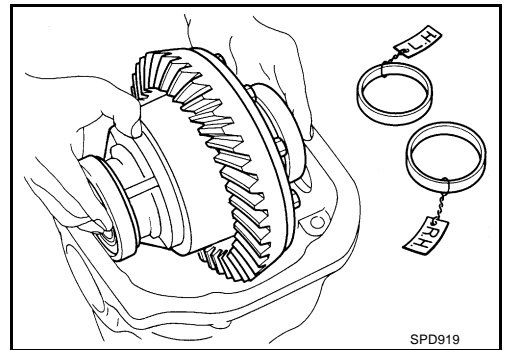
4. Lift differential case assembly out with Tool.

**Tool number : HT72400000 (-)**



## REAR FINAL DRIVE ASSEMBLY

- Keep the side bearing outer races together with inner races. Do not mix them up. Also, keep adjusting washers together with bearings.



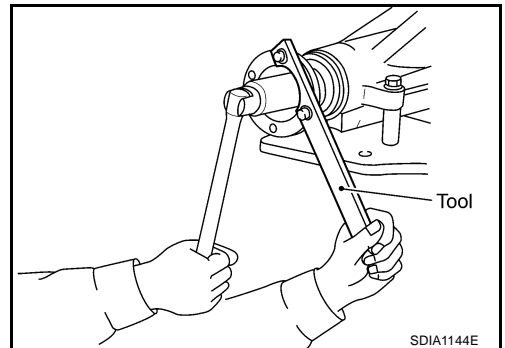
A  
B  
C

RFD

### REMOVAL OF DRIVE PINION ASSEMBLY

1. Put match marks on companion flange and drive pinion with paint.
2. Loosen drive pinion nut with tool.

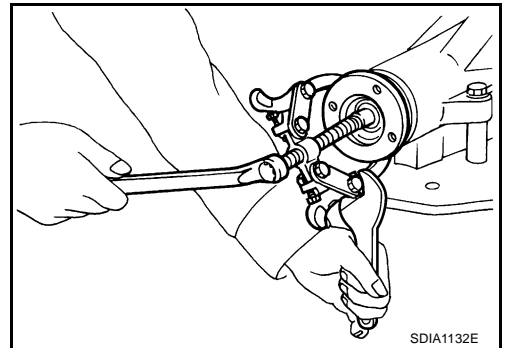
**Tool number** : KV40104000 (-)



E  
F  
G

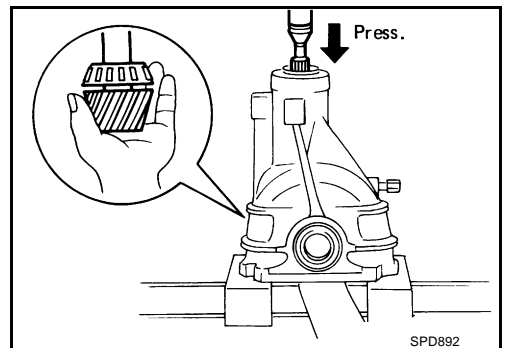
3. Using the puller remove companion flange.

**Tool number** : Commercial service tool



H  
I  
J  
K

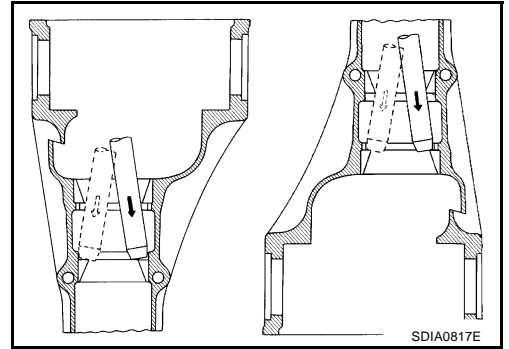
4. Take out drive pinion (together with rear bearing inner race, bearing adjusting spacer).
5. Remove front oil seal. Refer to [RFD-6. "FRONT OIL SEAL"](#)
6. Remove pinion front bearing inner race.
7. Remove side oil seal. Refer to [RFD-8. "SIDE OIL SEAL"](#)



L  
M

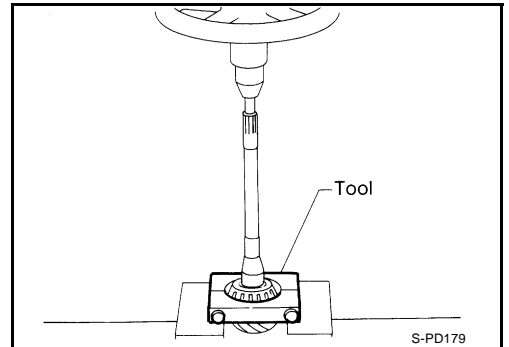
## REAR FINAL DRIVE ASSEMBLY

8. Remove pinion bearing outer races with a brass drift.



9. Remove pinion rear bearing inner race and drive pinion height adjusting washer with Tool.

**Tool number:** : ST30031000 (J22912-01)



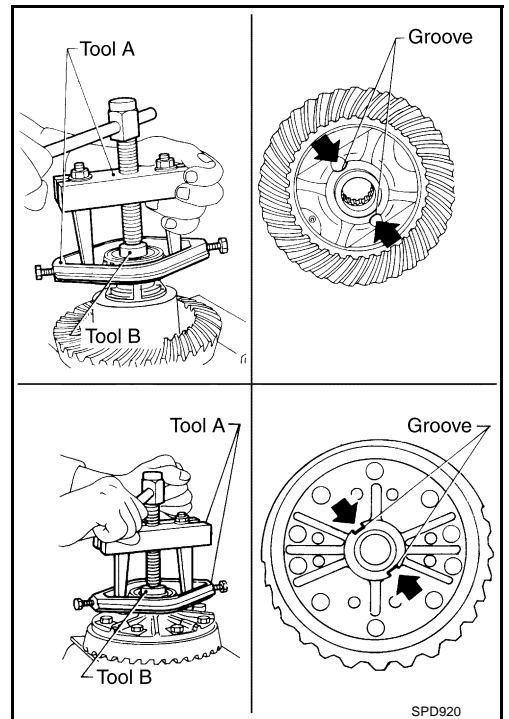
### DISASSEMBLY OF DIFFERENTIAL CASE ASSEMBLY

1. Remove side bearing inner races.

- To prevent damage to bearing, engage puller jaws in groove.

**Tool number** : A ST3305S001 (-)

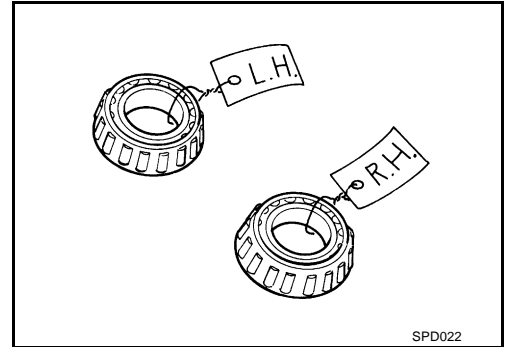
: B ST33061000 (J8107-2)



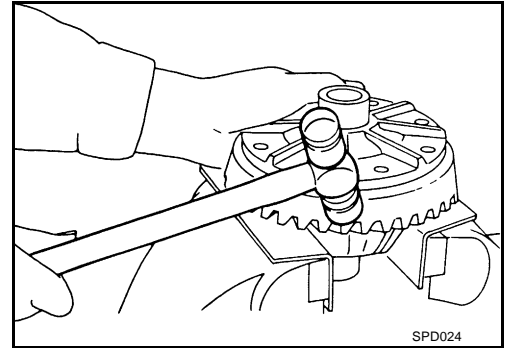


# REAR FINAL DRIVE ASSEMBLY

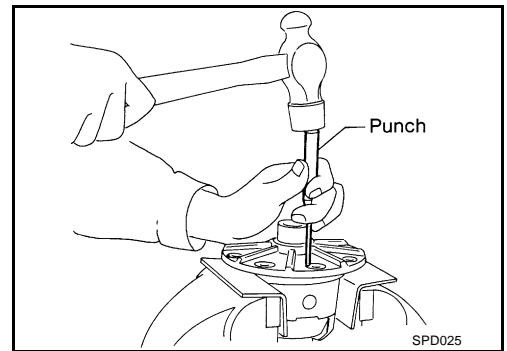
- Be careful not to confuse left- and right-hand parts.



2. Loosen drive gear bolts in a criss-cross fashion.
3. Tap drive gear off the differential case with a soft hammer. Tap evenly all around to keep drive gear from binding.



4. Drive out pinion mate shaft lock pin with punch from drive gear side.



## INSPECTION

Clean up the disassembled parts. Then, inspect the parts for wear and damage. If the parts are worn or damaged, follow the measures below.

Content	Measures
Hypoid gear	<ul style="list-style-type: none"> <li>● If the gear teeth do not mesh or line-up correctly, determine the cause and adjust, repair, or replace as necessary.</li> <li>● If the gear are worn, cracked, damaged, pitted or chipped (by friction) noticeably, replace with a new gears.</li> </ul>
Bearing	<ul style="list-style-type: none"> <li>● If found any chipped (by friction), pitted, worn, rusted, scratched mark, or unusual noise from the Bearing, replace with a new bearing ASSY (as a new set).</li> </ul>
Side gear thrust washer and Pinion mate thrust washer	<ul style="list-style-type: none"> <li>● Replace with a new one if found any cracks or damage on the surface of the tooth.</li> <li>● Replace with a new one if found any worn or chipped mark on the contact sides of the thrust washer.</li> </ul>
Side gear and Pinion mate thrust washer	<ul style="list-style-type: none"> <li>● Replace with a new one if found that it is chipped (by friction), damaged, or unusual worn.</li> </ul>
Oil seal	<ul style="list-style-type: none"> <li>● Oil seals must be replaced with a new one whenever disassembled.</li> </ul>
Differential case	<ul style="list-style-type: none"> <li>● Replace with a new one if found any wear or cracks on the contact sides of the Differential case.</li> </ul>
Companion flange	<ul style="list-style-type: none"> <li>● Replace with a new one if found any chipped marks (about 0.10mm, 0.0039in) or other damage on the contact sides of the Lips of the Companion flange.</li> </ul>

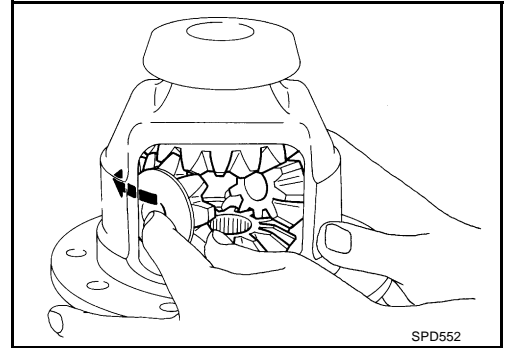
A  
B  
C  
RFD  
E  
F  
G  
H  
I  
J  
K  
L  
M

# REAR FINAL DRIVE ASSEMBLY

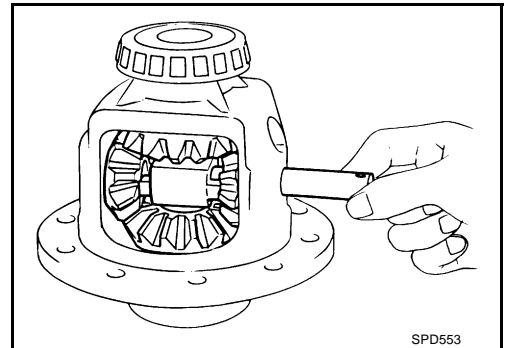
## ADJUSTMENT OF DIFFERENTIAL CASE

### Thrust Washer Selection

1. Install side gears, pinion mate gears, thrust washers into differential case.



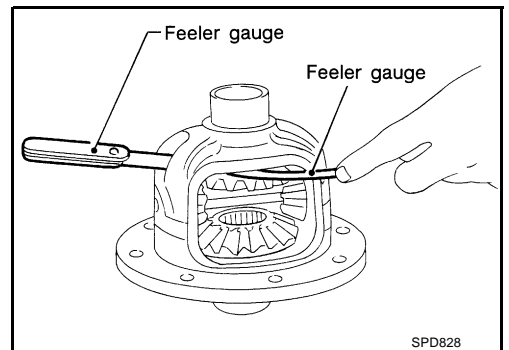
2. Fit pinion mate shaft to differential case so that it meets lock pin holes.



3. Adjust clearance between rear face of side gear and thrust washer by selecting side gear thrust washer. Refer to [RFD-29, "AVAILABLE PINION HEIGHT ADJUSTING WASHERS"](#). Use two feeler gauges to prevent leaning of side gear as shown, figure.

**Clearance between side gear thrust washer and differential case**

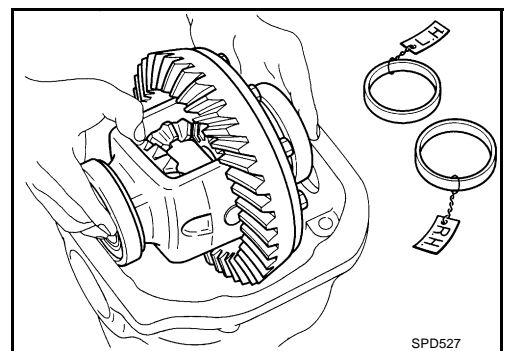
**: 0.20 mm (0.0079 in) less**



### SIDE BEARING PRELOAD

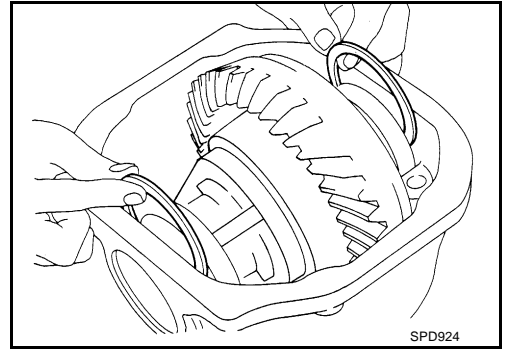
A selection of carrier side bearing adjusting washers is required for successful completion of this procedure.

1. Make sure all parts are clean. Also, make sure the bearings are well lubricated with gear oil.
2. Place the differential carrier, with side bearings and bearing races installed, into the final drive housing.




# REAR FINAL DRIVE ASSEMBLY

3. Insert left and right side bearing adjusting washer in place between side bearings and carrier.

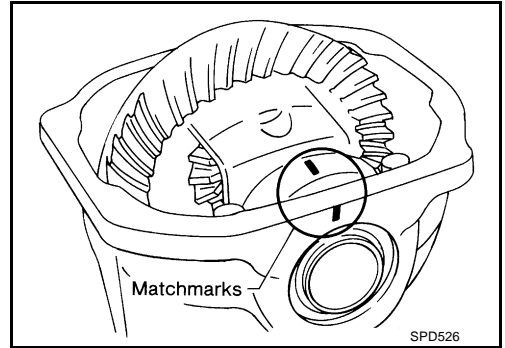


A  
B  
C

4. Install the side bearing caps in their correct locations and torque the bearing cap retaining bolts.

 : 88 - 98 N·m (9.0 - 9.9 kg·m, 65 - 72 ft.-lb)

5. Turn the carrier several times to seat the bearings.



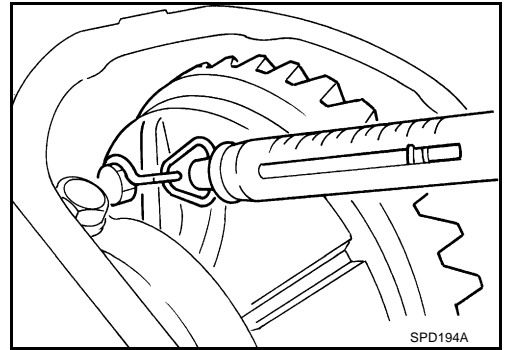
RFD

E  
F  
G

6. Measure the turning torque of the carrier at the drive gear retaining bolts with a spring gauge, J-8129.

**Specification**

: 34.2 - 39.2 N (3.5 - 4 kg, 7.7 - 8.8 lb)  
of pulling force at the drive gear bolt

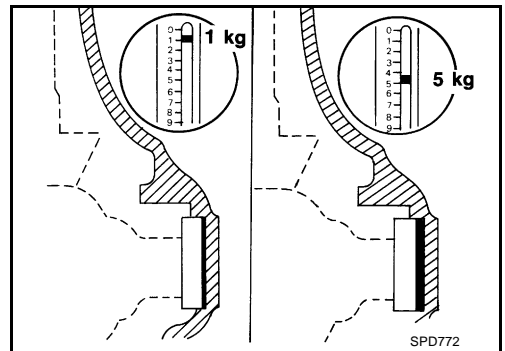


H  
I  
J

7. If the turning torque is not within the specifications, correct the torque as follows:

- If the turning torque is less than the specified range, install washers of greater thickness.
- If the turning torque is greater than the specification, install thinner washers.
- See the SDS section for washer dimensions and part numbers.

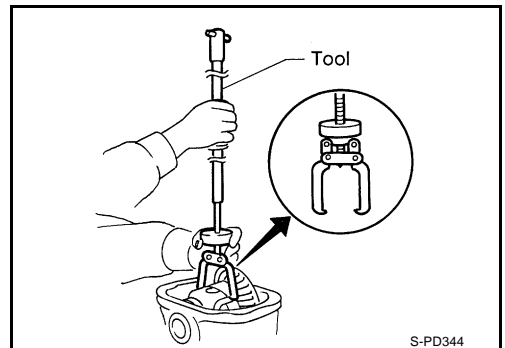
8. Record the total amount of washer thickness required for the correct carrier side bearing preload.



K  
L  
M

9. Remove the carrier from the final drive housing. Save the selected washers for later use during the assembly of the final drive unit.

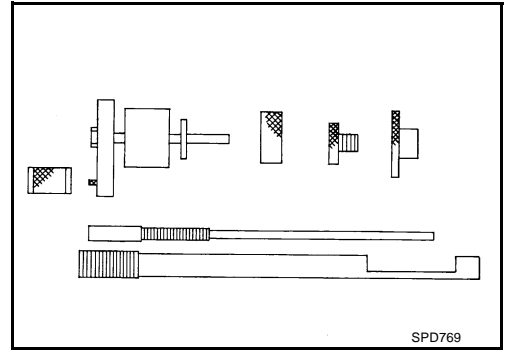
**Tool number** : HT72400000 (-)



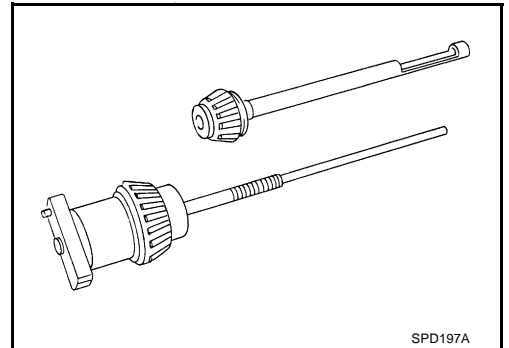
# REAR FINAL DRIVE ASSEMBLY

## PINION GEAR HEIGHT

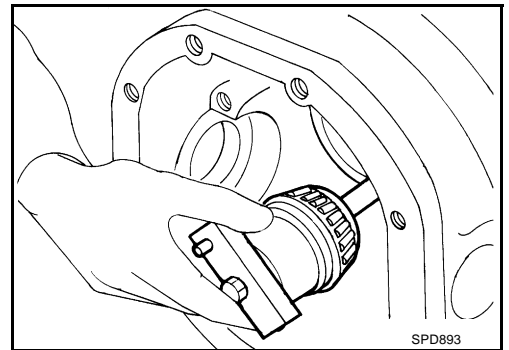
1. Make sure all parts are clean and that the bearings are well lubricated.
2. Assemble the pinion bearings into the differential shim selection Tool, J34309.



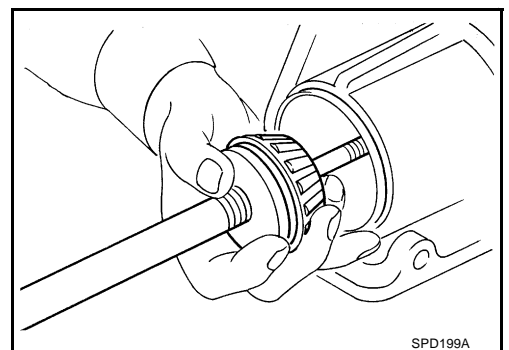
- Pinion front bearing; make sure the J34309-3 pinion front bearing seat is secured tightly against the J34309-2 gauge anvil. Then turn the pinion front bearing pilot, J34309-5, to secure the bearing in its proper position.
- Rear pinion bearing; the pinion rear bearing pilot, J34309-8, is used to center the pinion rear bearing only. The pinion rear bearing locking seat, J34309-4, is used to lock the bearing to the assembly.
- Installation of J34309-9 and J34309-16; place a suitable 2.5 mm (0.098 in) thick plain washer between J34309-9 and J34309-16. Both surfaces of J34309-9 and J34309-16 must be parallel with a clearance of 2.5 mm (0.098 in).



3. Install the pinion rear bearing inner race into the final drive housing. Then place the pinion preload shim selector Tool, J34309-1, gauge screw assembly.

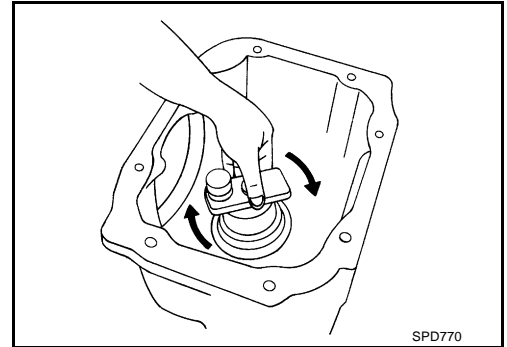


4. Assemble the front pinion bearing inner race and the J34309-2 gauge anvil. Assemble them together with the J34309-1 gauge screw in the final drive housing. Make sure that the pinion height gauge plate, J34309-16, will turn a full 360 degrees. Tighten the two sections together by hand.



# REAR FINAL DRIVE ASSEMBLY

5. Turn the assembly several times to seat the bearings.

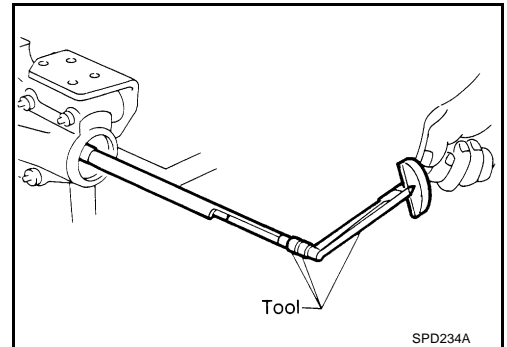


6. Measure the turning torque at the end of the J34309-2 gauge anvil using torque wrench J-25765A.

**Tool number : ST3127S000(seeJ25765-A)**

**Turning torque specification**

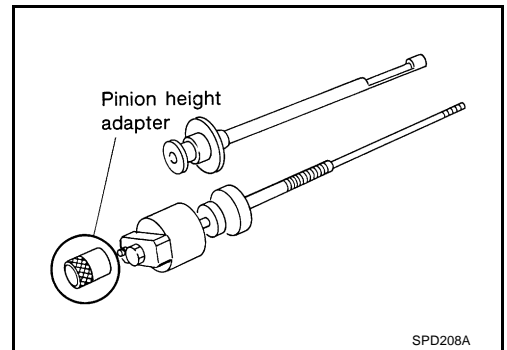
**: 1.0 - 1.3 N-m(0.11 - 0.13 kg-m, 9 - 11 in-lb)**



7. Place the J34309-11 "R200A" pinion height adapter onto the gauge plate and tighten it by hand.

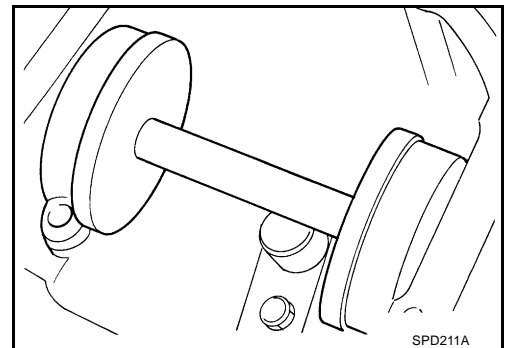
**CAUTION:**

**Make sure all machined surfaces are clean.**



## Pinion Height Adjusting Washer Selection

1. Now, position the side bearing discs, J25269-4, and arbor firmly into the side bearing bores. Install the bearing caps and tighten the cap bolts to proper torque.



A

B

C

RFD

E

F

G

H

I

J

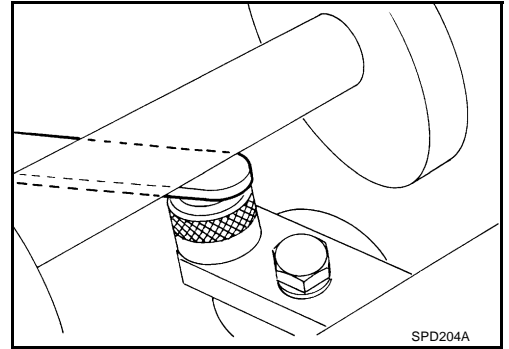
K

L

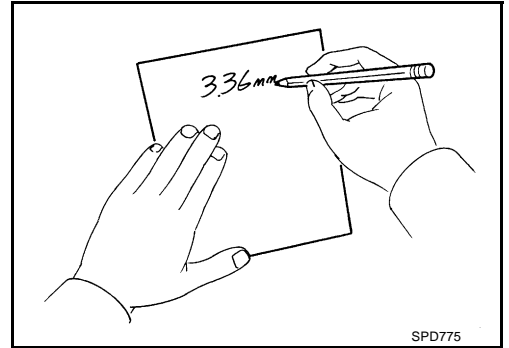
M

# REAR FINAL DRIVE ASSEMBLY

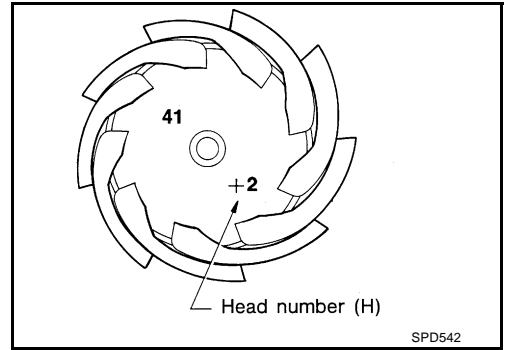
2. Select the correct standard pinion height adjusting washer thickness. Select by using a standard gauge of 3 mm (0.12 in) and your J34309-101 feeler gauge. Measure the distance between the J34309-11 pinion height adapter including the standard gauge and the arbor.



3. Write down your exact measurement (the value of feeler gauge).



4. Correct the pinion height washer size by referring to the "pinion head number".



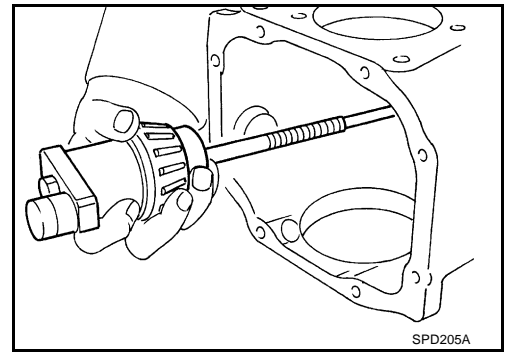
There are two numbers painted on the drive pinion gear. The first one refers to the drive pinion and drive gear as a matched set. This number should be the same as the number on the drive gear. The second number is the "pinion head height number". It refers to the ideal pinion height from standard for quietest operation. Use the following chart to determine the correct pinion height washer.

Pinion head height number	Add or remove from the standard pinion height washer thickness measurement
- 6	Add 0.06 mm (0.0024 in)
- 5	Add 0.05 mm (0.0020 in)
- 4	Add 0.04 mm (0.0016 in)
- 3	Add 0.03 mm (0.0012 in)
- 2	Add 0.02 mm (0.0008 in)
- 1	Add 0.01 mm (0.0004 in)
0	Use the selected washer thickness
+1	Subtract 0.01 mm (0.0004 in)
+2	Subtract 0.02 mm (0.0008 in)
+3	Subtract 0.03 mm (0.0012 in)
+4	Subtract 0.04 mm (0.0016 in)
+5	Subtract 0.05 mm (0.0020 in)
+6	Subtract 0.06 mm (0.0024 in)

5. Select the correct pinion height washer as follows. Refer to [RFD-29, "AVAILABLE PINION HEIGHT ADJUSTING WASHERS"](#).

## REAR FINAL DRIVE ASSEMBLY

- Remove the J34309 pinion differential shim selection Tool from the final drive housing. Then disassemble to retrieve the pinion bearings.



A  
B  
C

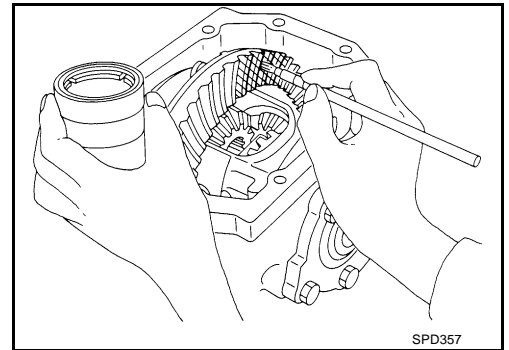
RFD

### TOOTH CONTACT

Checking gear tooth contact pattern is necessary to verify correct relationship between drive gear and drive pinion.

Hypoid gears which are not positioned in proper arrangement may be noisy and/or have a short life. Check gear tooth contact pattern to obtain the best contact for low noise and long life.

- Thoroughly clean drive gear and drive pinion teeth.
- Lightly apply a mixture of powdered ferric oxide and oil or the equivalent. Apply it to 3 or 4 teeth of drive gear drive side.



E

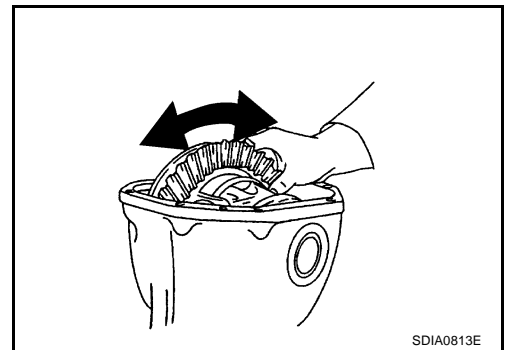
F

G

H

I

- Hold companion flange steady by hand and rotate the drive gear in both directions.



J

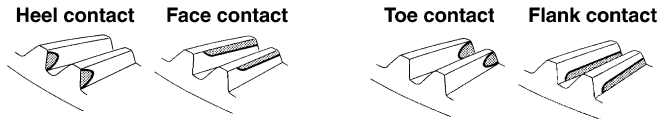
K

L

M

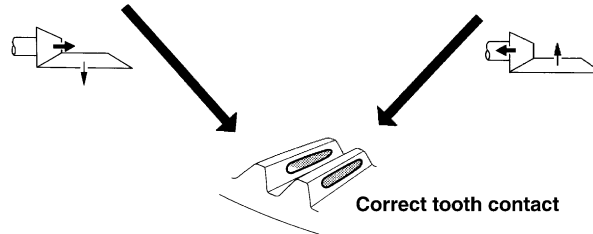
# REAR FINAL DRIVE ASSEMBLY

Usually the pattern will be correct if washers are correctly calculated and the backlash is correct. However, in rare cases, trial and error processes may be employed to obtain a correct pattern. The tooth pattern is the best indication of how well a differential has been set up.



To correct, increase thickness of pinion height adjusting washer in order to bring drive pinion close to ring gear.

To correct, reduce thickness of pinion height adjusting washer in order to make drive pinion go away from ring gear.

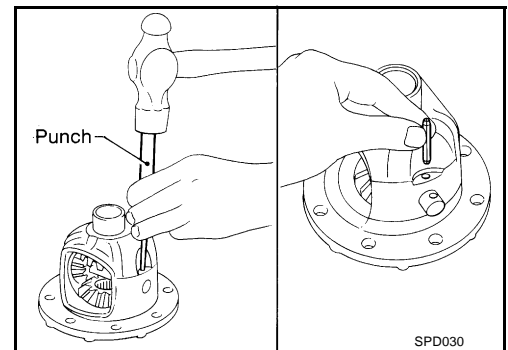


When adjustment is completed, be sure to wipe off completely the ferric oxide and oil or their equivalent.

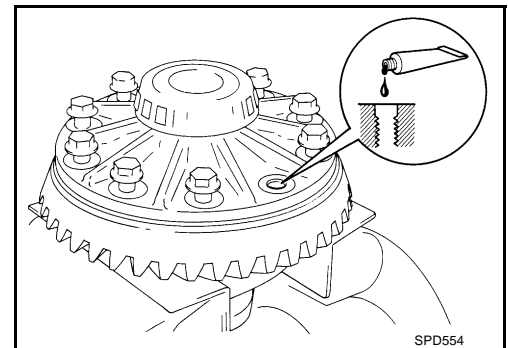
SDIA0821E

## ASSEMBLY OF DIFFERENTIAL CASE ASSEMBLY

1. Install pinion mate shaft lock pin with a punch.  
Make sure lock pin is flush with case.

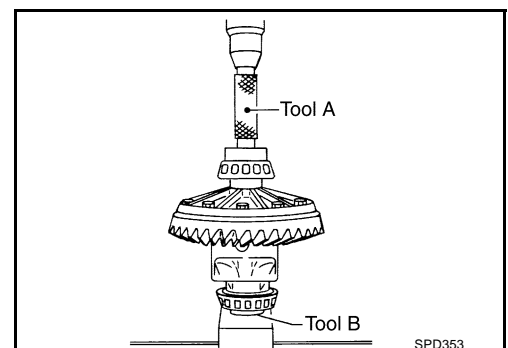


2. Place differential case on drive gear.
3. Apply genuine medium strength locking sealant or equivalent. Refer to [GI-45, "RECOMMENDED CHEMICAL PRODUCTS AND SEALANTS"](#) to drive gear bolts, and install them.
  - Tighten bolts in a criss-cross fashion.
  - After tightening the bolt to the specified torque, turn the bolt 31 to 36 more degrees.



4. Press-fit side bearing inner races on differential case with Tool.

**Tool number : A KV38100300 (J25523)**  
**: B ST33061000 (J8107-2)**



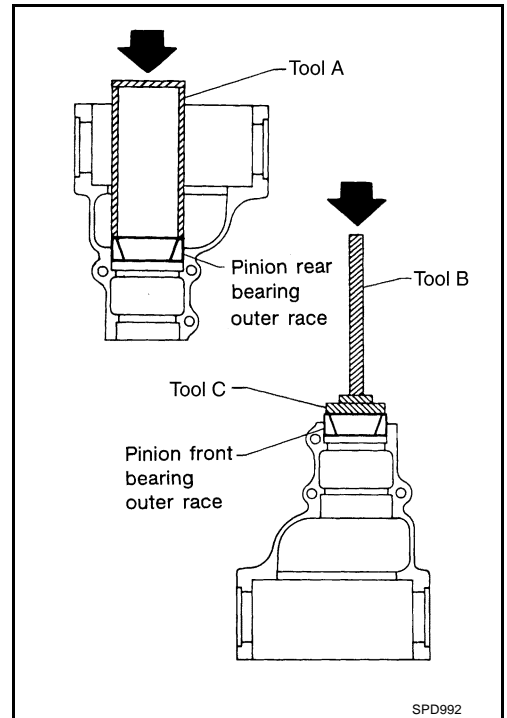


# REAR FINAL DRIVE ASSEMBLY

## INSTALLATION OF DRIVE PINION ASSEMBLY

1. Press-fit pinion front and rear bearing outer races with Tools.

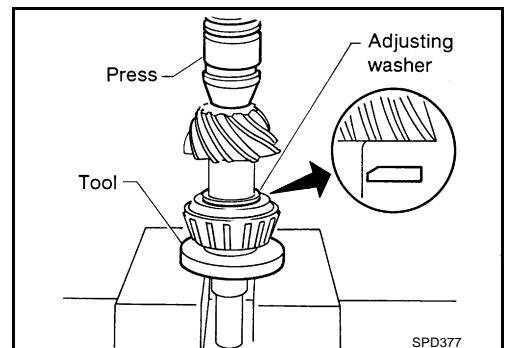
- Tool number** : A Suitable tool  
: B ST30611000 (J25742-1)  
: C ST30613000 (J25742-3)



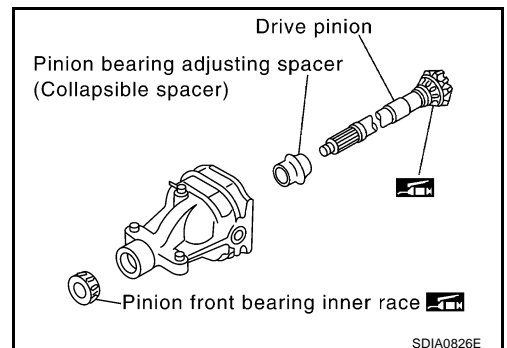
2. Select pinion height adjusting washer. Refer to [RFD-21, "Pinion Height Adjusting Washer Selection"](#).

3. Install selected pinion height adjusting washer in drive pinion. Using press and Tool, press-fit pinion rear bearing inner race into it.

- Tool number** : ST30901000 (-)



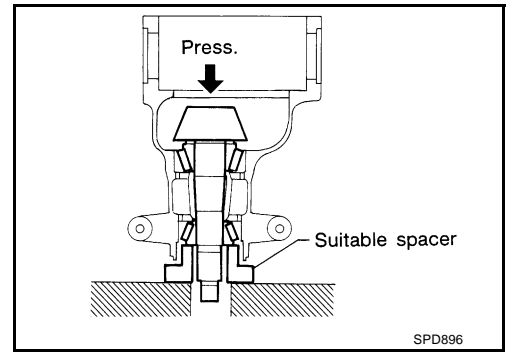
4. Apply multi-purpose grease to pinion rear bearing inner race and pinion front bearing inner race.



A  
B  
C  
RFD  
E  
F  
G  
H  
I  
J  
K  
L  
M

## REAR FINAL DRIVE ASSEMBLY

- Set drive pinion assembly (as shown in figure) in differential carrier and install drive pinion, with press and suitable tool. Stop when drive pinion touches bearing.

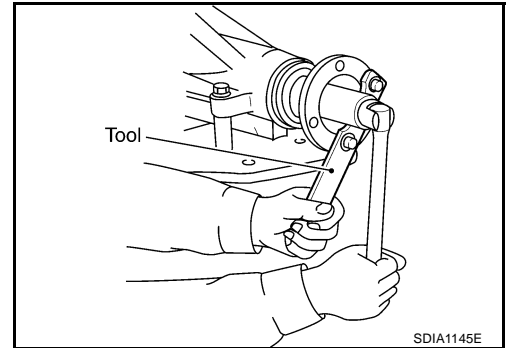


- Install front oil seal with Tool. Refer to [RFD-6, "Removal and Installation"](#).
- Install companion flange, and tighten pinion nut to minimum. Ascertain that threaded portion of drive pinion and drive pinion nut are free from oil or grease.

**Tool number** : KV40104000 (-)

**CAUTION:**

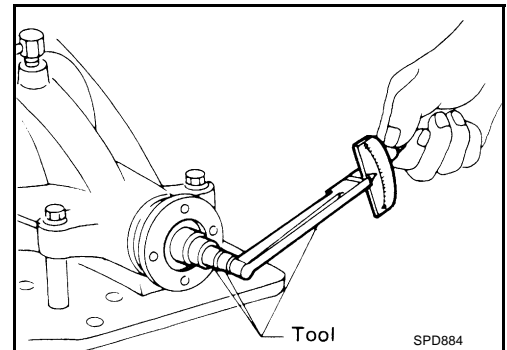
The drive pinion nut is not reusable. Never reuse drive pinion nut.



- Tighten the drive pinion nut by very small degrees until the specified preload is achieved, when checking the preload, turn drive pinion in both directions several times.

**Tool number**  
: ST3127S000 (See J25765-A)

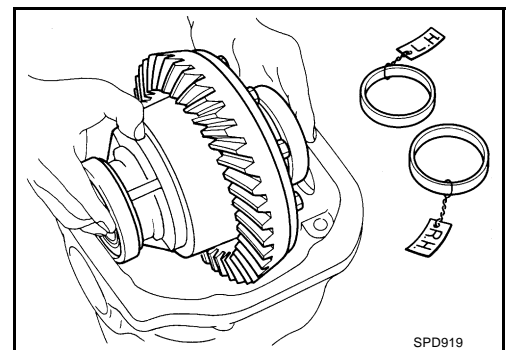
**Pinion bearing preload**  
: 2.65 - 3.23 N·m (0.27 - 0.32 kg·m, 24 - 28 in·lb)



- If pinion bearing preload is too small, tighten the drive pinion nut more.
- If pinion bearing preload is too great, replace pinion bearing adjusting spacer.

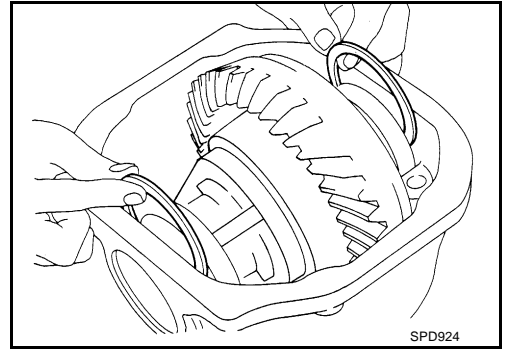
### INSTALLATION OF DIFFERENTIAL CASE ASSEMBLY

- Select side bearing adjusting washer. Refer to [RFD-18, "SIDE BEARING PRELOAD"](#).
- Install differential case assembly with side bearing outer races into gear carrier.




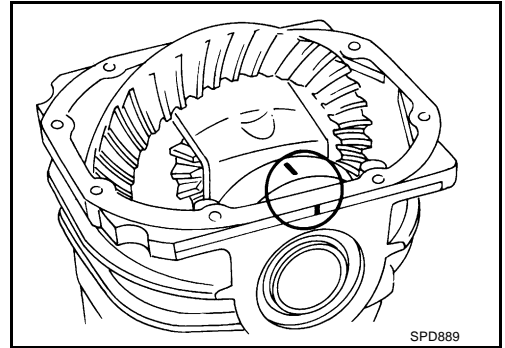
## REAR FINAL DRIVE ASSEMBLY

3. Insert left and right side bearing adjusting washers in place between side bearings and carrier.



4. Align mark on bearing cap with that on gear carrier.  
5. Install the side bearing cap.

 : 88 - 98 N·m (9.0 - 9.9 kg·m, 65 - 72 ft·lb)

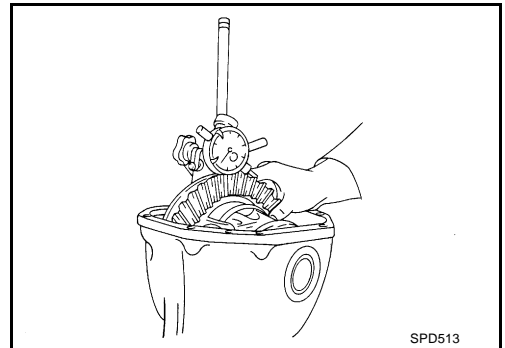


6. Install side oil seal. Refer to [RFD-6, "Removal and Installation"](#).

**Tool number** : KV38100200 (J26233)

7. Measure drive gear-to-drive pinion backlash with a dial indicator at several point.

**Drive gear backlash**  
: 0.10 - 0.15 mm (0.0039 - 0.0059 in) less



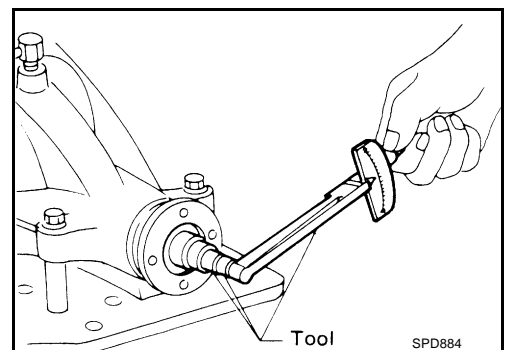
- If backlash is too small, adjustment of washer thickness is required. Decrease thickness of left shim and increase thickness of right by the same amount. If backlash is too great, reverse the above procedure.
- Never change the total amount of washers as it will change the bearing preload.

8. Check total preload with Tool.

**Tool number** : ST3127S000 (See J25765-A)

When checking preload, turn drive pinion in both directions several times to seat bearing rollers correctly.

**Total preload**  
: 2.84 - 3.75 N·m (0.29 - 0.38 kg·m, 26 - 33 in·lb)



- if preload is too great, remove the same amount of washer to each side.
- if preload is too small, add the same amount of washer to each side.

A  
B  
C  
RFD  
E  
F  
G  
H  
I  
J  
K  
L  
M

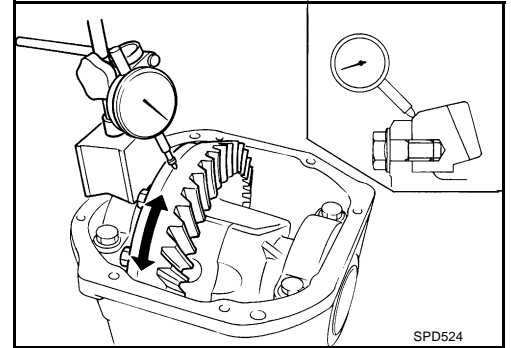
## REAR FINAL DRIVE ASSEMBLY

never add or remove a different number of washer for each side. Difference in number of washers will change drive gear to drive pinion backlash.

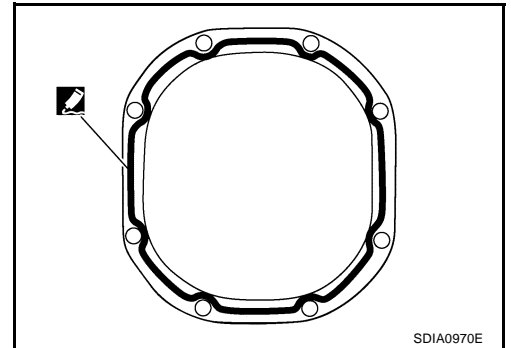
9. Recheck drive gear to drive pinion backlash. Increase or decrease in thickness of shims will cause change to drive gear to pinion backlash.
  - Check whether the backlash varies excessively in different places. Foreign matter may be caught between the drive gear and the differential case causing the trouble.
  - The backlash can vary greatly even when the drive gear runout is within a specified range. In that case, replace the hypoid gear set or differential case.
10. Check runout of drive gear with a dial indicator.

**Runout limit : 0.05 mm (0.0020 in) less**

11. Check tooth contact.  
Refer to [RFD-23, "TOOTH CONTACT"](#) .



12. Install rear cover. Apply liquid sealant to rear cover side and install gear carrier.



# SERVICE DATA AND SPECIFICATIONS (SDS)

## SERVICE DATA AND SPECIFICATIONS (SDS)

PPF:00030

### General Specifications

ADS000DG

Applied model	VQ35DE engine	
	A / T	M/T
Final drive model	R200 (2-pinion)	
Gear ratio	3.357	3.538
Number of teeth (Drive gear / drive pinion)	47 / 14	46/13
Oil capacity (Approx.)	1.4 liter (3 US pt, 2 - 1/2 Imp pt)	

### Drive Gear Runout

ADS000DH

Unit: mm (in)

Type	R200
Drive gear runout limit	0.05 (0.0020) less

### Side Gear Adjustment

ADS000DI

Unit: mm (in)

Type	R200
Clearance limit between side gear and differential case mm (in)	0.20 (0.0079) less

### AVAILABLE SIDE GEAR THRUST WASHERS

Unit: mm (in)

Type	R200	
	Thickness	Part number
Thrust washer	0.75 (0.0295)	38424 0C000
	0.78 (0.0307)	38424 0C001
	0.81 (0.0319)	38424 0C002
	0.84 (0.0331)	38424 0C003
	0.87 (0.0343)	38424 0C004
	0.90 (0.0350)	38424 0C005
	0.93 (0.0366)	38424 0C006

### Drive Pinion Height Adjustment

ADS000DJ

### AVAILABLE PINION HEIGHT ADJUSTING WASHERS

Unit: mm (in)

Type	R200	
	Thickness	Part number
Adjusting washer	3.05 (0.1201)	38154 0C000
	3.08 (0.1213)	38154 0C001
	3.11 (0.1224)	38154 0C002
	3.14 (0.1236)	38154 0C003
	3.17 (0.1248)	38154 0C004
	3.20 (0.1260)	38154 0C005
	3.23 (0.1272)	38154 0C006
	3.26 (0.1283)	38154 0C007

### Drive Pinion Preload Adjustment

ADS000DK

Type	R200
Drive pinion preload	2.65 – 3.23 N·m (0.27 – 0.32 kg-m, 24 – 28 in lb)

# SERVICE DATA AND SPECIFICATIONS (SDS)

## Side Bearing Preload Adjustment

ADS000DL

Type	R200
Side bearing preload <Reference value>	0.20 – 0.52 N·m (0.02 – 0.05 kg–m, 2 – 4 in lb)
Torque by spring gauge	34.2 – 39.2 N (3.5 – 4 kg, 7.7 – 8.8 lb)

## SIDE BEARING ADJUSTING WASHERS

Unit: mm (in)

Type	R200			
	Thickness	Part number	Thickness	Part number
Adjusting washer	2.00 (0.0787)	38453 N3100	2.35 (0.0925)	38453 N3107
	2.05 (0.0807)	38453 N3101	2.40 (0.0945)	38453 N3108
	2.10 (0.0827)	38453 N3102	2.45 (0.0965)	38453 N3109
	2.15 (0.0846)	38453 N3103	2.50 (0.0984)	38453 N3110
	2.20 (0.0866)	38453 N3104	2.55 (0.1004)	38453 N3111
	2.25 (0.0886)	38453 N3105	2.60 (0.1024)	38453 N3112
	2.30 (0.0906)	38453 N3106	2.65 (0.1043)	38453 N3113

## Total Preload Adjustment

ADS000DM

Type	R200
Total preload with oil seal	2.84 – 3.75 N·m (0.29 – 0.38 kg–m, 26 – 33 in lb)
Drive gear to drive pinion backlash	0.10 – 0.15 mm (0.0039 – 0.0059 in)