

SECTION **WT**
ROAD WHEELS & TIRES

A
B
C
D

WT

CONTENTS

NOISE, VIBRATION AND HARSHNESS (NVH)			
TROUBLESHOOTING	2	Balancing Wheels (Bonding Weight Type)	4
NVH Troubleshooting Chart	2	REMOVAL	4
ROAD WHEEL	3	WHEEL BALANCE ADJUSTMENT	4
Inspection	3	Rotation	5
ALUMINUM WHEEL	3	SERVICE DATA	6
ROAD WHEEL TIRE ASSEMBLY	4	Road Wheel	6
		Tire	6

F
G
H
I
J
K
L
M

NOISE, VIBRATION AND HARSHNESS (NVH) TROUBLESHOOTING

NOISE, VIBRATION AND HARSHNESS (NVH) TROUBLESHOOTING

PFP:00003

NVH Troubleshooting Chart

AES0000T

Use the chart below to help you find the cause of the symptom. If necessary, repair or replace these parts.

Reference page		WT-3	—	—	—	—	—	—	—	—	—	—	—	—	—	—	—	—	—		
Possible cause and SUSPECTED PARTS		Out-of-round	Imbalance	Incorrect tire pressure	Uneven tire wear	Deformation or damage	Non-uniformity	Incorrect tire size	PROPELLER SHAFT	DIFFERENTIAL	FRONT AXLE AND FRONT SUSPENSION	REAR AXLE AND REAR SUSPENSION	TIRES	ROAD WHEEL	DRIVE SHAFT	BRAKE	STEERING	—	—		
Symptom	Tires	Noise	x	x	x	x	x	x	x	x	x	x	x	x	x	x	x	x	x		
		Shake	x	x	x	x	x	x	x	x	x	x	x	x	x	x	x	x	x	x	
		Vibration	x	x	x	x	x	x	x	x	x	x	x	x	x	x	x	x	x	x	
		Shimmy	x	x	x	x	x	x	x	x	x	x	x	x	x	x	x	x	x	x	
		Judder	x	x	x	x	x	x	x	x	x	x	x	x	x	x	x	x	x	x	x
		Poor quality ride or handling	x	x	x	x	x	x	x	x	x	x	x	x	x	x	x	x	x	x	x
	Road wheel	Noise	x	x	x	x	x	x	x	x	x	x	x	x	x	x	x	x	x	x	
		Shake	x	x	x	x	x	x	x	x	x	x	x	x	x	x	x	x	x	x	
		Shimmy, Judder	x	x	x	x	x	x	x	x	x	x	x	x	x	x	x	x	x	x	
		Poor quality ride or handling	x	x	x	x	x	x	x	x	x	x	x	x	x	x	x	x	x	x	

x: Applicable

ROAD WHEEL

ROAD WHEEL

PFP:40300

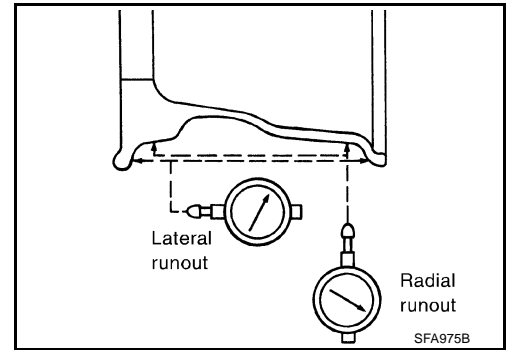
Inspection ALUMINUM WHEEL

AES0000U

1. Check tires for wear and improper inflation.
2. Check wheels for deformation, cracks and other damage. If deformed, remove wheel and check wheel runout.
 - a. Remove tire from aluminum wheel and mount on a tire balance machine.
 - b. Set dial indicator as shown in the illustration.

Wheel runout (Dial indicator value):

Refer to [WT-6, "SERVICE DATA"](#)



A
B
C
D

WT

F
G
H
I
J
K
L
M

ROAD WHEEL TIRE ASSEMBLY

ROAD WHEEL TIRE ASSEMBLY

PFP:40300

Balancing Wheels (Bonding Weight Type) REMOVAL

AES0002H

1. Remove inner and outer balance weights from the road wheel.

CAUTION:

Be careful not to scratch the road wheel during removal.

2. Using releasing agent, remove double-faced adhesive tape from the road wheel.

CAUTION:

- **Be careful not to scratch the road wheel during removal.**
- **After removing double-faced adhesive tape, wipe clean traces of releasing agent from the road wheel.**

WHEEL BALANCE ADJUSTMENT

- If a tire balance machine has adhesion balance weight mode settings and drive-in weight mode setting, select and adjust a drive-in weight mode suitable for road wheels.

1. Set road wheel on wheel balancer using the center hole as a guide. Start the tire balance machine.
2. When inner and outer unbalance values are shown on the wheel balancer indicator, multiply outer unbalance value by $5/3$ to determine balance weight that should be used. Select the outer balance weight with a value closest to the calculated value above and install it to the designated outer position of, or at the designated angle in relation to the road wheel.

CAUTION:

- **Do not install the inner balance weight before installing the outer balance weight.**
- **Before installing the balance weight, be sure to clean the mating surface of the road wheel.**

Indicated unbalance value $\times 5/3$ = balance weight to be installed

Calculation example:

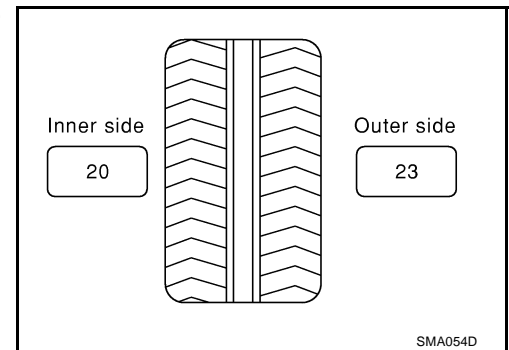
$23 \text{ g (0.81 oz)} \times 5/3 = 38.33 \text{ g (1.35 oz)} = 40 \text{ g (1.41 oz)}$ balance weight (closer to calculated balance weight value)

Note that balance weight value must be closer to the calculated balance weight value.

Example:

$37.4 = 35 \text{ g (1.23 oz)}$

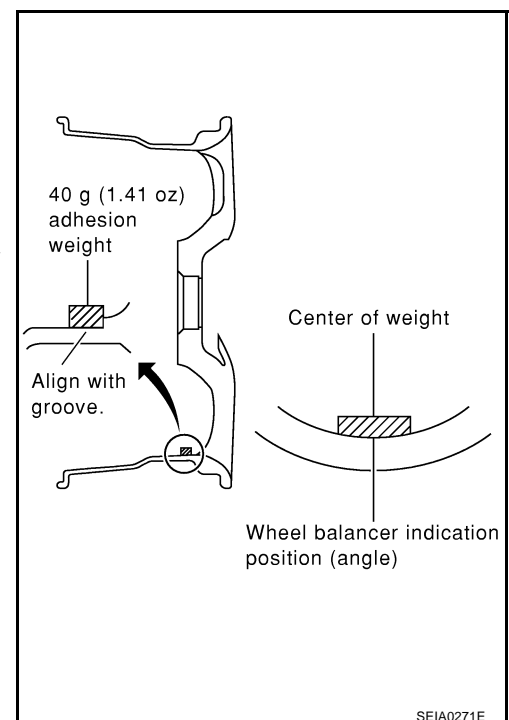
$37.5 = 40 \text{ g (1.41 oz)}$



- a. Install balance weight in the position shown in the figure.
- b. When installing balance weight to road wheels, set it into the grooved area on the inner wall of the road wheel as shown in the figure so that the balance weight center is aligned with the wheel balancer indication position (angle).

CAUTION:

- **Always use genuine Nissan adhesion balance weights.**
- **Balance weights are un reusable; always replace with new ones.**
- **Do not install more than three sheets of balance weight.**



ROAD WHEEL TIRE ASSEMBLY

- c. If calculated balance weight value exceeds 50 g (1.76 oz), install two balance weight sheets in line with each other as shown in the figure.

CAUTION:

Do not install one balance weight sheet on top of another.

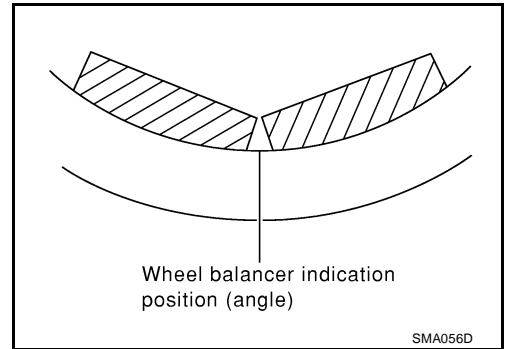
3. Start wheel balancer again.
 4. Install drive-in balance weight on inner side of road wheel in the wheel balancer indication position (angle).

CAUTION:

Do not install more than two balance weights.

5. Start wheel balancer. Make sure that inner and outer residual unbalance values are 10 g (0.35 oz) each or below.
- If either residual unbalance value exceeds 10 g (0.35 oz), repeat installation procedures.

Wheel balance (Maximum allowable unbalance):



Maximum allowable unbalance	Dynamic (At rim flange)	Less than 10 g (0.35 oz) (one side)
	Static (At rim flange)	Less than 20 g (0.70 oz)

Rotation

AES0000W

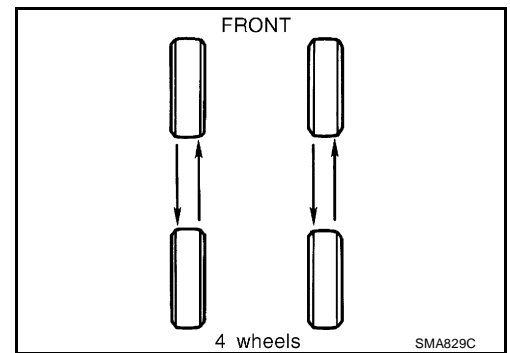
- Follow the maintenance schedule for tire rotation service intervals. Refer to [MA-6. "PERIODIC MAINTENANCE"](#).
- Do not include the T-type spare tire when rotating the tires.

CAUTION:

When installing wheels, tighten them diagonally by dividing the work two to three times in order to prevent the wheels from developing any distortion.

Tightening torque of wheel nut:

:98 - 118 N·m (10 - 12 kg·m, 72- 87 ft·lb)



A
B
C
D
WT
F
G
H
I
J
K
L
M

SERVICE DATA

SERVICE DATA

PFP:00030

Road Wheel

AES0001F

Standard item		Allowable value	
		Aluminum	Steel (for emergency use)
Deflection limit	Lateral deflection	Less than 0.3 mm (0.012 in)	Less than 1.0 mm (0.039 in)
	Vertical deflection	Less than 0.3mm (0.012 in)	Less than 1.2mm (0.047 in)
Allowable quantity of residual unbalance	Dynamic (At rim flange)	Less than 10g (0.35 oz) (per side)	
	Static (At rim flange)	Less than 20g (0.70 oz)	

Tire

AES0001G

Unit: kPa (kg/cm², psi)

Tire size	Air pressure	
	Front tire	Rear tire
P205/65R16 94V P215/55R17 93V P215/55R17 93W	210 (2.1, 30)	210 (2.1, 30)
T145/90D16	420 (4.2, 60)	420 (4.2, 60)