

A
LU
C
D
E

SECTION **LU**

ENGINE LUBRICATION SYSTEM

CONTENTS

PRECAUTIONS	2	OIL COOLER	10	F
Precautions for Liquid Gasket	2	Removal and Installation	10	
LIQUID GASKET APPLICATION PROCEDURE....	2	REMOVAL	10	G
PREPARATION	3	INSPECTION AFTER REMOVAL	10	
Special Service Tools	3	INSTALLATION	11	H
Commercial Service Tools	3	INSPECTION AFTER INSTALLATION	11	
LUBRICATION SYSTEM	4	OIL PUMP	12	I
Lubrication Circuit	4	Removal and Installation	12	J
System Chart	5	REMOVAL	12	
ENGINE OIL	6	INSTALLATION	12	K
Inspection	6	INSPECTION AFTER INSTALLATION	12	
OIL LEVEL	6	Disassembly and Assembly	12	L
OIL APPEARANCE	6	DISASSEMBLY	12	
OIL LEAKAGE	6	INSPECTION AFTER DISASSEMBLY	13	M
OIL PRESSURE CHECK	7	ASSEMBLY	14	
Changing Engine Oil	8	SERVICE DATA AND SPECIFICATIONS (SDS)	15	
OIL FILTER	9	Standard and Limit	15	
Removal and Installation	9	OIL PRESSURE	15	
REMOVAL	9	OIL CAPACITY (APPROXIMATE)	15	
INSTALLATION	9	OIL PUMP	15	
INSPECTION AFTER INSTALLATION	9	REGULATOR VALVE	15	
		Tightening Torque	15	

PRECAUTIONS

PRECAUTIONS

PFP:00001

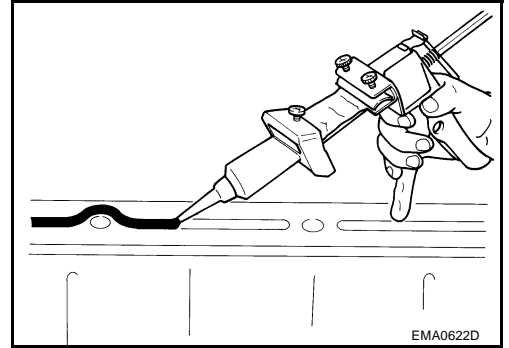
Precautions for Liquid Gasket LIQUID GASKET APPLICATION PROCEDURE

ABS00994

1. Remove old liquid gasket adhering to the liquid gasket application surface and the mating surface.
 - Remove liquid gasket completely from the liquid gasket application surface, mounting bolts, and bolt holes.
2. Wipe the liquid gasket application surface and the mating surface with white gasoline (lighting and heating use) to remove adhering moisture, grease and foreign materials.
3. Attach liquid gasket tube to tube presser [SST: WS39930000 (—)].

Use Genuine RTV Silicone Sealant or equivalent. Refer to [GI-45. "RECOMMENDED CHEMICAL PRODUCTS AND SEALANTS"](#) .

- Within five minutes of liquid gasket application, install the mating component.
- If liquid gasket protrudes, wipe it off immediately.
- Do not retighten mounting bolts or nuts after the installation.
- After 30 minutes or more have passed from the installation, fill engine oil and engine coolant.



PREPARATION

PREPARATION

PF0:00002

Special Service Tools

ABS00010

The actual shapes of Kent-Moore tools may differ from those of special service tools illustrated here.

Tool number (Kent-Moore No.) Tool name	Description
ST25051001 (J25695-1) Oil pressure gauge	Measuring oil pressure Maximum measuring range: 2,452 kPa (25 kg-cm² , 356 psi)
ST25052000 (J25695-2) Hose	Adapting oil pressure gauge to upper oil pan (upper)
KV10115801 (J38956) Oil filter wrench	Removing oil filter a: 64.3 mm (2.531 in)
WS39930000 (—) Tube presser	Pressing the tube of liquid gasket

Commercial Service Tools

ABS00011

Tool name	Description
Deep socket	Removing and installing oil pressure switch a: 24 mm (0.94 in)
Power tool	Loosening bolts and nuts

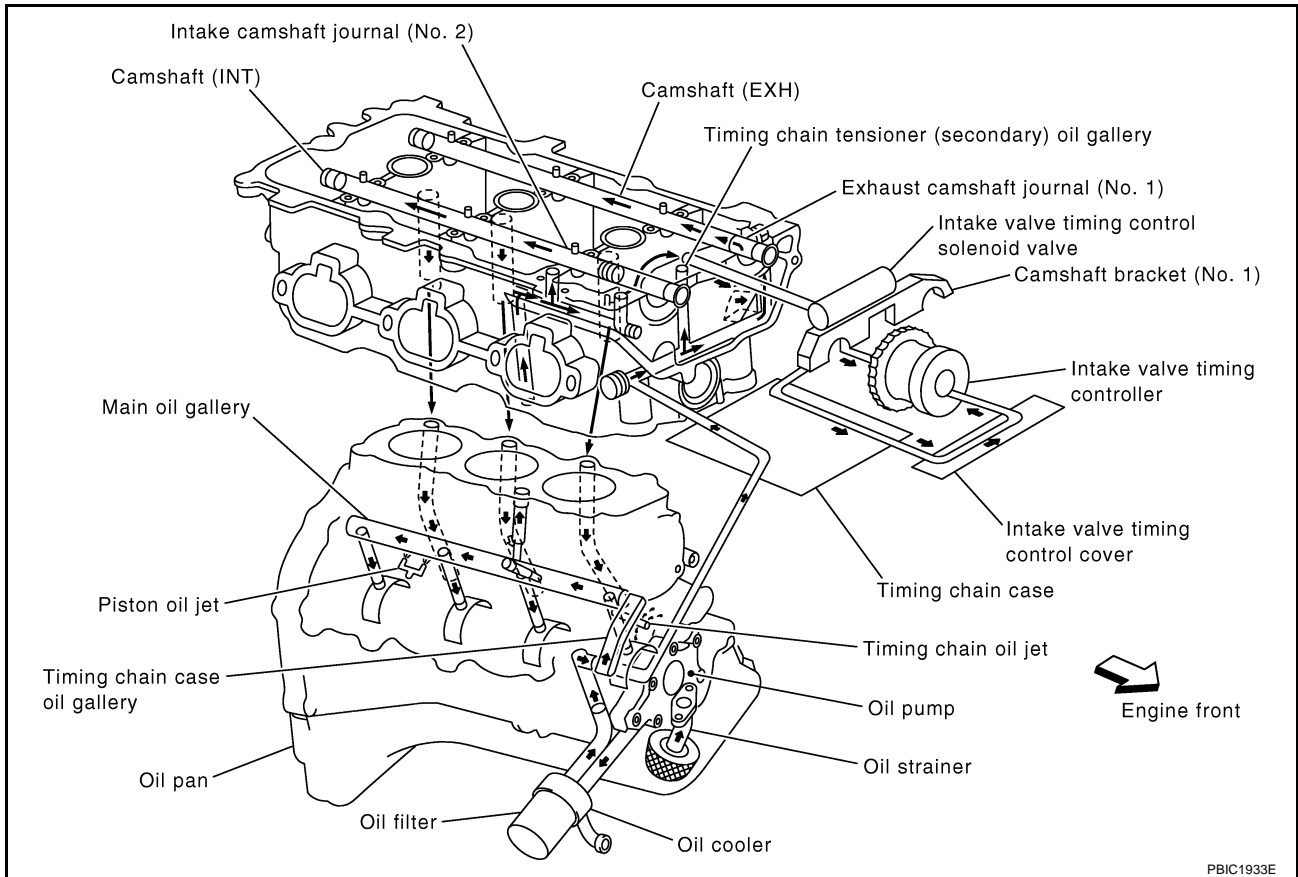
LUBRICATION SYSTEM

LUBRICATION SYSTEM

PFP:15010

Lubrication Circuit

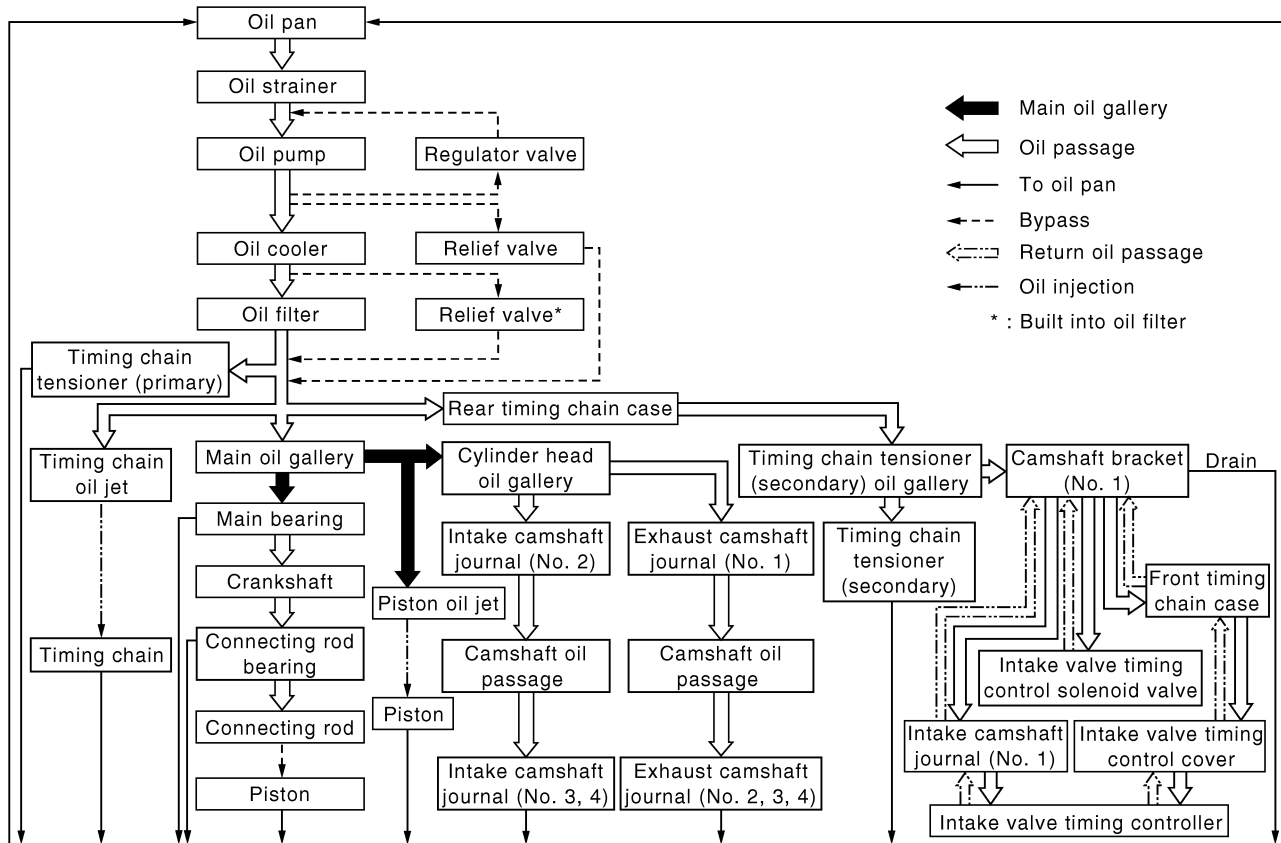
ABS00995



LUBRICATION SYSTEM

System Chart

ABS00996



PBIC2071E

A
LU
 C
 D
 E
 F
 G
 H
 I
 J
 K
 L
 M

ENGINE OIL

ENGINE OIL

PFP:KLA92

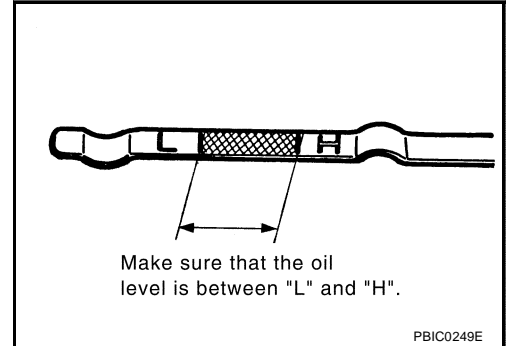
Inspection OIL LEVEL

ABS00997

NOTE:

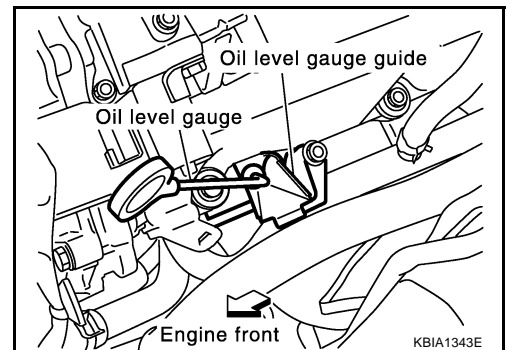
Before starting engine, put vehicle horizontally and check the oil level. If engine is already started, stop it and allow 10 minutes before checking.

1. Pull out oil level gauge and wipe it clean.
2. Insert oil level gauge and make sure the oil level is within the range shown in the figure.
3. If it is out of range, adjust it.



NOTE:

When checking oil level, insert oil level gauge with its tip aligned with oil level gauge guide on cylinder head. (In the figure, air cleaner case and air duct are removed.)



OIL APPEARANCE

- Check the engine oil for white turbidity or heavy contamination.
- If the engine oil becomes turbid and white, it is highly probable that it is contaminated with engine coolant. Repair or replace damaged parts.

OIL LEAKAGE

Check for oil leakage around the following areas:

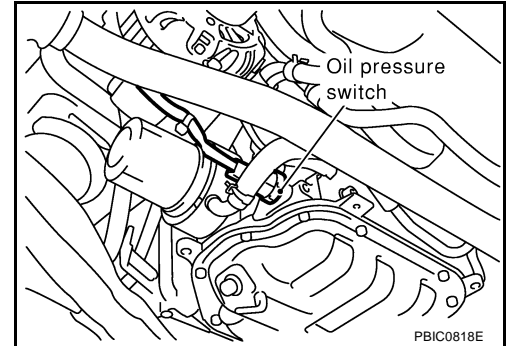
- Oil pan
- Oil pan drain plug
- Oil pressure switch
- Oil filter
- Oil cooler
- Water pump cover
- Chain tensioner cover
- Intake valve timing control cover and intake valve timing control solenoid valve
- Mating surface between cylinder block and cylinder head
- Mating surface between cylinder head and rocker cover
- Mating surface between front timing chain case and rear timing chain case
- Mating surface between rear timing chain case and cylinder block
- Crankshaft oil seals (front and rear)

ENGINE OIL

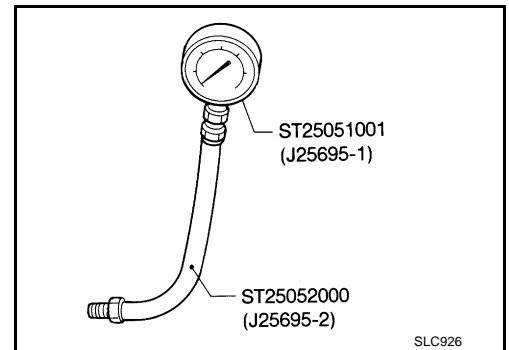
OIL PRESSURE CHECK

WARNING:

- Be careful not to burn yourself, as engine oil may be hot.
 - Oil pressure check should be done in “Neutral position” (M/T models) or “Parking position” (A/T models).
1. Check oil level. Refer to [LU-6, "OIL LEVEL"](#).
 2. Remove undercover with power tool.
 3. Disconnect oil pressure switch harness connector.
 4. Remove oil pressure switch.



5. Install oil pressure gauge and hose (SST).



6. Start engine and warm it up to normal operating temperature.
7. Check oil pressure with engine running under no-load.

NOTE:

When engine oil temperature is low, engine oil pressure becomes high.

Engine oil pressure [Engine oil temperature at 80°C (176°F)]

Engine speed rpm	Approximate discharge pressure kPa (kg/cm ² , psi)
Idle speed	More than 98 (1.0, 14)
2,000	More than 294 (3.0, 43)

If difference is extreme, check oil passage and oil pump for oil leaks.

8. After the inspections, install oil pressure switch as follows:
 - a. Remove the old liquid gasket adhering to oil pressure switch and engine.
 - b. Apply liquid gasket and tighten oil pressure switch to specification.
- Use Genuine RTV Silicone Sealant or equivalent. Refer to [GI-45, "RECOMMENDED CHEMICAL PRODUCTS AND SEALANTS"](#).**

 : 12.3 - 17.2 N·m (1.25 - 1.75 kg·m, 9 - 12 ft·lb)

ENGINE OIL

ABS00998

Changing Engine Oil


WARNING:

- Be careful not to burn yourself, as the engine oil may be hot.
 - Prolonged and repeated contact with used engine oil may cause skin cancer; try to avoid direct skin contact with used engine oil. If skin contact is made, wash thoroughly with soap or hand cleaner as soon as possible.
1. Warm up engine, put vehicle horizontally and check for oil leakage from engine components. Refer to [LU-6, "OIL LEAKAGE"](#).
 2. Stop engine and wait for 10 minutes.
 3. Loosen oil filler cap and then remove drain plug.
 4. Drain engine oil.
 5. Install drain plug with new washer. Refer to [EM-29, "OIL PAN AND OIL STRAINER"](#).

CAUTION:

Be sure to clean drain plug and install with new washer.

Oil pan drain plug:

 : 29.4 - 39.2 N·m (3.0 - 4.0 kg·m, 22 - 28 ft·lb)

6. Refill with new engine oil.
Engine oil specification and viscosity:
Refer to [MA-9, "RECOMMENDED FLUIDS AND LUBRICANTS"](#).

Engine oil capacity (Approximate):

Unit: ℓ (US qt, Imp qt)

Drain and refill	With oil filter change	4.7 (5, 4-1/8)
	Without oil filter change	4.4 (4-5/8, 3-7/8)
Dry engine (Overhaul)		5.4 (5-3/4, 4-3/4)

CAUTION:

- When filling engine oil, do not pull out oil level gauge.
 - The refill capacity depends on the engine oil temperature and drain time. Use these specifications for reference only.
7. Warm up engine and check area around drain plug and oil filter for oil leakage.
 8. Stop engine and wait for 10 minutes.
 9. Check the engine oil level. Refer to [LU-6, "OIL LEVEL"](#).

OIL FILTER

OIL FILTER

PFP:15208

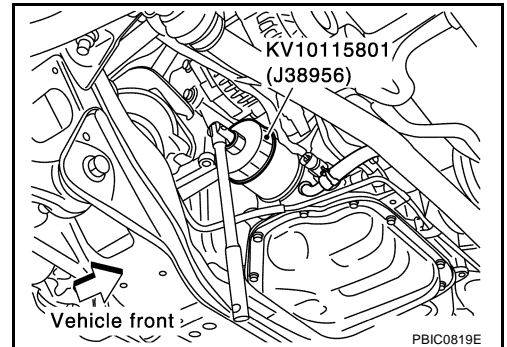
Removal and Installation

REMOVAL

1. Remove undercover with power tool.
2. Using oil filter wrench (SST), remove oil filter.

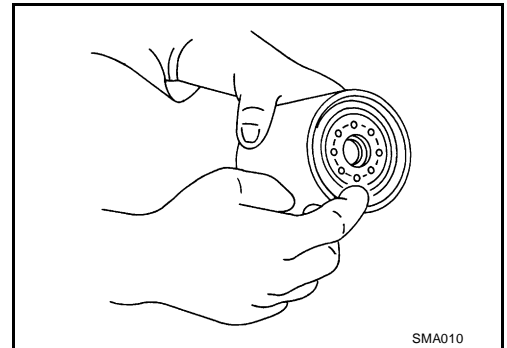
CAUTION:

- Oil filter is provided with relief valve. Use Genuine NISSAN Oil Filter or equivalent.
- Be careful not to get burned when engine and engine oil may be hot.
- When removing, prepare a shop cloth to absorb any engine oil leakage or spillage.
- Do not allow engine oil to adhere to drive belts.
- Completely wipe off any engine oil that adheres to the engine and the vehicle.




INSTALLATION

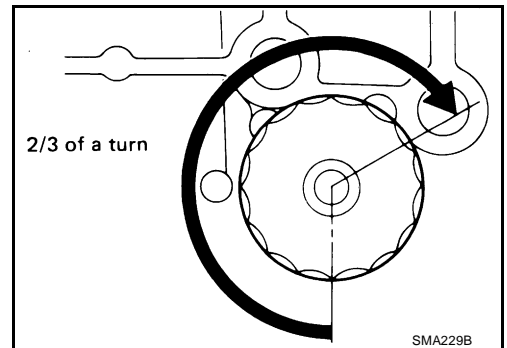
1. Remove foreign materials adhering to oil filter installation surface.
2. Apply engine oil to the oil seal contact surface of new oil filter.



3. Screw oil filter manually until it touches the installation surface, then tighten it by 2/3 turn. Or tighten to specification.

Oil filter:

 : 14.7 - 20.5 N·m (1.5 - 2.0 kg·m, 11 - 15 ft·lb)



INSPECTION AFTER INSTALLATION

1. Start engine, and make sure that there is no leak of engine oil.
2. Stop engine and wait for 10 minutes.
3. Check the engine oil level and add engine oil. Refer to [LU-6, "ENGINE OIL"](#).

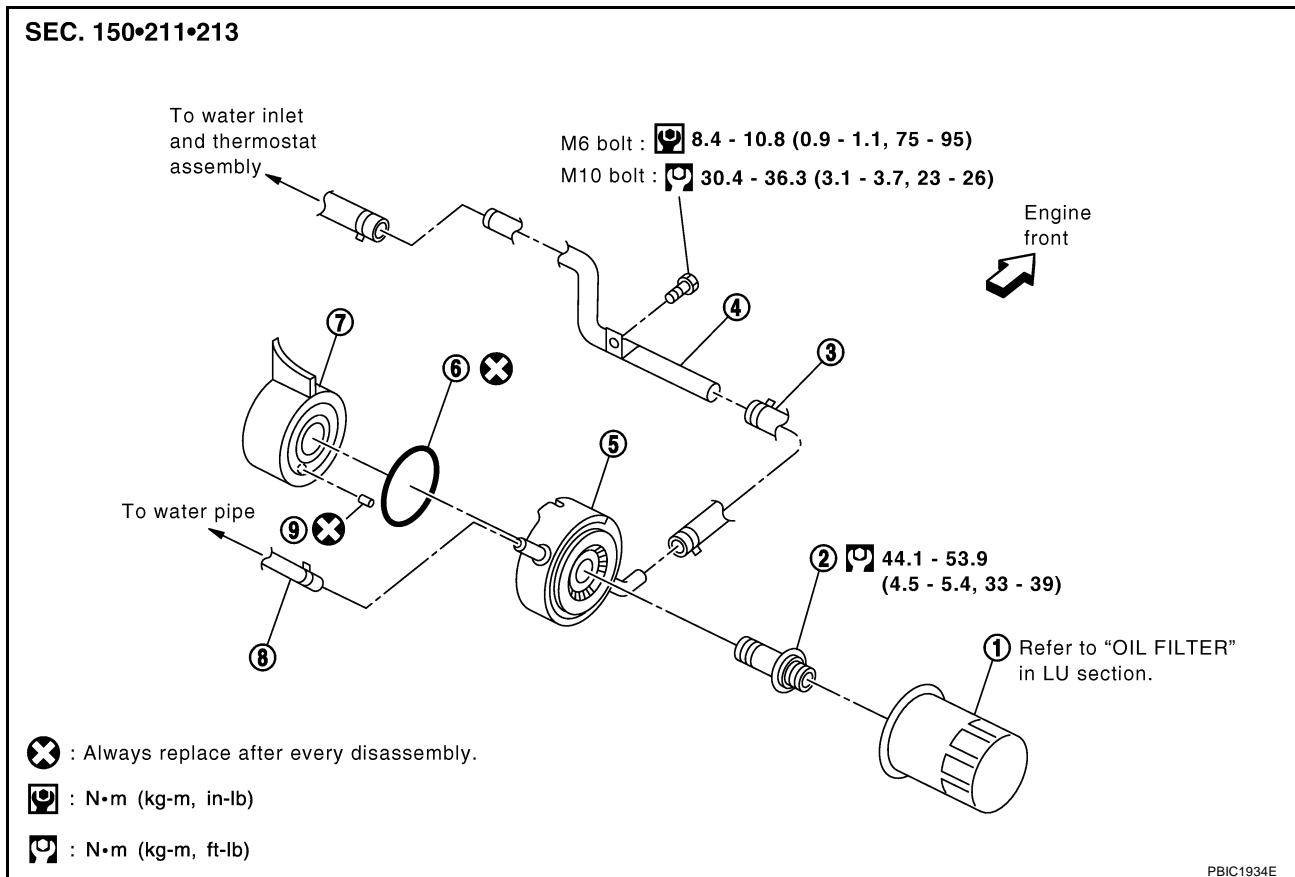
OIL COOLER

PFP:21305

OIL COOLER

Removal and Installation

ABS0099A



- | | | |
|-------------------------------|-------------------|-----------------|
| 1. Oil filter | 2. Connector bolt | 3. Water hose |
| 4. Water pipe | 5. Oil cooler | 6. O-ring |
| 7. Oil pan (upper) right side | 8. Water hose | 9. Relief valve |

REMOVAL

1. Remove undercover with power tool.
2. Remove oil filter. Refer to [LU-9, "OIL FILTER"](#).

CAUTION:

Do not spill engine oil on drive belts.

3. Disconnect water hoses from oil cooler, while pinching hoses near oil cooler to prevent engine coolant spilling.

CAUTION:

- Perform this step when engine is cold.
- Do not spill engine coolant on the drive belts.

4. Remove connector bolt, and remove oil cooler.

INSPECTION AFTER REMOVAL

Oil Cooler

Check oil cooler for cracks. Check oil cooler for clogging by blowing through engine coolant inlet. If necessary, replace oil cooler.

Relief Valve

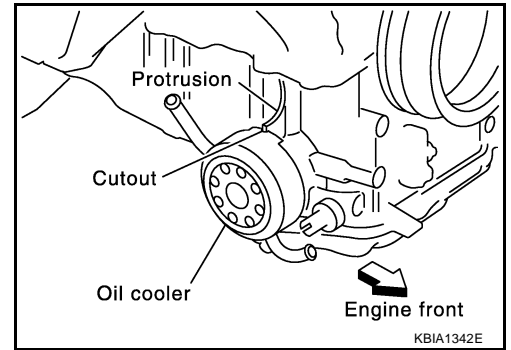
Check relief valve for movement, cracks and breaks by pushing the ball. If replacement is necessary, remove relief valve by prying it out with a suitable tool. Install a new relief valve in place by tapping it.

OIL COOLER

INSTALLATION

Note the following, and install in the reverse order of removal.

- Make sure that no foreign objects are adhering to the installation surfaces of oil cooler and oil pan (upper).
- Align cutout on oil cooler with protrusion on oil pan (upper) side, and tighten connector bolt.



INSPECTION AFTER INSTALLATION

1. Check engine oil level and engine coolant level, and add engine oil and engine coolant. Refer to [LU-6, "ENGINE OIL"](#) and [CO-10, "ENGINE COOLANT"](#).
2. Start engine, and make sure that there is no leaks of engine oil or engine coolant.
3. Stop engine and wait for 10 minutes.
4. Check the engine oil level and the engine coolant level again. Refer to [LU-6, "ENGINE OIL"](#) and [CO-10, "ENGINE COOLANT"](#).

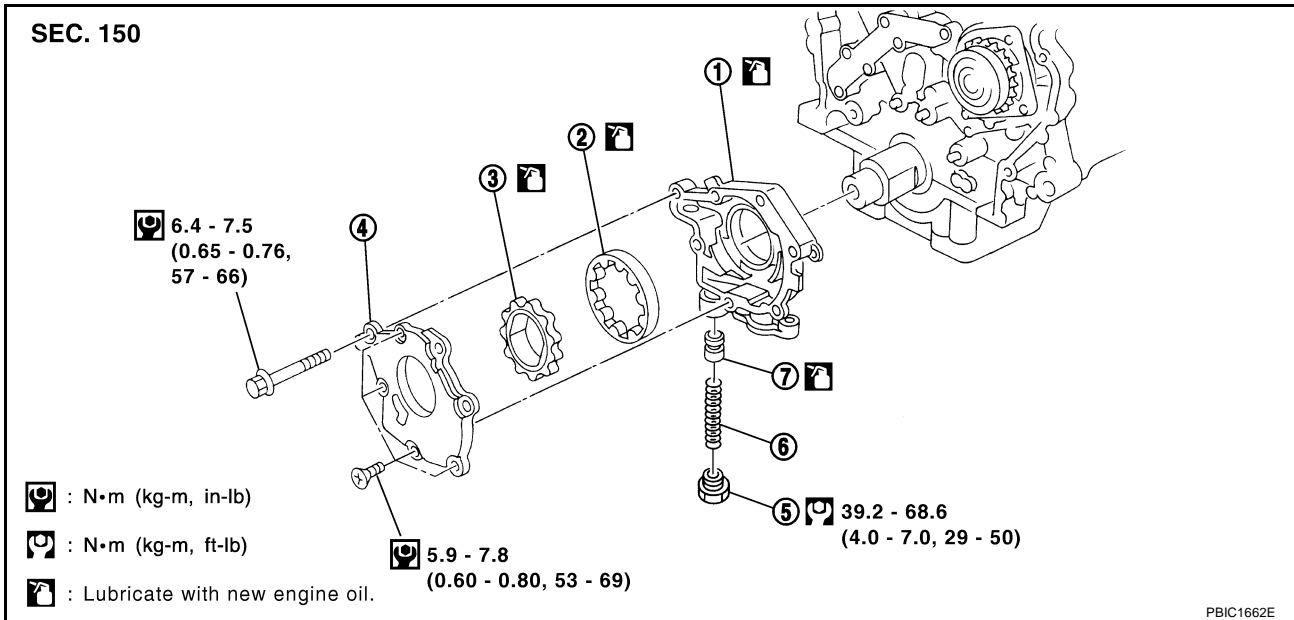
OIL PUMP

OIL PUMP

PF15010

Removal and Installation

ABS0099B



- | | | |
|--------------------|-------------------------|----------------|
| 1. Oil pump body | 2. Outer rotor | 3. Inner rotor |
| 4. Oil pump cover | 5. Regulator valve plug | 6. Spring |
| 7. Regulator valve | | |

REMOVAL

1. Remove oil pans (lower and upper) and oil strainer. Refer to [EM-29, "OIL PAN AND OIL STRAINER"](#).
2. Remove front timing chain case and timing chain (primary). Refer to [EM-56, "TIMING CHAIN"](#).
3. Remove oil pump assembly.

INSTALLATION

Note the following, and install in the reverse order of removal.

- When installing, align crankshaft flat faces with inner rotor flat faces.

INSPECTION AFTER INSTALLATION

1. After warming up engine, check for engine oil leakage.
2. Check the engine oil level and add engine oil. Refer to [LU-6, "ENGINE OIL"](#).

Disassembly and Assembly

DISASSEMBLY

1. Remove oil pump cover.
2. Remove inner rotor and outer rotor from oil pump body.
3. After removing regulator plug, remove regulator spring and regulator valve.

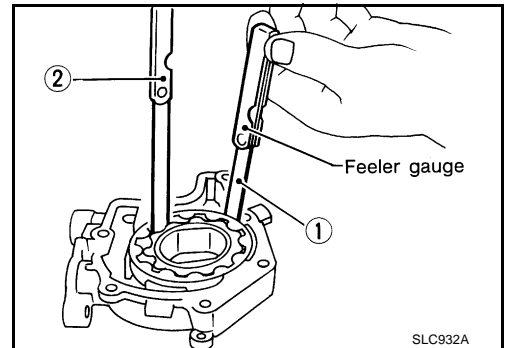
ABS0099C

OIL PUMP

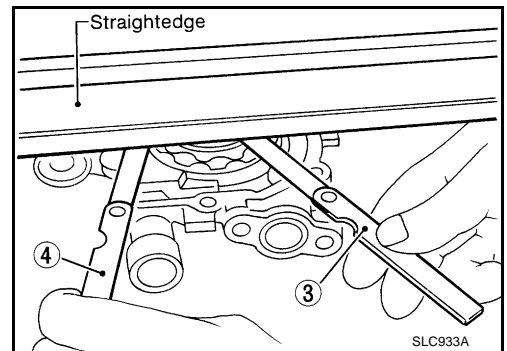
INSPECTION AFTER DISASSEMBLY

Clearance of Oil Pump Parts

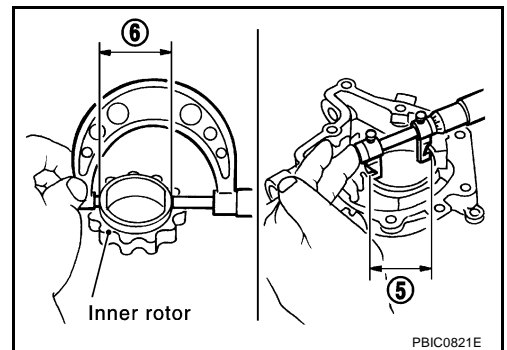
- Measure the clearance with feeler gauge.
 - Clearance between outer rotor and oil pump body (position 1)
Standard : 0.114 - 0.260 mm (0.0045 - 0.0102 in)
 - Tip clearance between inner rotor and outer rotor (position 2)
Standard : Below 0.180 mm (0.0071 in)



- Measure the clearance with feeler gauge and straightedge.
 - Side clearance between inner rotor and oil pump body (position 3)
Standard : 0.030 - 0.070 mm (0.0012 - 0.0028 in)
 - Side clearance between outer rotor and oil pump body (position 4)
Standard : 0.050 - 0.110 mm (0.0020 - 0.0043 in)



- Calculate the clearance between inner rotor and oil pump body as follows:
 - Measure the inner diameter of oil pump body with inside micrometer (Position 5)
 - Measure the outer diameter of protruded portion of inner rotor with micrometer (Position 6)
 - (Clearance) = (Inner diameter of oil pump body) – (Outer diameter of inner rotor)**Standard : 0.045 - 0.091 mm (0.0018 - 0.0036 in)**
- If measured/calculated values are out of the standard, replace oil pump assembly.



Regulator Valve Clearance

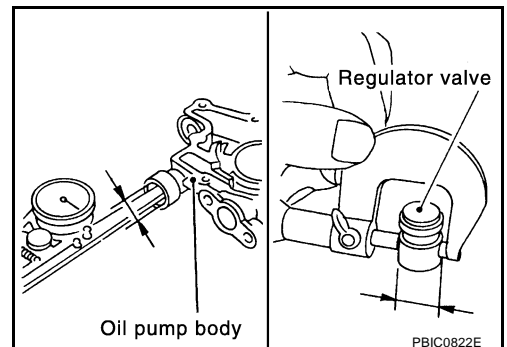
(Clearance) = (Valve hole diameter) – (Regulator valve outer diameter)

Standard : 0.040 - 0.097 mm (0.0016 - 0.0038 in)

- If out of the standard, replace oil pump assembly.

CAUTION:

- Coat regulator valve with engine oil.
- Make sure that it falls smoothly into valve hole by its own weight.

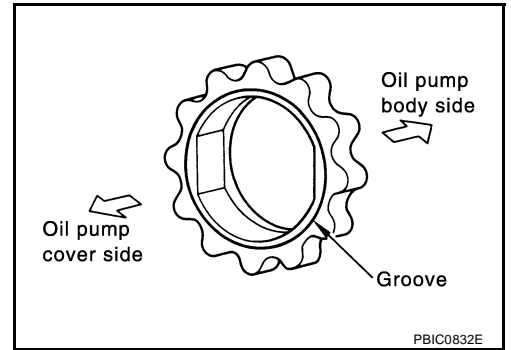


OIL PUMP

ASSEMBLY

Note the following, and assemble in the reverse order of disassembly.

- Install inner rotor with the groove faced to oil pump cover side.



SERVICE DATA AND SPECIFICATIONS (SDS)

SERVICE DATA AND SPECIFICATIONS (SDS)

PFP:00030

Standard and Limit OIL PRESSURE

ABS0099S

Engine speed rpm	Approximate discharge pressure* kPa (kg/cm ² , psi)
Idle speed	More than 98 (1.0, 14)
2,000	More than 294 (3.0, 43)

*: Engine oil temperature at 80°C (176°F).

OIL CAPACITY (APPROXIMATE)

Unit: ℓ (US qt, Imp qt)

Drain and refill	With oil filter change	4.7 (5, 4-1/8)
	Without oil filter change	4.4 (4-5/8, 3-7/8)
Dry engine (Overhaul)		5.4 (5-3/4, 4-3/4)

OIL PUMP

Unit: mm (in)

Body to outer rotor radial clearance	0.114 - 0.260 (0.0045 - 0.0102)
Inner rotor to outer rotor tip clearance	Below 0.180 (0.0071)
Body to inner rotor side clearance	0.030 - 0.070 (0.0012 - 0.0028)
Body to outer rotor side clearance	0.050 - 0.110 (0.0020 - 0.0043)
Inner rotor to brazed portion of housing clearance	0.045 - 0.091 (0.0018 - 0.0036)

REGULATOR VALVE

Unit: mm (in)

Regulator valve to oil pump body clearance	0.040 - 0.097 (0.0016 - 0.0038)
--	---------------------------------

Tightening Torque

ABS0099T

Unit: N·m (kg-m, ft-lb)
Unit: N·m (kg-m, in-lb)*

Oil pressure switch	12.3 - 17.2 (1.25 - 1.75, 9 - 12)	
Oil pan drain plug	29.4 - 39.2 (3.0 - 4.0, 22 - 28)	
Oil cooler connector bolt	44.1 - 53.9 (4.5 - 5.4, 33 - 39)	
Water pipe	M6 bolt	8.4 - 10.8 (0.9 - 1.1, 75 - 95)*
	M10 bolt	30.4 - 36.3 (3.1 - 3.7, 23 - 26)
Oil pump body	6.4 - 7.5 (0.65 - 0.76, 57 - 66)*	
Oil pump cover	5.9 - 7.8 (0.60 - 0.80, 53 - 69)*	
Regulator valve plug	39.2 - 68.6 (4.0 - 7.0, 29 - 50)	

SERVICE DATA AND SPECIFICATIONS (SDS)
