

A  
SECTION **EX** EX  
EXHAUST SYSTEM C

D  
E  
CONTENTS

<b>PREPARATION</b> .....	2	Removal and Installation .....	3	F
Commercial Service Tools .....	2	REMOVAL .....	4	
<b>EXHAUST SYSTEM</b> .....	3	INSTALLATION .....	4	
Checking Exhaust System .....	3	Inspection After Installation .....	5	G

H  
I  
J  
K  
L  
M

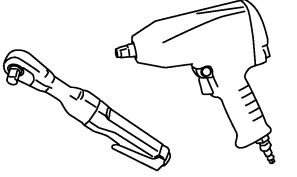
# PREPARATION

## PREPARATION

PFP:00002

### Commercial Service Tools

ABS00021

Tool name	Description
<p data-bbox="140 312 252 338">Power tool</p>  <p data-bbox="836 534 906 549">PBIC0190E</p>	<p data-bbox="999 312 1254 338">Loosening nuts and bolts</p>

# EXHAUST SYSTEM

## EXHAUST SYSTEM

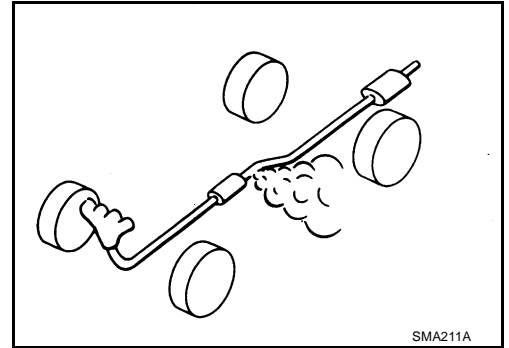
PF20:20100

### Checking Exhaust System

ABS0002X

Check exhaust pipes, muffler and mounting for improper attachment, leaks, cracks, damage or deterioration.

- If anything is found, repair or replace damaged parts.



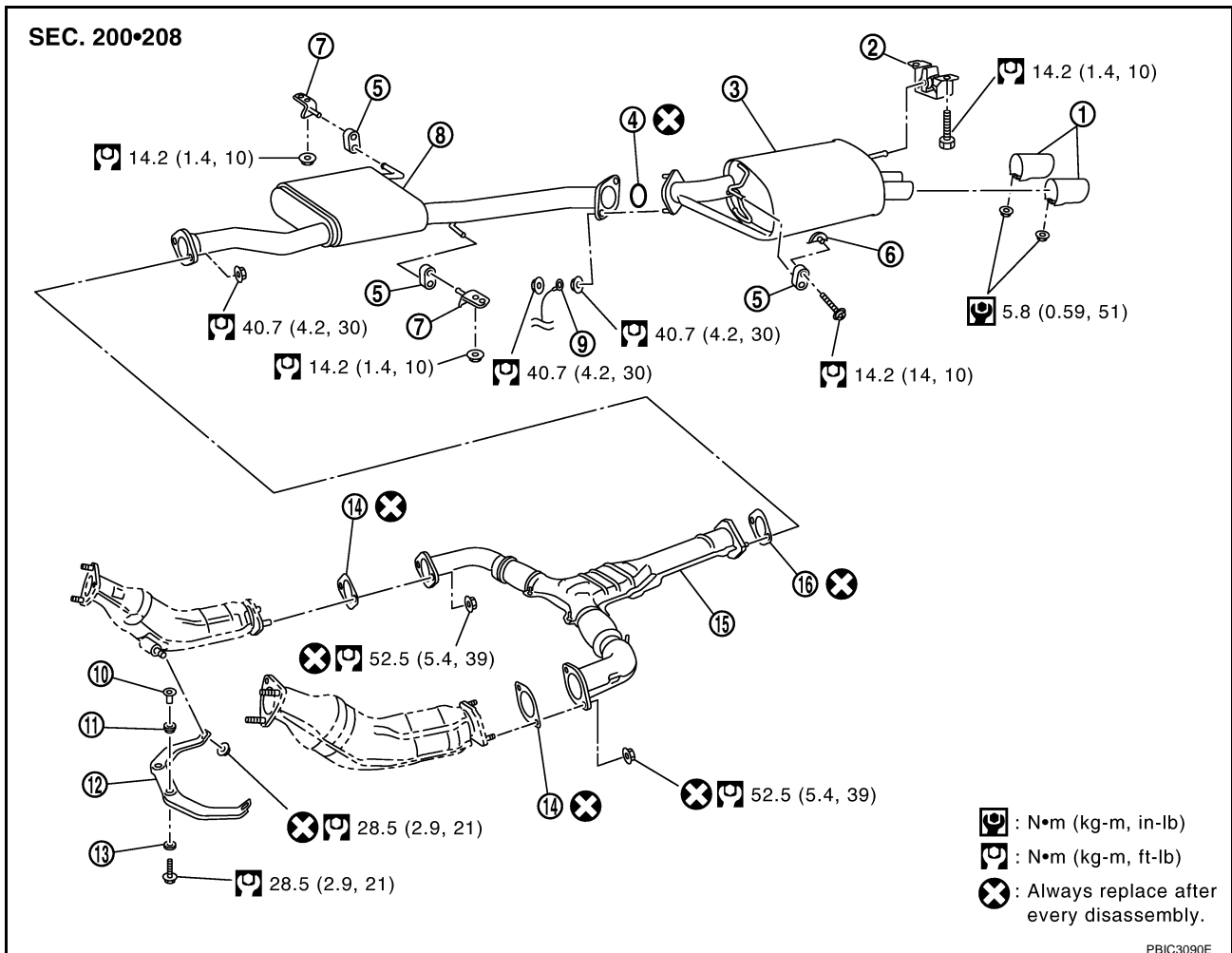
### Removal and Installation

ABS0002Y

#### CAUTION:

- Be sure to use genuine exhaust system parts or equivalents which are specially designed for heat resistance, corrosion resistance, and shape.
- Perform the operation with the exhaust system fully cooled down because the system will be hot just after the engine stops.
- Be careful not to cut your hand on the heated insulator edge.

#### 2WD MODEL

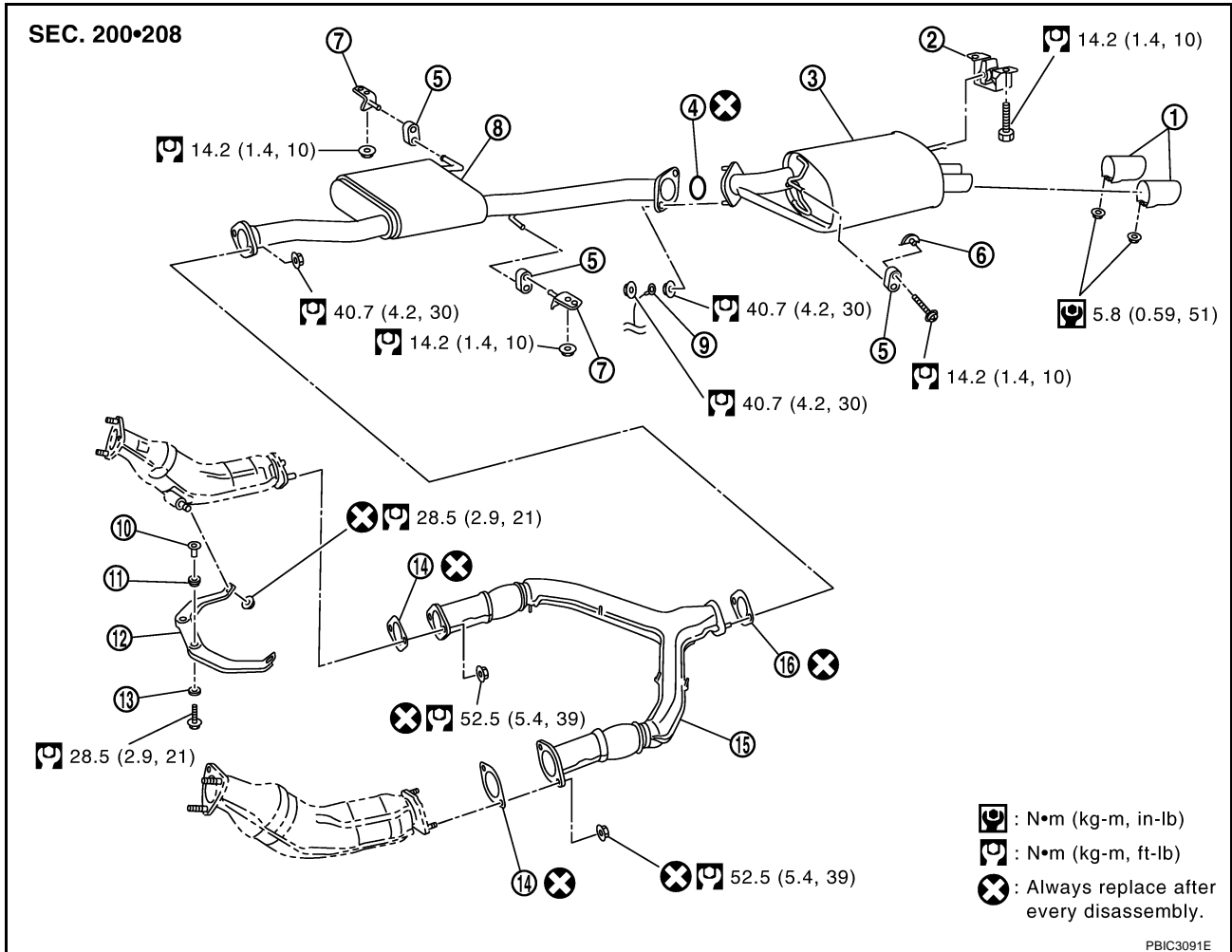


- |                     |                    |                 |
|---------------------|--------------------|-----------------|
| 1. Finisher         | 2. Mounting rubber | 3. Main muffler |
| 4. Ring gasket      | 5. Mounting rubber | 6. Collar       |
| 7. Mounting bracket | 8. Center muffler  | 9. Ground cable |

# EXHAUST SYSTEM

- |             |             |                              |
|-------------|-------------|------------------------------|
| 10. Collar  | 11. Grommet | 12. Exhaust mounting bracket |
| 13. Grommet | 14. Gasket  | 15. Exhaust front tube       |
| 16. Gasket  |             |                              |

## AWD MODEL



- |                     |                    |                              |
|---------------------|--------------------|------------------------------|
| 1. Finisher         | 2. Mounting rubber | 3. Main muffler              |
| 4. Ring gasket      | 5. Mounting rubber | 6. Collar                    |
| 7. Mounting bracket | 8. Center muffler  | 9. Ground cable              |
| 10. Collar          | 11. Grommet        | 12. Exhaust mounting bracket |
| 13. Grommet         | 14. Gasket         | 15. Exhaust front tube       |
| 16. Gasket          |                    |                              |

## REMOVAL

Disconnect each joint and mounting using power tool.

## INSTALLATION

Note to the following, and install in the reverse order of removal.

### CAUTION:

- Always replace exhaust gaskets with new ones when reassembling.
- If insulator is badly deformed, repair or replace it. If deposits such as mud pile up on the insulator, remove them.
- When installing insulator avoid large gaps or interference between insulator and each exhaust pipe.
- Remove deposits from the sealing surface of each connection. Connect them securely to avoid gas leakage.

# EXHAUST SYSTEM

- Temporarily tighten mounting nuts. Check each part for unusual interference, and then tighten them to the specified torque.
- When installing each mounting rubber, avoid twisting or unusual extension in up/down and right/left directions.

A

## Inspection After Installation

ABS0002Z

EX

- With the engine running, check exhaust tube joints for gas leakage and unusual noises.
- Check to ensure that mounting brackets and mounting rubbers are installed properly and free from undue stress. Improper installation could result in excessive noise and vibration.
- Make sure that clearance between finisher and rear bumper is even.

C

D

E

F

G

H

I

J

K

L

M

# EXHAUST SYSTEM

---