

SECTION **SR**  
SRS AIRBAG

A  
B  
C  
D  
E  
F  
G  
SR  
I  
J  
K  
L  
M  
N  
O  
P

CONTENTS

<b>PRECAUTION</b> .....	2	Exploded View .....	10
<b>PRECAUTIONS</b> .....	2	Removal and Installation .....	10
Precaution for Supplemental Restraint System (SRS) "AIR BAG" and "SEAT BELT PRE-TENSIONER" .....	2	<b>SIDE CURTAIN AIR BAG MODULE</b> .....	12
Service .....	2	Exploded View .....	12
Precaution for Battery Service .....	2	Removal and Installation .....	12
Occupant Classification System .....	2	<b>CRASH ZONE SENSOR</b> .....	14
<b>PREPARATION</b> .....	3	Exploded View .....	14
<b>PREPARATION</b> .....	3	Removal and Installation .....	14
Commercial Service Tools .....	3	<b>SIDE AIR BAG (SATELLITE) SENSOR</b> .....	15
<b>ON-VEHICLE REPAIR</b> .....	4	Exploded View .....	15
<b>DRIVER AIR BAG MODULE</b> .....	4	Removal and Installation .....	15
Exploded View .....	4	<b>DIAGNOSIS SENSOR UNIT</b> .....	16
Removal and Installation .....	4	Exploded View .....	16
<b>SPIRAL CABLE</b> .....	7	Removal and Installation .....	16
Exploded View .....	7	<b>FRONT SEAT BELT PRE-TENSIONER</b> .....	18
Removal and Installation .....	7	Removal and Installation .....	18
<b>FRONT PASSENGER AIR BAG MODULE</b> .....	10	<b>OCCUPANT CLASSIFICATION SYSTEM CONTROL UNIT</b> .....	19
		Removal and Installation .....	19

# PRECAUTIONS

< PRECAUTION >

## PRECAUTION

### PRECAUTIONS

#### Precaution for Supplemental Restraint System (SRS) "AIR BAG" and "SEAT BELT PRE-TENSIONER"

INFOID:000000001694781

The Supplemental Restraint System such as "AIR BAG" and "SEAT BELT PRE-TENSIONER", used along with a front seat belt, helps to reduce the risk or severity of injury to the driver and front passenger for certain types of collision. This system includes seat belt switch inputs and dual stage front air bag modules. The SRS system uses the seat belt switches to determine the front air bag deployment, and may only deploy one front air bag, depending on the severity of a collision and whether the front occupants are belted or unbelted. Information necessary to service the system safely is included in the "SRS AIRBAG" and "SEAT BELT" of this Service Manual.

#### **WARNING:**

- **To avoid rendering the SRS inoperative, which could increase the risk of personal injury or death in the event of a collision which would result in air bag inflation, all maintenance must be performed by an authorized NISSAN/INFINITI dealer.**
- **Improper maintenance, including incorrect removal and installation of the SRS, can lead to personal injury caused by unintentional activation of the system. For removal of Spiral Cable and Air Bag Module, see the "SRS AIRBAG".**
- **Do not use electrical test equipment on any circuit related to the SRS unless instructed to in this Service Manual. SRS wiring harnesses can be identified by yellow and/or orange harnesses or harness connectors.**

#### Service

INFOID:000000001683237

- Do not use electrical test equipment to check SRS circuits unless instructed to in this Service Manual.
- Before servicing the SRS, turn ignition switch OFF, disconnect both battery cables and wait at least 3 minutes.  
For approximately 3 minutes after the cables are removed, it is still possible for the air bag and seat belt pretensioner to deploy. Therefore, do not work on any SRS connectors or wires until at least 3 minutes have elapsed.
- Diagnosis sensor unit must always be installed with their arrow marks "⇐" pointing towards the front of the vehicle for proper operation. Also check diagnosis sensor unit for cracks, deformities or rust before installation and replace as required.
- The spiral cable must be aligned in the neutral position since its rotations are limited. Do not turn steering wheel and column after removal of steering gear.
- Handle air bag module carefully. Always place driver and front passenger air bag modules with the pad side facing upward and seat mounted front side air bag module standing with the stud bolt side facing down.
- Conduct self-diagnosis to check entire SRS for proper functioning after replacing any components.
- After air bag inflates, the front instrument panel assembly should be replaced if damaged.
- Always replace instrument panel pad following front passenger air bag deployment.

#### Precaution for Battery Service

INFOID:000000002912446

Before disconnecting the battery, lower both the driver and passenger windows. This will prevent any interference between the window edge and the vehicle when the door is opened/closed. During normal operation, the window slightly raises and lowers automatically to prevent any window to vehicle interference. The automatic window function will not work with the battery disconnected.

#### Occupant Classification System

INFOID:000000001683238

- Replace occupant classification system control unit and passenger front seat cushion as an assembly. Refer to [SE-152, "Removal and Installation"](#).

# PREPARATION

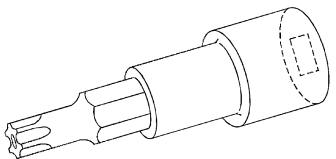
< PREPARATION >

## PREPARATION

### PREPARATION

#### Commercial Service Tools

INFOID:000000001694452

Tool name	Description
<p data-bbox="186 514 454 541">Tamper resistant TORX bit</p>  <p data-bbox="844 630 901 646">S-NT757</p>	<p data-bbox="990 504 1437 556">Removal tool of driver air bag module and/or Diagnosis sensor unit</p>

A

B

C

D

E

F

G

**SR**

I

J

K

L

M

N

O

P

# DRIVER AIR BAG MODULE

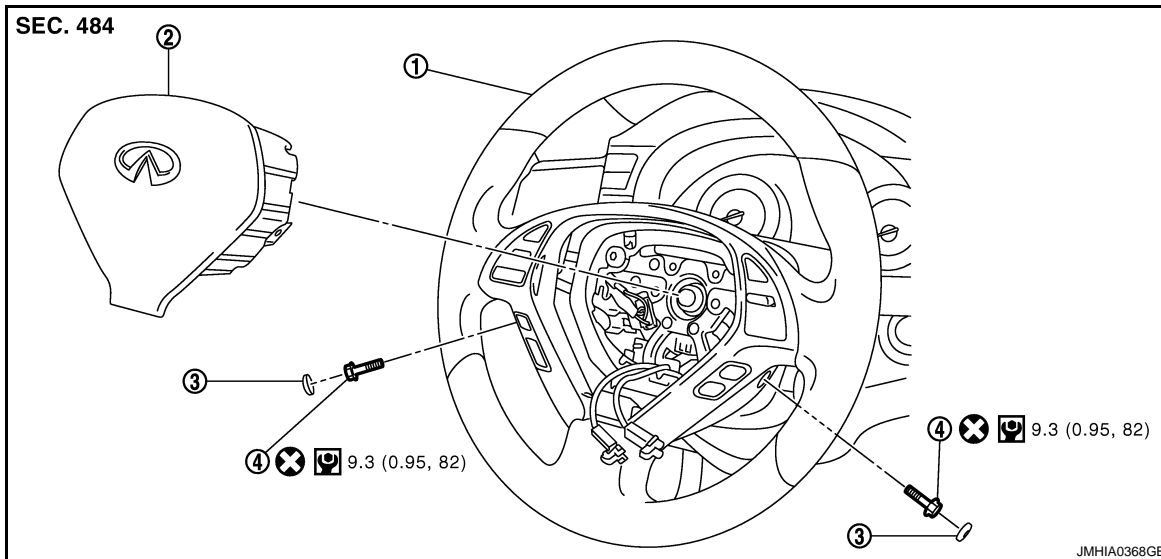
< ON-VEHICLE REPAIR >

## ON-VEHICLE REPAIR

### DRIVER AIR BAG MODULE

#### Exploded View

INFOID:000000001694453



1. Steering wheel
2. Driver air bag module
3. Side lid (left/right)
4. TORX bolt (left/right)

Refer to [GI-4, "Components"](#) for symbols in the figure.

#### Removal and Installation

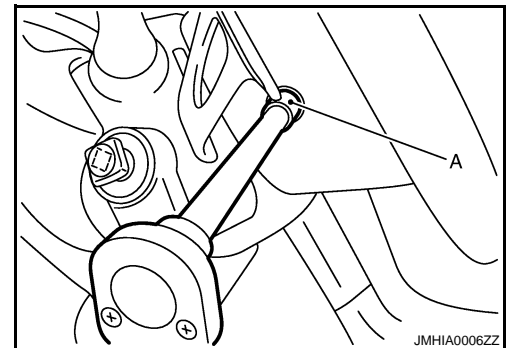
INFOID:000000001694454

##### **WARNING:**

- Before servicing, turn ignition switch OFF, disconnect both battery terminals and wait at least 3 minutes.
- Always work from the side of air bag module. Do not work in front of it.
- Do not use air tools or electric tools for servicing.

##### REMOVAL

1. Remove the side lids (left / right).
2. Using Tamper resistant TORX bit (A), remove the TORX bolt on left/right.



3. Pull out driver air bag module assembly.

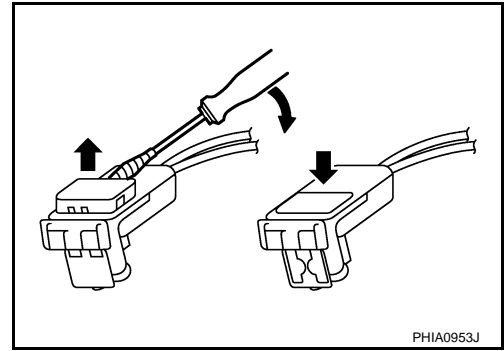
# DRIVER AIR BAG MODULE

## < ON-VEHICLE REPAIR >

4. Disconnect driver air bag module harness connector.

**NOTE:**

- For installing/removing driver air bag module harness connector, insert thin screwdriver wrapped in tape into notch, lift lock and remove connector.
- Install connector with lock raised, and push lock into connector.
- After installing the connector, check that the lock is pushed securely into it.



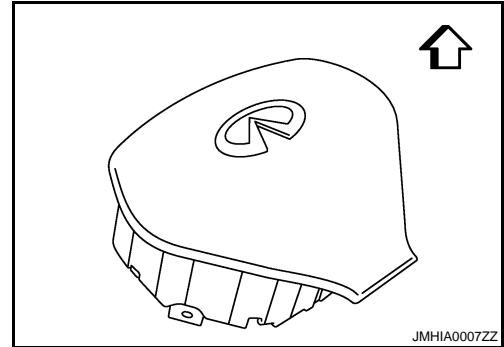
5. Remove the driver air bag module.

**CAUTION:**

- Always place driver air bag module with pad side facing upward.

↖ : Upward

- Do not insert any foreign objects (screwdriver, etc.) into driver air bag module.
- Do not disassemble driver air bag module.
- Do not use old TORX bolts after removal; replace with new bolts.
- Do not expose the driver air bag module to temperatures exceeding 90°C (194°F).
- Do not allow oil, grease or water to come in contact with the driver air bag module.



- Replace the driver air bag module if it has been dropped or sustained an impact.

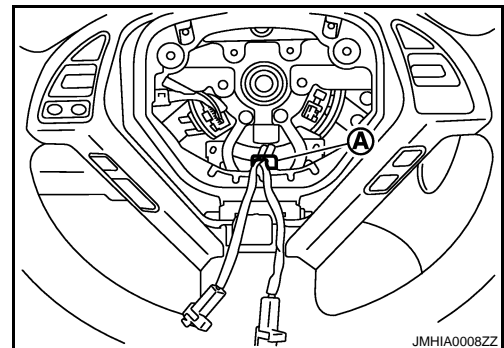


## INSTALLATION

Install in the reverse order of removal.

**CAUTION:**

- Fix the driver air bag module harness to the harness fixing hook (A).
- Do not damage the harness while installing.
- Tighten the TORX bolts after completely adjusting the centers of fixing holes on the driver air bag module side and the steering wheel side. If the holes are misaligned, the bolt threads are damaged and the module is not installed securely.



- In the case that a malfunction is detected by the air bag warning lamp, reset by the self-diagnosis function and delete the memory by CONSULT-III.
- In the case that a malfunction is still detected after the above operation, perform self-diagnosis to repair malfunctions.

A  
B  
C  
D  
E  
F  
G  
SR  
I  
J  
K  
L  
M  
N  
O  
P

## DRIVER AIR BAG MODULE

< ON-VEHICLE REPAIR >

---

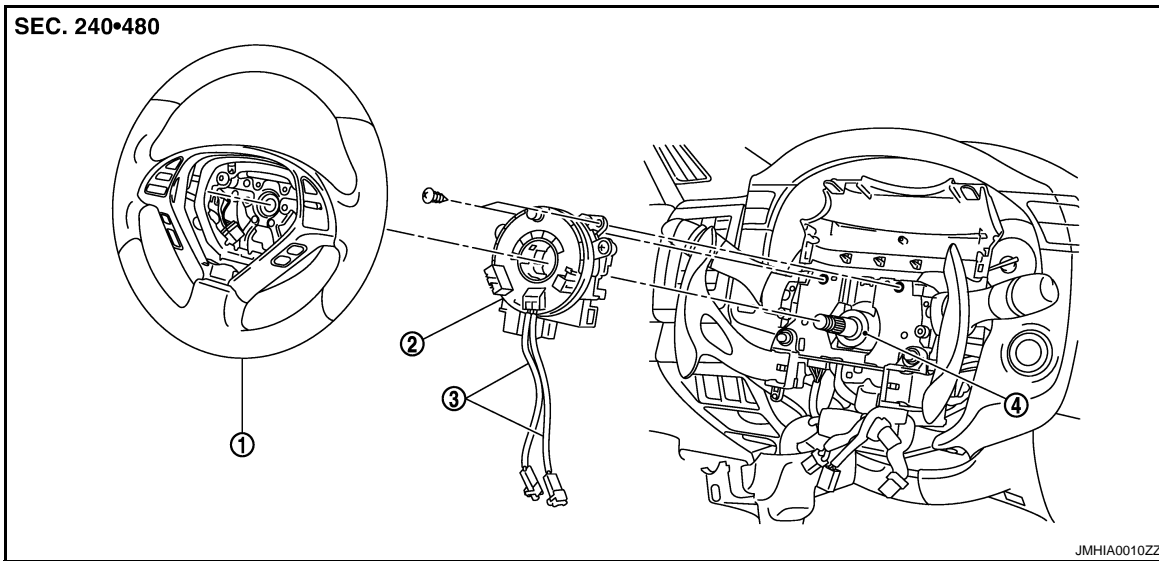
- After the work is completed, check that no system malfunction is detected by air bag warning lamp. Refer to [SRC-15, "Diagnosis Description"](#).

# SPIRAL CABLE

< ON-VEHICLE REPAIR >

## SPIRAL CABLE

### Exploded View



1. Steering wheel

2. Spiral cable

3. Driver air bag module harness connector

4. Steering column assembly

### Removal and Installation

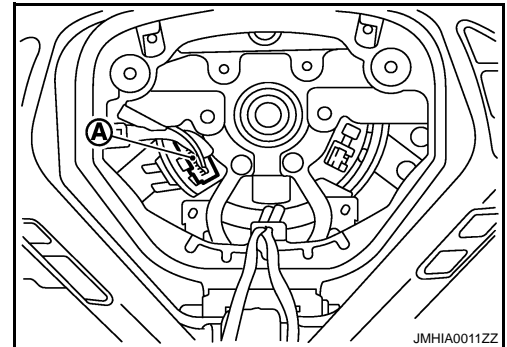
INFOID:000000001694456

#### **WARNING:**

- Before servicing, turn ignition switch OFF, disconnect both battery terminals and wait at least 3 minutes.
- Do not use air tools or electric tools for servicing.

#### REMOVAL

1. Remove the driver air bag module. Refer to [SR-4. "Removal and Installation"](#).
2. Disconnect steering horn switch harness connector (A).



3. Remove the steering wheel. Refer to [ST-15. "Removal and Installation"](#).
4. Remove the steering column cover (upper/lower/side). Refer to [IP-12. "Removal and Installation"](#).
5. Remove the spiral cable fixing screws.
6. Pull out forward the spiral cable and steering angle sensor.

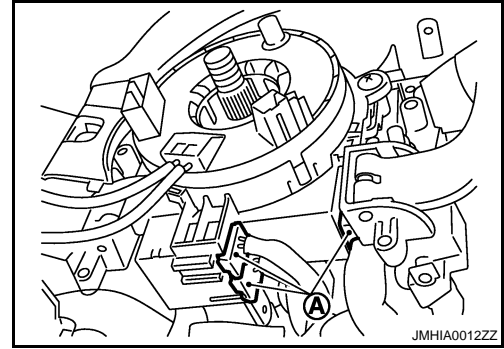
# SPIRAL CABLE

## < ON-VEHICLE REPAIR >

7. Disconnect spiral cable body side harness connectors (A).

**NOTE:**

Disconnect spiral cable body side harness connector after removing the spiral cable.



**CAUTION:**

- Do not disassemble the spiral cable.
- Do not apply lubricant to the spiral cable.
- Do not allow oil, grease, detergent or water to come in contact with the spiral cable.
- Do not impact the spiral cable by dropping, etc. Replace the spiral cable if it has been dropped or sustained an impact.

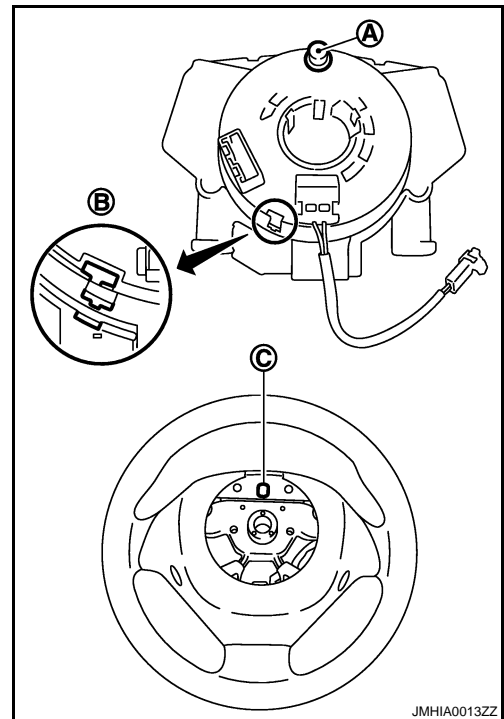


## INSTALLATION

Install in the reverse order of removal.

**CAUTION:**

- The spiral cable may snap during steering operation if the cable is installed in an improper position. The neutral position is set as follows.
- Turn carefully the spiral cable clockwise to the end position. Then turn it counterclockwise (about 2 and a half turns) and stop turning at the point (B) on which the stopper insertion holes are in the same position.
- The service part is installed in the neutral position by the stopper and can be set without adjusting after the stopper is removed.
- Do not over turn the spiral cable or go beyond number of turns required. (These will cause the cable to snap.)
- Adjust the spiral cable locating pin (A) to the steering wheel locating pin hole (C).



- In the case that a malfunction is detected by the air bag warning lamp, reset by the self-diagnosis function and delete the memory by CONSULT-III.
- In the case that a malfunction is still detected after the above operation, perform self-diagnosis to repair malfunctions.



# SPIRAL CABLE

< ON-VEHICLE REPAIR >

- After the work is completed, check that no system malfunction is detected by air bag warning lamp. Refer to [SRC-15, "Diagnosis Description"](#).

A

B

C

D

E

F

G

SR

I

J

K

L

M

N

O

P

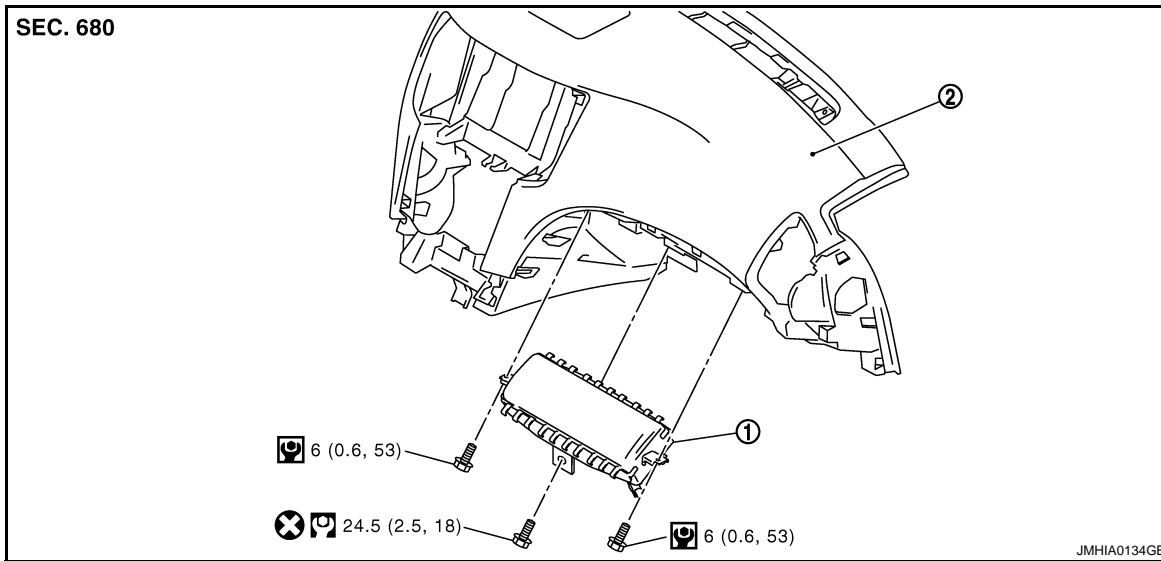
# FRONT PASSENGER AIR BAG MODULE

< ON-VEHICLE REPAIR >

## FRONT PASSENGER AIR BAG MODULE

### Exploded View

INFOID:000000001694457



1. Passenger air bag module
2. Instrument panel assembly

Refer to [GI-4, "Components"](#) for symbols in the figure.

### Removal and Installation

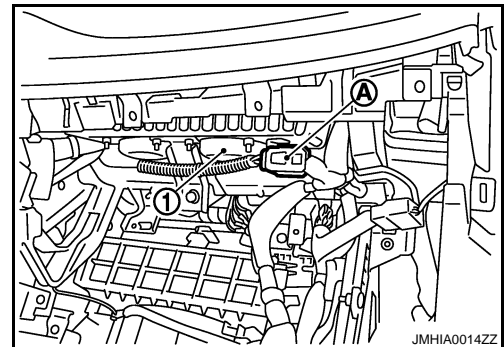
INFOID:000000001694458

#### **WARNING:**

- Before servicing, turn ignition switch OFF, disconnect both battery terminals and wait at least 3 minutes.
- Always work from the side of air bag module. Do not work in front of it.
- Do not use air tools or electric tools for servicing.

#### REMOVAL

1. Remove the glove box assembly. Refer to [IP-12, "Removal and Installation"](#).
2. Remove the Instrument lower assist panel. Refer to [IP-12, "Removal and Installation"](#).
3. Disconnect passenger air bag module harness connector (A) from passenger air bag module (1).



4. Remove the passenger air bag module fixing bolt and screws.

#### **NOTE:**

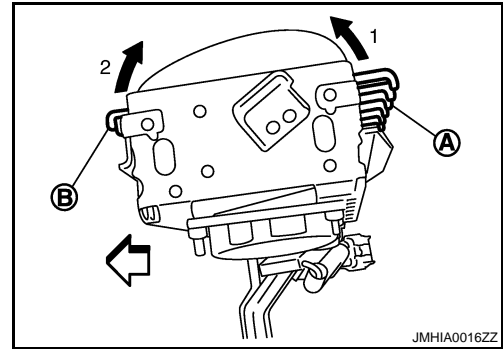
The figure shows the installed front passenger air bag module. (Under view of the module installed without glove box cover.)

# FRONT PASSENGER AIR BAG MODULE

## < ON-VEHICLE REPAIR >

5. Disconnect pawls (A)(B), and then remove passenger air bag module.

↶ : Vehicle front

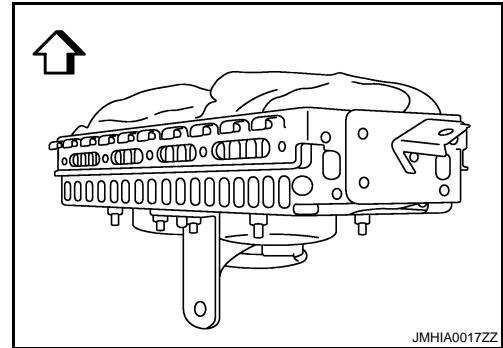


### CAUTION:

- Always place passenger air bag module with pad side facing upward.

↶ : Upward

- Do not insert any foreign objects (screwdriver, etc.) into passenger air bag module.
- Do not disassemble passenger air bag module.
- Do not use old fixing bolts after removal; replace with new bolts.
- Do not expose the passenger air bag module to temperatures exceeding 90°C (194°F).
- Do not allow oil, grease or water to come in contact with the passenger air bag module.
- Replace the passenger air bag module if it has been dropped or sustained an impact.



## INSTALLATION

Install in the reverse order of removal.

### CAUTION:

- Do not damage the harness while installing.
- In the case that a malfunction is detected by the air bag warning lamp, reset by the self-diagnosis function and delete the memory by CONSULT-III.
- In the case that a malfunction is still detected after the above operation, perform self-diagnosis to repair malfunctions.
- After the work is completed, check that no system malfunction is detected by air bag warning lamp. Refer to [SRC-15, "Diagnosis Description"](#).

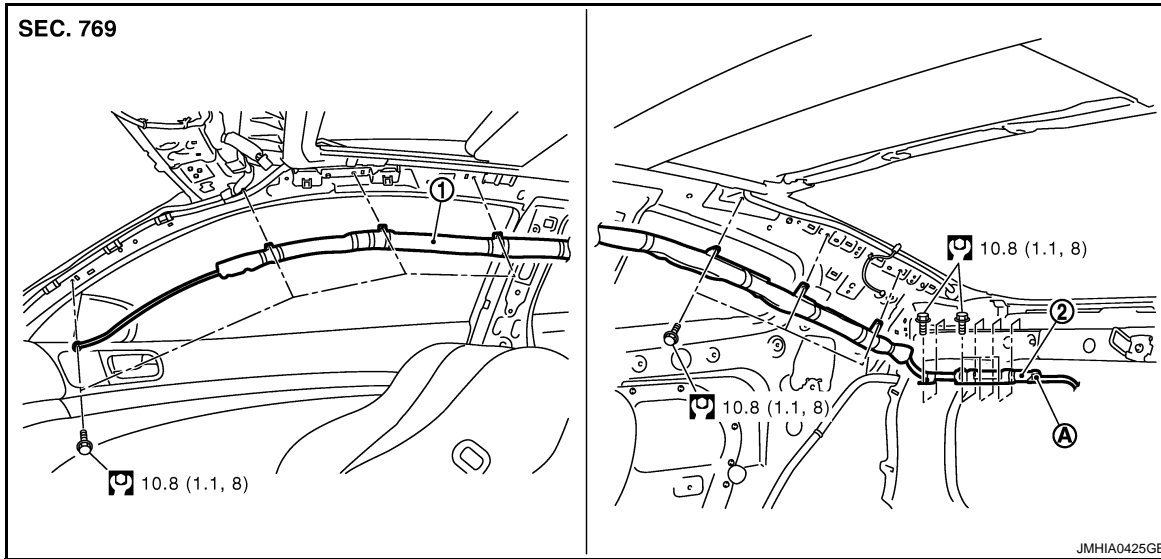
# SIDE CURTAIN AIR BAG MODULE

< ON-VEHICLE REPAIR >

## SIDE CURTAIN AIR BAG MODULE

### Exploded View

INFOID:000000001694459



1. Side curtain air bag
2. Side curtain air bag inflator
- A. Side curtain air bag module harness connector

Refer to [GI-4, "Components"](#) for symbols in the figure.

### Removal and Installation

INFOID:000000001694460

#### **WARNING:**

- Before servicing, turn ignition switch OFF, disconnect both battery terminals and wait at least 3 minutes.
- Do not use air tools or electric tools for servicing.

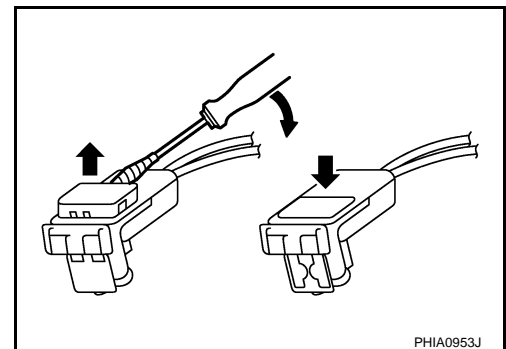
#### REMOVAL

1. Remove the headlining. Refer to [INT-21, "NORMAL ROOF : Removal and Installation"](#) and [INT-24, "SUN-ROOF : Removal and Installation"](#).

2. Remove the side curtain air bag module harness connector.

#### **NOTE:**

- For installing/removing side curtain air bag module harness connector, insert thin screwdriver wrapped in tape into notch, lift lock and remove connector.
- Install connector with lock raised, and push lock into connector.
- After installing the connector, check that the lock is pushed securely into it.



3. Remove fixing bolts, and then remove side curtain air bag module.

#### **CAUTION:**

- Do not insert any foreign objects (screwdriver, etc.) into side curtain air bag module.
- Do not disassemble side curtain air bag module.
- Do not expose the side curtain air bag module to temperatures exceeding 90°C (194°F).
- Do not allow oil, grease or water to come in contact with the side curtain air bag module.

## SIDE CURTAIN AIR BAG MODULE

### < ON-VEHICLE REPAIR >

- Replace the side curtain air bag module if it has been dropped or sustained an impact.



### INSTALLATION

Install in the reverse order of removal.

#### **CAUTION:**

- Do not damage the harness while installing.
- In the case that a malfunction is detected by the air bag warning lamp, reset by the self-diagnosis function and delete the memory by CONSULT-III.
- In the case that a malfunction is still detected after the above operation, perform self-diagnosis to repair malfunctions.
- After the work is completed, check that no system malfunction is detected by air bag warning lamp. Refer to [SRC-15, "Diagnosis Description"](#).

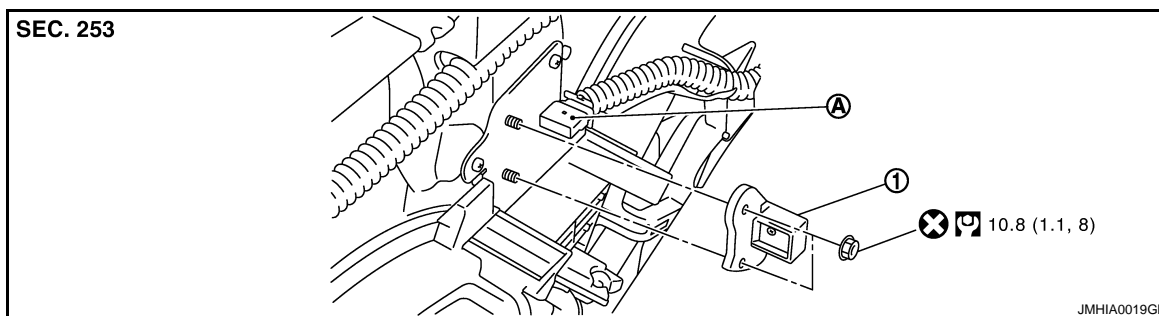
A  
B  
C  
D  
E  
F  
G  
SR  
I  
J  
K  
L  
M  
N  
O  
P

# CRASH ZONE SENSOR

< ON-VEHICLE REPAIR >

## CRASH ZONE SENSOR

### Exploded View



1. Crash zone sensor
- A. Crash zone sensor harness connector

Refer to [GI-4, "Components"](#) for symbols in the figure.

### Removal and Installation

INFOID:000000001694462

#### WARNING:

- Before servicing, turn ignition switch OFF, disconnect both battery terminals and wait at least 3 minutes.
- Do not use air tools or electric tools for servicing.

#### REMOVAL

1. Remove the reservoir tank. Refer to [CO-14, "Exploded View"](#).
2. Remove the crash zone sensor fixing nuts.
3. Disconnect crash zone sensor harness connector.

#### CAUTION:

- Do not use old fixing nuts after removal; replace with new nuts.
- Replace the crash zone sensor if it has been dropped or sustained an impact.
- Replace the crash zone sensor of deployed SRS driver air bag and deployed SRS front passenger air bag.



#### INSTALLATION

Install in the reverse order of removal.

#### CAUTION:

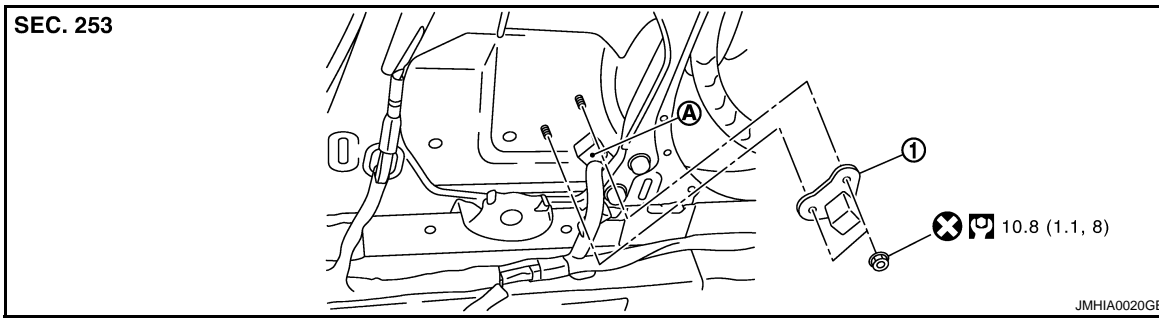
- Do not damage the harness while installing.
- In the case that a malfunction is detected by the air bag warning lamp, reset by the self-diagnosis function and delete the memory by CONSULT-III.
- In the case that a malfunction is still detected after the above operation, perform self-diagnosis to repair malfunctions.
- After the work is completed, check that no system malfunction is detected by air bag warning lamp. Refer to [SRC-15, "Diagnosis Description"](#).

# SIDE AIR BAG (SATELLITE) SENSOR

< ON-VEHICLE REPAIR >

## SIDE AIR BAG (SATELLITE) SENSOR

### Exploded View



1. Satellite sensor
- A. Satellite sensor harness connector

Refer to [GI-4. "Components"](#) for symbols in the figure.

### Removal and Installation

INFOID:000000001694464

#### **WARNING:**

- Before servicing, turn ignition switch OFF, disconnect both battery terminals and wait at least 3 minutes.
- Do not use air tools or electric tools for servicing.

#### REMOVAL

1. Remove the front seat belt. Refer to [SB-5. "SEAT BELT RETRACTOR : Removal and Installation"](#).
2. Remove the satellite sensor fixing nuts.
3. Disconnect harness connector and then remove satellite sensor.

#### **CAUTION:**

- Do not use old fixing nuts after removal; replace with new nuts.
- Replace the satellite sensor if it has been dropped or sustained an impact.
- Replace the satellite sensor of deployed SRS front side air bag module and deployed SRS side curtain air bag module.



#### INSTALLATION

Install in the reverse order of removal.

#### **CAUTION:**

- Do not damage the harness while installing.
- In the case that a malfunction is detected by the air bag warning lamp, reset by the self-diagnosis function and delete the memory by CONSULT-III.
- In the case that a malfunction is still detected after the above operation, perform self-diagnosis to repair malfunctions.
- After the work is completed, check that no system malfunction is detected by air bag warning lamp. Refer to [SRC-15. "Diagnosis Description"](#).

A  
B  
C  
D  
E  
F  
G  
SR  
I  
J  
K  
L  
M  
N  
O  
P

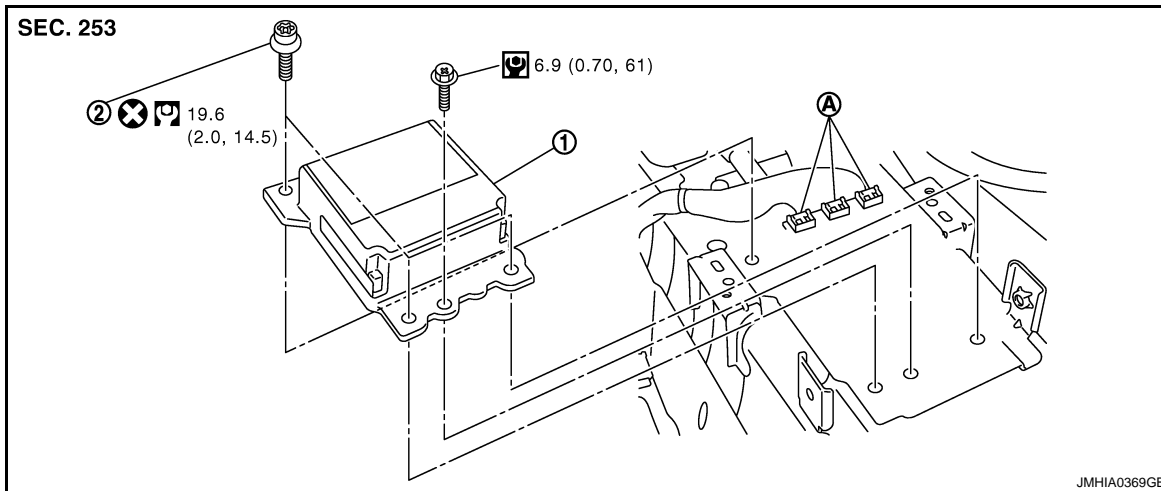
# DIAGNOSIS SENSOR UNIT

< ON-VEHICLE REPAIR >

## DIAGNOSIS SENSOR UNIT

### Exploded View

INFOID:000000001694465



1. Diagnosis sensor unit
2. TORX bolt
- A. Diagnosis sensor unit harness connectors

Refer to [GI-4, "Components"](#) for symbols in the figure.

### Removal and Installation

INFOID:000000001694466

#### WARNING:

- Before servicing, turn ignition switch OFF, disconnect both battery terminals and wait at least 3 minutes.
- Before disconnecting the air bag sensor unit harness connector, be sure to disconnect the each harness connector of the air bag module and pre-tensioner seat belt to prevent air bag deployment by static electricity and pre-tensioner seat belt operation.
- Do not use air tools or electric tools for servicing.

#### REMOVAL

1. Disconnect each connector of all air bag modules and pre-tensioner seat belts.
2. Remove the center console assembly. Refer to [IP-24, "Removal and Installation"](#).
3. Remove the center console rear bracket. Refer to [IP-23, "Exploded View"](#).
4. Disconnect diagnosis sensor unit harness connector.
5. Remove TORX bolts, ground bolt, and then remove diagnosis sensor unit.

#### CAUTION:

- Do not use old TORX bolts after removal; replace with new TORX bolts.
- Replace the diagnosis sensor unit if it has been dropped or sustained an impact.
- Replace the diagnosis sensor unit of deployed SRS air bag and deployed SRS front seat belt pre-tensioner.



#### INSTALLATION

Install in the reverse order of removal.

#### CAUTION:



# DIAGNOSIS SENSOR UNIT

## < ON-VEHICLE REPAIR >

- Do not damage the harness while installing.
- In the case that a malfunction is detected by the air bag warning lamp, reset by the self-diagnosis function and delete the memory by CONSULT-III.
- In the case that a malfunction is still detected after the above operation, perform self-diagnosis to repair malfunctions.
- After the work is completed, check that no system malfunction is detected by air bag warning lamp. Refer to [SRC-15. "Diagnosis Description"](#).

### ECU DISCRIMINATED NO.

After replacing the diagnosis sensor unit, confirm that the diagnosis sensor unit identification is correct for the vehicle as equipped.

	Specification	ECU DISCRIMINATED No.
2WD	Models with driver and passenger air bags, seat belt pre-tensioner, side air bags and curtain air bags	AED0

A  
B  
C  
D  
E  
F  
G  
I  
J  
K  
L  
M  
N  
O  
P

SR

## FRONT SEAT BELT PRE-TENSIONER

< ON-VEHICLE REPAIR >

---

### FRONT SEAT BELT PRE-TENSIONER

#### Removal and Installation

INFOID:000000001694467

For removal and installation procedures, refer to [SB-5. "SEAT BELT RETRACTOR : Removal and Installation"](#).

# OCCUPANT CLASSIFICATION SYSTEM CONTROL UNIT

< ON-VEHICLE REPAIR >

## OCCUPANT CLASSIFICATION SYSTEM CONTROL UNIT

### Removal and Installation

INFOID:000000001694468

For removal and installation

The occupant classification system control unit and seat sensor mat are an integral part of the front passenger seat cushion and are replaced as an assembly. Refer to [SE-152, "Removal and Installation"](#).

A

B

C

D

E

F

G

SR

I

J

K

L

M

N

O

P