

# STEERING SYSTEM

## SECTION **ST**

GI  
MA  
EM  
LC  
EC  
FE  
AT  
AX  
SU  
BR  
**ST**  
RS  
BT  
HA  
SC  
EL  
IDX

## CONTENTS

<b>PRECAUTIONS</b> .....	2	Disassembly and Assembly .....	13
Supplemental Restraint System (SRS) "AIR BAG" and "SEAT BELT PRE-TENSIONER" .....	2	Inspection .....	14
Precautions for Steering System .....	2	TILT MECHANISM .....	14
<b>PREPARATION</b> .....	3	<b>POWER STEERING GEAR AND LINKAGE</b> .....	15
Special Service Tools .....	3	Components .....	15
Commercial Service Tool .....	4	Removal and Installation .....	16
<b>NOISE, VIBRATION AND HARSHNESS (NVH)</b>		Disassembly .....	18
<b>TROUBLESHOOTING</b> .....	5	Inspection .....	19
NVH Troubleshooting Chart .....	5	BOOT .....	19
<b>ON-VEHICLE SERVICE</b> .....	6	RACK .....	19
Checking Steering Wheel Play .....	6	GEAR SUB-ASSEMBLY .....	19
Checking Neutral Position on Steering Wheel .....	6	GEAR HOUSING CYLINDER .....	19
PRE-CHECKING .....	6	TIE-ROD OUTER AND INNER SOCKETS .....	19
CHECKING .....	6	Assembly .....	20
Front Wheel Turning Angle .....	6	Adjustment .....	23
Checking Gear Housing Movement .....	6	<b>POWER STEERING OIL PUMP</b> .....	25
Checking and Adjusting Drive Belts .....	7	Components .....	25
Checking Fluid Level .....	7	Pre-disassembly Inspection .....	25
Checking Fluid Leakage .....	7	Disassembly .....	26
Bleeding Hydraulic System .....	7	Inspection .....	27
Checking Steering Wheel Turning Force .....	8	Assembly .....	27
Checking Hydraulic System .....	9	<b>SERVICE DATA AND SPECIFICATIONS (SDS)</b> .....	29
<b>STEERING WHEEL AND STEERING COLUMN</b> .....	10	General Specifications .....	29
Components .....	10	Steering Wheel .....	29
Removal and Installation .....	10	Steering Column .....	29
STEERING WHEEL .....	10	Steering Gear and Linkage .....	30
STEERING COLUMN .....	11	Power Steering .....	31

## PRECAUTIONS

Supplemental Restraint System (SRS) "AIR BAG" and "SEAT BELT PRE-TENSIONER"

---

### Supplemental Restraint System (SRS) "AIR BAG" and "SEAT BELT PRE-TENSIONER"

NHST0001

The Supplemental Restraint System such as "AIR BAG" and "SEAT BELT PRE-TENSIONER" used along with a seat belt, helps to reduce the risk or severity of injury to the driver and front passenger for certain types of collision. The SRS system composition which is available to INFINITI I30 is as follows:

- For a frontal collision  
The Supplemental Restraint System consists of driver air bag module (located in the center of the steering wheel), front passenger air bag module (located on the instrument panel on passenger side), seat belt pre-tensioners, a diagnosis sensor unit, warning lamp, wiring harness and spiral cable.
- For a side collision  
The Supplemental Restraint System consists of front side air bag module (located in the outer side of front seat), satellite sensor, diagnosis sensor unit (one of components of air bags for a frontal collision), wiring harness, warning lamp (one of components of air bags for a frontal collision).

Information necessary to service the system safely is included in the **RS section** of this Service Manual.

#### **WARNING:**

- To avoid rendering the SRS inoperative, which could increase the risk of personal injury or death in the event of a collision which would result in air bag inflation, all maintenance should be performed by an authorized INFINITI dealer.
- Improper maintenance, including incorrect removal and installation of the SRS, can lead to personal injury caused by intentional activation of the system. For removal of Spiral Cable and Air Bag Module, see the RS section.
- Do not use electrical test equipment on any circuit related to the SRS unless instructed to in this Service Manual. Spiral cable and wiring harnesses covered with yellow insulation tape either just before the harness connectors or for the complete harness are related to the SRS.

### Precautions for Steering System

NHST0003

- Before disassembly, thoroughly clean the outside of the unit.
- Disassembly should be done in a clean work area. It is important to prevent the internal parts from becoming contaminated by dirt or other foreign matter.
- Place disassembled parts in order, on a parts rack, for easier and proper assembly.
- Use nylon cloths or paper towels to clean the parts; common shop rags can leave lint that might interfere with their operation.
- Before inspection or reassembly, carefully clean all parts with a general purpose, non-flammable solvent.
- Before assembly, apply a coat of recommended power steering fluid\* to hydraulic parts. Vaseline may be applied to O-rings and seals. Do not use any grease.
- Replace all gaskets, seals and O-rings. Avoid damaging O-rings, seals and gaskets during installation. Perform functional tests whenever designated.

\*: Genuine Nissan PSF II or equivalent. Refer to MA-11, "Fluids and Lubricants".


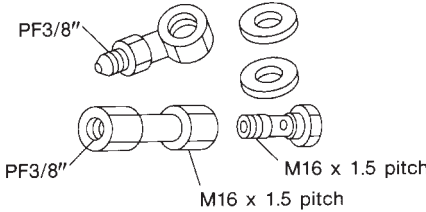
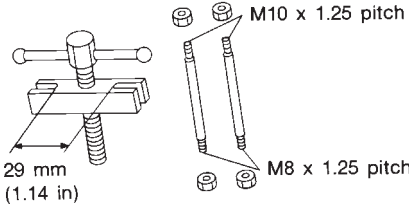
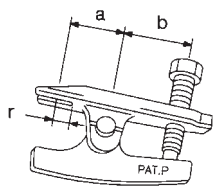
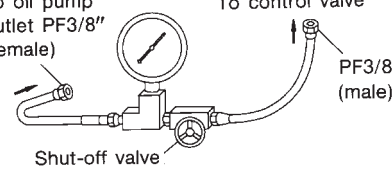
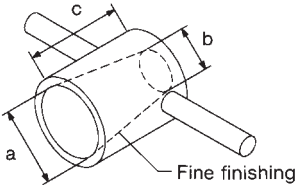
# PREPARATION

Special Service Tools

## Special Service Tools

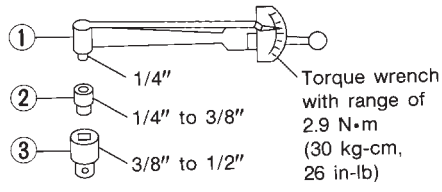
NHST0004

The actual shapes of Kent-Moore tools may differ from those of special service tools illustrated here.

Tool number (Kent-Moore No.) Tool name	Description		
KV48100700 (J26364) Torque adapter	 <p>NT169</p>	Measuring pinion rotating torque	GI MA EM
KV48102500 (J33914) Pressure gauge adapter	 <p>NT542</p>	Measuring oil pressure	LC EC FE
ST27180001 (J25726-A) Steering wheel puller	 <p>NT544</p>	Removing steering wheel	AT AX SU
HT72520000 (J25730-B) Ball joint remover	 <p>NT546</p>	Removing ball joint a: 33 mm (1.30 in) b: 50 mm (1.97 in) r: R11.5 mm (0.453 in)	BR <b>ST</b> RS
KV48103500 (J26357-A and J26357-10) Pressure gauge	 <p>NT547</p>	Measuring oil pressure	BT HA
KV48104400 ( ) Rack seal ring reformer	 <p>NT550</p>	Reforming teflon ring a: 50 mm (1.97 in) dia. b: 36 mm (1.42 in) dia. c: 100 mm (3.94 in)	SC EL IDX

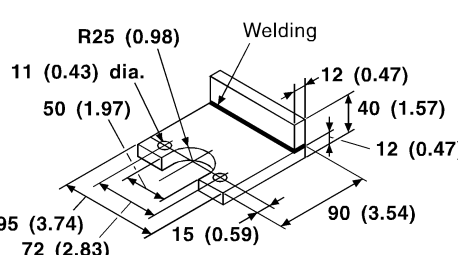
# PREPARATION

## Special Service Tools (Cont'd)

Tool number (Kent-Moore No.) Tool name	Description	
ST3127S000 1 GG91030000 (See J25765-A) Torque wrench 2 HT62940000 ( — ) Socket adapter 3 HT62900000 ( — ) Socket adapter	 <p style="margin-left: 20px;">NT541</p>	Measuring turning torque

## Commercial Service Tool

NHST0005

Tool number	Description	
Oil pump attachment	 <p style="margin-left: 20px;">NT774</p>	Disassembling and assembling oil pump Unit: mm (in)

# NOISE, VIBRATION AND HARSHNESS (NVH) TROUBLESHOOTING

NH-ST0006

NVH Troubleshooting Chart

## NVH Troubleshooting Chart

NHST0006S07

Use the chart below to help you find the cause of the symptom. If necessary, repair or replace these parts.

Reference page	Possible cause and SUSPECTED PARTS				
	STEERING	Noise	Shake	Vibration	Shimmy
ST-7			×		
ST-7		×			
ST-19		×			
ST-19		×			
ST-19		×			
ST-7		×			
ST-6		×			
ST-8		×			
MA-13		×			
—			×	×	
ST-10			×	×	×
ST-6		×	×	×	
ST-14			×		
ST-13			×		
ST-15		×			
AX-3		×	×	×	
AX-3		×	×	×	
SU-4		×	×	×	
SU-4		×	×	×	
SU-4		×			×
BR-7		×			×

x: Applicable

ST

BR

SU

AX

AT

FE

EG

LG

EM

MA

GI

RS

BT

HA

SC

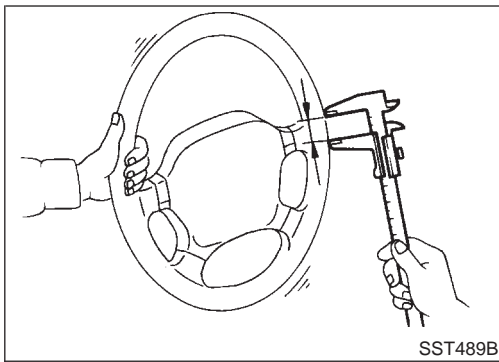
EL

IDX

ST-5

# ON-VEHICLE SERVICE

## Checking Steering Wheel Play



## Checking Steering Wheel Play

NHST0007

- With wheels in a straight-ahead position, check steering wheel play.

### Steering wheel play:

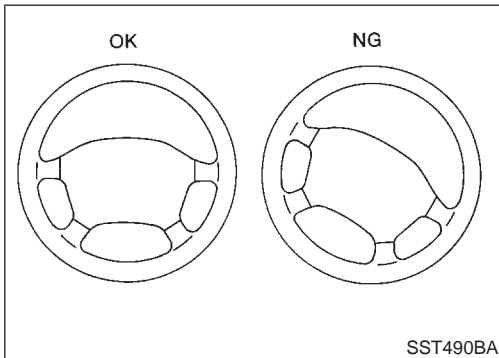
**35 mm (1.38 in) or less**

- If it is not within specification, check the following for loose or worn components.

### Steering gear assembly

### Steering column

### Front suspension and axle



## Checking Neutral Position on Steering Wheel

NHST0008

### PRE-CHECKING

NHST0008S01

- Make sure that wheel alignment is correct.

### Wheel alignment:

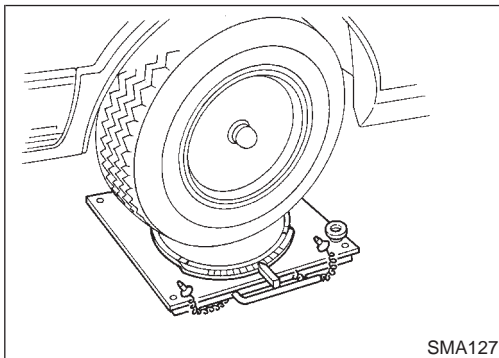
**Refer to SU-16, SDS.**

- Verify that the steering gear is centered before removing the steering wheel.

### CHECKING

NHST0008S02

1. Check that the steering wheel is in the neutral position when driving straight ahead.
2. If it is not in the neutral position, remove the steering wheel and reinstall it correctly.
3. If the neutral position is between two teeth, loosen tie-rod lock nuts. Turn the tie-rods by the same amount in opposite directions on both left and right sides.



## Front Wheel Turning Angle

NHST0009

1. Rotate steering wheel all the way right and left; measure turning angle.

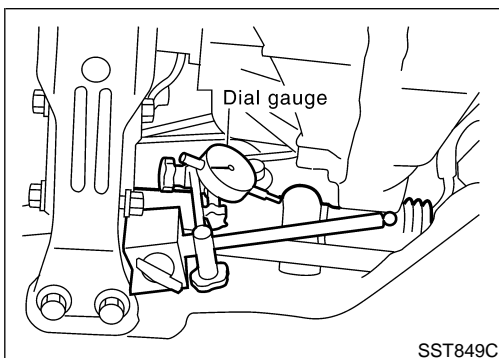
### Turning angle of full turns:

**Refer to SU-16, SDS.**

2. If it is not within specification, check rack stroke.

### Rack stroke "S":

**Refer to SDS, ST-30.**



## Checking Gear Housing Movement

NHST0010

1. Check the movement of steering gear housing during stationary steering on a dry paved surface.

- Apply a force of 49 N (5 kg, 11 lb) to steering wheel to check the gear housing movement.

Turn off ignition key while checking.

### Movement of gear housing:

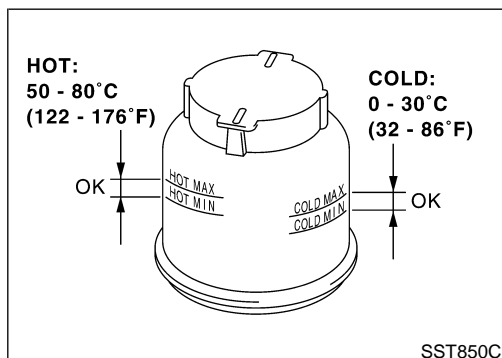
**±2 mm (±0.08 in) or less**

2. If movement exceeds the limit, replace mount insulator after confirming proper installation of gear housing clamps.

## Checking and Adjusting Drive Belts

Refer to MA-13, "Checking Drive Belts".

NHST0011



### Checking Fluid Level

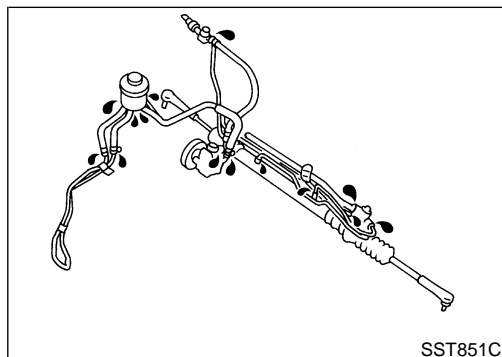
NHST0012

Check fluid level, referring to the scale on reservoir tank. Use "HOT" range for fluid temperatures of 50 to 80°C (122 to 176°F).

Use "COLD" range for fluid temperatures of 0 to 30°C (32 to 86°F).

#### CAUTION:

- Do not overfill.
- Recommended fluid is Genuine Nissan PSF II or equivalent. Refer to MA-11, "Fluids and Lubricants".



### Checking Fluid Leakage

NHST0013

Check the lines for improper attachment and for leaks, cracks, damage, loose connections, chafing and deterioration.

1. Run engine between idle speed and 1,000 rpm.

**Make sure temperature of fluid in oil tank rises to 60 to 80°C (140 to 176°F).**

2. Turn steering wheel right-to-left several times.
3. Hold steering wheel at each "lock" position for five seconds and carefully check for fluid leakage.

#### CAUTION:

**Do not hold the steering wheel in a locked position for more than 15 seconds.**

4. If fluid leakage at connectors is noticed, loosen flare nut and then retighten.

**Do not overtighten connector as this can damage O-ring, washer and connector.**

5. If fluid leakage from power steering pump is noticed, check power steering pump. Refer to ST-25.
6. Check rack boots for accumulation of power steering fluid.

### Bleeding Hydraulic System

NHST0014

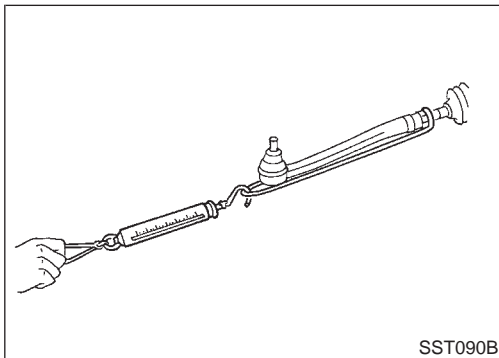
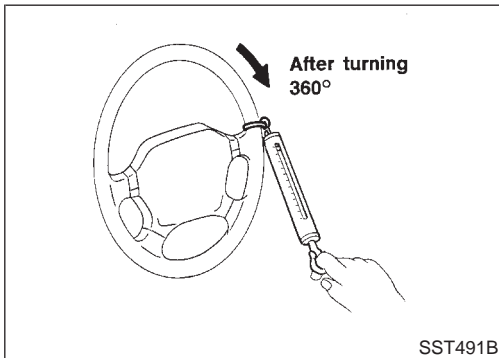
1. Raise front end of vehicle until wheels are clear of the ground.
  2. Add fluid into oil tank to specified level. Then quickly turn steering wheel fully to right and left and lightly touch steering stoppers.  
Repeat steering wheel operation until fluid level no longer decreases.
  3. Start engine.  
Repeat step 2. above.
- Incomplete air bleeding will cause the following to occur. When this happens, bleed air again.

## ON-VEHICLE SERVICE

### Bleeding Hydraulic System (Cont'd)

- a) Air bubbles in reservoir tank
- b) Clicking noise in oil pump
- c) Excessive buzzing in oil pump

Fluid noise may occur in the valve or oil pump. This is common when the vehicle is stationary or while turning the steering wheel slowly. This does not affect the performance or durability of the system.



### Checking Steering Wheel Turning Force

NHST0015

1. Park vehicle on a level, dry surface and set parking brake.
2. Start engine.
3. Bring power steering fluid up to adequate operating temperature. [Make sure temperature of fluid is approximately 60 to 80°C (140 to 176°F).]

#### Tires need to be inflated to normal pressure.

4. Check steering wheel turning force when steering wheel has been turned 360° from the neutral position.

#### Steering wheel turning force:

**39 N (4 kg, 9 lb) or less**

5. If steering wheel turning force is out of specification, check rack sliding force.
  - a. Disconnect steering column lower joint and knuckle arms from the gear.
  - b. Start and run engine at idle to make sure steering fluid has reached normal operating temperature.
  - c. Pull tie-rod slowly to move it from neutral position to  $\pm 11.5$  mm ( $\pm 0.453$  in) at speed of 3.5 mm (0.138 in)/s. Check that rack sliding force is within specification.

#### Average rack sliding force:

**216 - 284 N (22 - 29 kg, 49 - 64 lb)**

#### Maximum force deviation:

**98 N (10 kg, 22 lb)**

- d. Check sliding force outside the above range at rack speed of 40 mm (1.75 in)/s.

#### Rack sliding force:

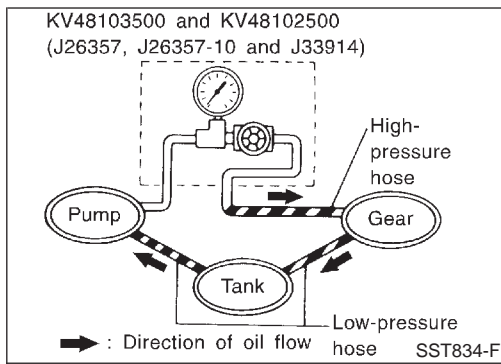
**Not more than 294 N (30 kg, 66 lb)**

#### Maximum force deviation:

**147 N (15 kg, 33 lb)**

6. If rack sliding force is not within specification, overhaul steering gear assembly.
7. If rack sliding force is OK, inspect steering column. Refer to ST-13.





## Checking Hydraulic System

NHST0016

Before starting, check belt tension, driving pulley and tire pressure.

1. Set Tool. Open shut-off valve. Then bleed air. Refer to "Bleeding Hydraulic System", ST-7.
2. Run engine at idle speed or 1,000 rpm.

**Make sure temperature of fluid in tank rises to 60 to 80°C (140 to 176°F).**

### WARNING:

**Warm up engine with shut-off valve fully opened. If engine is started with shut-off valve closed, fluid pressure in oil pump increases to maximum. This will raise oil temperature abnormally.**

3. Check pressure with steering wheel fully turned to left and right positions with engine idling at 1,000 rpm.

### CAUTION:

**Do not hold the steering wheel in a locked position for more than 15 seconds.**

### Oil pump maximum standard pressure:

**8,140 - 8,728 kPa (83 - 89 kg/cm<sup>2</sup>, 1,180 - 1,266 psi)**

- If pressure reaches maximum operating pressure, system is OK.
- If pressure increases above maximum operating pressure, check power steering pump flow control valve. Refer to ST-25.
- 4. If power steering pressure is below the maximum operating pressure, slowly close shut-off valve and check pressure again.

### CAUTION:

**Do not close shut-off valve for more than 15 seconds.**

- If pressure increases to maximum operating pressure, gear is damaged. Refer to "Removal and Installation", ST-16.
  - If pressure remains below maximum operating pressure, pump is damaged. Refer to "Disassembly", ST-26.
5. After checking hydraulic system, remove Tool and add fluid as necessary. Then completely bleed air out of system. Refer to ST-7.

GI

MA

EM

LC

EC

FE

AT

AX

SU

BR

ST

RS

BT

HA

SC

EL

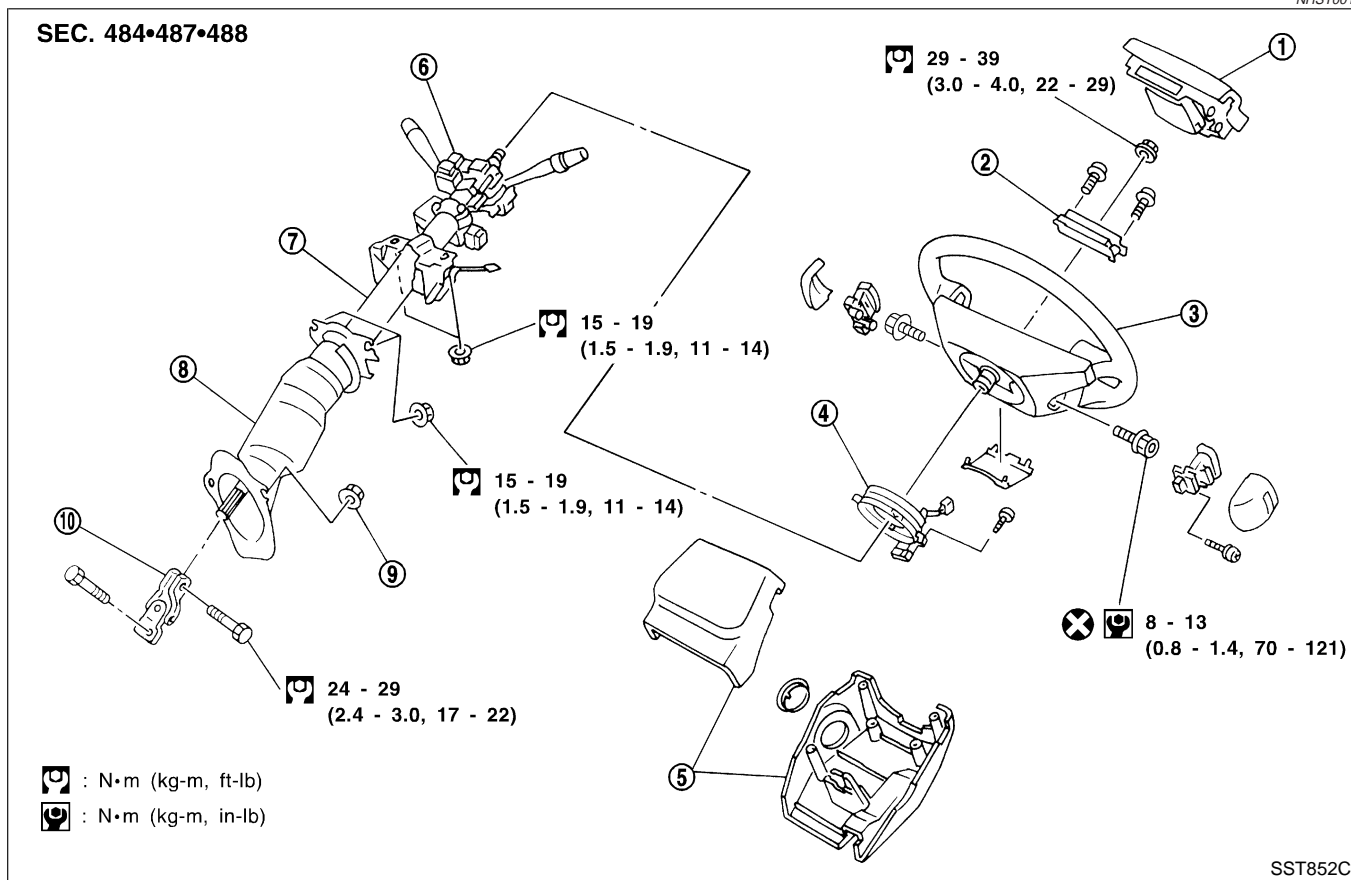
IDX

# STEERING WHEEL AND STEERING COLUMN

Components

## Components

NHST0017



- |                   |                             |                 |
|-------------------|-----------------------------|-----------------|
| 1. Air bag module | 5. Column cover             | 8. Boot         |
| 2. Damper         | 6. Combination switch       | 9. Clip         |
| 3. Steering wheel | 7. Steering column assembly | 10. Lower joint |
| 4. Spiral cable   |                             |                 |

### CAUTION:

- The rotation of the spiral cable (SRS “Air bag” component part) is limited. If the steering gear must be removed, set the front wheels in the straight-ahead direction. Do not rotate the steering column while the steering gear is removed.
- Remove the steering wheel before removing the steering lower joint to avoid damaging the SRS spiral cable.

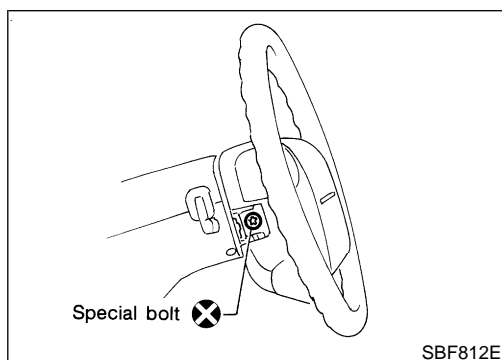
## Removal and Installation

### STEERING WHEEL

NHST0018

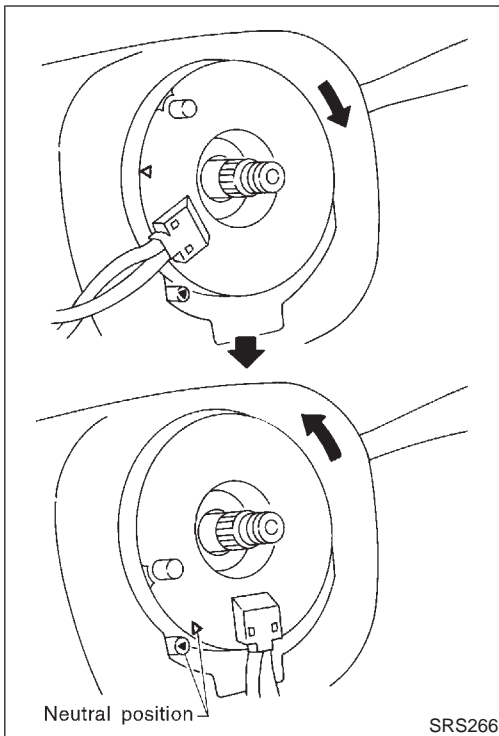
NHST0018S01

- Remove air bag module and spiral cable. Refer to RS-20, “Removal — Air Bag Module and Spiral Cable”.



# STEERING WHEEL AND STEERING COLUMN

Removal and Installation (Cont'd)

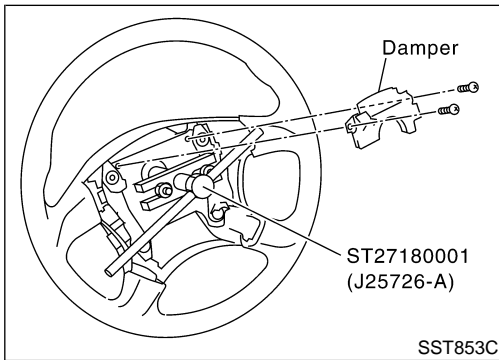


- Align spiral cable correctly when installing steering wheel.
- a) Set the front wheels in the straight-ahead position.
- b) Make sure that the spiral cable is in the neutral position. The neutral position is detected by turning left 2.5 revolutions from the right end position. Align the two marks (X).

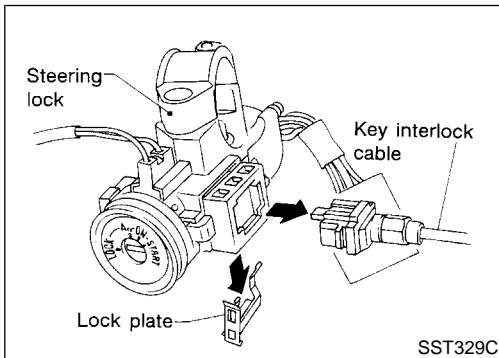
## CAUTION:

The spiral cable may snap due to steering operation if the cable is installed in an improper position.

Also, with the steering linkage disconnected, the cable may snap by turning the steering wheel beyond the limited number of turns. (The spiral cable can be turned up to 2.5 turns from the neutral position to both the right and left.)



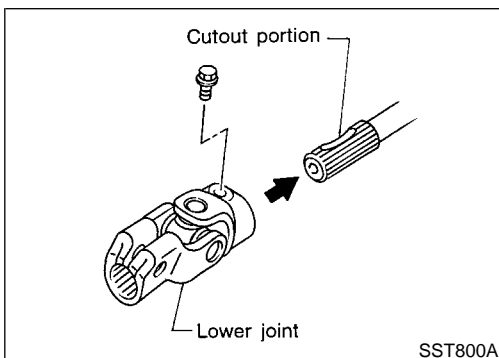
- Remove damper for steering wheel.
- Remove steering wheel with Tool.



## STEERING COLUMN

- Remove key interlock cable.

NHST0018S02



- When installing steering column, fingertighten all lower bracket and clamp retaining bolts; then tighten them securely. Do not apply undue stress to steering column.
- When attaching coupling joint, be sure tightening bolt faces cutout portion.

GI

MA

EM

LC

EC

FE

AT

AX

SU

BR

ST

RS

BT

HA

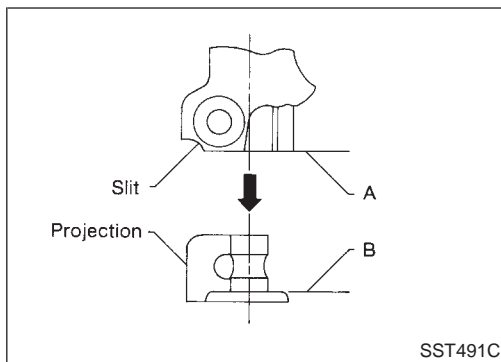
SC

EL

IDX

## STEERING WHEEL AND STEERING COLUMN

Removal and Installation (Cont'd)



- Align slit of lower joint with projection on dust cover. Insert joint until surface A contacts surface B.

**CAUTION:**

After installation, turn steering wheel to make sure it moves smoothly. Ensure the number of turns are the same from the straight forward position to left and right locks. Be sure that the steering wheel is in a neutral position when driving straight ahead.

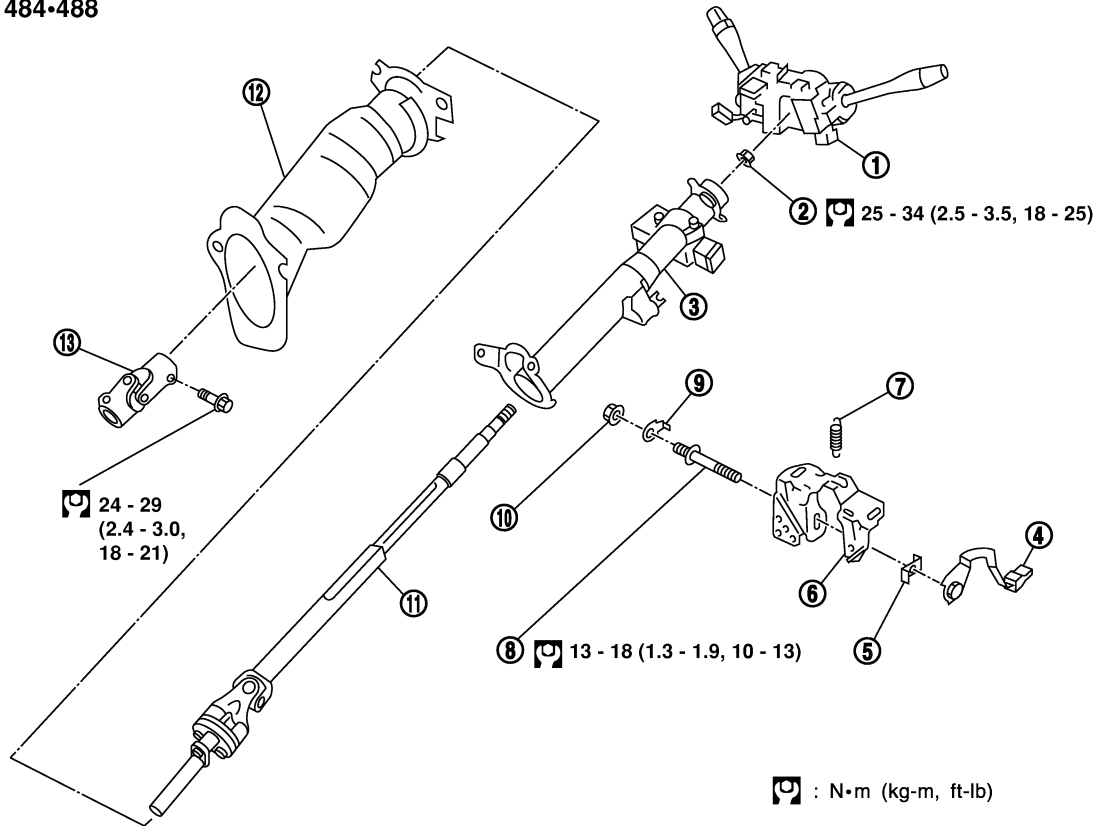
# STEERING WHEEL AND STEERING COLUMN

Disassembly and Assembly

## Disassembly and Assembly

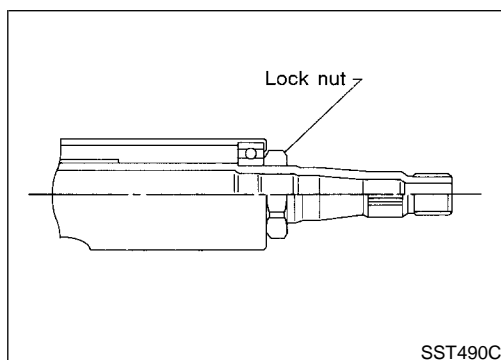
=NHST0019

SEC. 484•488



SST854CA

- |                         |                                     |                                 |
|-------------------------|-------------------------------------|---------------------------------|
| 1. Combination switch   | 6. Steering column mounting bracket | 10. Nut                         |
| 2. Lock nut             | 7. Spring                           | 11. Column shaft assembly       |
| 3. Jacket tube assembly | 8. Adjust bolt                      | 12. Steering column lower cover |
| 4. Tilt lever           | 9. Adjust bolt stopper              | 13. Lower joint                 |
| 5. Tilt lever stopper   |                                     |                                 |



SST490C

- When disassembling and assembling, unlock steering lock with key.
- Remove combination switch.
- Install lock nut on steering column shaft and tighten the nut.

GI  
MA  
EM  
LC  
EC  
FE  
AT  
AX  
SU  
BR

ST

RS

BT

HA

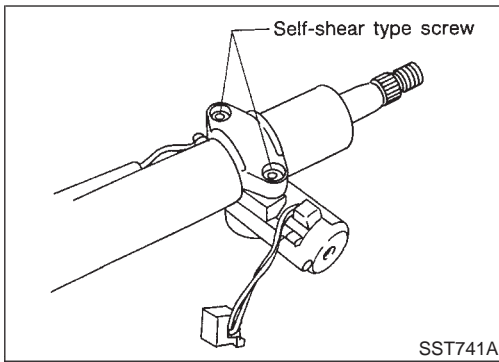
SC

EL

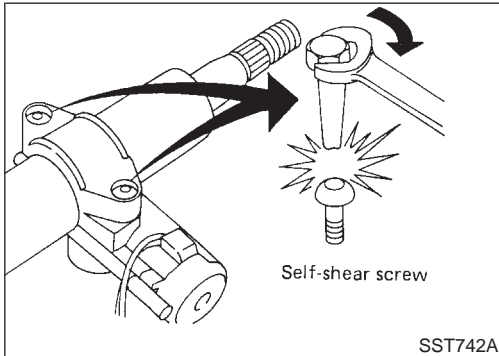
IDX

# STEERING WHEEL AND STEERING COLUMN

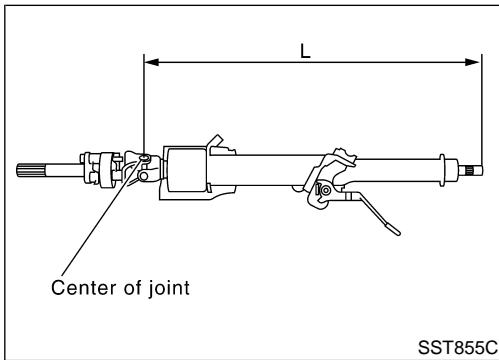
Disassembly and Assembly (Cont'd)



- Steering lock
- a) Break self-shear type screws with a drill or other appropriate tool.



- b) Install new self-shear type screws and then cut off self-shear type screw heads.

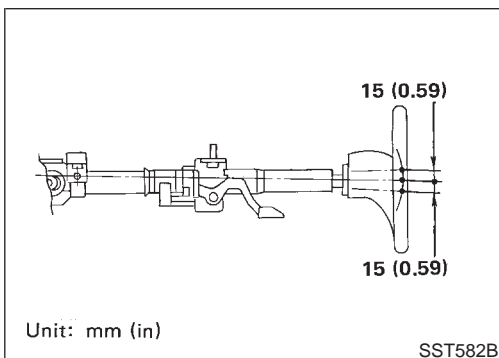


## Inspection

- When steering wheel does not turn smoothly, check the steering column as follows and replace damaged parts.
- a) Check column bearings for damage or unevenness. Lubricate with recommended multi-purpose grease or replace steering column as an assembly, if necessary.
- b) Check jacket tube for deformation or breakage. Replace if necessary.
- When the vehicle comes into a light collision, check length "L".

**Steering column length "L":**  
**542 - 544 mm (21.34 - 21.42 in)**

If out of the specifications, replace steering column as an assembly.



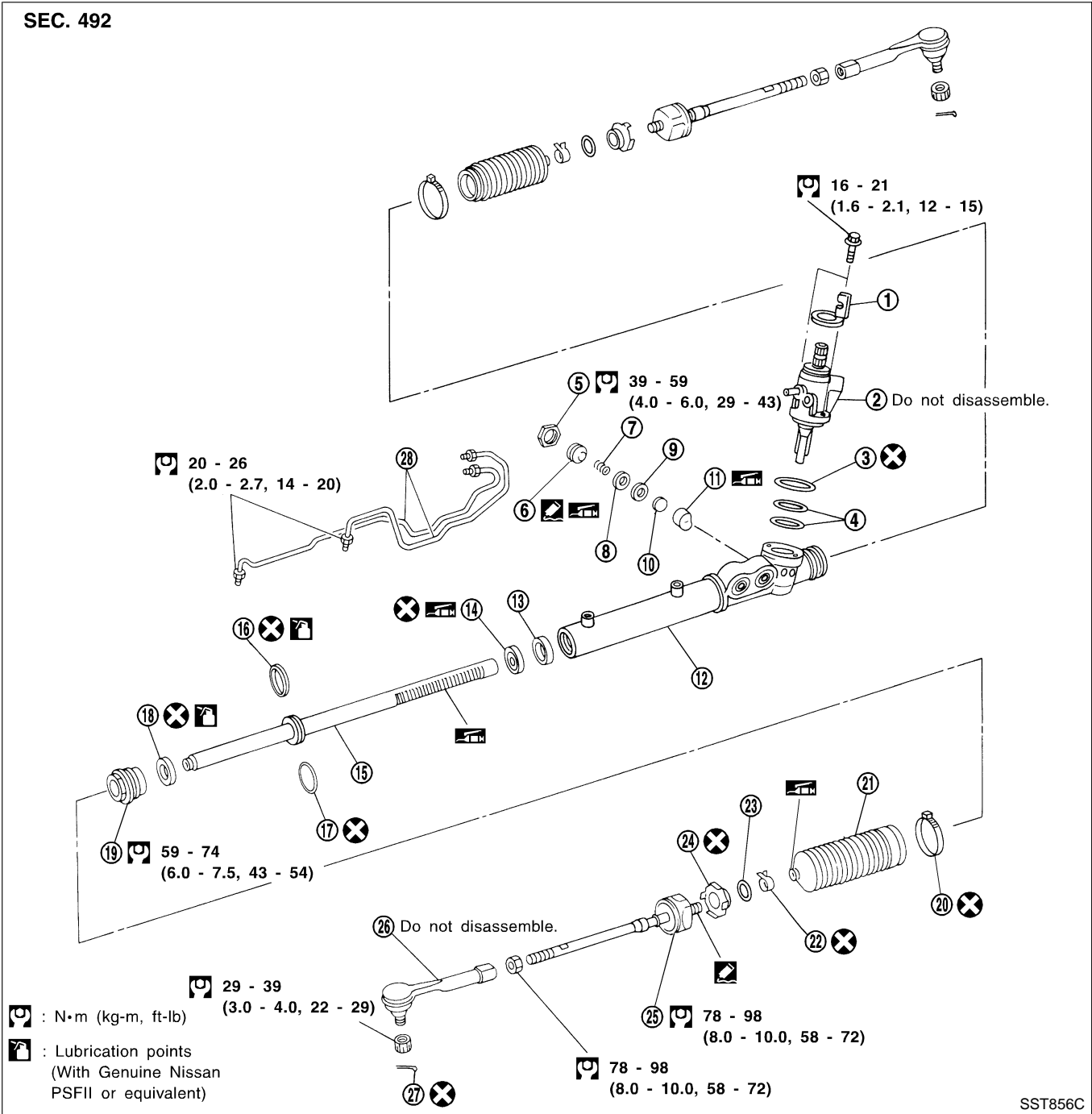
## TILT MECHANISM

- After installing steering column, check tilt mechanism operation.

## Components

NHST0021

SEC. 492



SST856C

- |                      |                        |                          |
|----------------------|------------------------|--------------------------|
| 1. Rear cover cap    | 11. Retainer           | 20. Boot band            |
| 2. Gear sub-assembly | 12. Gear housing       | 21. Dust boot            |
| 3. O-ring            | 13. Center bushing     | 22. Boot band            |
| 4. Shim              | 14. Rack oil seal      | 23. Spacer ring          |
| 5. Lock nut          | 15. Rack assembly      | 24. Lock plate           |
| 6. Adjusting screw   | 16. Rack seal ring     | 25. Tie-rod inner socket |
| 7. Spring            | 17. O-ring             | 26. Tie-rod outer socket |
| 8. Diaphragm spring  | 18. Rack oil seal      | 27. Cotter pin           |
| 9. Washer            | 19. End cover assembly | 28. Gear housing tube    |
| 10. Spring seat      |                        |                          |

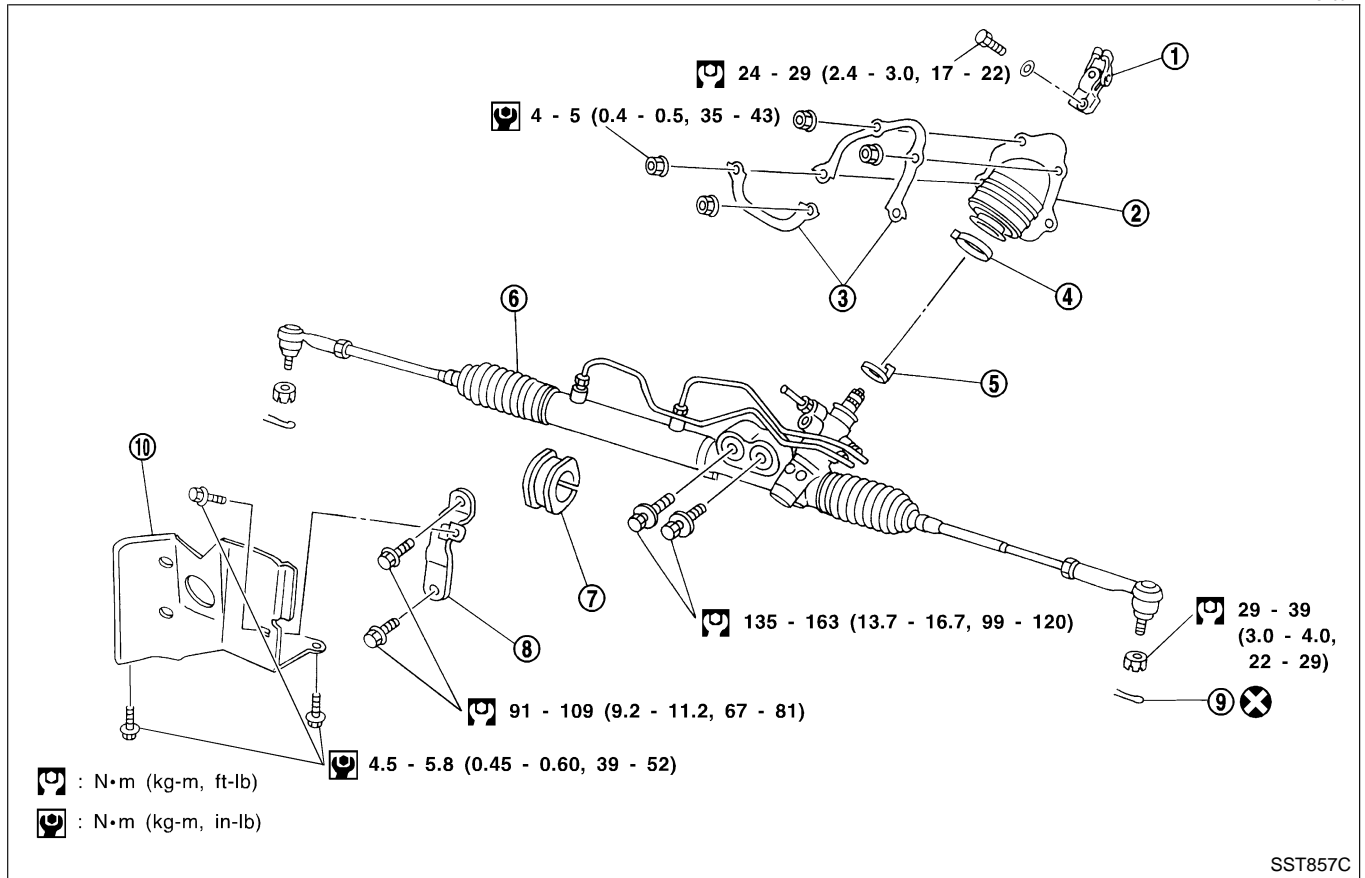
GI  
MA  
EM  
LC  
EC  
FE  
AT  
AX  
SU  
BR  
ST  
RS  
BT  
HA  
SC  
EL  
IDX

# POWER STEERING GEAR AND LINKAGE

Removal and Installation

## Removal and Installation

NHST0022

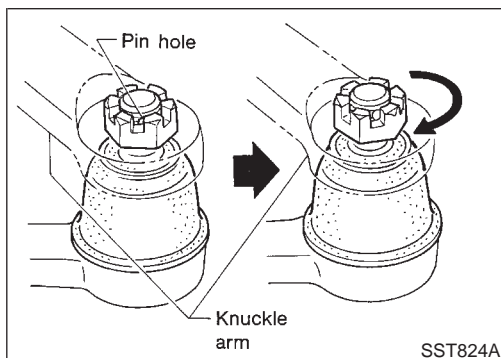
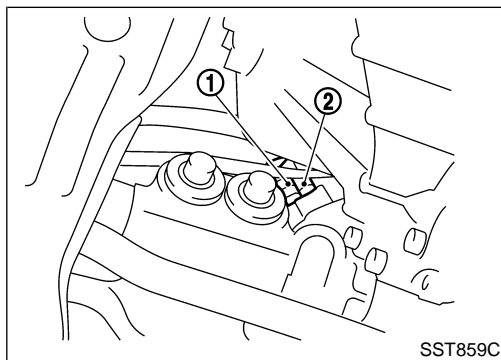
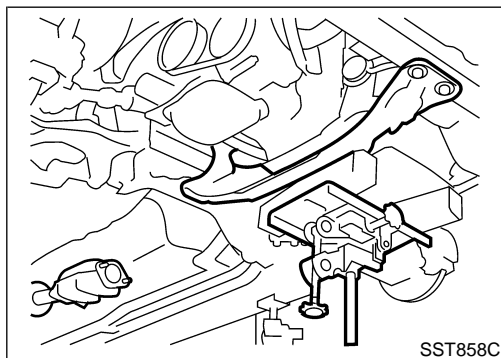
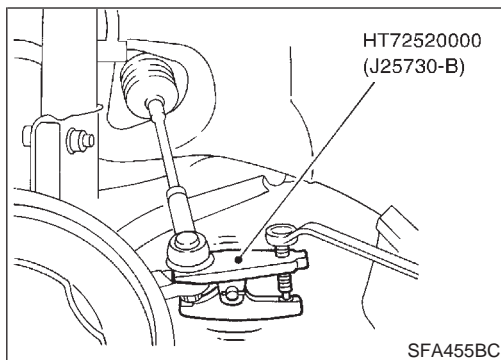


- |                      |                              |                                  |
|----------------------|------------------------------|----------------------------------|
| 1. Lower joint       | 5. Rear cover cap            | 8. Gear housing mounting bracket |
| 2. Hole cover        | 6. Gear and linkage assembly | 9. Cotter pin                    |
| 3. Insulator bracket | 7. Rack mounting insulator   | 10. Heat insulator               |
| 4. Clamp             |                              |                                  |



# POWER STEERING GEAR AND LINKAGE

Removal and Installation (Cont'd)



## CAUTION:

- The rotation of the spiral cable (SRS “Air bag” component part) is limited. If the steering gear must be removed, set the front wheels in the straight-ahead direction. Do not rotate the steering column while the steering gear is removed.

- Remove the steering wheel before removing the steering lower joint to avoid damaging the SRS spiral cable.

- Detach tie-rod outer sockets from knuckle arms with Tool.

1. Remove front exhaust tube. Refer to FE-11, “Removal and Installation”.

2. Set a suitable transmission jack under transaxle.

3. Remove center member and rear engine mounting. Refer to EM-57, “Removal”.

4. Remove front stabilizer bar. Refer to SU-12, “Removal and Installation”.

5. Remove steering gear assembly.

- Install pipe connector.

- Observe specified tightening torque when tightening high-pressure and low-pressure pipe connectors. Excessive tightening will damage threads of connector or O-ring.

## Connector tightening torque:

### 1 Low-pressure side

27 - 39 N·m (2.8 - 4.0 kg·m, 20 - 29 ft·lb)

### 2 High-pressure side

15 - 25 N·m (1.5 - 2.5 kg·m, 11 - 18 ft·lb)

- The O-ring in low-pressure pipe connector is larger than that in high-pressure connector. Take care to install the proper O-ring.

- Initially, tighten nut on tie-rod outer socket and knuckle arm to 29 to 39 N·m (3 to 4 kg·m, 22 to 29 ft·lb). Then tighten further to align nut groove with first pin hole so that cotter pin can be installed.

## CAUTION:

Tightening torque must not exceed 49 N·m (5 kg·m, 36 ft·lb).

GI

MA

EM

LC

EC

FE

AT

AX

SU

BR

ST

RS

BT

HA

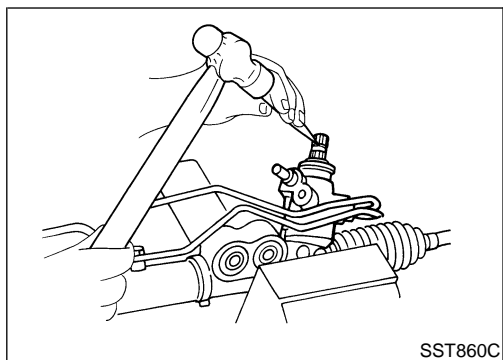
SC

EL

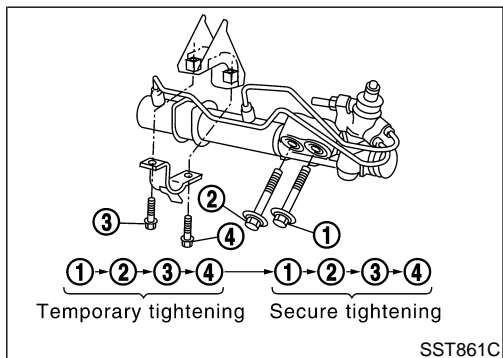
IDX

# POWER STEERING GEAR AND LINKAGE

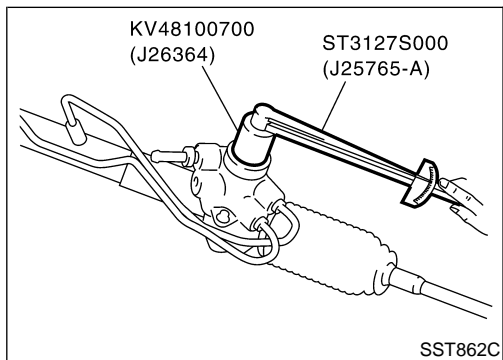
## Removal and Installation (Cont'd)



- Before removing lower joint from gear, set gear in neutral (wheels in straight-ahead position). After removing lower joint, put matching mark on pinion shaft and pinion housing to record neutral position.
- To install, set left and right dust boots to equal deflection. Attach lower joint by aligning matching marks of pinion shaft and pinion housing.



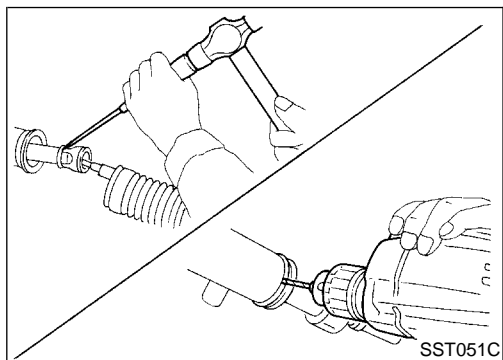
- Tighten gear housing mounting bracket bolts in the order shown.



## Disassembly

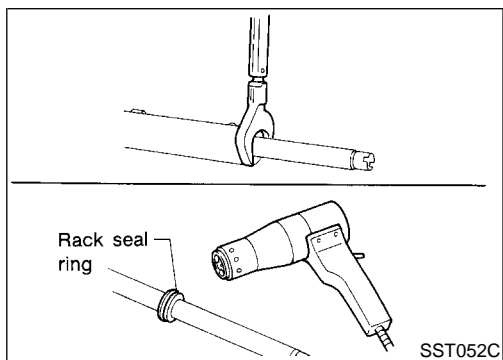
1. Prior to disassembling, measure pinion rotating torque. Record the pinion rotating torque as a reference.
  - **Before measuring, disconnect gear housing tube and drain fluid.**
  - **Use soft jaws when holding steering gear housing. Handle gear housing carefully, as it is made of aluminum. Do not grip cylinder in a vise.**
2. Remove gear sub-assembly, O-ring and shim.
 

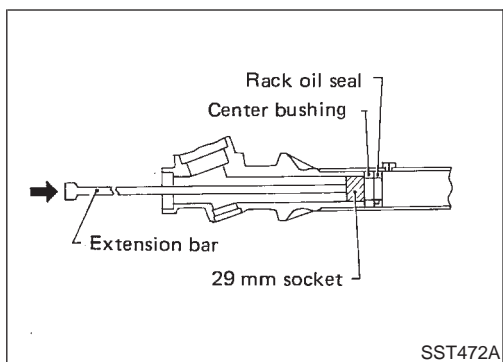
**Gear sub-assembly cannot be disassembled. If it is faulty, replace with a new one.**
3. Remove tie-rod outer sockets and boots.
4. Loosen tie-rod inner socket by prying up staked portion, and remove socket and spacer.
5. Remove retainer.
6. Use a 2 to 2.5 mm (0.079 to 0.098 in) diameter drill to completely remove staked portion of gear housing end.



7. Remove end cover assembly with a suitable tool.
8. Draw out rack assembly.
9. Remove rack seal ring.
  - Using a heat gun, heat rack seal to approximately 40°C (104°F).
  - Remove rack seal ring.

**Be careful not to damage rack.**





10. Remove center bushing and rack oil seal using tape wrapped socket and extension bar.

**Do not scratch inner surfaces of pinion housing.**

## Inspection

Thoroughly clean all parts in cleaning solvent or Genuine NISSAN PSF II or equivalent. Blow dry with compressed air, if available.

### BOOT

- Check condition of boot. If cracked excessively, replace it.
- Check boots for accumulation of power steering fluid.

### RACK

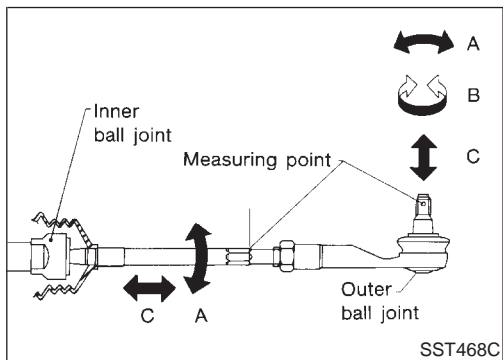
Thoroughly examine rack gear. If damaged, cracked or worn, replace it.

### GEAR SUB-ASSEMBLY

- Check pinion gear. If it is worn or damaged, replace as a gear sub-assembly.
- Manually spin bearing. If torque variations or free play are noted, replace as a gear sub-assembly.

### GEAR HOUSING CYLINDER

Check gear housing cylinder bore for scratches or other damage. Replace if necessary.



### TIE-ROD OUTER AND INNER SOCKETS

- Check ball joints for swinging force.  
**Tie-rod outer and inner ball joints swinging force "A": Refer to SDS, ST-30.**
- Check ball joint for rotating torque.  
**Tie-rod outer ball joint rotating torque "B": Refer to SDS, ST-30.**
- Check ball joints for axial end play.  
**Tie-rod outer and inner ball joints axial end play "C": Refer to SDS, ST-30.**
- Check condition of dust cover. If cracked excessively, replace outer tie-rod.

GI

MA

EM

LC

EC

NHST0024

FE

NHST0024S02

AT

AX

SU

BR

ST

RS

BT

HA

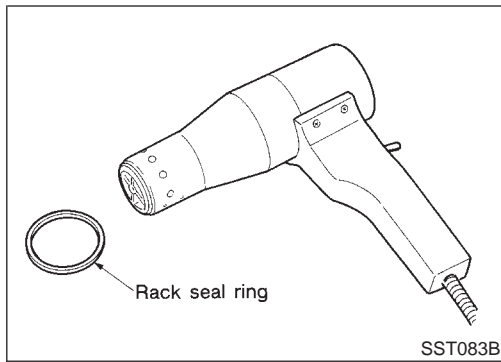
SC

EL

IDX

# POWER STEERING GEAR AND LINKAGE

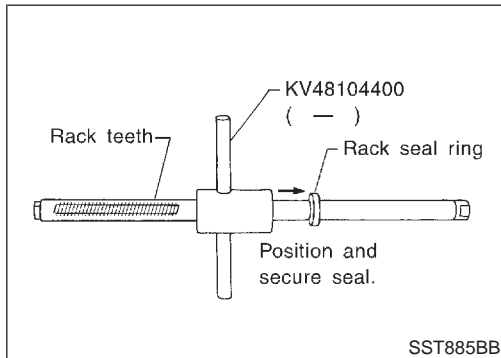
## Assembly



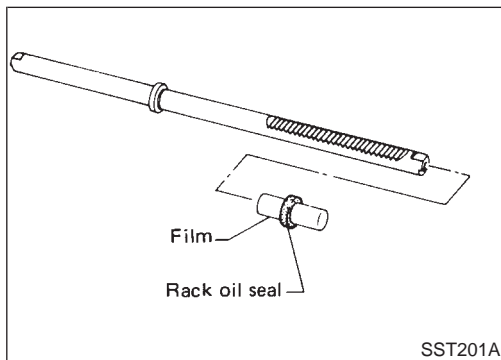
## Assembly

NHST0025

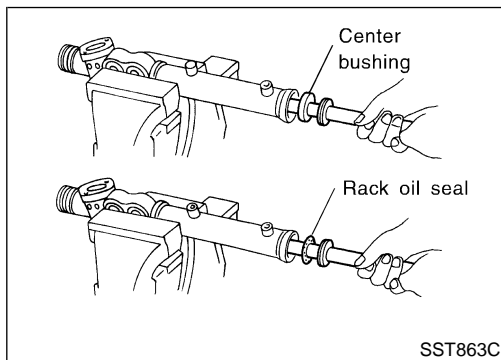
1. Using a heat gun, heat new teflon rack seal ring to approximately 40°C (104°F). Then place it onto rack.



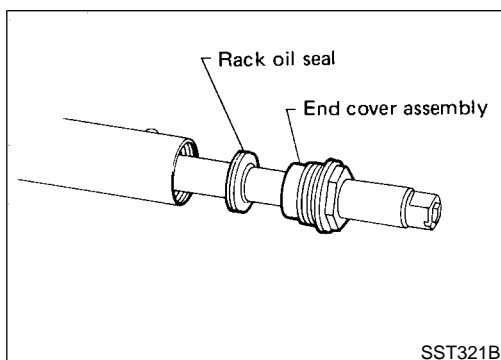
2. Using Tool, compress rack seal ring securely onto rack. **Always insert Tool from the rack gear side.**



3. Insert new rack oil seal.
  - Place plastic film into rack oil seal to prevent damage by rack teeth.
  - Do not forget to remove plastic film after rack oil seal is positioned properly.
  - Make sure lips of rack oil seal face each other.



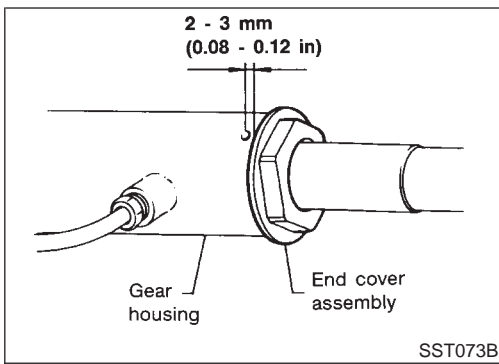
4. Install center bushing and rack oil seal with rack assembly.



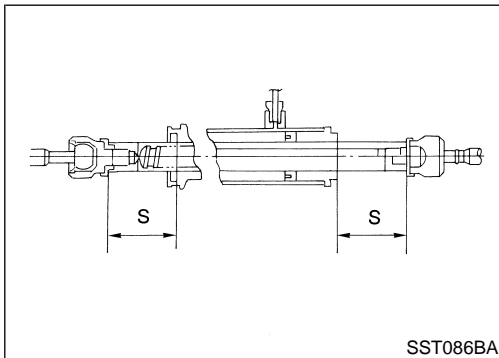
5. Insert rack oil seal and end cover assembly to rack. Then tighten end cover assembly.

# POWER STEERING GEAR AND LINKAGE

Assembly (Cont'd)

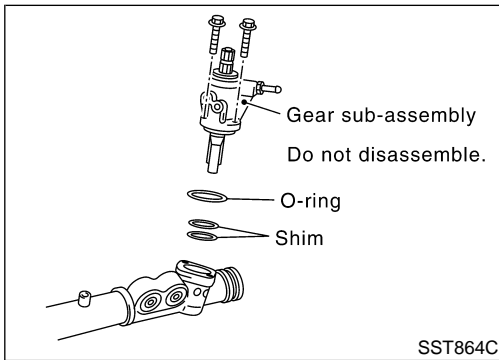


6. Fasten end cover assembly to gear housing by staking.

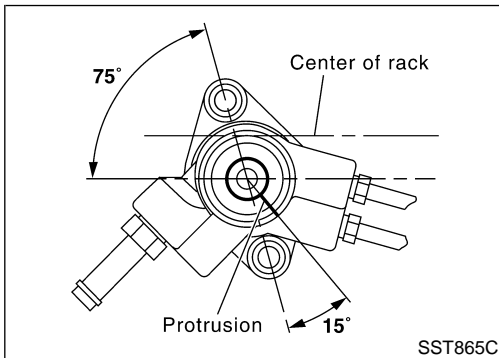


7. Set rack gear in neutral position.

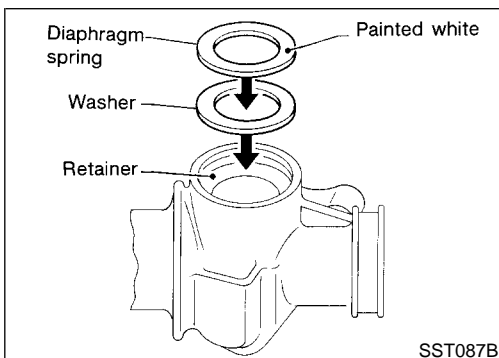
**Rack stroke "S":**  
**Refer to SDS, ST-30.**



8. Install adjustment shims and O-rings to gear sub-assembly.
- Install the same number of adjustment shims as before, regardless of whether or not gear sub-assembly is replaced.
  - Discard old O-rings; replace with new ones.
9. Tighten gear subassembly securing bolts to specified tightening torque.



10. Ensure that the rack is centered. Install rear cover cap so that its protrusion is positioned as shown in figure.



11. Install diaphragm spring into gear housing.
- Always install retainer, spring washer and diaphragm spring in that order.
  - Make sure convex end (painted white) of diaphragm spring faces outward when installing.
12. Install spring seat retainer spring and adjusting screw temporarily.

GI

MA

EM

LC

EC

FE

AT

AX

SU

BR

ST

RS

BT

HA

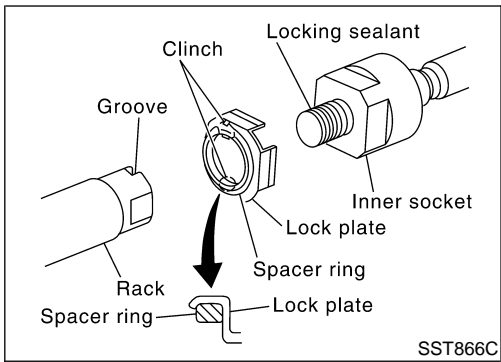
SC

EL

IDX

# POWER STEERING GEAR AND LINKAGE

Assembly (Cont'd)



13. Install lock plate to rack.

a. Temporarily install spacer ring to rack.

**Discard old spacer ring; replace with a new one.**

b. Install lock plate to inner socket.

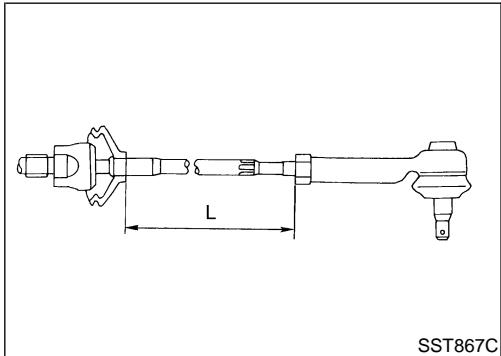
**Discard old lock plate; replace with a new one.**

c. Apply a coat of locking sealant to inner socket threads. Screw inner socket into rack and tighten to specified torque.

d. Clinch lock plate at rack groove location (at two points).

e. Install spacer ring to lock plate as shown in the Figure at left.

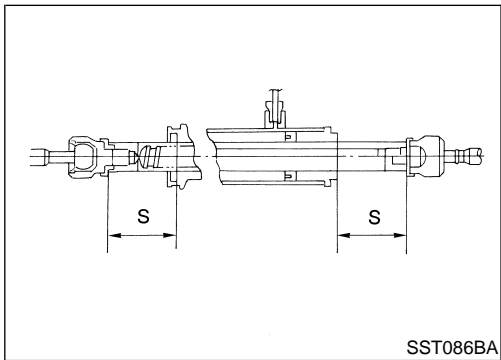
**Be careful not to damage spacer ring during installation**



14. Tighten outer socket lock nut.

**Tie-rod length "L":**

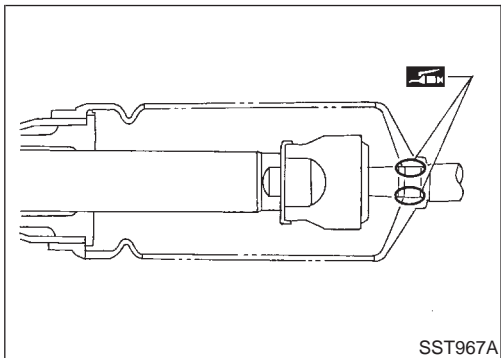
**Refer to SDS, ST-30.**



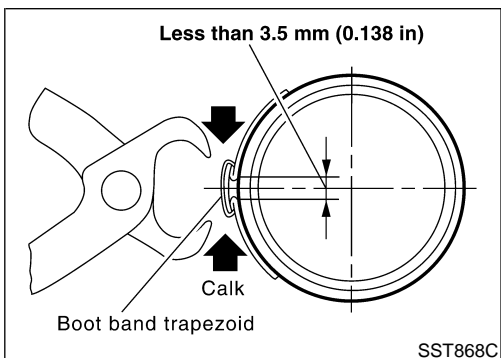
15. Measure rack stroke.

**Rack stroke "S":**

**Refer to SDS, ST-30.**



16. Before installing boot, coat the contact surfaces between boot and tie-rod with grease.



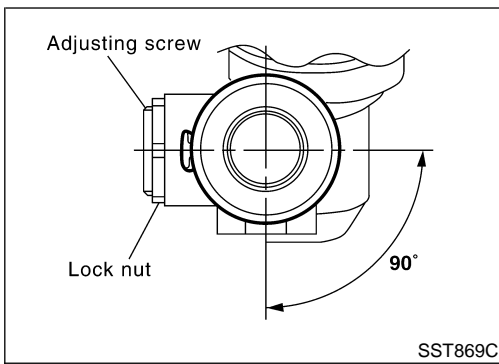
17. Install boot bands.

- Securely install boot band to boot groove and clinch the root section of the trapezoidal area.

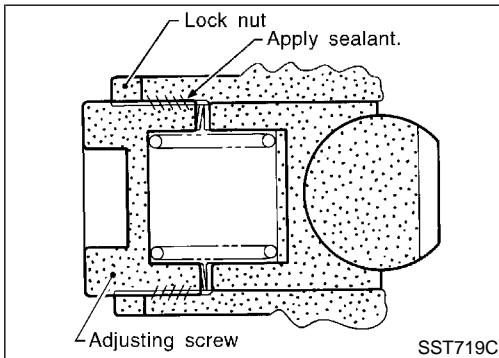
- Make sure that there is a clearance of 3.5 mm (0.138 in) or less at the clinched section of the boot band. Refer to the Figure at left.

# POWER STEERING GEAR AND LINKAGE

Assembly (Cont'd)



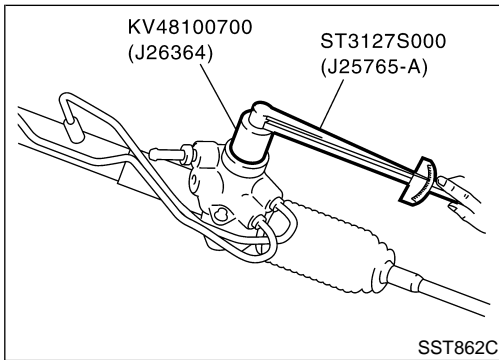
- After installing gear in vehicle, make sure that the clinched section of boot band is positioned toward the rear of vehicle (to prevent interference with adjacent parts).



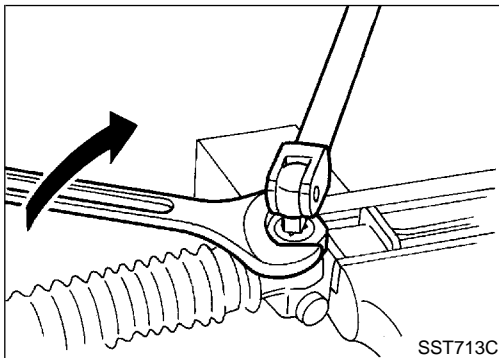
## Adjustment

NHST0026

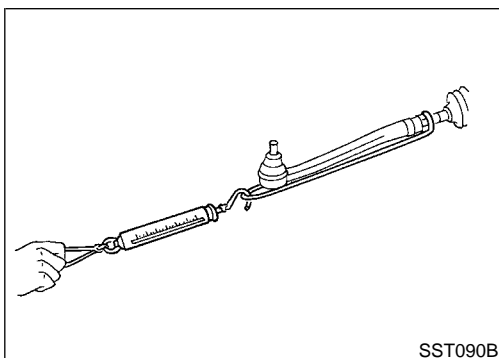
Adjust pinion rotating torque as follows:



- Set rack to the neutral position without fluid in the gear.
- Coat the adjusting screw with locking sealant and screw it in.
- Lightly tighten lock nut.
- Tighten adjusting screw to a torque of 4.9 to 5.9 N·m (50 to 60 kg-cm, 43 to 52 in-lb).
- Loosen adjusting screw, then retighten it to 0.2 N·m (2 kg-cm, 1.7 in-lb).
- Move rack over its entire stroke several times.
- Measure pinion rotating torque within the range of 180° from neutral position.  
Stop the gear at the point of maximum torque.
- Loosen adjusting screw, then retighten it to 4.9 N·m (50 kg-cm, 43 in-lb).
- Loosen adjusting screw by 60° to 80°.



- Prevent adjusting screw from turning, and tighten lock nut to specified torque.



- Check rack sliding force on vehicle as follows:
  - Install steering gear onto vehicle, but do not connect tie-rod to knuckle arm.
  - Connect all piping and fill with steering fluid.
  - Start engine and bleed air completely.
  - Disconnect steering column lower joint from the gear.
  - Keep engine at idle and make sure steering fluid has reached normal operating temperature.
  - Pull tie-rod slowly to move it from neutral position to  $\pm 11.5$  mm ( $\pm 0.453$  in) at speed of 3.5 mm (0.138 in)/s. Check that rack sliding force is within specification.

GI

MA

EM

LC

EC

FE

AT

AX

SU

BR

ST

RS

BT

HA

SC

EL

IDX

## POWER STEERING GEAR AND LINKAGE

Adjustment (Cont'd)

---

**Average rack sliding force:**

**216 - 284 N (22 - 29 kg, 49 - 64 lb)**

**Maximum force deviation:**

**98 N (10 kg, 22 lb)**

- g. Check sliding force outside above range at rack speed of 40 mm (1.57 in)/s.

**Maximum rack sliding force:**

**294 N (30 kg, 66 lb)**

**Maximum force deviation:**

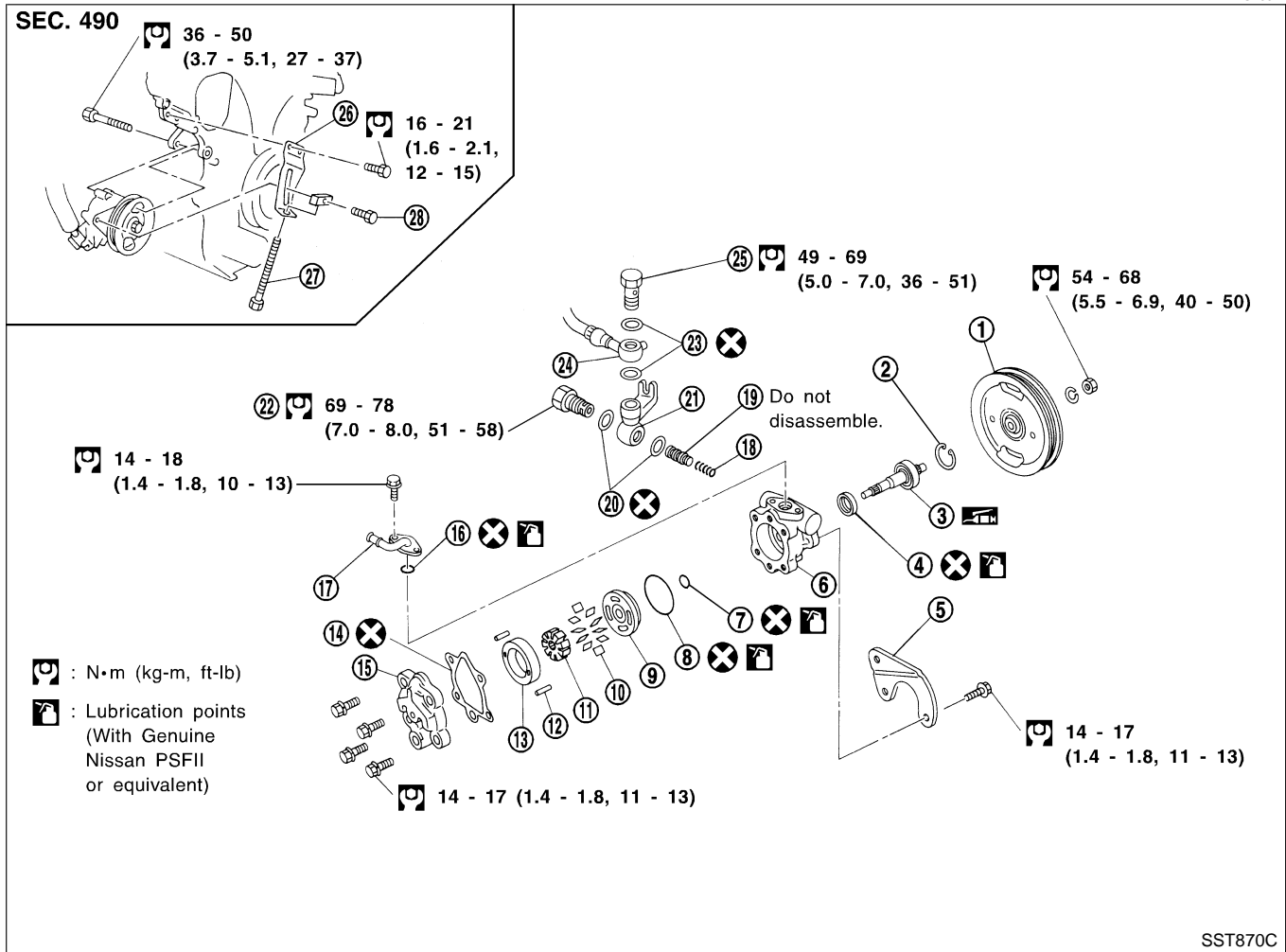
**147 N (15 kg, 33 lb)**

- If rack sliding force is not within specification, readjust by repeating adjustment procedure from the beginning.
- If rack sliding force is still out of specification after readjustment, gear assembly needs to be replaced.

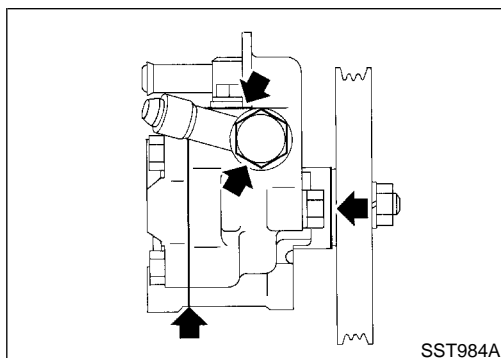


## Components

NHST0027



- |                     |                        |                       |
|---------------------|------------------------|-----------------------|
| 1. Pulley           | 11. Rotor              | 20. Washer            |
| 2. Snap ring        | 12. Pin                | 21. Joint             |
| 3. Drive shaft      | 13. Cam ring           | 22. Connector         |
| 4. Oil seal         | 14. Gasket             | 23. Washer            |
| 5. Bracket          | 15. Rear housing       | 24. Hose              |
| 6. Front housing    | 16. O-ring             | 25. Connector bolt    |
| 7. O-ring           | 17. Suction pipe       | 26. Adjusting bracket |
| 8. O-ring           | 18. Spring             | 27. Adjusting bolt    |
| 9. Front side plate | 19. Flow control valve | 28. Lock bolt         |
| 10. Vane            |                        |                       |



### Pre-disassembly Inspection

NHST0028

Disassemble the power steering oil pump only if the following items are found.

- Oil leak from any point shown in the figure
- Deformed or damaged pulley
- Poor performance

GI  
MA  
EM  
LC  
EC  
FE  
AT  
AX  
SU  
BR  
ST

RS  
BT  
HA  
SC  
EL  
IDX

# POWER STEERING OIL PUMP

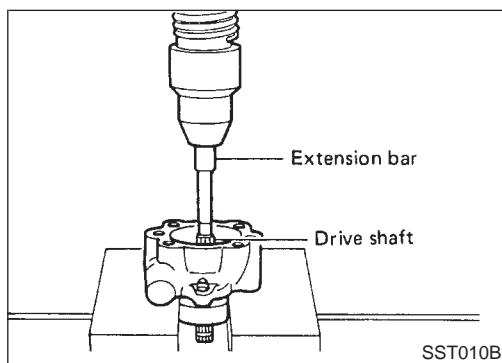
Disassembly

## Disassembly

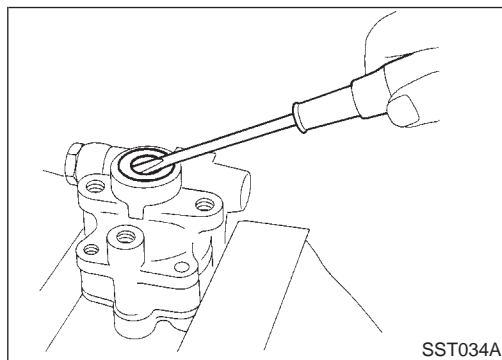
NHST0029

### CAUTION:

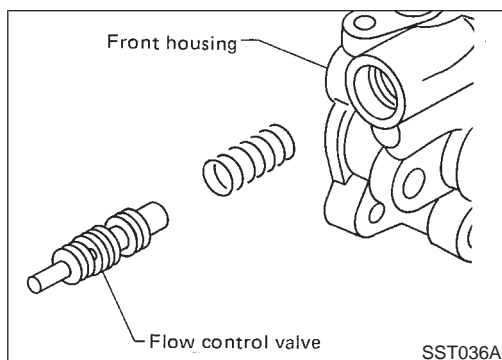
- Parts which can be disassembled are strictly limited. Never disassemble parts other than those specified.
- Disassemble in as clean a place as possible.
- Clean your hands before disassembly.
- Do not use rags; use nylon cloths or paper towels.
- Follow the procedures and cautions in the Service Manual.
- When disassembling and reassembling, do not let foreign matter enter or contact the parts.



- Remove snap ring, then draw drive shaft out.  
**Be careful not to drop drive shaft.**



- Remove oil seal.  
**Be careful not to damage front housing.**



- Remove connector and flow control valve with spring.  
**Be careful not to drop flow control valve.**  
**Do not disassemble flow control valve.**

## Inspection

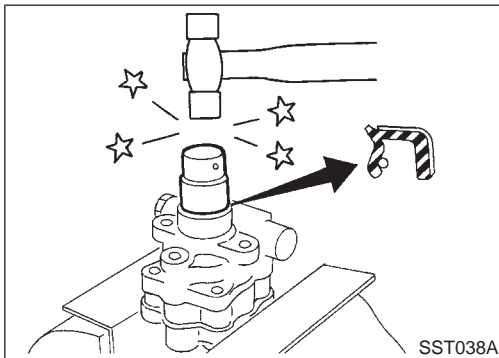
NHST0030

- If pulley is cracked or deformed, replace it.
- If an oil leak is found around pulley shaft oil seal, replace the seal.
- If serration on pulley or pulley shaft is deformed or worn, replace it.

GI

MA

EM



## Assembly

NHST0031

Assemble oil pump, noting the following instructions.

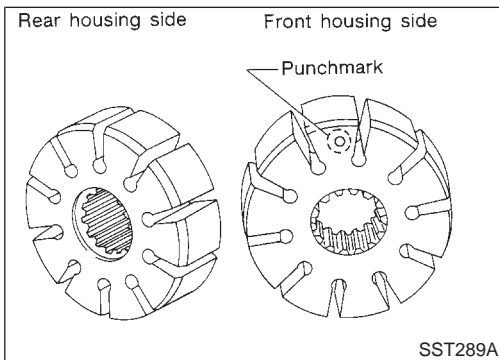
- Make sure O-rings and oil seal are properly installed.
- Always install new O-rings and oil seal.
- Be careful of oil seal direction.
- Cam ring, rotor and vanes must be replaced as a set if necessary.
- Coat each part with Genuine Nissan PSF II or equivalent when assembling.

LC

EC

FE

AT



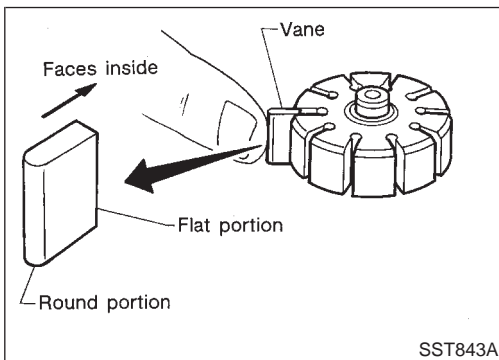
- Pay attention to the direction of rotor.

AX

SU

BR

ST



- When assembling vanes to rotor, rounded surfaces of vanes must face cam ring side.

RS

BT

HA

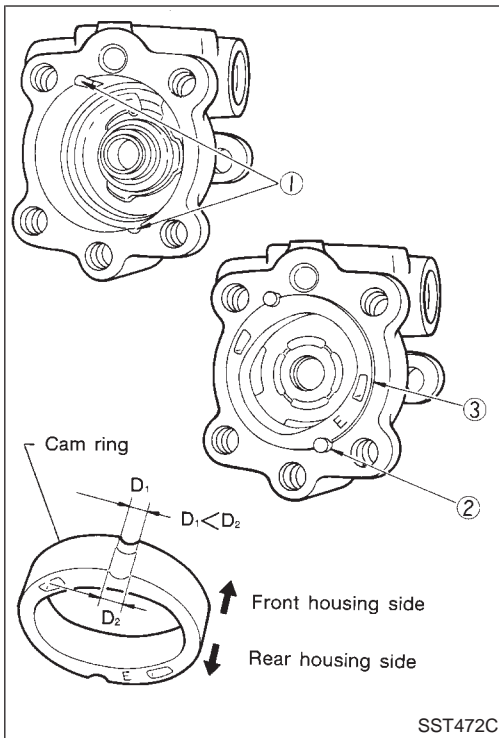
SC

EL

IDX

# POWER STEERING OIL PUMP

Assembly (Cont'd)



- Insert pin 2 into pin groove 1 of front housing and front side plate. Then install cam ring 3 as shown at left.

**Cam ring:**

**$D_1$  is less than  $D_2$ .**

# SERVICE DATA AND SPECIFICATIONS (SDS)

General Specifications

## General Specifications

NHST0032

Steering model	Power steering	
	15 or 16 inch tire	17 inch tire
Steering gear type	PR26AD	
Steering overall gear ratio	16.6	
Turns of steering wheel (Lock to lock)	2.9	2.6
Steering column type	Collapsible, tilt	

GI

MA

EM

## Steering Wheel

NHST0033

Steering wheel axial play mm (in)	0 (0)	
Steering wheel play mm (in)	35 (1.38) or less	
Movement of gear housing mm (in)	±2 (±0.08) or less	

LC

EC

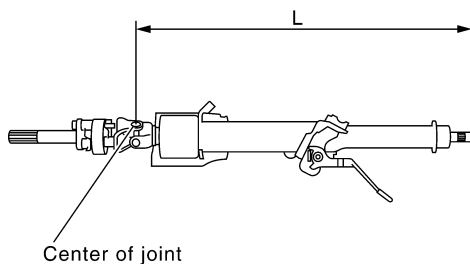
## Steering Column

NHST0034

Applied model	All	
Steering column length "L" mm (in)	542 - 544 (21.34 - 21.42)	

FE

AT



AX

SU

BR

ST

SST855C

RS

BT

HA

SC

EL

IDX

# SERVICE DATA AND SPECIFICATIONS (SDS)

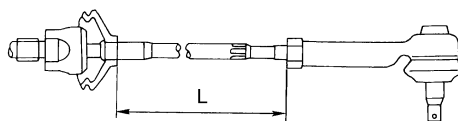
## Steering Gear and Linkage

### Steering Gear and Linkage

NHST0035

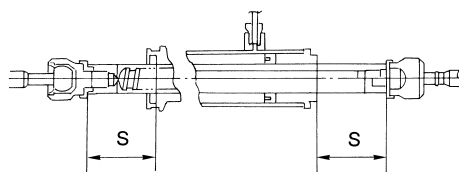
Applied model	All	
Steering gear type	PR26AD	
Tie-rod outer ball joint	Swinging force at cotter pin hole: "A" N (kg, lb)	6.5 - 65.7 (0.66 - 6.59, 1.5 - 14.8)
	Rotating torque: "B" N·m (kg·cm, in·lb)	0.29 - 2.94 (3.0 - 30.0, 2.6 - 26.0)
	Axial end play: "C" mm (in)	0.4 (0.016) or less
Tie-rod inner ball joint	Swinging force*: "A" N (kg, lb)	5.7 - 45.6 (0.58 - 4.65, 1.3 - 10.3)
	Axial end play: "C" mm (in)	0.2 (0.008) or less
Tie-rod standard length "L" mm (in)	193.2 (7.606)	

\*: Measuring point [ $\ell$ : 172 mm (6.77 in)]



SST867C

Retainer adjustment Adjusting screw	Initial tightening torque N·m (kg·cm, in·lb)	4.9 - 5.9 (50 - 60, 43 - 52)
	Retightening torque after loosening N·m (kg·cm, in·lb)	0.2 (2, 1.7)
	Tightening torque after gear has settled N·m (kg·cm, in·lb)	4.9 - 5.9 (50 - 60, 43 - 52)
	Returning angle degree	60° - 80°
Steering gear type	PR26AD	
Rack stroke "S" mm (in)	70.5 (2.776)	



SST086BA

# SERVICE DATA AND SPECIFICATIONS (SDS)

Power Steering

## Power Steering

NHST0036

Applied model		All	
Steering gear type		PR26AD	
Rack sliding force N (kg, lb) Under normal operating oil pressure	Range within $\pm 11.5$ mm ( $\pm 0.453$ in) from the neutral position at rack speed of 3.5 mm (0.138 in)/s	Average force	216 - 284 (22 - 29, 49 - 64)
		Maximum force deviation	98 (10, 22)
	Except for the above range	Maximum sliding force	294 (30, 66)
		Maximum force deviation	147 (15, 33)
Steering wheel turning force (Measured at one full turn from the neutral position) N (kg, lb)		39 (4, 9) or less	
Fluid capacity (Approximate) ℓ (US qt, Imp qt)		1.0 (1-1/8, 7/8)	
Oil pump maximum pressure kPa (kg/cm <sup>2</sup> , psi)		8,140 - 8,728 (83 - 89, 1,180 - 1,266)	

GI

MA

EM

LC

EC

FE

AT

AX

SU

BR

**ST**

RS

BT

HA

SC

EL

IDX

## NOTES