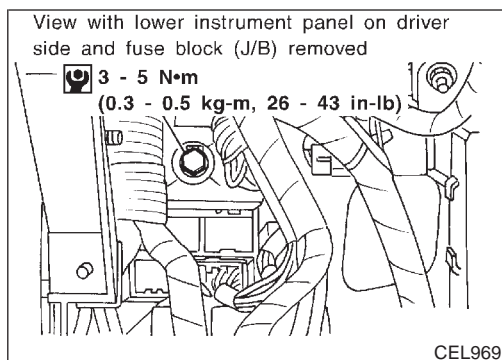


SUPER MULTIPLE JUNCTION (SMJ)

Installation



Installation

To install SMJ, tighten bolts until orange “fulltight” mark appears and then retighten to specified torque as required.

NHEL0146

 : **3 - 5 N•m (0.3 - 0.5 kg-m, 26 - 43 in-lb)**

CAUTION:

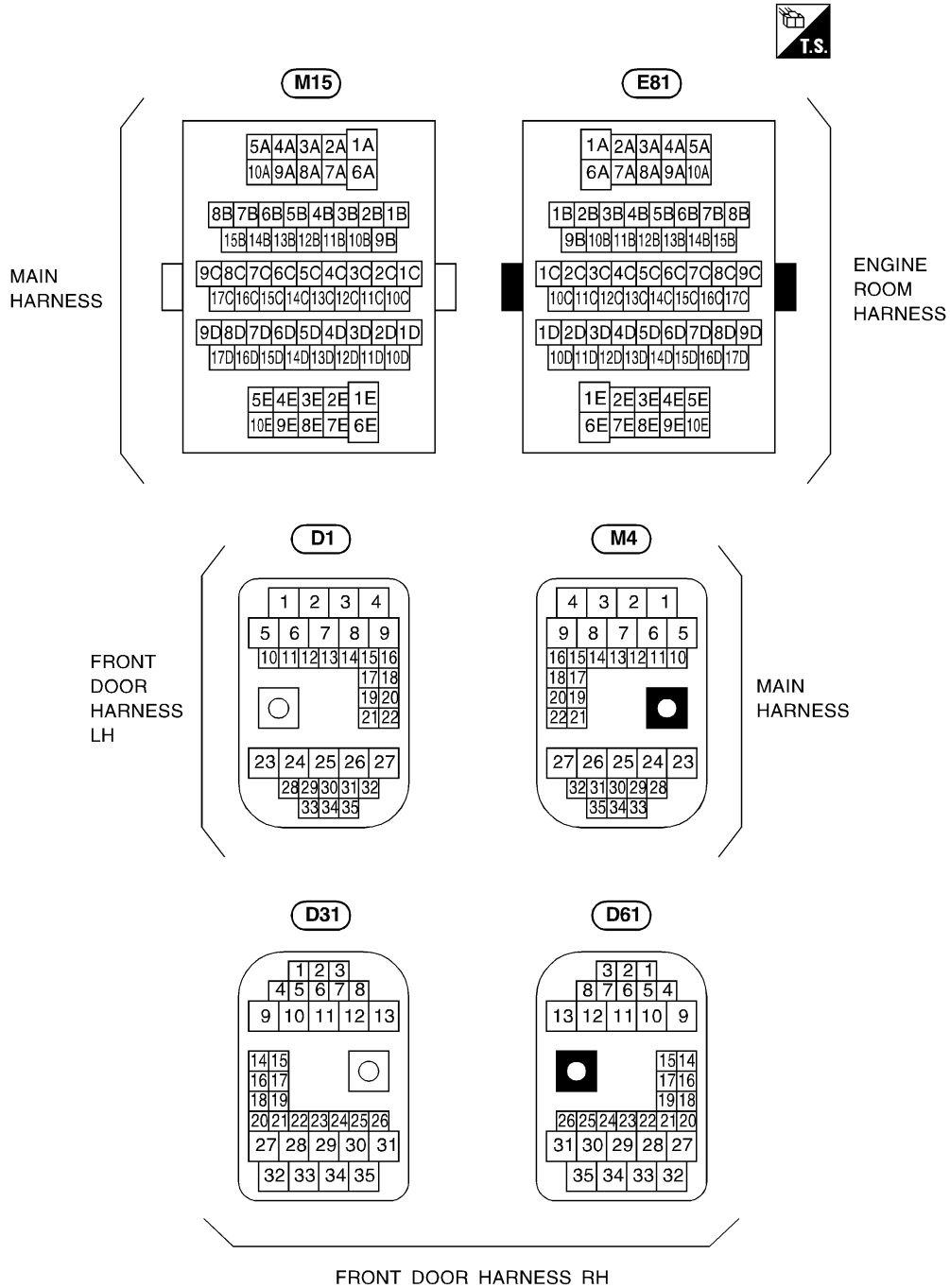
Do not overtighten bolts, otherwise, they may be damaged.

SUPER MULTIPLE JUNCTION (SMJ)

Terminal Arrangement

Terminal Arrangement

NHEL0147

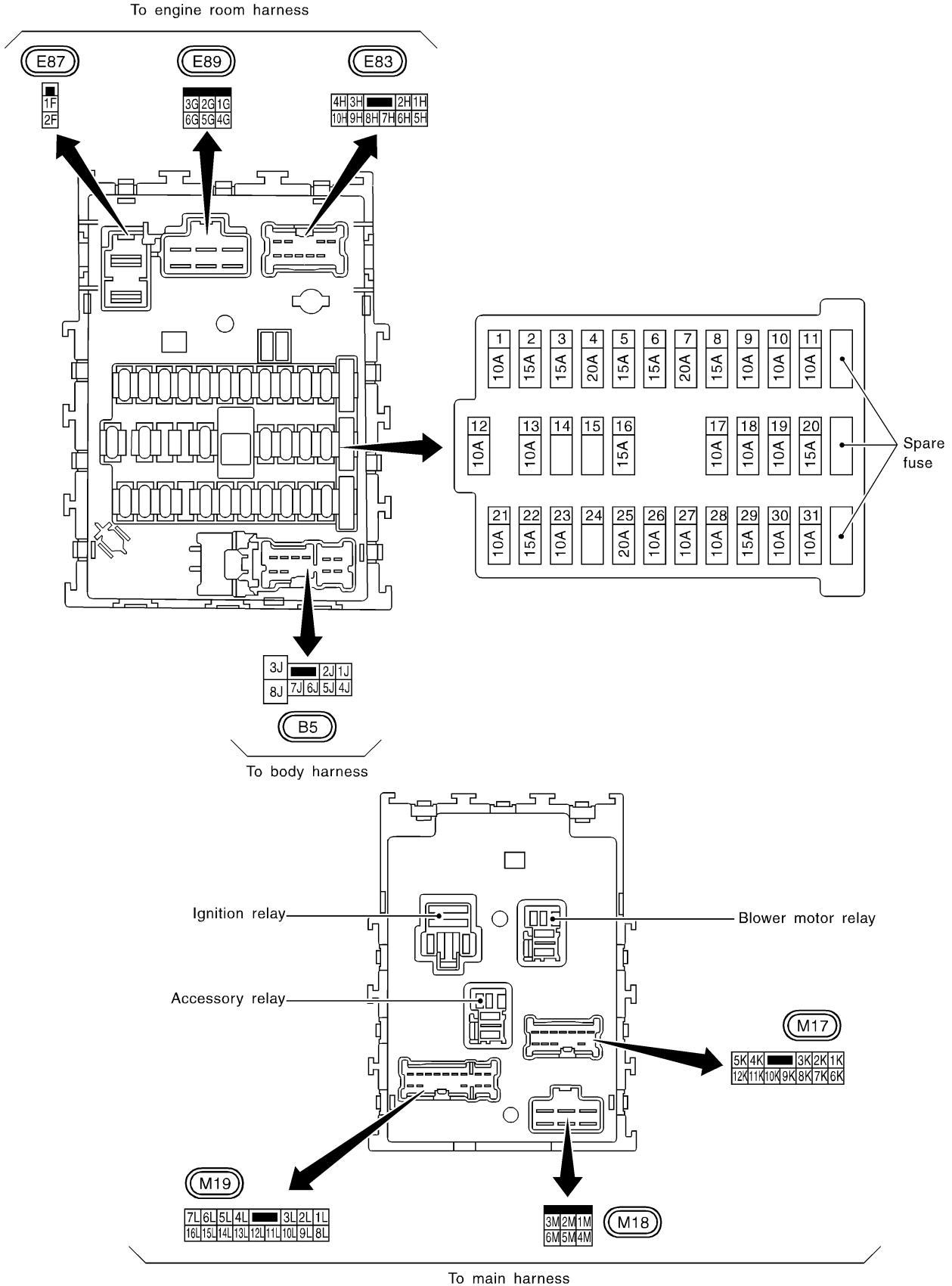


FUSE BLOCK — JUNCTION BOX (J/B)

Terminal Arrangement

Terminal Arrangement

NHEL0148

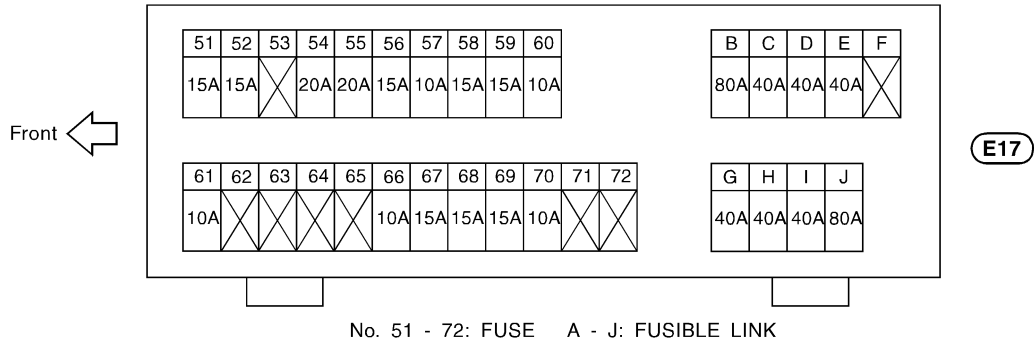
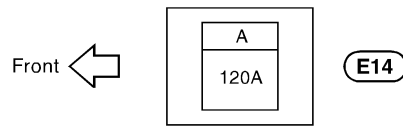


FUSE AND FUSIBLE LINK BOX

Terminal Arrangement

Terminal Arrangement

NHEL0149



MEL529K

JOINT CONNECTOR (J/C)

Terminal Arrangement

Terminal Arrangement

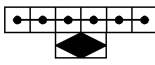
NHEL0160



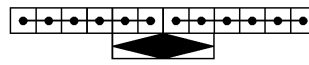
J/C-12 (E73)
 J/C-13 (E74)
 (White) J/C-14 (E75)
 J/C-10 (E21)
 J/C-9 (E20)



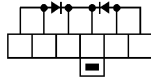
J/C-8 (E19)
 (Gray) J/C-7 (E18)



J/C-17 (F47)
 (Gray)



J/C-18 (F46)
 (Blue)



J/C-3 (M29)
 (Sky Blue) J/C-4 (M88)



J/C-3 (M29)
 J/C-4 (M88)

ENGINE TUNE-UP DATA

Engine model		VQ30DE	
Firing order		1-2-3-4-5-6	
Idle speed	rpm	A/T (in "N" position)	700±50
Ignition timing (degree BTDC at idle speed)		A/T: 15°±2°	
CO% at idle		Idle mixture screw is preset and sealed at factory.	
Drive belt deflection adjustment (Cold)		Used belt	
Alternator	mm (in)	Limit	Deflection after adjustment
		Deflection of new belt	
With air conditioner compressor		7 (0.28)	4.2 - 4.6 (0.165 - 0.181)
Without air conditioner compressor		10 (0.39)	6.3 - 6.9 (0.248 - 0.272)
Power steering oil pump		11 (0.43)	7.3 - 8 (0.287 - 0.315)
Applied pushing force		98 (10, 22)	
Drive belt tension adjustment (Cold)		Used belt	
Alternator	N (kg, lb)	Limit	After adjustment
		Deflection of new belt	
With air conditioner compressor		294 (30, 66)	730 - 818 (74.5 - 83.5, 164 - 184)
Without air conditioner compressor		294 (30, 66)	730 - 818 (74.5 - 83.5, 164 - 184)
Power steering oil pump		196 (20, 44)	495 - 583 (50.5 - 59.5, 111 - 131)
Applied pushing force		—	
Radiator cap relief pressure		78 - 98 (0.8 - 1.0, 11 - 14)	
Cooling system leakage testing pressure		157 (1.6, 23)	
Compression pressure		Standard 1,275 (13.0, 185)/300	
kPa (kg/cm ² , psi)/rpm		Minimum 981 (10.0, 142)/300	
High tension cable resistance		kΩ —	
Spark plug	Type		
	Standard	PFR5G-11	
	Hot	PFR4G-11	
	Cold	PFR6G-11	
Gap (Nominal)		mm (in) 1.1 (0.043)	

FRONT WHEEL ALIGNMENT (Unladen*)

Tire size		225/50R17	215/55R16
Camber	Degree minute (Decimal degree)	Minimum	-1°00' (-1.00°)
		Nominal	-0°15' (-0.25°)
		Maximum	0°30' (0.50°)
		Left and right difference	45' (0.75°) or less
Caster	Degree minute (Decimal degree)	Minimum	2°00' (2.00°)
		Nominal	2°45' (2.75°)
		Maximum	3°30' (3.50°)
		Left and right difference	45' (0.75°) or less
Total toe-in	Distance (A - B) mm (in)	Minimum	0 (0)
		Nominal	1 (0.04)
		Maximum	2 (0.08)
Angle (left plus right)	Degree minute (Decimal degree)	Minimum	0' (0)
		Nominal	6' (0.10°)
		Maximum	12' (0.20°)
Wheel turning angle (Full turn)	Degree minute (Decimal degree)	Minimum	29°30' (29.50°)
		Nominal	33°00' (33.00°)
		Maximum	34°00' (34.00°)
Inside	Degree minute (Decimal degree)	Nominal	39°30' (39.50°)
		Maximum	40°30' (40.50°)
Outside	Degree minute (Decimal degree)	Nominal	28°30' (28.50°)
		Maximum	32°00' (32.00°)

* Fuel, radiator coolant and engine oil full.
Spare tire, jack, hand tools and mats in designated positions.

REAR WHEEL ALIGNMENT (Unladen*)

Camber	Degree minute (Decimal degree)	Minimum	-1°45' (-1.75°)
		Nominal	-1°00' (-1.00°)
		Maximum	-0°15' (-0.25°)
Total toe-in	Distance (A - B) mm (in)	Minimum	-3 (-0.12)
		Nominal	1 (0.04)
		Maximum	5 (0.20)
Angle (left plus right)	Degree minute (Decimal degree)	Minimum	-16' (-0.27°)
		Nominal	5°30' (0.09°)
		Maximum	26' (0.43°)

* Fuel, radiator coolant and engine oil full.
Spare tire, jack, hand tools and mats in designated positions.

BRAKE

		Unit: mm (in)
Front brake		
Pad wear limit		2.0 (0.079)
Rotor repair limit		24.0 (0.945)
Rear brake		
Pad wear limit		1.5 (0.059)
Rotor repair limit		8.0 (0.315)
Pedal free height		167 - 174 (6.57 - 6.85)
Pedal depressed height*1		82.5 (3.248)
Parking brake		
Number of notches*2		3 - 4

*1 Under force of 490 N (50 kg, 110 lb) with engine running

*2 At pulling force: 196 N (20 kg, 44 lb)

REFILL CAPACITIES

		Unit	Liter	US measure
Coolant with reservoir			7.7	8-1/8 qt
Engine*	Drain and refill			
	With oil filter		4.0	4-1/4 qt
	Without oil filter		3.7	3-7/8 qt
	Dry engine (engine overhaul)		4.8	5-1/8 qt
Transaxle	A/T	RE4F04B/W	9.4	10 qt
Power steering system			1.1	1-1/8 qt
Air conditioning system	Refrigerant		0.60 - 0.70 kg	1.32 - 1.54 lb
	Compressor oil		0.2	6.8 fl oz

* For further details, see "Changing Engine Oil" in MA section.

NOTES