

# ACCELERATOR CONTROL, FUEL & EXHAUST SYSTEMS

## SECTION **FE**

GI

MA

EM

LC

EF &  
EC

**FE**

AT

PD

FA

RA

BR

ST

BF

HA

EL

DX

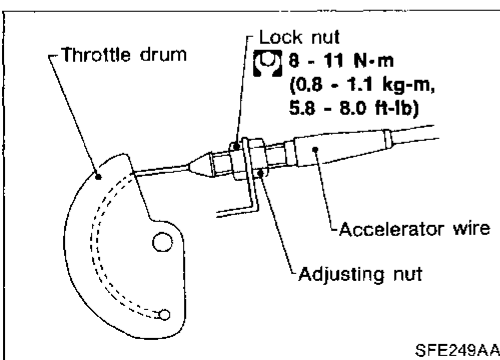
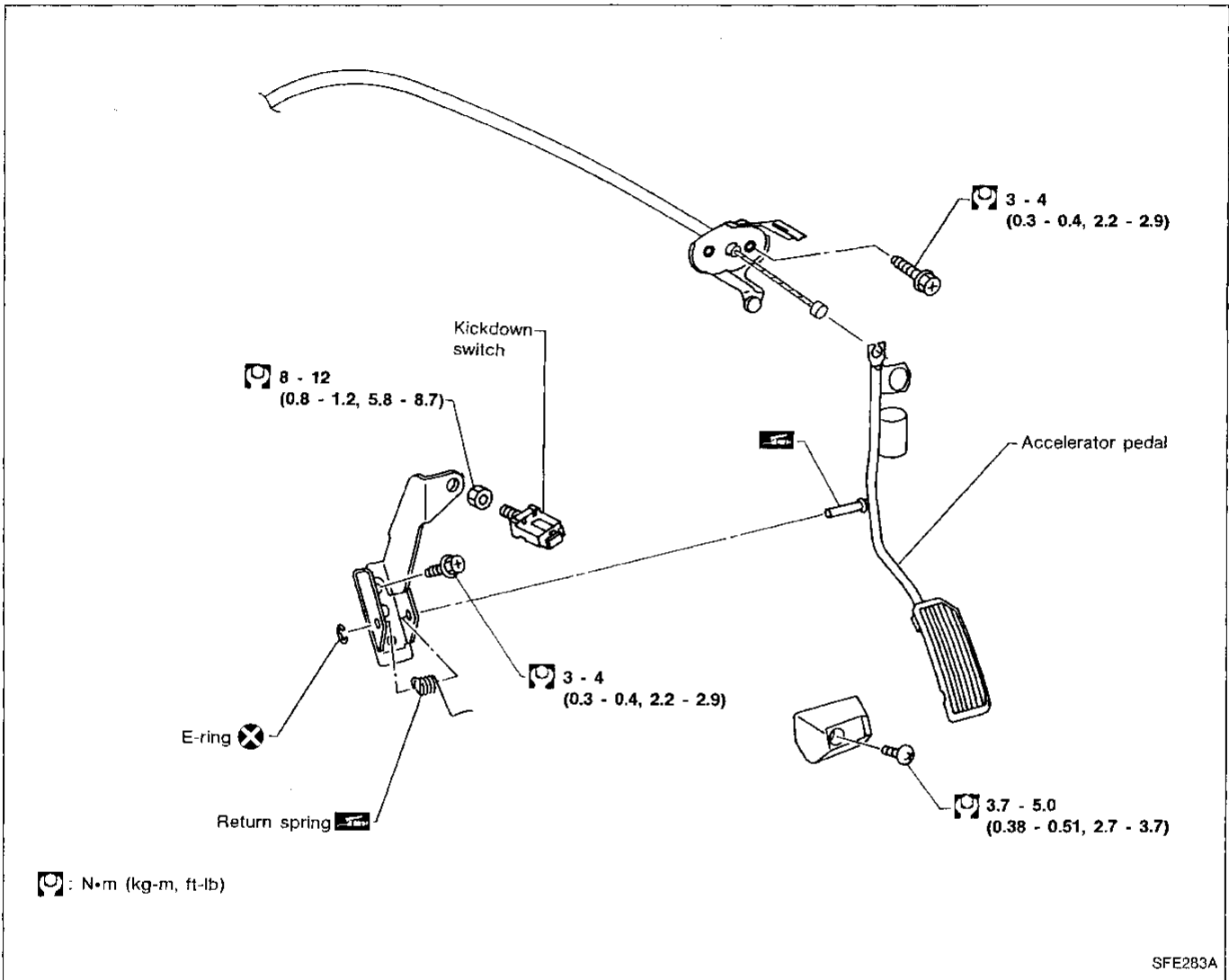
## CONTENTS

<b>ACCELERATOR CONTROL SYSTEM</b> .....	2	Fuel Tank .....	3
Adjusting Accelerator Wire .....	2	Fuel Pump and Gauge .....	5
<b>FUEL SYSTEM</b> .....	3	<b>EXHAUST SYSTEM</b> .....	6

# ACCELERATOR CONTROL SYSTEM

## CAUTION:

- When removing accelerator wire, make a mark to indicate lock nut's initial position.
- Check that throttle valve fully opens when accelerator pedal is fully depressed and that it returns to idle position when pedal is released.
- Check accelerator control parts for improper contact with any adjacent parts.
- When connecting accelerator parts wire, be careful not to twist or scratch its inner wire.
- Refer to EL section for ASCD wire adjustment.
- Refer to "ON-VEHICLE SERVICE" in AT section for Kickdown switch adjustment.



## Adjusting Accelerator Wire

1. Loosen lock nut, and tighten adjusting nut until throttle drum starts to move.
2. From that position turn back adjusting nut 1.5 to 2 turns, and fasten it with lock nut.

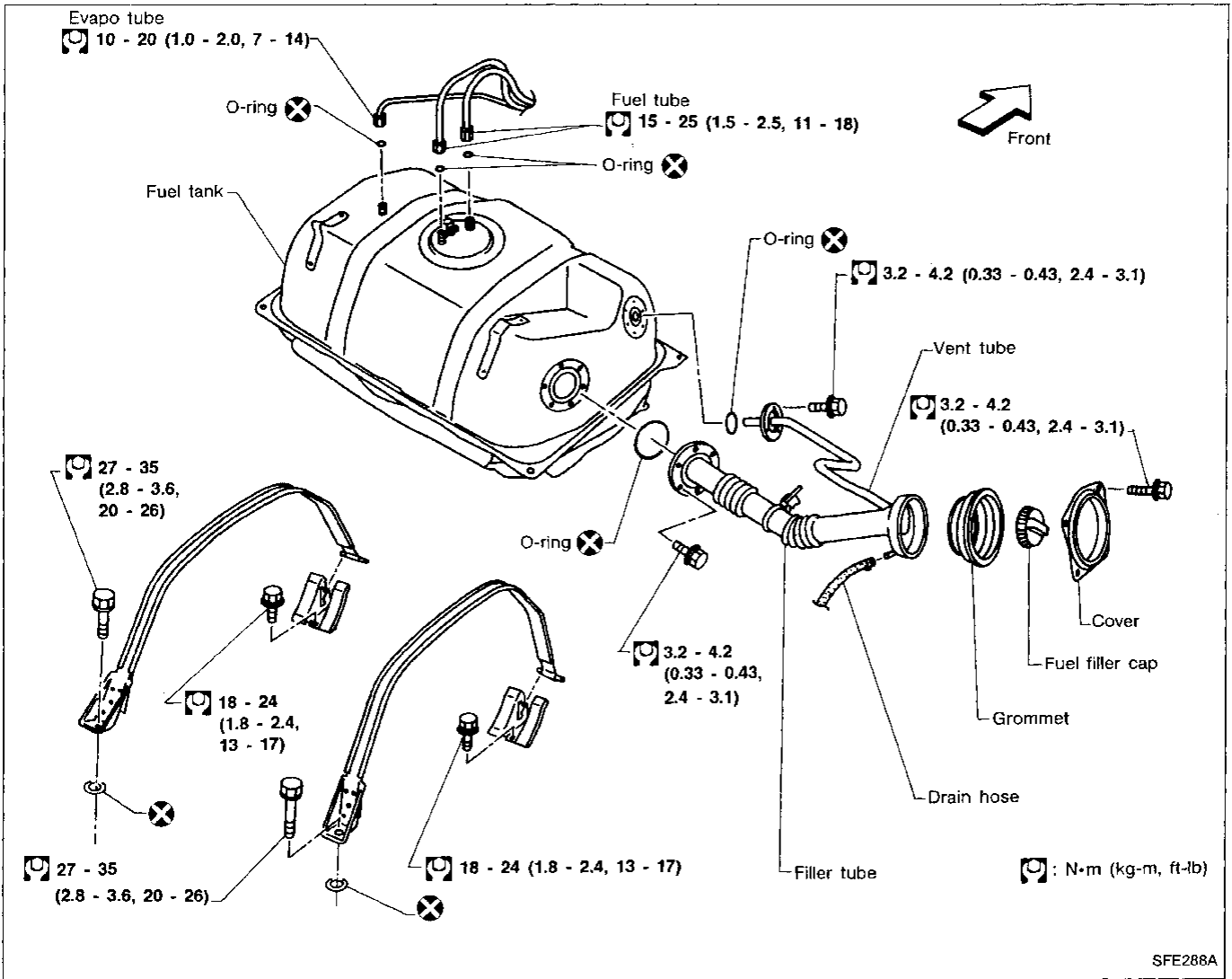
# FUEL SYSTEM

## WARNING:

When replacing fuel line parts, be sure to observe the following:

- Put a "CAUTION: INFLAMMABLE" sign in workshop.
- Do not smoke while servicing fuel system. Keep open flames and sparks away from work area.
- Be sure to disconnect battery ground cable before conducting operations.
- Be sure to furnish workshop with a CO<sub>2</sub> fire extinguisher.
- Drain fuel from fuel tank and put drained fuel in an explosion-proof container and put lid on securely.

## Fuel Tank



GI

VA

EM

LC

EF &  
EC

FE

AT

PD

FA

RA

BR

ST

BF

HA

EL

IDX

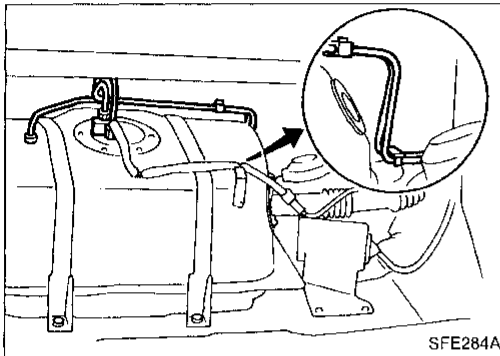
## FUEL SYSTEM

### Fuel Tank (Cont'd)

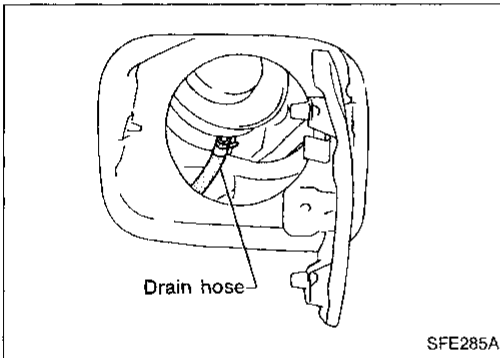
#### REMOVAL

##### CAUTION:

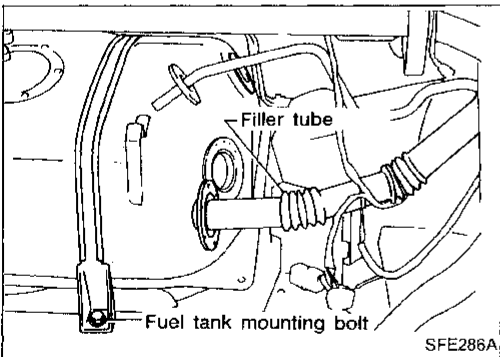
- Do not disconnect any fuel line unless absolutely necessary.
- Plug pipe openings to prevent entry of dust or dirt.
- Do not pull drain hose as it may become disconnected from grommet on underside of vehicle.



1. Release fuel pressure from fuel line. Refer to "Changing Fuel Filter" in MA section.
2. Remove trunk front finisher. (Refer to "LUGGAGE COMPARTMENT TRIM" in BF section.)
3. Disconnect connector, tubes and clip.



4. Remove cover and grommet.
5. Disconnect drain hose and fasten its end to the body with tape to prevent it from dropping.



6. Remove filler tube.
7. Remove the two fuel tank mounting bolts, and remove fuel tank.

## FUEL SYSTEM

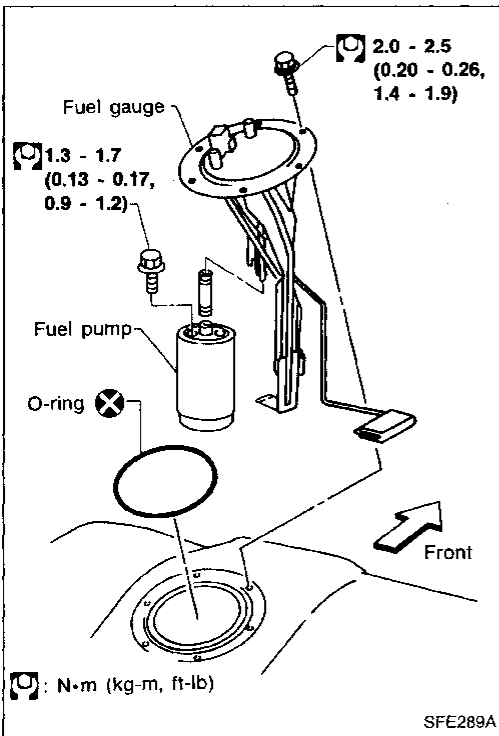
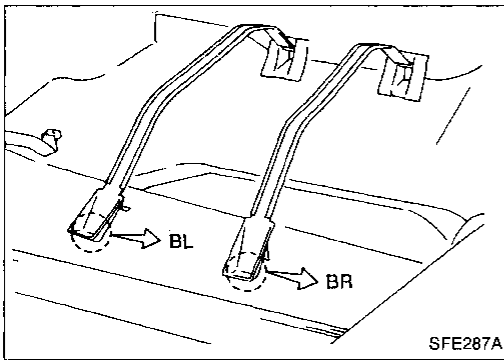
### Fuel Tank (Cont'd)

#### INSTALLATION

- Installation procedure is basically the reverse order of removal.
- Before installing fuel tank, make sure the two mounting bands are set in position. Each band has an identification mark as shown in the figure at left.

#### CAUTION:

- Always replace O-ring with a new one.
- Do not kink or twist tubes when they are installed.
- Be careful of designated direction of fuel check valve. (Refer to "FUEL CHECK VALVE" in EF & EC section.)
- Tighten bolts to specified torque. After installation, run engine and check for leaks at connections.



### Fuel Pump and Gauge

#### REMOVAL

1. Release fuel pressure from fuel line. Refer to "Changing Fuel Filter" in MA section.
2. Remove trunk front finisher. (Refer to "LUGGAGE COMPARTMENT TRIM" in BF section.)
3. Disconnect connector and tubes.
4. Remove bolts and remove fuel pump and gauge assembly.
5. Loosen clamp and separate fuel pump and gauge.

#### INSTALLATION

- Installation procedure is basically the reverse order of removal.

#### CAUTION:

- Always replace O-ring with a new one.
- Tighten bolts to specified torque. After installation, run engine and check for leaks at connections.

GI

MA

EM

LC

EF &  
EC

FE

AT

PD

FA

RA

BR

ST

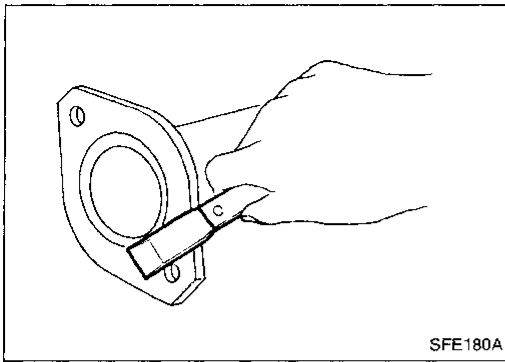
BF

HA

EL

IDX

# EXHAUST SYSTEM



## CAUTION:

- When connecting center tube and muffler assembly, use the Genuine Nissan Sealant "Exhaust Sealant Kit 20720-N2226" or an equivalent to eliminate gas leaks at the joint.
- Always replace exhaust gaskets with new ones when reassembling. If gasket is left on flange surface, scrape off completely as shown at left.
- With engine running, check all tube connections for exhaust gas leaks, and entire system for unusual noises.
- After installation, check to ensure that mounting brackets and mounting insulator are free from undue stress. If any of the above parts are not installed properly, excessive noise or vibration may be transmitted to the vehicle body.

