

BODY AND TRIM

SECTION **BT**

CONTENTS

GENERAL SERVICING	2	SEAT	24
Precautions.....	2	Front Seat.....	24
Supplemental Restraint System (SRS) "AIR BAG" and "SEAT BELT PRE-TENSIONER".....	2	Rear Seat	28
Clip and Fastener	2	SUN ROOF	29
BODY END	4	WINDSHIELD AND WINDOWS	31
Body Front End	4	Windshield and Rear Window	31
Body Rear End and Opener	6	Opera Window.....	32
DOOR	8	DOOR MIRROR	33
Front Door	8	REAR AIR SPOILER	34
Rear Door	9	Rear Air Spoiler	34
INSTRUMENT PANEL	10	BODY ALIGNMENT	35
INTERIOR TRIM	12	Engine Compartment	35
EXTERIOR TRIM	18	Underbody	37

- ★ For seat belt, refer to MA and RS sections.
- ★ For body electrical systems, refer to EL section.

GI

MA

EM

LC

EF &
EC

FE

AT

PD

FA

RA

BR

ST

RS

BT

HA

EL

IDX

Precautions

- When removing or installing various parts, place a cloth or padding onto the vehicle body to prevent scratches.
- Handle trim, molding, instruments, grille, etc. carefully during removing or installation. Be careful not to soil or damage them.
- Apply sealing compound where necessary when installing parts.
- When applying sealing compound, be careful that the sealing compound does not protrude from parts.
- When replacing any metal parts (for example body outer panel, members, etc.), be sure to take rust prevention measures.

Supplemental Restraint System (SRS) “AIR BAG” and “SEAT BELT PRE-TENSIONER”


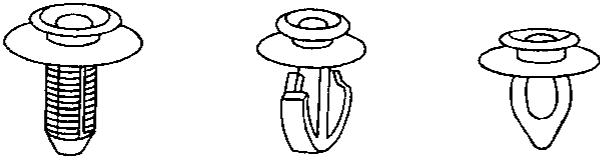
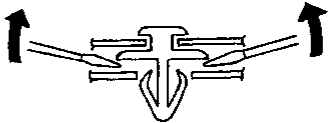

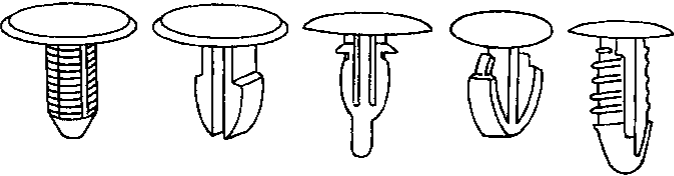
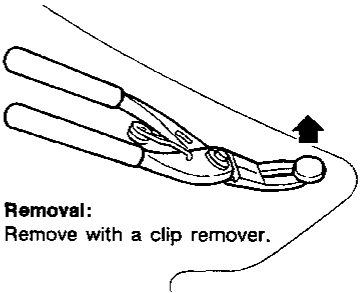
The Supplemental Restraint System “Air Bag” and “Seat Belt Pre-tensioner”, used along with a seat belt, help to reduce the risk or severity of injury to the driver and front passenger in a frontal collision. The Supplemental Restraint System consists of air bag modules (located in the center of the steering wheel and on the instrument panel on the passenger side), seat belt pre-tensioners, a diagnosis sensor unit, warning lamp, wiring harness and spiral cable. Information necessary to service the system safely is included in the **RS section** of this Service Manual.

WARNING:

- To avoid rendering the SRS inoperative, which could increase the risk of personal injury or death in the event of a collision which would result in air bag inflation, all maintenance must be performed by an authorized INFINITI dealer.
- Improper maintenance, including incorrect removal and installation of the SRS, can lead to personal injury caused by unintentional activation of the system.
- All SRS electrical wiring harnesses and connectors are covered with yellow outer insulation. Do not use electrical test equipment on any circuit related to the SRS.


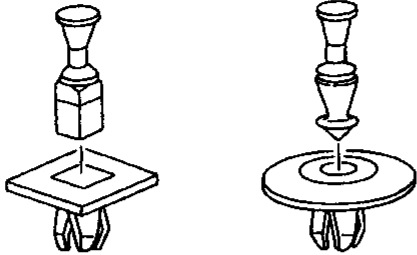
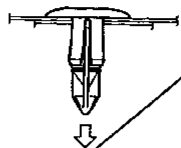
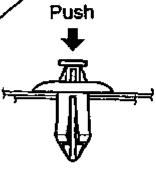

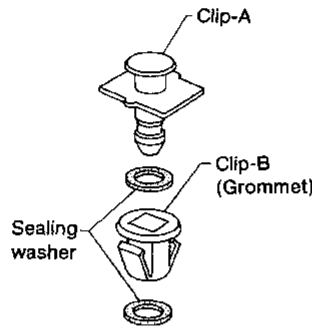
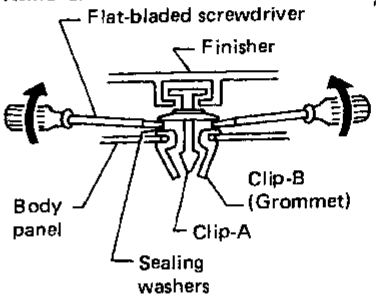

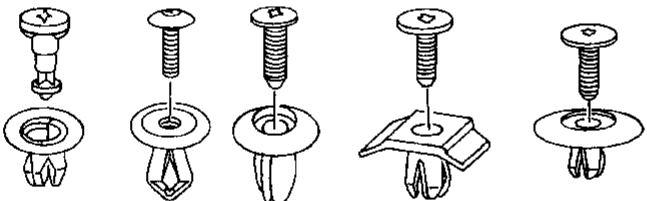
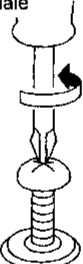
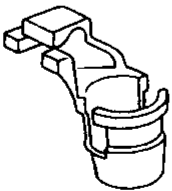
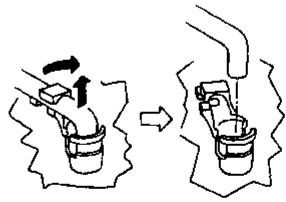
Clip and Fastener

- Clips and fasteners in BT section correspond to the following numbers and symbols.
- Replace any clips and/or fasteners which are damaged during removal or installation.

Symbol No.	Shapes	Removal & Installation
 E101	 SBF302H	<p>Removal: Remove by bending up with flat-bladed screwdrivers or clip remover.</p>  SBF367BA
 E103	 SBF303H	<p>Removal: Remove with a clip remover.</p>  SBF423H

GENERAL SERVICING

Clip and Fastener (Cont'd)

Symbol No.	Shapes	Removal & Installation
C203 		<p>Push center pin to catching position. (Do not remove center pin by hitting it.)</p> <p>Push</p>  <p>Installation:</p>  <p style="text-align: right;">SBF258G SBF708E</p>
CF118 		<p>Removal:</p>  <p style="text-align: right;">SBF151D SBF259G</p>
CS101 		<p>Removal:</p> <ol style="list-style-type: none"> 1. Screw out with a Phillips screwdriver. 2. Remove female portion with flat-bladed screwdriver.  <p style="text-align: right;">SBF078B SBF992G</p>
CR103		<p>Removal:</p> <p>Holder portion of clip must be spread out to remove rod.</p>  <p style="text-align: right;">SBF768B SBF770B</p>

GI
 MA
 EM
 LC
 EF & EC
 FE
 AT
 PD
 FA
 RA
 BR
 ST
 RS
 BT
 HA
 EL
 IDX

Body Front End

- Hood adjustment: Adjust at hinge portion.
- Hood lock adjustment: After adjusting, check hood lock control operation. Apply a coat of grease to hood locks engaging mechanism.
- Hood opener: Do not attempt to bend cable forcibly. Doing so increases effort required to unlock hood.

WARNING:

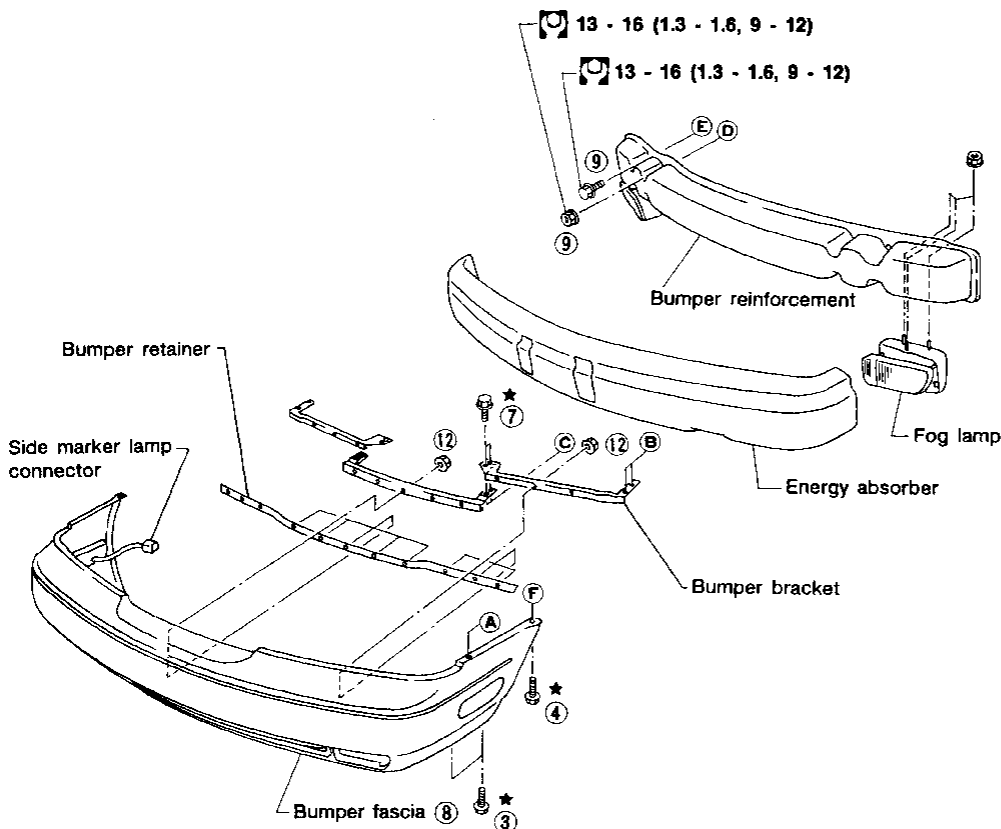
- Be careful not to scratch hood stay when installing hood. A scratched stay may cause gas leakage.
- The contents of the hood stay are under pressure. Do not take apart, puncture, apply heat or allow fire near it.

CAUTION:

Do not touch reinforcement with bare hands. Wear leather working gloves, since reinforcement surface is covered with fiberglass.

REMOVAL — Front bumper assembly

- ① Remove clips (CS101) securing left, right and center air guides; remove air guides.
- ② Remove left and right front combination lamps.
- ③ Remove bolts securing left and right fender protectors.
- ④ Remove bolts located at wheel opening. Remove bumper fascia from fender.
- ⑤ Remove left and right headlamps.
- ⑥ Remove bolts securing bumper fascia to fender.
- ⑦ Remove two bolts securing left fender bracket, and two bolts securing left headlamp stay. Similarly, remove right fender bracket and headlamp stay.
- ⑧ Pull bumper fascia out. Disconnect left and right side marker lamp harness connectors.
- ⑨ Remove bolts and nuts from bumper stays and detach reinforcement.
- ⑩ Remove bumper stays. Remove washer tank (on the right side).
- ⑪ Remove air intake grille.
- ⑫ Remove nuts securing bumper brackets (left, right and center); remove bumper brackets and bumper retainer.



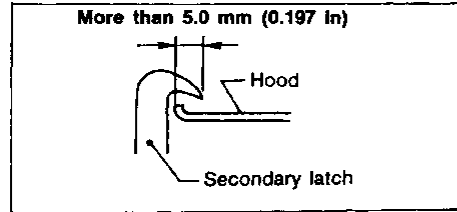
BODY END

Body Front End (Cont'd)

Hood lock adjustment

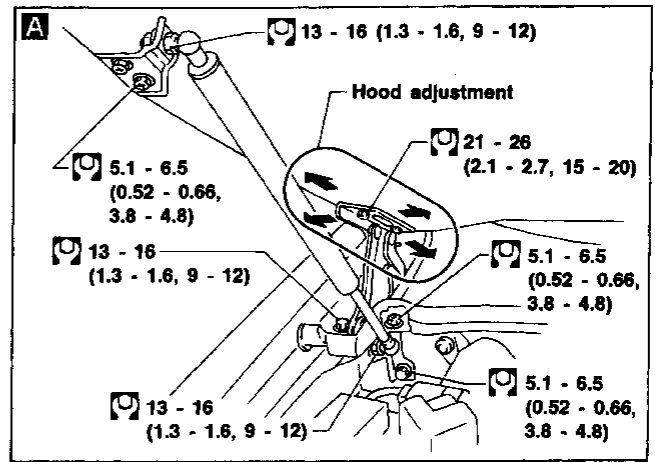
- Adjust hood so that hood primary lock meshes at position 1 to 1.5 mm (0.039 to 0.059 in) lower than fender.
- After hood lock adjustment, adjust bumper rubber.
- When securing hood lock, ensure it does not tilt. Striker must be positioned at the center of hood primary lock.
- After adjustment, ensure that hood primary and secondary lock operate properly.

Hood lock secondary latch hooking length

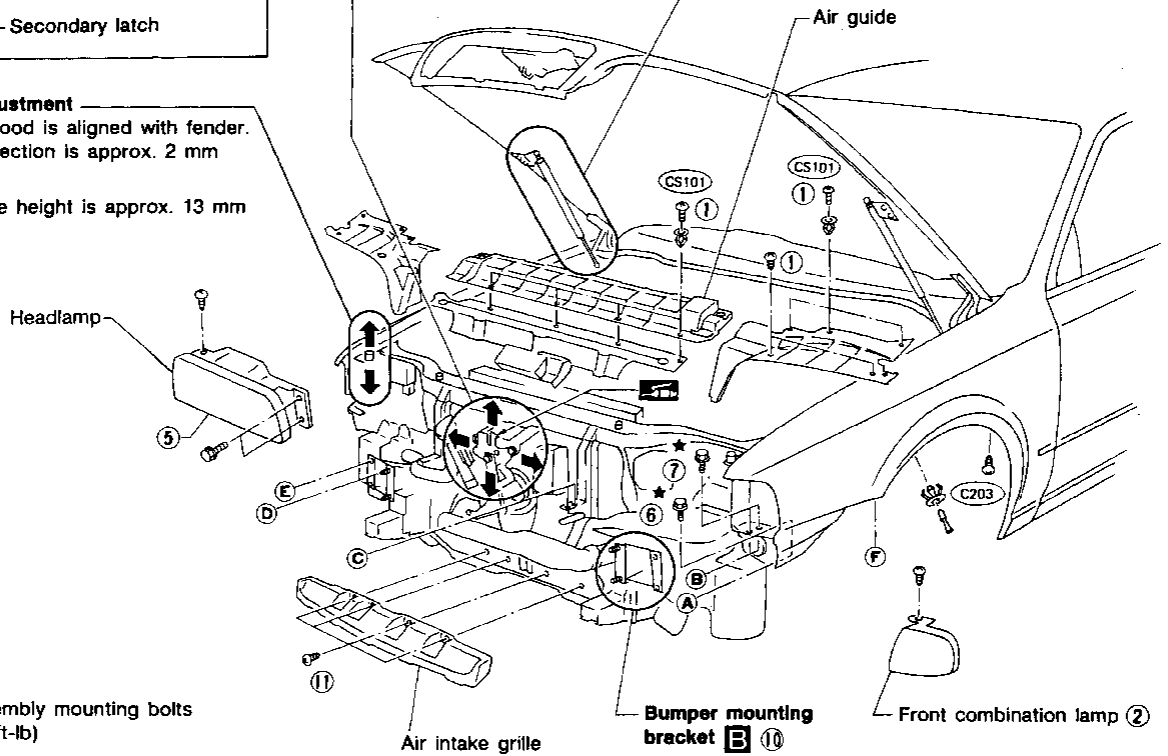


Bumper rubber adjustment

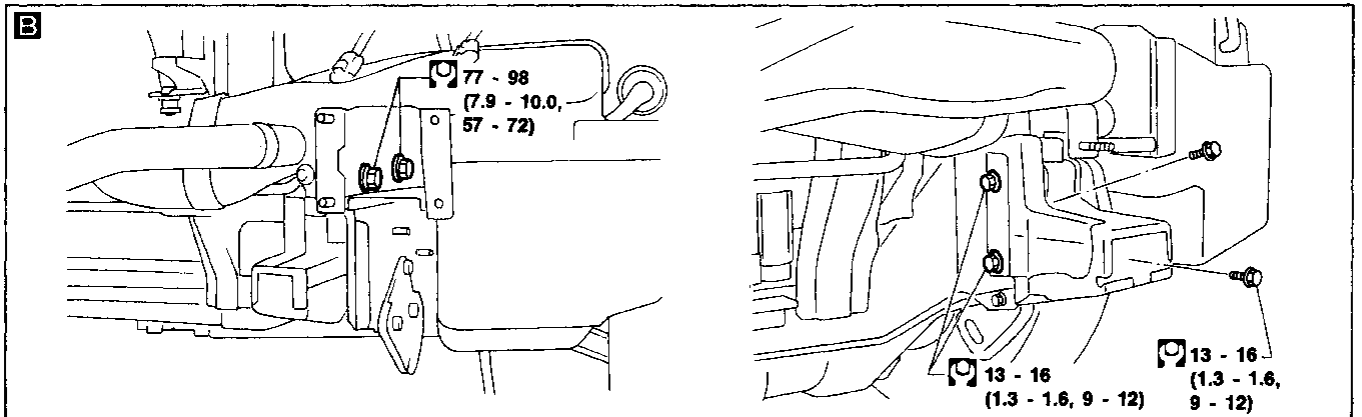
- Adjust so that hood is aligned with fender. At that time deflection is approx. 2 mm (0.08 in).
- [Bumper rubber free height is approx. 13 mm (0.51 in).]



Hood adjustment and hood stay installation A



★ : Bumper assembly mounting bolts
 (C) : N·m (kg·m, ft·lb)



GI
 MA
 EM
 LC
 EF & EC
 FE
 AT
 PD
 FA
 RA
 BR
 ST
 RS
 BT
 HA
 EL
 IDX

Body Rear End and Opener

- Trunk lid adjustment: Adjust at hinge-trunk lid portion for proper trunk lid fit.
- Trunk lid lock system adjustment: Adjust striker so that it is in the center of the lock. After adjustment, check trunk lid lock operation.
- Opener cable: Do not attempt to bend cable using excessive force.
- After installation, make sure that trunk lid and fuel filler lid open smoothly.

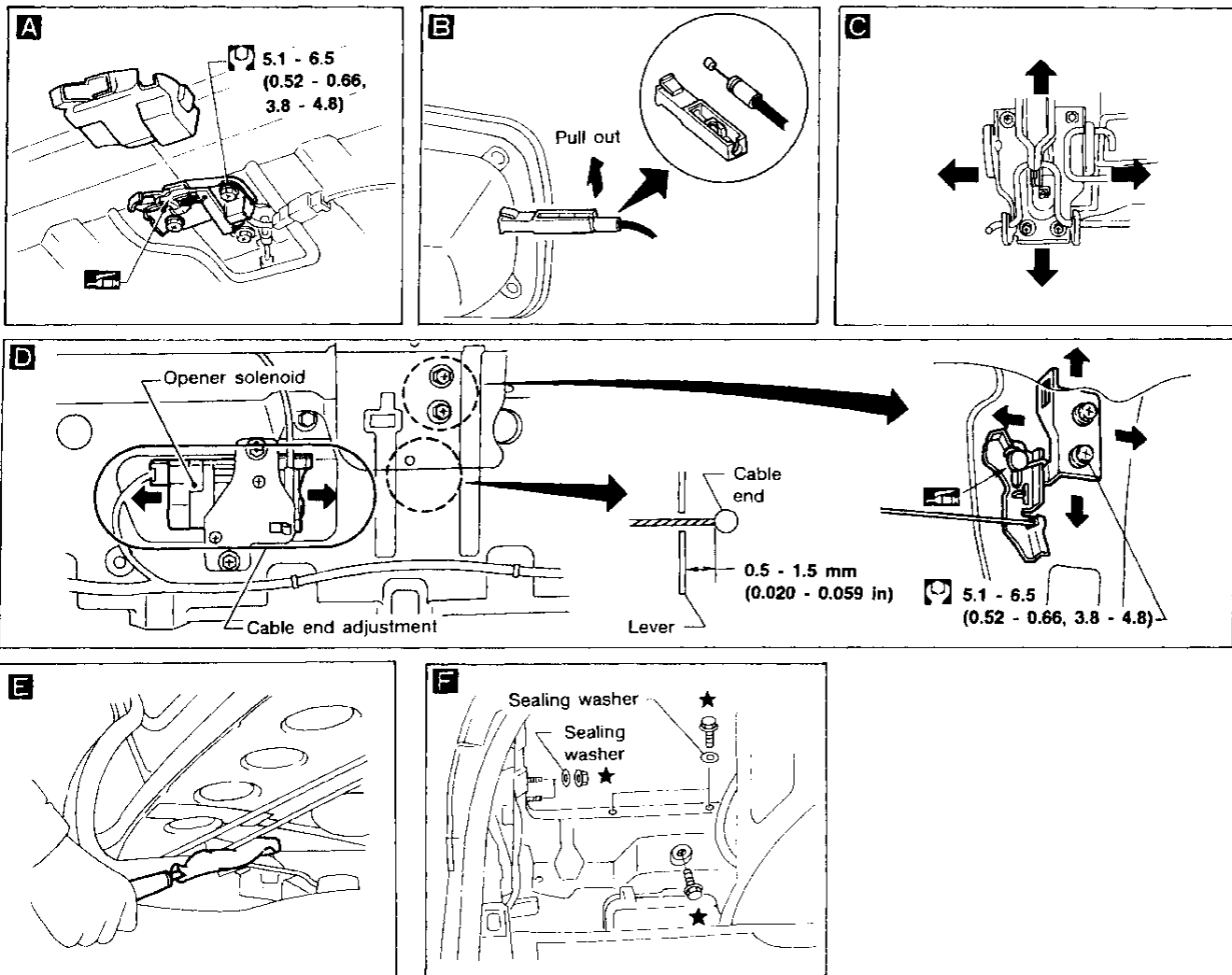
CAUTION:

Do not touch reinforcement with bare hands. Wear leather working gloves, since reinforcement surface is covered with fiberglass.

★ For Wiring Diagram, refer to "TRUNK LID AND FUEL FILLER LID OPENER" in EL section.

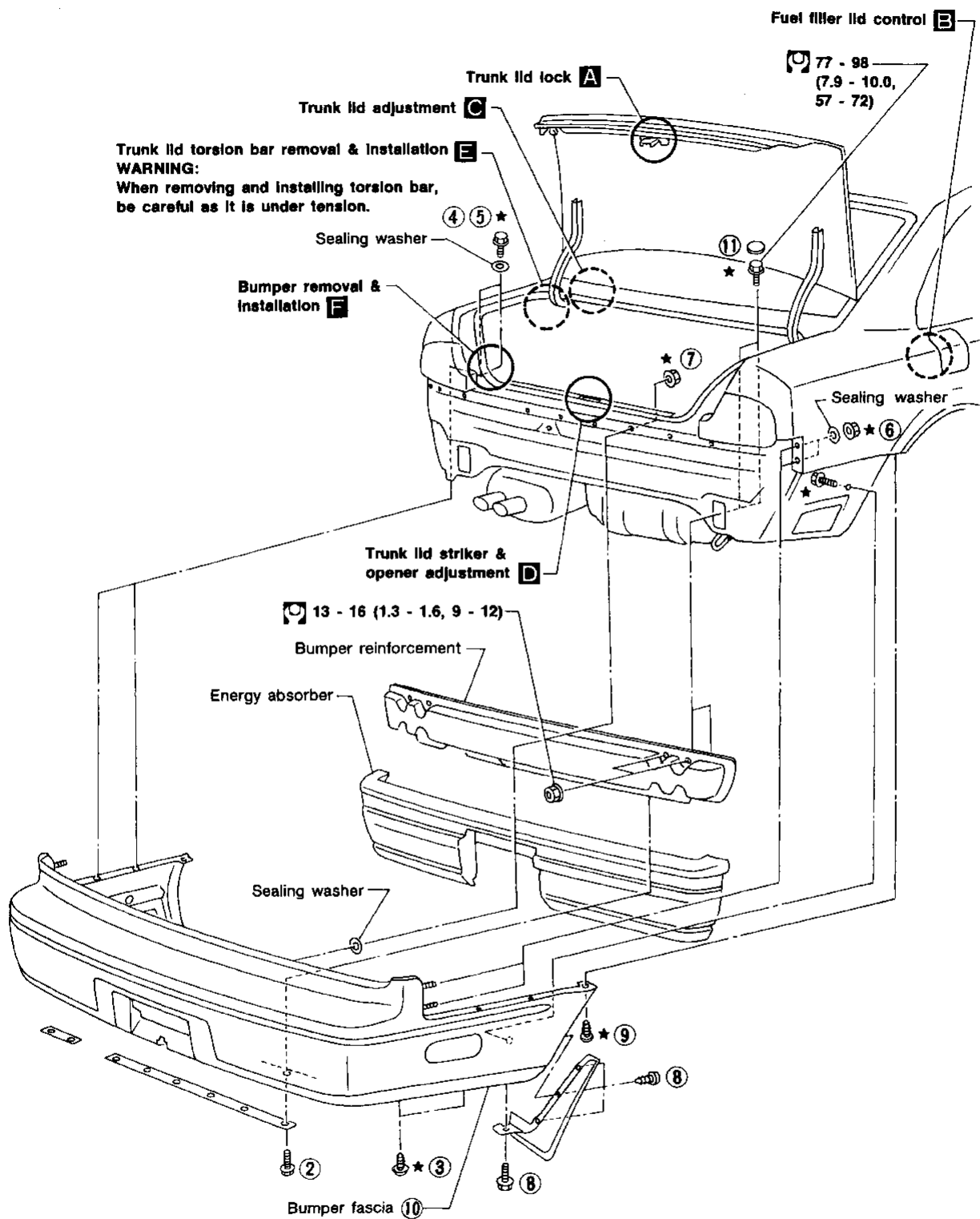
REMOVAL — Rear bumper assembly

- ① Remove license plate.
- ② Remove bolts from lower side of rear bumper.
- ③ Remove screws from lower side of each side bumper.
- ④ Remove trunk trim. Refer to "TRUNK ROOM TRIM" for details (BT-17).
- ⑤ Working inside trunk, remove bolts securing each bumper side to fender.
- ⑥ Working inside trunk, remove nuts securing each corner of bumper fascia.
- ⑦ Also remove nuts from center of trunk compartment.
- ⑧ Remove screws securing left and right rear mudguards to bumper fascia.
- ⑨ Remove screws securing wheelarch to each bumper side.
- ⑩ Pull bumper fascia out. Remove side marker lamp and license lamp harness connectors.
- ⑪ Remove bumper stays. Working inside trunk, remove left and right plugs from floor, then remove bolts.



BODY END

Body Rear End and Opener (Cont'd)



Trunk lid torsion bar removal & installation **E**
WARNING:
 When removing and installing torsion bar,
 be careful as it is under tension.

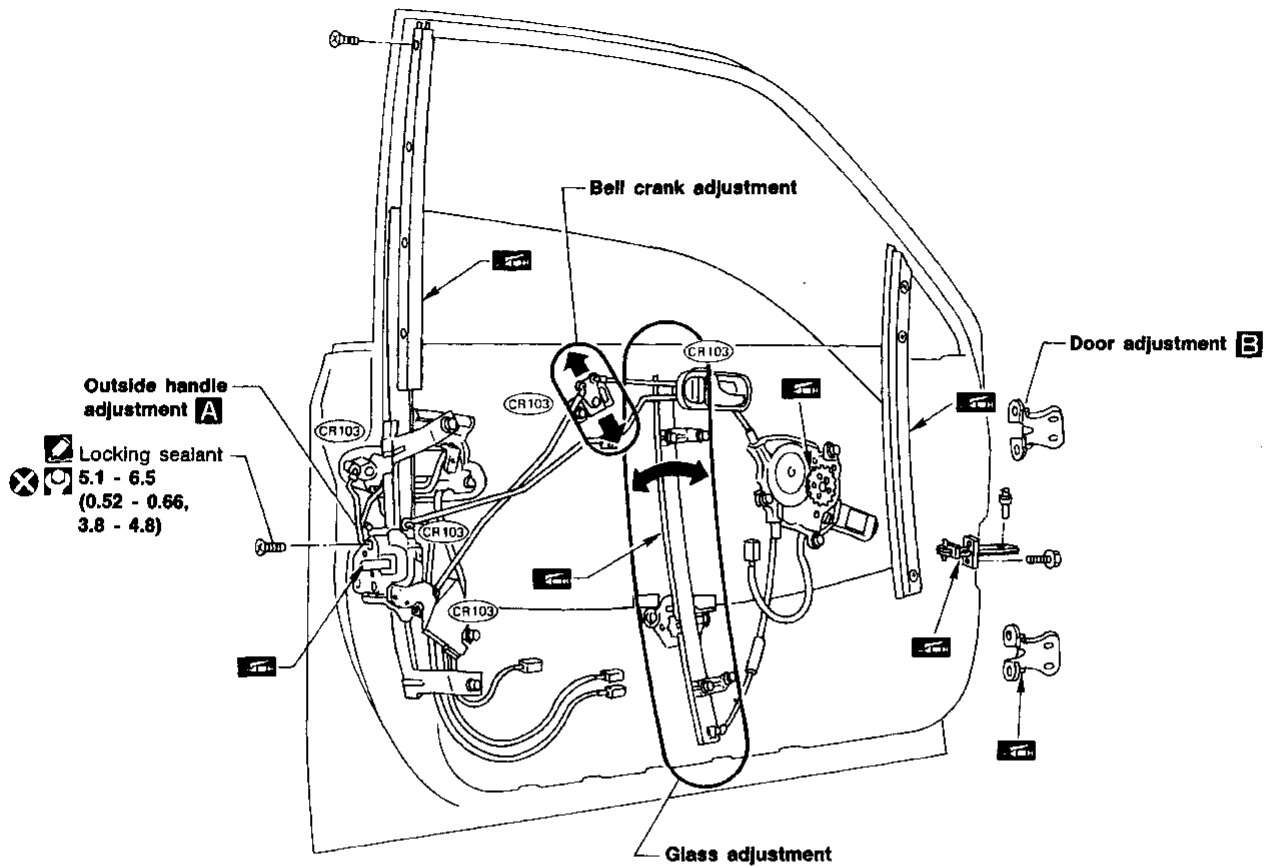
★ : Bumper assembly mounting screws, bolts & nuts
 ☞ : N·m (kg-m, ft-lb)

GI
 MA
 EM
 LC
 EF &
 EC
 FE
 AT
 PD
 FA
 RA
 BR
 ST
 RS
 BT
 HA
 EL
 IDX

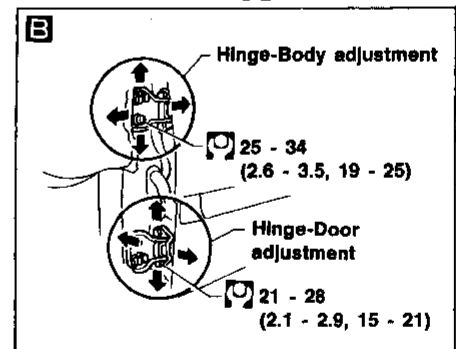
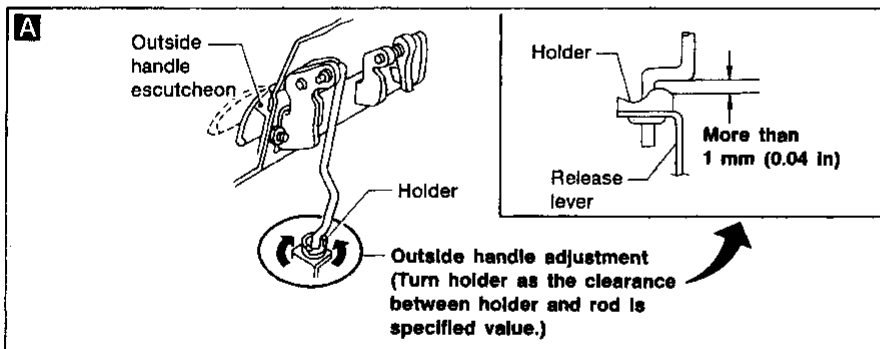
DOOR

Front Door

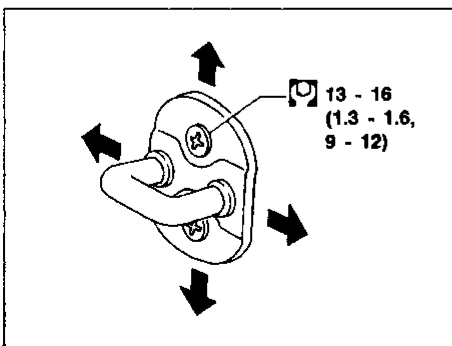
- After adjusting door or door lock, check door lock operation.



: N·m (kg·m, ft·lb)



Striker adjustment



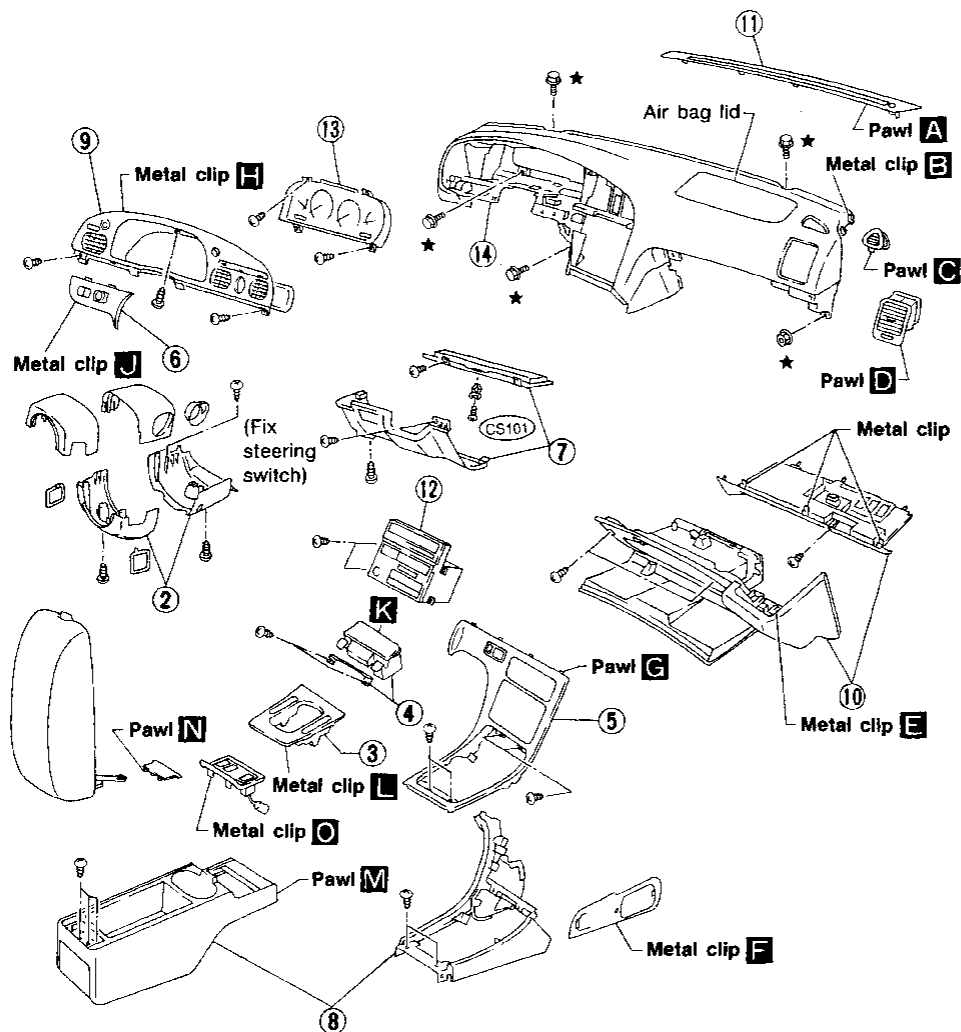
INSTRUMENT PANEL

CAUTION:

- Disconnect ground terminal from battery in advance.
- Disconnect air bag system line in advance.
- Never tamper with or force air bag lid open, as this may adversely affect air bag performance.
- Be careful not to scratch pad and other parts.

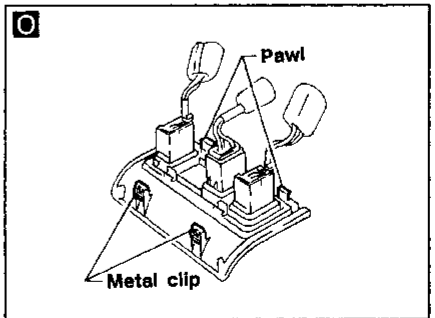
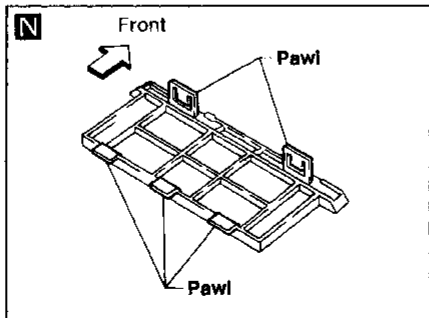
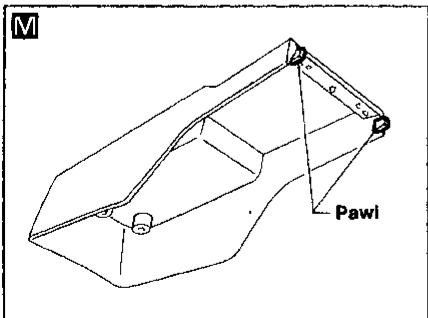
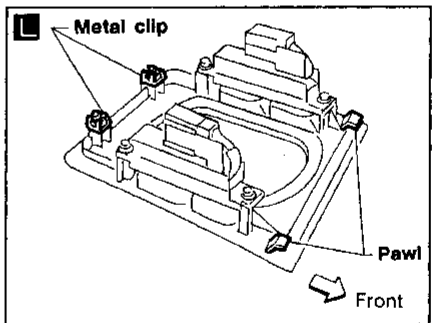
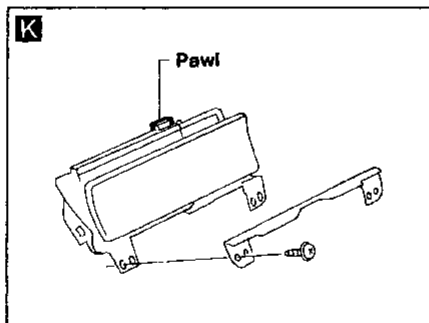
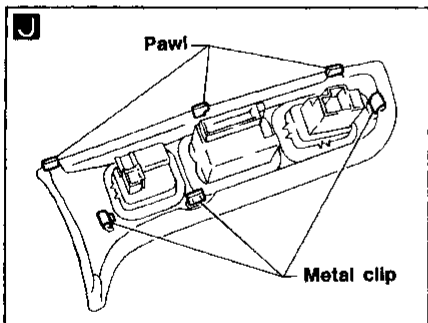
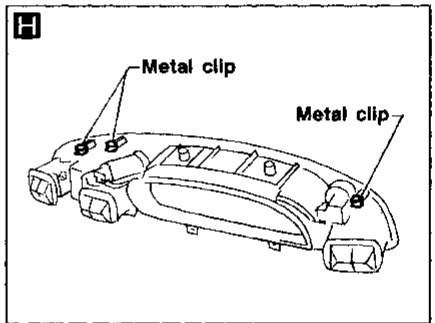
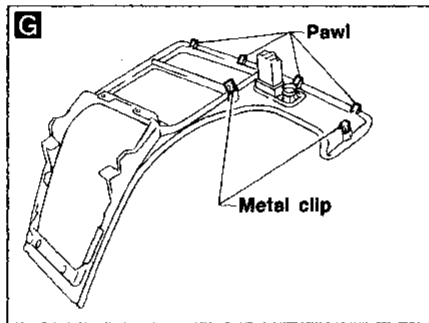
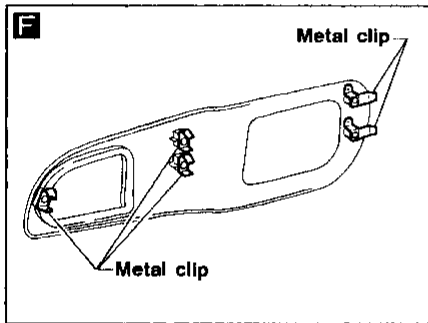
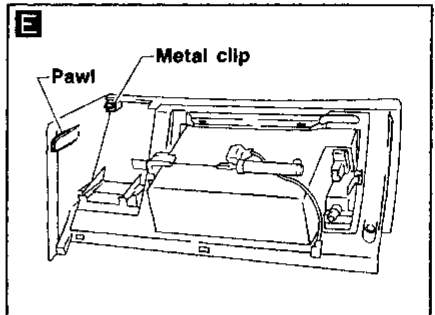
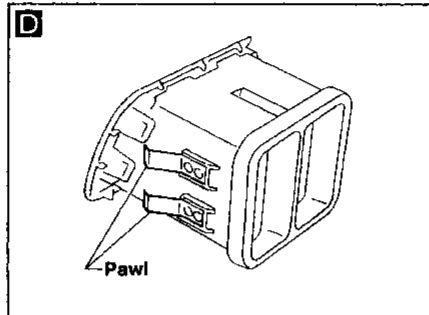
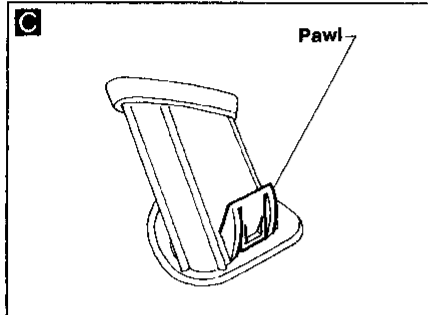
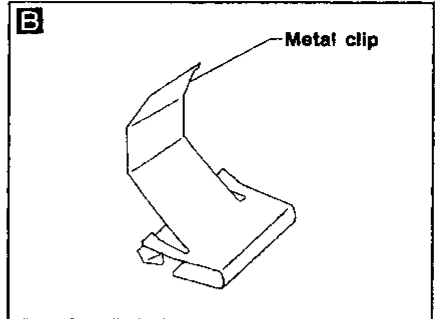
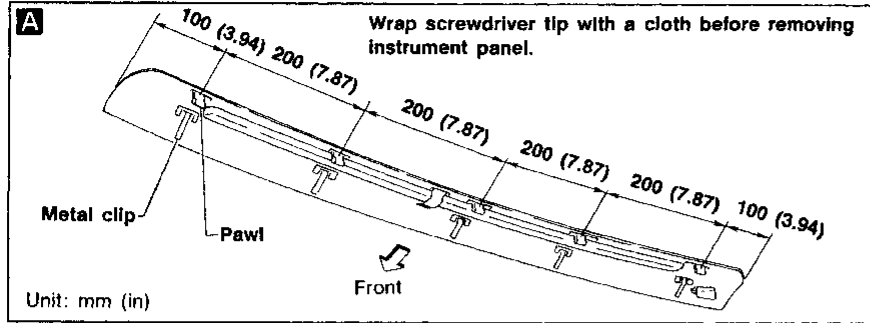
REMOVAL — Instrument panel assembly

- ① Remove steering wheel. Disengage air bag system in advance.
- ② Remove steering column cover.
- ③ Remove A/T finisher.
- ④ Remove ash tray assembly.
- ⑤ Remove cluster lid C.
- ⑥ Remove cluster lid D.
- ⑦ Remove lower instrument cover on driver side.
- ⑧ Remove front floor console assembly and rear floor console assembly.
- ⑨ Remove cluster lid A.
- ⑩ Remove glove box assembly and lower instrument cover on passenger side.
- ⑪ Remove defroster grille.
- ⑫ Remove radio and A/C or heater control.
- ⑬ Remove combination meter assembly.
- ⑭ Remove instrument panel and pads.



★ : Instrument panel assembly mounting bolts and nuts

INSTRUMENT PANEL



GI
MA
EM
LC
EF &
EC
FE
AT
PD
FA
RA
BR
ST
RS
BT
HA
EL
IDX

INTERIOR TRIM

SIDE AND FLOOR TRIM — Passenger room

CAUTION:

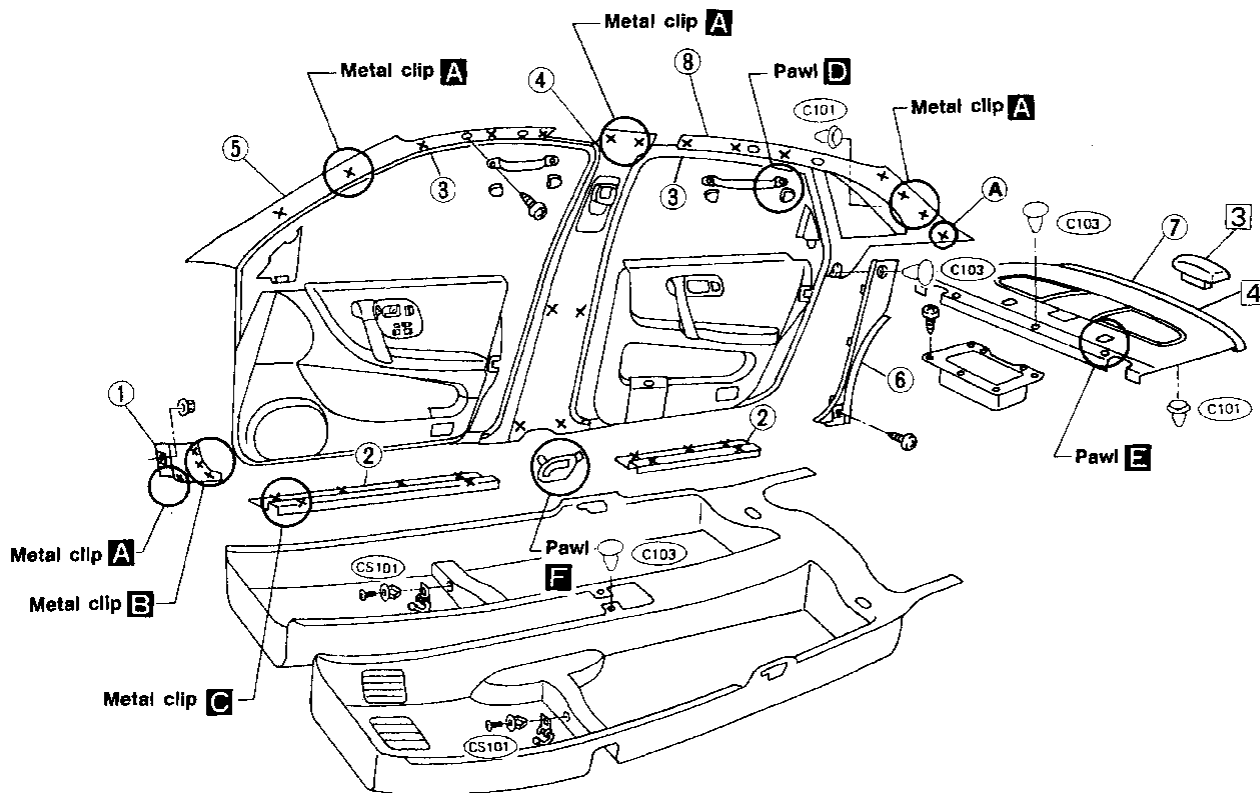
- Be sure to remove front, center and rear pillar garnishes by pulling them straight out. Use a long flat-bladed screwdriver when removing metal clips from rear pillar garnish **(A)**.
- Wrap the tip of flat-bladed screwdriver with a cloth when removing metal clips from garnishes.

REMOVAL — Body side trim

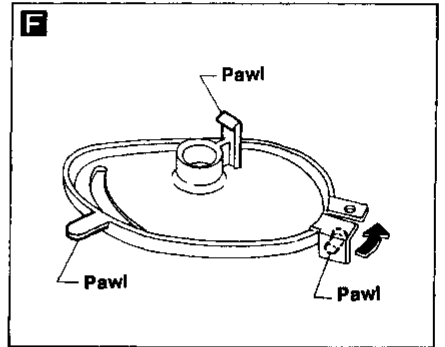
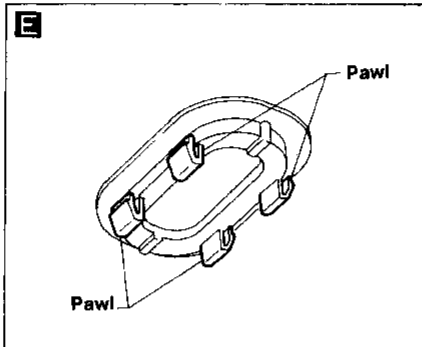
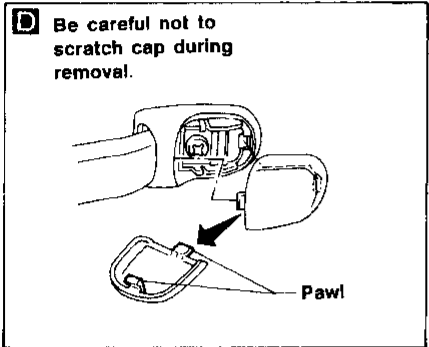
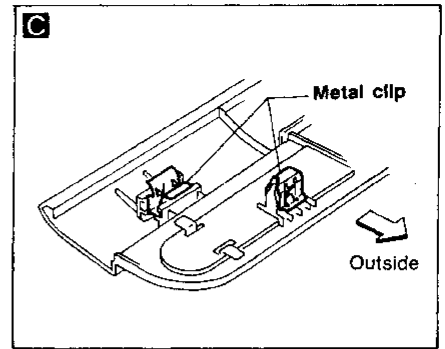
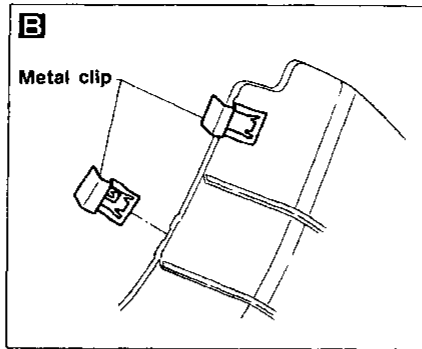
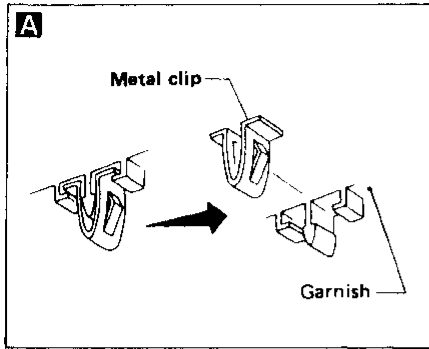
- ① Remove dash side finisher.
- ② Remove front and rear kicking plates.
- ③ Remove front and rear body side welts.
- ④ Remove center pillar garnish.
- ⑤ Remove front pillar garnish.
- ⑥ Remove rear wheelhouse garnish.
- ⑦ Remove rear parcel shelf.
- ⑧ Remove rear pillar finisher.

REMOVAL — Rear parcel shelf finisher

- ① Remove rear seat cushion. Refer to "SEAT" for details (BT-24).
- ② Remove rear seatback. Refer to "SEAT" for details (BT-24).
- ③ Remove high-mount stop lamp assembly. (Not equipped with rear air spoiler model)
- ④ Remove rear parcel shelf finisher.



INTERIOR TRIM



GI

MA

EM

LC

EF &
EC

FE

AT

PD

FA

RA

BR

ST

RS

BT

HA

EL

IDX

ROOF TRIM

CAUTION:

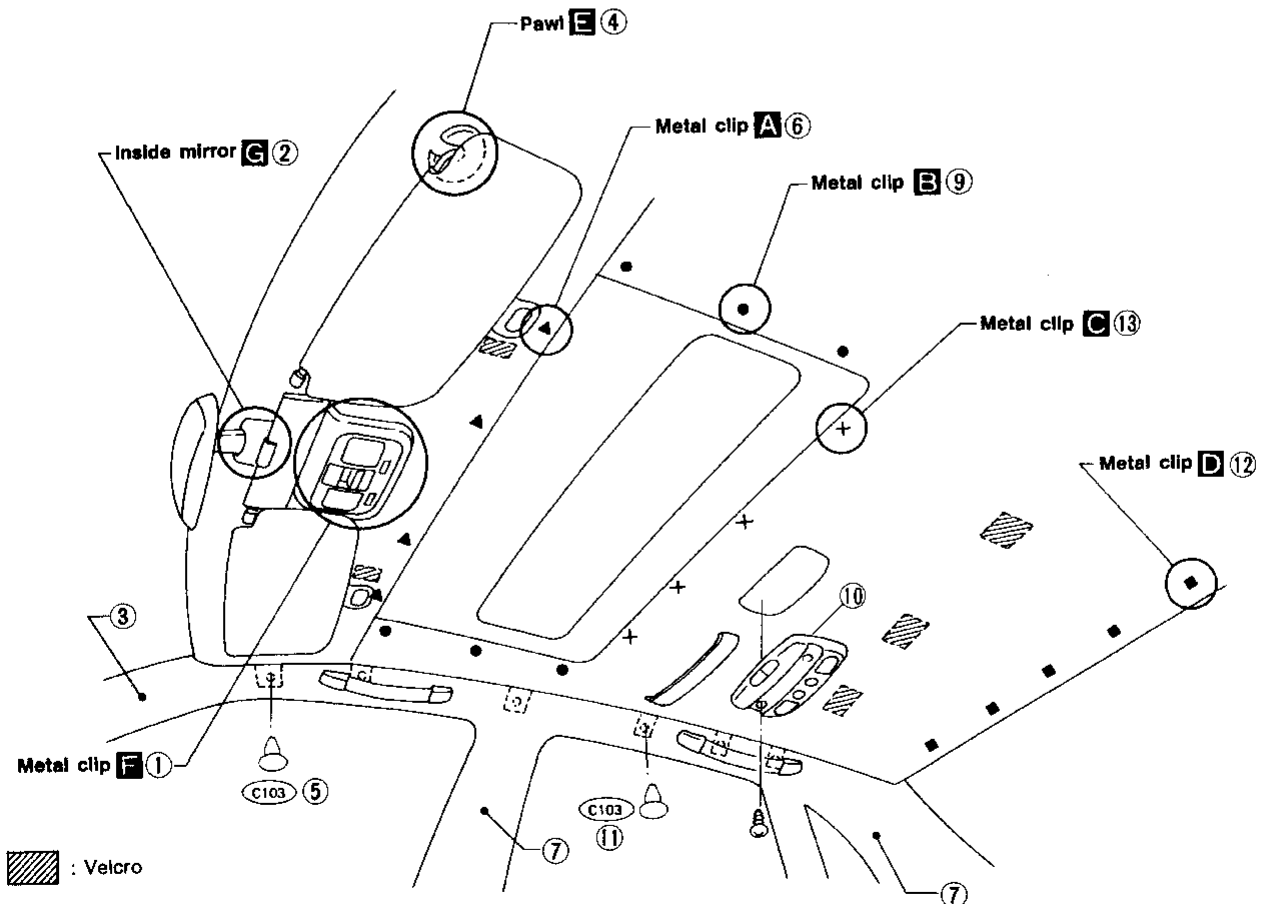
Front garnish is heavy. Always support each side of sun visor firmly when removing or installing front garnish.

REMOVAL — Front roof garnish

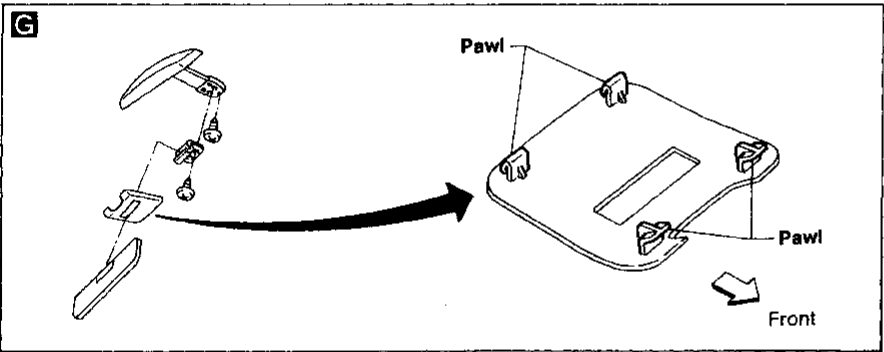
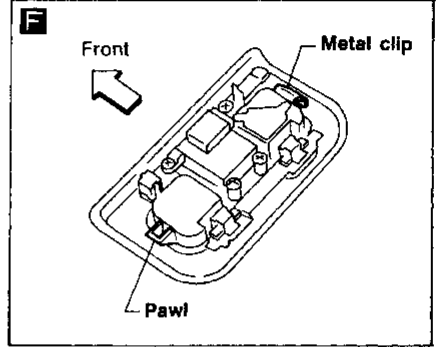
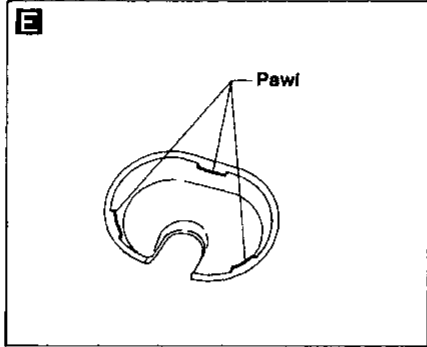
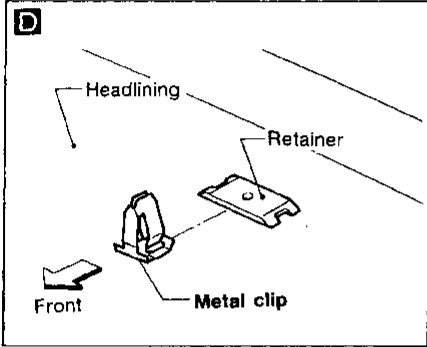
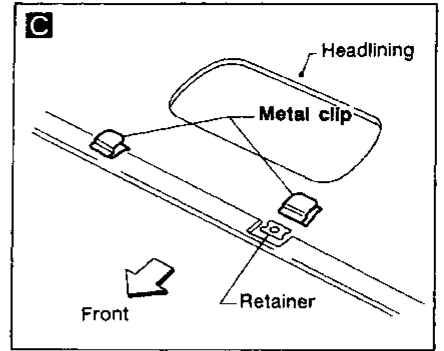
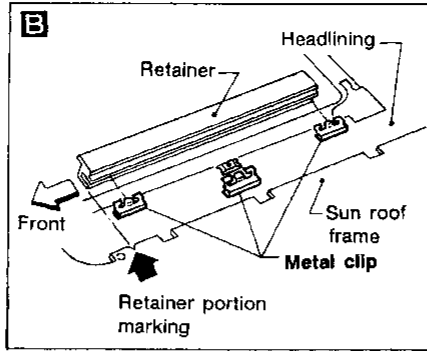
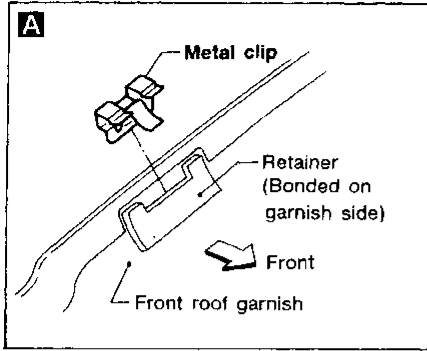
- ① Remove sun roof control switch assembly.
- ② Remove inside mirror assembly.
- Remove metal clip from rear of front garnish by pulling it toward rear of vehicle.
- ③ Remove front pillar garnish. Refer to "SIDE AND FLOOR TRIM — Passenger room" for details (BT-12).
- ④ Remove three screws securing each sun visor.
- ⑤ Remove the clip (C103) from each front roof garnish.
- ⑥ While pulling front roof garnish backward, remove the metal clip from roof panel. Disconnect sun visor harness connector.

REMOVAL — Headlining

- ⑦ Remove body side trim. Refer to "SIDE AND FLOOR TRIM — Passenger room" for details (BT-12).
- ⑧ Remove front roof garnish. Refer to "REMOVAL — Front roof garnish" for details.
- ⑨ Remove side headlining retainers from sun roof opening.
- ⑩ Remove interior lamp assembly.
- ⑪ Remove clips (C103) securing each side of headlining.
- Remove retainer from sun roof side.
- Remove rear metal clip by pulling it straight down.
- Remove metal clip from rear of sun roof by pulling it toward front of vehicle.
- ⑫ Remove metal clips securing rear of headlining. Lower headlining.
- ⑬ While moving entire headlining forward, remove four metal clips at rear of sun roof opening.



INTERIOR TRIM



GI
MA
EM
LC
EF &
EC
FE
AT
PD
FA
RA
BR
ST
RS
BT
HA
EL
IDX

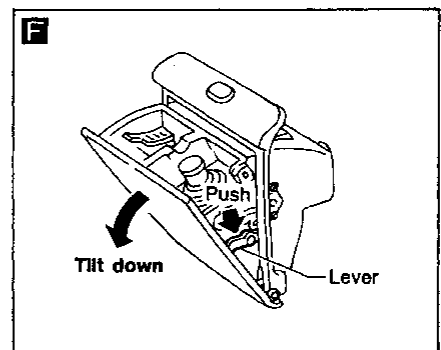
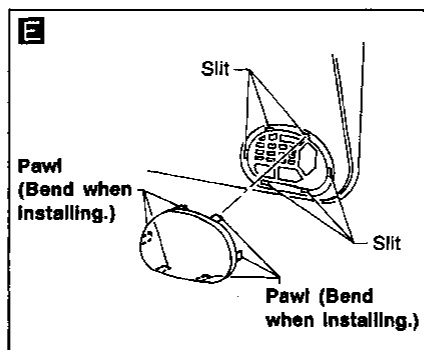
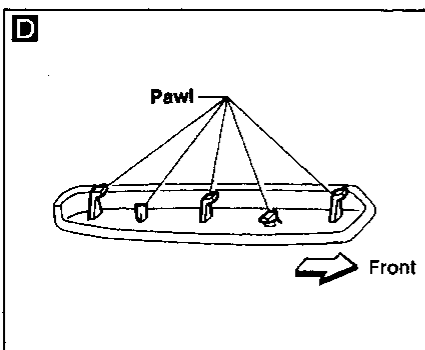
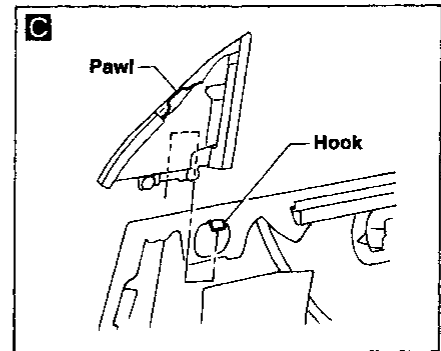
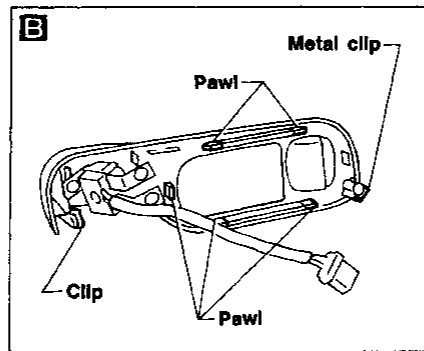
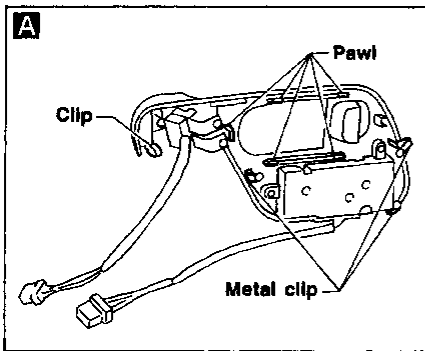
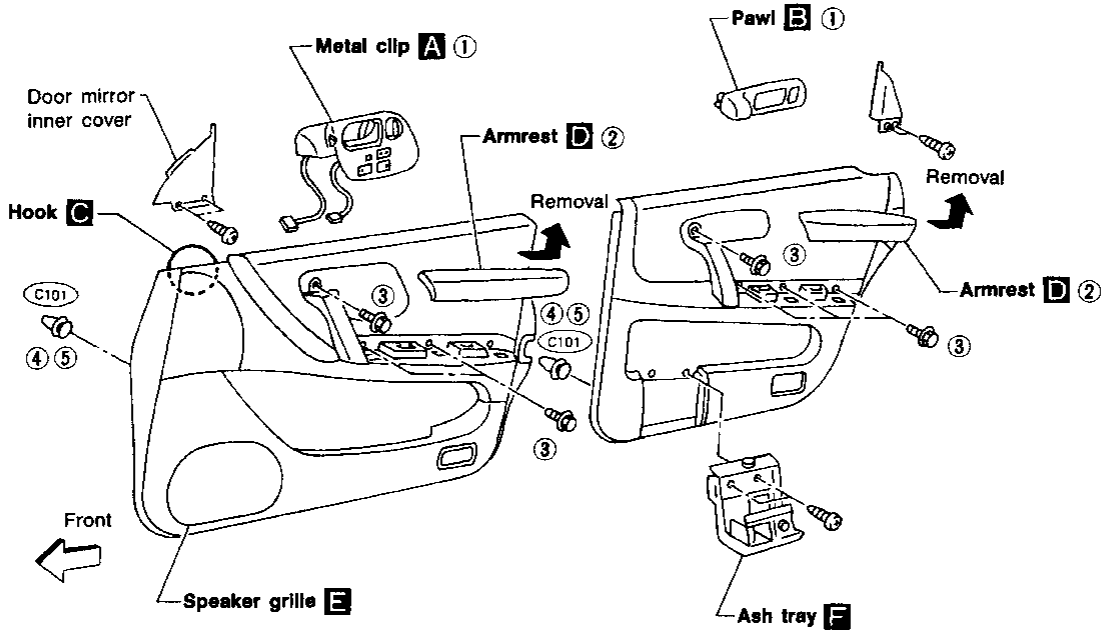
INTERIOR TRIM

DOOR TRIM

REMOVAL — Door trim

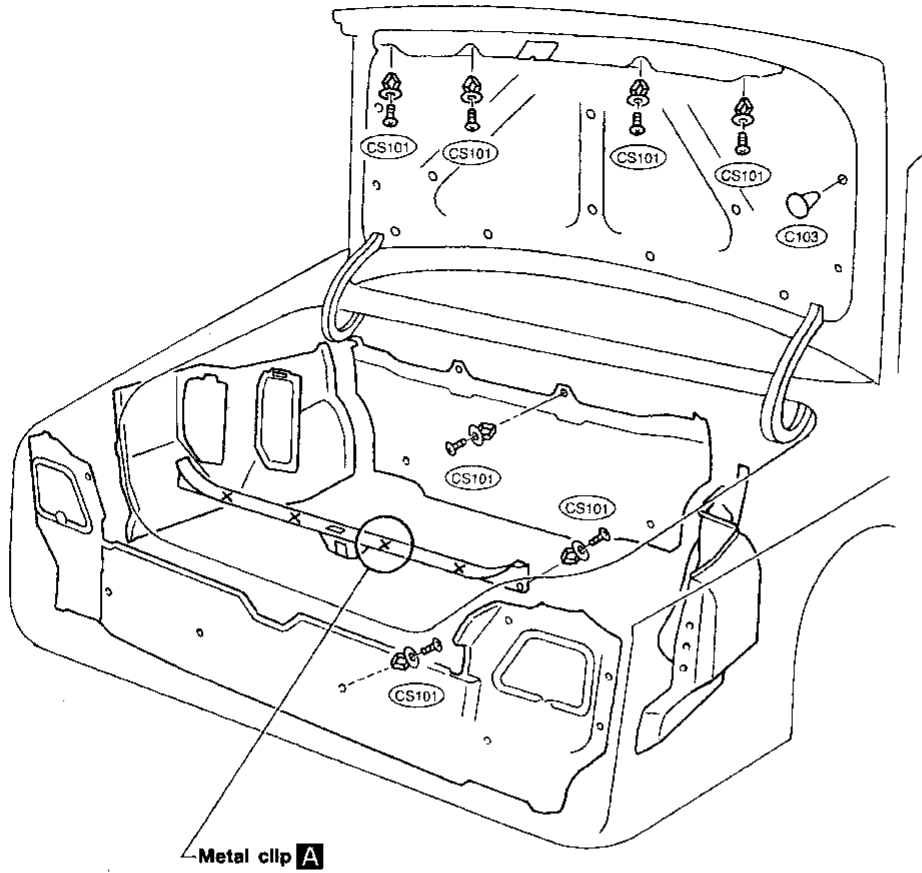
- ① Remove inside handle escutcheon.
- ② Remove door armrest by pulling it backward.
- ③ Remove four bolts.
- ④ Remove clips securing door finisher.
- ⑤ Lift out door finisher. Disconnect main and door harnesses.

Remove ash tray before detaching rear door trim.

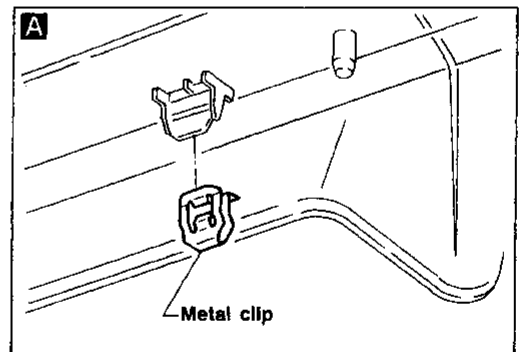


INTERIOR TRIM

TRUNK ROOM TRIM



Metal clip **A**



MBT044A

GI

MA

EM

LC

EF &
EC

FE

AT

PD

FA

RA

BR

ST

RS

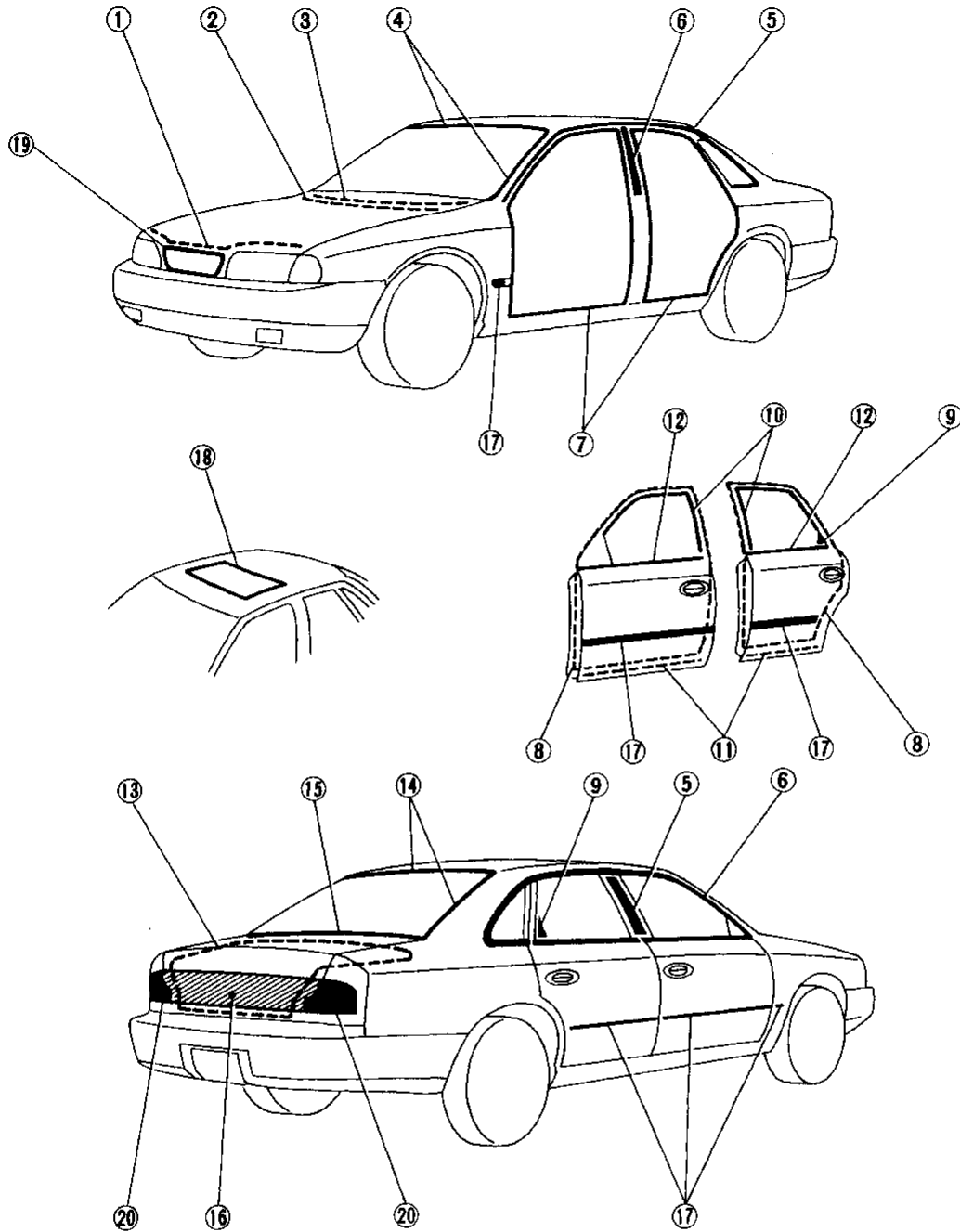
BT

HA

EL

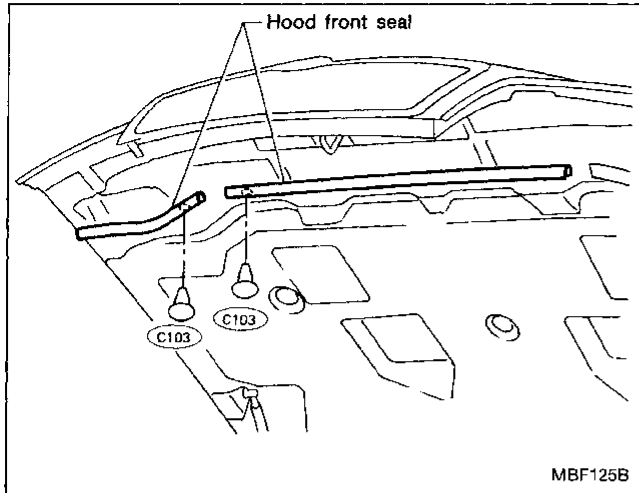
IDX

EXTERIOR TRIM

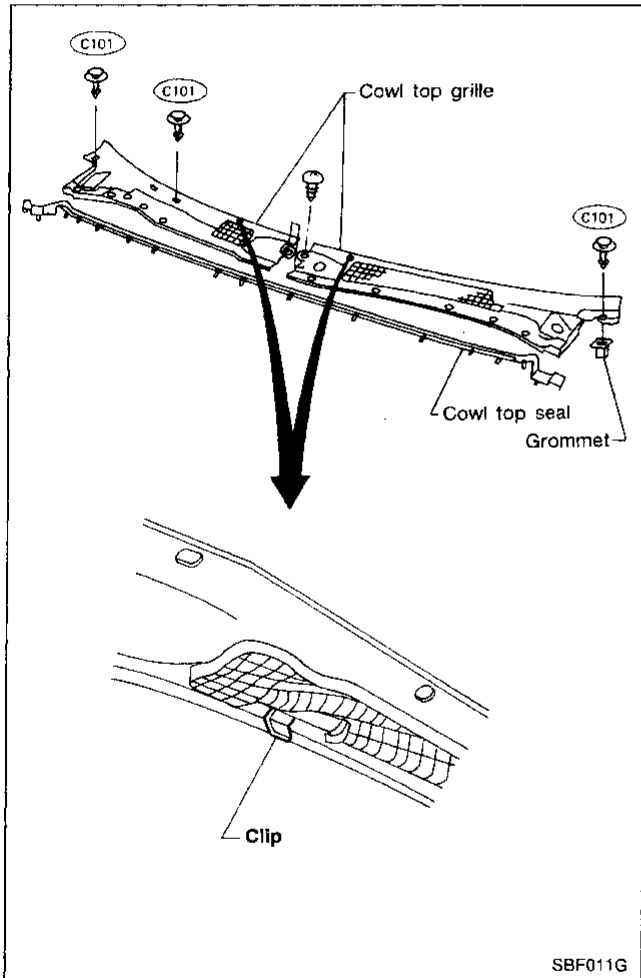


MBF124B

① Hood front seal



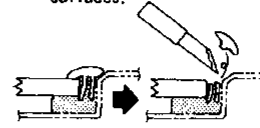
② ③ Cowl top seal and cowl top grille



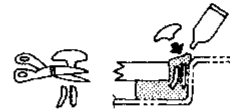
④ Windshield upper molding and side molding

Method 1

Cut off top portion of molding and clean glass and panel surfaces.



Apply sealant to top portion of molding.



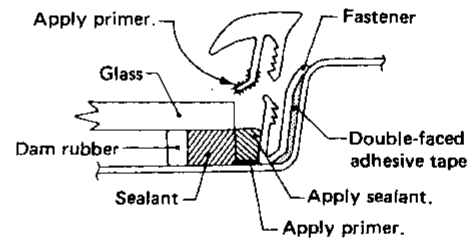
Cut off lower portion of new molding.



Finish well to give it a good appearance.

Method 2

1. Cut off sealant at glass end.
2. Clean the side on which panel was mounted.
3. Set molding fastener and apply sealant to body panel, and apply primer to molding and body.



4. Install molding by aligning the molding mark located on center with vehicle center. Be sure to install tightly so that there is no gap around the corner.

SBF161E

GI

MA

EM

LC

EF &
EC

FE

AT

PD

FA

RA

BR

ST

RS

BT

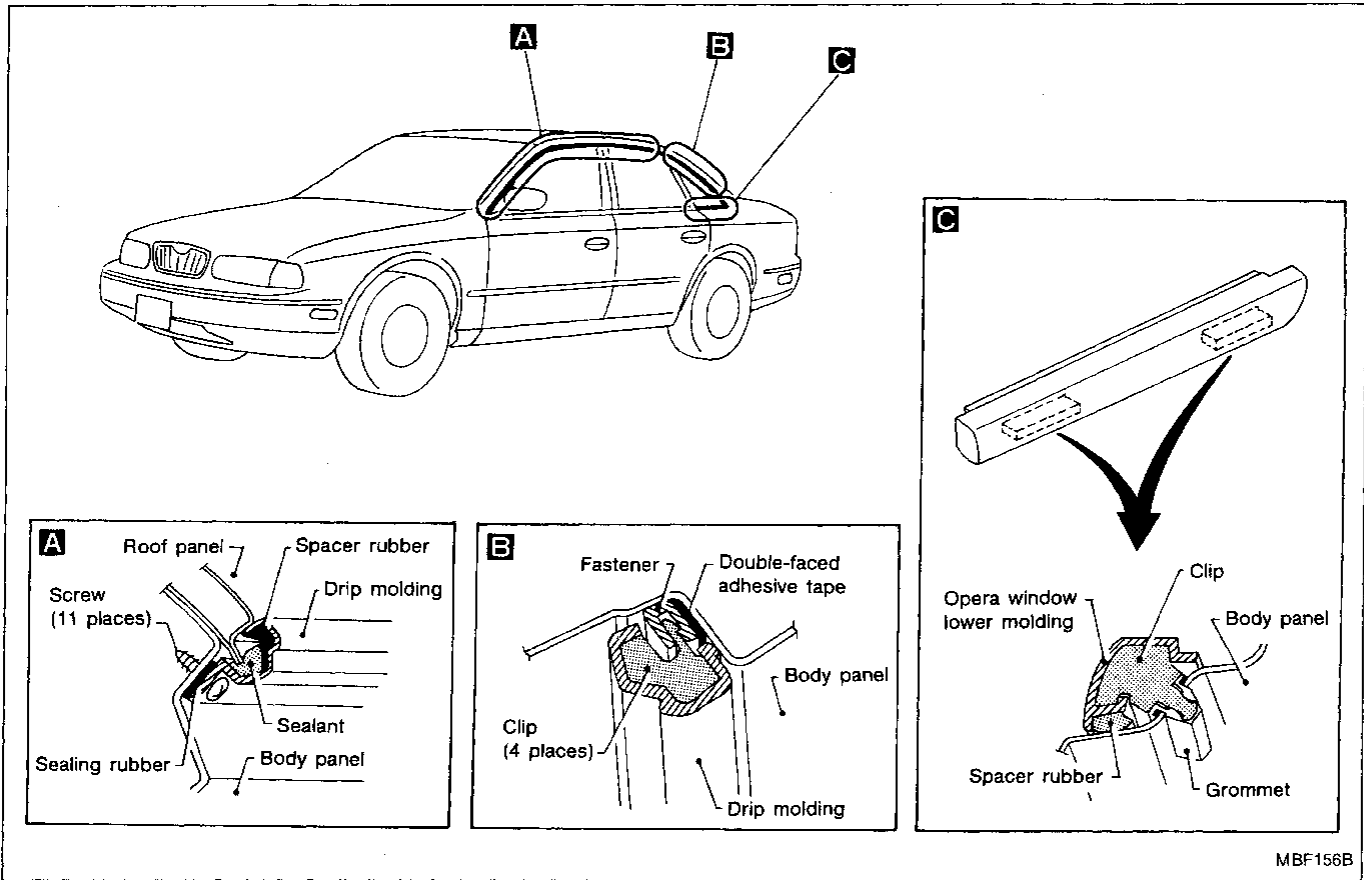
HA

EL

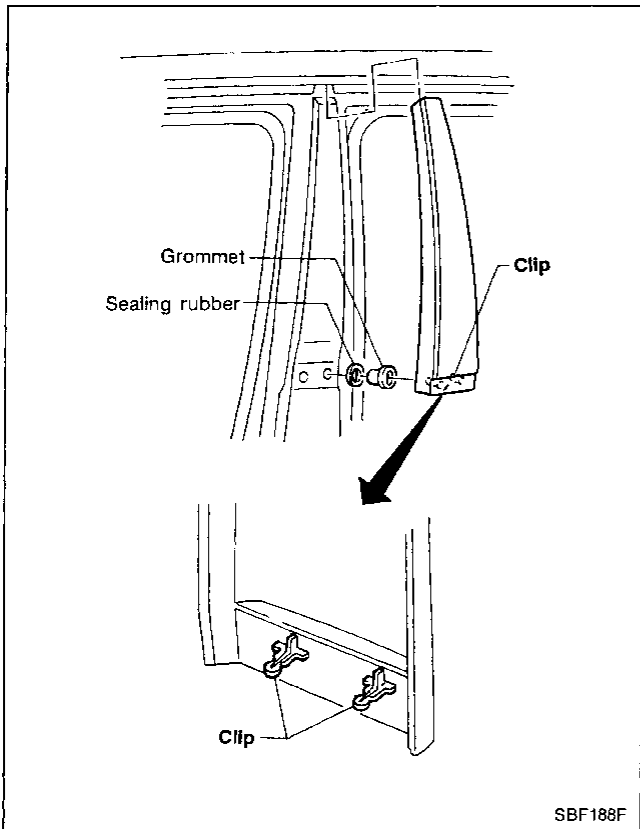
IDX

EXTERIOR TRIM

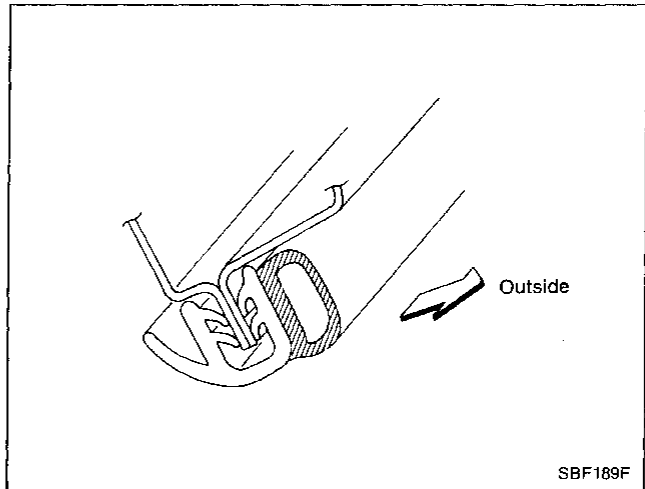
⑤ Drip molding and opera window lower molding



⑥ Center pillar cover

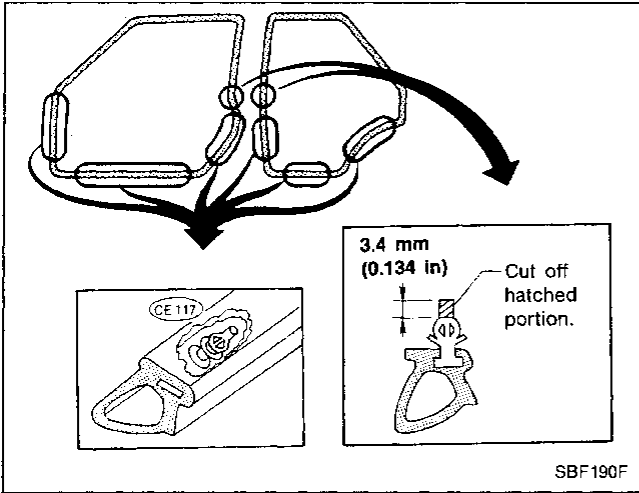


⑦ Body side welt

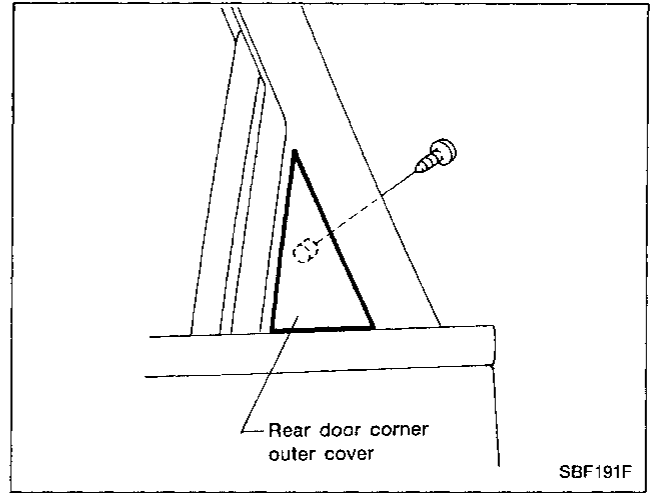


EXTERIOR TRIM

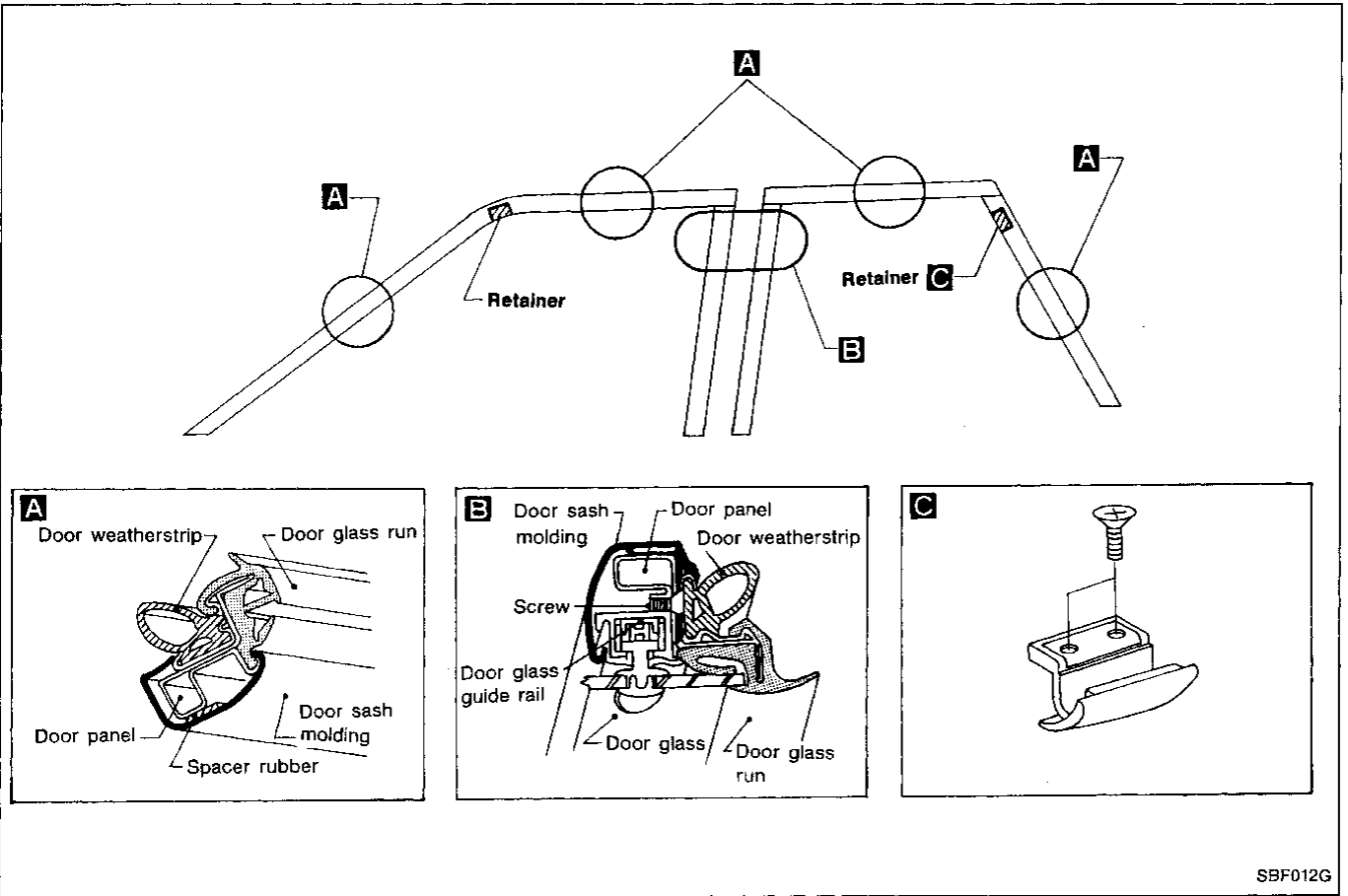
8 Door weatherstrip



9 Rear door corner outer cover



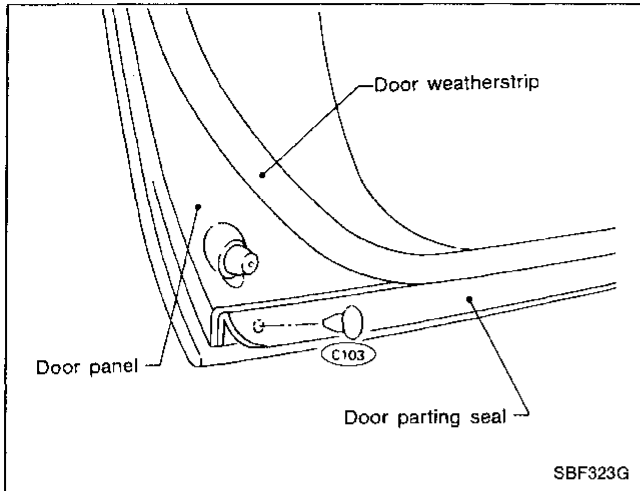
10 Door sash molding



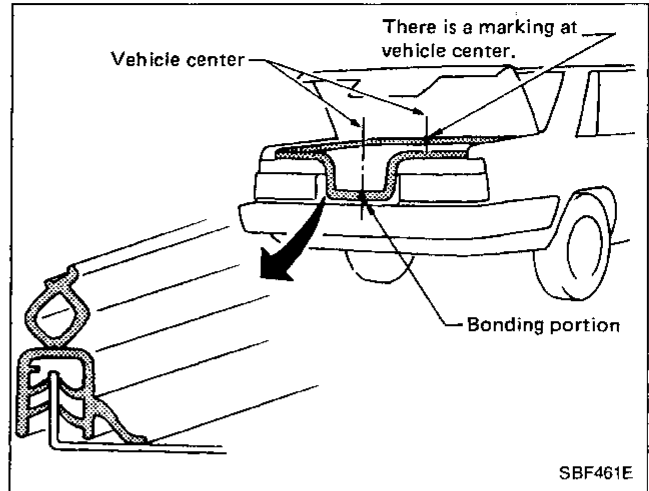
CI
MA
EM
LC
EF &
EC
FE
AT
PD
FA
RA
BR
ST
RS
BT
HA
EL
IDX

EXTERIOR TRIM

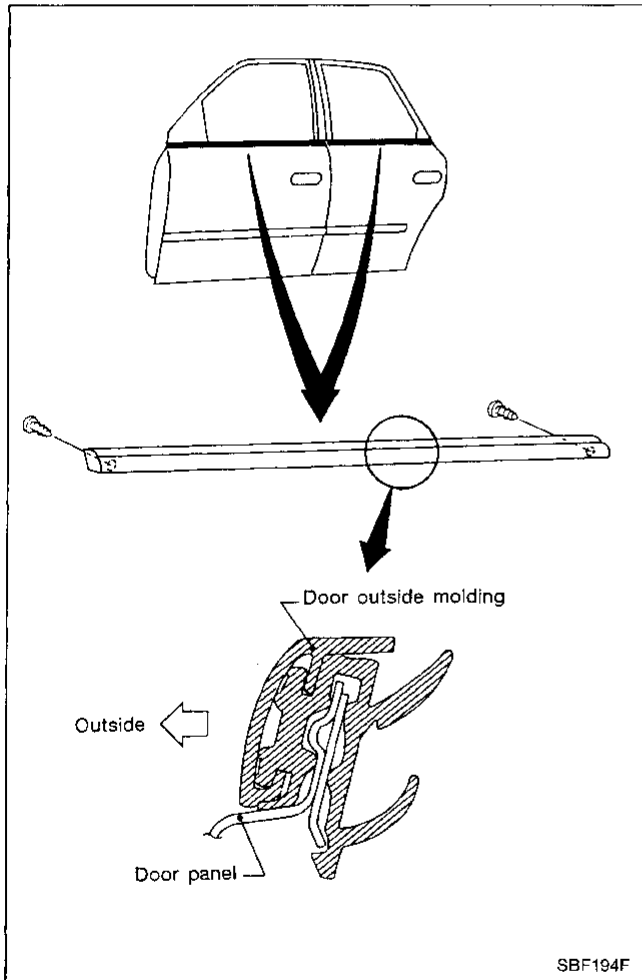
11 Door parting seal



13 Trunk lid weatherstrip



12 Door outside molding



14 Rear window upper molding and side molding

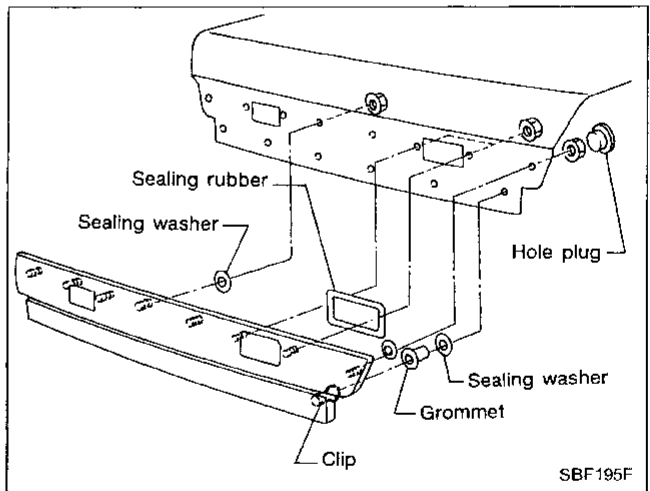
Basically the same as windshield upper molding and side molding.

Refer to 4 Windshield upper molding and side molding.

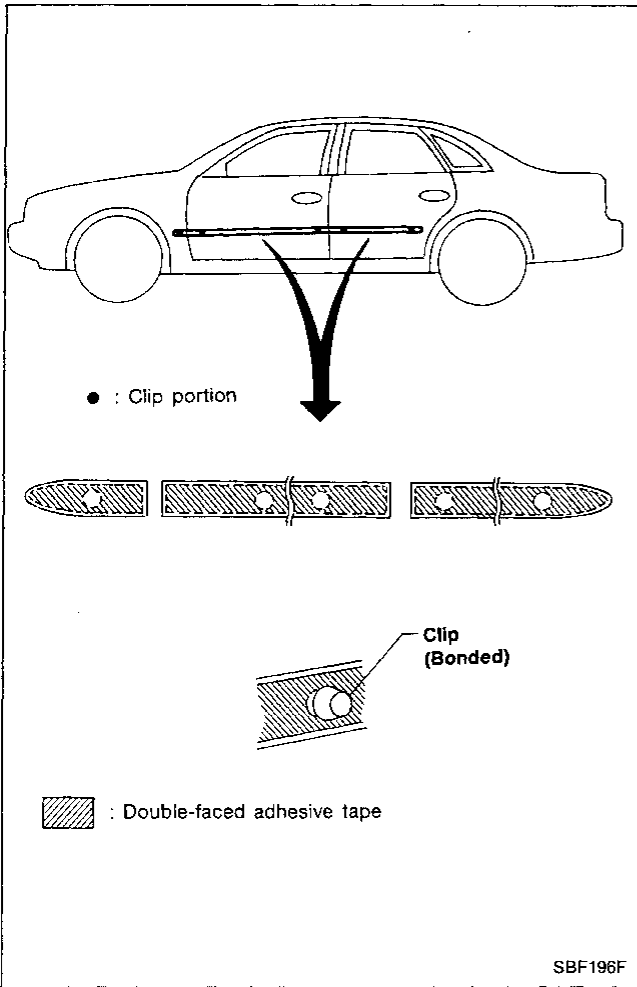
15 Rear window lower molding

Mounted with screws.

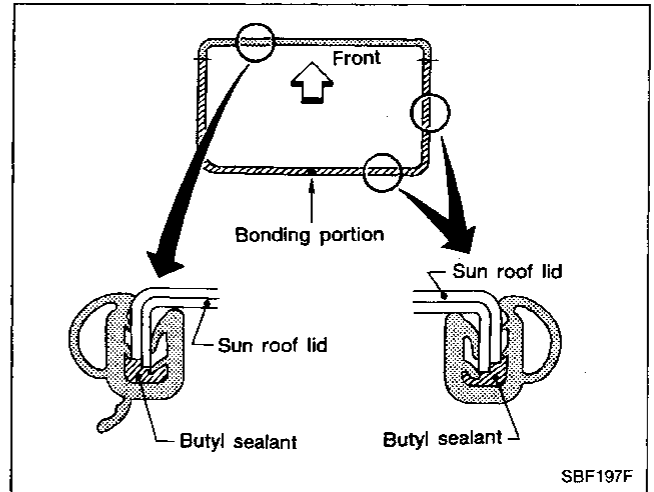
16 Trunk lid finisher



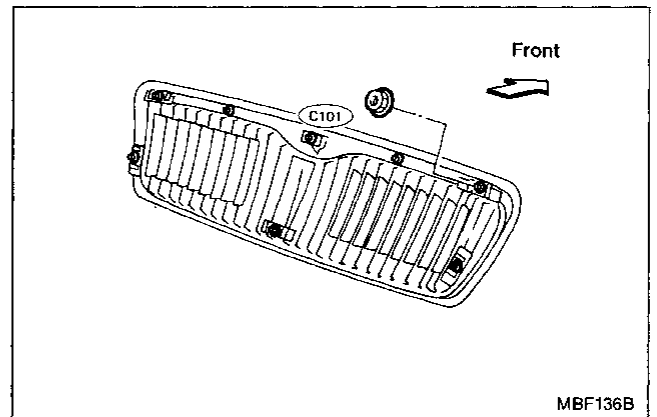
17 Side guard molding



18 Sun roof weatherstrip

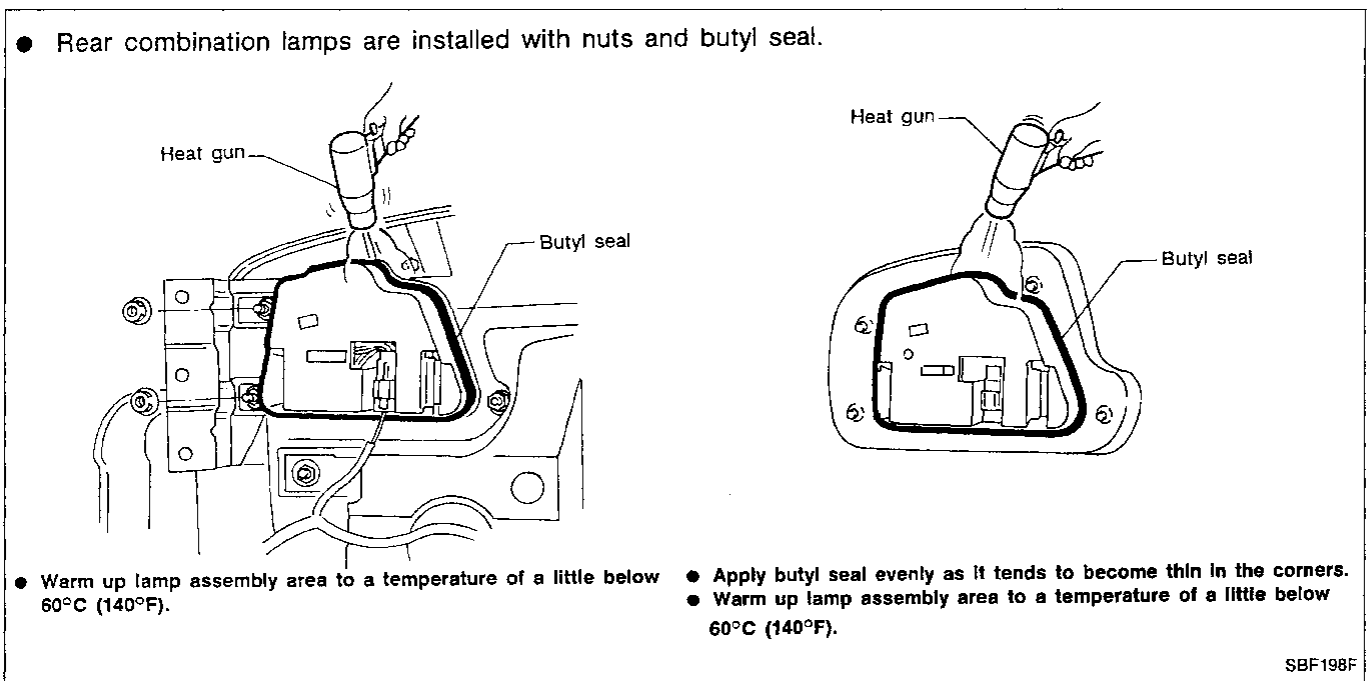


19 Front hood grille



20 Rear combination lamp

- Rear combination lamps are installed with nuts and butyl seal.

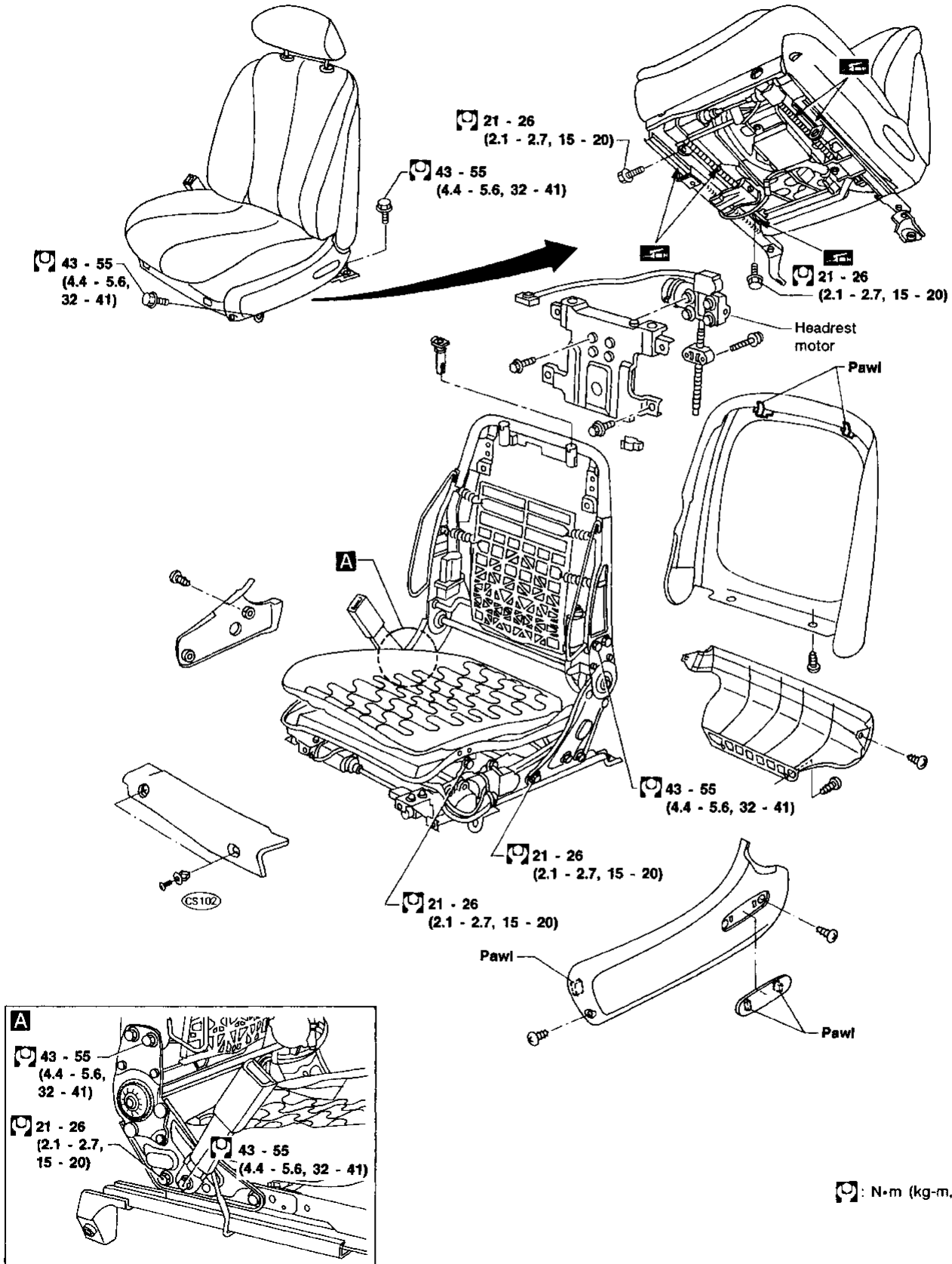


GI
VA
EM
LC
EF & EC
FE
AT
PD
FA
RA
BR
ST
RS
BT
HA
EL
IDX

SEAT

- When removing or installing the seat trim, carefully handle it to keep dirt out and avoid damage.

Front Seat

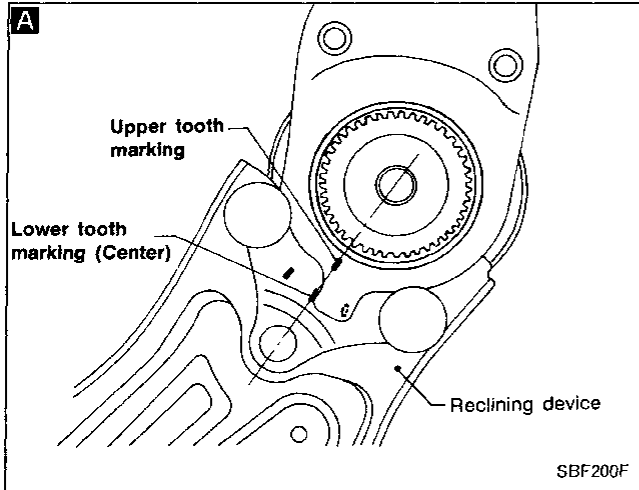


MBF126B

Front Seat (Cont'd)

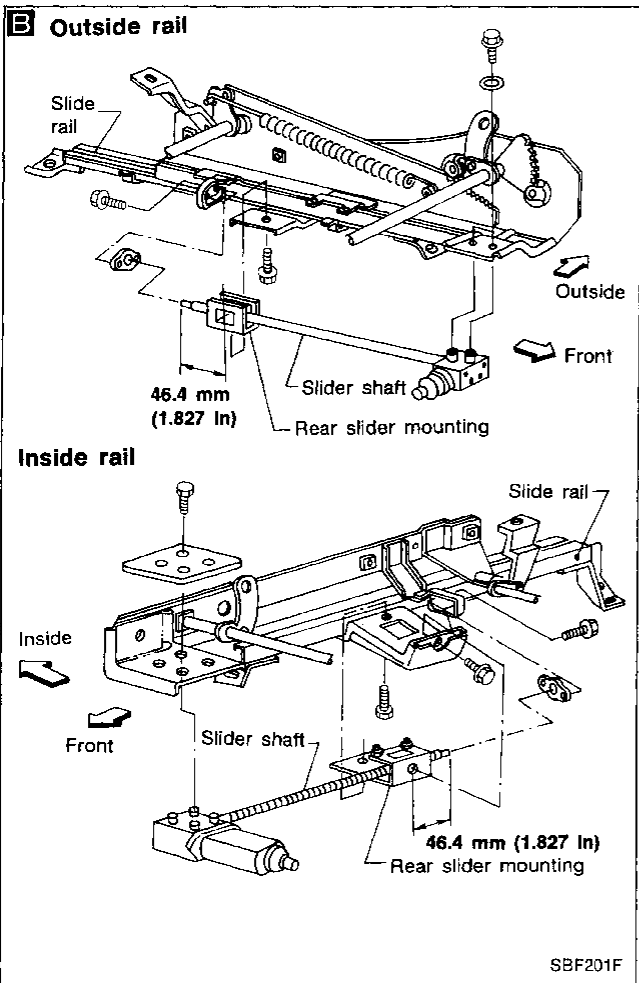
POWER SEAT MOTOR INSTALLATION

- Disconnect ground cable from battery while installing motors.
- Check that all motors function properly after installation.
- Check that trim and padding are removed from driver's seat.
- Install motors on passenger's seat side using the same procedures outlined from the driver's seat side.



A Reclining motor

1. Align upper toe mark on outside reclining device with lower toe mark on inside reclining device.
2. Install reclining motor.



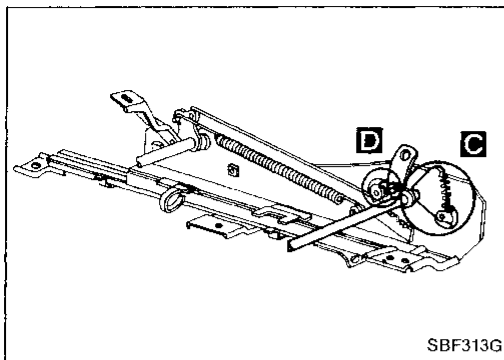
B Sliding motor

1. Move both inside and outside slide rails to the rear-end position. (Seat assembly is then set at the front-end position.)
2. Adjust distance between rear end of slider shaft and the center of rear slider mounting to 46.4 mm (1.827 in).
3. Install sliding assembly and sliding motor.

GI
MA
EM
LC
EF &
EC
FE
AT
PD
FA
RA
BR
ST
RS
BT
HA
EL
IDX

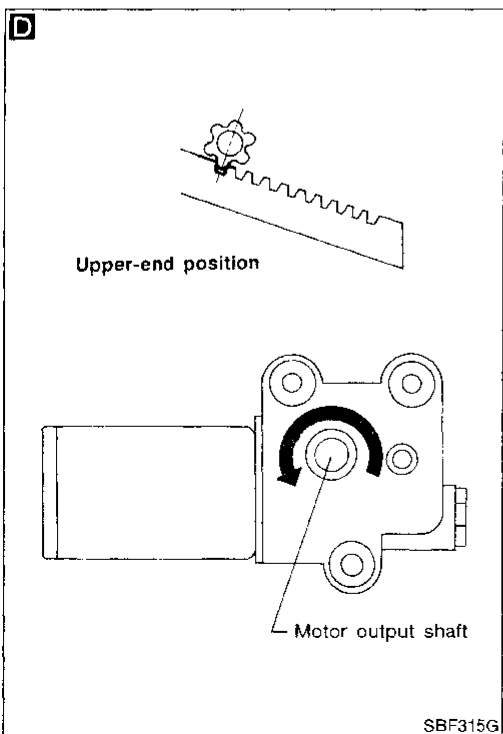
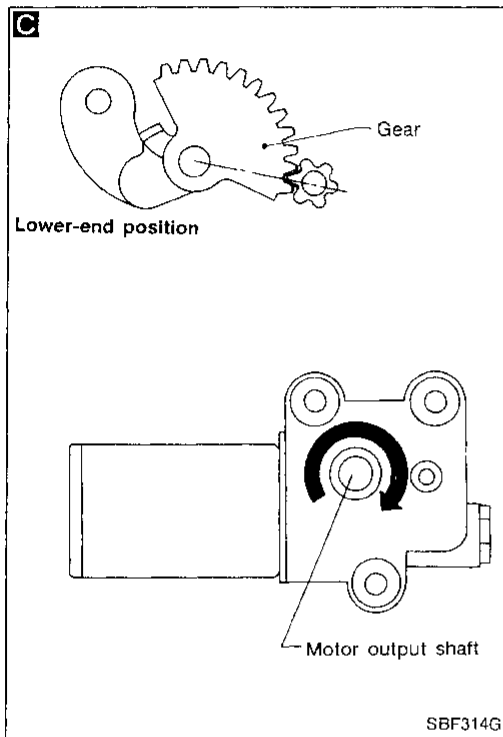
SEAT

Front Seat (Cont'd)



C Front lifting motor (Driver's side only)

1. Set front lifter to the lower-end position.
2. Connect motor assembly connector to power seat harness connector. (At this point, motor assembly is not installed on seat.)
3. Connect power seat harness connector to main harness connector.
4. Connect battery ground terminal. Set power seat switch so that front lifter move in the lower direction.
5. Lifting motor rotates in direction shown by arrow until it stops automatically at limit switch.
6. Disconnect battery ground terminal. Install front lifting motor.



D Rear lifting motor (Driver's side only)

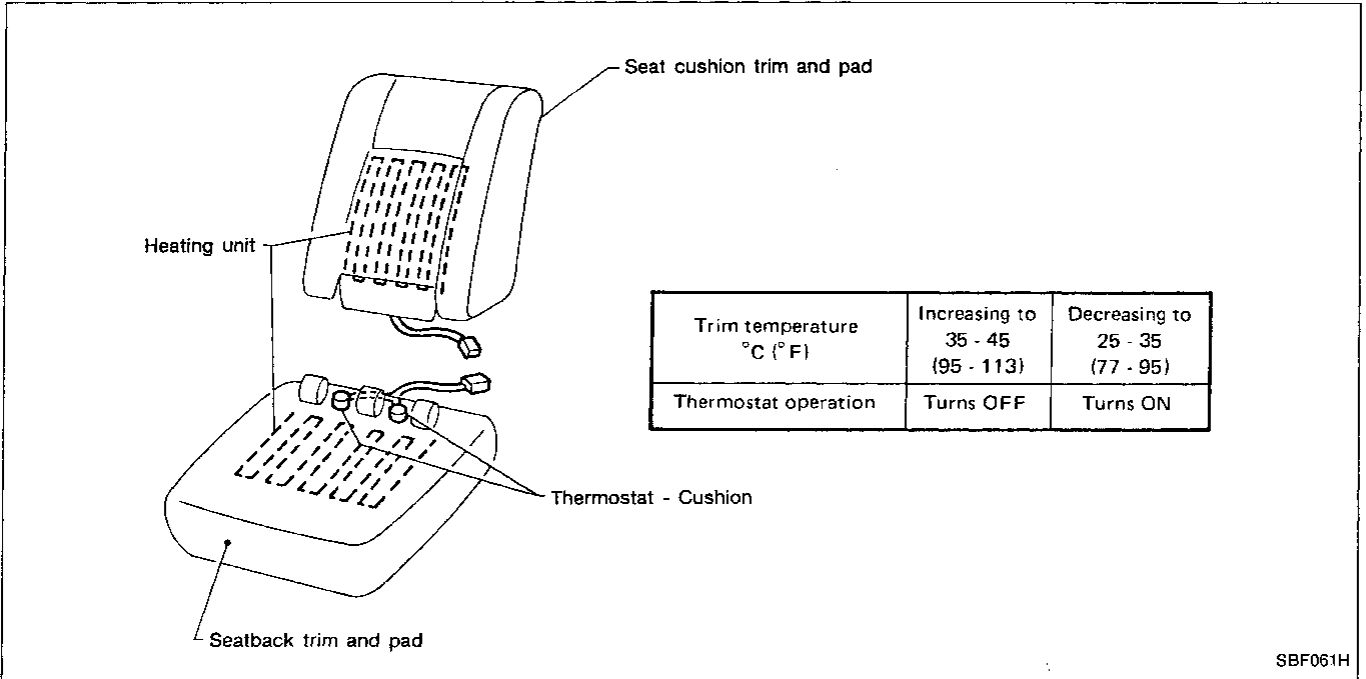
1. Move rear lifter to the upper-end position. (Spring will set rear lifter at this position.)
2. Connect motor assembly connector to power seat harness connector. (At this point, motor assembly is not installed on seat.)
3. Connect power seat harness connector to main harness connector.
4. Connect battery ground terminal. Set power seat switch so that rear lifter moves in the upper direction.
5. Motor rotates in direction shown by arrow and stops automatically at limit switch.
6. Disconnect battery ground terminal. Install front lifting motor.

SEAT

Front Seat (Cont'd)

HEATED SEAT

- Heating unit is fixed to seat pad with double-faced adhesive tape. When handling seat, be extremely careful not to scratch heating unit.
- To replace heating unit, seat trim and pad should be separated.
- Do not use any organic solvent, such as thinner, benzene, alcohol, gasoline, etc. to clean trims.

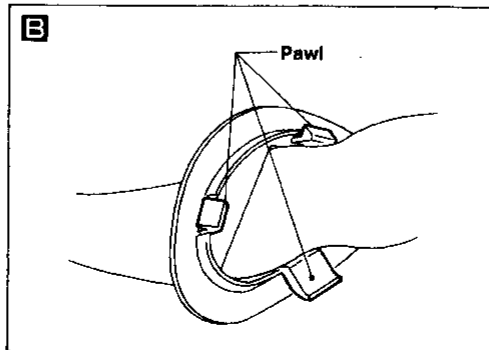
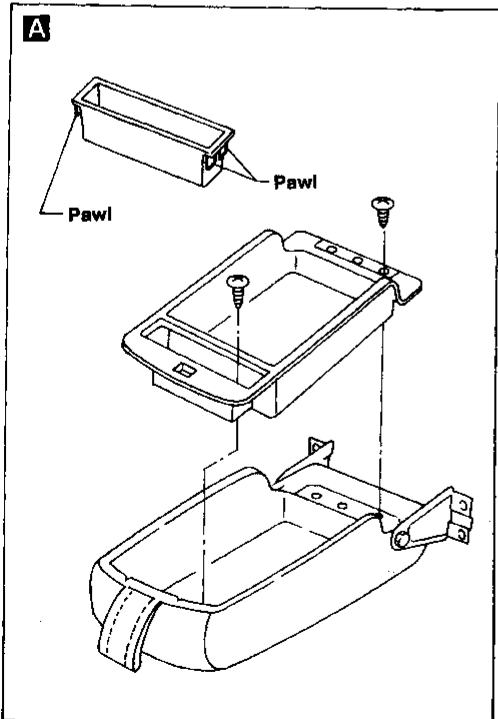
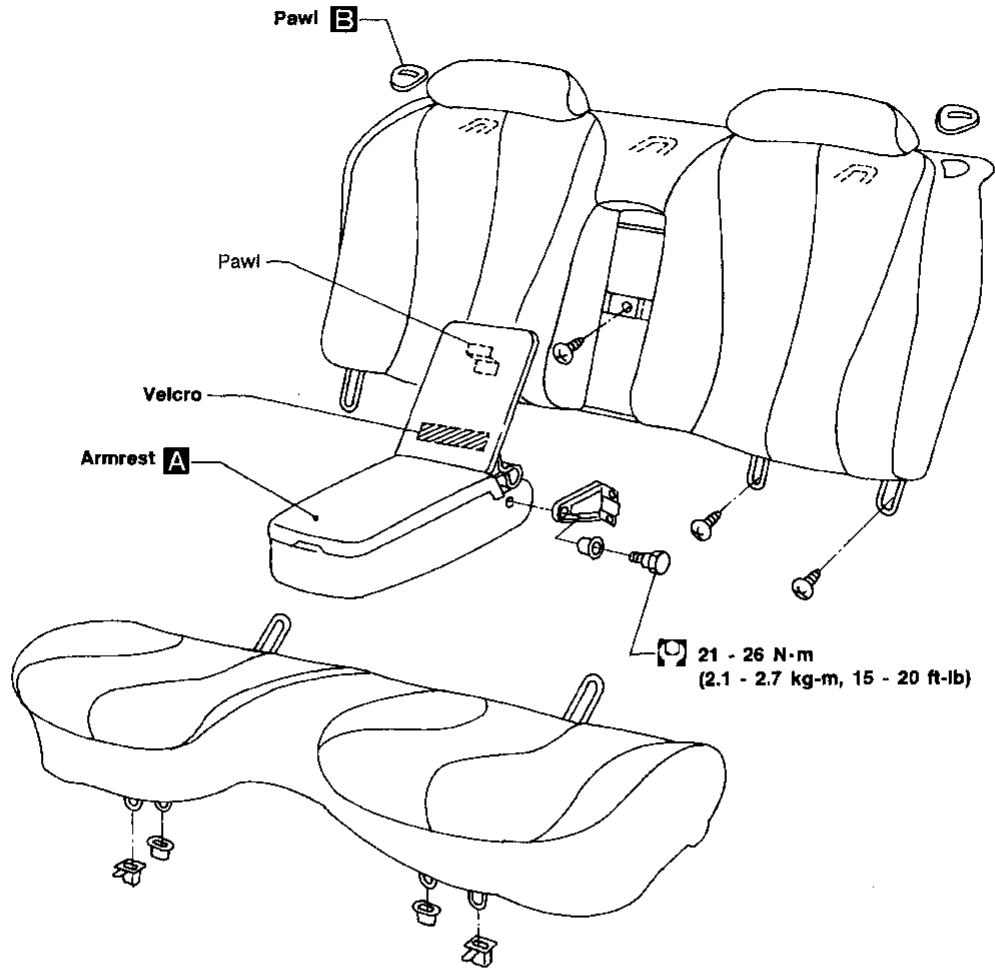


★ For Wiring Diagram, refer to "HEATED SEAT" in EL section.

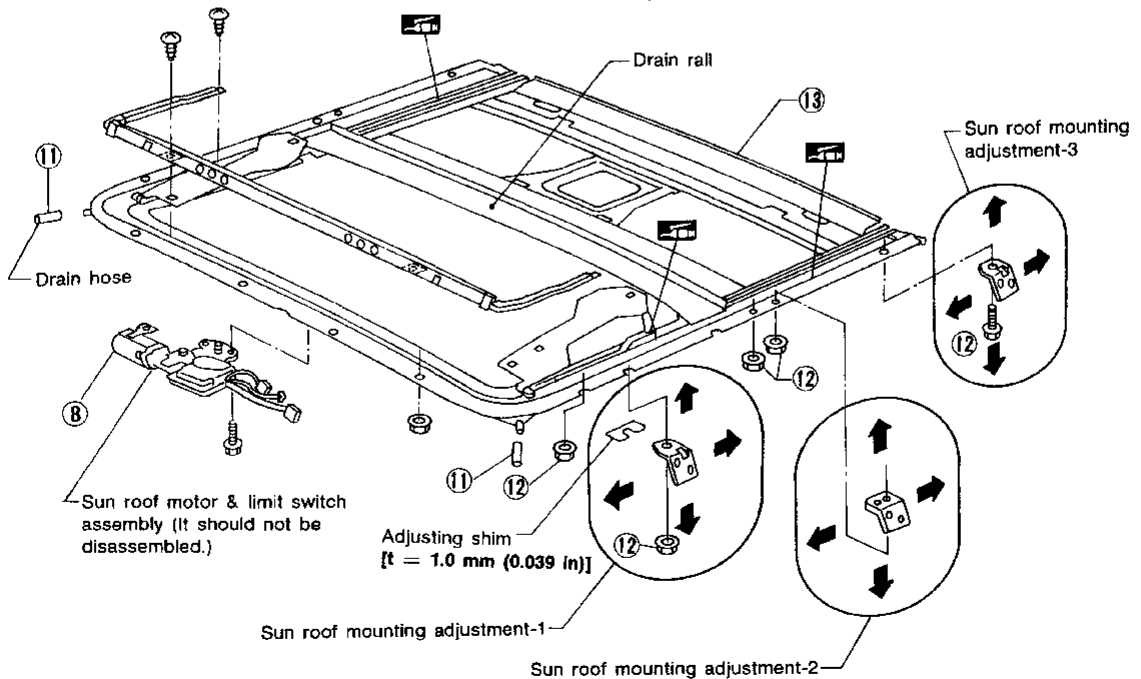
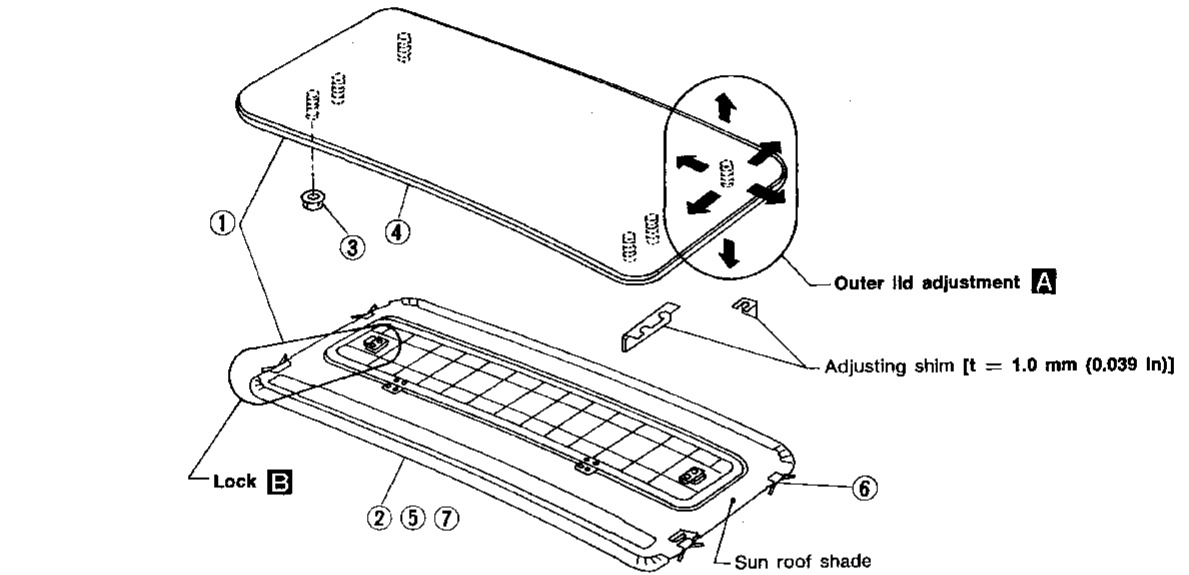
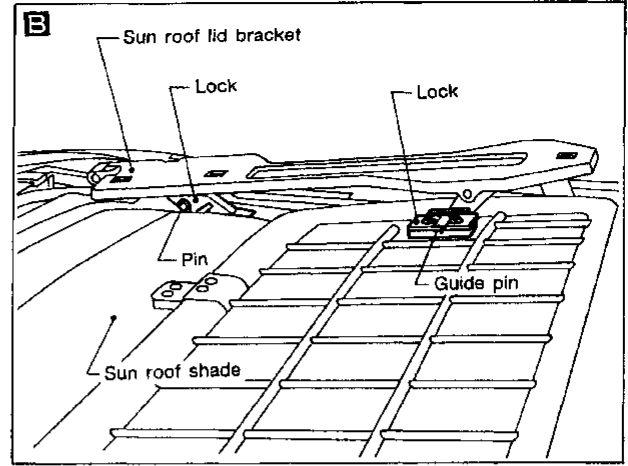
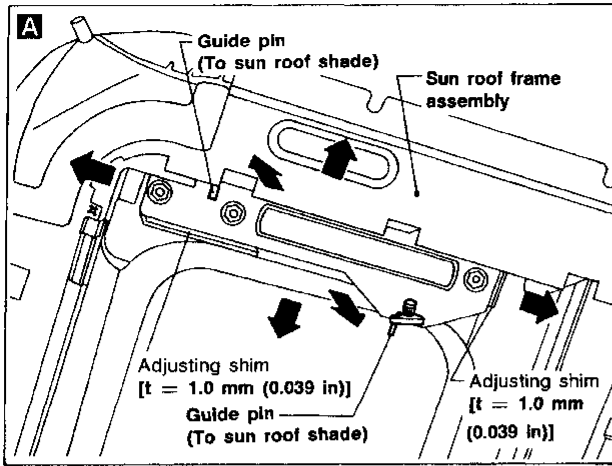
GI
MA
EM
LC
EF &
EC
FE
AT
PD
FA
RA
BR
ST
RS
BT
HA
EL
DX

SEAT

Rear Seat



SUN ROOF



GI
MA
EM
LC
EF &
EC
FE
AT
PD
FA
RA
BR
ST
RS
BT
HA
EL
IDX

SUN ROOF

★ For Wiring Diagram, refer to "ELECTRIC SUN ROOF" in EL section.

- After any adjustment, check sun roof operation and lid alignment.
- Handle finisher plate and glass lid with care so not to damage it.
- It is desirable for easy installation to mark each point before removal.

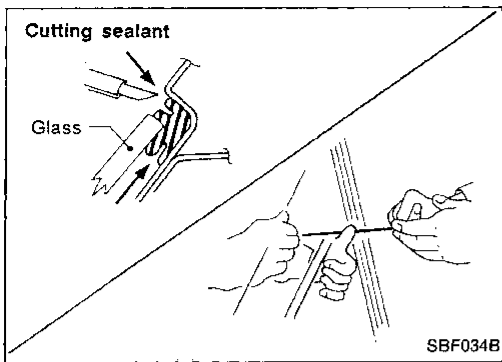
CAUTION:

- Always work with a helper.
- Remove sun roof frame from rear door opening.

REMOVAL — Sun roof assembly

- ① Open sun roof lid to approximately 2/3 of full-open position. Remove locks and pins through clearance between sun roof lid and sun roof shade.
- ② Push in sun roof shade backward so that sun roof is held closed.
- ③ Close sun roof lid, and remove six nuts from back of sun roof lid.
- ④ Lift out sun roof away from roof.
- ⑤ Pull sun roof shade forward.
- ⑥ Remove four shade locks located beside sun roof shade.
- ⑦ Remove sun roof shade.
- ⑧ Remove sun roof motor assembly.
- ⑨ Remove driver's and passenger's seats. For details, refer to "Front Seat" in "SEAT".
- ⑩ Disconnect interior lamp harness.
- ⑪ Disconnect front and rear drain hoses.
- ⑫ Remove nuts and bolts securing sun roof rails.
- ⑬ Remove sun roof rail assembly.

WINDSHIELD AND WINDOWS



REMOVAL

After removing moldings, remove glass.

CAUTION:

Be careful not to scratch glass when removing.

INSTALLATION

- Use genuine Nissan Sealant kit or equivalent. Follow instructions furnished with it.
- After installing the glass, the vehicle should remain stationary until the sealant hardens.

WARNING:

Keep heat and open flames away as primers are flammable.

CAUTION:

Advise the user of the fact that vehicle should not be driven on rough roads or surfaces until sealant has properly vulcanized.

- Do not use sealant which is past its usable term.
- Do not leave cartridge unattended with its cap open.
- Keep primers and sealant in a cool, dry place. Ideally, they should be stored in a refrigerator.
- Molding must be installed securely so that it is in position and leaves no gap.

Windshield and Rear Window

BODY SIDE

Install spacer to panel.

Windshield

570 (22.44)

Rear window

420 (16.54) Unit: mm (in)

Install molding fastener.
When installing it, heat body panel and fastener to approx. 30 to 40°C (86 to 104°F).

Upper & side molding fasteners

Fastener

Panel

Double-faced adhesive tape

MBF872A

GLASS SIDE

Install dam rubber.

Unit: mm (in)

MBF871A

Apply sealant evenly.
Windshield upper and side, and Rear window

7 - 8 (0.28 - 0.31)

12 - 15 (0.47 - 0.59)

Dam rubber

Glass

Windshield lower

7 - 8 (0.28 - 0.31)

12 - 15 (0.47 - 0.59)

25 (0.98)

60 (2.36)

Dam rubber

Glass

Unit: mm (in)

SBF715G

WINDSHIELD AND WINDOWS

Windshield and Rear Window (Cont'd)

REPAIRING WATER LEAKS FOR WINDSHIELD AND REAR WINDOW

Leaks can be repaired without removing and reinstalling glass.

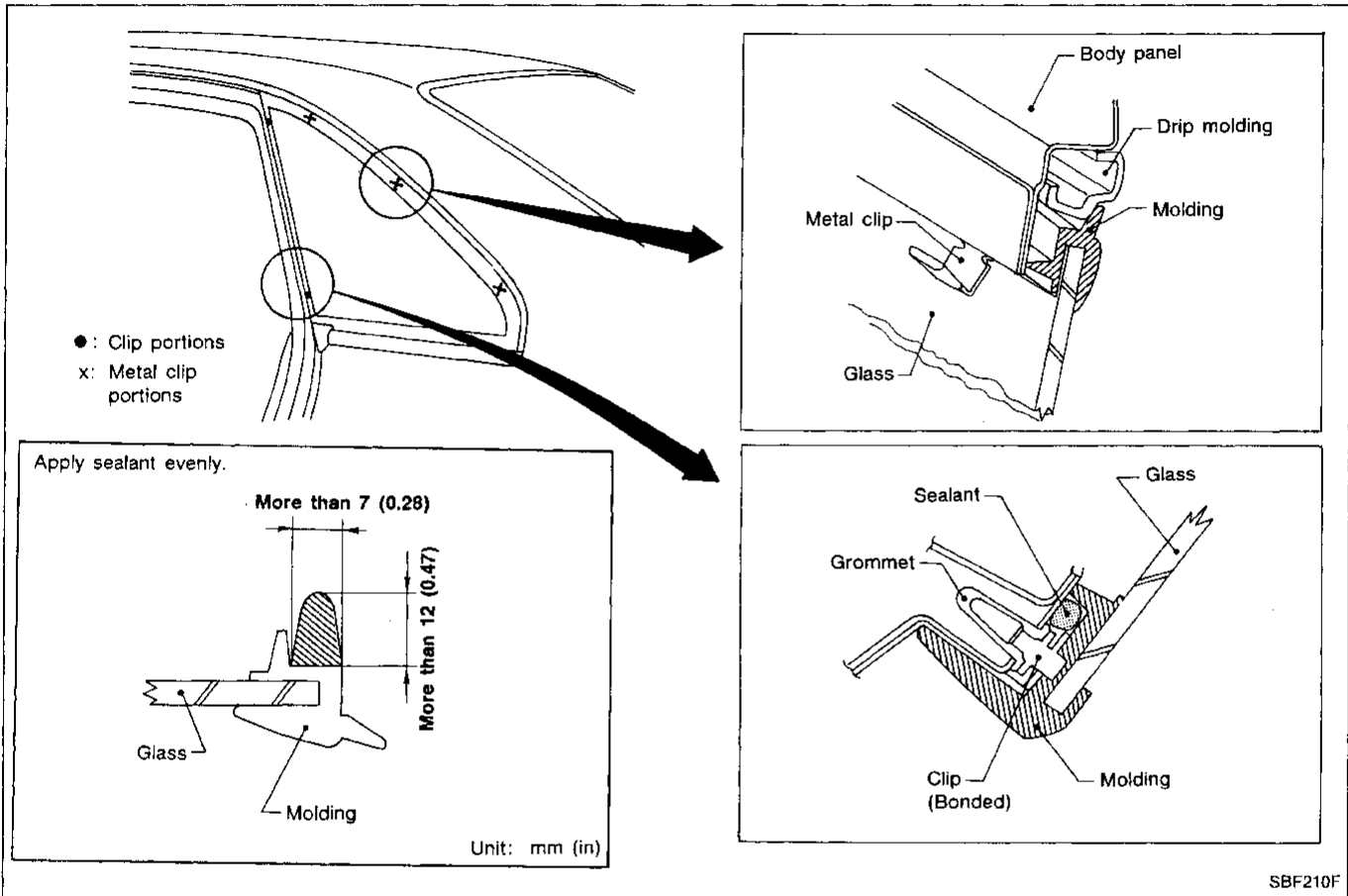
If water is leaking between caulking material and body or glass, determine the extent of the leakage. This can be determined by applying water while pushing glass outward.

To stop the leak, apply primer and then sealant to the leak point.

Opera Window

Molded type window

During removal, be careful not to scratch molding when cutting sealant. If molding is scratched, repair.



DOOR MIRROR

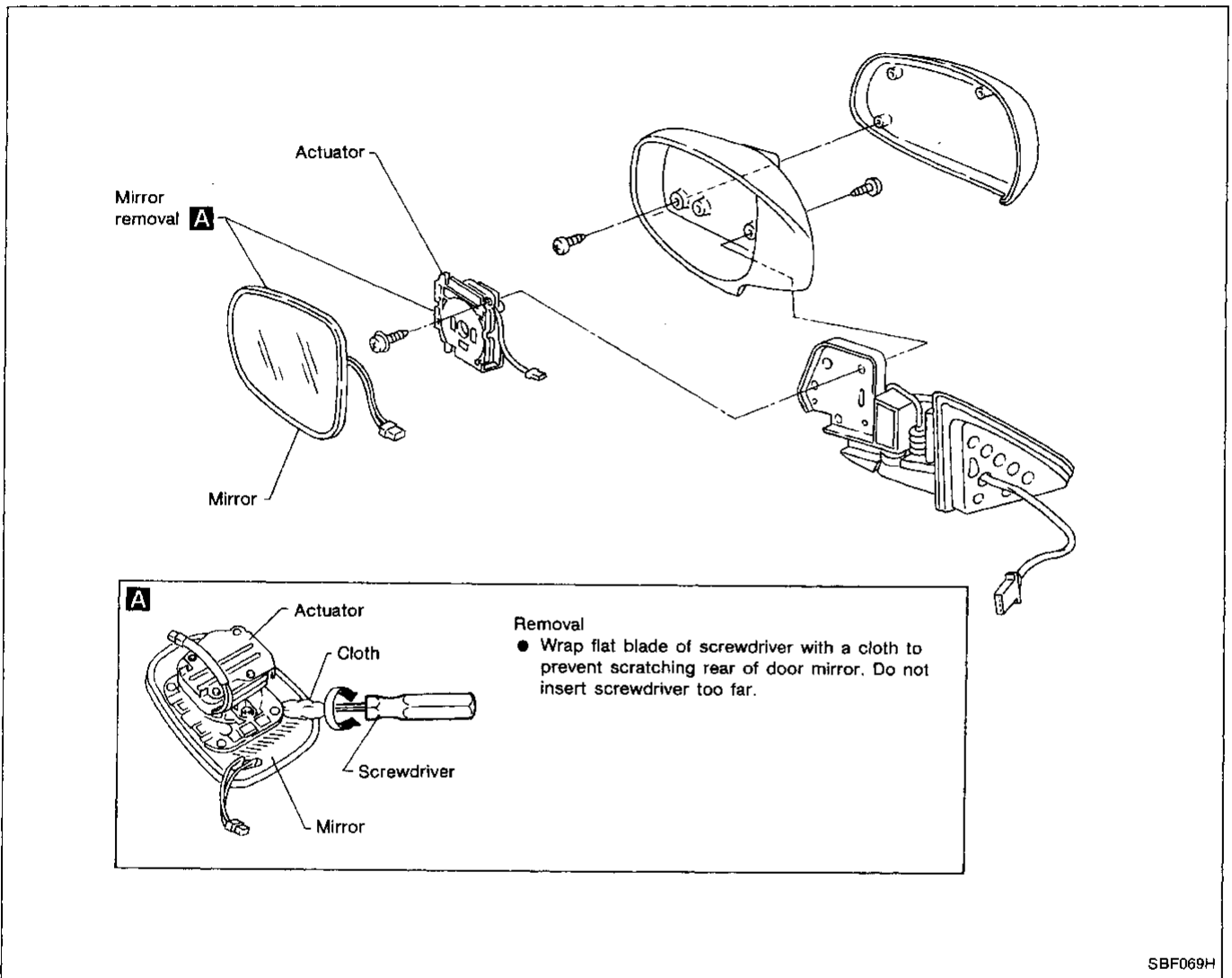
★ For Wiring Diagram, refer to "POWER DOOR MIRROR" in EL section.

CAUTION:

Be careful not to scratch door rearview mirror body.

REMOVAL — Door mirror

1. Remove door trim. Refer to "DOOR TRIM" in "INTERIOR TRIM" for details (BT-16).
2. Remove inner cover front corner of door.
3. Disconnect door mirror harness connector.
4. Remove harness clips.
5. Remove three bolts securing door mirror.



SBF069H

GI

MA

EM

LC

EF &
EC

FE

AT

PD

FA

RA

BR

ST

RS

BT

HA

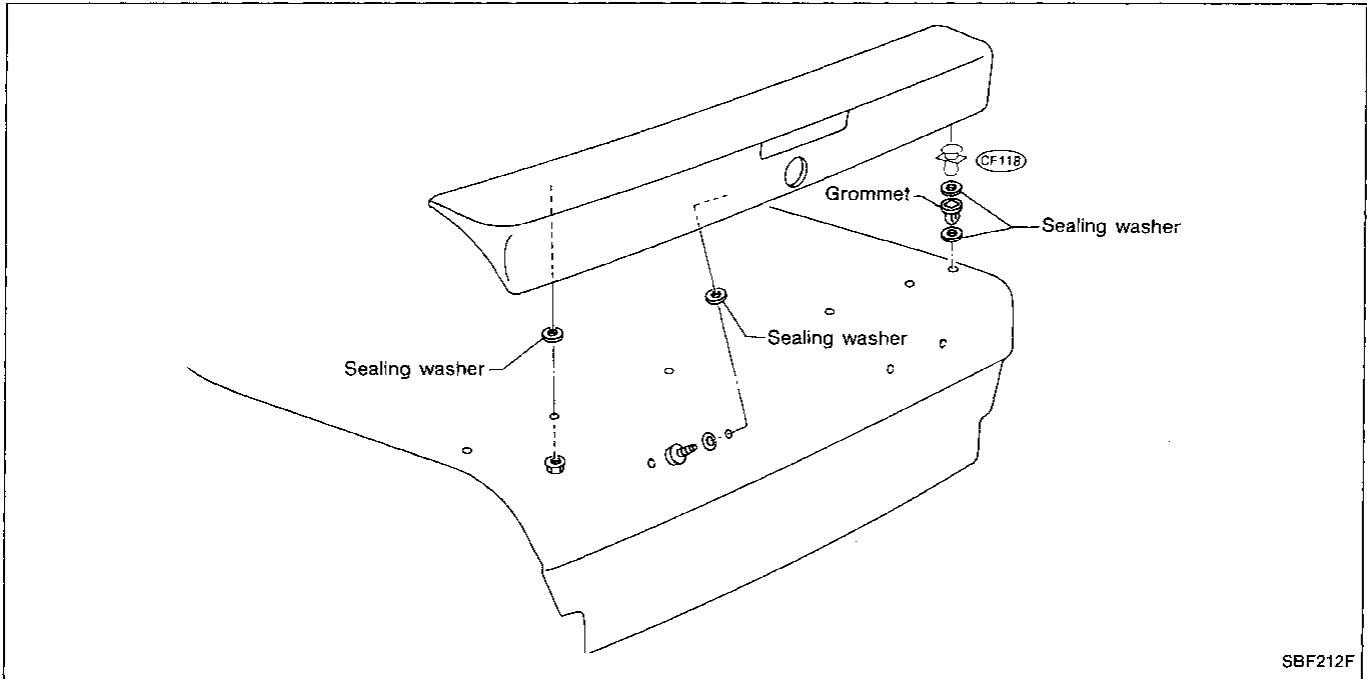
EL

IDX

REAR AIR SPOILER

Rear Air Spoiler

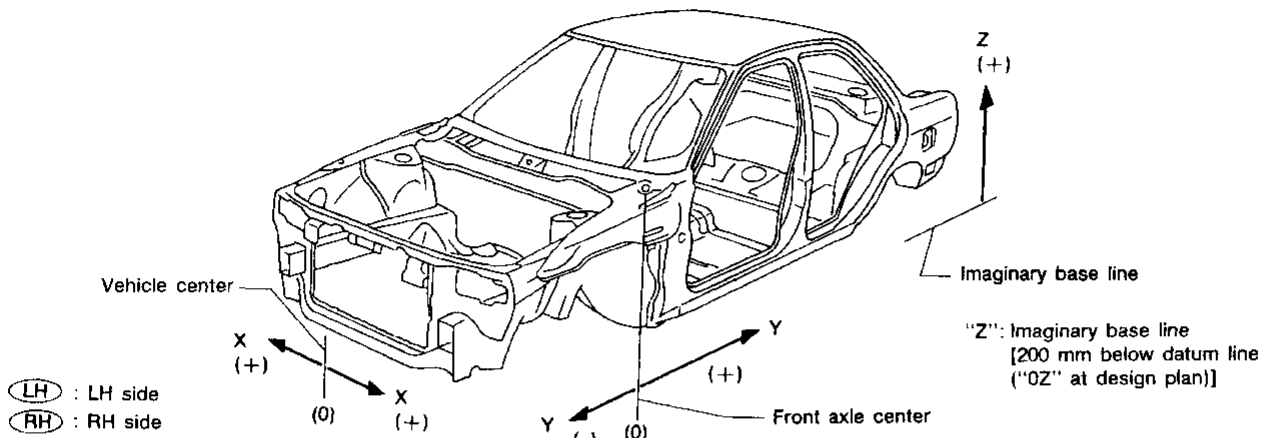
- When installing, make sure that there are not gaps or waves at ends of air spoiler.
- Before installing spoiler, clean and remove oil from surface where spoiler will be mounted.



SBF212F

BODY ALIGNMENT

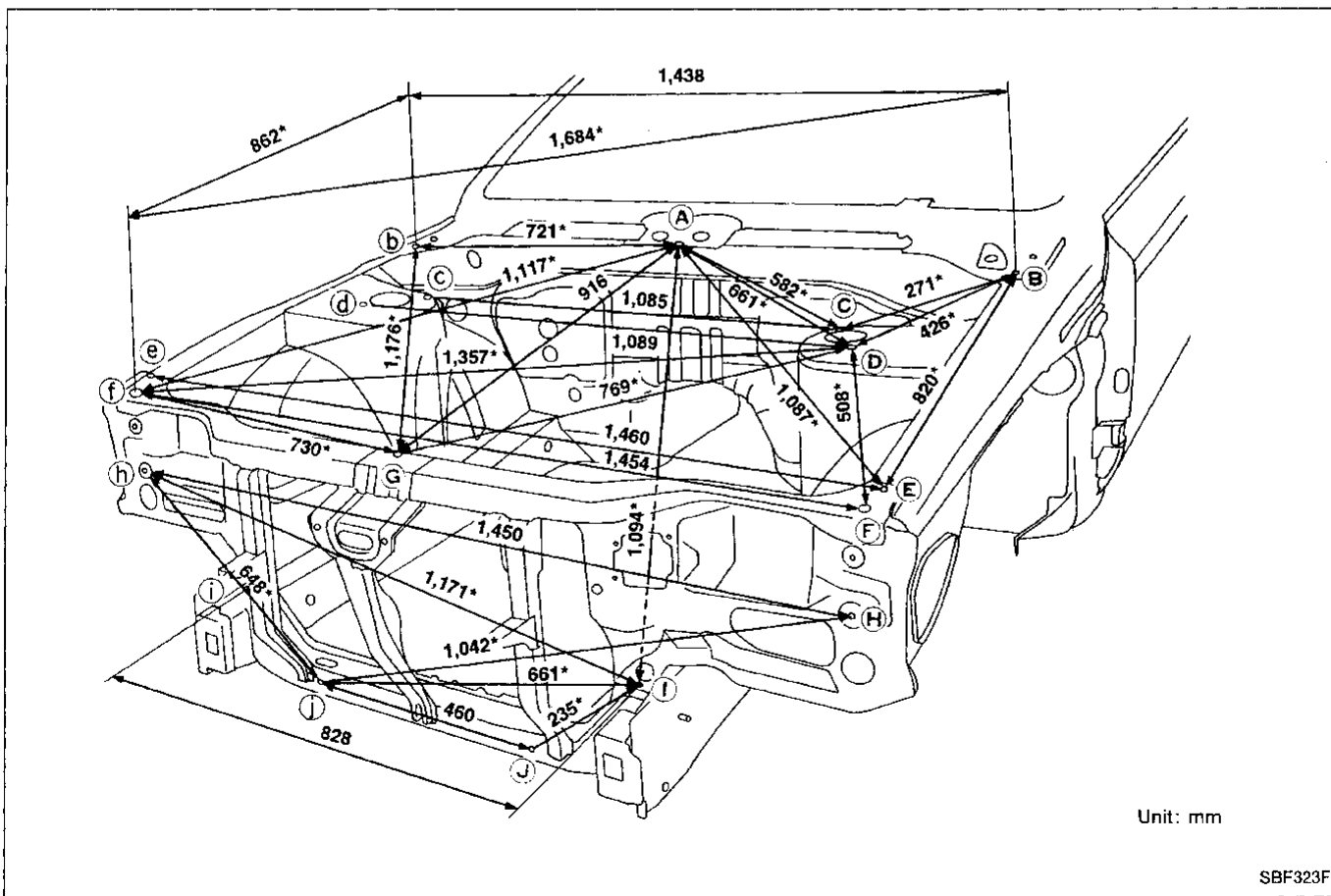
- All dimensions indicated in figures are actual ones.
- When a tram tracking gauge is used, adjust both pointers to equal length and check the pointers and gauge itself to make sure there is no free play.
- When a measuring tape is used, check to be sure there is no elongation, twisting or bending.
- Measurements should be taken at the center of the mounting holes.
- An asterisk (*) following the value at the measuring point indicates that the measuring point on the other side is symmetrically the same value.
- The coordinates of the measurement points are the distances measured from the standard line of "X", "Y" and "Z".



SBF874GA

Engine Compartment

MEASUREMENT

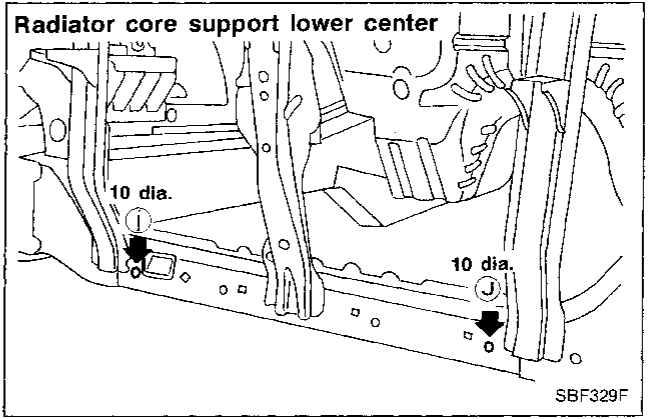
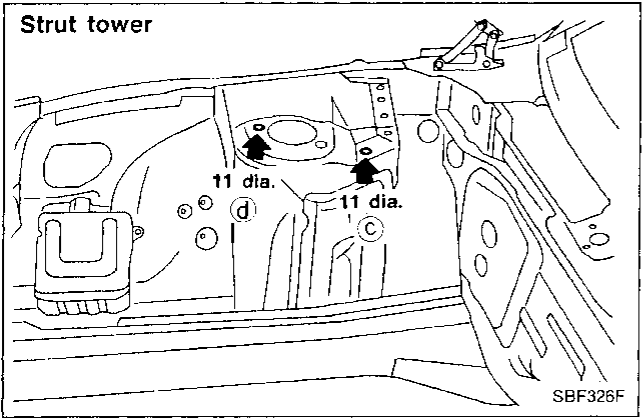
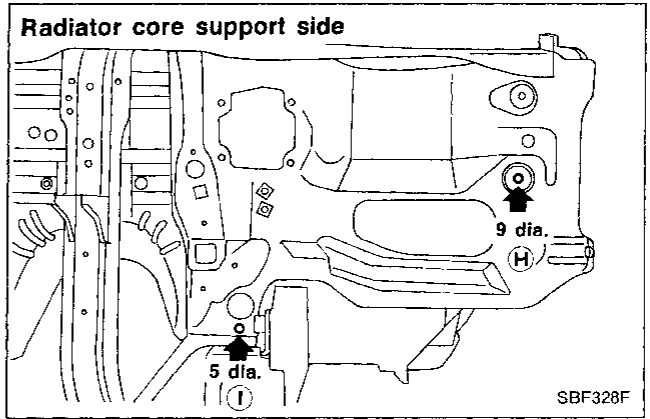
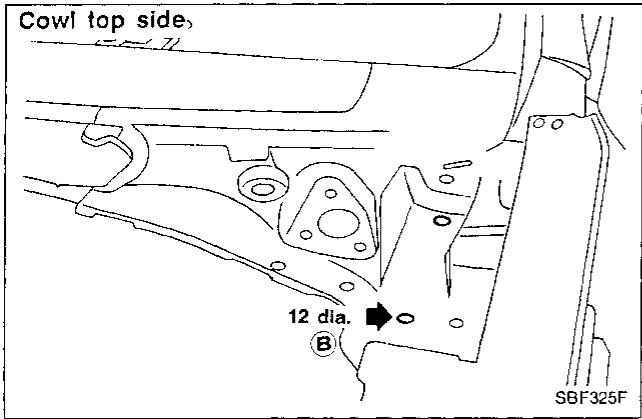
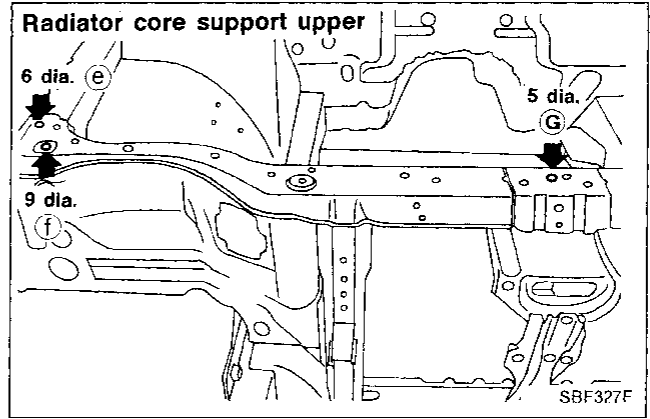
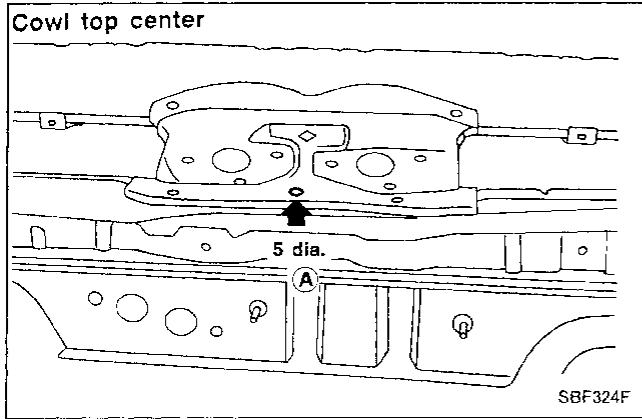


BODY ALIGNMENT

Engine Compartment (Cont'd)

Unit: mm

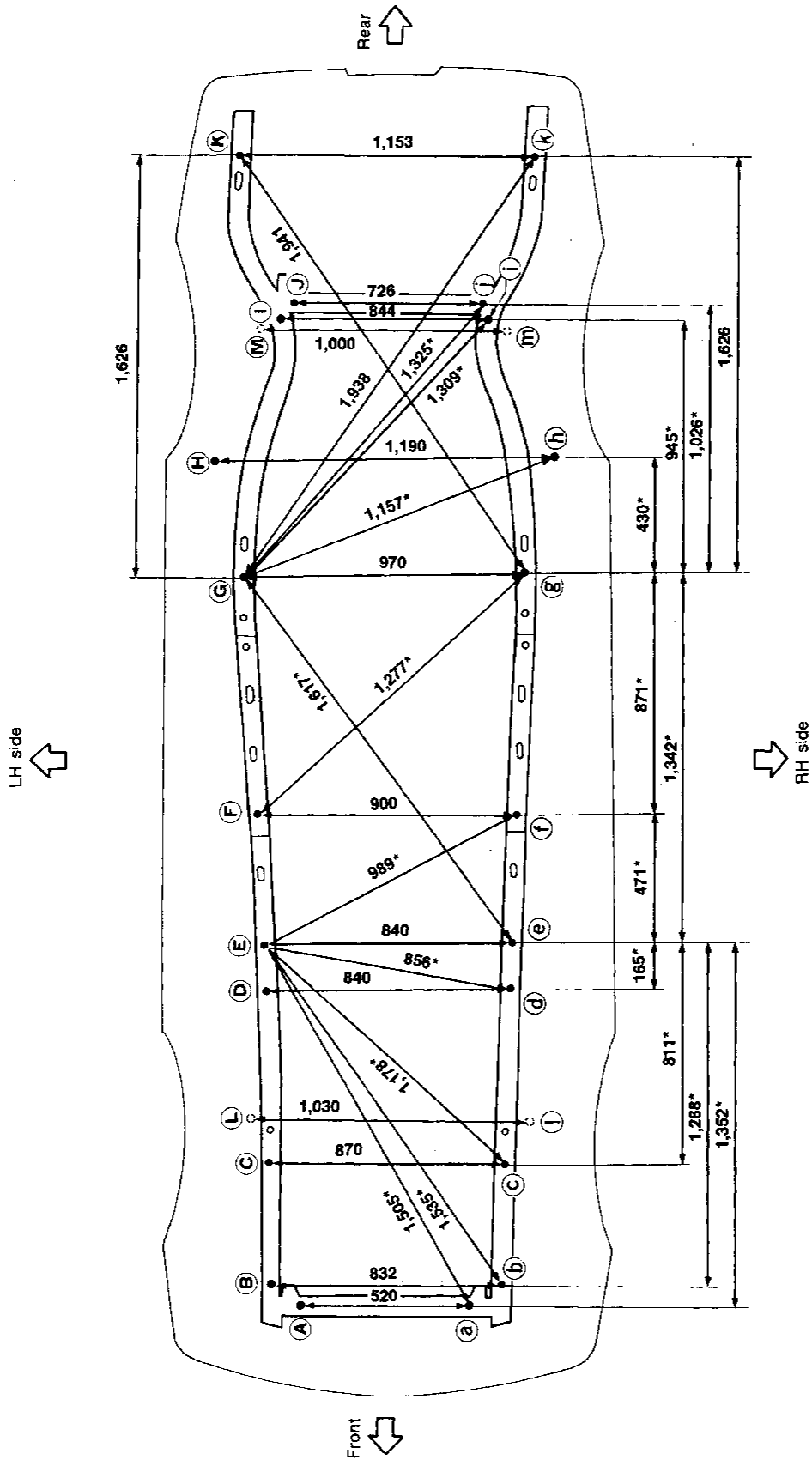
MEASUREMENT POINTS



BODY ALIGNMENT

Underbody

MEASUREMENT



All dimensions indicated in this figure are actual ones. (There are no projected dimensions.)

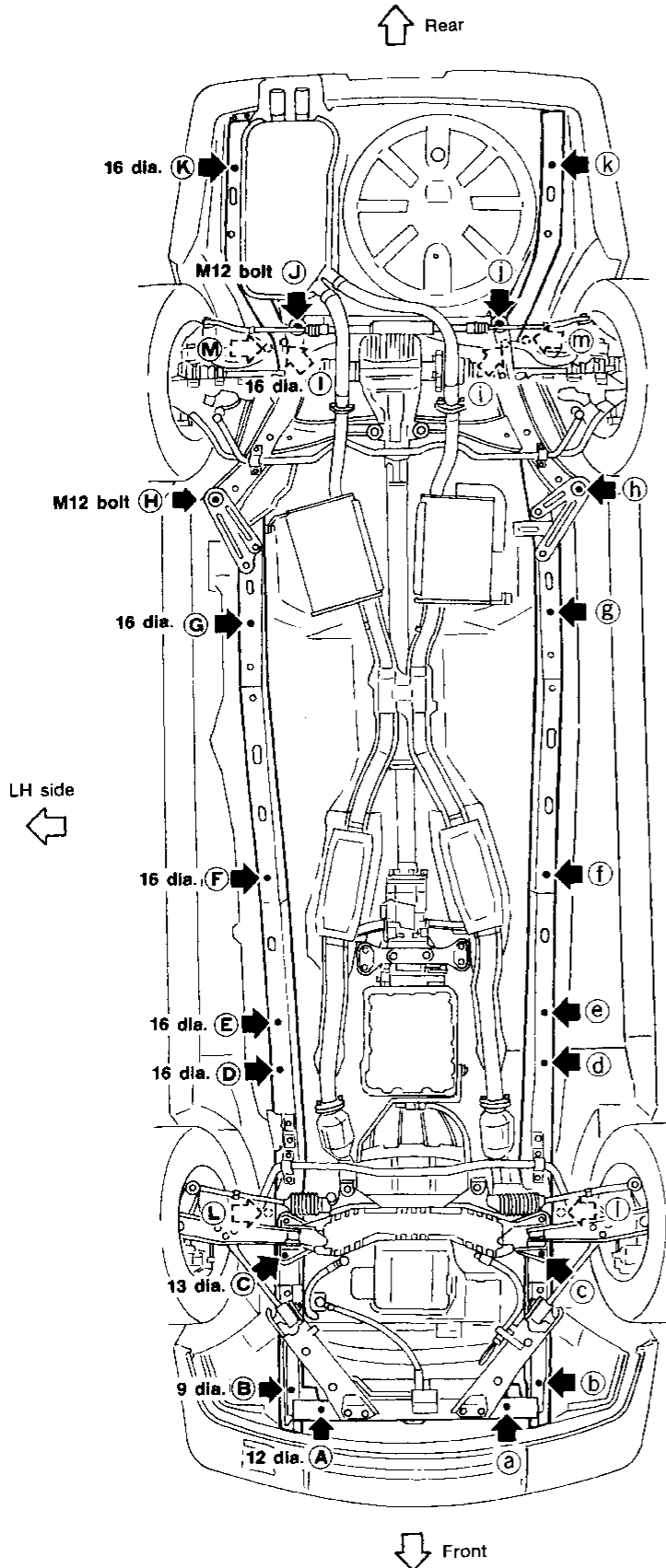
- GI
- MA
- EM
- LC
- EF & EC
- FE
- AT
- PD
- FA
- RA
- BR
- ST
- RS
- BT**
- HA
- EL
- IDX

Unit: mm
SBF321F

BODY ALIGNMENT

Underbody (Cont'd)

MEASUREMENT POINTS



Front coordinates:

Ⓐ, ⓐ
X : 260
Y : -634
Z : 237.5

Ⓑ, ⓑ
X : 416
Y : -582
Z : 211.2

Ⓒ, Ⓒ
X : 435
Y : -100
Z : 220

Ⓓ, ⓓ
X : 420
Y : 535
Z : 88.6

Ⓔ, ⓔ
X : 420
Y : 700
Z : 90.4

Ⓕ, ⓕ
X : 450
Y : 1,170
Z : 92

Rear coordinates:

Ⓖ, ⓑ
X : 485
Y : 2,040
Z : 84.6

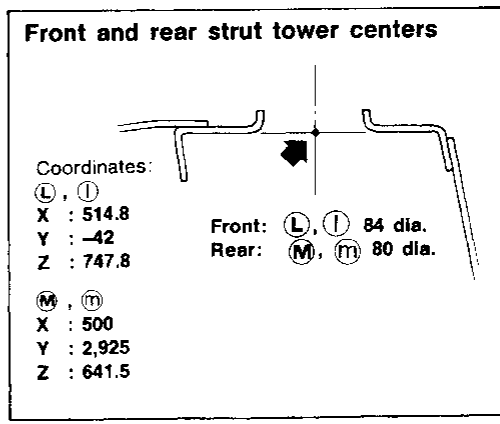
Ⓗ, ⓓ
X : 595
Y : 2,455
Z : 99.2

ⓓ, ⓓ
X : 422
Y : 2,935
Z : 382.6

ⓙ, ⓙ
X : 363
Y : 3,045
Z : 249.3

Ⓚ
X : 580
Y : 3,650
Z : 291.5

Ⓚ
X : 573
Y : 3,650
Z : 291.5



Unit: mm