

A
SECTION **ACC** ACC
ACCELERATOR CONTROL SYSTEM C

CONTENTS E

ACCELERATOR CONTROL SYSTEM	2	F
Removal and Installation	2	
REMOVAL	2	
INSTALLATION	2	G
INSPECTION AFTER INSTALLATION	2	

H

I

J

K

L

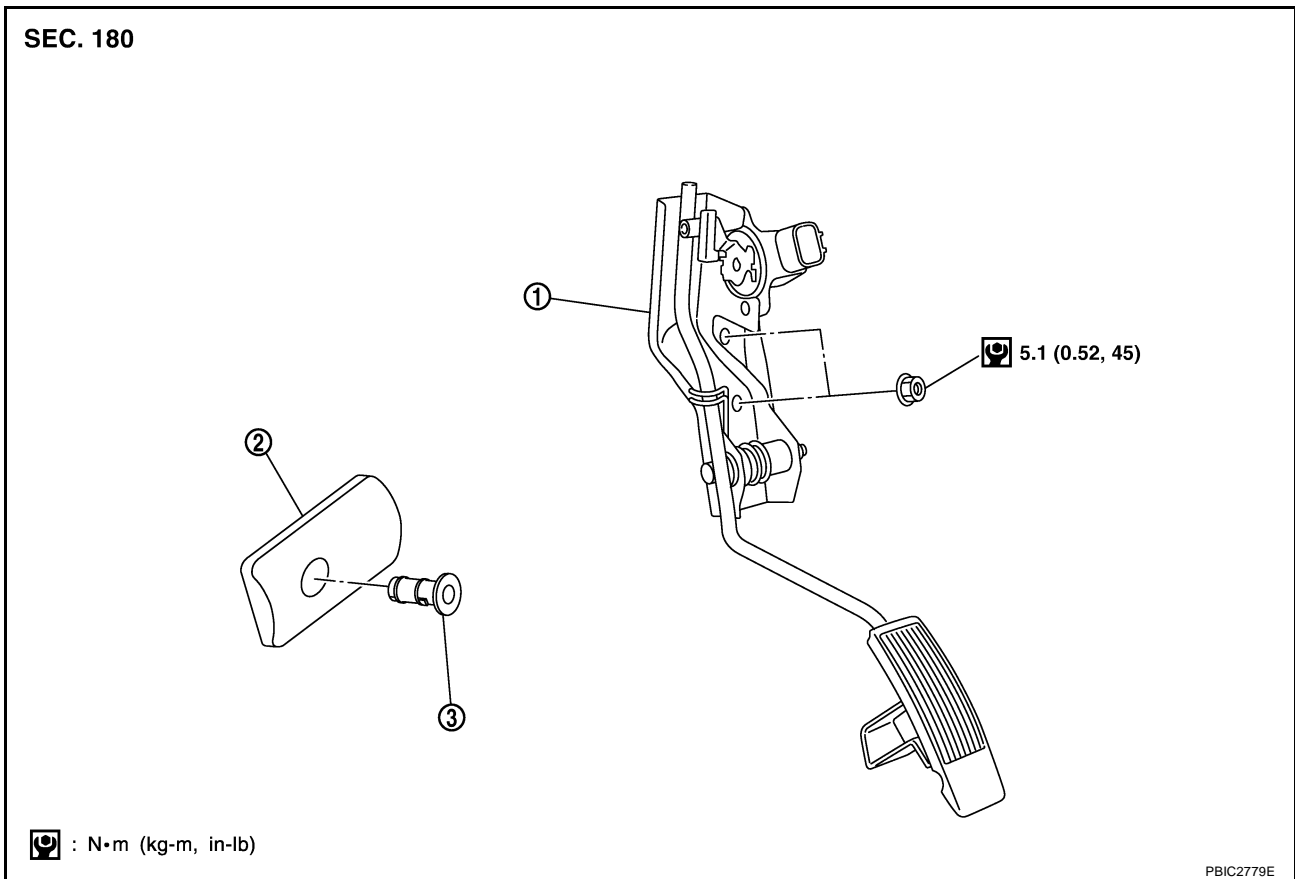
M

ACCELERATOR CONTROL SYSTEM

PFP:18005

Removal and Installation

EBS001JM



1. Accelerator pedal assembly 2. Stopper 3. Clip

REMOVAL

1. Disconnect accelerator pedal position sensor harness connector.
2. Loosen mounting nuts, and remove accelerator pedal assembly.

CAUTION:

- Do not disassemble accelerator pedal assembly. Do not remove accelerator pedal position sensor from accelerator pedal assembly.
- Avoid impact from dropping etc. during handling.
- Be careful to keep accelerator pedal assembly away from water.

3. Remove stopper, if necessary.

CAUTION:

Never pry the clip away from the stopper.

INSTALLATION

Install in the reverse order of removal.

INSPECTION AFTER INSTALLATION

- Make sure accelerator pedal moves smoothly within the whole operation range.
- Make sure accelerator pedal securely returns to the fully released position.
- For the electrical inspection of accelerator pedal position sensor. Refer to [EC-669, "DTC P2122, P2123 APP SENSOR"](#) , [EC-676, "DTC P2127, P2128 APP SENSOR"](#) and [EC-690, "DTC P2138 APP SENSOR"](#) .

CAUTION:

When harness connector of accelerator pedal position sensor is disconnected, perform "Accelerator Pedal Released Position Learning". Refer to [EC-88, "Accelerator Pedal Released Position Learning"](#)