

SECTION EI
EXTERIOR & INTERIOR

A
B
C
D
E
F
G
H
EI
J
K
L
M

CONTENTS

PRECAUTIONS	3	FRONT GRILLE	21
Precautions for Supplemental Restraint System (SRS) "AIR BAG" and "SEAT BELT PRE-TENSIONER"	3	Removal and Installation	21
Precautions for Work	3	REMOVAL	21
Wiring Diagrams and Trouble Diagnosis	3	INSTALLATION	21
PREPARATION	4	HOOD	22
Special Service Tools	4	Removal & Installation	22
Commercial Service Tools	4	HOOD TOP MOLDING	22
SQUEAK AND RATTLE TROUBLE DIAGNOSES	5	COWL TOP	23
Work Flow	5	Removal and Installation	23
CUSTOMER INTERVIEW	5	REMOVAL	23
DUPLICATE THE NOISE AND TEST DRIVE	6	INSTALLATION	23
CHECK RELATED SERVICE BULLETINS	6	FENDER PROTECTOR	24
LOCATE THE NOISE AND IDENTIFY THE ROOT CAUSE	6	Removal and Installation	24
REPAIR THE CAUSE	6	REMOVAL	24
CONFIRM THE REPAIR	7	INSTALLATION	24
Generic Squeak and Rattle Troubleshooting	7	MUDGUARD	25
INSTRUMENT PANEL	7	Removal and Installation	25
CENTER CONSOLE	7	REMOVAL	25
DOORS	7	INSTALLATION	25
TRUNK	8	WINDSHIELD MOLDING	26
SUNROOF/HEADLINING	8	Removal and Installation	26
SEATS	8	REMOVAL	26
UNDERHOOD	8	INSTALLATION	26
Diagnostic Worksheet	9	REAR WINDOW MOLDING	27
CLIP AND FASTENER	11	Removal and Installation	27
Description	11	REMOVAL	27
FRONT BUMPER	15	INSTALLATION	27
Removal and Installation	15	DRIP MOLDING	28
REMOVAL	16	Removal and Installation	28
INSTALLATION	17	REMOVAL	28
REAR BUMPER	18	INSTALLATION	28
Removal and Installation	18	ROOF SIDE MOLDING	30
REMOVAL	19	Removal and Installation	30
INSTALLATION	20	REMOVAL	30
		INSTALLATION	30
		DOOR OUTSIDE MOLDING	31
		Removal and Installation	31
		FRONT DOOR OUTSIDE MOLDING	31
		REAR DOOR OUTSIDE MOLDING	31

SIDE GUARD MOLDING	32	REAR PARCEL SHELF FINISHER	47
Removal and Installation	32	Removal and Installation	47
REMOVAL	32	REMOVAL	47
INSTALLATION	32	INSTALLATION	48
TRUNK LID FINISHER	33	SUNSHADE	49
Removal and Installation	33	Component Parts and Harness Connector Location ..	49
TRUNK LID FINISHER AND TRUNK LID FIN-		Schematic	50
ISHER LOWER	33	Wiring Diagram — SHADE —	51
DOOR FINISHER	34	Terminals and Reference Value for Rear Sunshade	
Removal and Installation	34	Control Unit	54
FRONT DOOR FINISHER	35	FLOOR TRIM	55
REAR DOOR FINISHER	36	Removal and installation	55
FRONT DOOR SASH COVER	37	REMOVAL	55
REAR DOOR SUSH COVER	37	INSTALLATION	56
REAR SIDE SUNSHADE HOOK	38	FOOT-REST	56
Disassembly and Assembly	39	HEADLINING	57
FRONT DOOR TRIM (DRIVER SIDE)	39	Removal and Installation	57
FRONT DOOR TRIM (PASSENGER SIDE)	40	REMOVAL	57
REAR DOOR TRIM	41	INSTALLATION	59
BODY SIDE TRIM	42	TRUNK ROOM TRIM & TRUNK LID FINISHER	60
Removal and Installation	42	Removal and Installation	60
FRONT PILLAR GARNISH	43	TRUNK ROOM TRIM	60
DASH SIDE FINISHER	43	TRUNK LID FINISHER (INNER)	61
FRONT BODY SIDE WELT	43		
FRONT KICKING PLATE	43		
REAR KICKING PLATE	44		
REAR BODY SIDE WELT	44		
CENTER PILLAR LOWER GARNISH	44		
CENTER PILLAR UPPER GARNISH	44		
REAR WHEELHOUSE GARNISH	45		
REAR PILLAR FINISHER	45		
MUDGUARD FINISHER (FRONT/REAR)	46		

PRECAUTIONS

PRECAUTIONS

PFP:00001

Precautions for Supplemental Restraint System (SRS) “AIR BAG” and “SEAT BELT PRE-TENSIONER”

EIS0041A

The Supplemental Restraint System such as “AIR BAG” and “SEAT BELT PRE-TENSIONER”, used along with a front seat belt, helps to reduce the risk or severity of injury to the driver and front passenger for certain types of collision. This system includes seat belt switch inputs and dual stage front air bag modules. The SRS system uses the seat belt switches to determine the front air bag deployment, and may only deploy one front air bag, depending on the severity of a collision and whether the front occupants are belted or unbelted. Information necessary to service the system safely is included in the SRS and SB section of this Service Manual.

WARNING:

- To avoid rendering the SRS inoperative, which could increase the risk of personal injury or death in the event of a collision which would result in air bag inflation, all maintenance must be performed by an authorized NISSAN/INFINITI dealer.
- Improper maintenance, including incorrect removal and installation of the SRS, can lead to personal injury caused by unintentional activation of the system. For removal of Spiral Cable and Air Bag Module, see the SRS section.
- Do not use electrical test equipment on any circuit related to the SRS unless instructed to in this Service Manual. SRS wiring harnesses can be identified by yellow and/or orange harnesses or harness connectors.

Precautions for Work

EIS009IS

- After removing and installing the opening/closing parts, be sure to carry out fitting adjustments to check their operation.
- Check the lubrication level, damage, and wear of each part. If necessary, grease or replace it.

Wiring Diagrams and Trouble Diagnosis

EIS009IT

When you read wiring diagrams, refer to the following:

- [GI-14, "How to Read Wiring Diagrams"](#)
- [PG-2, "POWER SUPPLY ROUTING"](#)

When you perform trouble diagnosis, refer to the following:

- [GI-10, "HOW TO FOLLOW TEST GROUPS IN TROUBLE DIAGNOSES"](#)
- [GI-26, "How to Perform Efficient Diagnosis for an Electrical Incident"](#)
Check for any Service bulletins before servicing the vehicle.

PREPARATION

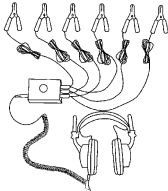
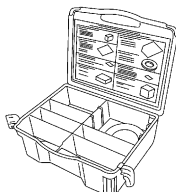
PREPARATION

PFP:00002

Special Service Tools

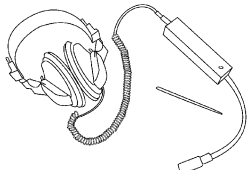
EIS000ZF

The actual shapes of Kent-Moore tools may differ from those of special service tools illustrated here.

Tool number (Kent-Moore No.) Tool name	Description
(J-39570) Chassis ear  SIIA0993E	Location the noise
(J-43980) NISSAN Squeak and Rattle Kit  SIIA0994E	Repairing the cause of noise

Commercial Service Tools

EIS000ZG

Tool name	Description
Engine ear  SIIA0995E	Location the noise

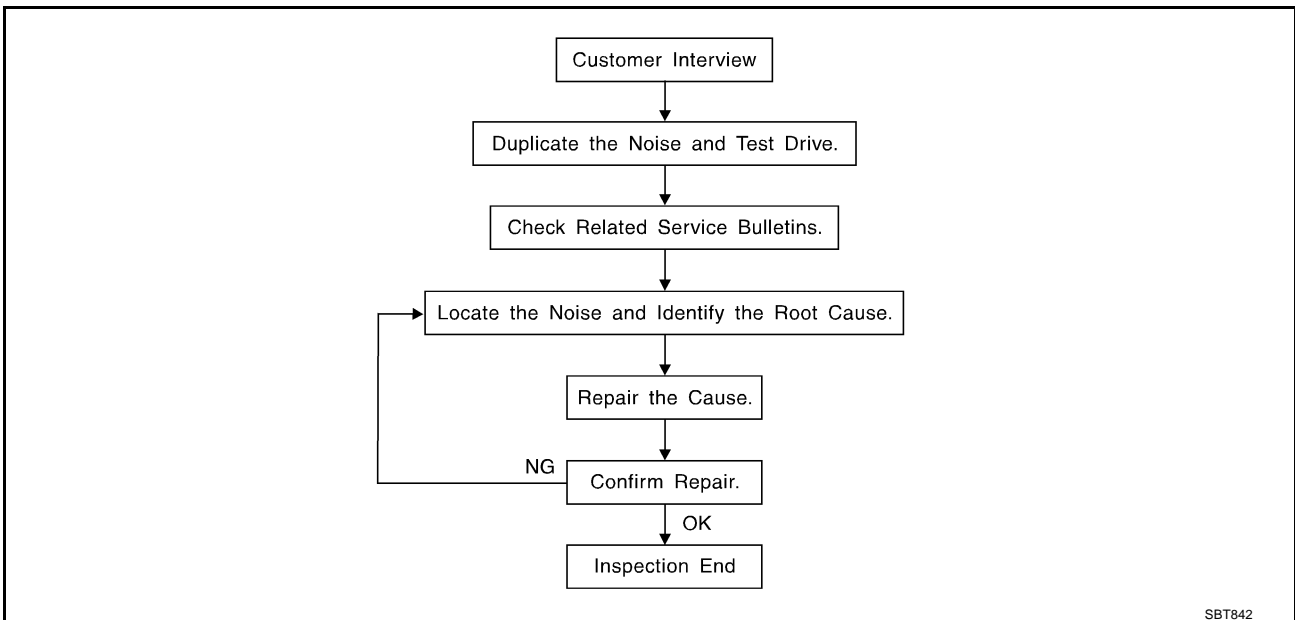
SQUEAK AND RATTLE TROUBLE DIAGNOSES

SQUEAK AND RATTLE TROUBLE DIAGNOSES

PPF:00000

Work Flow

EIS00A5H



CUSTOMER INTERVIEW

Interview the customer if possible, to determine the conditions that exist when the noise occurs. Use the Diagnostic Worksheet during the interview to document the facts and conditions when the noise occurs and any customer's comments; refer to [EI-9, "Diagnostic Worksheet"](#). This information is necessary to duplicate the conditions that exist when the noise occurs.

- The customer may not be able to provide a detailed description or the location of the noise. Attempt to obtain all the facts and conditions that exist when the noise occurs (or does not occur).
- If there is more than one noise in the vehicle, be sure to diagnose and repair the noise that the customer is concerned about. This can be accomplished by test driving the vehicle with the customer.
- After identifying the type of noise, isolate the noise in terms of its characteristics. The noise characteristics are provided so the customer, service adviser and technician are all speaking the same language when defining the noise.
- Squeak—(Like tennis shoes on a clean floor)
Squeak characteristics include the light contact/fast movement/brought on by road conditions/hard surfaces=higher pitch noise/softer surfaces=lower pitch noises/edge to surface=chirping
- Creak—(Like walking on an old wooden floor)
Creak characteristics include firm contact/slow movement/twisting with a rotational movement/pitch dependent on materials/often brought on by activity.
- Rattle—(Like shaking a baby rattle)
Rattle characteristics include the fast repeated contact/vibration or similar movement/loose parts/missing clip or fastener/incorrect clearance.
- Knock—(Like a knock on a door)
Knock characteristics include hollow sounding/sometimes repeating/often brought on by driver action.
- Tick—(Like a clock second hand)
Tick characteristics include gentle contacting of light materials/loose components/can be caused by driver action or road conditions.
- Thump—(Heavy, muffled knock noise)
Thump characteristics include softer knock/dead sound often brought on by activity.
- Buzz—(Like a bumble bee)
Buzz characteristics include high frequency rattle/firm contact.
- Often the degree of acceptable noise level will vary depending upon the person. A noise that you may judge as acceptable may be very irritating to the customer.
- Weather conditions, especially humidity and temperature, may have a great effect on noise level.

SQUEAK AND RATTLE TROUBLE DIAGNOSES

DUPLICATE THE NOISE AND TEST DRIVE

If possible, drive the vehicle with the customer until the noise is duplicated. Note any additional information on the Diagnostic Worksheet regarding the conditions or location of the noise. This information can be used to duplicate the same conditions when you confirm the repair.

If the noise can be duplicated easily during the test drive, to help identify the source of the noise, try to duplicate the noise with the vehicle stopped by doing one or all of the following:

- 1) Close a door.
 - 2) Tap or push/pull around the area where the noise appears to be coming from.
 - 3) Rev the engine.
 - 4) Use a floor jack to recreate vehicle "twist".
 - 5) At idle, apply engine load (electrical load, half-clutch on M/T models, drive position on A/T models).
 - 6) Raise the vehicle on a hoist and hit a tire with a rubber hammer.
- Drive the vehicle and attempt to duplicate the conditions the customer states exist when the noise occurs.
 - If it is difficult to duplicate the noise, drive the vehicle slowly on an undulating or rough road to stress the vehicle body.

CHECK RELATED SERVICE BULLETINS

After verifying the customer concern or symptom, check ASIST for Technical Service Bulletins (TSBs) related to that concern or symptom.

If a TSB relates to the symptom, follow the procedure to repair the noise.

LOCATE THE NOISE AND IDENTIFY THE ROOT CAUSE

1. Narrow down the noise to a general area. To help pinpoint the source of the noise, use a listening tool (Chassis Ear: J-39570, Engine Ear and mechanics stethoscope).
2. Narrow down the noise to a more specific area and identify the cause of the noise by:
 - removing the components in the area that you suspect the noise is coming from.
Do not use too much force when removing clips and fasteners, otherwise clips and fastener can be broken or lost during the repair, resulting in the creation of new noise.
 - tapping or pushing/pulling the component that you suspect is causing the noise.
Do not tap or push/pull the component with excessive force, otherwise the noise will be eliminated only temporarily.
 - feeling for a vibration with your hand by touching the component(s) that you suspect is (are) causing the noise.
 - placing a piece of paper between components that you suspect are causing the noise.
 - looking for loose components and contact marks.
Refer to [EI-7, "Generic Squeak and Rattle Troubleshooting"](#).

REPAIR THE CAUSE

- If the cause is a loose component, tighten the component securely.
- If the cause is insufficient clearance between components:
 - separate components by repositioning or loosening and retightening the component, if possible.
 - insulate components with a suitable insulator such as urethane pads, foam blocks, felt cloth tape or urethane tape. A Nissan Squeak and Rattle Kit (J-43980) is available through your authorized Nissan Parts Department.

CAUTION:

Do not use excessive force as many components are constructed of plastic and may be damaged.

NOTE:

Always check with the Parts Department for the latest parts information.

The following materials are contained in the Nissan Squeak and Rattle Kit (J-43980). Each item can be ordered separately as needed.

URETHANE PADS [1.5 mm (0.059 in) thick]

Insulates connectors, harness, etc.

76268-9E005: 100 × 135 mm (3.94 × 5.31 in)/76884-71L01: 60 × 85 mm (2.36 × 3.35 in)/76884-

71L02: 15 × 25 mm (0.59 × 0.98 in)

INSULATOR (Foam blocks)

Insulates components from contact. Can be used to fill space behind a panel.

73982-9E000: 45 mm (1.77 in) thick, 50 × 50 mm (1.97 × 1.97 in)/73982-

50Y00: 10 mm (0.39 in) thick, 50 × 50 mm (1.97 × 1.97 in)

SQUEAK AND RATTLE TROUBLE DIAGNOSES

INSULATOR (Light foam block)

80845-71L00: 30 mm (1.18 in) thick, 30 × 50 mm (1.18 × 1.97 in)

FELT CLOTHTAPE

Used to insulate where movement does not occur. Ideal for instrument panel applications.

68370-4B000: 15 × 25 mm (0.59 × 0.98 in) pad/68239-13E00: 5 mm (0.20 in) wide tape roll

The following materials, not found in the kit, can also be used to repair squeaks and rattles.

UHMW (TEFLON) TAPE

Insulates where slight movement is present. Ideal for instrument panel applications.

SILICONE GREASE

Used in place of UHMW tape that will be visible or not fit. Will only last a few months.

SILICONE SPRAY

Use when grease cannot be applied.

DUCT TAPE

Use to eliminate movement.

CONFIRM THE REPAIR

Confirm that the cause of a noise is repaired by test driving the vehicle. Operate the vehicle under the same conditions as when the noise originally occurred. Refer to the notes on the Diagnostic Worksheet.

Generic Squeak and Rattle Troubleshooting

EIS00A5I

Refer to Table of Contents for specific component removal and installation information.

INSTRUMENT PANEL

Most incidents are caused by contact and movement between:

1. The cluster lid A and instrument panel
2. Acrylic lens and combination meter housing
3. Instrument panel to front pillar garnish
4. Instrument panel to windshield
5. Instrument panel mounting pins
6. Wiring harnesses behind the combination meter
7. A/C defroster duct and duct joint

These incidents can usually be located by tapping or moving the components to duplicate the noise or by pressing on the components while driving to stop the noise. Most of these incidents can be repaired by applying felt cloth tape or silicon spray (in hard to reach areas). Urethane pads can be used to insulate wiring harness.

CAUTION:

Do not use silicone spray to isolate a squeak or rattle. If you saturate the area with silicone, you will not be able to recheck the repair.

CENTER CONSOLE

Components to pay attention to include:

1. Shifter assembly cover to finisher
2. A/C control unit and cluster lid C
3. Wiring harnesses behind audio and A/C control unit

The instrument panel repair and isolation procedures also apply to the center console.

DOORS

Pay attention to the:

1. Finisher and inner panel making a slapping noise
2. Inside handle escutcheon to door finisher
3. Wiring harnesses tapping
4. Door striker out of alignment causing a popping noise on starts and stops

Tapping or moving the components or pressing on them while driving to duplicate the conditions can isolate many of these incidents. You can usually insulate the areas with felt cloth tape or insulator foam blocks from the Nissan Squeak and Rattle Kit (J-43980) to repair the noise.

SQUEAK AND RATTLE TROUBLE DIAGNOSES

TRUNK

Trunk noises are often caused by a loose jack or loose items put into the trunk by the owner. In addition look for:

1. Trunk lid dumpers out of adjustment
2. Trunk lid striker out of adjustment
3. The trunk lid torsion bars knocking together
4. A loose license plate or bracket

Most of these incidents can be repaired by adjusting, securing or insulating the item(s) or component(s) causing the noise.

SUNROOF/HEADLINING

Noises in the sunroof/headlining area can often be traced to one of the following:

1. Sunroof lid, rail, linkage or seals making a rattle or light knocking noise
2. Sunvisor shaft shaking in the holder
3. Front or rear windshield touching headlining and squeaking

Again, pressing on the components to stop the noise while duplicating the conditions can isolate most of these incidents. Repairs usually consist of insulating with felt cloth tape.

SEATS

When isolating seat noise it's important to note the position the seat is in and the load placed on the seat when the noise is present. These conditions should be duplicated when verifying and isolating the cause of the noise.

Cause of seat noise include:

1. Headrest rods and holder
2. A squeak between the seat pad cushion and frame
3. The rear seatback lock and bracket

These noises can be isolated by moving or pressing on the suspected components while duplicating the conditions under which the noise occurs. Most of these incidents can be repaired by repositioning the component or applying urethane tape to the contact area.

UNDERHOOD

Some interior noise may be caused by components under the hood or on the engine wall. The noise is then transmitted into the passenger compartment.

Causes of transmitted underhood noise include:

1. Any component mounted to the engine wall
2. Components that pass through the engine wall
3. Engine wall mounts and connectors
4. Loose radiator mounting pins
5. Hood bumpers out of adjustment
6. Hood striker out of adjustment

These noises can be difficult to isolate since they cannot be reached from the interior of the vehicle. The best method is to secure, move or insulate one component at a time and test drive the vehicle. Also, engine RPM or load can be changed to isolate the noise. Repairs can usually be made by moving, adjusting, securing, or insulating the component causing the noise.

SQUEAK AND RATTLE TROUBLE DIAGNOSES

Diagnostic Worksheet

EIS00A5J



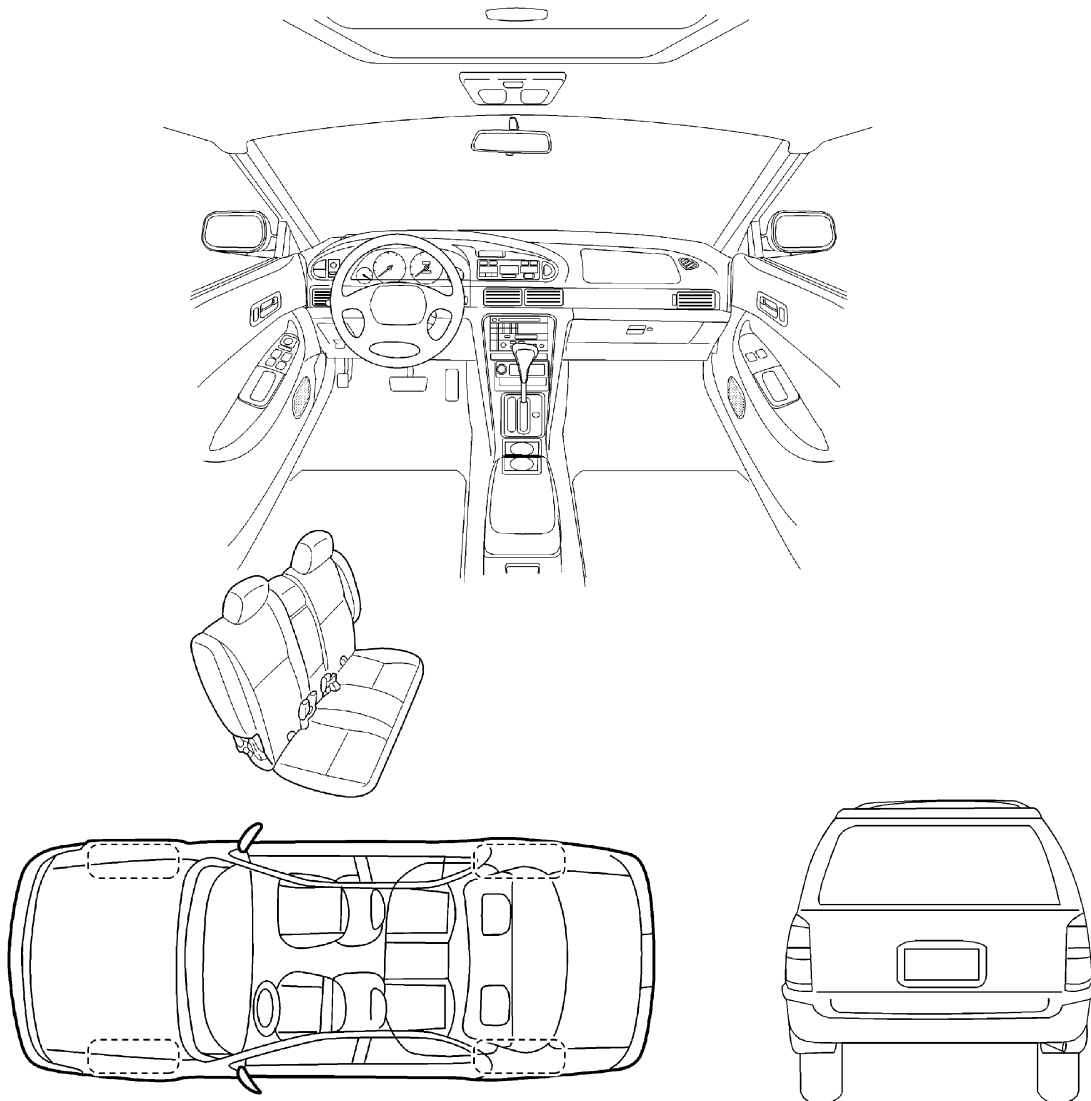
SQUEAK & RATTLE DIAGNOSTIC WORKSHEET

Dear Infiniti Customer:

We are concerned about your satisfaction with your Infiniti vehicle. Repairing a squeak or rattle sometimes can be very difficult. To help us fix your Infiniti right the first time, please take a moment to note the area of the vehicle where the squeak or rattle occurs and under what conditions. You may be asked to take a test drive with a service advisor or technician to ensure we confirm the noise you are hearing.

I. WHERE DOES THE NOISE COME FROM? (circle the area of the vehicle)

The illustrations are for reference only, and may not reflect the actual configuration of your vehicle.



Continue to the back of the worksheet and briefly describe the location of the noise or rattle. In addition, please indicate the conditions which are present when the noise occurs.

SBT860

A
B
C
D
E
F
G
H
EI
J
K
L
M

SQUEAK AND RATTLE TROUBLE DIAGNOSES

SQUEAK & RATTLE DIAGNOSTIC WORKSHEET- page 2

Briefly describe the location where the noise occurs:

II. WHEN DOES IT OCCUR? (check the boxes that apply)

- | | |
|--|---|
| <input type="checkbox"/> anytime | <input type="checkbox"/> after sitting out in the sun |
| <input type="checkbox"/> 1 st time in the morning | <input type="checkbox"/> when it is raining or wet |
| <input type="checkbox"/> only when it is cold outside | <input type="checkbox"/> dry or dusty conditions |
| <input type="checkbox"/> only when it is hot outside | <input type="checkbox"/> other: _____ |

III. WHEN DRIVING:

- through driveways
- over rough roads
- over speed bumps
- only at about ____ mph
- on acceleration
- coming to a stop
- on turns : left, right or either (circle)
- with passengers or cargo
- other: _____
- after driving ____ miles or ____ minutes

IV. WHAT TYPE OF NOISE?

- squeak (like tennis shoes on a clean floor)
- creak (like walking on an old wooden floor)
- rattle (like shaking a baby rattle)
- knock (like a knock on a door)
- tick (like a clock second hand)
- thump (heavy, muffled knock noise)
- buzz (like a bumble bee)

TO BE COMPLETED BY DEALERSHIP PERSONNEL

Test Drive Notes:

	YES	NO	Initials of person performing
Vehicle test driven with customer	<input type="checkbox"/>	<input type="checkbox"/>	_____
- Noise verified on test drive	<input type="checkbox"/>	<input type="checkbox"/>	_____
- Noise source located and repaired	<input type="checkbox"/>	<input type="checkbox"/>	_____
- Follow up test drive performed to confirm repair	<input type="checkbox"/>	<input type="checkbox"/>	_____

VIN: _____ Customer Name: _____

W.O. #: _____ Date: _____

This form must be attached to Work Order

SBT844

CLIP AND FASTENER

CLIP AND FASTENER

PFP:76906

Description

EIS00002

- Clips and fasteners in EI section correspond to the following numbers and symbols.

A

B

C

D

E

F

G

H

EI

J


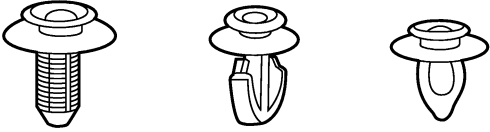


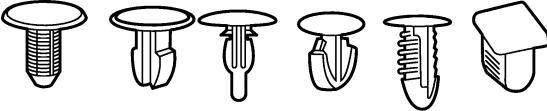
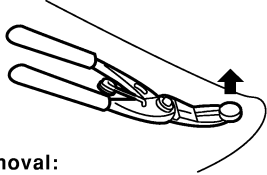

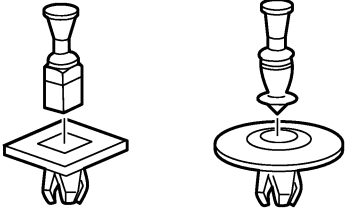
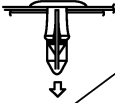
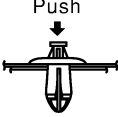

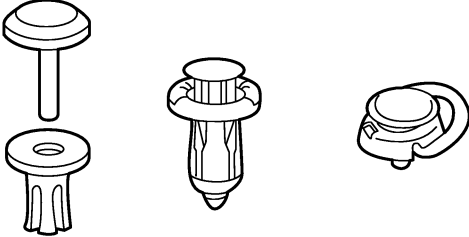

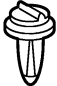
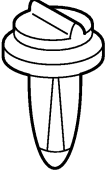
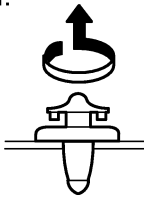
K

L

M


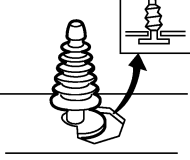
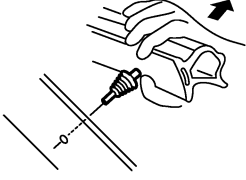

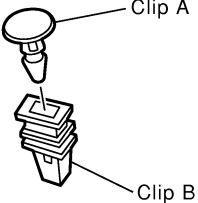
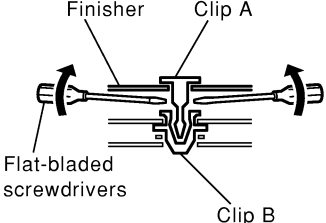

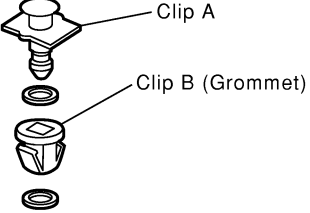
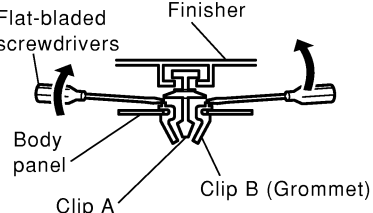
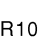

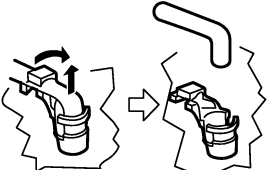

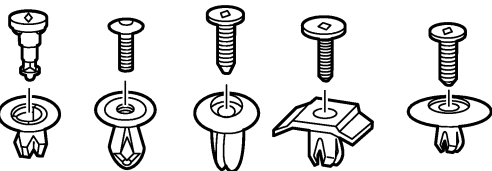

CLIP AND FASTENER

- Replace any clips and/or fasteners which are damaged during removal or installation.

Symbol No.	Shapes	Removal & Installation
<p>C101</p> 		<p>Removal: Remove by bending up with flat-bladed screwdrivers or clip remover.</p> 
<p>C103</p> 		<p>Removal: Remove with a clip remover.</p> 
<p>C203</p> 		<p>Removal: Push center pin to catching position. (Do not remove center pin by hitting it.)</p> <p>Push</p>  <p>Installation:</p> <p>Push</p> 
<p>C205</p> 		<p>Removal: Flat-bladed screwdriver</p>  <p>Clip</p> <p>Finisher</p>
<p>C206</p> 		<p>Removal:</p> 

SIIA0315E


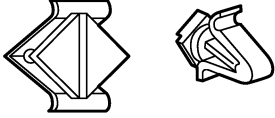

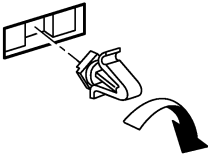

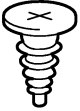



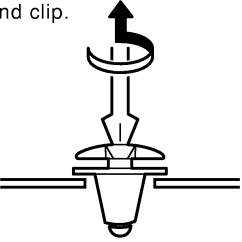


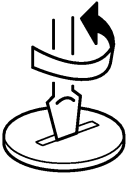
CLIP AND FASTENER

Symbol No.	Shapes	Removal & Installation
<p>CE103</p> 		<p>Removal:</p> 
<p>CF110</p> 		<p>Removal:</p> 
<p>CF118</p> 		<p>Removal:</p> 
<p>CR103</p> 		<p>Removal: Holder portion of clip must be spread out to remove rod.</p> 
<p>CS101</p> 		<p>Removal:</p> <ol style="list-style-type: none"> 1. Screw out with a Phillips screwdriver. 2. Remove female portion with flat-bladed screwdriver. 

A
B
C
D
E
F
G
H
EI
J
K
L
M

SIIA0316E

CLIP AND FASTENER

Symbol No.	Shapes	Removal & Installation	
CG101 		Removal:  Rotate 45° to remove	Installation: 
CS102 			
CS113 		Removal: Disconnect upper connection of clip with a flat-bladed screwdriver, then remove clip while inserting a flat-bladed screwdriver between body panel and clip. 	
C111 			

SIIA0317E

FRONT BUMPER

FRONT BUMPER

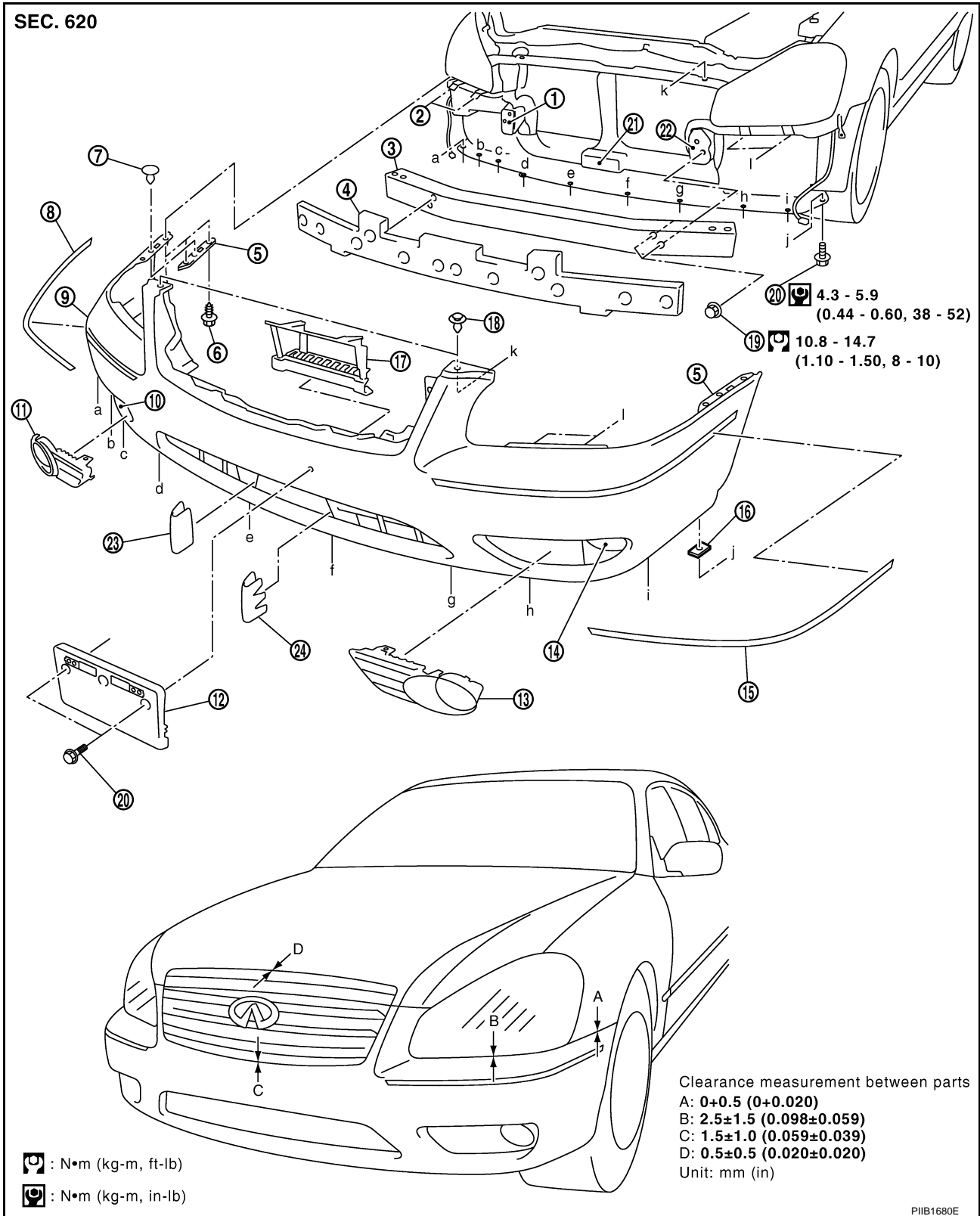
PFP:F2022

Removal and Installation

EIS0013H

CAUTION:

Bumper fascia is made of plastic. Do not use excessive force and be sure to keep oil away from it.



- | | | |
|---------------------------|------------------------|-------------------------|
| 1. Bumper stay (right) | 2. Bumper clip | 3. Bumper reinforcement |
| 4. Bumper energy absorber | 5. Bumper side bracket | 6. Screw |

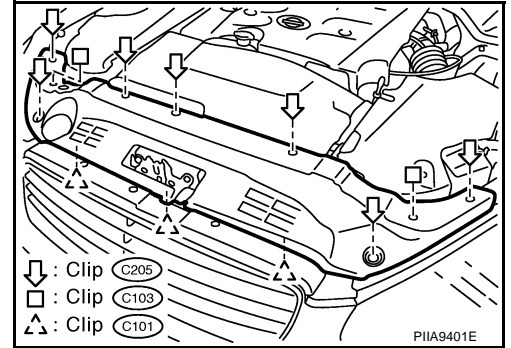
A
B
C
D
E
F
G
H
EI
J
K
L
M

FRONT BUMPER

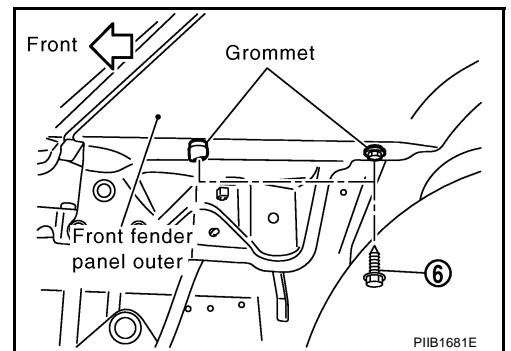
- | | | |
|--------------------------|---------------------------|---------------------------|
| 7. Clip (C103) | 8. Bumper molding (right) | 9. Bumper fascia |
| 10. Fog lamp (right) | 11. Bumper grille (right) | 12. License plate bracket |
| 13. Bumper grille (left) | 14. Fog lamp (left) | 15. Bumper molding (left) |
| 16. U nut | 17. ACC finisher | 18. Clip (C205) |
| 19. Nut | 20. Bolt | 21. ACC |
| 22. Bumper stay (left) | 23. Bumper fin (right) | 24. Bumper fin (left) |

REMOVAL

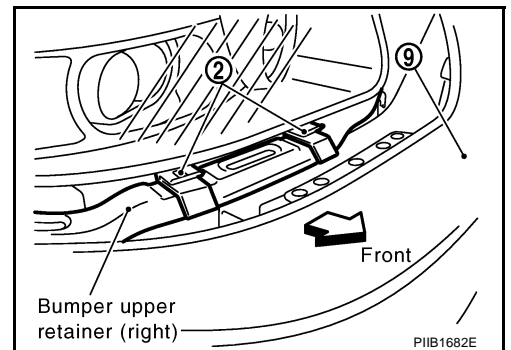
1. Release front air cover clips, and remove front air guide.



2. Remove front grille. Refer to [EI-21, "FRONT GRILLE"](#) .
3. Remove bolts at the edge of engine undercover.
4. Remove bolts and clips of both right/left front fender protectors. (on front side)
5. Remove screws from both right/left front fenders.

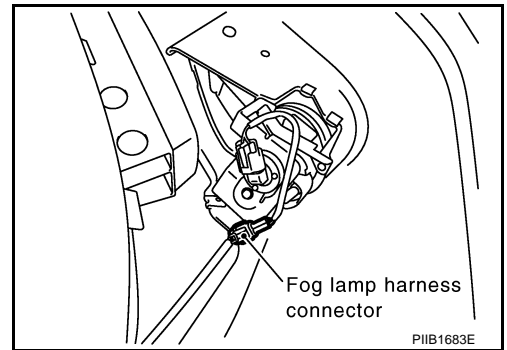


6. Remove clips from upper bracket assembly.
7. Disconnect bumper fascia from bumper clips.

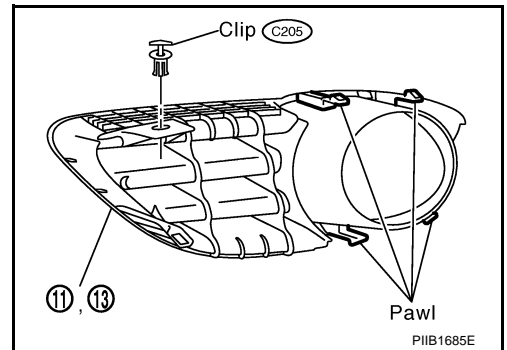


FRONT BUMPER

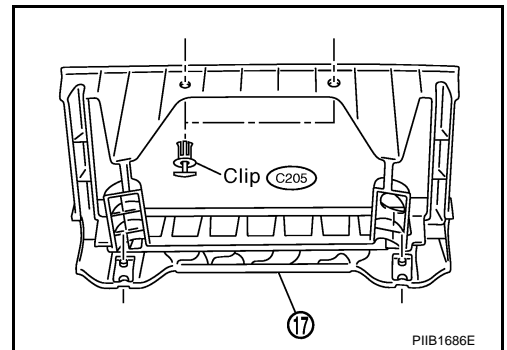
8. Disconnect fog lamp harness connectors (right/left).



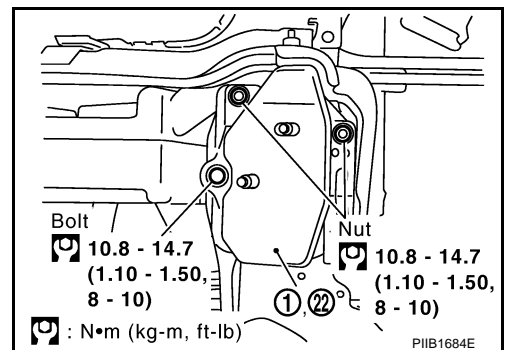
9. Remove bumper fascia assembly.
 10. Remove bumper fin (right/left).
 11. Disengage clips, and remove bumper grille (right/left).



12. Disengage clips, and remove ACC finisher.



13. Remove license plate bracket bolts, and remove licence plate bracket.
 14. Remove bumper molding (right/left).
 15. Remove fog lamp (right/left). Refer to [LT-76. "FRONT FOG LAMP"](#).
 16. Remove bumper energy absorber.
 17. Remove bumper reinforcement nuts, and remove bumper reinforcement assembly.
 18. Remove bumper stay nuts/bolts, and remove bumper stay assembly (right/left).



INSTALLATION

Install in the reverse order of removal.

A
B
C
D
E
F
G
H
EI
J
K
L
M

REAR BUMPER

PFP:H5022

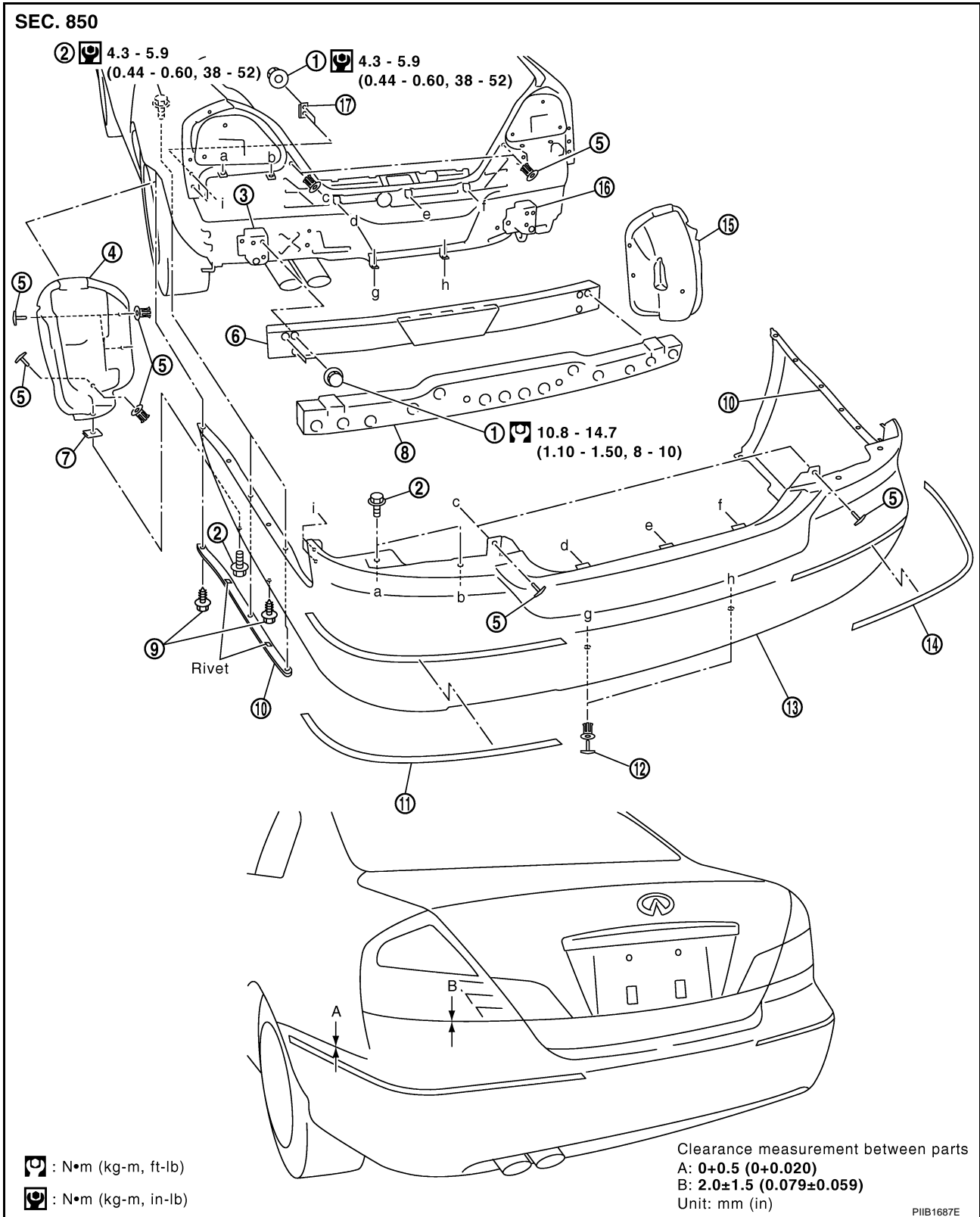
EIS00131

REAR BUMPER

Removal and Installation

CAUTION:

Bumper fascia is made of resin; do not apply pressure to or let oils contact its surface.



- | | | |
|-------------------------------------|-----------------|-------------------------|
| 1. Nut | 2. Bolt | 3. Bumper stay (left) |
| 4. Rear wheelhouse protector (left) | 5. Clip (CF110) | 6. Bumper reinforcement |

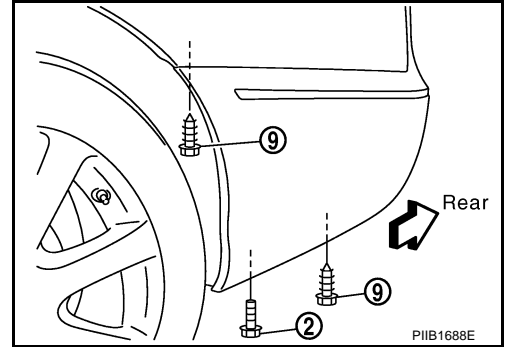
REAR BUMPER

- | | | |
|-------------------------|----------------------------|---------------------------------------|
| 7. U nut | 8. Bumper energy absorber | 9. Screw |
| 10. Bumper side bracket | 11. Bumper molding (left) | 12. Clip (C205) |
| 13. Bumper fascia | 14. Bumper molding (right) | 15. Rear wheelhouse protector (right) |
| 16. Bumper stay (right) | 17. Bumper side retainer | |

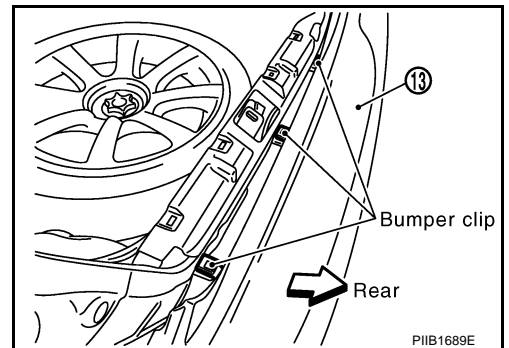
A
B
C
D
E
F
G
H
EI
J
K
L
M

REMOVAL

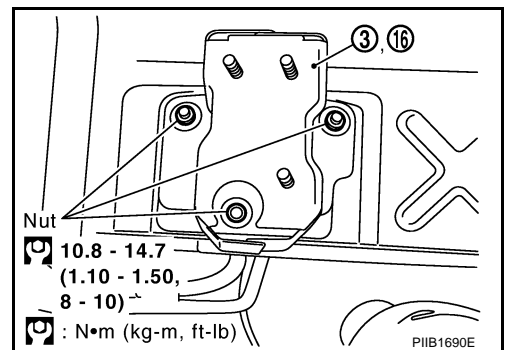
1. Remove trunk room trim. Refer to [EI-60, "TRUNK ROOM TRIM & TRUNK LID FINISHER"](#).
2. Remove rear combination lamp assembly. Refer to [LT-114, "REAR COMBINATION LAMP"](#).
3. Remove rear wheelhouse protector clips and bolts. (right/left)
4. Remove bumper fascia screws from both right/left rear fender.



5. Remove clips from bumper fascia lower side.
6. Remove bumper fascia nuts and bolts from trunk room.
7. Remove bolts and grommets from bumper fascia upper side.
8. Pull out center of bumper fascia, and disconnect bumper fascia from bumper clips.



9. Remove bumper fascia assembly.
10. Remove bumper molding (right/left).
11. Remove bumper energy absorber.
12. Remove bumper reinforcement nuts, and remove bumper reinforcement assembly.
13. Remove bumper stay nuts, and remove bumper stay assembly (right/left).



CAUTION:

To remove rear bumper molding, remove rear bumper center molding first, then rear bumper side molding, respectively.

REAR BUMPER

INSTALLATION

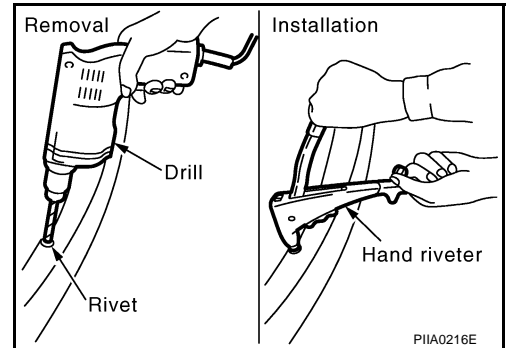
Install in the reverse order of removal.

Removal of Bumper Side Brackets

Shave head of rivet with drill [4.0 to 4.5 mm (0.16 to 0.18 in) dia.]

Installation of Bumper Side Brackets

Install bracket to fascia firmly with hand riveter.



FRONT GRILLE

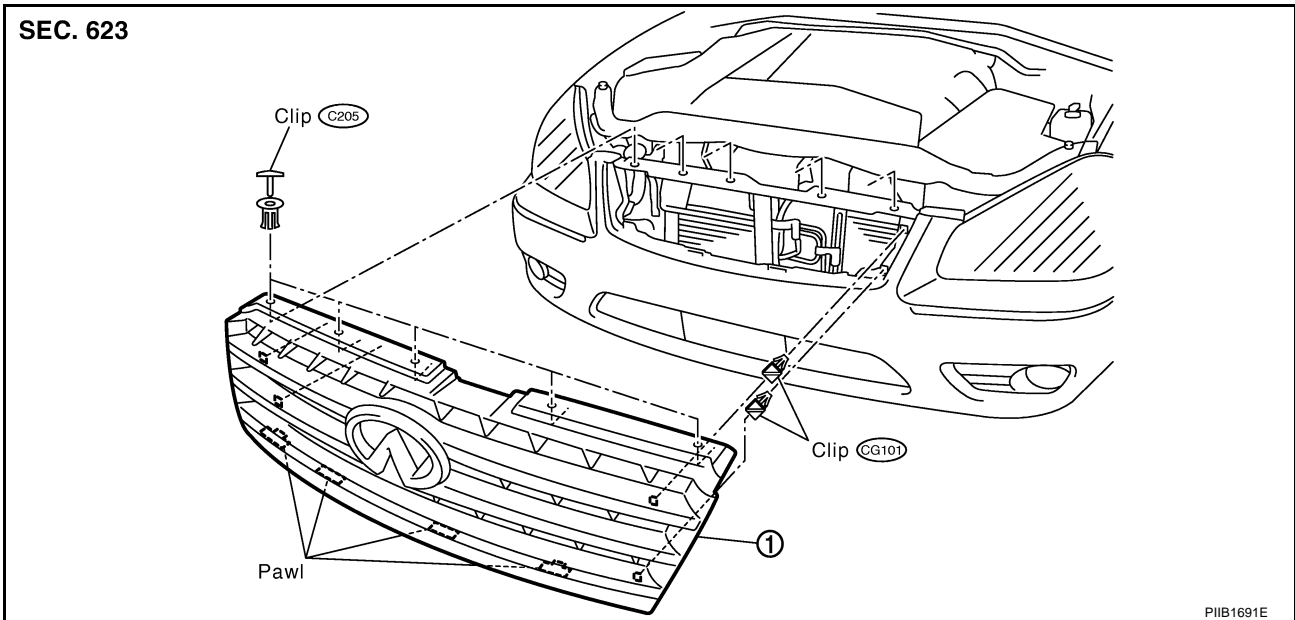
FRONT GRILLE

PFP:62310

Removal and Installation

EIS0013J

SEC. 623



1. Front grille

REMOVAL

1. Apply protection tapes around outer circumference of front grille (bumper fascia side).
2. Remove clips on upper side of grille.
3. Push down tips of four turn fasteners from rear side of grille. Pull out grille. Disconnect turn fasteners and remove grille.

INSTALLATION

Install in the reverse order of removal.

A
B
C
D
E
F
G
H
EI
J
K
L
M

HOOD

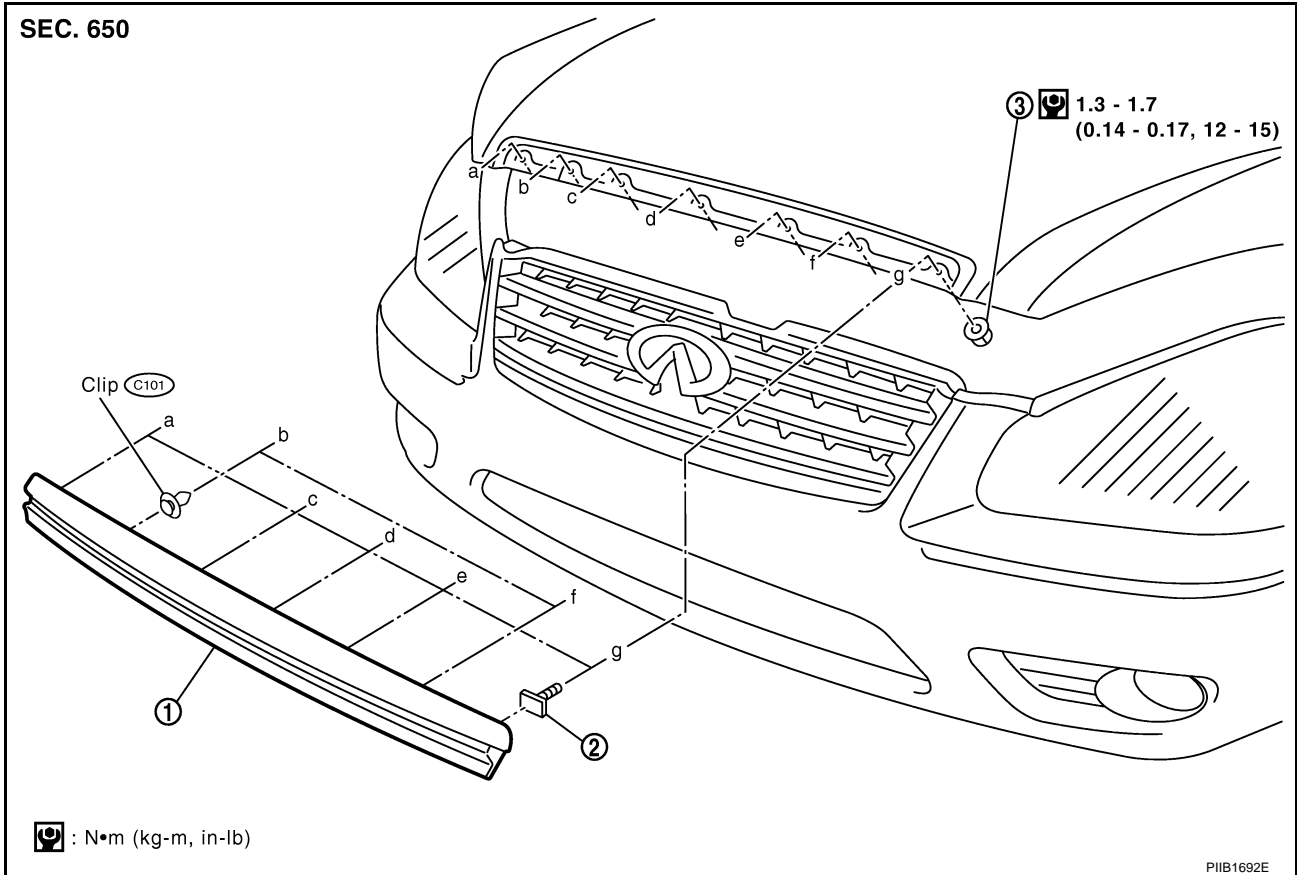
HOOD

PFP:F5100

Removal & Installation

EIS009WO

SEC. 650



1. Hood top molding

2. Stud bolt

3. Nut

HOOD TOP MOLDING

Removal

1. Open hood fully.
2. Remove nuts of hood top molding.
3. Disengage clips, and remove hood top molding assembly.

Installation

Install in the reverse order of removal.

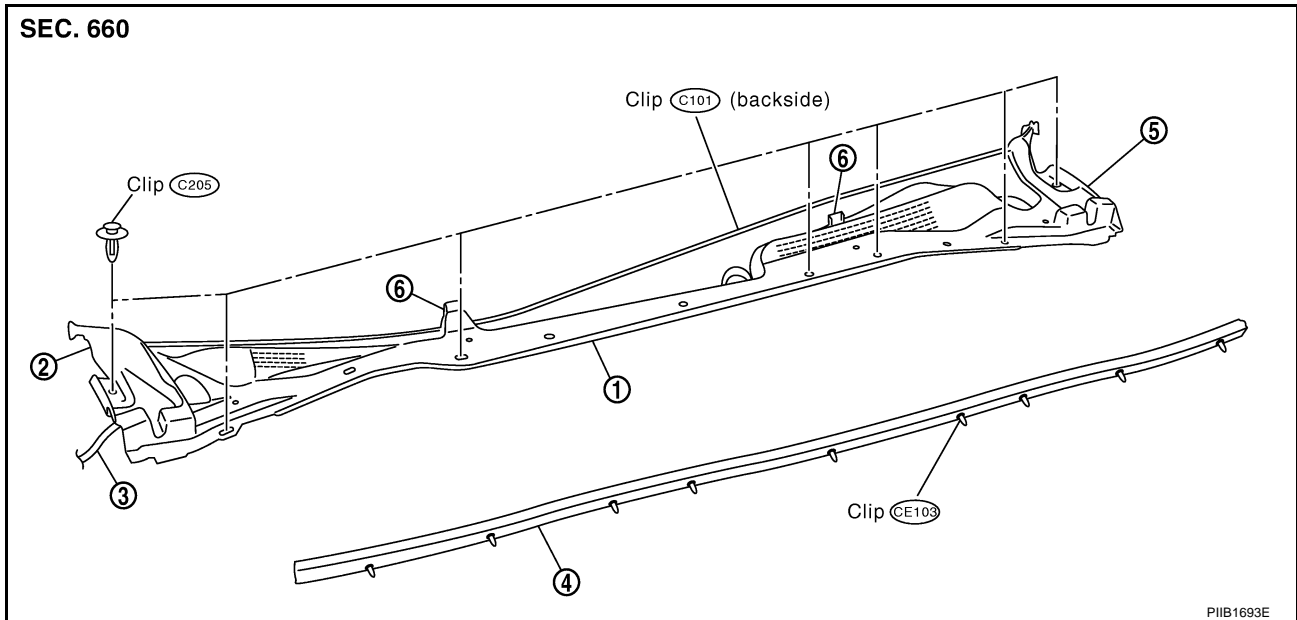
COWL TOP

COWL TOP

PFP:66100

Removal and Installation

EIS0013K



- | | | |
|-------------------|-------------------|------------------|
| 1. Cowl top cover | 2. Rubber (right) | 3. Washer tube |
| 4. Cowl top seal | 5. Rubber (left) | 6. Washer nozzle |

REMOVAL

1. Remove both right/left wiper arms from vehicle. Refer to [WW-30, "Removal and Installation of Front Wiper Arms, Adjustment of Front Wiper Arms Stop Location"](#).
2. Remove clips of both cowl top seal.
3. Remove cowl top cover clips, and remove cowl top cover assembly.

INSTALLATION

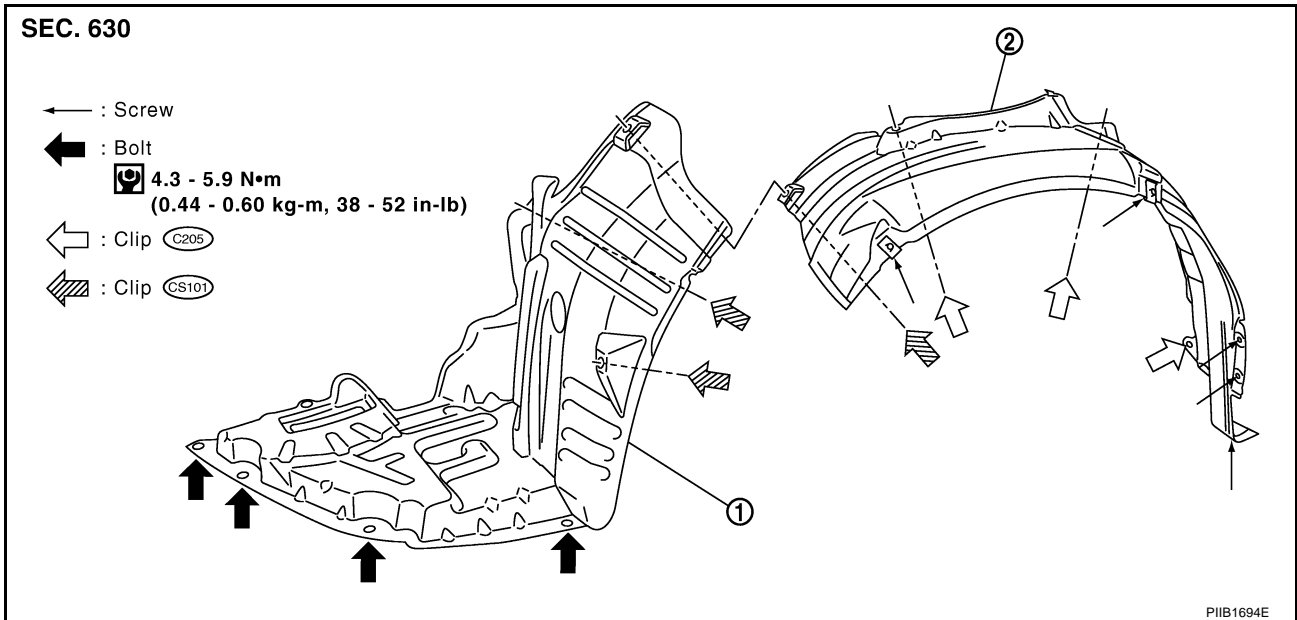
Install in the reverse order of removal.

FENDER PROTECTOR

PFP:63840

FENDER PROTECTOR Removal and Installation

EIS008FI



REMOVAL

1. Remove bolts and screws of fender protector.
2. Remove clips of fender protector.
3. Remove fender protector (front/rear).

INSTALLATION

Install in the reverse order of removal.

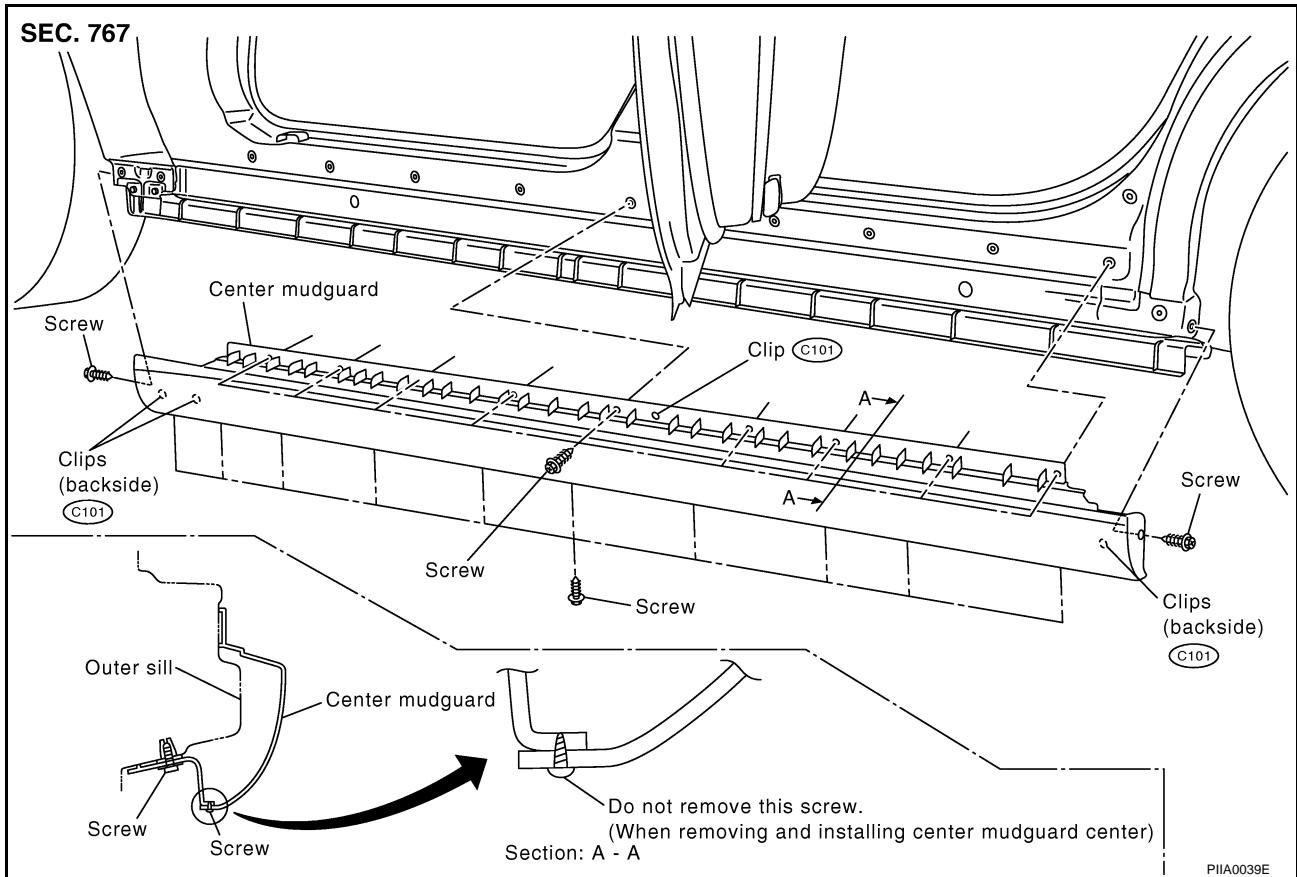
MUDGUARD

MUDGUARD

PFP:63854

Removal and Installation

EIS0013L



REMOVAL

1. Remove mudguard finisher (front and rear). Refer to [EI-42, "Removal and Installation"](#).
2. Remove screws on front/rear and lower side of center mudguard.
3. Remove clips on front and rear end of center mudguard.
4. Remove center mudguard.

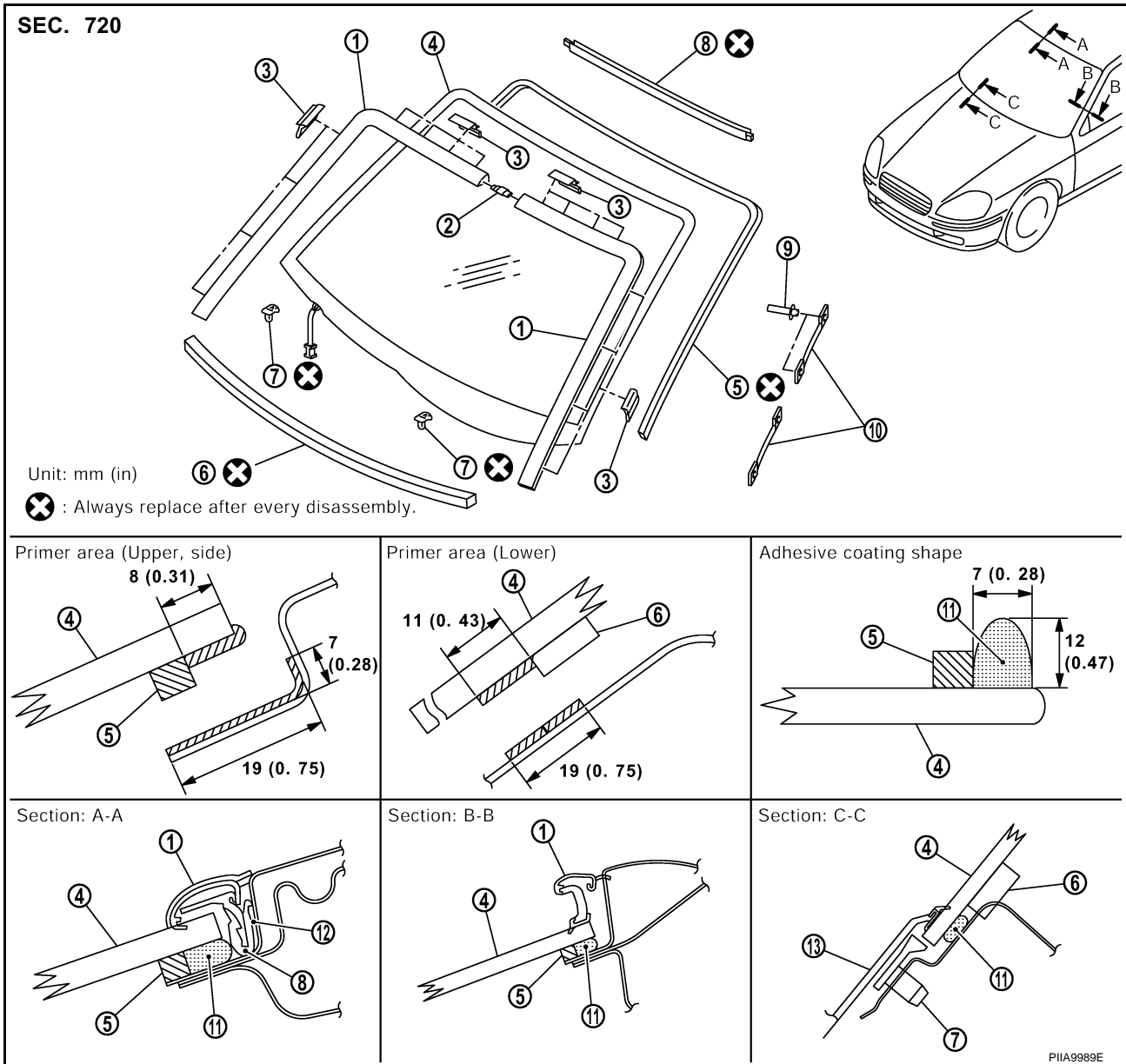
INSTALLATION

Install in the reverse order of removal.

WINDSHIELD MOLDING

Removal and Installation

EIS0091E



PIIA9989E

- | | | |
|-----------------------|-----------------------|--------------------------------|
| 1. Windshield molding | 2. Joint | 3. Clip |
| 4. Windshield glass | 5. Open cell foam dam | 6. Insulator |
| 7. Spacer | 8. Fastener (upper) | 9. Rivet |
| 10. Fastener (lower) | 11. Adhesive | 12. Double-faced adhesive tape |
| 13. Cowl top cover | | |

REMOVAL

Remove windshield molding. Refer to [GW-11, "WINDSHIELD GLASS"](#) .

INSTALLATION

Install windshield molding. Refer to [GW-11, "WINDSHIELD GLASS"](#) .

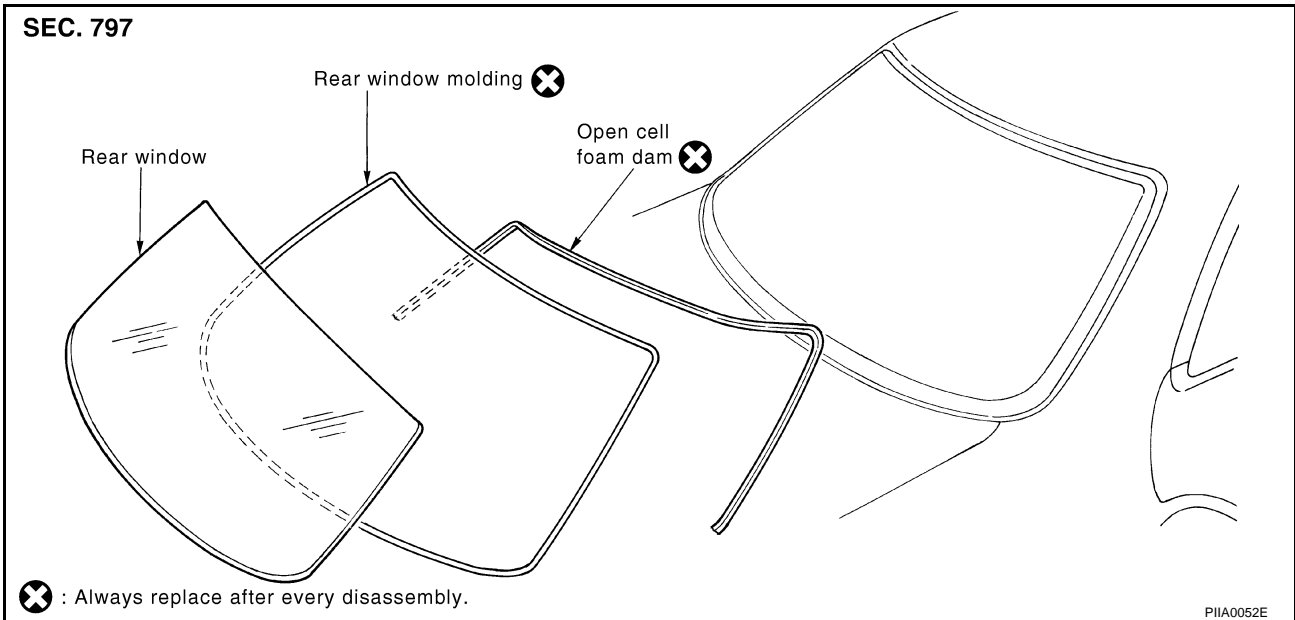
REAR WINDOW MOLDING

REAR WINDOW MOLDING

PFP:79762

Removal and Installation

EIS0091F



REMOVAL

Remove rear window molding. Refer to [GW-14, "REAR WINDOW GLASS AND MOLDING"](#) .

INSTALLATION

Install rear window molding. Refer to [GW-14, "REAR WINDOW GLASS AND MOLDING"](#) .

A
B
C
D
E
F
G
H
EI
J
K
L
M

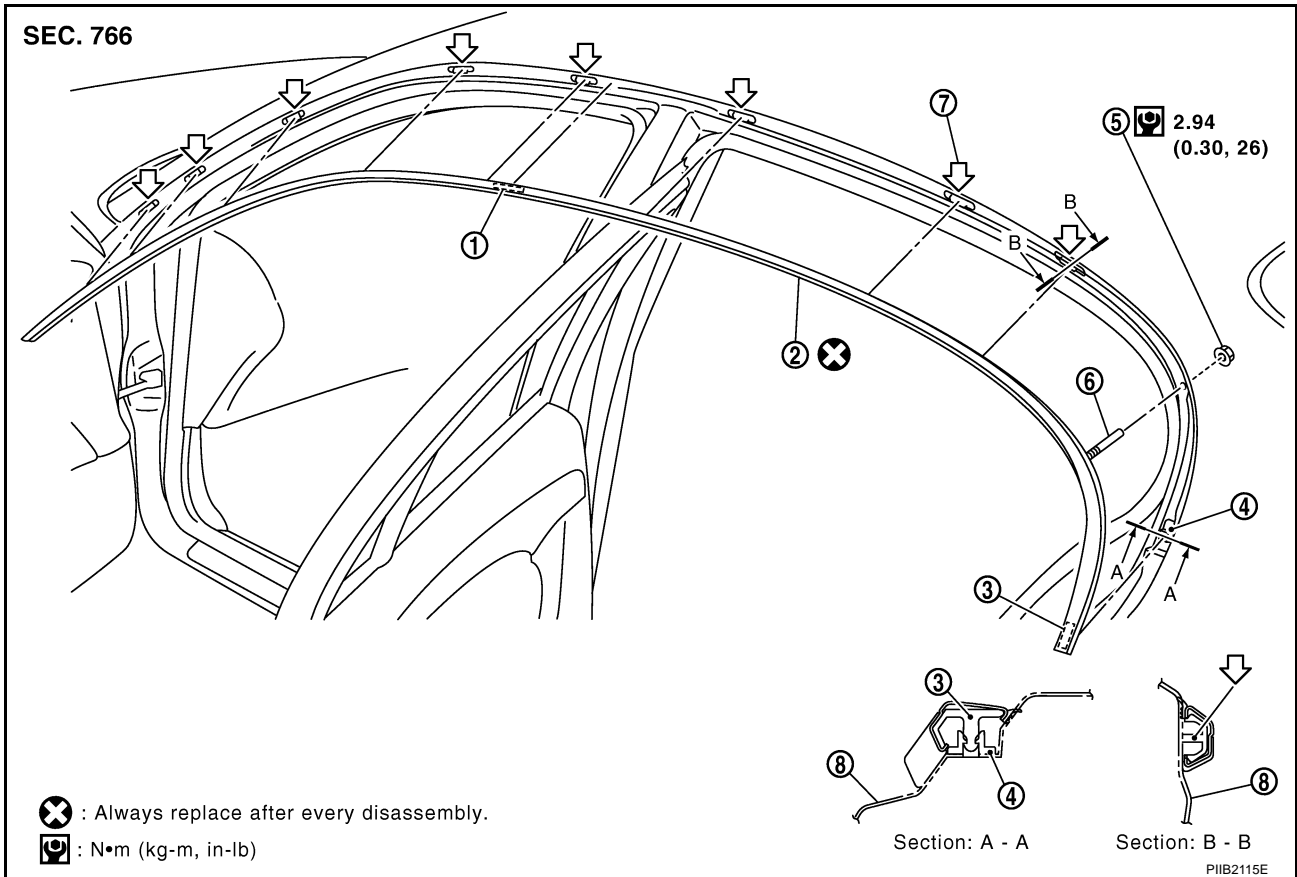
DRIP MOLDING

DRIP MOLDING

PFP:76810

Removal and Installation

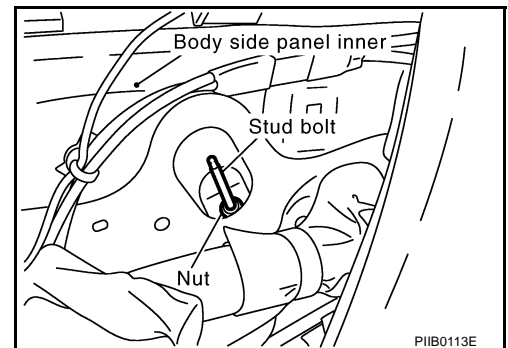
EIS000DE



- | | | |
|-------------------------|--------------------------|----------------------------|
| 1. Stopper | 2. Drip molding | 3. Clip A-A (molding side) |
| 4. Grommet (body side) | 5. Nut | 6. Clip (with stud bolt) |
| 7. Clip B-B (body side) | 8. Body side panel outer | |

REMOVAL

1. Remove rear seat cushion. Ref to [SE-195, "REAR SEAT"](#) .
2. Remove rear wheelhouse garnish and remove rear pillar finisher. Ref to [EI-42, "BODY SIDE TRIM"](#) .
3. Remove nut of drip molding from body side panel inner.



4. Disconnect clip A-A of drip molding from body side grommet.
5. Disconnect drip molding from body side clips B-B.
6. Pull out clip (with stud bolt) and remove drip molding.

INSTALLATION

Install in the reverse order of removal.

DRIP MOLDING

CAUTION:

- Insert clip (with stud bolt). Hold stopper part to avoid coming over clip B-B, and connect clip A-A.
- Connect clip B-B in order from rear side.

A

B

C

D

E

F

G

H

EI

J

K

L

M

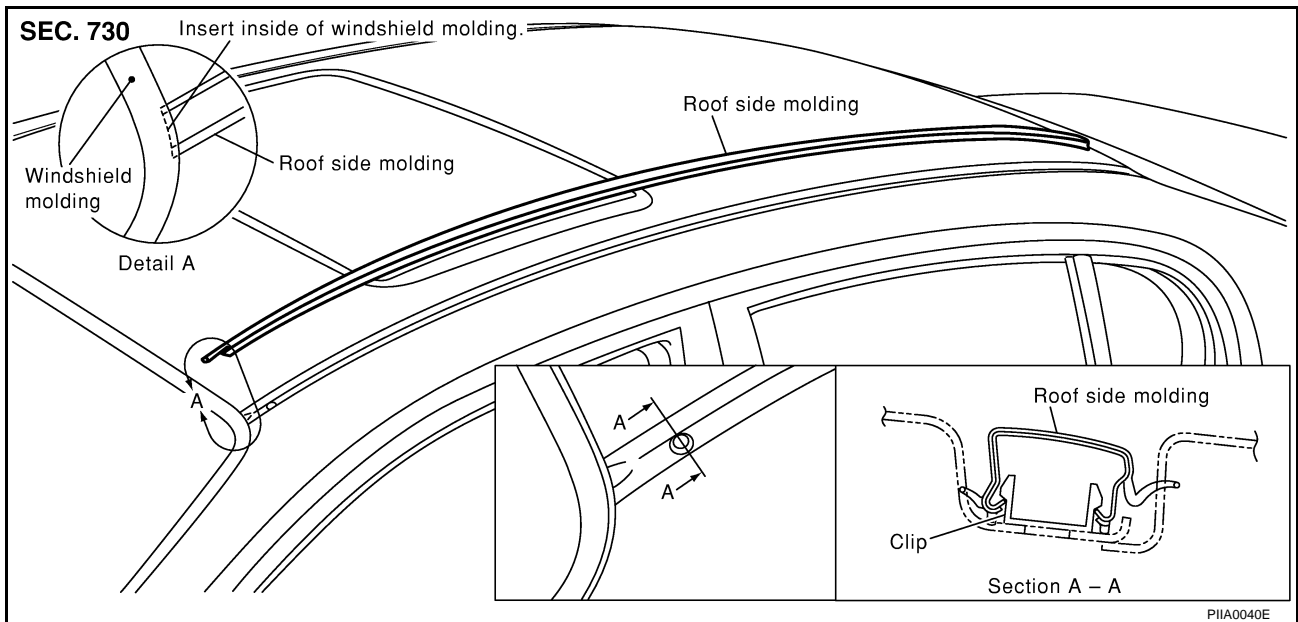
ROOF SIDE MOLDING

ROOF SIDE MOLDING

PFP:73854

Removal and Installation

EIS000DF



REMOVAL

1. Lift and twist roof side molding up from rear edge.
2. Disengage clips, and remove roof side molding.

INSTALLATION

Install in the reverse order of removal.

CAUTION:

To install roof side molding, always insert its front edge part inside of windshield molding.

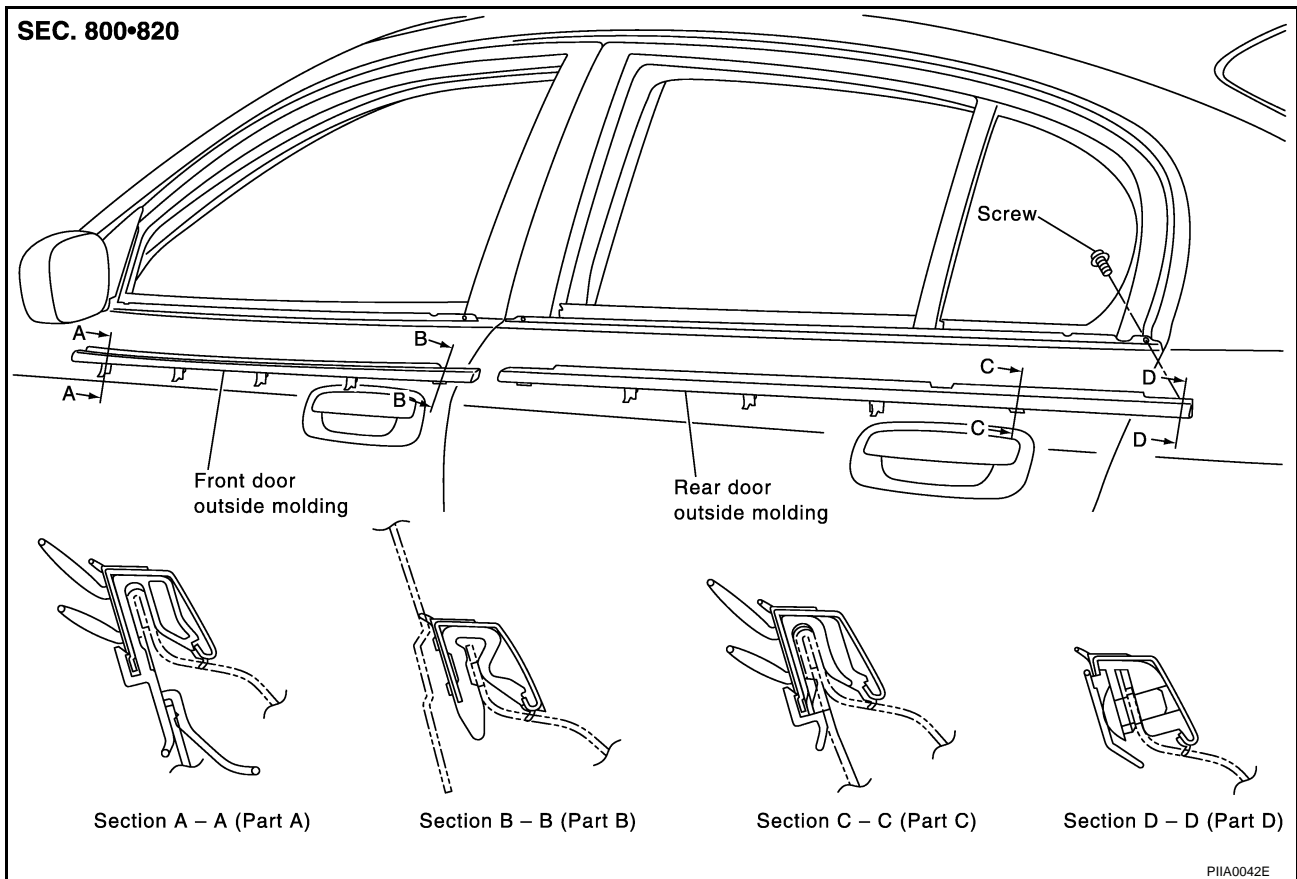
DOOR OUTSIDE MOLDING

DOOR OUTSIDE MOLDING

PF0:82820

Removal and Installation

EIS000DG



FRONT DOOR OUTSIDE MOLDING

Removal

1. Open windows fully.
2. Lift up rear edge, push down center tip of clip, and pull out molding.
3. Lift and twist from rear side, disengage clips from flange, and pull out molding to backward.

Installation

Install in the reverse order of removal.

REAR DOOR OUTSIDE MOLDING

Removal

1. Open windows fully.
2. Remove screws on rear edge.
3. Lift and twist from rear side, and disengage clips from flange.
4. Push down center tip of clip, pull out and remove molding.

Installation

Install in the reverse order of removal.

A
B
C
D
E
F
G
H
EI
J
K
L
M

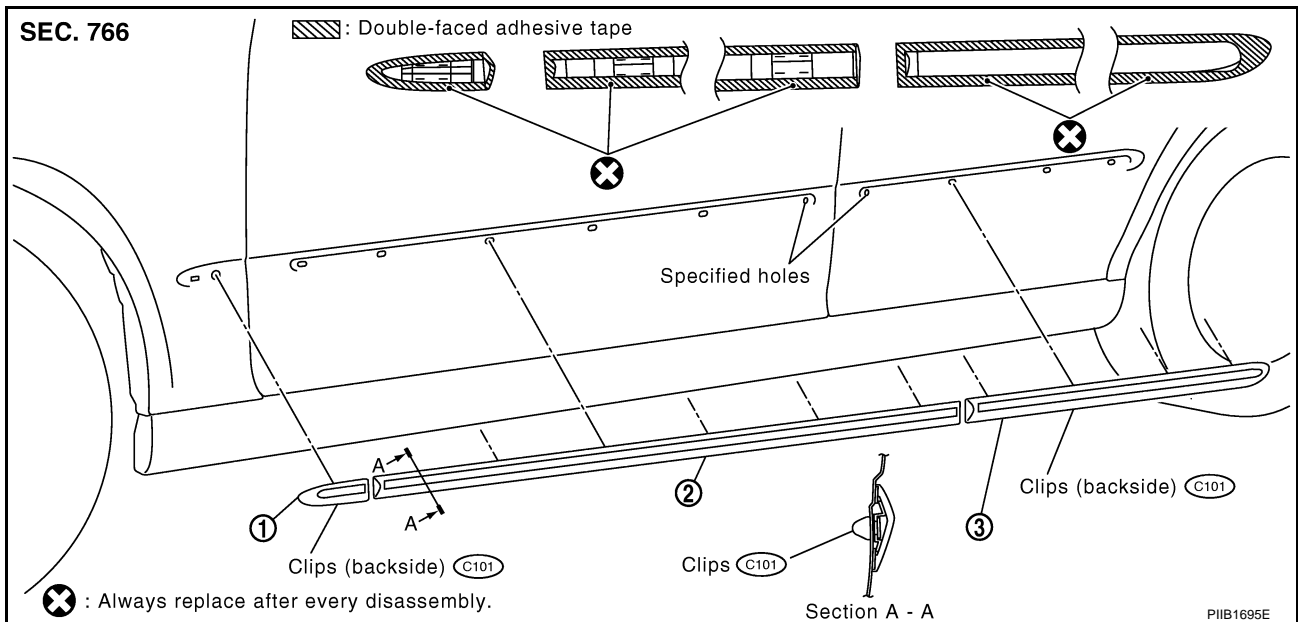
SIDE GUARD MOLDING

PFP:76840

SIDE GUARD MOLDING

Removal and Installation

EIS000DH



1. Side guard molding (front)
2. Side guard molding (center)
3. Side guard molding (rear)

REMOVAL

1. Apply masking tape around outer circumference of side guard molding.
2. Remove double-faced adhesive tapes with (wide) resin spatula. Disengage clips and remove side guard molding (front/center/rear).

INSTALLATION

1. Remove double-faced adhesive tape remaining on vehicle.
 2. Clean contact surface of vehicle (to side guard molding), and install side guard molding to vehicle.
- To re-use side guard molding, follow above steps 1 and 2 as well; clean surface after removing double-faced adhesive tape, apply new double-faced adhesive tape as shown in illustration, then install side guard molding to vehicle.

Double-faced adhesive tape

thickness: 6 mm (0.24 in) (upper side)
thickness: 8 mm (0.31 in) (lower side)

CAUTION:

- Do not let air between contact surfaces when installing.
- To secure contact, do not wash vehicle within 24 hours after installation.

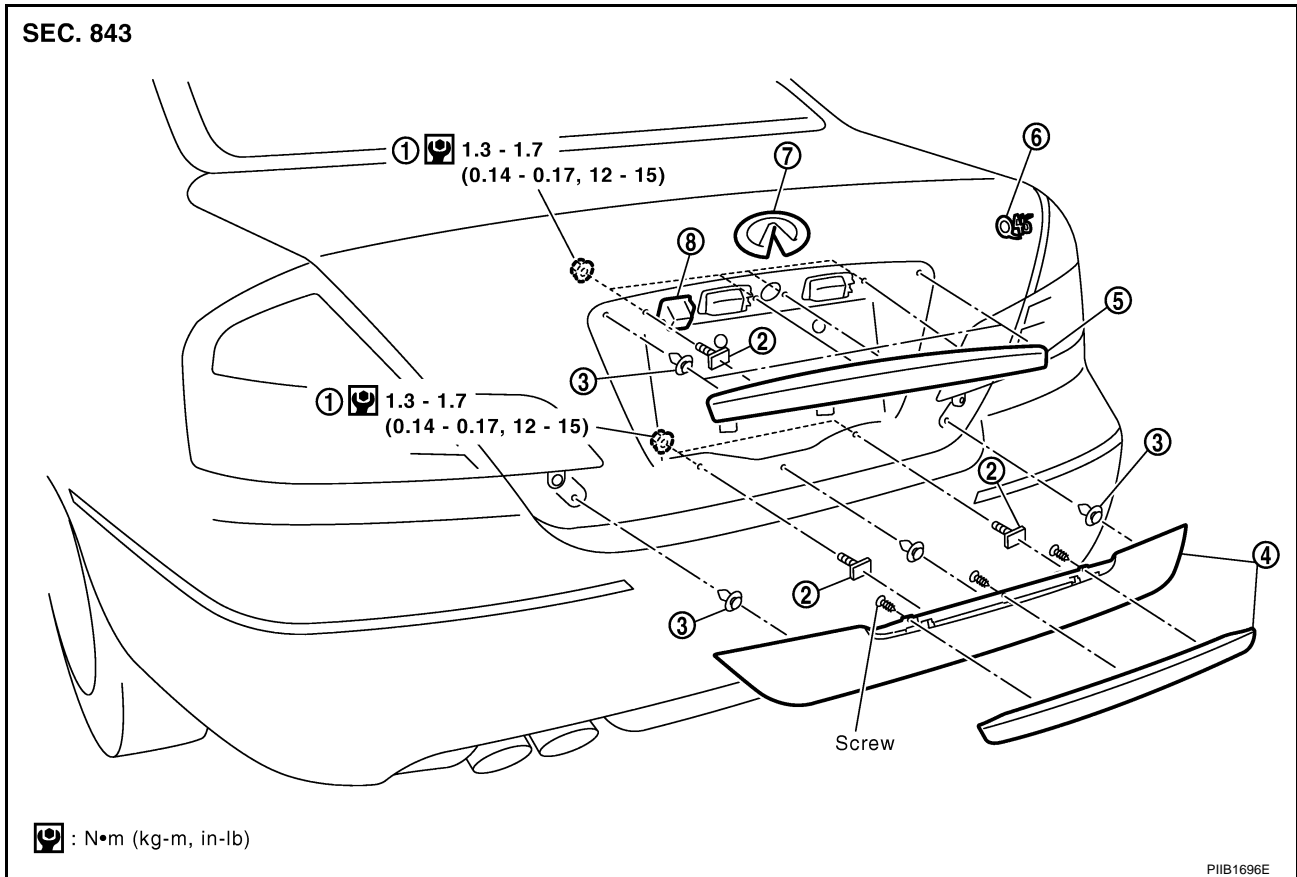
TRUNK LID FINISHER

PPF:84810

TRUNK LID FINISHER

Removal and Installation

EIS0013P

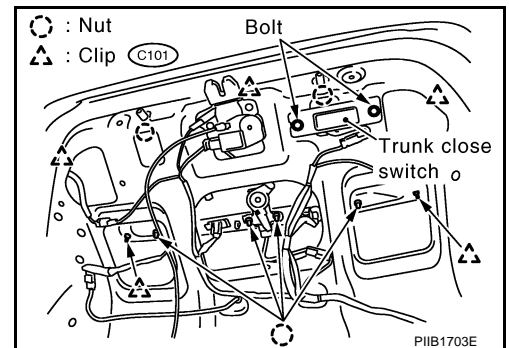


- | | | |
|-----------------------------|-----------------------|----------------|
| 1. Nut | 2. Stud bolt | 3. Clip (C101) |
| 4. Trunk lid finisher lower | 5. Trunk lid finisher | 6. Emblem |
| 7. BI mark | 8. Back view camera | |

TRUNK LID FINISHER AND TRUNK LID FINISHER LOWER

Removal

1. Open trunk lid fully.
2. Remove trunk lid finisher (inner). Refer to [EI-60, "TRUNK ROOM TRIM & TRUNK LID FINISHER"](#).
3. Remove trunk close switch assembly bolts.
4. Remove nuts of trunk lid finisher lower.
5. Remove nuts of trunk lid finisher.
6. Disengage clips, and remove trunk lid finisher, trunk lid finisher lower.



Installation

Install in the reverse order of removal.

DOOR FINISHER

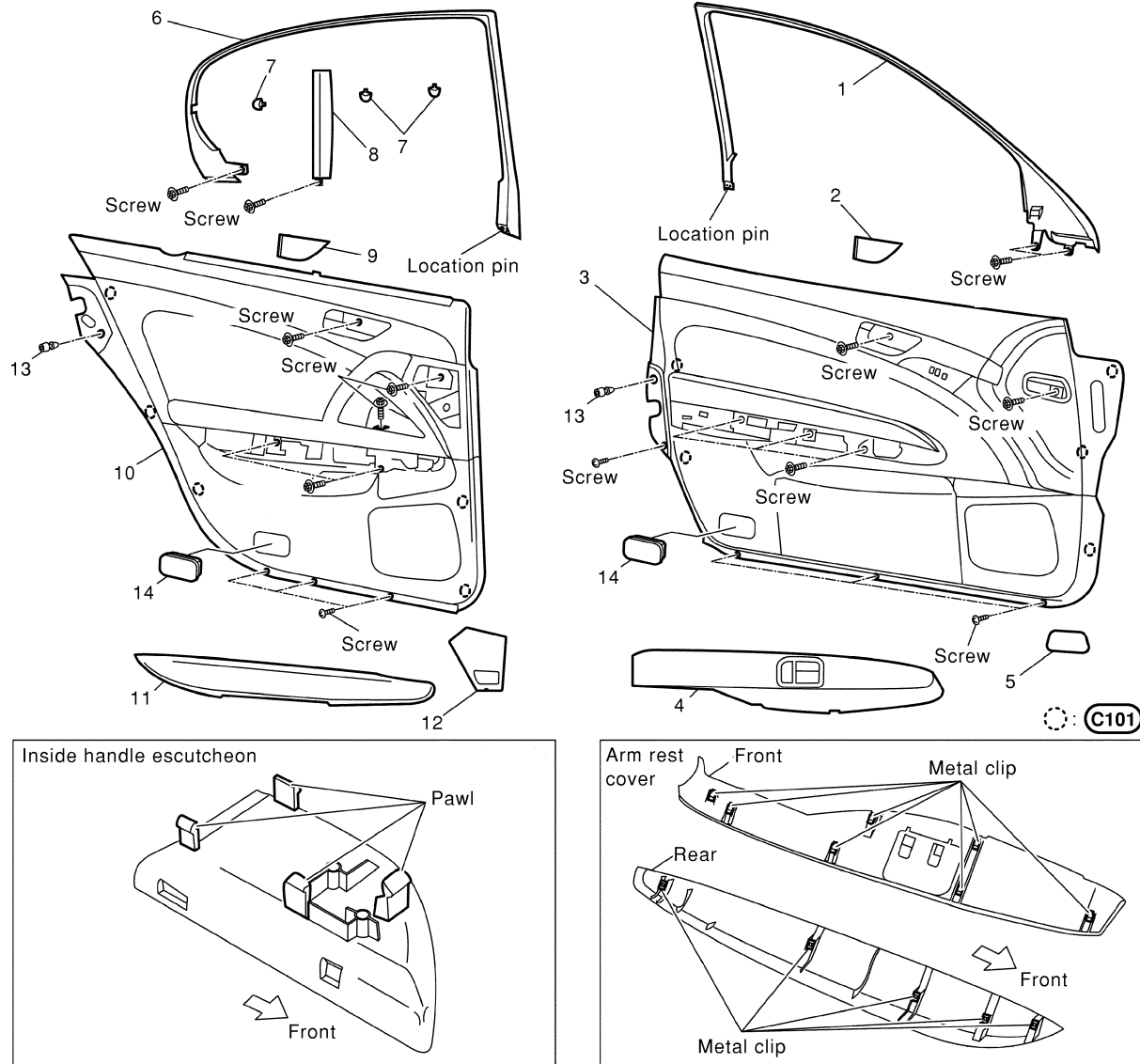
DOOR FINISHER

PFP:80900

Removal and Installation

EIS000DJ

SEC. 251•800•805•809•820•825•828



SIIA0805E

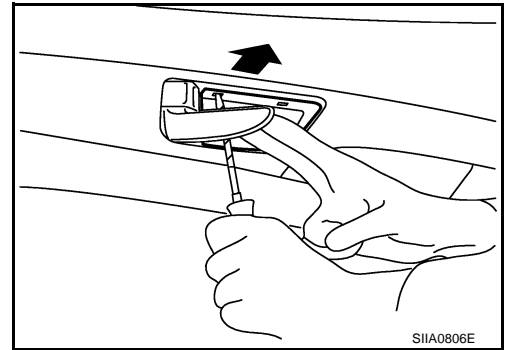
- | | | |
|---------------------------|-------------------------------------|------------------------------------|
| 1. Front door sash cover | 2. Inside handle escutcheon (front) | 3. Front door finisher |
| 4. Front armrest finisher | 5. Front door upper finisher | 6. Rear door sash cover |
| 7. Hook | 8. Rear side sunshade | 9. Inside handle escutcheon (rear) |
| 10. Rear door finisher | 11. Rear armrest finisher | 12. Rear door lower finisher |
| 13. Bumper rubber | 14. Step lamp | |

DOOR FINISHER

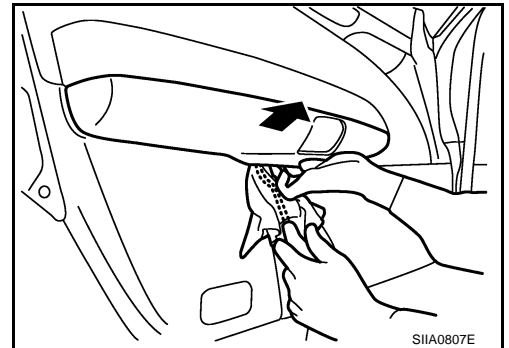
FRONT DOOR FINISHER

Removal

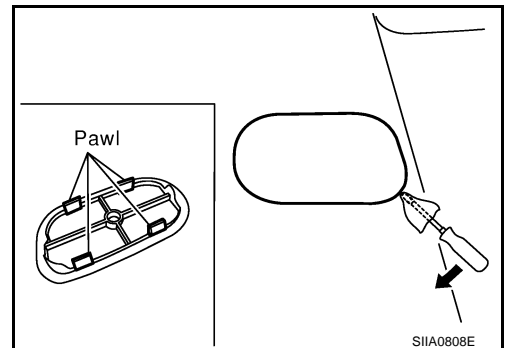
1. Insert screwdriver rolled with cloth or tapes into dip at rear of inside handle escutcheon, and pull it back to your side. Disconnect upper pawl, lower and front, and remove inside handle escutcheon.



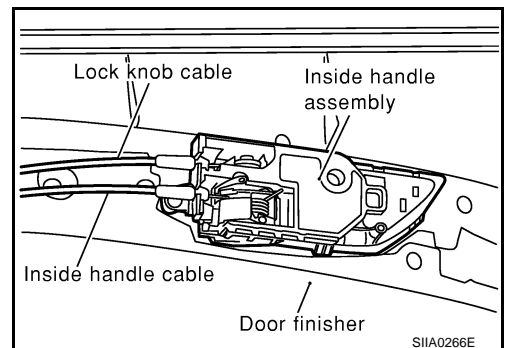
2. Insert clip screwdriver rolled with cloth into dip under arm-rest finisher, and lift up finisher. Insert your fingers between gaps, pull it back to your side and disconnect metal clips.
3. Disconnect trunk lid opener and fuel lid opener switch connector.



4. Insert screwdriver rolled with cloth under front part of front door upper finisher, pull it back to your side and remove it.



5. Disconnect power window switch connector under arm-rest.
6. Remove step lamp, and disconnect connectors.
7. Remove nine screws of door finisher.
8. Insert screwdriver rolled with cloth into clips under door finisher, and disconnect clips.
9. Pull up door finisher, and remove connectors, inside handle cable and lock knob cable.



10. Remove front door finisher clips, and remove front door finisher.

A

B

C

D

E

F

G

H

EI

J

K

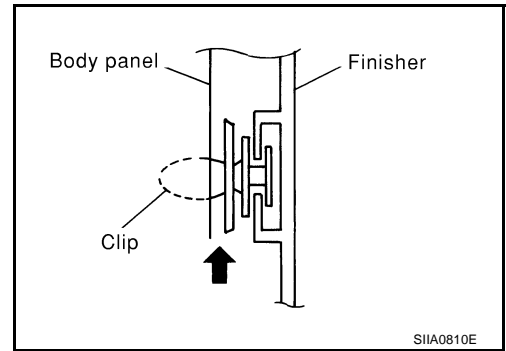
L

M

DOOR FINISHER

NOTE:

Insert screwdriver rolled with cloth between panel on vehicle and clips (as indicated with arrow).



Installation

Install in the reverse order of removal.

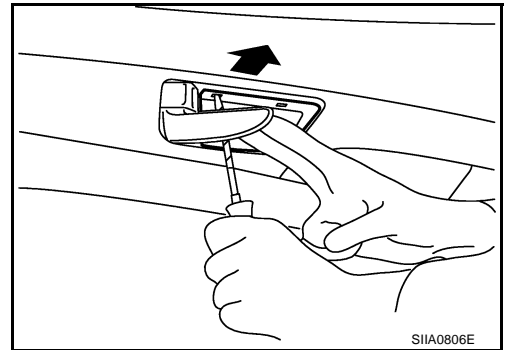
CAUTION:

To install finisher, check if all clips are matched over holes of panel on vehicle, then push in.

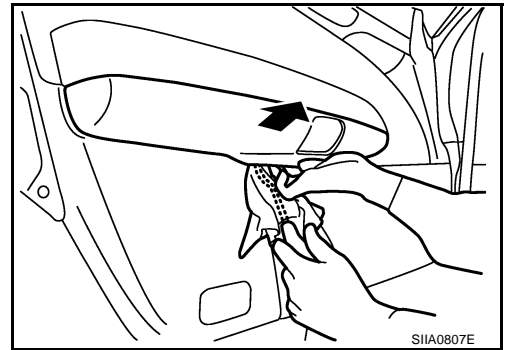
REAR DOOR FINISHER

Removal

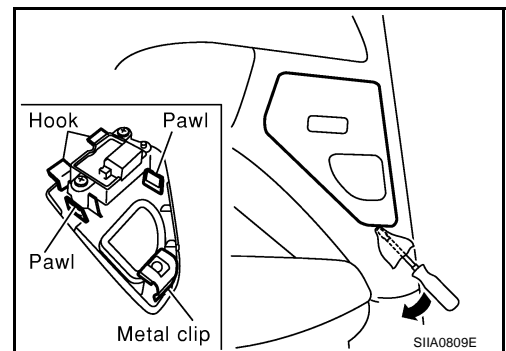
1. Insert screwdriver rolled with cloth or tape into dip at rear of inside handle escutcheon, and pull it back to your side. Disengage upper pawls, lower and front, and remove inside handle escutcheon.



2. Insert screwdriver rolled with cloth into dip under arm-rest finisher, and lift up finisher. Insert your fingers between gaps, pull it back to your side, and disconnect metal clips.



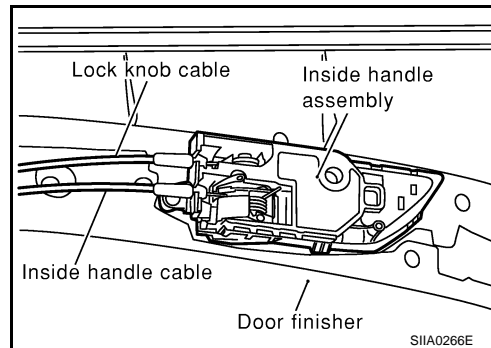
3. Insert screwdriver rolled with cloth under rear door lower finisher, and pull it back to your side. Remove rear door lower finisher and disconnect connectors.



4. Disconnect power window switch connector under arm-rest.
5. Remove step lamp, and disconnect connectors.
6. Remove seven screws of door finisher.

DOOR FINISHER

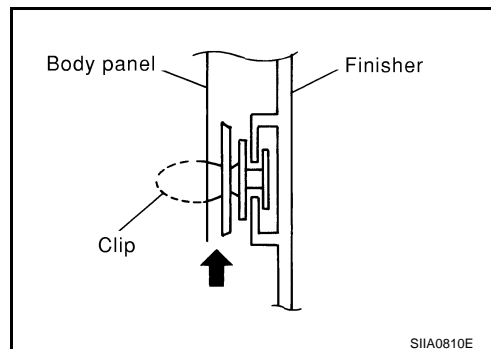
7. Insert screwdriver rolled with was cloth into clips of door finisher, and disconnect clips.
8. Pull up door finisher, and remove connectors, inside handle cable and lock knob cable.



9. Remove rear door finisher clips, and remove rear door finisher.

NOTE:

Insert screwdriver rolled with cloth between panel on vehicle and clips (as indicated with arrow).



Installation

Install in the reverse order of removal.

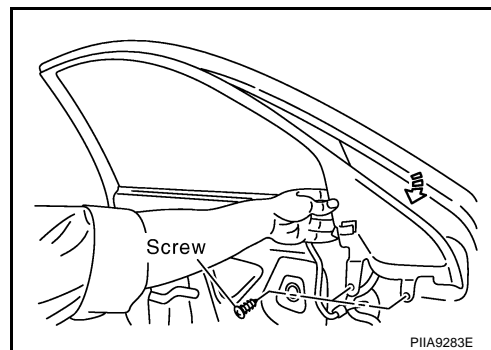
CAUTION:

To install finisher, check if all clips are matched over holes of panel on vehicle, then push in.

FRONT DOOR SASH COVER

Removal

1. Remove front door finisher.
2. Remove screws, and remove from door sush cover.



Installation

Install in the reverse order of removal.

REAR DOOR SUSH COVER

Removal

1. Remove rear door finisher.
2. Remove screw, and remove rear side sunshade.

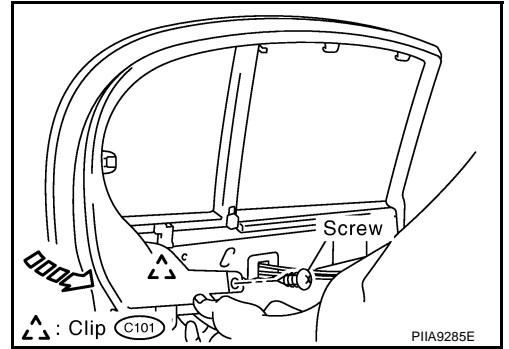
A
B
C
D
E
F
G
H

EI

J
K
L
M

DOOR FINISHER

3. Remove screw and clip of rear door sush cover.



4. Remove rear door sush cover.

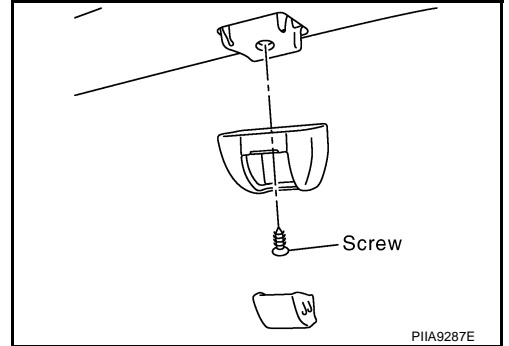
Installation

Install in the reverse order of removal.

REAR SIDE SUNSHADE HOOK

Removal

1. Remove cap of rear sunshade hook.
2. Remove screw, and remove rear sunshade hook.



Installation

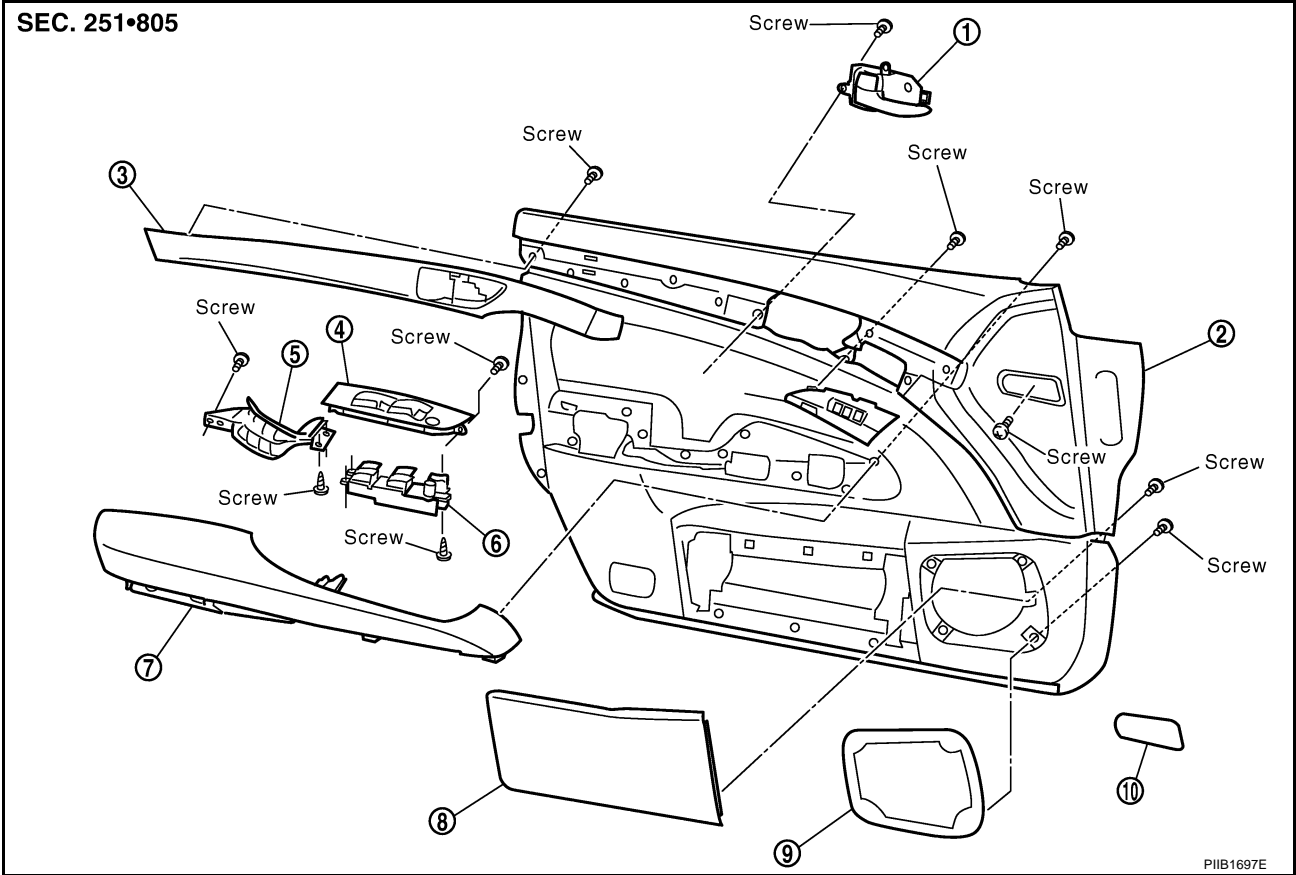
Install in the reverse order of removal.

DOOR FINISHER

Disassembly and Assembly FRONT DOOR TRIM (DRIVER SIDE)

EIS000DK

A
B
C
D
E
F
G
H
EI
J
K
L
M

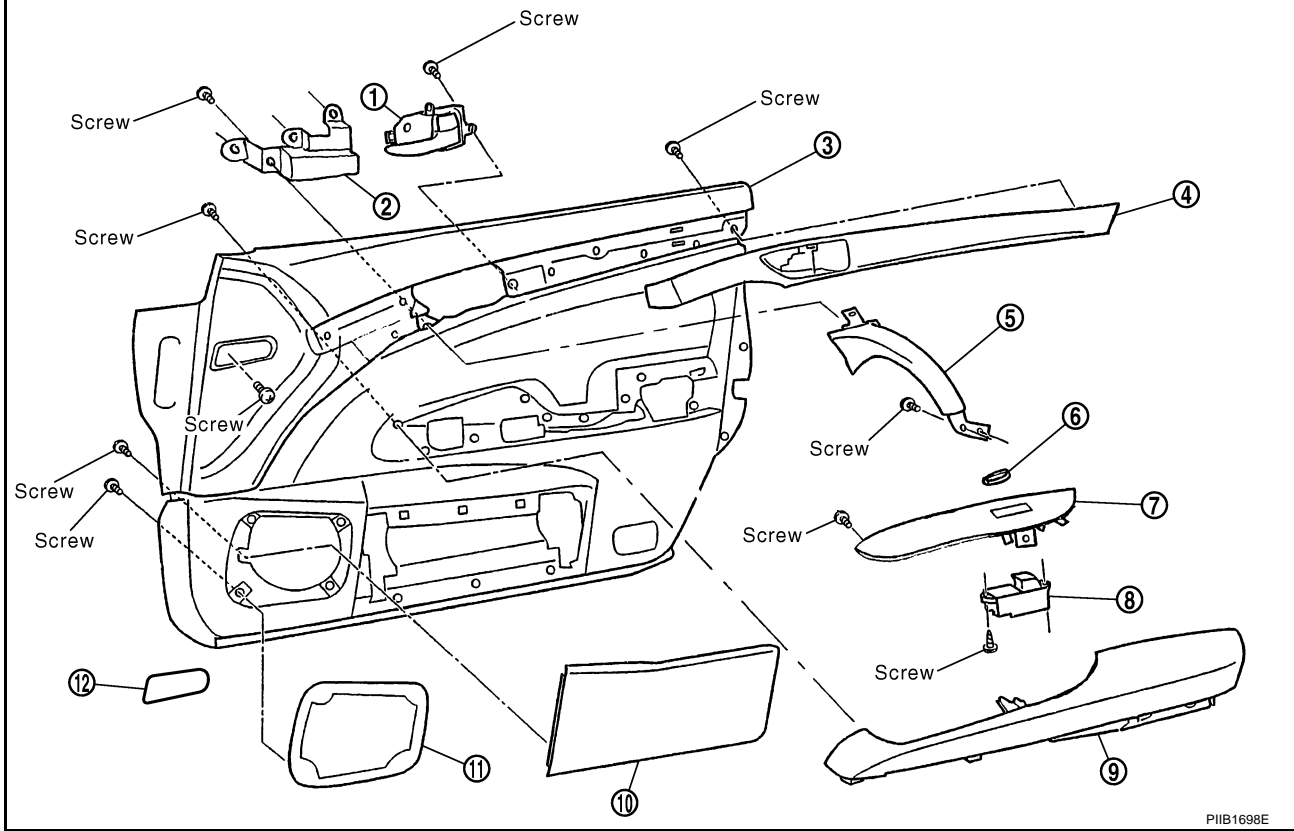


- | | | |
|---------------------------------------|------------------------|-----------------------------------|
| 1. Inside handle assembly | 2. Front door finisher | 3. Front door waist finisher |
| 4. Front power window switch finisher | 5. Pull handle | 6. Front power window switch unit |
| 7. Front door upper arm-rest | 8. Front door pocket | 9. Front door speaker grille |
| 10. Cover | | |

DOOR FINISHER

FRONT DOOR TRIM (PASSENGER SIDE)

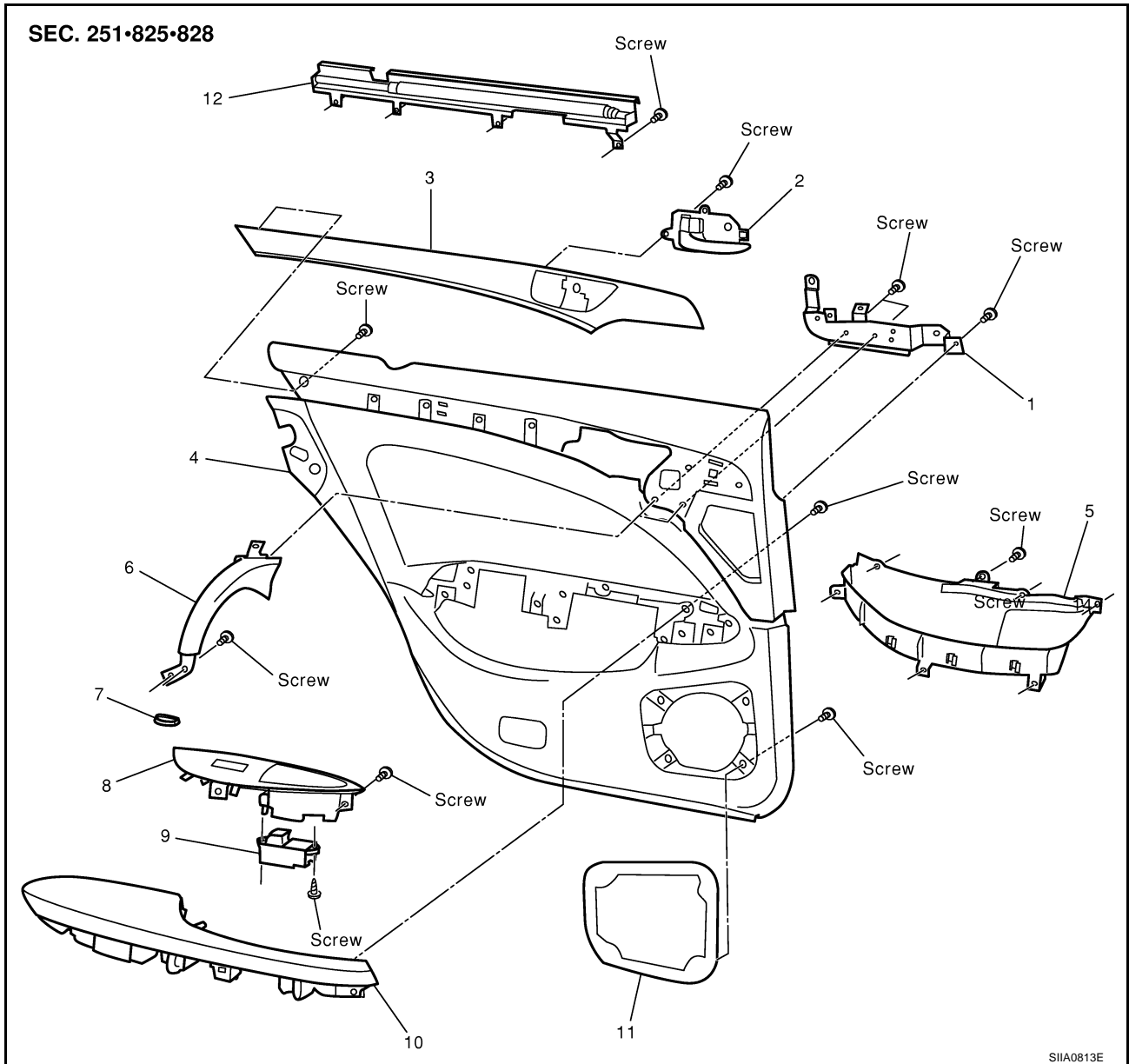
SEC. 251•809



- | | | |
|---------------------------------------|-----------------------------------|------------------------------|
| 1. Inside handle assembly | 2. Front grip bracket | 3. Front door finisher |
| 4. Front door waist finisher | 5. Front door grip | 6. Grip escutcheon |
| 7. Front power window switch finisher | 8. Front power window switch unit | 9. Front door upper arm-rest |
| 10. Front door pocket | 11. Front door speaker grille | 12. Cover |

DOOR FINISHER

REAR DOOR TRIM



A
B
C
D
E
F
G
H
EI
J
K
L
M

- | | | |
|------------------------------|--------------------------------------|----------------------------------|
| 1. Rear grip bracket | 2. Inside handle assembly | 3. Rear door waist finisher |
| 4. Rear door finisher | 5. Rear door pocket | 6. Rear door grip |
| 7. Grip escutcheon | 8. Rear power window switch finisher | 9. Rear power window switch unit |
| 10. Rear door upper arm-rest | 11. Rear door speaker grille | 12. Rear door sunshade |

SIIA0813E

BODY SIDE TRIM

PFP:76913

EIS000DL

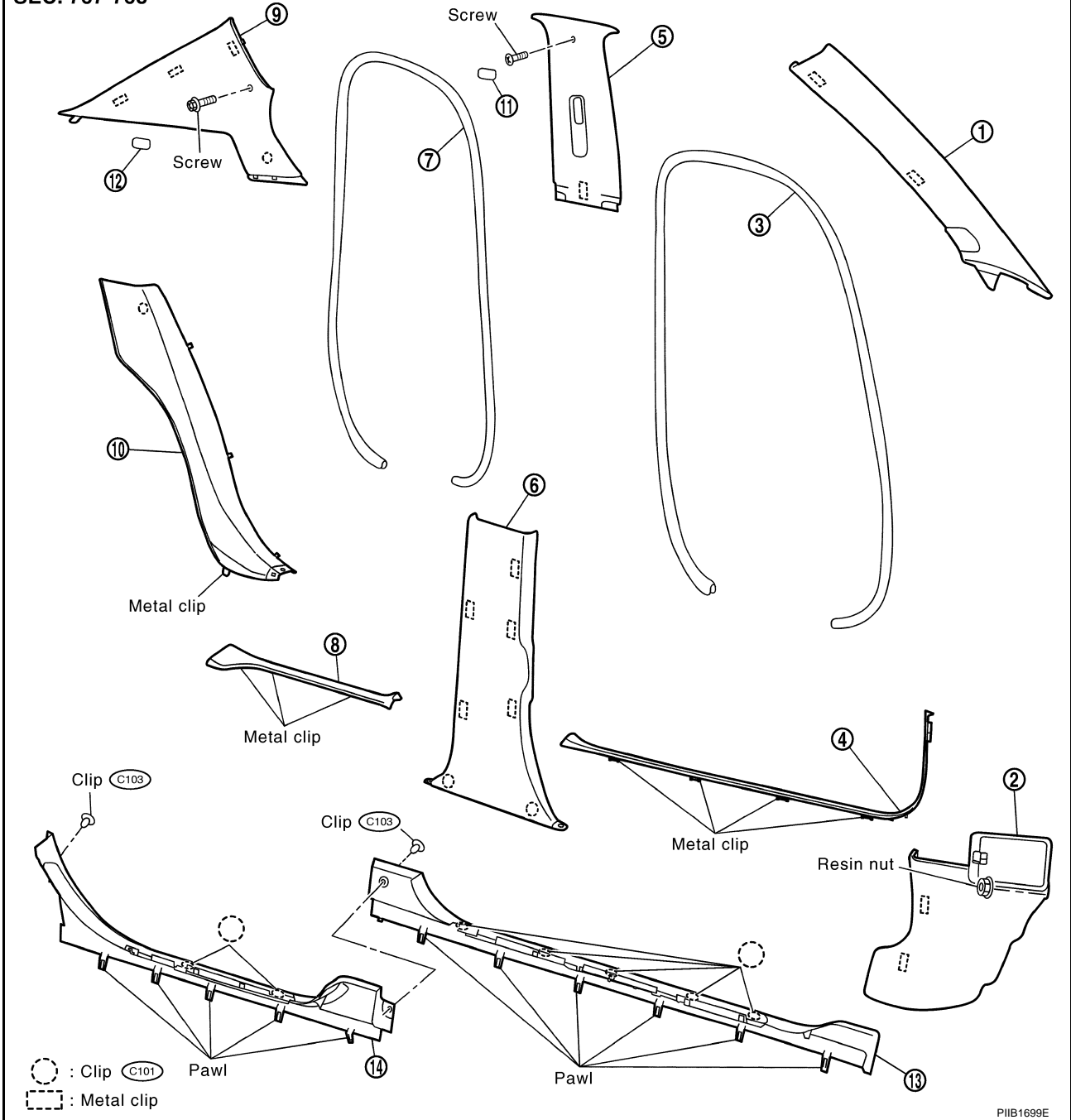
BODY SIDE TRIM

Removal and Installation

CAUTION:

- Wrap the tip of flat-bladed screwdriver with a cloth when removing metal clips from garnishes.
- When removing or installing body side welts, do not allow butyl seal to come in contact with pillar garnish.

SEC. 767•768



PIIB1699E

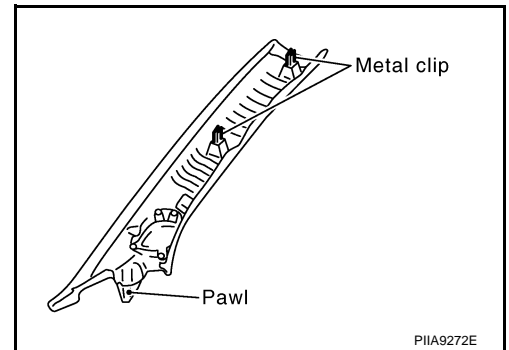
- | | | |
|-------------------------------|------------------------------|--------------------------------|
| 1. Front pillar garnish | 2. Dash side finisher | 3. Front body side welt |
| 4. Front kicking plate | 5. Center pillar garnish | 6. Center pillar lower garnish |
| 7. Rear body side welt | 8. Rear kicking plate | 9. Rear pillar finisher |
| 10. Rear wheelhouse garnish | 11. Center pillar upper cap | 12. Rear pillar upper cap |
| 13. Mudguard finisher (front) | 14. Mudguard finisher (rear) | |

BODY SIDE TRIM

FRONT PILLAR GARNISH

Removal

1. Remove front body side welt.
2. Remove clips, and remove front pillar garnish.



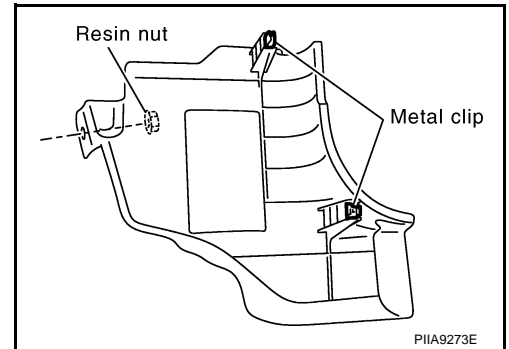
Installation

Install in the reverse order of removal.

DASH SIDE FINISHER

Removal

1. Remove front kicking plate.
2. Remove clips and resin nut of dash side finisher.
3. Remove dash side finisher.



Installation

Install in the reverse order of removal.

FRONT BODY SIDE WELT

Removal

Remove front body side welt.

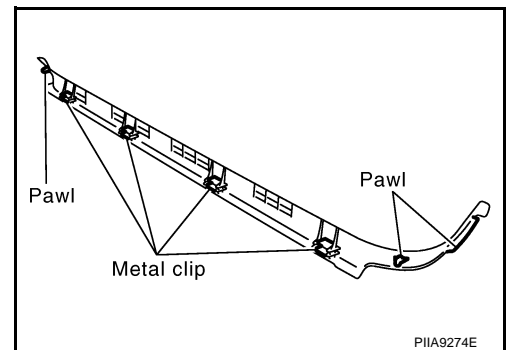
Installation

Install in the reverse order of removal.

FRONT KICKING PLATE

Removal

Remove clips, and remove front kicking plate.



Installation

Install in the reverse order of removal.

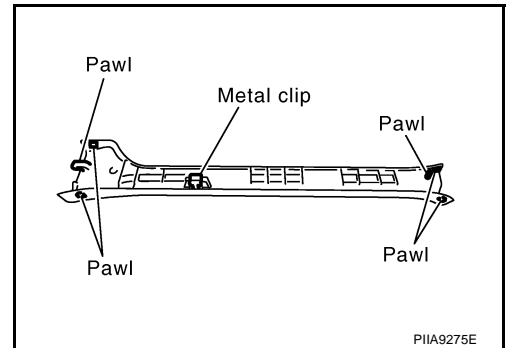
A
B
C
D
E
F
G
H
EI
J
K
L
M

BODY SIDE TRIM

REAR KICKING PLATE

Removal

Remove clips, and remove rear kicking plate.



Installation

Install in the reverse order of removal.

REAR BODY SIDE WELT

Removal

Remove rear body side welt.

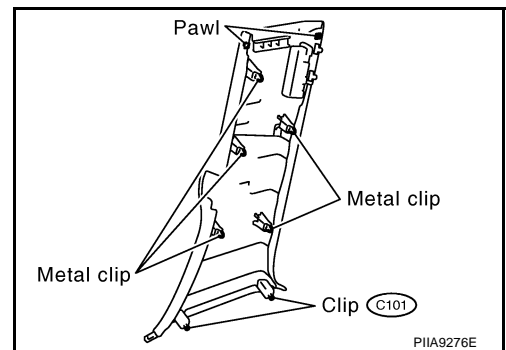
Installation

Install in the reverse order of removal.

CENTER PILLAR LOWER GARNISH

Removal

1. Remove front and rear kicking plate.
2. Remove front and rear body side welt.
3. Remove screw, and remove rear cooler inlet grille.
4. Remove clips, and remove center pillar lower garnish.



Installation

Install in the reverse order of removal.

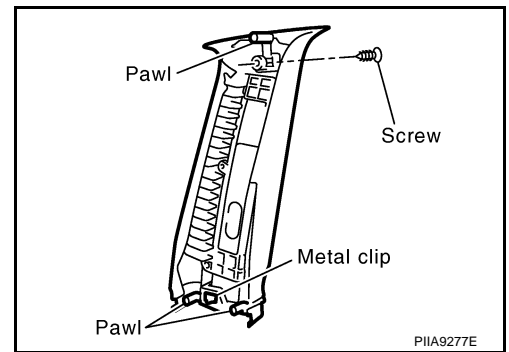
CENTER PILLAR UPPER GARNISH

Removal

1. Remove front seat belt shoulder anchor. Refer to [SB-4, "Removal and Installation of Front Seat Belt"](#) .
2. Remove front and rear body side welt.
3. Remove front and rear kicking plate.
4. Remove center pillar lower garnish.

BODY SIDE TRIM

5. Remove cap and screw of center pillar upper garnish.
6. Remove center pillar upper garnish.



A
B
C
D

Installation

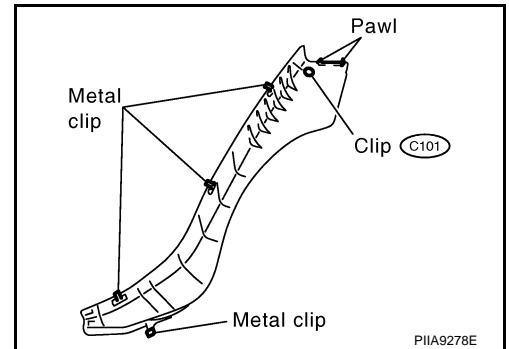
Install in the reverse order of removal.

REAR WHEELHOUSE GARNISH

Removal

1. Remove rear seat cushion. Refer to [SE-195, "REAR SEAT"](#).
2. Remove rear kicking plate.
3. Remove rear body side welt.
4. Remove clips, and remove rear wheelhouse garnish.

E
F

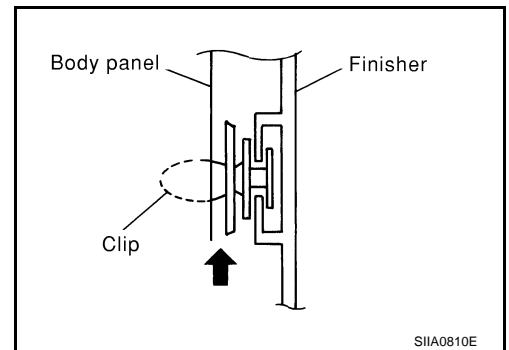


G
H

NOTE:

Insert screwdriver rolled with cloth between panel on vehicle and clips (as indicated with arrow).

EI



J
K
L
M

Installation

Install in the reverse order of removal.

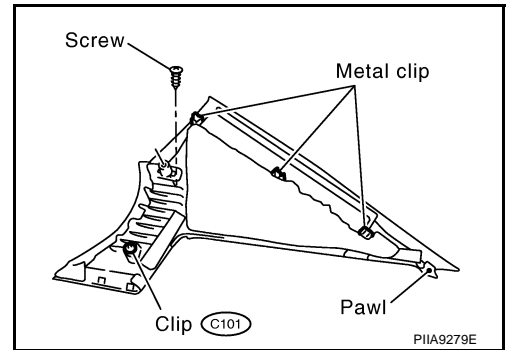
REAR PILLAR FINISHER

Removal

1. Remove rear seat. Refer to [SE-195, "Removal and Installation"](#).
2. Remove rear kicking plate.
3. Remove rear wheelhouse garnish.
4. Remove rear body side welt.

BODY SIDE TRIM

5. Remove cap and screw of rear pillar finisher.
6. Remove clips, and remove rear pillar finisher.



Installation

Install in the reverse order of removal.

CAUTION:

To install, check if all clips are matched over holes of panel on vehicle, then push on.

MUDGUARD FINISHER (FRONT/REAR)

Removal

1. Remove clips of mudguard finisher.
2. Remove pawls, and remove mudguard finisher (front/rear).

Installation

Install in the reverse order of removal.

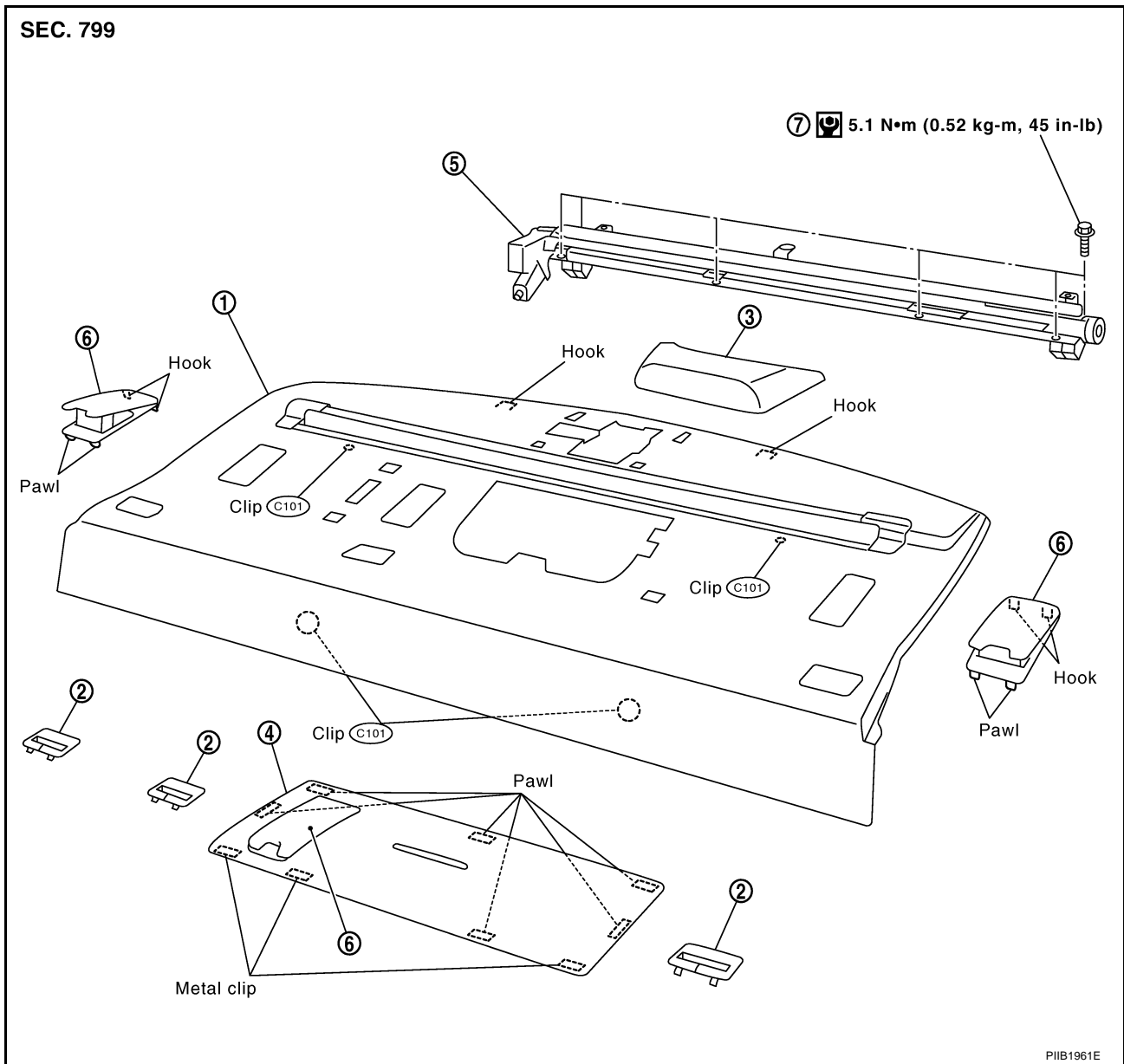
REAR PARCEL SHELF FINISHER

PFP:79910

REAR PARCEL SHELF FINISHER

Removal and Installation

EIS000DM



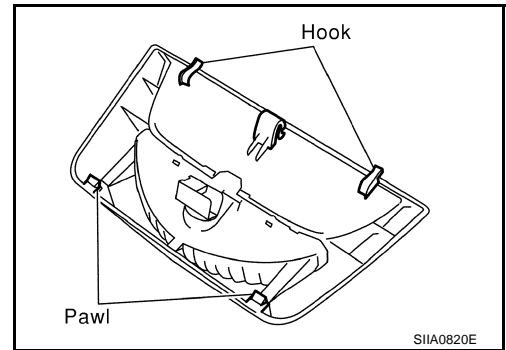
- | | | |
|-------------------------------|-------------------------|---|
| 1. Rear parcel shelf finisher | 2. Seat belt escutcheon | 3. High mounted stop lamp |
| 4. Woofer grille | 5. Rear sunshade | 6. Top tether strap child restraint cover |
| 7. Bolt | | |

REMOVAL

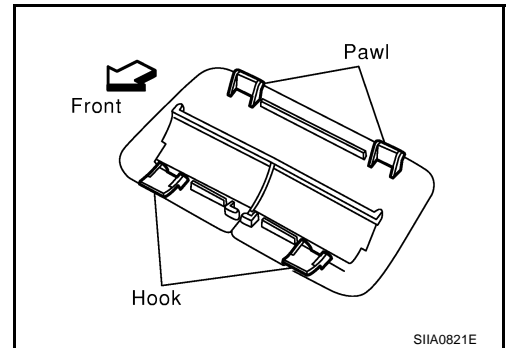
1. Remove rear seat. Refer to [SE-195, "Removal and Installation"](#).
2. Remove rear seat belt floor anchor bolts. Refer to [SB-6, "Removal and Installation of Rear Seat Belt"](#).
3. Remove rear pillar finisher. Refer to [EI-42, "Removal and Installation"](#).

REAR PARCEL SHELF FINISHER

4. Remove high-mounted stop lamp, and disconnect harness connector.



5. Remove woofer grille.
6. Remove seat belt escutcheon.



7. Remove clips, and remove rear parcel shelf finisher.

INSTALLATION

Install in the reverse order of removal.

CAUTION:

- Confirm hooks of rear parcel shelf finisher are completely inserted into holes on vehicle side.
- Confirm clips are matched over holes on vehicle side, then push on.

Removal of rear sunshade

1. Remove bolts of rear sunshade.
2. Disconnect rear sunshade harness connector.
3. Remove rear sunshade assembly.

Installation of rear sunshade

Install in the reverse order of removal.

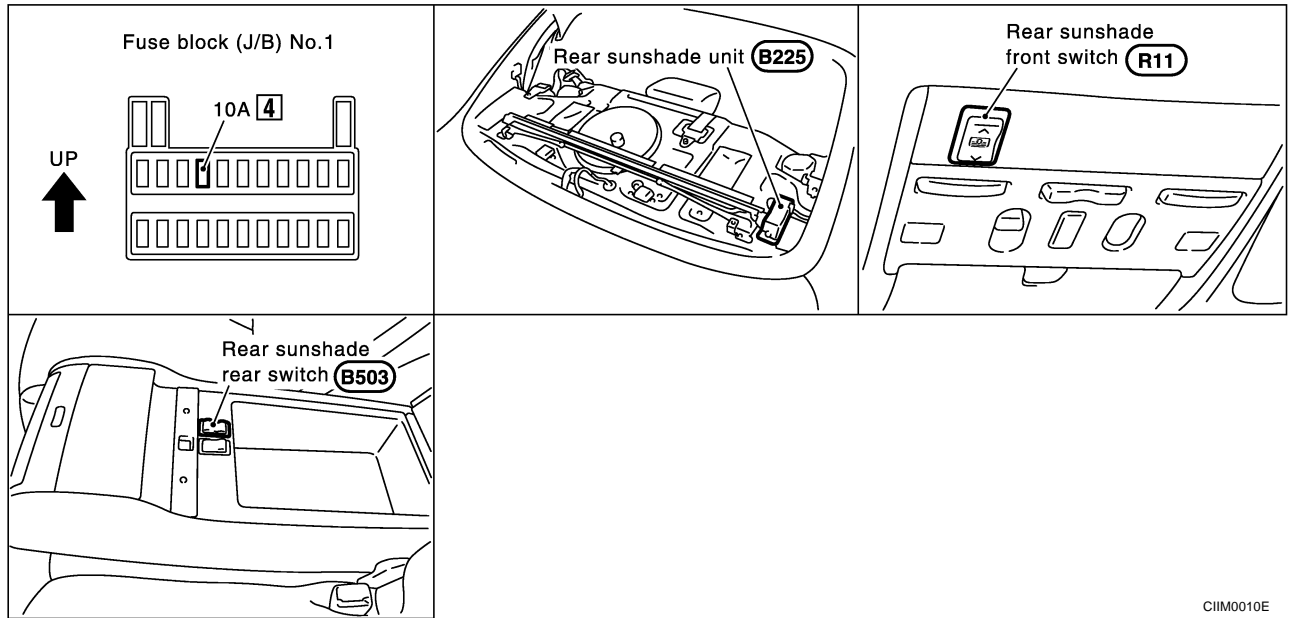
SUNSHADE

SUNSHADE

PPF:97580

Component Parts and Harness Connector Location

EIS0014Q



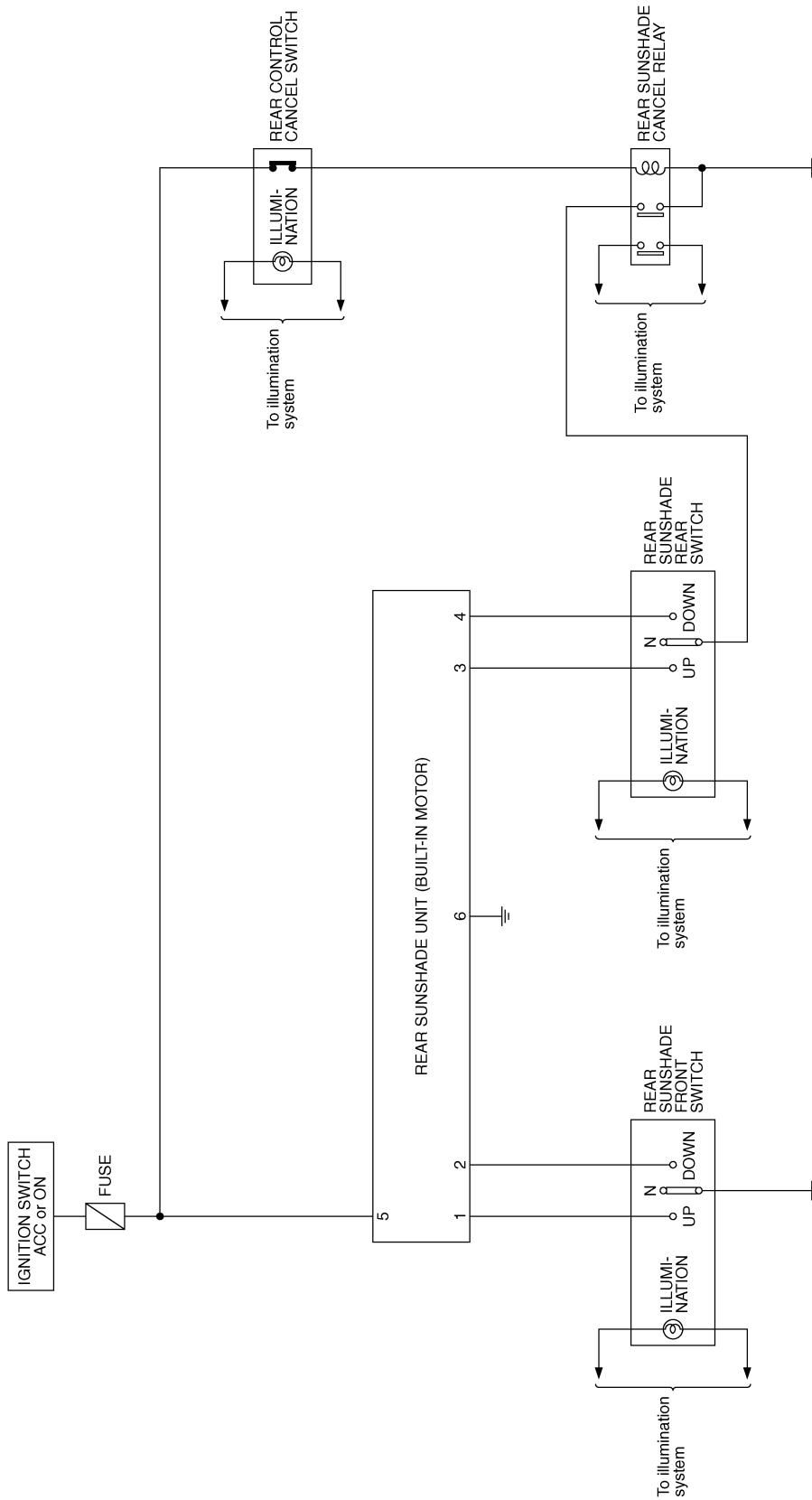
CIIM0010E

A
B
C
D
E
F
G
H
EI
J
K
L
M

SUNSHADE

Schematic

EIS003NU



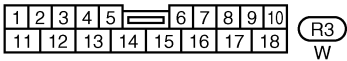
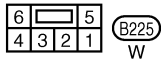
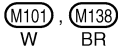
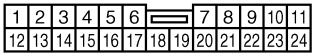
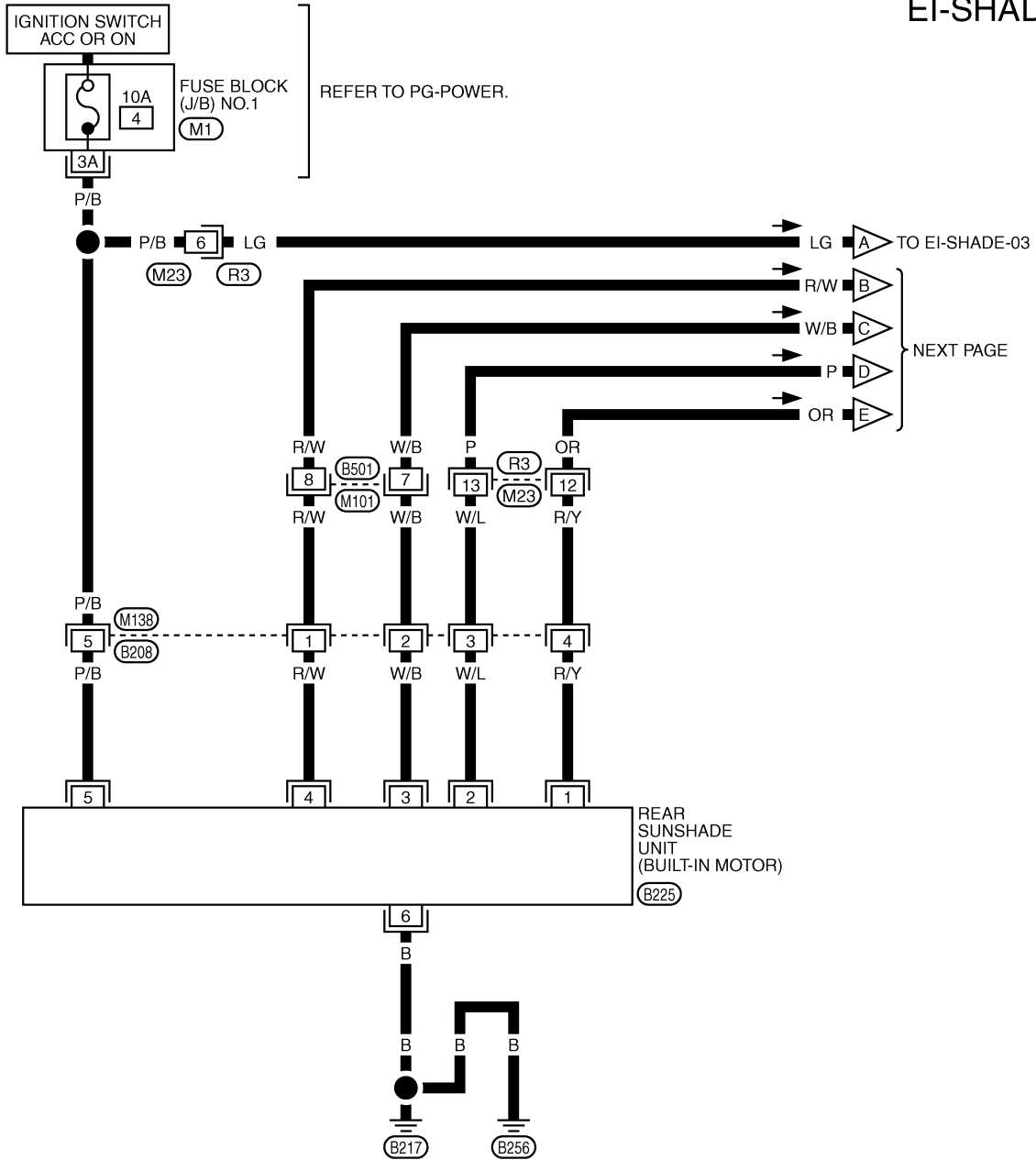
TIWM0149E

SUNSHADE

Wiring Diagram — SHADE —

EIS0014R

EI-SHADE-01



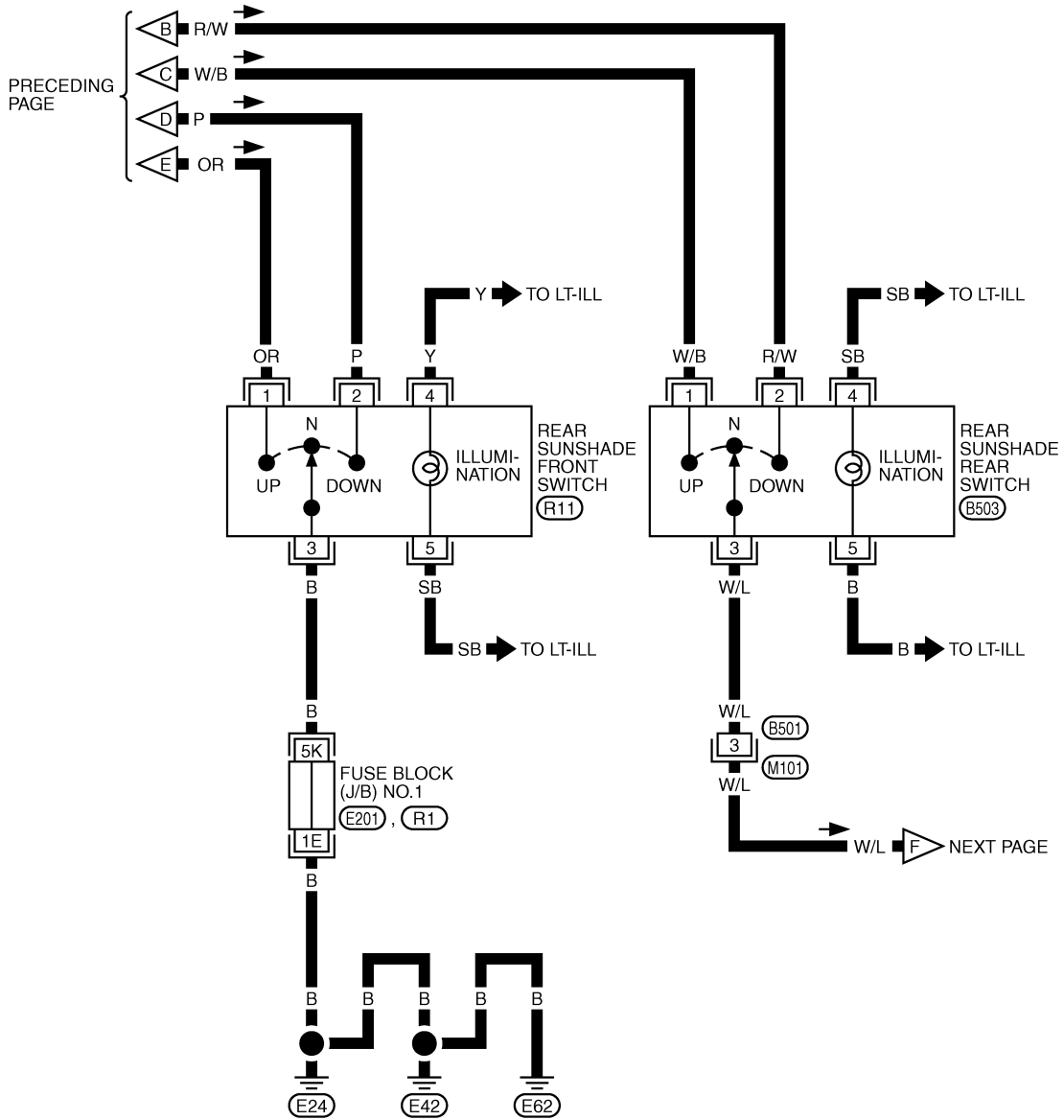
REFER TO THE FOLLOWING.

(M1) - FUSE BLOCK-JUNCTION BOX (J/B) NO.1

TWMM0717E

SUNSHADE

EI-SHADE-02



1	2	3	4	5	6	7	8	9	10	11		
12	13	14	15	16	17	18	19	20	21	22	23	24

(M101)
W

(B503), (R11)
W W

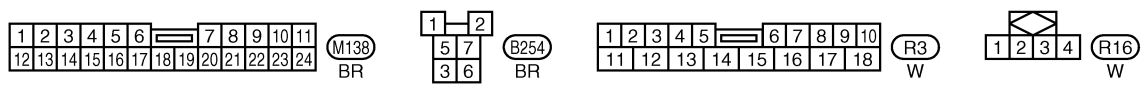
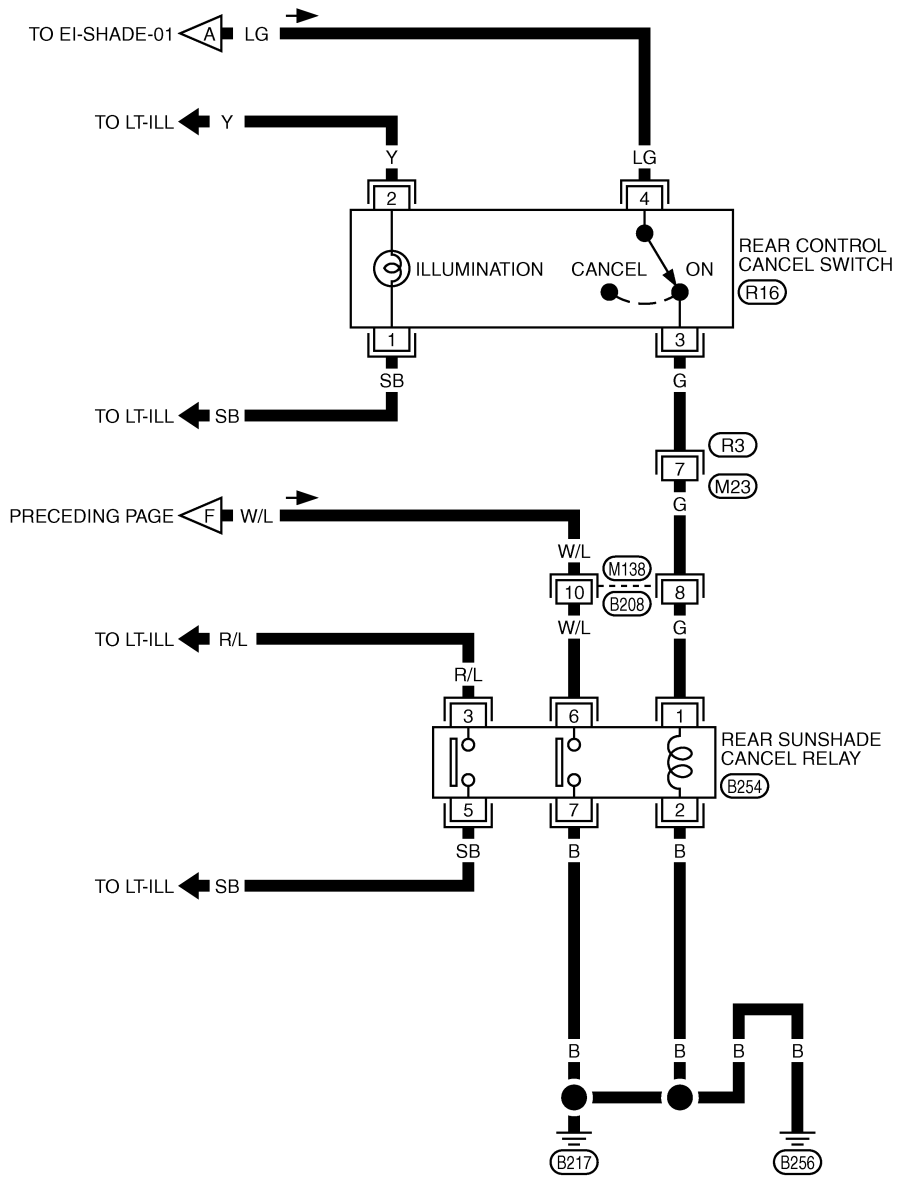
REFER TO THE FOLLOWING.
(E201), (R1) - FUSE BLOCK-
JUNCTION BOX (J/B) NO.1

TIWM0718E

SUNSHADE

EI-SHADE-03

A
B
C
D
E
F
G
H
EI
J
K
L
M



TIWM0719E

SUNSHADE

Terminals and Reference Value for Rear Sunshade Control Unit

EIS0014S

Terminal	Wire color	Item	Condition	Voltage (V) (Approx.)
1	R/Y	Rear sunshade front switch UP signal	When rear sunshade front switch operates	5 → 0
2	W/L	Rear sunshade front switch DOWN signal	When rear sunshade front switch operates	5 → 0
3	W/B	Rear sunshade rear switch UP signal	When rear sunshade rear switch operates	Rear control cancel switch (OFF) 5 → 0
				Rear control cancel switch (ON) 5
4	R/W	Rear sunshade rear switch DOWN signal	When rear sunshade rear switch operates	Rear control cancel switch (OFF) 5 → 0
				Rear control cancel switch (ON) 5
5	P/B	Ignition switch ACC signal	—	Battery voltage
6	B	Ground	—	0

FLOOR TRIM

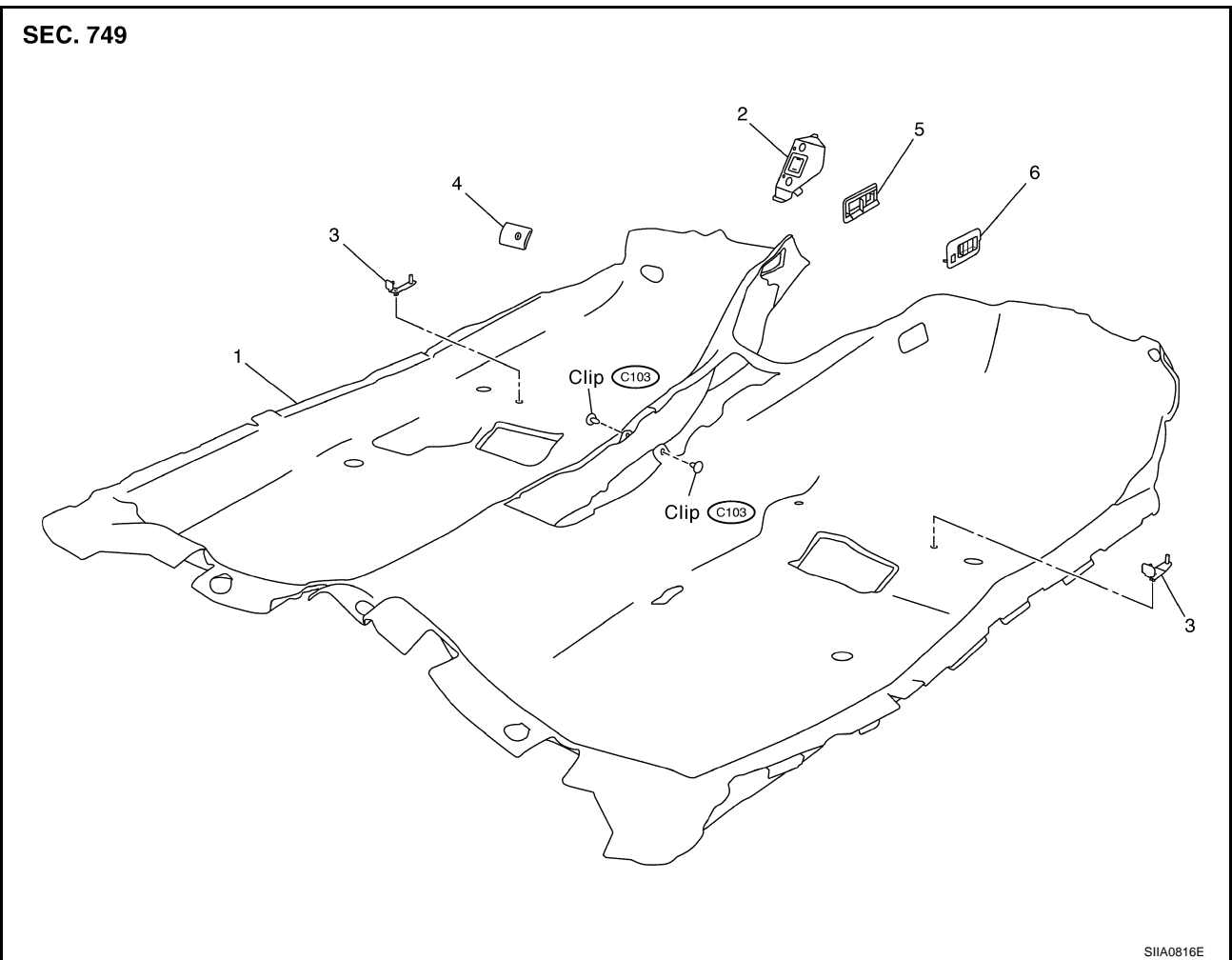
FLOOR TRIM

PPF:74902

Removal and installation

EIS00072

A
B
C
D
E
F
G
H



- | | | |
|------------------------------|-------------------------|--------------------------|
| 1. Floor carpet | 2. Foot-rest | 3. Carpet hook |
| 4. Accelerator pedal stopper | 5. Heater nozzle (left) | 6. Heater nozzle (right) |

EI

J

K

L

M

REMOVAL

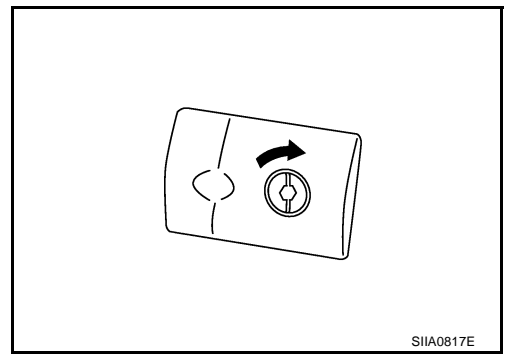
1. Remove front seat and rear seat cushions. Refer to [SE-186, "FRONT SEAT"](#) and [SE-195, "REAR SEAT"](#).
2. Remove center console and ashtray. Refer to [IP-10, "INSTRUMENT PANEL ASSEMBLY"](#).
3. Remove front and rear kicking plate.
4. Remove front and rear body side welt.
5. Remove center pillar lower garnish.
6. Remove dash side finisher.

NOTE:

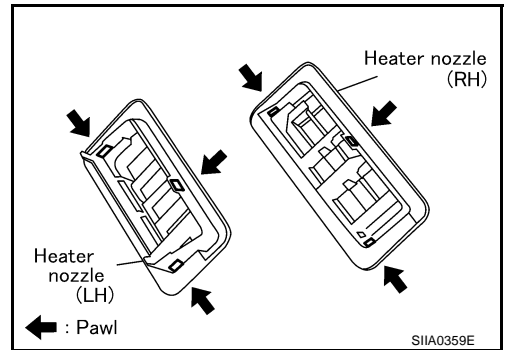
For steps 3 to 6, refer to [EI-42, "Removal and Installation"](#).

FLOOR TRIM

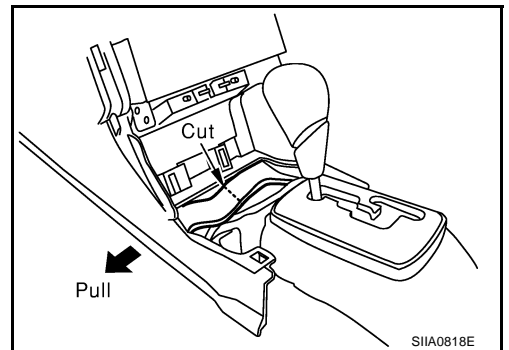
7. Turn hexagon wrench in counterclockwise, and remove accelerator pedal stopper from stud bolts on vehicle.



8. Remove heater nozzle.



9. Cut front part of carpet, and pull to both side. Pull carpet to rear of vehicle, and remove.



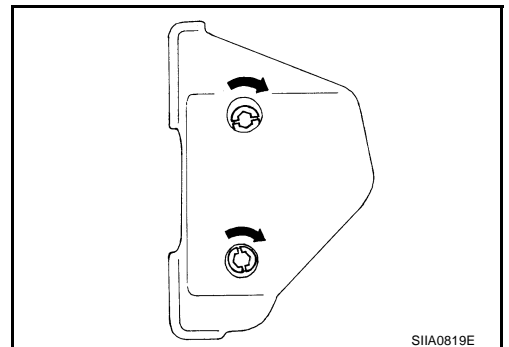
INSTALLATION

Install in the reverse order of removal.

FOOT-REST

Removal

1. Turn up floor carpet on driver's seat.
2. Turn hexagon wrench to counterclockwise, and remove foot-rest from stud bolts on vehicle.



Installation

Install in the reverse order of removal.

HEADLINING

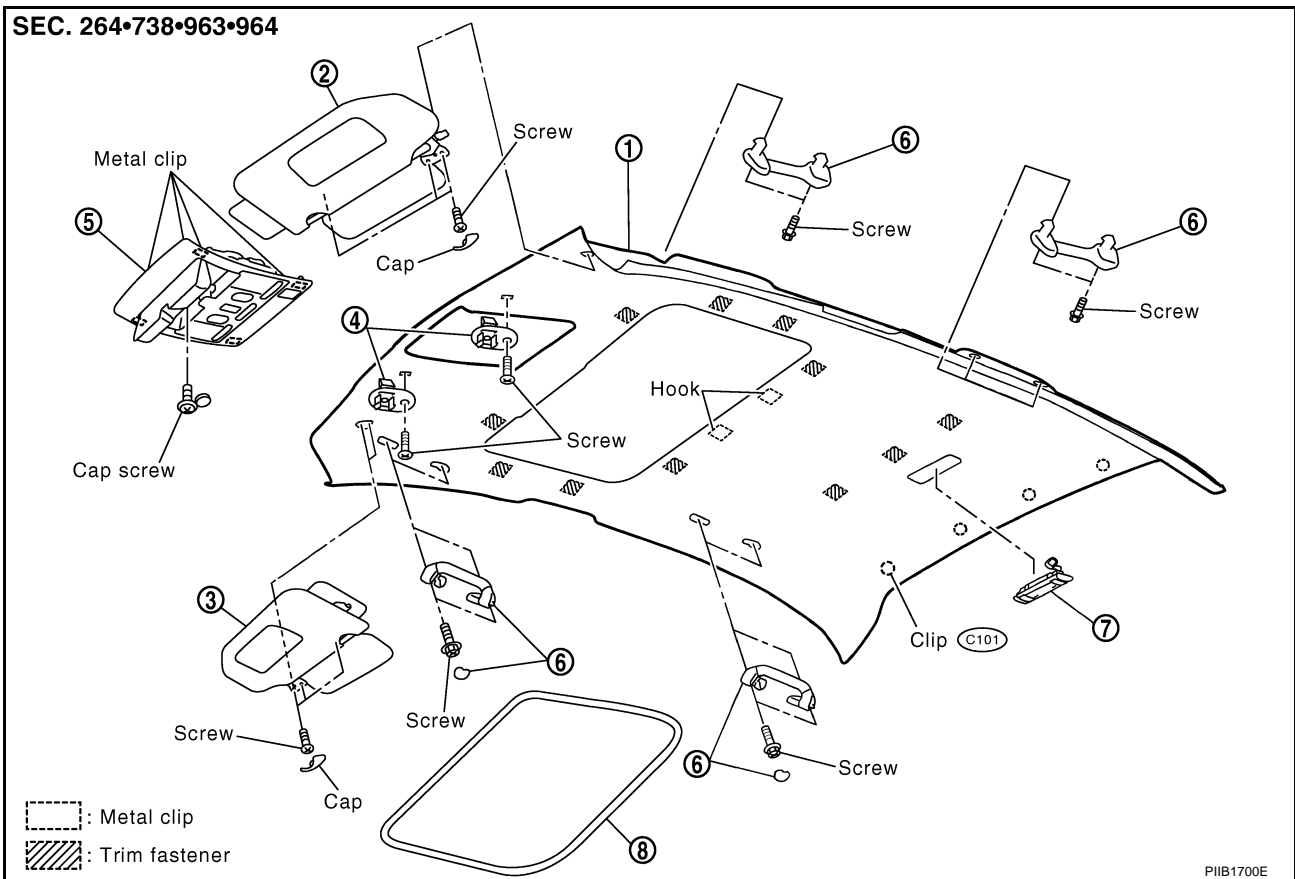
PFP:73910

HEADLINING

Removal and Installation

EIS000DO

SEC. 264•738•963•964



PIIB1700E

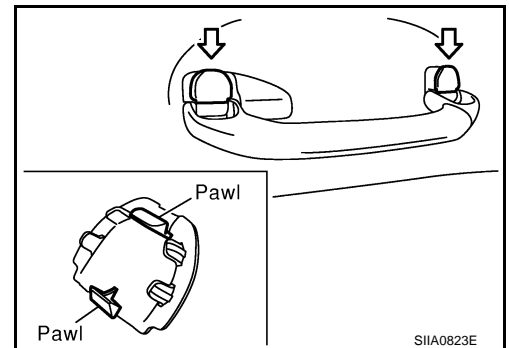
- | | | |
|--------------------|------------------------------|---------------------|
| 1. Headlining | 2. Sunvisor (left) | 3. Sunvisor (right) |
| 4. Holder retainer | 5. Map lamp & sunroof switch | 6. Assist grip |
| 7. Personal lamp | 8. Sunroof welt | |

REMOVAL

1. Remove rear seat. Refer to [SE-195, "Removal and Installation"](#) .
2. Remove body side welt. Refer to [EI-42, "BODY SIDE TRIM"](#) .
3. Remove front pillar and center pillar garnish. Refer to [EI-42, "BODY SIDE TRIM"](#) .
4. Remove assist grip.

NOTE:

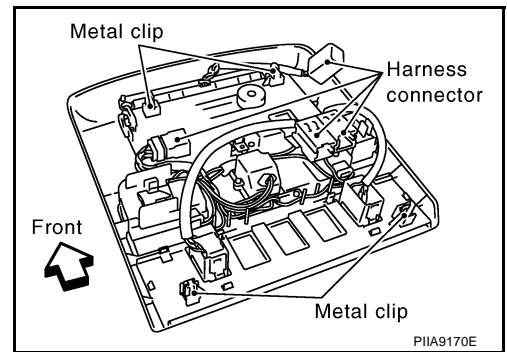
To remove assist grip of roof, insert small screw driver rolled with waste into dip on mask, pull it back to your side, remove it and remove screws (one each for left and right).



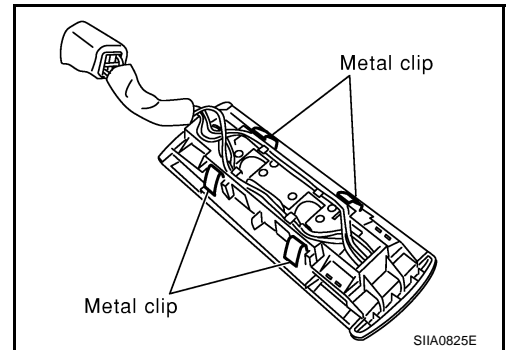
SIA0823E

HEADLINING

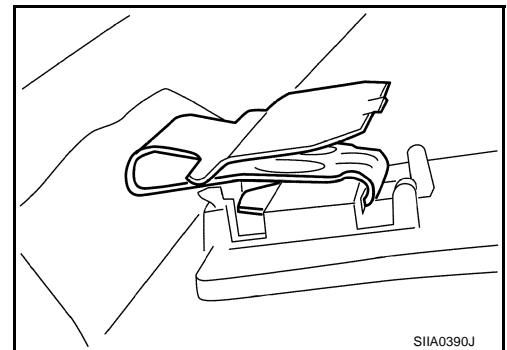
5. Remove map lamp & sunroof switch, and disconnect harness connector.



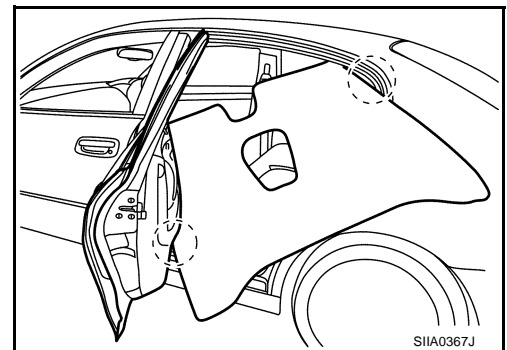
6. Remove personal lamp, and disconnect harness connector.



7. Remove sunvisor (left/right).
8. Remove sunroof welt.
9. Disengage clips at rear of head lining, and remove trim fastener.
10. Remove holder retainer.
11. Slide front seat to the front, and set its seat back down backward.
12. Slide headlining frontward of vehicle, and disconnect hooks (if equipped with sunroof).



13. Remove headlining, turn and remove from left rear door.



CAUTION:

- Always remove or install in a pair.
- Cover surroundings with waste to avoid scratches or damages.

HEADLINING

- Do not bend headlining too hard.

INSTALLATION

Install in the reverse order of removal.

A

B

C

D

E

F

G

H

EI

J

K

L

M

TRUNK ROOM TRIM & TRUNK LID FINISHER

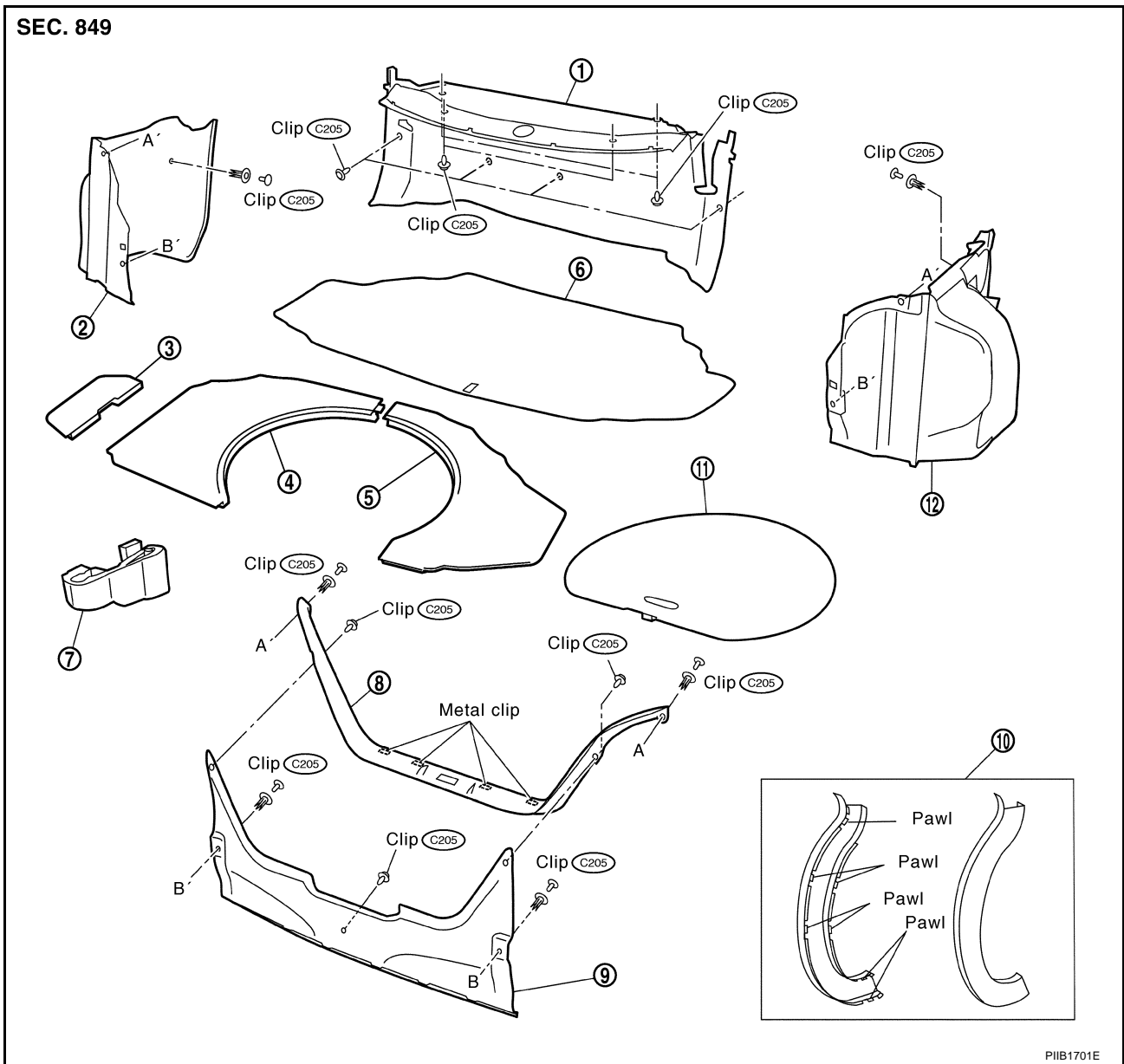
PFP:84920

EIS009WB

TRUNK ROOM TRIM & TRUNK LID FINISHER

Removal and Installation

SEC. 849



PIIB1701E

- | | | |
|--------------------------------|--------------------------------|---------------------------------|
| 1. Trunk front finisher | 2. Trunk side finisher (left) | 3. Trunk floor spacer (left) |
| 4. Trunk floor spacer (center) | 5. Trunk floor spacer (center) | 6. Trunk floor carpet |
| 7. Tool box | 8. Trunk rear plate | 9. Trunk rear finisher |
| 10. Trunk hinge cover | 11. Spare tire cover | 12. Trunk side finisher (right) |

TRUNK ROOM TRIM

Removal

1. Open trunk lid fully.
2. Remove trunk floor carpet.
3. Remove spare tire cover.
4. Remove trunk floor spacer (left/center/right).
5. Remove tool box.
6. Remove trunk rear plate assembly clips.
7. Remove trunk rear finisher assembly clips.
8. Remove trunk front finisher assembly clips.

TRUNK ROOM TRIM & TRUNK LID FINISHER

9. Remove trunk side finisher assembly clips (left/right).
10. Remove trunk hinge cover.

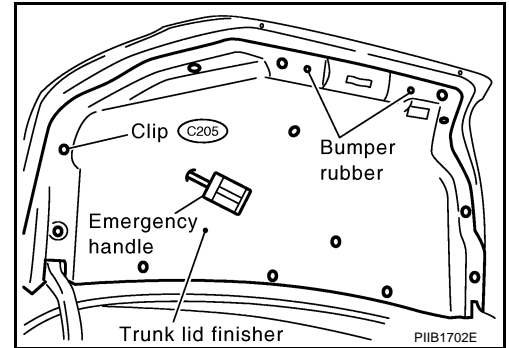
Installation

Install in the reverse order of removal.

TRUNK LID FINISHER (INNER)

Removal

1. Remove emergency handle assembly.
2. Remove clips from trunk lid finisher (inner).
3. Remove trunk lid finisher (inner).



Installation

Install in the reverse order of removal.

A

B

C

D

E

F

G

H

EI

J

K

L

M

TRUNK ROOM TRIM & TRUNK LID FINISHER
