

SECTION **PG**

POWER SUPPLY, GROUND & CIRCUIT ELEMENTS

CONTENTS

POWER SUPPLY ROUTING	2	FRONT DOOR HARNESS	46
Schematic	2	REAR DOOR HARNESS	47
Wiring Diagram — POWER —	3	Wiring Diagram Codes (Cell Codes)	48
BATTERY POWER SUPPLY—IGNITION SW. IN		ELECTRICAL UNITS LOCATION	52
ANY POSITION	3	Electrical Units Location	52
ACCESSORY POWER SUPPLY — IGNITION		ENGINE COMPARTMENT	53
SW. IN “ACC” OR “ON”	8	PASSENGER COMPARTMENT	54
IGNITION POWER SUPPLY — IGNITION SW.		LUGGAGE COMPARTMENT	57
IN “ON” AND/OR “START”	10	HARNESS CONNECTOR	58
Fuse	14	Description	58
Fusible Link	14	HARNESS CONNECTOR (TAB-LOCKING	
Circuit Breaker	14	TYPE)	58
GROUND	15	HARNESS CONNECTOR (SLIDE-LOCKING	
Ground Distribution	15	TYPE)	59
MAIN HARNESS	15	ELECTRICAL UNITS	60
ENGINE ROOM HARNESS	18	Terminal Arrangement	60
ENGINE HARNESS	22	SMJ (SUPER MULTIPLE JUNCTION)	62
ENGINE CONTROL HARNESS	23	Terminal Arrangement	62
BODY HARNESS	24	STANDARDIZED RELAY	65
BODY NO. 2 HARNESS	26	Description	65
HARNESS	30	NORMAL OPEN, NORMAL CLOSED AND	
Harness Layout	30	MIXED TYPE RELAYS	65
HOW TO READ HARNESS LAYOUT	30	TYPE OF STANDARDIZED RELAYS	65
OUTLINE	31	FUSE BLOCK - JUNCTION BOX (J/B) NO. 1	67
MAIN HARNESS	32	Terminal Arrangement	67
ENGINE ROOM HARNESS	35	FUSE BLOCK - JUNCTION BOX (J/B) NO. 2	68
ENGINE HARNESS	38	Terminal Arrangement	68
ENGINE CONTROL HARNESS	39	FUSE, FUSIBLE LINK AND RELAY BLOCK (J/B)..	69
BODY HARNESS AND REAR CONTROL HAR-		Terminal Arrangement	69
NESS	41	FUSE, FUSIBLE LINK AND RELAY BOX	70
BODY NO. 2 HARNESS	43	Terminal Arrangement	70
ROOM LAMP HARNESS	45		

A
B
C
D
E
F
G
H
I
J
L
M

PG

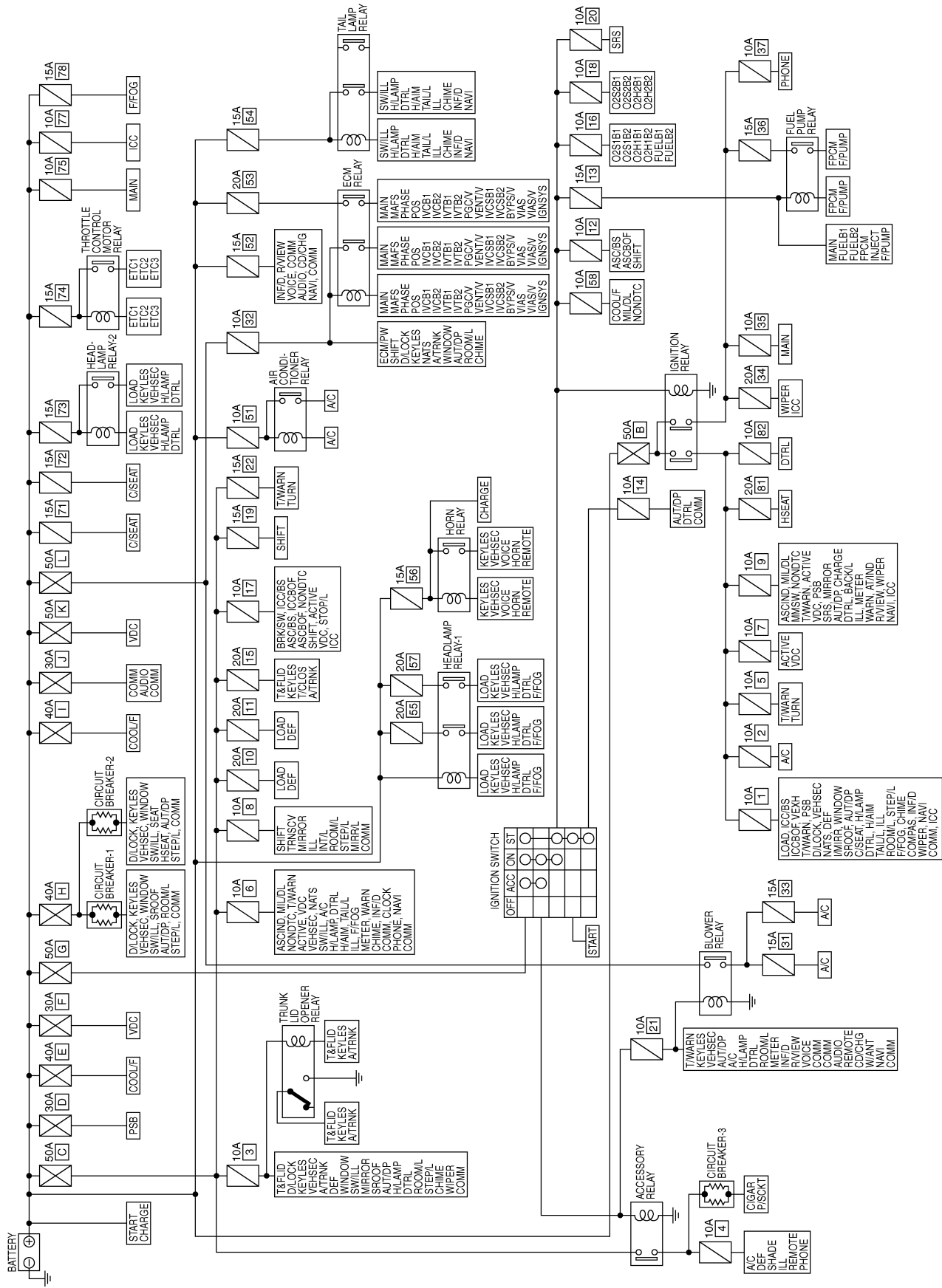
POWER SUPPLY ROUTING

PFP:00011

EKS000DP

POWER SUPPLY ROUTING

Schematic



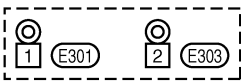
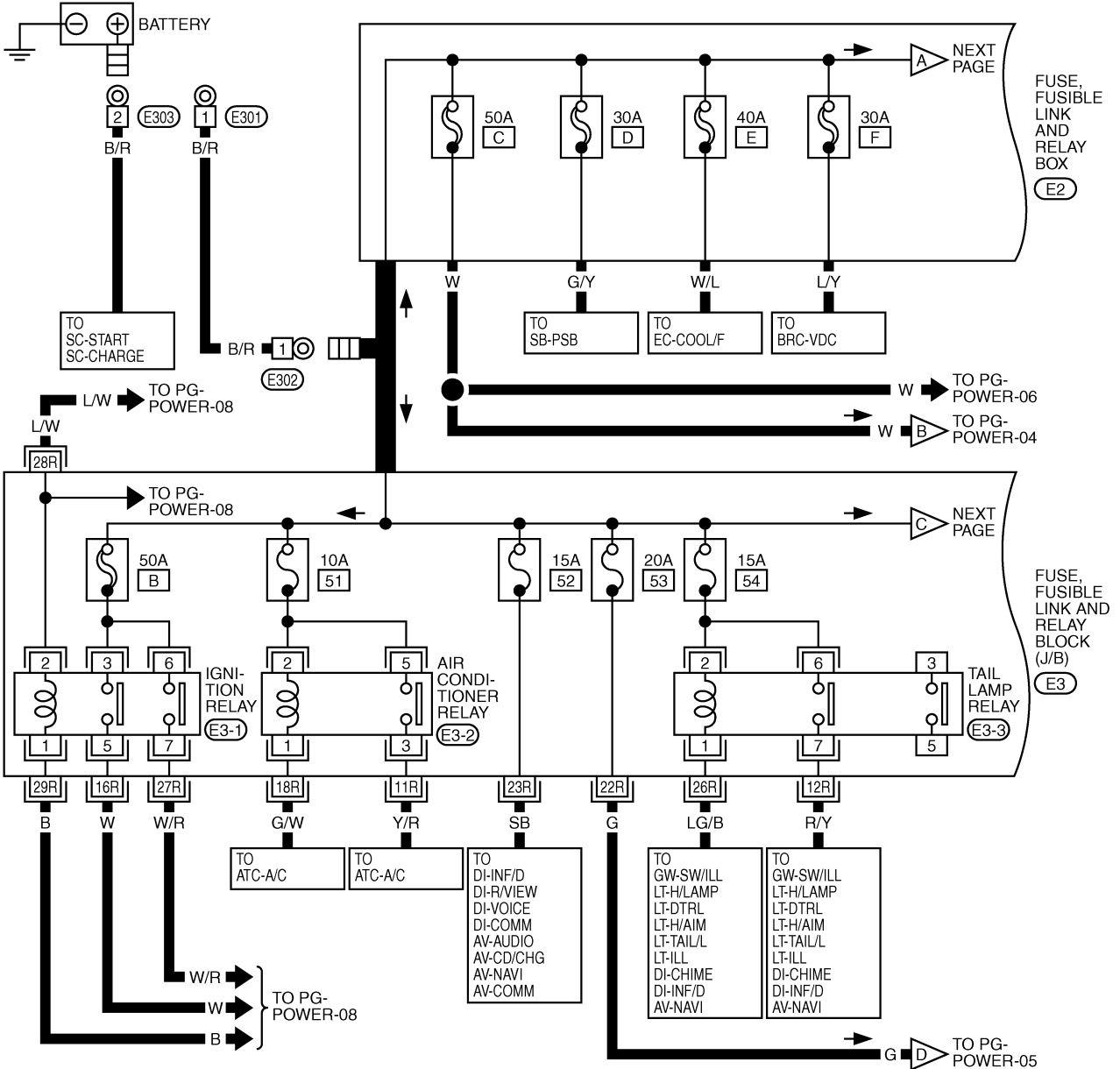
TKWM1442E

POWER SUPPLY ROUTING

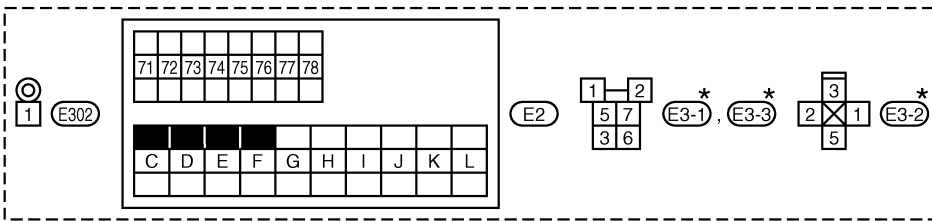
Wiring Diagram — POWER — BATTERY POWER SUPPLY— IGNITION SW. IN ANY POSITION

EKS000DQ

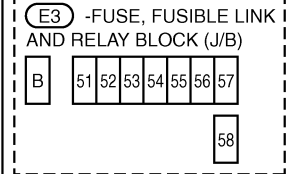
PG-POWER-01



*: THIS CONNECTOR IS NOT SHOWN IN "HARNESS LAYOUT".



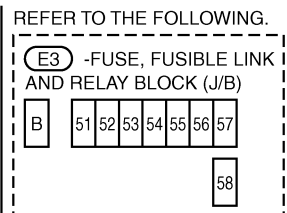
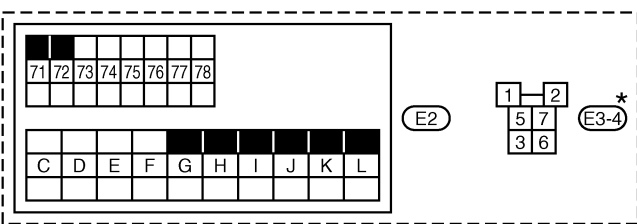
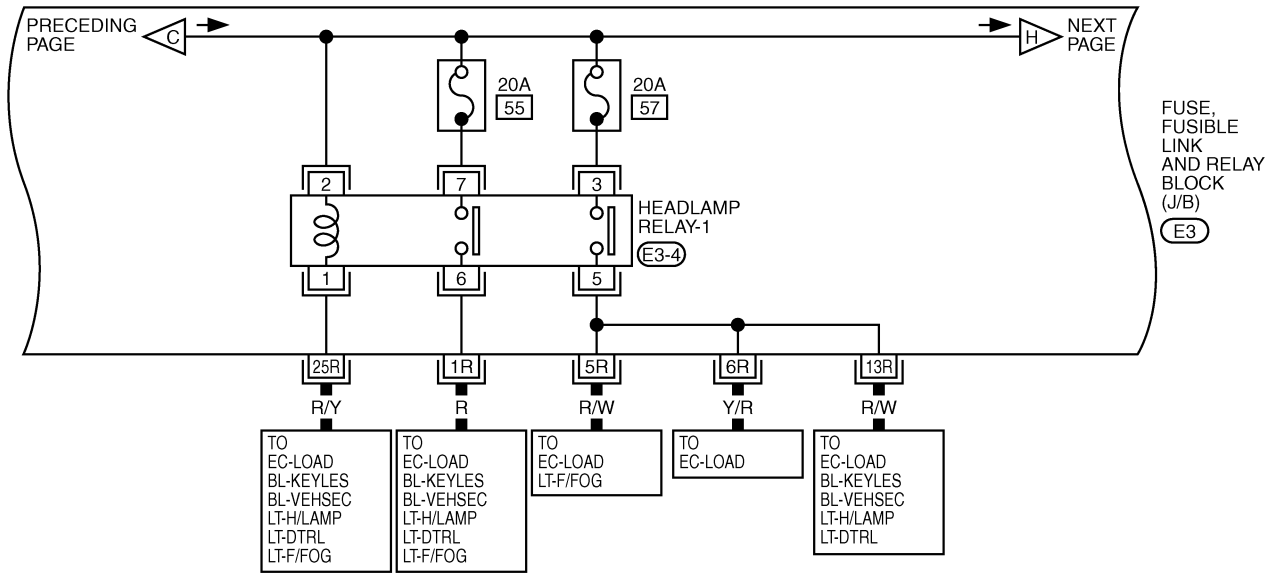
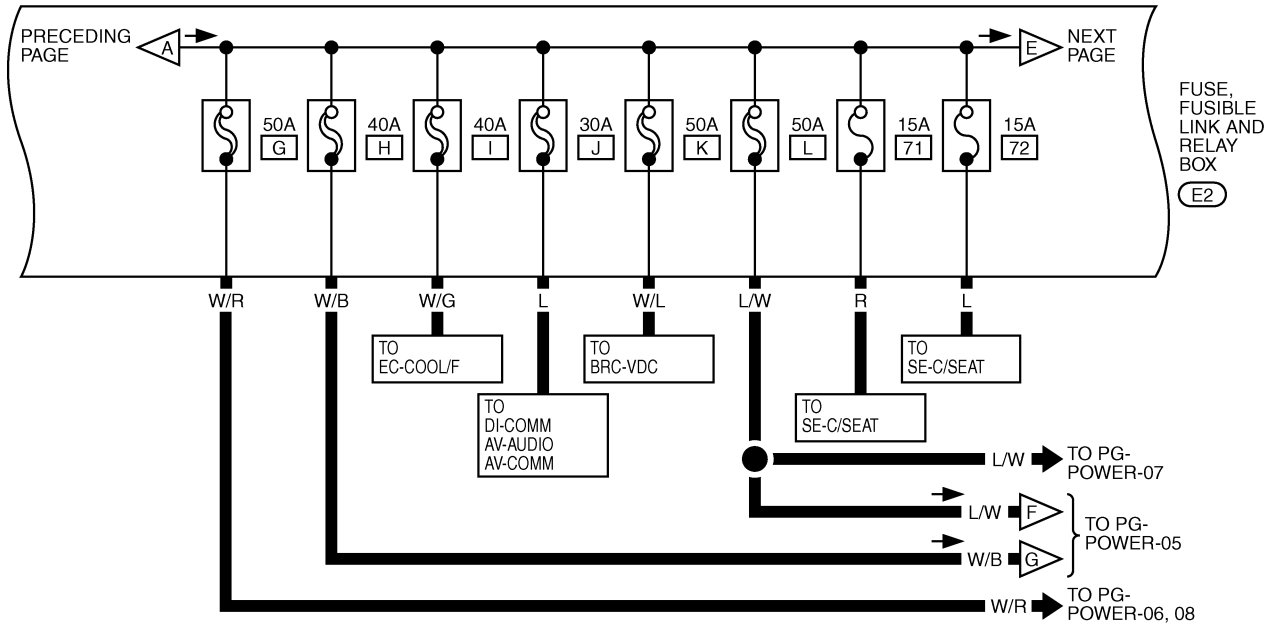
REFER TO THE FOLLOWING.



A
B
C
D
E
F
G
H
I
J
PG
L
M

POWER SUPPLY ROUTING

PG-POWER-02



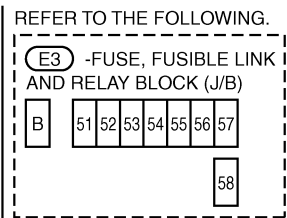
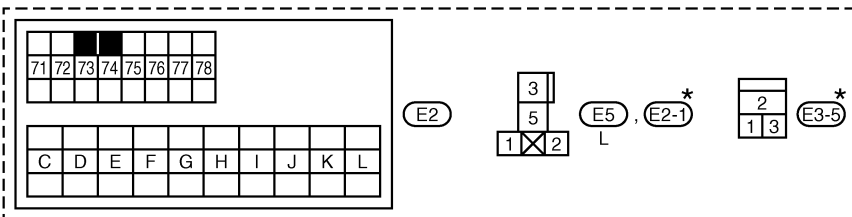
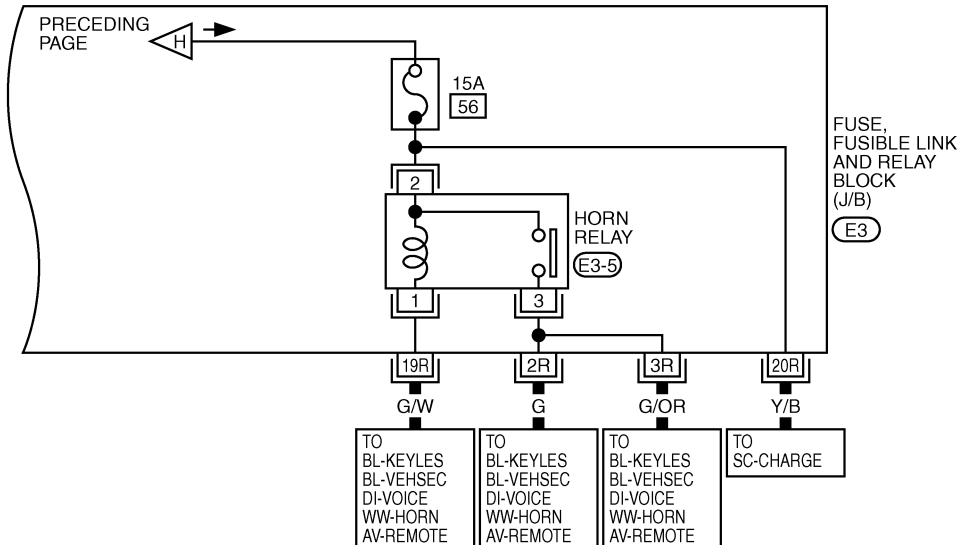
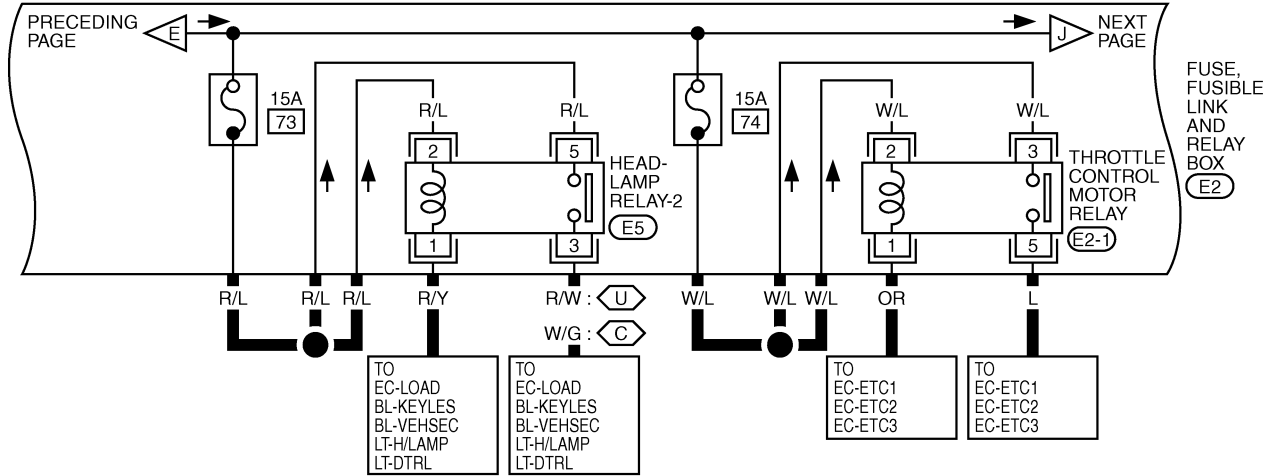
*: THIS CONNECTOR IS NOT SHOWN IN "HARNES LAYOUT".

TKWM1444E

POWER SUPPLY ROUTING

PG-POWER-03

U : FOR U.S.A.
C : FOR CANADA

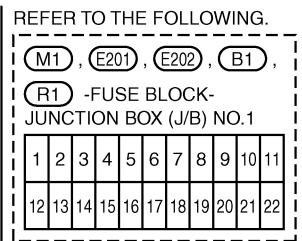
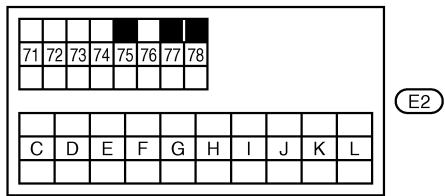
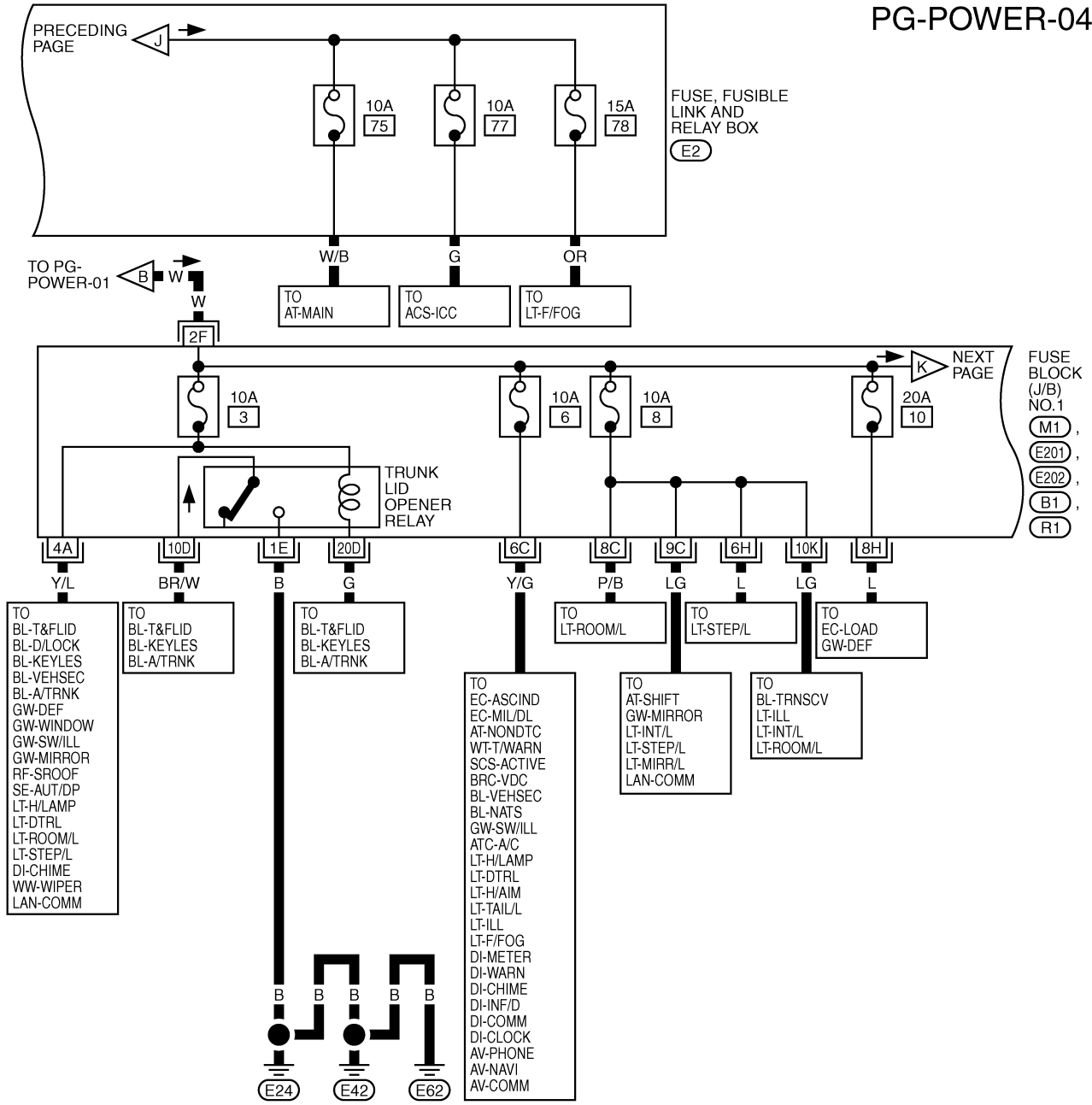


*: THIS CONNECTOR IS NOT SHOWN IN "HARNESS LAYOUT".

TKWM1445E

POWER SUPPLY ROUTING

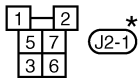
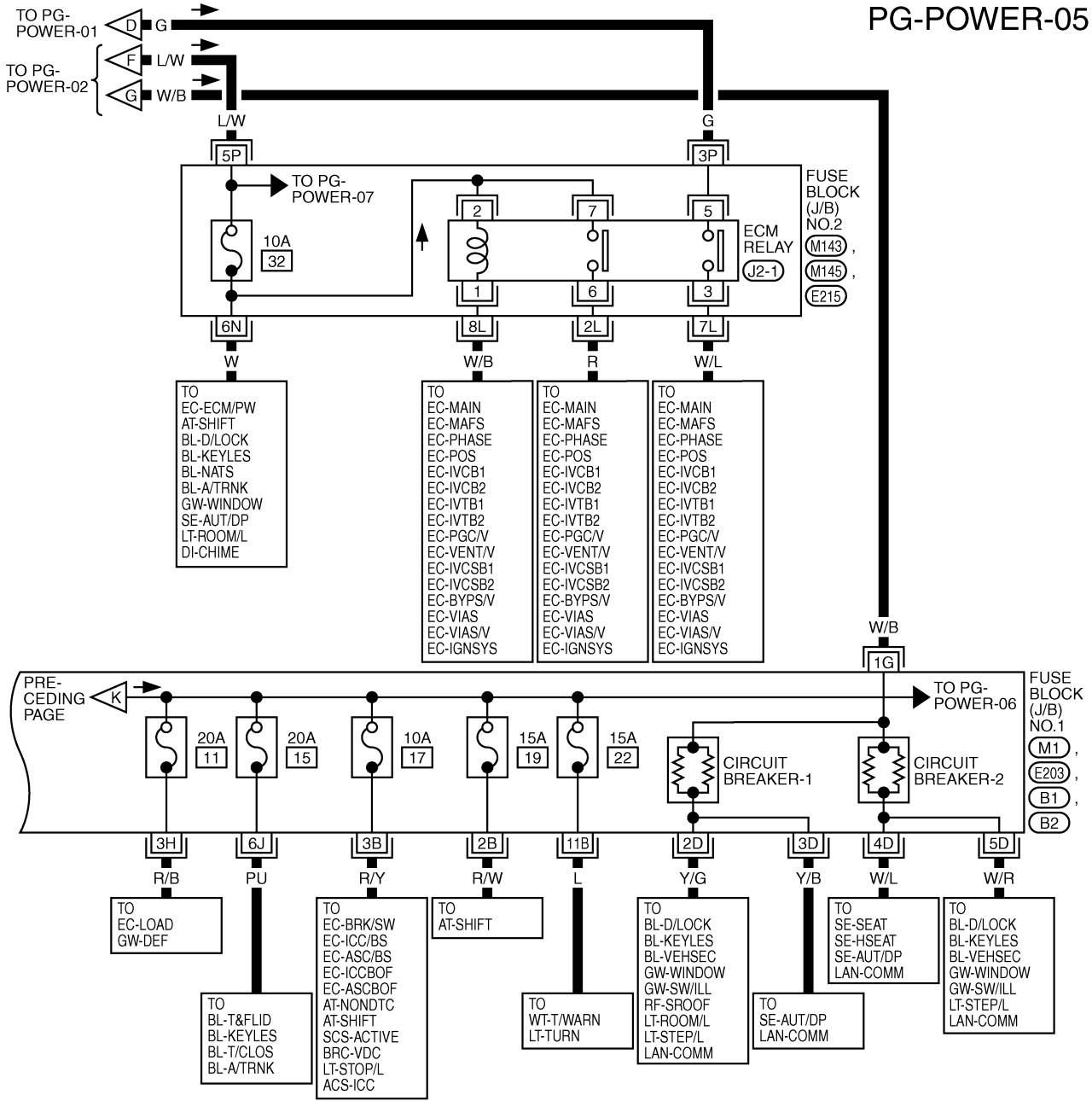
PG-POWER-04



TKWM1446E

POWER SUPPLY ROUTING

PG-POWER-05



*: THIS CONNECTOR IS NOT SHOWN IN "HARNESS LAYOUT".

REFER TO THE FOLLOWING.

(M1), (E203), (B1), (B2)

-FUSE BLOCK-JUNCTION BOX (J/B) NO.1

1	2	3	4	5	6	7	8	9	10	11
12	13	14	15	16	17	18	19	20	21	22

(M143), (M145), (E215) -FUSE BLOCK-JUNCTION BOX (J/B) NO.2

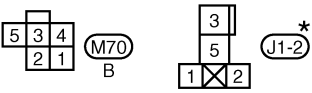
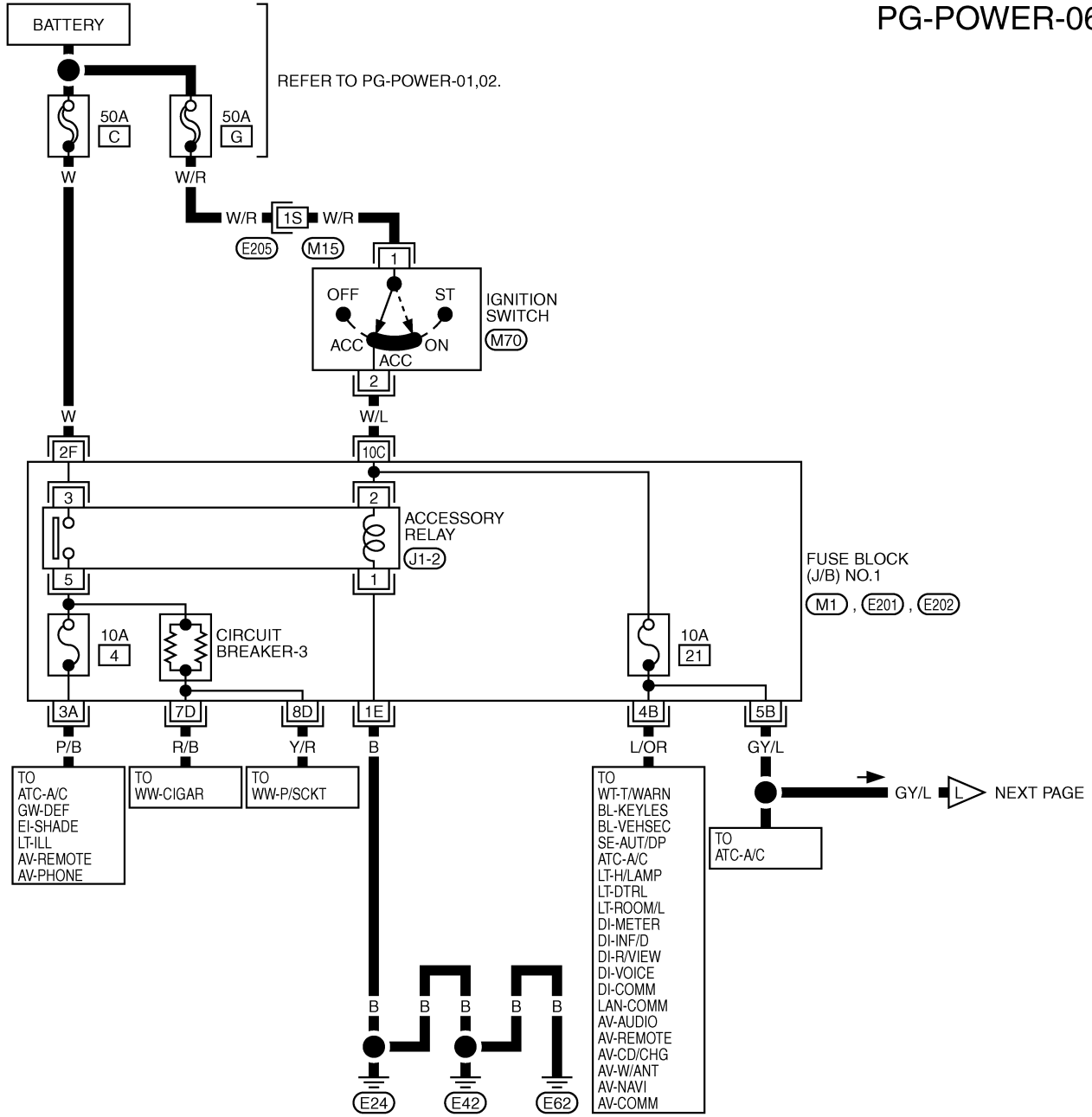
31	32	33	34	35	36	37	38
----	----	----	----	----	----	----	----

TKWM1447E

POWER SUPPLY ROUTING

ACCESSORY POWER SUPPLY — IGNITION SW. IN "ACC" OR "ON"

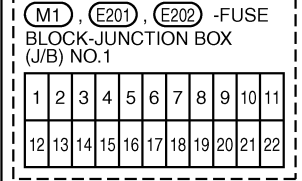
PG-POWER-06



*: THIS CONNECTOR IS NOT SHOWN IN "HARNESS LAYOUT".

REFER TO THE FOLLOWING.

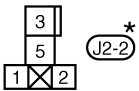
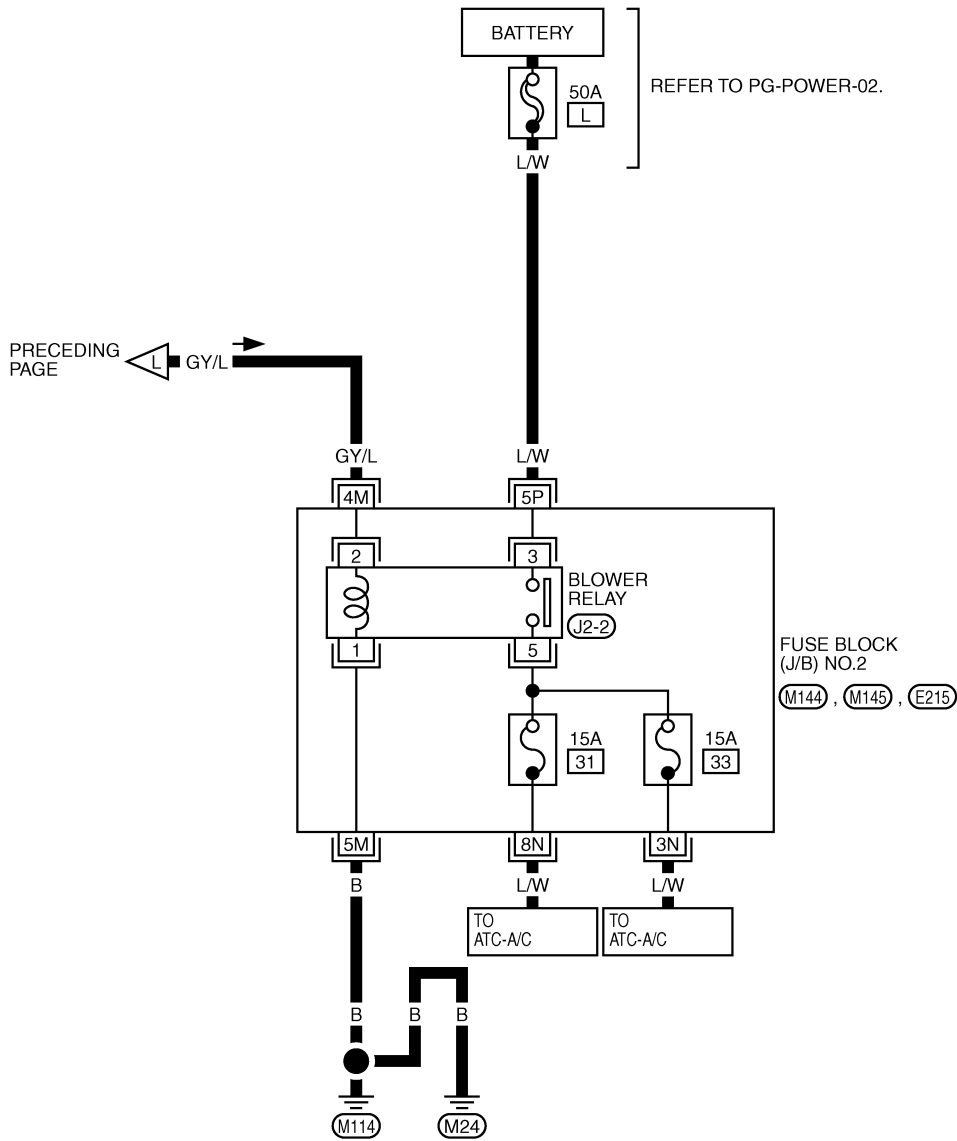
(E205) -SUPER MULTIPLE JUNCTION (SMJ)



POWER SUPPLY ROUTING

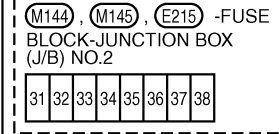
PG-POWER-07

A
B
C
D
E
F
G
H
I
J
PG
L
M



*: THIS CONNECTOR IS NOT SHOWN IN "HARNESS LAYOUT".

REFER TO THE FOLLOWING.

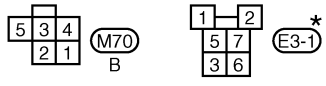
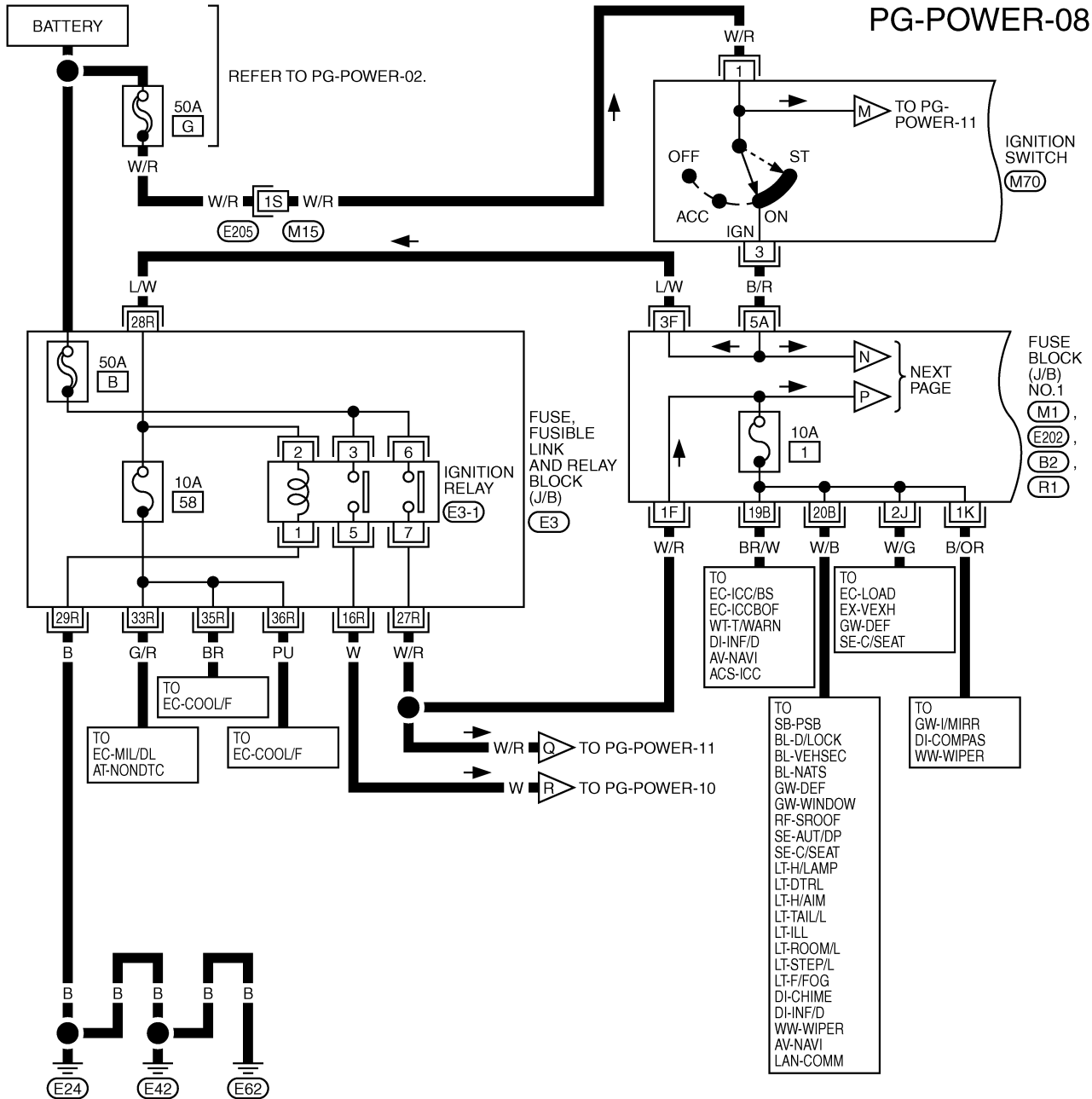


TKWM1449E

POWER SUPPLY ROUTING

IGNITION POWER SUPPLY — IGNITION SW. IN "ON" AND/OR "START"

PG-POWER-08



*: THIS CONNECTOR IS NOT SHOWN IN "HARNESS LAYOUT".

REFER TO THE FOLLOWING.

(E205) -SUPER MULTIPLE JUNCTION (SMJ)

(M1), (E202), (B2), (R1) -FUSE BLOCK-JUNCTION BOX (J/B) NO.1

1	2	3	4	5	6	7	8	9	10	11
12	13	14	15	16	17	18	19	20	21	22

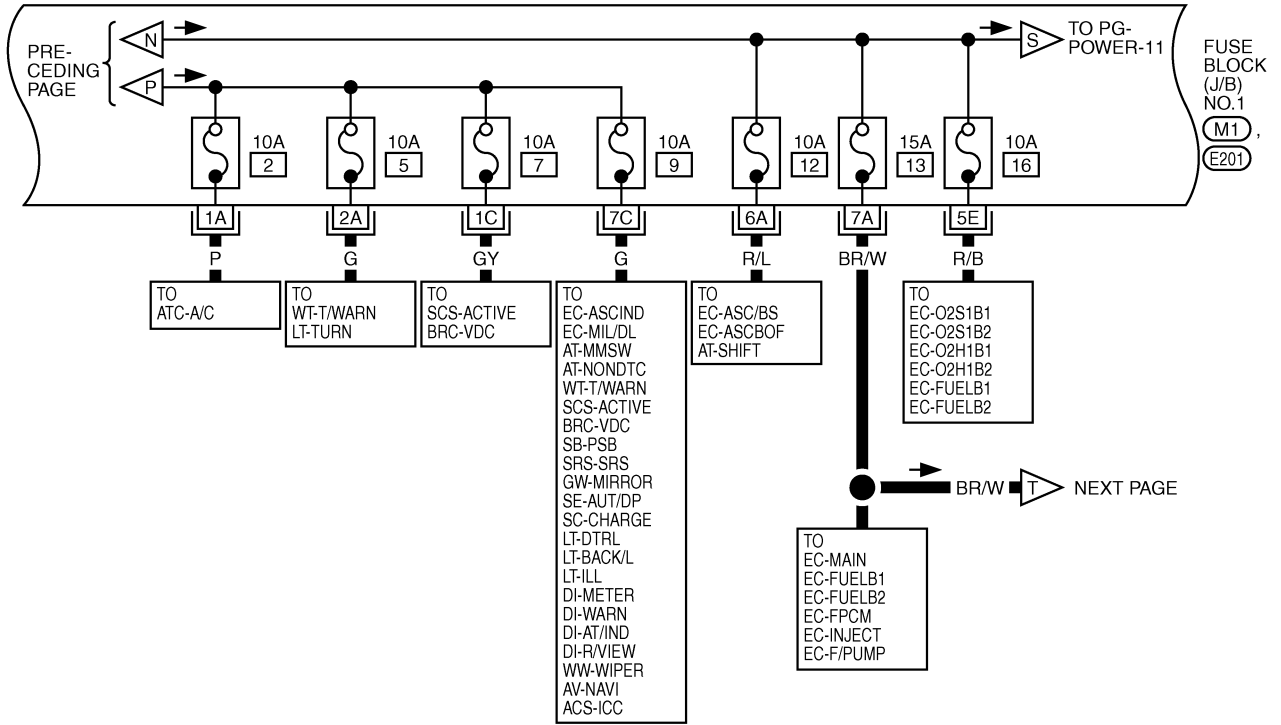
(E3) -FUSE, FUSIBLE LINK AND RELAY BLOCK (J/B)

B	51	52	53	54	55	56	57
							58

TKWM1450E

POWER SUPPLY ROUTING

PG-POWER-09



REFER TO THE FOLLOWING.

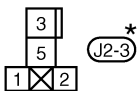
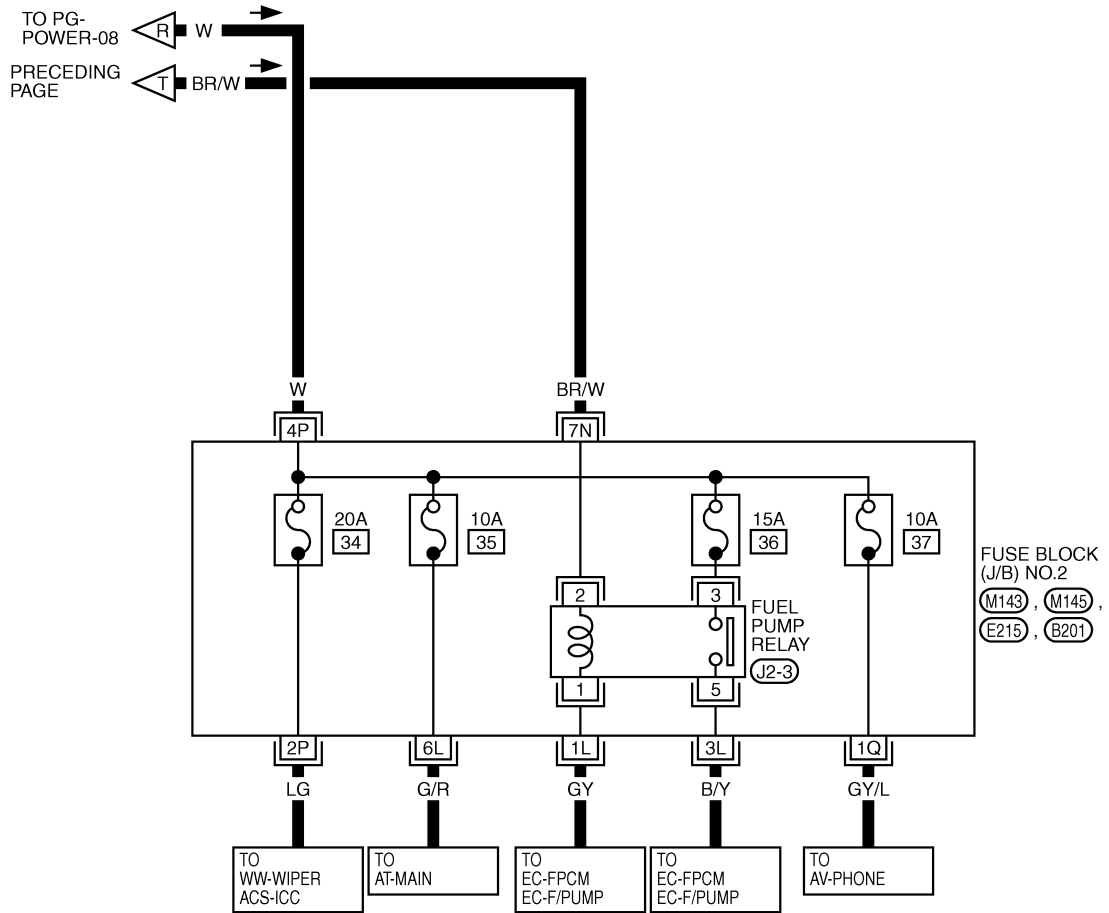
M1, E201 -FUZE BLOCK-JUNCTION BOX (J/B) NO.1

1	2	3	4	5	6	7	8	9	10	11
12	13	14	15	16	17	18	19	20	21	22

TKWM1451E

POWER SUPPLY ROUTING

PG-POWER-10



*: THIS CONNECTOR IS NOT SHOWN IN "HARNESS LAYOUT".

REFER TO THE FOLLOWING.

M143, M145, E215, B201

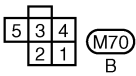
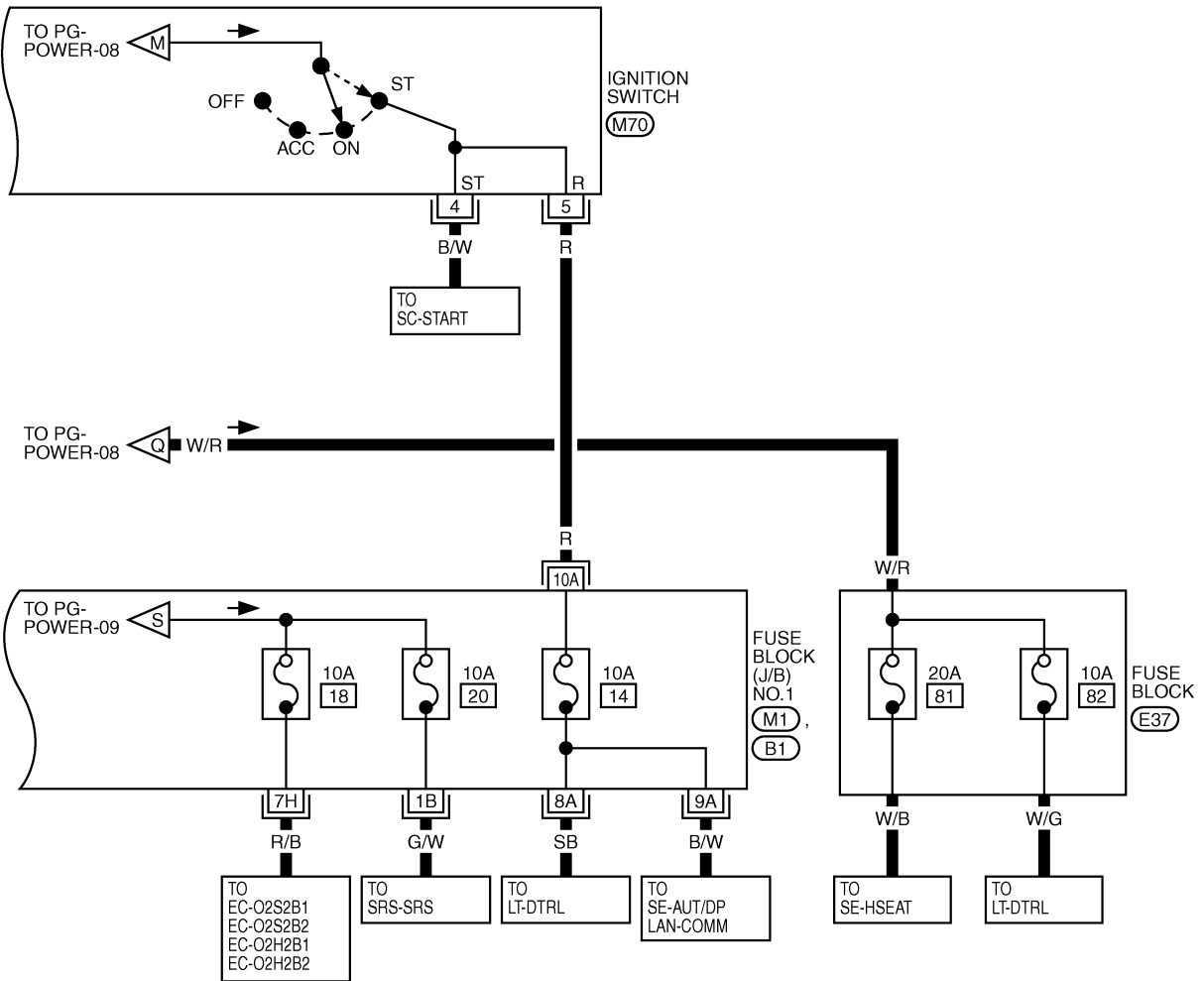
-FUSE BLOCK-JUNCTION BOX (J/B) NO.2

31 32 33 34 35 36 37 38

TKWM1452E

POWER SUPPLY ROUTING

PG-POWER-11



REFER TO THE FOLLOWING.

(M1), (B1) - FUSE BLOCK-JUNCTION BOX (J/B) NO.1

1	2	3	4	5	6	7	8	9	10	11
12	13	14	15	16	17	18	19	20	21	22

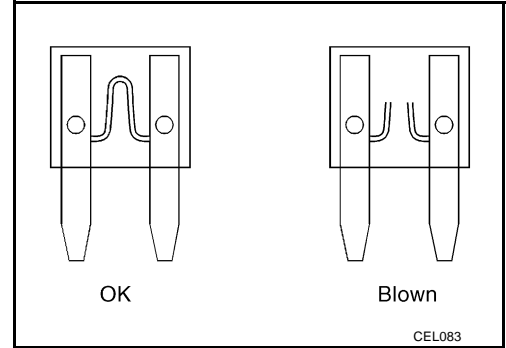
TKWM1453E

POWER SUPPLY ROUTING

Fuse

EKS003SB

- If fuse is blown, be sure to eliminate cause of malfunction before installing new fuse.
- Use fuse of specified rating. Never use fuse of more than specified rating.
- Do not partially install fuse; always insert it into fuse holder properly.
- Remove fuse for "ELECTRICAL PARTS (BAT)" if vehicle is not used for a long period of time.



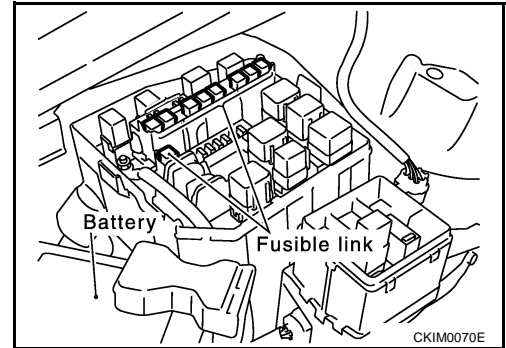
Fusible Link

EKS003SC

A melted fusible link can be detected either by visual inspection or by feeling with finger tip. If its condition is questionable, use circuit tester or test lamp.

CAUTION:

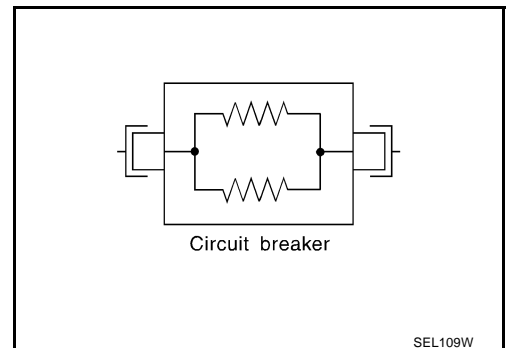
- If fusible link should melt, it is possible that critical circuit (power supply or large current carrying circuit) is shorted. In such a case, carefully check and eliminate cause of malfunction.
- Never wrap outside of fusible link with vinyl tape. Important: Never let fusible link touch any other wiring harness, vinyl or rubber parts.



Circuit Breaker

EKS003SD

The PTC thermistor generates heat in response to current flow. The temperature (and resistance) of the thermistor element varies with current flow. Excessive current flow will cause the element's temperature to rise. When the temperature reaches a specified level, the electrical resistance will rise sharply to control the circuit current. Reduced current flow will cause the element to cool. Resistance falls accordingly and normal circuit current flow is allowed to resume.



GROUND

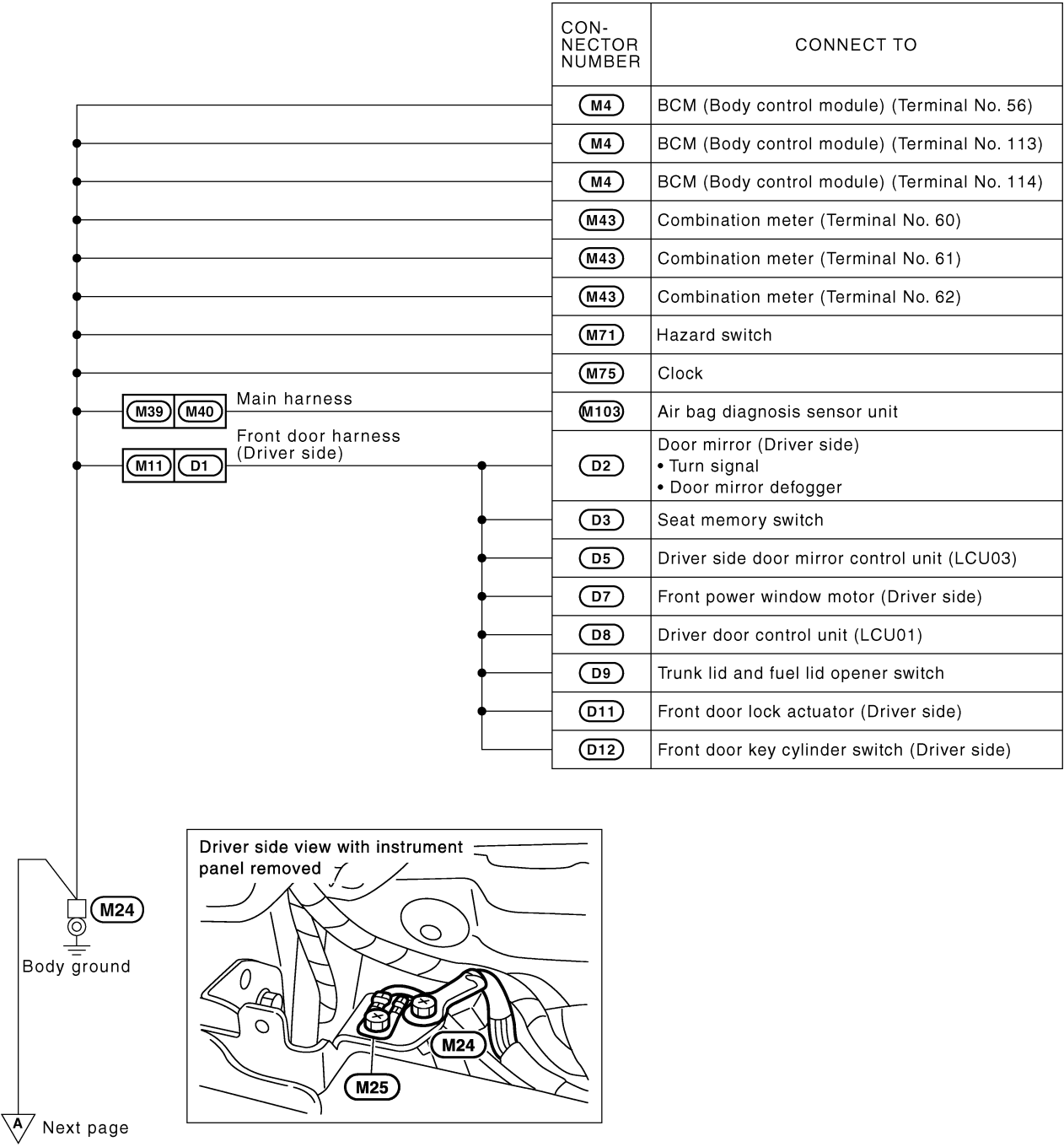
GROUND

PFP:00011

Ground Distribution MAIN HARNESS

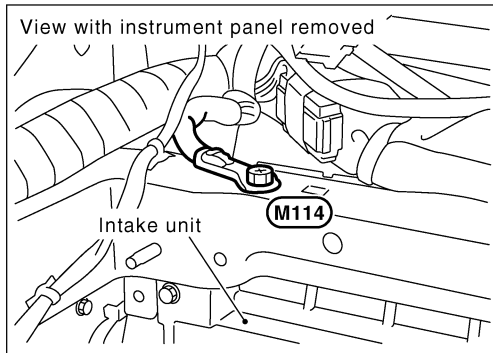
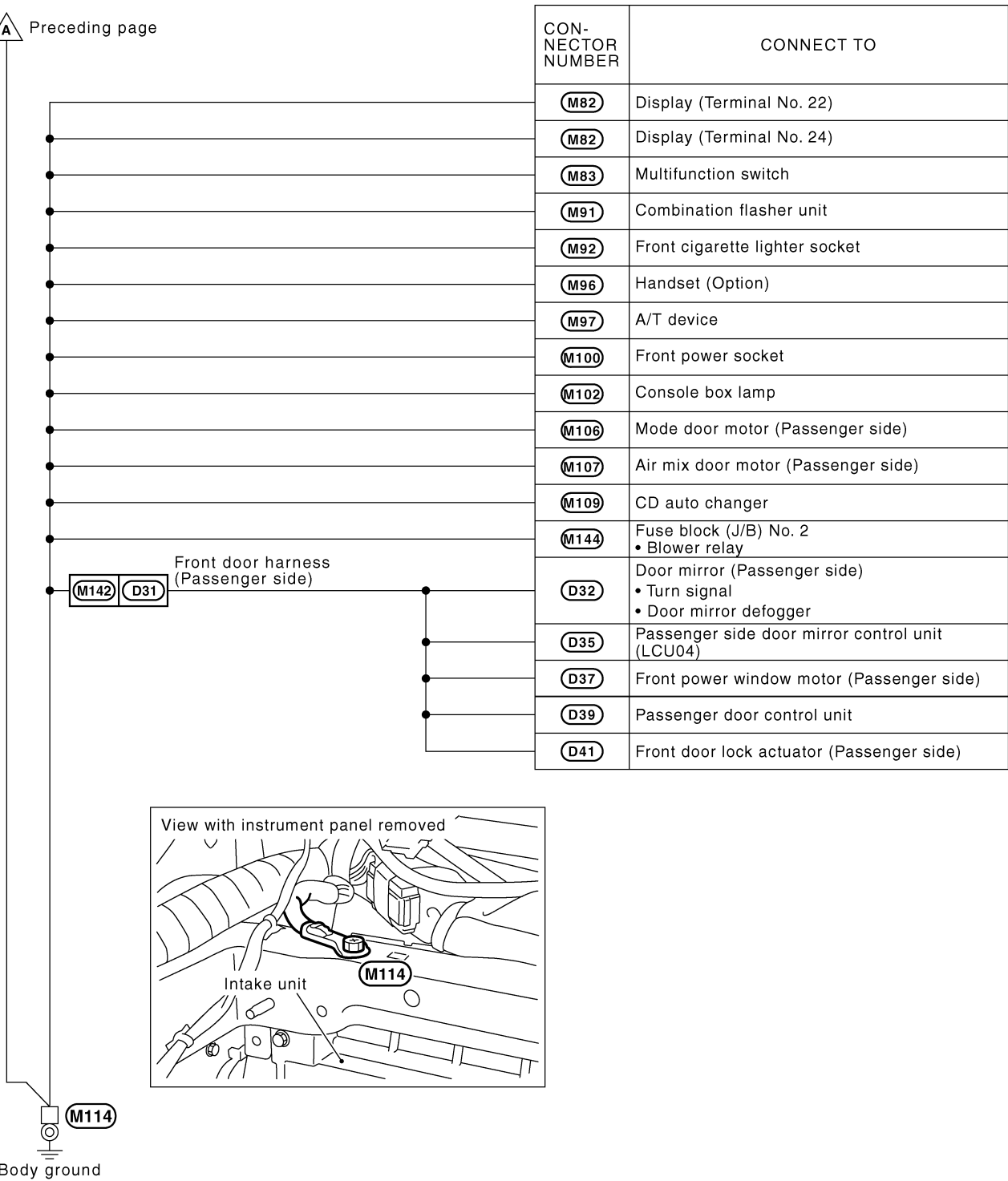
EKS000DR

A
B
C
D
E
F
G
H
I
J
PG
L
M



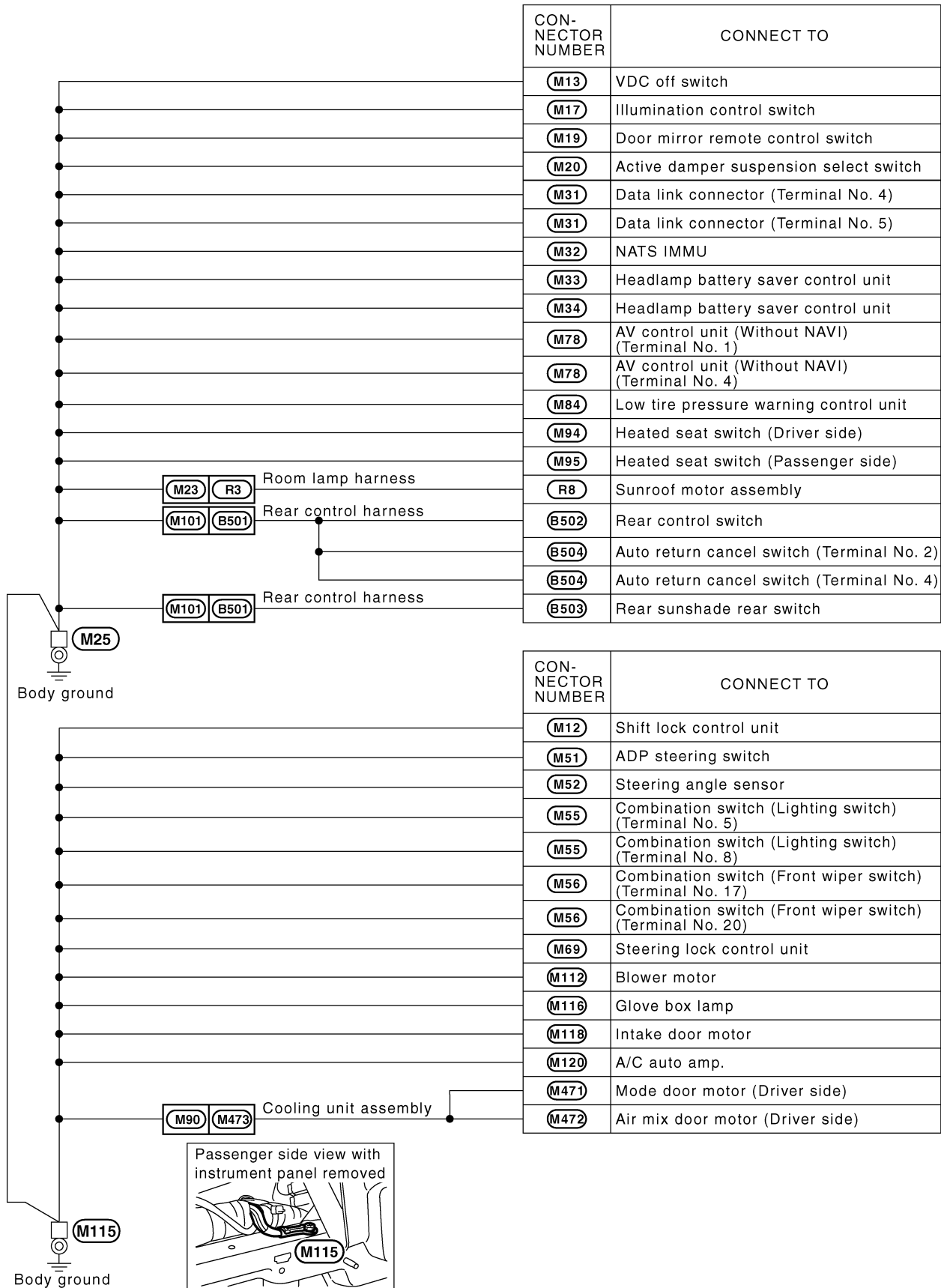
GROUND

A Preceding page



CKIM0326E

GROUND



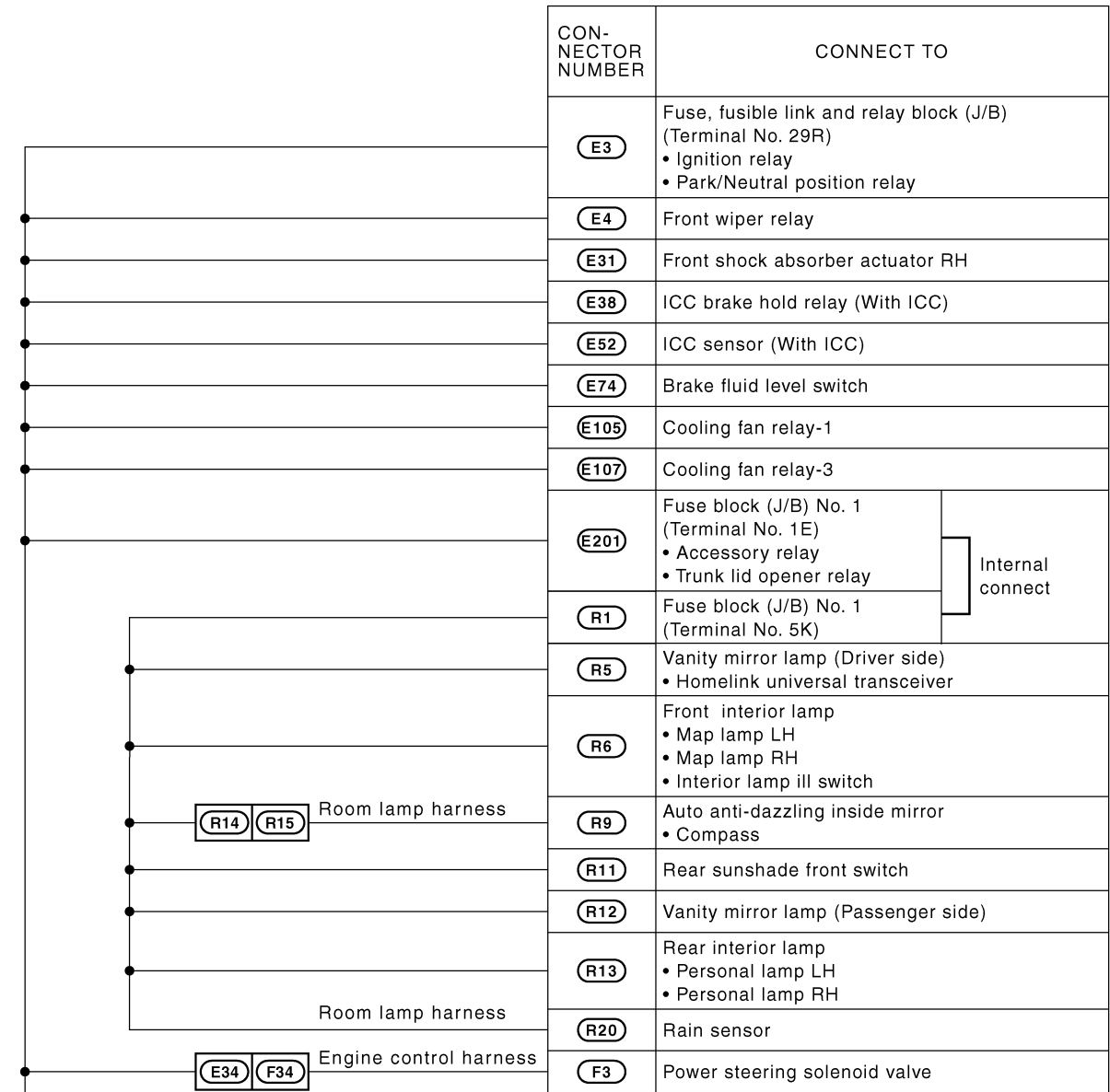
A
B
C
D
E
F
G
H
I
J
L
M

PG

CKIM0327E

GROUND

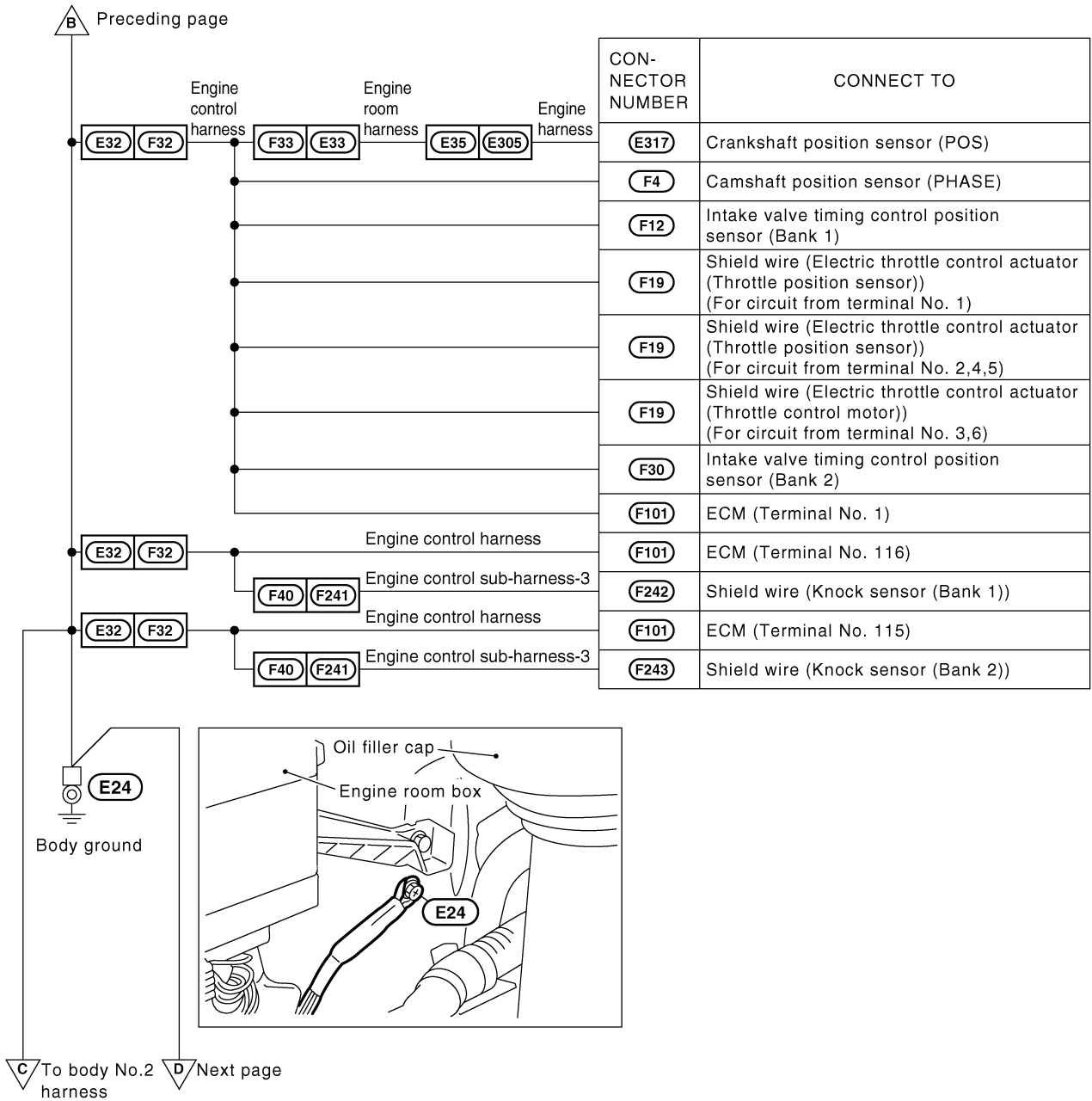
ENGINE ROOM HARNESS



▼ B Next page

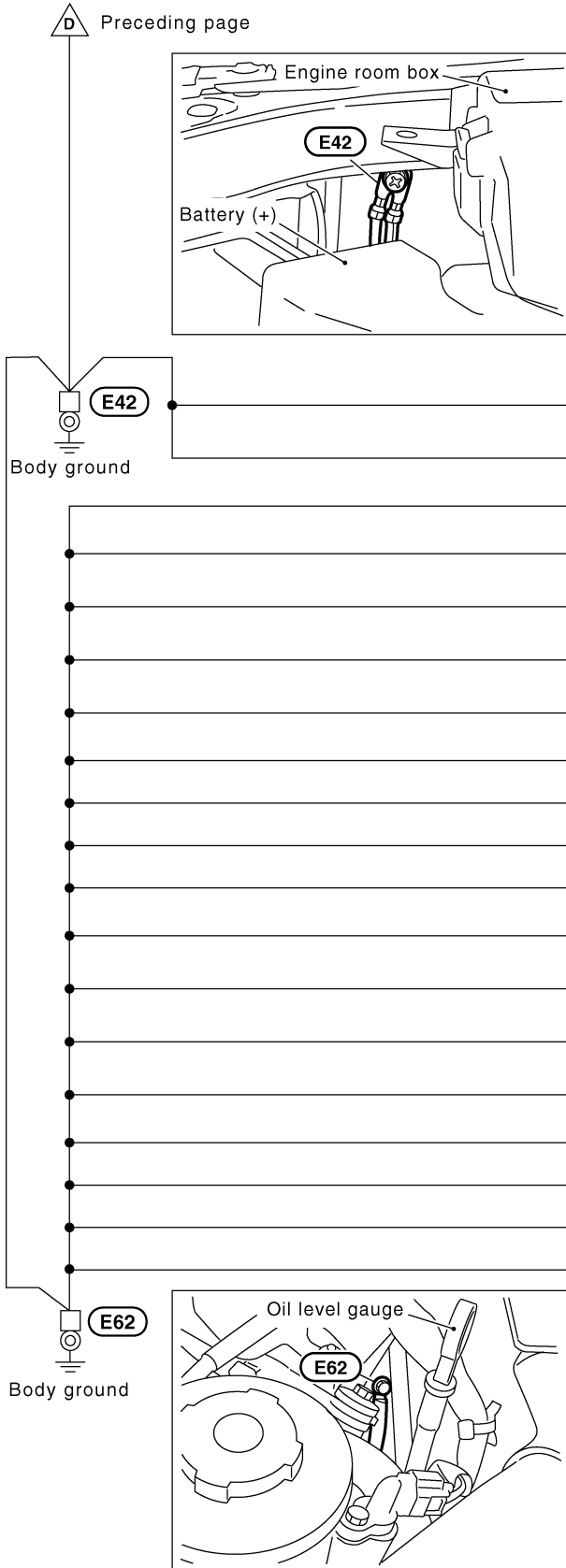
CKIM0328E

GROUND



A
B
C
D
E
F
G
H
I
J
PG
L
M

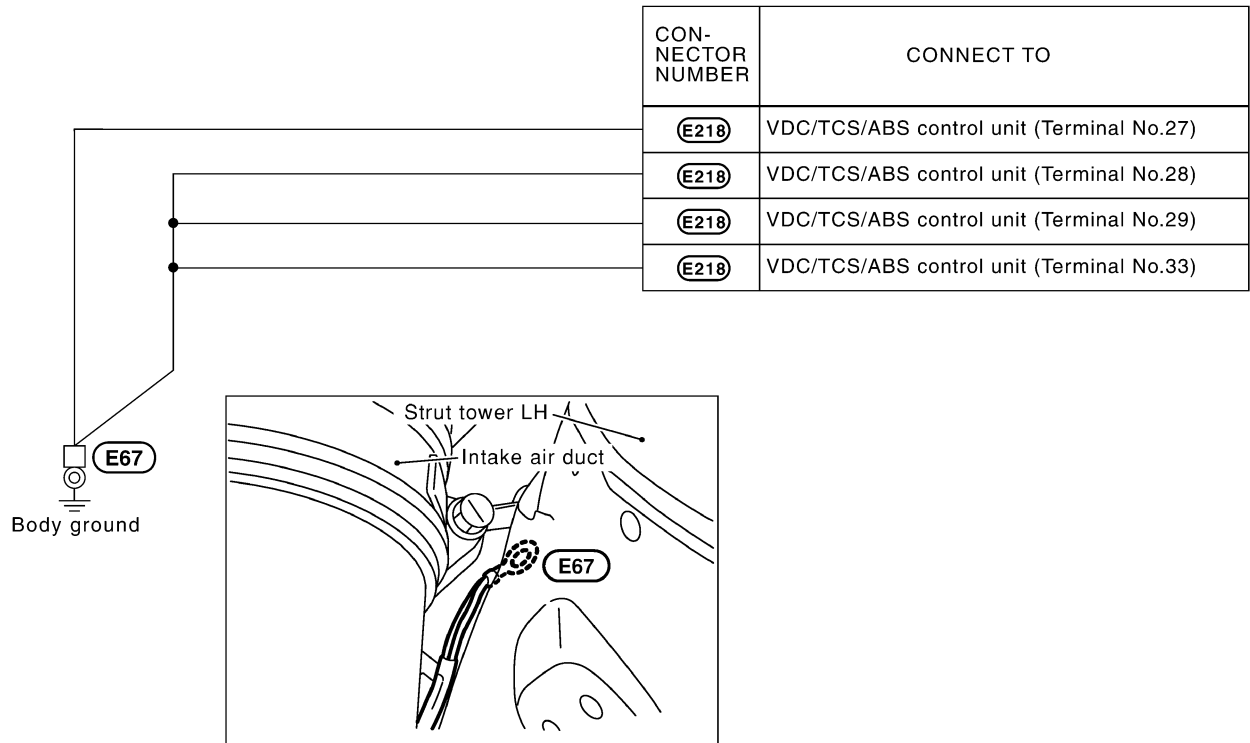
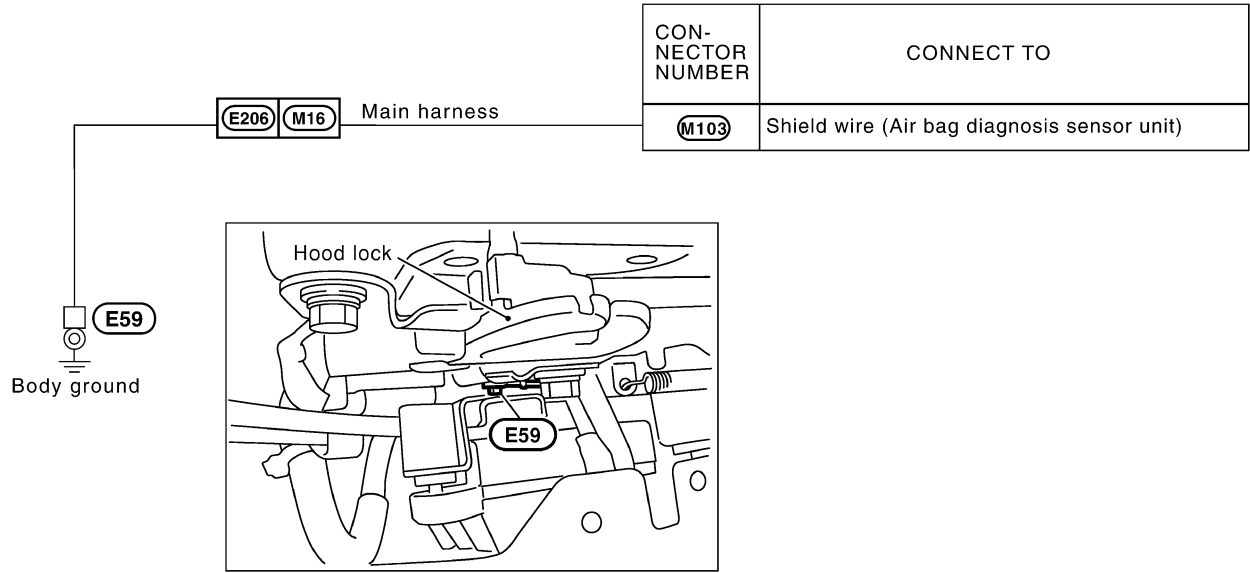
GROUND



CONNECTOR NUMBER	CONNECT TO
E45	Front combination lamp RH (Terminal No. 8) • Headlamp
E65	Front combination lamp LH (Terminal No. 6) • Parking
E26	Daytime light control unit
E45	Front combination lamp RH (Terminal No. 2) • Turn signal
E45	Front combination lamp RH (Terminal No. 6) • Parking
E46	Front combination lamp RH (Terminal No. 10) • Headlamp aiming motor
E46	Front combination lamp RH (Terminal No. 16) • Side marker
E47	Washer level switch
E51	Front fog lamp RH
E54	Hood switch
E61	Front shock absorber actuator LH
E65	Front combination lamp LH (Terminal No. 2) • Turn signal
E65	Front combination lamp LH (Terminal No. 8) • Headlamp
E66	Front combination lamp LH (Terminal No. 10) • Headlamp aiming motor
E66	Front combination lamp LH (Terminal No. 16) • Side marker
E71	Front fog lamp LH
E75	Front wiper motor
E103	Cooling fan motor-1 (Terminal No. 3)
E103	Cooling fan motor-1 (Terminal No. 4)

CKIM0330E

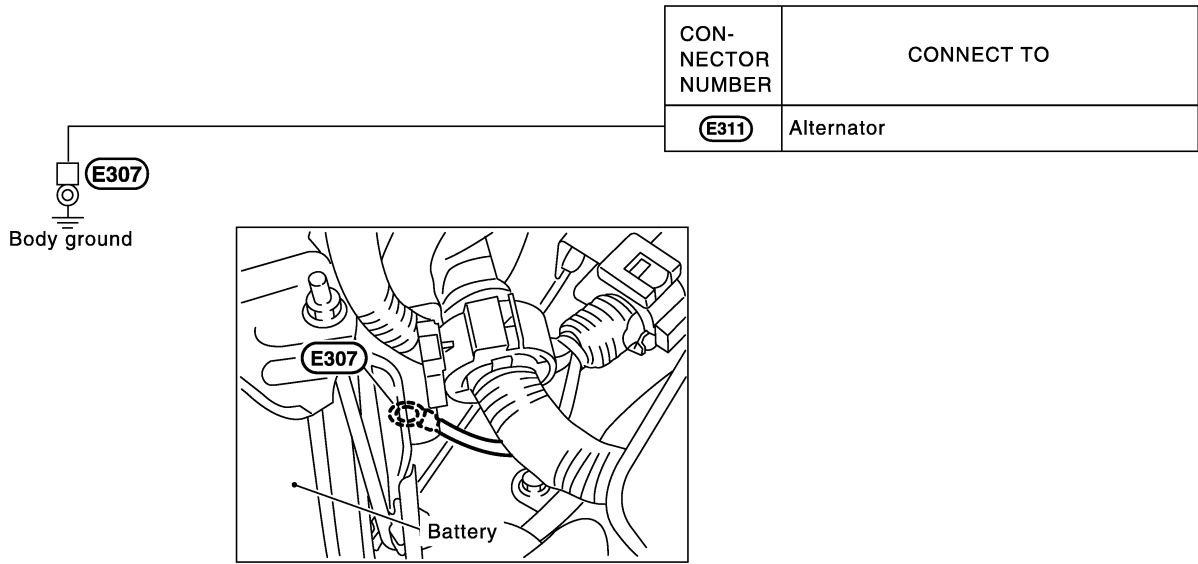
GROUND



CKIM0156E

GROUND

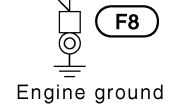
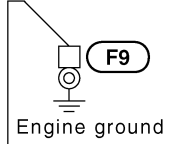
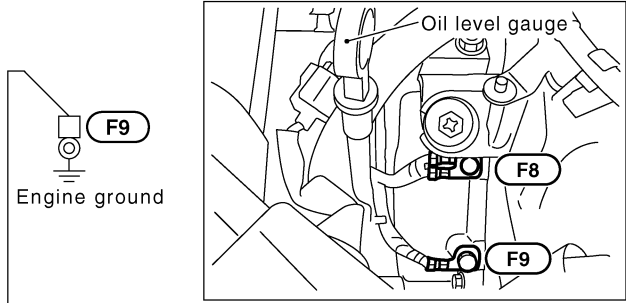
ENGINE HARNESS



CKIM0018E

GROUND

ENGINE CONTROL HARNESS



CON-NECTOR NUMBER	CONNECT TO
F15	Ignition coil (With power transistor) No. 1
F16	Ignition coil (With power transistor) No. 3
F17	Ignition coil (With power transistor) No. 5
F18	Ignition coil (With power transistor) No. 7
F23	Condenser
F26	A/T assembly (Terminal No. 5)
F26	A/T assembly (Terminal No. 10)
F35	Ignition coil (With power transistor) No. 2
F36	Ignition coil (With power transistor) No. 4
F37	Ignition coil (With power transistor) No. 6
F38	Ignition coil (With power transistor) No. 8

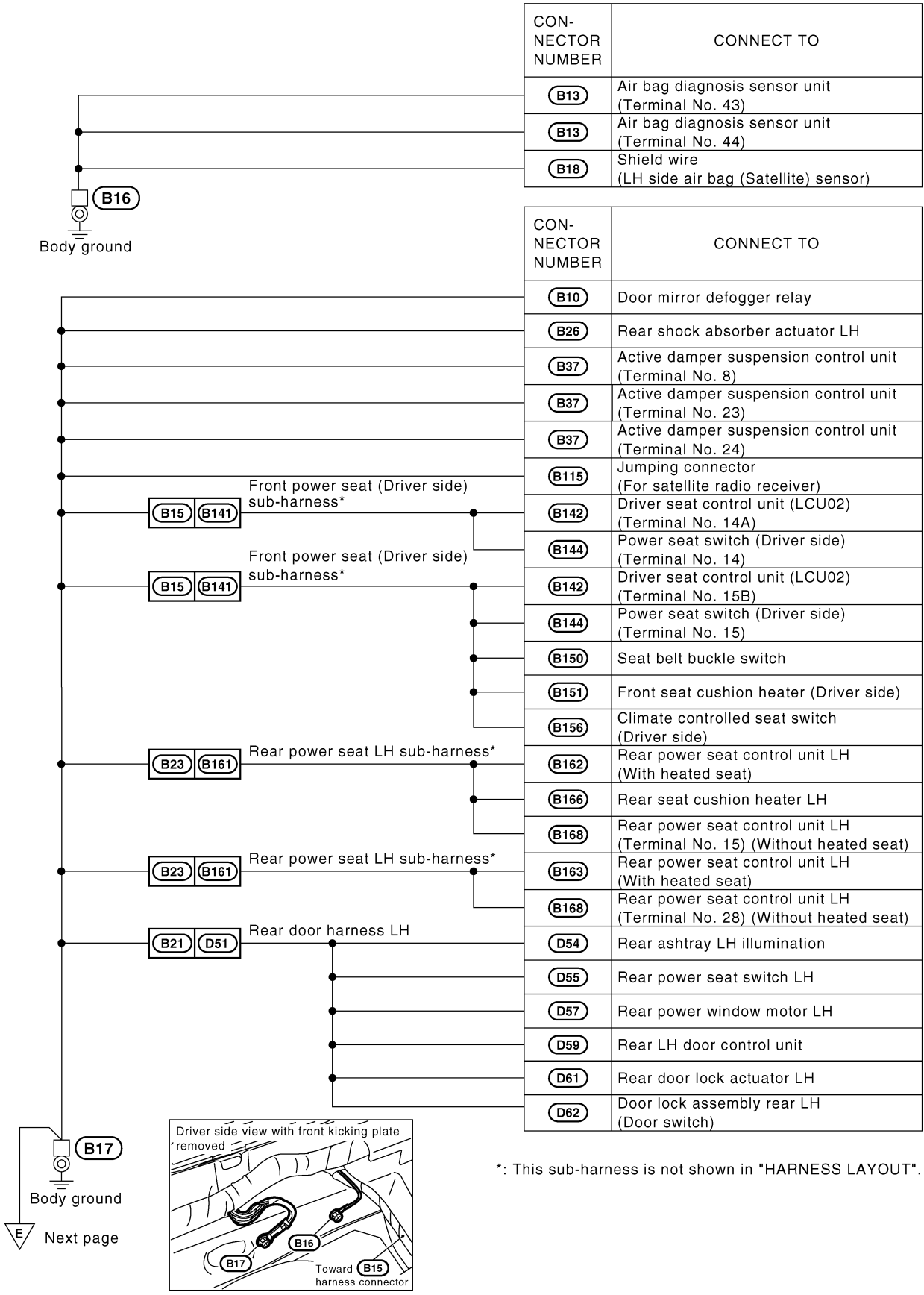
A
B
C
D
E
F
G
H
I
J
L
M

PG

CKIM0331E

GROUND

BODY HARNESS

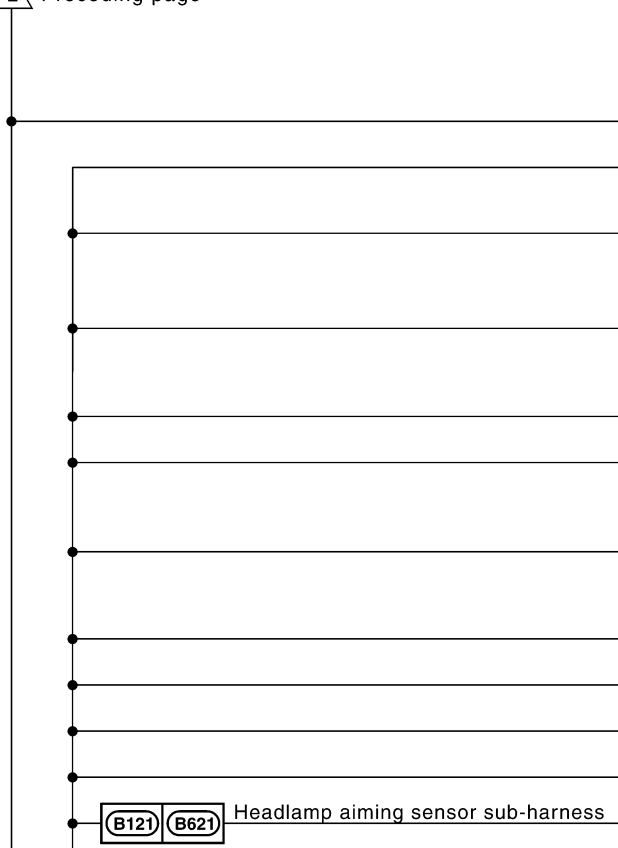


*: This sub-harness is not shown in "HARNES LAYOUT".

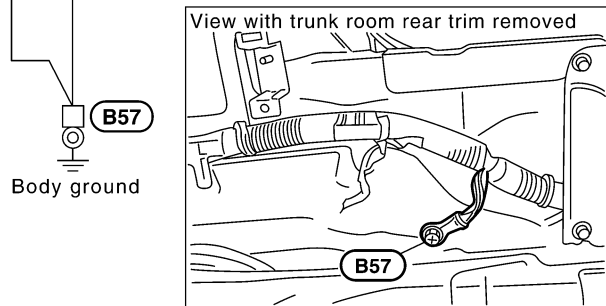
CKIM0332E

GROUND

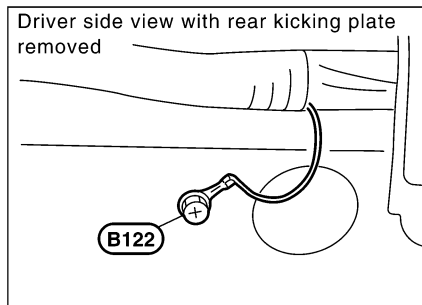
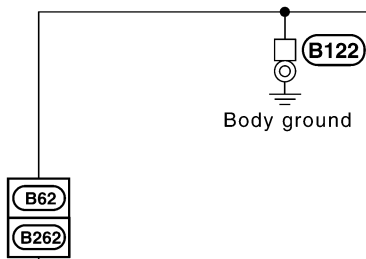
△ E Preceding page



CON-NECTOR NUMBER	CONNECT TO
(B45)	Dropping resistor
(B30)	AV and NAVI control unit (With NAVI) (Terminal No. 1)
(B30)	AV and NAVI control unit (With NAVI) (Terminal No. 4)
(B53)	Rear combination lamp LH • Stop/Tail • Back-up • Turn signal • Side marker
(B55)	Trunk lid striker switch
(B56)	Trunk closure control unit
(B58)	Rear combination lamp RH • Stop/Tail • Back-up • Turn signal • Side marker
(B69)	Voice activated control module
(B73)	Dual mode muffler control unit
(B109)	Auto trunk motor
(B111)	Auto trunk control unit
(B121) (B621)	Headlamp aiming sensor sub-harness
(B622)	Headlamp aiming sensor



CON-NECTOR NUMBER	CONNECT TO
(B117)	Shield wire (Pre-crash seat belt motor LH)



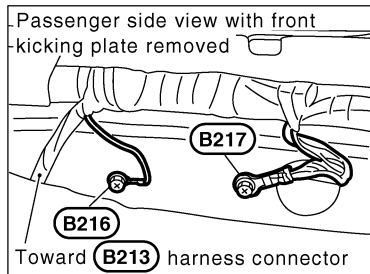
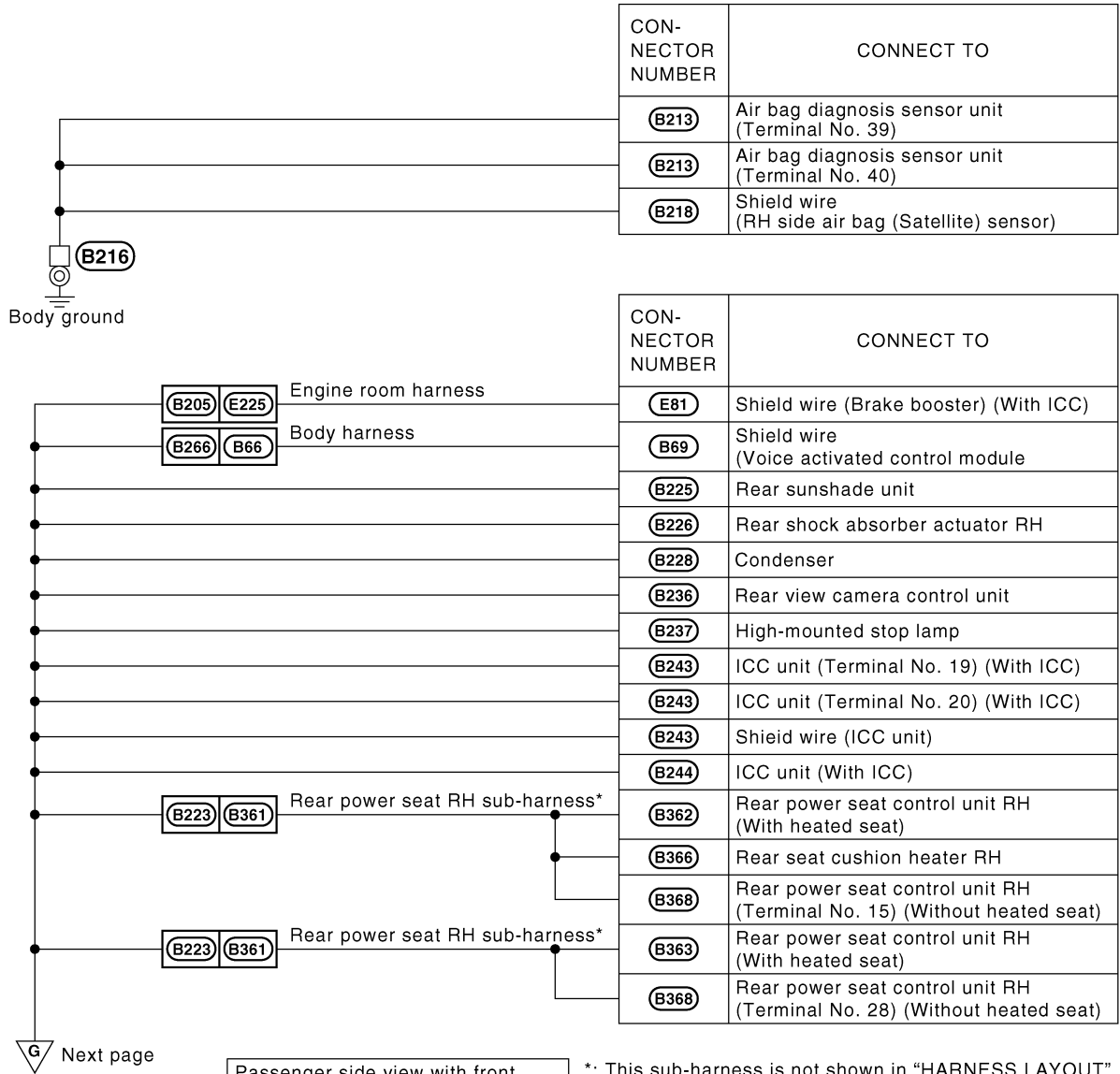
△ F To body No.2 harness

A
B
C
D
E
F
G
H
I
J
PG
L
M

CKIM0333E

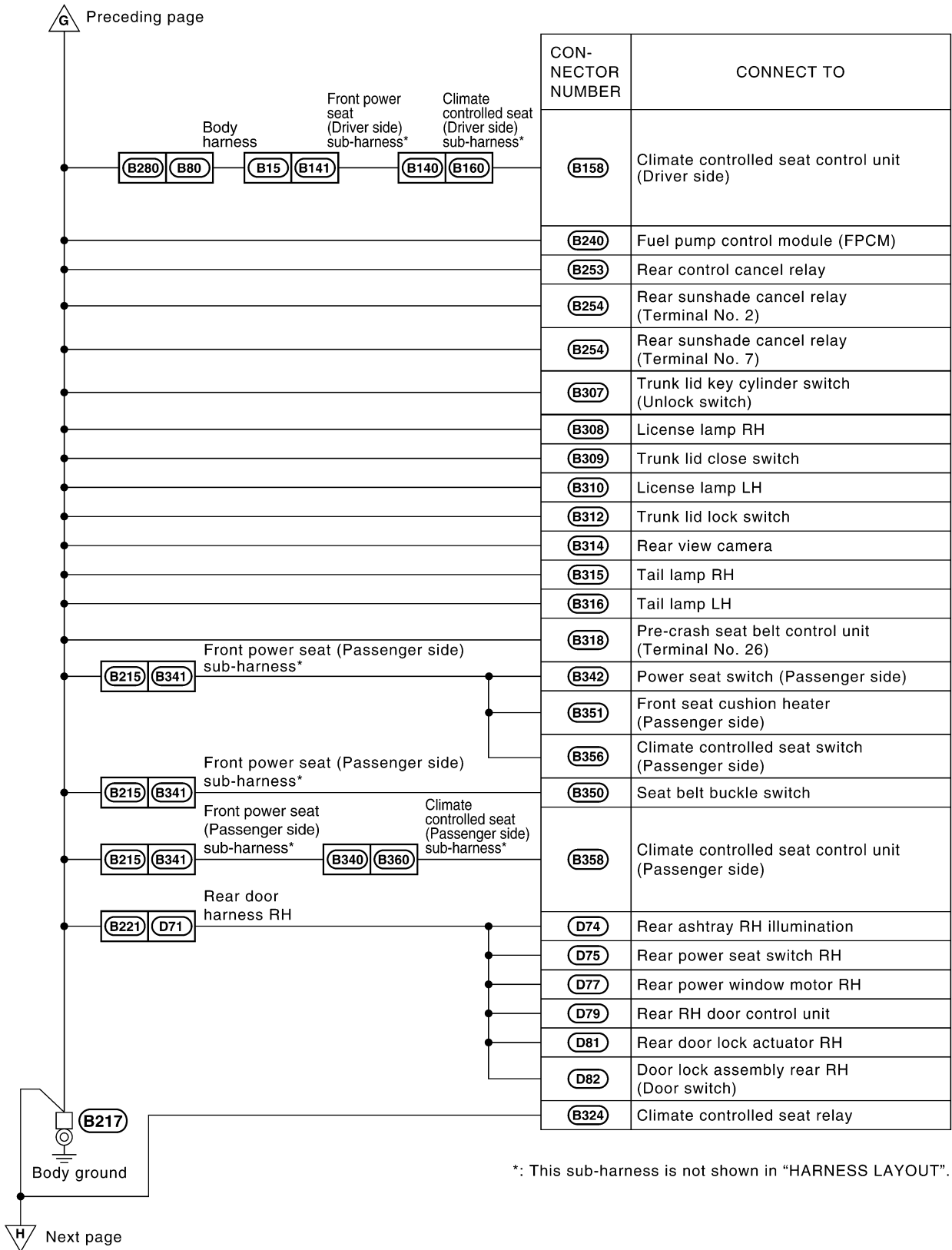
GROUND

BODY NO. 2 HARNESS



*: This sub-harness is not shown in "HARNES LAYOUT".

GROUND

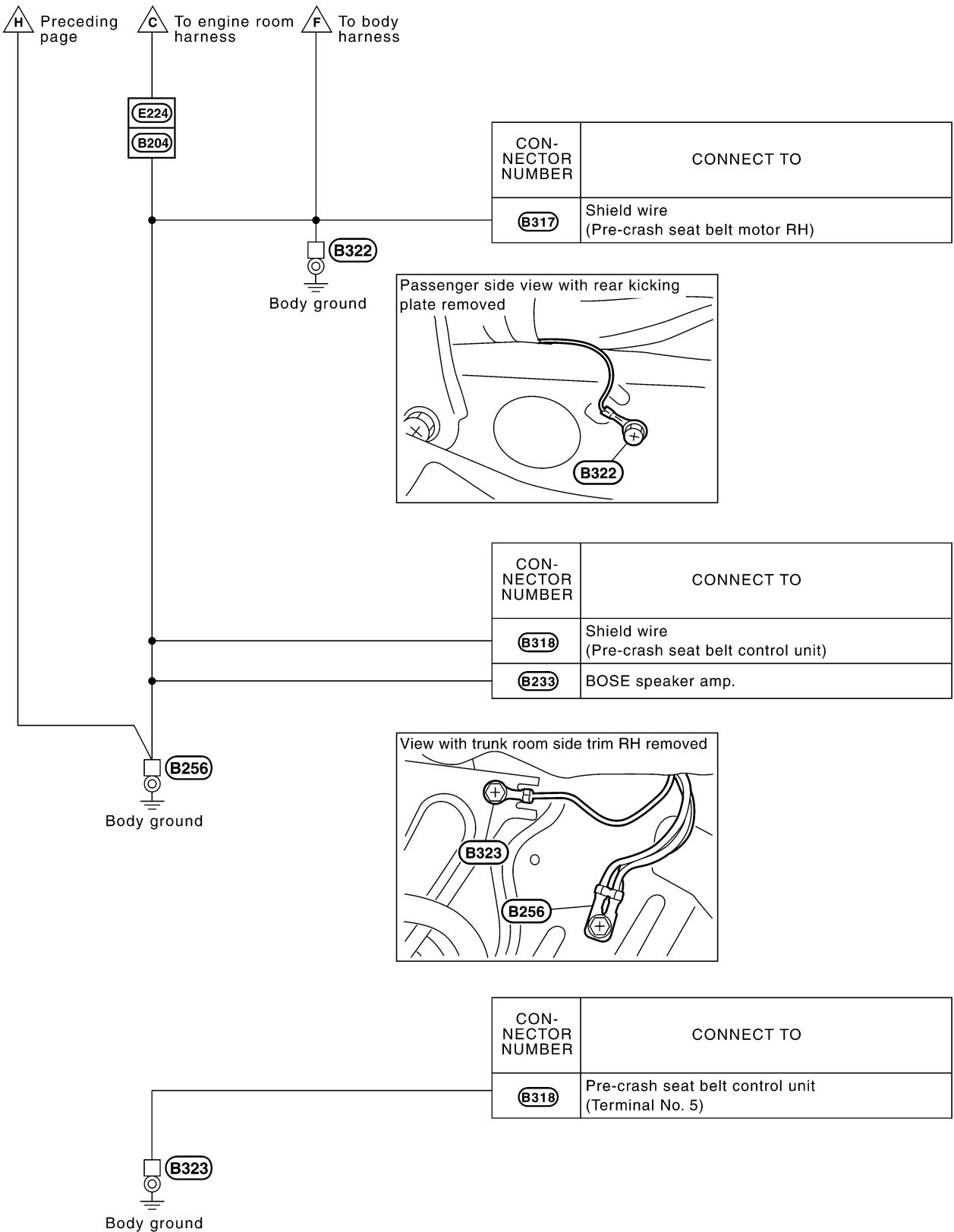


A
B
C
D
E
F
G
H
I
J
PG
L
M

PG

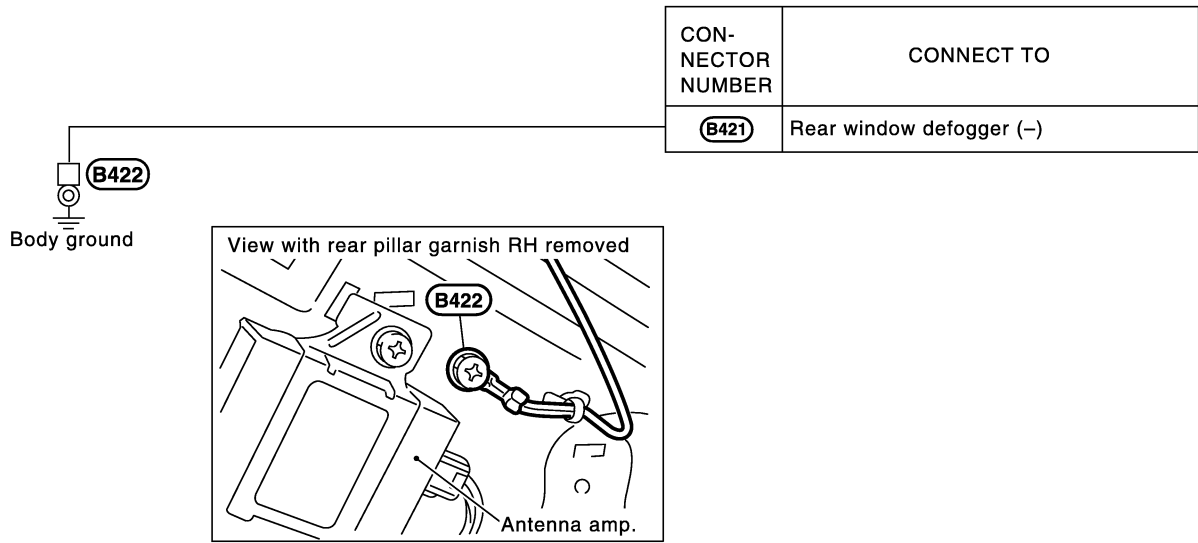
CKIM0335E

GROUND



CKIM0336E

GROUND



A
B
C
D
E
F
G
H
I
J
PG
L
M

CKIM0024E

HARNESS

PFP:00011

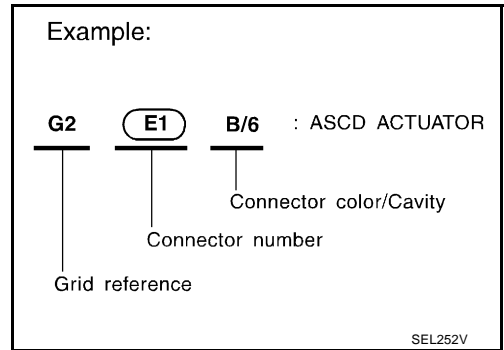
Harness Layout

EKS000DS

HOW TO READ HARNESS LAYOUT

The following Harness Layouts use a map style grid to help locate connectors on the figures:

- Main Harness
- Engine Room Harness (Engine Compartment)
- Engine Control Harness
- Body Harness and Rear Control Harness
- Body No. 2 Harness














To Use the Grid Reference

1. Find the desired connector number on the connector list.
2. Find the grid reference.
3. On the figure, find the crossing of the grid reference letter column and number row.
4. Find the connector number in the crossing zone.
5. Follow the line (if used) to the connector.

CONNECTOR SYMBOL

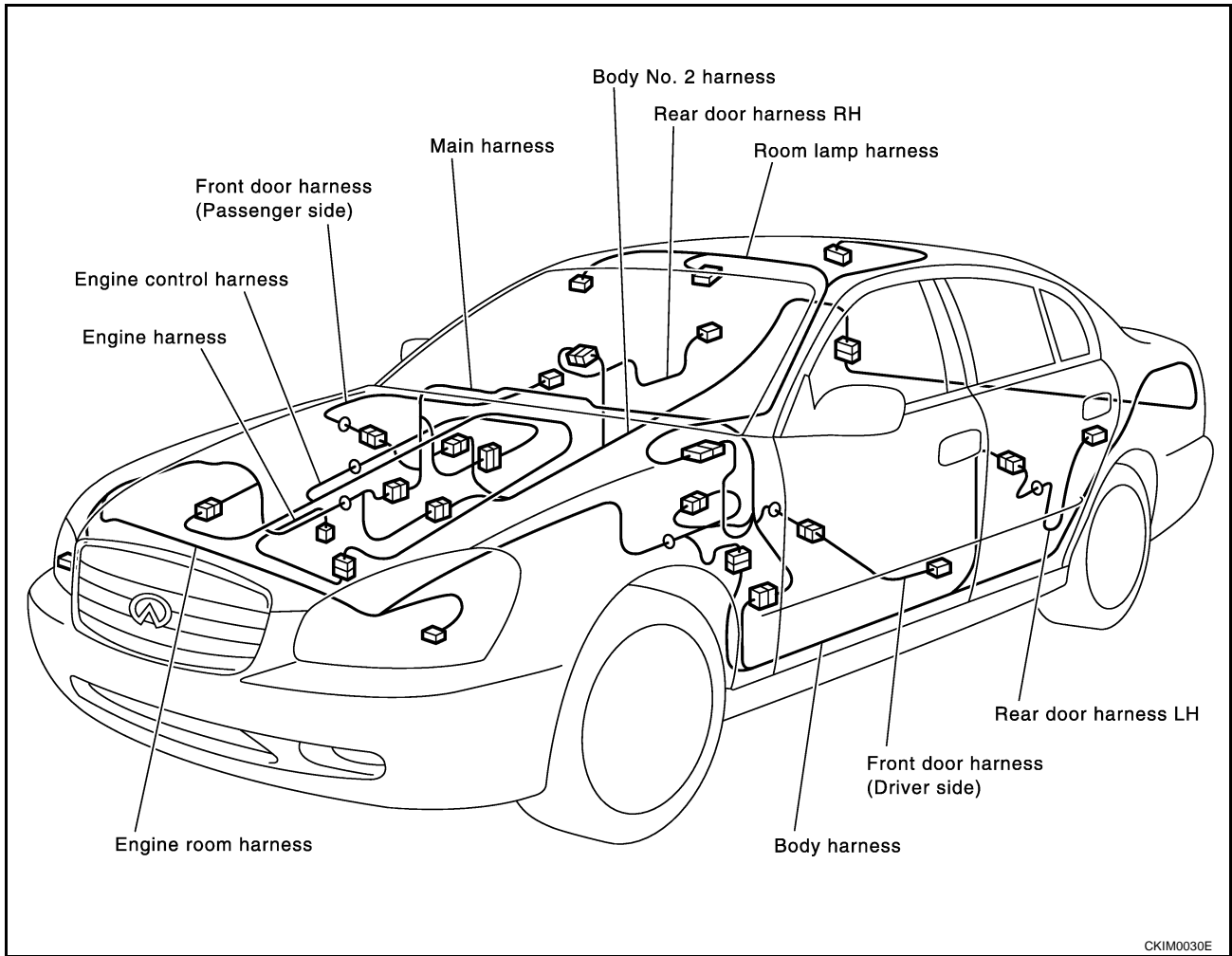
Main symbols of connector (in Harness Layout) are indicated in the below.

Connector type	Water proof type		Standard type	
	Male	Female	Male	Female
<ul style="list-style-type: none"> • Cavity: Less than 4 • Relay connector 				
<ul style="list-style-type: none"> • Cavity: From 5 to 8 				
<ul style="list-style-type: none"> • Cavity: More than 9 	—	—		
<ul style="list-style-type: none"> • Ground terminal etc. 	—			

SKIA0404E

HARNESS

OUTLINE



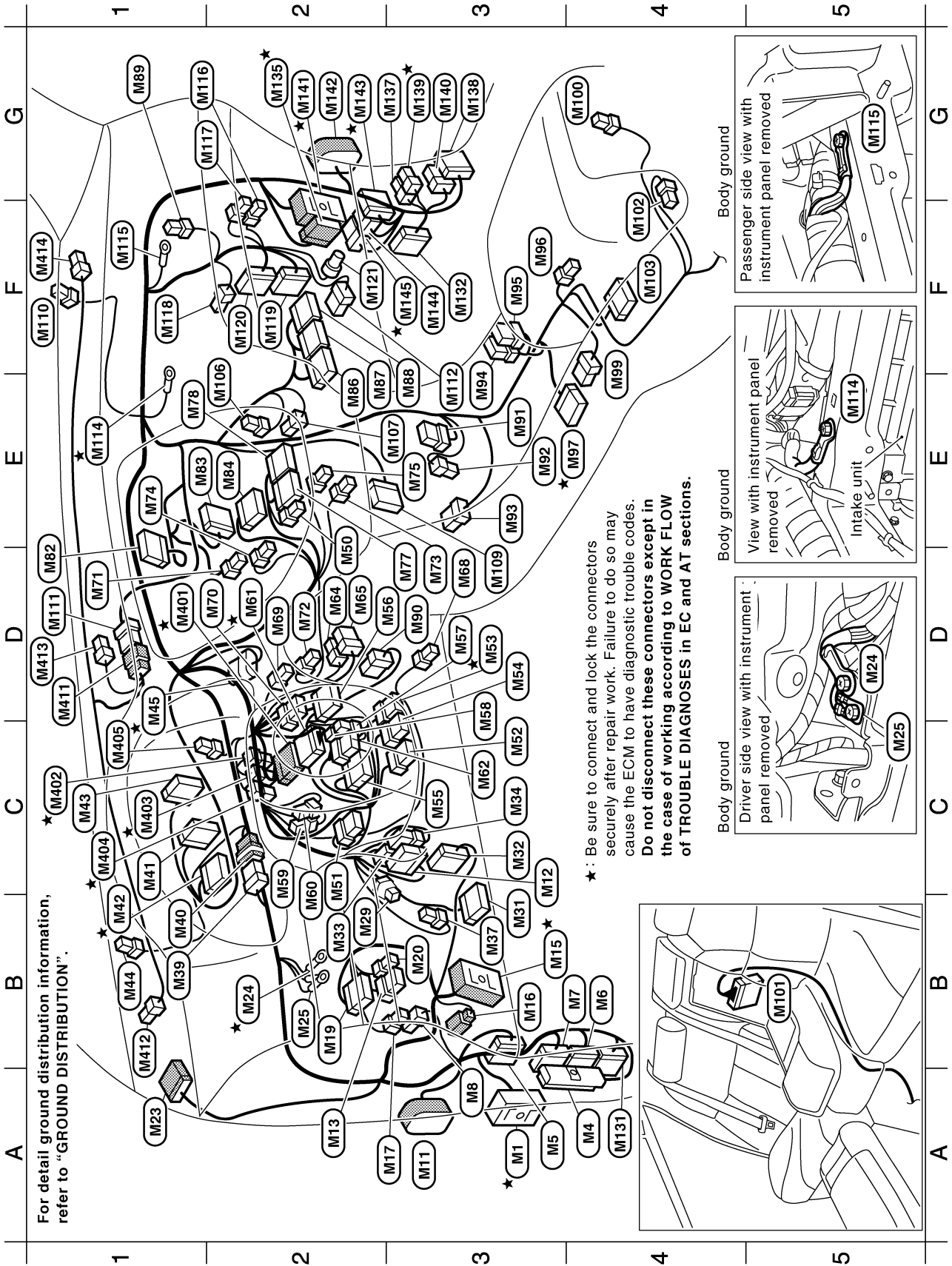
A
B
C
D
E
F
G
H
I
J

PG

L
M

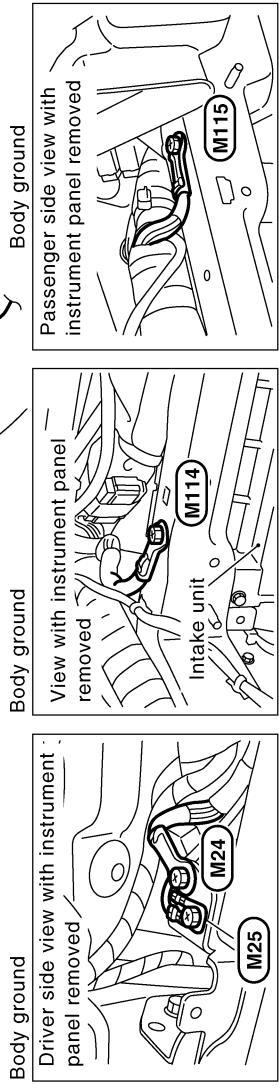
HARNESS

MAIN HARNESS



For detail ground distribution information, refer to "GROUND DISTRIBUTION".

* : Be sure to connect and lock the connectors securely after repair work. Failure to do so may cause the ECM to have diagnostic trouble codes.
Do not disconnect these connectors except in the case of working according to WORK FLOW of TROUBLE DIAGNOSES in EC and AT sections.



Main harness

A3	★ (M1)	SMJ : Fuse block (J/B) No. 1
A4	(M4)	SMJ : BCM (Body control module)
A3	(M5)	SMJ : To (B5)
B4	(M6)	GY/24 : To (B6)
B4	(M7)	W/24 : To (B7)
A3	(M8)	B/1 : Parking brake switch
A3	(M11)	SMJ : To (D1)
C3	(M12)	GY/10 : Shift lock control unit
A2	(M13)	GY/6 : VDC off switch
B3	★ (M15)	SMJ : To (E205)
B3	(M16)	Y/4 : To (E206)
A3	(M17)	W/3 : Illumination control switch
B2	(M19)	W/10 : Door mirror remote control switch
B3	(M20)	GY/4 : Active damper suspension select switch
A1	(M23)	W/18 : To (R3)
B2	★ (M24)	— : Body ground
B2	(M25)	— : Body ground
B2	(M29)	W/2 : Tire pressure warning check switch
B3	(M31)	W/16 : Data link connector
C3	(M32)	W/16 : NATS IMMU
B2	(M33)	W/6 : Headlamp battery saver control unit
C3	(M34)	W/8 : Headlamp battery saver control unit
B3	(M37)	W/3 : ICC warning chime (With ICC)
B1	(M39)	W/8 : To (M40)
B1	(M40)	W/8 : To (M39)
C1	(M41)	BR/20 : Combination meter
B1	★ (M42)	BR/24 : Combination meter
C1	(M43)	W/24 : Combination meter
B1	(M44)	B/2 : Sunload sensor
D1	★ (M45)	GY/6 : Accelerator pedal position sensor
D2	(M50)	GY/3 : AV control unit (Without NAVI)
C2	(M51)	GY/6 : ADP steering switch
C3	(M52)	W/8 : Steering angle sensor
D3	★ (M53)	GY/8 : Combination switch (Spiral cable)
D3	(M54)	Y/6 : Combination switch (Spiral cable)
C3	(M55)	W/12 : Combination switch (Lighting switch)
D2	(M56)	GY/12 : Combination switch (Front wiper switch)
D3	(M57)	W/3 : Tilt sensor
D3	(M58)	W/2 : Tilt motor

C2	(M59)	W/3 : Telescopic sensor
C2	(M60)	W/2 : Telescopic motor
D2	★ (M61)	W/10 : To (M40)
C3	(M62)	W/6 : Combination switch (Front fog lamp switch)
D2	(M64)	W/4 : Key switch and key lock solenoid
D2	(M65)	W/6 : NATS antenna amp.
D3	(M68)	W/2 : In-vehicle sensor
D2	(M69)	GY/4 : Steering lock control unit
D2	(M70)	B/5 : Ignition switch
D1	(M71)	W/4 : Hazard switch
D2	(M72)	W/2 : Ignition keyhole illumination
D3	(M73)	BR/2 : Microphone
E1	(M74)	W/3 : Warning chime
E3	(M75)	W/4 : Clock
D3	(M77)	GY/24 : AV control unit
E1	(M78)	W/24 : AV control unit

} (Without NAVI)

★ : Be sure to connect and lock the connectors securely after repair work.
Failure to do so may cause the ECM to have diagnostic trouble codes.
Do not disconnect these connectors except in the case of working according to WORK FLOW of TROUBLE DIAGNOSES in EC and AT sections.

Main harness

D1	(M82)	GY/24 : Display
E1	(M83)	W/20 : Multifunction switch
E2	(M84)	W/16 : Low tire pressure warning control unit
E2	(M86)	W/12 : Audio unit
E2	(M87)	W/16 : Audio unit
E3	(M88)	W/12 : Audio unit
G1	(M89)	BR/2 : Antenna amp. (Via sub-harness)
D3	(M90)	W/6 : Cooling unit assembly
E3	(M91)	W/8 : Combination flasher unit
E3	(M92)	W/3 : Front cigarette lighter socket
E3	(M93)	B/6 : Rear vent door motor
E3	(M94)	W/6 : Heated seat switch (Driver side)
F3	(M95)	BR/6 : Heated seat switch (Passenger side)
F3	(M96)	W/4 : Handset (Option)
E4	(M97)	W/16 : A/T device
E4	(M99)	B/6 : Yaw rate/Side G sensor
G4	(M100)	B/2 : Front power socket
B5	(M101)	W/24 : To (B501)
F4	(M102)	W/2 : Console box lamp
F4	(M103)	Y/28 : Air bag diagnosis sensor unit
E2	(M106)	W/3 : Mode door motor (Passenger side)
E3	(M107)	W/3 : Air mix door motor (Passenger side)
D3	(M109)	W/16 : CD auto changer
F1	(M110)	W/3 : Optical sensor
D1	(M111)	W/6 : To (M411)
E3	(M112)	W/6 : Blower motor
E1	(M114)	— : Body ground
F1	(M115)	— : Body ground
G1	(M116)	W/2 : Glove box lamp
G1	(M117)	W/2 : Trunk lid opener cancel switch
F1	(M118)	W/3 : Intake door motor
F2	(M119)	GY/20 : A/C auto amp.
F2	(M120)	GY/16 : A/C auto amp.
F2	(M121)	Y/4 : Front passenger air bag module
A4	(M131)	BR/24 : To (B31)
F3	(M132)	W/24 : To (E222)
G2	(M135)	SMJ : To (F105)
G3	(M137)	W/3 : To (B207)
G3	(M138)	BR/24 : To (B208)

G3	(M139)	W/4 : To (B209)
G3	(M140)	GY/6 : To (B210)
G2	(M141)	SMJ : To (B211)
G2	(M142)	SMJ : To (D31)
G2	(M143)	W/10 : Fuse block (J/B) No. 2
F3	(M144)	W/8 : Fuse block (J/B) No. 2
F3	(M145)	W/8 : Fuse block (J/B) No. 2

Main sub-harness-1

D1	(M401)	W/10 : To (M61)
C1	(M402)	W/4 : Stop lamp switch
C1	(M403)	BR/2 : ASCD brake switch (Without ICC)
C1	(M404)	BR/2 : ICC brake switch (With ICC)
C1	(M405)	B/4 : Brake pedal stroke sensor

Main sub-harness-2

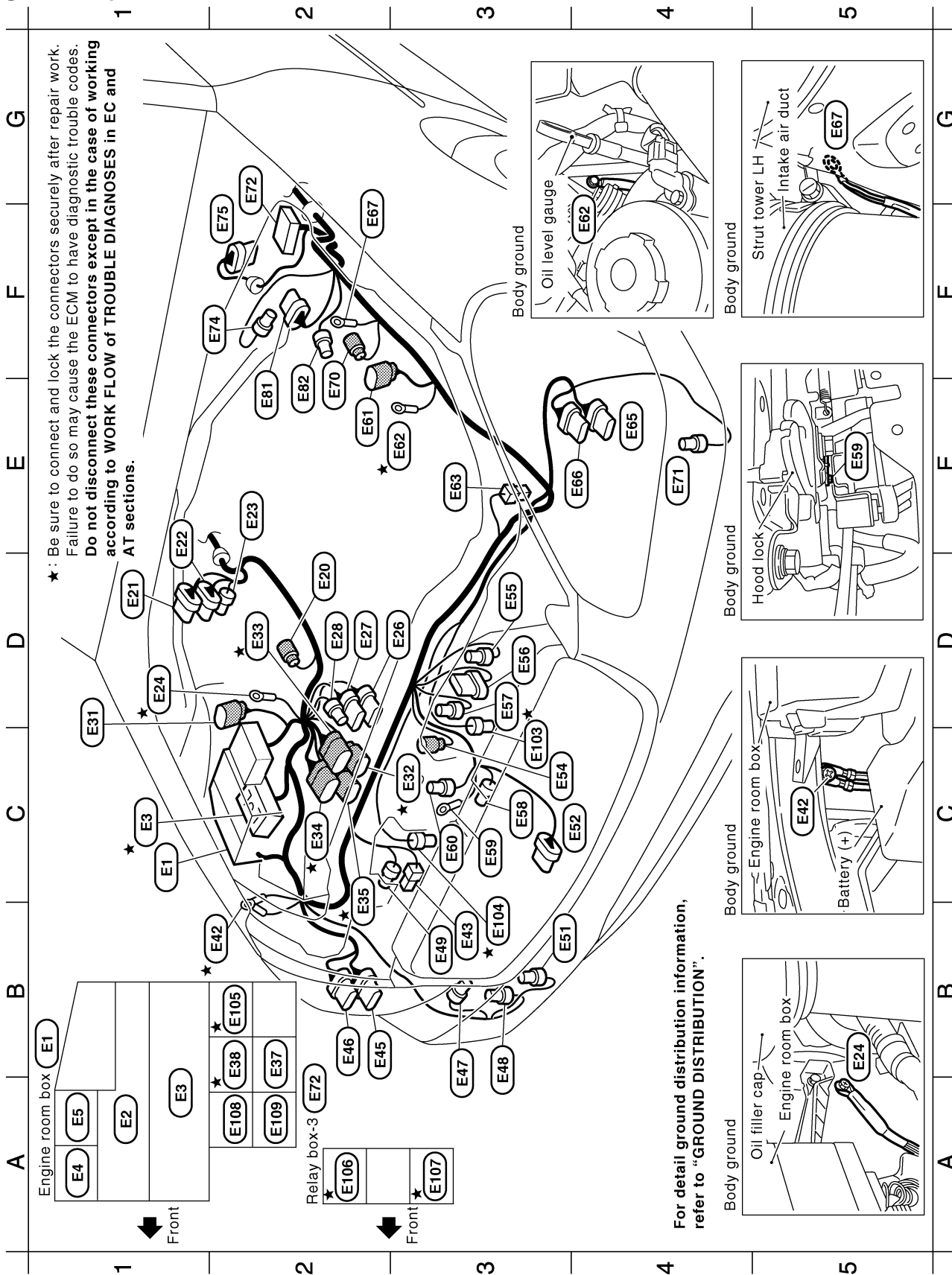
D1	(M411)	W/6 : To (M111)
B1	(M412)	BR/2 : Instrument speaker LH
D1	(M413)	BR/2 : Instrument speaker center
F1	(M414)	BR/2 : Instrument speaker RH

★ : Be sure to connect and lock the connectors securely after repair work.
 Failure to do so may cause the ECM to have diagnostic trouble codes.
Do not disconnect these connectors except in the case of working according to WORK FLOW of TROUBLE DIAGNOSES in EC and AT sections.

HARNESS

ENGINE ROOM HARNESS

Engine Compartment



A B C D E F G H I J K L M

PG

TKIM0218E

C1	—	Engine room box	E1	B/1	Horn high	E63	E3
A1	—	Fuse, fusible link and relay box	E2	DGY/8	Front combination lamp LH	E65	E4
C1	★	Fuse, fusible link and relay block (J/B)	E3	SB/8	Front combination lamp LH	E66	E4
A1	—	Front wiper relay	E4	—	Body ground	E67	F2
A1	—	Headlamp relay-2	E5	L/4	Front wheel sensor LH	E70	E2
D2	—	Front wheel sensor RH	E20	GY/2	Front fog lamp LH	E71	E4
D1	—	VDC actuator	E21	DGY/8	Relay box-3	E72	G2
E1	—	VDC actuator	E22	SB/8	Brake fluid level switch	E74	F2
E2	—	VDC actuator	E23	B/2	Front wiper motor	E75	F2
D1	★	Body ground	E24	—	Brake booster	E81	E2
D3	—	Daytime light control unit	E26	SB/8	Brake pressure sensor	E82	E2
D2	—	Daytime light control unit	E27	SB/6	Brake pressure sensor	E103	C3
D2	—	Daytime light control unit	E28	SB/4	Cooling fan motor-1	E104	B3
D1	—	Front shock absorber actuator RH	E31	GY/6	Cooling fan motor-2	E105	B2
C3	★	To F32	E32	SB/8	Cooling fan relay-1	E106	A2
D2	★	To F33	E33	GY/10	Cooling fan relay-2	E107	A3
C2	★	To F34	E34	G/10	Cooling fan relay-3	E108	A2
C2	★	To E305	E35	GY/9	Front fog lamp relay	E109	A2
B2	—	Fuse block	E37	—	Front wiper rain relay	E109	A2
B2	★	ICC brake hold relay (With ICC)	E38	GY/6			
B2	★	Body ground	E42	—			
B3	—	Horn low	E43	B/1			
B2	—	Front combination lamp RH	E45	DGY/8			
B2	—	Front combination lamp RH	E46	SB/8			
B3	—	Washer level switch	E47	BR/2			
B3	—	Front washer motor	E48	GY/2			
B3	—	Refrigerant pressure sensor	E49	B/3			
C4	—	Front fog lamp RH	E51	B/2			
C3	—	ICC sensor (With ICC)	E52	GY/6			
D3	—	Hood switch	E54	GY/2			
D3	—	VDC relay box	E55	GY/2			
D3	—	VDC relay box	E56	DGY/8			
C3	—	VDC relay box	E57	B/2			
C3	—	Ambient sensor	E58	B/2			
C3	—	Body ground	E59	—			
C3	—	Crash zone sensor	E60	Y/2			
E2	—	Front shock absorber actuator LH	E61	GY/6			
E3	★	Body ground	E62	—			

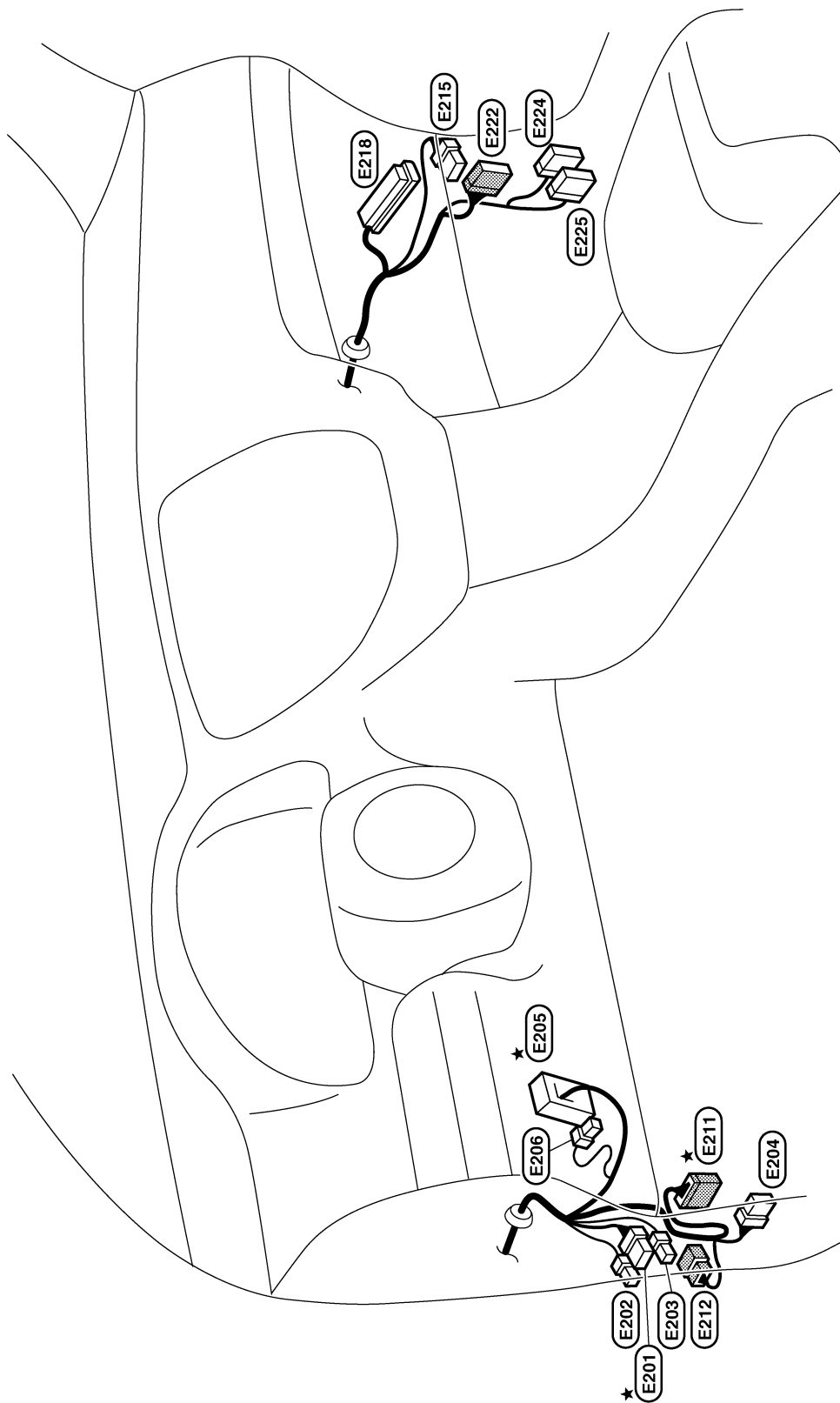
(With ICC)

(For Canada)

★ : Be sure to connect and lock the connectors securely after repair work.
 Failure to do so may cause the ECM to have diagnostic trouble codes.
Do not disconnect these connectors except in the case of working according to WORK FLOW of TROUBLE DIAGNOSES in EC and AT sections.

HARNESS

Passenger Compartment



E218 SMJ : VDC/TCS/ABS control unit
 E222 W/24 : To M132
 E224 W/12 : To B204
 E225 W/20 : To B205 (With ICC)

E201 ★ W/8 : Fuse block (J/B) No. 1
 E202 W/4 : Fuse block (J/B) No. 1
 E203 W/4 : Fuse block (J/B) No. 1
 E204 BR/8 : BCM (Body control module)
 E205 ★ SMJ : To M15
 E206 Y/4 : To M16
 E211 ★ W/20 : To B11
 E212 BR/6 : To B12
 E215 W/6 : Fuse block (J/B) No. 2

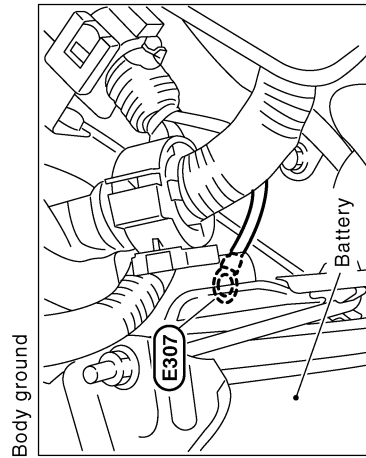
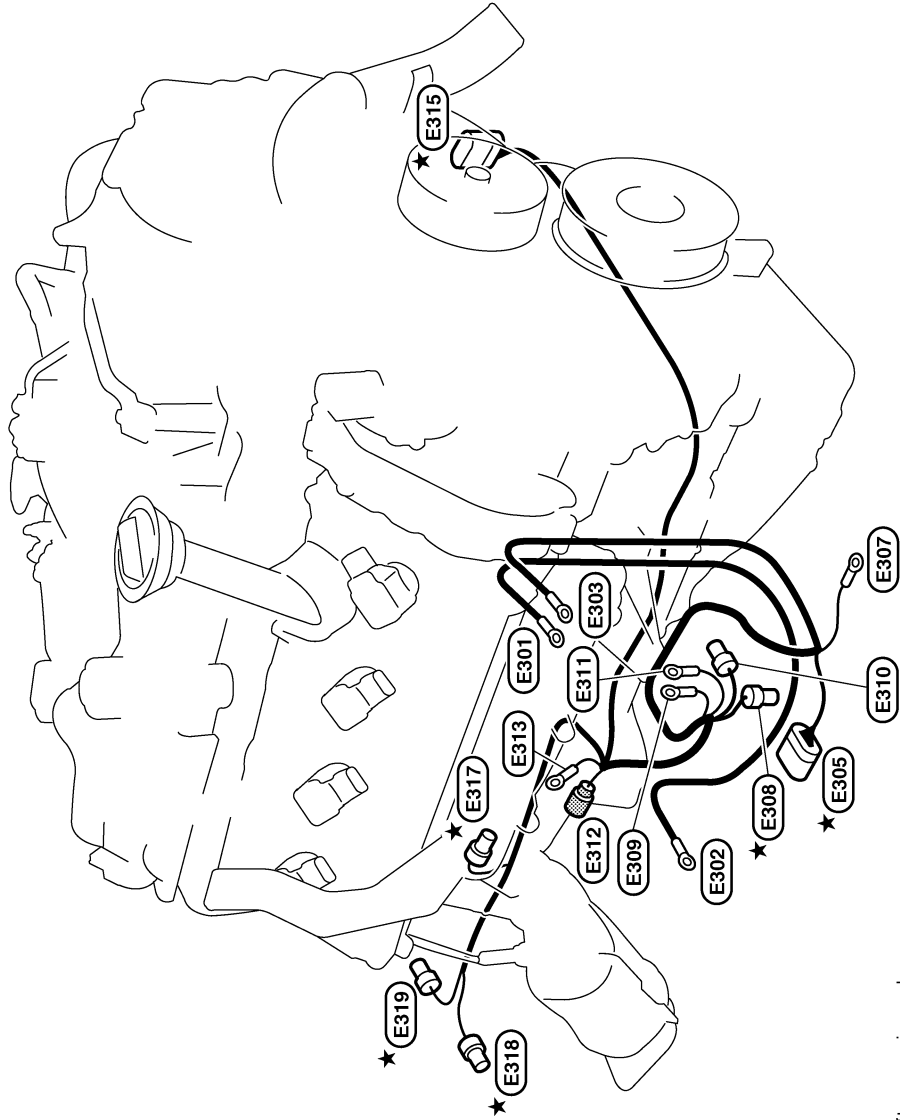
★ : Be sure to connect and lock the connectors securely after repair work. Failure to do so may cause the ECM to have diagnostic trouble codes. **Do not disconnect these connectors except in the case of working according to WORK FLOW of TROUBLE DIAGNOSES in EC and AT sections.**

A B C D E F G H I J PG L M

HARNESS

ENGINE HARNESS

- (E301) - : Battery (+)
- (E302) - : Fuse, fusible link and relay box and fuse, fusible link and relay block (J/B)
- (E303) - : Battery (+)
- ★ (E305) GY/9 : To (E35)
- (E307) - : Body ground
- ★ (E308) B/3 : Power steering pressure sensor
- (E309) - : Alternator
- (E310) B/3 : Alternator
- (E311) - : Alternator
- (E312) GY/1 : Starter motor
- (E313) - : Starter motor
- ★ (E319) GY/10 : To (F5)
- ★ (E317) B/3 : Crankshaft position sensor (POS)
- ★ (E318) L/4 : Heated oxygen sensor 2 (Bank 2)
- ★ (E319) G/4 : Heated oxygen sensor 2 (Bank 1)



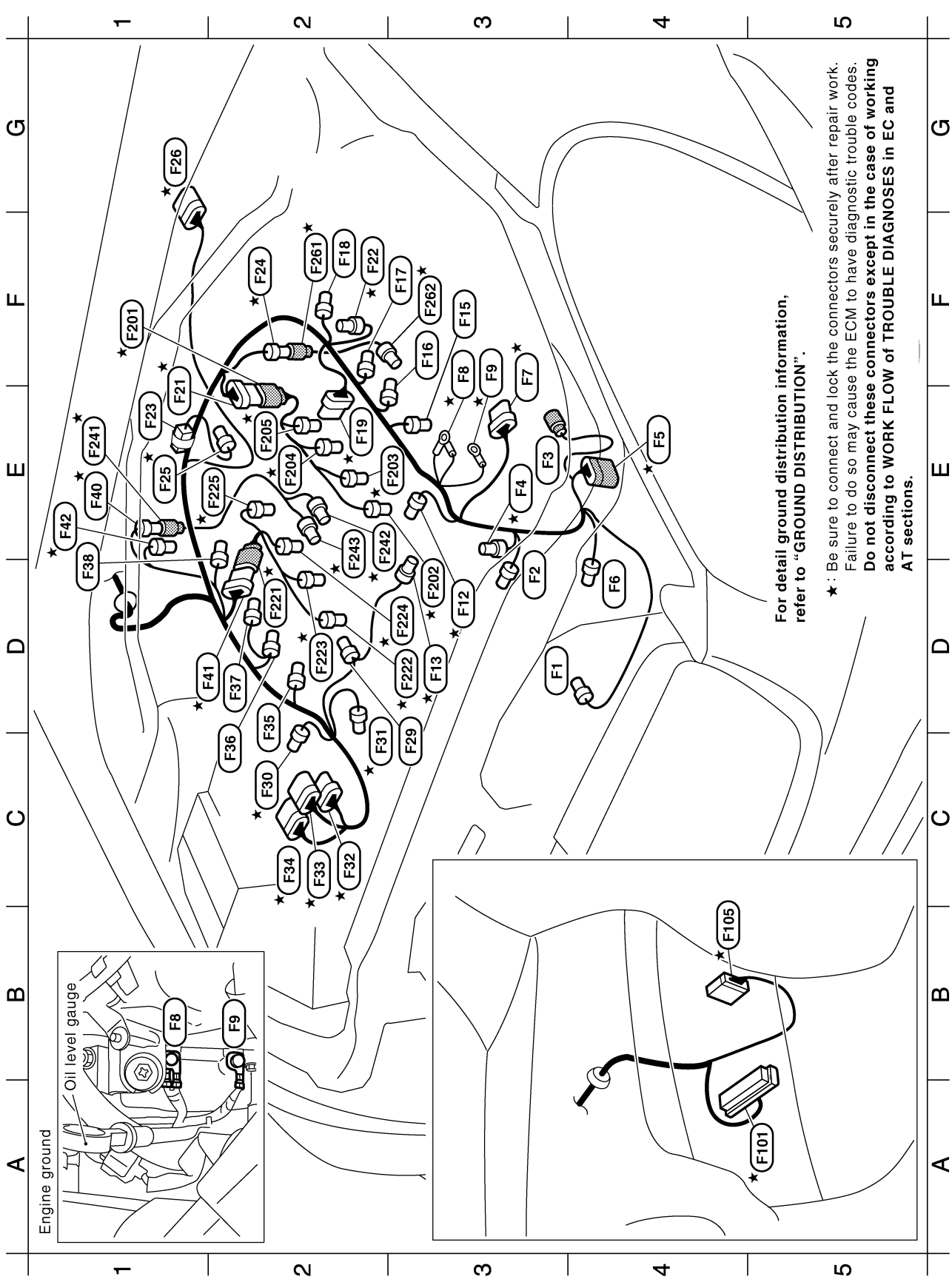
For detail ground distribution information, refer to "GROUND DISTRIBUTION".

★ : Be sure to connect and lock the connectors securely after repair work. Failure to do so may cause the ECM to have diagnostic trouble codes. Do not disconnect these connectors except in the case of working according to WORK FLOW of TROUBLE DIAGNOSES in EC and AT sections.

TKIM0221E

HARNESS

ENGINE CONTROL HARNESS



For detail ground distribution information, refer to "GROUND DISTRIBUTION".

★: Be sure to connect and lock the connectors securely after repair work. Failure to do so may cause the ECM to have diagnostic trouble codes. Do not disconnect these connectors except in the case of working according to WORK FLOW of TROUBLE DIAGNOSES in EC and AT sections.

A B C D E F G
1 2 3 4 5
PG
L M

Engine control harness

D3	(F1)	GY/1 : Oil pressure switch
D3	(F2)	B/1 : Compressor (Magnet clutch)
E3	(F3)	BR/2 : Power steering solenoid valve
E3	(F4)	B/3 : Camshaft position sensor (PHASE)
E4	(F5)	GY/10 : To (E315)
D4	(F6)	B/2 : Compressor (ECV solenoid valve)
F3	(F7)	B/6 : Mass air flow sensor
F3	(F8)	— : Engine ground
F3	(F9)	— : Engine ground
D3	(F12)	B/3 : Intake valve timing control position sensor (Bank 1)
D3	(F13)	G/2 : Intake valve timing control solenoid valve (Bank 1)
F3	(F15)	GY/3 : Ignition coil (With power transistor) No. 1
F3	(F16)	GY/3 : Ignition coil (With power transistor) No. 3
F3	(F17)	GY/3 : Ignition coil (With power transistor) No. 5
F3	(F18)	GY/3 : Ignition coil (With power transistor) No. 7
E2	(F19)	G/6 : Electric throttle control actuator
E1	(F21)	G/6 : To (F201)
F2	(F22)	G/4 : Heated oxygen sensor 1 (Bank 1)
E1	(F23)	GY/2 : Condenser
F2	(F24)	SB/2 : To (F261)
E1	(F25)	L/2 : EVAP canister purge volume control solenoid valve
G1	(F26)	G/10 : A/T assembly
C3	(F29)	B/2 : VIAS control solenoid valve
C2	(F30)	B/3 : Intake valve timing control position sensor (Bank 2)
C2	(F31)	G/2 : Intake valve timing control solenoid valve (Bank 2)
C2	(F32)	SB/8 : To (E32)
C2	(F33)	GY/10 : To (E33)
C2	(F34)	G/10 : To (E34)
D2	(F35)	GY/3 : Ignition coil (With power transistor) No. 2
C2	(F36)	GY/3 : Ignition coil (With power transistor) No. 4
D2	(F37)	GY/3 : Ignition coil (With power transistor) No. 6
D1	(F38)	GY/3 : Ignition coil (With power transistor) No. 8
E1	(F40)	DGY/4 : To (F241)
D1	(F41)	G/6 : To (F221)
E1	(F42)	G/4 : Heated oxygen sensor 1 (Bank 2)
A5	(F101)	SMJ : ECM
B4	(F105)	SMJ : To (M135)

Engine control sub-harness-1

F1	(F201)	G/6 : To (F21)
D3	(F202)	GY/2 : Injector No. 1
E3	(F203)	GY/2 : Injector No. 3
E2	(F204)	GY/2 : Injector No. 5
E2	(F205)	GY/2 : Injector No. 7

Engine control sub-harness-2

D2	(F221)	G/6 : To (F41)
D3	(F222)	GY/2 : Injector No. 2
D2	(F223)	GY/2 : Injector No. 4
D3	(F224)	GY/2 : Injector No. 6
E2	(F225)	GY/2 : Injector No. 8

Engine control sub-harness-3

E1	(F241)	B/4 : To (F40)
E2	(F242)	L/2 : Knock sensor (Bank 1)
E2	(F243)	L/2 : Knock sensor (Bank 2)

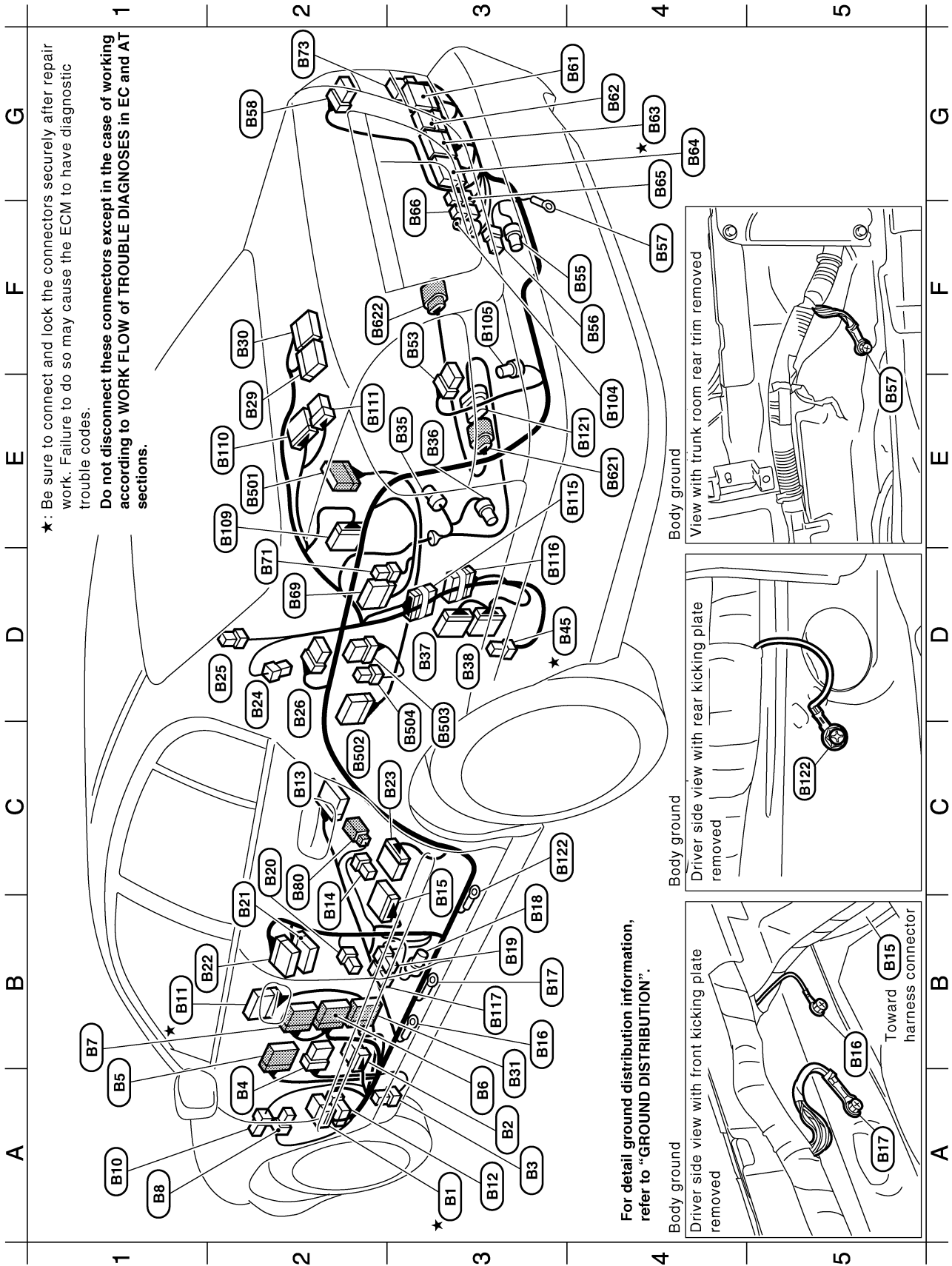
Engine control sub-harness-4

F2	(F261)	SB/2 : To (F24)
F3	(F262)	GY/2 : Engine coolant temperature sensor

★ : Be sure to connect and lock the connectors securely after repair work. Failure to do so may cause the ECM to have diagnostic trouble codes. **Do not disconnect these connectors except in the case of working according to WORK FLOW of TROUBLE DIAGNOSES in EC and AT sections.**

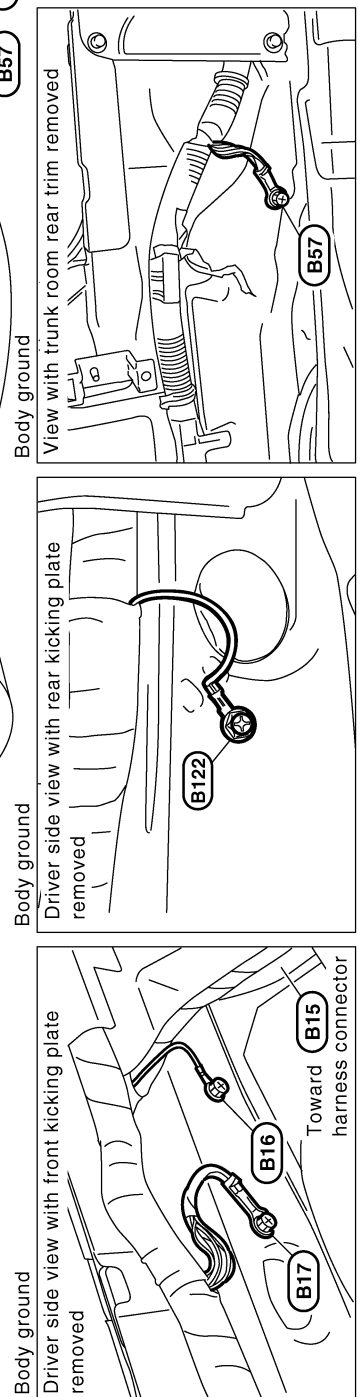
HARNESS

BODY HARNESS AND REAR CONTROL HARNESS



★: Be sure to connect and lock the connectors securely after repair work. Failure to do so may cause the ECM to have diagnostic trouble codes.
 Do not disconnect these connectors except in the case of working according to WORK FLOW of TROUBLE DIAGNOSES in EC and AT sections.

For detail ground distribution information, refer to "GROUND DISTRIBUTION".



A B C D E F G H I J K L M N O P Q R S T U V W X Y Z

PG

Body harness

A3	★ (B1)	W/8	: Fuse block (J/B) No. 1
A3	(B2)	W/6	: Fuse block (J/B) No. 1
A3	(B3)	W/3	: Front vertical G sensor
A2	(B4)	W/8	: BCM (Body control module)
A1	(B5)	SMJ	: To (M5)
A3	(B6)	GY/24	: To (M6)
B1	(B7)	W/24	: To (M7)
A1	(B8)	BR/6	: Rear window defogger and door mirror defogger relay
A1	(B10)	L/4	: Door mirror defogger relay
B1	★ (B11)	W/20	: To (E211)
A3	(B12)	BR/6	: To (E212)
C2	(B13)	Y/12	: Air bag diagnosis sensor unit
B2	(B14)	Y/2	: Front LH side air bag module
C3	(B15)	W/10	: Front power seat (Driver side) (Via sub-harness)
B3	(B16)	—	: Body ground
B3	(B17)	—	: Body ground
B3	(B18)	Y/2	: LH side air bag (Satellite) sensor
B3	(B19)	Y/2	: Front LH seat belt pre-tensioner
C2	(B20)	W/3	: Front door switch (Driver side)
B2	(B21)	W/15	: To (D51)
B2	(B22)	GY/15	: To (D51) (With rear power seat)
C3	(B23)	W/18	: Rear power seat LH (Via sub-harness)
D2	(B24)	Y/2	: LH side curtain air bag module
D2	(B25)	W/1	: Condenser (Rear window defogger)
D2	(B26)	W/6	: Rear shock absorber actuator LH
E2	(B29)	GY/24	: AV and NAVI control unit
F2	(B30)	W/24	: AV and NAVI control unit
A3	(B31)	BR/24	: To (W131)
E3	(B35)	SB/4	: Rear wheel sensor
E3	(B36)	GY/2	: Dual mode muffler actuator
D3	(B37)	W/24	: Active damper suspension control unit
D3	(B38)	GY/24	: Active damper suspension control unit
D3	★ (B45)	W/2	: Dropping resistor
F3	(B53)	W/6	: Rear combination lamp LH
F4	(B55)	GY/2	: Trunk lid striker switch
F4	(B56)	W/4	: Trunk closure control unit
F4	(B57)	—	: Body ground
G2	(B58)	W/6	: Rear combination lamp RH

G4	(B61)	W/12	: To (B261)
G4	(B62)	BR/8	: To (B262)
G4	(B63)	W/10	: To (B263)
G4	(B64)	W/16	: To (B264)
G4	(B65)	W/2	: To (B265) (With ICC)
F3	(B66)	W/3	: To (B266)
D2	(B69)	W/22	: Voice activated control module
D2	(B71)	GY/3	: Voice activated control module
G2	(B73)	W/6	: Dual mode muffler control unit
C2	(B80)	W/4	: To (E280) (With climate controlled seat)
E4	(B104)	BR/2	: Auto trunk buzzer-1
F3	(B105)	BR/2	: Auto trunk buzzer-2
E2	(B109)	W/10	: Auto trunk motor
E2	(B110)	W/16	: Auto trunk control unit
E2	(B111)	W/6	: Auto trunk control unit
E4	(B115)	W/16	: Jumping connector (For satellite radio receiver)
D3	(B116)	W/16	: Jumping connector (For satellite radio receiver)
B3	(B117)	W/2	: Pre-crash seat belt motor LH
E4	(B121)	BR/8	: To (B621)
C3	(B122)	—	: Body ground

Rear control harness

E2	(B501)	W/24	: To (M101)
C2	(B502)	W/12	: Rear control switch
C3	(B503)	W/6	: Rear sunshade rear switch
C3	(B504)	W/4	: Auto return cancel switch

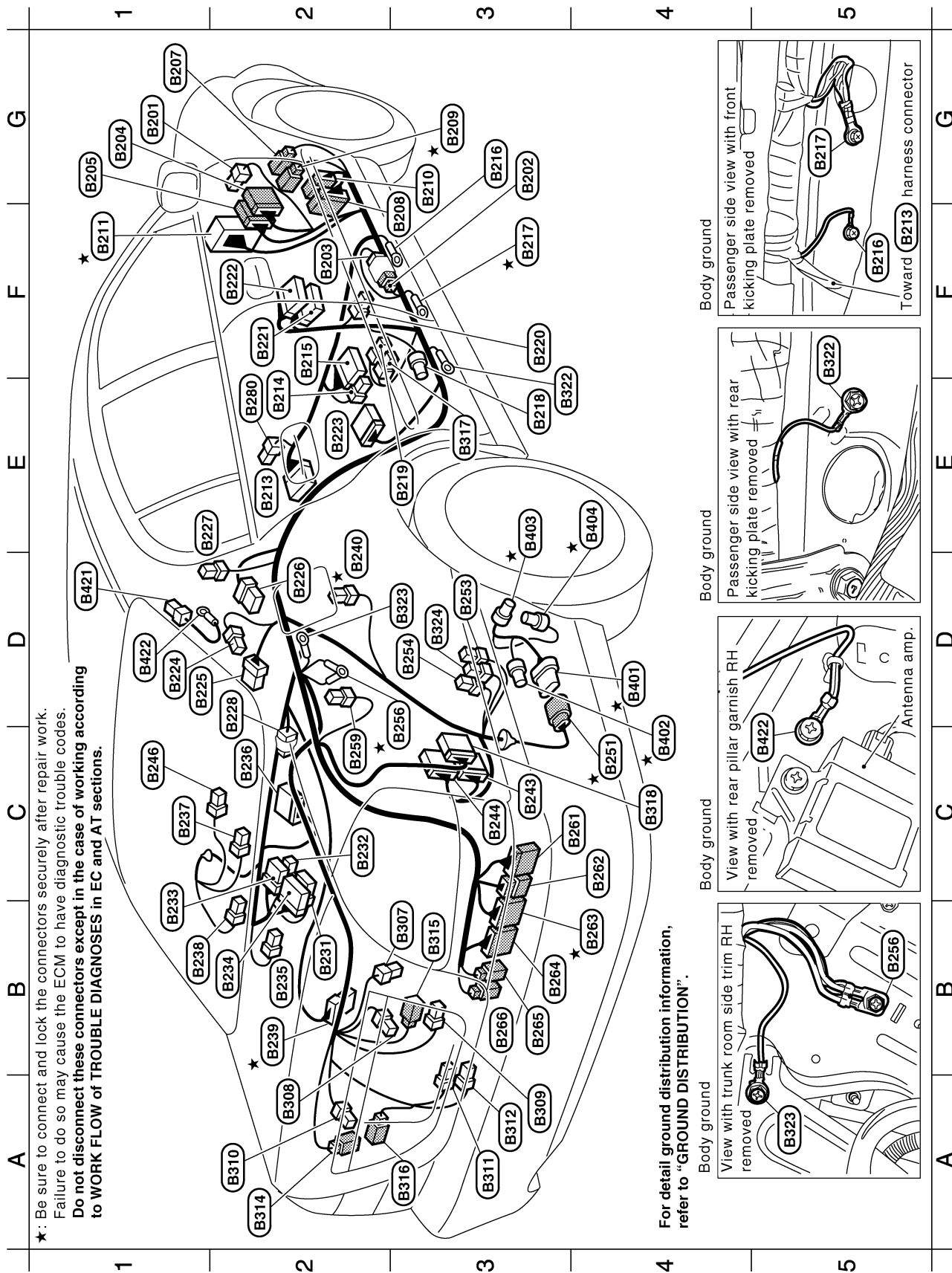
Headlamp aiming sensor sub-harness

E4	(B621)	BR/8	: To (B121)
F2	(B622)	GY/6	: Headlamp aiming sensor

★ : Be sure to connect and lock the connectors securely after repair work.
 Failure to do so may cause the ECM to have diagnostic trouble codes.
Do not disconnect these connectors except in the case of working according to WORK FLOW of TROUBLE DIAGNOSES in EC and AT sections.

HARNESS

BODY NO. 2 HARNESS



★: Be sure to connect and lock the connectors securely after repair work. Failure to do so may cause the ECM to have diagnostic trouble codes. Do not disconnect these connectors except in the case of working according to WORK FLOW of TROUBLE DIAGNOSES in EC and AT sections.

For detail ground distribution information, refer to "GROUND DISTRIBUTION".

TKIM0226E

Body No. 2 harness

G1	(B201)	W/4 : Fuse block (J/B) No. 2
G3	(B202)	W/3 : To (B203)
F2	(B203)	W/3 : To (B202)
G1	(B204)	W/12 : To (E224)
G1	(B205)	W/20 : To (E225) (With ICC)
G1	(B207)	W/3 : To (M137)
F3	(B208)	BR/24 : To (M138)
G3	(B209)	W/4 : To (M139)
G3	(B210)	GY/6 : To (M140)
F1	(B211)	SMJ : To (M141)
E2	(B213)	Y/12 : Air bag diagnosis sensor unit
E2	(B214)	Y/2 : Front RH side air bag module
F2	(B215)	W/10 : Front power seat (Passenger side) (Via sub-harness)
G3	(B216)	— : Body ground
F3	(B217)	— : Body ground
E3	(B218)	Y/2 : RH side air bag (Satellite) sensor
E3	(B219)	Y/2 : Front RH seat belt pre-tensioner
F3	(B220)	W/3 : Front door switch (Passenger side)
F2	(B221)	W/15 : To (D71)
F2	(B222)	GY/15 : To (D71) (With rear power seat)
E2	(B223)	W/18 : Rear power seat RH (Via sub-harness)
D1	(B224)	Y/2 : RH side curtain air bag module
D1	(B225)	W/6 : Rear sunshade unit
D2	(B226)	W/6 : Rear shock absorber actuator RH
E1	(B227)	W/3 : Rear vertical G sensor
D2	(B228)	GY/2 : Condenser
B2	(B231)	B/6 : BOSE speaker amp.
C2	(B232)	W/4 : BOSE speaker amp.
B1	(B233)	LG/18 : BOSE speaker amp.
B2	(B234)	B/24 : BOSE speaker amp.
B2	(B235)	W/2 : Woofer
C2	(B236)	W/16 : Rear view camera control unit
C1	(B237)	W/2 : High-mounted stop lamp
B1	(B238)	W/2 : Trunk room lamp
B2	(B239)	W/6 : Fuel level sensor unit and fuel pump
D2	(B240)	W/4 : Fuel pump control module (FPCM)
C3	(B243)	W/24 : ICC unit
C3	(B244)	GY/24 : ICC unit } (With ICC)
C1	(B246)	W/4 : Remote keyless entry receiver
C4	(B251)	SB/8 : To (B401)

D3	(B253)	L/4 : Rear control cancel relay
D3	(B254)	BR/6 : Rear sunshade cancel relay
D3	(B256)	— : Body ground
C2	(B259)	W/4 : Fuel lid opener actuator
C3	(B261)	W/12 : To (B61)
C4	(B262)	BR/8 : To (B62)
B4	(B263)	W/10 : To (B63)
B3	(B264)	W/16 : To (B64)
B3	(B265)	W/2 : To (B65) (With ICC)
B3	(B266)	W/3 : To (B66)
E2	(B280)	W/4 : To (B80) (With climate controlled seat)
B3	(B307)	W/3 : Trunk lid key cylinder switch (Unlock switch)
A2	(B308)	BR/2 : License lamp RH
A3	(B309)	W/2 : Trunk lid close switch
A2	(B310)	BR/2 : License lamp LH
A3	(B311)	B/2 : Trunk lid opener actuator
A3	(B312)	W/2 : Trunk lid lock switch
A2	(B314)	W/4 : Rear view camera
B3	(B315)	GY/2 : Tail lamp RH
A3	(B316)	GY/2 : Tail lamp LH
E3	(B317)	W/2 : Pre-crash seat belt motor RH
C4	(B318)	W/26 : Pre-crash seat belt control unit
E3	(B322)	— : Body ground
D3	(B323)	— : Body ground
D3	(B324)	BR/6 : Climate controlled seat relay

Body No. 2 sub-harness-1

D4	(B401)	SB/8 : To (B251)
C4	(B402)	B/2 : EVAP canister vent control valve
E3	(B403)	BR/3 : EVAP control system pressure sensor
E4	(B404)	G/2 : Vacuum cut valve bypass valve

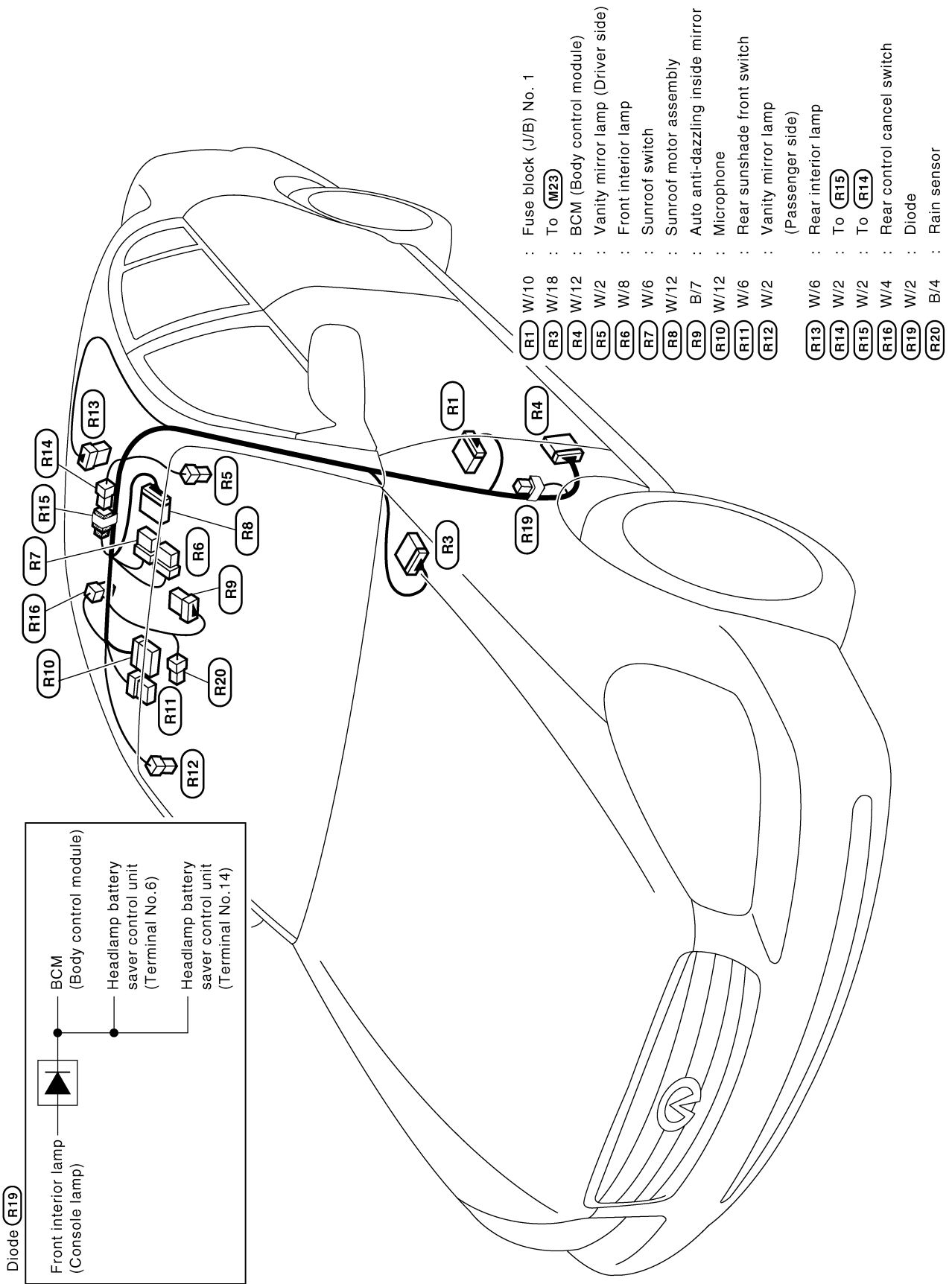
Body No. 2 sub-harness-2

D1	(B421)	B/1 : Rear window defogger (—)
D1	(B422)	— : Body ground

★ : Be sure to connect and lock the connectors securely after repair work.
 Failure to do so may cause the ECM to have diagnostic trouble codes.
Do not disconnect these connectors except in the case of working according to WORK FLOW of TROUBLE DIAGNOSES in EC and AT sections.

HARNESS

ROOM LAMP HARNESS



A
B
C
D
E
F
G
H
I
J
PG
L
M

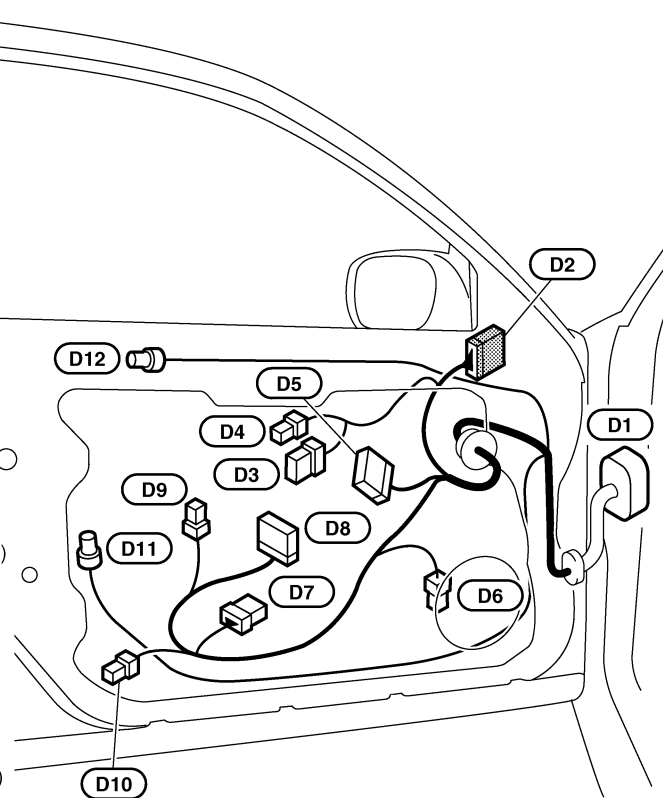
TKIM0228E

HARNESS

FRONT DOOR HARNESS

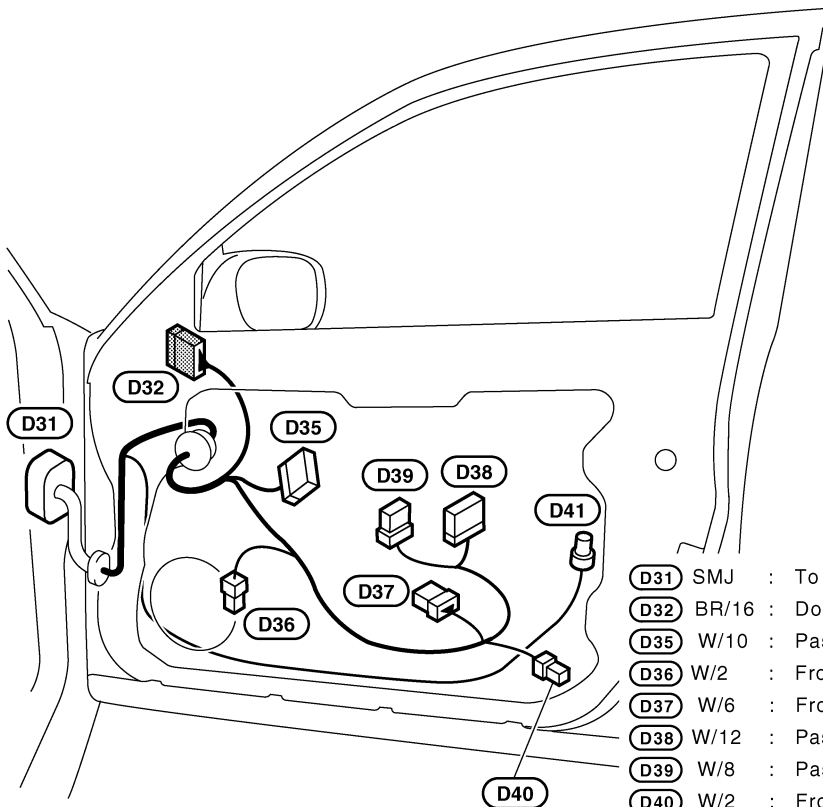
LH Side

- (D1) SMJ : To (M11)
- (D2) BR/16 : Door mirror (Driver side)
- (D3) W/8 : Seat memory switch
- (D4) GY/2 : Power window main switch illumination
- (D5) W/10 : Driver side door mirror control unit (LCU03)
- (D6) W/2 : Front door speaker LH
- (D7) W/6 : Front power window motor (Driver side)
- (D8) W/18 : Driver door control unit (LCU01)
- (D9) W/3 : Trunk lid and fuel lid opener switch
- (D10) W/2 : Front step lamp (Driver side)
- (D11) SB/4 : Front door lock actuator (Driver side)
- (D12) BR/3 : Front door key cylinder switch (Driver side)



TKIM0229E

RH Side



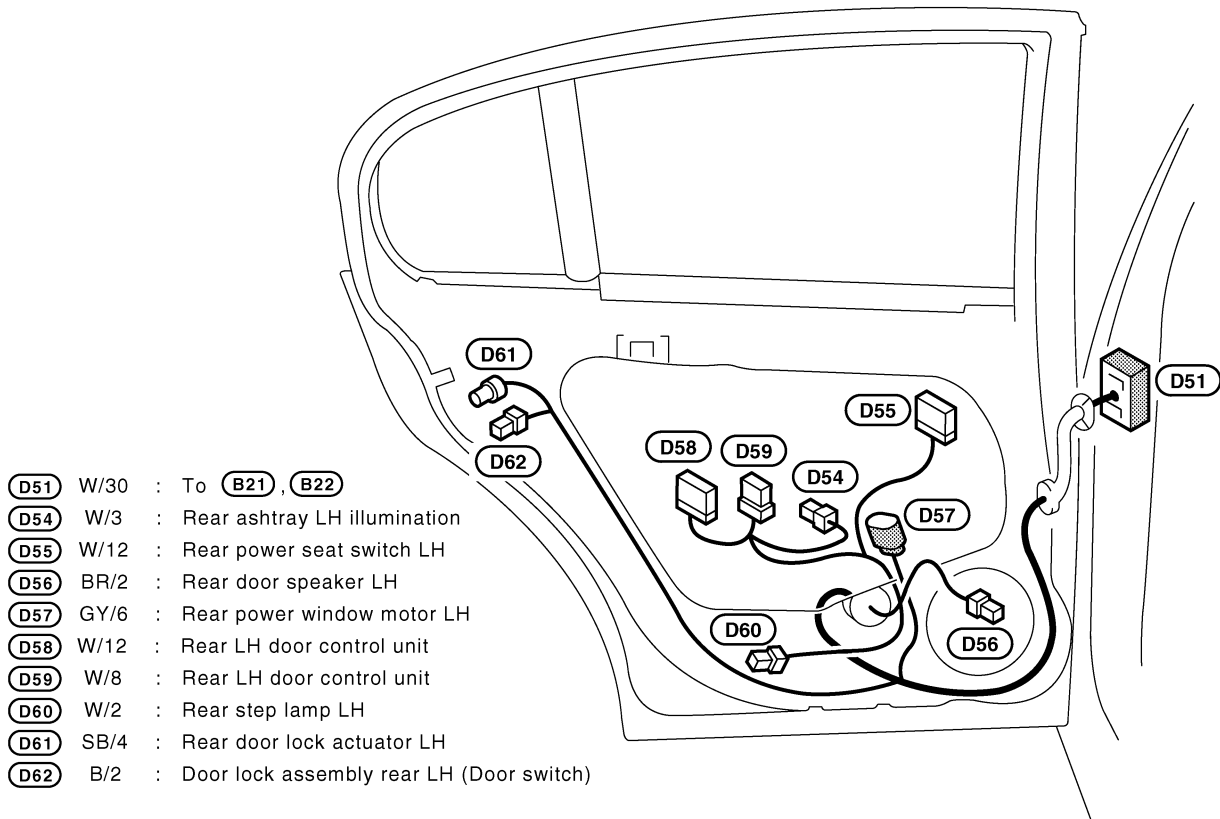
- (D31) SMJ : To (M142)
- (D32) BR/16 : Door mirror (Passenger side)
- (D35) W/10 : Passenger side door mirror control unit (LCU04)
- (D36) W/2 : Front door speaker RH
- (D37) W/6 : Front power window motor (Passenger side)
- (D38) W/12 : Passenger door control unit
- (D39) W/8 : Passenger door control unit
- (D40) W/2 : Front step lamp (Passenger side)
- (D41) SB/4 : Front door lock actuator (Passenger side)

TKIM0138E

HARNESS

REAR DOOR HARNESS

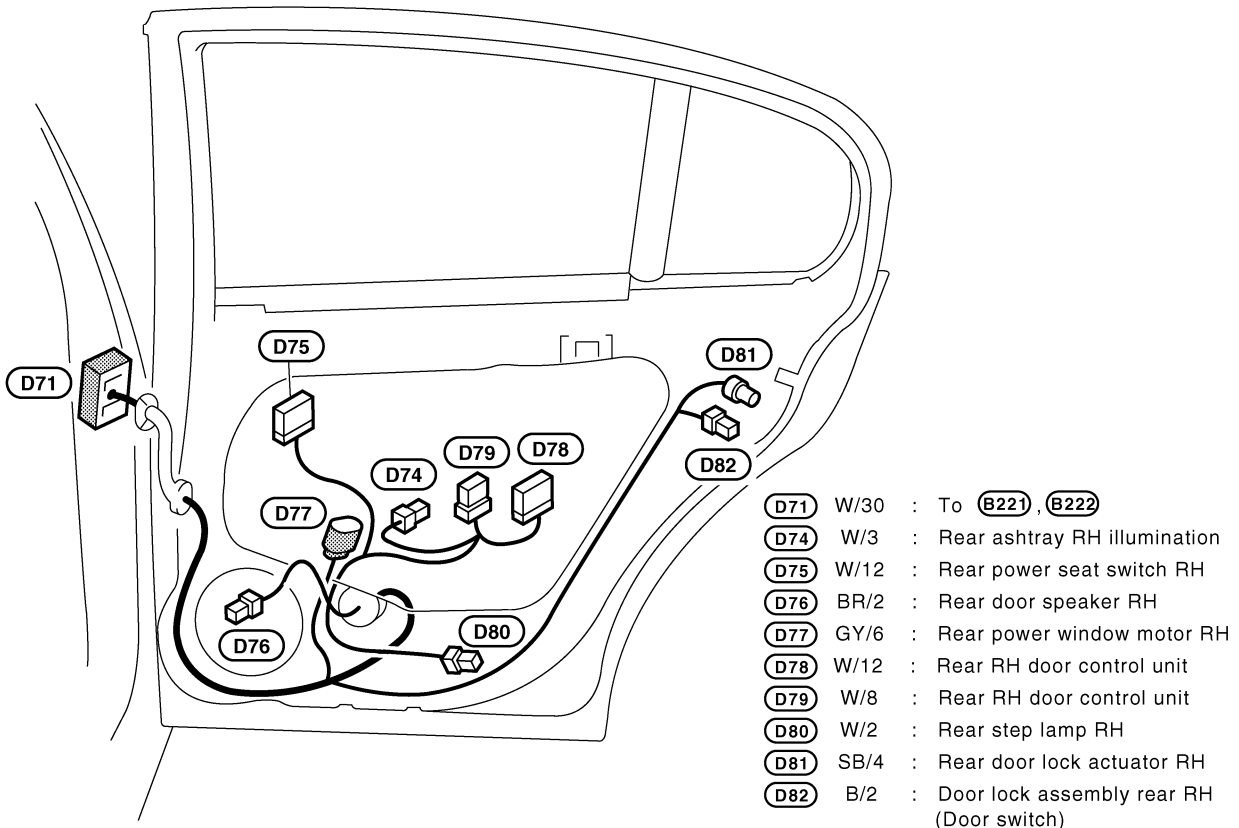
LH Side



- D51** W/30 : To **B21**, **B22**
- D54** W/3 : Rear ashtray LH illumination
- D55** W/12 : Rear power seat switch LH
- D56** BR/2 : Rear door speaker LH
- D57** GY/6 : Rear power window motor LH
- D58** W/12 : Rear LH door control unit
- D59** W/8 : Rear LH door control unit
- D60** W/2 : Rear step lamp LH
- D61** SB/4 : Rear door lock actuator LH
- D62** B/2 : Door lock assembly rear LH (Door switch)

TKIM0139E

RH Side



- D71** W/30 : To **B221**, **B222**
- D74** W/3 : Rear ashtray RH illumination
- D75** W/12 : Rear power seat switch RH
- D76** BR/2 : Rear door speaker RH
- D77** GY/6 : Rear power window motor RH
- D78** W/12 : Rear RH door control unit
- D79** W/8 : Rear RH door control unit
- D80** W/2 : Rear step lamp RH
- D81** SB/4 : Rear door lock actuator RH
- D82** B/2 : Door lock assembly rear RH (Door switch)

TKIM0140E

A
B
C
D
E
F
G
H
I
J
PG
L
M

HARNESS

Wiring Diagram Codes (Cell Codes)

EKS00118

Use the chart below to find out what each wiring diagram code stands for.

Refer to the wiring diagram code in the alphabetical index to find the location (page number) of each wiring diagram.

Code	Section	Wiring Diagram Name
A/C	ATC	Air Conditioner
A/TRNK	BL	Auto Trunk System
ACTIVE	SCS	Active Damper Suspension System
APPS1	EC	Accelerator Pedal Position Sensor
APPS2	EC	Accelerator Pedal Position Sensor
APPS3	EC	Accelerator Pedal Position Sensor
ASC/BS	EC	Automatic Speed Control Device (ASCD) Brake Switch
ASC/SW	EC	Automatic Speed Control Device (ASCD) Steering Switch
ASCBOF	EC	Automatic Speed Control Device (ASCD) Brake Switch
ASCIND	EC	Automatic Speed Control Device (ASCD) Indicator
AT/IND	DI	A/T Indicator Lamp
AUDIO	AV	Audio
AUT/DP	SE	Automatic Drive Positioner - IVMS
BACK/L	LT	Back-Up Lamp
BRK/SW	EC	Brake Switch
BYPS/V	EC	Vacuum Cut Valve Bypass Valve
C/SEAT	SE	Climate Controlled Seat
CAN	AT	CAN Communication Line
CAN	EC	CAN Communication Line
CAN	LAN	CAN System
CD/CHG	AV	CD Auto Changer
CHARGE	SC	Charging System
CHIME	DI	Warning Chime
CIGAR	WW	Cigarette Lighter
CLOCK	DI	Clock
COMM	AV	Audio Visual Communication Line
COMM	DI	Communication Line
COMM	LAN	IVMS - Communication Check, Power Supply & Ground
COMPAS	DI	Compass
COOL/F	EC	Cooling Fan Control
D/LOCK	BL	Power Door Lock - IVMS
DEF	GW	Rear Window Defogger
DTRL	LT	Headlamp - With Daytime Light System
ECM/PW	EC	ECM Power Supply for Back-Up
ECTS	EC	Engine Coolant Temperature Sensor
ETC1	EC	Electric Throttle Control Function
ETC2	EC	Electric Throttle Control Motor Relay
ETC3	EC	Electric Throttle Control Motor
F/FOG	LT	Front Fog Lamp
F/PUMP	EC	Fuel Pump
FPCM	EC	Fuel Pump Control Module

HARNESS

Code	Section	Wiring Diagram Name
FTS	AT	A/T Fluid Temperature Sensor Circuit
FTTS	EC	Fuel Tank Temperature Sensor
FUELB1	EC	Fuel Injection System Function (Bank 1)
FUELB2	EC	Fuel Injection System Function (Bank 2)
H/AIM	LT	Headlamp Aiming Control System
H/LAMP	LT	Headlamp
HORN	WW	Horn
HSEAT	SE	Heated Seat
I/MIRR	GW	Inside Mirror (Auto-Anti Dazzling Mirror)
IATS	EC	Intake Air Temperature Sensor
ICC	ACS	Intelligent Cruise Control System
ICC/BS	EC	ICC Brake Switch
ICC/SW	EC	ICC Steering Switch
ICCBOS	EC	ICC Brake Switch
IGNSYS	EC	Ignition System
ILL	LT	Illumination
INF/D	DI	Vehicle Information and Integrated Switch System
INJECT	EC	Injector
INT/L	LT	Vanity Mirror and Trunk Room Lamps
IVCB1	EC	Intake Valve Timing Control Solenoid Valve Bank 1
IVCB2	EC	Intake Valve Timing Control Solenoid Valve Bank 2
IVCSB1	EC	Intake Valve Timing Control Position Sensor Bank 1
IVCSB2	EC	Intake Valve Timing Control Position Sensor Bank 2
IVTB1	EC	Intake Valve Timing Control System (Bank 1)
IVTB2	EC	Intake Valve Timing Control System (Bank 2)
KEYLES	BL	Remote Keyless Entry System-IVMS
KS	EC	Knock Sensor
LOAD	EC	Electrical Load Signal
MAFS	EC	Mass Air Flow Sensor
MAIN	AT	Transmission Control Module Power Supply
MAIN	EC	Main Power Supply and Ground Circuit
METER	DI	Speedometer, Tachometer, Temp., Oil and Fuel Gauges
MIL/DL	EC	MIL & Data Link Connector
MIRR/L	LT	Door Mirror Lamp
MIRROR	GW	Door Mirror
MMSW	AT	Manual Mode Switch
NATS	BL	Nissan Anti-Theft System
NAVI	AV	Navigation System
NONDTC	AT	Non-Detective Items
O2H1B1	EC	Heated Oxygen Sensor 1 Heater Bank 1
O2H1B2	EC	Heated Oxygen Sensor 1 Heater Bank 2
O2H2B1	EC	Heated Oxygen Sensor 2 Heater Bank 1
O2H2B2	EC	Heated Oxygen Sensor 2 Heater Bank 2
O2S1B1	EC	Heated Oxygen Sensor 1 Bank 1

HARNESS

Code	Section	Wiring Diagram Name
O2S1B2	EC	Heated Oxygen Sensor 1 Bank 2
O2S2B1	EC	Heated Oxygen Sensor 2 Bank 1
O2S2B2	EC	Heated Oxygen Sensor 2 Bank 2
P/SCKT	WW	Power Socket
PGC/V	EC	EVAP Canister Purge Volume Control Solenoid Valve
PHASE	EC	Camshaft Position Sensor (PHASE)
PHONE	AV	Telephone
PNP/SW	AT	Park/Neutral Position Switch
PNP/SW	EC	Park/Neutral Position Switch
POS	EC	Crankshaft Position Sensor (CKPS) (POS)
POWER	PG	Power Supply Routing
PRE/SE	EC	EVAP Control System Pressure Sensor
PS/SEN	EC	Power Steering Pressure Sensor
PSB	SB	Pre-Crash Seat Belt
R/VIEW	DI	Rear View Camera Control System
REMOTE	AV	Audio (Remote Control Switch)
ROOM/L	LT	Interior Room Lamp - IVMS
RP/SEN	EC	Refrigerant Pressure Sensor
SEAT	SE	Power Seat
SEN/PW	EC	Sensor Power Supply
SHADE	EI	Rear Sunshade
SHIFT	AT	A/T Shift Lock System
SROOF	RF	Sunroof
SRS	SRS	Supplemental Restraint System
START	SC	Starting System
STEP/L	LT	Step Lamp - IVMS
STOP/L	LT	Stop Lamp
STSIG	AT	Start Signal Circuit
SW/ILL	GW	Power Window Switch Illumination - IVMS
T&FLID	BL	Trunk Lid and Fuel Lid Opener
T/CLOS	BL	Trunk Closure System
T/WARN	WT	Low Tire Pressure Warning System
TAIL/L	LT	Parking, License and Tail Lamps
TPS1	EC	Throttle Position Sensor (Sensor1)
TPS2	EC	Throttle Position Sensor (Sensor2)
TPS3	EC	Throttle Position Sensor
TRNSCV	BL	Homelink Universal Transceiver
TURN	LT	Turn Signal and Hazard Warning Lamps
VDC	BRC	Vehicle Dynamics Control System
VEHSEC	BL	Vehicle Security System - IVMS
VENT/V	EC	EVAP Canister Vent Control Valve
VEXH	EX	Variable Exhaust Muffler Control System
VIAS	EC	Variable Induction Air Control System
VIAS/V	EC	VIAS Control Solenoid Valve

HARNESSES

Code	Section	Wiring Diagram Name
VOICE	DI	Voice Activation System
VSSA/T	AT	Vehicle Speed Sensor A/T (Revolution Sensor)
W/ANT	AV	Audio Antenna
WARN	DI	Warning Lamps
WINDOW	GW	Power Window - IVMS
WIPER	WW	Front Wiper and Washer

A

B

C

D

E

F

G

H

I

J

PG

L

M

ELECTRICAL UNITS LOCATION

ELECTRICAL UNITS LOCATION

PFP:25230

Electrical Units Location

EKS003SA

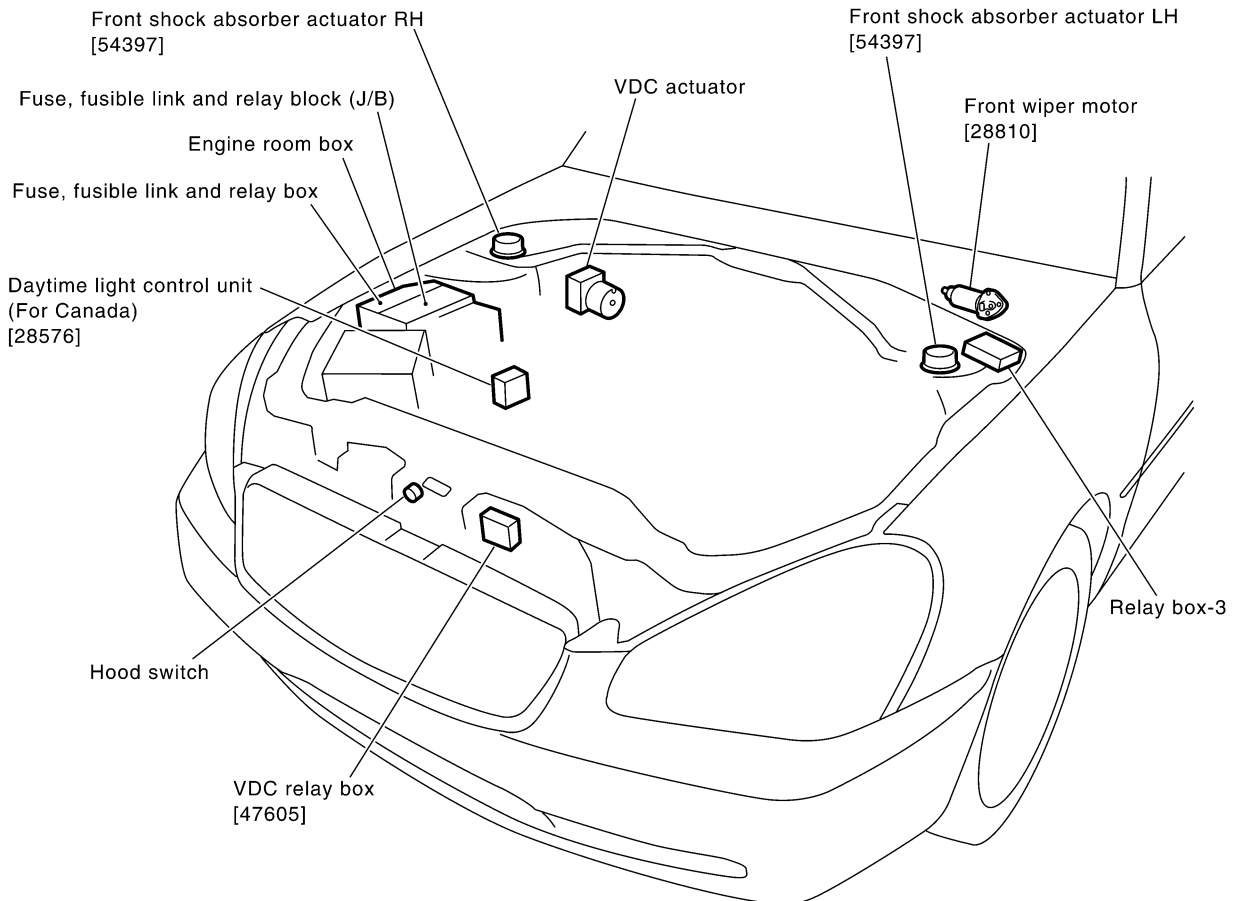
Use parts code, if applicable, and chassis number to find correct parts number in parts catalog. Parts codes are shown in figure.

NOTICE:

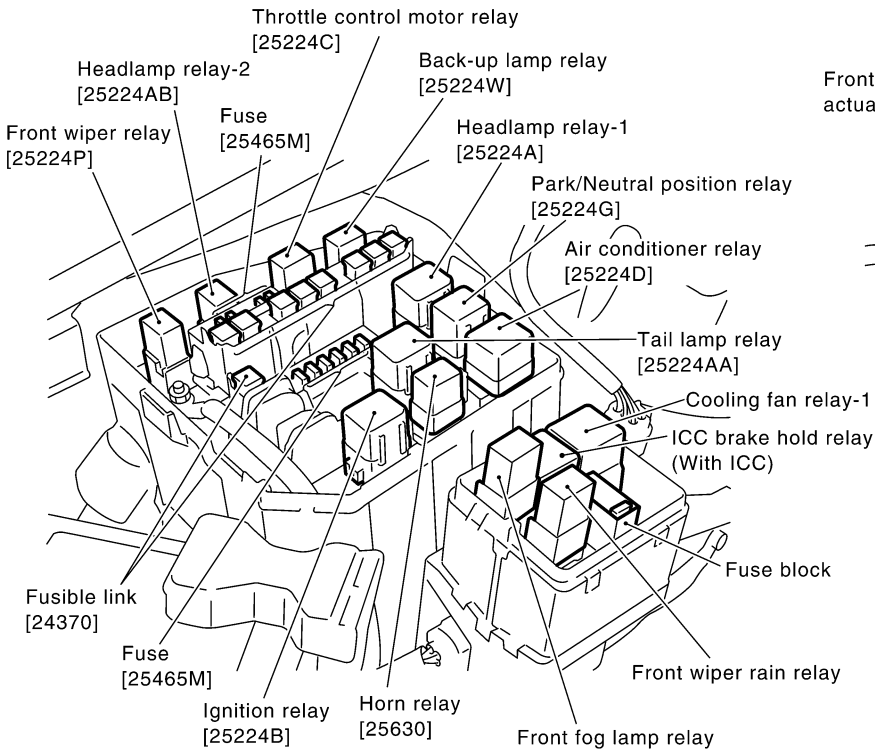
Parts codes in figure are those in effect at the time of the first service manual edition. Information might not be maintained in the timely manner. Always confirm correct parts code using appropriate parts catalog.

ELECTRICAL UNITS LOCATION

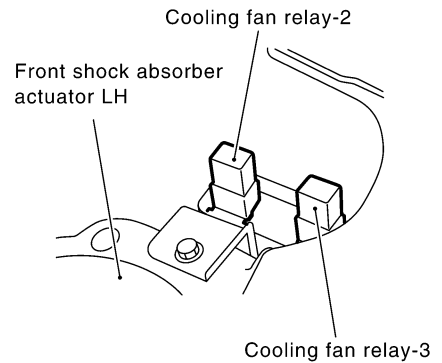
ENGINE COMPARTMENT



ENGINE ROOM BOX



RELAY BOX-3

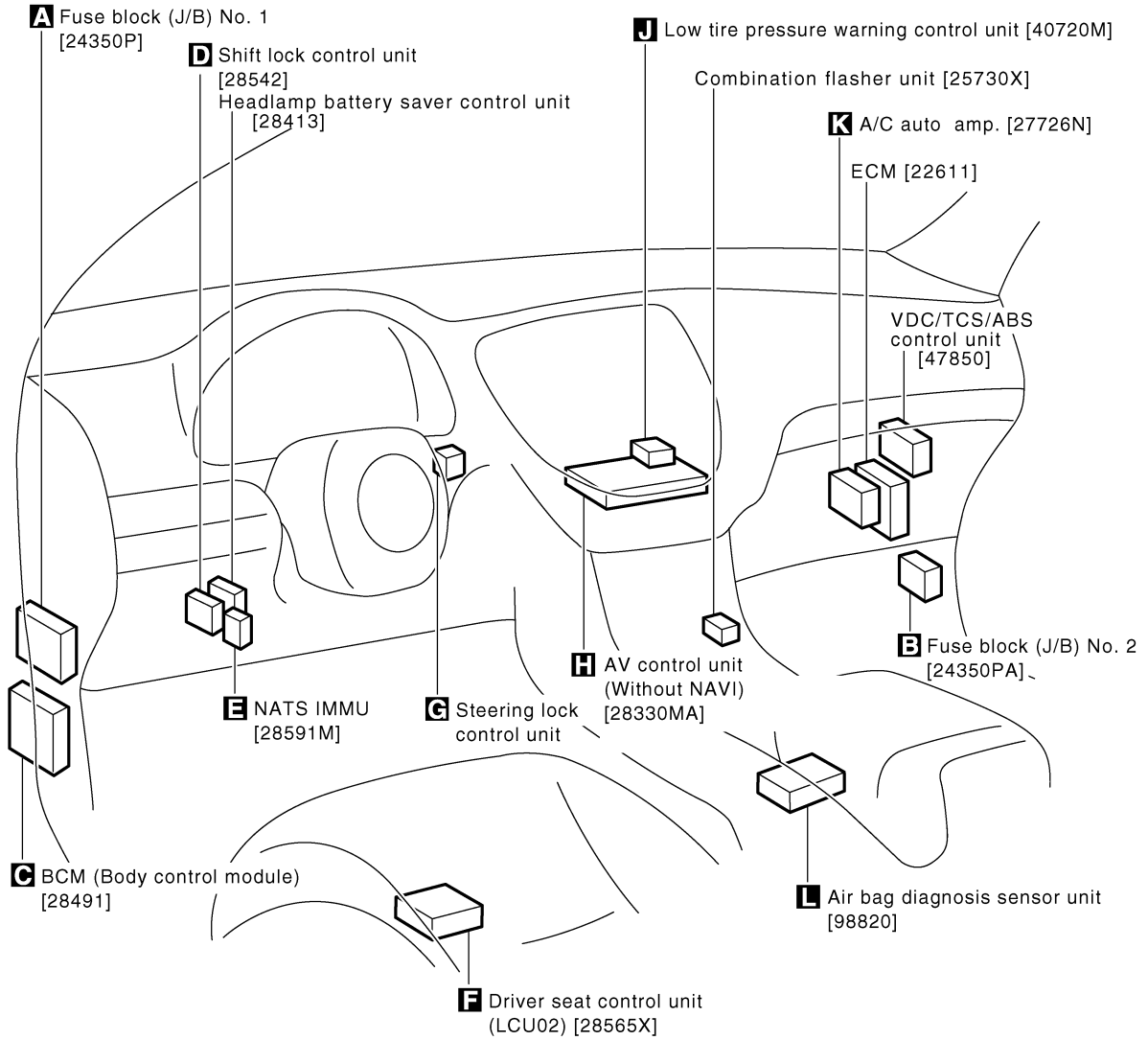


A
B
C
D
E
F
G
H
I
J
PG
L
M

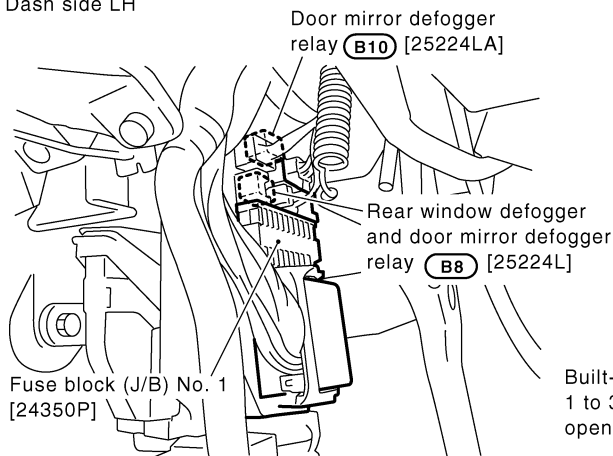
CKIM0337E

ELECTRICAL UNITS LOCATION

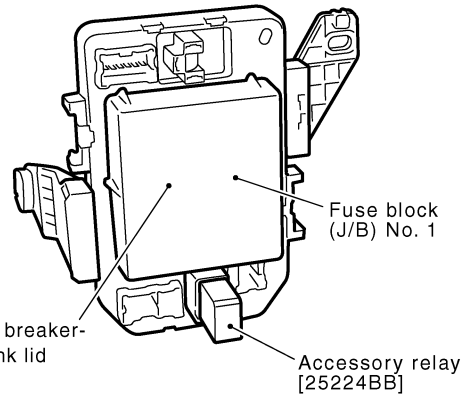
PASSENGER COMPARTMENT



A Dash side LH

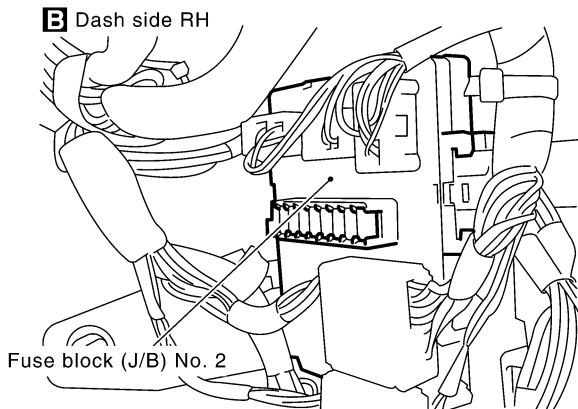


In back of the fuse block (J/B) No. 1

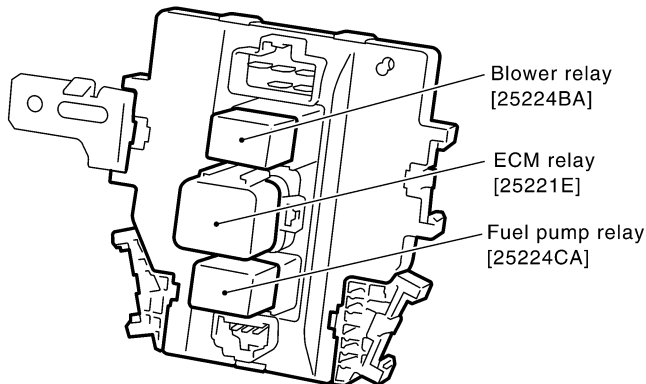


CKIM0338E

ELECTRICAL UNITS LOCATION

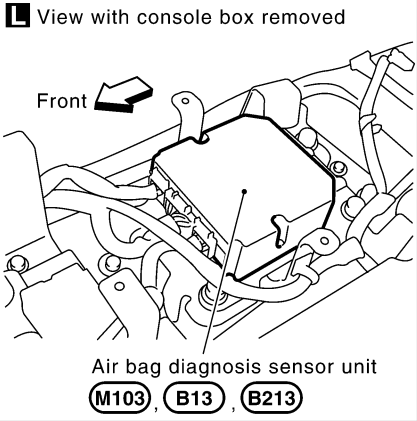
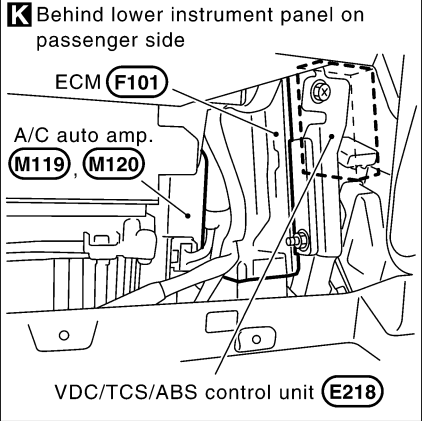
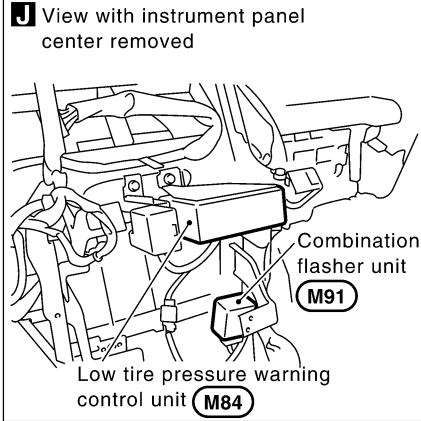
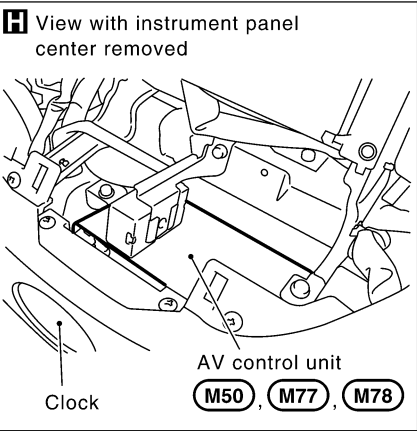
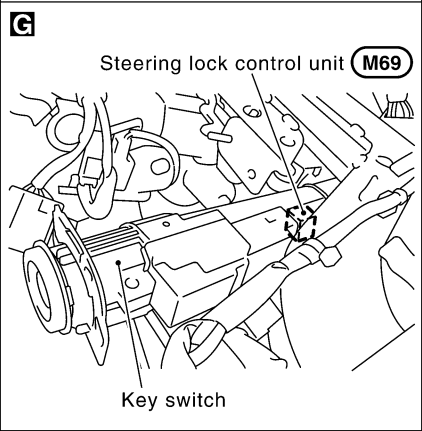
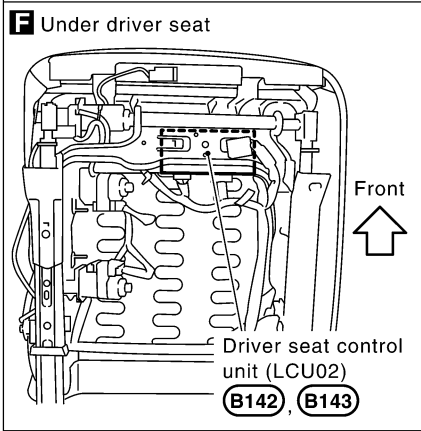
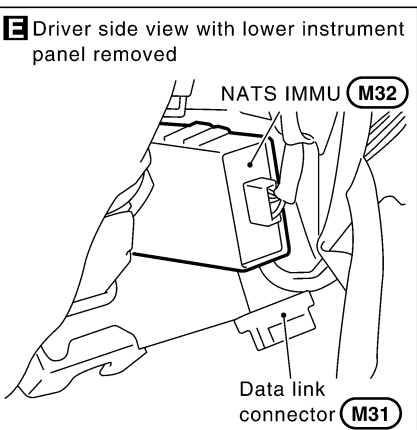
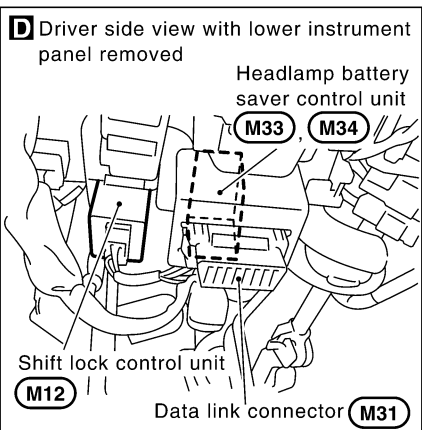
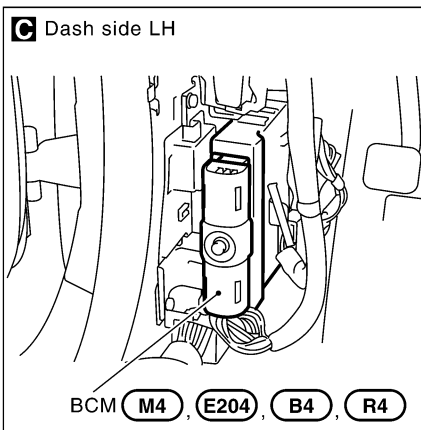


In back of the fuse block (J/B) No. 2



A
B
C
D
E
F
G
H
I
J
K
L
M

PG



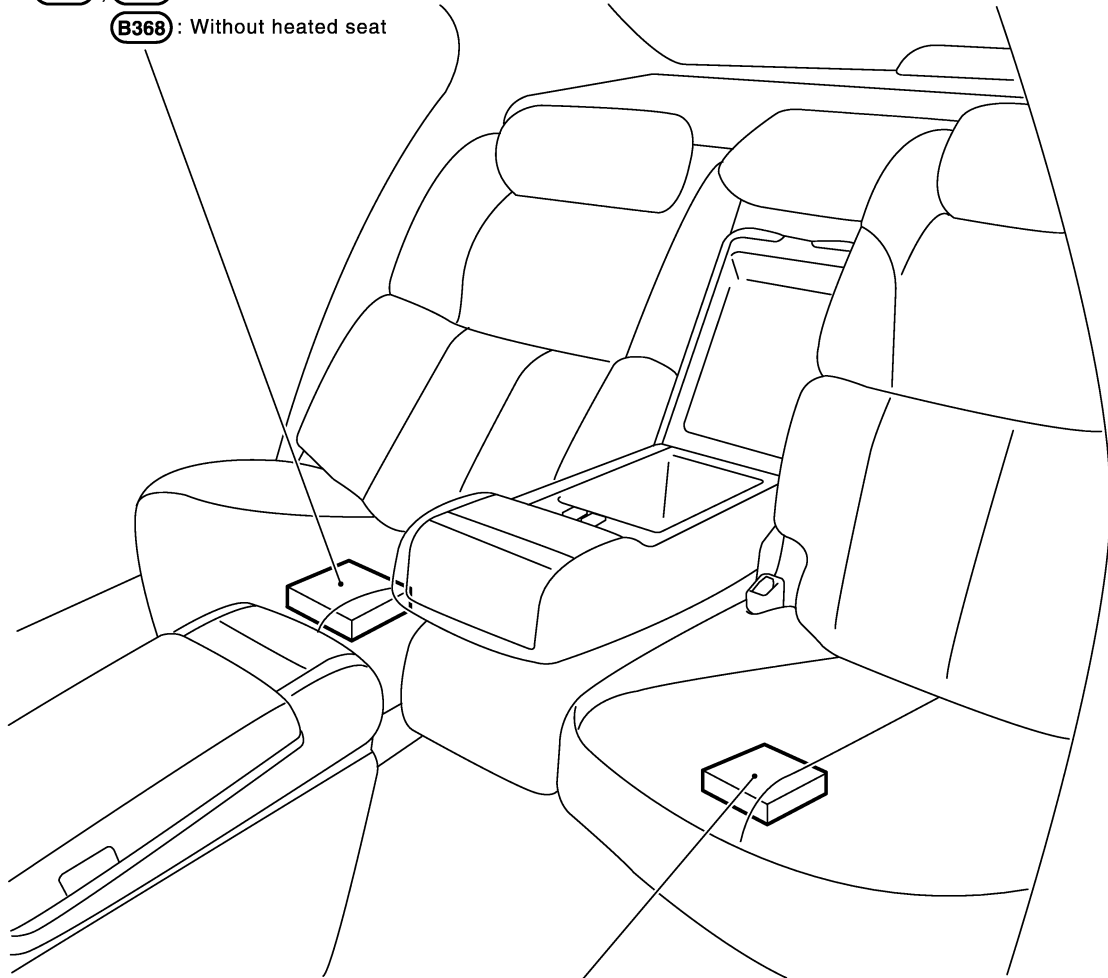
CKIM0339E

ELECTRICAL UNITS LOCATION

Rear power seat control unit RH [28565]

B362, **B363** : With heated seat

B368 : Without heated seat



Rear power seat control unit LH [28565X]

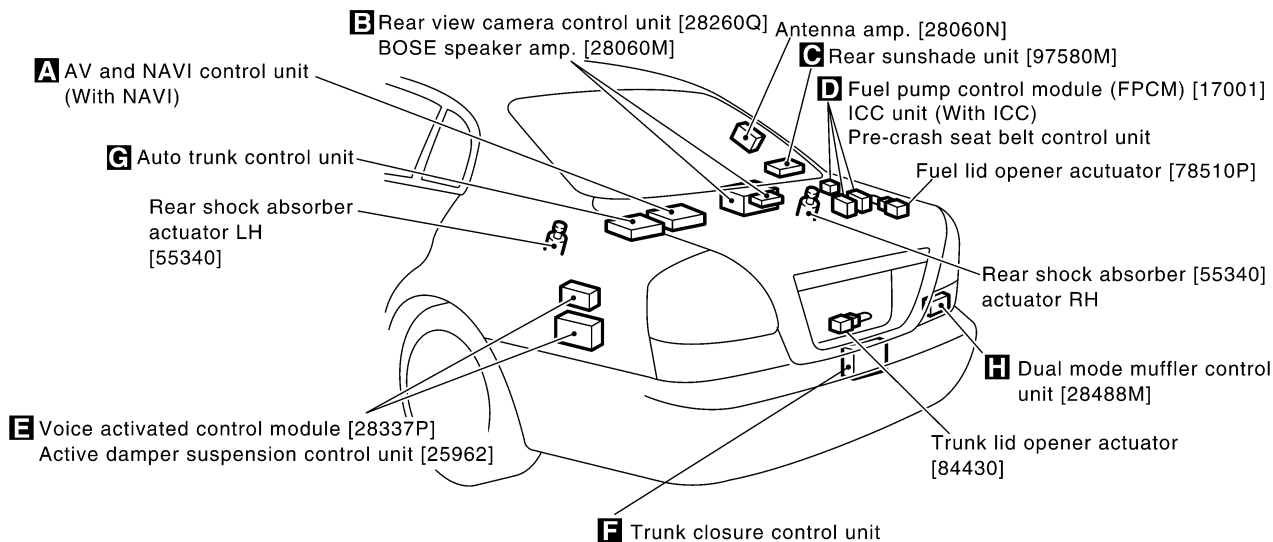
B162, **B163** : With heated seat

B168 : Without heated seat

CKIM0028E

ELECTRICAL UNITS LOCATION

LUGGAGE COMPARTMENT



<p>A Lower side of rear parcel shelf finisher</p> <p>AV and NAVI control unit (B29), (B30)</p>	<p>B Lower side of rear parcel shelf finisher</p> <p>Rear view camera control unit (B236)</p> <p>BOSE speaker amp. (B231), (B232), (B233), (B234)</p>	<p>C Rear parcel shelf RH side</p> <p>Rear sunshade unit (B225)</p>
<p>D RH side trunk room</p> <p>Fuel pump control module (FPCM) (B240)</p> <p>ICC unit (B243), (B244)</p> <p>Pre-crash seat belt control unit (B318)</p>	<p>E LH side trunk room</p> <p>Voice activated control module (B69), (B71)</p> <p>Active damper suspension control unit (B37), (B38)</p>	<p>F Trunk closure control unit (B56)</p> <p>Striker</p> <p>Trunk closure control unit (B56)</p>
<p>G LH side trunk room</p> <p>Auto trunk control unit (B110), (B111)</p> <p>Auto trunk motor</p>	<p>H Rear RH side trunk room</p> <p>Dual mode muffler control unit (B73)</p>	

CKIM0340E

HARNESS CONNECTOR

PF0:00011

HARNESS CONNECTOR

Description

HARNESS CONNECTOR (TAB-LOCKING TYPE)

EKS000DY

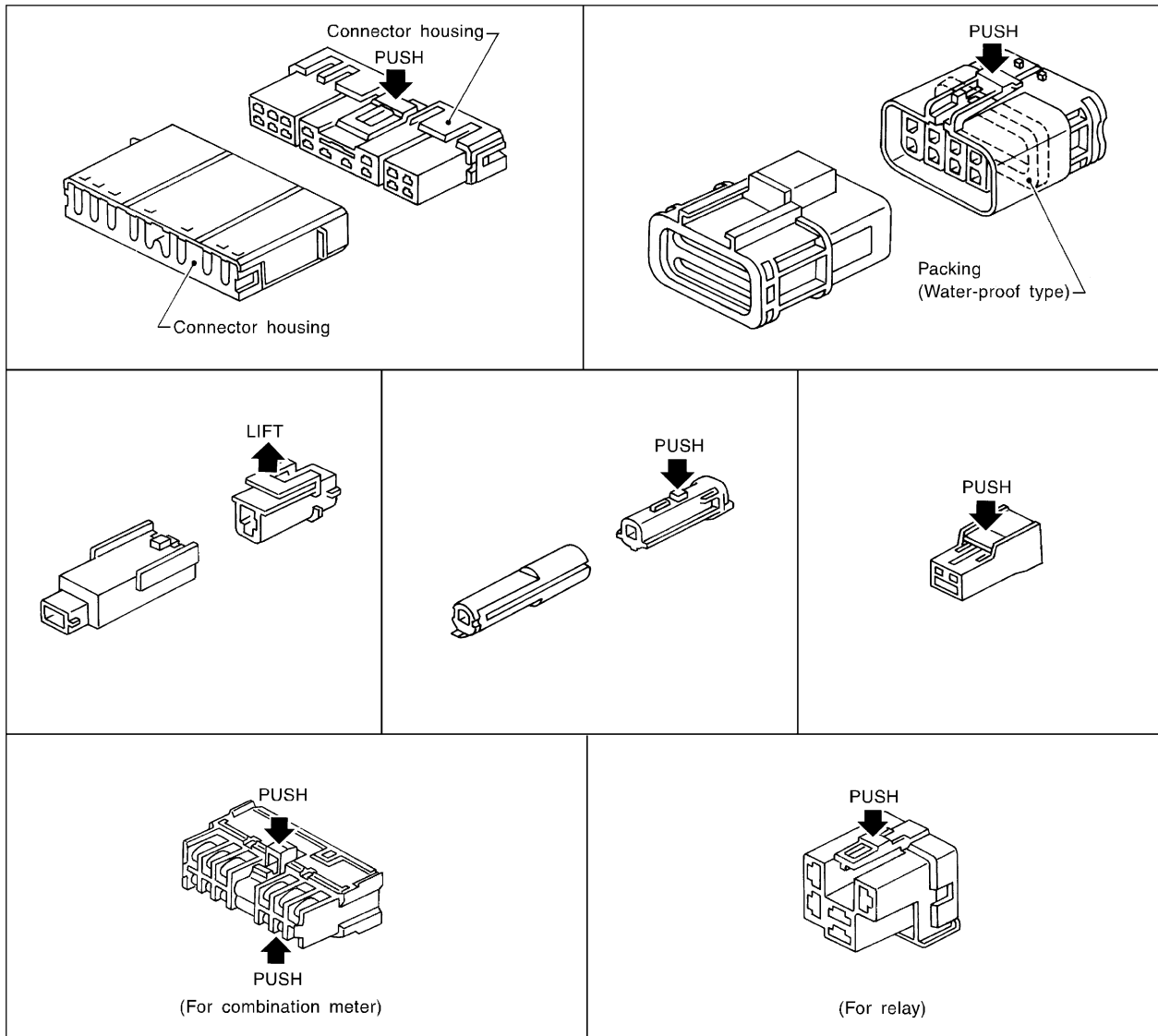
- The tab-locking type connectors help prevent accidental looseness or disconnection.
- The tab-locking type connectors are disconnected by pushing or lifting the locking tab(s). Refer to the figure below.

Refer to the next page for description of the slide-locking type connector.

CAUTION:

Do not pull the harness or wires when disconnecting the connector.

[Example]



SEL769DA

HARNESS CONNECTOR

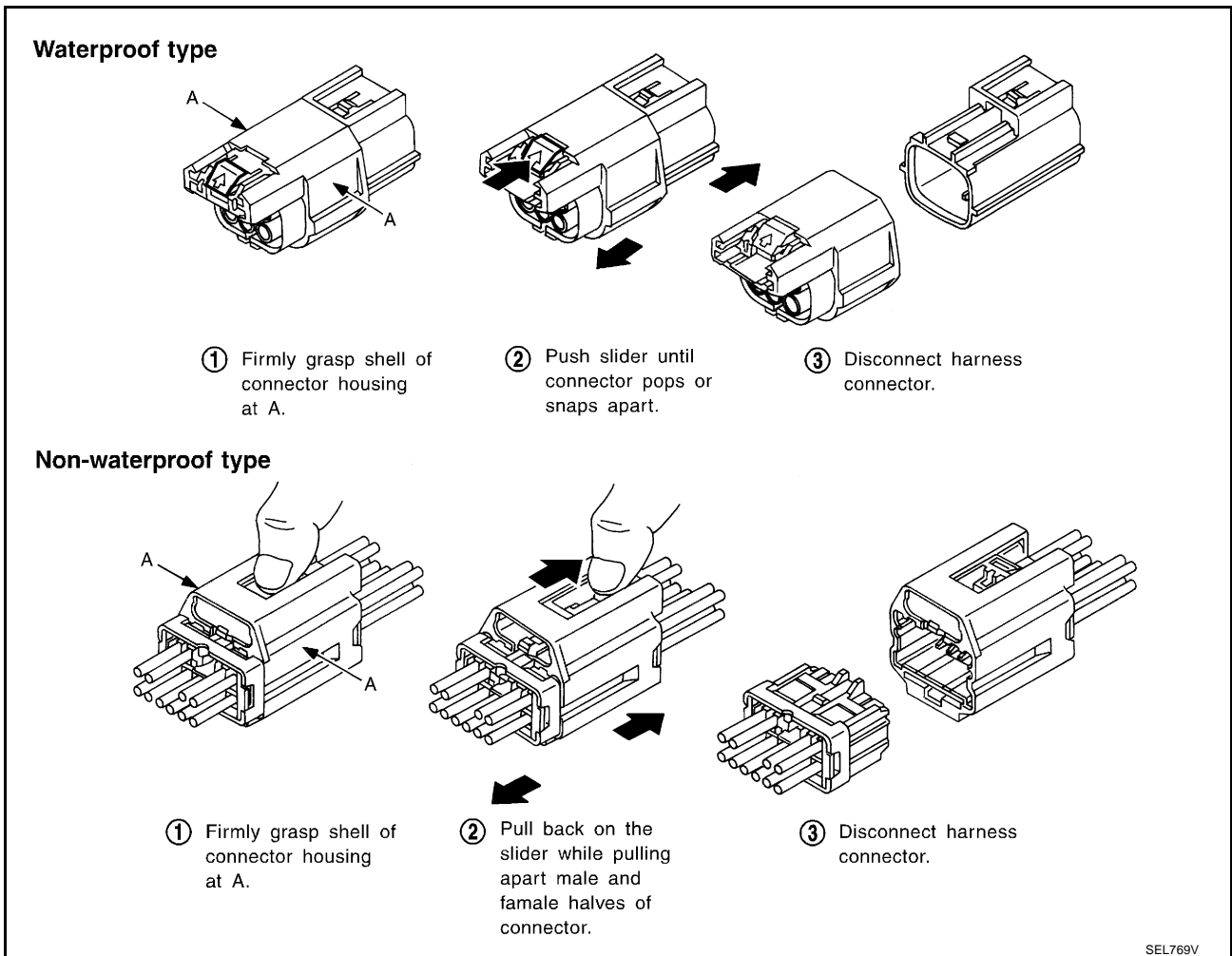
HARNESS CONNECTOR (SLIDE-LOCKING TYPE)

- A new style slide-locking type connector is used on certain systems and components, especially those related to OBD.
- The slide-locking type connectors help prevent incomplete locking and accidental looseness or disconnection.
- The slide-locking type connectors are disconnected by pushing or pulling the slider. Refer to the figure below.

CAUTION:

- Do not pull the harness or wires when disconnecting the connector.
- Be careful not to damage the connector support bracket when disconnecting the connector.

[Example]



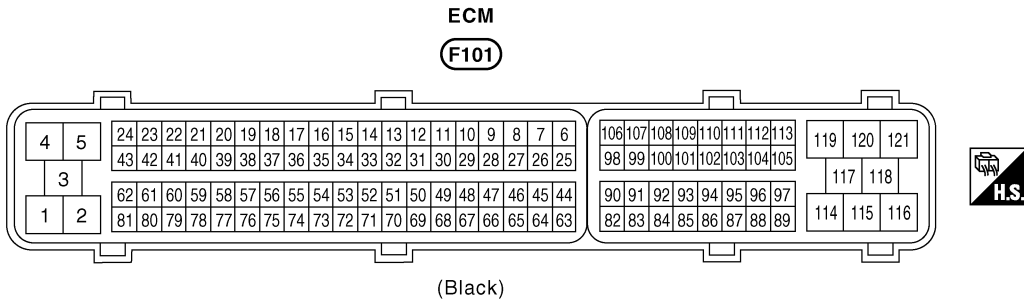
A
B
C
D
E
F
G
H
I
J
PG
L
M

ELECTRICAL UNITS

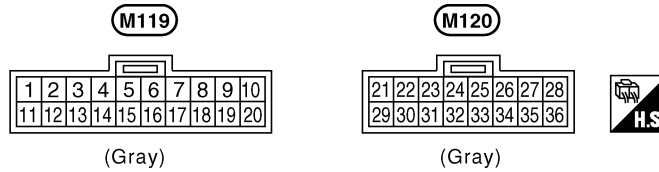
ELECTRICAL UNITS Terminal Arrangement

PFP:23710

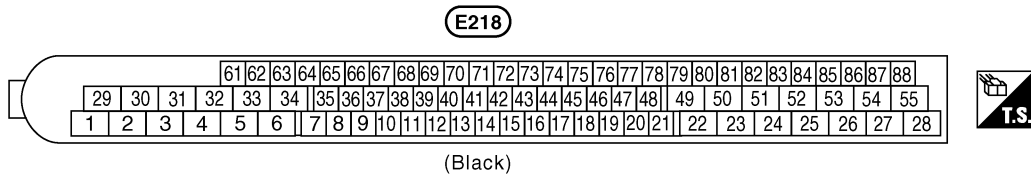
EKS003SE



A/C AUTO AMP.

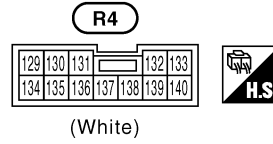
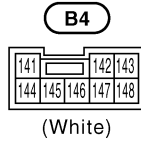
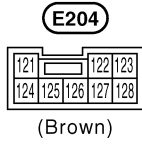
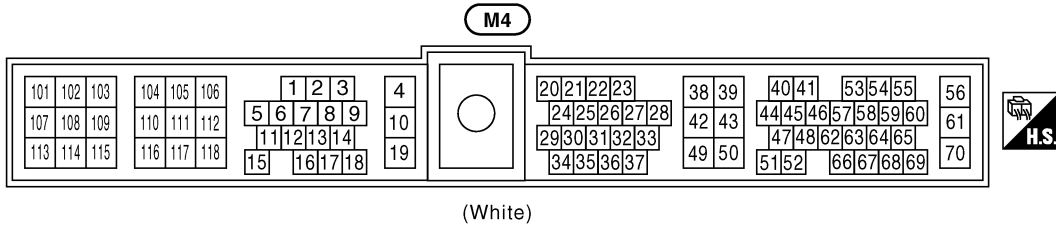


VDC/TCS/ABS CONTROL UNIT

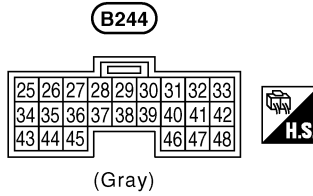
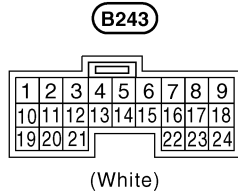


ELECTRICAL UNITS

BCM (BODY CONTROL MODULE)



ICC UNIT



A
B
C
D
E
F
G
H
I
J
PG
L
M

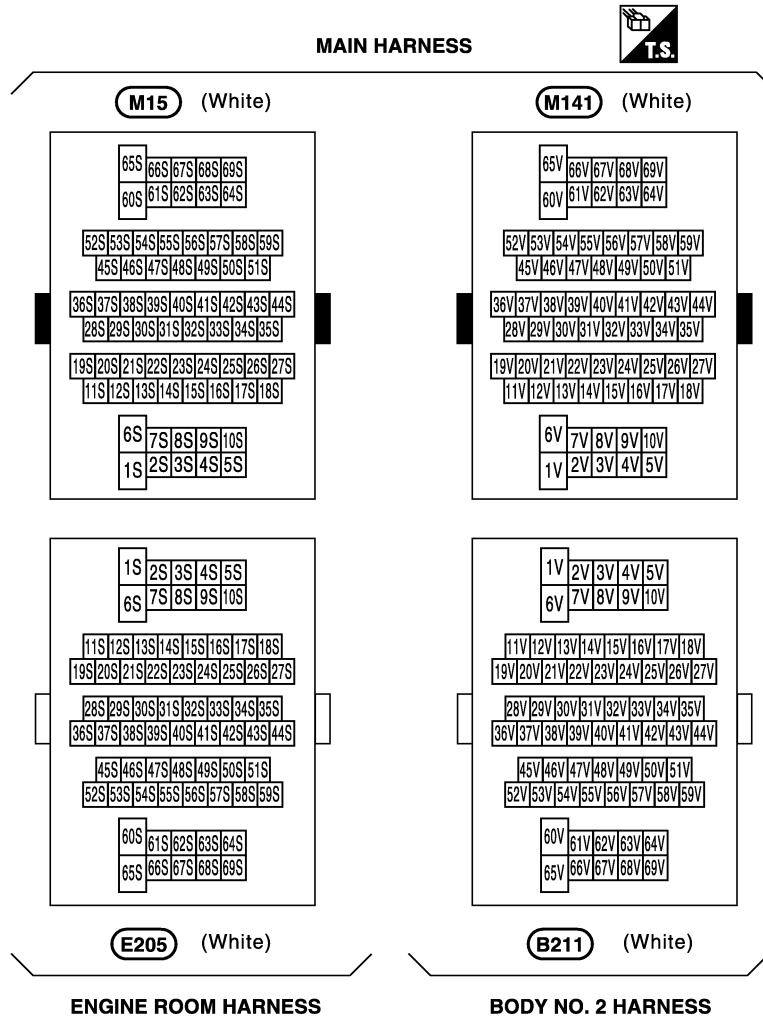
SMJ (SUPER MULTIPLE JUNCTION)

SMJ (SUPER MULTIPLE JUNCTION)

PFP:B4341

Terminal Arrangement

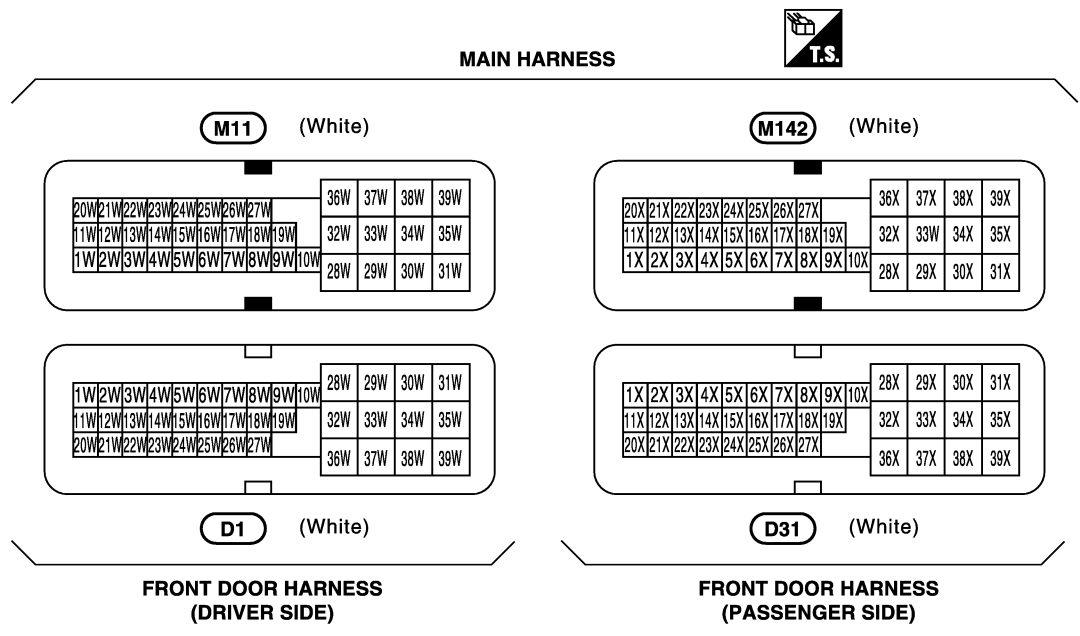
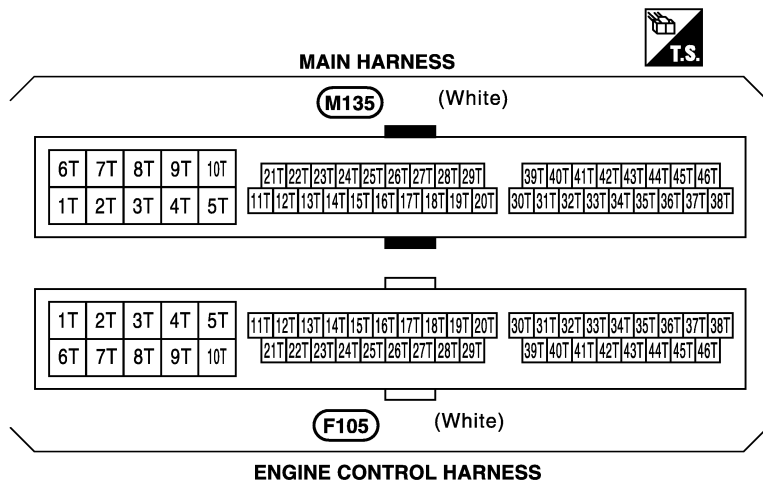
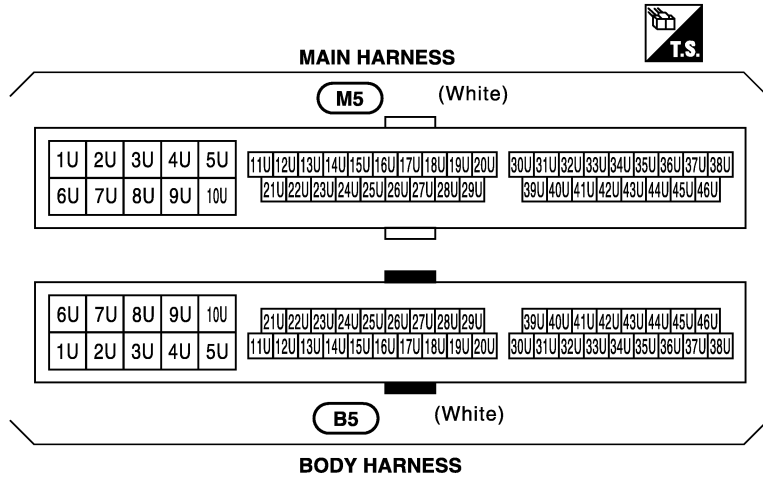
EKS001B2



CKIM0061E

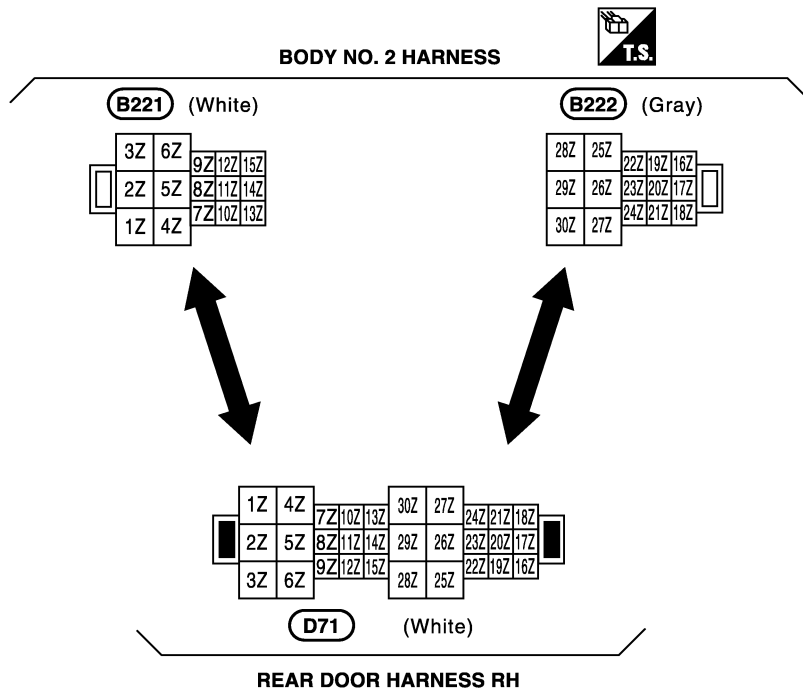
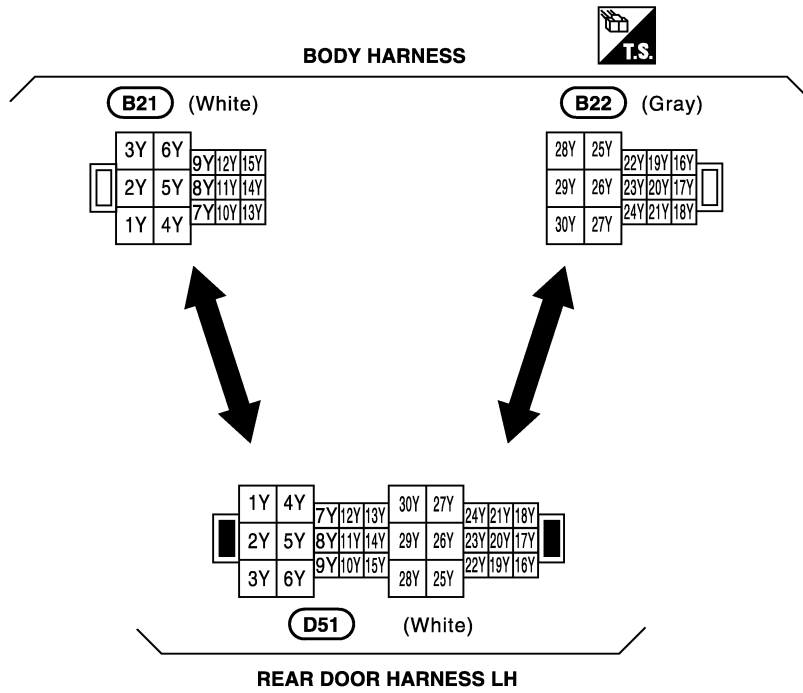
SMJ (SUPER MULTIPLE JUNCTION)

A
B
C
D
E
F
G
H
I
J
PG
L
M



CKIM0062E

SMJ (SUPER MULTIPLE JUNCTION)



CKIM0063E

STANDARDIZED RELAY

PPF:00011

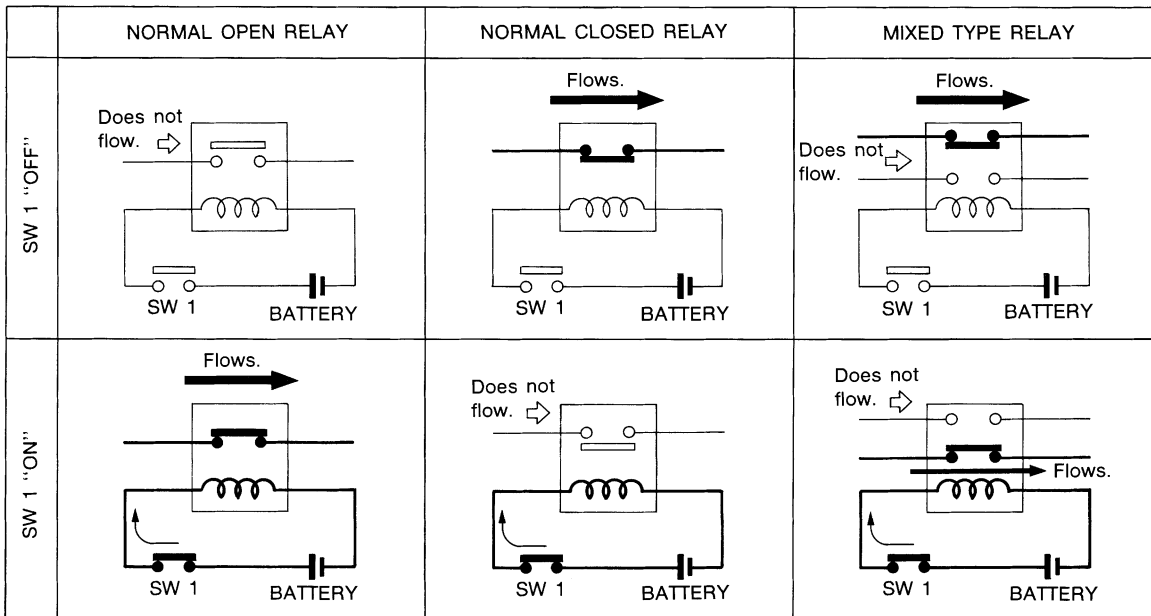
EKS000E4

STANDARDIZED RELAY

Description

NORMAL OPEN, NORMAL CLOSED AND MIXED TYPE RELAYS

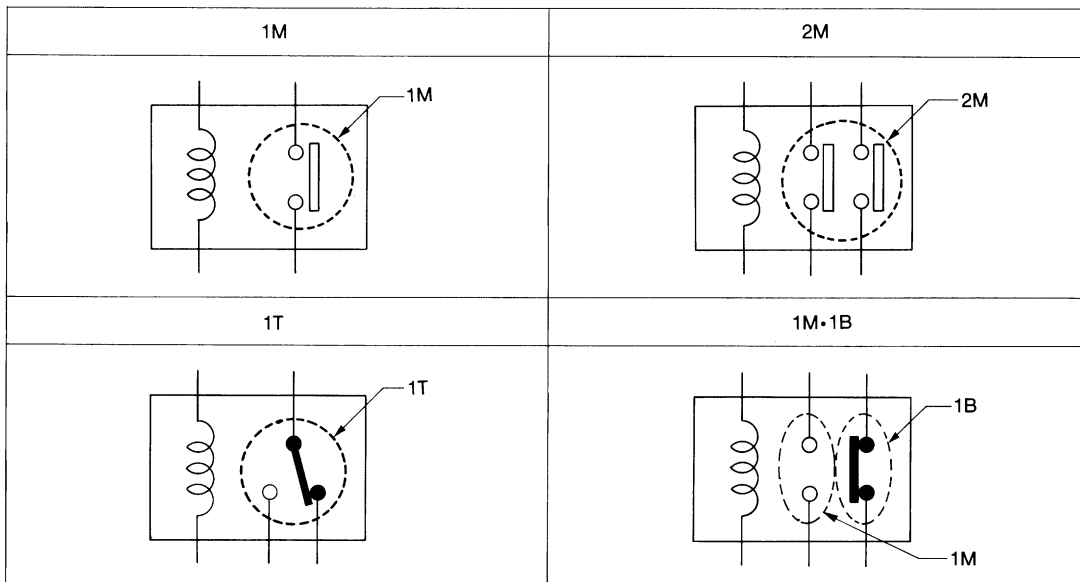
Relays can mainly be divided into three types: normal open, normal closed and mixed type relays.



SEL881H

TYPE OF STANDARDIZED RELAYS

- 1M 1 Make
- 2M 2 Make
- 1T 1 Transfer
- 1M·1B 1 Make 1 Break



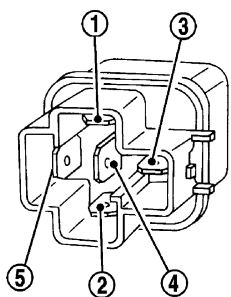
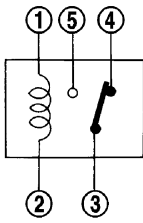
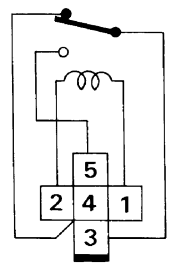
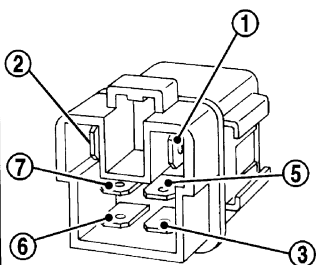
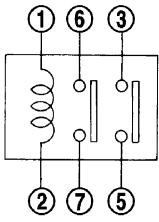
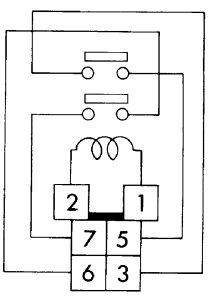
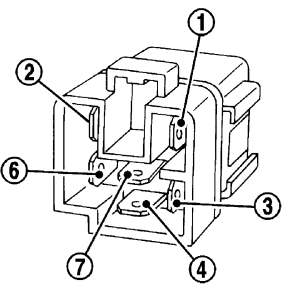
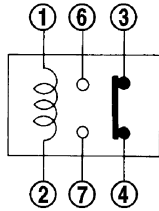
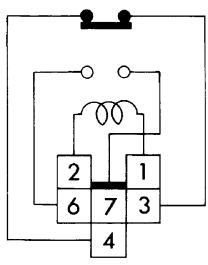
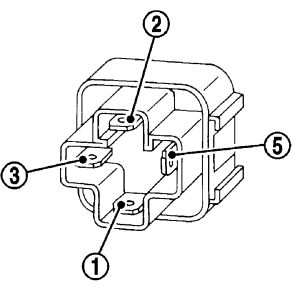
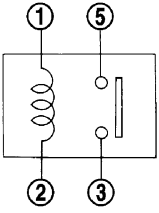
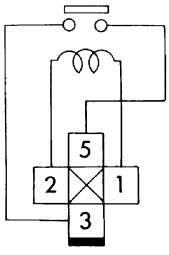
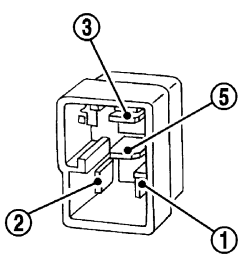
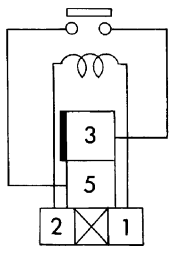
SEL882H

A
B
C
D
E
F
G
H
I
J

PG

L
M

STANDARDIZED RELAY

Type	Outer view	Circuit	Connector symbol and connection	Case color
1T				BLACK
2M				BROWN
1M•1B				GRAY
1M				BLUE
				

The arrangement of terminal numbers on the actual relays may differ from those shown above.

SEL188W

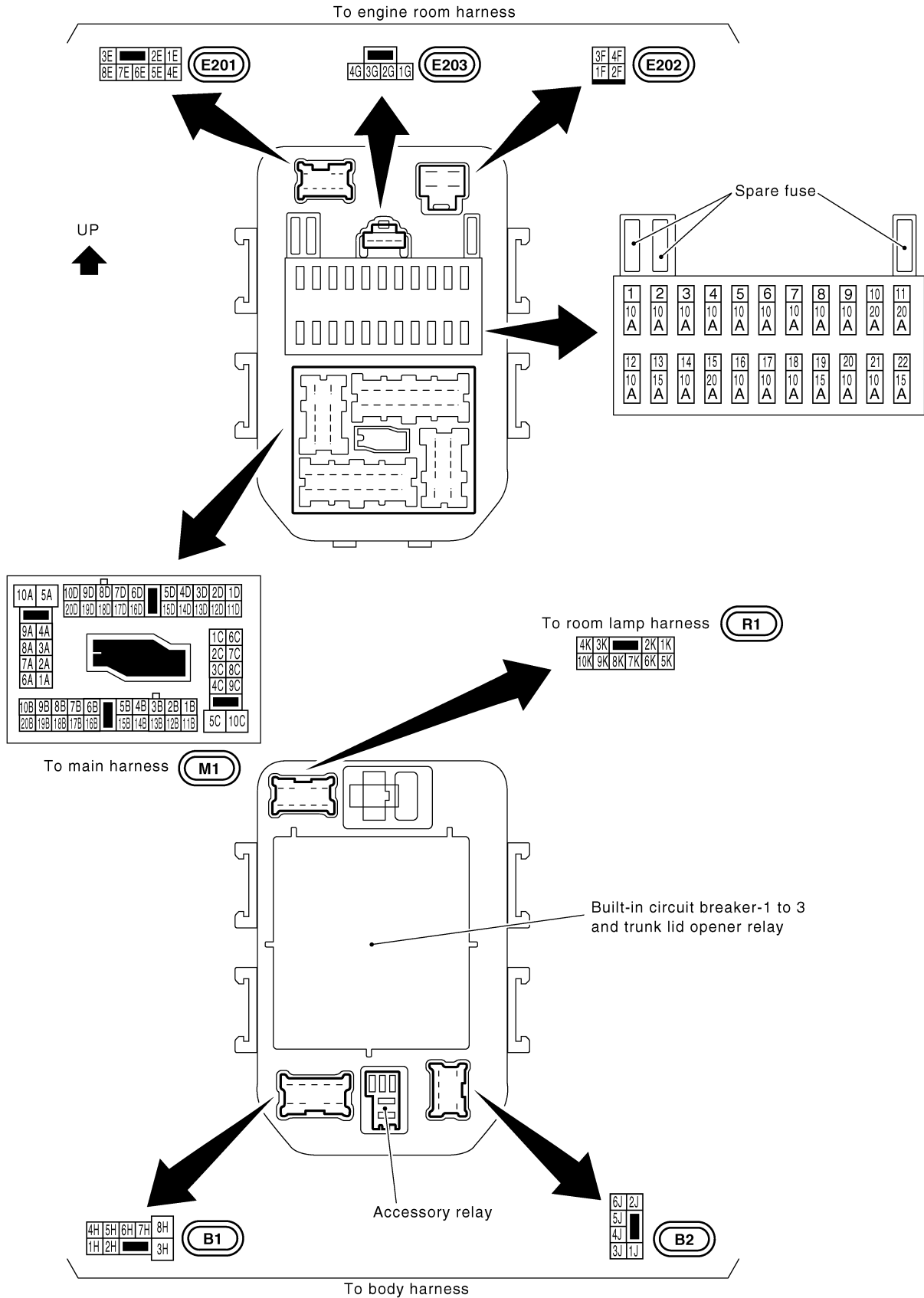
FUSE BLOCK - JUNCTION BOX (J/B) NO. 1

FUSE BLOCK - JUNCTION BOX (J/B) NO. 1

PFP:24350

Terminal Arrangement

EKS00178



A
B
C
D
E
F
G
H
I
J
PG
L
M

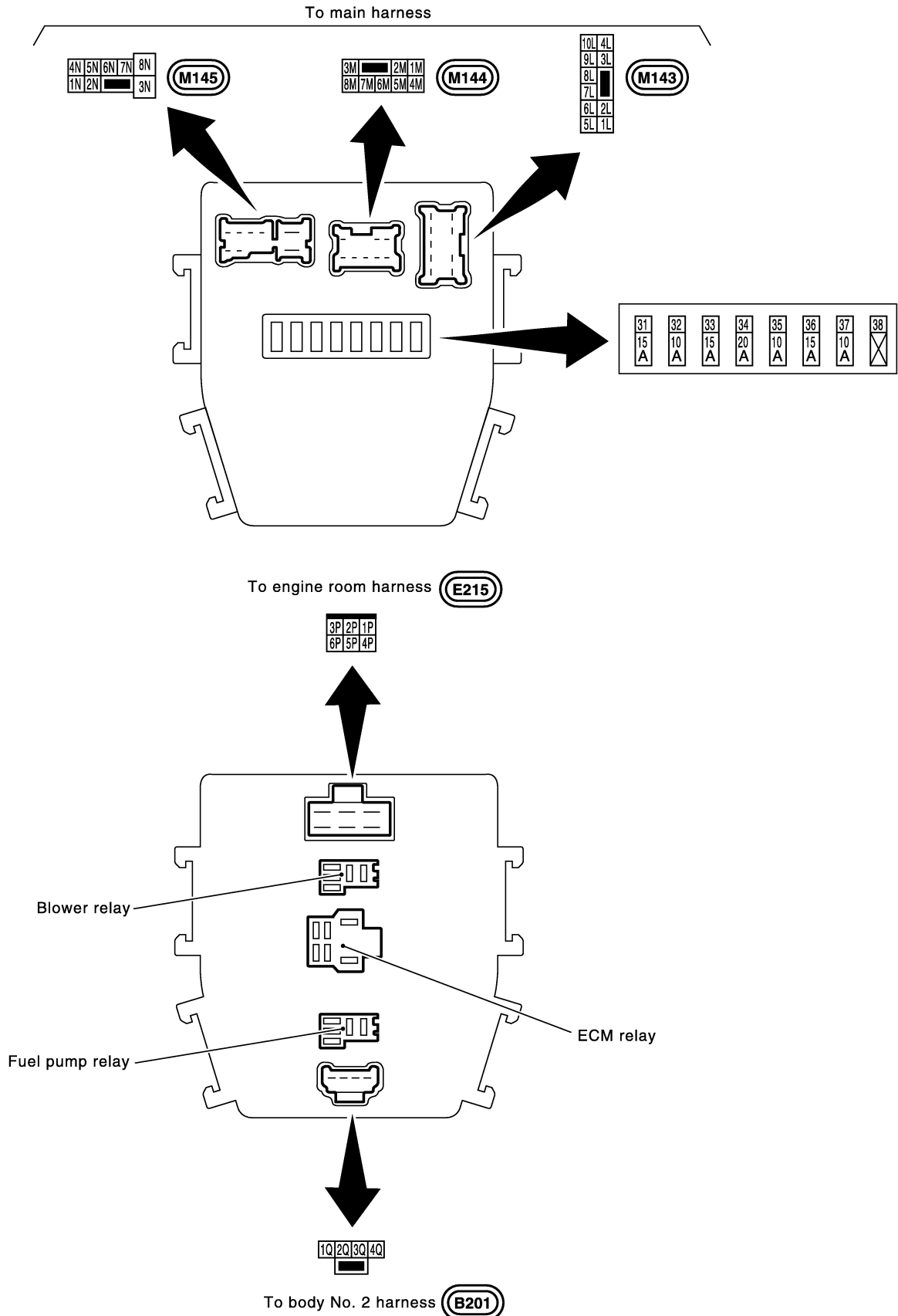
FUSE BLOCK - JUNCTION BOX (J/B) NO. 2

PFP:24350

EKS00175

FUSE BLOCK - JUNCTION BOX (J/B) NO. 2

Terminal Arrangement



CKIM0065E

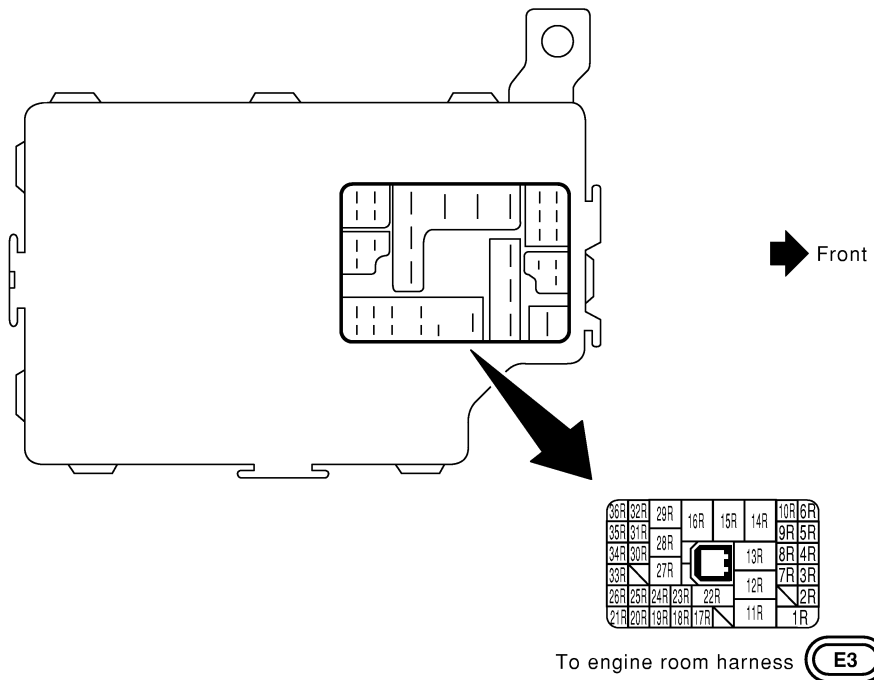
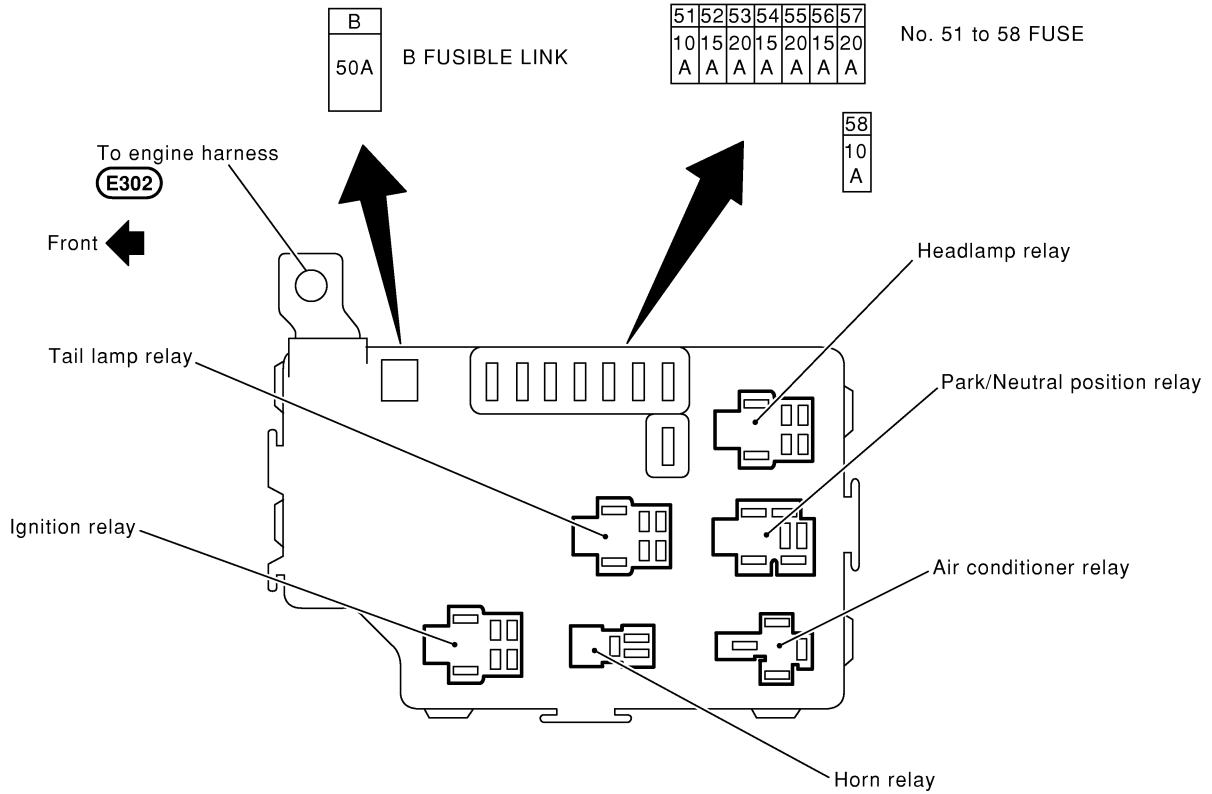
FUSE, FUSIBLE LINK AND RELAY BLOCK (J/B)

FUSE, FUSIBLE LINK AND RELAY BLOCK (J/B)

PPF:24382

Terminal Arrangement

EKS00176



A
B
C
D
E
F
G
H
I
J
PG
L
M

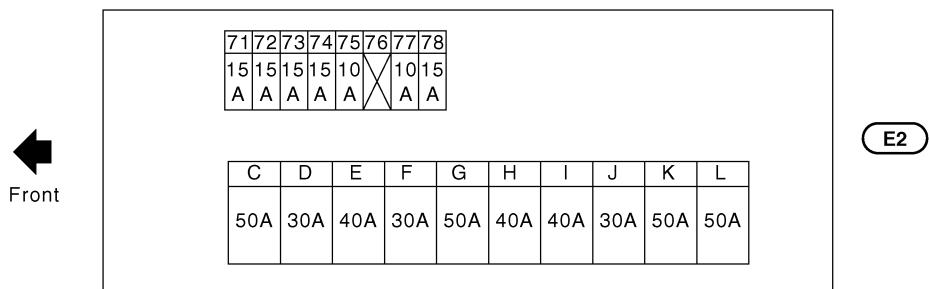
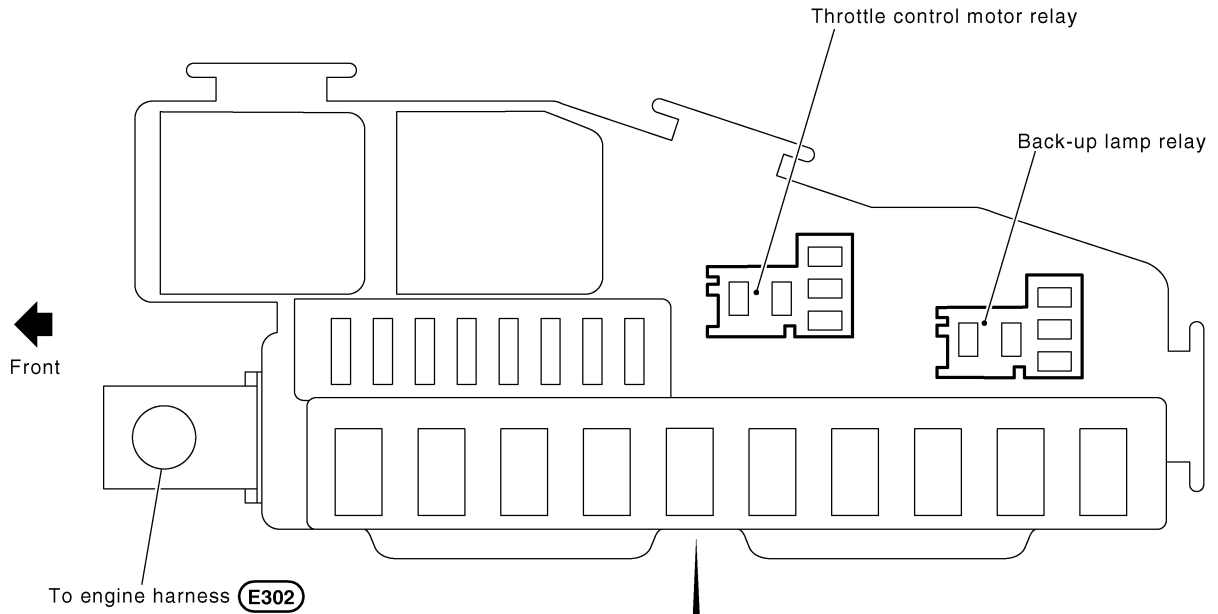
FUSE, FUSIBLE LINK AND RELAY BOX

PFP:24382

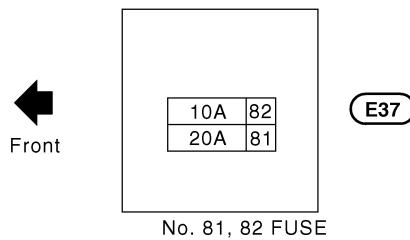
EKS00177

FUSE, FUSIBLE LINK AND RELAY BOX

Terminal Arrangement



C to L FUSIBLE LINK
No. 71 to 78 FUSE



No. 81, 82 FUSE

CKIM0344E