

# RX-7

## Factory Service Material

This manual can be downloaded for free from  
<http://members.xoom.com/twinturboteddy/fsm/rx7.htm>

Or you can donate \$10 to [diepat@earthlink.net](mailto:diepat@earthlink.net) through **paypal.com** and a gift CD with all manuals and resources I carry will be sent to you.

### This includes

- 1993 Factory Service Manual
- 1988 Factory Service Manual
- 1995 Printed Microfiche of all parts
- 1989 Printed Microfiche of all parts\*
- 1990 Printed Microfiche of all parts\*
- 1986 Printed Microfiche of all parts\*
- 1987 Printed Microfiche of all parts\*
- 1988 Printed Microfiche of all parts\*

The \$10 donation is used to offset the tremendous amount of time it takes to make everything available.



\* These works are currently in process and may or not be readily available upon request. They will be hosted on the same link above and for download

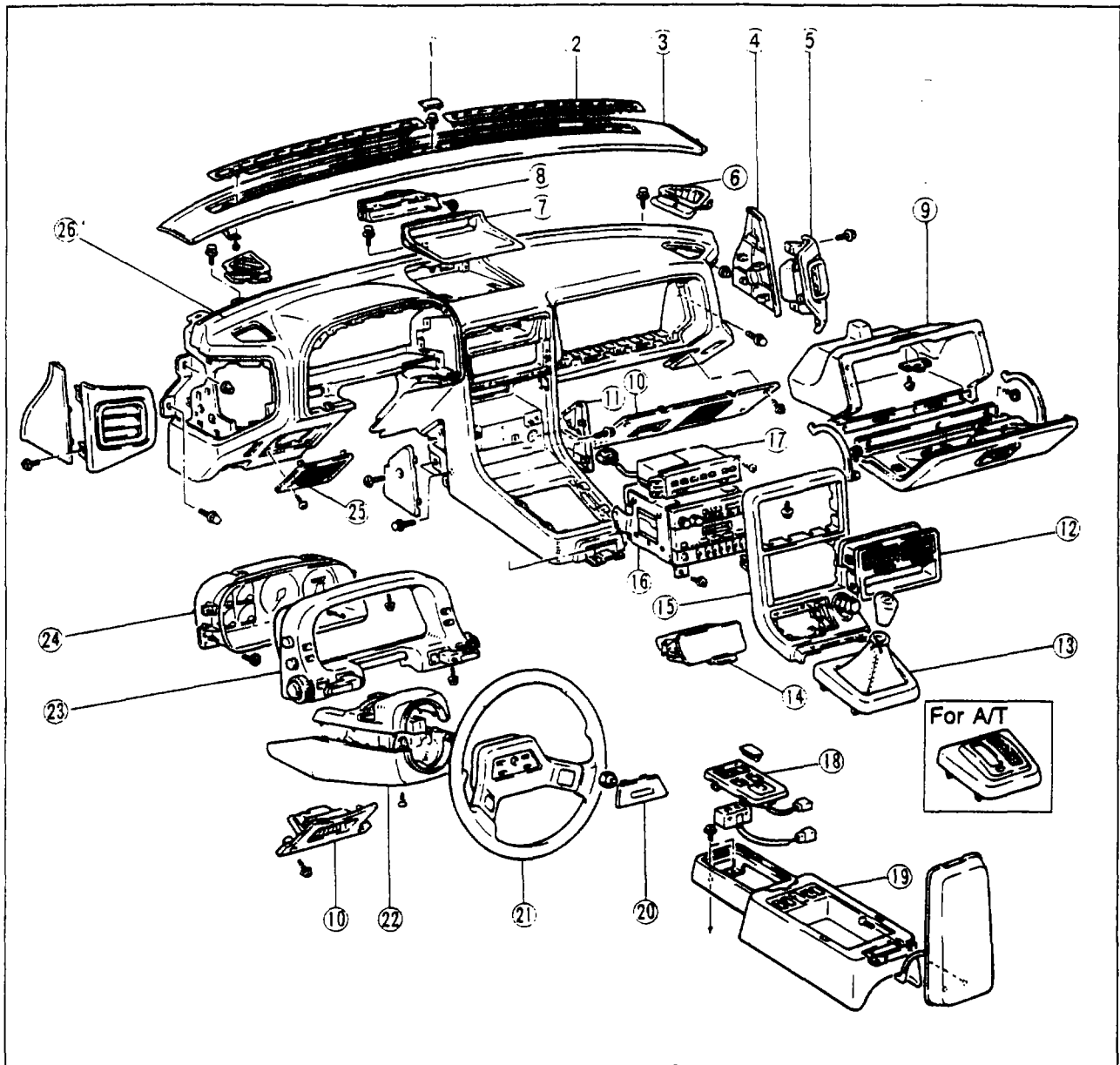
## BODY

<b>INSTRUMENT PANEL</b> .....	14— 2	<b>RETRACTABLE HEADLIGHT</b> .....	14—38
STRUCTURAL VIEW.....	14— 2	STRUCTURAL VIEW.....	14—38
INSTALLATION VIEW.....	14— 3	REPLACEMENT OF HEADLIGHT	
REMOVAL.....	14— 4	BULB.....	14—39
<b>SEAT</b> .....	14— 8	ADJUSTMENT OF HEADLIGHT AIM	14—39
STRUCTURAL VIEW.....	14— 8	ADJUSTMENT OF HEADLIGHT	
INSPECTION.....	14— 9	HINGE.....	14—39
<b>SEAT BELT</b> .....	14—10	ADJUSTMENT OF RETRACTOR	
STRUCTURAL VIEW.....	14—10	MOTOR POSITION.....	14—40
INSPECTION.....	14—11	<b>WINDSHIELD GLASS</b> .....	14—41
<b>CEILING, GARNISH AND TRIM</b> .....	14—12	STRUCTURAL VIEW.....	14—41
STRUCTURAL VIEW.....	14—12	REMOVAL.....	14—42
<b>HOOD AND HOOD LOCK</b> .....	14—13	INSTALLATION.....	14—44
STRUCTURAL VIEW.....	14—13	<b>REAR GLASS HATCH GLASS</b> .....	14—47
ADJUSTMENT OF HOOD LOCK ...	14—14	STRUCTURAL VIEW.....	14—47
<b>FRONT BUMPER</b> .....	14—15	REMOVAL.....	14—47
STRUCTURAL VIEW.....	14—15	INSTALLATION.....	14—48
OPTIONAL FRONT AIR DAM SKIRT	14—16	<b>MOLDING</b> .....	14—51
<b>REAR BUMPER</b> .....	14—17	STRUCTURAL VIEW.....	14—51
STRUCTURAL VIEW.....	14—17	FRONT PILLAR GARNISH.....	14—52
INSPECTION OF SHOCK		REAR GLASS HATCH MOLDING...	14—52
ABSORBER.....	14—18	SIDE PROTECTOR MOLDING.....	14—53
<b>REAR GLASS HATCH, REAR</b>		FRONT AND REAR PROTECTOR	
<b>WIPER, AND FUEL LID OPENER</b> ..	14—19	MOLDING.....	14—54
STRUCTURAL VIEW.....	14—19	<b>SLIDING SUNROOF</b> .....	14—55
REMOVAL OF REAR GLASS HATCH	14—20	STRUCTURAL VIEW.....	14—55
ADJUSTMENT OF REAR GLASS		REMOVAL.....	14—56
HATCH.....	14—21	INSTALLATION.....	14—57
<b>TRUNK LID</b> .....	14—22	REPLACEMENT OF MOTOR	
STRUCTURAL VIEW.....	14—22	ASSEMBLY.....	14—59
REMOVAL.....	14—23	<b>CONVERTIBLE TOP</b> .....	14—60
ADJUSTMENT.....	14—24	STRUCTURAL VIEW.....	14—60
<b>WINDSHIELD WIPER</b> .....	14—25	REMOVAL.....	14—61
STRUCTURAL VIEW.....	14—25	INSTALLATION.....	14—65
REMOVAL.....	14—25	ASSEMBLY OF CONVERTIBLE TOP	14—69
<b>DOOR</b> .....	14—27	INSTALLATION.....	14—70
STRUCTURAL VIEW (COUPE).....	14—27	ADJUSTMENT.....	14—80
REMOVAL OF DOOR GLASS AND		REMOVAL OF HEADLINER.....	14—82
REGULATOR.....	14—28	HOOD OUTER.....	14—84
ADJUSTMENT.....	14—29	INSULATOR.....	14—84
STRUCTURAL VIEW		ROOF PANEL.....	14—86
(CONVERTIBLE).....	14—30	TOOL FOR SERVICING AND	
REMOVAL.....	14—31	REPLACING CONVERTIBLE TOP.	14—92
ADJUSTMENT.....	14—33	<b>FRONT BODY DIMENSIONS</b> .....	14—93
<b>REAR COMBINATION LIGHT, SIDE</b>		<b>UNDERBODY PROJECTED</b>	
<b>MARKER LIGHT, AND HIGH</b>		<b>DIMENSIONS</b> .....	14—94
<b>MOUNTED STOP LIGHT</b> .....	14—34	<b>UNDERBODY STRAIGHT-LINE</b>	
STRUCTURAL VIEW.....	14—34	<b>DIMENSIONS</b> .....	14—98
REPLACEMENT OF COMBINATION			
LIGHT LENS.....	14—36		

# 14 INSTRUMENT PANEL

## INSTRUMENT PANEL

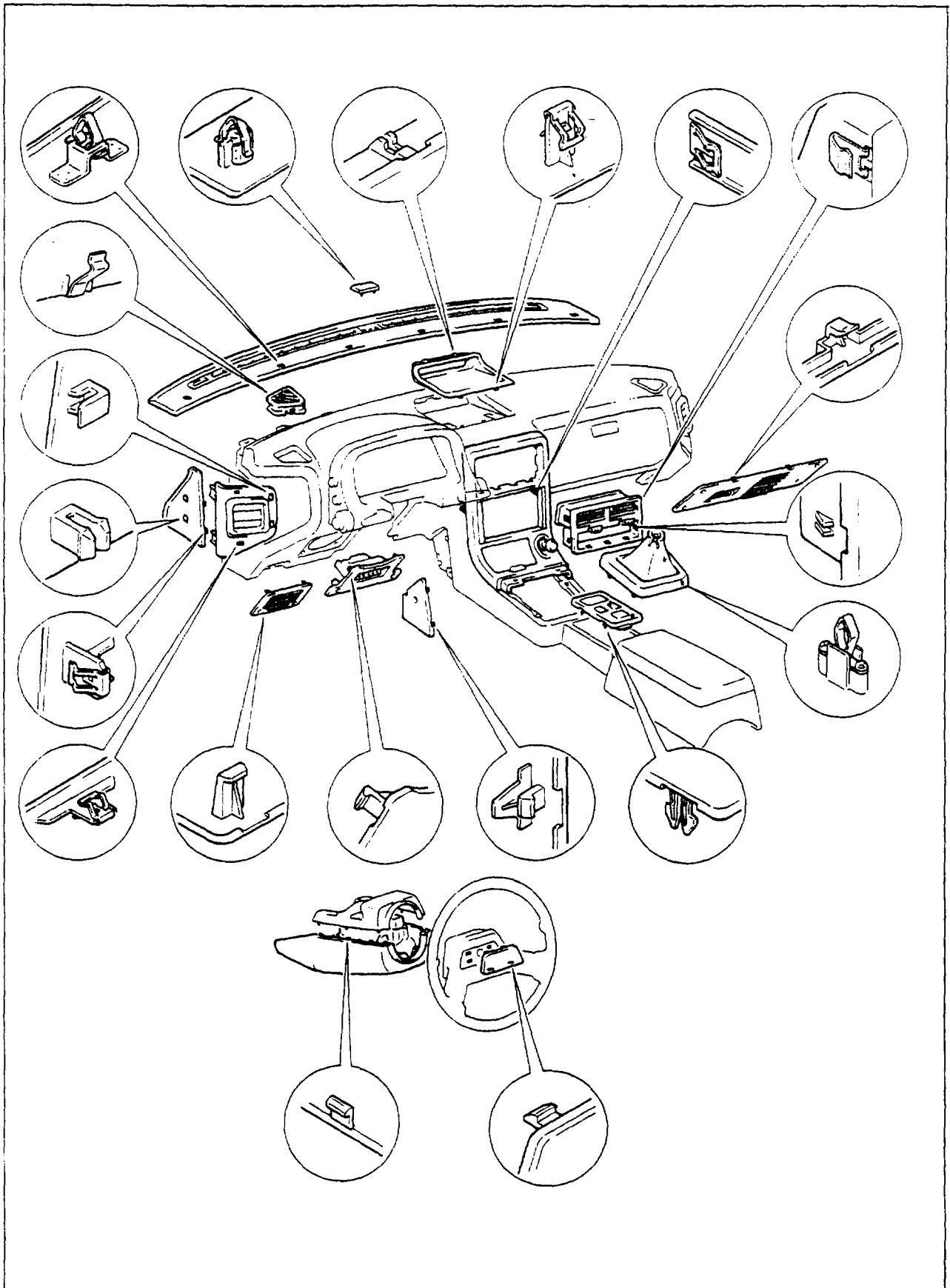
### STRUCTURAL VIEW



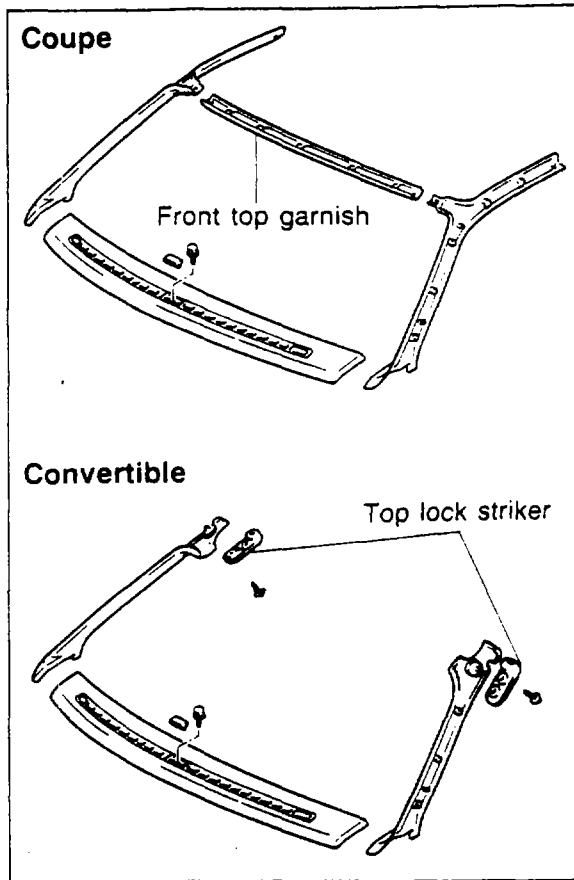
67U14X-002

- |                               |                           |                                    |
|-------------------------------|---------------------------|------------------------------------|
| 1. Center cap                 | 10. Lower panel (R and L) | 19. Rear console                   |
| 2. Defroster grille (R and L) | 11. Side wall (R and L)   | 20. Steering wheel cap             |
| 3. Instrument panel garnish   | 12. Center louver         | 21. Steering wheel                 |
| 4. Side cover (R and L)       | 13. Boot panel            | 22. Column cover (upper and lower) |
| 5. Side panel (R and L)       | 14. Ashtray               | 23. Cluster switch                 |
| 6. Demister grille (R and L)  | 15. Center panel          | 24. Meter unit                     |
| 7. Clock bezel                | 16. Audio set             | 25. Speaker grille                 |
| 8. Clock and warning unit     | 17. Logicon switch        | 26. Instrument panel               |
| 9. Glove compartment          | 18. Switch panel          |                                    |

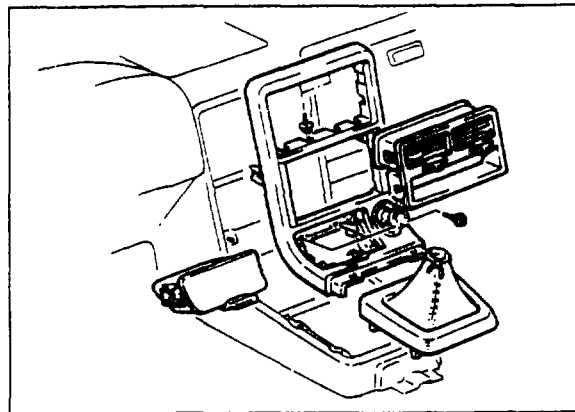
INSTALLATION VIEW



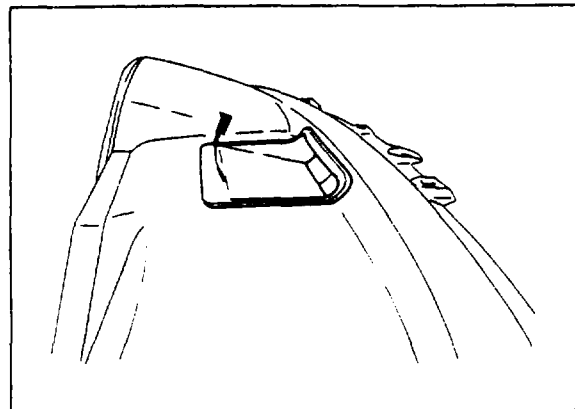
# 14 INSTRUMENT PANEL



87U14X-002



67U14X-005



67U14X-006

## REMOVAL

### Instrument Panel Garnish

1. Remove the front top garnish (coupe model), the top lock strikers (convertible) and the front pillar trims.
2. Remove the center cap and the screw.
3. Lift up the instrument garnish with defroster grilles attached, and pull out.

### Caution

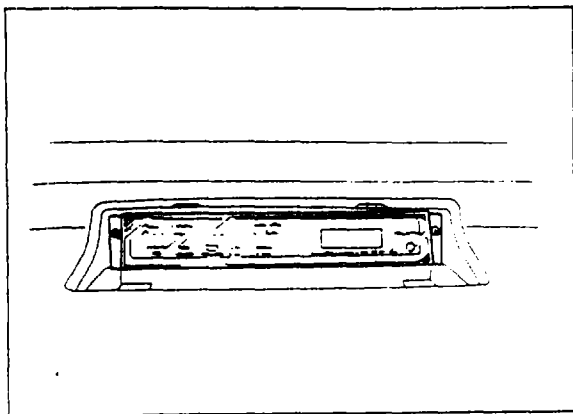
If the front pillar trims are not removed before the instrument garnish, the front pillar trims may be scratched when the garnish is removed.

### Center Panel

1. Remove the boot panel, ashtray and the center louver.
2. Remove the center panel attaching screws (4), and then detach the center panel from the instrument panel.
3. Remove the cigarette lighter illumination bulb unit and the cigarette lighter connector.
4. Remove the center panel.

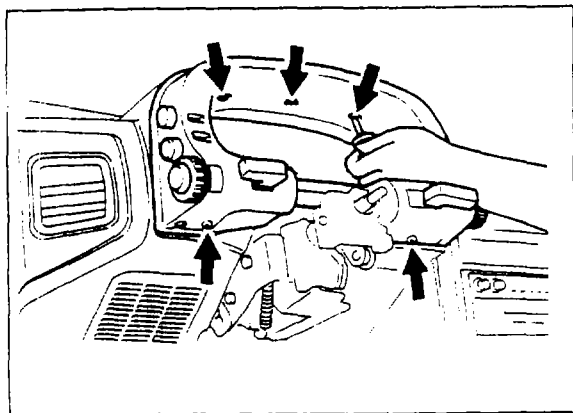
### Clock and Warning Unit

1. Pry the clock bezel upward, then remove it.



67U14X-007

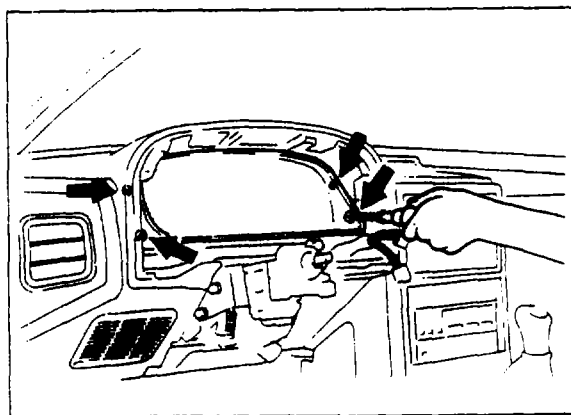
2. Remove the clock and warning unit attaching screws.
3. Pull the clock and warning unit forward, and disconnect the connector.



77U14X-002

### Cluster Switch

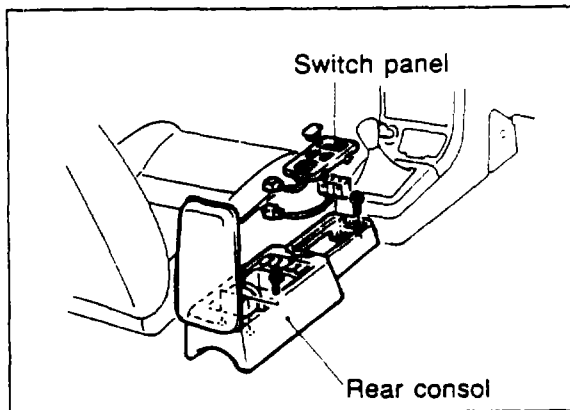
1. Remove the cluster switch attaching screws (5).
2. Disconnect the cluster switch connectors and remove the cluster switch.



77U14X-003

### Meter

1. Remove the meter attaching screws (4) and pull out the meter unit.
2. Disconnect the meter connectors and speedometer cable.
3. Remove the meter unit.

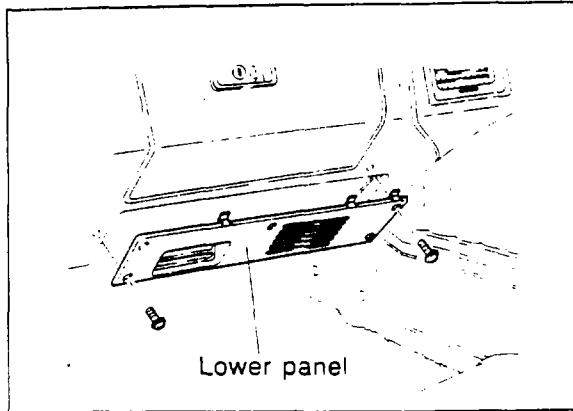


87U14X-003

### Rear Console

1. Remove the switch panel using a protected standard screw driver.
2. Disconnect the AAS (coupe), headrest speaker (convertible) and remote control mirror switch connectors.
3. Remove the rear console attaching screws (4), and then remove the rear console.

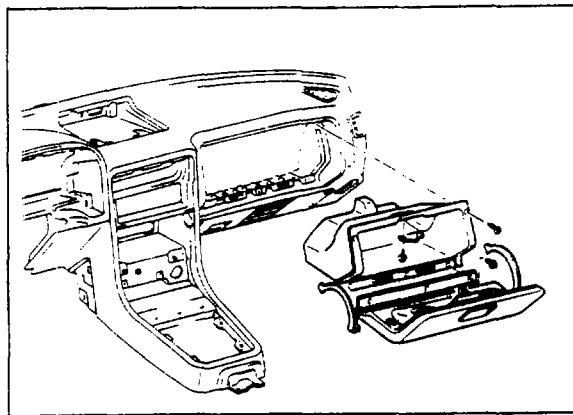
# 14 INSTRUMENT PANEL



77U14X-020

## Lower Panel

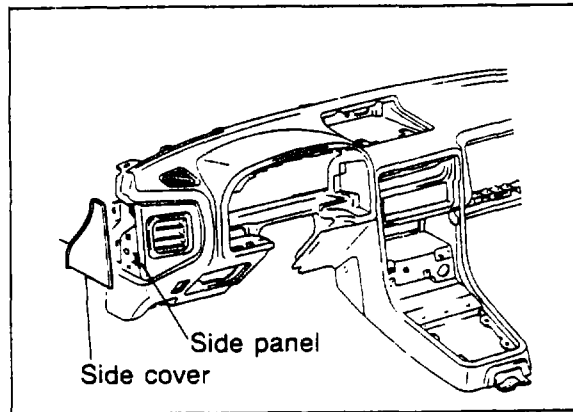
1. Remove the lower panel attaching screws (5).
2. Disconnect the theft-deterrent control unit and front speaker unit connectors.
3. Remove the heater ducts and then remove the lower panel.



77U14X-021

## Glove Box

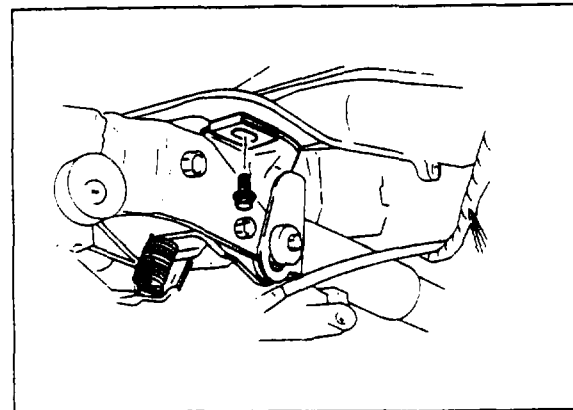
1. Open the glove box and remove the glove box attaching screws (7).
2. Remove the glove box light bulb, and glove box.
3. Remove the side wall attaching screw (1), and the side wall using a protected standard screw driver.



77U14X-007

## Side Cover

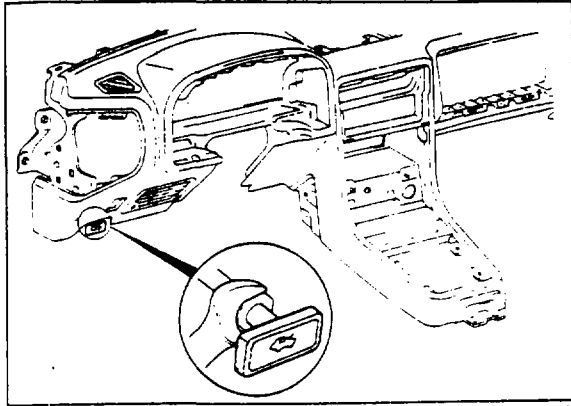
1. Remove the side cover using a protected standard screw driver.
2. Remove the side panel attaching screw (1), and remove the side panel.



77U14X-008

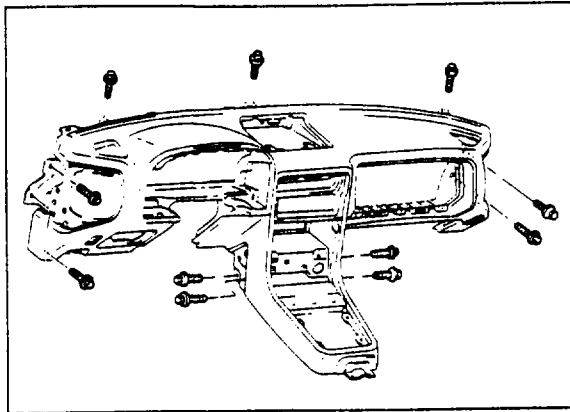
## Instrument Panel

1. Remove the tilt steering shaft bolts (2).



77U14X-009

2. Remove the hood release lever nut, and remove the hood release lever.



77U14X-010

3. Remove the instrument panel attaching bolts (11).
4. Disconnect the ignition switch connectors, connector between front and instrument harness, etc
5. Remove the instrument panel slowly.

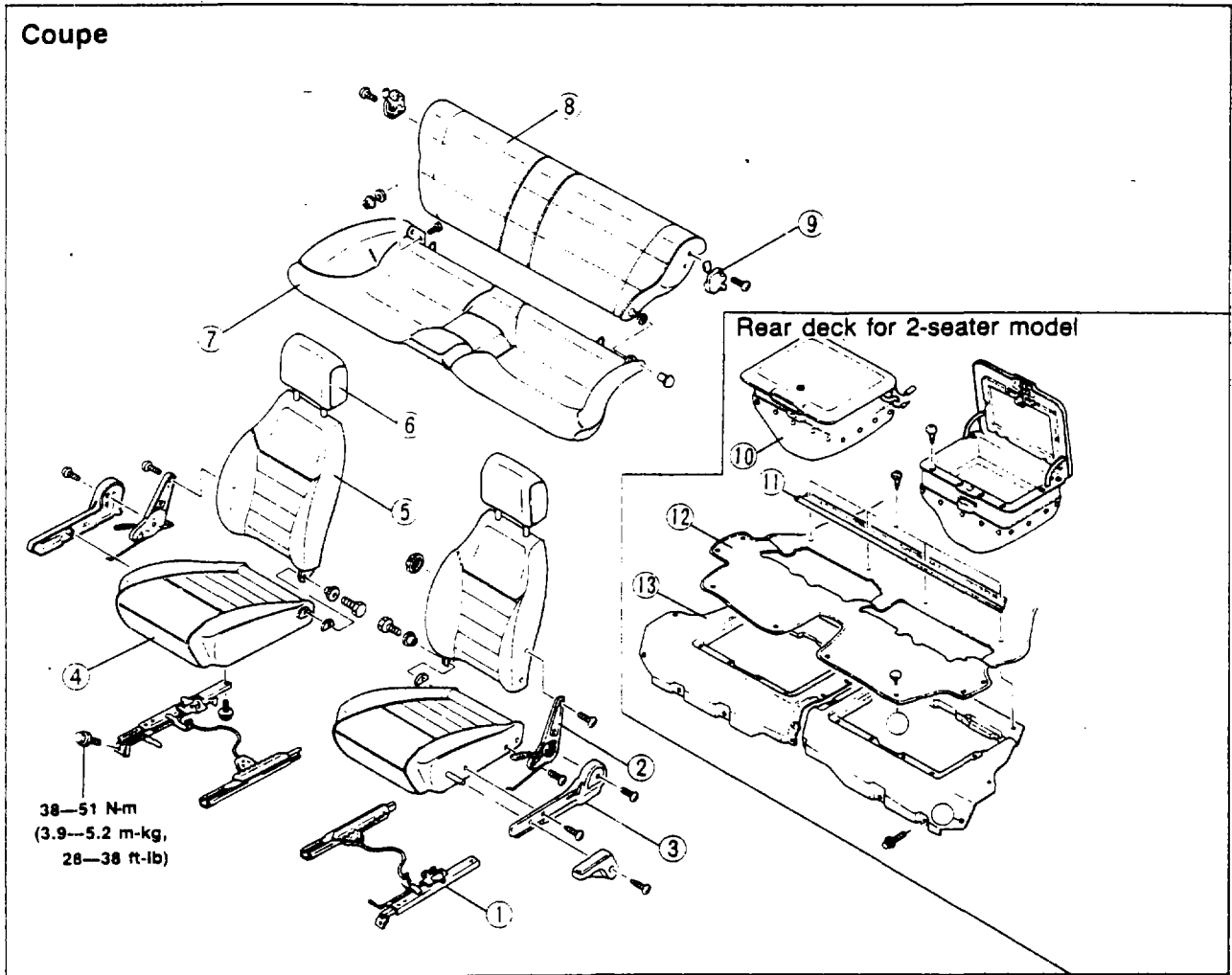
**Tightening torque: 0.9—1.3 m·kg  
(8.83—12.75 N·m)**



# 14 SEAT

## SEAT

### STRUCTURAL VIEW



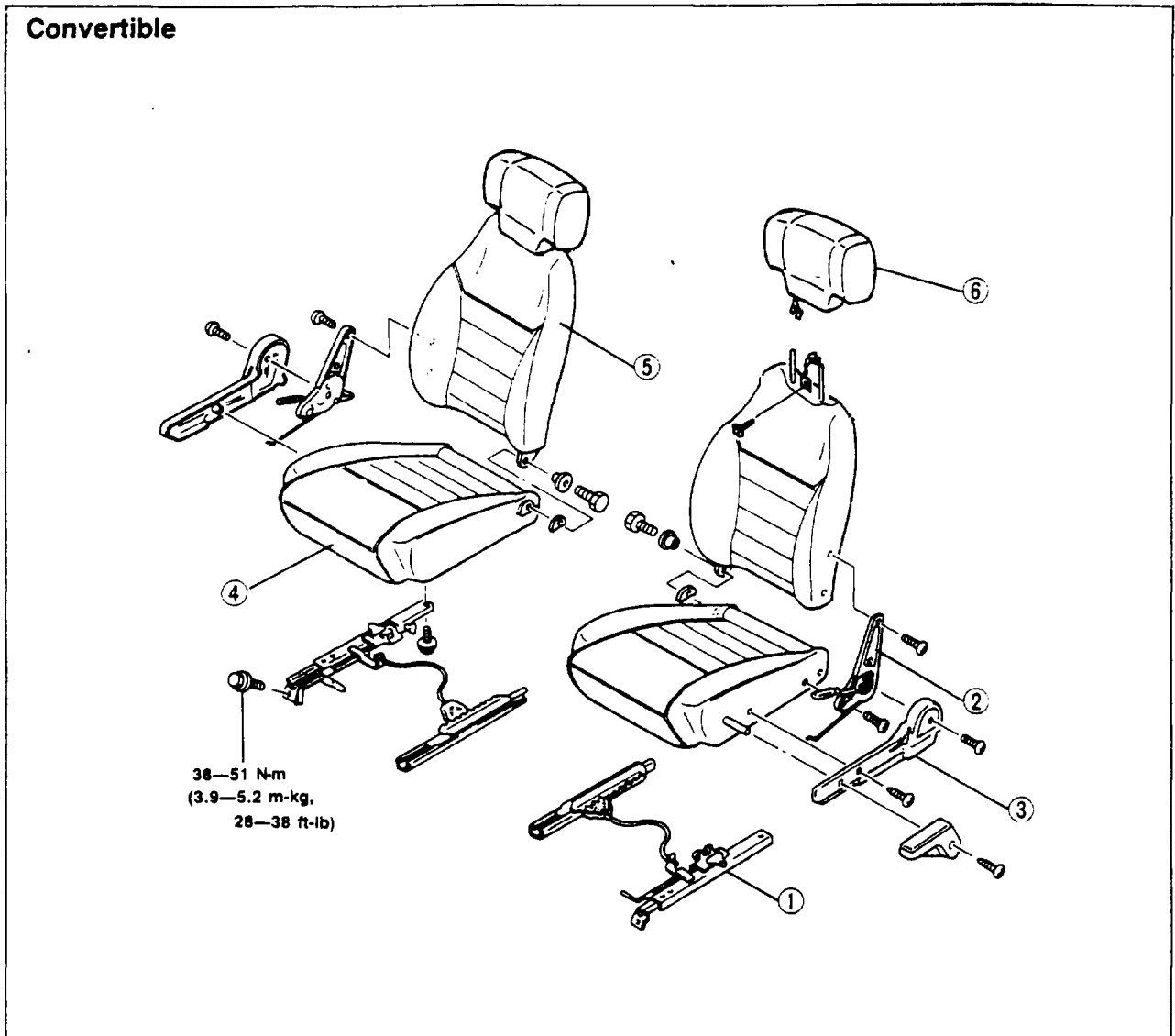
67U14X-008

- 1. Adjuster
- 2. Reclining knuckle
- 3. Knuckle cover
- 4. Seat cushion
- 5. Seat back

- 6. Headrest
- 7. Rear seat cushion
- 8. Rear seat back
- 9. Seat back lock
- 10. Storage box

- 11. Mat set plate
- 12. Cargo space mat
- 13. Rear deck

## Convertible

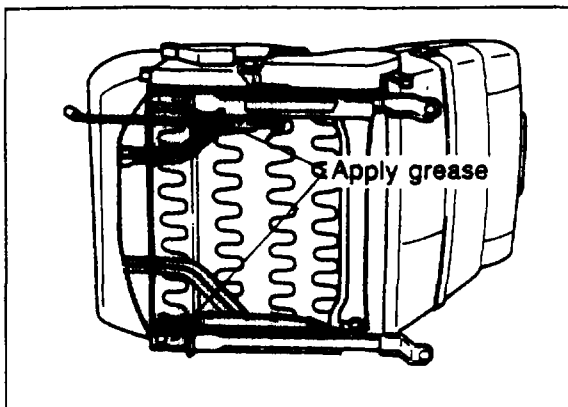


87U14X-004

1. Adjuster  
2. Reclining knuckle

3. Knuckle cover  
4. Seat cushion

5. Seat back  
6. Headrest (with speaker)



67U14X-009

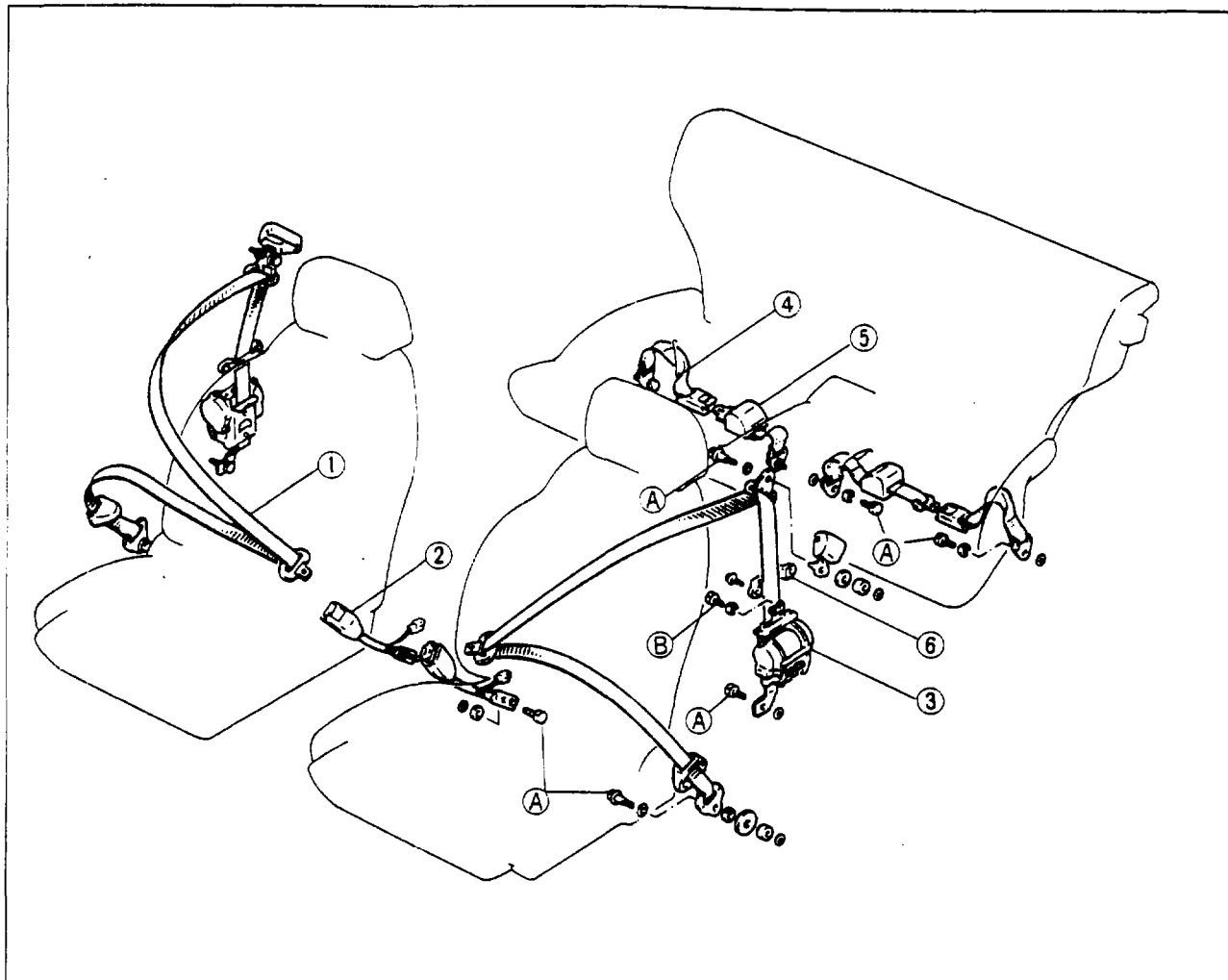
### INSPECTION

- Check that the seat adjuster lever and reclining knuckle move smoothly.  
Apply grease to the moving parts.
- Check the adjustment lever for wear.
- Check the front seat mounting bolts for looseness.

# 14 SEAT BELT

## SEAT BELT

### STRUCTURAL VIEW



87U14X-005

- 1. Front seat belt
- 2. Buckle
- 3. Retractor (E.L.R.)

- 4. Rear seat belt (For coupe)
- 5. Rear retractor (A.L.R. For coupe)
- 6. Set plate (For coupe)

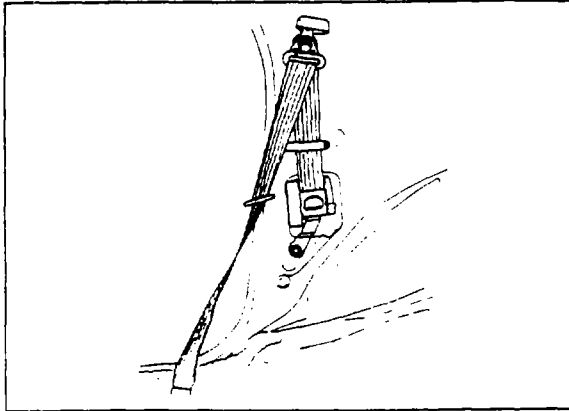
#### Caution

Do not disassemble the buckles or retractors.

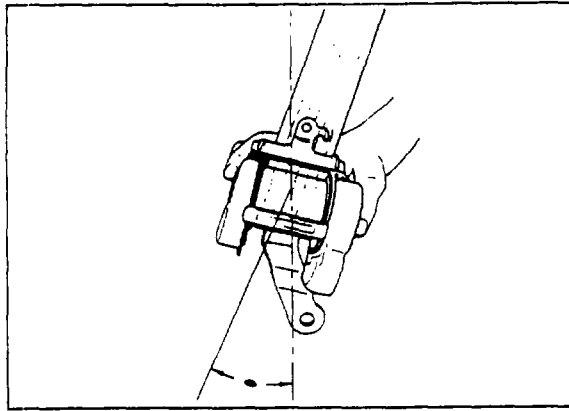
#### Tightening torque:

A: 38—78 N·m (3.9—8.0 m·kg, 28—58 ft·lb)

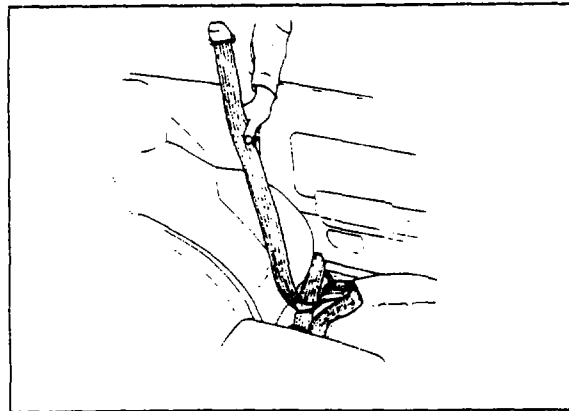
B: 4.9 N·m (50 cm·kg, 43 in·lb)



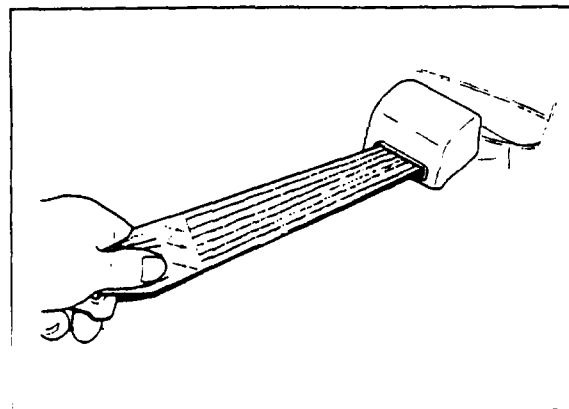
87U14X-156



67U14X-012



67U14X-013



67U14X-014

**INSPECTION****E.L.R. (Emergency Lock Retractor)****Lock function**

1. Drive the vehicle at about **16 km/h (10 mph)** in first gear.
2. Release the accelerator pedal and apply the brakes strongly and quickly.
3. Check that the retractor locks when the above mentioned braking is applied.

**Warning**

**This inspection must only be performed by a qualified MAZDA technician at an authorized MAZDA dealership. Do not attempt to perform this inspection unless you meet this qualification.**

If the retractor does not lock in the above inspection, proceed as follows:

4. Remove the retractor.
5. Place the retractor vertically.
6. While pulling out the belt, incline the retractor slowly.
7. Check that the retractor locks within an inclination of  $30^\circ$ .

**Retraction function**

1. Slowly pull the belt out about **600 mm (23.6 in)**.
2. Place the belt on the seat.
3. Check that the belt is retracted in four seconds or less when released.

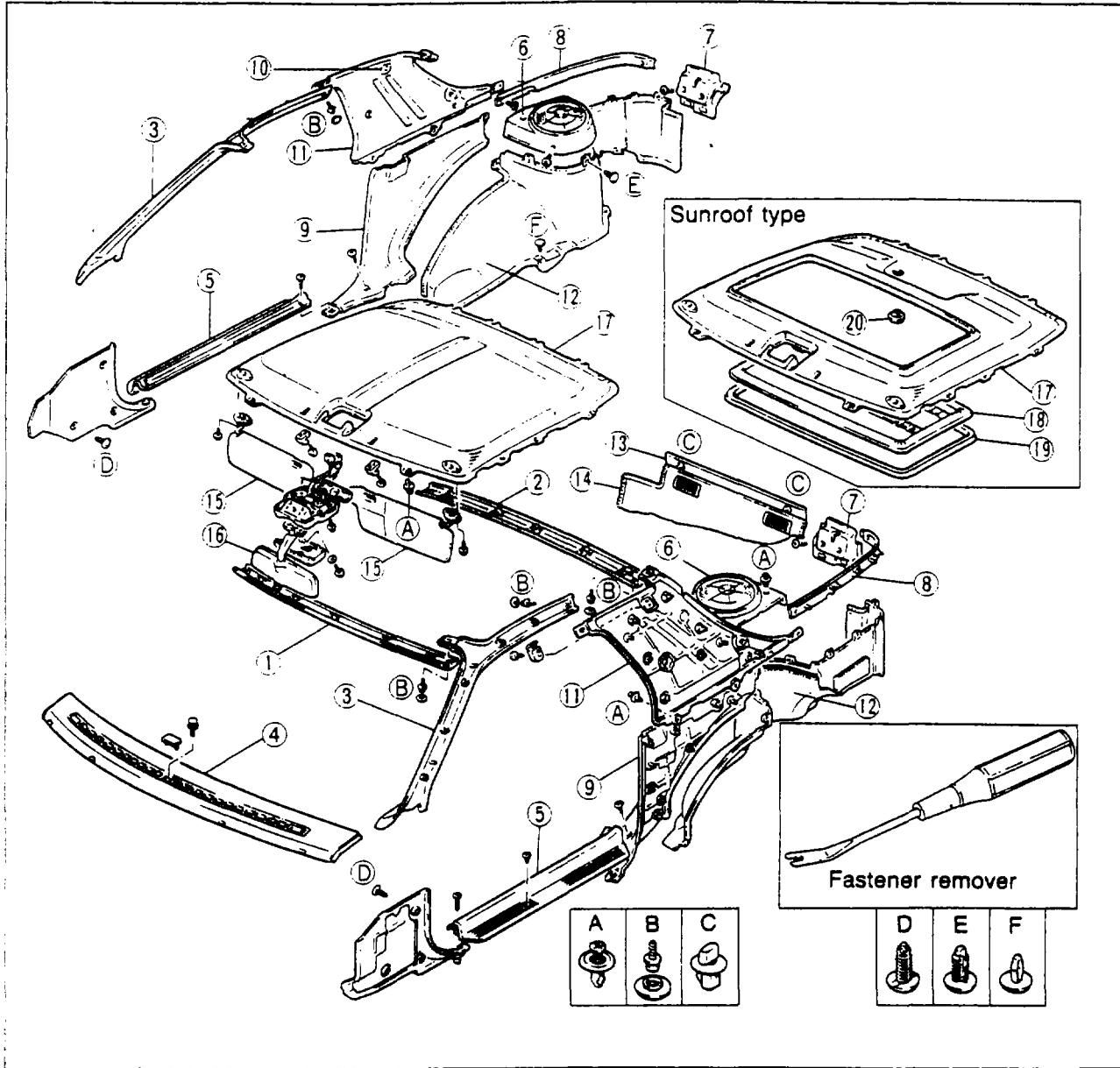
**A.L.R. (Automatic Lock Retractor)****Lock function**

1. Pull the belt out and let it retract about **20 mm (0.079 in)**.
2. Check that the belt is locked when pulled out again just after the above operation.

# 14 CEILING, GARNISH AND TRIM

## CEILING, GARNISH AND TRIM

### STRUCTURAL VIEW



87U14X-147

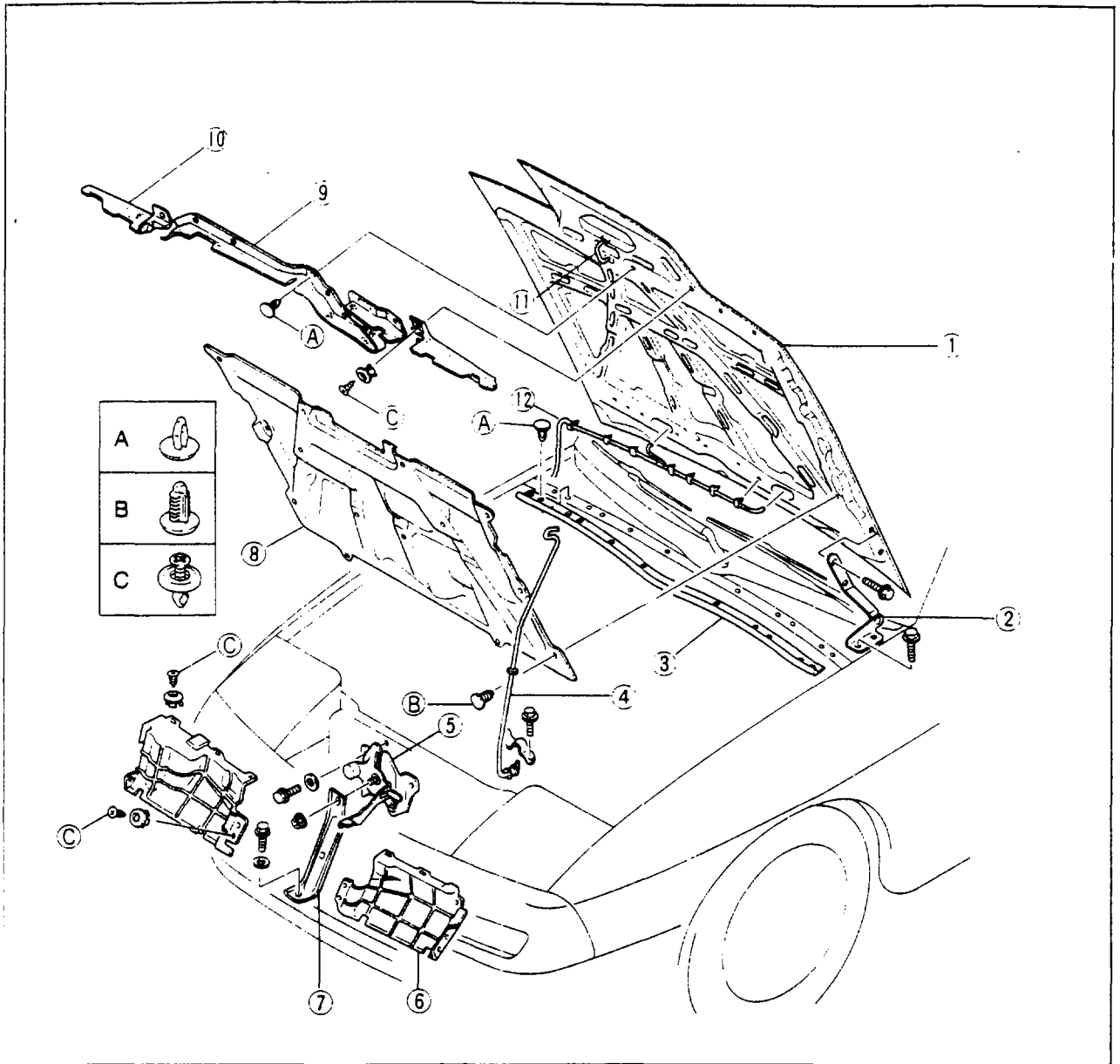
- |                                |                                     |                        |
|--------------------------------|-------------------------------------|------------------------|
| 1. Front top garnish           | 8. Upper trunk side trim (R and L)  | 13. Upper end trim     |
| 2. Rear top garnish            | 9. Quarter trim (R and L)           | 14. Lower end trim     |
| 3. Front pillar trim (R and L) | 10. Coat hanger (R and L)           | 15. Sunvisor (R and L) |
| 4. Instrument panel garnish    | 11. Quarter pillar trim (R and L)   | 16. Interior mirror    |
| 5. Scuff plate (R and L)       | 12. Lower trunk side trim (R and L) | 17. Headliner          |
| 6. Speaker grille (R and L)    |                                     | 18. Inner trim         |
| 7. Lock cover (R and L)        |                                     | 19. Seaming welt       |
|                                |                                     | 20. Motor hole cover   |

#### Note

Use a fastener remover like the one shown in the figure to remove the "D", "E", and "F" type fasteners.

HOOD AND HOOD LOCK

STRUCTURAL VIEW



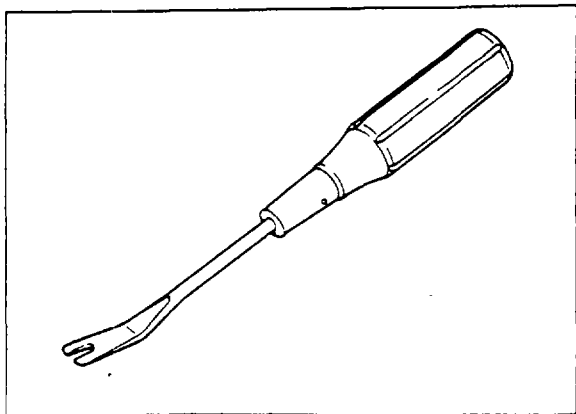
67U14X-016

- |                     |                               |                                   |
|---------------------|-------------------------------|-----------------------------------|
| 1. Hood panel       | 5. Hood lock                  | 9. Front seal rubber              |
| 2. Hinge (R and L)  | 6. Upper duct cover (R and L) | 10. Headlight protector (R and L) |
| 3. Cowl seal rubber | 7. Lock brace                 | 11. Striker                       |
| 4. Hood stay        | 8. Insulator                  | 12. Windshield washer hose        |

**Caution**

- a) Do not replace steel hoods with aluminum hoods without replacing the hood hinges, as aluminum hoods need electrically insulated hinges to prevent electrolytic corrosion.
- b) Two types of hood locks are used; one for aluminum hoods and one for steel hoods. The strengths of the locks are different due to the weight of the hoods. Use only the proper lock for the respective hood.

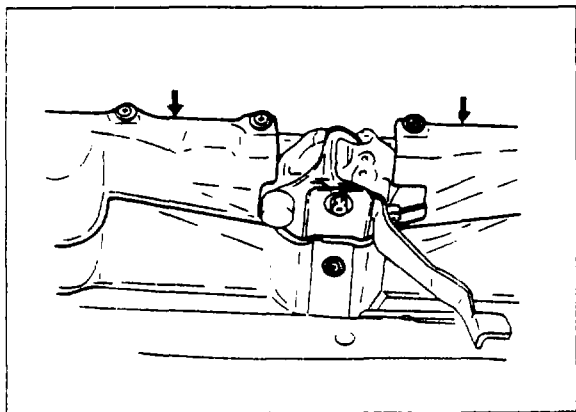
# 14 HOOD AND HOOD LOCK



67U14X-017

## Note

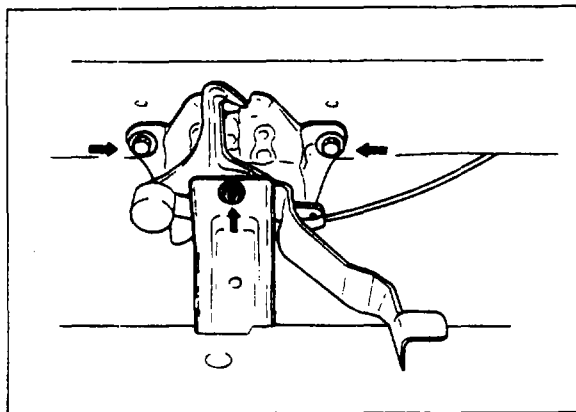
Use a fastener remover like the one shown in the figure to remove the "A" and "B" type fasteners.



67U14X-018

## ADJUSTMENT OF HOOD LOCK

1. Remove the upper duct cover.

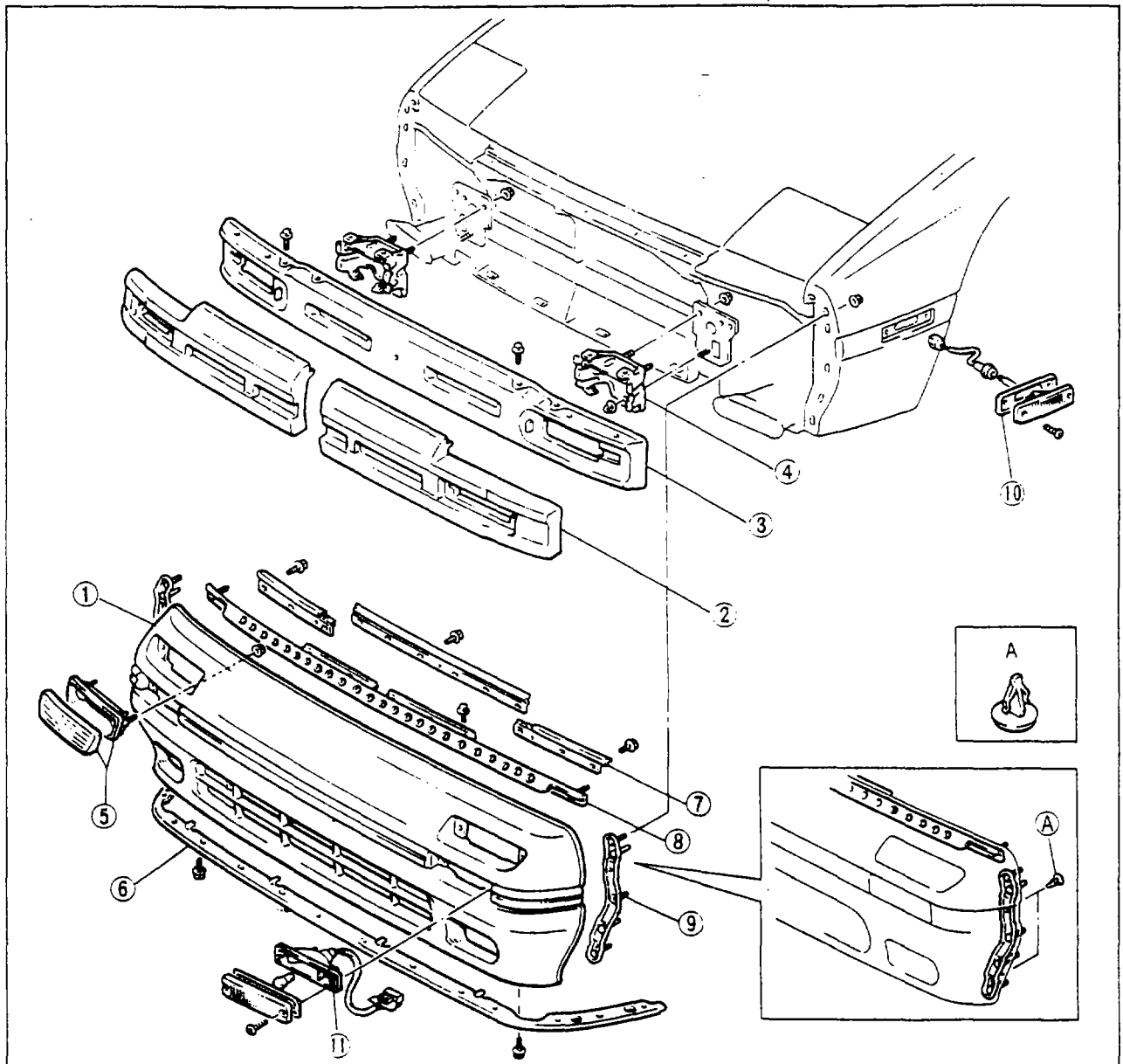


67U14X-019

2. Loosen the lock attaching bolts and nuts to adjust the hood lock.

## FRONT BUMPER

### STRUCTURAL VIEW

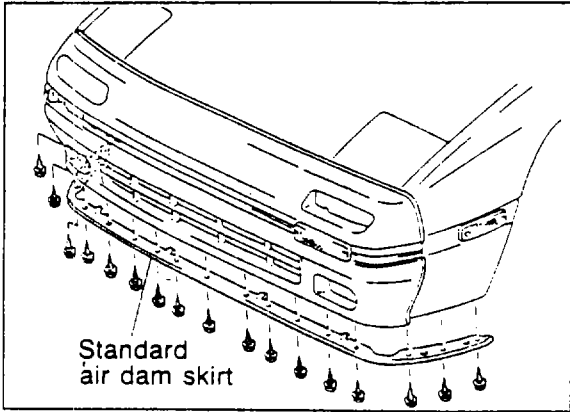


67U14X-020

- |   |  |
|---|--|
| <ul style="list-style-type: none"> <li>1. Fascia</li> <li>2. Energy absorbing foam (R and L)</li> <li>3. Bumper reinforcement</li> <li>4. Bumper stay (R and L)</li> <li>5. Passing port window cover (R and L)</li> <li>6. Front airdam stirt</li> <li>7. Upper set plate (3)</li> <li>8. Retainer</li> <li>9. Side set plate (R and L)</li> </ul> | <ul style="list-style-type: none"> <li>10. Front side marker light<br/>bulb: 3.8w</li> <li>11. Front combination light<br/>bulb: Turn signal/Parking light 27/8 w</li> </ul> |
|---|--|



# 14 FRONT BUMPER



77U14X-022

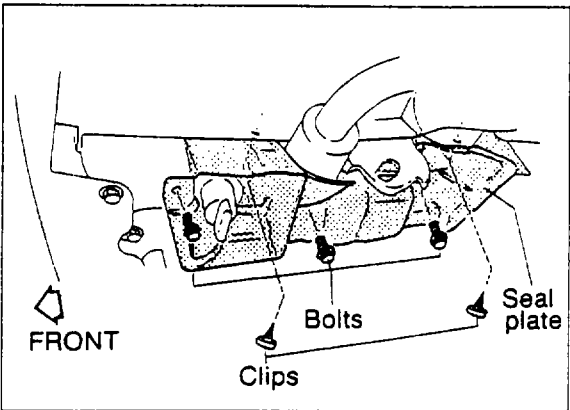
## OPTIONAL FRONT AIR DAM SKIRT

### Installation

1. Jack up the front of the vehicle and support it with safety stands.
2. Remove standard air dam skirt.

### Note

Do not reuse the 17 screws which were attached to the air dam skirt.

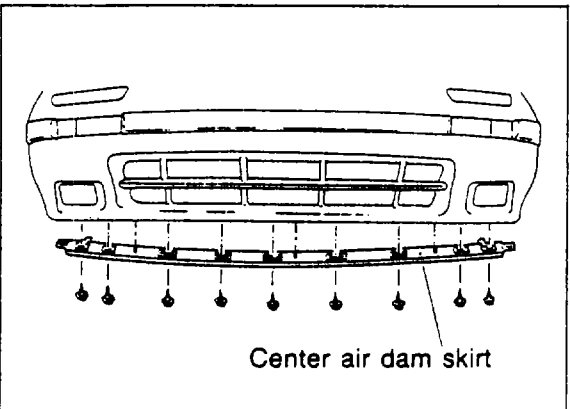


77U14X-023

3. Remove seal plate attached to the right and left as the figure shows.

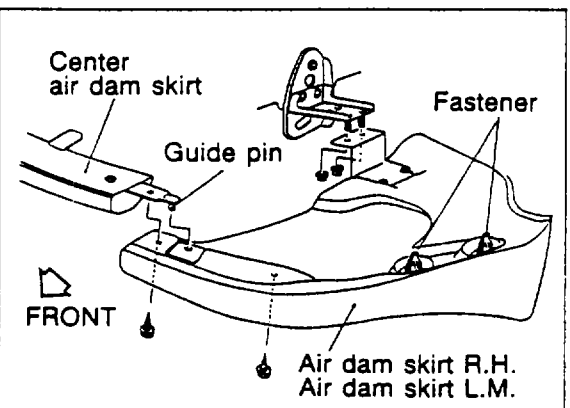
### Note

Keep the seal plate, bolts, and clips because they are reusable.



77U14X-024

4. Install the center air dam skirt using the 9 screws supplied in the kit.

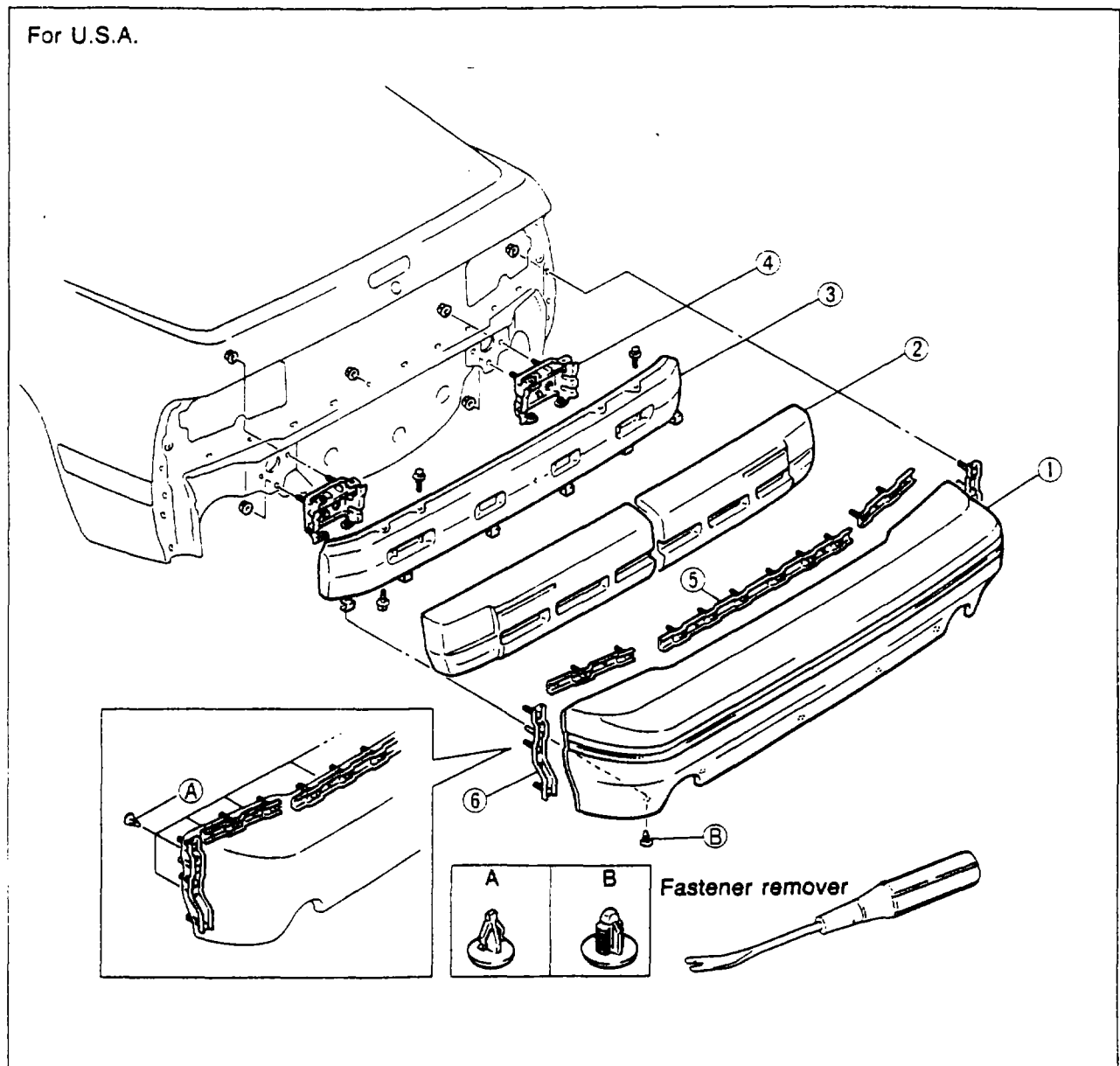


77U14X-014

5. Install the right and left air dam skirt.
6. Attach the seal plate, which was removed before.

## REAR BUMPER

### STRUCTURAL VIEW



67U14X-021

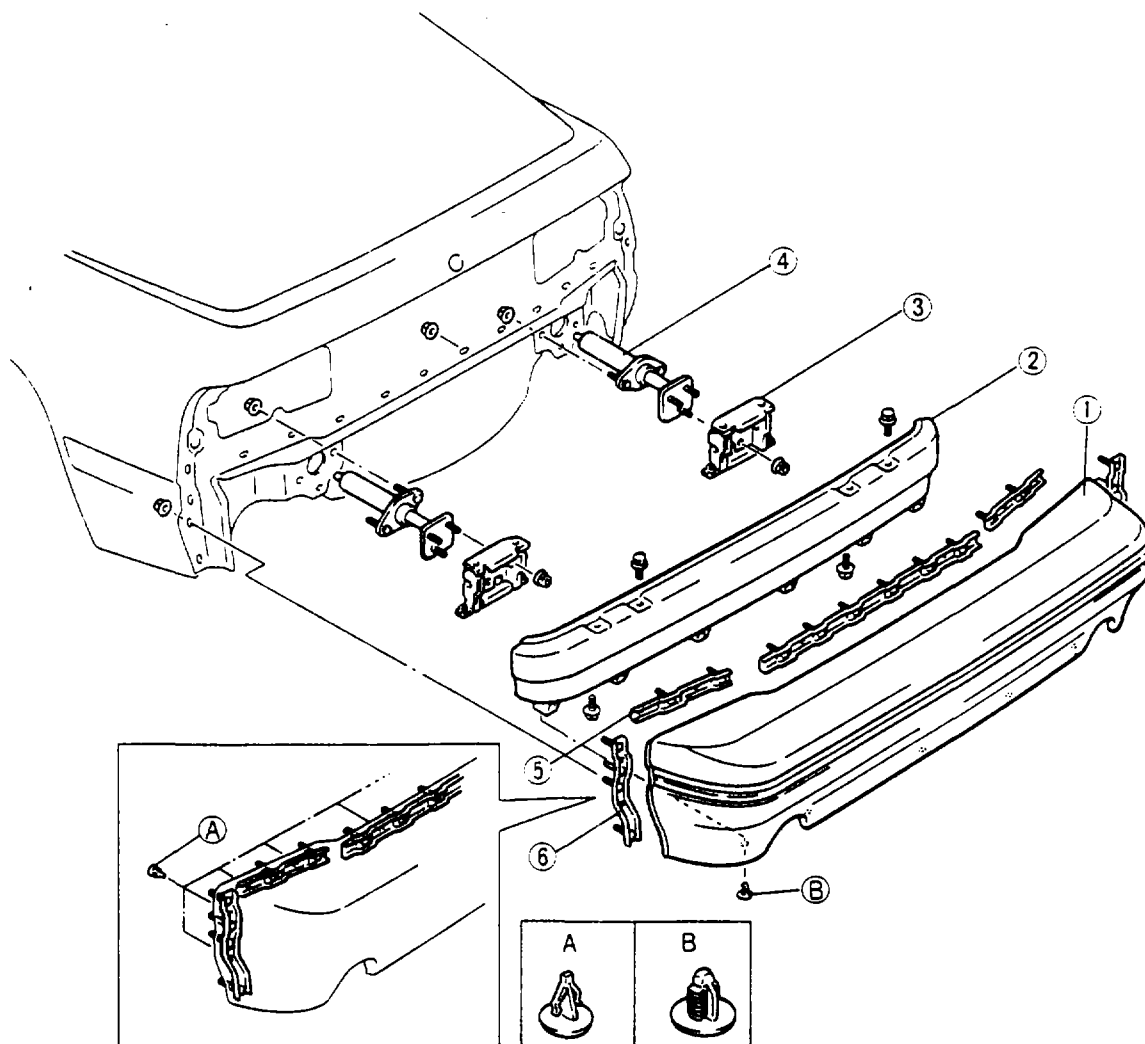
- |                                    |                             |
|------------------------------------|-----------------------------|
| 1. Fascia                          | 4. Bumper stay (R and L)    |
| 2. Energy absorbing foam (R and L) | 5. Upper set plate (3)      |
| 3. Bumper reinforcement            | 6. Side set plate (R and L) |

#### Note

Use a fastener remover like the one shown in the figure to remove the "A" and "B" type fasteners.

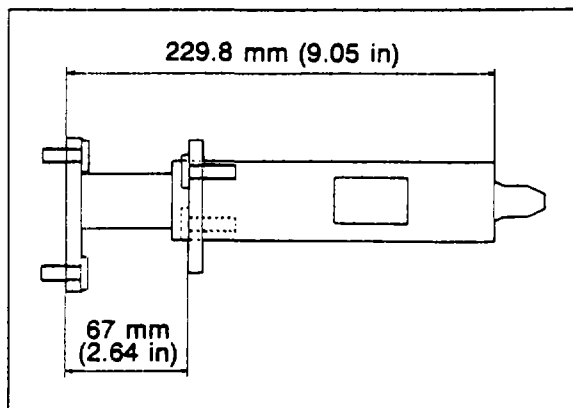
# 14 REAR BUMPER

For Canada



1. Fascia
2. Bumper reinforcement
3. Bumper stay (R and L)

4. Shock absorber (R and L)
5. Upper set plate (3)
6. Side set plate (R and L)



## INSPECTION OF SHOCK ABSORBER

1. Check that lengths (A) and (B) are within specification.
2. Check for any oil or gas leakage.

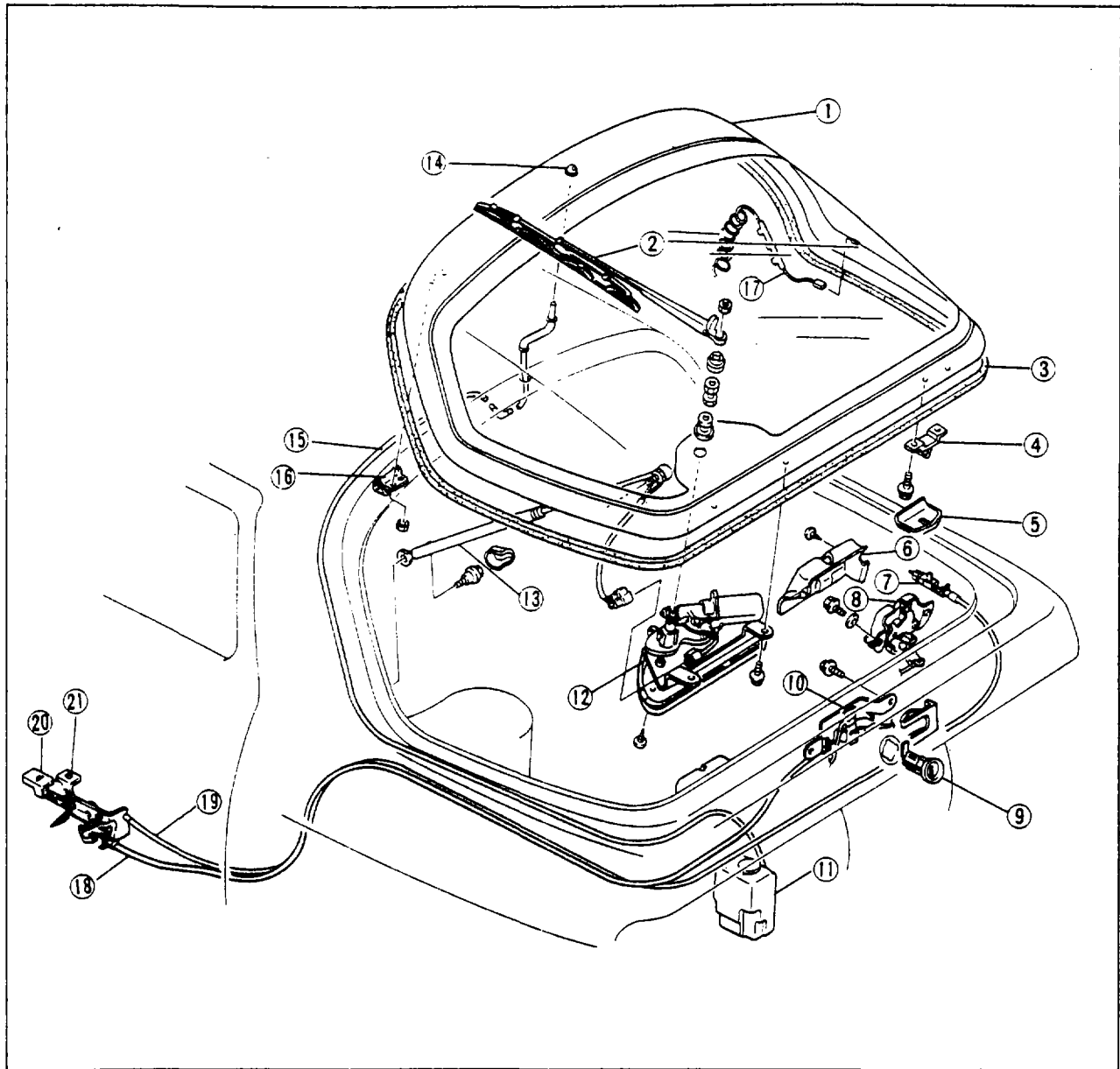
### Warning

Do not disassemble the shock absorbers or expose them to fire.

67U14X-022

REAR GLASS HATCH, REAR WIPER, AND FUEL LID OPENER

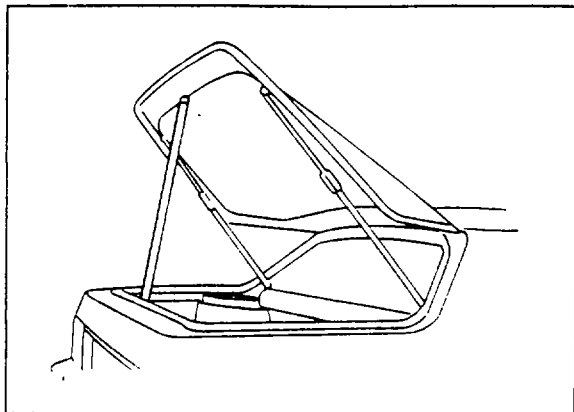
STRUCTURAL VIEW



67U14X-023

- |                         |                           |                                      |
|-------------------------|---------------------------|--------------------------------------|
| 1. Rear glass hatch     | 8. Lock (R and L)         | 15. Washer hose                      |
| 2. Wiper arm and blade  | 9. Key cylinder           | 16. Rear glass hatch hinge           |
| 3. Weatherstrip         | 10. Opener unit           | 17. Defroster wiring                 |
| 4. Striker (R and L)    | 11. Washer tank           | 18. Release wire (rear glass hatch)  |
| 5. Striker cover        | 12. Wiper motor assembly  | 19. Release wire (fuel lid)          |
| 6. Lock cover           | 13. Damper stay (R and L) | 20. Release lever (rear glass hatch) |
| 7. Fuel lid opener unit | 14. Washer nozzle         | 21. Release lever (fuel lid)         |

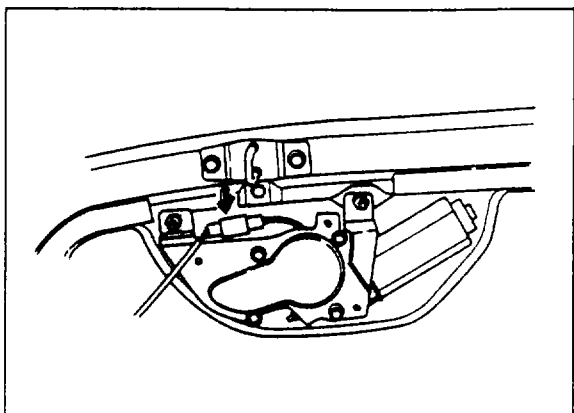
# 14 REAR GLASS HATCH, REAR WIPER, AND FUEL LID OPENER



67U14X-024

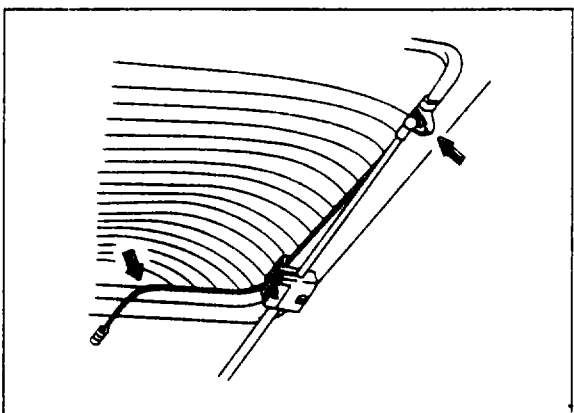
## REMOVAL OF REAR GLASS HATCH

1. Disconnect the negative battery cable.
2. Open the rear glass hatch.
3. Support the rear glass hatch with a rod.



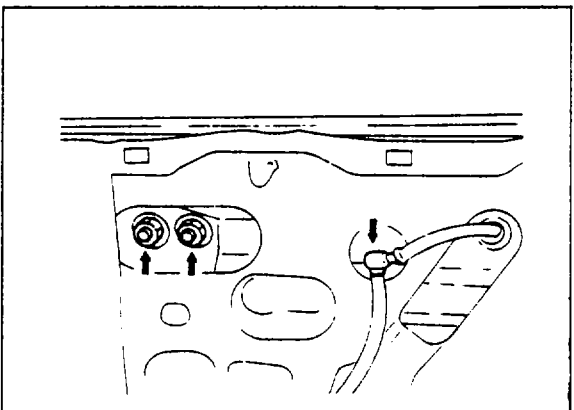
67U14X-025

4. Disconnect the rear wiper motor connector.



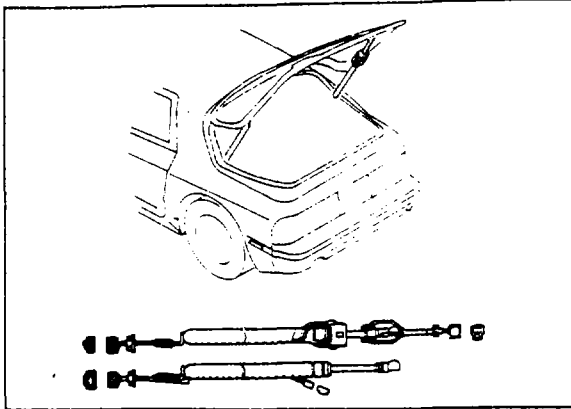
67U14X-026

5. Remove the rear defroster wiring from the glass hatch (R and L).
6. Disconnect the damper stays (R and L).
7. Close the rear glass hatch.



87U14X-148

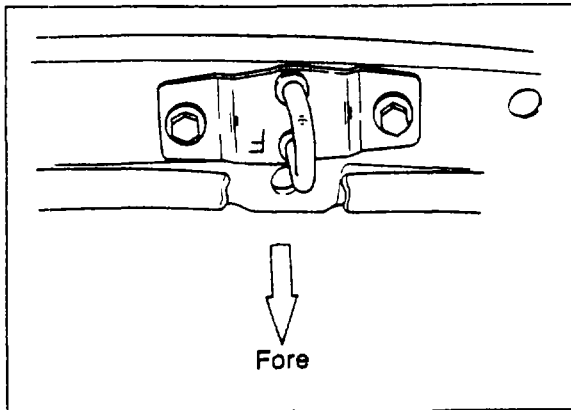
8. Remove the rear top garnish and the top ceiling.  
(Refer to page 14-12)
9. Disconnect the rear washer hose.
10. Remove the rear glass hatch hinge nuts (4).
11. Remove the rear glass hatch.



67U14X-028

### Warning

- a) Do not disassemble the damper stay, as it is filled with gas and oil.
- b) Before discarding a damper stay that is being replaced, drill a 2 or 3 mm (0.079 or 0.118 in) hole at the lower end of the cylinder and allow the high pressure gas to escape. Take care when venting it, as the gas and oil will escape with considerable force.



67U14X-029

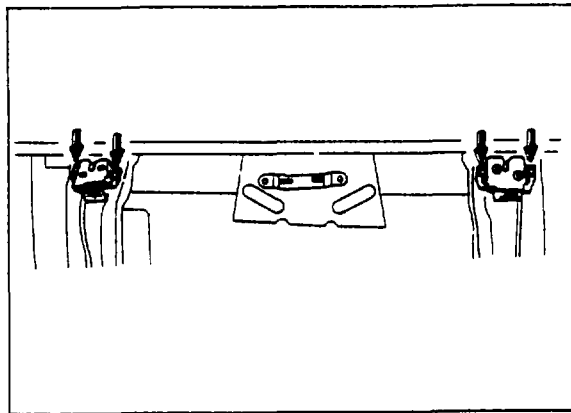
### ADJUSTMENT OF REAR GLASS HATCH

#### Striker

The strikers can be adjusted forward or rearward by loosening the attaching bolts.

#### Note

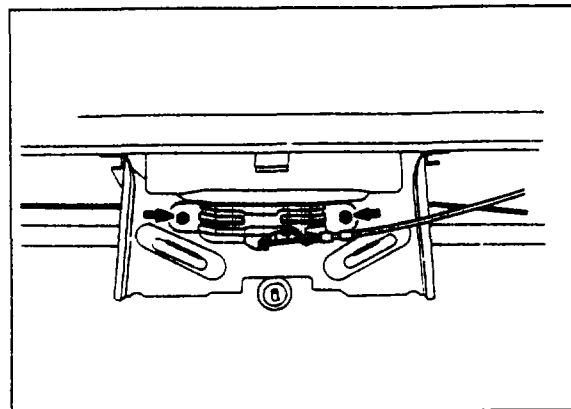
The strikers are directional, having an "F" mark on them, indicating the front of the vehicle.



67U14X-030

#### Lock

1. To adjust the rear glass hatch locks, loosen the hatch lock attaching bolts and move the lock as required to align the rear glass hatch strikers.



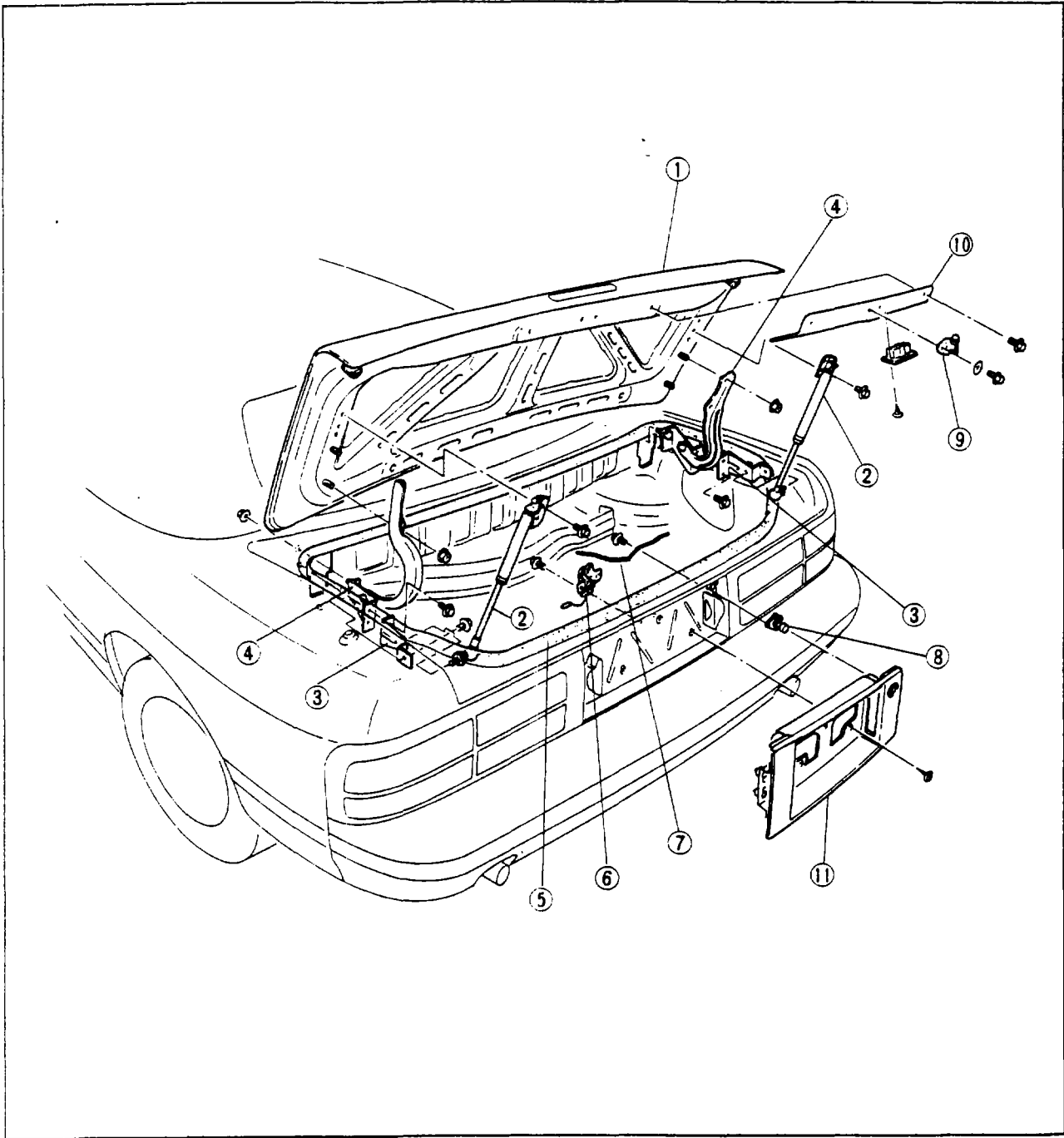
67U14X-031

2. To adjust the unlocking timing of the rear glass hatch locks, loosen the attaching bolts of the opener unit and move the opener unit to the right or left so that the two locks unlock simultaneously.

# 14 TRUNK LID

## TRUNK LID

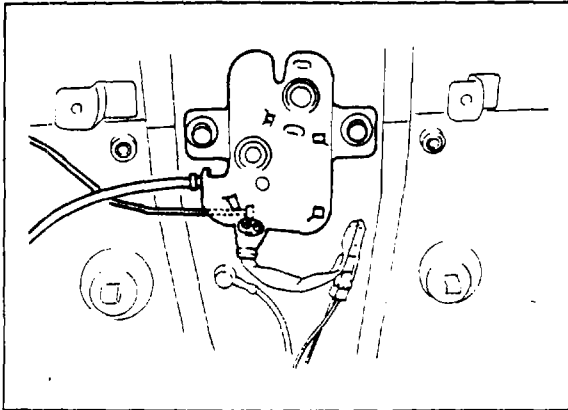
### STRUCTURAL VIEW



87U14X-006

1. Trunk lid
2. Damper stay
3. Damper stay bracket
4. Trunk lid hinge
5. Weatherstrip
6. Trunk lid opener

7. Opening rod
8. Trunk lid key cylinder
9. Trunk lid striker
10. Lock reinforcement
11. Rear finisher

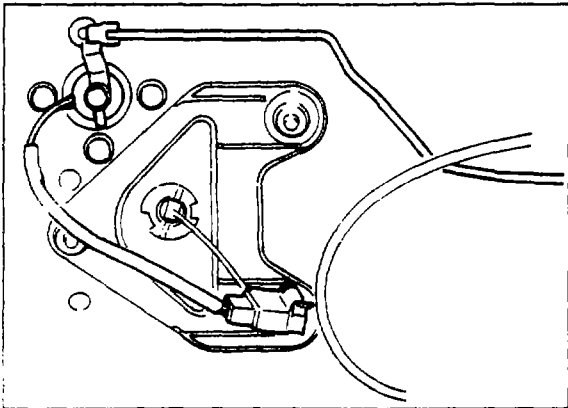


87U14X-007

## REMOVAL

### Removal of Trunk Lid Opener

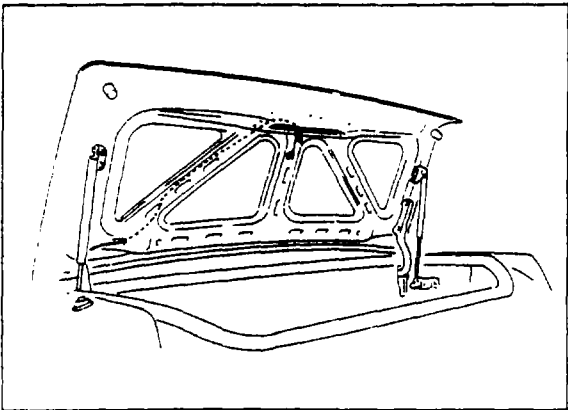
1. Disconnect the trunk lid opener switch connector.
2. Remove the bolts, then remove the trunk lid opener.
3. Remove the opening rod and the release wire.



87U14X-008

### Removal of Trunk Lid Key Cylinder

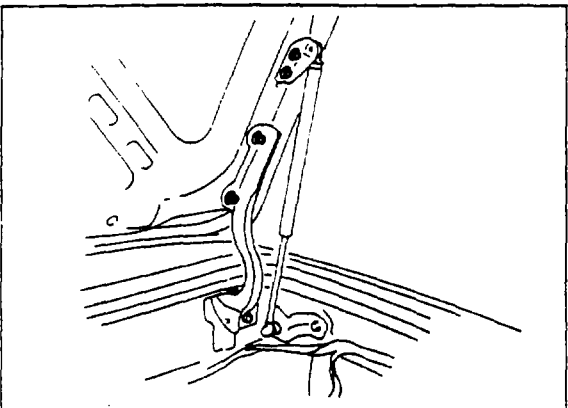
1. Disconnect the trunk lid key cylinder switch connector.
2. Remove the opening rod.
3. Remove the bolts, then remove the trunk lid key cylinder.



87U14X-009

### Removal of Wire Harness

1. Remove the lock striker and the lock reinforcement attaching bolts, then remove the lock striker and the lock reinforcement.
2. Disconnect the connectors of the luggage compartment light and the high mounted stop light.
3. Remove the wire harness.



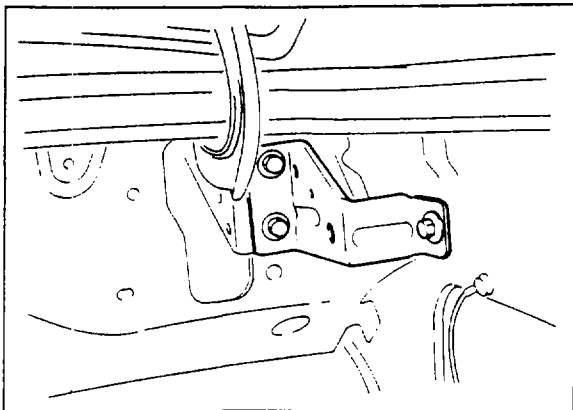
87U14X-010

### Removal of Trunk Lid

1. Remove the damper stay installation bolts.
2. Remove the trunk lid installation nuts, then remove the trunk lid.

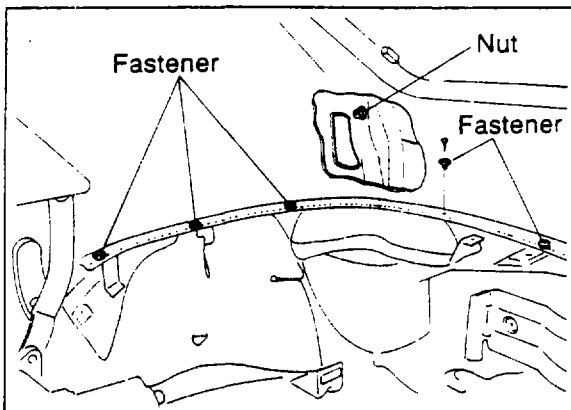


# 14 TRUNK LID



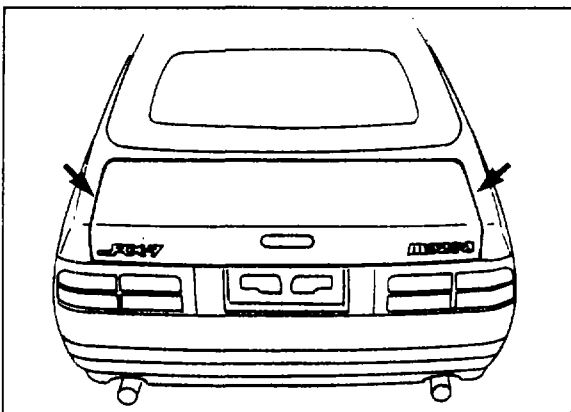
87U14X-011

3. Remove the damper stay bracket installation bolts, then remove the damper stay bracket.



87U14X-012

4. Remove the scuff plate and the quarter trim attaching screws, then remove the quarter trim.
5. Remove the headliner attaching fasteners (5) shown in the figure.
6. Remove the trunk lid hinge installation nut, then remove the trunk lid hinge.

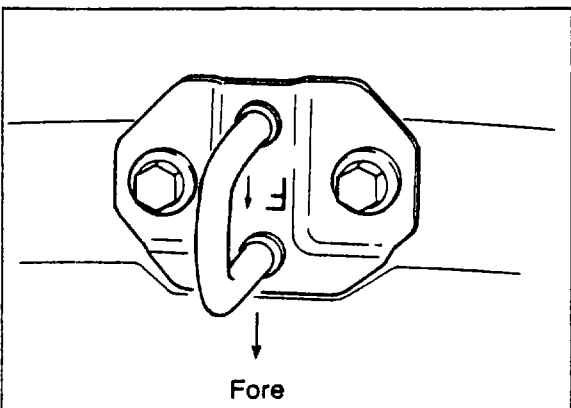


87U14X-013

## ADJUSTMENT

### Trunk Lid

1. Align the trunk lid as shown in the figure.



87U14X-014

### Trunk Lid Striker

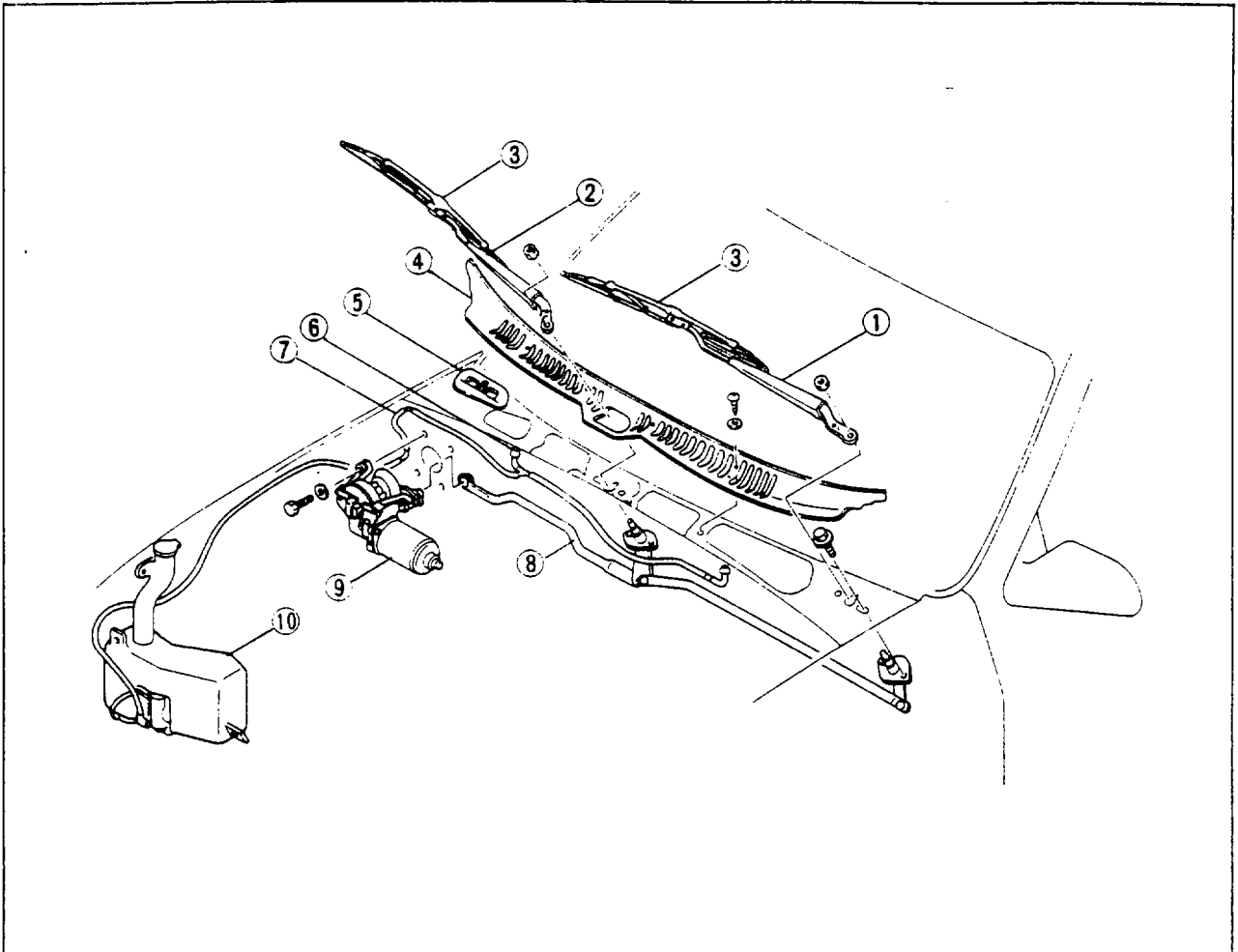
1. The striker can be adjusted forward or rearward by loosening the attaching bolts.

#### Note

The strikers are directional, having an "F" mark on them, indicating the front of the vehicle.

## WINDSHIELD WIPER

### STRUCTURAL VIEW

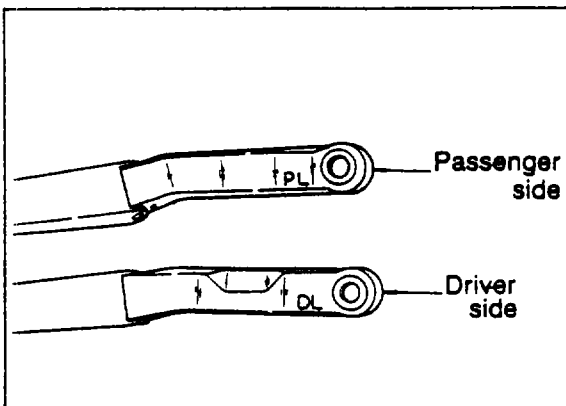


87U14X-015

- |                                     |                       |                   |
|-------------------------------------|-----------------------|-------------------|
| 1. Wiper arm (for driver's side)    | 4. Cowl grille        | 8. Link assembly  |
| 2. Wiper arm (for passenger's side) | 5. Service hole cover | 9. Motor assembly |
| 3. Wiper blade                      | 6. Washer nozzle      | 10. Washer tank   |
|                                     | 7. Washer hose        |                   |

#### Note

The two wiper arms are not interchangeable.



67U14X-033

#### REMOVAL

1. Disconnect the negative battery cable.
2. Remove the wiper arms.

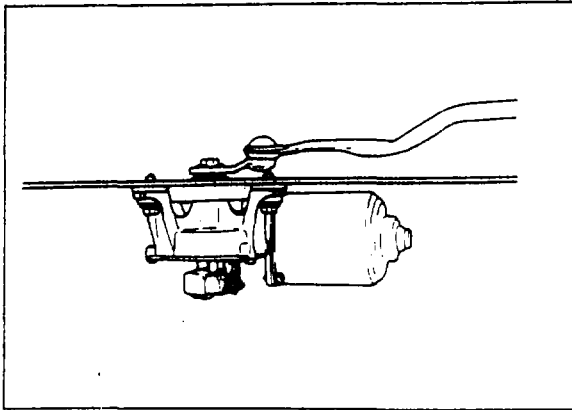
#### Note

The two wiper arms are identified by the marks on arms.

Mark "DL": for driver's side

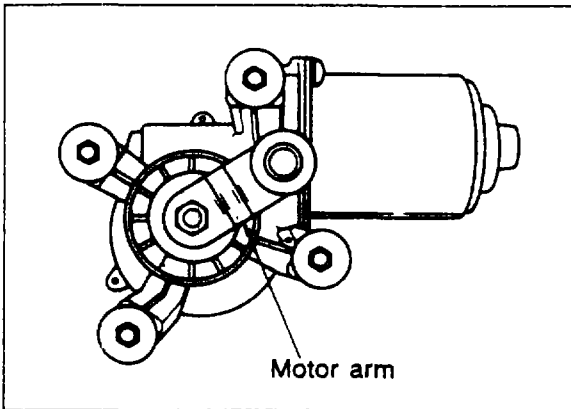
Mark "PL": for passenger's side

# 14 WINDSHIELD WIPER



67U14X-034

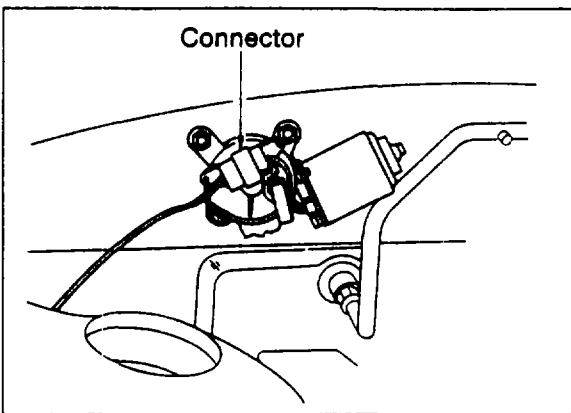
3. Remove the cowl grille.
4. Disconnect the wiper link at the motor side.



67U14X-035

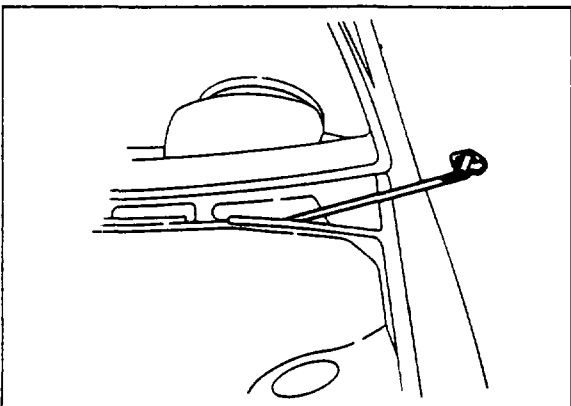
### Caution

Do not remove the motor arm unless it is necessary, as the motor arm position to the motor shaft decides the automatic stop position (lowest position of the wiper arm).



67U14X-036

5. Disconnect the wiring connector.
6. Remove the wiper motor.

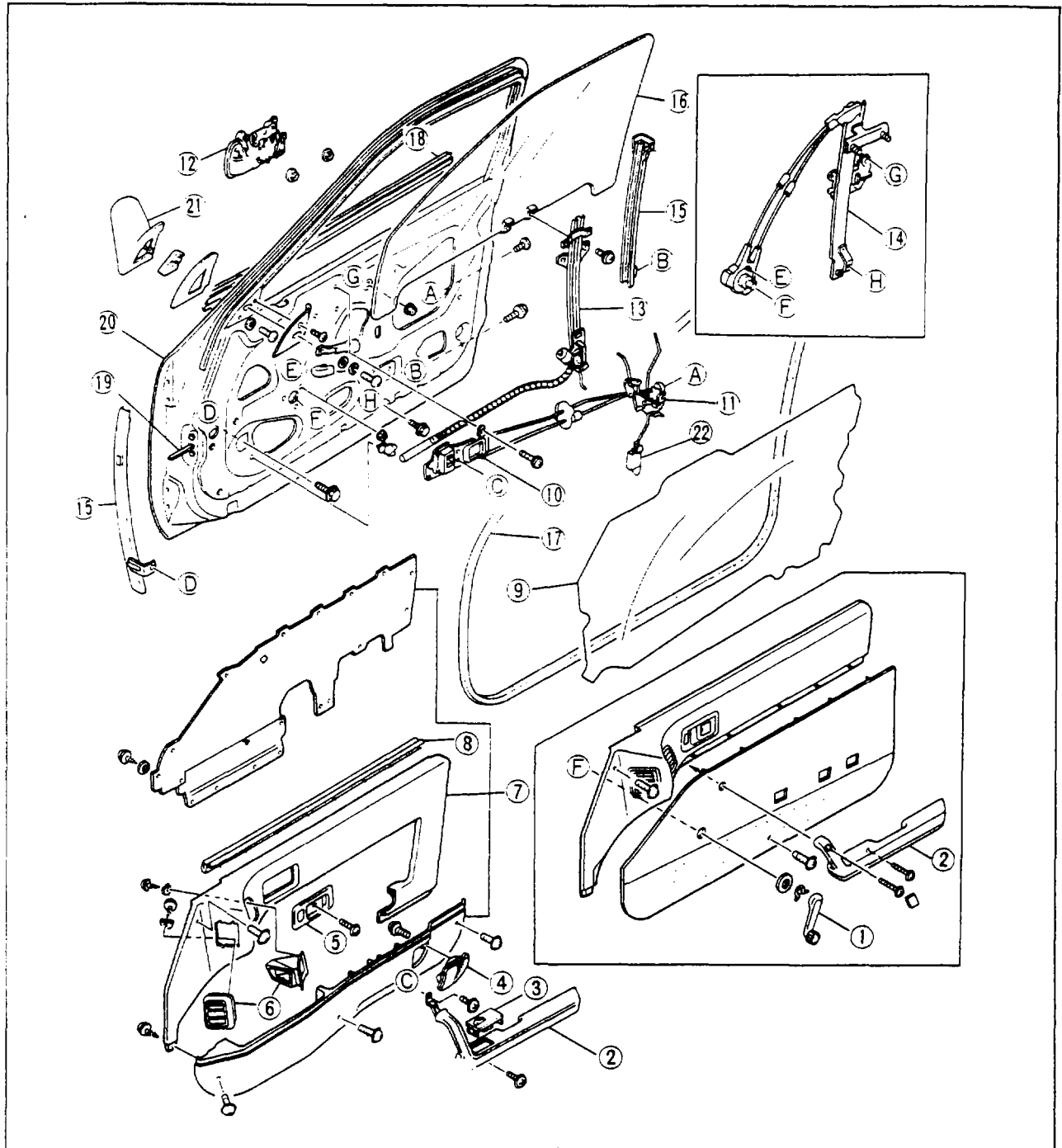


67U14X-037

7. Remove the wiper link unit attaching bolts.
8. Take the wiper link unit out from the left side (driver's side) service hole.

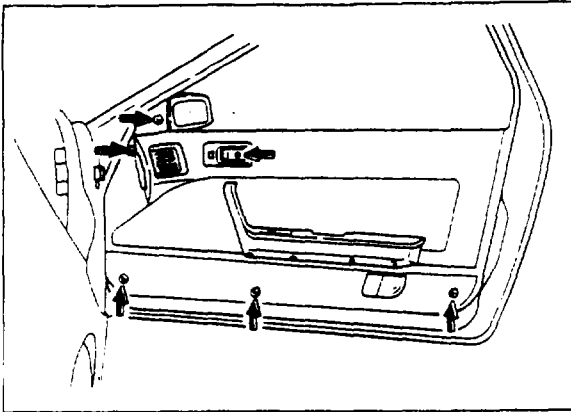
DOOR

STRUCTURAL VIEW (COUPE)



87U14X-016

- |                                      |                             |                          |
|--------------------------------------|-----------------------------|--------------------------|
| 1. Regulator handle<br>(manual type) | 8. Weatherstrip (inner)     | 16. Glass                |
| 2. Arm rest                          | 9. Door screen              | 17. Weatherstrip         |
| 3. Power window switch               | 10. Inner handle            | 18. Weatherstrip (outer) |
| 4. Courtesy light lens               | 11. Door lock assembly      | 19. Door checker         |
| 5. Inner handle cover                | 12. Outer handle            | 20. Door                 |
| 6. Door ventilation grille           | 13. Regulator (power type)  | 21. Door mirror          |
| 7. Door trim                         | 14. Regulator (manual type) | 22. Door lock actuator   |
|                                      | 15. Glass guide             |                          |

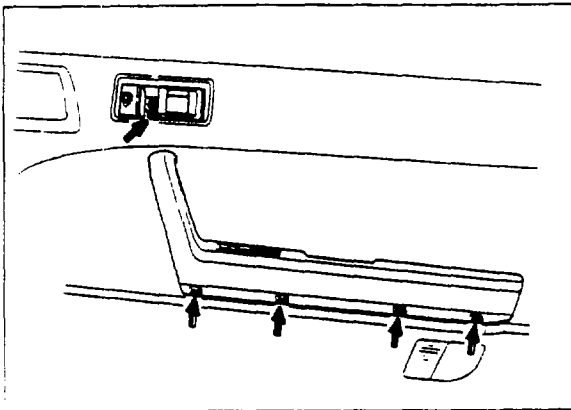


## REMOVAL OF DOOR GLASS AND REGULATOR (POWER WINDOW TYPE)

1. Remove the door mirror.
2. Remove the inner handle cover.
3. Remove the door trim attaching screws.

### Note

For manual regulator type, remove the regulator handle.

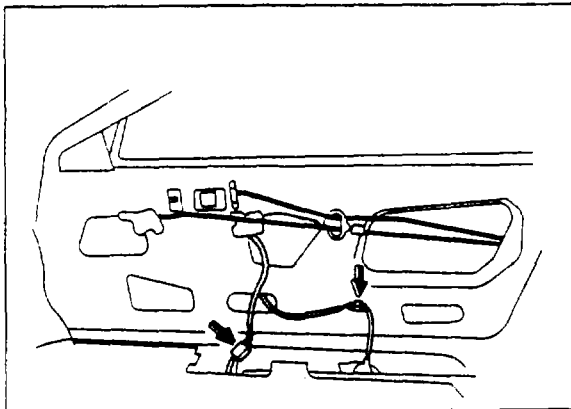


4. Remove the arm rest attaching screws (5).

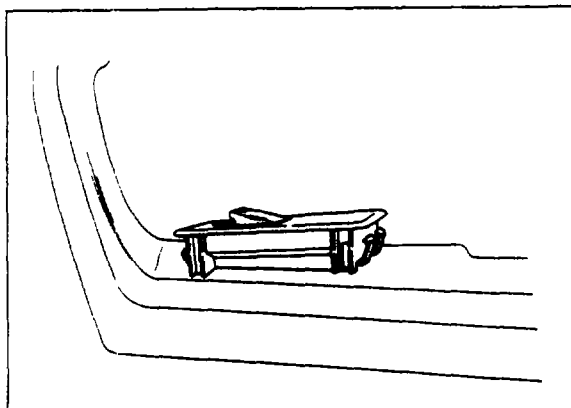
### Note

The arm rest cannot be removed even after the screws are removed, as the arm rest is fastened to the door trim.

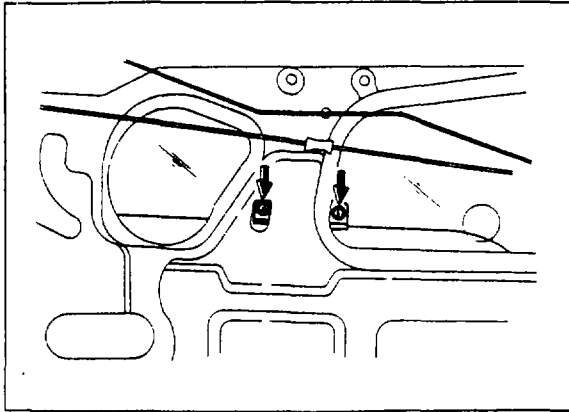
5. Pull the lower portion of the door trim out, and then lift upward.



6. Detach the door trim from the door.
7. Disconnect the connectors of the courtesy light and the power window switch.
8. Remove the door screen.



9. Remove the outer weatherstrip.
10. Remove the power window switch from the door trim.
11. Connect the power window switch connector.



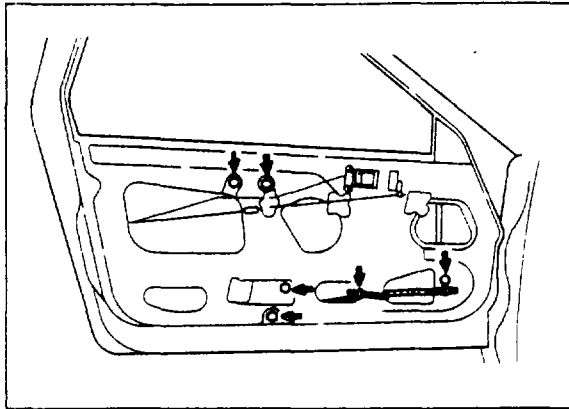
67U14X-043

12. Position the glass attaching bolts at the service holes by operating the power window switch.
13. Disconnect the negative battery cable.

**Note**

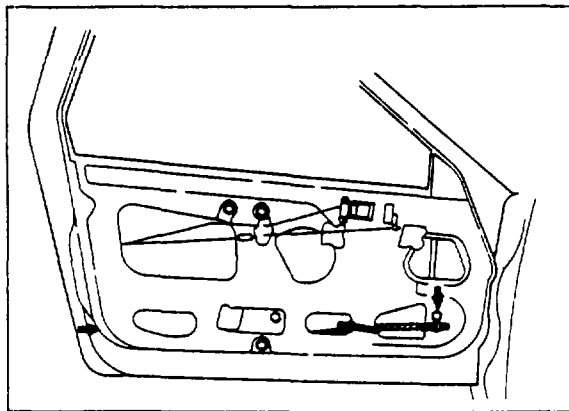
**For manual regulator type, use the regulator handle to move the glass.**

14. Remove the glass attaching bolts, and then remove the glass.



67U14X-044

15. Disconnect the power window switch connector.
16. Loosen the ball hose holding bands.
17. Remove the window regulator attaching bolts, and then remove the window regulator.



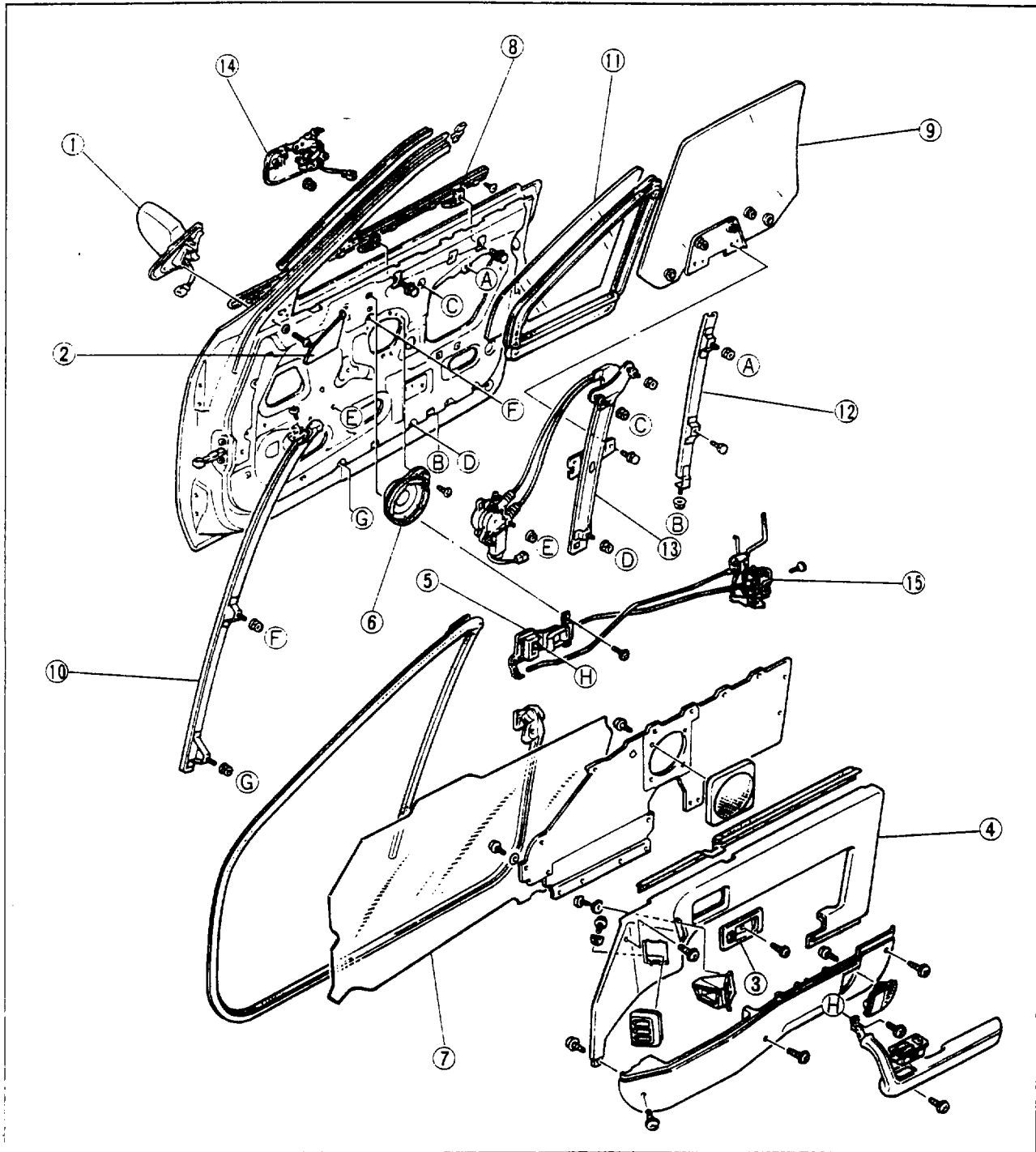
67U14X-045

**ADJUSTMENT**

Adjust the positions of the regulator and glass guides by loosening the attaching bolt so that the glass runs smoothly, and then retighten.

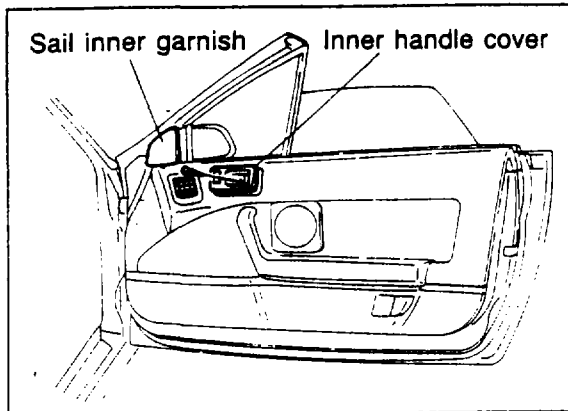
# 14 DOOR

## STRUCTURAL VIEW (CONVERTIBLE)



87U14X-018

- |                       |                      |                   |
|-----------------------|----------------------|-------------------|
| 1. Door mirror        | 6. Speaker           | 11. Quarter glass |
| 2. Sail inner garnish | 7. Door screen       | 12. Sub-guide     |
| 3. Inner handle cover | 8. Upper stopper     | 13. Regulator     |
| 4. Door trim          | 9. Door glass        | 14. Outer handle  |
| 5. Inner handle       | 10. Division channel | 15. Door lock     |

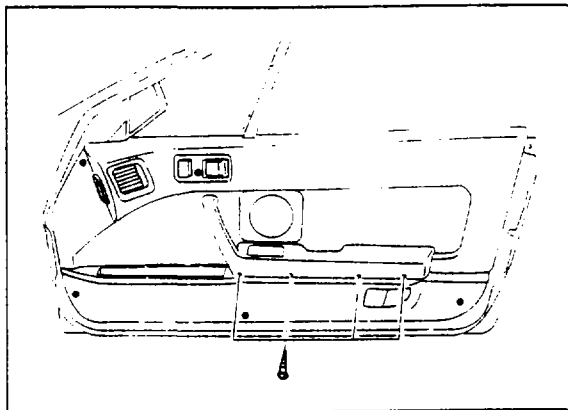


87U14X-019

## REMOVAL

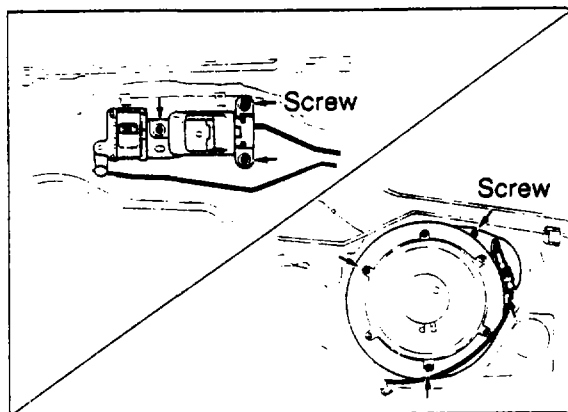
### Removal of Door Trim

1. Remove the sail inner garnish.
2. Remove the screws and remove the inner handle cover.



87U14X-020

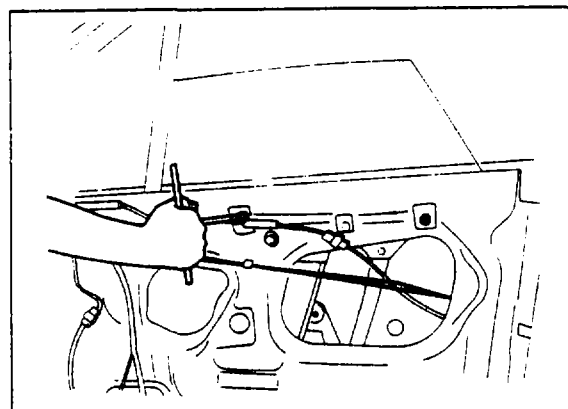
3. Remove the screws and fasteners, then remove the door trim.
4. Disconnect the power window switch and courtesy light connectors.



87U14X-021

### Removal of Door Glass

5. Connect the power window switch, then raise the door glass 230 mm (9.06 in) from the fully open position.
6. Disconnect the battery negative cable and power window switch connector.
7. Remove the inner handle.
8. Disconnect the speaker connector, then remove the speaker.

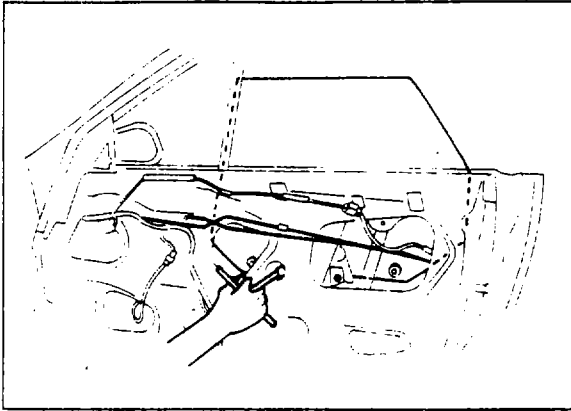


87U14X-022

9. Remove the nuts, then remove the upper stopper.
10. Remove the weatherstrip.

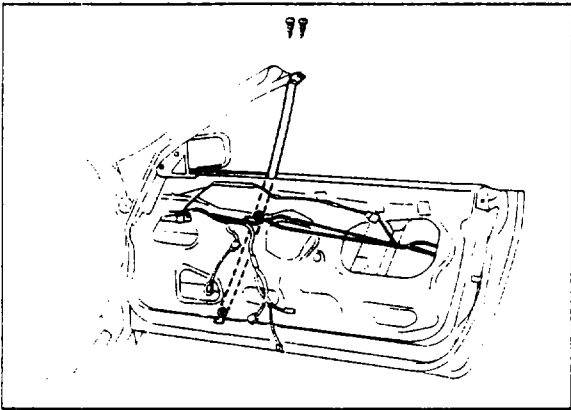


# 14 DOOR



87U14X-023

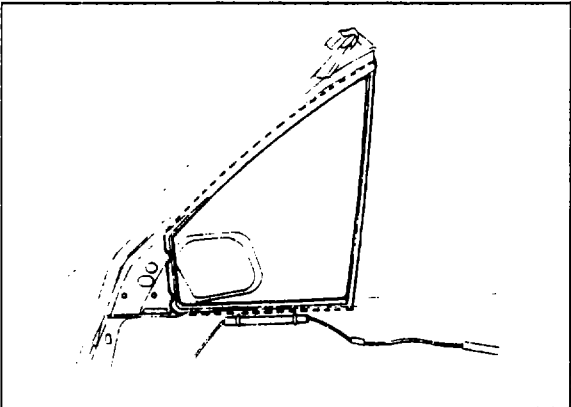
11. Remove the glass attaching bolts.
12. Remove the door glass upward.



87U14X-024

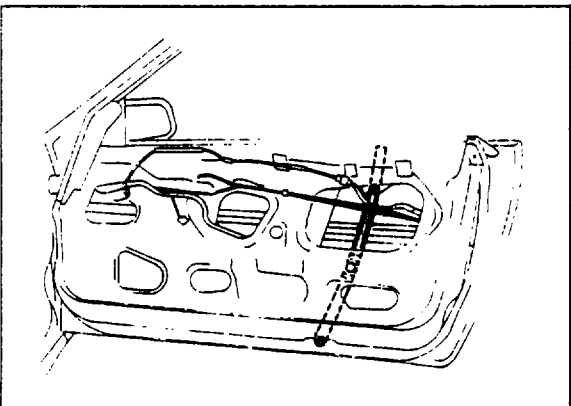
## Removal of Quarter Glass

13. Remove the division channel installation screws and bolts, then remove the division channel.



87U14X-025

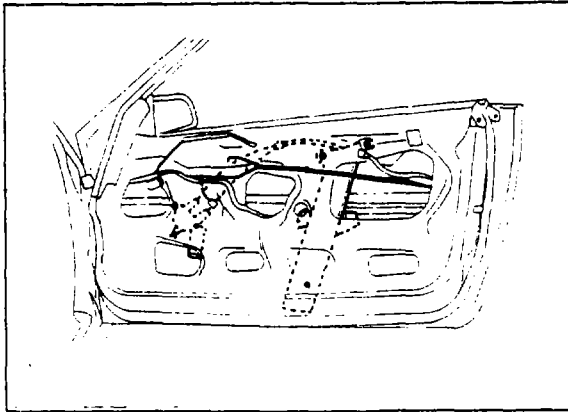
14. Detach the weatherstrip of the quarter glass from the corner bracket.
15. Remove the quarter glass backward.



87U14X-026

## Removal of Sub-guide

16. Remove the sub-guide installation nuts, then remove the sub-guide.



87U14X-027

### Removal of Regulator

17. Disconnect the power window motor connector.
18. Remove the bolts and nuts, then remove the regulator.

### ADJUSTMENT

#### Adjustment of Door Glass

1. Close the door glass completely, and then adjust as described below.

**Door glass upper side**

15 (0.59)      30 (1.18)

Fore ←      A      B

**Door glass rear side**

12 (0.47)      C

20 (0.79)      D

30 (1.18)      E

Forming bar retainer

Door glass

Forming bar retainer

**Door glass upper side**

15 (0.59)      30 (1.18)

Fore ←      A      B

Roof panel retainer

Roof panel retainer

Door glass

	a	b
A	7.5 ± 1.5 (0.25 ± 0.06)	12.9 ± 1.5 (0.51 ± 0.06)
B	7.5 ± 1.5 (0.25 ± 0.06)	12.7 ± 1.5 (0.50 ± 0.06)

	c	d
C	2.0 ± 1.5 (0.08 ± 0.06)	14.1 ± 1.5 (0.56 ± 0.06)
D	2.5 ± 1.5 (0.10 ± 0.06)	14.2 ± 1.5 (0.56 ± 0.06)
E	3.0 ± 1.5 (0.12 ± 0.06)	14.3 ± 1.5 (0.56 ± 0.06)

**Installation of glass stopper**

Door glass

Door inner panel

Upper stopper

Glass stopper

**Installation of regulator and sub-guide**

Regulatr, Sub-guide

Door inner panel

Plate

Lock nut

Adjusting bolt

Plate

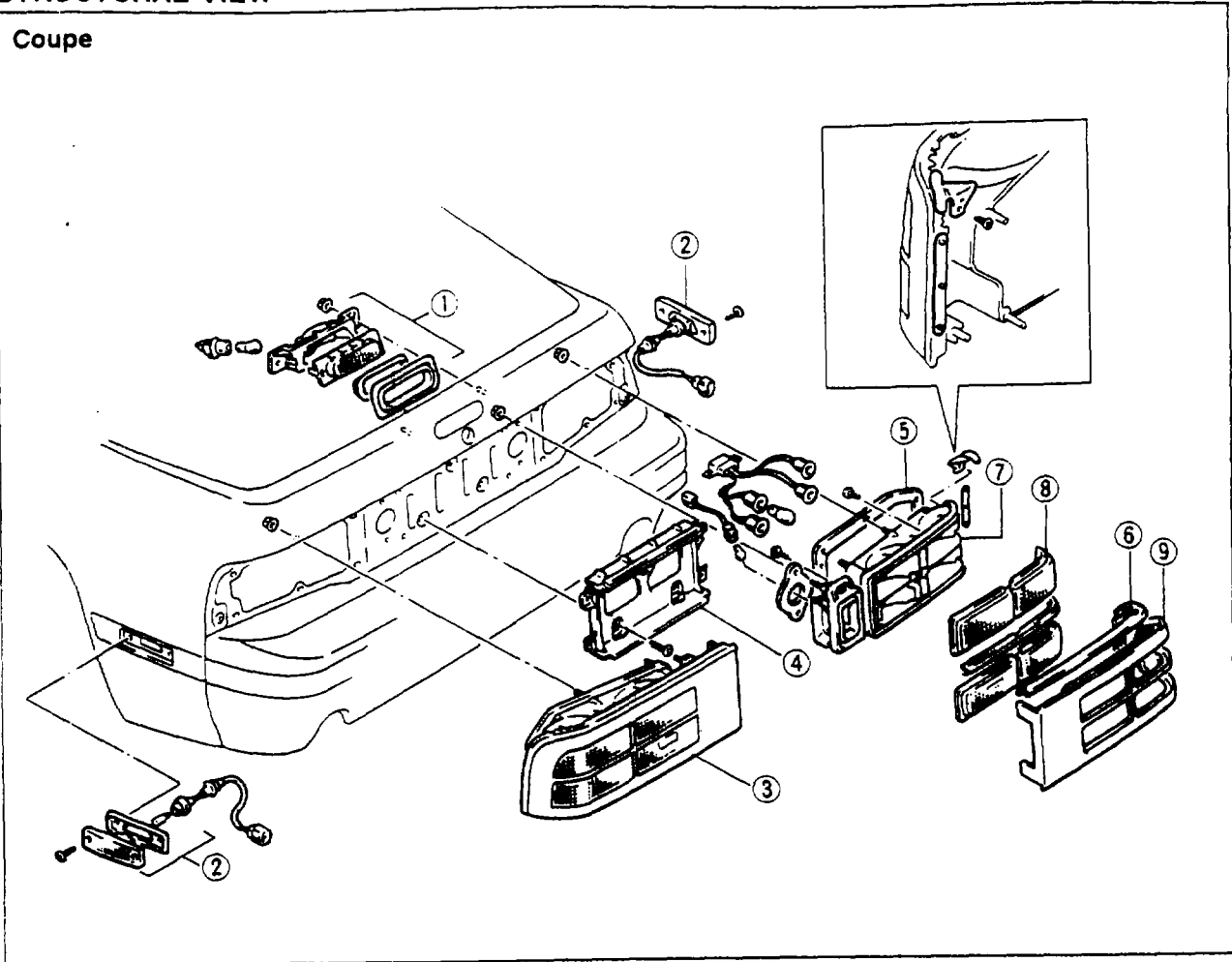
87U14X-028

# 14 REAR COMBINATION LIGHT, SIDE MARKER LIGHT, AND HIGH MOUNTED STOP LIGHT

## REAR COMBINATION LIGHT, SIDE MARKER LIGHT, AND HIGH MOUNTED STOP LIGHT

### STRUCTURAL VIEW

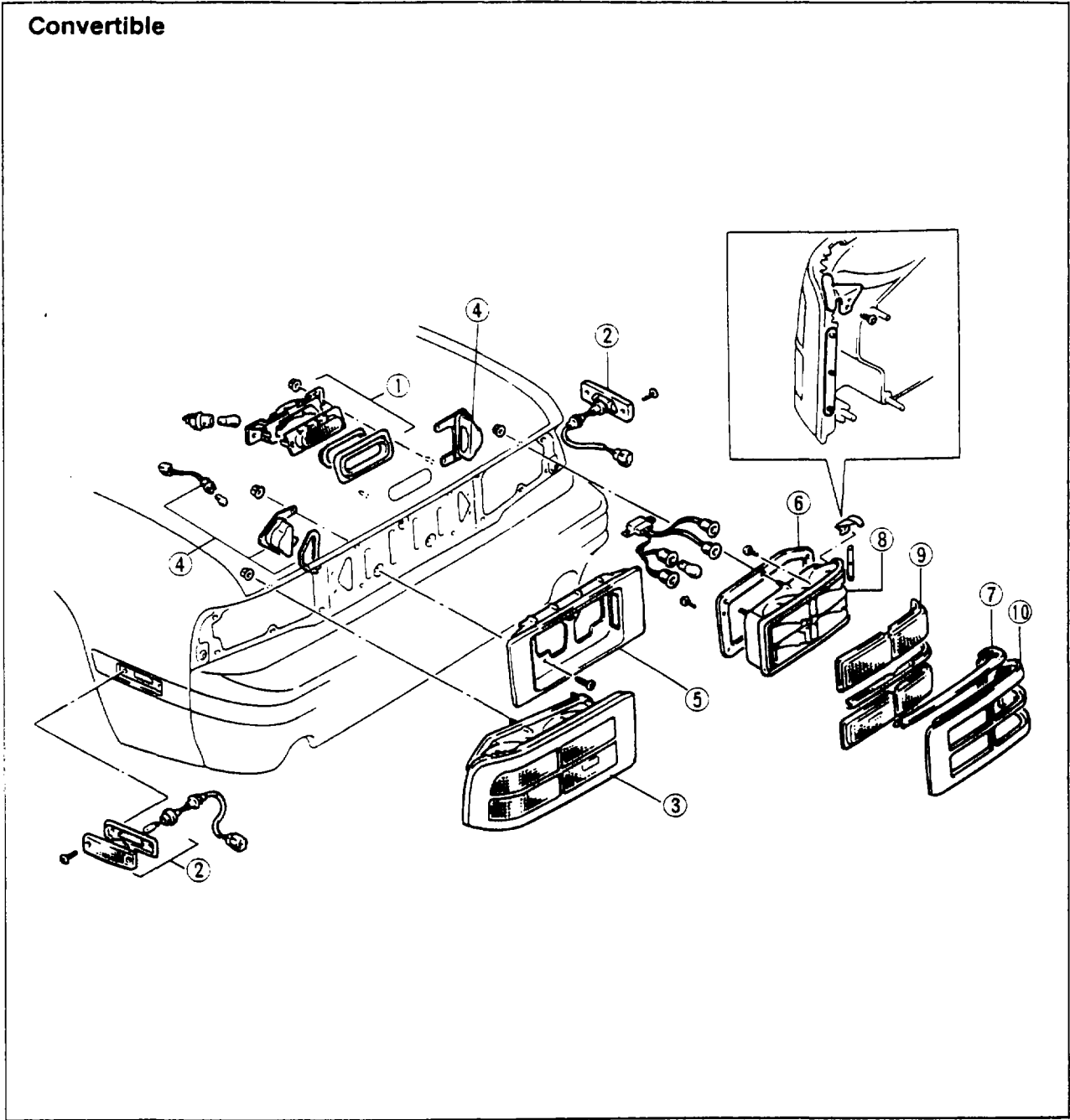
Coupe



87U14X-029

- |                                  |            |                  |
|----------------------------------|------------|------------------|
| 1. High mounted stop light bulb: | 27 w       | 4. Rear finisher |
| 2. Rear side marker light bulb:  | 3.8 w      | 5. Gasket        |
| 3. Rear combination light bulbs: |            | 6. Packing       |
| Back-up light                    | 27 w       | 7. Light housing |
| Stop/Tail light                  | 27/8 w x 2 | 8. Lens          |
| Turn signal light                | 27 w       | 9. Rim           |
| License plate light              | 7.5 w      |                  |

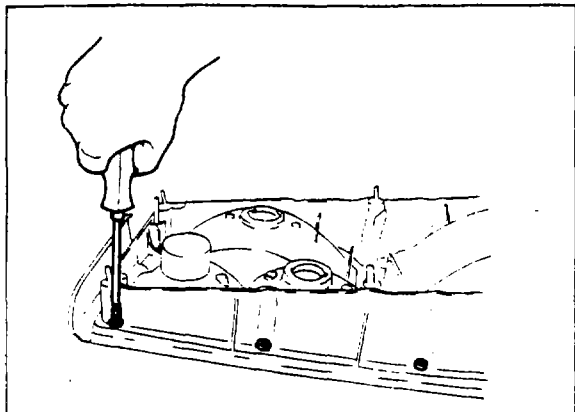
Convertible



B7U14X-030

- |  |            |                  |
|--|------------|------------------|
| 1. High mounted stop light bulb:               | 27 w       | 5. Rear finisher |
| 2. Rear side marker light bulb:                | 3.8 w      | 6. Gasket        |
| 3. Rear combination light bulbs: Back-up light | 27 w       | 7. Packing       |
| Stop/Tail light                                | 27/8 w x 2 | 8. Light housing |
| 4. License plate light bulb:                   | 7.5 w      | 9. Lens          |
|  |            | 10. Rim          |

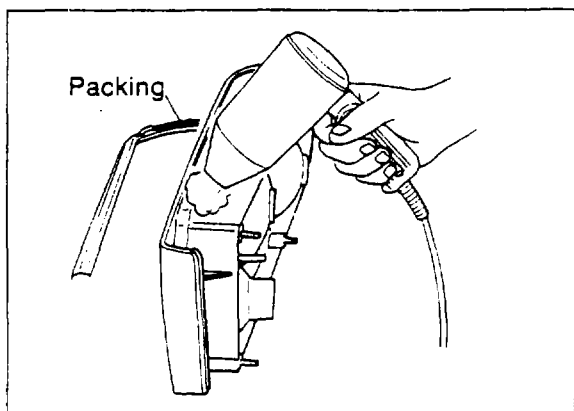
# 14 REAR COMBINATION LIGHT, SIDE MARKER LIGHT, AND HIGH MOUNTED STOP LIGHT



67U14X-047

## REPLACEMENT OF COMBINATION LIGHT LENS

1. Remove the body attaching screws.

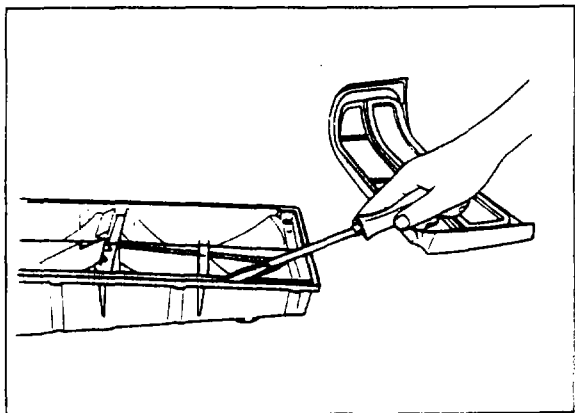


87U14X-149

2. Remove the packing.

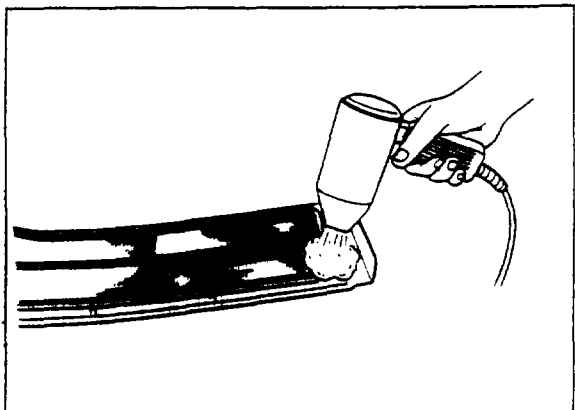
3. Soften the "hot melt" (bonding agent) between the light housing and the rim using a blow dryer.

4. Pry apart the light housing and the rim starting at the corner.



67U14X-049

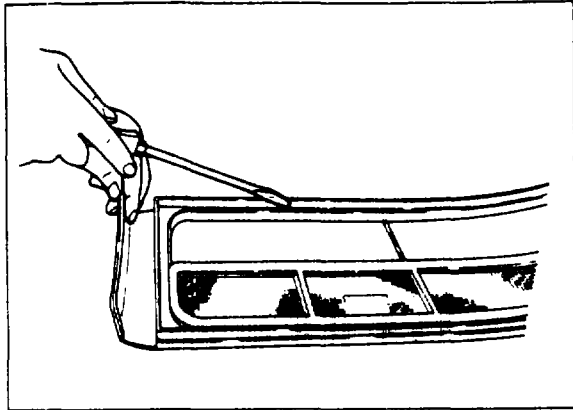
5. While heating the light housing, remove the "hot melt" if it is not going to be reused.



87U14X-150

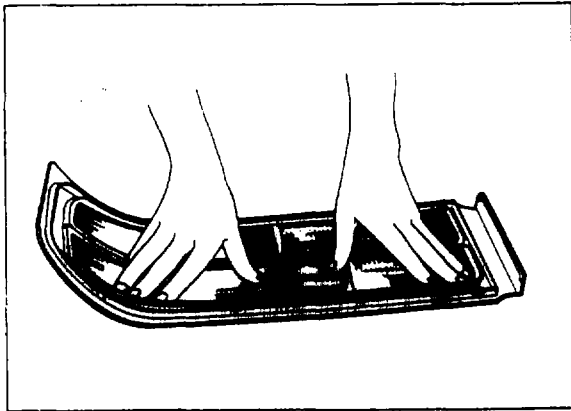
6. Soften the "hot melt" between the lens and the rim using a blow dryer.

7. Pry apart the lens and rim, starting at the corner.



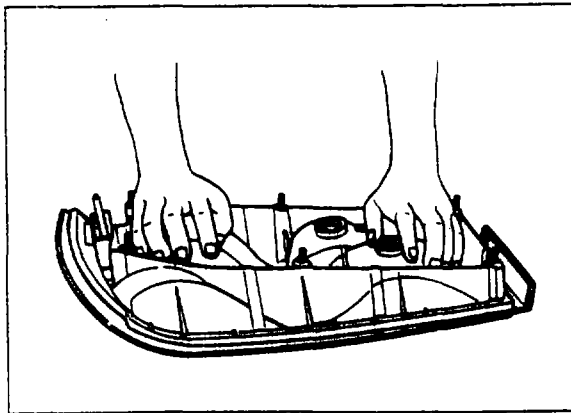
67U14X-051

8. While heating the rim, remove the hot melt if it is not going to be reused.



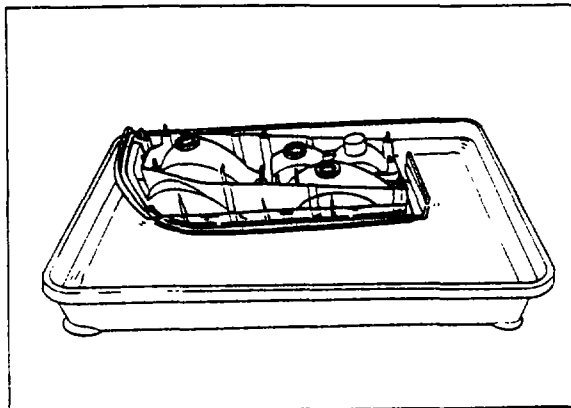
67U14X-052

9. Apply **Uni-sealer** (8531 77 739) in the rim groove (if the "hot melt" was removed).  
10. Fit the new lens to the rim and press the lens so that it will adhere.



67U14X-053

11. Apply **Uni-sealer** (8531 77 739) in the light housing groove (if the "hot melt" was removed).  
12. Fit the light housing to the rim and press the housing so that it will adhere.  
13. Fix the light housing to the rim using the screws.



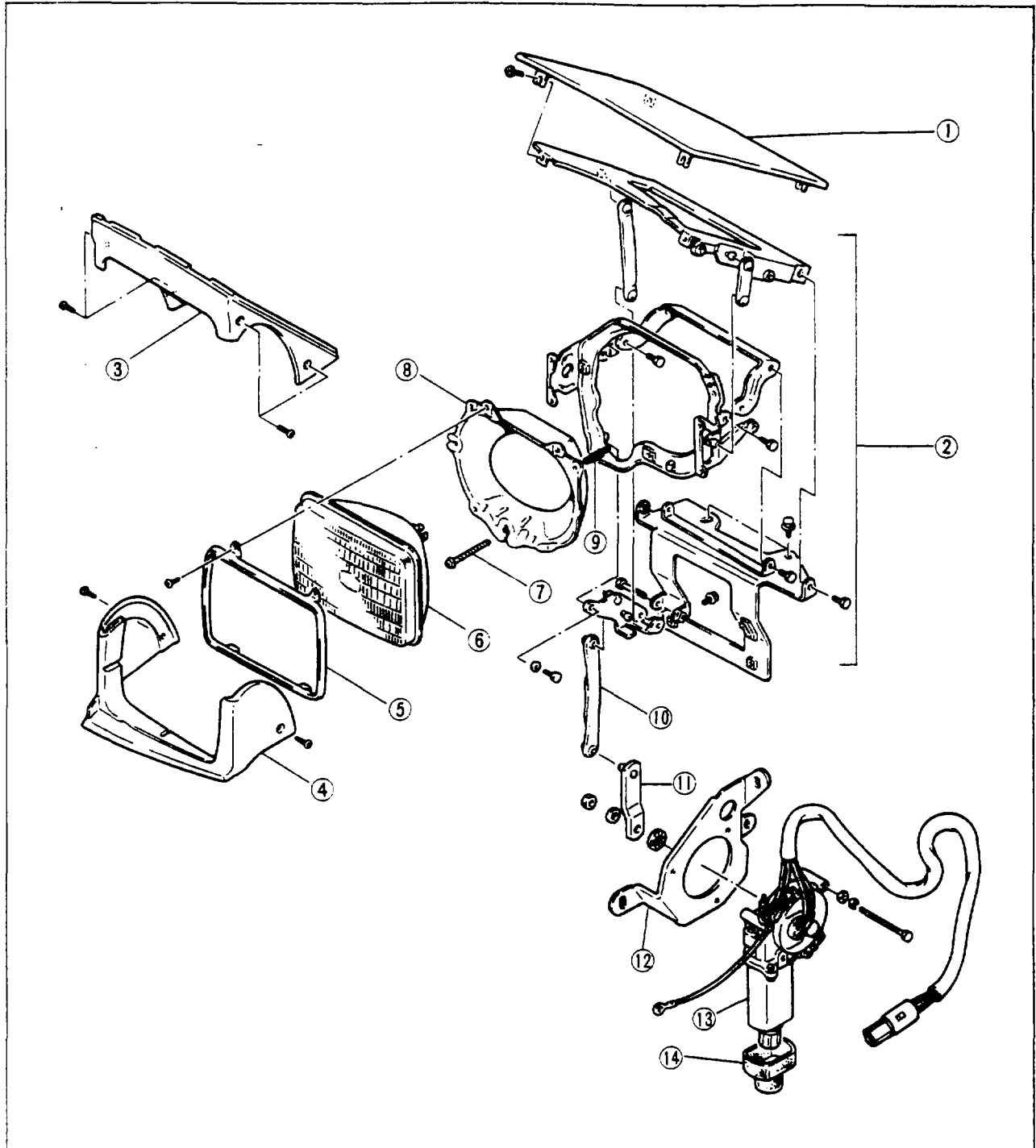
67U14X-054

14. Check for water leakage after assembling.  
15. Install the packing.

# 14 RETRACTABLE HEADLIGHT

## RETRACTABLE HEADLIGHT

### STRUCTURAL VIEW

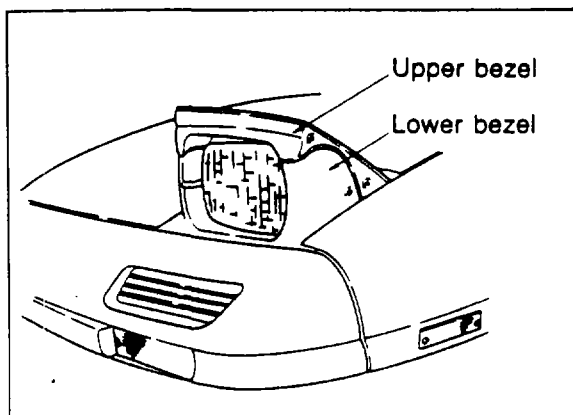


87U14X-031

- 1. Headlight lid
- 2. Retractor hinge unit
- 3. Upper bezel
- 4. Lower bezel
- 5. Retaining ring

- 6. Headlight bulb
- 7. Adjusting screw
- 8. Lamp bezel
- 9. Spring
- 10. Motor link

- 11. Motor arm
- 12. Motor bracket
- 13. Retractor motor
- 14. Rubber cap



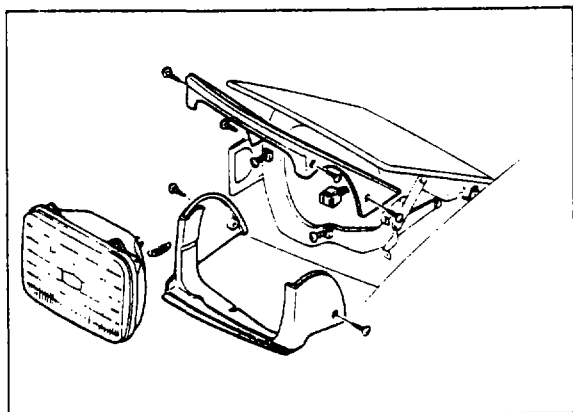
67U14X-071

## REPLACEMENT OF HEADLIGHT BULB

1. Raise the headlight.
2. Disconnect the negative battery cable.
3. Remove the upper bezel and lower bezel of the headlight.

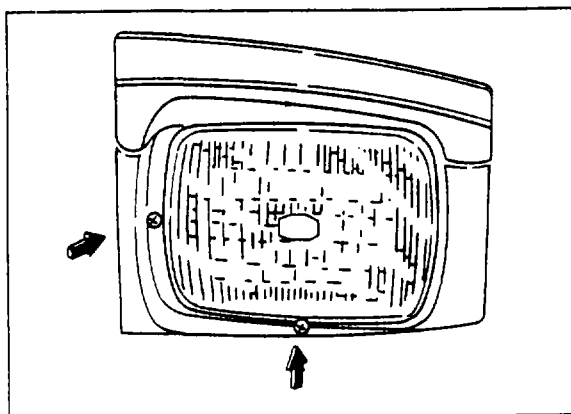
### Warning

**Disconnect the negative battery cable to prevent accidental lowering of the headlight and possible personal injury while work is being performed.**



67U14X-072

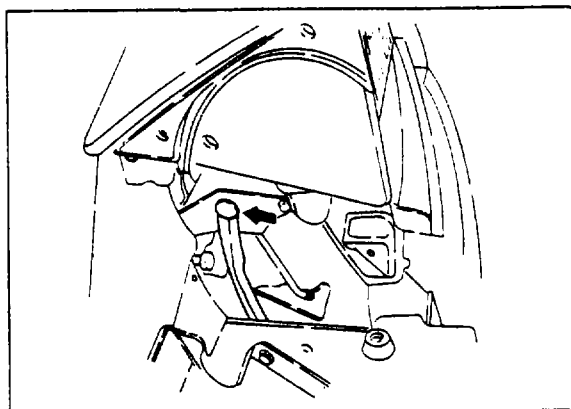
4. Disconnect the light connector.
5. Remove the bulb attaching screws and replace the bulb.



87U14X-151

## ADJUSTMENT OF HEADLIGHT AIM

1. Raise the headlight.
2. Adjust the headlight aim to local regulations by turning the adjusting screws.



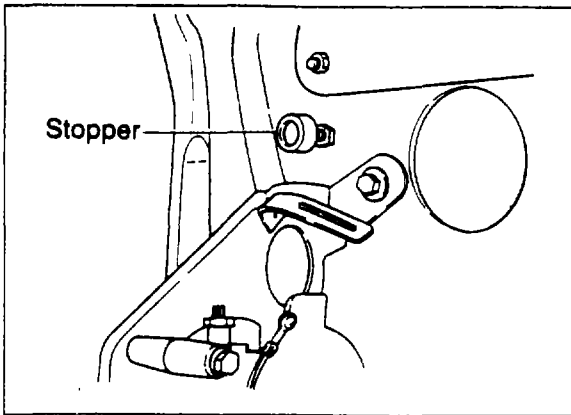
67U14X-074

## ADJUSTMENT OF HEADLIGHT HINGE

1. Disconnect the motor link.

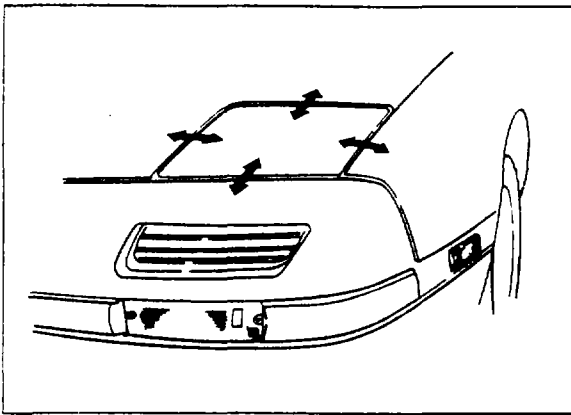


# 14 RETRACTABLE HEADLIGHT



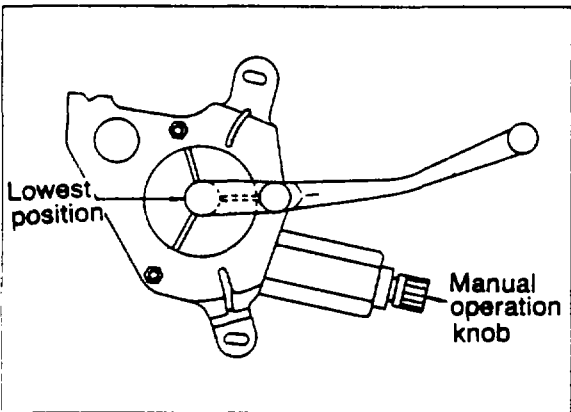
67U14X-075

2. Lower the retractor hinge until the hinge is stopped by the stopper.



67U14X-076

3. Adjust the stopper so that the headlight lid is flush with the fender and the hood.



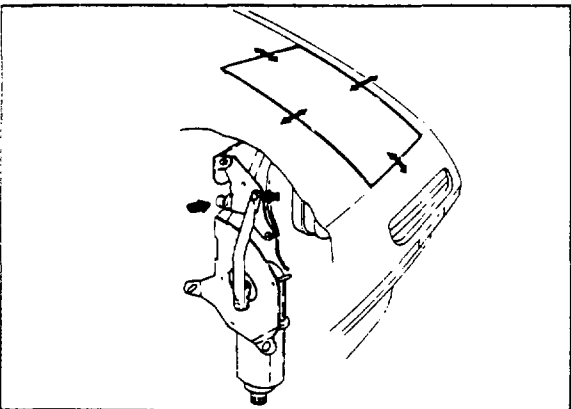
67U14X-077

## ADJUSTMENT OF RETRACTOR MOTOR POSITION

1. Remove the front soft fascia.
2. Lower the retractor hinge until the hinge is stopped by the stopper.
3. Remove the motor assembly.
4. Adjust the motor arm position by turning the manual operation knob so that the motor arm is in its lowest position as shown in the figure.

### Caution

**Do not remove the motor arm from the shaft, as doing so may cause incorrect automatic stop operation.**



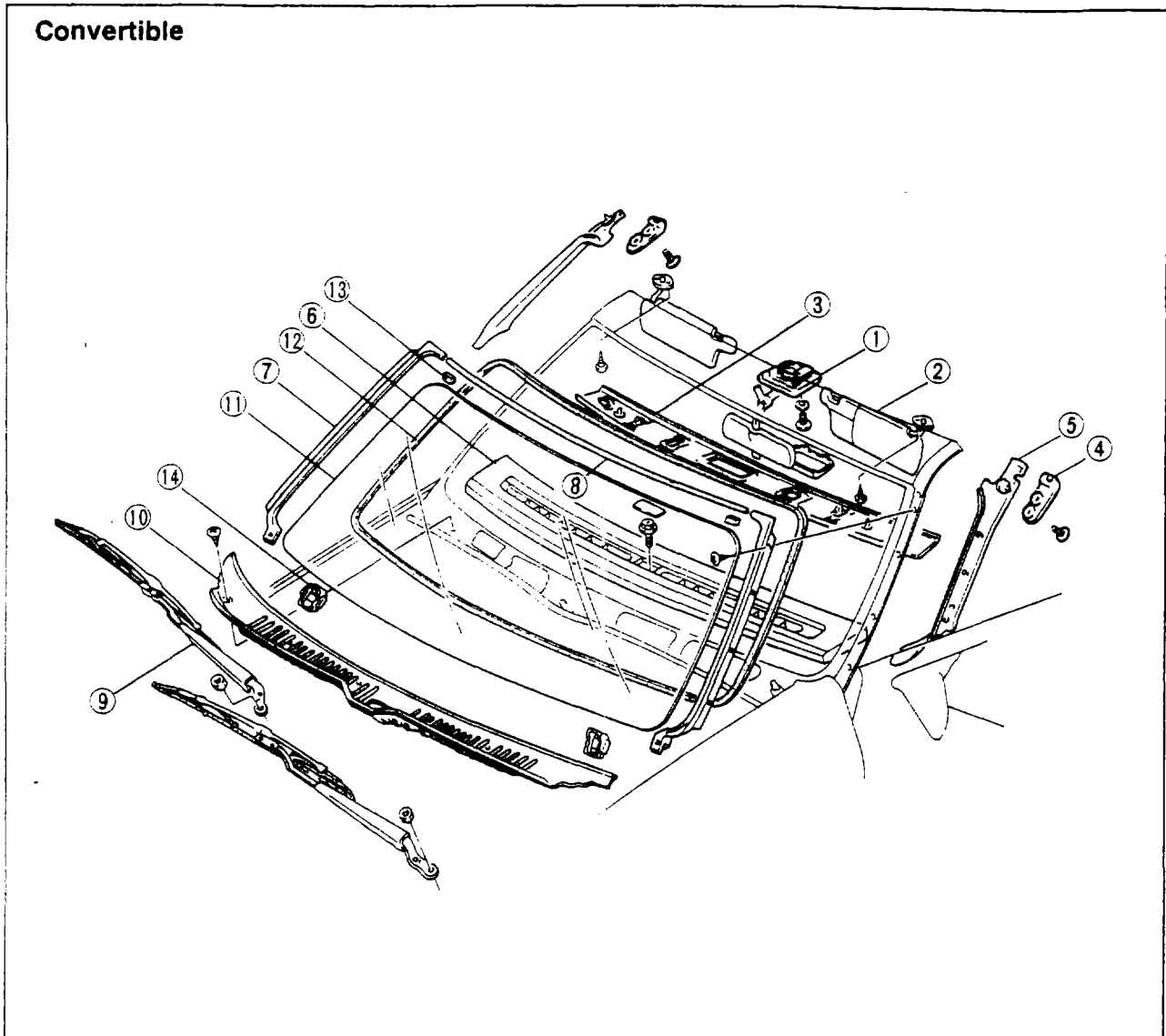
67U14X-078

5. Check that the retractor hinge is against the stopper and the headlight lid is flush with the fender and the hood.
6. Connect the motor link to the hinge.
7. Mount the motor assembly to the body.



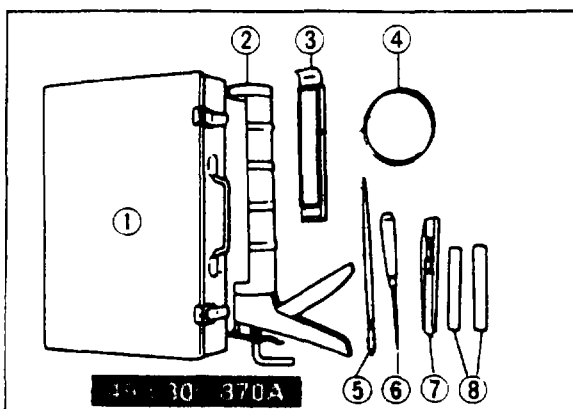
# 14 WINDSHIELD GLASS

## Convertible



87U14X-032

- |                      |                             |                      |
|----------------------|-----------------------------|----------------------|
| 1. Interior mirror   | 6. Instrument panel garnish | 11. Windshield glass |
| 2. Sunvisor (2)      | 7. Front pillar garnish     | 12. Dam              |
| 3. Front header trim | 8. Upper molding            | 13. Upper spacer (2) |
| 4. Top lock striker  | 9. Wiper arm                | 14. Lower spacer (2) |
| 5. Front pillar trim | 10. Cowl grille             |                      |



87U14X-033

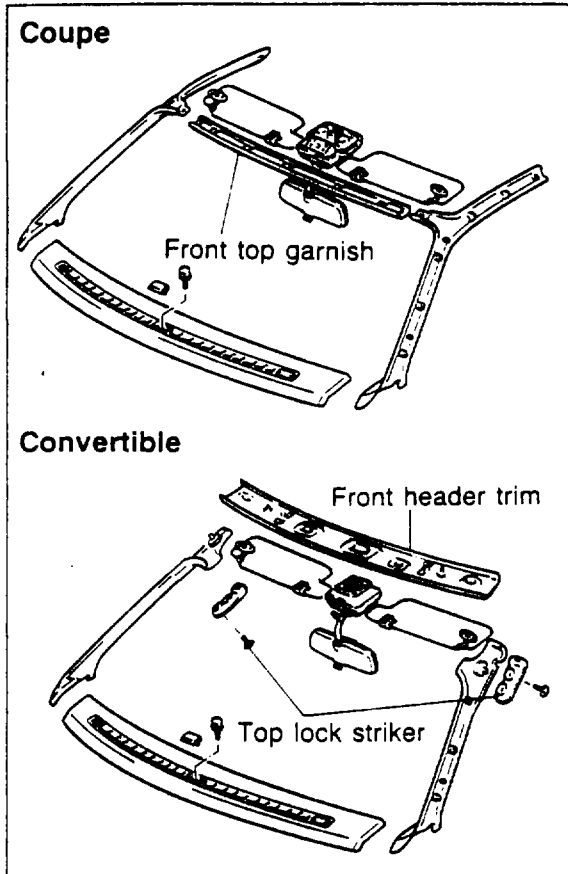
### REMOVAL

Use **SST** to remove and install the glass.

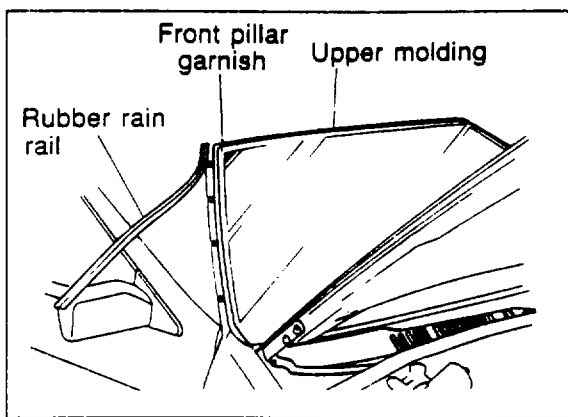
- |                   |         |
|-------------------|---------|
| ① Tool box        | ⑤ Brush |
| ② Sealant         | ⑥ Awl   |
| ③ Molding remover | ⑦ Knife |
| ④ Piano wire      | ⑧ Bars  |

Other necessary materials

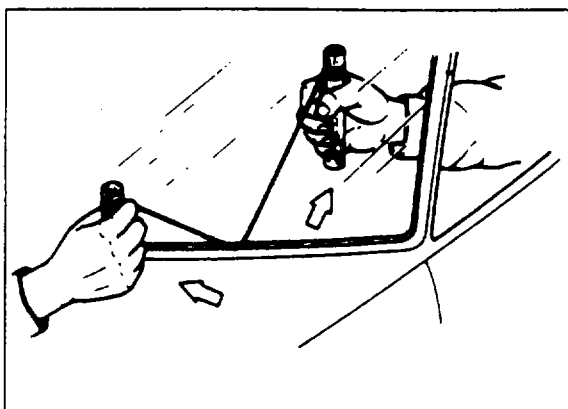
- a) **Repair seal** (B001 77 739), or equivalent  
 b) Dam



87U14X-034



87U14X-035



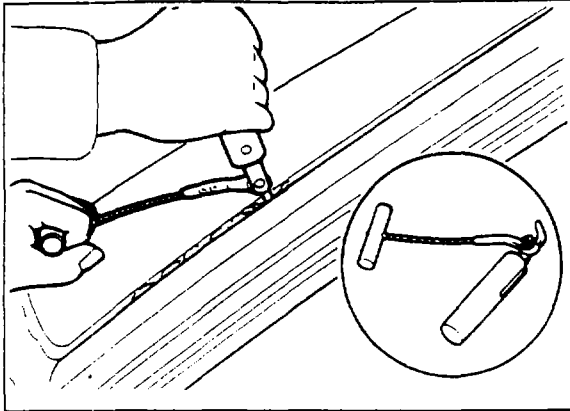
67U14X-083

1. Remove the interior mirror, sunvisor, and the top lock strikers (convertible).
2. Remove the front top garnish (coupe), the front header trim (convertible), the front pillar trims, and the instrument panel garnish.

3. Remove the front pillar garnish and the upper molding.
4. Remove the wiper arms and the cowl grille.

5. Make a hole in the sealant using the awl.
6. Pass the end of a piece of the piano wire through the hole, and attach a bar to each end.
7. Two people should hold the bars, one inside and one outside the vehicle, and then "saw" the sealant around the glass.
8. Remove the glass from the body.

# 14 WINDSHIELD GLASS

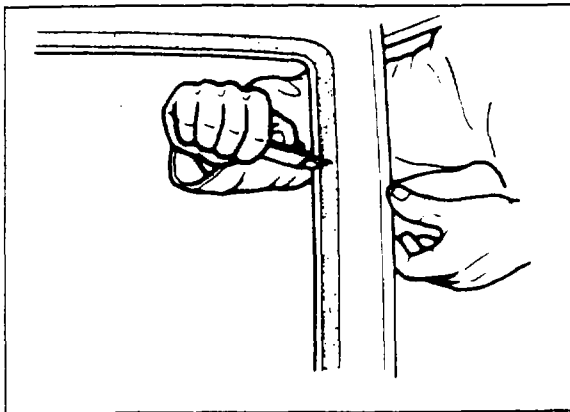


87U14X-152

## Note

- Cut along the border between the glass and the sealant.
- If too much heat develops, the piano wire may break, so cool it occasionally or do not work on one place too long.
- If the glass is not to be reused, a tool like that shown in the figure is faster than piano wire.

Insert the blade in the sealant, pull on the bars, and cut the sealant.



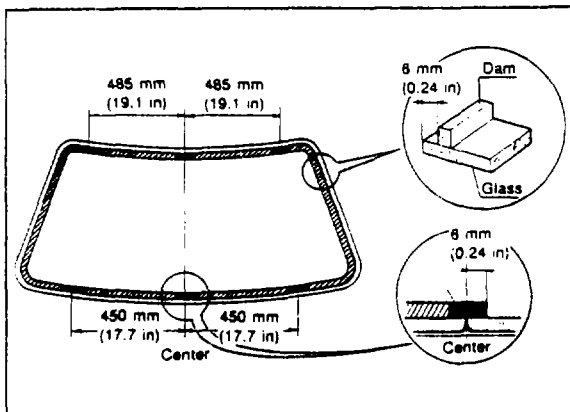
67U14X-085

## INSTALLATION

- Use the knife to trim the sealant on the body. Leave a layer of about 1 or 2 mm (0.04 to 0.08 in) thick.

## Note

If some of the sealant flakes off, use new sealant to patch it.

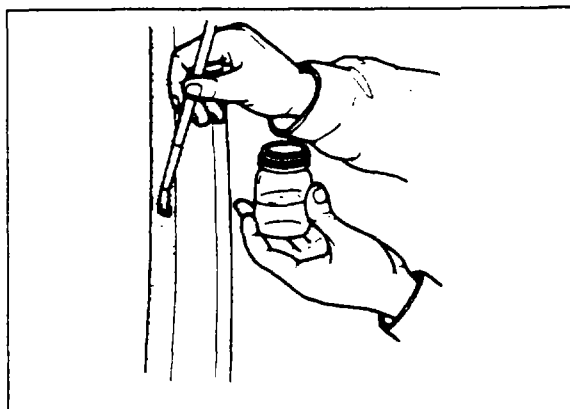


67U14X-086

- Carefully clean and remove any grease from a 5 cm (1.9 in) wide area around the perimeter of the glass and the remaining bond on the body.
- Attach the dam around the glass, about 5 mm (0.2 in) from the edge.

## Note

Be sure the dam is straight and set securely.

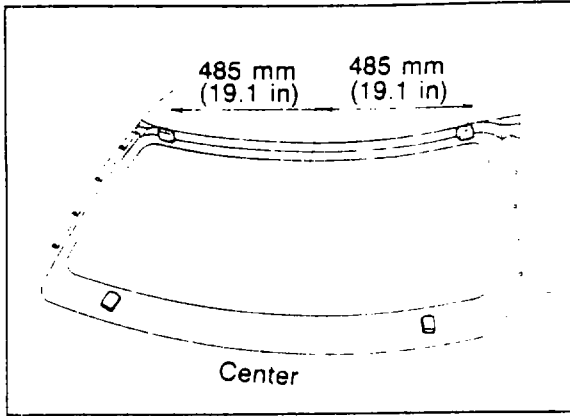


67U14X-087

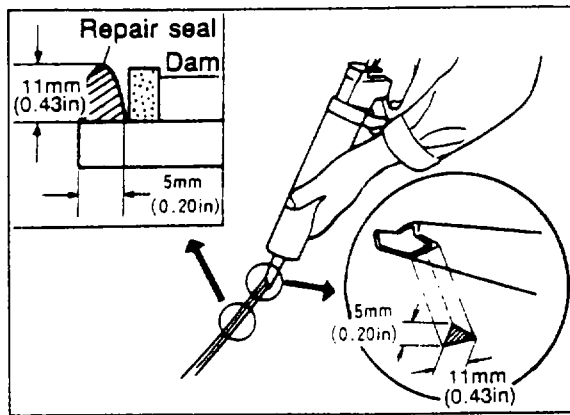
- Use the brush to apply a coat of primer to the adhesion surfaces around the glass and the body where the glass will adhere, and allow it to dry for 10 minutes or more.

## Note

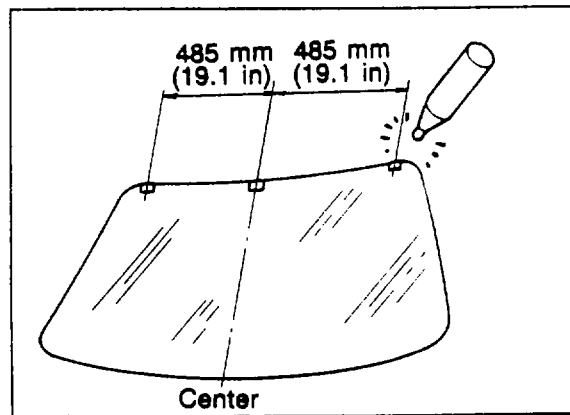
Be sure no dust, moisture, or grease gets on the coated surface, and do not touch the primer.



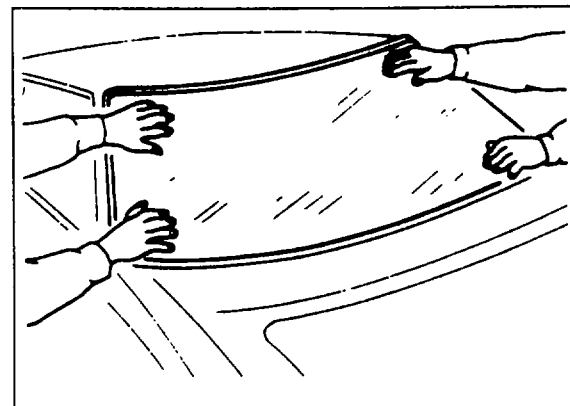
67U14X-088



67U14X-089



67U14X-090



67U14X-091

5. Attach the spacers where shown in the figure, using adhesive for the upper spacers and inserting the lower spacers.

6. After the primer dries, apply a bead of repair seal to a height of 11 mm (0.43 in) around the glass, using the sealant gun.

**Note**

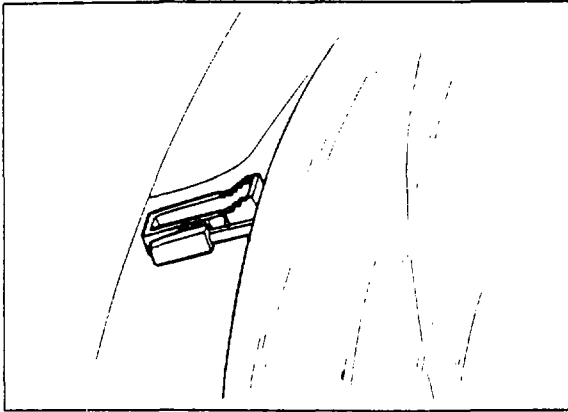
a) With the repair seal cartridge prepared as shown in the figure, use a piece of wire to break through the seal film, and then apply the seal.

b) If necessary, smooth the repair seal to correct any irregularities.

7. Make three alignment marks on the upper edge of the glass as shown in the figure.

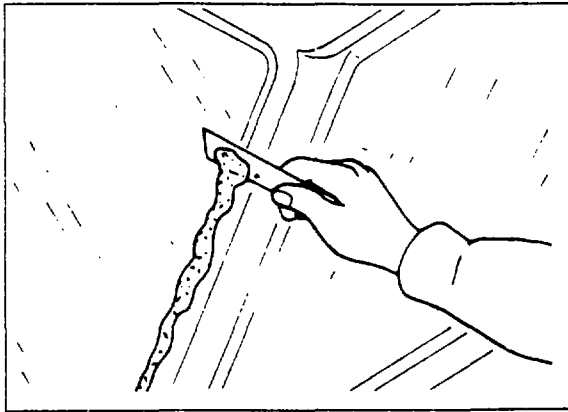
8. Mount the glass onto the body so that the marks on the glass align with the upper spacers.

# 14 WINDSHIELD GLASS



67U14X-092

9. Raise the glass up until the upper edge of the glass is stopped by the upper spacers.
10. Fix the glass by pushing the lower spacers against the lower edge of the glass.



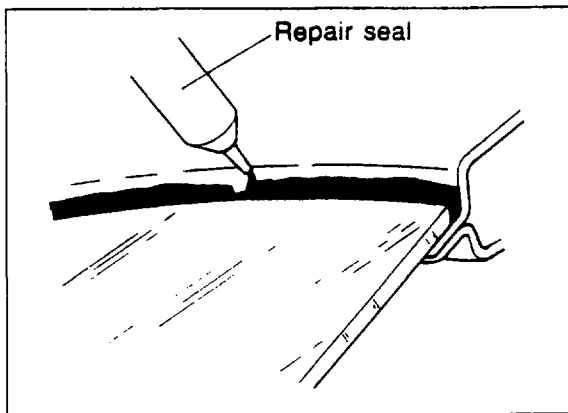
67U14X-093

11. Leave the doors and the windows open until the repair seal becomes somewhat hardened.

### Repair seal hardening time

Temperature	Surface	Base
5°C	Approx. 90 min	12 hours
20°C	Approx. 60 min	4 hours
35°C	Approx. 10 min	2 hours

12. Remove excess or add repair seal where necessary.

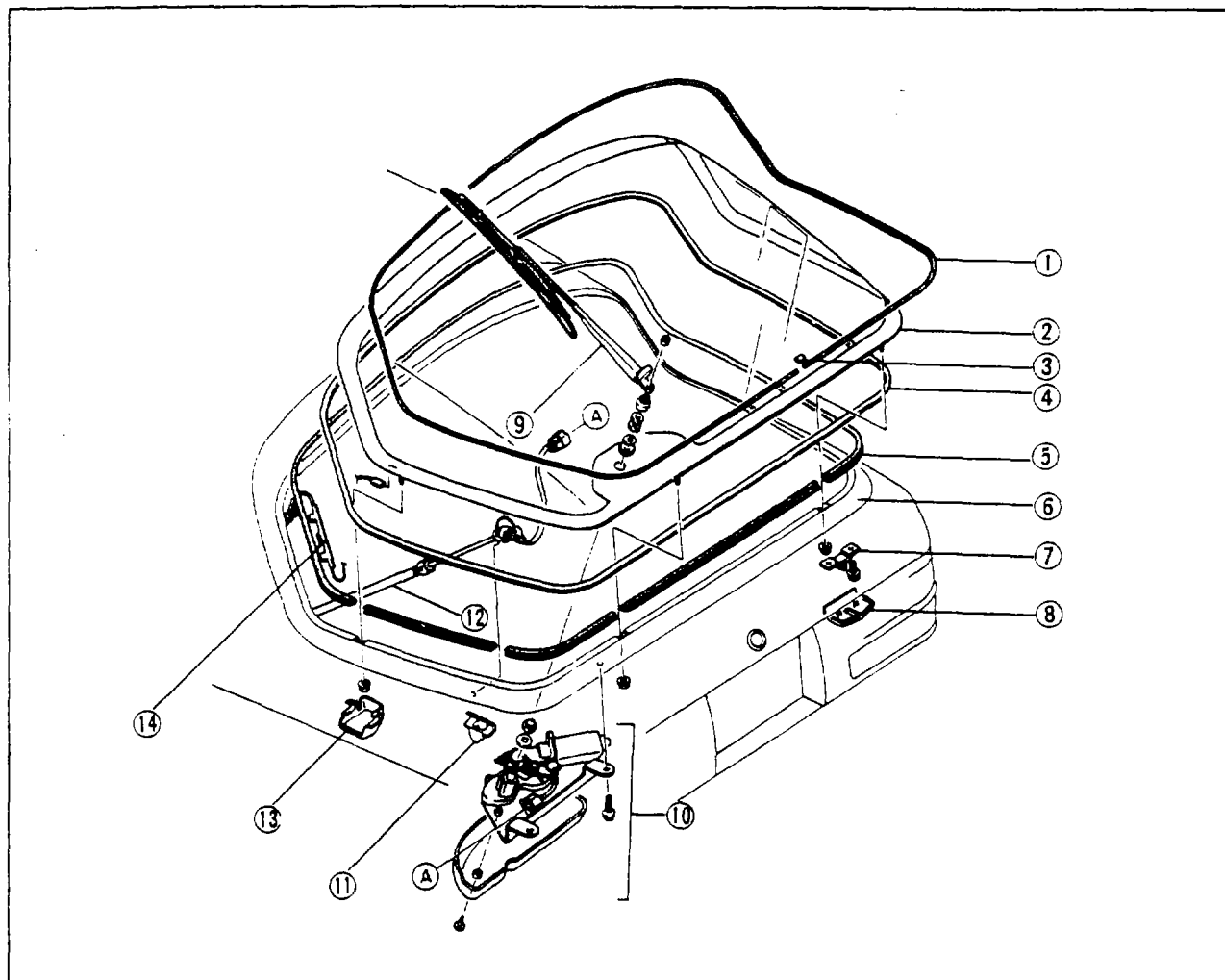


87U14X-036

13. Install the front pillar garnish and upper molding.
14. Check for water leakage. If leaks are found, remove the molding and fill the leaking area with the **repair seal** (B001 77 739).
15. Install the instrument garnish, front pillar trims, front top garnish (coupe), front header trim (convertible), sunvisors, interior mirror, and top lock striker (convertible).

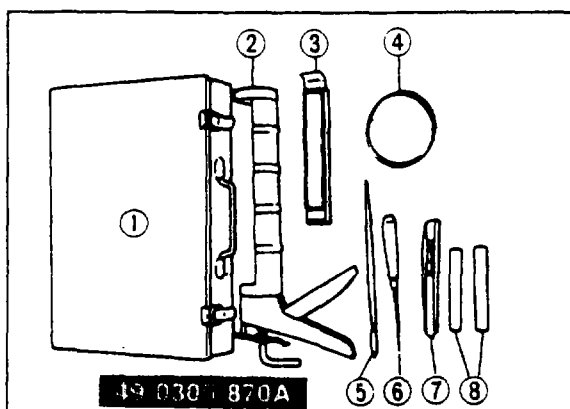
REAR GLASS HATCH GLASS

STRUCTURAL VIEW



67U14X-096

- |                           |                            |                                |
|---------------------------|----------------------------|--------------------------------|
| 1. Molding                | 6. Rear glass hatch sash   | 11. Stay connector cover       |
| 2. Rear glass hatch glass | 7. Striker (R and L)       | 12. Damper stay (R and L)      |
| 3. Molding joint          | 8. Striker cover (R and L) | 13. Wiring connector cover     |
| 4. Dam                    | 9. Wiper arm and blade     | 14. Defroster wiring (R and L) |
| 5. Seaming welt           | 10. Wiper motor assembly   |                                |



87U14X-037

**REMOVAL**

Use **SST** to remove and install the glass.

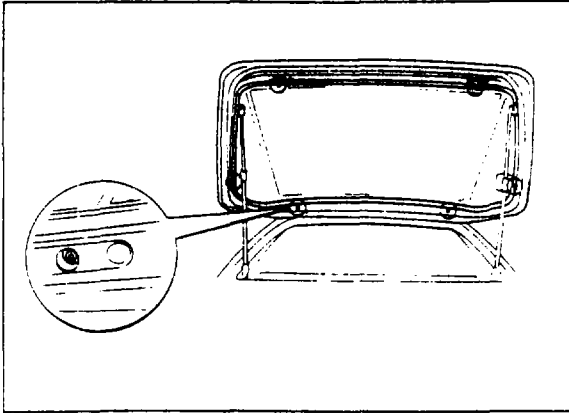
- |                   |         |
|-------------------|---------|
| ① Tool box        | ⑤ Brush |
| ② Sealant gun     | ⑥ Awl   |
| ③ Molding remover | ⑦ Knife |
| ④ Piano wire      | ⑧ Bars  |

Other necessary materials

- a) **Repair seal** (B001 77 739), or equivalent
- b) Dam

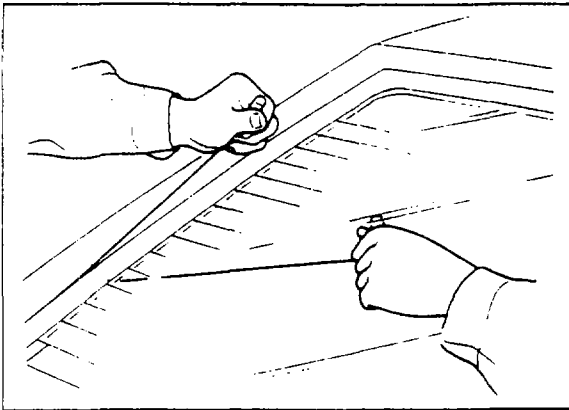


# 14 REAR GLASS HATCH GLASS



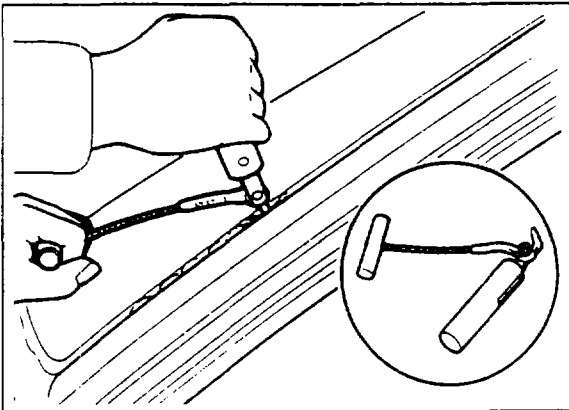
67U14X-098

1. Remove the wiper arm and blade.
2. Remove the wiper motor assembly.
3. Remove the defroster wiring and covers.
4. Remove the seaming welt.
5. Remove the damper stays and covers.
6. Remove the molding and molding joint.
7. Remove the attaching nuts (6) of the glass.



67U14X-099

8. Make a hole in the sealant using the awl.
9. Pass the end of a piece of the piano wire through the hole, and attach a bar to each end.
10. Two people should hold the bars, one inside and one outside the vehicle, and "saw" the sealant around the glass.
11. Remove the glass from the sash.



87U14X-153

## Note

- a) Cut along the border between the glass and the sealant.
- b) If too much heat develops, the piano wire may break, so cool it occasionally or do not work on one place too long.
- c) If the glass is not to be reused, a tool like that shown in the figure is faster than piano wire.

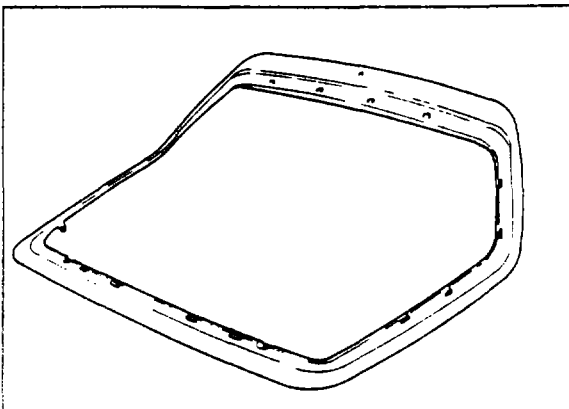
Insert the blade in the sealant, pull the bars, and cut the sealant around the glass

## INSTALLATION

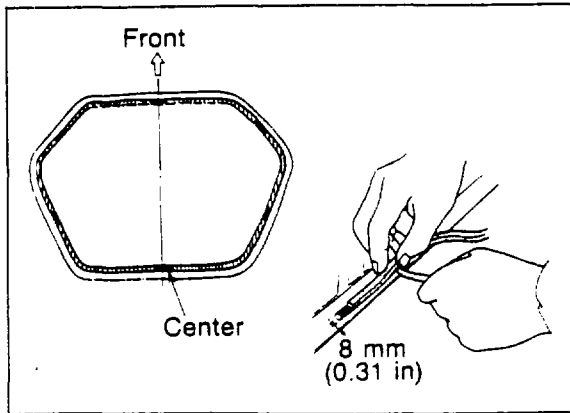
1. Remove the rear glass hatch sash from the body.
2. Use the knife to trim the sealant on the sash. Leave a layer about 1 or 2 mm (0.04 to 0.08 in) thick.

## Note

If some of the sealant flakes off, use new sealant to patch it.



67U14X-101

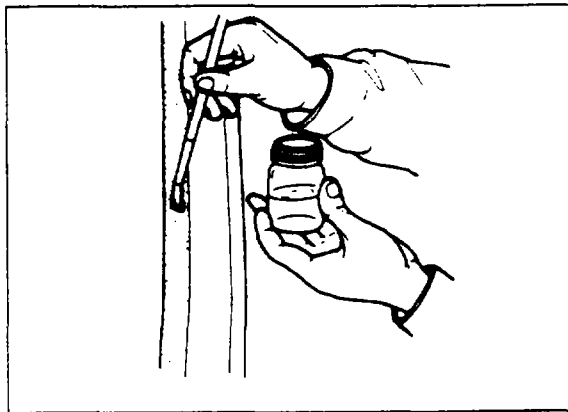


67U14X-102

3. Carefully clean and remove any grease from a 5 cm (1.97 in) wide area around the perimeter of the glass and the remaining bond on the sash.
4. Attach the dam around the glass about 8 mm (0.31 in) from the edge.

**Note**

**Be sure the dam is straight and set securely.**

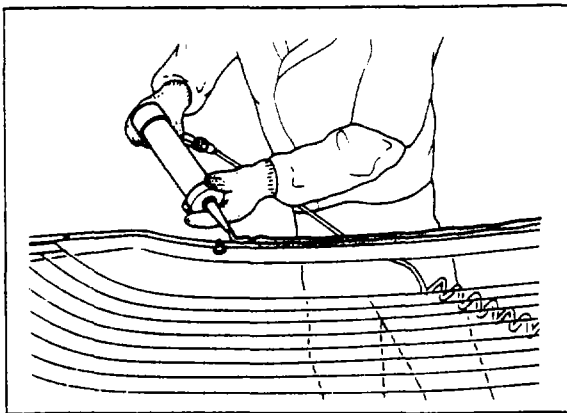


67U14X-103

5. Use the brush to apply a coat of primary to the adhesion surfaces around the glass and on the sash where the glass will adhere, and allow it to dry for 10 minutes or more.

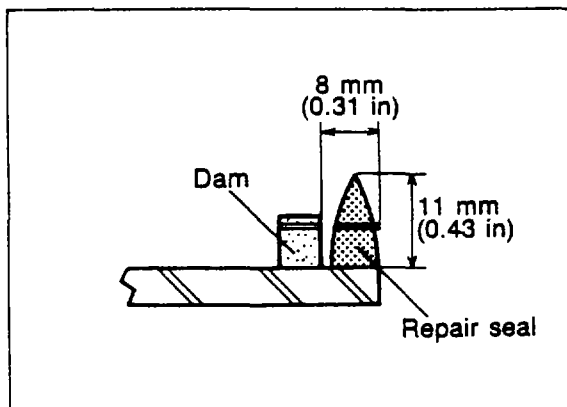
**Note**

**Be sure no dust, moisture, or grease gets on the coated surfaces, and do not touch the primer.**



67U14X-104

6. After the primer dries, apply a bead of repair seal to a height of 12 mm (0.47 in) around the glass, using a sealant gun.

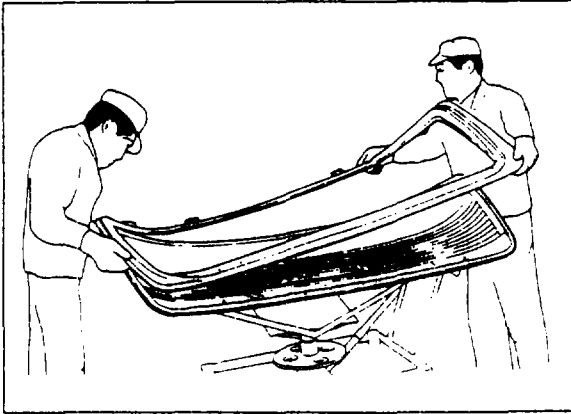


67U14X-105

**Note**

**If necessary, smooth the repair seal to correct any irregularities.**

# 14 REAR GLASS HATCH GLASS



67U14X-106

7. Install the sash onto the glass.

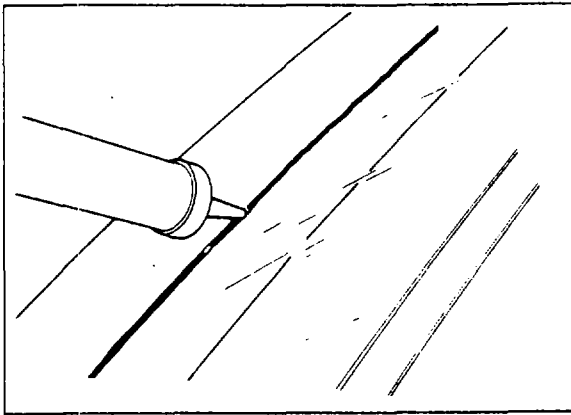
**Note**

**The correct position of the sash on the glass is determined by the stud bolts on the glass.**

8. Tighten the stud bolt nuts.

**Tightening torque:**

**3 N·m (30 cm·kg, 26 in·lb)**



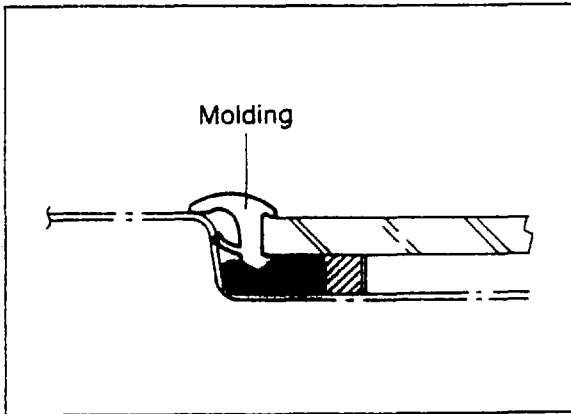
67U14X-107

9. Allow the glass and sash to set until the repair seal becomes somewhat hardened.

**Repair seal hardening time**

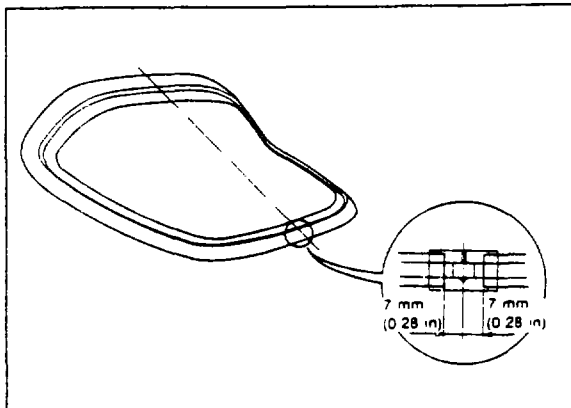
Temperature	Surface	Base
5°C	Approx. 90 min	12 hours
20°C	Approx. 60 min	4 hours
35°C	Approx. 10 min	2 hours

10. Remove the excess or add repair seal where necessary.



67U14X-108

11. Install the molding, starting at the rear center of the rear glass hatch.



67U14X-109

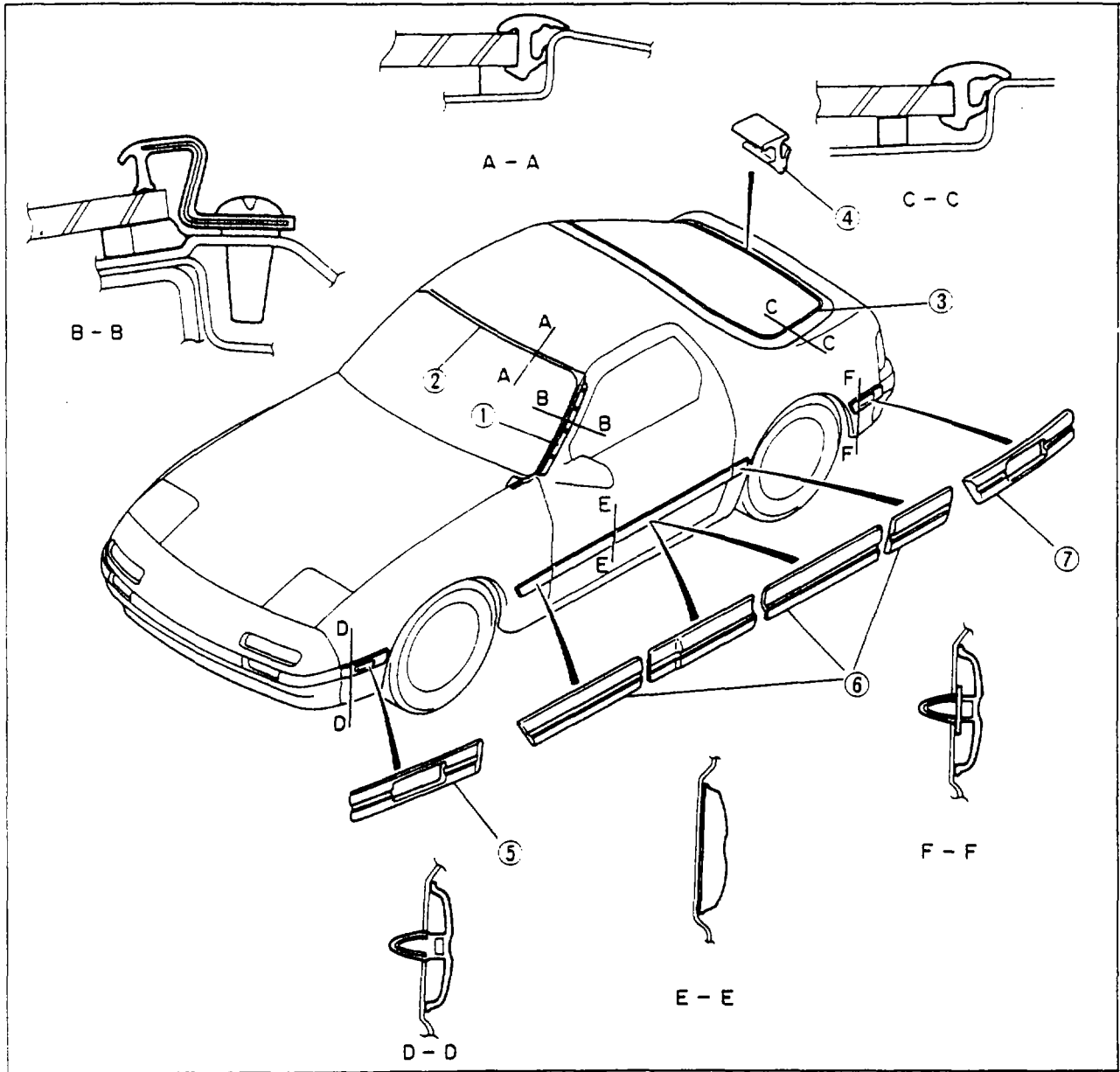
**Note**

**Cut off the extra length of the molding, as in the figure.**

12. Install the molding joint.
13. Install the seaming welt.
14. Install the rear glass hatch onto the body.
15. Install the damper stays and covers.
16. Install the defroster wiring and covers.
17. Install the wiper motor assembly.
18. Install the wiper arm and blade.
19. Check for water leakage.

MOLDING

STRUCTURAL VIEW

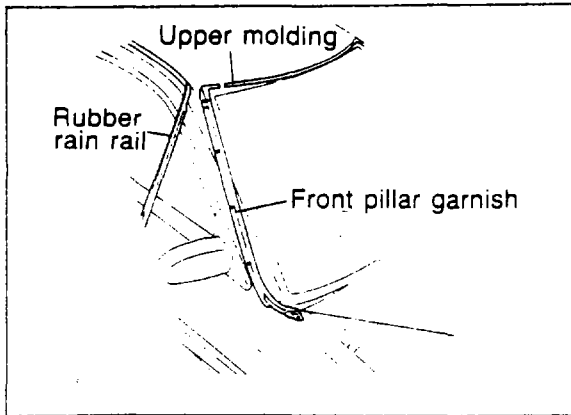


67U14X-110

- 1. Front pillar garnish
- 2. Upper molding
- 3. Rear glass hatch molding
- 4. Molding joint

- 5. Front protector molding
- 6. Side protector molding
- 7. Rear protector molding

# 14 MOLDING

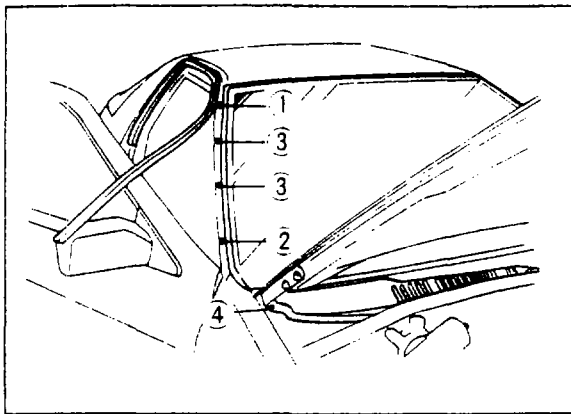


67U14X-111

## FRONT PILLAR GARNISH

### Removal

1. Remove the front half of the rubber rain rail.
2. Remove the right side front pillar garnish.
3. Remove the upper molding.
4. Remove the left side front pillar garnish.



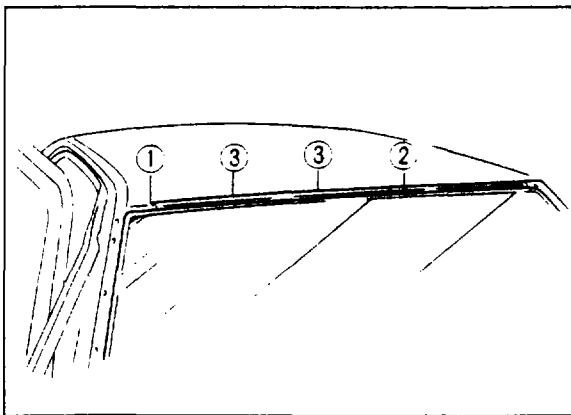
67U14X-112

### Installation

Install in the reverse order of removal.

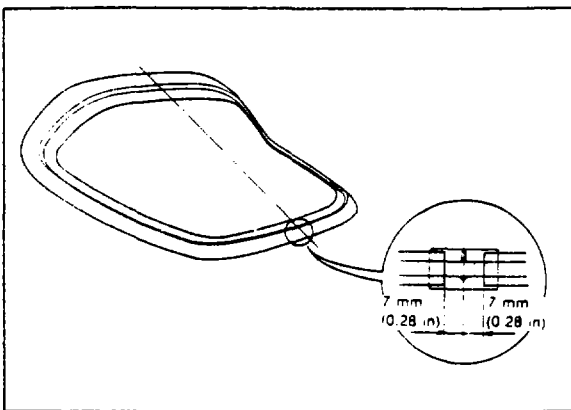
### Note

- a) Tighten the attaching screws in the order shown in the figure.



67U14X-113

- b) Push in the upper molding in the order shown in the figure.



67U14X-114

## REAR GLASS HATCH MOLDING

### Removal

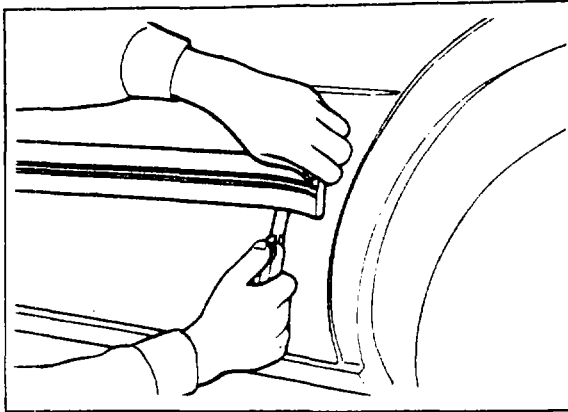
1. Remove the molding joint.
2. Remove the rear glass hatch molding, starting at one end.

### Installation

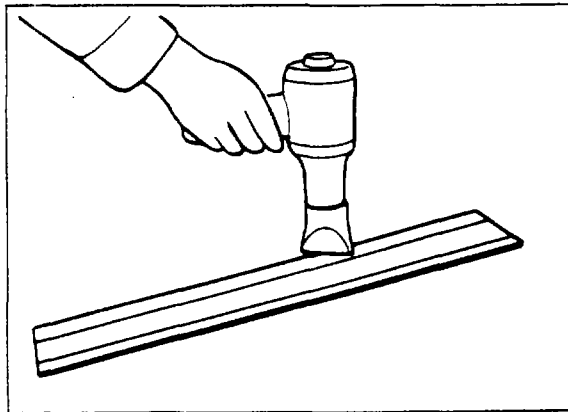
Install in the reverse order of removal.

### Note

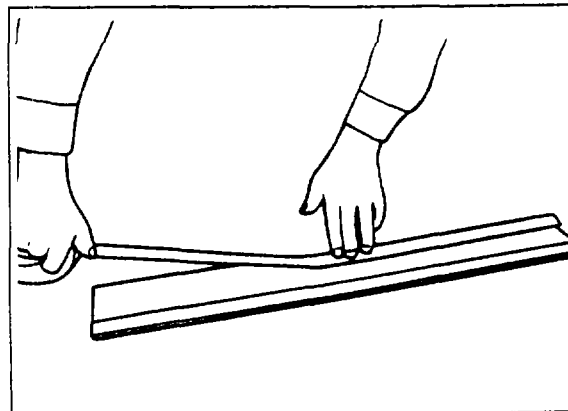
1. Cut away the extra length of the molding as in the figure.



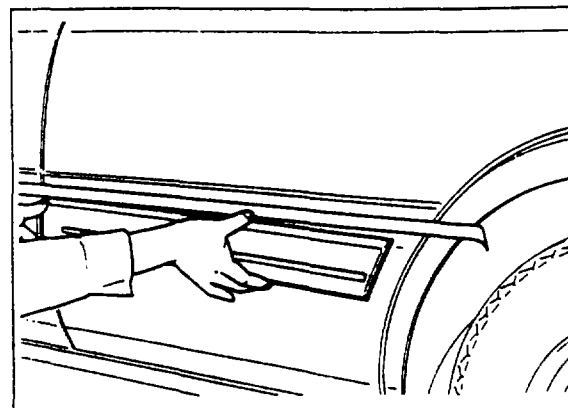
67U14X-115



67U14X-116



67U14X-117



67U14X-118

## SIDE PROTECTOR MOLDING (STICK-ON TYPE)

### Removal

1. Being careful not to scratch the body, use a knife to cut away the molding from the body.
2. Cut away any adhesive remaining on the body or the molding.

### Note

**Remove as much adhesive as possible without damaging the surface.**

3. If the "hot melt" (adhesive) is hard to remove, use a blow dryer to soften it.

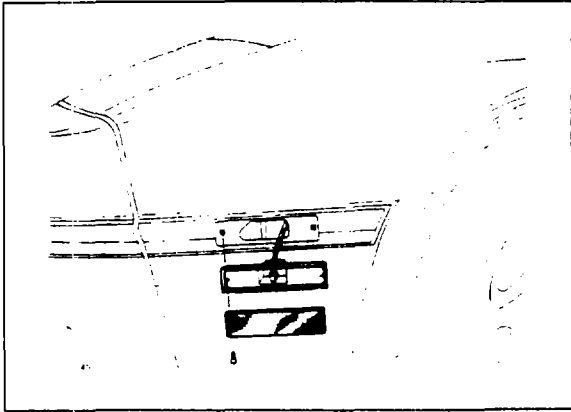
### Installation

1. Remove any grease from the body and molding surfaces.
2. Use masking tape to mark the installation location on the body.
3. Attach two-sided molding tape to the molding adhesion surface.

4. Align the molding on the body and attach it securely.

### Note

**The adhesion strength is decreased below 20°C (68°F), so it is best to warm the body surface beforehand, if necessary.**



67U\*4X:119

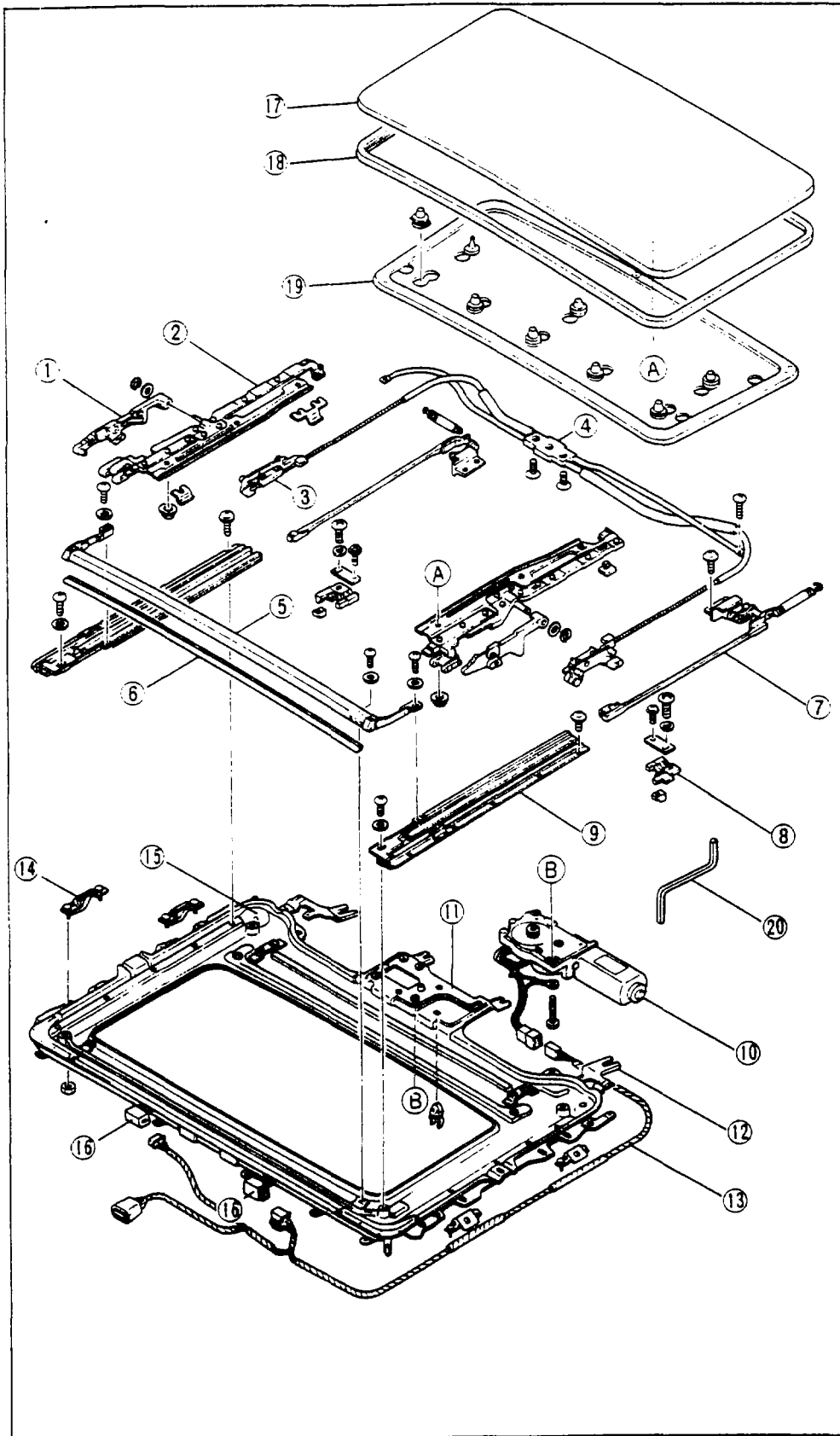
## FRONT AND REAR PROTECTOR MOLDINGS (SNAP-IN TYPE)

### Removal and Installation

1. Remove the light.
2. Remove the molding by grasping the installation fasteners with pliers and pulling the molding outward.

## SLIDING SUNROOF

### STRUCTURAL VIEW

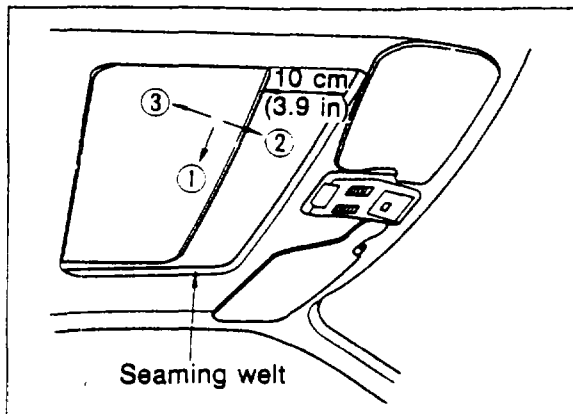


1. Lifter
2. Lower panel
3. Slider
4. Drive unit
5. Wind deflector
6. Seal
7. Shutter assembly
8. Cable holder
9. Guide rail
10. Motor assembly
11. Motor bracket
12. Rear header
13. Harness as-  
sembly
14. Set bracket
15. Frame assembly
16. Relay
17. Outer panel
18. Weatherstrip
19. Inner trim
20. Emergency  
handle

67U14X-055



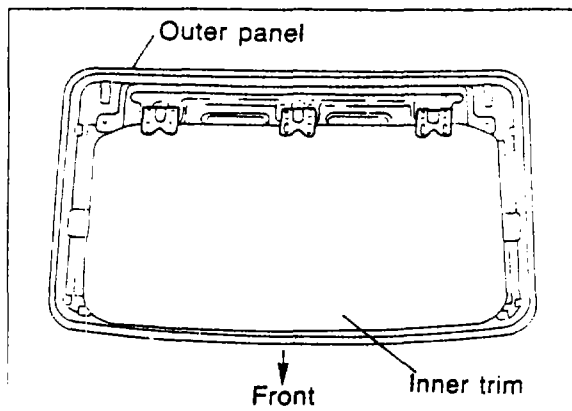
# 14 SLIDING SUNROOF



67U14X-056

## REMOVAL

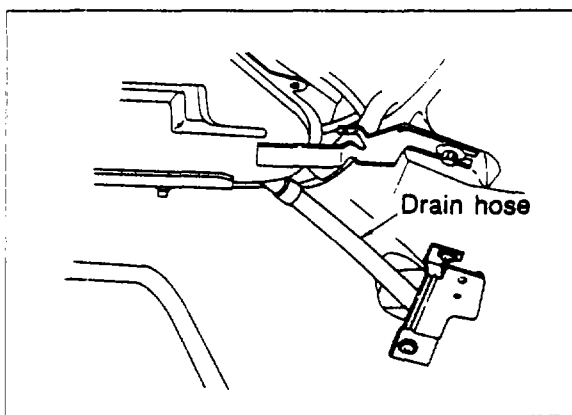
1. Open the outer panel about 100 mm (3.9 in).
2. Remove the ceiling opening seaming welt.
3. Remove the inner trim;
  - (1) Pull down the front.
  - (2) Pull the trim forward.
  - (3) Remove the trim lifting it up, out of the vehicle.



67U14X-057

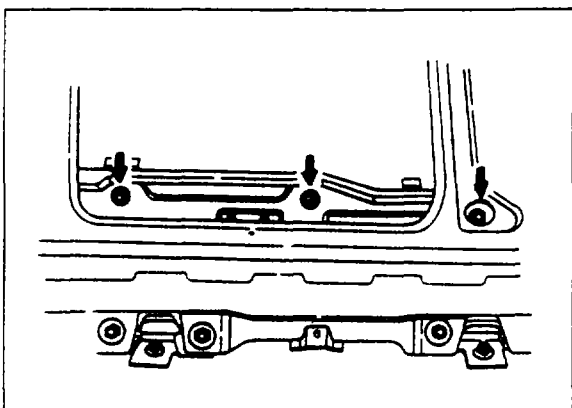
## Note

The inner trim rear is inserted into the outer panel as shown in the figure.

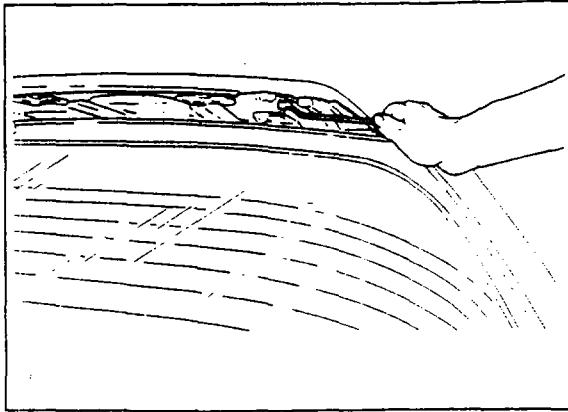


67U14X-058

4. Remove the top ceiling.
5. Disconnect the drain hoses.



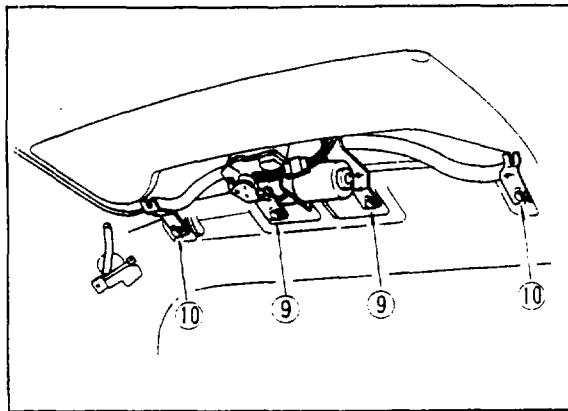
6. Close the sunroof with the emergency handle.
7. Disconnect the wire connectors.
8. Remove the outer panel by removing the outer panel fixing nuts (6).



67U14X-060

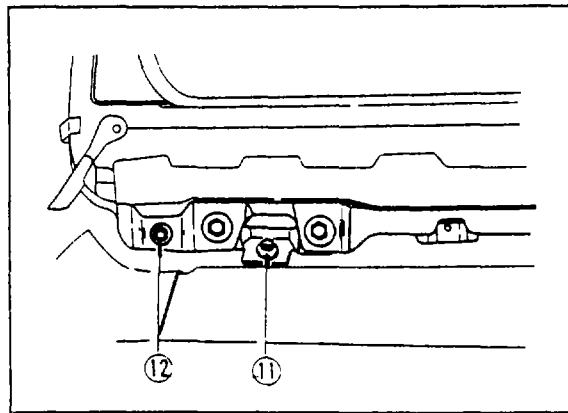
**Note**

If the outer panel is to be removed without removing the top ceiling, fully open the outer panel, and remove the rear fixing nuts (2) from outside of the vehicle.



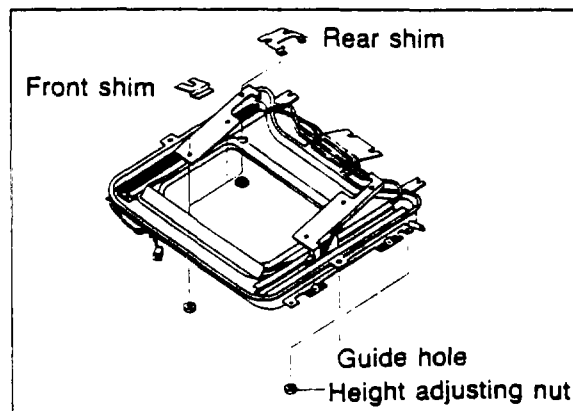
67U14X-061

- 9. Remove the motor bracket attaching bolts.
- 10. Remove the rear header attaching bolts.



67U14X-062

- 11. Remove the set bracket attaching bolts.
- 12. Supporting the lower unit, remove the height adjusting nuts (4) and take the lower unit down.



87U14X-154

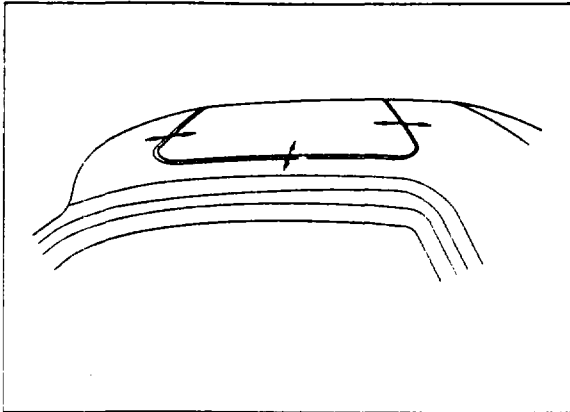
**INSTALLATION**

- 1. Attach the lower unit to the roof using the height adjusting nuts (4).
- 2. Install the outer panel with the front shims (2) and the rear shims (2) between the lower panel and the outer panel.

**Tightening torque:**

6.47—8.92 N·m  
(0.66—0.91 m·kg, 57.2—79.0 in·lb)

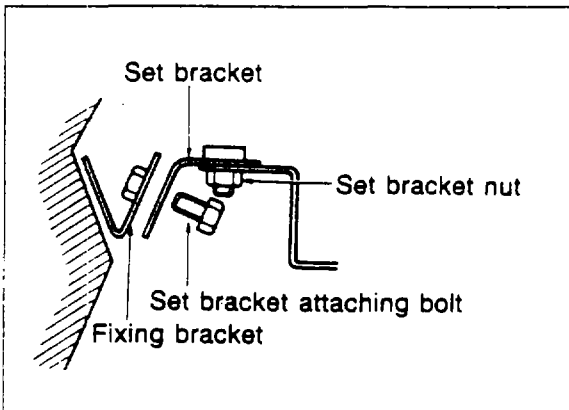
# 14 SLIDING SUNROOF



67U14X-064

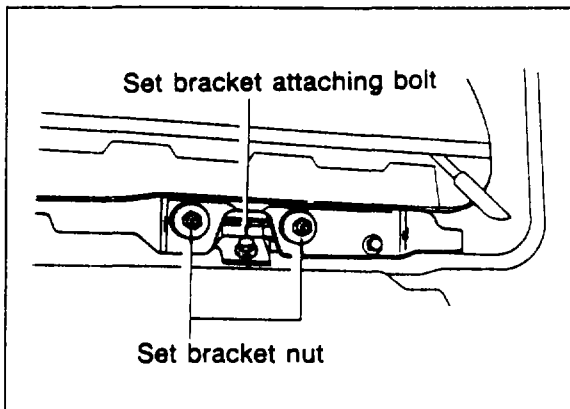
3. Adjust the sunroof height using the height adjusting nuts.

**Height difference around circumference:  
1.5 mm (0.06 in) max.**



67U14X-065

4. Loosen the set bracket nuts.
5. Adjust the set bracket positions so that the holes of the set bracket agree with those of the fixing brackets of the body.

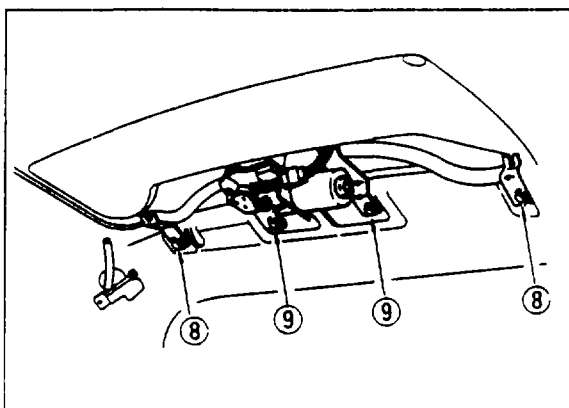


67U14X-066

6. Attach the set brackets to the fixing brackets using the set bracket attaching bolts.

**Tightening torque:  
7.9—10.8 N·m  
(0.8—1.1 m·kg, 70—96 in·lb)**

7. Tighten the set bracket nuts.

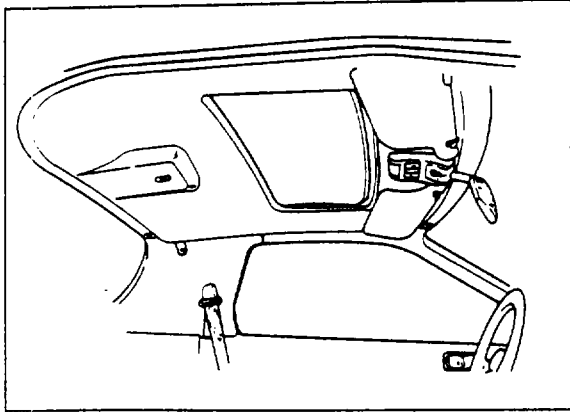


67U14X-067

8. Tighten the rear header attaching bolts.

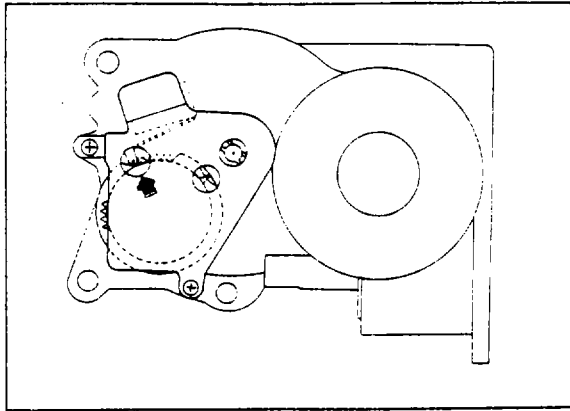
**Tightening torque:  
7.9—10.8 N·m  
(0.8—1.1 m·kg, 70—96 in·lb)**

9. Tighten the motor bracket attaching bolts.



67U14X-025

10. Install the wire connectors, drain hoses, top ceiling, inner trim, seaming welt, etc. referring to the removal procedures.



67U14X-069

### REPLACEMENT OF MOTOR ASSEMBLY

1. Tilt up the sunroof.
2. Remove the motor assembly.
3. Set the timing gear of the new motor assembly in the tilt-up position, as shown in the figure.
4. Install the new motor assembly.

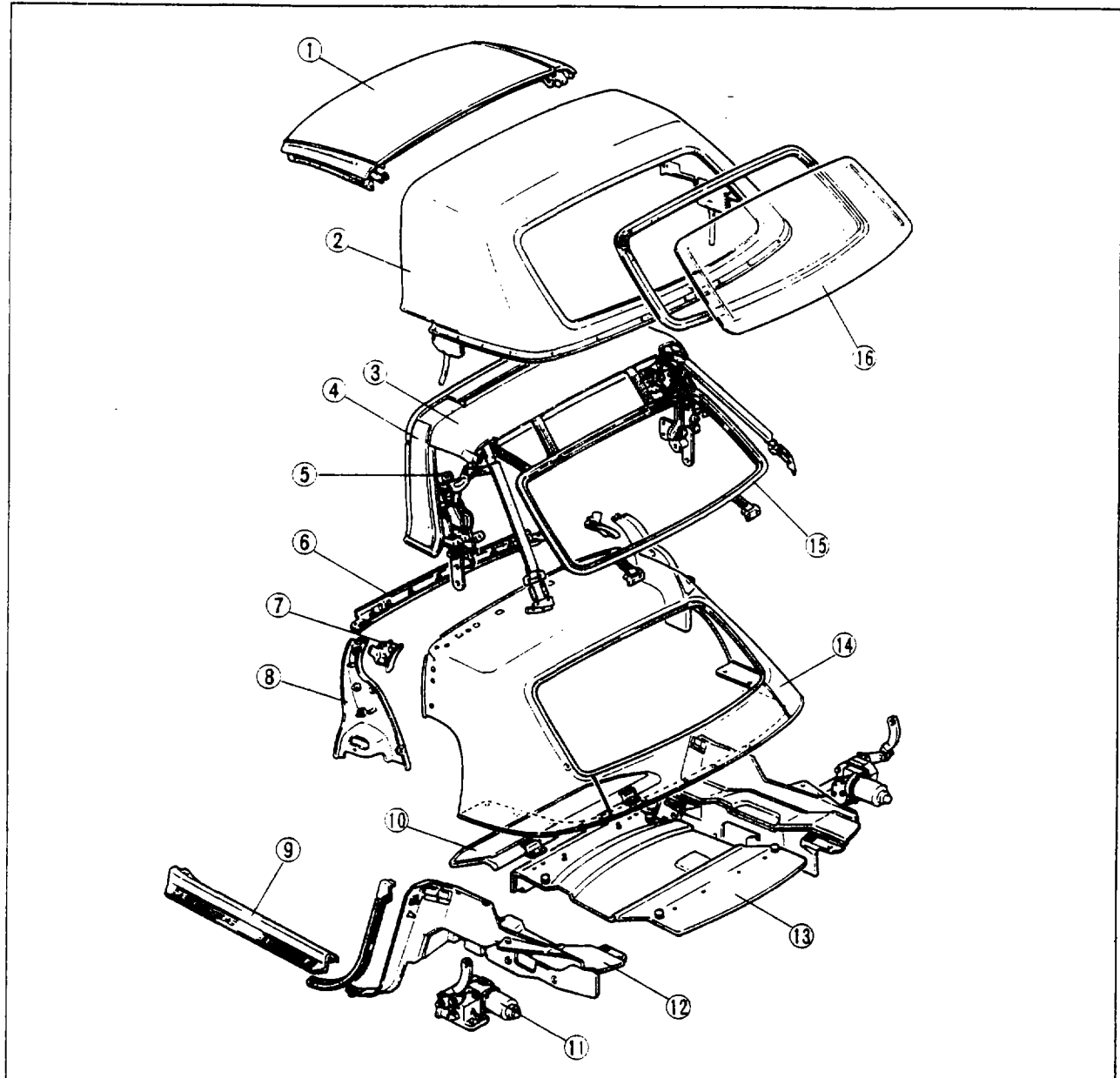
#### Note

The position of the timing gear can be checked through the check hole of the motor assembly. If the position of the timing gear is not in the tilt-up position, adjust the gear position using the emergency handle.

# 14 CONVERTIBLE TOP

## CONVERTIBLE TOP

### STRUCTURAL VIEW

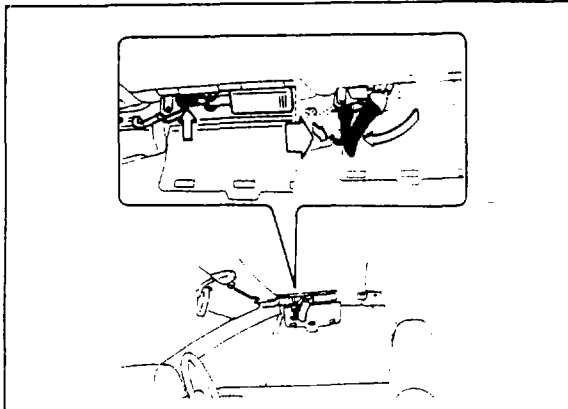


87U14X-038

- 1. Roof panel
- 2. Hood outer
- 3. Insulator
- 4. Forming bar A
- 5. Forming bar B

- 6. Forming bar trim
- 7. Hinge cover
- 8. Link cover
- 9. Scuff plate
- 10. Windblocker

- 11. Motor
- 12. Quarter trim
- 13. Spare tire cover
- 14. Headliner
- 15. Rear window frame
- 16. Rear window glass

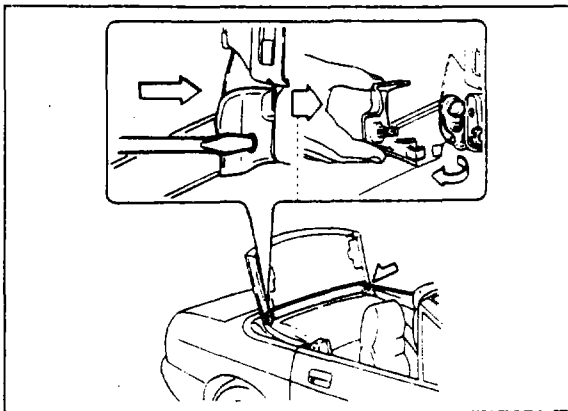


87U14X-039

## REMOVAL Roof Panel

1. Pull the sunvisors down.
2. Push the un-lock knob and release the right and left top lock lever.

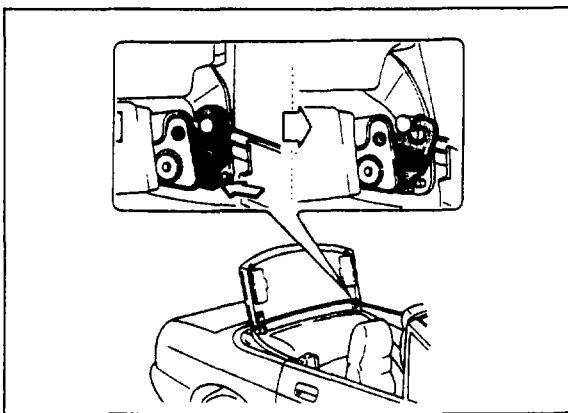
**Note**  
Operate by two people.



87U14X-040

3. Remove the right and left hinge cover with a driver.

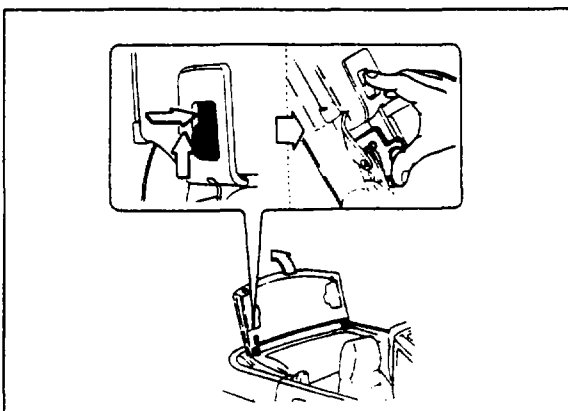
**Note**  
Lower the convertible top fully.



87U14X-041

4. Push the hinge lock (yellow part) of the driver's side, then remove the hinge.

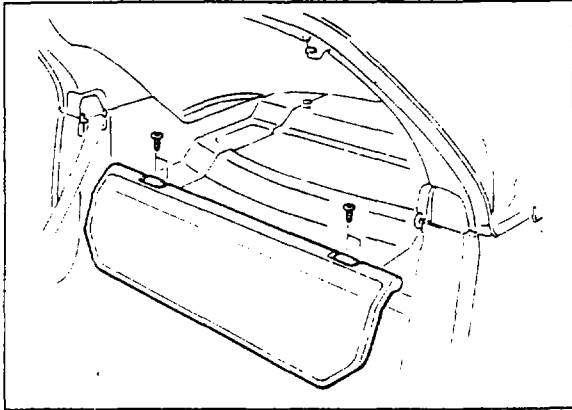
**Note**  
Do next No.4 and 5 at the same time.



87U14X-155

5. Keep pushing the hinge lock button to fix the hinge shown in the figure and remove the roof panel.

# 14 CONVERTIBLE TOP



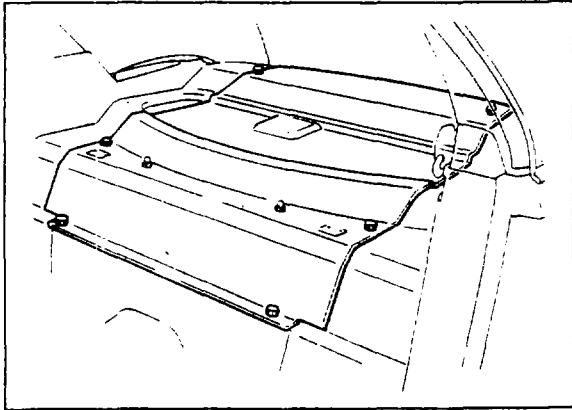
87U14X-042

## Windblocker

Remove the screws, then remove the windblocker from the spare tire cover.

## Note

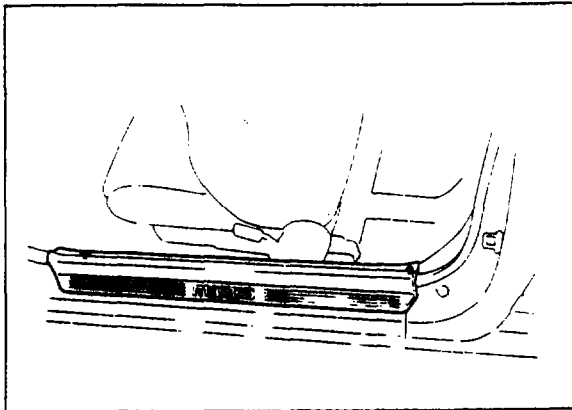
**Raise the convertible top completely.**



87U14X-043

## Spare Tire

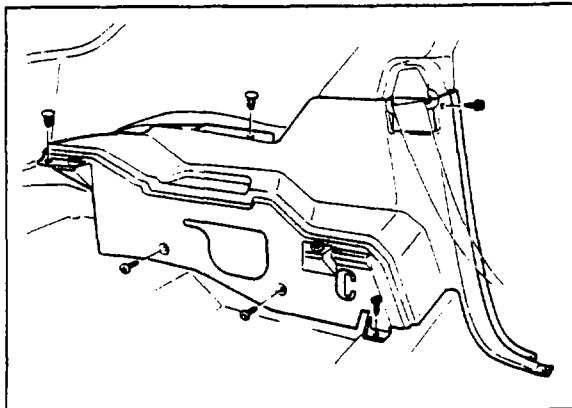
Remove the fasteners, and remove the rope from the quarter trim, then remove the spare tire cover and spare tire.



87U14X-044

## Scuff Plate

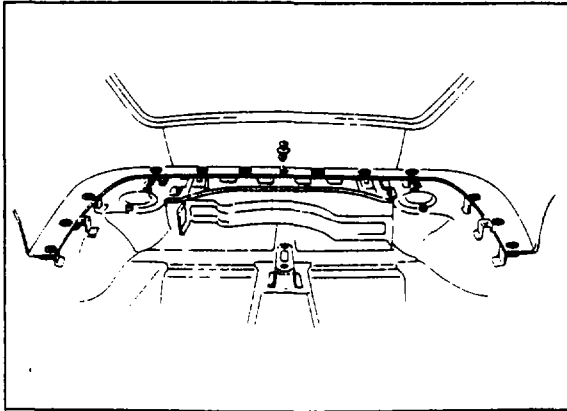
Remove the fasteners, then remove the scuff plate.



87U14X-045

## Quarter trim

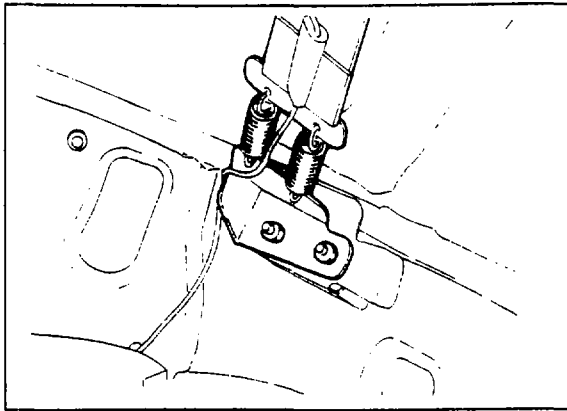
1. Remove the screws, then remove plates.
2. Remove the fasteners, then remove the seaming welt.
3. Remove the screws and the fasteners, then remove the quarter trim.



87U14X-046

### Headliner

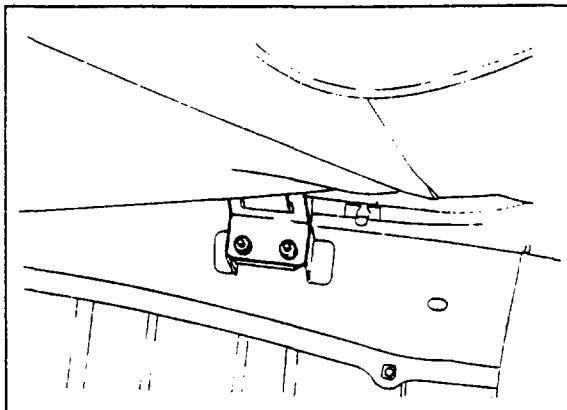
Remove the fasteners, then remove the rear headliner from the body.



87U14X-047

### Corner Belt A

Turn up the rear headliner, then remove the corner belt A from the body.



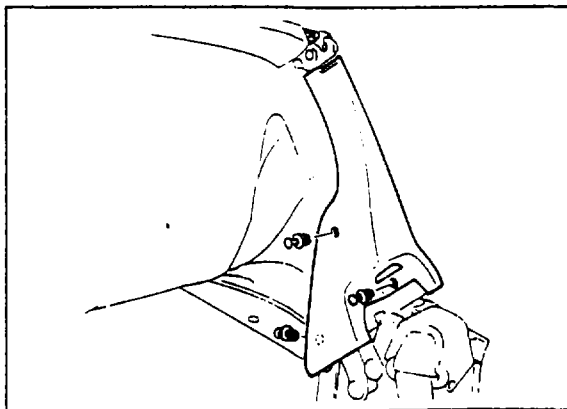
87U14X-048

### Back Window Belt B

Turn up the rear headliner, then remove the rear window belt B from the body.

### Defog Harness Connectors

Remove the defog harness connectors of the body side.



87U14X-049

### Link Cover

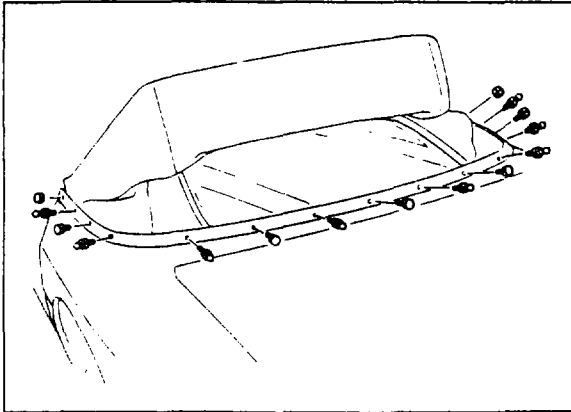
Remove the fasteners, then remove the link cover from the forming bar A.

### Note

Lower the convertible top half-way.



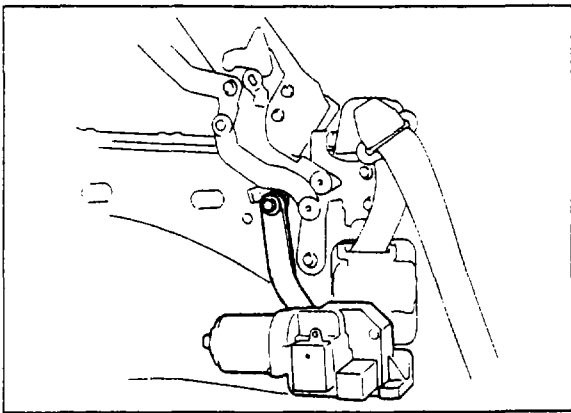
# 14 CONVERTIBLE TOP



87U14X-050

## Hood Outer

Remove the hooks, fasteners, bolts and nuts, then remove the hood outer from the body.



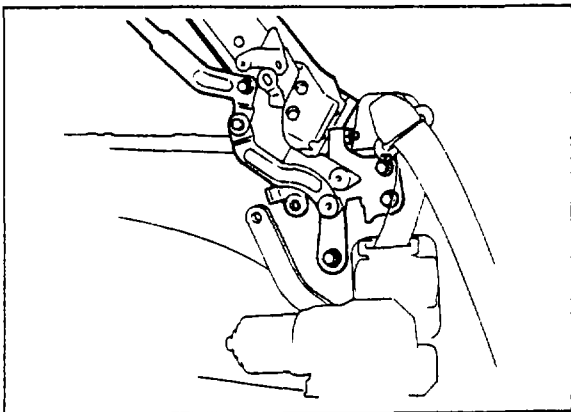
87U14X-051

## Motor Link

Remove the bolt, then remove the motor link to forming bar A from the body.

## Caution

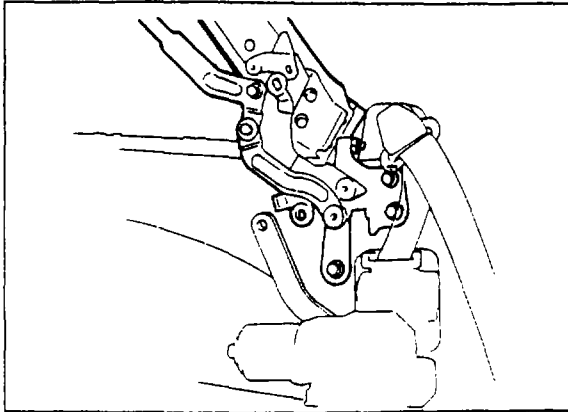
**Support by hand to prevent dropping the convertible top.**



87U14X-052

## Convertible Top

Remove the bolt, then remove the forming bar assy from the body. And remove the convertible top.



87U14X-053

## INSTALLATION

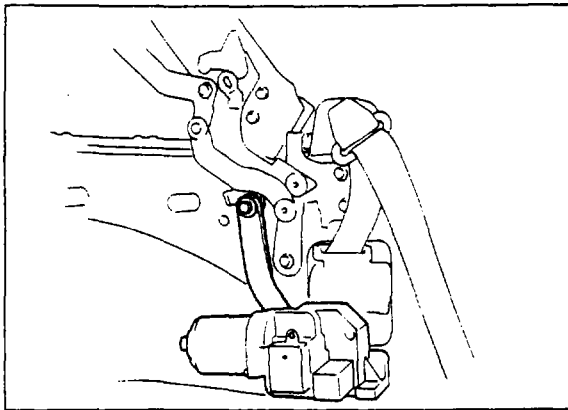
### Convertible Top

Install the forming bar assy to the body with the fasteners.

**Tightening torque: 36.3—54.0 N·m**  
(3.7—5.5 m·kg, 26.7—39.8 ft·lb)

### Note

Operate by two people.

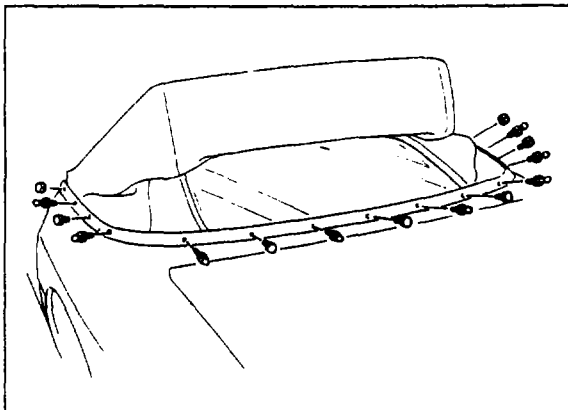


87U14X-054

### Motor Link

Install the motor link to the forming bar assy with the bolt.

**Tightening torque: 31.4—46.1 N·m**  
(3.2—4.7 m·kg, 23.1—34 ft·lb)



87U14X-055

### Hood Outer

Install the hood outer to the body with the hooks, bolts and nuts.

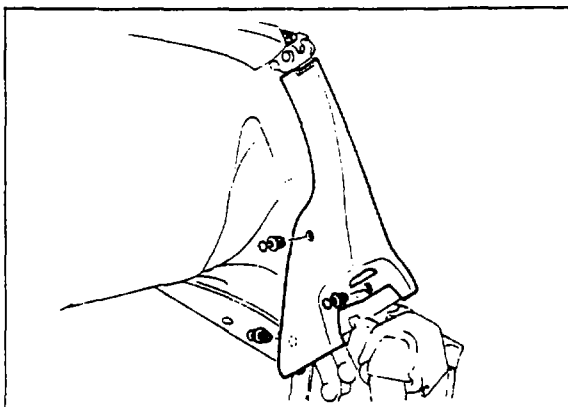
### Tightening torque:

**hook, bolt: 2.5—3.5 N·m**

(25—36 cm·kg, 21.7—31.2 in·lb)

**nut: 4.2—6.2 N·m**

(43—63 cm·kg, 37.3—54.7 in·lb)

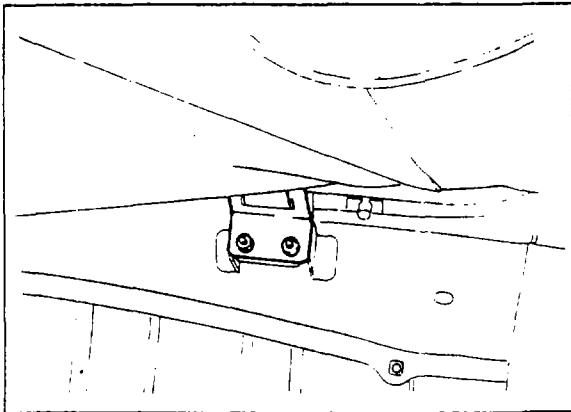


87U14X-056

### Link Cover

Install the link cover to the forming bar A with the clip.

# 14 CONVERTIBLE TOP



87U14X-057

## Defog Harness Connector

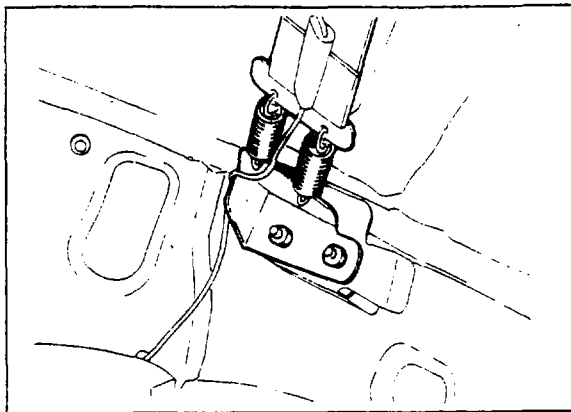
### Note

Raise the convertible top completely.

## Rear Window Belt B

Install the rear window belt B to the body with the nuts.

**Tightening torque: 6.9—9.8 N·m  
(70—100 cm·kg, 60.8—86.8 in·lb)**

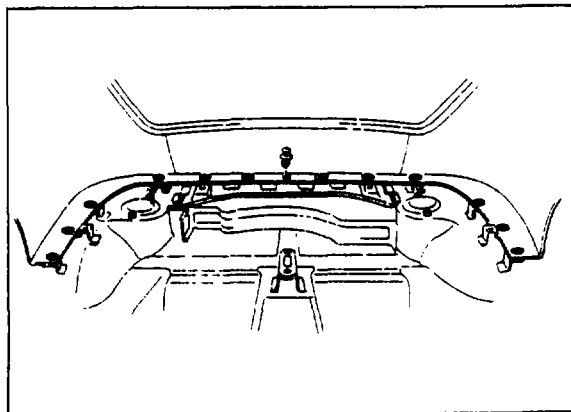


87U14X-058

## Corner Belt A

Install the corner belt A to the body with the nuts.

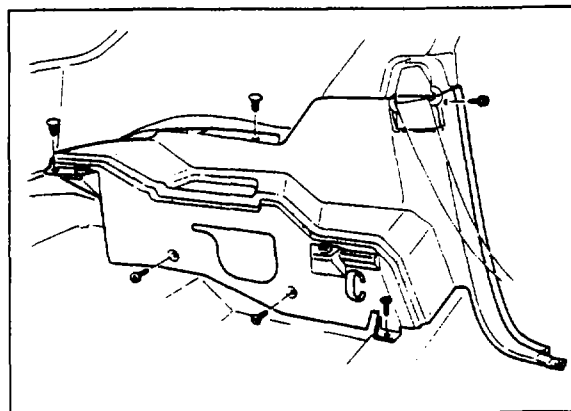
**Tightening torque: 6.9—9.8 N·m  
(70—100 cm·kg, 60.8—86.8 in·lb)**



87U14X-059

## Headliner

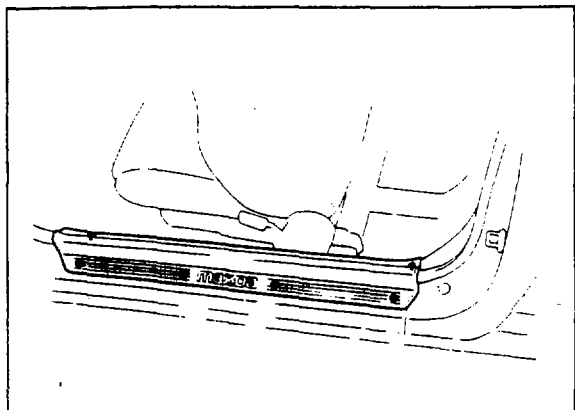
Install the rear headliner to the body with the fasteners.



87U14X-060

## Quarter Trim

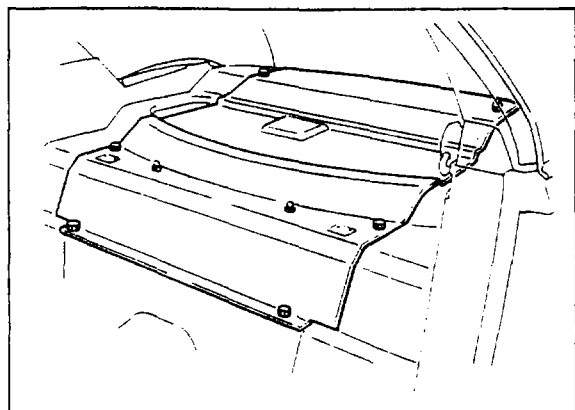
1. Insert the quarter trim to the seat belt, then install the quarter trim to the body with the clips, the screws and the fasteners.
2. Install the seaming welt with the fastener.



87U14X-061

### Scuff Plate

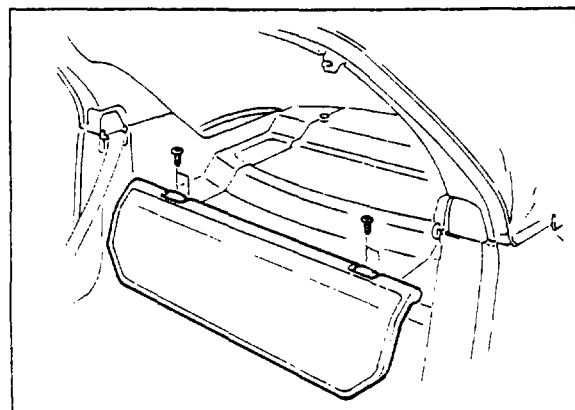
Insert the scuff plate to the quarter trim, then install the scuff plate to the body with the screws.



87U14X-062

### Spare Tire Cover

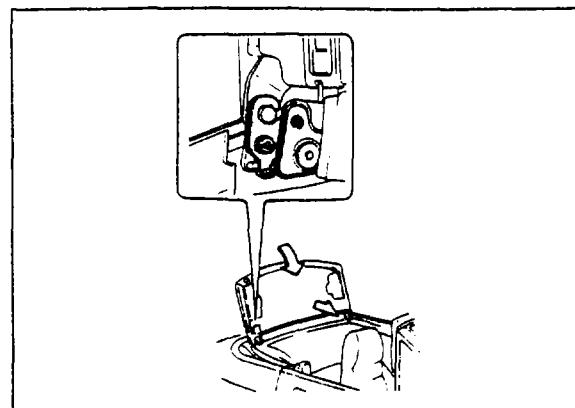
1. Install the spare tire.
2. Install the rope to fix to the quarter trim and install the spare tire cover with the fasteners.



87U14X-063

### Windblocker

Install the windblocker to the spare tire cover with the screws.



87U14X-064

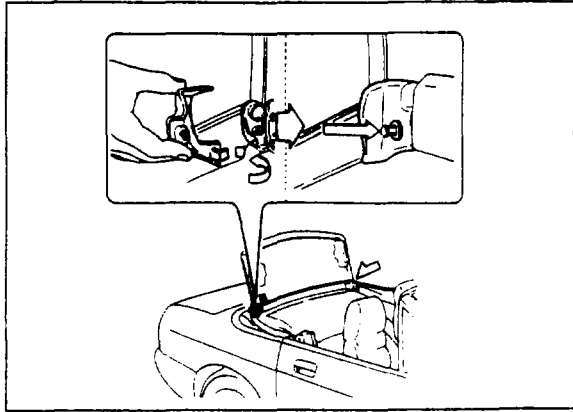
### Roof Panel

1. Insert the roof panel squarely into the hinges.
2. Set the hinge lock in the LOCK position.

### Note

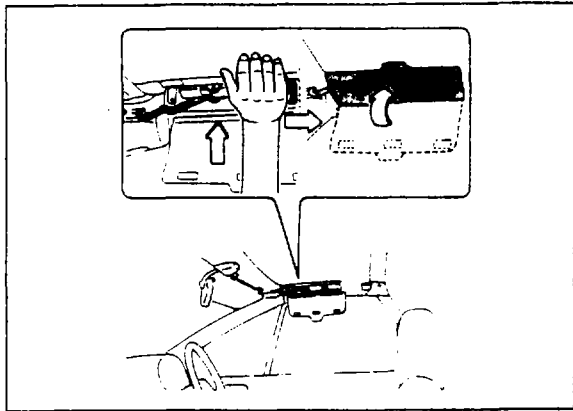
**Make sure "clicks" when set the hinge lock in the LOCK position.**

# 14 CONVERTIBLE TOP



87U14X-065

Install the left and right hinge covers.

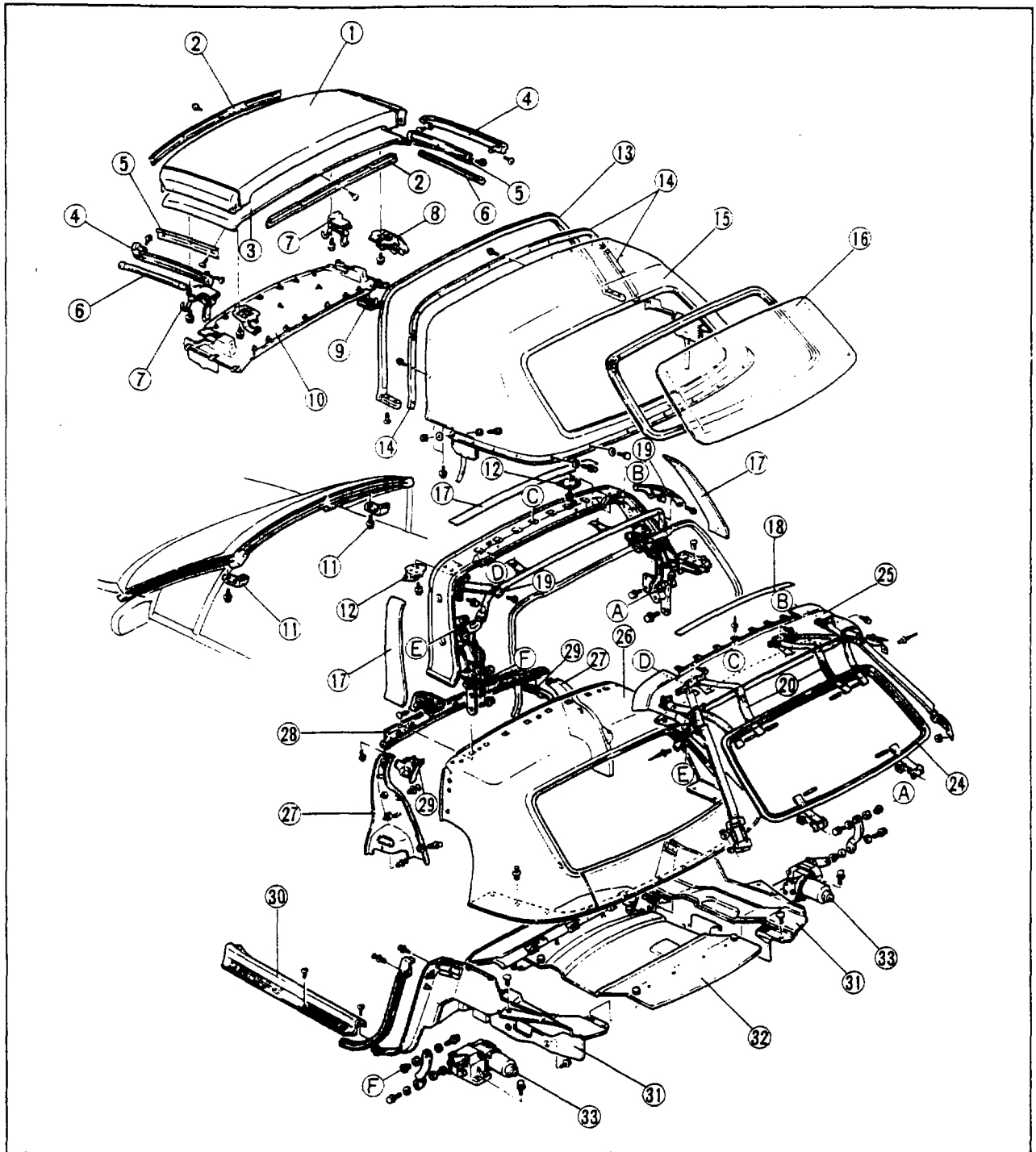


87U14X-066

Set the top lock lever in the LOCK position.  
Replace the sunvisor in the normal position.

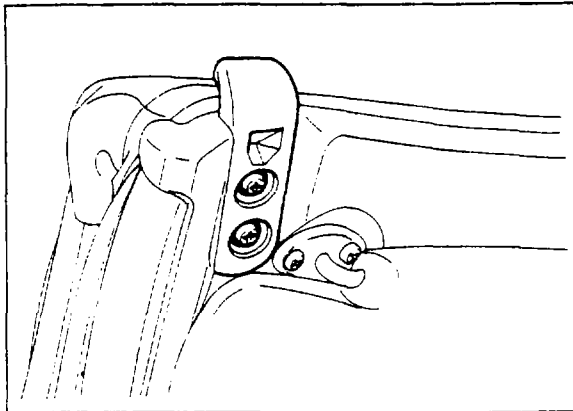
**Note**  
Close the roof panel completely.

## ASSEMBLY OF CONVERTIBLE TOP



87U14X-067

- |                      |                              |                        |
|----------------------|------------------------------|------------------------|
| 1. Roof cloth        | 12. Hinge lock               | 23. Rear window belt C |
| 2. Set plate         | 13. Forming bar weatherstrip | 24. Rear window frame  |
| 3. Roof pannel       | 14. Forming bar retainer     | 25. Insulator          |
| 4. Weatherstip       | 15. Hood outer               | 26. Headliner          |
| 5. Retainer          | 16. Rear window glass        | 27. Link cover         |
| 6. Seaming welt      | 17. Spacer pad               | 28. Forming bar trim   |
| 7. Top lock          | 18. Form plate               | 29. Hinge cover        |
| 8. Hinge lock        | 19. Corner belt B            | 30. Scuff plate        |
| 9. Hinge lock cover  | 20. Rear window belt A       | 31. Quarter trim       |
| 10. Top trim         | 21. Rear window belt B       | 32. Spare tire cover   |
| 11. Top lock striker | 22. Corner belt A            | 33. Motor              |



87U14X-068

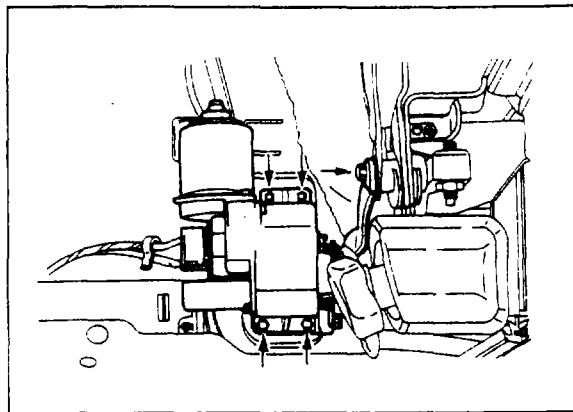
## INSTALLATION

### Forming Bar Assy (Refer to page 14—65)

#### Top lock striker

Install the top lock striker with the screws.

**Tightening torque: 9.8—1.47 N·m**  
(1.0—1.5 m·kg, 7.2—10.8 ft·lb)



87U14X-069

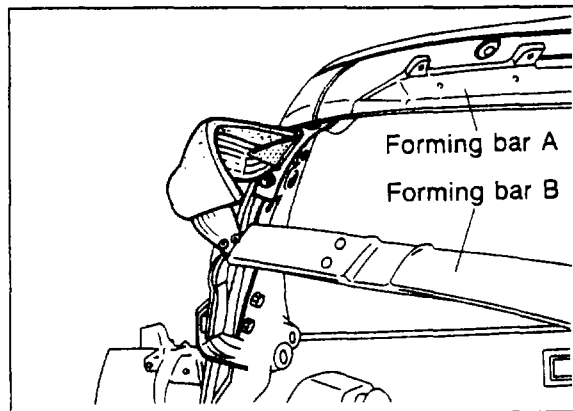
#### Motor

1. Install the motor link to the forming bar assy with the bolt.
2. Connect the harness connector.

#### Tightening torque:

**bolt to install the motor: 17.7—26.5 N·m**  
(1.8—2.7 m·kg, 13.0—19.5 ft·lb)

**motor link: 31.4—46.1 N·m**  
(3.2—4.7 m·kg, 23.1—34.0 ft·lb)



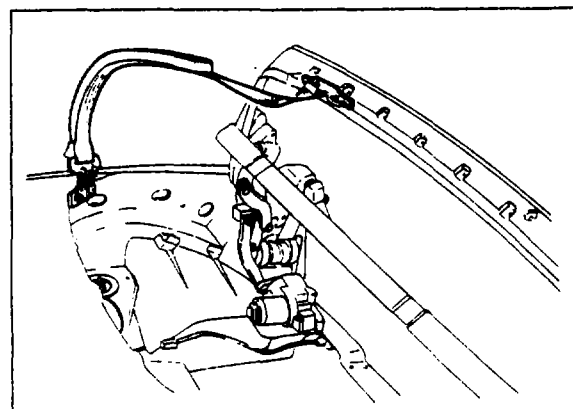
87U14X-070

#### Corner Belt B

Install the bolts to the forming bar A and the screws to the forming bar B. Then install the corner belt B.

#### Tightening torque:

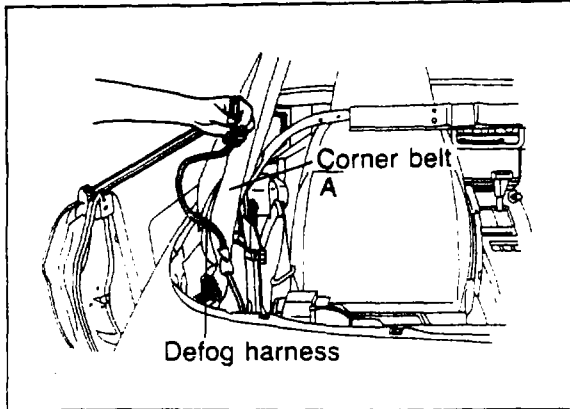
**bolt: 6.9—9.8 N·m**  
(70—100 cm·kg, 60.8—86.8 in·lb)



87U14X-071

#### Corner Belt A

Install the bolts to the forming bar A and nuts to the body. Then install the corner belt A.



87U14X-146

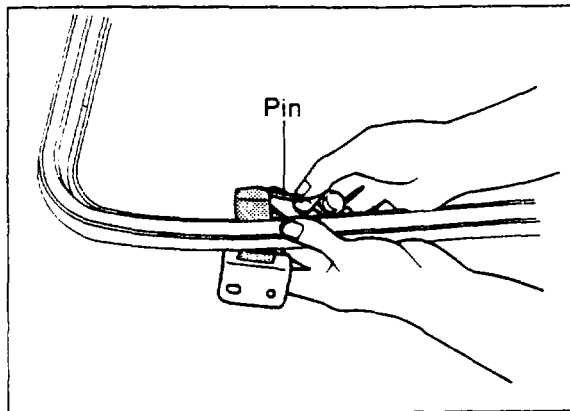
### Defog Harness

Install the defog harness to the corner belt A.

#### Tightening torque:

bolt, nut: 6.9—9.8 N·m

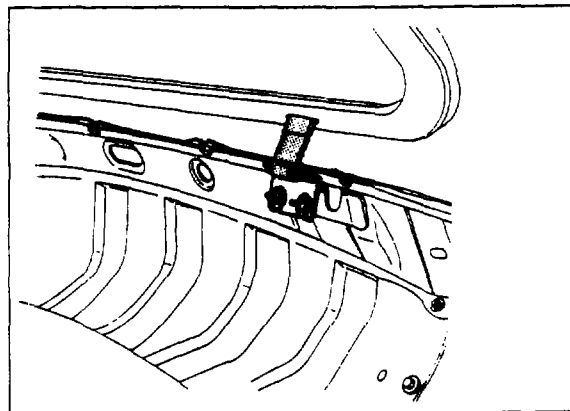
(70—100 cm·kg, 60.8—86.8 in·lb)



87U14X-072

### Rear Window Frame

1. Pass the rear window belt C through the rear window frame hole and pull out the belt. Then insert the pin to the belt.
2. Pull out the rear window belt C and insert it to the rear window frame.



87U14X-073

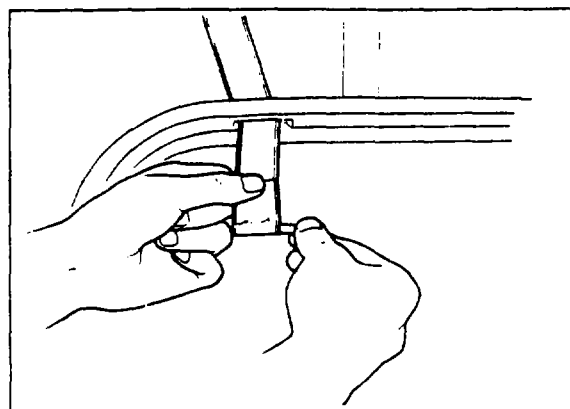
3. Install the rear window belt B to the body with the nuts.

#### Tightening torque: 6.9—9.8 N·m

(70—100 cm·kg, 60.8—86.8 in·lb)

#### Note

Use a helper to support the rear window frame.

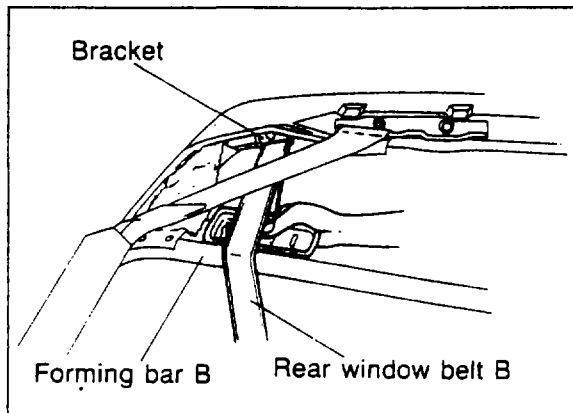


87U14X-156

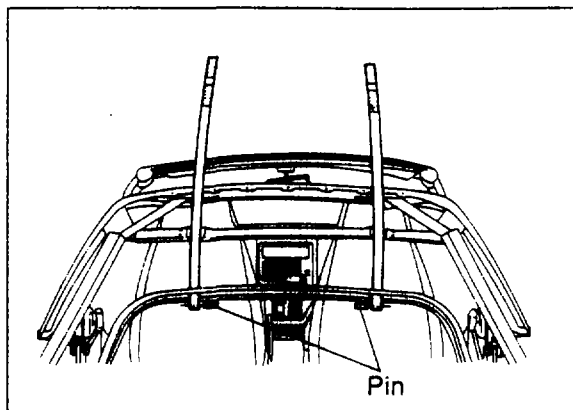
4. Pass the rear window belt B through the rear window frame hole and pull out the belt. Then insert the pin to the belt.
5. Pull the rear window belt B, then install it to the rear window frame.



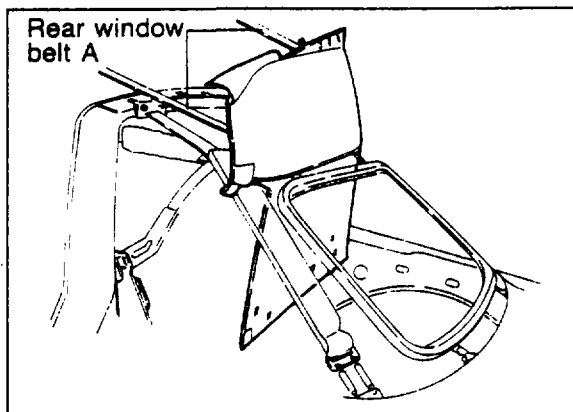
# 14 CONVERTIBLE TOP



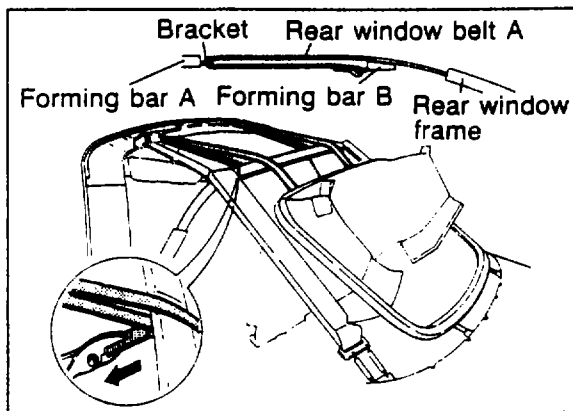
87U14X-148



87U14X-074



87U14X-075



87U14X-076

6. Install the bracket to the forming bar A with the bolts.

**Tightening torque: 6.9—9.8 N.m  
(70—100 cm-kg, 60.8—86.8 in-lb)**

7. Pass the rear window belt B through the bracket of both the forming bar A and the forming bar B, then install the rear window belt B with tack.

8. Insert pin into belt after passing the rear window belt A through the rear window frame hole with its Velcro up.

9. Pull out the rear window belt A and install it to the rear window frame.

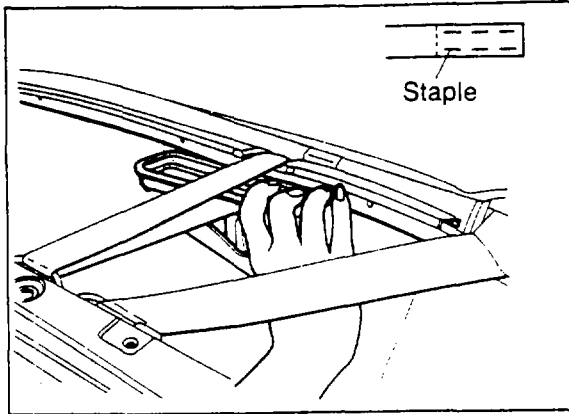
10. Pass the back window belt No.1 through the insulator.

11. Pass the back window belt No.1 above the forming bar B. And pass the belt through the bracket of both the forming bar A and forming bar B.

12. Pull out the Velcro part with pliers, then fix it with the Velcro shown in the figure.

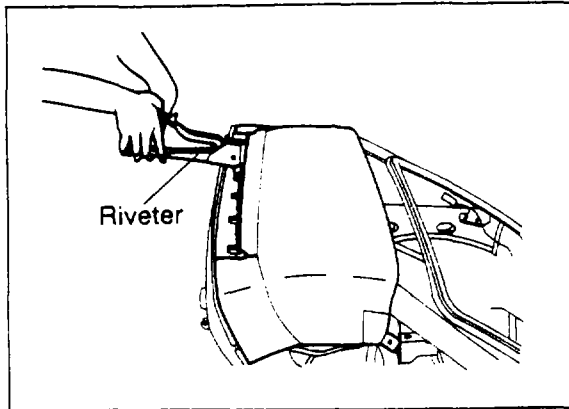
## Note

**Raise the forming bar assembly completely.**



87U14X-077

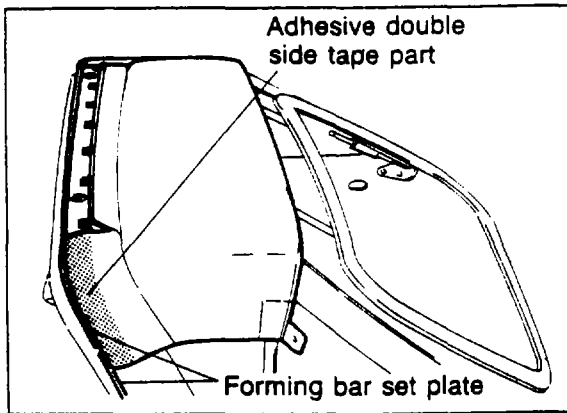
13. Tack to the rear window belt A.



87U14X-078

### Insulator

1. Install the insulator to the forming bar A from the center position with a riveter.

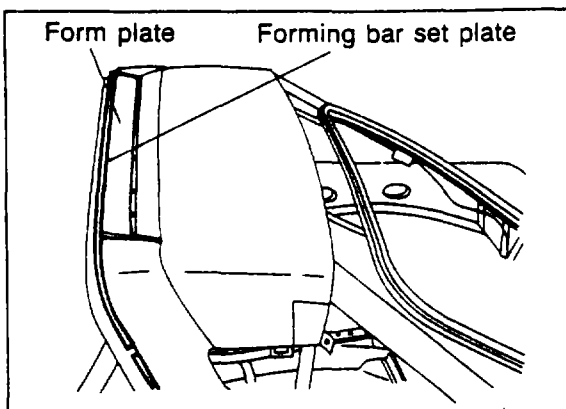


87U14X-079

2. Install the adhesive double side tape part of the insulator (the upper face) to the forming bar A.

### Note

**Do not strike forward the forming bar set plate.**



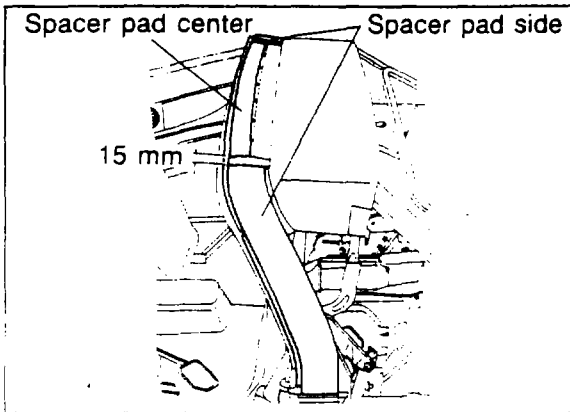
87U14X-080

3. Install the form plate to the forming bar A. When installing, fit the adhesion part to the forming bar set plate.

### Note

**Do not stick forward the forming bar set plate.**

# 14 CONVERTIBLE TOP

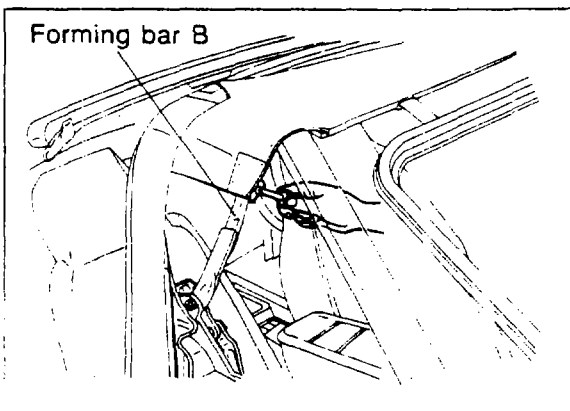


87U14X-081

4. Stick the spacer pad to the forming bar A.

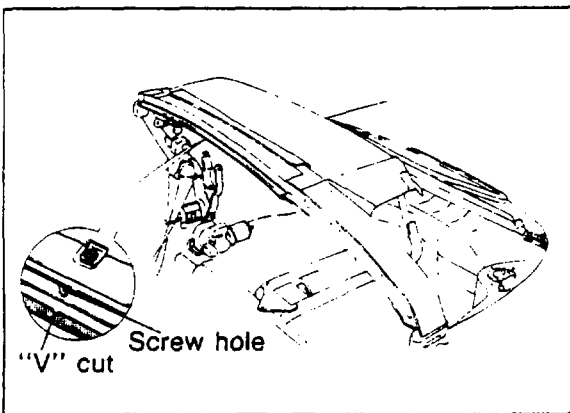
### Note

- Do not stick forward the forming bar set plate.
- Stick the spacer pad center and the spacer pad side with 15 mm (0.59 in) apart.



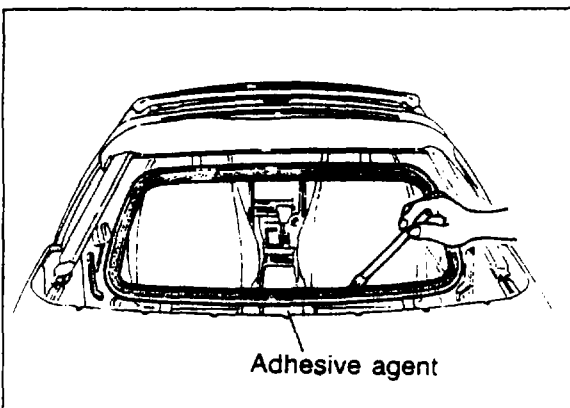
87U14X-082

5. Install the rear insulator to the forming bar B with the screws.



87U14X-083

6. Stick the insulator (the lower face) so that the center of the forming bar A and the insulator (the lower face) "V" cut put together.



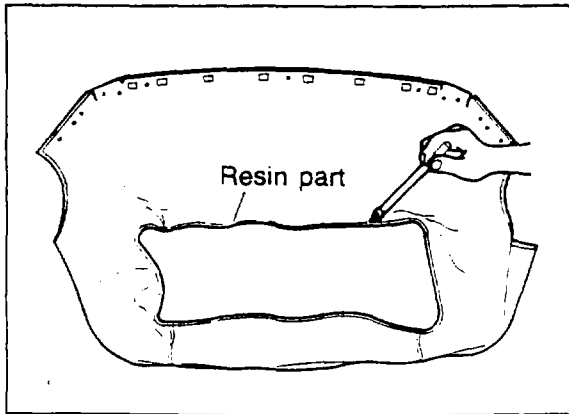
87U14X-084

### Headliner

1. Clean the back window frame with ethyl alcohol.
2. Apply the adhesive agent around the rear window frame with a brush.

### Note

Leave the adhesive agent for three minutes.

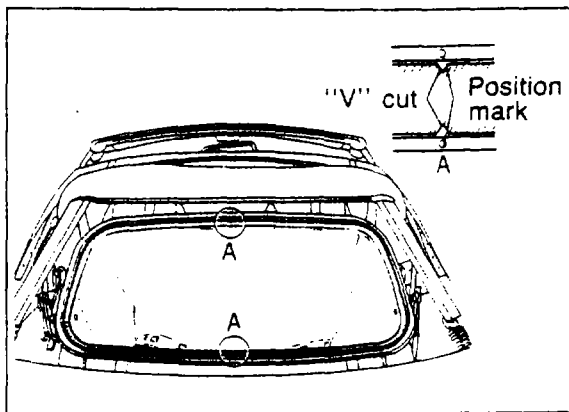


87U14X-085

3. Clean the resin part of the headliner with ethyl alcohol.
4. Apply the adhesive agent to the resin part of the headliner with a brush.

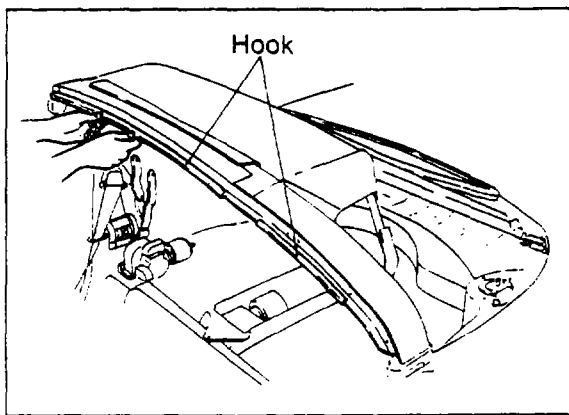
**Note**

**Leave the adhesive agent for three minutes.**



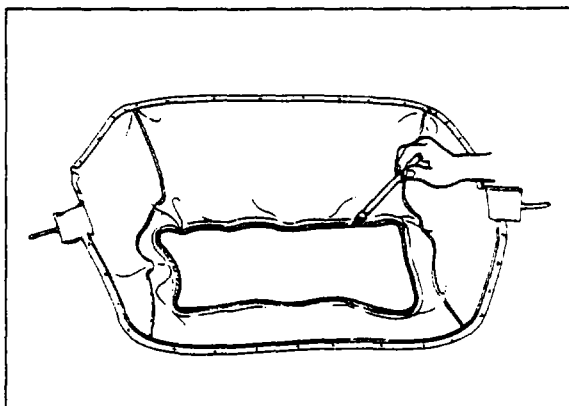
87U14X-086

5. Align the top and bottom of the rear window frame and the headliner "V" cut together. Then install the headliner from the center of the top and bottom.



87U14X-087

6. Hang the hook of the headliner to the forming bar A.
7. Install the headliner to the body (Refer to page 14—66).



87U14X-088

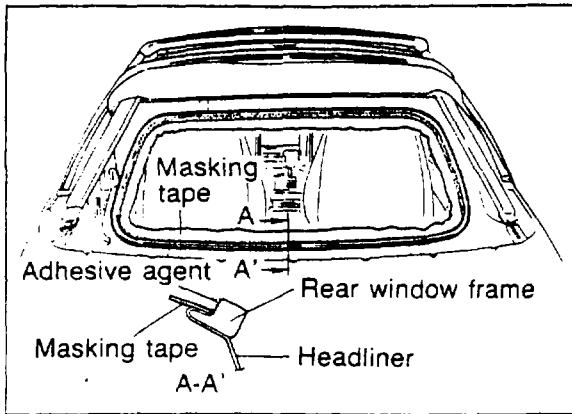
**Hood Outer**

1. Clean the adhesion part of the rear window frame in the hood outer with ethyl alcohol.
2. Apply the adhesive agent to the adhesion part of the rear window frame in the hood outer with width of 5 cm (2.0 in) all around.

**Note**

**Leave the adhesive agent for three minutes.**

# 14 CONVERTIBLE TOP

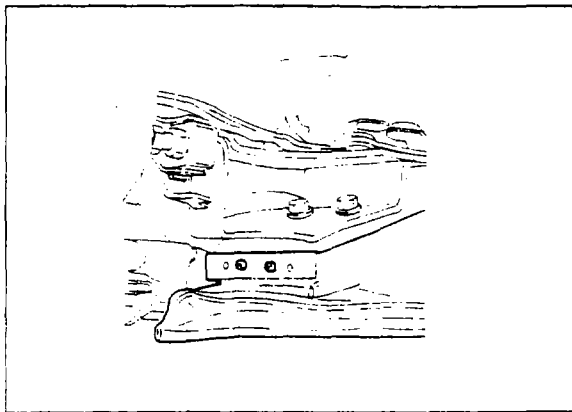


87U14X-089

3. Stick the masking tape to the headliner stuck on the rear window frame, then stick the adhesive agent to the rear window frame.

**Note**

**Leave the adhesive agent for three minutes.**



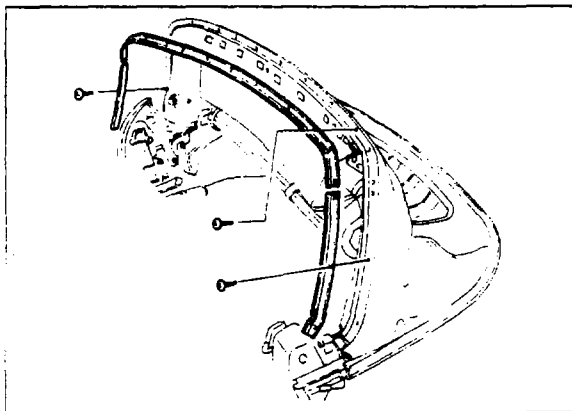
87U14X-090

4. Cover the hood outer to the forming bar assy. Insert the ends of the hood outer to the forming bar A.

**Note**

**Lower the forming bar assy fully.**

5. Install the hood outer to the forming bar A with the screws.



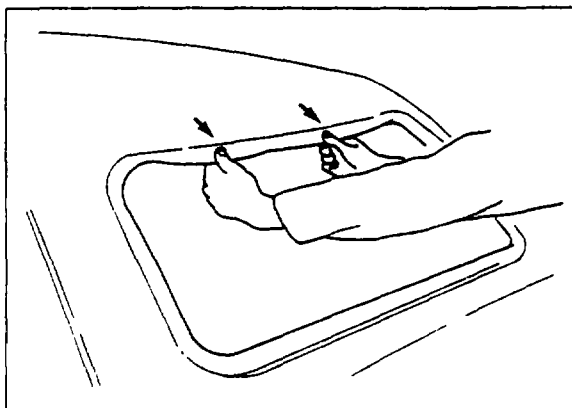
87U14X-091

6. Hold the front edge of the hood outer to the forming bar A.

**Note**

**Lower the forming bar assy half-way.**

7. Install the hood outer and the forming bar retainer to the forming bar A with the screws.

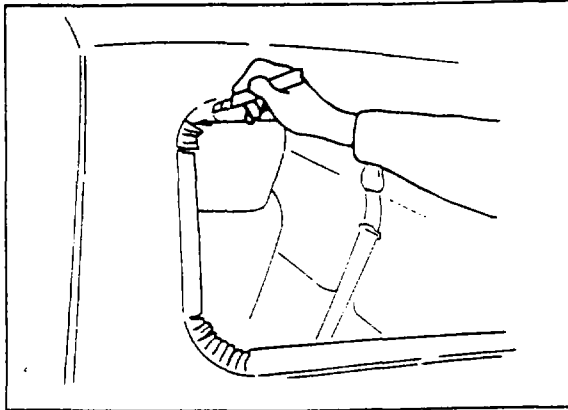


87U14X-092

8. Install the hood outer to the body. (Refer to page 14—65)
9. Keep pulling out the hood outer forward the center. And stick the hood outer except the corners.

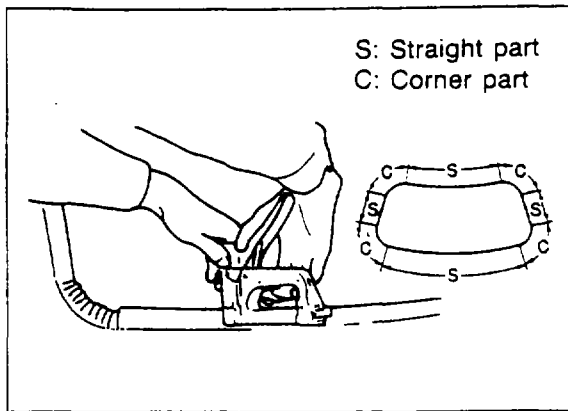
**Note**

**Raise the forming bar assy completely.**



87U14X-093

10. Make the cut line to the corner of the hood outer with a cutter. Stick the corner of the hood outer to the rear window frame without creasing.



87U14X-094

11. Install the rear window frame the straight and corner part of the hood outer with a tack.

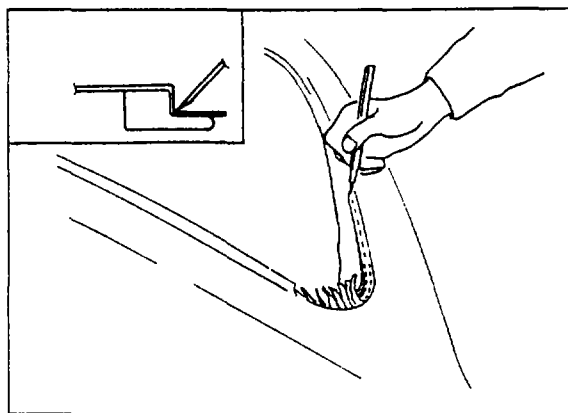
**Tack space**

**Straight part: 20 mm**

**Corner part: no space**

**Note**

**If tack doesn't get into the hood outer completely, try again.**

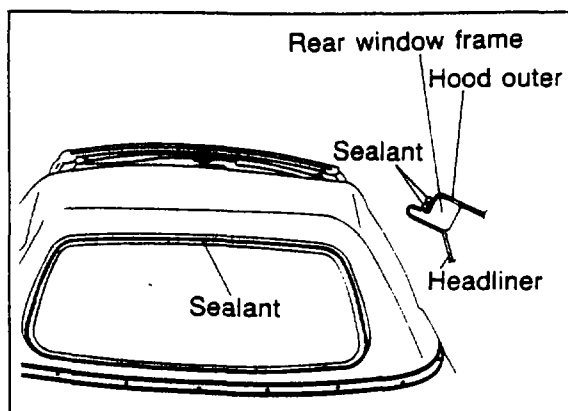


87U14X-095

12. Cut the remain part of the hood outer with a cutter.

**Note**

**Be careful not to damage the rear window belt and the headliner.**

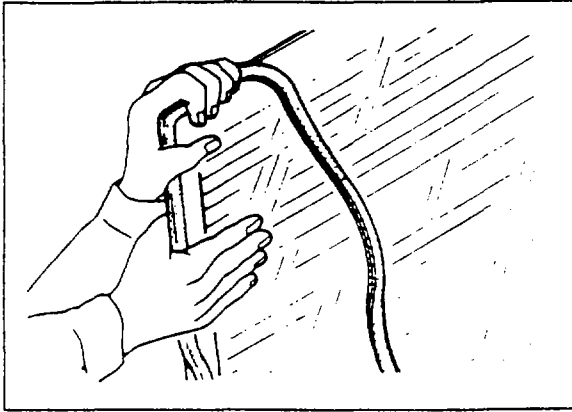


87U14X-096

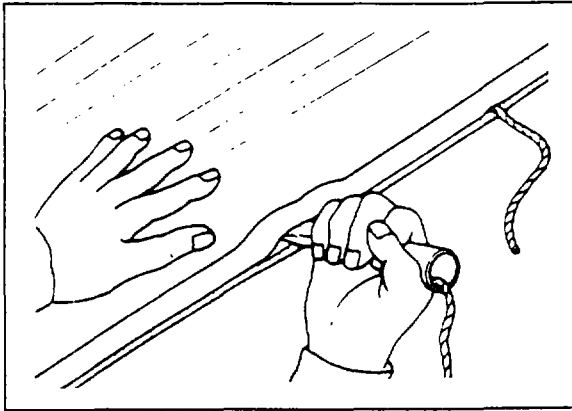
**Rear Window Glass**

1. Apply the sealant (BM-5) or equivalent doubly to the corner of the rear window frame all around.

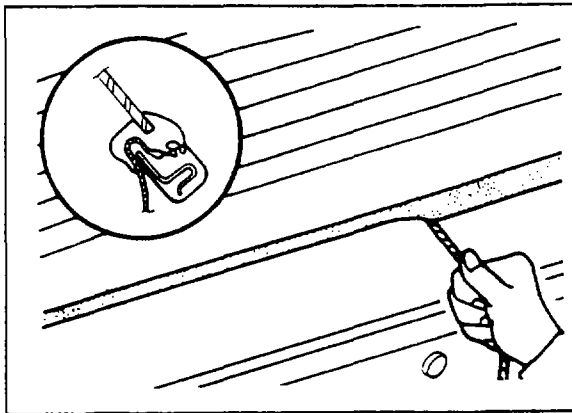
# 14 CONVERTIBLE TOP



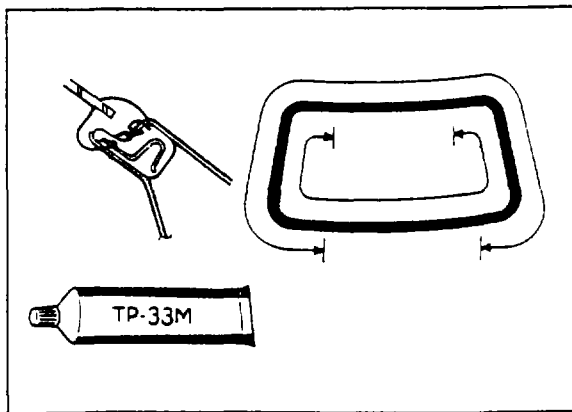
87U14X-097



87U14X-098



87U14X-099



87U14X-100

2. Install the weatherstrip to the rear window glass.

3. Install the rope into the weatherstrip so that the rope cross with 50 mm long shown in the figure.

4. Apply soap suds to slide between the weatherstrip and the body.

5. Set surely the glass and the weatherstrip to the body.

6. Keep patting near the weatherstrip, then pull the other end of the rope gradually to install the rear window glass to the rear window frame.

7. Pat the rear window glass from inside and outside by hands so that the rear window glass fits the rear window frame.

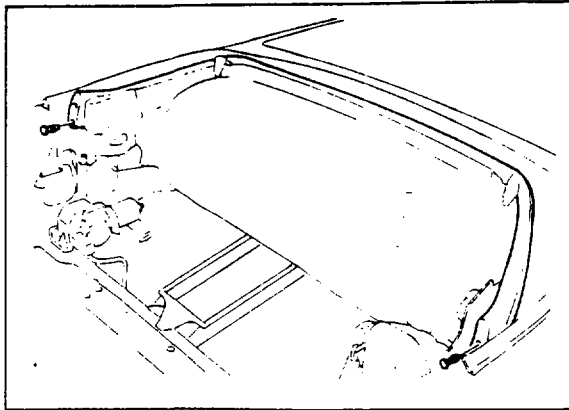
8. Install the defog harness connectors.

## Inspection of Water Leaks

Inspect if water leaks out. If water leaks out, wipe off the water and apply TP-33M or equivalent.

## Removing Wrinkles of Headliner

Use steam to remove wrinkles. (A steamer machine will provide best results for large wrinkles.)



87U14X-101

### Forming Bar Weatherstrip

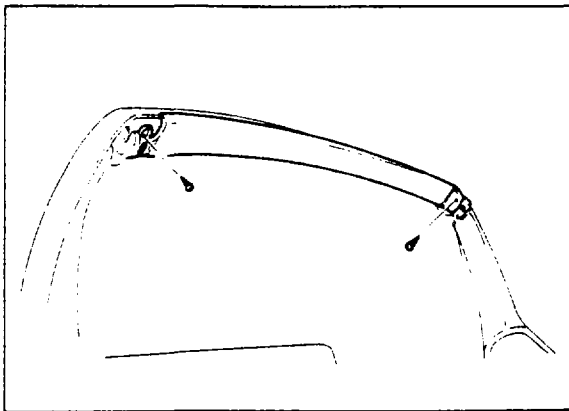
Install the forming bar weatherstrip to the forming bar A and the forming bar retainer with the fasteners.

#### Note

**Lower the convertible top fully.**

### Link Cover

(Refer to page 14—65)



87U14X-102

### Forming Bar Trim

Install the forming bar trim to the forming bar A.

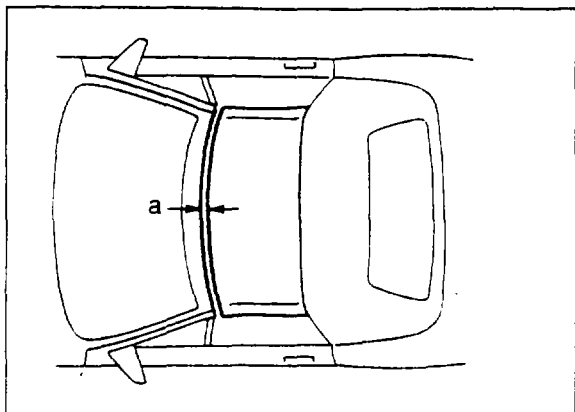
#### Note

**Raise the convertible top completely.**

Refer to page 14—66 after steps of the quarter trim.



# 14 CONVERTIBLE TOP



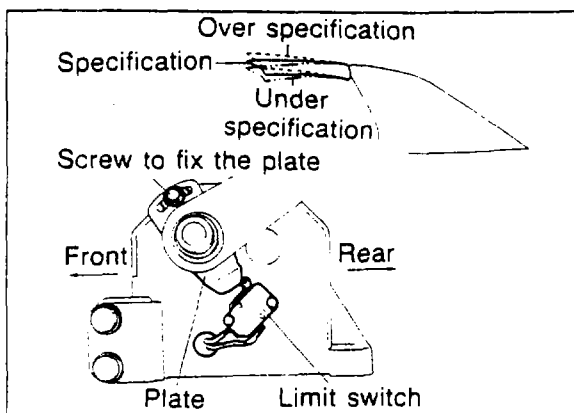
87U14X-103

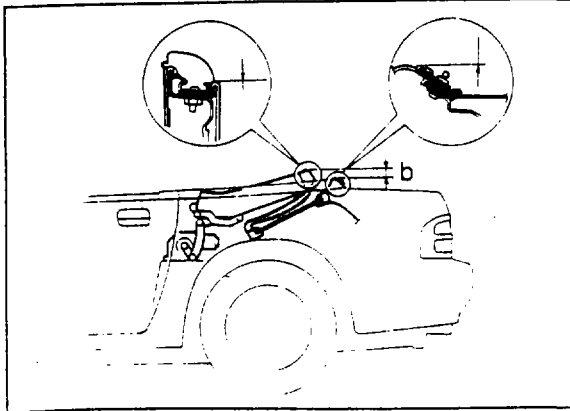
## ADJUSTMENT

### Adjustment of Limit Switch of Raise Side

Move the plate of the left side's motor and adjust "a" shown in the figure.

$$a = 6\text{mm}$$

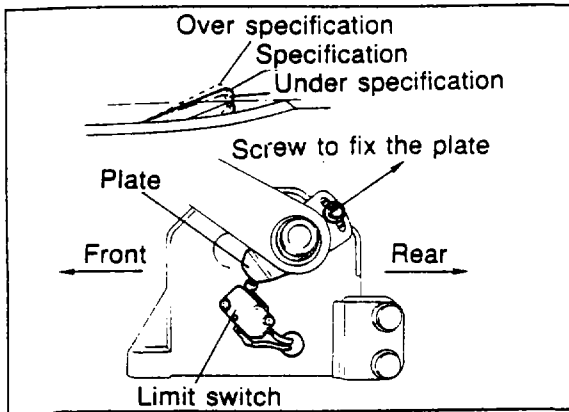




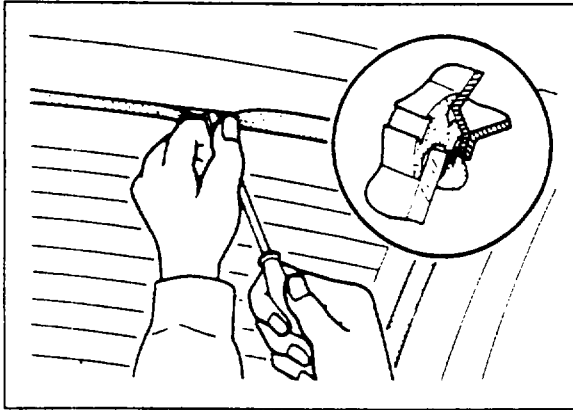
87U14X-104

**Adjustment of Limit Switch of Lower Side**  
 Move the plate of the right side's motor and adjust "b" shown in the figure.

$$b = 0 \pm 10 \text{ mm}$$



# 14 CONVERTIBLE TOP



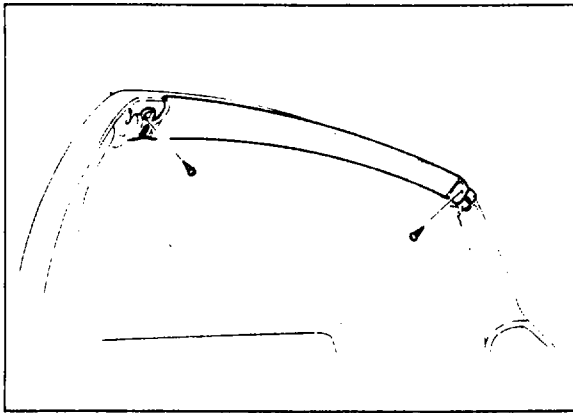
87U14X-105

## REMOVAL OF HEADLINER

Refer to removal of the convertible top (page 14—61 — 14—63) from the roof panel to the defog harness connectors.

## Rear Window Glass

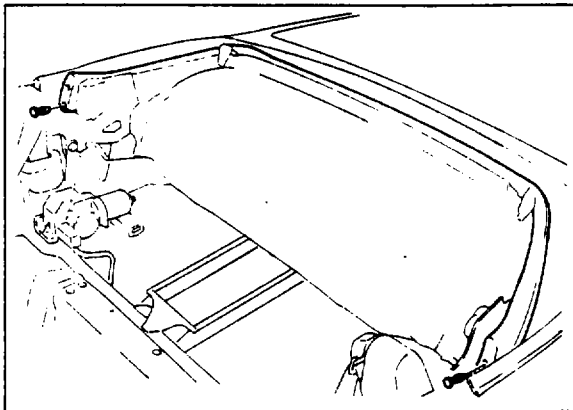
Lift the weatherstrip with a wood spatula inside the room and remove the rear window glass with the weatherstrip.



87U14X-106

## Forming Bar Trim

Remove the screws, then remove the forming bar trim from the forming bar retainer.



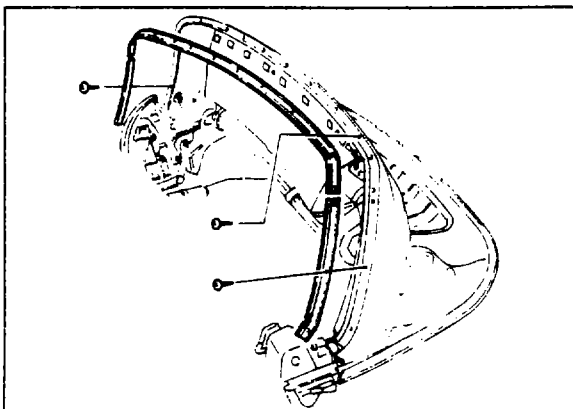
87U14X-107

## Forming Bar Weatherstrip

Remove the fasteners, then remove the forming bar weatherstrip from the forming bar retainer.

### Note

**Lower the convertible top fully.**



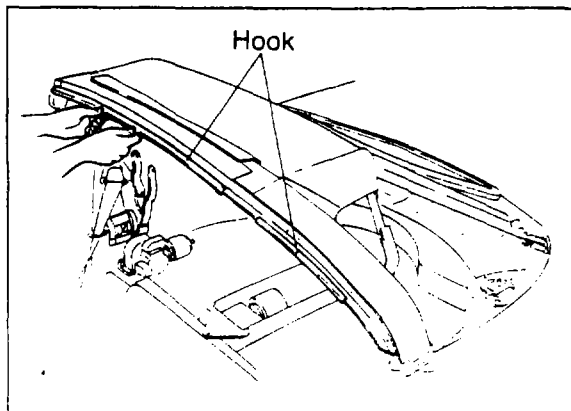
87U14X-108

## Forming Bar Retainer

Remove the screws, then remove the forming bar retainer from the forming bar A.

### Note

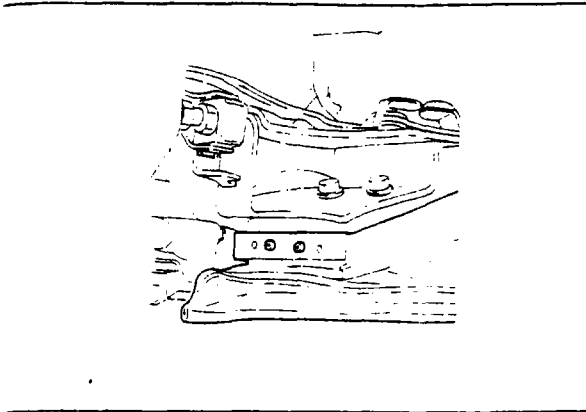
**Raise the convertible top completely.**



37U14X-109

## Headliner

1. Remove the hook of the headliner from the forming bar A.
2. Remove the rear headliner from the body. (Refer to page 14—63)
3. Remove the adhesive agent of the rear window frame, then remove the headliner.



87U14X-110

## HOOD OUTER Removal

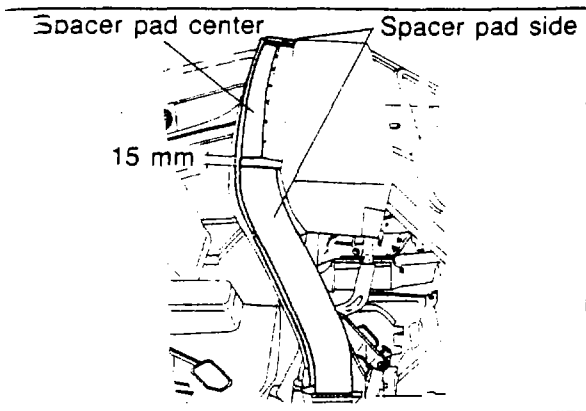
1. Remove the screws, then remove the hood outer from the forming bar.
2. Remove the hood outer from the body.
3. Remove tack from the hood outer, then remove the hood outer from the rear window frame.

### Note

**Lower the hood outer fully.**

## Installation

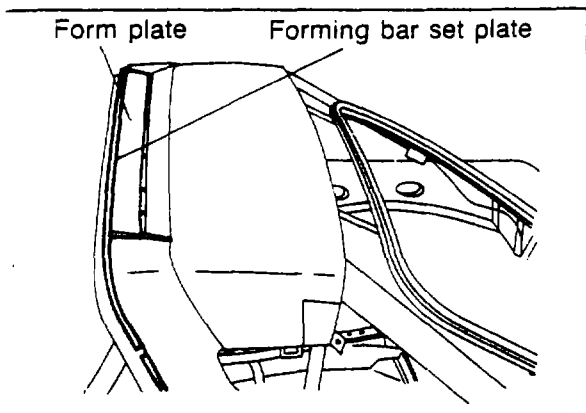
Reverse order of removal.



87U14X-111

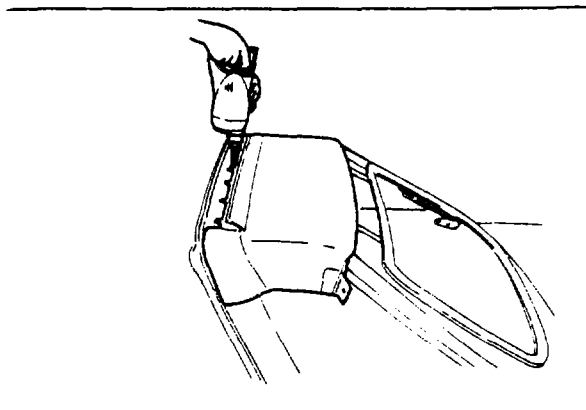
## INSULATOR Removal

1. Remove the spacer pad center and side from the forming bar A.



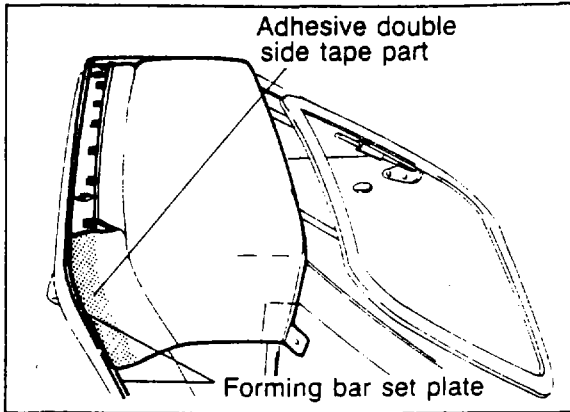
87U14X-112

2. Remove the foam plate from the forming bar A.



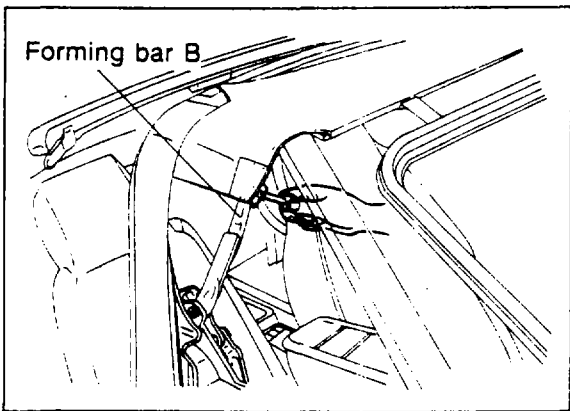
87U14X-113

3. Remove the rivets from the insulator with a drill ( $\phi 4.5$ ).



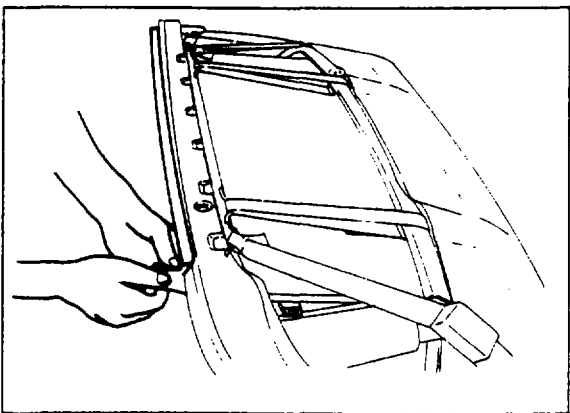
87U14X-114

4. Remove the adhesion part of the front insulator (the upper face) from the forming bar A.



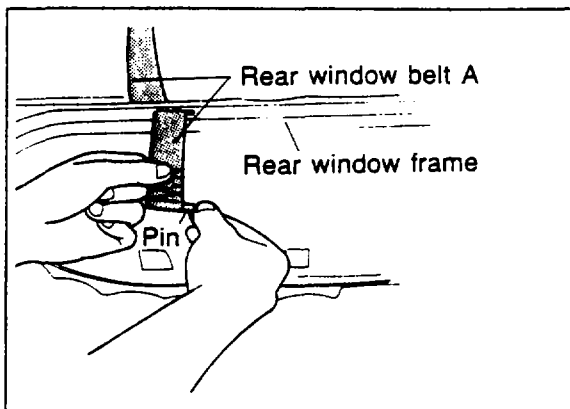
87U14X-115

5. Remove the screws, then remove the rear insulator from the forming bar B.



87U14X-116

6. Remove the insulator (the lower face) from the forming bar A.



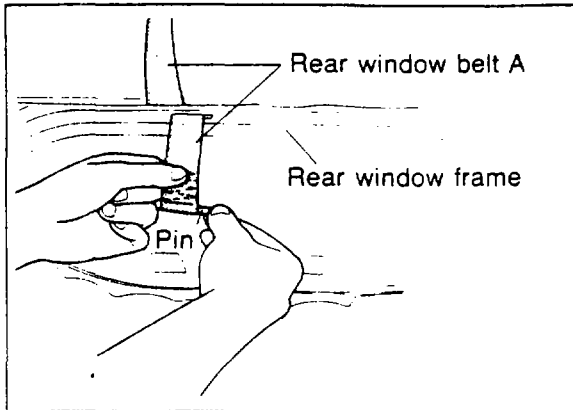
87U14X-117

7. Remove the pin of the rear window glass, then remove the insulator.

**Note**

**Lower the forming bar assy half-way.**

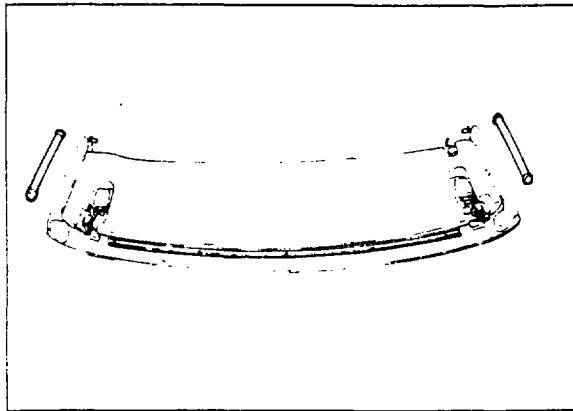
# 14 CONVERTIBLE TOP



87U14X-118

## Installation

Reverse order of removal.

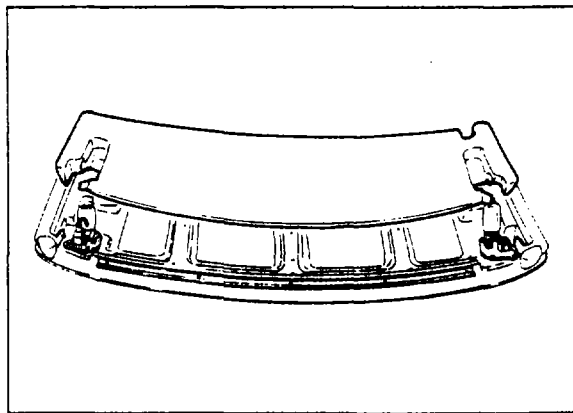


87U14X-119

## ROOF PANEL

### Disassembly

1. Seaming welt (both the right and left)



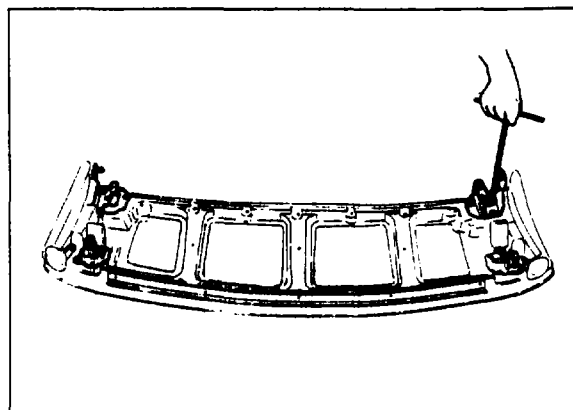
87U14X-120

2. Top trim

Remove the clips, then remove the top trim from the roof panel.

### Note

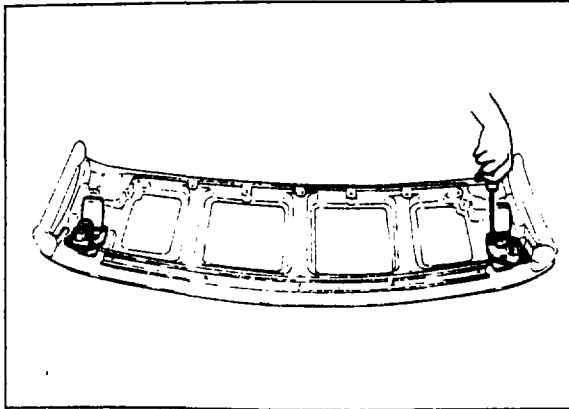
Move the top lock in the LOCK position.



87U14X-121

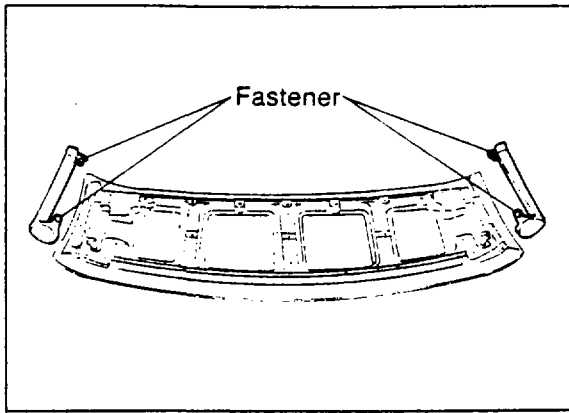
3. Hinge (both the right and left)

Remove the bolts, then remove the hinge from the roof panel.



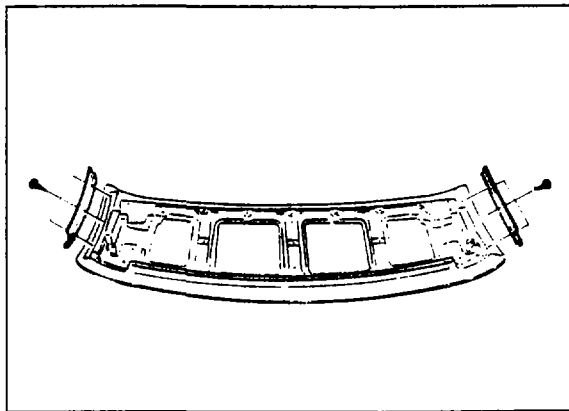
87U14X-122

4. Top lock (both the right and left)  
Remove the screws, then the top lock from the roof panel.



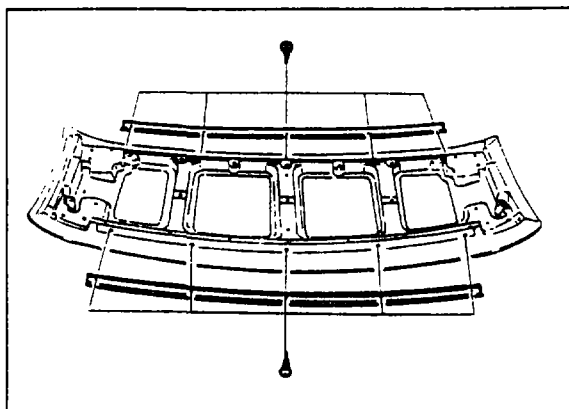
87U14X-123

5. Weatherstrip (both the right and left)  
Remove the fasteners, then remove the weatherstrip from the roof panel.



87U14X-124

6. Retainer (both the right and left)  
Remove the screws, then remove the retainer from the roof panel.

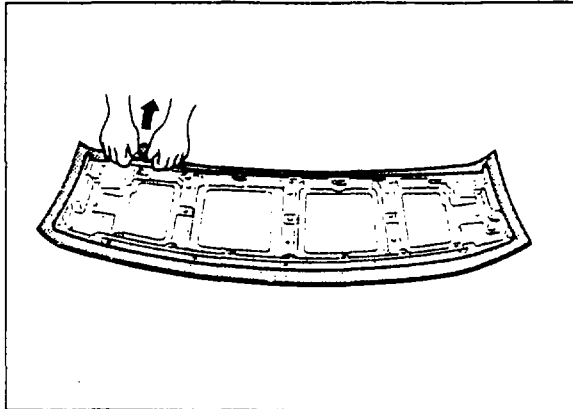


87U14X-125

7. Set plate (both front and rear)  
Remove the screws, then remove the set plate from the roof panel.

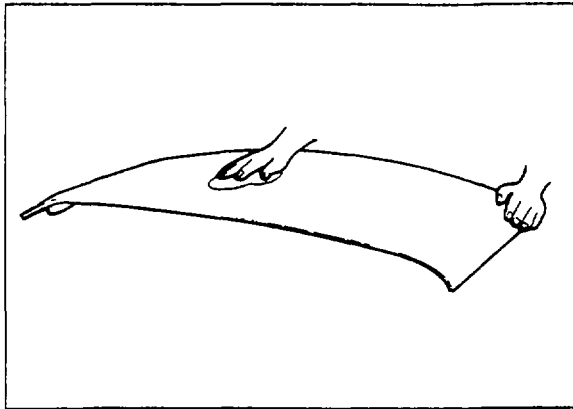


# 14 CONVERTIBLE TOP



87U14X-126

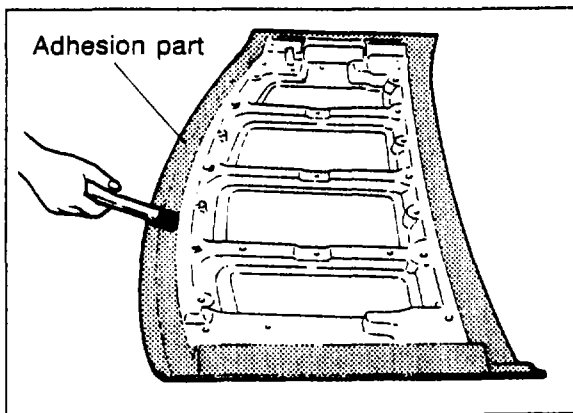
8. Roof cloth  
Remove the roof cloth from the roof panel.



87U14X-127

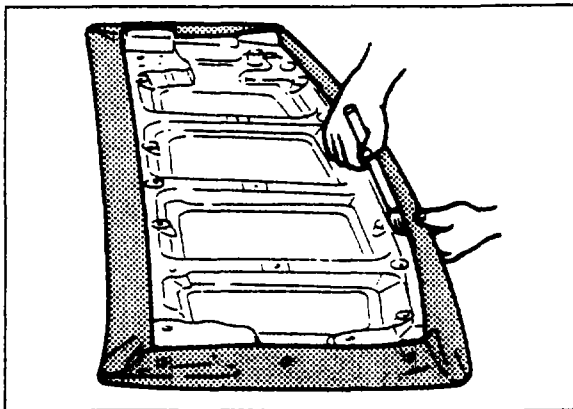
## Assembly

1. Roof cloth  
(1) Clean the adhesion part and the upper part of the roof panel with ethyl alcohol.



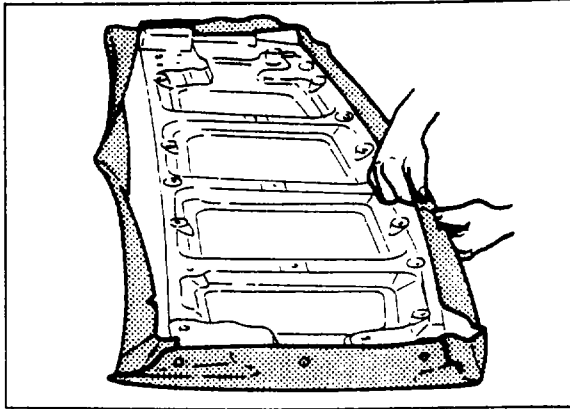
87U14X-128

- (2) Apply the adhesive agent to the roof panel shown in the figure.



87U14X-129

- (3) Clean the adhesion part of the roof cloth with ethyl alcohol.  
(4) Cover the roof cloth to the roof panel, then apply the adhesive agent to the roof cloth.

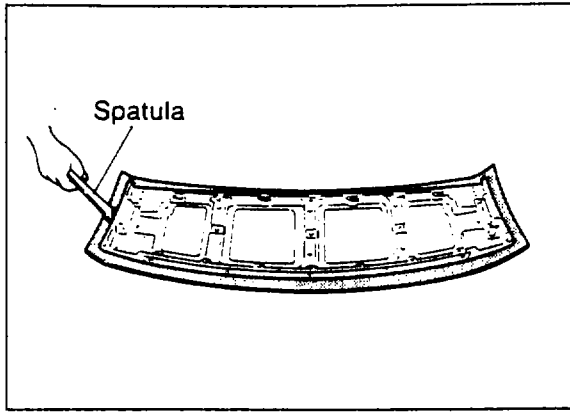


87U14X-130

**Caution**

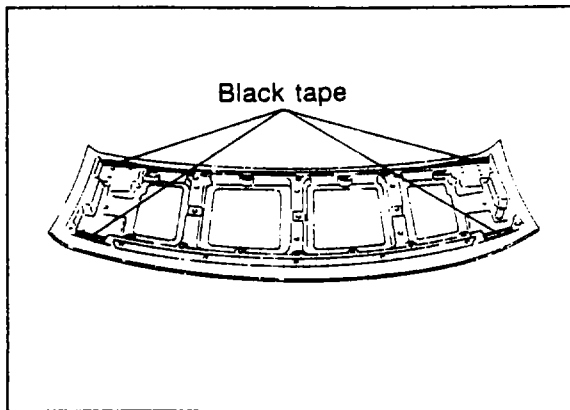
**Use care to avoid wrinkles and bubbles by applying roof cloth evenly from the center outwards as follows.**

- (5) Stick the resin part of the front roof cloth to the roof panel from the center.
- (6) Stick the rear roof cloth to the roof panel from the center.
- (7) Stick the side roof cloth to the roof panel from the center.



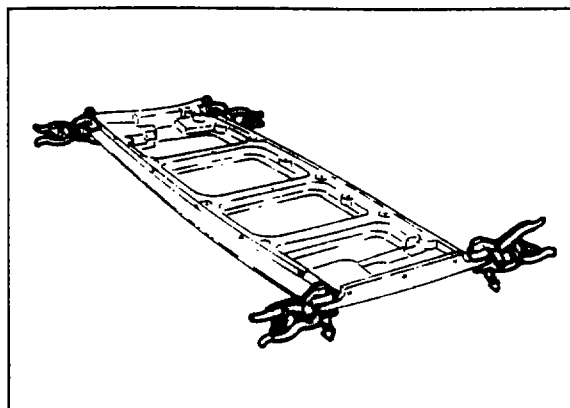
87U14X-131

- (8) Stick surely the adhesion part of the roof cloth with a spatula shown in the figure.



87U14X-132

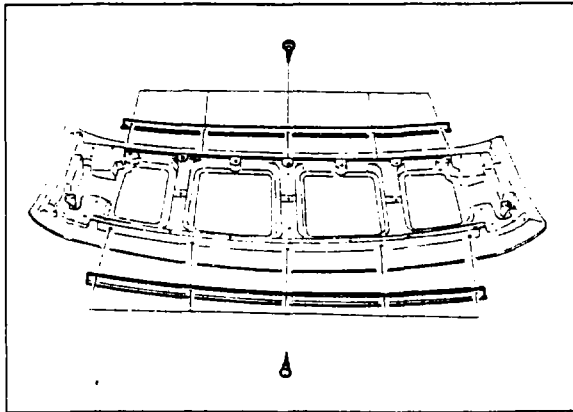
- (9) Stick the black tape or equivalent to reinforce the roof cloth in the corner of the roof cloth shown in the figure.
- (10) Cut the space of the roof cloth with a cutter.



87U14X-133

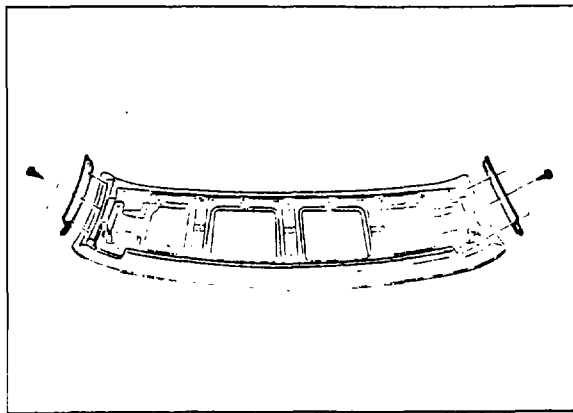
- (11) Use the plastic panel in the corner of the roof cloth and fix the roof cloth with a wrench.

# 14 CONVERTIBLE TOP



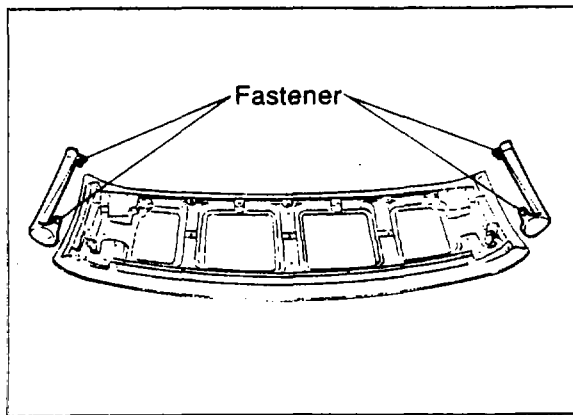
87U14X-134

2. Set plate (both the right and left)  
Install the set plate to the roof panel with the screws.



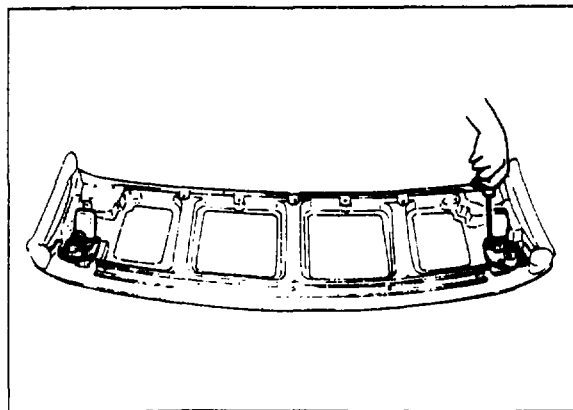
87U14X-135

3. Retainer (both the right and left)  
Install the retainer to the roof panel with the screws.



87U14X-136

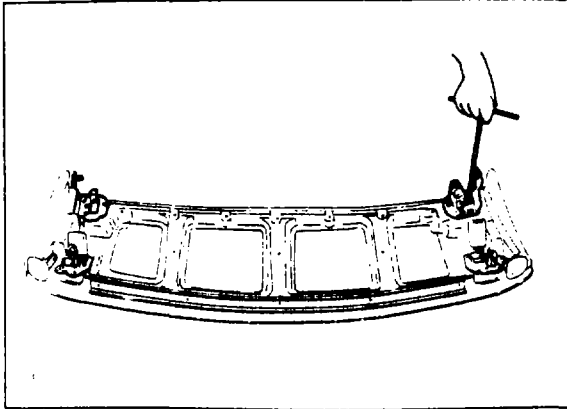
4. Weatherstrip (both the right and left)  
Install the weatherstrip to the roof panel with the fasteners.



87U14X-137

5. Top lock (both the right and left)  
Install the top lock to the roof panel with the screws.

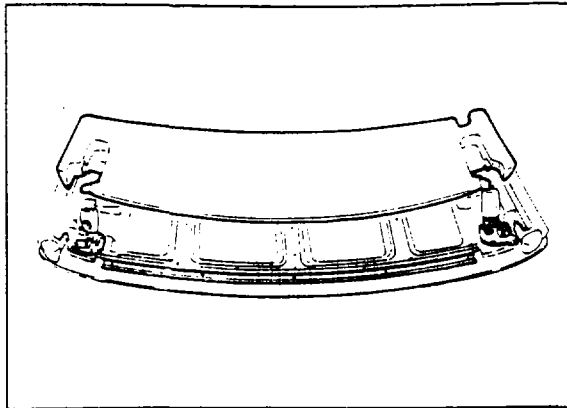
**Tightening torque: 4.2—6.2 N·m  
(43—63 cm·kg, 37.3—54.7 in·lb)**



87U14X-138

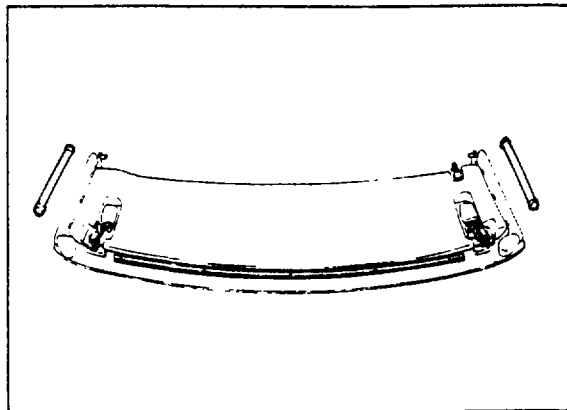
6. Hinge (both the right and left)  
Install the hinge to the roof panel with the bolts.

**Tightening torque: 6.9—9.8 N·m**  
**(70—100 cm·kg, 60.8—86.8 in·lb)**



87U14X-139

7. Top trim  
Install the top trim to the roof panel with the clips.



87U14X-140

8. Seaming welt

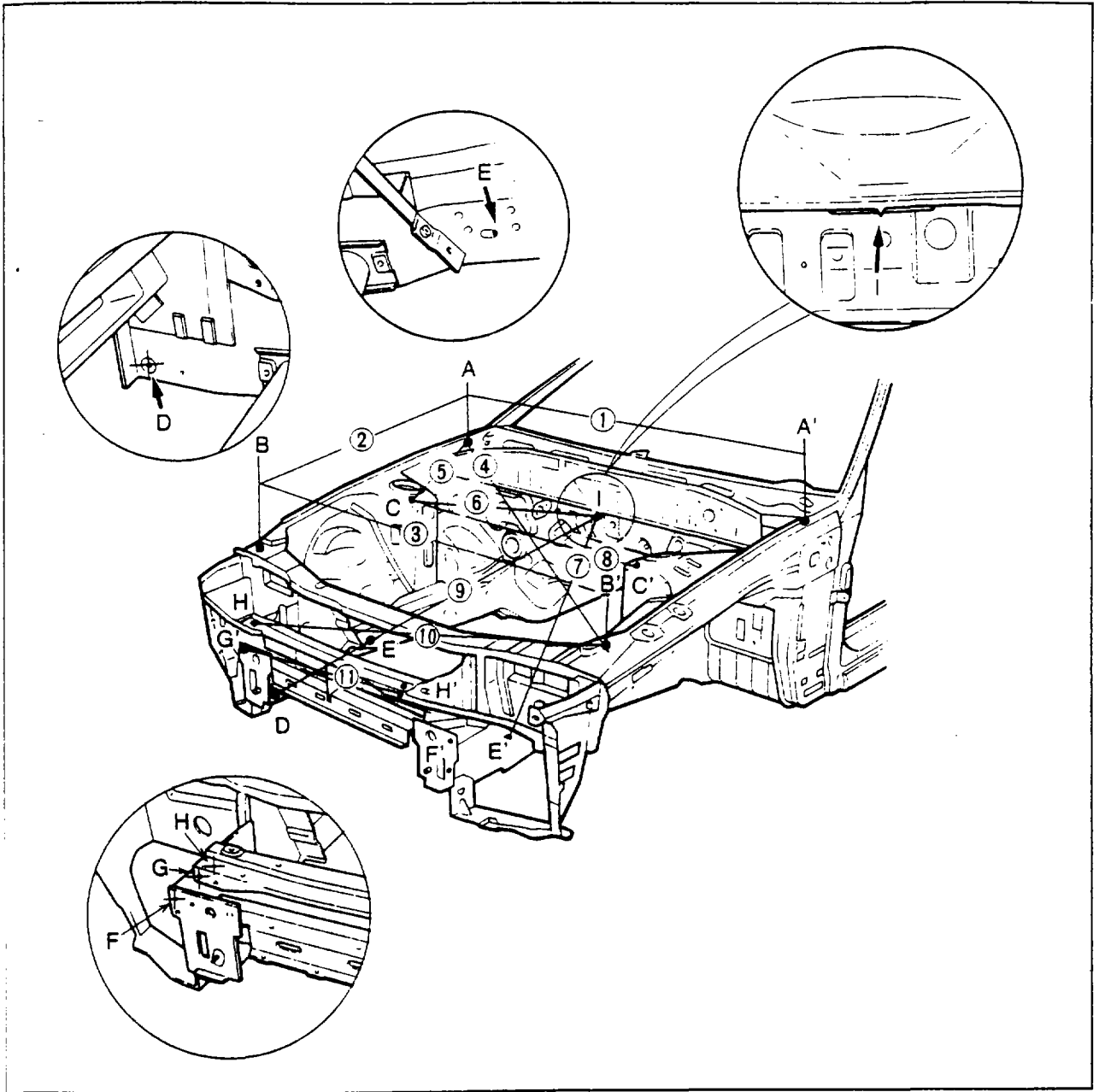
# 14 CONVERTIBLE TOP

## TOOL FOR SERVICING AND REPLACING CONVERTIBLE TOP

K180 W0 313	For installing HOOD OUTER ASSY and HEADLINER	TACK	For installing HOOD OUTER ASSY
STAPLE	For installing HOOD OUTER ASSY and BELT	RIVETER	For installing INSULATOR
ALUMINUM RIVET $\phi 4.0$ ( $\phi 0.16$ )	For installing INSULATOR	DRILL $\phi 4.5$ ( $\phi 0.18$ )	For removing RIVET
BM-5 K120 W0 218	SEALANT 12m (39.4 ft)	TP-33M	GLASS SEALANT
ADHESIVE DOUBLE TAPE	For sticking INSULATOR	BLACK TAPE	For ROOF CLOTH
SPRAY	For smoothing out wrinkles	ETHYL ALCOHOL	For cleaning

mm (inch)  
87U14X-146

FRONT BODY DIMENSIONS



87U14X-141

- A, A' :Front fender mounting nut
- B, B' :Front fender mounting nut
- C, C' :Front suspension mounting block mounting hole
- D, D' :Tie-down hook mounting nut
- E, E' :Front frame reference hole
- F, F' :Front side frame reference hole
- G, G' :Fender upper stay mounting nut
- H, H' :Front fascia mounting nut
- I, I' :Cowl panel point

Mea sure ment	Length mm (in)
1	1384 (54.49)
2	873 (34.37)
3	1354 (53.31)
4	1624 (63.94)
5	504 (19.84)
6	613 (24.13)
7	887 (34.92)
8	943 (37.13)
9	1205 (47.44)
10	1052 (41.42)
11	788 (31.02)

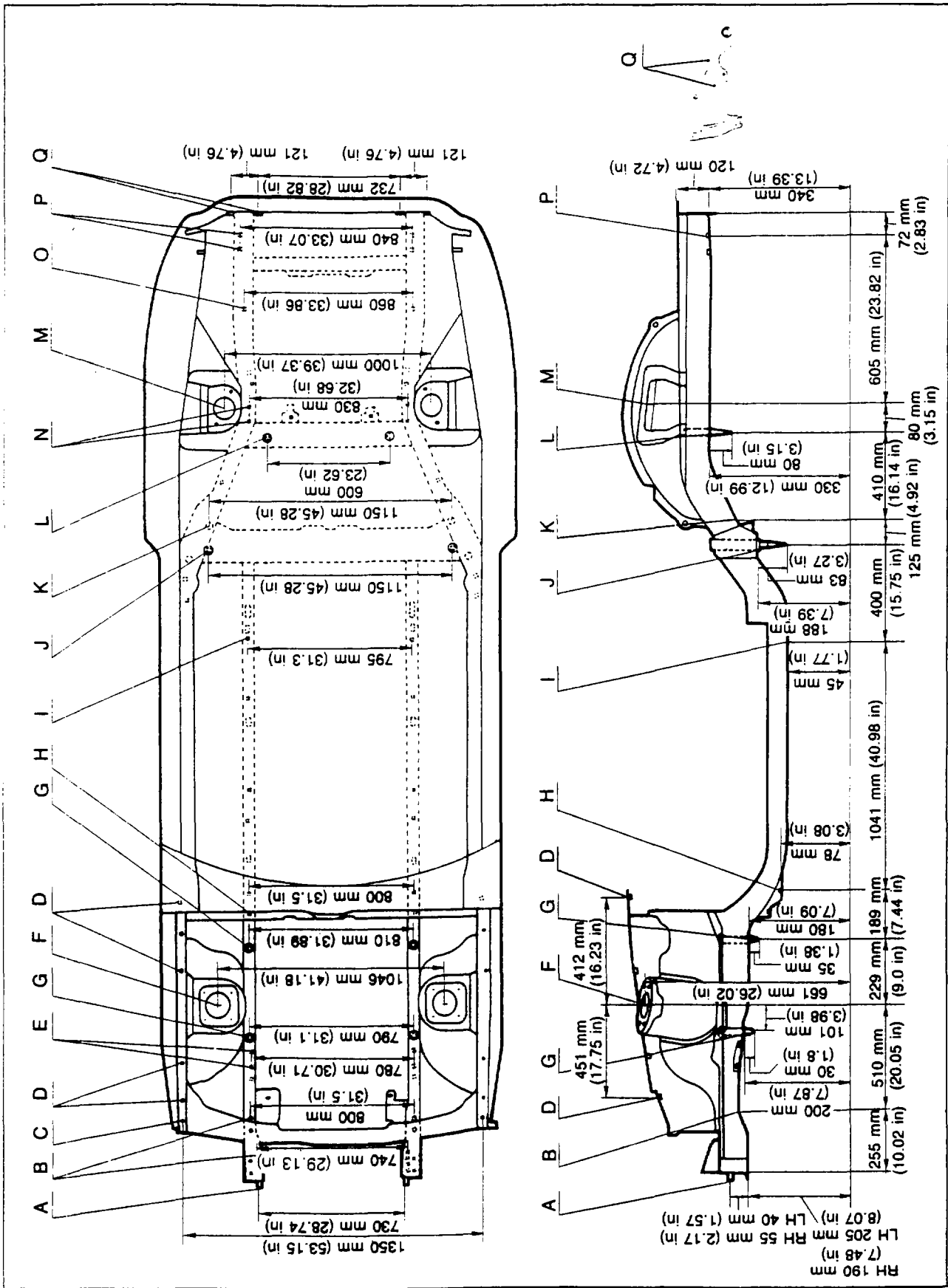


- A:Front bumper mounting bolt
- B:Tie-down hook mounting nut
- C:Under cover mounting nut
- D:Front stabilizer mounting nut
- E:Front fender mounting nut
- F:Front suspension mounting block mounting hole
- G:Front fender mounting nut
- H:Front suspension mounting bolt
- I:Front frame reference hole
- J:Rear suspension member mounting bolt
- K:Rear frame reference hole
- L:Rear frame reference hole
- M:Differential member mounting bolt
- N:Rear stabilizer mounting nut
- O:Rear suspension mounting block mounting hole
- P:Rear frame reference hole
- Q:Rear frame reference hole
- R:Tie-down hook mounting nut
- S:Rear bumper mounting hole
- T:Transmission hanger bracket mounting nut (M/T model)
- U:Transmission hanger bracket mounting nut (A/T model)



# 14 UNDERBODY PROJECTED DIMENSIONS

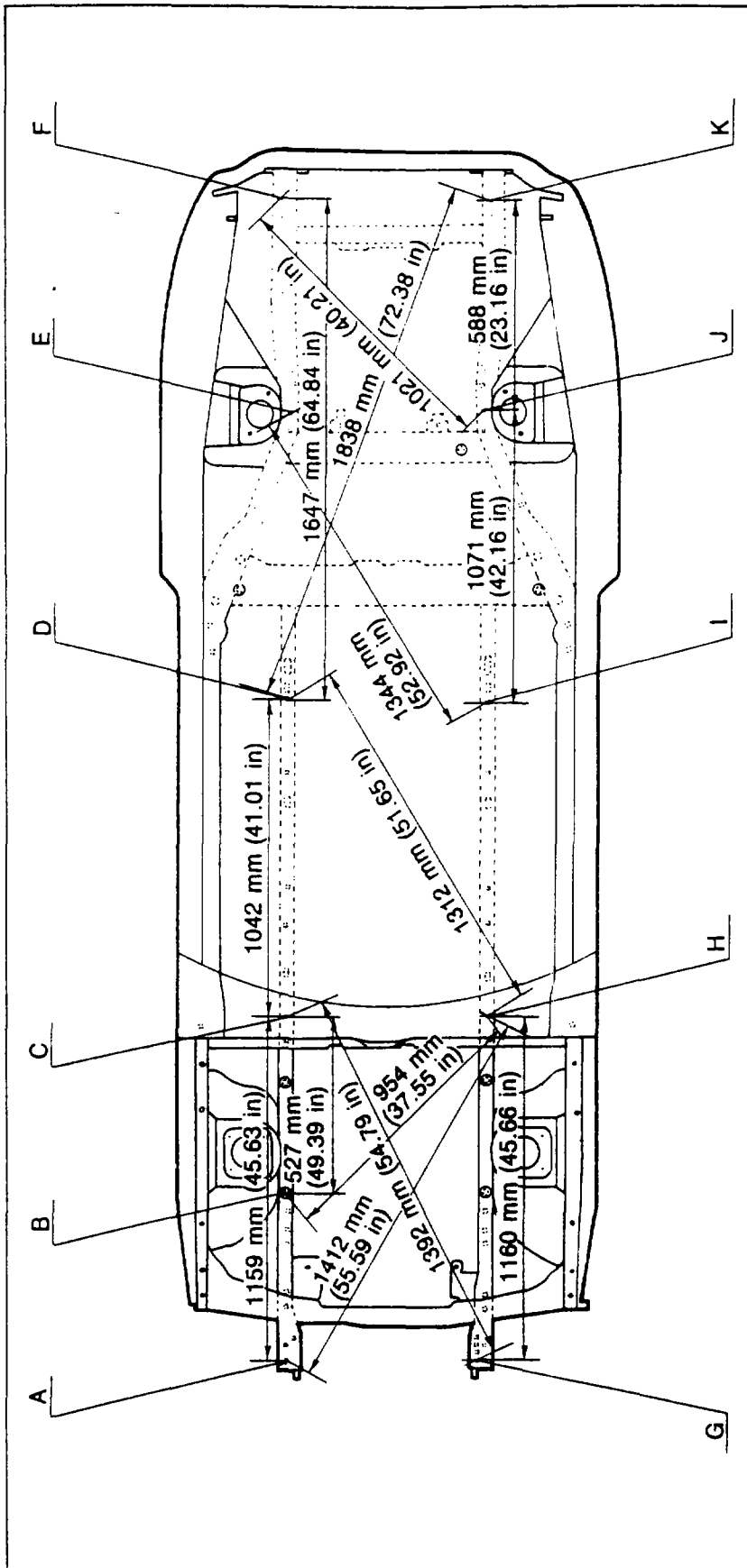
## UNDERBODY PROJECTED DIMENSIONS (CONVERTIBLE)



- A: Front bumper mounting bolt
- B: Under cover mounting nut
- C: Front fender reference hole
- D: Front fender mounting nut
- E: Front stabilizer mounting nut
- F: Front suspension mounting block mounting surface
- G: Front suspension mounting bolt
- H: Crossmember mounting nut
- I: Front frame reference hole
- J: Rear suspension member mounting bolt
- K: Rear frame reference hole
- L: Differential member mounting bolt
- M: Rear suspension mounting block mounting surface
- N: Rear stabilizer mounting nut
- O: Rear frame reference hole
- P: Tie-down hook mounting nut
- Q: Rear bumper mounting hole



## UNDERBODY STRAIGHT-LINE DIMENSIONS (CONVERTIBLE)



- H: Crossmember mounting nut
- I: Front frame reference hole
- J: Rear stabilizer mounting nut
- K: Tie-down hook mounting nut

- A: Tie-down hook mounting nut
- B: Front suspension mounting bolt
- C: Crossmember mounting nut
- D: Front frame reference hole
- E: Rear stabilizer mounting nut
- F: Tie-down hook mounting nut
- G: Tie-down hook mounting nut