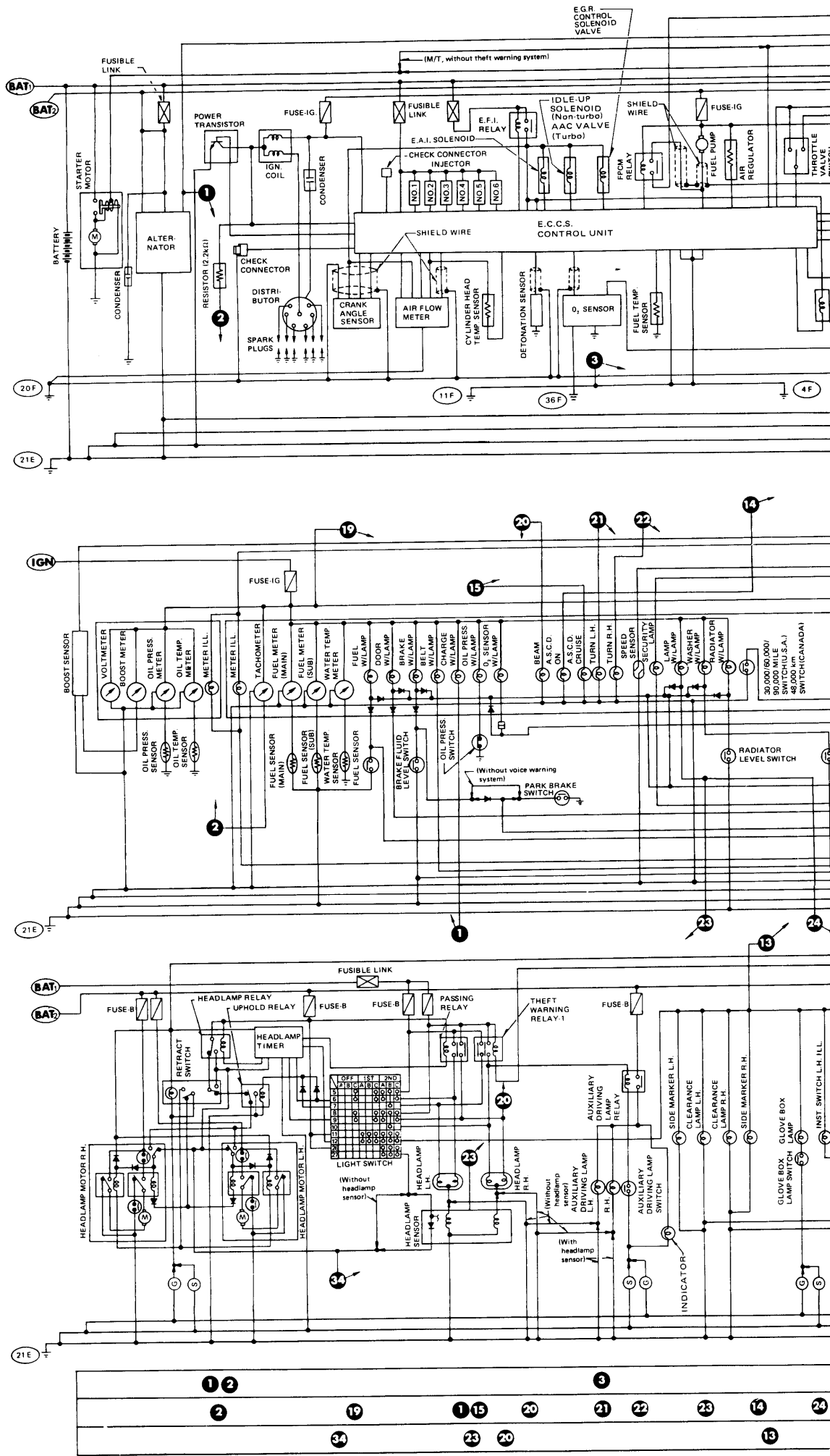
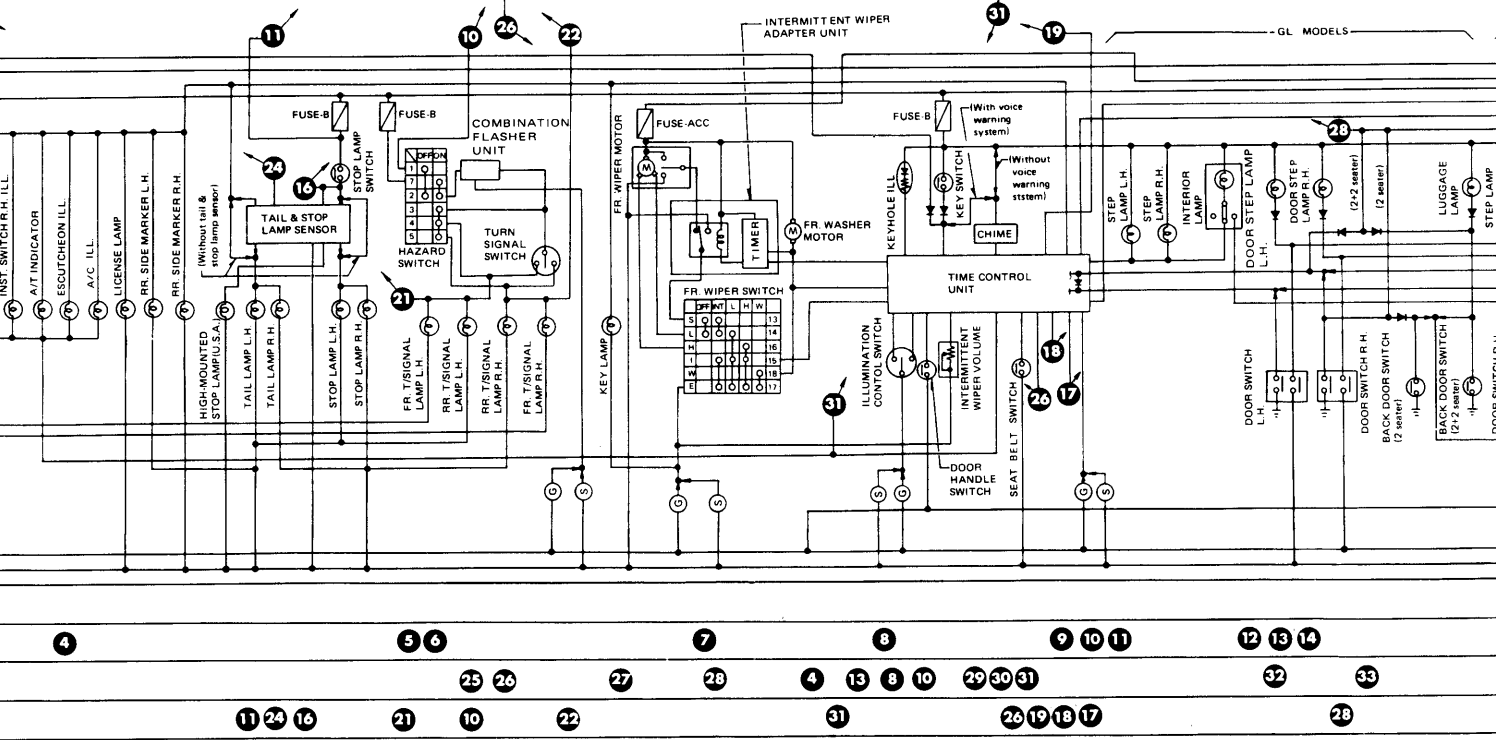
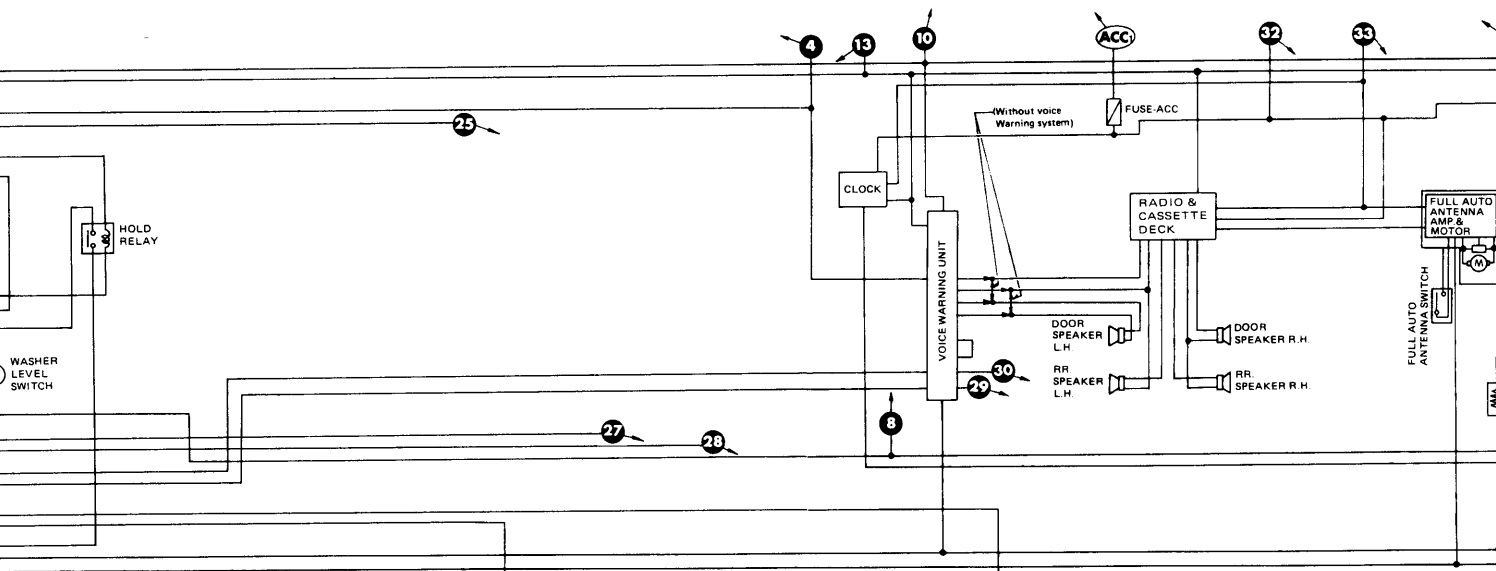
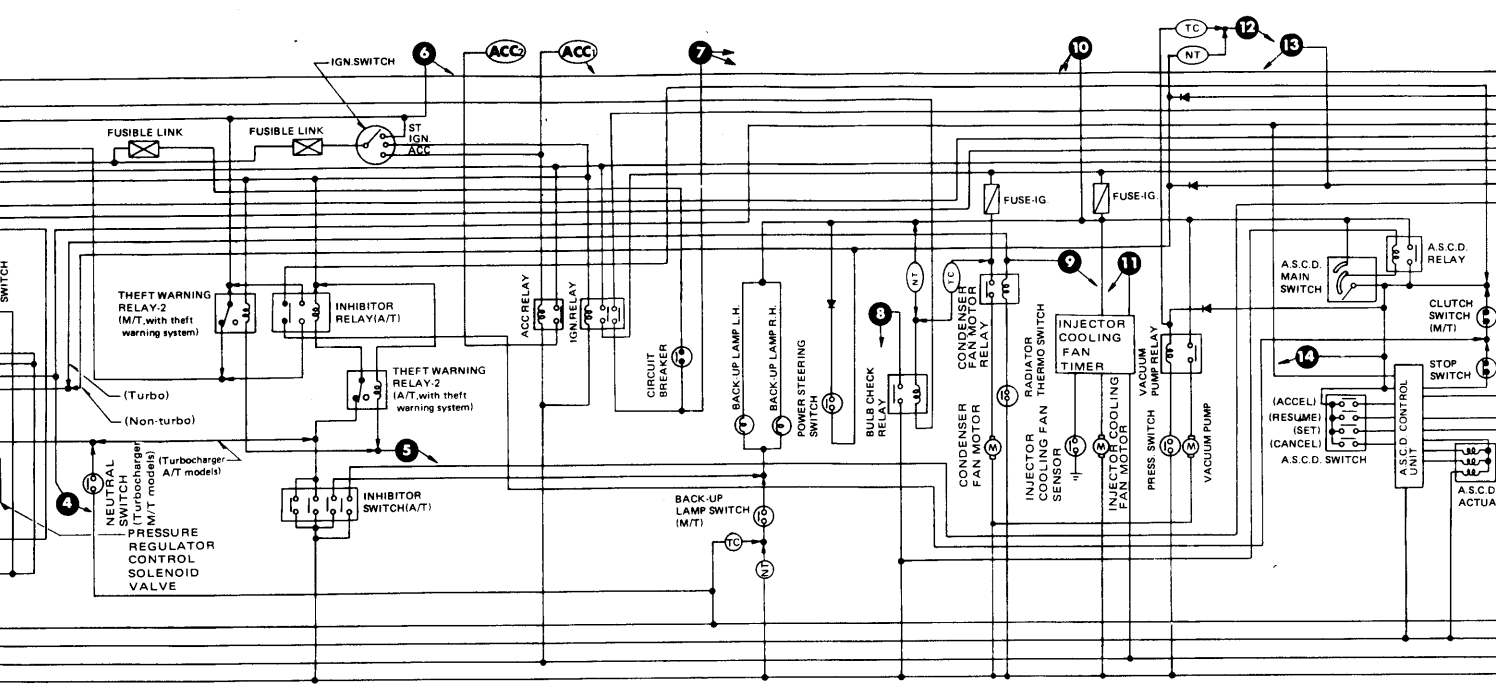
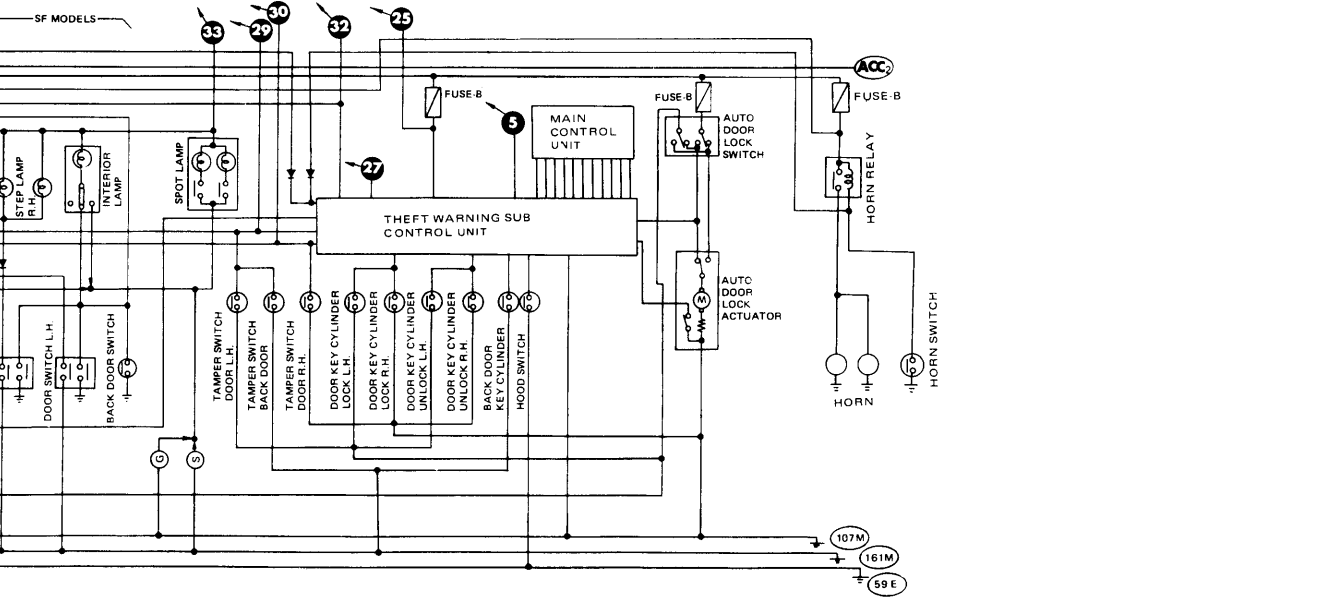
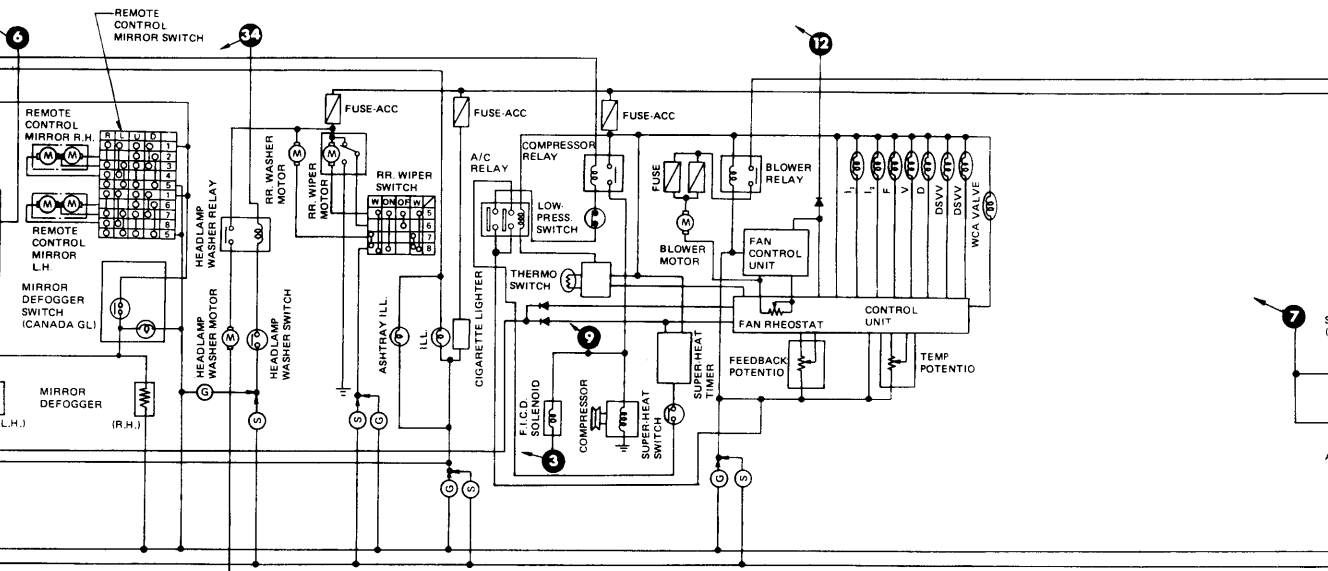
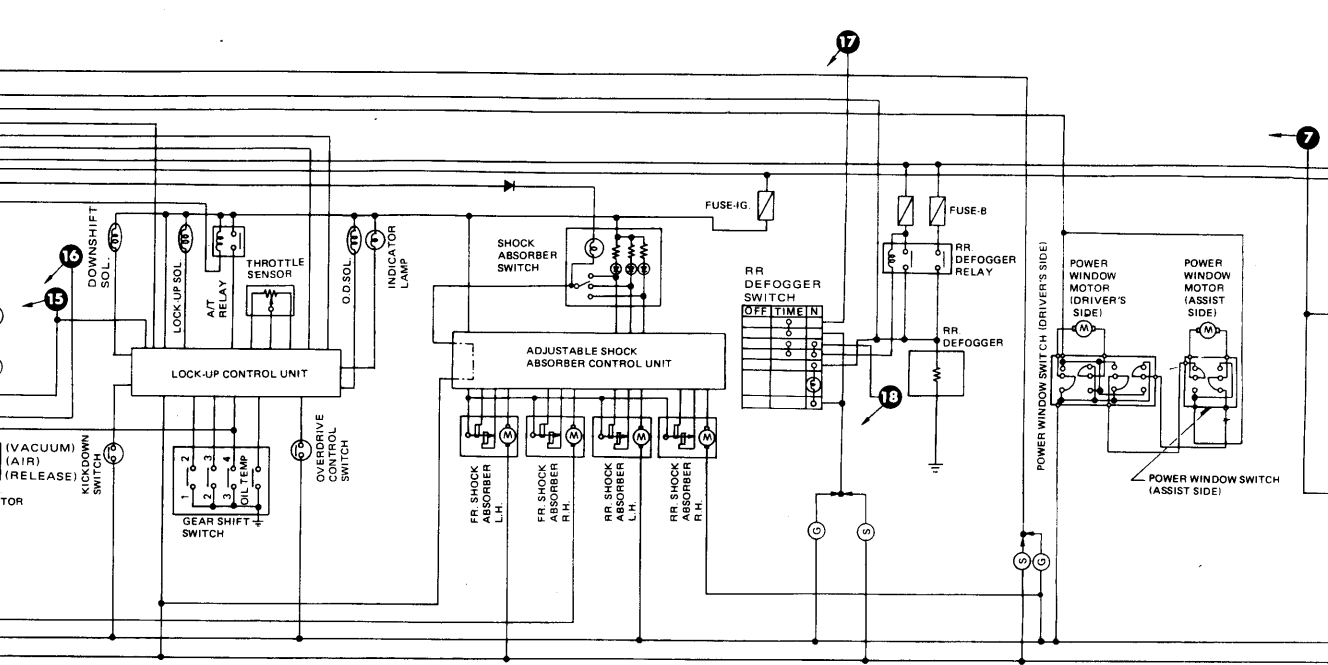


1986 NISSAN 300ZX CIRCUIT DIAGRAM [Needle type combination meter equipped model (GL and SF)]





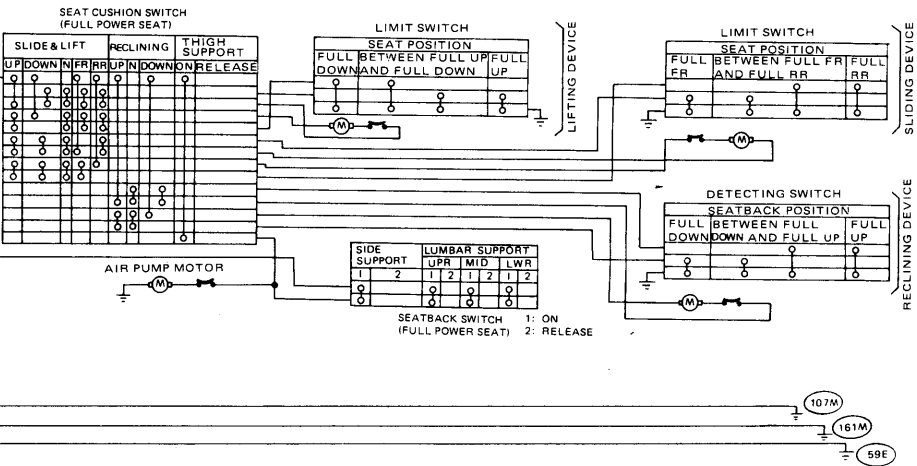
- 4 5 6 7 8 9 10 11 12 13 14
 11 24 16 21 10 22 31 26 19 18 17 28 32 33



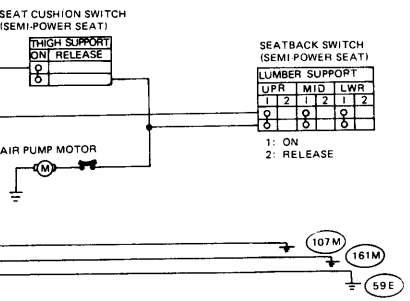
15 16 34 3 9 17 18 7 7

33 29 30 32 27 25 5 12 13

IGN BATT



ACC BATT



- | | |
|----|--------------------|
| TC | : Turbo models |
| NT | : Non-turbo models |
| S | : SF models |
| G | : GL models |