

A

ACC

C

D

E

F

G

H

I

J

K

L

M

SECTION ACC

ACCELERATOR CONTROL SYSTEM

CONTENTS

PRECAUTIONS	2	SERVICE DATA AND SPECIFICATIONS (SDS)	5
Precautions for Battery Service	2	Tightening Torque	5
ACCELERATOR CONTROL SYSTEM	3		
Removal and Installation	3		
REMOVAL	3		
INSTALLATION	3		
INSPECTION AFTER INSTALLATION	4		

PRECAUTIONS

PRECAUTIONS

PFP:00001

Precautions for Battery Service

ABS00DCX

Before disconnecting the battery, lower both the driver and passenger windows. This will prevent any interference between the window edge and the vehicle when the door is opened/closed. During normal operation, the window slightly raises and lowers automatically to prevent any window to vehicle interference. The automatic window function will not work with the battery disconnected.

ACCELERATOR CONTROL SYSTEM

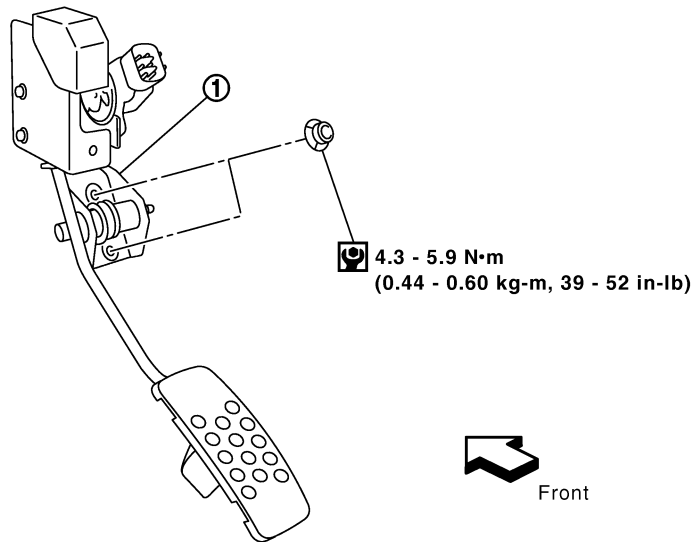
ACCELERATOR CONTROL SYSTEM

PFP:18005

Removal and Installation

ABS0029K

SEC.180



PBIC1920E

1. Accelerator pedal assembly

REMOVAL

1. Disconnect accelerator pedal position sensor harness connector.
2. Loosen nuts, and remove accelerator pedal assembly.

CAUTION:

- Do not disassemble accelerator pedal assembly. Do not remove accelerator pedal position sensor from accelerator pedal assembly.
- Avoid impact from dropping etc. during handling.
- Be careful to keep accelerator pedal assembly away from water.

INSTALLATION

Install in the reverse order of removal.

A
ACC
C
D
E
F
G
H
I
J
K
L
M

ACCELERATOR CONTROL SYSTEM

INSPECTION AFTER INSTALLATION

- Check that accelerator pedal moves smoothly within the whole operation range.
- Check that accelerator pedal securely returns to the original position.
- For the electrical inspection of the accelerator pedal assembly, refer to [EC-564, "DTC P2138 APP SENSOR"](#).

CAUTION:

When harness connector of accelerator pedal position sensor is disconnected, perform "Accelerator Pedal Released Position Learning". Refer to [EC-42, "Accelerator Pedal Released Position Learning"](#).

SERVICE DATA AND SPECIFICATIONS (SDS)

SERVICE DATA AND SPECIFICATIONS (SDS)

PFP:00030

Tightening Torque

ABS0029L

Unit: N·m (kg·m, in·lb)

Accelerator pedal assembly	4.3 - 5.9 (0.44 - 0.60, 39 - 52)
----------------------------	----------------------------------

A

ACC

C

D

E

F

G

H

I

J

K

L

M

SERVICE DATA AND SPECIFICATIONS (SDS)
