

SECTION **SRS**

SUPPLEMENTAL RESTRAINT SYSTEM (SRS)

A
B
C

D

E

CONTENTS

F

G

SRS

I

J

K

L

M

PRECAUTIONS	3	WITHOUT CONSULT-LLL	26
Precautions for Supplemental Restraint System (SRS) "AIR BAG" and "SEAT BELT PRE-TENSIONER"	3	HOW TO ERASE SELF-DIAGNOSTIC RESULTS	26
Precautions for SRS "AIR BAG" and "SEAT BELT PRE-TENSIONER" Service	3	SRS Operation Check (USER MODE)	27
Precautions for Battery Service	3	DIAGNOSTIC PROCEDURE	27
Occupant Classification System Precaution	3	Trouble Diagnosis with CONSULT-III	29
PREPARATION	4	DIAGNOSTIC PROCEDURE	29
Commercial Service Tools	4	Trouble Diagnosis without CONSULT-III	33
SUPPLEMENTAL RESTRAINT SYSTEM (SRS)	5	DIAGNOSTIC PROCEDURE	33
SRS Configuration	5	WARNING LAMP FLASH CODE CHART	33
Front Seat Belt Pre-tensioner with Load Limiter	6	Trouble Diagnosis: "AIR BAG" Warning Lamp Does Not Turn OFF	37
Front Side Air Bag	6	DIAGNOSTIC PROCEDURE	37
Side Curtain Air Bag/for Coupe	6	Trouble Diagnosis: "AIR BAG" Warning Lamp Does Not Turn ON	38
Warning Lamp	6	DIAGNOSTIC PROCEDURE	38
Occupant Classification System (OCS)	7	Trouble Diagnosis: Passenger Seat belt Warning System	39
Passenger Air Bag Status Condition	7	DRIVER AIR BAG MODULE	40
Component Parts of Occupant Classification System	7	Removal and Installation	40
Passenger Seat belt Warning System	8	REMOVAL	40
TROUBLE DIAGNOSIS	9	INSTALLATION	41
Trouble Diagnosis Introduction	9	SPIRAL CABLE	42
DIAGNOSIS FUNCTION	9	Removal and Installation	42
HOW TO PERFORM TROUBLE DIAGNOSES FOR QUICK AND ACCURATE REPAIR	9	REMOVAL	42
WORK FLOW	10	INSTALLATION	43
Component Parts Location	11	FRONT PASSENGER AIR BAG MODULE	44
Schematic	12	Removal and Installation	44
Wiring Diagram — SRS —/For Coupe	13	REMOVAL	44
Wiring Diagram — SRS —/For Roadster	19	INSTALLATION	45
CONSULT-III Function	25	SIDE CURTAIN AIR BAG MODULE (FOR COUPE)..	46
DIAGNOSIS MODE FOR CONSULT-LLL	25	Removal and Installation	46
HOW TO CHANGE SELF-DIAGNOSIS MODE WITH CONSULT-LII	25	REMOVAL	46
HOW TO ERASE SELF-DIAGNOSTIC RESULTS	26	INSTALLATION	47
Self-Diagnosis Function (Without CONSULT-III) ..	26	CRASH ZONE SENSOR	48
HOW TO CHANGE SELF-DIAGNOSTIC MODE		Removal and Installation	48
		REMOVAL	48
		INSTALLATION	48

SIDE AIR BAG (SATELLITE) SENSOR	49	TROL UNIT	52
Removal and Installation	49	Removal and Installation	52
REMOVAL	49	COLLISION DIAGNOSIS	53
INSTALLATION	49	For Frontal Collision	53
FRONT SEAT BELT PRE-TENSIONER	50	SRS INSPECTION (FOR FRONTAL COLLI-	
Removal and Installation	50	SION)	53
DIAGNOSIS SENSOR UNIT	51	For Side Collision	55
Removal and Installation	51	WHEN THE SIDE AIR BAG IS ACTIVATED IN	
REMOVAL	51	THE SIDE COLLISION:	55
INSTALLATION	51	WHEN SRS IS NOT ACTIVATED IN THE SIDE	
ECU DISCRIMINATED NO.	51	COLLISION:	55
OCCUPANT CLASSIFICATION SYSTEM CON-		SRS INSPECTION (FOR SIDE COLLISION)	55

PRECAUTIONS

PRECAUTIONS

PPF:00001

Precautions for Supplemental Restraint System (SRS) “AIR BAG” and “SEAT BELT PRE-TENSIONER”

NHS00008

The Supplemental Restraint System such as “AIR BAG” and “SEAT BELT PRE-TENSIONER”, used along with a front seat belt, helps to reduce the risk or severity of injury to the driver and front passenger for certain types of collision. This system includes seat belt switch inputs and dual stage front air bag modules. The SRS system uses the seat belt switches to determine the front air bag deployment, and may only deploy one front air bag, depending on the severity of a collision and whether the front occupants are belted or unbelted. Information necessary to service the system safely is included in the SRS and SB section of this Service Manual.

WARNING:

- To avoid rendering the SRS inoperative, which could increase the risk of personal injury or death in the event of a collision which would result in air bag inflation, all maintenance must be performed by an authorized NISSAN/INFINITI dealer.
- Improper maintenance, including incorrect removal and installation of the SRS, can lead to personal injury caused by unintentional activation of the system. For removal of Spiral Cable and Air Bag Module, see the SRS section.
- Do not use electrical test equipment on any circuit related to the SRS unless instructed to in this Service Manual. SRS wiring harnesses can be identified by yellow and/or orange harnesses or harness connectors.

Precautions for SRS “AIR BAG” and “SEAT BELT PRE-TENSIONER” Service

NHS00009

- Do not use electrical test equipment to check SRS circuits unless instructed in this Service Manual.
- Before servicing the SRS, turn ignition switch OFF, and disconnect both battery cables. Then wait at least 3 minutes.
For approximately 3 minutes after the cables are removed, it is still possible for the air bag and seat belt pre-tensioner to deploy. Therefore, do not work on any SRS connectors or wires until at least 3 minutes have passed.
- Diagnosis sensor unit must always be installed with their arrow marks “⇐” pointing towards the front of the vehicle for proper operation. Also check diagnosis sensor unit for cracks, deformations or rust before installation and replace if required.
- The spiral cable must be set to the neutral position since its rotations are limited. Do not attempt to turn steering wheel or column, if steering gear was disconnected from the column shaft.
- Handle air bag module carefully. Always put a driver air bag module with the pad side facing upward.
- Conduct self-diagnosis to check entire SRS for proper function after replacing any components.
- After an air bag deployment, the front instrument panel assembly should be replaced if damaged.
- Always replace instrument panel pad following front passenger air bag deployment.

Precautions for Battery Service

NHS0000A

Before disconnecting the battery, lower both the driver and passenger windows. This will prevent any interference between the window edge and the vehicle when the door is opened/closed. During normal operation, the window slightly raises and lowers automatically to prevent any window to vehicle interference. The automatic window function will not work with the battery disconnected.

Occupant Classification System Precaution

NHS0000A

Replace occupant classification system control unit and passenger front seat cushion as an assembly.

A
B
C
D
E
F
G
I
J
K
L
M

SRS

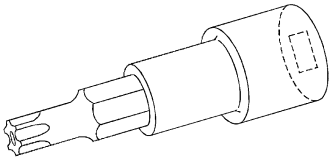
PREPARATION

PREPARATION

PFP:00002

Commercial Service Tools

NHS0000C

Tool name	Description
<p data-bbox="164 400 432 427">Tamper resistant TORX bit</p>  <p data-bbox="826 506 884 523">S-NT757</p>	<p data-bbox="978 400 1075 427">Size: T30</p>

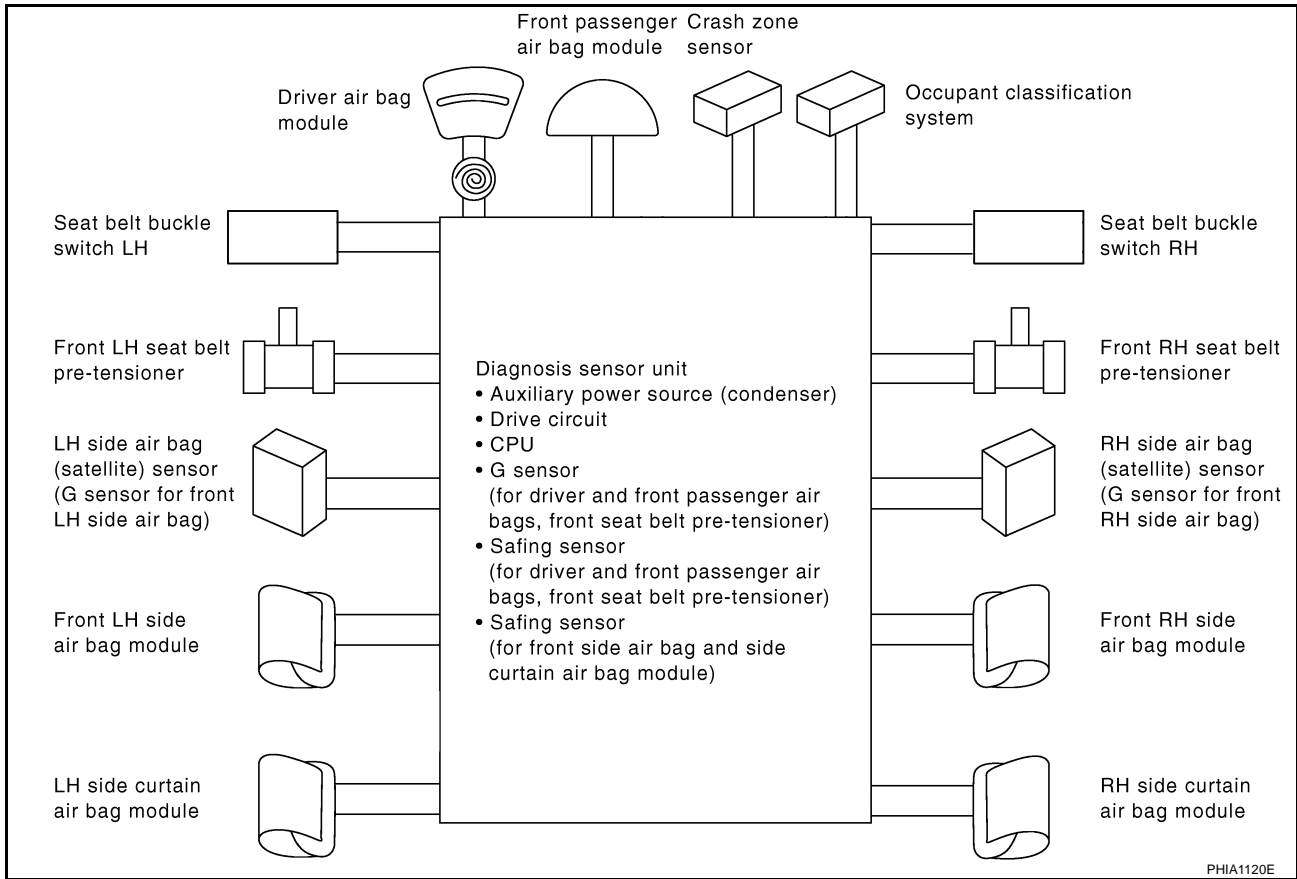
SUPPLEMENTAL RESTRAINT SYSTEM (SRS)

SUPPLEMENTAL RESTRAINT SYSTEM (SRS)

PPF:28556

SRS Configuration

NHS0000D



A
B
C
D
E
F
G
I
J
K
L
M

SRS

The air bag deploys if the diagnosis sensor unit activates while the ignition switch is in the ON or START position.

The collision modes for which supplemental restraint systems are activated are different among the SRS systems. For example, the driver air bag module and front passenger air bag module are activated in a frontal collision but not in a side collision.

SRS configurations which are activated for some collision modes are as follows;

SRS configuration	Frontal collision	Left side collision	Right side collision
Driver air bag module	×	—	—
Front passenger air bag module	×	—	—
Front LH seat belt pre-tensioner	×	—	—
Front RH seat belt pre-tensioner	×	—	—
Front LH side air bag module	—	×	—
Front RH side air bag module	—	—	×
LH side curtain air bag module*	—	×	—
RH side curtain air bag module*	—	—	×

*: For Coupe

SUPPLEMENTAL RESTRAINT SYSTEM (SRS)

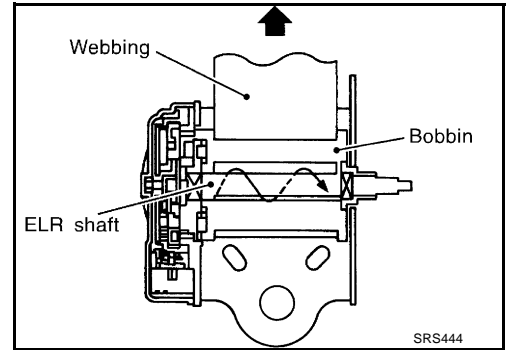
Front Seat Belt Pre-tensioner with Load Limiter

NHS0000E

The seat belt pre-tensioner system with load limiter is installed for both the driver's seat and the front passenger seat. It operates simultaneously with the SRS air bag system in the event of a frontal collision with an impact exceeding a specified level.

When the frontal collision with an impact exceeding a specified level occurs, seat belt slack resulting from clothing or other factors is immediately taken up by the pre-tensioner. Vehicle passengers are securely restrained.

When passengers in a vehicle are thrown forward in a collision and the restraining force of the seat belt exceeds a specified level, the load limiter permits the specified extension of the seat belt by the twisting of the ELR shaft, and a relaxation of the chest-area seat belt web tension while maintaining force.



Front Side Air Bag

NHS0000F

Front side air bag is built-in type.

The front seatbacks with built-in type side air bag have the labels as shown.



Side Curtain Air Bag/for Coupe

NHS0000G

The side curtain air bags have the labels as shown.

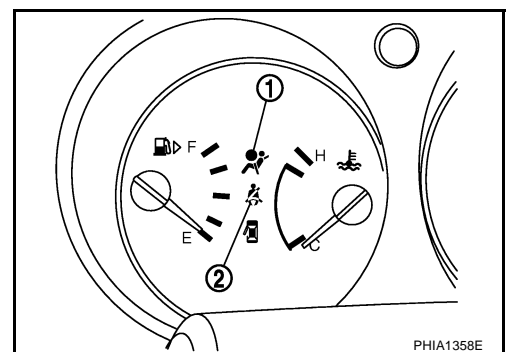


Warning Lamp

NHS000A6

Air bag warning lamp : (1)

Seat belt warning lamp: (2)



SUPPLEMENTAL RESTRAINT SYSTEM (SRS)

Occupant Classification System (OCS)

NHS000A1

The occupant classification system identifies different size occupants, out of position occupants, and detects if child seat is present in the front passenger seat. The occupant classification system receives inputs from the occupant classification sensor (located inside the passenger seat cushion assembly) and belt tension sensor (part of the passenger front seat belt assembly and located at the belt anchor location). Depending on classification of passenger, the occupant classification system sends a signal to the diagnosis sensor unit. The diagnosis sensor unit uses this signal to determine full, partial, or non deployment of passenger front air bag in the event of a collision. Depending on the signal received, the diagnosis sensor unit can disable the passenger front air bag completely.

NOTE:

In case of customer concern, CONSULT-II can be used to confirm the passenger air bag status (readiness).

Passenger Air Bag Status Condition

NHS000A2

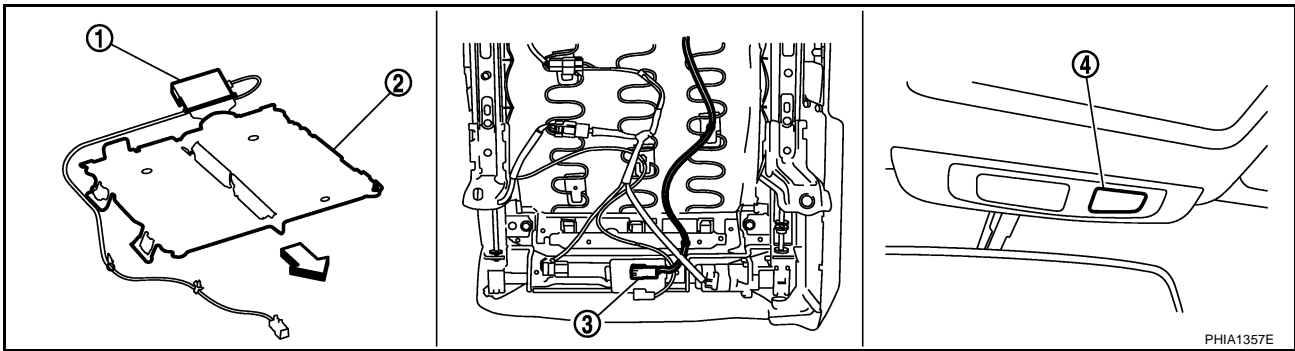
Front Passenger Seat (Condition)	PASS AIR BAG OFF Indicator (Status)	Passenger Air Bag Status (Readiness)	CONSULT-III Display
Seat occupied	OFF	Active (enabled)	ON
seat occupiedNOTE	ON	Deactivated (disabled)	OFF
Seat empty	OFF	Deactivated (disabled)	OFF

NOTE:

Passenger does not meet Occupant classification System specifications for passenger air bag activation.

Component Parts of Occupant Classification System

NHS000A3



SRS

1. Occupant classification system control unit
2. Seat sensor mat
3. Occupant classification system connector
4. Passenger air bag OFF Indicator (cut-off telltale)

SUPPLEMENTAL RESTRAINT SYSTEM (SRS)

Passenger Seat belt Warning System

NHS000A4

SYSTEM DESCRIPTION

This system warns when passenger seat belt is not fasten.

This system is composed of the following items.

- Seat belt warning lamp.
- Seat belt buckle switch (passenger side).
- Air bag diagnosis sensor unit.
- Occupant classification system.

Seat belt warning lamp is used for both driver seat belt warning and passenger seat belt warning. Seat belt warning lamp turns ON when all conditions below are met.

- Driver seat belt is fastened.
- Occupant is on passenger seat.
- Passenger seat belt is not fasten.

TROUBLE DIAGNOSIS

TROUBLE DIAGNOSIS

PPF:00004

Trouble Diagnosis Introduction

NHS0000H

CAUTION:

- Do not use electrical test equipment on any circuit related to the SRS unless instructed in this Service Manual. SRS wiring harnesses can be identified by yellow and/or orange harnesses or harness connectors.
- Do not repair, splice or modify the SRS wiring harness. If the harness is damaged, replace it with a new one.
- Keep ground portion clean.

DIAGNOSIS FUNCTION

The SRS self-diagnostic results can be read by using "AIR BAG" warning lamp and/or CONSULT-III. The User mode is exclusively prepared for the customer (driver). This mode warns the driver of a system malfunction through the operation of the "AIR BAG" warning lamp. The Diagnosis mode allows the technician to locate and inspect the malfunctioning part. The mode applications for the "AIR BAG" warning lamp and CONSULT-III are as follows:

	User mode	Diagnosis mode	Display type
"AIR BAG" warning lamp	X	X	ON-OFF operation
CONSULT-III	—	X	Monitoring

HOW TO PERFORM TROUBLE DIAGNOSES FOR QUICK AND ACCURATE REPAIR

A good understanding of the malfunction conditions can make troubleshooting faster and more accurate. In general, each customer feels differently about a malfunction. It is important to fully understand the symptoms or conditions for a customer complaint.

Information from Customer

WHAT..... Vehicle model
WHEN..... Date, Frequencies
WHERE..... Road conditions
HOW..... Operating conditions, Symptoms

Preliminary Check

Make sure that the following parts are in good order.

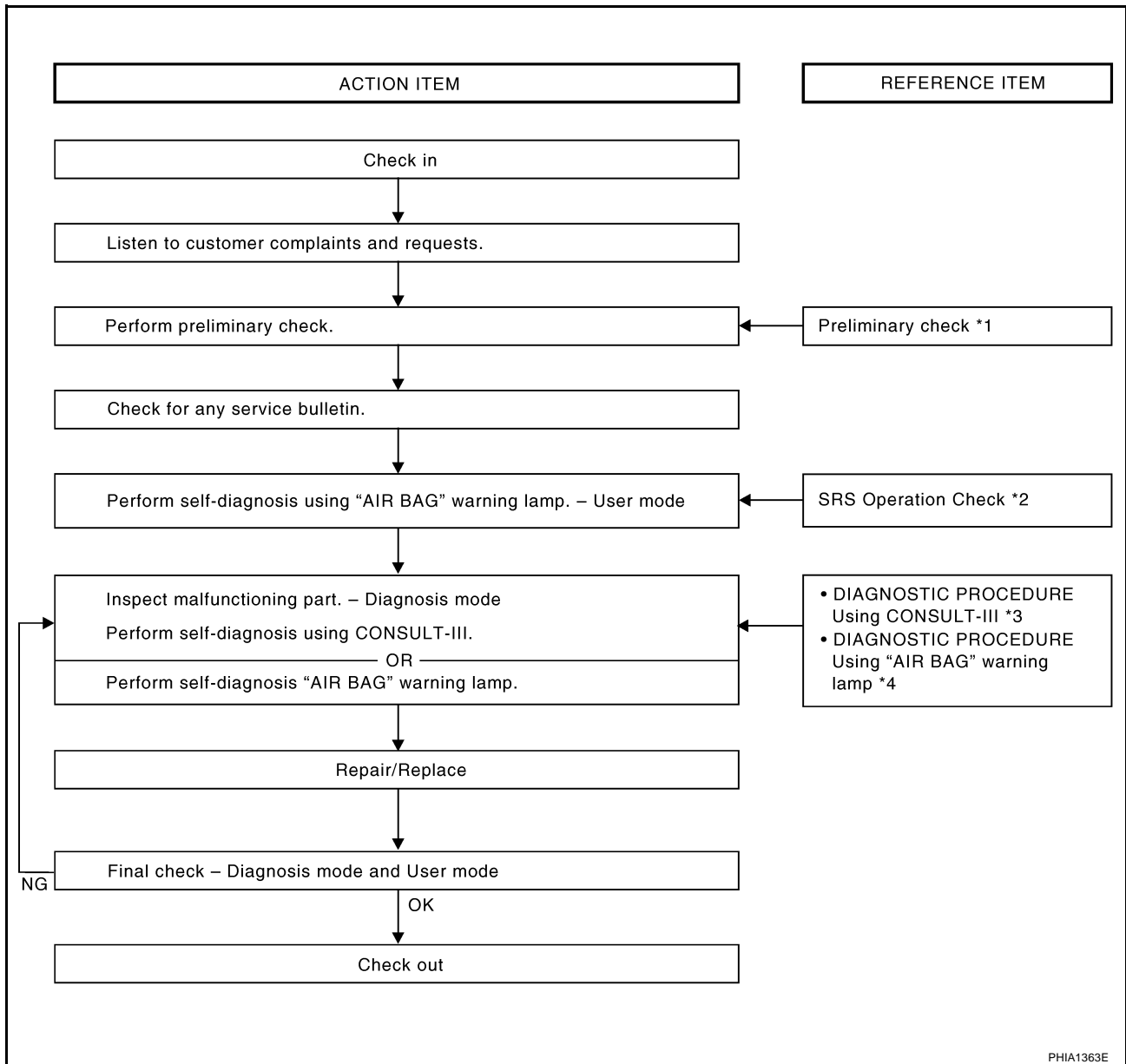
- Battery (Refer to [SC-4, "How to Handle Battery"](#) .)
- Fuse (Refer to [SRS-13, "Wiring Diagram — SRS —/For Coupe"](#) or [SRS-19, "Wiring Diagram — SRS —/For Roadster"](#) .)
- System component-to-harness connections

A
B
C
D
E
F
G
I
J
K
L
M

SRS

TROUBLE DIAGNOSIS

WORK FLOW



*1: [SRS-9. "Preliminary Check"](#).

*2: [SRS-27. "SRS Operation Check \(USER MODE\)"](#).

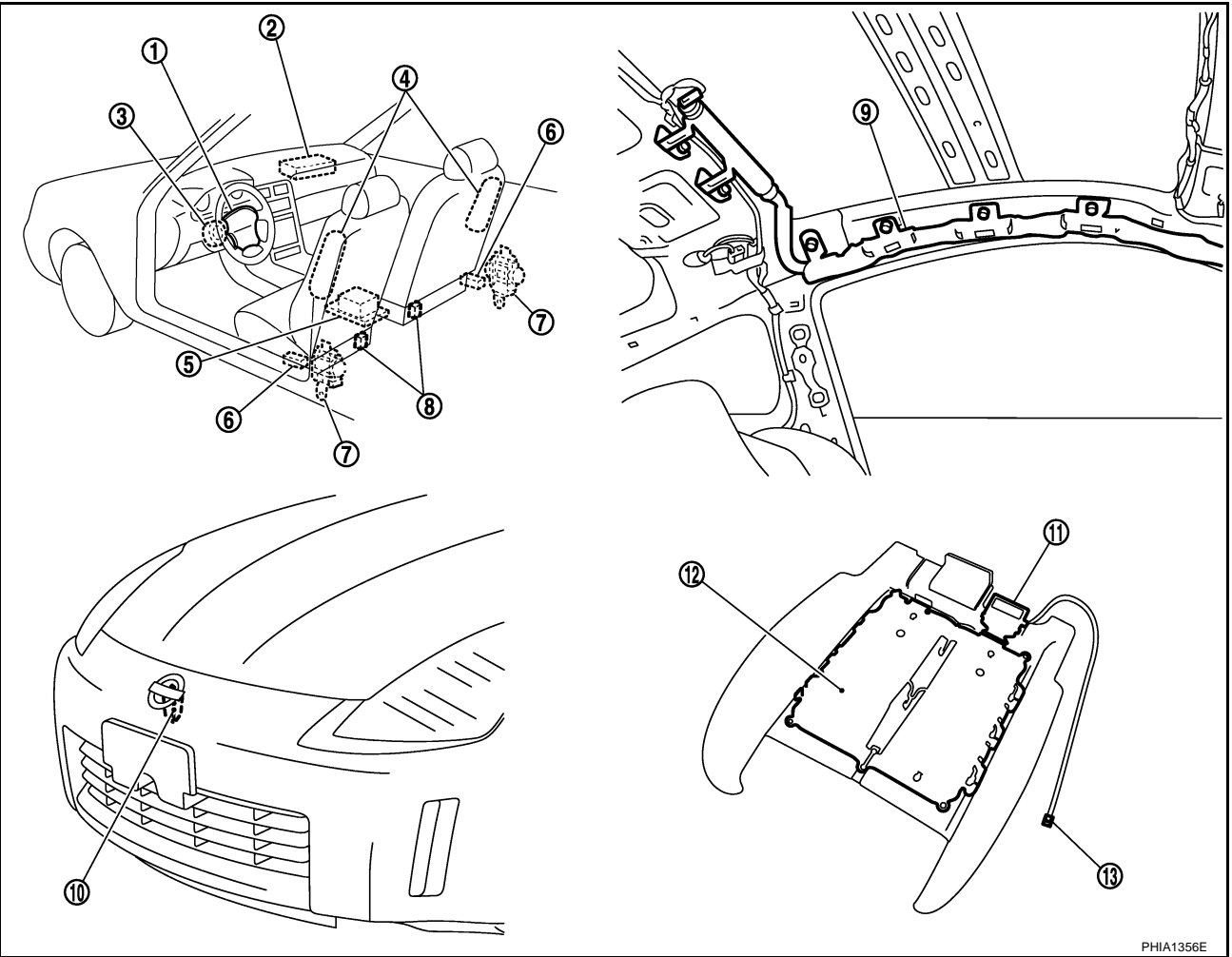
*3: [SRS-29. "Trouble Diagnosis with CONSULT-III"](#).

*4: [SRS-33. "Trouble Diagnosis without CONSULT-III"](#).

TROUBLE DIAGNOSIS

Component Parts Location

NHS00001



PHIA1356E

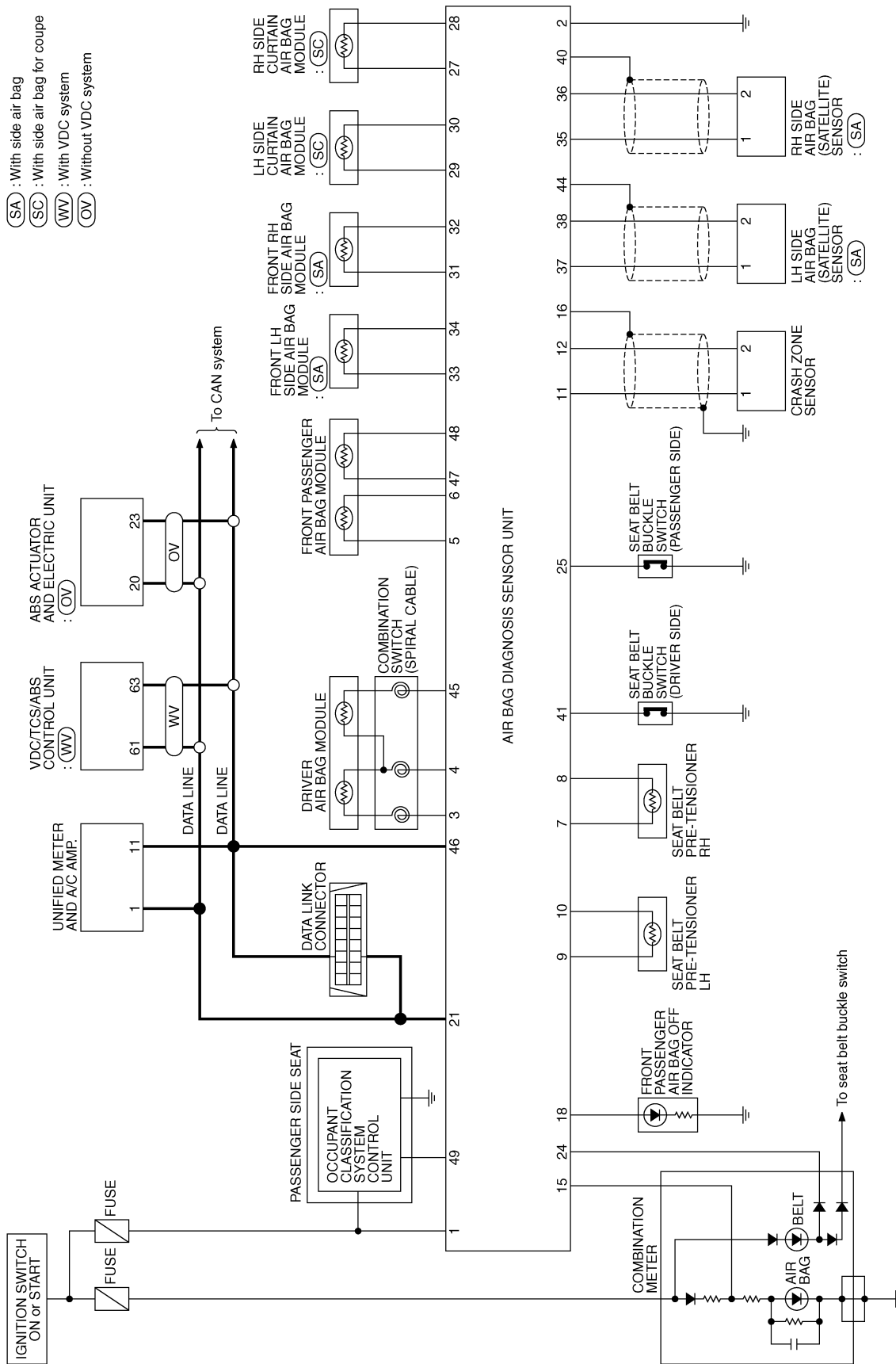
- | | | |
|--|---|--|
| 1. Driver air bag module | 2. Front passenger air bag module | 3. Spiral cable |
| 4. Front side air bag module (LH/RH) | 5. Diagnosis sensor unit | 6. Side air bag (Satellite) sensor (LH/RH) |
| 7. Seat belt pre-tensioner (LH/RH) | 8. Seat belt buckle switch (LH/ RH) | 9. Side curtain air bag module* |
| 10. Crash zone sensor | 11. Occupant classification system control unit | 12. Seat sensor mat |
| 13. Occupant classification system connector | | |

*: For Coupe

TROUBLE DIAGNOSIS

NHS0000J

Schematic



THWT0270E

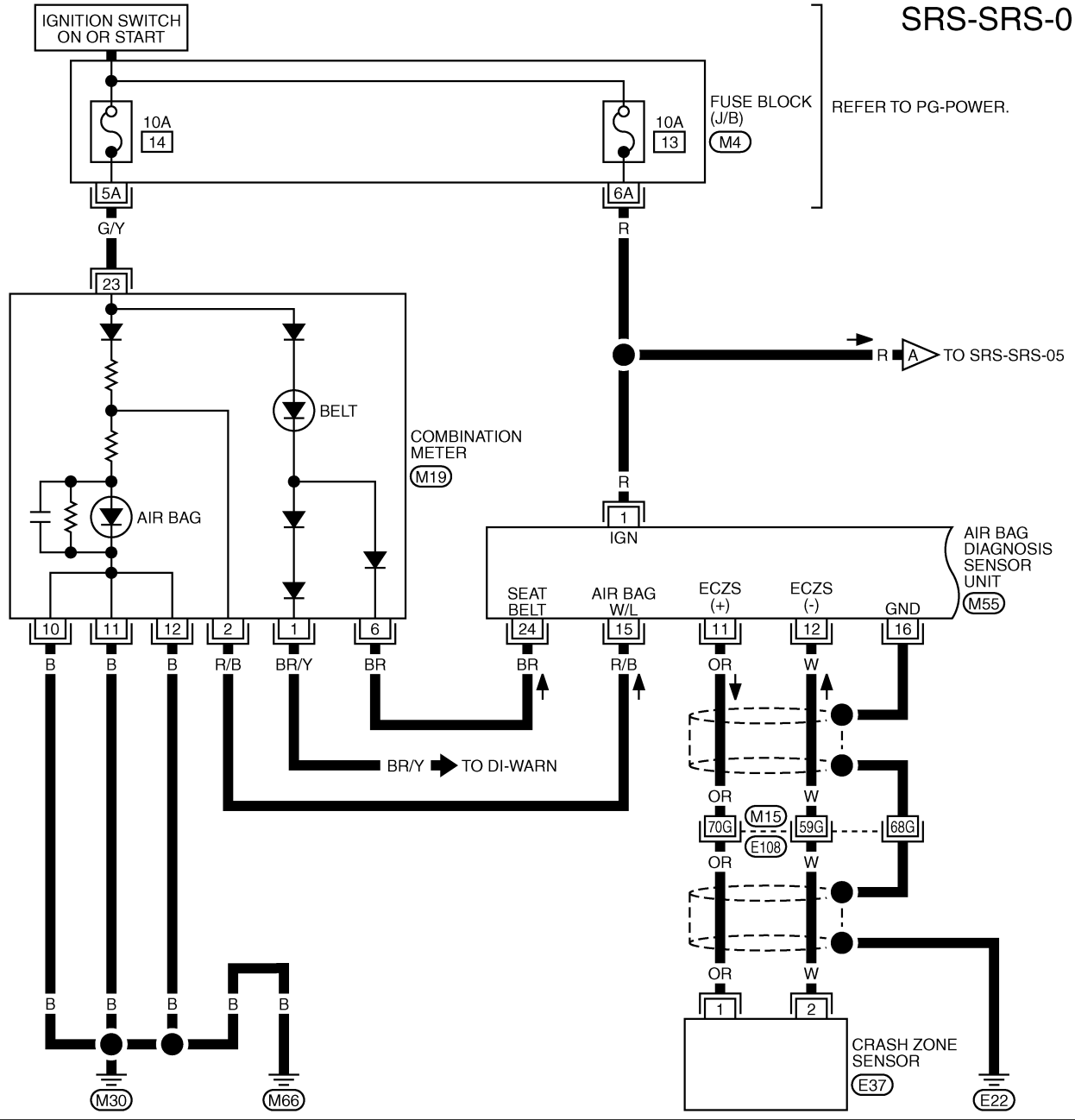
TROUBLE DIAGNOSIS

Wiring Diagram — SRS —/For Coupe

NHS0000K

SRS-SRS-01

A
B
C
D
E
F
G
SRS
I
J
K
L
M

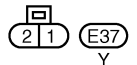


12	11	10	9	8	7	6	5	4	3	2	1
24	23	22	21	20	19	18	17	16	15	14	13

M19
W

1	49	24						17	21	20
5	6	4	3	13	45	47	48	46	11	22
2	52	18	50	23	51	14	15	19	12	16

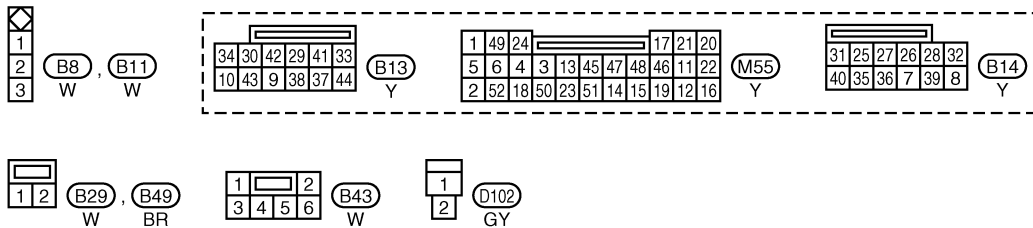
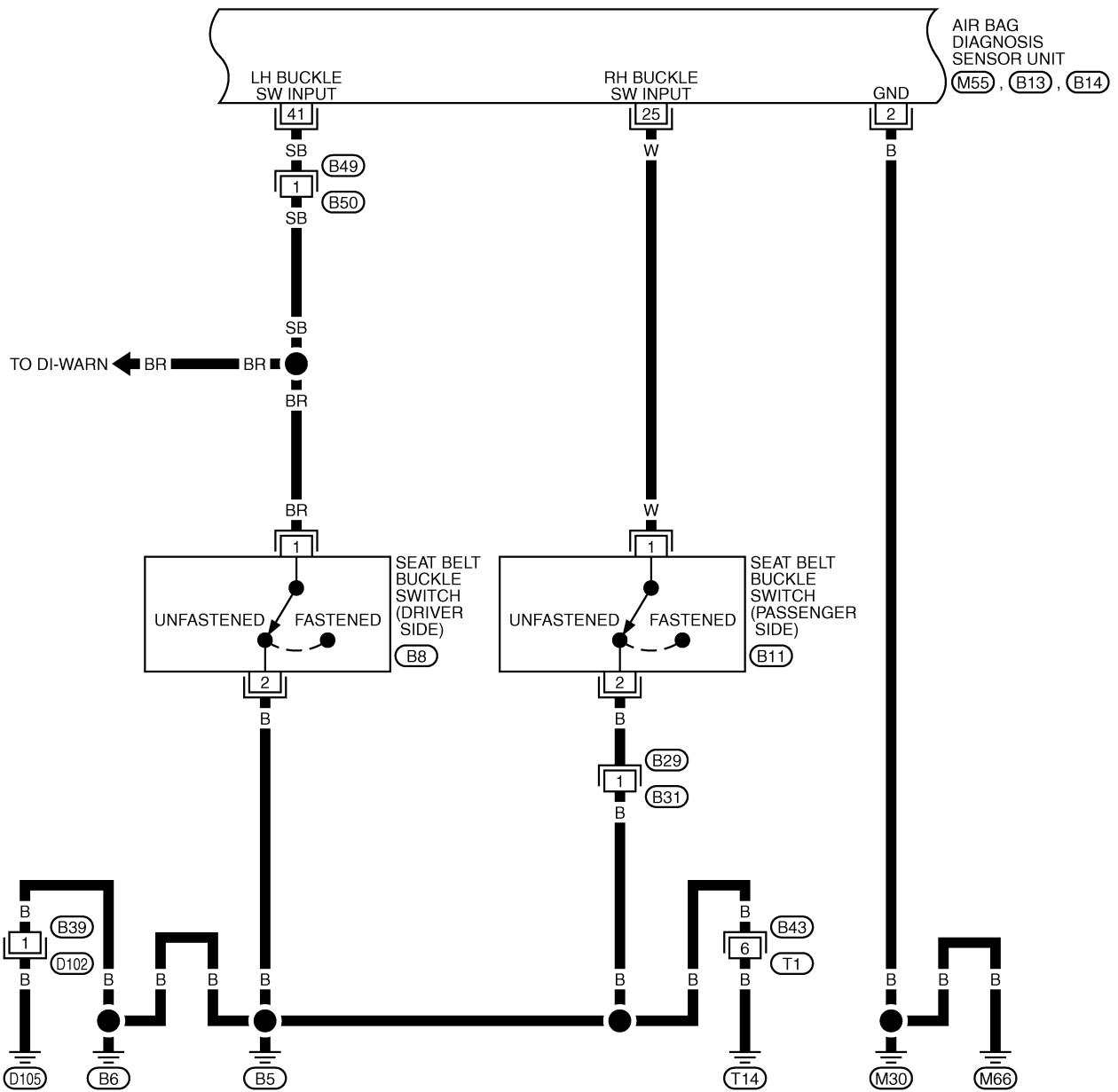
M55
Y



REFER TO THE FOLLOWING.
 (E108) -SUPER MULTIPLE JUNCTION (SMJ)
 (M4) -FUSE BLOCK-JUNCTION BOX (J/B)

TROUBLE DIAGNOSIS

SRS-SRS-02

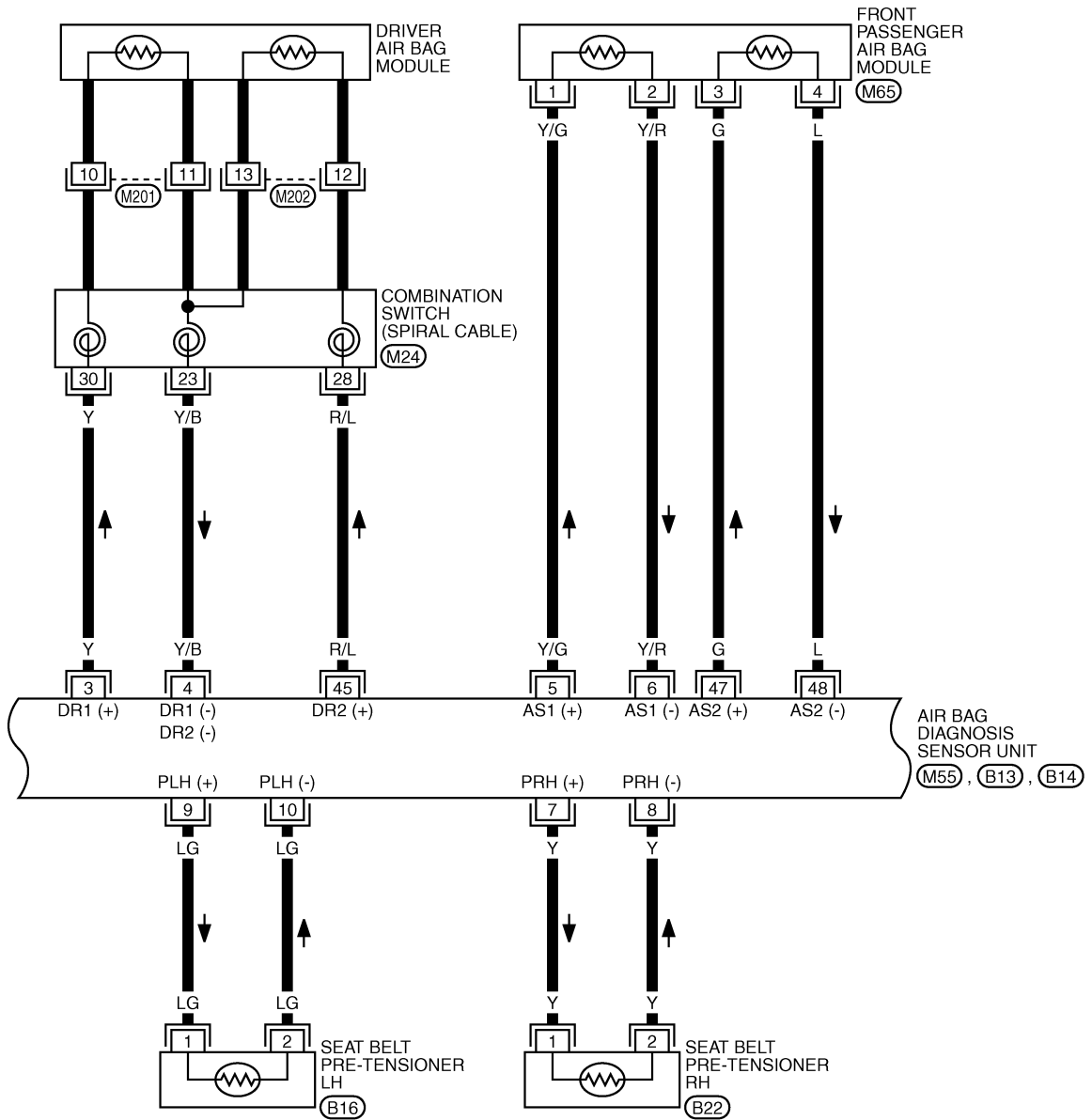


THWT0258E

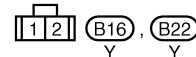
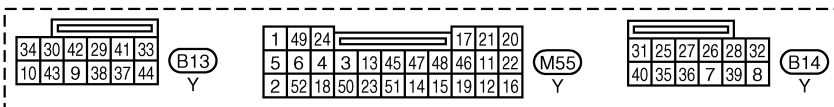
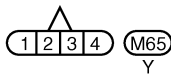
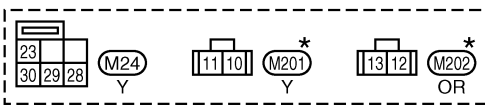
TROUBLE DIAGNOSIS

SRS-SRS-03

A
B
C
D
E
F
G
H
I
J
K
L
M



SRS



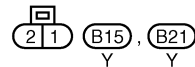
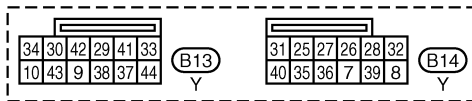
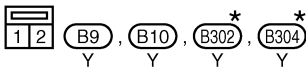
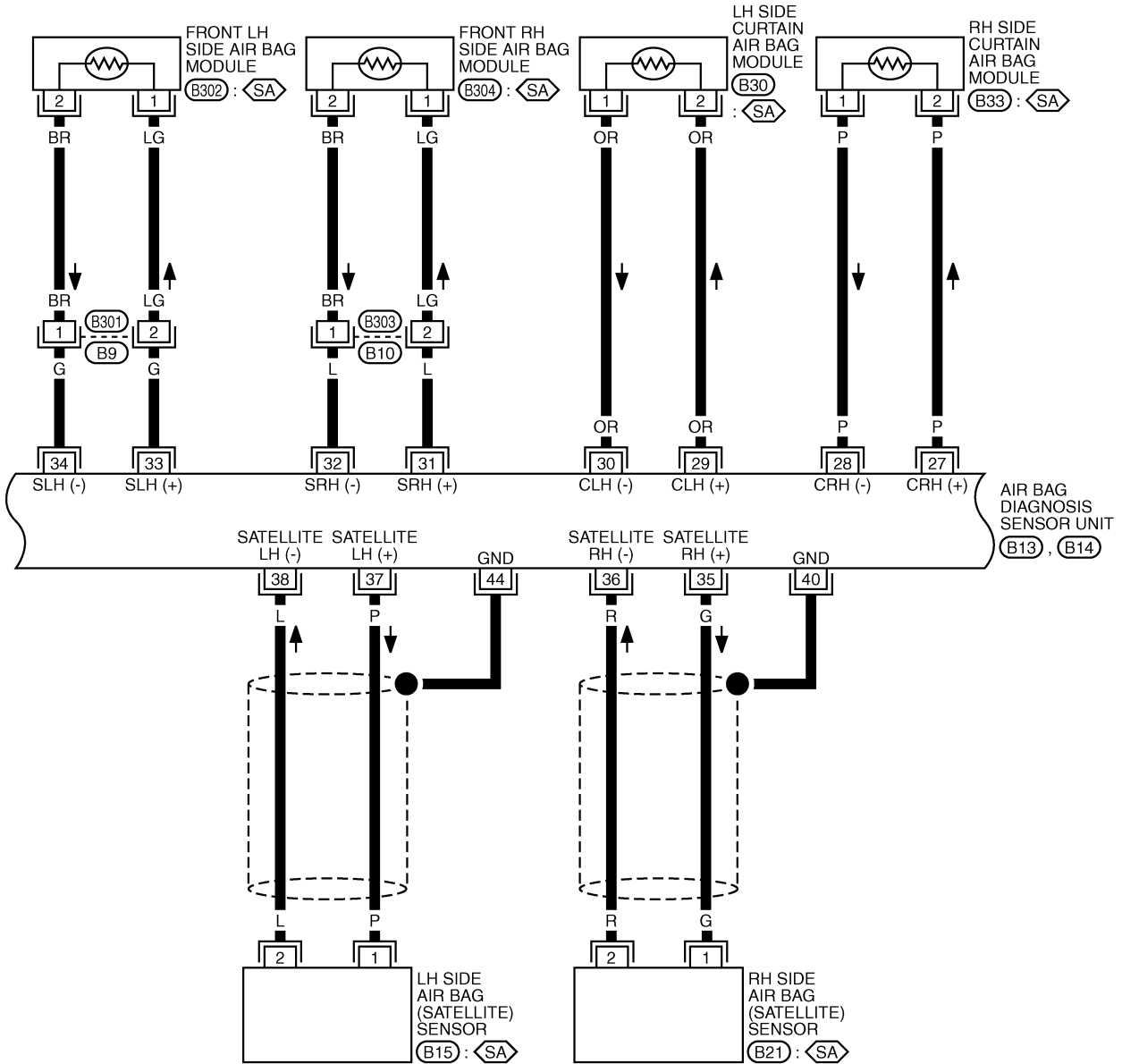
*: THIS CONNECTOR IS NOT SHOWN IN "HARNESS LAYOUT", PG SECTION.

THWT0165E

TROUBLE DIAGNOSIS

SRS-SRS-04

SA : WITH SIDE AIR BAG

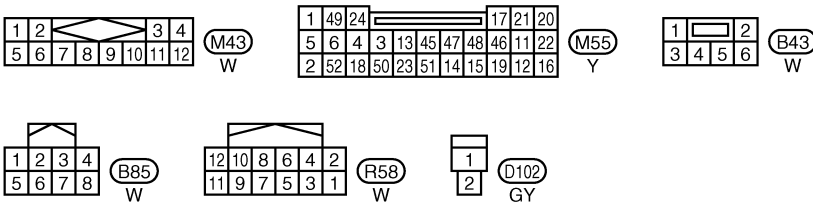
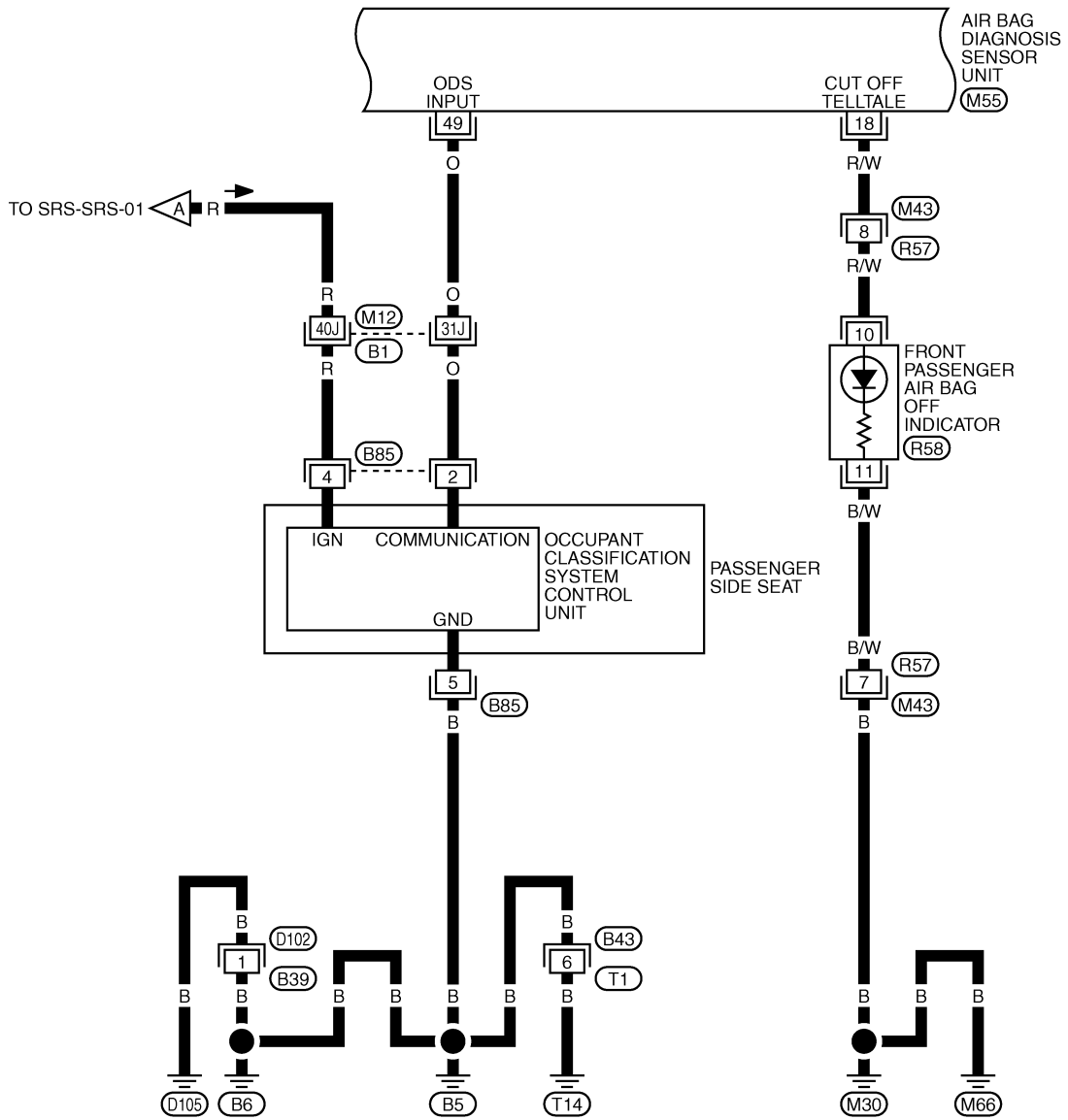


*: THIS CONNECTOR IS NOT SHOWN IN "HARNESS LAYOUT", PG SECTION.

THWT0259E

TROUBLE DIAGNOSIS

SRS-SRS-05

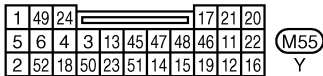
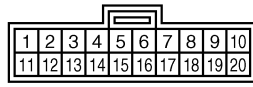
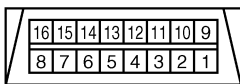
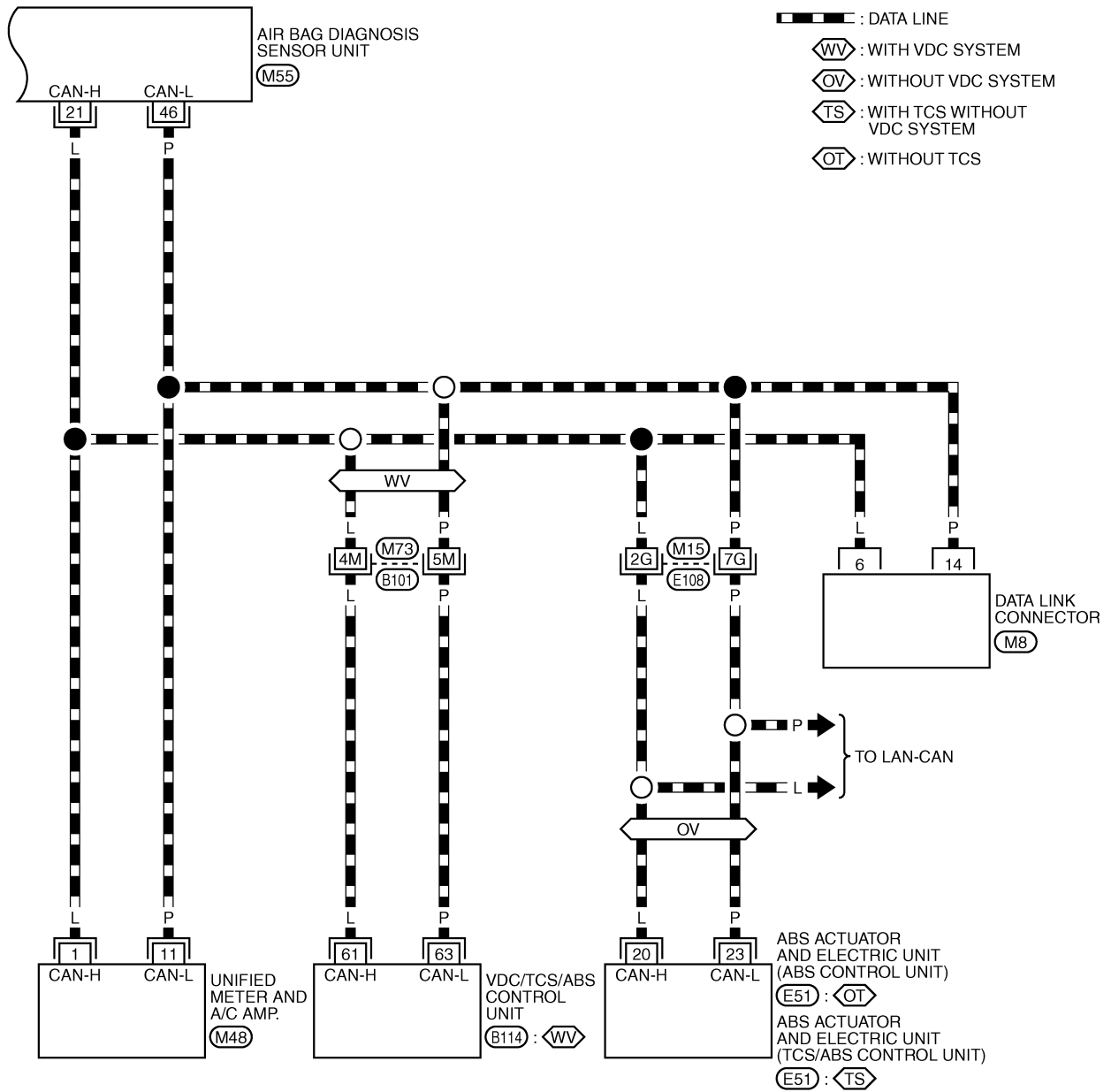


REFER TO THE FOLLOWING.
 (B1) -SUPER MULTIPLE JUNCTION (SMJ)

THWT0272E

TROUBLE DIAGNOSIS

SRS-SRS-06



REFER TO THE FOLLOWING.

(E108), (B101) -SUPER MULTIPLE JUNCTION (SMJ)

(E51), (B114) -ELECTRICAL UNITS

THWT0273E

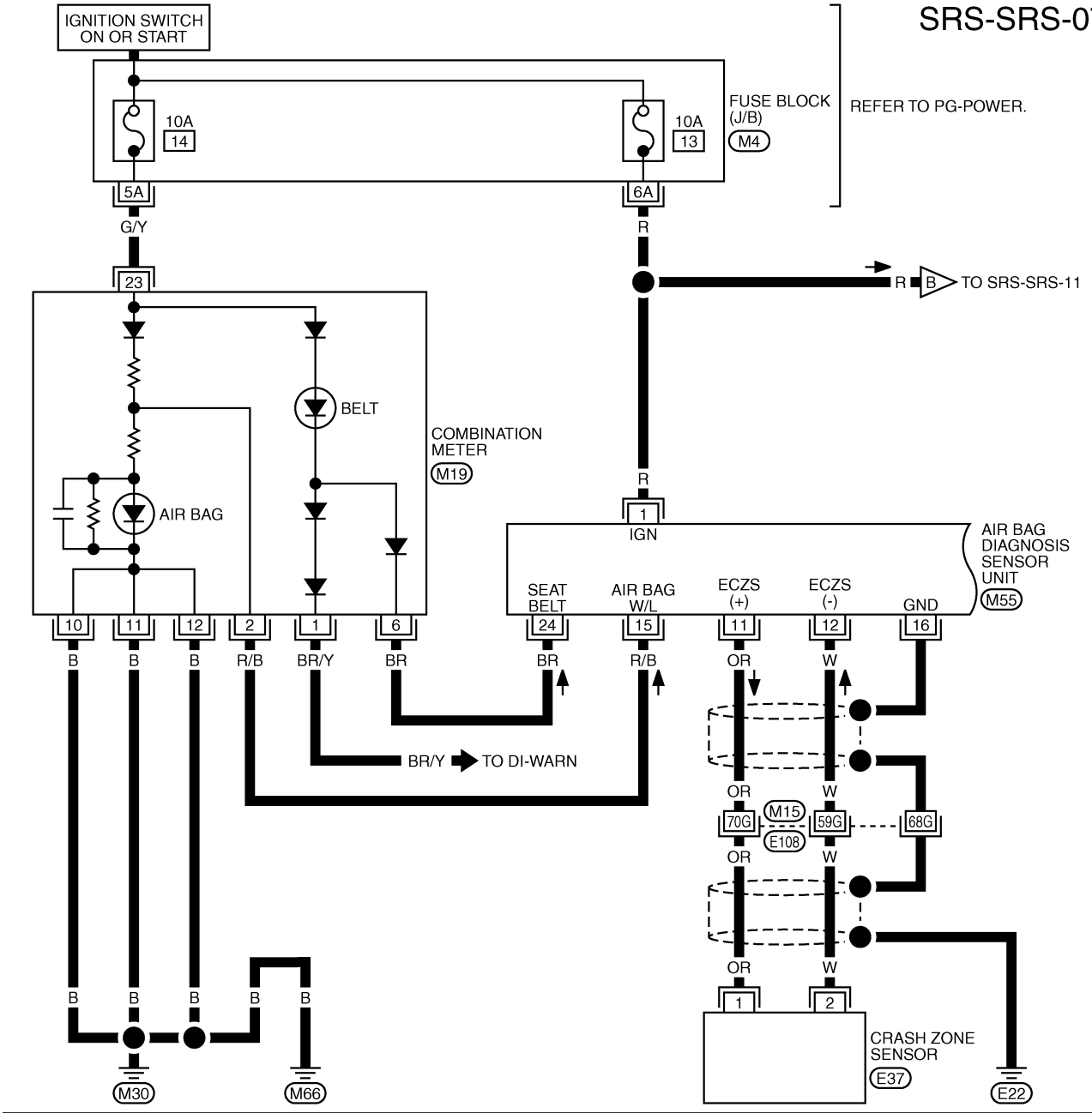
TROUBLE DIAGNOSIS

Wiring Diagram — SRS —/For Roadster

NHS0000L

SRS-SRS-07

A
B
C
D
E
F
G
H
I
J
K
L
M



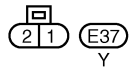
SRS

12	11	10	9	8	7	6	5	4	3	2	1
24	23	22	21	20	19	18	17	16	15	14	13

M19
W

1	49	24						17	21	20
5	6	4	3	13	45	47	48	46	11	22
2	52	18	50	23	51	14	15	19	12	16

M55
Y

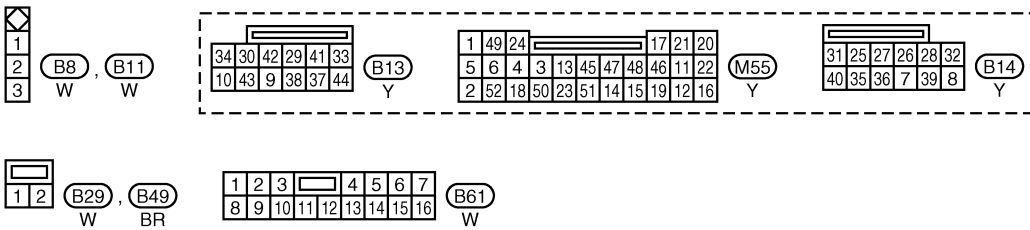
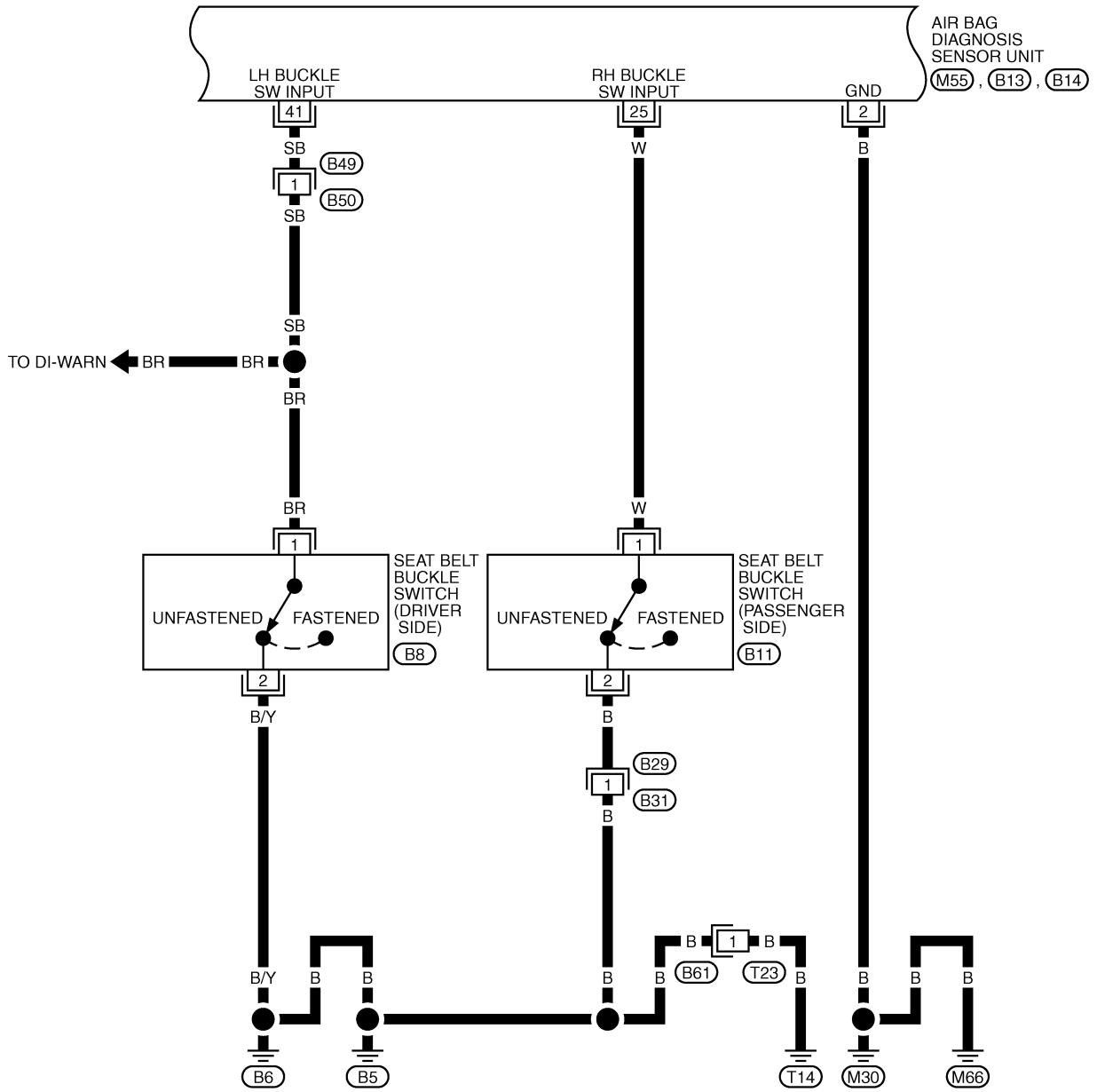


REFER TO THE FOLLOWING.
 (E108) -SUPER MULTIPLE JUNCTION (SMJ)
 (M4) -FUSE BLOCK-JUNCTION BOX (J/B)

THWT0274E

TROUBLE DIAGNOSIS

SRS-SRS-08

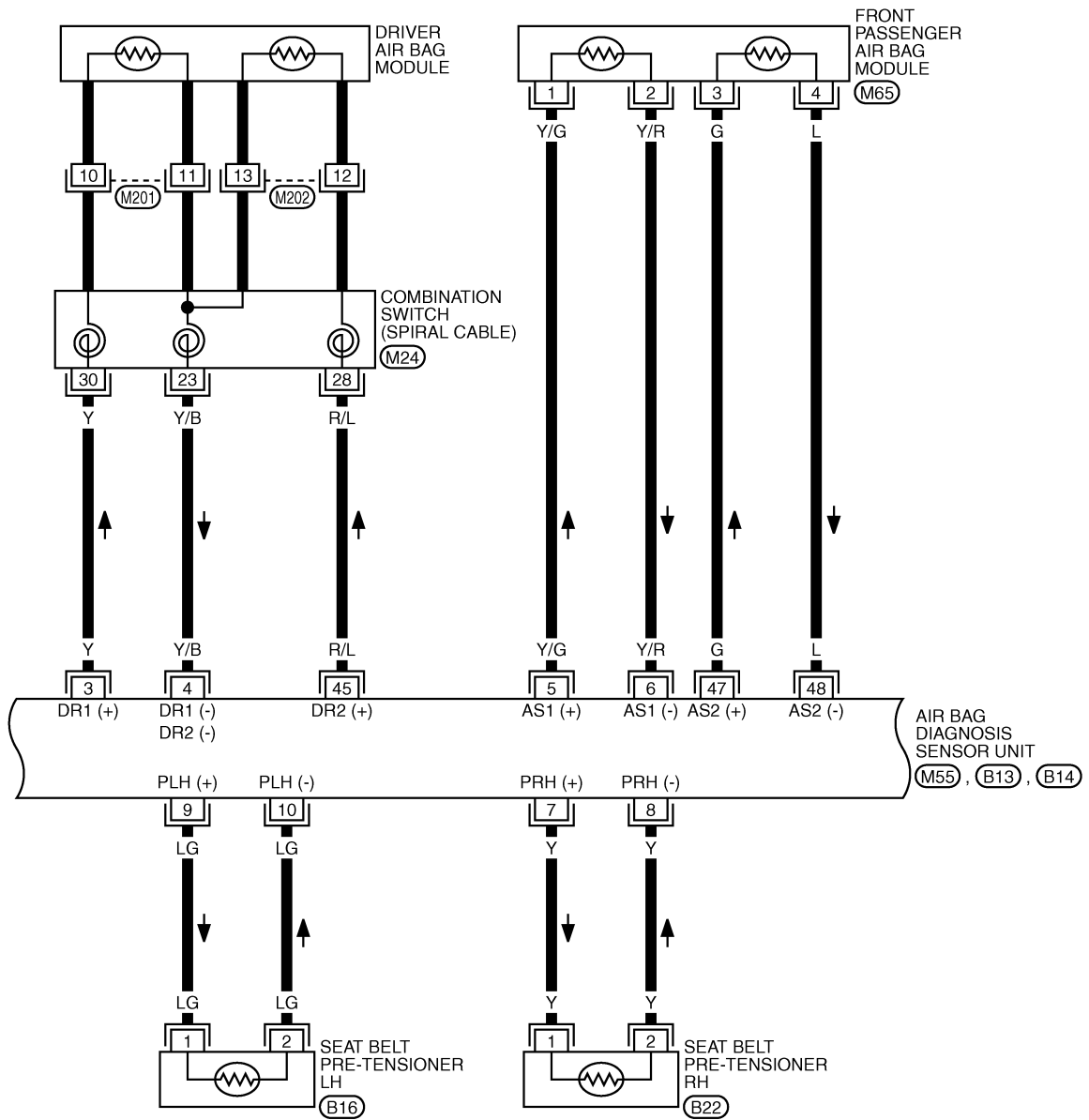


THWT0275E

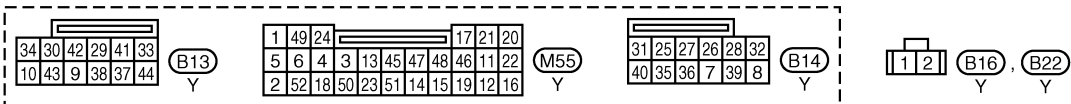
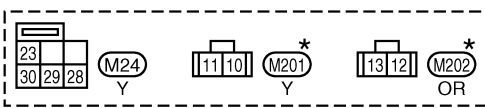
TROUBLE DIAGNOSIS

SRS-SRS-09

A
B
C
D
E
F
G
H
I
J
K
L
M



SRS

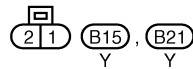
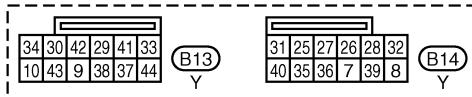
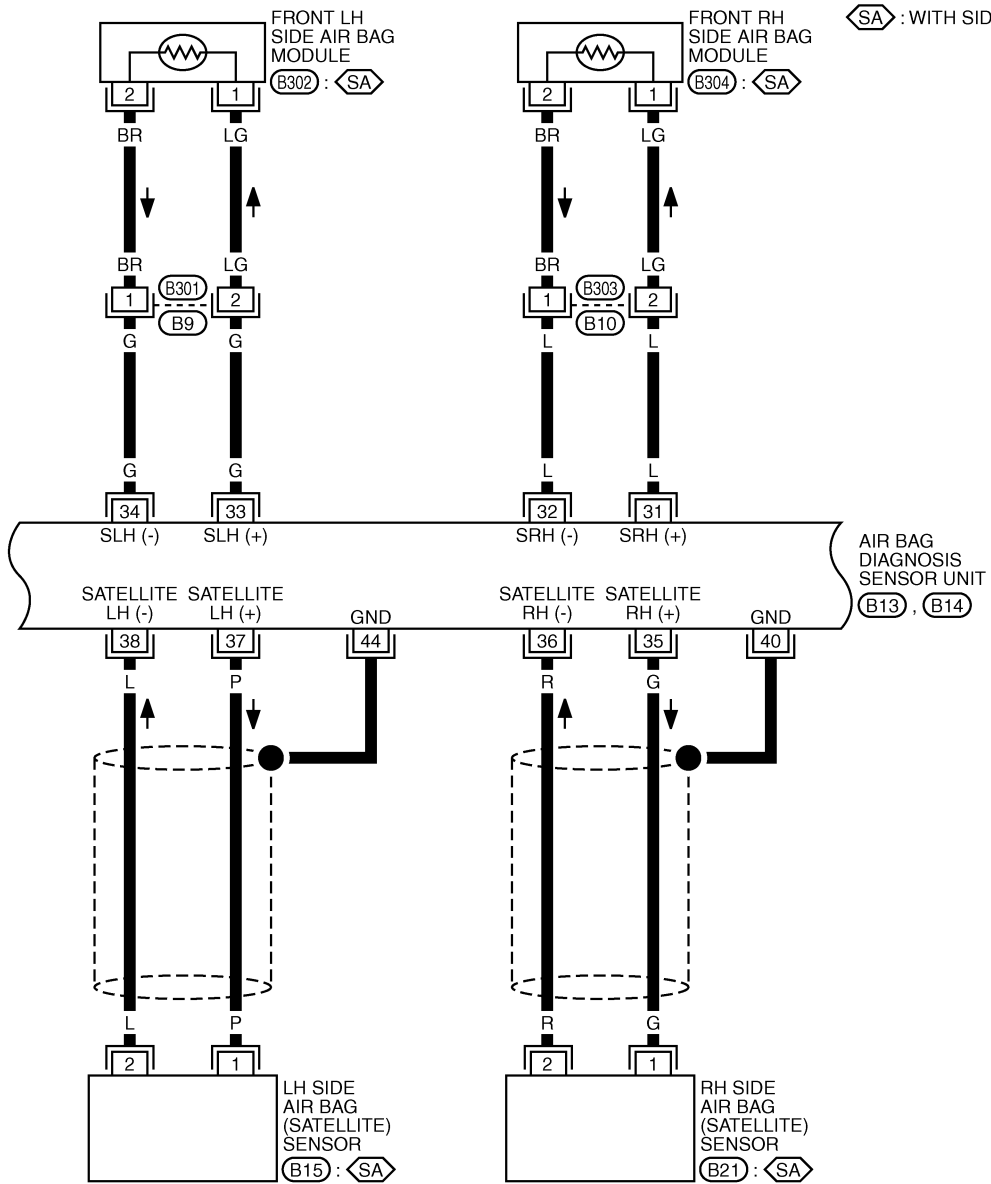


*: THIS CONNECTOR IS NOT SHOWN IN "HARNESS LAYOUT", PG SECTION.

THWT0276E

TROUBLE DIAGNOSIS

SRS-SRS-10

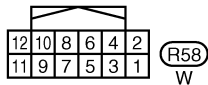
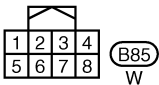
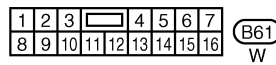
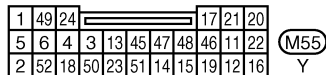
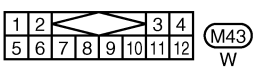
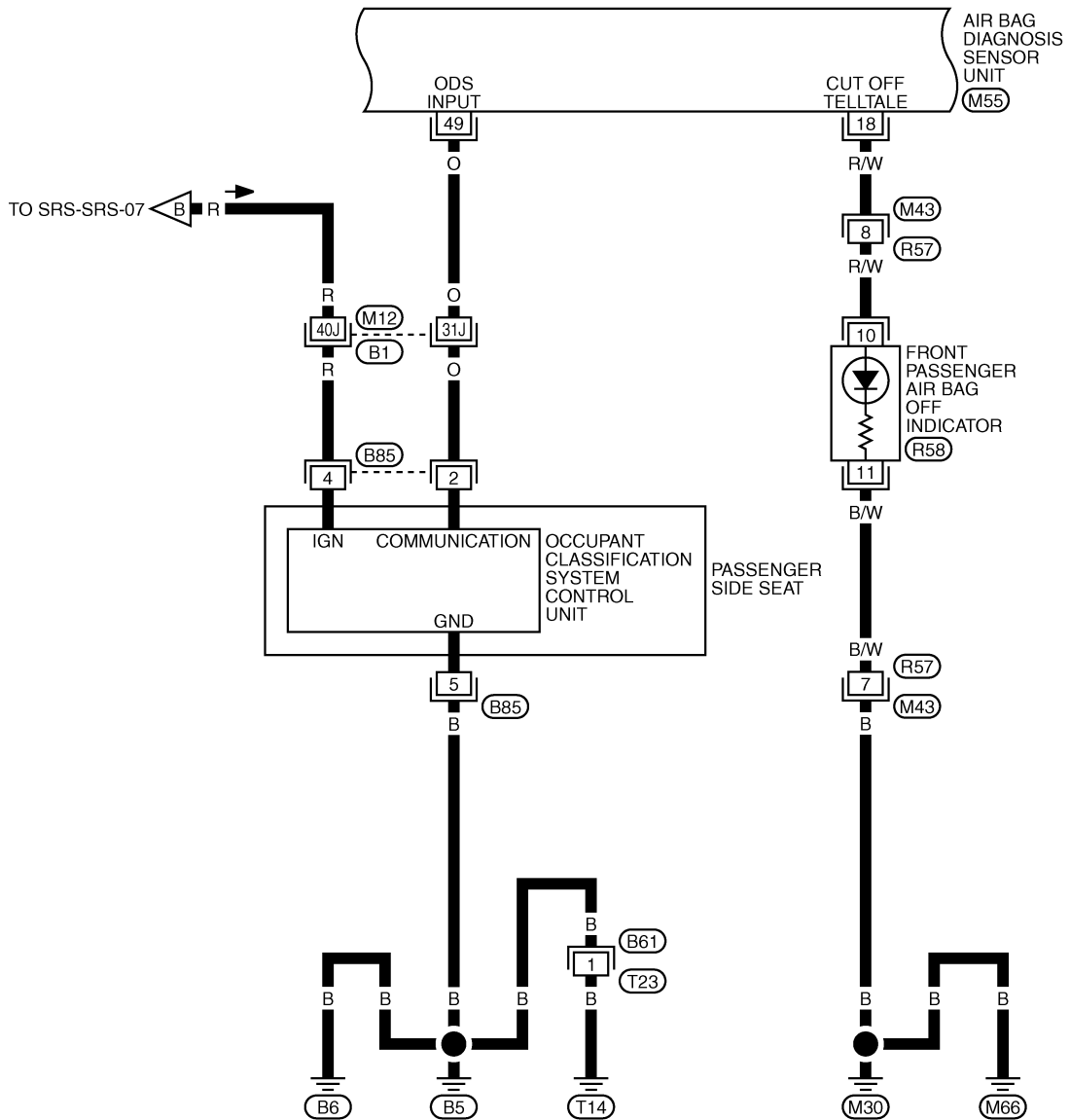


*: THIS CONNECTOR IS NOT SHOWN IN "HARNESS LAYOUT", PG SECTION.

THWT0277E

TROUBLE DIAGNOSIS

SRS-SRS-11



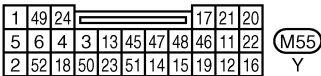
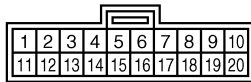
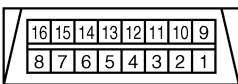
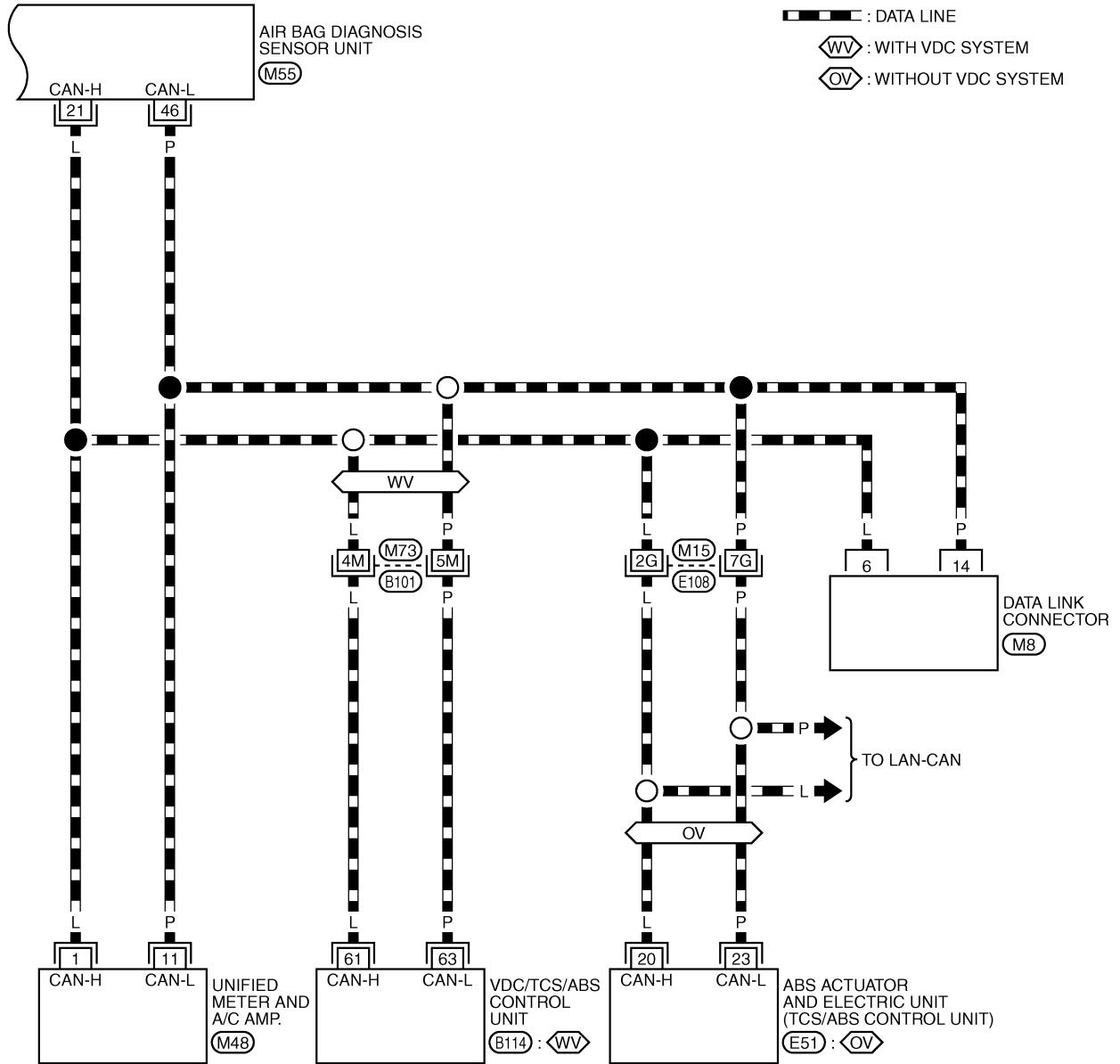
REFER TO THE FOLLOWING.

(B1) -SUPER MULTIPLE JUNCTION (SMJ)

THWT0278E

TROUBLE DIAGNOSIS

SRS-SRS-12



REFER TO THE FOLLOWING.
 (E108), (B101) -SUPER MULTIPLE JUNCTION (SMJ)
 (E51), (B114) -ELECTRICAL UNITS

THWT0279E

CONSULT-III Function DIAGNOSIS MODE FOR CONSULT-LLL

- “SELF-DIAG [CURRENT]”
A current self-diagnostic results (also indicated by the number of warning lamp flashes in the Diagnosis mode) is displayed on the CONSULT-III screen in real time. This refers to a malfunctioning part requiring repairs.
- “SELF-DIAG [PAST]”
Self-diagnostic results previously stored in the memory are displayed on the CONSULT-III screen. The stored results are not erased until memory erasing is performed.
- “TROUBLE DIAG RECORD”
With TROUBLE DIAG RECORD, diagnostic results previously erased by a reset operation can be displayed on the CONSULT-III screen.
- “ECU DISCRIMINATED NO.”
The diagnosis sensor unit for each vehicle model is assigned with its own, individual classification number. This number will be displayed on the CONSULT-III screen, as shown. When replacing the diagnosis sensor unit, refer to the part number for the compatibility. After installation, replacement with a correct unit can be checked by confirming this classification number on the CONSULT-III screen.
After repair, make sure the discriminated number of diagnosis sensor unit installed to vehicle are same. Refer to [SRS-51, "ECU DISCRIMINATED NO."](#) .

HOW TO CHANGE SELF-DIAGNOSIS MODE WITH CONSULT-LII

From User Mode to Diagnosis Mode

After selecting “AIR BAG” on the “SELECT SYSTEM” screen, User mode automatically changes to Diagnosis mode.

From Diagnosis Mode to User Mode

To return to User mode from Diagnosis mode, touch “BACK” key of CONSULT-III until “SELECT SYSTEM” appears, then diagnosis mode automatically changes to User mode.

A
B
C
D
E
F
G
I
J
K
L
M

SRS

TROUBLE DIAGNOSIS

HOW TO ERASE SELF-DIAGNOSTIC RESULTS

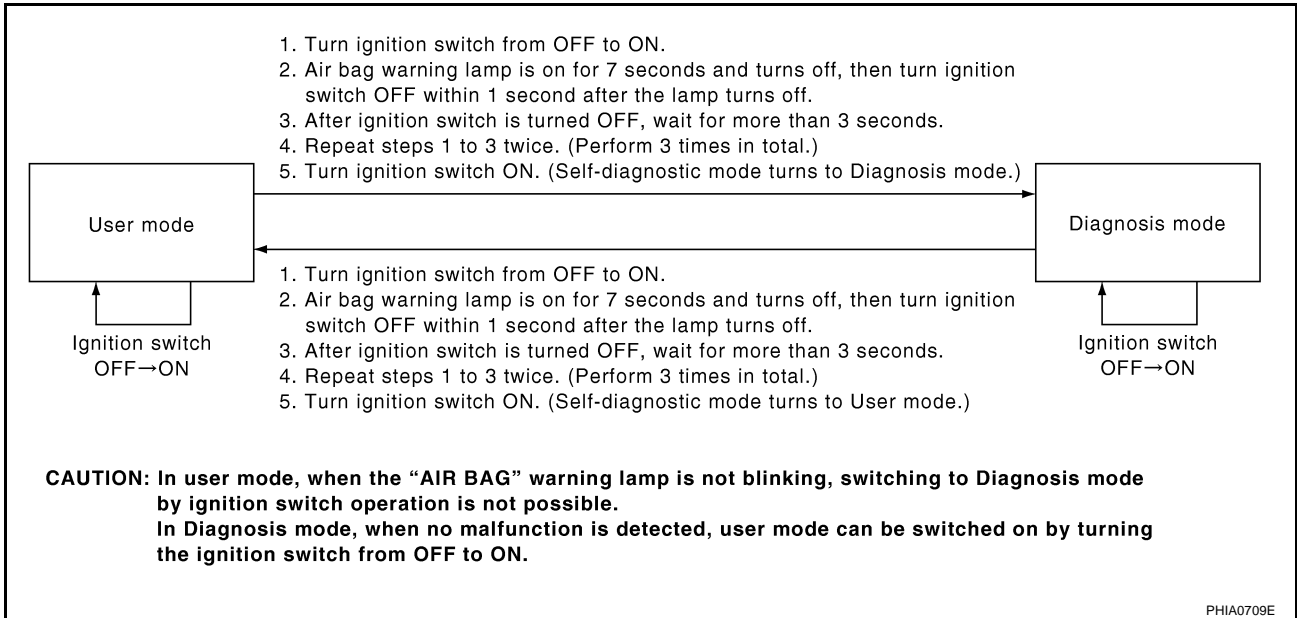
- “SELF-DIAG [CURRENT]”
A current self-diagnostic result is displayed on the CONSULT-III screen in real time. After the malfunction is repaired completely, no malfunction is detected on “SELF-DIAG [CURRENT]”.
- “SELF-DIAG [PAST]”
Return to the “SELF-DIAG [CURRENT]” CONSULT-III screen by touching “BACK” key of CONSULT-III and select “SELF-DIAG [CURRENT]” in SELECT DIAG MODE. Touch “ERASE” in “SELF-DIAG [CURRENT]” mode.
NOTE:
If the memory of the malfunction in “SELF-DIAG [PAST]” is not erased, the User mode shows the system malfunction by the operation of the warning lamp even if the malfunction is repaired completely.
- “TROUBLE DIAG RECORD”
The memory of “TROUBLE DIAG RECORD” cannot be erased.

Self-Diagnosis Function (Without CONSULT-III)

NHS0000N

- The reading of these results is accomplished “User mode” and “Diagnosis mode”.
- After a malfunction is repaired, turn ignition switch ON. Diagnosis mode returns to the User mode. At that time, the self-diagnostic result is cleared.

HOW TO CHANGE SELF-DIAGNOSTIC MODE WITHOUT CONSULT-LLL



HOW TO ERASE SELF-DIAGNOSTIC RESULTS

After a malfunction is repaired, turn the ignition switch OFF for at least one second, then back ON. Diagnosis mode returns to the User mode. At that time, the self-diagnostic results are cleared.

TROUBLE DIAGNOSIS

SRS Operation Check (USER MODE)

NHS00000

DIAGNOSTIC PROCEDURE

Checking Air Bag Operation by Using “AIR BAG” Warning Lamp—User Mode

1. Turn ignition switch from OFF to ON, and make sure that the air bag warning lamp blinks.
2. Compare the SRS air bag warning lamp blinking pattern with the examples.

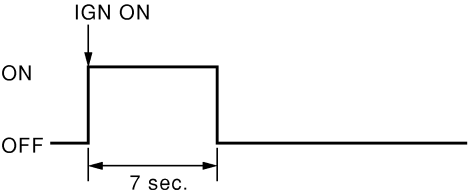
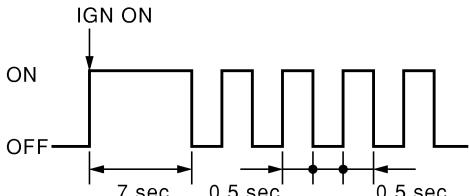
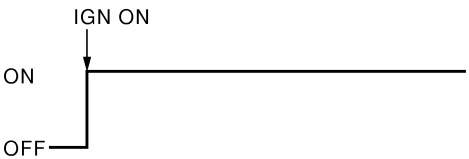



A
B
C
D
E
F
G
I
J
K
L
M

SRS

TROUBLE DIAGNOSIS

Warning lamp examples

"AIR BAG" warning lamp operation-User mode-	SRS condition	Reference item
 <p style="text-align: right; margin-right: 50px;">SHIA0011E</p>	<ul style="list-style-type: none"> ● No malfunction is detected. ● No further action is necessary. 	—
 <p style="text-align: right; margin-right: 50px;">SHIA0012E</p>	<ul style="list-style-type: none"> ● The system is malfunctioning and needs to be repaired as indicated. 	<p>Go to SRS-33, "WARNING LAMP FLASH CODE CHART" or SRS-29, "DTC No. Index ("SELF-DIAG [CURRENT]" "SELF-DIAG [PAST]" or TROUBLE DIAG RECORD)".</p>
 <p style="text-align: right; margin-right: 50px;">SHIA0013E</p>	<ul style="list-style-type: none"> ● Air bag is deployed. ● Seat belt pre-tensioner is deployed. ● Diagnosis sensor unit is malfunctioning. ● Air bag power supply circuit is malfunctioning. ● SRS air bag warning lamp circuit is malfunctioning. 	<p>Go to SRS-53, "COLLISION DIAGNOSIS".</p> <p>Go to SRS-37, "Trouble Diagnosis: "AIR BAG" Warning Lamp Does Not Turn OFF".</p>
 <p style="text-align: right; margin-right: 50px;">SHIA0014E</p>	<ul style="list-style-type: none"> ● Diagnosis sensor unit is malfunctioning. ● Air bag warning lamp circuit is malfunctioning. 	<p>Go to SRS-38, "Trouble Diagnosis: "AIR BAG" Warning Lamp Does Not Turn ON".</p>

TROUBLE DIAGNOSIS

Trouble Diagnosis with CONSULT-III DIAGNOSTIC PROCEDURE

NHS0000P

Diagnostic mode	Description
SELF-DIAG RESULT	The self-diagnosis result is displayed. (SELF-DIAG [CURRENT], [PAST], [RECORRD]). Refer to SRS-29. "DTC No. Index ("SELF-DIAG [CURRENT]" "SELF-DIAG [PAST]" or TROUBLE DIAG RECORD) .
ECU DISCRIMINATED No.	The parts number of diagnosis sensor unit is displayed.

DTC No. Index (“SELF-DIAG [CURRENT]” “SELF-DIAG [PAST]” or TROUBLE DIAG RECORD)

Diagnostic item	Explanation	Repair order “Recheck SRS at each replacement”
NO DTC IS DETECTED.	When malfunction is indicated by the “AIR BAG” warning lamp in User mode. <ul style="list-style-type: none"> ● Low battery voltage (Less than 9V) ● Self-diagnostic results “SELF-DIAG [PAST]” (previously stored in the memory) might not be erased after repair. ● Intermittent malfunction has been detected in the past. 	—
	<ul style="list-style-type: none"> ● No malfunction is detected. 	—
DRIVER AIRBAG MODULE [OPEN] [B1054]	<ul style="list-style-type: none"> ● Driver air bag module circuit is open (including the spiral cable). 	<ol style="list-style-type: none"> 1. Visually check the wiring harness connection. 2. Replace the harness if it has visible damage. 3. Replace driver air bag module. 4. Replace the spiral cable. 5. Replace the diagnosis sensor unit.
DRIVER AIRBAG MODULE [VB-SHORT] [B1055]	<ul style="list-style-type: none"> ● Driver air bag module circuit is shorted to a power supply circuit (including the spiral cable). 	
DRIVER AIRBAG MODULE [GND-SHORT] [B1056]	<ul style="list-style-type: none"> ● Driver air bag module circuit is shorted to ground (including the spiral cable). 	
DRIVER AIRBAG MODULE [SHORT] [B1057]	<ul style="list-style-type: none"> ● Driver air bag module circuit is shorted between lines. 	
ASSIST A/B MODULE [VB-SHORT] [B1070]	<ul style="list-style-type: none"> ● Front passenger air bag module circuit is shorted to a power supply circuit. 	
ASSIST A/B MODULE [OPEN] [B1071]	<ul style="list-style-type: none"> ● Front passenger air bag module circuit is open. 	<ol style="list-style-type: none"> 2. Replace the harness if it has visible damage. 3. Replace front passenger air bag module. 4. Replace the diagnosis sensor unit.
ASSIST A/B MODULE [GND-SHORT] [B1072]	<ul style="list-style-type: none"> ● Front passenger air bag module circuit is shorted to ground. 	
ASSIST A/B MODULE [SHORT] [B1073]	<ul style="list-style-type: none"> ● Front passenger air bag module circuit is shorted between lines. 	
CRASH ZONE SEN [UNIT FAIL] [B1033] [B1034] CRASH ZONE SEN [COMM FAIL] [B1035] CRASH ZONE SEN [UNMATCH] [B1036]	<ul style="list-style-type: none"> ● Crash zone sensor 	<ol style="list-style-type: none"> 1. Visually check the wiring harness connection. 2. Replace the harness if it has visible damage. 3. Replace the crash zone sensor. 4. Replace the diagnosis sensor unit.

TROUBLE DIAGNOSIS

Diagnostic item	Explanation	Repair order "Recheck SRS at each replacement"
SIDE MODULE LH [OPEN] [B1134]	● Front LH side air bag module circuit is open.	1. Visually check the wiring harness connection. 2. Replace the harness if it has visible damage. 3. Replace front LH setback assembly (front LH side air bag module). 4. Replace the diagnosis sensor unit.
SIDE MODULE LH [VB-SHORT] [B1135]	● Front LH side air bag module circuit is shorted to a power supply circuit.	
SIDE MODULE LH [GND-SHORT] [B1136]	● Front LH side air bag module circuit is shorted to ground.	
SIDE MODULE LH [SHORT] [B1137]	● Front LH side air bag module circuit is shorted between lines.	
SIDE MODULE RH [OPEN] [B1129]	● Front RH side air bag module circuit is open.	1. Visually check the wiring harness connection. 2. Replace the harness if it has visible damage. 3. Replace front RH setback assembly (front RH side air bag module). 4. Replace the diagnosis sensor unit.
SIDE MODULE RH [VB-SHORT] [B1130]	● Front RH side air bag module circuit is shorted to some power supply circuit.	
SIDE MODULE RH [GND-SHORT] [B1131]	● Front RH side air bag module circuit is shorted to ground.	
SIDE MODULE RH [SHORT] [B1132]	● Front RH side air bag module circuit is shorted between lines.	
SATELLITE SENS LH [UNIT FAIL] [B1118] [B1119] SATELLITE SENS LH [COMM FAIL] [B1120] SATELLITE SENS LH [UNMATCH] [B1121]	● LH side air bag (Satellite) sensor	1. Visually check the wiring harness connection. 2. Replace the harness if it has visible damage. 3. Replace the LH side air bag (Satellite) sensor. 4. Replace the diagnosis sensor unit.
SATELLITE SENS RH [UNIT FAIL] [B1113] [B1114] SATELLITE SENS RH [COMM FAIL] [B1115] SATELLITE SENS RH [UNMATCH] [B1116]	● RH side air bag (Satellite) sensor	1. Visually check the wiring harness connection. 2. Replace the harness if it has visible damage. 3. Replace the RH side air bag (Satellite) sensor. 4. Replace the diagnosis sensor unit.
PRE-TEN FRONT LH [OPEN] [B1086]	● Front LH pre-tensioner circuit is open.	1. Visually check the wiring harness connections. 2. Replace the harness if it has visible damage. 3. Replace front LH seat belt. 4. Replace the diagnosis sensor unit.
PRE-TEN FRONT LH [VB-SHORT] [B1087]	● Front LH pre-tensioner circuit is shorted to a power supply circuit.	
PRE-TEN FRONT LH [GND-SHORT] [B1088]	● Front LH pre-tensioner circuit is shorted to ground.	
PRE-TEN FRONT LH [SHORT] [B1089]	● Front LH pre-tensioner circuit is shorted between lines.	

TROUBLE DIAGNOSIS

Diagnostic item	Explanation	Repair order "Recheck SRS at each replacement"
PRE-TEN FRONT RH [OPEN] [B1081]	● Front RH pre-tensioner circuit is shorted to a power supply circuit.	1. Visually check the wiring harness connections. 2. Replace the harness if it has visible damage. 3. Replace front RH seat belt. 4. Replace the diagnosis sensor unit.
PRE-TEN FRONT RH [VB-SHORT] [B1082]	● Front RH pre-tensioner is shorted to a power supply circuit.	
PRE-TEN FRONT RH [GND-SHORT] [B1083]	● Front RH pre-tensioner circuit is shorted to ground.	
PRE-TEN FRONT RH [SHORT] [B1084]	● Front RH pre-tensioner circuit is shorted between lines.	
CURTAIN MODULE LH* [OPEN] [B1150]	● LH side curtain air bag module circuit is open.	1. Visually check the wiring harness connection. 2. Replace the harness if it has visible damage. 3. Replace LH side curtain air bag module. 4. Replace the diagnosis sensor unit.
CURTAIN MODULE LH* [VB-SHORT] [B1151]	● LH side curtain air bag module circuit is shorted to some power supply circuits.	
CURTAIN MODULE LH* [GND-SHORT] [B1152]	● LH side curtain air bag module circuit is shorted to ground.	
CURTAIN MODULE LH* [SHORT] [B1153]	● LH side curtain air bag module circuit is shorted between lines.	
CURTAIN MODULE RH* [OPEN] [B1145]	● RH side curtain air bag module circuit is open.	1. Visually check the wiring harness connection. 2. Replace the harness if it has visible damage. 3. Replace RH side curtain air bag module. 4. Replace the diagnosis sensor unit.
CURTAIN MODULE RH* [VB-SHORT] [B1146]	● RH side curtain air bag module circuit is shorted to a power supply circuit.	
CURTAIN MODULE RH* [GND-SHORT] [B1147]	● RH side curtain air bag module circuit is shorted to ground.	
CURTAIN MODULE RH* [SHORT] [B1148]	● RH side curtain air bag module circuit is shorted between lines.	
CONTROL UNIT [B1001-B1015] [B1026-B1031] [B1042-B1047] [B1058-B1063] [B1074-B1079] [B1106-B1111] [B1122-B1127] [B1138-B1143] [B1202-B1207]	● Diagnosis sensor unit is malfunctioning.	● Replace the diagnosis sensor unit.
PASS A/B INDCTR CKT [B1023]	● Cutoff telltale circuit is open or shorted to grand or the circuits are shorted each other.	1. Visually check the wiring harness connection. 2. Replace the harness if it has visible damage. 3. Replace cutoff telltale. 4. Replace the diagnosis sensor unit.

A
B
C
D
E
F
G
SRS
I
J
K
L
M

TROUBLE DIAGNOSIS

Diagnostic item	Explanation	Repair order "Recheck SRS at each replacement"
OCCUPANT SENS C/U [UNIT FAIL] [B1017] [B1020] [B1021]	<ul style="list-style-type: none"> ● Trouble occurs in Occupant Classification System-CU. 	<ul style="list-style-type: none"> ● Replace passenger side seat cushion assembly.
OCCUPANT SENS C/U [COMM FAIL] [B1022]	<ul style="list-style-type: none"> ● Trouble occurs in Occupant Classification System-CU, circuit of Occupant Classification System-CU—Diagnosis Sensor Unit or Diagnosis Sensor Unit. 	<ol style="list-style-type: none"> 1. Visually check the wiring harness connection. 2. Replace the harness if it has visible damage. 3. Replace passenger side seat cushion assembly. 4. Replace the diagnosis sensor unit.
OCCUPANT SENS [UNIT FAIL] [B1018]	<ul style="list-style-type: none"> ● Trouble occurs in Occupant Classification System-SENS. 	<ul style="list-style-type: none"> ● Replace passenger side seat cushion assembly.
FRONTAL COLLISION DETECTION [B1209]	<ul style="list-style-type: none"> ● Seat belt pre-tensioner and front air bag are deployed. 	<ul style="list-style-type: none"> ● Go to SRS-53, "For Frontal Collision" .
SIDE COLLISION DETECTION [B1210]	<ul style="list-style-type: none"> ● Side and curtain air bag is deployed. 	<ul style="list-style-type: none"> ● Go to SRS-55, "For Side Collision" .

*: For coupe

NOTE:

Follow the procedures in numerical order when repairing malfunctioning parts. Confirm whether malfunction is eliminated using air bag warning lamp or CONSULT-III each time repair is finished. If malfunction is still observed, proceed to the next step. When malfunction is eliminated, further repair work is not required.

TROUBLE DIAGNOSIS

NHS0000Q

Trouble Diagnosis without CONSULT-III DIAGNOSTIC PROCEDURE

Inspecting SRS Malfunctioning Parts by Using "AIR BAG" Warning Lamp — Diagnosis Mode

NOTE:

SRS will not enter Diagnosis mode if no malfunction is detected in User mode.

1. Turn ignition switch ON.
2. After "AIR BAG" warning lamp lights for 7 seconds, turn ignition switch OFF within 1 second.
3. Wait more than 3 seconds.
4. Repeat the steps 1 to 3 two times.
5. Turn ignition switch ON.

SRS is now in Diagnosis mode.

"AIR BAG" warning lamp operates in Diagnosis mode as follows:

WARNING LAMP FLASH CODE CHART

<Diagnosis results (previously stored in the memory) might not be erased after repair or intermittent malfunctions have been detected in the past.>	
<p>Flash pattern</p> <p>a through b are repeated.</p> <p>IGN ON</p> <p>OFF</p>	<p>Repair order</p> <ol style="list-style-type: none"> 1. Erase memory. (Once key switch is turned from OFF to ON, TROUBLE DIAG RECORD will be erased.)
PHIA0532E	
<Driver air bag module>	
<p>Flash pattern</p> <p>a through d are repeated.</p> <p>d: Two flashes indicate malfunctioning driver air bag module circuit.</p> <p>OFF</p>	<p>Repair order</p> <ol style="list-style-type: none"> 1. Visually check the wiring harness connection. 2. Replace the harness if it has visible damage. 3. Replace the spiral cable. 4. Replace the related harness.
PHIA1233E	
<Diagnosis sensor unit>	
<p>Flash pattern</p> <p>a through d are repeated.</p> <p>d: Seven flashes indicate malfunctioning diagnosis sensor unit circuit.</p> <p>OFF</p>	<p>Repair order</p> <ol style="list-style-type: none"> 1. Visually check the wiring harness connections. 2. Replace the harness if it has visible damage. 3. Replace the diagnosis sensor unit. 4. Replace the related harness.
SHIA0028E	

A
B
C
D
E
F
G
I
J
K
L
M

SRS

TROUBLE DIAGNOSIS

<Front passenger air bag module>	
Flash pattern	Repair order
<p>a through d are repeated.</p> <p>d: Eight flashes indicate malfunctioning front passenger air bag module circuit.</p>	<ol style="list-style-type: none"> 1. Visually check the wiring harness connection. 2. Replace the harness if it has visible damage. 3. Replace the related harness.

PHIA1234E

<Crash zone sensor>	
Flash pattern	Repair order
<p>a through d are repeated.</p> <p>d: Six flashes indicate malfunctioning crash zone sensor circuit.</p>	<ol style="list-style-type: none"> 1. Visually check the wiring harness connection. 2. Replace the harness if it has visible damage. 3. Replace the crash zone sensor. 4. Replace the diagnosis sensor unit. 5. Replace the related harness.

SHIA0083E

<Front RH seat belt pre-tensioner>	
Flash pattern	Repair order
<p>a through d are repeated.</p> <p>d: One flash indicates malfunctioning front RH seat belt pre-tensioner circuit.</p>	<ol style="list-style-type: none"> 1. Visually check the wiring harness connections. 2. Replace the harness if it has visible damage. 3. Replace the related harness.

PHIA1235E

<Front LH seat belt pre-tensioner>	
Flash pattern	Repair order
<p>a through d are repeated.</p> <p>d: Three flashes indicate malfunctioning front LH seat belt pre-tensioner circuit.</p>	<ol style="list-style-type: none"> 1. Visually check the wiring harness connections. 2. Replace the harness if it has visible damage. 3. Replace the related harness.

PHIA1236E

TROUBLE DIAGNOSIS

<RH side air bag (Satellite) sensor>	
Flash pattern	Repair order
<p>a through f are repeated. f: Three flashes indicate malfunctioning RH side air bag (Satellite) sensor circuit.</p>	<ol style="list-style-type: none"> 1. Visually check the wiring harness connection. 2. Replace the harness if it has visible damage. 3. Replace the RH side air bag (Satellite) sensor. 4. Replace the diagnosis sensor unit. 5. Replace the related harness.

SHIA0032E

<LH side air bag (Satellite) sensor>	
Flash pattern	Repair order
<p>a through f are repeated. f: Four flashes indicate malfunctioning LH side air bag (Satellite) sensor.</p>	<ol style="list-style-type: none"> 1. Visually check the wiring harness connection. 2. Replace the harness if it has visible damage. 3. Replace the LH side air bag (Satellite) sensor. 4. Replace the diagnosis sensor unit. 5. Replace the related harness.

SHIA0033E

<Front RH side air bag module>	
Flash pattern	Repair order
<p>a through f are repeated. f: One flash indicates malfunctioning front RH side air bag module circuit.</p>	<ol style="list-style-type: none"> 1. Visually check the wiring harness connection. 2. Replace the harness if it has visible damage. 3. Replace the related harness.

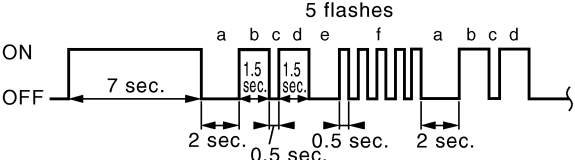
PHIA1237E

<Front LH side air bag module>	
Flash pattern	Repair order
<p>a through f are repeated. f: Two flashes indicate malfunctioning front LH side air bag module circuit.</p>	<ol style="list-style-type: none"> 1. Visually check the wiring harness connection. 2. Replace the harness if it has visible damage. 3. Replace the related harness.

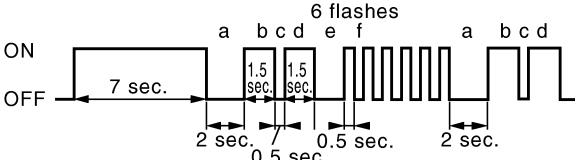
PHIA1238E

A
B
C
D
E
F
G
SRS
I
J
K
L
M

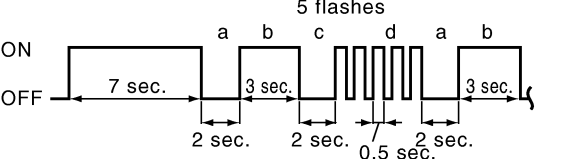
TROUBLE DIAGNOSIS

<RH side curtain air bag module>	
Flash pattern	Repair order
<p>a through f are repeated. f: Five flashes indicate malfunctioning RH side curtain air bag module circuit.</p> 	<ol style="list-style-type: none"> 1. Visually check the wiring harness connection. 2. Replace the harness if it has visible damage. 3. Replace the related harness.

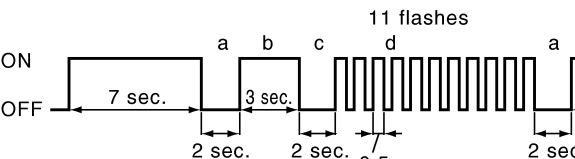
PHIA1240E

<LH side curtain air bag module>	
Flash pattern	Repair order
<p>a through f are repeated. f: Six flashes indicate malfunctioning LH side curtain air bag module circuit.</p> 	<ol style="list-style-type: none"> 1. Visually check the wiring harness connection. 2. Replace the harness if it has visible damage. 3. Replace the related harness.

PHIA1241E

<Occupant classification system>	
Flash pattern	Repair order
<p>a through d are repeated. d: Five flashes indicate malfunctioning OCS control unit.</p> 	<ol style="list-style-type: none"> 1. Visually check the wiring harness connection. 2. Replace the harness if it has visible damage. 3. Replace front passenger seat cushion and occupant classification system control unit as an assembly. 4. Replace the diagnosis sensor unit.

PHIA1242E

<Front passenger air bag off indicator>	
Flash pattern	Repair order
<p>a through d are repeated. d: Eleven flashes indicate malfunctioning front passenger air bag off indicator.</p> 	<ol style="list-style-type: none"> 1. Visually check the wiring harness connection. 2. Replace the harness if it has visible damage. 3. Replace front passenger air bag off indicator unit. 4. Replace the diagnosis sensor unit. 5. Replace the related harness.

PHIA1243E

TROUBLE DIAGNOSIS

Trouble Diagnosis: "AIR BAG" Warning Lamp Does Not Turn OFF DIAGNOSTIC PROCEDURE

NHS0000R

A

1. CHECK THE DEPLOYMENT OF AIR BAG MODULE

Is air bag module deployed?

B

YES or NO

YES >> Refer to [SRS-53, "COLLISION DIAGNOSIS"](#).

NO >> GO TO 2.

C

2. CHECK THE AIR BAG FUSE

Check 10A fuse [No.13, located in fuse block (J/B)].

D

Refer to [PG-15, "Fuse"](#).

OK or NG

E

OK >> GO TO 4.

NG >> GO TO 3.

3. CHECK AIR BAG FUSE AGAIN

Replace "AIR BAG" fuse and turn ignition switch ON.

Does the "AIR BAG" fuse blow again?

G

YES >> Repair or replace main harness.

NO >> **INSPECTION END**

4. CHECK DIAGNOSIS SENSOR UNIT

SRS

 With CONSULT-III

Is "AIR BAG" displayed on CONSULT-III?

I

YES or NO

YES >> GO TO 5.

NO >> Visually check the wiring harness connection of diagnosis sensor unit. If the harness connection check result is OK, replace diagnosis sensor unit.

J

5. CHECK HARNESS CONNECTION

Is harness connection between warning lamp and diagnosis sensor unit OK?

K

OK or NG

L

OK >> Replace diagnosis sensor unit.

NG >> Connect "AIR BAG" warning lamp and diagnosis sensor unit connector properly. If "AIR BAG" warning lamp still does not go off, replace harness.

M

TROUBLE DIAGNOSIS

Trouble Diagnosis: "AIR BAG" Warning Lamp Does Not Turn ON DIAGNOSTIC PROCEDURE

NHS0000S

1. CHECK "METER" FUSE

Check 10A fuse [No.14, located in fuse block (J/B)].

Refer to [PG-15, "Fuse"](#) .

OK or NG

OK >> GO TO 3.

NG >> GO TO 2.

2. CHECK "METER" FUSE AGAIN

Replace 10A fuse [No.14, located in fuse block (J/B)] and turn ignition switch ON.

Does the meter fuse blow again?

YES >> Repair or replace the related harness.

NO >> **INSPECTION END**

3. CHECK HARNESS CONNECTION BETWEEN DIAGNOSIS SENSOR UNIT AND COMBINATION METER

Disconnect diagnosis sensor unit connector and turn ignition switch ON.

Does "AIR BAG" warning lamp turn ON?

YES or NO

YES >> Replace diagnosis sensor unit.

NO >> Replace combination meter assembly.

TROUBLE DIAGNOSIS

Trouble Diagnosis: Passenger Seat belt Warning System

NHS000A5

1. HECK THE SYSTEM 1

Check seat belt warning lamp function.

Seat belt warning lamp turns ON in the following conditions.

- Driver seat belt is fastened.
- Occupant is on passenger seat.
- Passenger seat belt is not fasten.

OK or NG

OK >> GO TO 2.

NG >> Check the followings.

- Harness between air bag diagnosis sensor unit and combination meter.
- Seat belt buckle switch (passenger side) circuit.
- Seat belt buckle switch (passenger side).
If these are OK, replace air bag diagnosis sensor unit.

2. CHECK THE SYSTEM 2

Check seat belt warning lamp function.

Seat belt warning lamp turns OFF in the following conditions.

- Driver seat belt is fastened.
- Occupant is on passenger seat.
- Passenger seat belt is fastened.

OK or NG

OK >> System is OK.

NG >> Check the followings.

- Sea tbelt buckle switch (passenger side) circuit.
- Seat belt buckle switch (passenger side).
If these are OK, replace air bag diagnosis sensor unit.

A

B

C

D

E

F

G

SRS

I

J

K

L

M

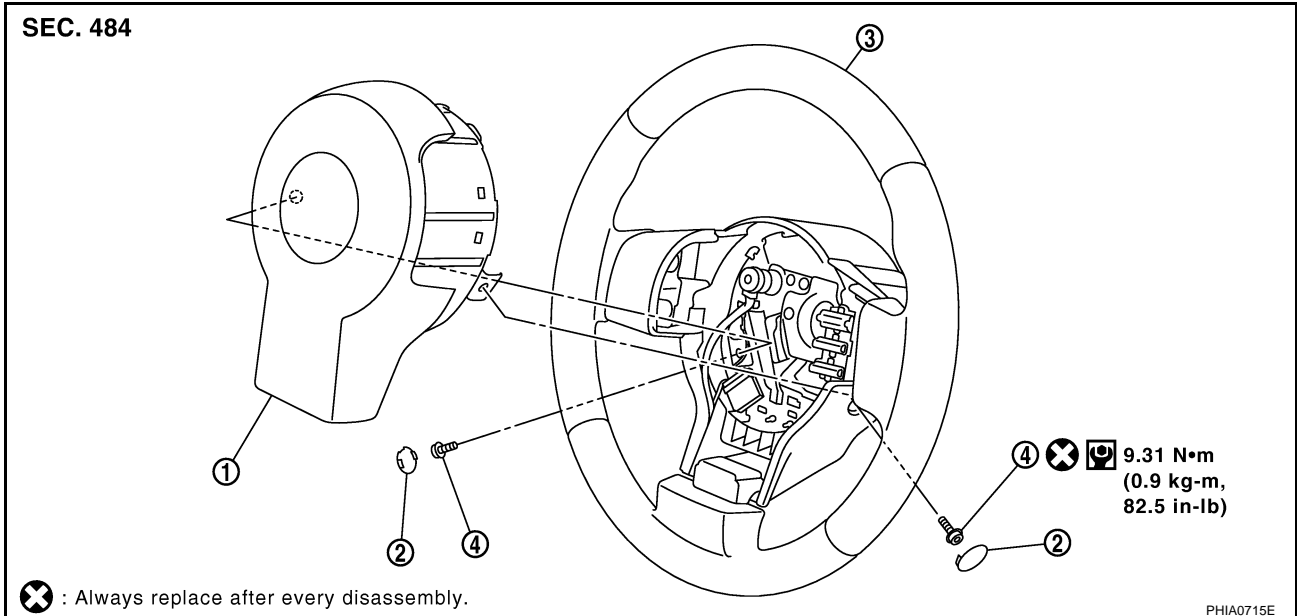
DRIVER AIR BAG MODULE

DRIVER AIR BAG MODULE

PFP:K8510

Removal and Installation

NHS0000T



1. Driver air bag module
4. TORX bolt (T30)

2. Side lid (RH/LH)

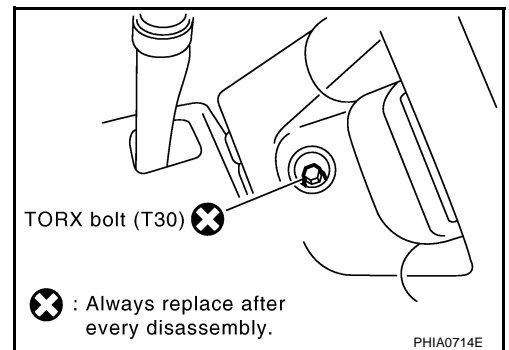
3. Steering wheel

REMOVAL

CAUTION:

- Before servicing SRS, turn the ignition switch off, disconnect both battery cables and wait at least 3 minutes.
- Always work from the side of driver air bag module.
- Do not use air tools or electric tools for servicing.

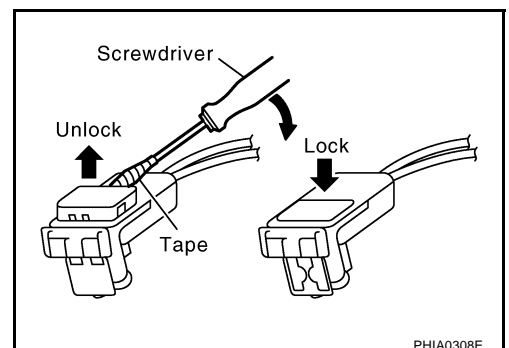
1. Remove the side lids (RH/LH).
2. Using Tamper resistant TORX bit (T30), remove the TORX bolts (T30) at right and left.



3. Disconnect the steering wheel switch sub-harness connector.
4. Disconnect the air bag harness connector, and remove the driver air bag module.

CAUTION:

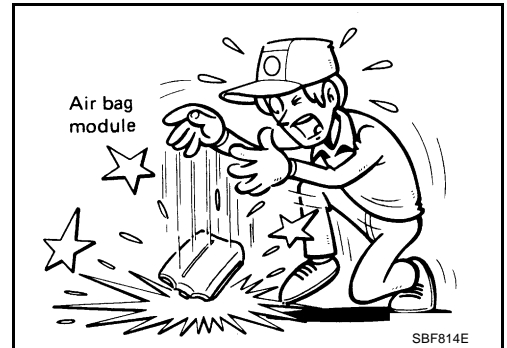
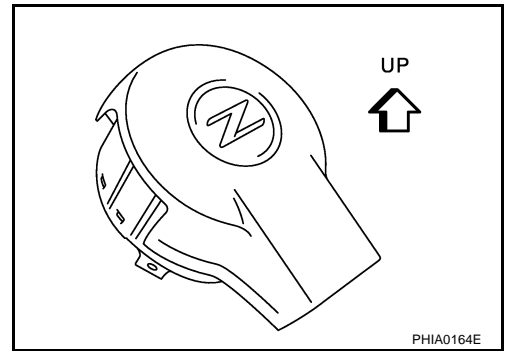
- For installing / removing driver air bag module connector, insert thin screwdriver wrapped in tape into notch, lift lock and remove connector.
- Install connector with lock raised, and push lock into connector.
- After installing the connector, make sure that the lock is pushed securely into it.



DRIVER AIR BAG MODULE

CAUTION:

- Always work from the side of driver air bag module.
 - Always place driver air bag module with pad side facing upward.
 - Do not insert any foreign objects (screwdriver, etc.) into driver air bag module.
 - Do not disassemble driver air bag module.
 - Do not use old bolts after removal; replace with new bolts.
 - Do not expose the driver air bag module to temperatures exceeding 90°C (194°F).
-
- Replace driver air bag module if it has been dropped or sustained an impact.
 - Do not allow oil, grease or water to come in contact with the front passenger air bag module.



INSTALLATION

Install in the reverse order of removal.

CAUTION:

- For installing the air bag module, tighten the TORX bolts (T30).
- After the work is completed, perform self-diagnosis to make sure that no malfunction is detected. Refer to [SRS-27, "SRS Operation Check \(USER MODE\)"](#).

A
B
C
D
E
F
G
SRS
I
J
K
L
M

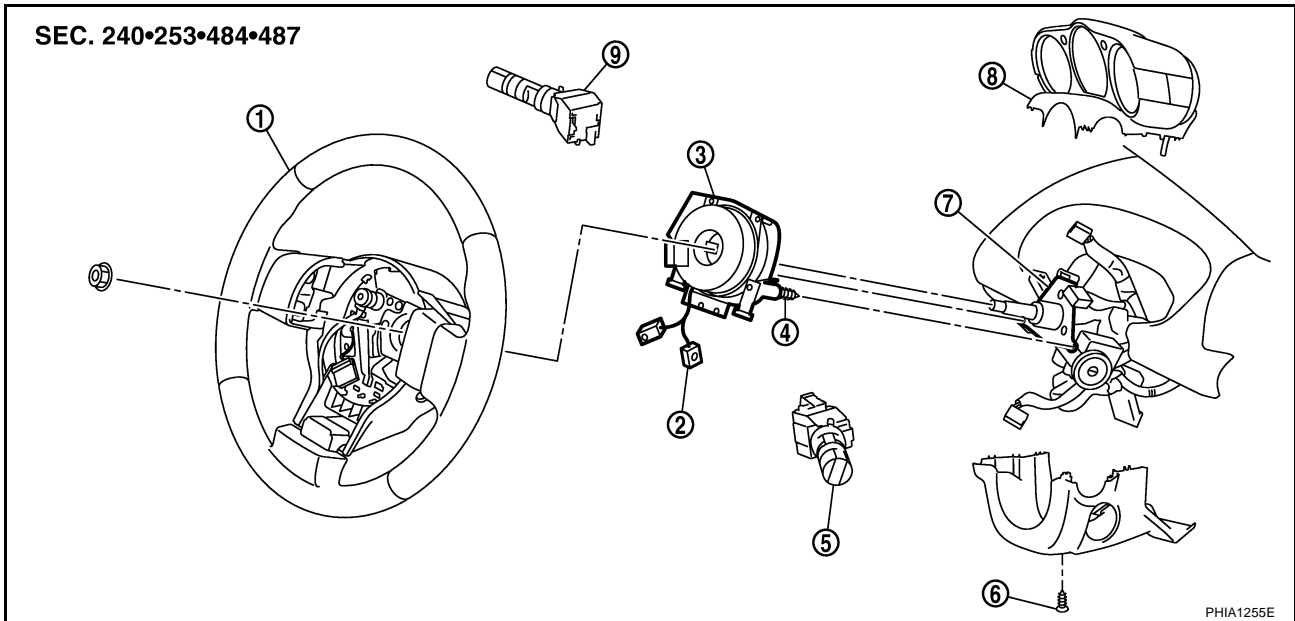
SPIRAL CABLE

SPIRAL CABLE

PFP:25554

Removal and Installation

NHS0000U



- | | | |
|-----------------------------|------------------------------------|------------------------------------|
| 1. Steering wheel | 2. Driver air bag module connector | 3. Spiral cable |
| 4. Screw (Do not remove) | 5. Wiper and washer switch | 6. Screw |
| 7. Steering column assembly | 8. Combination meter | 9. Lighting and turn signal switch |

REMOVAL

CAUTION:

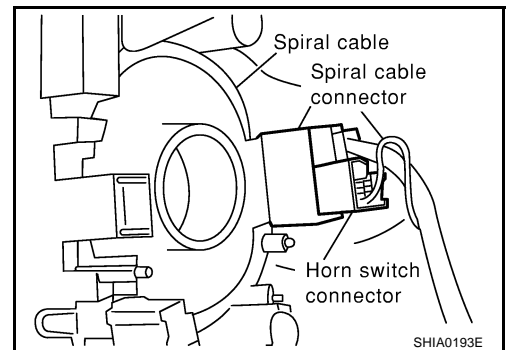
- Before servicing SRS, turn the ignition switch off, disconnect both battery cables and wait at least 3 minutes.
 - Do not use air tools or electric tools for servicing.
1. Remove driver air bag module. Refer to [SRS-40, "Removal and Installation"](#).
 2. Disconnect horn switch connector.
 3. Set the steering wheel in the neutral position.
 4. Remove steering wheel. Refer to [PS-7, "STEERING WHEEL"](#).
 5. Remove combination meter assembly. Refer to [DI-24, "Removal and Installation for Combination Meter"](#).
 6. Loosen the spiral cable fixing screws, and then remove the spiral cable.

CAUTION:

- Do not disassemble spiral cable.
 - Do not apply lubricant to the spiral cable.
7. Remove the horn switch connector and then remove spiral cable connector.

CAUTION:

Also, with the steering linkage disconnected the cable may snap by turning the steering wheel beyond the limited number of turns.



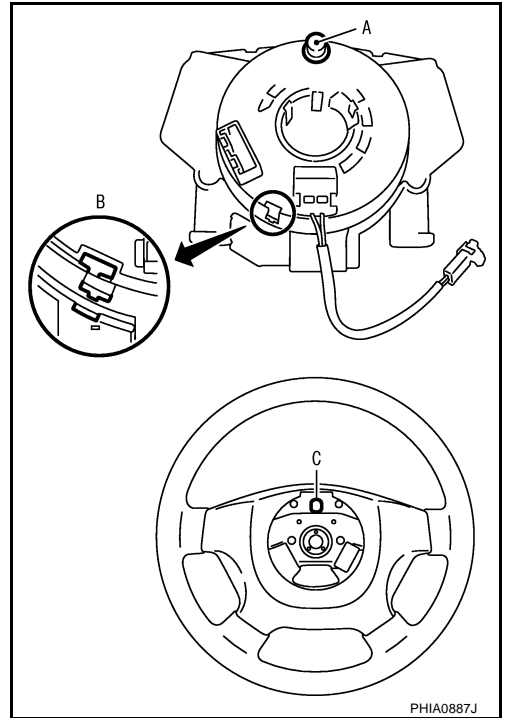
SPIRAL CABLE

INSTALLATION

Install in the reverse order of removal.

CAUTION:

- The spiral cable may snap by steering operation if the cable is installed in an improper position.
- The neutral position is set as follows.
Turn quietly the spiral cable clockwise to the end position. Then turn it counterclockwise (about 2 and half turns) and stop turning at the point on which the stopper insertion holes are in the same position. The service part is installed in the neutral position by the stopper and can be set without adjusting after the stopper is removed.
- Do not turn the spiral cable rashly and also beyond the limit number of turns. (These will cause cable snap.)
- Adjust the spiral cable locating pin (showed as A in the figure) to the steering wheel locating pin hole (showed as C in the figure).
- Secure the air bag harness with the harness fixing hook.
- After the work is completed, make sure no system malfunction is detected by air bag warning lamp.
- In case that malfunction is detected by the air bag warning lamp, reset by the self-diagnosis function and delete the memory by CONSULT-III.
- In case that malfunction is still detected after the above operation, perform self-diagnosis to repair malfunctions. Refer to [SRS-27, "SRS Operation Check \(USER MODE\)"](#) .



A
B
C
D
E
F
G
SRS
I
J
K
L
M

FRONT PASSENGER AIR BAG MODULE

FRONT PASSENGER AIR BAG MODULE

PFK:K8515

Removal and Installation REMOVAL

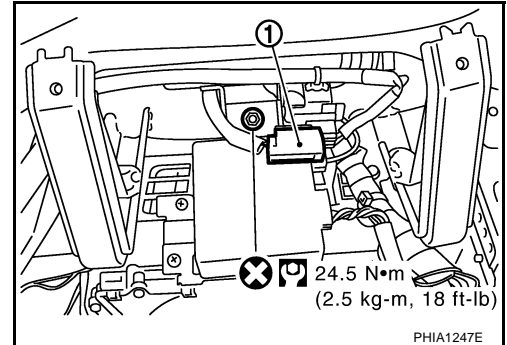
NHS0000V

CAUTION:

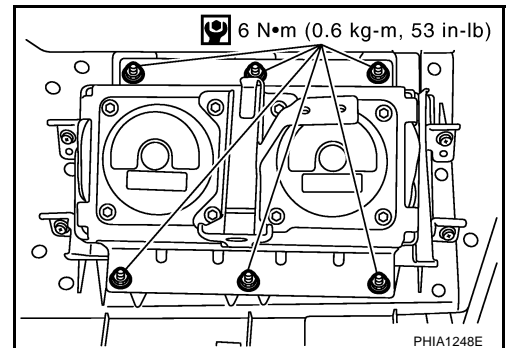
- Before servicing SRS, turn the ignition switch off, disconnect both battery cables and wait at least 3 minutes.
 - Always work from the side of or under front passenger air bag module.
 - Do not use air tools or electric tools for servicing.
1. Remove cluster lid C. Refer to [IP-14, "\(Q\) Cluster Lid C"](#).
 2. Remove instrument passenger panel lower and knee protector (RH). Refer to [IP-13, "\(L\) Instrument Passenger Panel Lower"](#).
 3. Disconnect passenger air bag module connector.

Passenger air bag module connector : (1)

4. Remove hexagon bolt, and then remove instrument passenger panel upper assembly.



5. Remove fixing nuts, and then remove front passenger air bag module.



CAUTION:

- Always place front passenger air bag module with caution label side facing upward.
 - Do not insert any foreign objects (screwdriver, etc.) into front passenger air bag module.
 - Do not disassemble front passenger air bag module.
 - Do not use old bolts after removal; replace with new bolts.
- Replace front passenger air bag module if it has been dropped or sustained an impact.
 - Do not expose the front passenger air bag module to temperatures exceeding 90°C (194°F).
 - Do not allow oil, grease or water to come in contact with the front passenger air bag module.
 - After front passenger air bag module inflates, the instrument panel assembly should be replaced.



FRONT PASSENGER AIR BAG MODULE

INSTALLATION

Install in the reverse order of removal.

CAUTION:

- Always work from the side of or under front passenger air bag module.
- After the work is completed, perform self-diagnosis to make sure that no malfunction is detected. Refer to [SRS-27, "SRS Operation Check \(USER MODE\)"](#) .

A

B

C

D

E

F

G

SRS

I

J

K

L

M

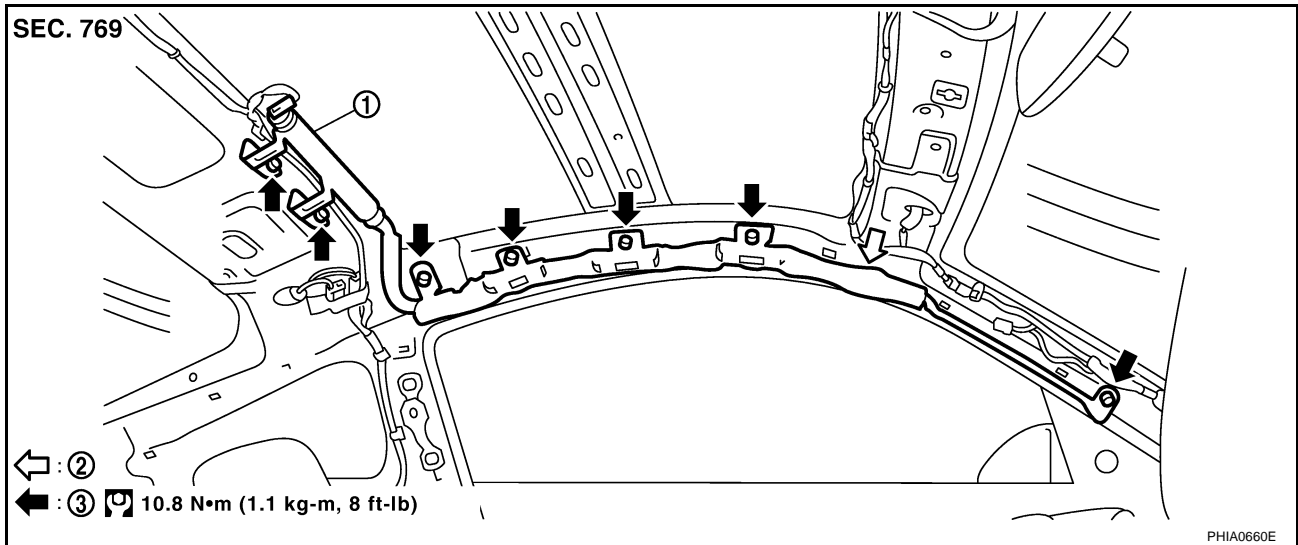
SIDE CURTAIN AIR BAG MODULE (FOR COUPE)

SIDE CURTAIN AIR BAG MODULE (FOR COUPE)

PFP:985P0

Removal and Installation

NHS0000W



1. Side curtain air bag module

2. Clip

3. Bolt

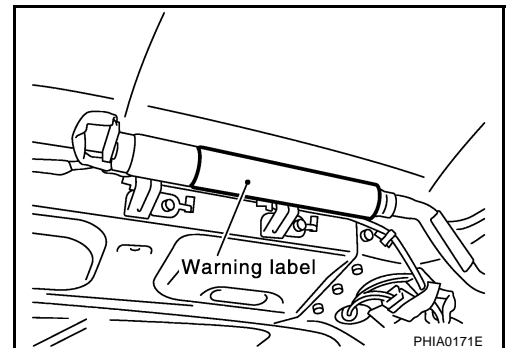
REMOVAL

CAUTION:

- Before servicing SRS, turn the ignition switch off, disconnect both battery cables and wait at least 3 minutes.
 - Do not use air tools or electric tools for servicing.
1. Remove headlining. Refer to [EI-44, "Removal and Installation \(for Coupe Models\)"](#).
 2. Disconnect side curtain air bag connector.
 3. Remove side curtain air bag module fixing bolts and clip.
 4. Remove the side curtain air bag module.

CAUTION:

- Always place the side curtain air bag module with the warning label facing upward.
- Do not disassemble side curtain air bag module.
- Do not insert any foreign objects (screwdriver, etc.) into air bag module connector.



- Replace side curtain air bag module if it has been dropped or sustained an impact.
- Do not expose the air bag module to temperatures exceeding 90°C (194°F).
- Do not allow oil, grease or water to come in contact with the side curtain air bag module.



SIDE CURTAIN AIR BAG MODULE (FOR COUPE)

INSTALLATION

Install in the reverse order of removal.

CAUTION:

- Always work from the side of the side curtain air bag module.
- After replacement of side curtain air bag module, perform self-diagnosis to make sure that no malfunction is detected. Refer to [SRS-27, "SRS Operation Check \(USER MODE\)"](#) .

A

B

C

D

E

F

G

SRS

I

J

K

L

M

CRASH ZONE SENSOR

CRASH ZONE SENSOR

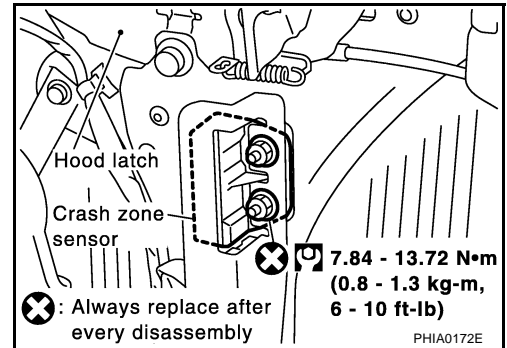
PFP:98531

Removal and Installation REMOVAL

NHS0000X

CAUTION:

- Before servicing SRS, turn the ignition switch off, disconnect both battery cables and wait at least 3 minutes.
 - Do not use air tools or electric tools for servicing.
1. Remove crash zone sensor connector.
 2. Remove crash zone sensor fixing nuts.



CAUTION:

- Replace crash zone sensor if it has been dropped or sustained an impact.
- Do not disassemble crash zone sensor.

INSTALLATION

Install in the reverse order of removal.

CAUTION:

- Check crash zone sensor for proper installation.
- After the work is complete, perform self-diagnosis to make sure that no malfunction is detected. Refer to [SRS-27, "SRS Operation Check \(USER MODE\)"](#).

SIDE AIR BAG (SATELLITE) SENSOR

SIDE AIR BAG (SATELLITE) SENSOR

PFP:98830

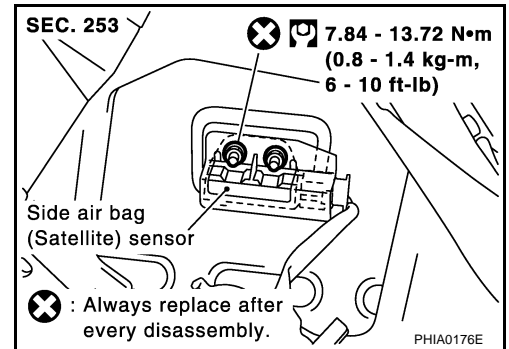
Removal and Installation

NHS0000Y

REMOVAL

CAUTION:

- Before servicing SRS, turn the ignition switch off, disconnect both battery cables and wait at least 3 minutes.
 - Do not use air tools or electric tools for servicing.
1. Remove seat belt pre-tensioner. Refer to [SB-4, "Removal and Installation of Seat Belt \(Coupe\)"](#) or [SB-6, "Removal and Installation of Seat Belt \(Roadster\)"](#).
 2. Remove side air bag (Satellite) sensor fixing nuts.
 3. Remove the side air bag (Satellite) sensor connector.



CAUTION:

- Do not use old nuts; replace with new ones.
- Check side air bag (Satellite) sensor to ensure it is free of deformities, dents, cracks or rust. If it shows any visible signs of damage, replace it with new one.
- Do not attempt to disassemble side air bag (Satellite) sensor.
- Replace side air bag (Satellite) sensor if it has been dropped or sustained an impact.

INSTALLATION

Install in the reverse order of removal.

CAUTION:

- Check side air bag (Satellite) sensor for proper installation.
- After replacement of side air bag (Satellite) sensor, perform self-diagnosis to make sure that no malfunction is detected. Refer to [SRS-27, "SRS Operation Check \(USER MODE\)"](#).

FRONT SEAT BELT PRE-TENSIONER

FRONT SEAT BELT PRE-TENSIONER

PFP:86884

Removal and Installation

NHS000Z

For removal and installation procedures, refer to [SB-4, "Removal and Installation of Seat Belt \(Coupe\)"](#) or [SB-6, "Removal and Installation of Seat Belt \(Roadster\)"](#) .

DIAGNOSIS SENSOR UNIT

PFP:28556

NHS00010

DIAGNOSIS SENSOR UNIT

Removal and Installation

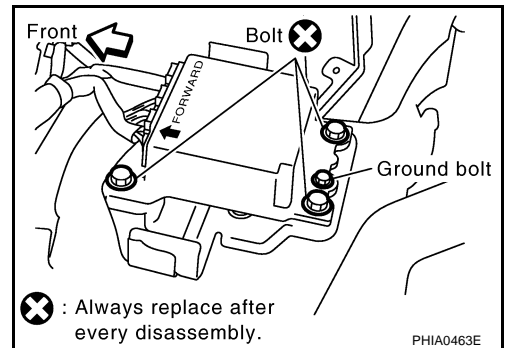
REMOVAL

CAUTION:

- Before servicing SRS, turn the ignition switch off, disconnect both battery cables and wait at least 3 minutes.
 - Do not use air tools or electric tools for servicing.
1. Disconnect each harness connector for the air bag module and seat belt pre-tensioner.
 2. Remove center console. Refer to [IP-11, "Removal and Installation"](#).
 3. Disconnect diagnosis sensor unit connector.
 4. Remove fixing bolts from the diagnosis sensor unit.

Hex bolt:  24.5 N·m (2.5 kg·m, 18 ft·lb)

Ground bolt:  6.9 N·m (0.7 kg·m, 61 in·lb)



CAUTION:

- Do not use old bolts. Replace with new ones.
- Check diagnosis sensor unit bracket to ensure it is free of deformities, dents, cracks or rust. If it shows any visible signs of damage, replace with new one.
- Replace diagnosis sensor unit if it has been dropped or sustained an impact.

INSTALLATION

Install in the reverse order of removal.

CAUTION:

- Check the diagnosis sensor unit for proper installation.
- After replacement of diagnosis sensor unit, perform self-diagnosis to make sure that no malfunction is detected. Refer to [SRS-27, "SRS Operation Check \(USER MODE\)"](#).

ECU DISCRIMINATED NO.

After replacing the diagnosis sensor unit, make sure that the diagnosis sensor unit identification is correct for the vehicle as equipped.

Model	Specification	ECU DISCRIMINATED No.
Coupe	Models with driver and passenger air bags and seat belt pre-tensioner	FAE6
	Models with driver and passenger air bags, seat belt pre-tensioner, side air bags and curtain air bags	FAE4
Roadster	Models with driver and passenger air bags and seat belt pre-tensioner	FAE7
	Models with driver and passenger air bags, seat belt pre-tensioner and side air bags	FAE5

OCCUPANT CLASSIFICATION SYSTEM CONTROL UNIT

OCCUPANT CLASSIFICATION SYSTEM CONTROL UNIT

PFP:98852

Removal and Installation

NHS000A7

The occupant classification system control unit, seat pressure sensor, and bladder are an integral part of the front passenger seat cushion and are replaced as an assembly. Refer to [SE-67, "Removal and Installation"](#) .

COLLISION DIAGNOSIS

For Frontal Collision

NHS00011

To repair the SRS, perform the following steps.

When SRS (except the front side air bag and side curtain air bag modules) is activated in a collision:

1. Replace the diagnosis sensor unit.
2. Remove the air bag modules (except the front side air bag modules and side curtain air bag modules), crash zone sensor assembly, bracket and seat belt pre-tensioner assemblies.
3. Check the SRS components using the table below:
 - Replace any SRS components showing visible signs of damage (dents, cracks and deformation).
4. Install new air bag modules (except the front side air bag modules and side curtain air bag modules) crash zone sensor assembly, bracket and seat belt pre-tensioner assemblies.
5. Perform self-diagnosis using CONSULT-III or "AIR BAG" warning lamp. Refer to [SRS-27, "SRS Operation Check \(USER MODE\)"](#) for details. Ensure entire SRS operates properly.

When SRS is not activated in a collision:

1. Check the SRS components using the table below:
 - Replace any SRS components showing visible signs of damage (dents, cracks and deformation).
2. Perform self-diagnosis using CONSULT-III or "AIR BAG" warning lamp. Refer to [SRS-27, "SRS Operation Check \(USER MODE\)"](#) for details. Ensure entire SRS operates properly.

When only one front air bag module is activated in a collision:

1. Replace the following components:
 - Diagnosis sensor unit
 - Crash zone sensor
 - Activated front air bag and seat belt pre-tensioner.
2. Check the other SRS components using the table below. (Refer to "SRS is NOT activated".)
 - Replace any SRS components showing visible signs of damage (dents, cracks and deformation).
3. Perform self-diagnosis using CONSULT-III or "AIR BAG" warning lamp. Refer to [SRS-27, "SRS Operation Check \(USER MODE\)"](#) for details. Ensure entire SRS operates properly.

Only one front air bag may inflate a crash, depending on the crash severity and whether the front occupants are belted or unbelted. This does not indicate improper performance of the system. Perform self-diagnosis to make sure the entire SRS operates properly.

SRS INSPECTION (FOR FRONTAL COLLISION)

Part	SRS is activated	SRS is NOT activated
Driver airbag module	If the Driver airbag has deployed: REPLACE. Install with new fasteners.	If the Driver air bag has NOT been activated: [same text as in current manual]
Passenger front airbag module	If the Passenger front airbag has deployed: REPLACE. Install with new fasteners.	If the Passenger front air bag has NOT been activated: [same text as in current manual]
Crash zone sensor	If any of the front airbags or seat belt pre-tensioners have been activated: REPLACE the crash zone sensor and bracket with new fasteners.	If the front airbags or seat belt pre-tensioners have NOT been activated: [same text as in current manual]
Seat belt pre-tensioner assemblies	If the driver or passenger Seat belt pre-tensioner has been activated: REPLACE the seat belt pre-tensioner assemblies with new fasteners.	If the pre-tensioners have NOT been activated: [same text as in current manual]
Diagnosis sensor unit	If any of the SRS components have been activated: REPLACE the Diagnosis sensor unit. Install with new fasteners.	If none of the SRS components have been activated: [same text as in current manual]

COLLISION DIAGNOSIS

Part	SRS is activated	SRS is NOT activated
Steering wheel	[same text as in current manual]	
Spiral cable	If the Driver airbag has deployed: REPLACE the spiral cable.	If the Driver airbag has not deployed: [same text as in current manual]
Harness and connectors	<ol style="list-style-type: none"> 1. Check connectors for poor connection, damage, and terminals for deformities. 2. Check harness for binding, chafing, cuts, or deformities. 3. If no damage is found, reinstall the harness and connectors. 4. If damaged—REPLACE damaged section of harness. Do not repair, splice or modify any SRS harness. 	
Instrument panel	<ol style="list-style-type: none"> 1. Visually check instrument panel for damage. 2. If no damage is found, reinstall the instrument panel. 3. If damaged—REPLACE the instrument panel with bolts. 	

COLLISION DIAGNOSIS

NHS00012

For Side Collision

WHEN THE SIDE AIR BAG IS ACTIVATED IN THE SIDE COLLISION:

1. Replace the following components:
 - All parts of front seatback (including front seatback frame) with front side air bag module (on the side on which front side air bag is activated)
 - Curtain air bag module (on the side on which side curtain air bag is activated)
 - Diagnosis sensor unit
 - Satellite sensor (on the side on which side air bag and side curtain air bag is activated)
2. Check the SRS components and the related parts using the following table.
 - Replace any SRS components and the related parts showing visible signs of damage (dents, cracks, deformation).
3. Perform self-diagnosis using CONSULT-III or "AIR BAG" warning lamp. Refer to [SRS-27, "SRS Operation Check \(USER MODE\)"](#) . Ensure entire SRS operates properly.

WHEN SRS IS NOT ACTIVATED IN THE SIDE COLLISION:

1. Check the SRS components and the related parts using the following table.
 - Replace any SRS components and the related parts showing visible signs of damage (dents, cracks, deformation).
2. Perform self-diagnosis using CONSULT-III or "AIR BAG" warning lamp. Refer to [SRS-27, "SRS Operation Check \(USER MODE\)"](#) . Ensure entire SRS operates properly.

SRS INSPECTION (FOR SIDE COLLISION)

Part	Front side air bag and side curtain air bag is activated	Front side air bag and side curtain air bag is NOT activated
(LH or RH) side curtain air bag module*	REPLACE the side curtain air bag module. (Repair the center pillar inner, etc. before installing new one if damaged.)	<ol style="list-style-type: none"> 1. Check for visible signs of damage (dents, tears, deformation) of the center pillar on the collision side. 2. If damaged— Remove the side curtain air bag module. 3. Check for visible signs of damaged (tears etc.) of the side curtain air bag module. 4. Check harness and connectors for damage, and terminals for deformities. 5. If no damage is found, reinstall the side curtain air bag module with new bolts. 6. If damaged—REPLACE the side curtain air bag module with new bolts.
Front (LH or RH) side air bag module	REPLACE all parts of seatback with deployed front side air bag module.	<ol style="list-style-type: none"> 1. Check for visible signs of damage (dents, tears, deformation) of the seat back on the collision side. 2. Check harness and connectors for damage, and terminals for deformities. 3. If no damage is found, reinstall the front seatback assembly. 4. If damaged—REPLACE the front seatback assembly.
(LH or RH) side air bag (Satellite) sensor	REPLACE the side air bag (Satellite) sensor on the collision side with new nuts. (Repair the center pillar inner, etc. before installing new one if damaged.)	<ol style="list-style-type: none"> 1. Remove the side air bag (Satellite) sensor on the collision side. Check harness connectors for damage, terminals for deformities, and harness for binding. 2. Check for visible signs of damage (dents, cracks, deformation) of the side air bag (Satellite) sensor. 3. Install the side air bag (Satellite) sensor to check fit. 4. If no damage is found, reinstall the side sir bag (Satellite) sensor with new nuts. 5. If damaged—REPLACE the side air bag (Satellite) sensor with new nuts.
Diagnosis sensor unit	REPLACE the diagnosis sensor unit with the new bolts.	<ol style="list-style-type: none"> 1. Check case and bracket for dents, cracks or deformities. 2. Check connectors for damage, and terminals for deformities. 3. If no damage is found, reinstall the diagnosis sensor unit with new bolts and ground bolt. 4. If damaged—REPLACE the diagnosis sensor unit with new bolts and ground bolt.

A
B
C
D
E
F
G

SRS

I
J
K
L
M

COLLISION DIAGNOSIS

Part	Front side air bag and side curtain air bag is activated	Front side air bag and side curtain air bag is NOT activated
Seat belt pre-tensioner assembly	<ol style="list-style-type: none"> 1. Check if the seat belt can be extended smoothly. If the seat belt cannot be extended smoothly, <ul style="list-style-type: none"> – Check for deformities of the center pillar inner. – If the center pillar inner has no damage, REPLACE the seat belt pre-tensioner assembly. 2. Remove the seat belt pre-tensioner assembly on the collision side. Check harness cover and connectors for damage, terminals for deformities, and harness for binding. 3. Check for visible signs of damage (dents, cracks, deformation) of the seat belt pre-tensioner assembly. 4. Check seat belt adjuster for damage. 5. If no damage is found, reinstall the seat belt pre-tensioner assembly. 6. If damaged—REPLACE the seat belt pre-tensioner assembly with new bolts. 	
Seat with front side air bag	REPLACE all parts of front seatback (including front seatback frame)	<ol style="list-style-type: none"> 1. Visually check the seat on the collision side. 2. Remove the seat on the collision side and check the following for damage and deformities. <ul style="list-style-type: none"> – Harness, connectors and terminals – Frame and recliner (for front and rear seat), and also adjuster and slides (for front seat) 3. If no damage is found, reinstall the seat. 4. If damaged—REPLACE the damaged seat parts using new bolts.
Center inner pillar	<ol style="list-style-type: none"> 1. Check the center inner pillar on the collision side for damage (dents, cracks, deformation). 2. If damaged—REPAIR the center inner pillar. 	
Trim/headlining*	<ol style="list-style-type: none"> 1. Check for visible signs of damage (dents, cracks, deformation) of the interior trim on the collision side. 2. If damaged—REPLACE the damaged trim parts. 	

*: For coupe