

SECTION **BT**

GI
MA
EM
LC
EC
FE
CL
MT
AT
FA
RA
BR
ST
RS
BT
HA
EL
IDX

CONTENTS

<p>GENERAL SERVICING 2</p> <p style="padding-left: 20px;">Precautions 2</p> <p style="padding-left: 20px;">Supplemental Restraint System (SRS) "AIR BAG" 2</p> <p style="padding-left: 20px;">Clip and Fastener 3</p> <p>BODY END 6</p> <p style="padding-left: 20px;">Body Front End 6</p> <p style="padding-left: 40px;">Removal — Front bumper assembly 6</p> <p style="padding-left: 20px;">Body Rear End and Opener 8</p> <p style="padding-left: 40px;">Removal — Rear bumper assembly 8</p> <p>DOOR 10</p> <p style="padding-left: 20px;">Front Door 10</p> <p style="padding-left: 20px;">Rear Door 11</p> <p>INSTRUMENT PANEL 12</p> <p style="padding-left: 20px;">Removal — Instrument panel assembly 12</p> <p>INTERIOR TRIM 15</p> <p style="padding-left: 20px;">Side and Floor Trim 15</p> <p style="padding-left: 20px;">Door Trim 16</p> <p style="padding-left: 20px;">Roof Trim 18</p> <p style="padding-left: 20px;">Luggage Room Trim 19</p> <p>EXTERIOR 20</p> <p style="padding-left: 20px;">① Front hood insulator 21</p> <p style="padding-left: 20px;">② Cowl top grille and cowl top front sealing rubber 21</p> <p style="padding-left: 20px;">③ Front windshield molding 21</p> <p style="padding-left: 20px;">③ Windshield upper and side molding 22</p> <p style="padding-left: 20px;">④ Sunroof lid weatherstrip 22</p> <p style="padding-left: 20px;">⑤ Body side drip weatherstrip 22</p> <p style="padding-left: 20px;">⑥ Door weatherstrip 23</p> <p style="padding-left: 20px;">⑦ Body side welt 23</p> <p style="padding-left: 20px;">⑧ Door waist outside molding 23</p>	<p style="padding-left: 20px;">⑨ Front door corner cover 24</p> <p style="padding-left: 20px;">⑩ Rear windshield molding 24</p> <p style="padding-left: 20px;">⑪ Trunk lid weatherstrip 24</p> <p style="padding-left: 20px;">⑫ Rear combination lamp 25</p> <p style="padding-left: 20px;">⑬ Side guard molding 25</p> <p style="padding-left: 20px;">⑭ Fender and Center mudguard 26</p> <p style="padding-left: 20px;">⑮ Front door parting seal 27</p> <p>SEAT 28</p> <p style="padding-left: 20px;">Front Seat 28</p> <p style="padding-left: 20px;">Rear Seat 29</p> <p>SUNROOF 30</p> <p style="padding-left: 20px;">Removal 31</p> <p style="padding-left: 20px;">Adjustment 32</p> <p>WINDSHIELD AND WINDOWS 33</p> <p style="padding-left: 20px;">Removal 33</p> <p style="padding-left: 20px;">Installation 33</p> <p style="padding-left: 20px;">Windshield and Rear Window 34</p> <p style="padding-left: 20px;">Repairing Water Leaks For Windshield 34</p> <p style="padding-left: 20px;">Quarter Window 35</p> <p style="padding-left: 20px;">Removal 35</p> <p>MIRROR 36</p> <p style="padding-left: 20px;">Door Mirror 36</p> <p style="padding-left: 40px;">Removal And Installation 36</p> <p style="padding-left: 20px;">Rearview Mirror 37</p> <p style="padding-left: 40px;">Removal 37</p> <p style="padding-left: 40px;">Installation 37</p> <p>REAR AIR SPOILER 38</p> <p>BODY ALIGNMENT 39</p> <p style="padding-left: 20px;">Engine Compartment 39</p> <p style="padding-left: 20px;">Underbody 41</p>
---	--

Precautions

- When removing or installing various parts, place a cloth or padding on the vehicle body to prevent scratches.
- Handle trim, molding, instruments, grille, etc. carefully during removing or installation. Be careful not to soil or damage them.
- Apply sealing compound where necessary when installing parts.
- When applying sealing compound, be careful that the sealing compound does not protrude from parts.
- When replacing any metal parts (for example body outer panel, members, etc.), be sure to take rust prevention measures.



Supplemental Restraint System (SRS) "AIR BAG"

The Supplemental Restraint System "Air Bag", used along with a seat belt, helps to reduce the risk or severity of injury to the driver and front passenger in a frontal collision. The Supplemental Restraint System consists of air bag modules (located in the center of the steering wheel and on the instrument panel on the passenger side), a diagnosis sensor unit, warning lamp, wiring harness and spiral cable. Information necessary to service the system safely is included in the **RS** section of this Service Manual.



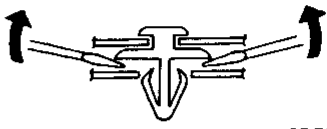

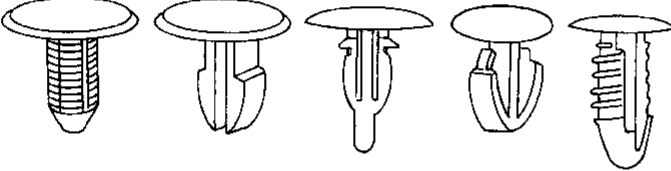
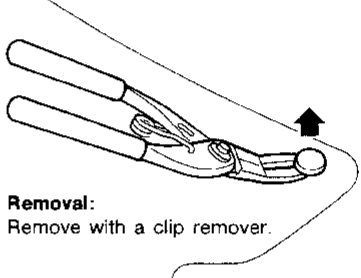

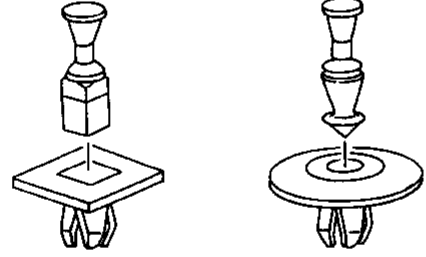
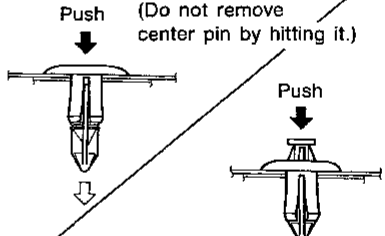
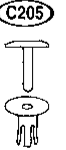
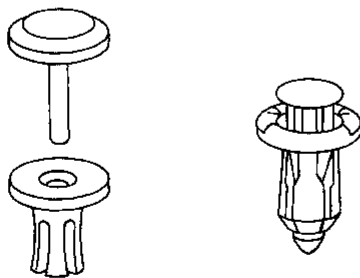
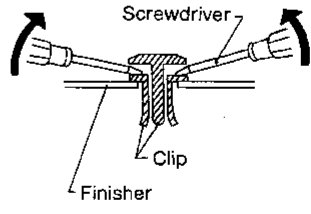

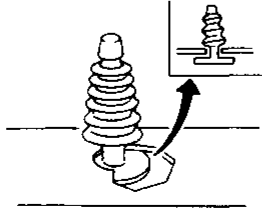
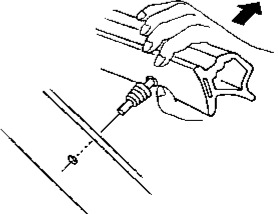
WARNING:

- To avoid rendering the SRS inoperative, which could increase the risk of personal injury or death in the event of a collision which would result in air bag inflation, all maintenance must be performed by an authorized NISSAN dealer.
- Improper maintenance, including incorrect removal and installation of the SRS, can lead to personal injury caused by unintentional activation of the system.
- Do not use electrical test equipment on any circuit related to the SRS unless instructed to in this Service Manual. SRS wiring harnesses are covered with yellow insulation either just before the harness connectors or for the complete harness, for easy identification.

GENERAL SERVICING

Clip and Fastener

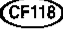

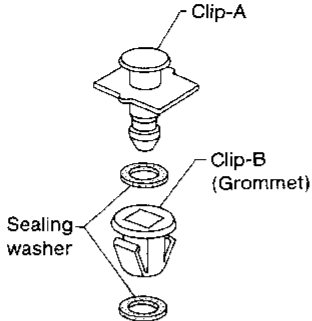
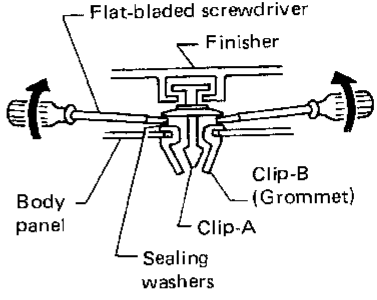
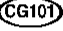

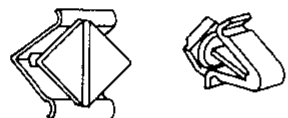

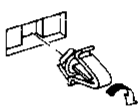

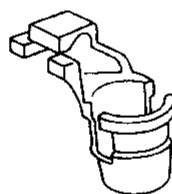
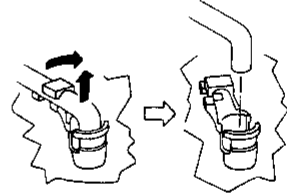


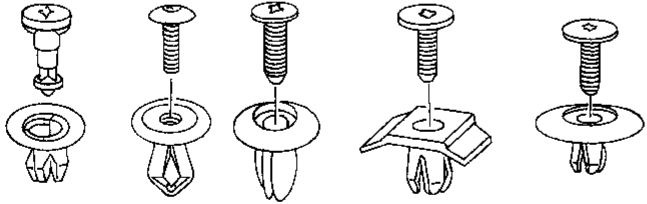

- Clips and fasteners in BT section correspond to the following numbers and symbols.
- Replace any clips and/or fasteners which are damaged during removal or installation.

Symbol No.	Shapes	Removal & Installation
	 <p style="text-align: right;">SBF256G</p>	<p>Removal: Remove by bending up with flat-bladed screwdrivers.</p>  <p style="text-align: right;">SBF367B</p>
	 <p style="text-align: right;">SBF303H</p>	 <p>Removal: Remove with a clip remover.</p> <p style="text-align: right;">SBF423H</p>
	 <p style="text-align: right;">SBF258G</p>	<p>Push center pin to catching position. (Do not remove center pin by hitting it.)</p>  <p>Installation:</p> <p style="text-align: right;">SBF708E</p>
	 <p style="text-align: right;">MBF518B</p>	<p>Removal:</p>  <p style="text-align: right;">SBF638B</p>
	 <p style="text-align: right;">SBF104B</p>	<p>Removal:</p>  <p style="text-align: right;">SBF147B</p>

GI
MA
EM
LC
EC
FE
CL
MT
AT
FA
RA
BR
ST
RS
BT
HA
EL
DX

GENERAL SERVICING

Clip and Fastener (Cont'd)

Symbol No.	Shapes	Removal & Installation
 		<p>Removal:</p>  <p style="text-align: right;">SBF259G</p>
 		<p>Removal:</p>  <p>Rotate 45° to remove.</p> <hr/> <p>Installation:</p>  <p style="text-align: right;">SBF085B</p>
		<p>Removal:</p> <p>Holder portion of clip must be spread out to remove rod.</p>  <p style="text-align: right;">SBF770B</p>
 		<p>Removal:</p> <p>Screw out with a Phillips screwdriver.</p>  <p>Remove female portion with flat-bladed screwdriver.</p> <p style="text-align: right;">ASBF140B</p>

GENERAL SERVICING

NOTES

GI

MA

EM

LC

EC

FE

CL

MT

AT

FA

RA

BR

ST

RS

BT

HA

EL

IDX

BODY END

Body Front End

- Bumper fascia: It is made of plastic. Do not use excessive force and keep oil away from it.
- Hood: When removing or installing hood, place a cloth or other padding on front fender panels and cowl top. This prevents vehicle body from being scratched.
- Hood adjustment: Adjust at hinge portion.
- Hood lock adjustment: After adjusting, check hood lock operation. Apply a coat of grease to engaging mechanism.
- Hood opener: Do not attempt to bend cable forcibly. This will increase the effort required to unlock hood.

REMOVAL — Front bumper assembly

- ① Remove four bolts securing left and right fog lamps and remove fog lamps.
- ② Remove clips (CG101), then remove the front grill.
- ③ Remove six screws and two clips (C203) securing left and right fender protectors to bumper fascia.
- ④ Remove six nuts securing left and right fenders to bumper fascia.
- ⑤ Remove screws and clips (C205) securing bumper fascia to bumper reinforcement.
- ⑥ Pull out front bumper fascia.
- ⑦ Remove two bolts securing bumper reinforcement, then remove bumper reinforcement and energy absorber.
- ⑧ Remove eight bolts securing front bumper side stays.
- ⑨ Remove front bumper side stays.

BODY END

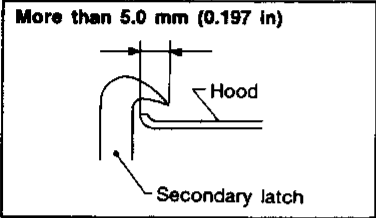
Body Front End (Cont'd)

SEC. 261-620-623-650

Hood lock adjustment

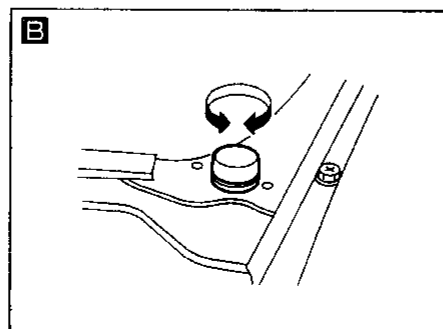
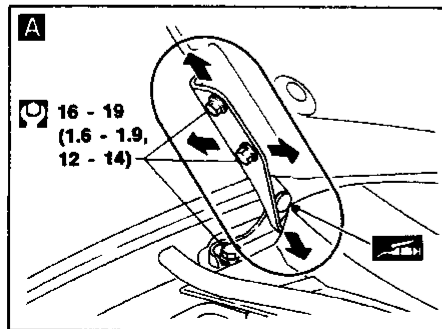
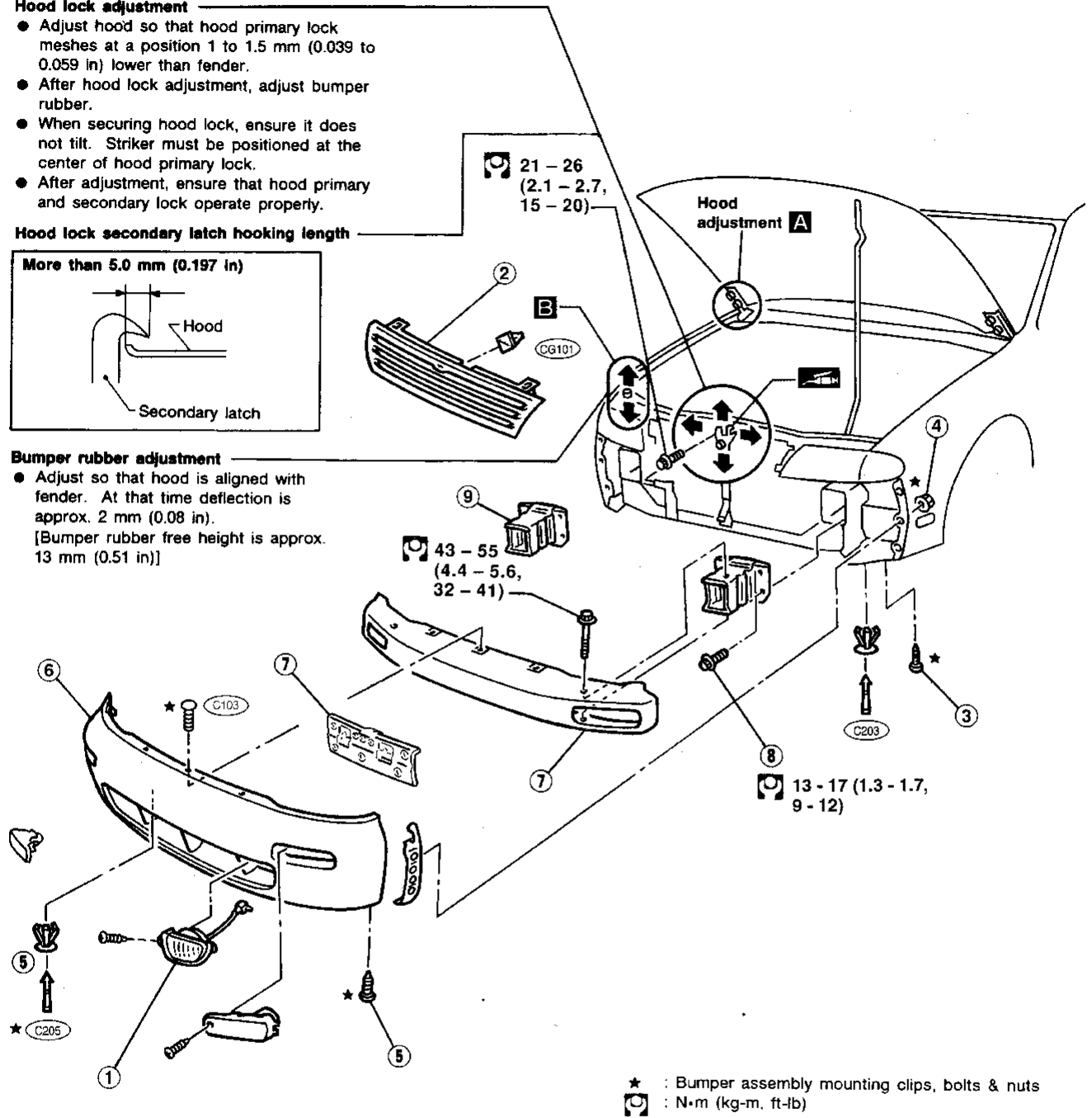
- Adjust hood so that hood primary lock meshes at a position 1 to 1.5 mm (0.039 to 0.059 in) lower than fender.
- After hood lock adjustment, adjust bumper rubber.
- When securing hood lock, ensure it does not tilt. Striker must be positioned at the center of hood primary lock.
- After adjustment, ensure that hood primary and secondary lock operate properly.

Hood lock secondary latch hooking length



Bumper rubber adjustment

- Adjust so that hood is aligned with fender. At that time deflection is approx. 2 mm (0.08 in).
- [Bumper rubber free height is approx. 13 mm (0.51 in)]



GI
MA
EM
LC
EC
FE
CL
MT
AT
FA
RA
BR
ST
RS
BT
HA
EL
IDX

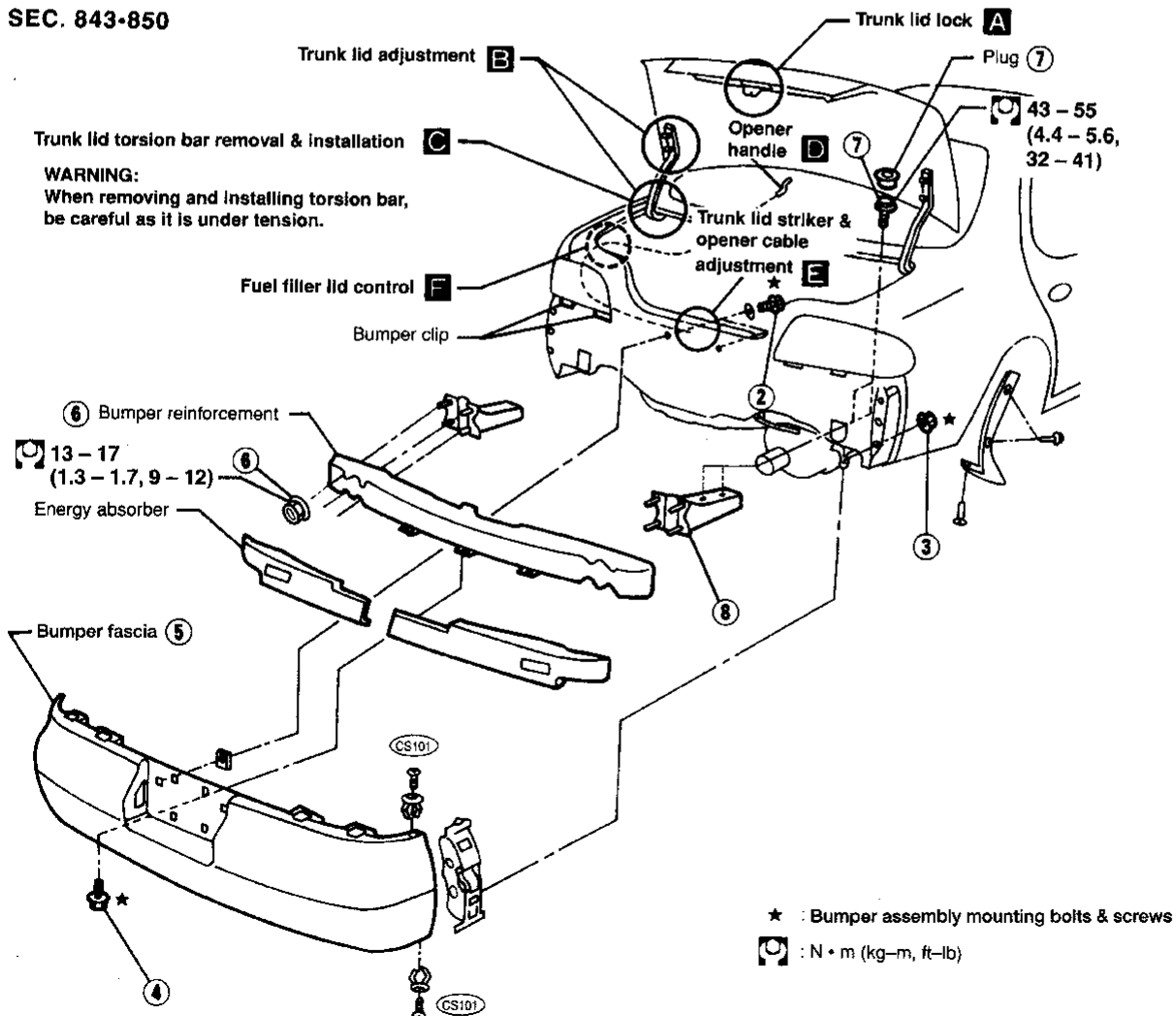
Body Rear End and Opener

- Trunk lid: When removing or installing trunk lid, place a cloth or other padding on rear fender panels. This prevents vehicle body from being scratched.
- Trunk lid adjustment: Adjust at hinge-trunk lid portion for proper trunk lid fit.
- Trunk lid lock system adjustment: Adjust striker so that it is in the center of the lock. After adjustment, check trunk lid lock operation.
- Opener cable: Do not attempt to bend cable forcibly.
- After installing/adjusting opener, make sure that trunk lid and fuel filler lid open.

REMOVAL — Rear bumper assembly

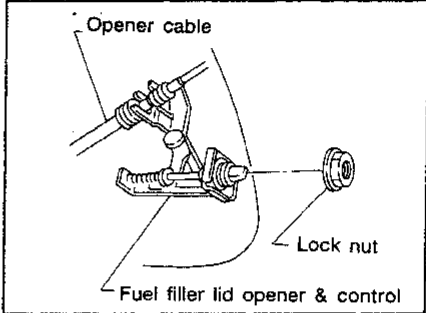
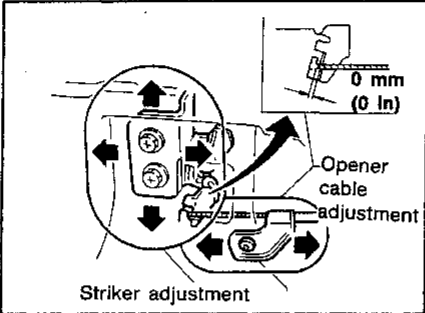
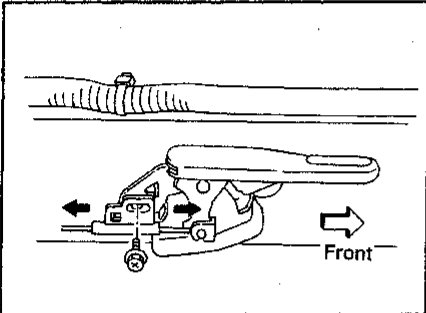
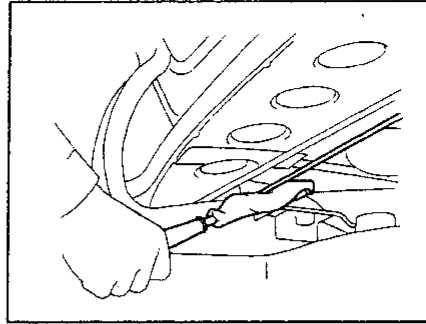
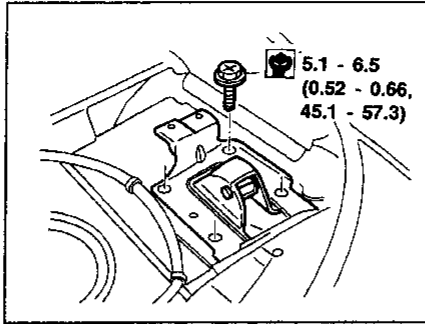
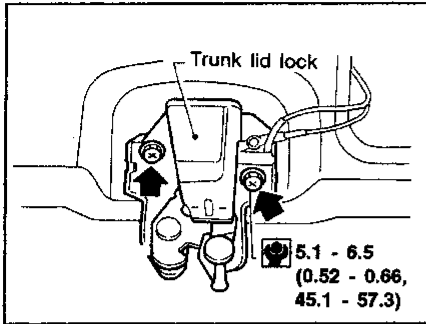
- ① Remove luggage room trim. Refer to BT-19.
- ② Remove two bolts from inside trunk room.
- ③ Working inside trunk, remove six nuts securing left and right rear fenders to bumper fascia.
- ④ Remove three screws securing rear bumper fascia to reinforcement.
- ⑤ Pull out rear bumper fascia.
- ⑥ Remove eight nuts securing rear bumper reinforcement to bumper side stays, then remove bumper reinforcement and energy absorber.
- ⑦ Working inside trunk, remove left and right plugs from floor, then remove four bolts securing bumper side stays.
- ⑧ Remove bumper side stays.

SEC. 843-850



BODY END

Body Rear End and Opener (Cont'd)



: N·m (kg-m, in-lb)

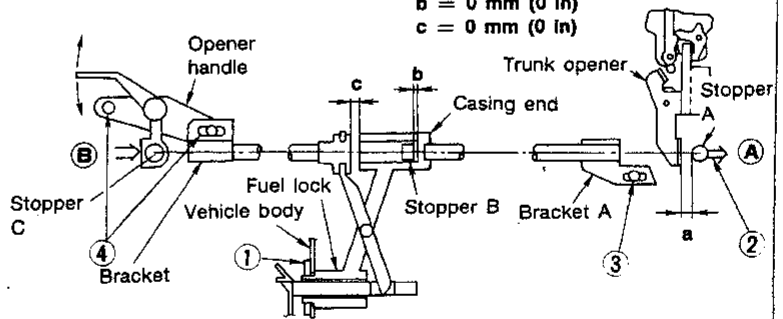
Trunk lid and fuel filler lid opener installation

Installation (Refer to figure below)

- ① Temporarily route cable and secure fuel lock to vehicle body.
- ② Lightly pull stopper A (at cable end) in direction **A** to eliminate clearance **b** between stopper B and casing end.
- ③ Secure bracket A to vehicle body so that clearance **a** between stopper A and trunk striker is 0 mm (0 in). (At this point, do not pull striker lever.)
- ④ Attach stopper C to handle. While lightly pushing cable in direction **B** shown by arrow (do not allow any clearance **c** at fuel lock casing end to occur), secure handle to vehicle body.

Ensure that clearances **a** and **b** are eliminated after installation.

a = 0 mm (0 in)
b = 0 mm (0 in)
c = 0 mm (0 in)



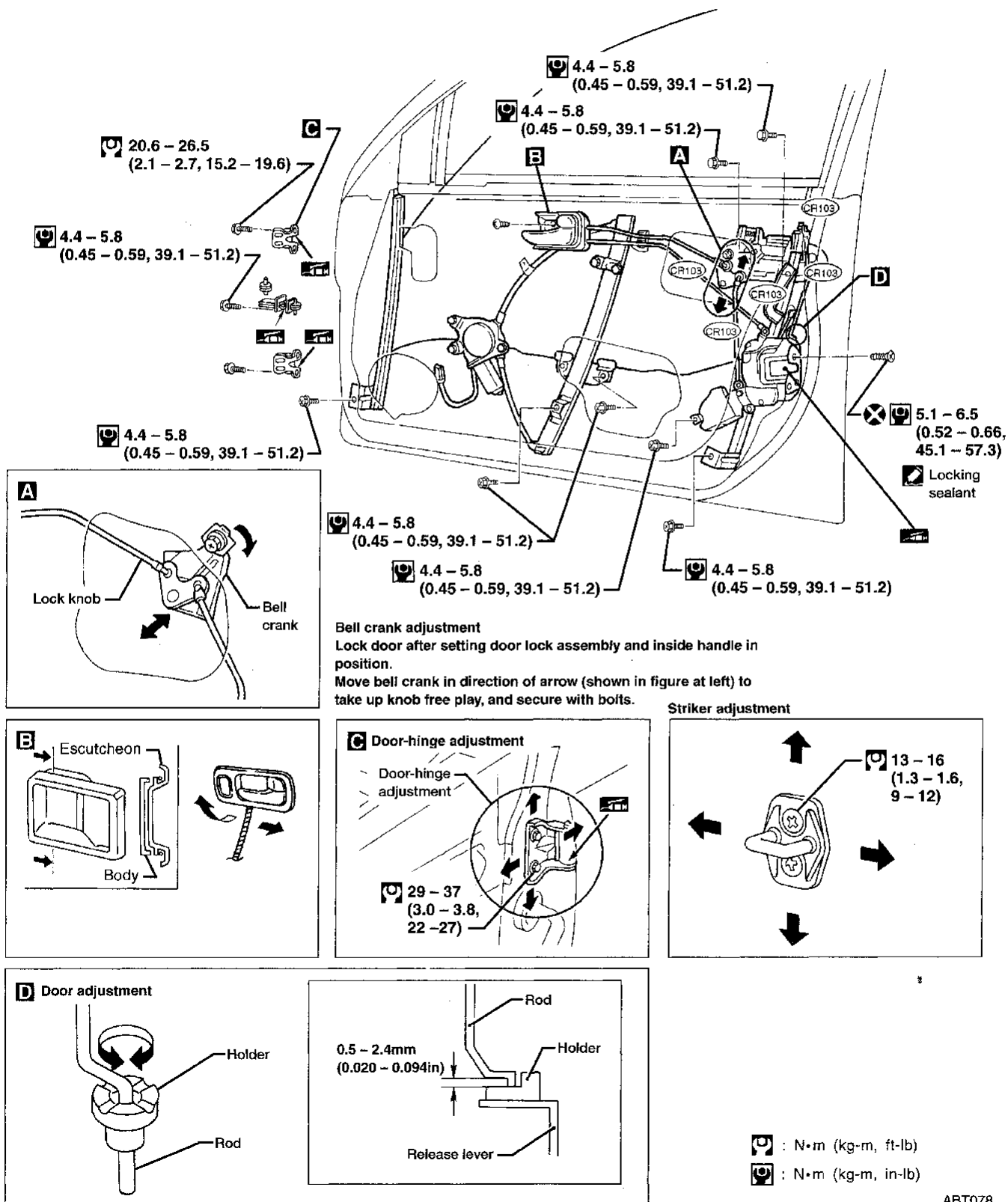
GI
 MA
 EM
 LC
 EC
 FE
 CL
 MT
 AT
 FA
 RA
 BR
 ST
 RS
BT
 HA
 EL
 IDX

DOOR

- For removal of door trim, refer to BT-16 ("Door Trim", "INTERIOR TRIM").
- When removing door, be sure not to scratch vehicle body.
- After adjusting door or door lock, check door lock operation.
- When disassembling rear door window, it is better to remove upper and waist roller mounting first.

Front Door

SEC. 800•803•805

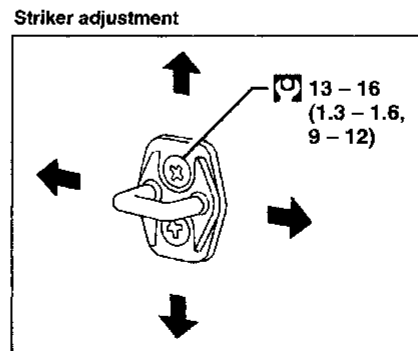
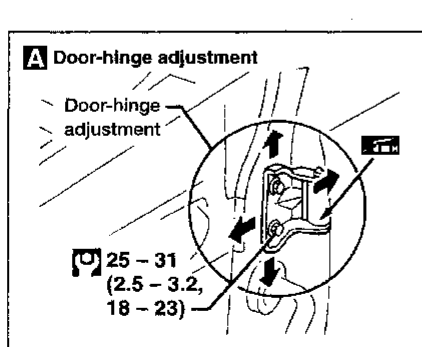
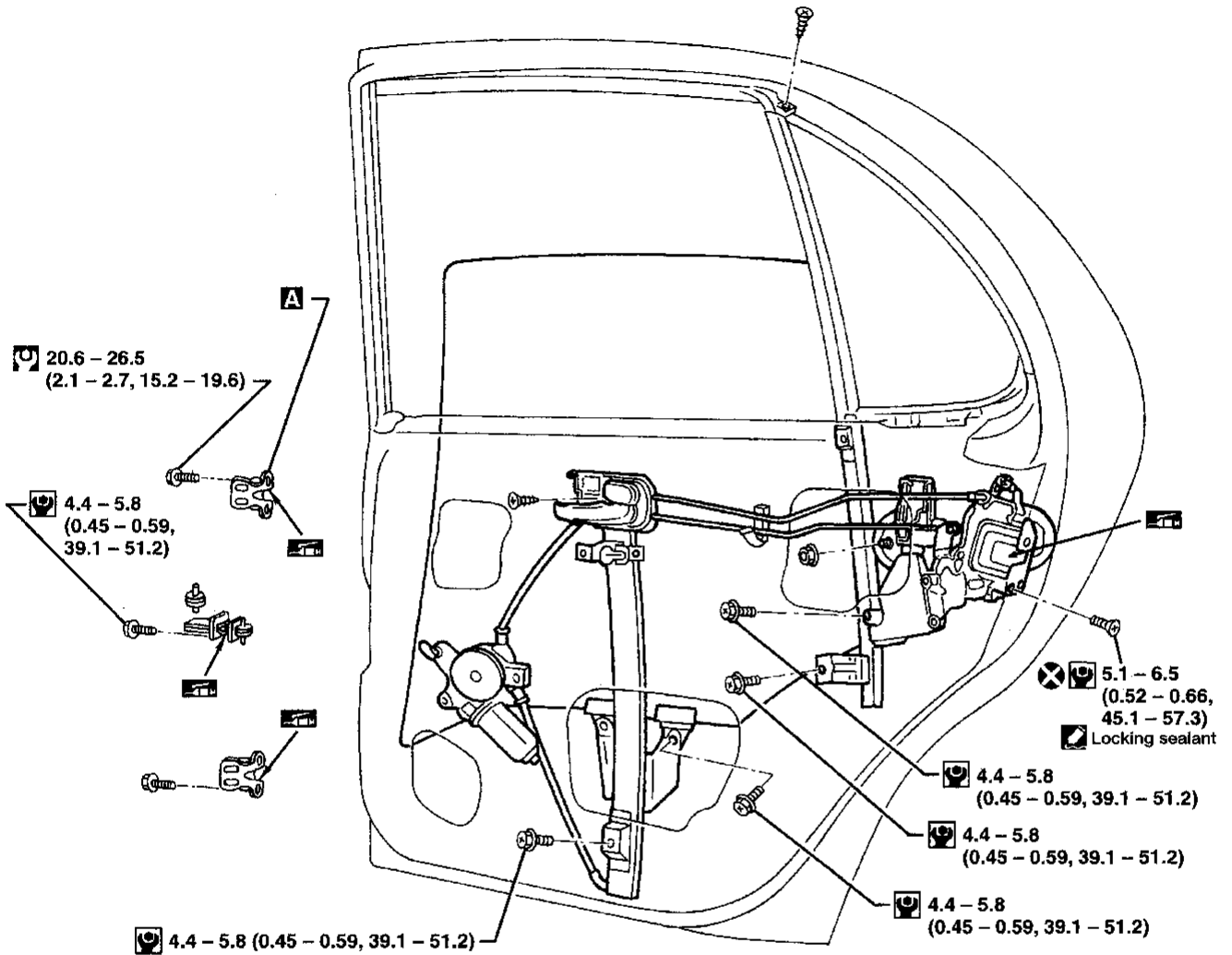


ABT078

DOOR

Rear Door

SEC. 820-823-825



: N-m (kg-m, ft-lb)

: N-m (kg-m, in-lb)

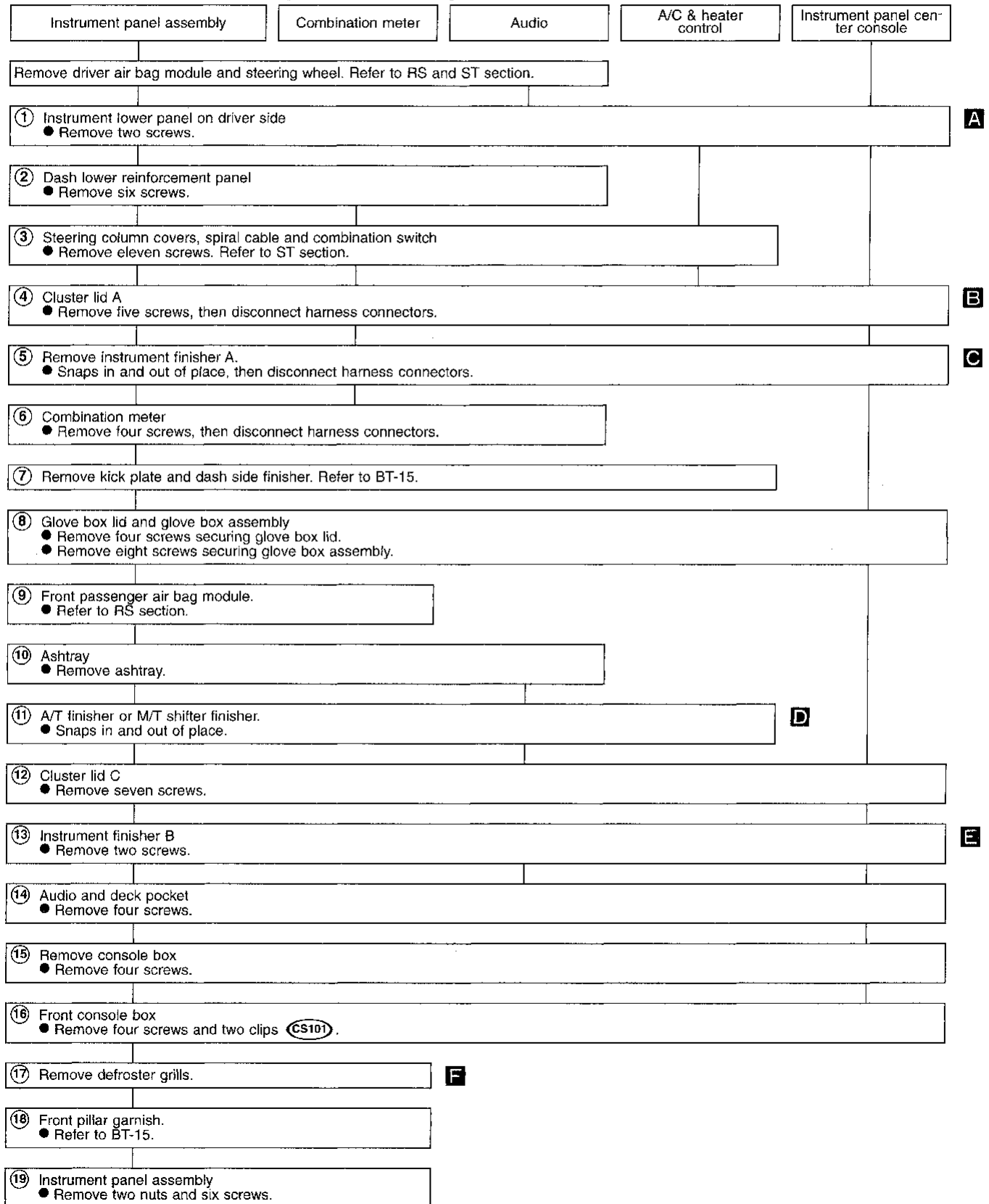
GI
MA
EM
LC
EC
FE
CL
MT
AT
FA
RA
BR
ST
RS
BT
HA
EL
IDX

INSTRUMENT PANEL

CAUTION:

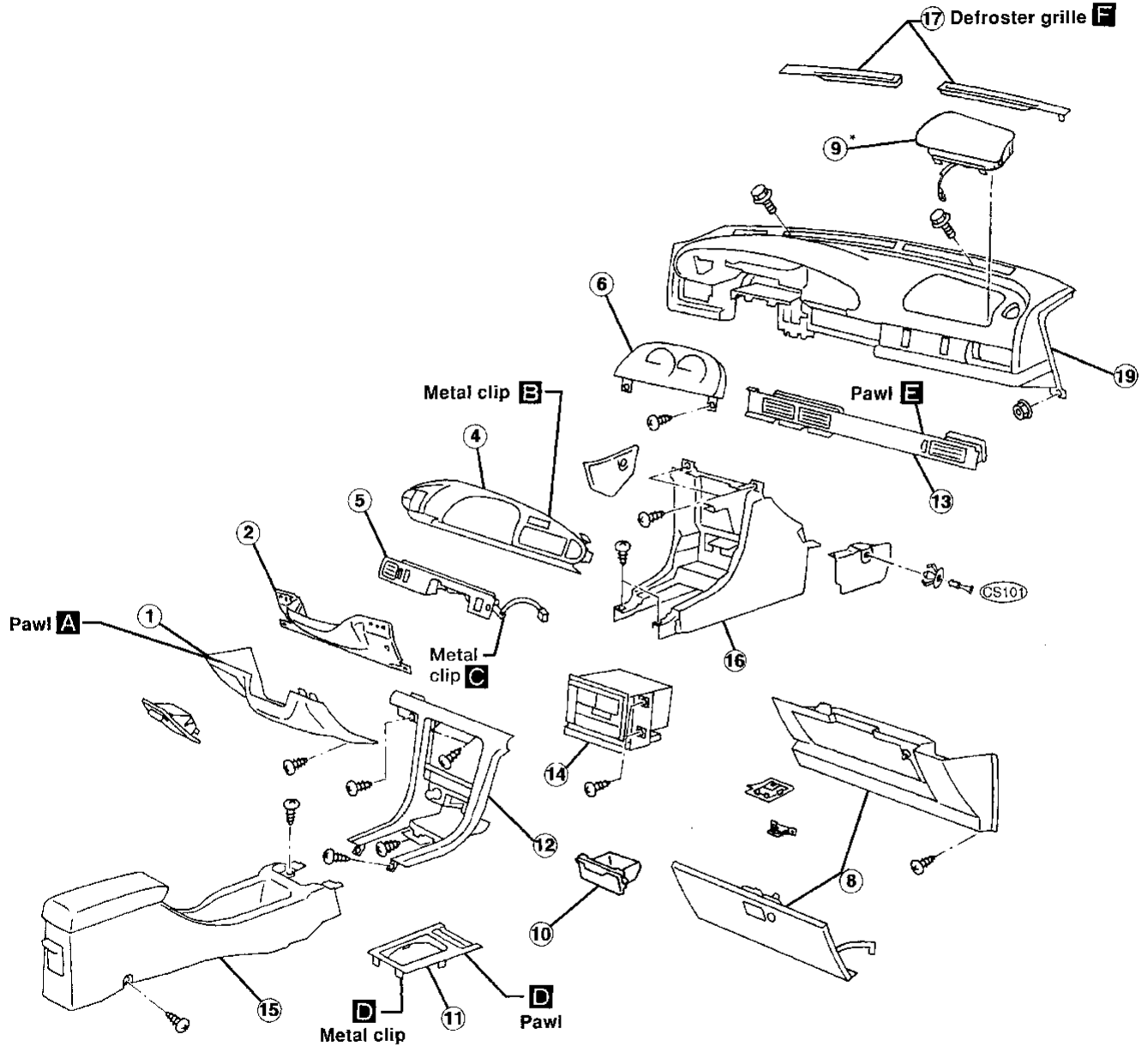
- Disconnect both terminals from battery in advance.
- Disconnect air bag module connectors in advance.
- Be careful not to scratch finishers and other parts.

REMOVAL — Instrument panel assembly



INSTRUMENT PANEL

SEC. 248 • 280 • 680 • 685 • 969



* After an air bag inflates, the front instrument panel assembly should be replaced.

GI

MA

EM

LC

EC

FE

CL

MT

AT

FA

RA

BR

ST

RS

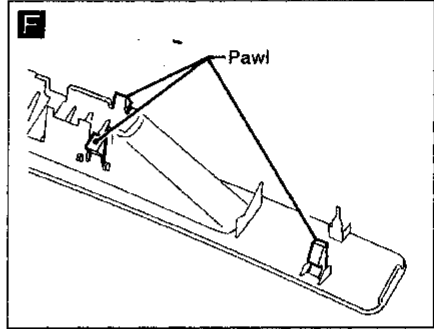
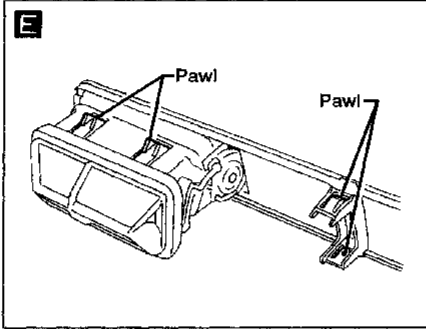
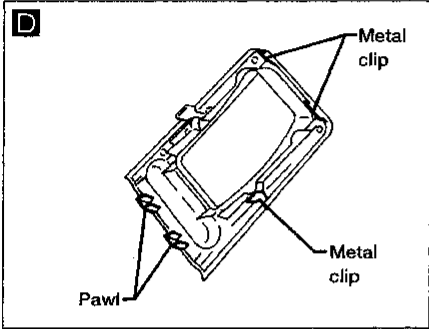
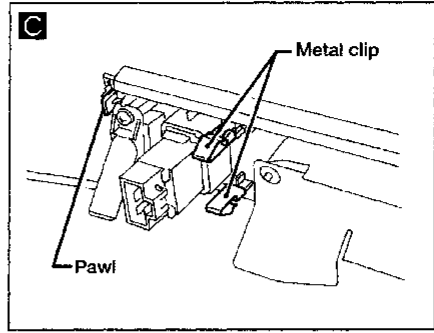
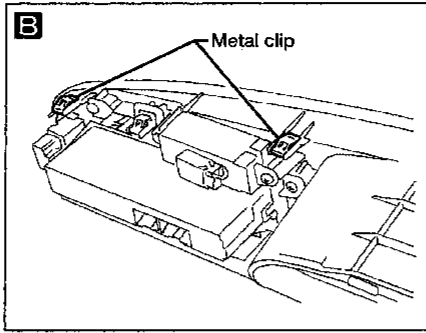
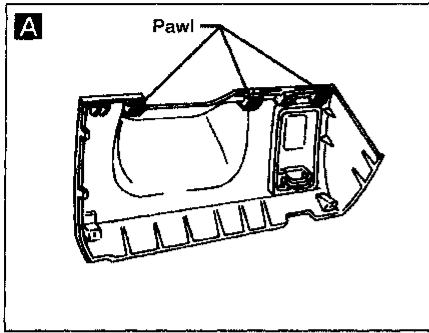
BT

HA

EL

DX

INSTRUMENT PANEL



ABT084

INTERIOR TRIM

Side and Floor Trim

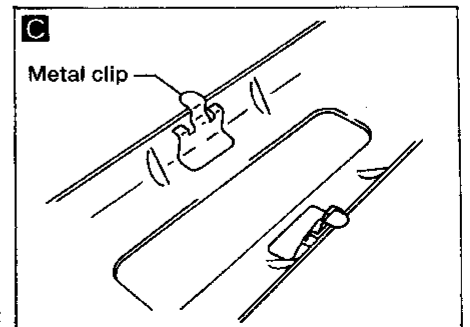
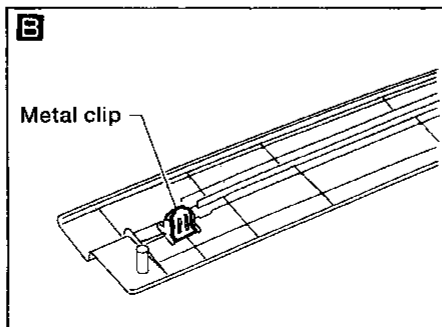
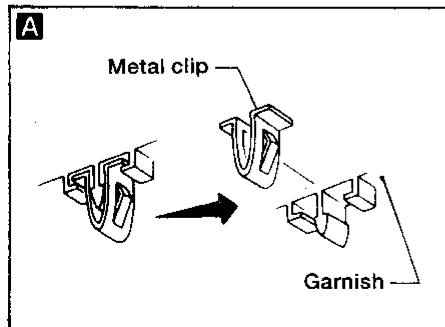
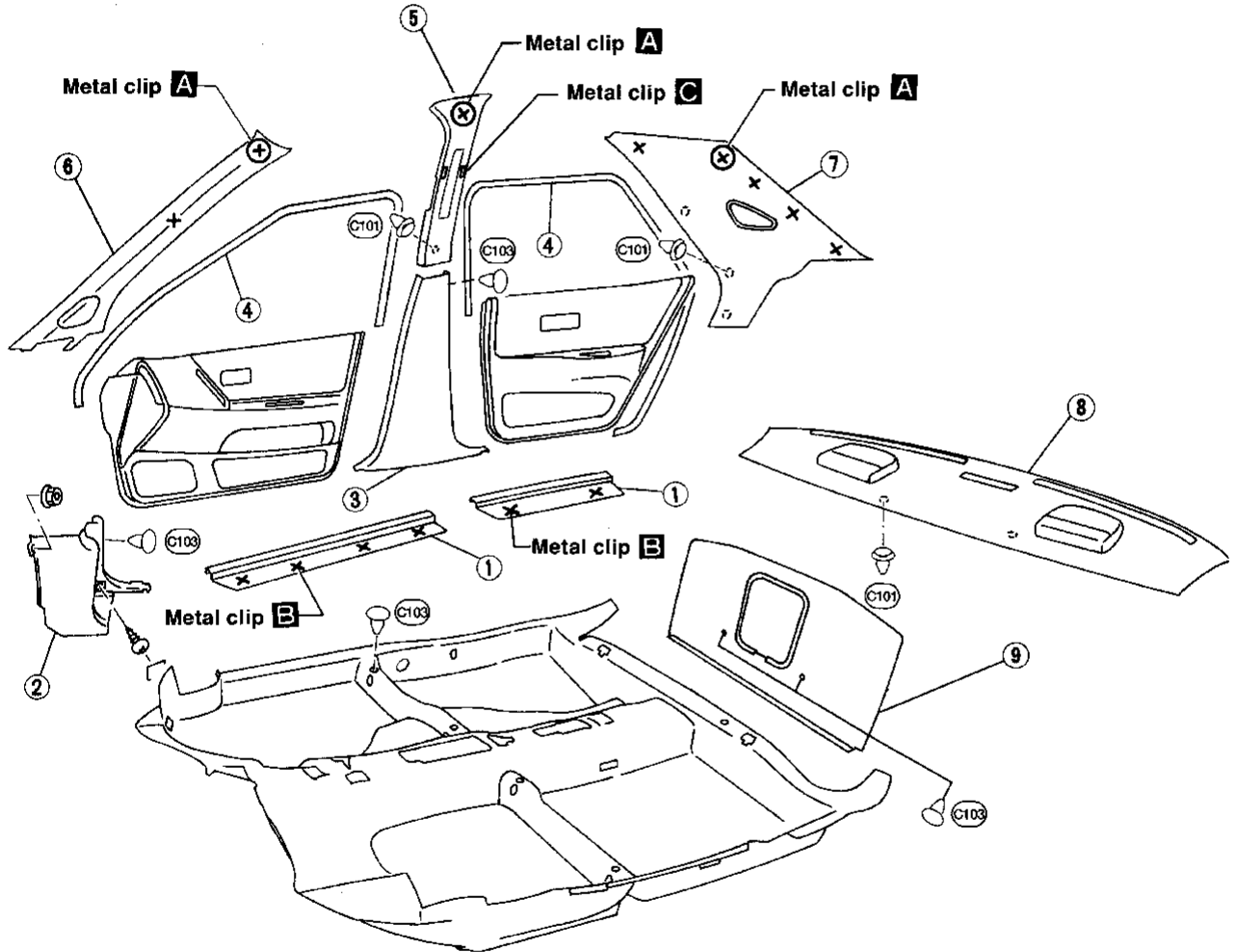
CAUTION:

Wrap the tip of flat-bladed screwdriver with a cloth when removing metal clips from garnishes.

REMOVAL — Body side trim

- ① Remove front and rear kick plates.
- ② Remove dash side finisher.
- ③ Remove center pillar lower garnish.
- ④ Remove front and rear body side welts.
- ⑤ Remove center pillar upper garnish.
- ⑥ Remove front pillar garnish.
- ⑦ Remove rear pillar garnish.
- ⑧ Remove rear parcel shelf.
- ⑨ Remove rear seat back finisher.

SEC. 284 • 678 • 749 • 769 • 799 • 809 • 828



ABT080

GI
MA
EM
LC
EC
FE
CL
MT
AT
FA
RA
BR
ST
RS
BT
HA
EL
IDX

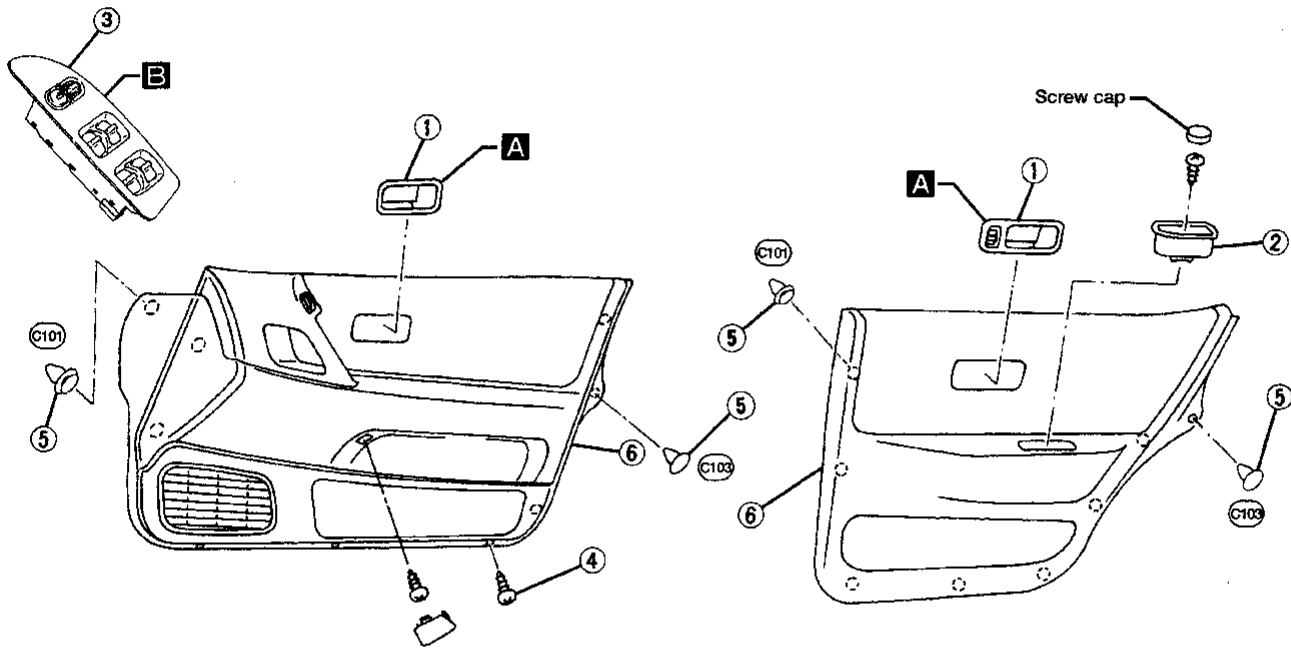
INTERIOR TRIM

Door Trim

DOOR TRIM REMOVAL — Door trim

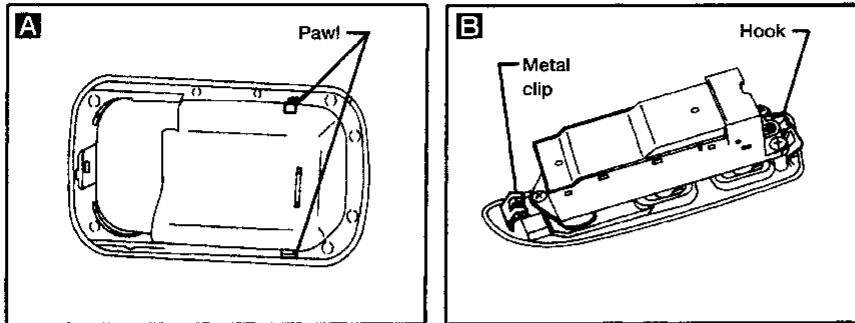
- ① Remove inside handle escutcheon. Refer to BT-10.
- ② Remove pull handle (rear door and driver door only).
- ③ Remove power window switch finisher (driver door only).
- ④ Remove screws.
- ⑤ Remove clips securing door finisher.
- ⑥ Lift out door finisher. Disconnect main and door harnesses.

SEC. 805•809•825•828



INTERIOR TRIM

Door Trim (Cont'd)



C Manual window regulator handle

Removal

① Push
Wrap miniature flat-bladed screwdriver with tape

②

Push the regulator handle clip with a screwdriver being careful not to scratch handle or door trim. Then remove the regulator handle from the regulator shaft.

Installation

Before installing, the regulator handle clip as shown in figure ①.

45° Front

Push the regulator handle onto the regulator shaft. Install the regulator handle in place as shown in the figure with the window completely closed.

GI
MA
EM
LC
EC
FE
CL
MT
AT
FA
RA
BR
ST
RS
BT
HA
EL
IDX

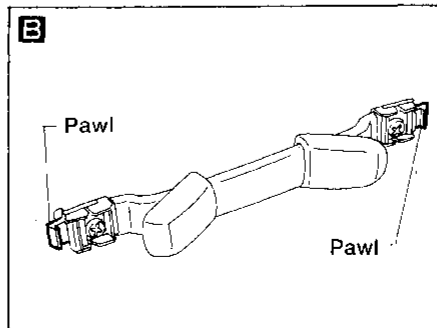
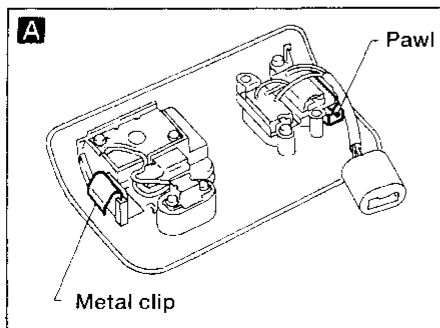
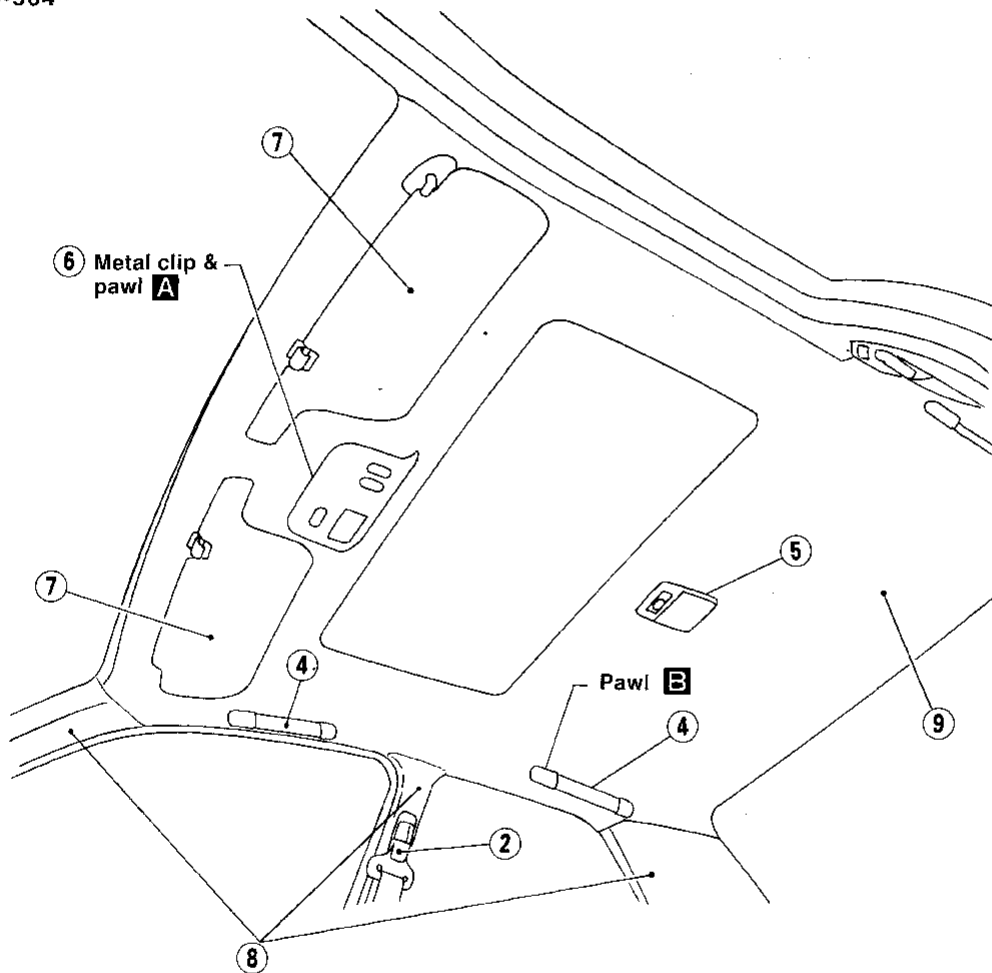
INTERIOR TRIM

Roof Trim

REMOVAL — Headlining

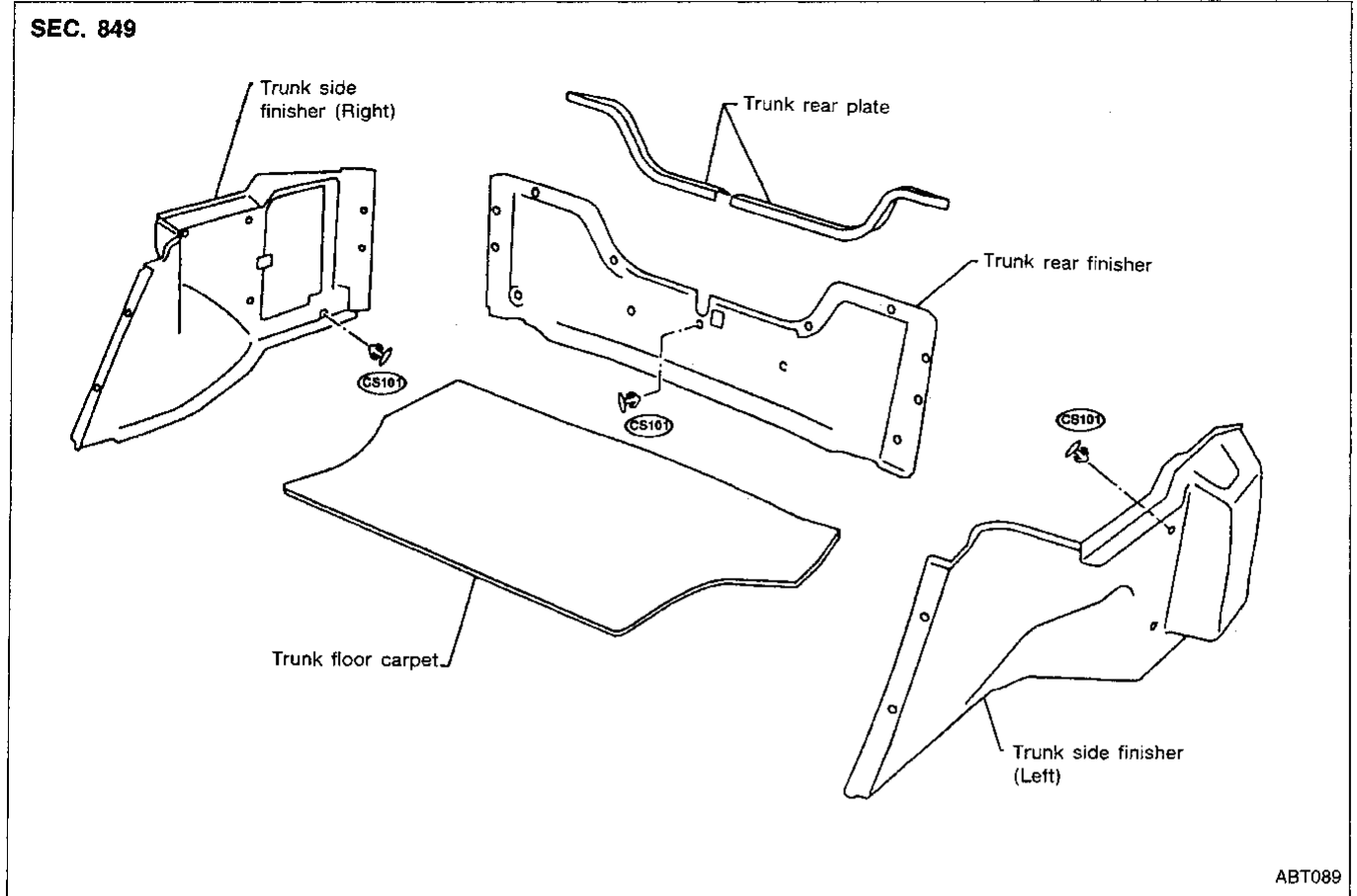
- ① Remove rear seat.
- ② Remove front seat belts.
- ③ Remove front and rear kick plates, center pillar lower garnish, and body side welts. Refer to BT-15.
- ④ Remove assist grips (Models equipped with sunroof) or coathooks.
- ⑤ Remove interior lamp.
- ⑥ Remove sunroof switch. (Models equipped with sunroof)
- ⑦ Remove sunvisors.
- ⑧ Remove front, center upper and rear pillar garnishes. Refer to BT-15.
- ⑨ Remove headlining.

SEC. 264•738•964



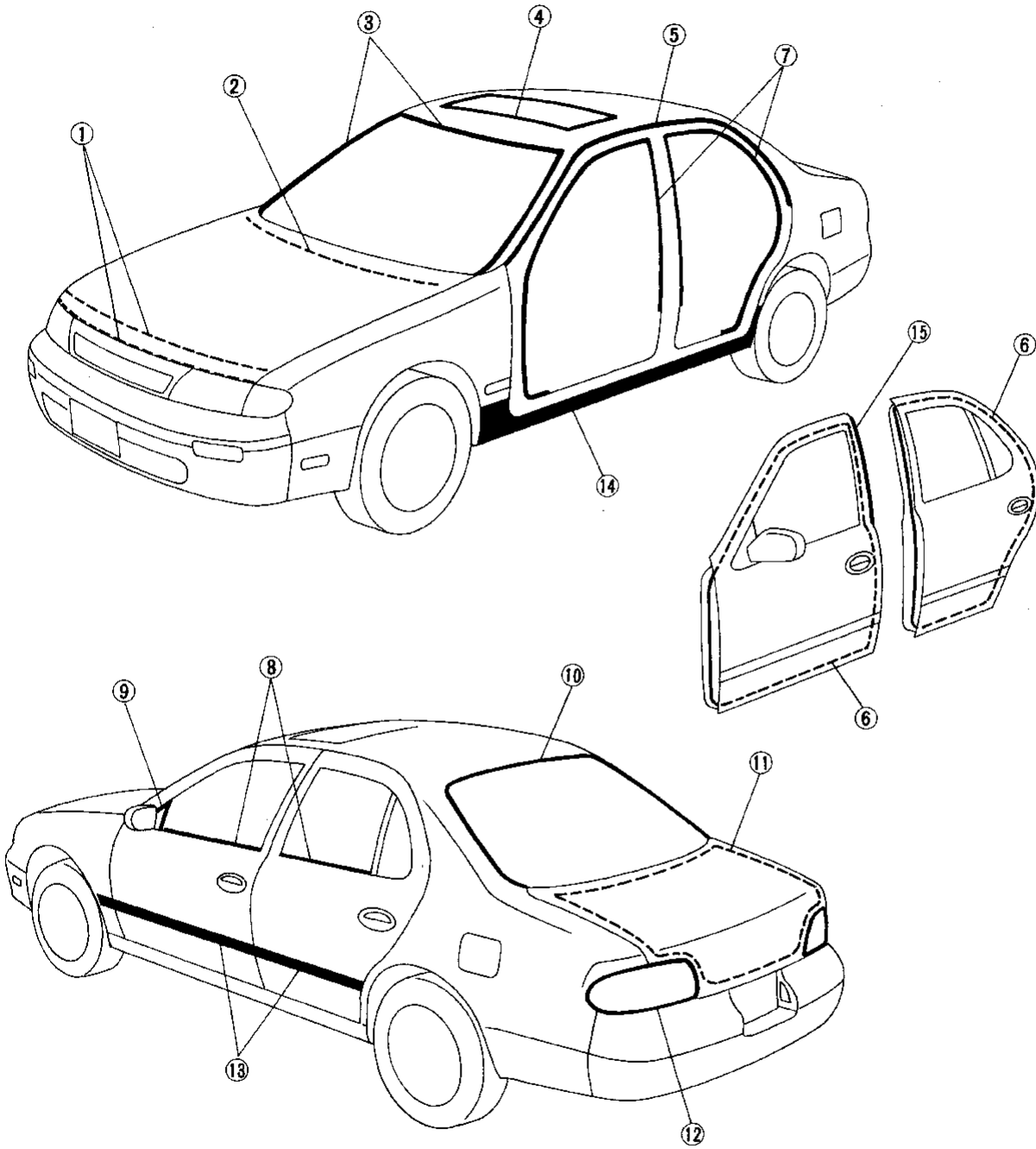
INTERIOR TRIM

Luggage Room Trim



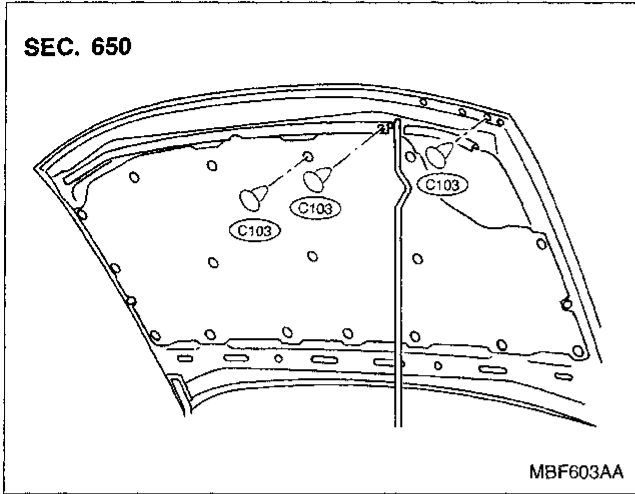
GI
MA
EM
LC
EC
FE
CL
MT
AT
FA
RA
BR
ST
RS
BT
HA
EL
IDX

EXTERIOR

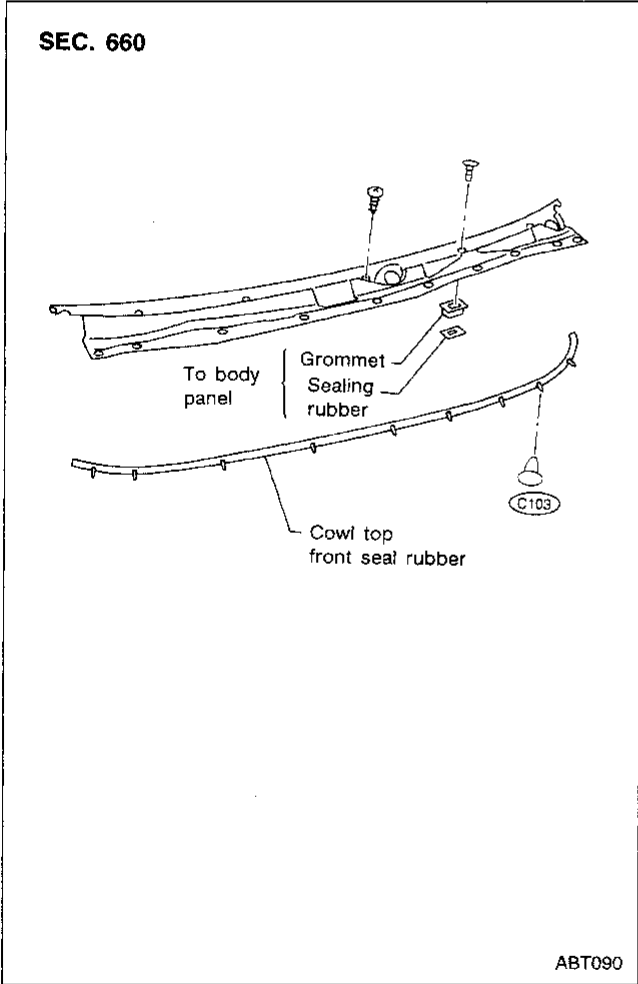


EXTERIOR

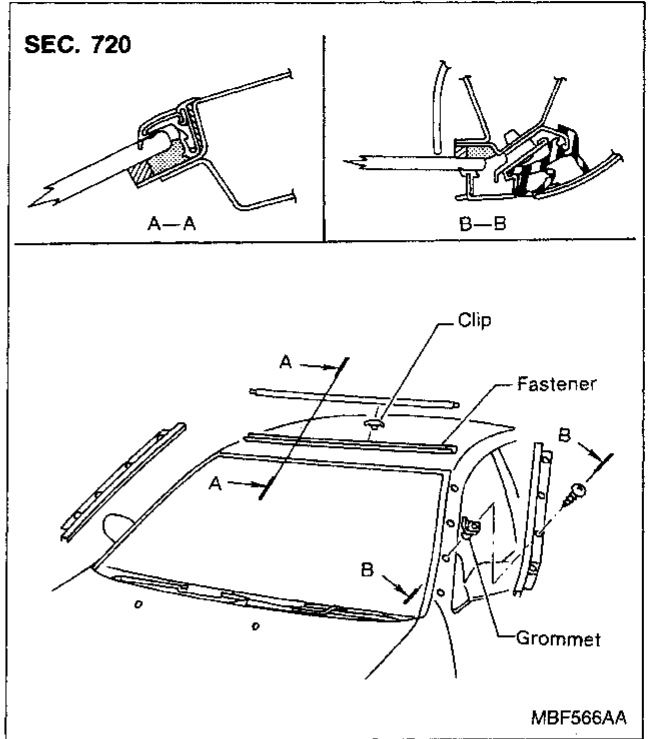
① Front hood insulator



② Cowl top grille and cowl top front sealing rubber



③ Front windshield molding



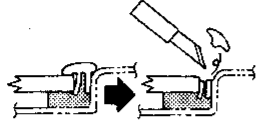
GI
MA
EM
LC
EC
FE
CL
MT
AT
FA
RA
BR
ST
RS
BT
HA
EL
IDX

EXTERIOR

③ Windshield upper and side molding

Method 1

Cut off top portion of molding and clean glass and panel surfaces.



Apply sealant to top portion of molding.



Cut off lower portion of new molding.

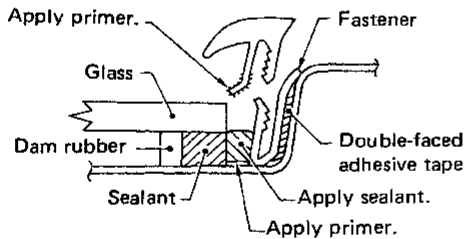


Finish well to give it a good appearance.

SBF266G

Method 2

1. Cut off sealant at glass end.
2. Clean the side on which panel was mounted.
3. Set molding fastener and apply sealant to body panel, and apply primer to molding and body.

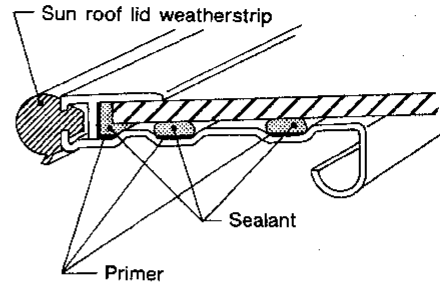


4. Install molding by aligning the molding mark located on center with vehicle center. Be sure to install tightly so that there is no gap around the corner.

SBF267G

④ Sunroof lid weatherstrip

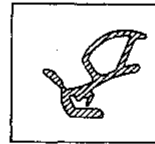
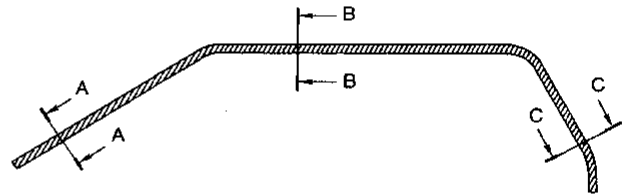
SEC. 736



MBF109AA

⑤ Body side drip weatherstrip

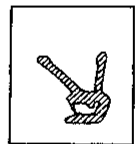
SEC. 767



A-A



B-B

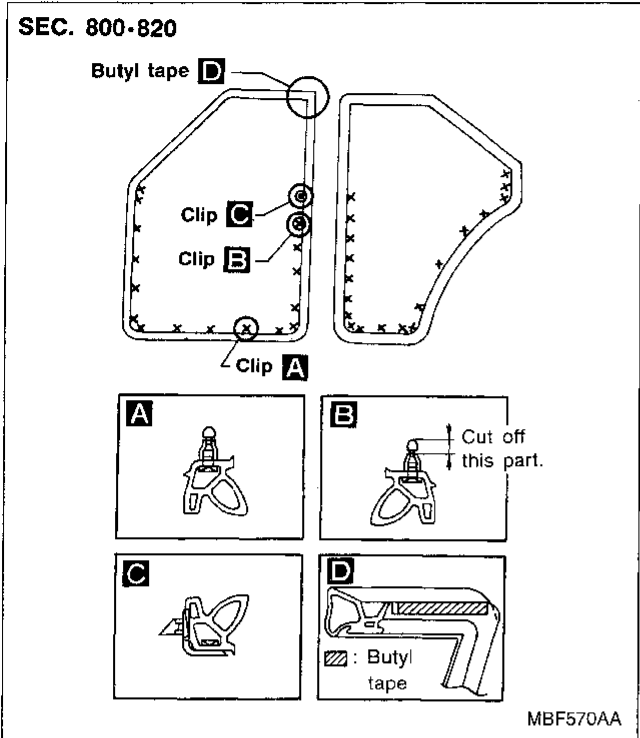


C-C

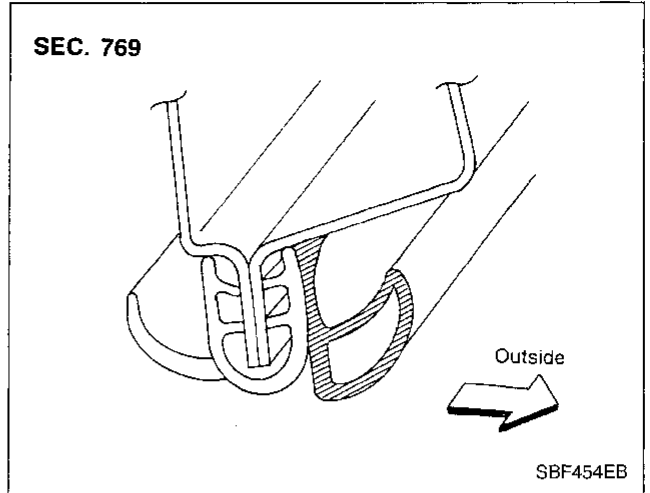
MBF568AA

EXTERIOR

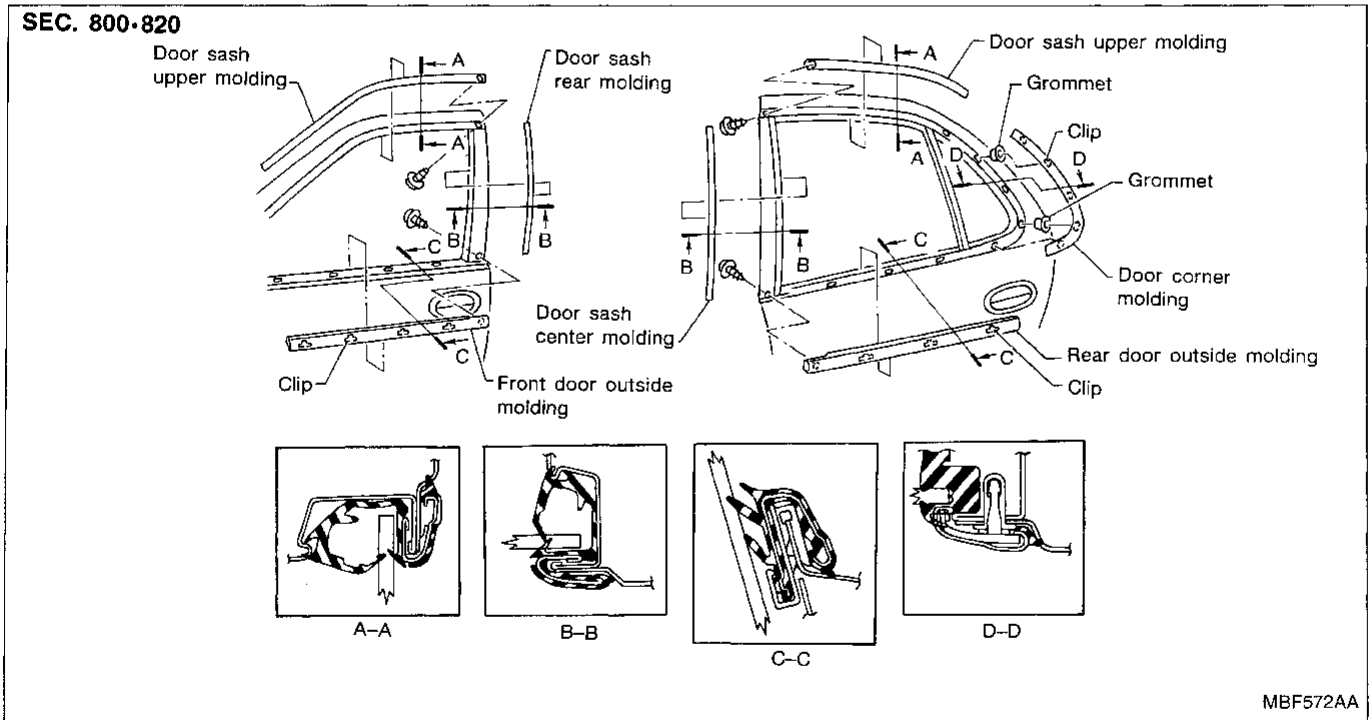
⑥ Door weatherstrip



⑦ Body side welt



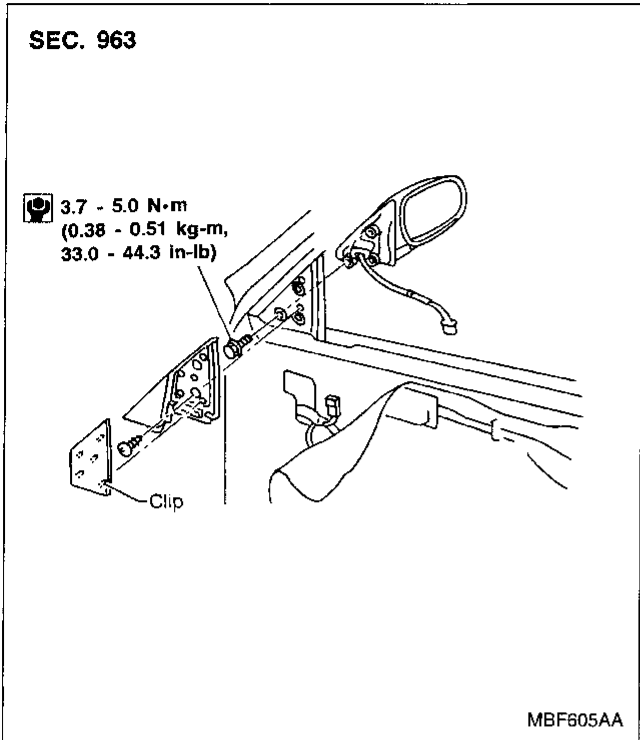
⑧ Door waist outside molding



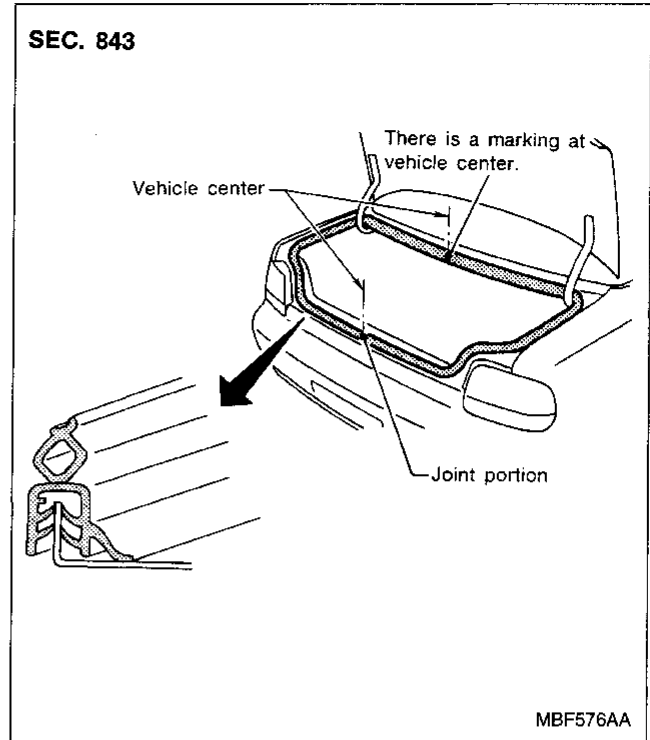
GI
MA
EM
LC
EC
FE
CL
MT
AT
FA
RA
BR
ST
RS
BT
HA
EL
IDX

EXTERIOR

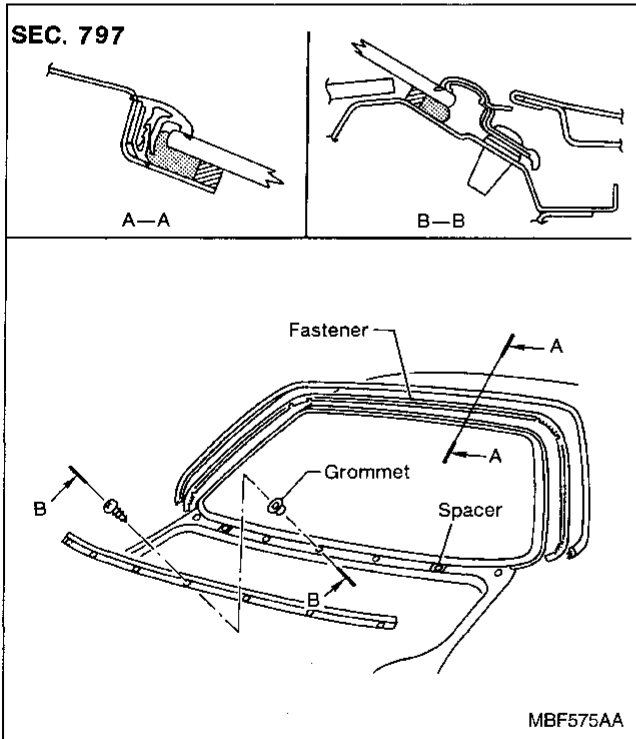
⑨ Front door corner cover



⑪ Trunk lid weatherstrip



⑩ Rear windshield molding

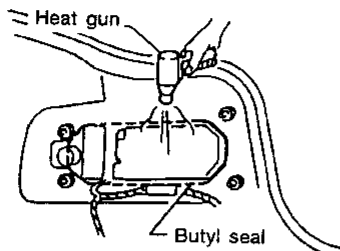


12 Rear combination lamp

SEC. 265

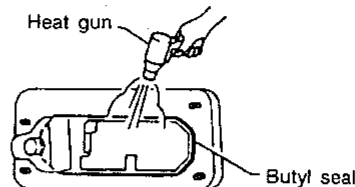
- Rear combination lamps are installed with nuts and butyl seal.

Removal



- Warm up lamp assembly area to a temperature slightly below 60°C (140°F)

Installation



- Apply butyl seal evenly as it tends to become thin at the corners.
- Warm up lamp assembly area to a temperature slightly below 60°C (140°F).

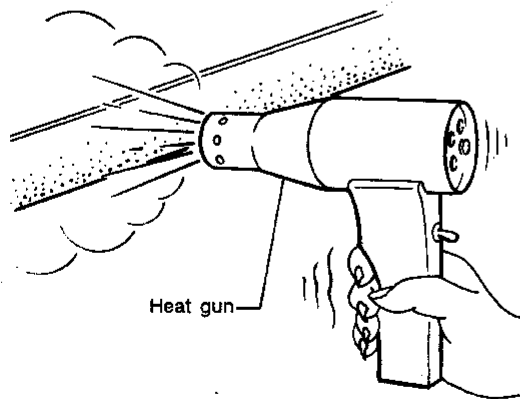
MBF120AA

13 Side guard molding

SEC. 766



■ : Double-faced adhesive tape



SBF460EA

- Original side guard molding is affixed to body panel with double-faced adhesive tape.
- The repair parts are also affixed with double-faced adhesive tape.

● **Removal:**

1. Heat molding portion to 30 to 40°C (86 to 104°F) with a heat gun.
2. Raise end of molding and, while cutting off bonding agent, detach molding.

● **Installation:**

1. Remove all traces of bonding agent from body panel. Then clean contact face of body.

CAUTION:

Never apply tack-paper adhesive remover to body panel surface finished with lacquer-based paint.

2. Heat body panel and molding to 30 to 40°C (86 to 104°F) with a heat gun. Then install molding.

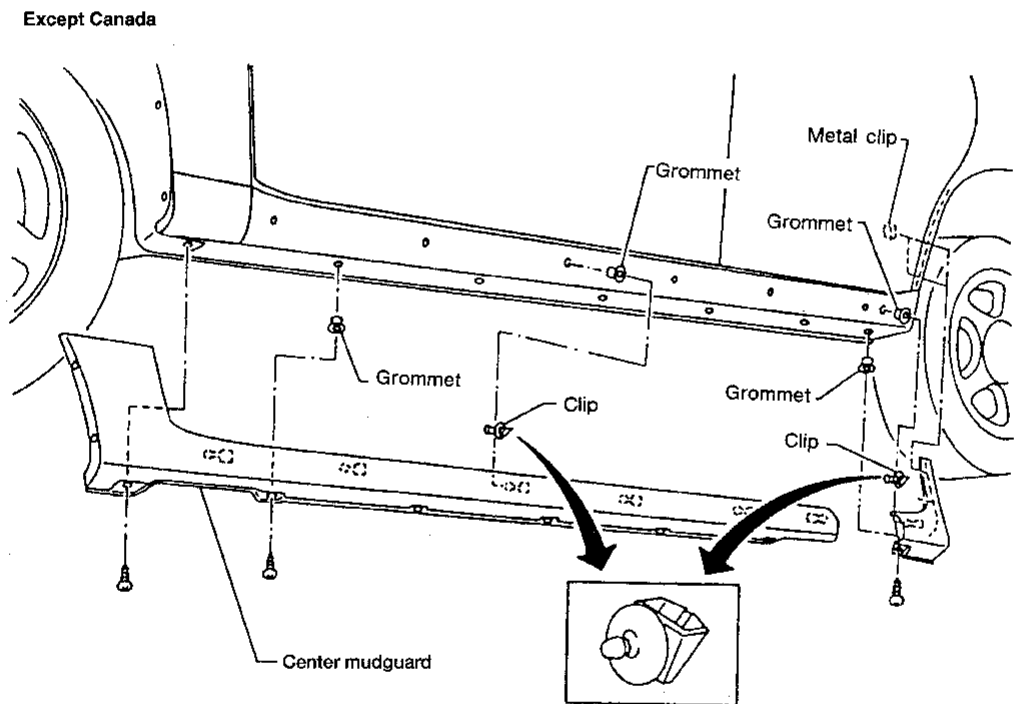
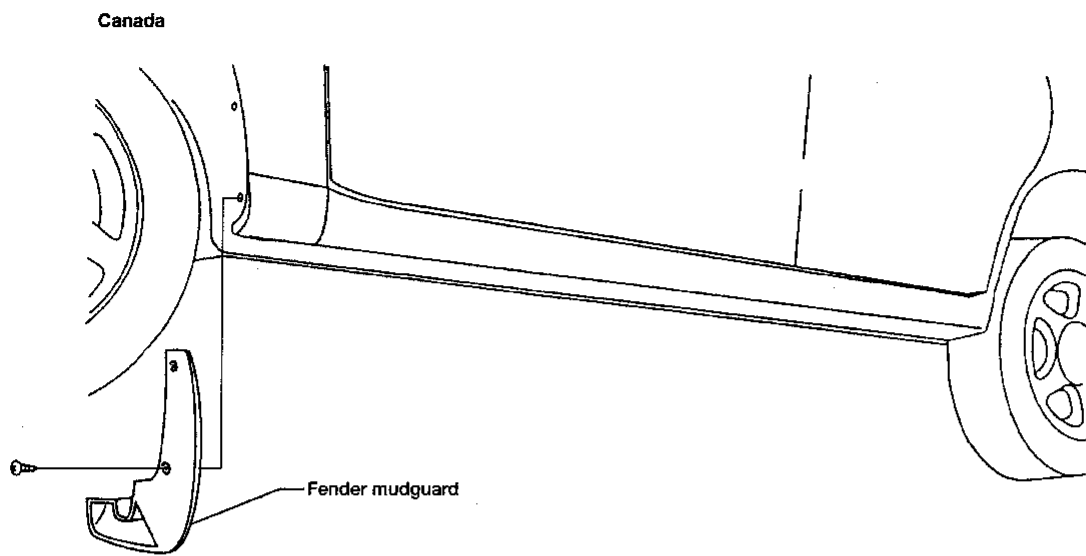
- For vehicles coated with a Hard Clear Coat, use double-faced 3M adhesive tape Product No. 4210 or equivalent, after priming with 3M primer Product No. N-200 or C-100 or equivalent.

GI
MA
EM
LC
EC
FE
CL
MT
AT
FA
RA
BR
ST
RS
BT
HA
EL
IDX

EXTERIOR

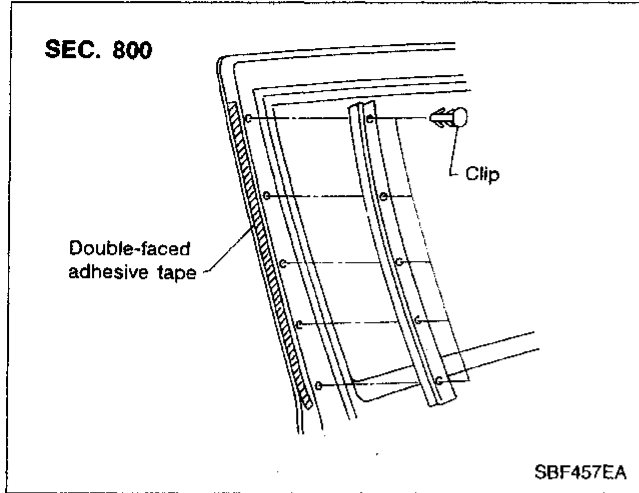
14 Fender and Center mudguard

SEC. 767



ABT100

⑮ Front door parting seal



GI

MA

EM

LC

EC

FE

CL

MT

AT

FA

RA

BR

ST

RS

BT

HA

EL

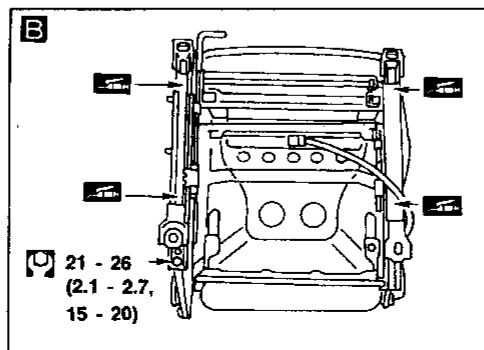
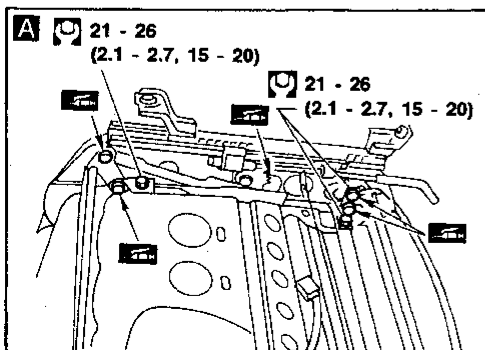
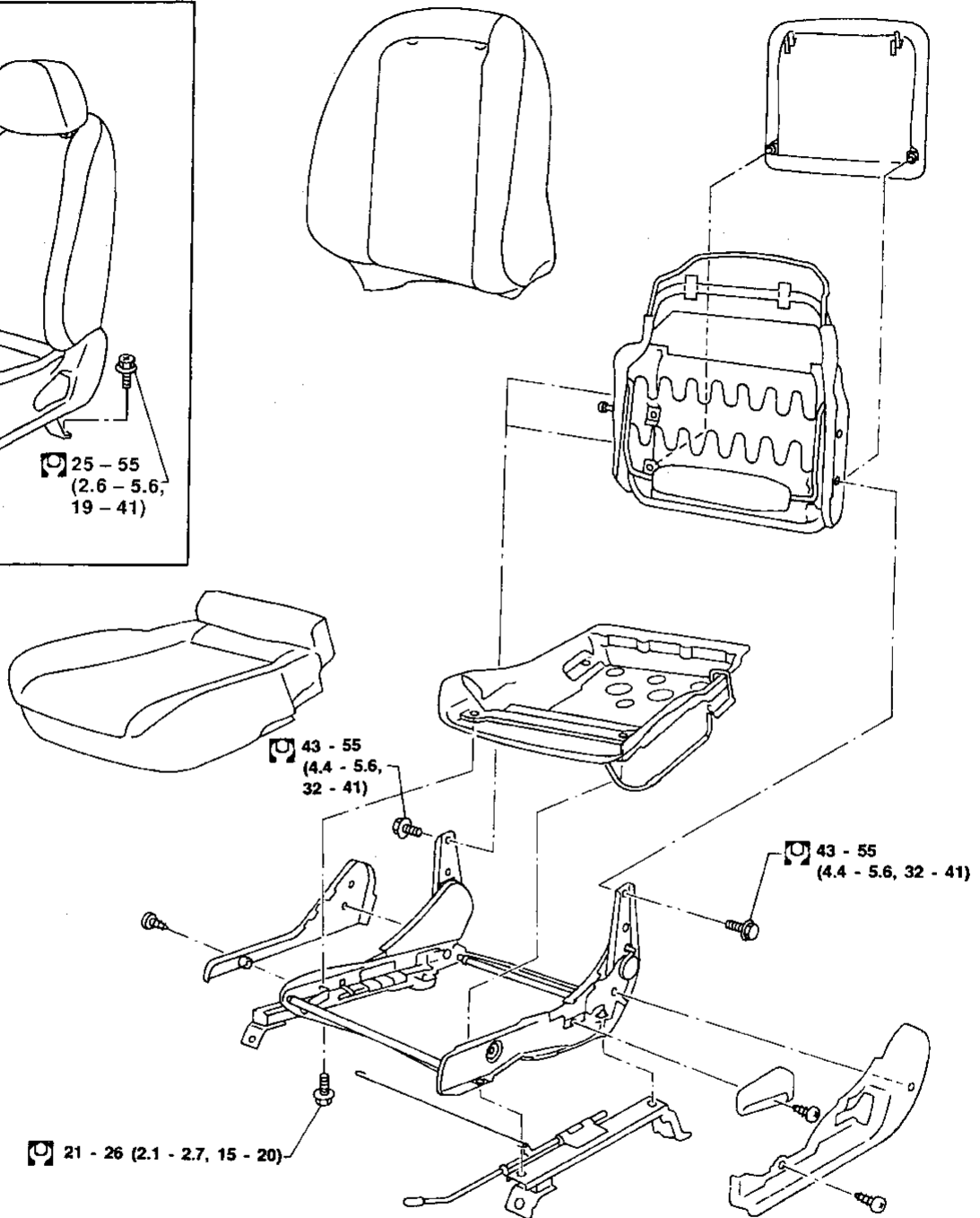
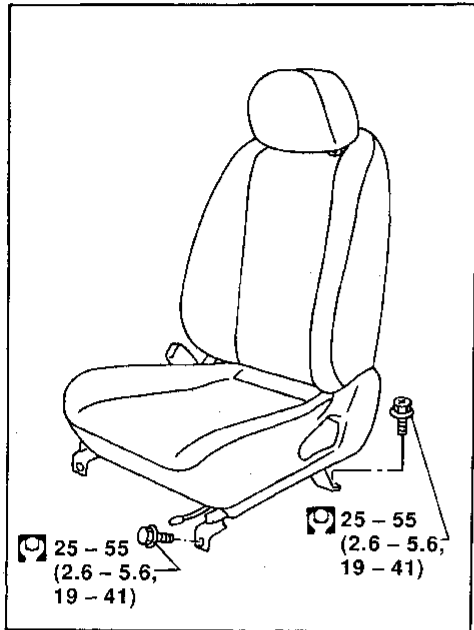
IDX

SEAT

When removing or installing the seat trim, handle carefully to keep dirt out and avoid damage.

Front Seat

SEC. 870

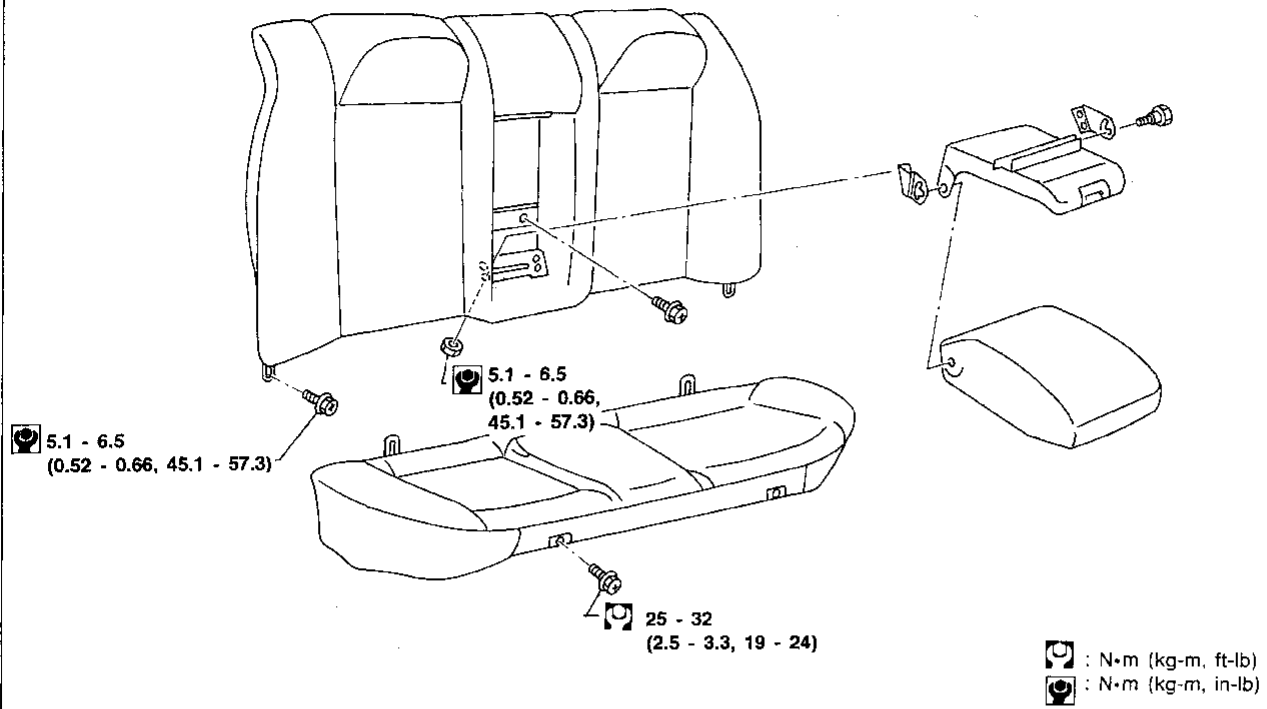


: N·m (kg·m, ft·lb)

SEAT

Rear Seat

SEC. 880

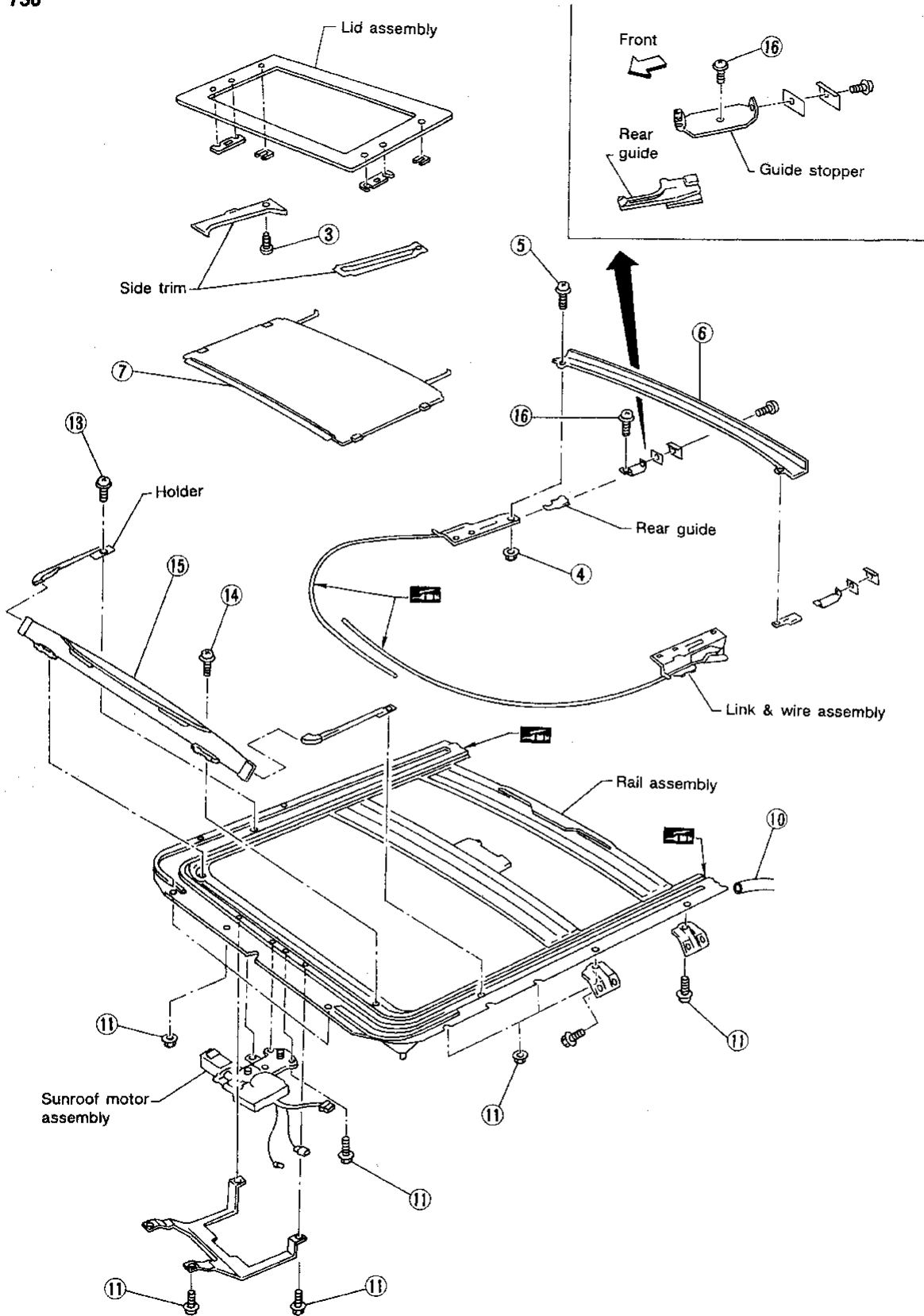


MBF579AA

GI
MA
EM
LC
EC
FE
CL
MT
AT
FA
RA
BR
ST
RS
BT
HA
EL
IDX

SUNROOF

SEC. 736



SUNROOF

Removal

- After any repair, check sunroof operation and lid alignment.
- Handle finisher plate and glass lid with care so not to cause damage.
- It is desirable for easy installation to mark each point before removal.

CAUTION:

- Always work with a helper.
- Remove sunroof frame from rear door opening.

SUNROOF LID ASSEMBLY

- ① Open sunroof shade.
- ② Close sunroof lid.
- ③ Remove side trim clips.
- ④ Remove the six nuts securing sunroof lid assembly to link assembly.

SHADE ASSEMBLY

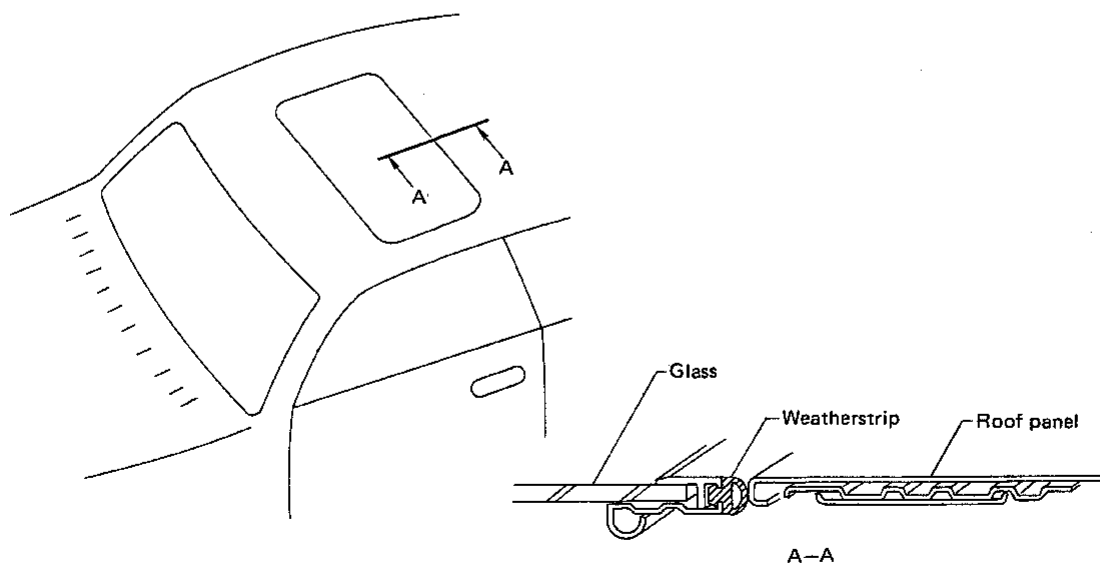
- ⑤ After removing sunroof lid assembly, remove screws securing rear drains to roof.
- ⑥ Remove rear drain.
- ⑦ Remove shade assembly.

SUNROOF ASSEMBLY

- ⑧ Remove headlining. Refer to BT-18.
- ⑨ Disconnect interior lamp harness.
- ⑩ Disconnect front and rear drain hoses.
- ⑪ Remove nuts and bolts securing sunroof rail and motor to roof.
- ⑫ Remove sunroof assembly.

LINK & WIRE ASSEMBLY

- ⑬ After removing shade assembly and sunroof assembly, remove the two screws securing holders to sunroof rail.
- ⑭ Remove the two screws securing window deflector to sunroof rail.
- ⑮ Remove window deflector.
- ⑯ Remove the two screws securing guide stoppers to sunroof rail.



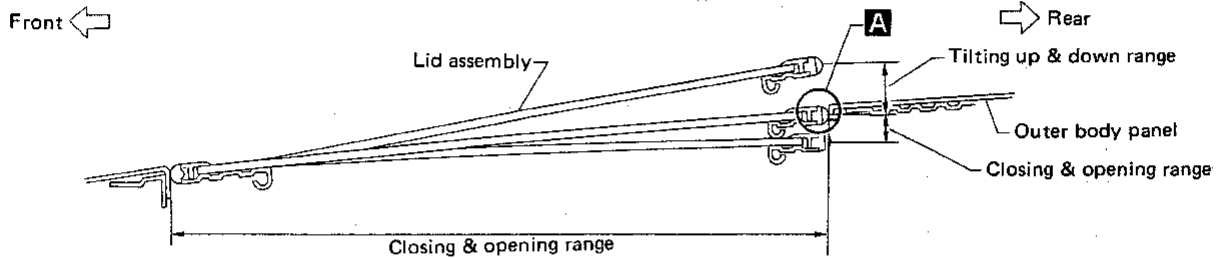
GI
MA
EM
LC
EC
FE
CL
MT
AT
FA
RA
BR
ST
RS
BT
HA
EL
IDX

SUNROOF

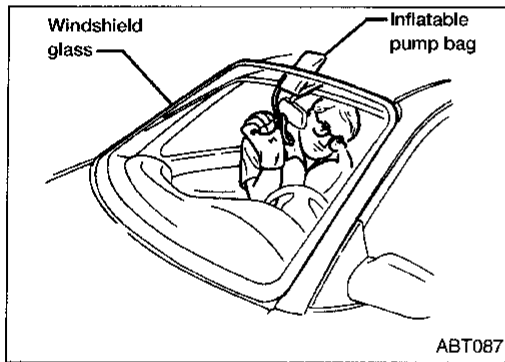
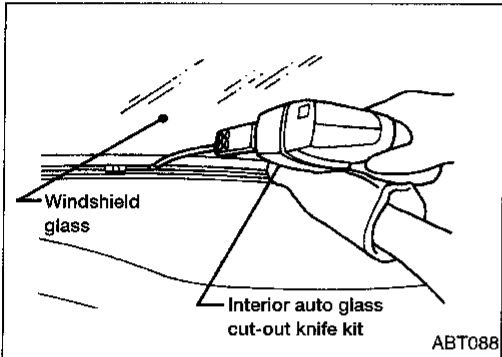
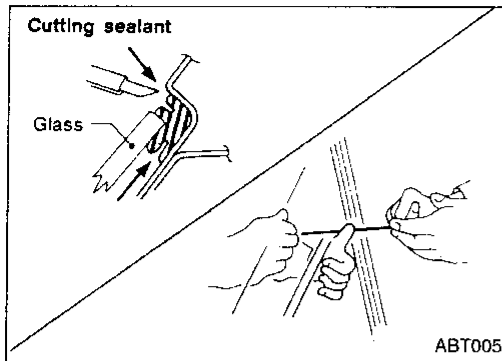
Adjustment

Install motor & limit SW assembly and sunroof rail assembly in the following sequence:

1. Arrange equal lengths of link and wire assemblies on both sides of sunroof opening.
2. Connect sunroof connector to sunroof switch and positive (+) power supply.
3. Set lid assembly to fully closed position **A** by operating CLOSE switch and TILT switch.
4. Fit outer side of lid assembly to the surface of roof on body outer panel.
5. Remove motor, and keep CLOSE switch pressed until motor pinion gear reaches the end of its rotating range.
6. Install motor.
7. Check that motor drive gear fits properly in wires.
8. Press TILT-UP switch to check lid assembly for normal tilting.
9. Check sunroof lid assembly for normal operations (tilt-up, tilt-down, open, and close).



WINDSHIELD AND WINDOWS



REMOVAL

After removing moldings, remove glass using piano wire or power cutting tool and an inflatable pump bag.

CAUTION:

Be careful not to scratch glass when removing.

INSTALLATION

- Use genuine Nissan Sealant kit or equivalent. Follow instructions furnished with it.
- After installation, the vehicle should remain stationary until the sealant hardens.

WARNING:

Keep heat and open flames away as primers are flammable.

CAUTION:

Advise the user that the vehicle should not be driven on rough roads or surfaces for 24 hours after installation.

- Do not use sealant which is past its usable term.
- Do not leave cartridge unattended with its cap open.
- Keep primers and sealant in a cool, dry place. Ideally, they should be stored in a refrigerator.
- Molding must be installed securely so that it is in position and leaves no gap.

GI

MA

EM

LC

EC

FE

CL

MT

AT

FA

RA

BR

ST

RS

BT

HA

EL

IDX

WINDSHIELD AND WINDOWS

Windshield and Rear Window

Install spacer to panel.

Windshield

425 (16.73)

Rear window

405 (15.94)

Unit: mm (in)

Install molding fastener.
When installing it, heat body panel and fastener to approx. 30 to 40°C (86 to 104°F).

Upper & side molding fasteners

Fastener

Panel

Double-faced adhesive tape

ABT004

Install dam rubber.

Windshield

8 - 9 (0.31 - 0.35)

Vehicle center

8 - 9 (0.31 - 0.35)

8 - 9 (0.31 - 0.35)

Joint portion

Rear window

8 - 9 (0.31 - 0.35)

Vehicle center

8 - 9 (0.31 - 0.35)

8 - 9 (0.31 - 0.35)

Joint portion

8 - 9 (0.31 - 0.35)

Dam rubber

Glass

Double-faced adhesive tape

8 - 9 (0.31 - 0.35)

Apply sealant evenly.
Windshield and rear window

7 - 8 (0.28 - 0.31)

12 - 15 (0.47 - 0.59)

Dam rubber

Glass

Unit: mm (in)

ABT003

REPAIRING WATER LEAKS FOR WINDSHIELD

Leaks can be repaired without removing and reinstalling glass.

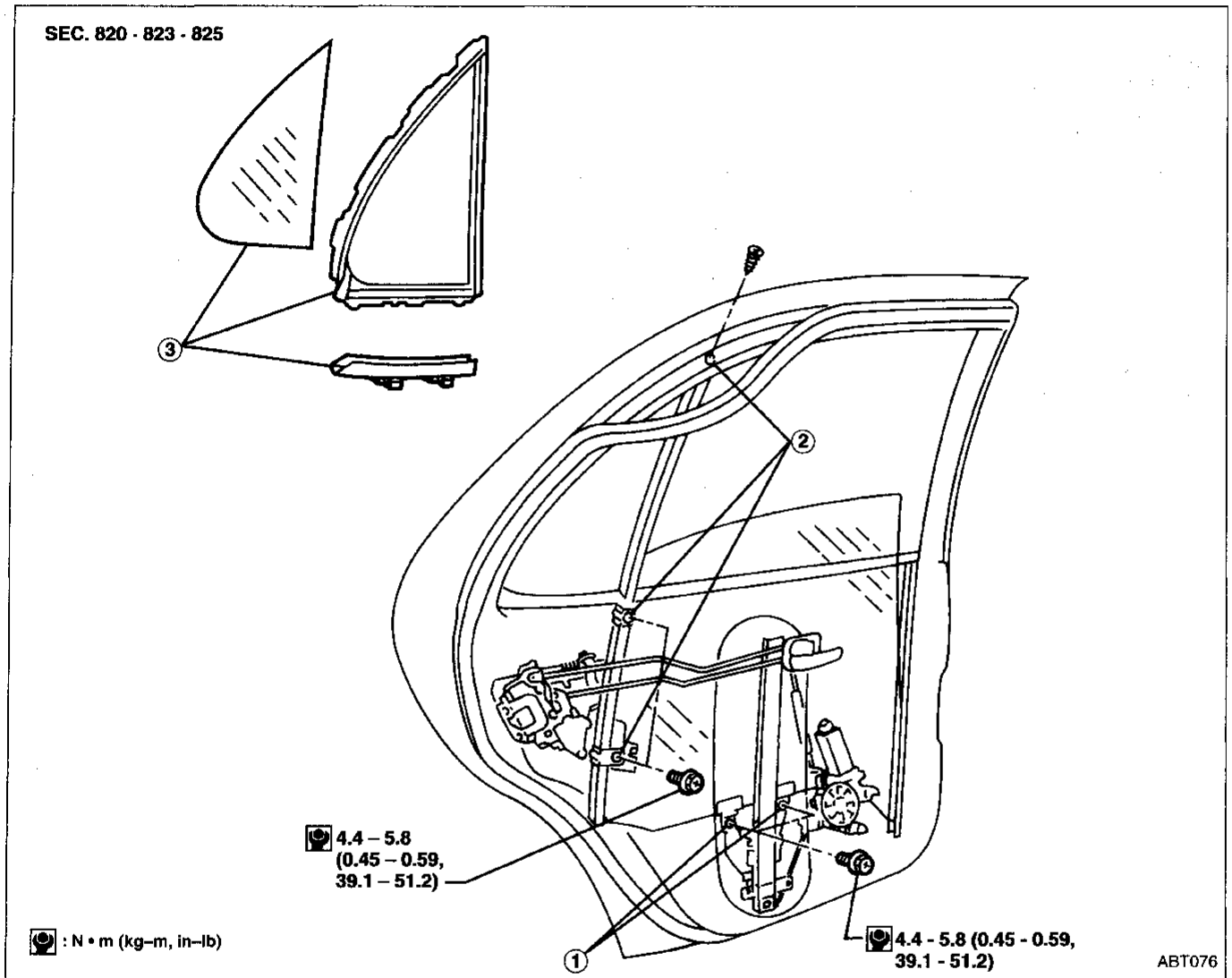
If water is leaking between caulking material and body or glass, determine the extent of leakage. This can be done by applying water while pushing glass outward.

To stop the leak, apply primer (if necessary) and then sealant to the leak point.

Quarter Window

REMOVAL

- Remove the rear door trim. For details, refer to BT-16.
- Roll the rear window down.
- ① Remove two screws securing rear glass, then remove rear glass.
- ② Remove three screws securing rear door center sash, then remove rear door center sash.
- ③ Remove the plastic support and quarter glass.



GI

MA

EM

LC

EC

FE

CL

MT

AT

FA

RA

BR

ST

RS

BT

HA

EL

IDX

MIRROR

Door Mirror

REMOVAL AND INSTALLATION

For removal and installation of the door mirror, refer to BT-24 (“⑨ Front door corner cover”, “EXTERIOR”).

SEC. 963

Mirror glass replacement

- Mirror glass must be removed to access internal mirror components (*i.e.* motor).

CAUTION:

Do not exceed specified temperature or time limit. Excess heat or duration may cause damage to the mirror housing.

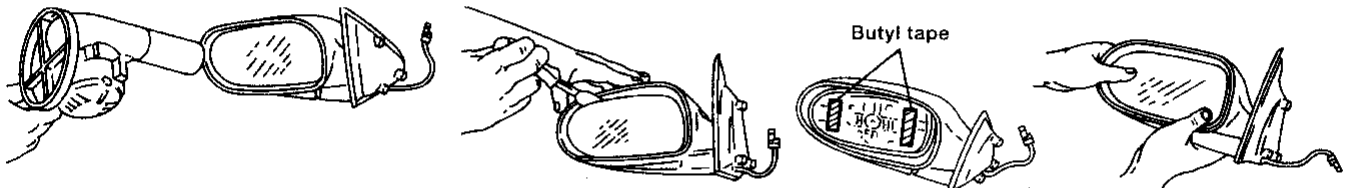
• Removal

1. Use a heat lamp (at least 500 watts) to thoroughly warm the frame edge of the door mirror glass to approximately 70°C (159°F) for three minutes.

2. Insert a stiff blade scraper between the mirror glass and the frame. Pry the glass loose.
3. Remove any remaining adhesive (butyl tape) from the mounting surface on the frame.

• Installation

1. Install butyl/adhesive tape (2 pieces) on the frame.
2. Warm the mirror glass frame edge thoroughly with a heat lamp.
3. Position mirror glass on frame. Carefully press on the mirror glass to seat it in place.



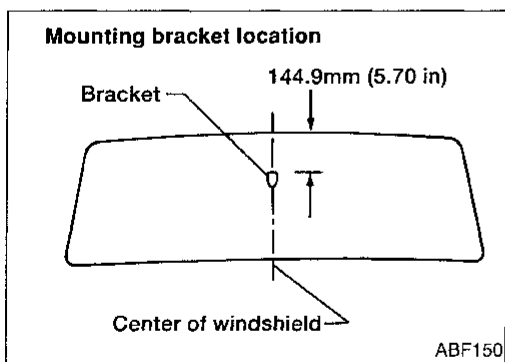
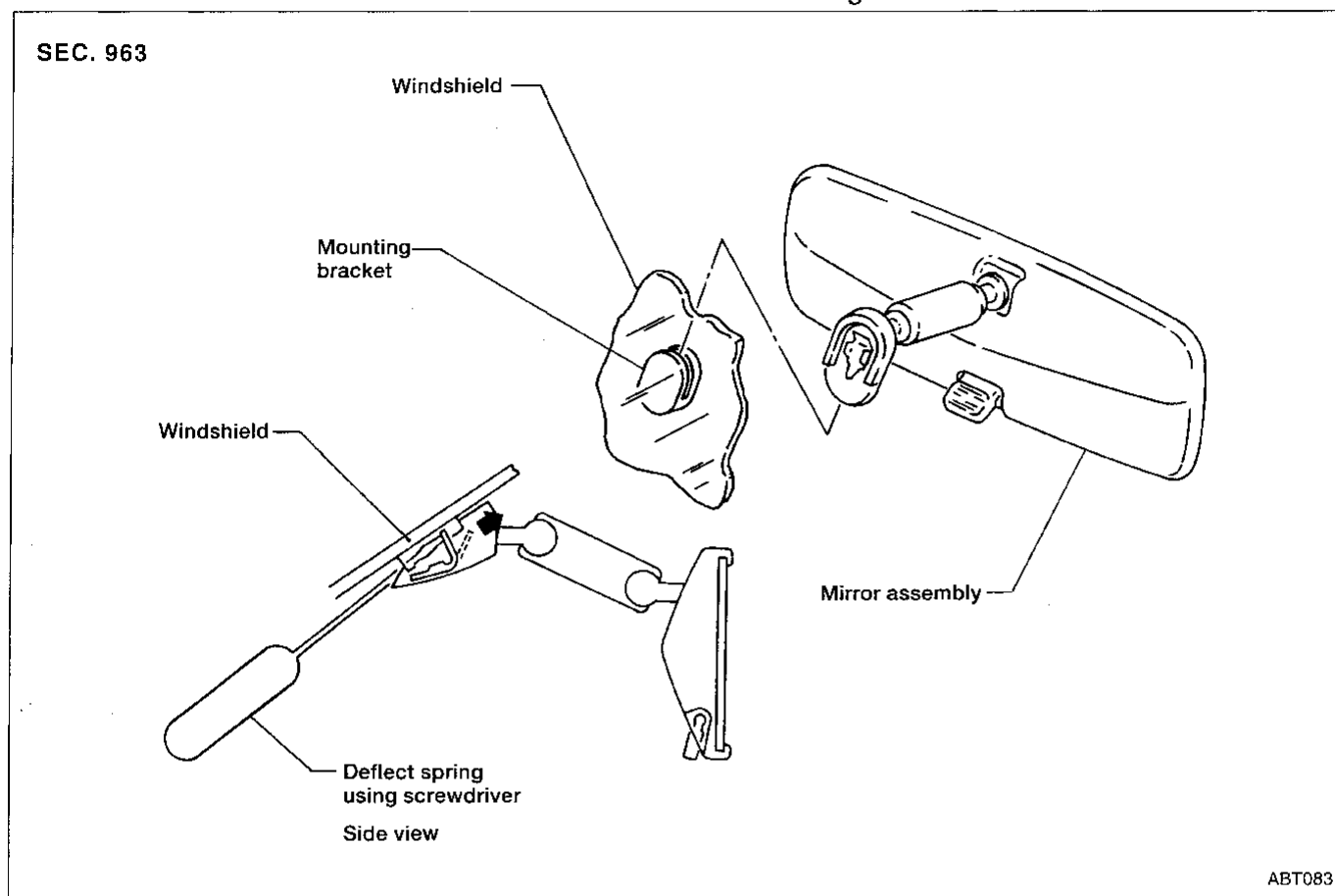
ABT077

MIRROR

Rearview Mirror

REMOVAL

Remove rearview mirror by pushing deflect spring with screwdriver as shown in the figure.



INSTALLATION

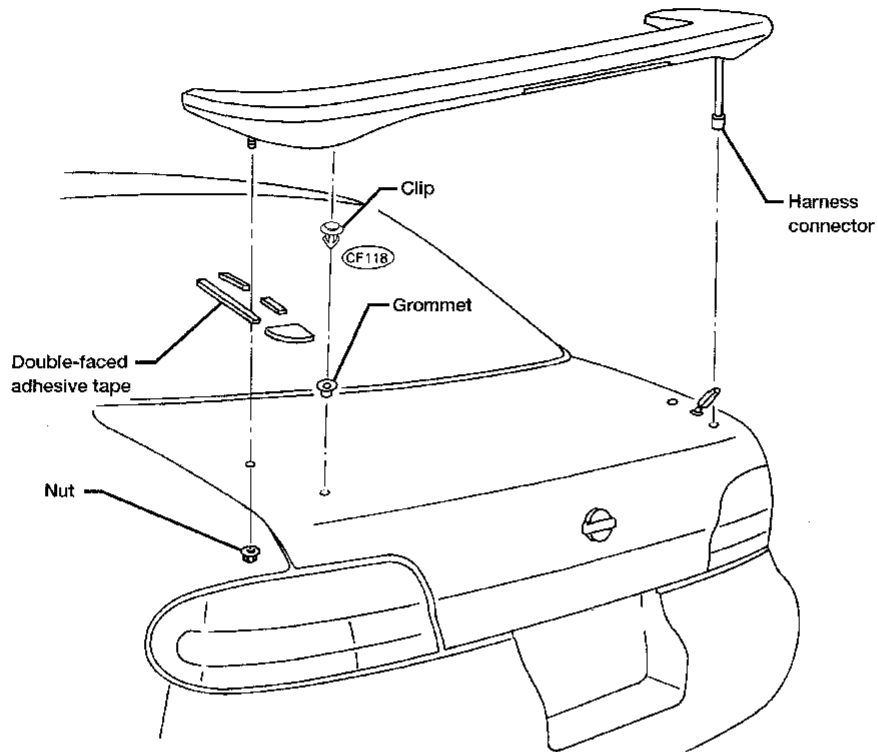
1. Install mounting bracket as follows:
 - a. Determine mounting bracket position on windshield by measuring from top of windshield to top of mounting bracket as shown in the figure.
 - b. Mark location on outside of windshield with wax pencil or equivalent.
 - c. Clean attaching point on inside of windshield with an alcohol-saturated paper towel.
 - d. Sand bonding surface of mounting bracket with sandpaper (No. 320 or No. 360).
 - e. Clean bonding surface of mounting bracket with an alcohol-saturated paper towel.
 - f. Apply Loctite Adhesive 11067-2 or equivalent to bonding surface of mounting bracket.
 - g. Install mounting bracket at premarked position and press mounting bracket against glass for 30 to 60 seconds.
 - h. After five minutes, wipe off excess adhesive with an alcohol-moistened paper towel.
2. Install rearview mirror.

REAR AIR SPOILER

- When installing, make sure that there are no gaps or waves at ends of air spoiler.
- Before installing spoiler, clean and remove oil from surface where spoiler will be mounted.

Rear Air Spoiler

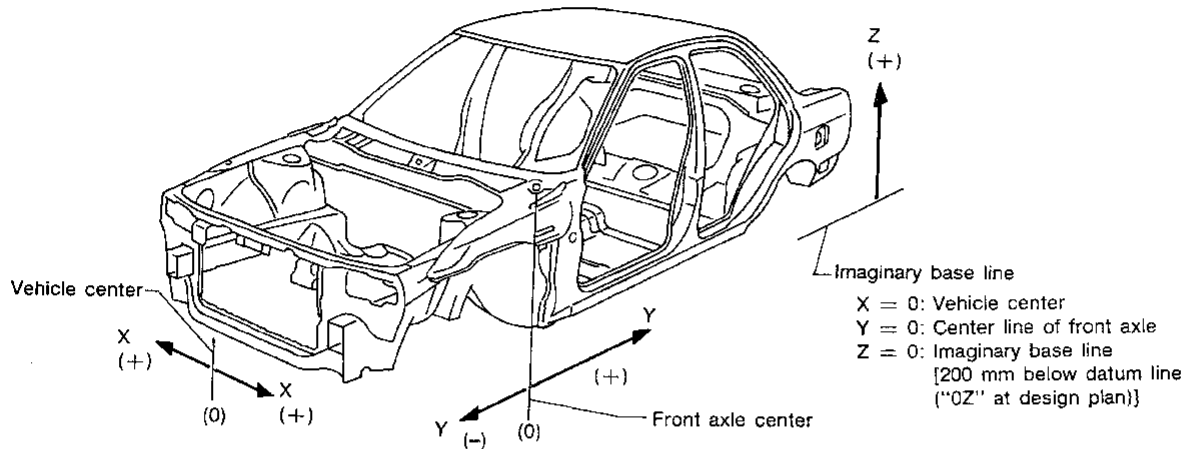
SEC. 960



ABT073

BODY ALIGNMENT

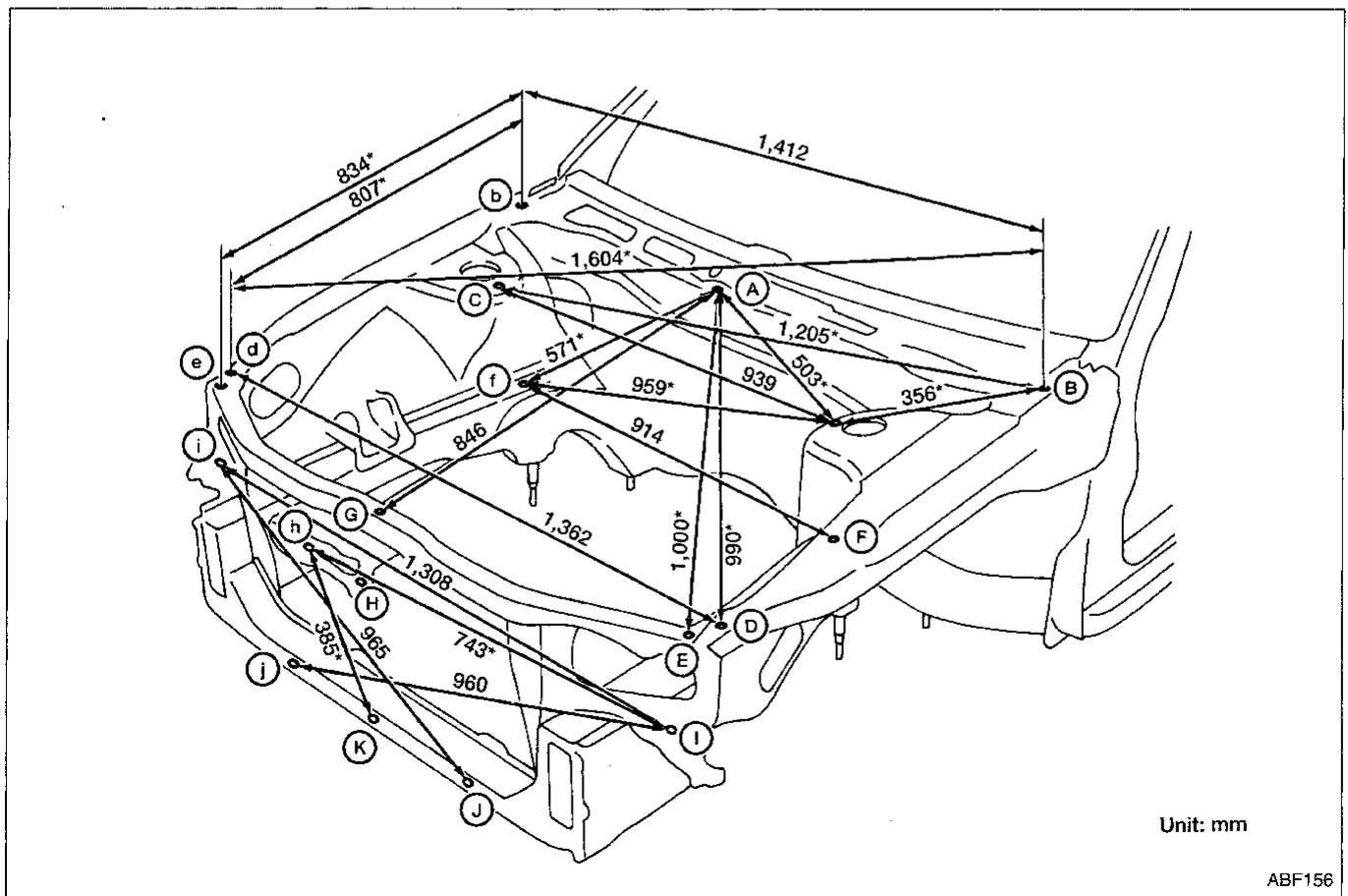
- All dimensions indicated in figures are actual ones.
- When using a tracking gauge, adjust both pointers to equal length. Make sure there is no free play.
- When a measuring tape is used, check to be sure there is no elongation, twisting or bending.
- Measurements should be taken at the center of the mounting holes.
- All measurements and mounting hole diameters are expressed in millimeters (mm).
- An asterisk (*) following the value at the measuring point indicates that the measuring point on the other side is symmetrically the same value.
- The coordinates of the measurement points are the distances measured from the standard line of "X", "Y" and "Z".



SBF874GC

Engine Compartment

MEASUREMENT

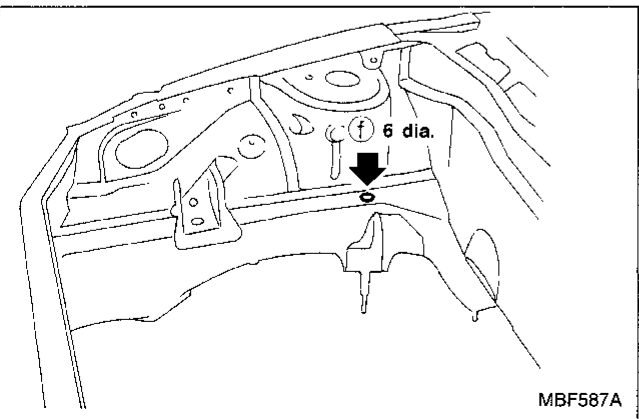
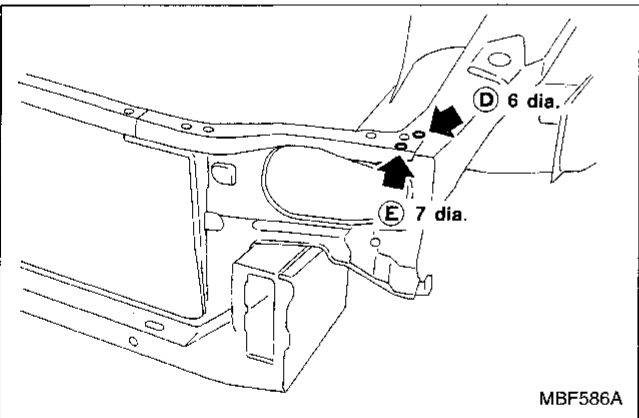
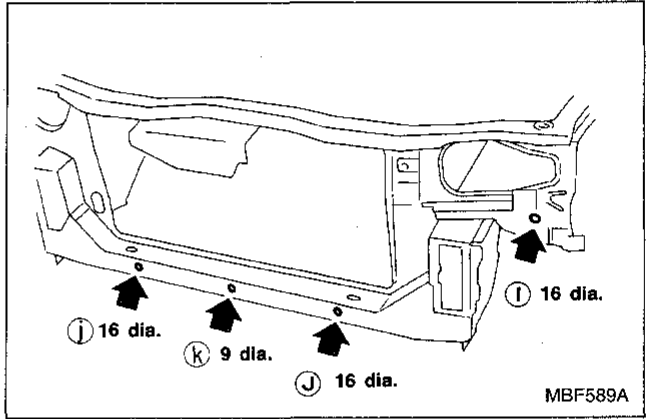
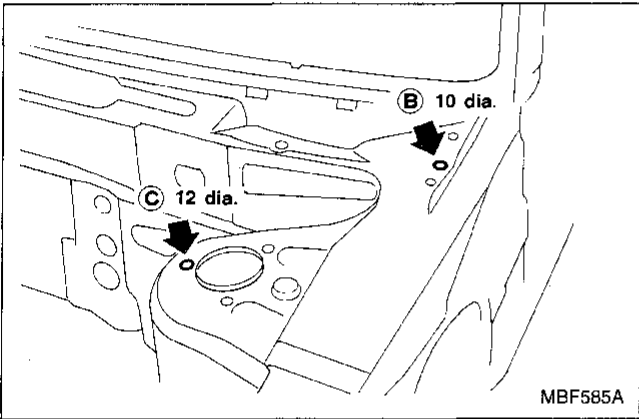
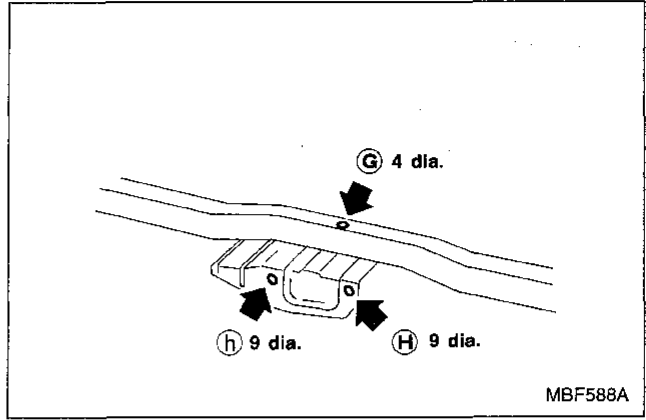
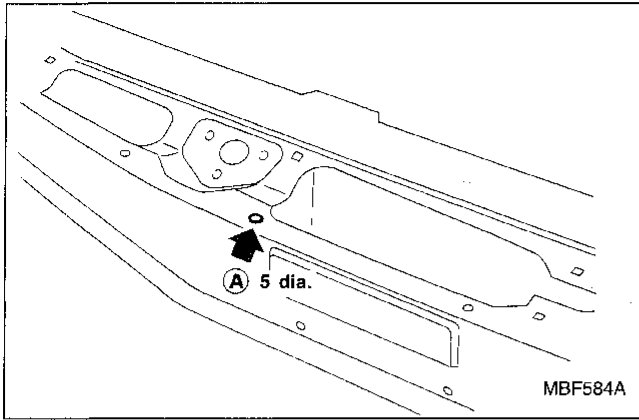


BODY ALIGNMENT

Engine Compartment (Cont'd)

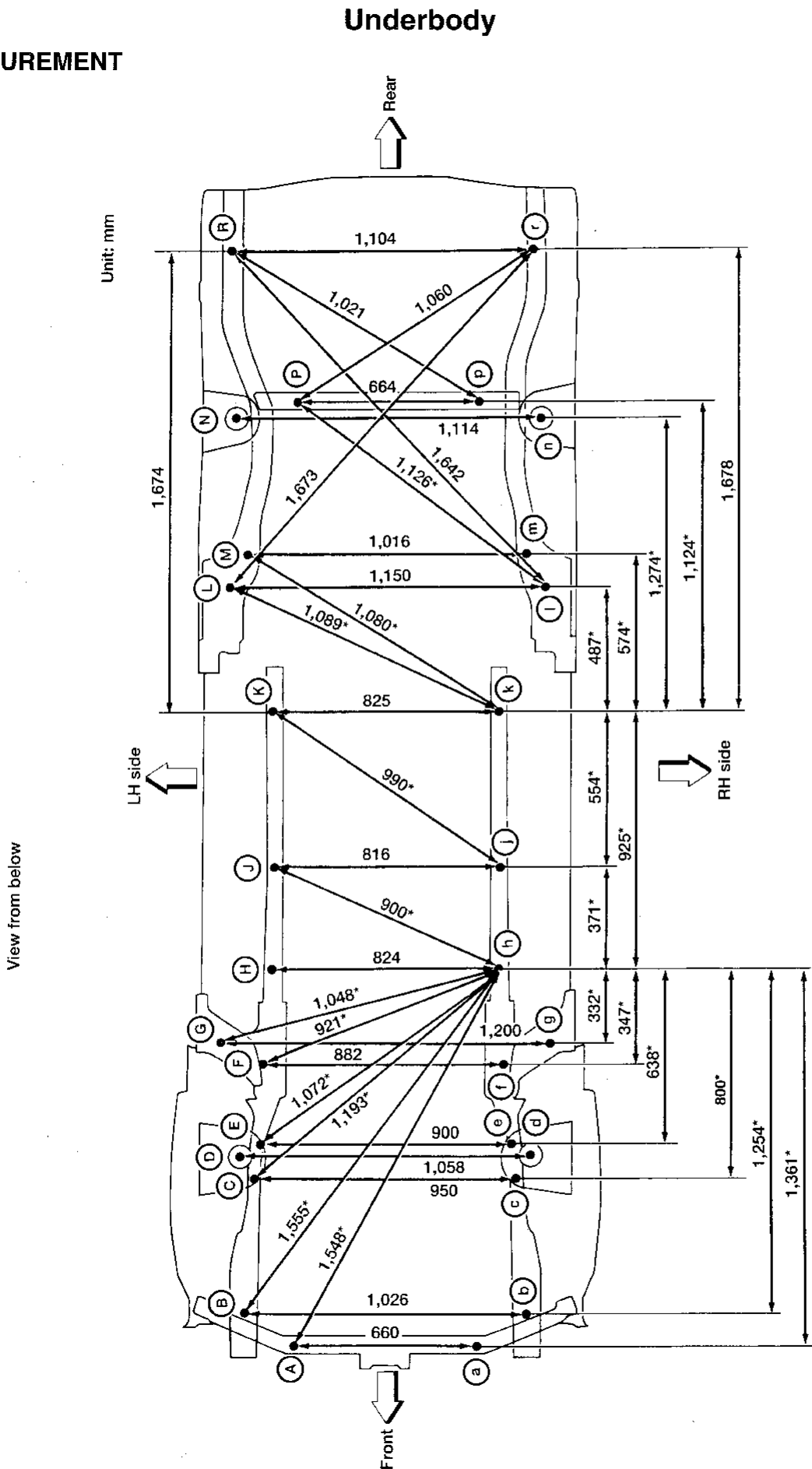
MEASUREMENT POINTS

Unit: mm



BODY ALIGNMENT

MEASUREMENT



GI
MA
EM
LC
EC
FE
CL
MT
AT
FA
RA
BR
ST
RS
BT
HA
EL
IDX

BODY ALIGNMENT

Underbody (Cont'd)

MEASUREMENT POINTS

Unit: mm

Coordinates:

(A), (a) X: 330
Y: -655
Z: 208

(B), (b) X: 513
Y: -540
Z: 265

(C), (c) X: 475
Y: -52
Z: 376

(D), (d) X: 529
Y: 27
Z: 756

(E), (e) X: 450
Y: 68
Z: 188.5

(F), (f) X: 441
Y: 354
Z: 111.5

(G), (g) X: 600
Y: 430
Z: 154.9

(H), (h) X: 412
Y: 700
Z: 109

(I), (i) X: 575
Y: 1,071
Z: 109

(J), (j) X: 408
Y: 1,071
Z: 109

(K), (k) X: 412.5
Y: 1,625
Z: 105.4

(L), (l) X: 575
Y: 2,070
Z: 216.1

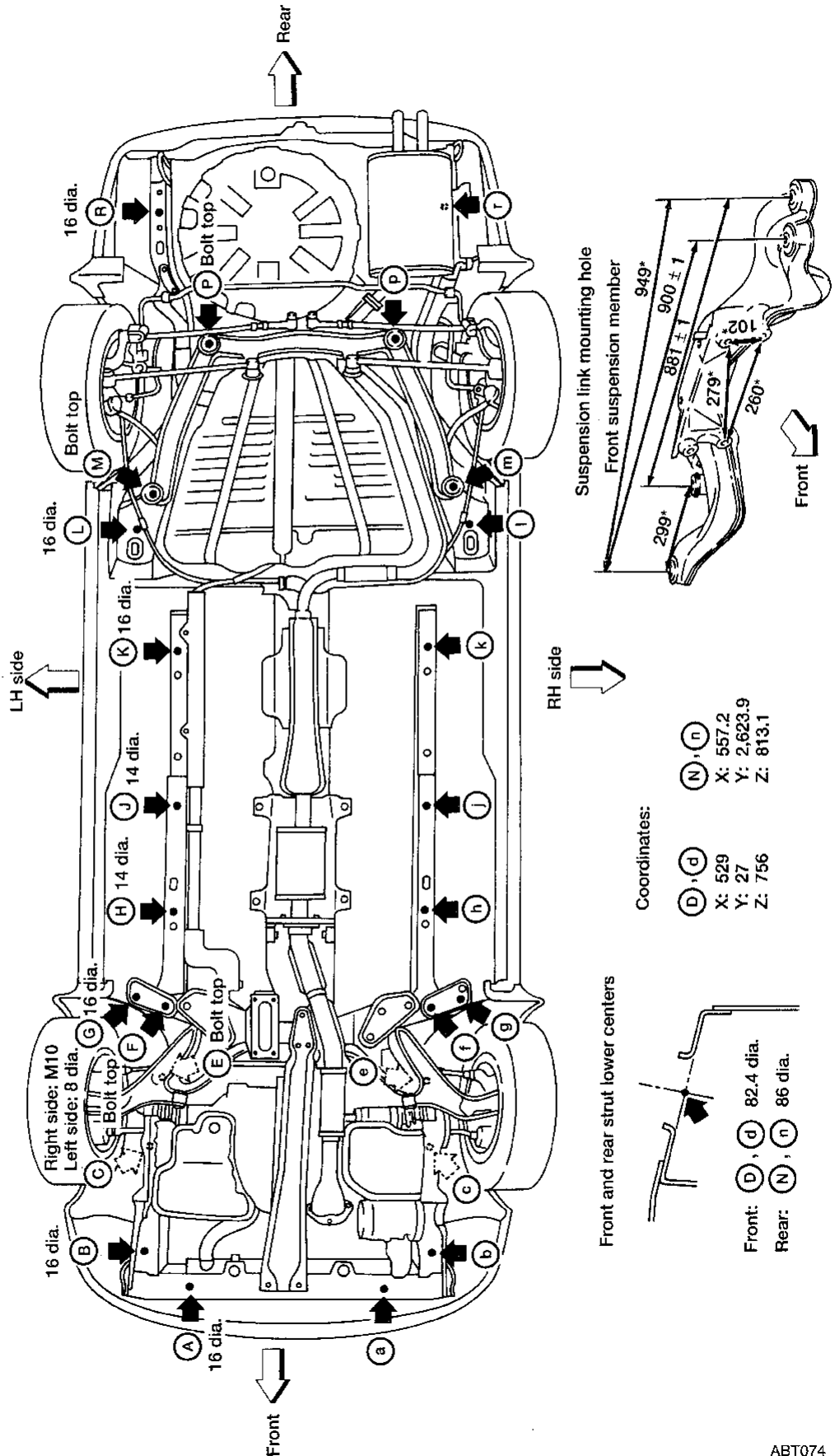
(M), (m) X: 508
Y: 2,190
Z: 133

(N), (n) X: 557.2
Y: 2,623.9
Z: 813.1

(O), (o) X: 529
Y: 3,280
Z: 326.5

(P), (p) X: 332
Y: 2,735
Z: 266

(Q), (q) X: 575
Y: 3,280
Z: 326.5



Coordinates:

(D), (d) X: 529
Y: 27
Z: 756

(N), (n) X: 557.2
Y: 2,623.9
Z: 813.1

Front and rear strut lower centers

Front: (D), (d) 82.4 dia.
Rear: (N), (n) 86 dia.