

SECTION BT

GI

MA

EM

LC

EC

FE

CL

MT

AT

FA

RA

BR

ST

RS

BT

HA

EL

IDX

CONTENTS

PRECAUTIONS AND PREPARATION2	⑧ Door sash molding 29
Service Notice.....2	⑨ Door outside molding 30
Supplemental Restraint System (SRS) "AIR BAG"2	⑩ Door parting seal 30
Clip and Fastener3	⑪ Side guard molding 30
BODY END7	⑫ Door weatherstrip 31
Body Front End.....7	⑬ Mudguards..... 31
Body Rear End and Opener..... 11	⑭ Rear combination lamp 32
DOOR 15	⑮ Trunk lid weatherstrip 32
Front Door..... 15	⑯ Rear air spoiler..... 33
Rear Door 17	⑰ Rear window molding..... 33
INSTRUMENT PANEL 18	SEAT 34
INTERIOR TRIM21	Front Seat..... 34
Side and Floor Trim21	Rear Seat..... 35
Door Trim23	SUNROOF 37
Roof Trim25	Trouble Diagnoses..... 41
Luggage Room Trim26	WINDSHIELD AND WINDOWS 45
EXTERIOR27	Windshield and Rear Window 46
① Front hood insulator 28	Quarter Window 47
②, ③ Cowl top grille and cowl top seal..... 28	MIRROR 48
④ Front windshield molding..... 28	Door Mirror..... 48
④ Windshield upper and side molding 28	Rearview Mirror..... 49
⑤ Sunroof lid weatherstrip..... 29	BODY ALIGNMENT 50
⑥ Body side drip weatherstrip..... 29	Engine Compartment..... 50
⑦ Body side welt 29	Underbody..... 52

Service Notice

- When removing or installing various parts, place a cloth or padding on the vehicle body to prevent scratches.
- Handle trim, molding, instruments, grille, etc. carefully during removal or installation. Be careful not to soil or damage them.
- Apply sealing compound where necessary when installing parts.
- When applying sealing compound, be careful that the sealing compound does not protrude from parts.
- When replacing any metal parts (for example body outer panel, members, etc.), be sure to take rust prevention measures.

Supplemental Restraint System (SRS) "AIR BAG"

The Supplemental Restraint System "AIR BAG", used along with a seat belt, helps to reduce the risk or severity of injury to the driver and front passenger in a frontal collision. The Supplemental Restraint System consists of air bag modules (located in the center of the steering wheel and in the instrument panel on the passenger side), a diagnosis sensor unit, warning lamp, wiring harness and spiral cable. Information necessary to service the system safely is included in the **RS section** of this Service Manual.


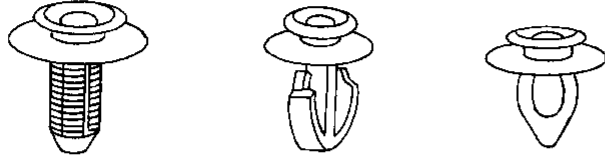


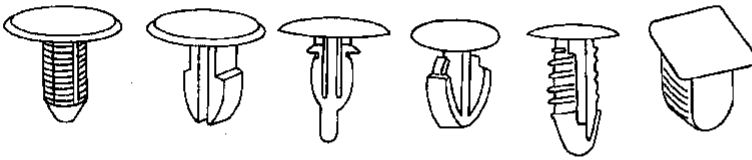
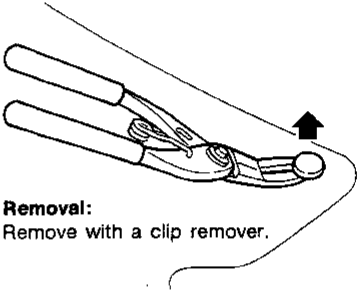

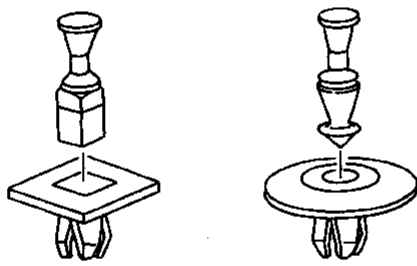
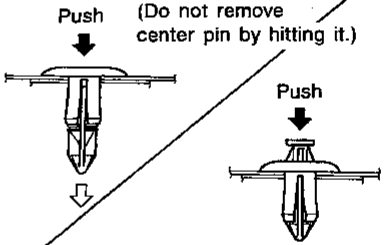
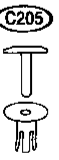
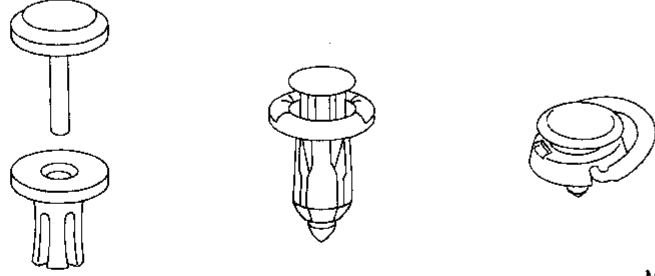
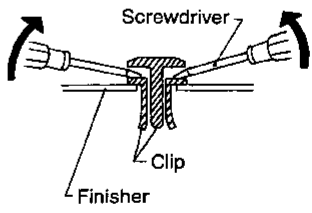
WARNING:

- **To avoid rendering the SRS inoperative, which could increase the risk of personal injury or death in the event of a collision which would result in air bag inflation, all maintenance must be performed by an authorized NISSAN dealer.**
- **Improper maintenance, including incorrect removal and installation of the SRS, can lead to personal injury caused by unintentional activation of the system.**
- **Do not use electrical test equipment on any circuit related to the SRS unless instructed to in this Service Manual. SRS wiring harnesses are covered with yellow insulation just before the harness connectors for easy identification.**

PRECAUTIONS AND PREPARATION

Clip and Fastener

- Clips and fasteners in BT section correspond to the following numbers and symbols.
- Replace any clips and/or fasteners which are damaged during removal or installation.

Symbol No.	Shapes	Removal & Installation
	 <p style="text-align: right;">SBF302H</p>	<p>Removal: Remove by bending up with flat-bladed screwdrivers.</p>  <p style="text-align: right;">SBF367B</p>
	 <p style="text-align: right;">SBT095</p>	<p>Removal: Remove with a clip remover.</p>  <p style="text-align: right;">SBF423H</p>
	 <p style="text-align: right;">SBF258G</p>	<p>Push center pin to catching position. (Do not remove center pin by hitting it.)</p>  <p>Installation:</p> <p style="text-align: right;">SBF708E</p>
	 <p style="text-align: right;">MBT080A</p>	<p>Removal:</p>  <p style="text-align: right;">SBF638C</p>

GI

MA

EM

LC

EC

FE

CL

MT

AT

FA

RA

BR

ST

RS

BT


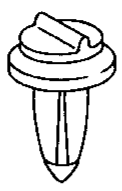
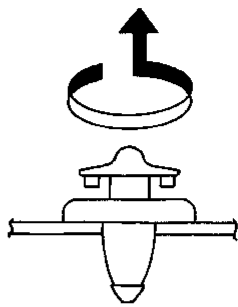

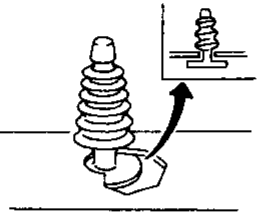
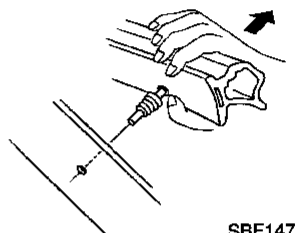

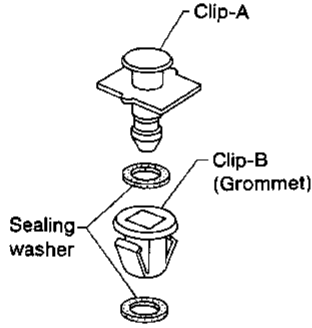
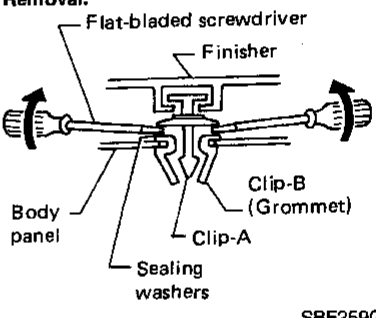

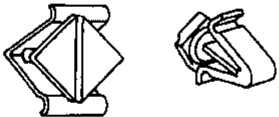
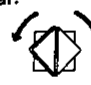
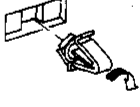

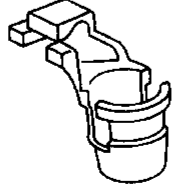
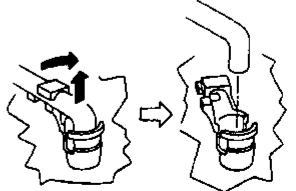
HA

EL

IDX


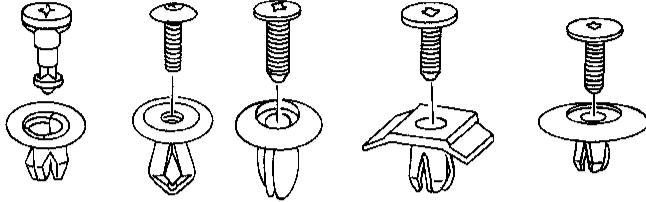
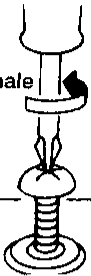
PRECAUTIONS AND PREPARATION

Clip and Fastener (Cont'd)

Symbol No.	Shapes	Removal & Installation
 <p>C206</p>	 <p style="text-align: right;">MBF519B</p>	 <p style="text-align: right;">MBF520B</p>
 <p>CE103</p>	 <p style="text-align: right;">SBF104B</p>	<p>Removal:</p>  <p style="text-align: right;">SBF147B</p>
 <p>CF118</p>	 <p style="text-align: right;">SBF151D</p>	<p>Removal:</p>  <p style="text-align: right;">SBF259G</p>
 <p>CG101</p>	 <p style="text-align: right;">SBF145B</p>	<div style="display: flex; justify-content: space-between;"> <div style="width: 45%;"> <p>Removal:</p>  <p>Rotate 45° to remove.</p> </div> <div style="width: 45%;"> <p>Installation:</p>  </div> </div> <p style="text-align: right;">SBF085B</p>
 <p>CR103</p>	 <p style="text-align: right;">SBF768B</p>	<p>Removal:</p> <p>Holder portion of clip must be spread out to remove rod.</p>  <p style="text-align: right;">SBF770B</p>

PRECAUTIONS AND PREPARATION

Clip and Fastener (Cont'd)

Symbol No.	Shapes	Removal & Installation
 <p>CS101</p>	 <p style="text-align: right; margin-top: 10px;">SBF078B</p>	<p>Removal: Screw out with a Phillips screwdriver.</p> <p>Remove female portion with flat-bladed screwdriver.</p>  <p style="text-align: right; margin-top: 10px;">ASBF140B</p>

GI

MA

EM

LC

EC

FE

CL

MT

AT

FA

RA

BR

ST

RS

BT

HA

EL

IDX

PRECAUTIONS AND PREPARATION

NOTES

Body Front End

- When removing or installing hood, place a cloth or other padding on front fender panels and cowl top. This prevents vehicle body from being scratched. **GI**
- Bumper fascia is made of plastic. Do not use excessive force and keep oil away from it.
- Hood adjustment: Adjust at hinge portion.
- Hood lock adjustment: After adjusting, check hood lock control operation. Apply a coat of grease to engaging mechanism of hood lock. **MA**
- Hood opener: Do not attempt to bend cable forcibly. Doing so increases effort required to unlock hood. **EM**

REMOVAL — Front bumper assembly

- ① Remove screws and clips securing bumper fascia to left and right front fender protectors. **C, D** **LC**
- ② Remove bolts securing bumper fascia to engine undercover. **E**
- ③ Remove bolts securing bumper fascia to bumper reinforcement and fascia support. **F** **EC**
- ④ Remove bumper fascia and energy absorber from vehicle.
- ⑤ Remove fog lamp from bumper reinforcement. **G**
- ⑥ Remove bumper reinforcement bolts and bumper reinforcement. **H** **FE**
- ⑦ Remove bumper stay bolts and bumper stays. **I**

CL

MT

AT

FA

RA

BR

ST

RS

BT

HA

EL

IDX

BODY END

Body Front End (Cont'd)

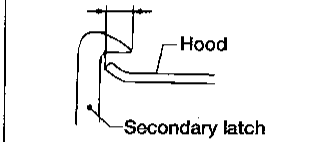
SEC. 261 • 620 • 623 • 650

Hood lock adjustment

- Adjust hood so that hood primary lock meshes at a position 1 to 1.5 mm (0.039 to 0.059 in) lower than fender.
- After hood lock adjustment, adjust bumper rubber.
- When securing hood lock, ensure it does not tilt. Striker must be positioned at the center of hood primary lock.
- After adjustment, ensure that hood primary and secondary lock operate properly.

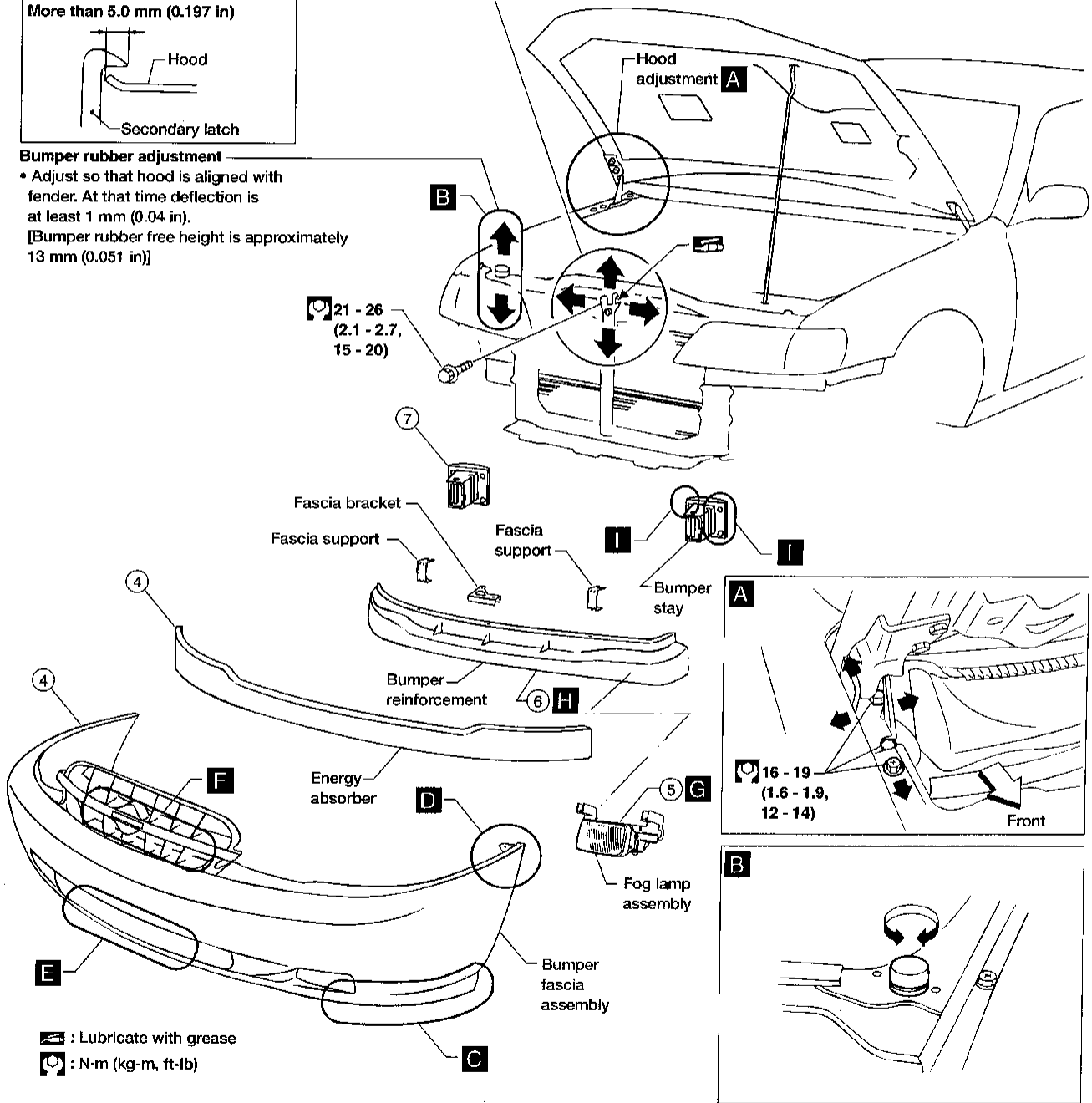
Hood lock secondary latch hooking length

More than 5.0 mm (0.197 in)



Bumper rubber adjustment

- Adjust so that hood is aligned with fender. At that time deflection is at least 1 mm (0.04 in).
- [Bumper rubber free height is approximately 13 mm (0.051 in)]

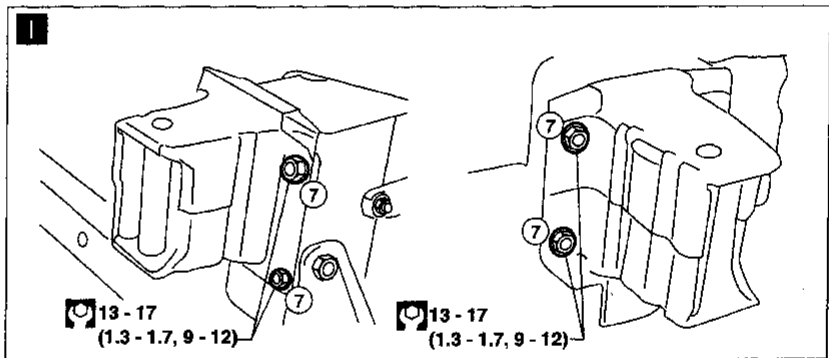
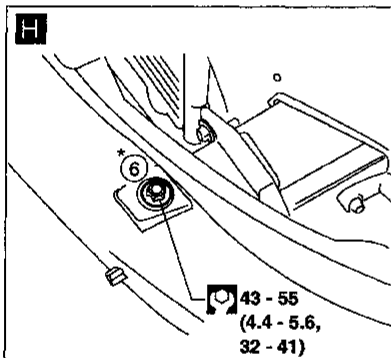
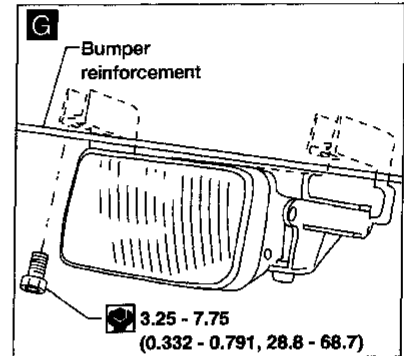
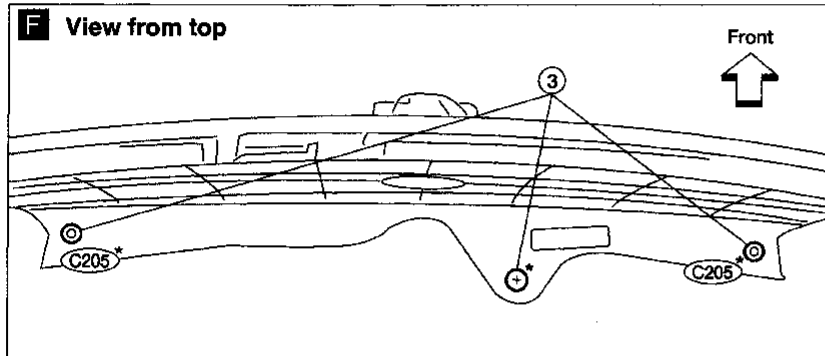
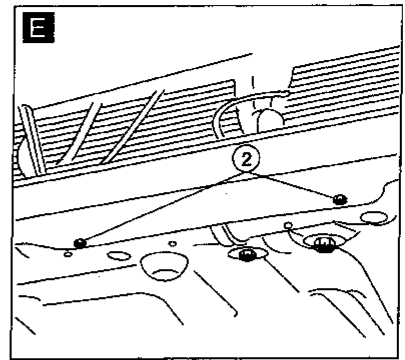
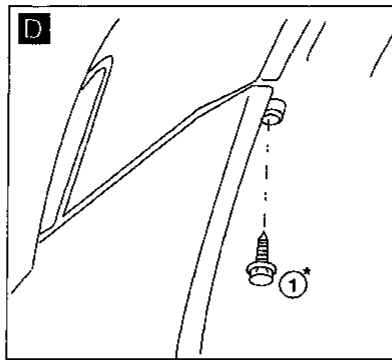
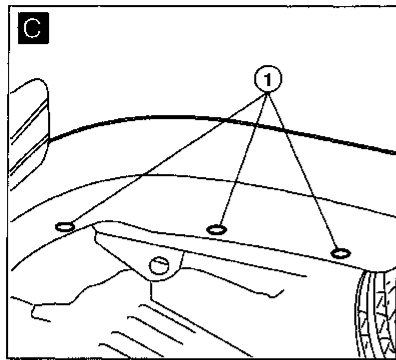


: Lubricate with grease

: N-m (kg-m, ft-lb)

BODY END

Body Front End (Cont'd)



*: Bumper assembly mounting bolts, screws, nuts, and clips

: N·m (kg·m, in·lb)

: N·m (kg·m, ft·lb)

GI
MA
EM
LC
EC
FE
CL
MT
AT
FA
RA
BR
ST
RS
BT
HA
EL
IDX

NOTES

Body Rear End and Opener

- When removing or installing trunk lid, place a cloth or other padding on rear fender panels. This prevents vehicle body from being scratched. **GI**
- Bumper fascia is made of plastic. Do not use excessive force and be sure to keep oil away from it.
- Trunk lid adjustment: Adjust at hinge-trunk lid portion for proper trunk lid fit.
- Trunk lid lock system adjustment: Adjust striker so that it is in the center of the lock. After adjustment, check trunk lid lock operation. **MA**
- Opener cable: Do not attempt to bend cable forcibly.
- After installation, make sure that trunk lid and fuel filler lid open smoothly. **EM**

REMOVAL — Rear bumper assembly

- ① Remove screws securing bumper fascia to rear fender. **G** **LC**
- ② Remove clips securing bumper fascia to rear fender. **H**
- ③ Remove clips securing bumper fascia to bumper reinforcement. **I** **EC**
- ④ Remove clips securing bumper fascia to rear panel. **J**
- ⑤ Remove bumper fascia and energy absorber from vehicle.
- ⑥ Remove both parts of bumper reinforcement from bumper stays. **K** **FE**
- ⑦ Reposition trunk floor carpet to access trunk floor.
- ⑧ Remove plugs from floor and then remove bumper stay mount bolts. **L**
- ⑨ Remove bumper stays from vehicle. **CL**

MT

AT

FA

RA

BR

ST

RS

BT

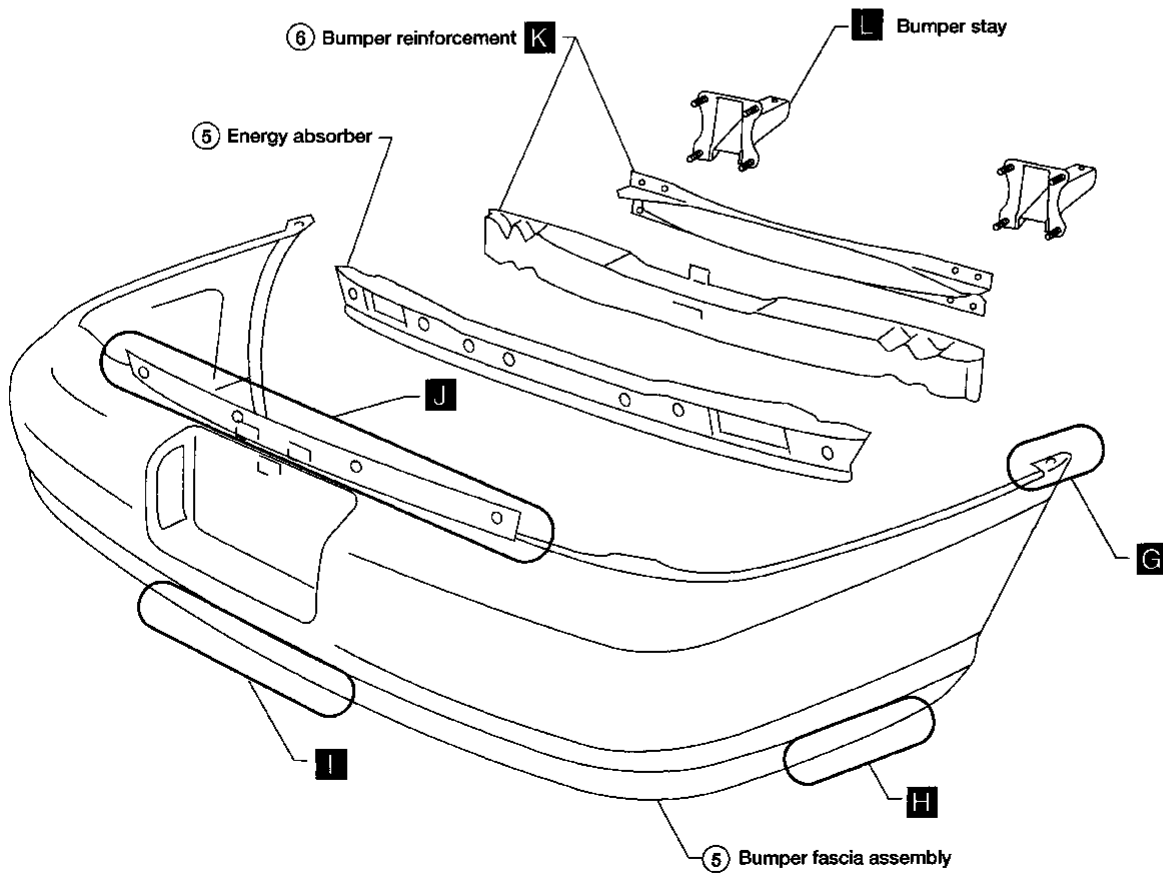
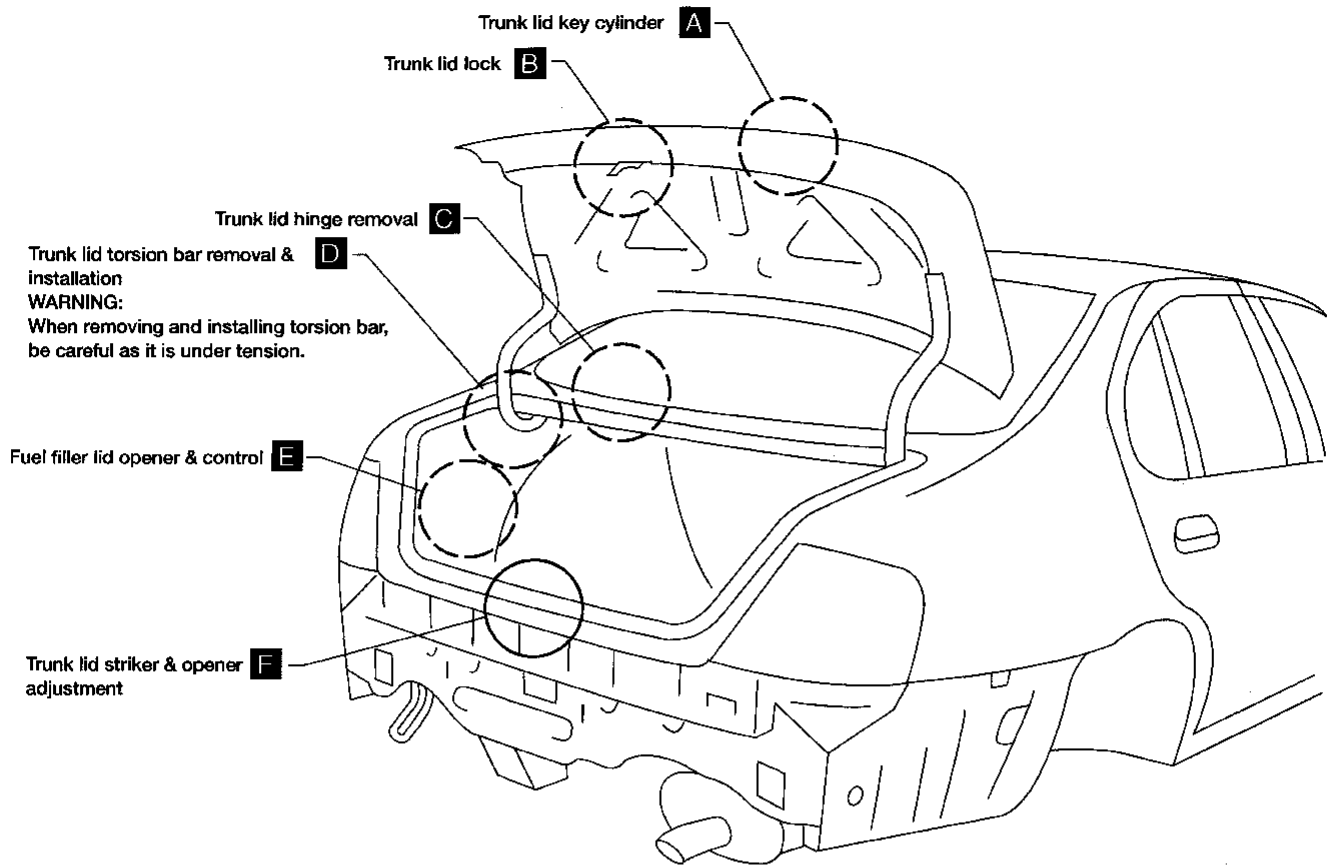
HA

EL

IDX

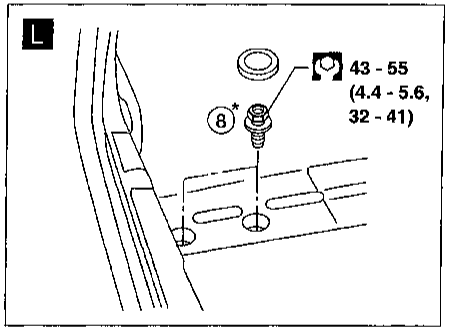
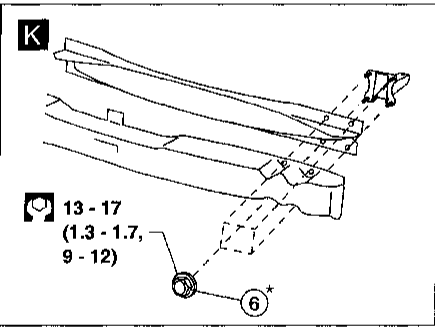
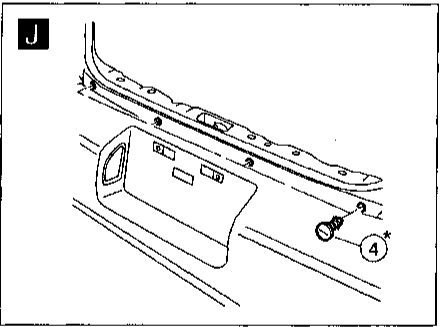
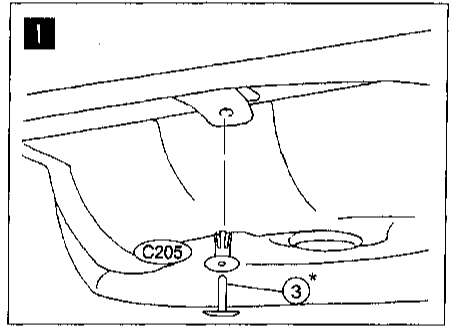
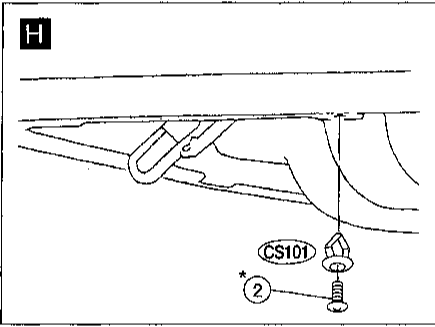
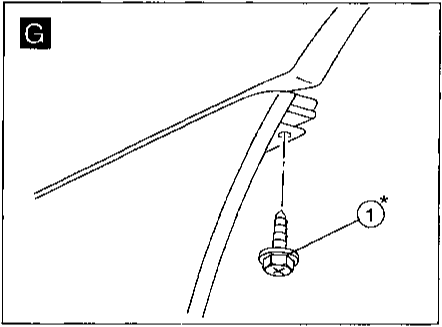
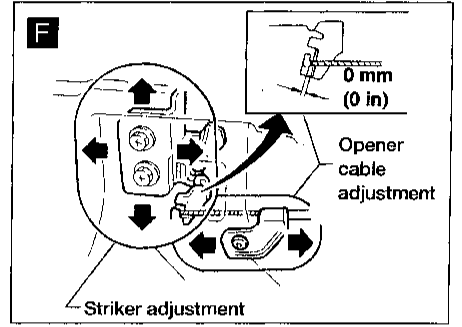
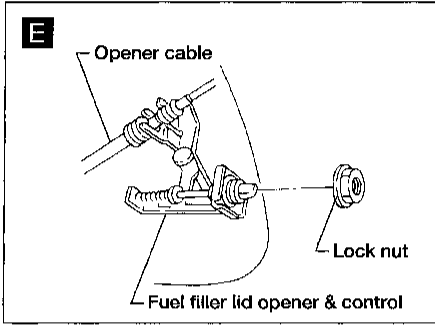
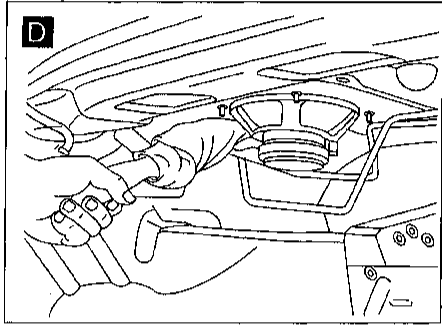
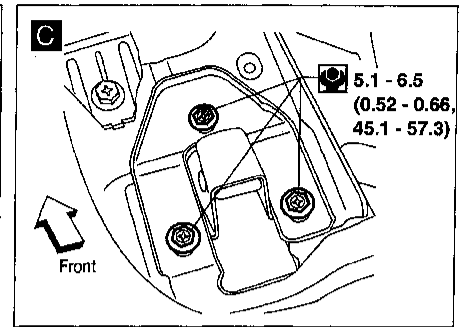
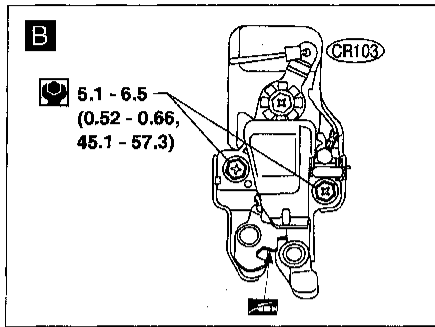
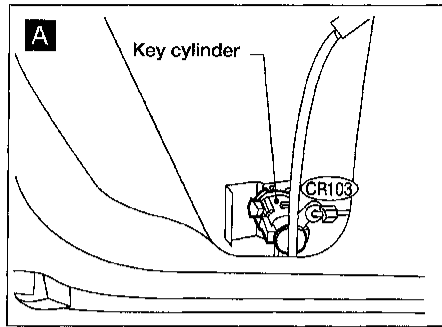
BODY END

Body Rear End and Opener (Cont'd)



BODY END

Body Rear End and Opener (Cont'd)



* : Bumper assembly mounting bolts, screws, nuts, and clips

- : N-m (kg-m, in-lb)
- : N-m (kg-m, ft-lb)
- : Lubricate with grease

GI
 MA
 EM
 LC
 EC
 FE
 CL
 MT
 AT
 FA
 RA
 BR
 ST
 RS
 BT
 HA
 EL
 IDX

BODY END

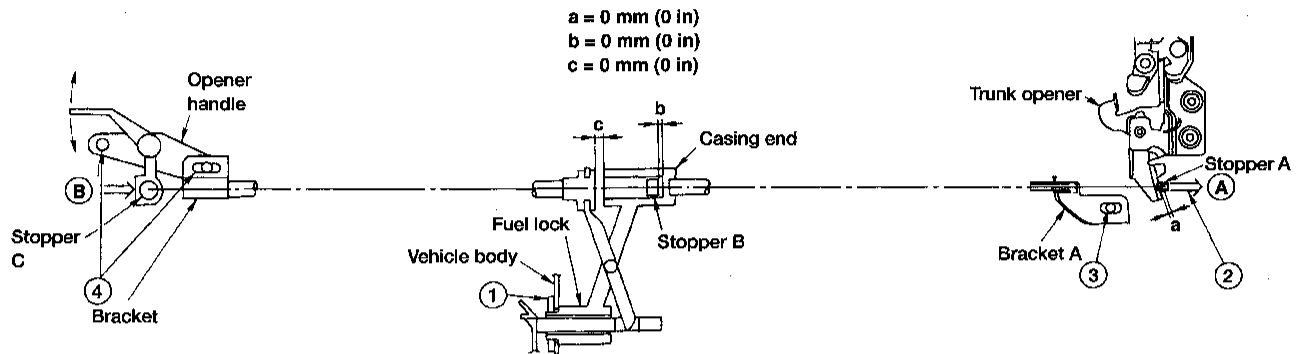
Body Rear End and Opener (Cont'd)

Trunk lid and fuel filler lid opener installation

Installation (Refer to figure below)

- ① Temporarily route cable and secure fuel lock to vehicle body.
- ② Lightly pull stopper A (at cable end) in direction (A) to eliminate clearance b between stopper B and casing end.
- ③ Secure bracket A to vehicle body so that clearance a between stopper A and trunk striker is 0 mm (0 in). (At this point, do not pull striker lever.)
- ④ Attach stopper C to handle. While lightly pushing cable in direction (B) shown by arrow (do not allow any clearance c at lock casing end to occur), secure handle to vehicle body.

Ensure that clearances a and b are eliminated after installation.



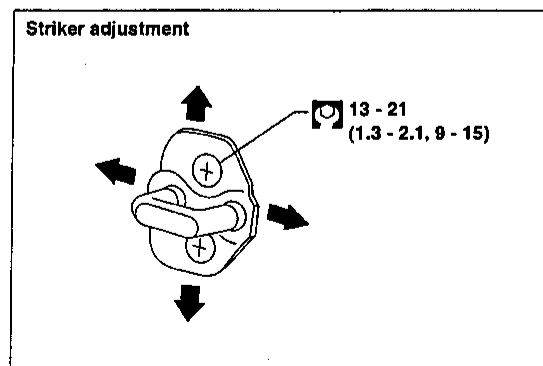
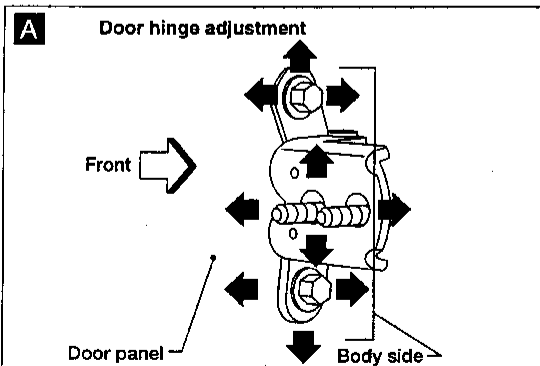
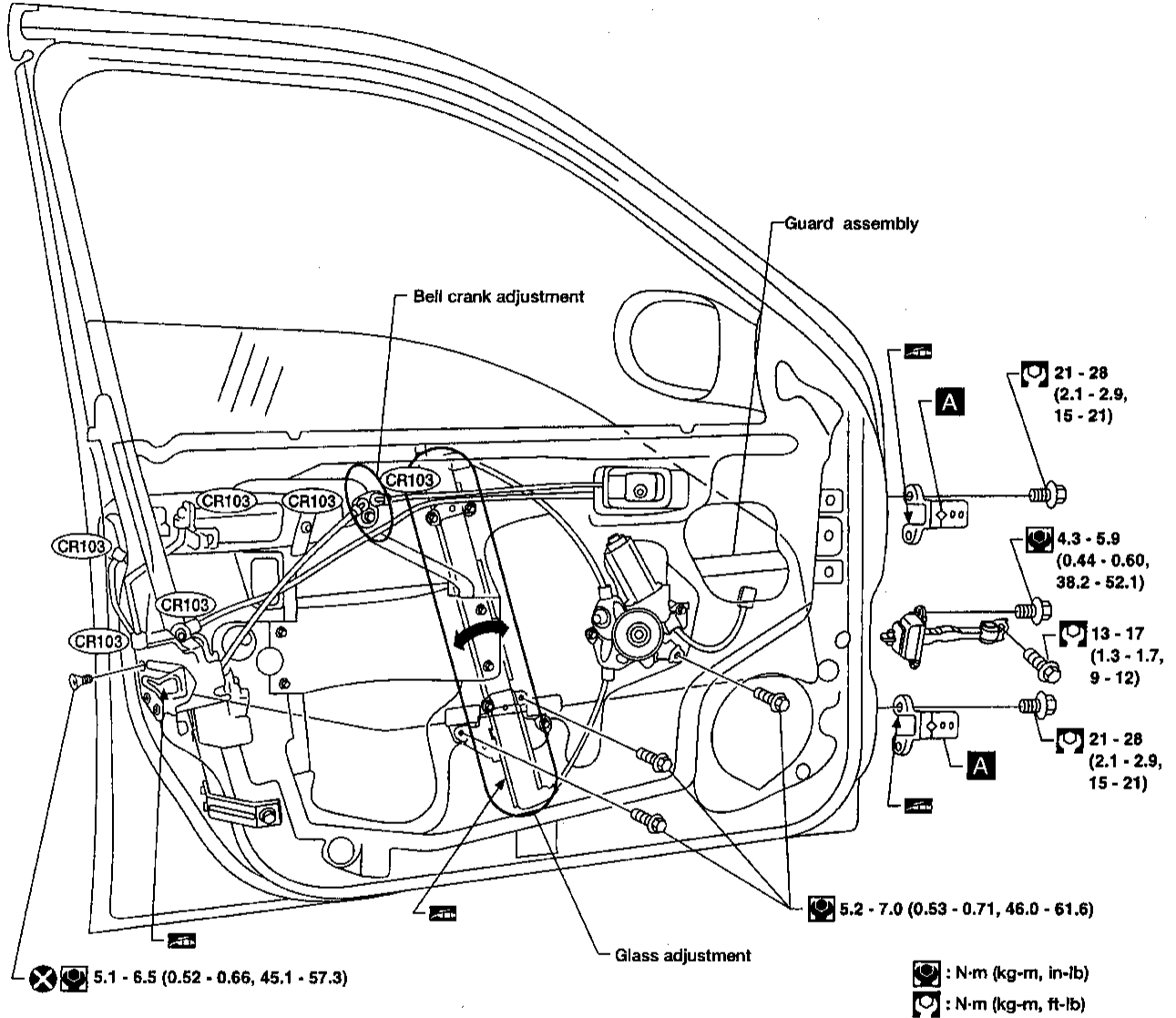
ABT267

DOOR

- For removal of door trim, refer to "Door Trim", (BT-23).
- When removing door, be sure not to scratch vehicle body.
- After adjusting door or door lock, check door lock operation.
- When disassembling rear door window, it is better to remove upper and waist roller mounting first.

Front Door

SEC. 800•803•805



GI

MA

EM

LC

EC

FE

CL

MT

AT

FA

RA

BR

ST

RS

BT

HA

EL

IDX

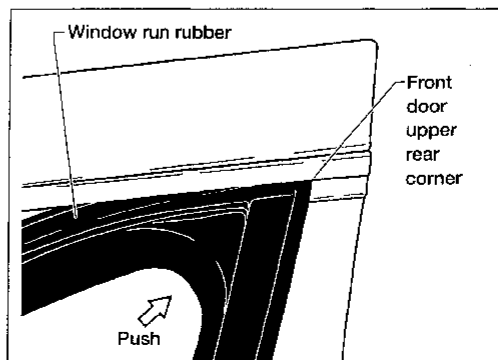
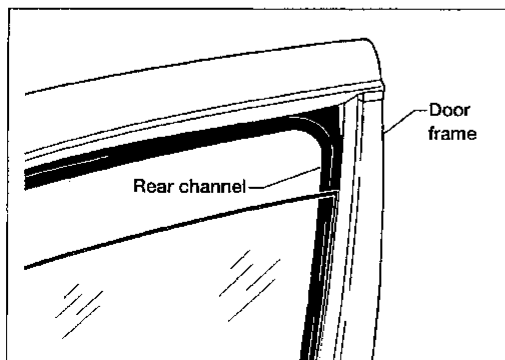
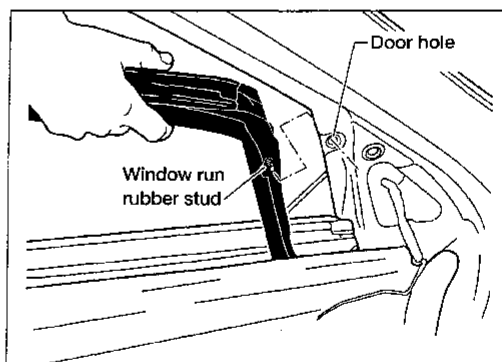
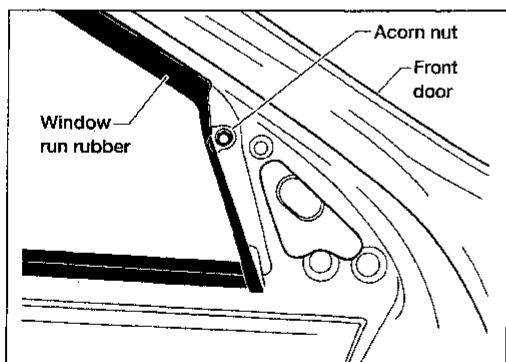
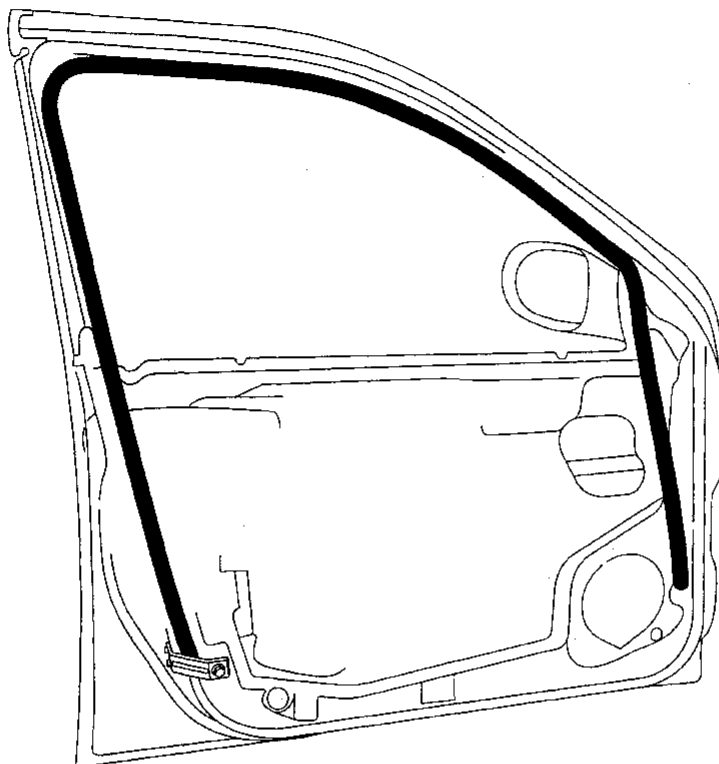
ABT268

DOOR

Front Door (Cont'd)

- Remove the inside "Door Trim", (BT-23).
- Remove the inside door plastic vapor barrier.
- Remove the window glass.
- Remove the acorn nut and bolts that attach the window run rubber assembly.
- Remove the window run rubber assembly.

SEC. 800 • 803 • 805

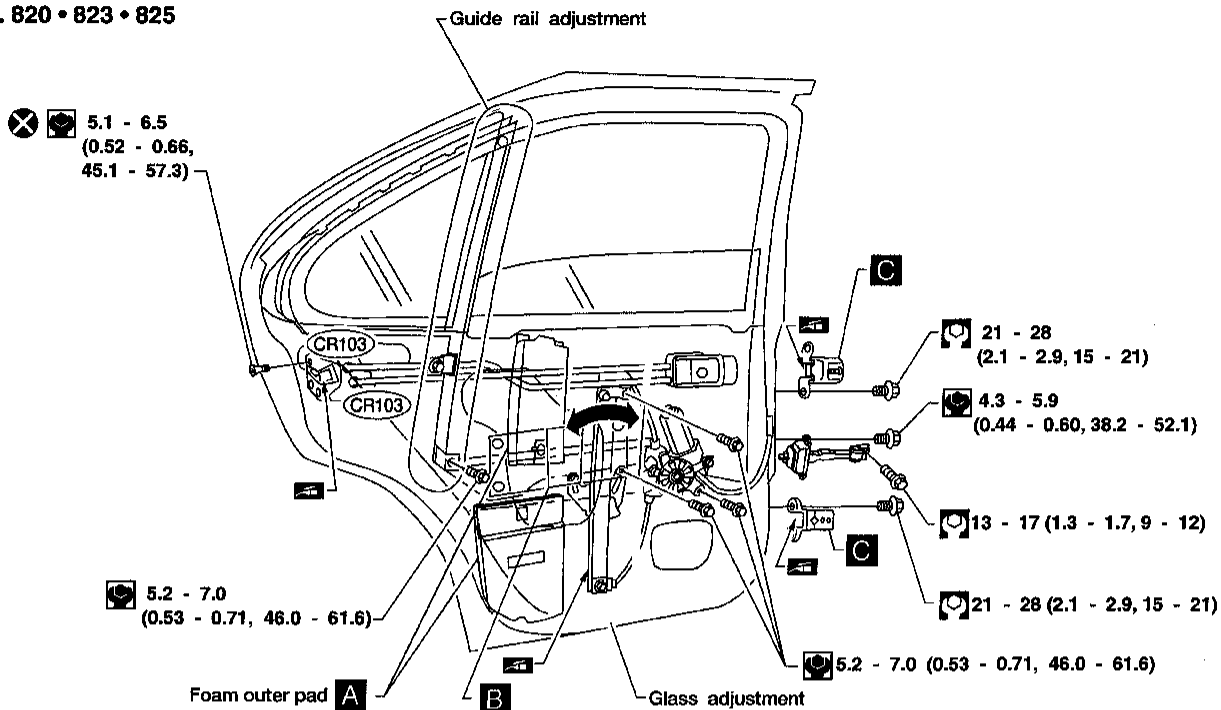


ABT407

DOOR

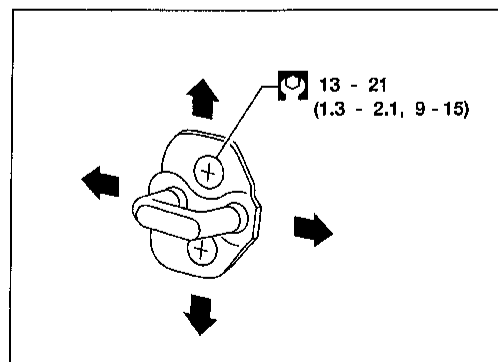
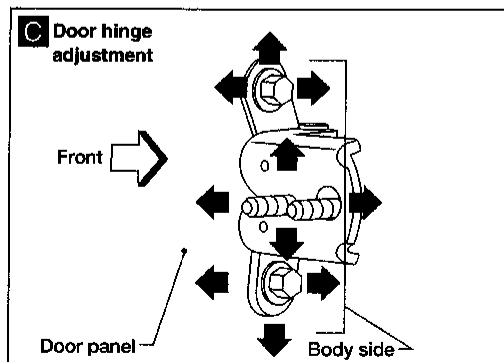
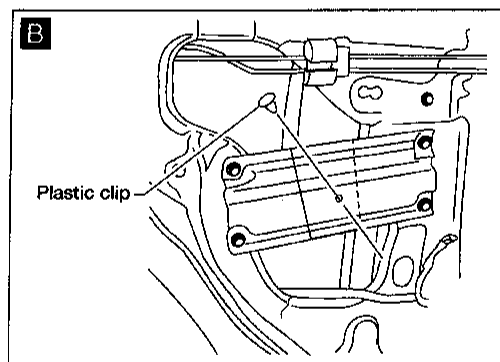
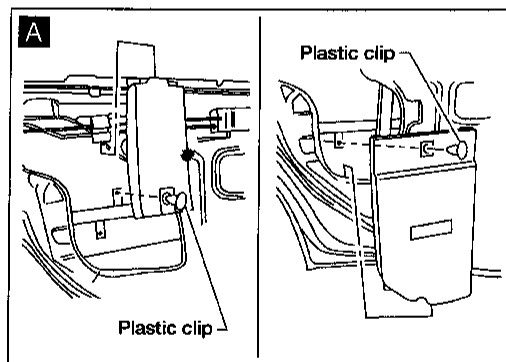
Rear Door

SEC. 820 • 823 • 825



- A**
- Visually inspect for damage (i.e., cracks), replace if any damage is present.
 - Always reinstall if removed.

- : N·m (kg·m, in·lb)
- : N·m (kg·m, ft·lb)



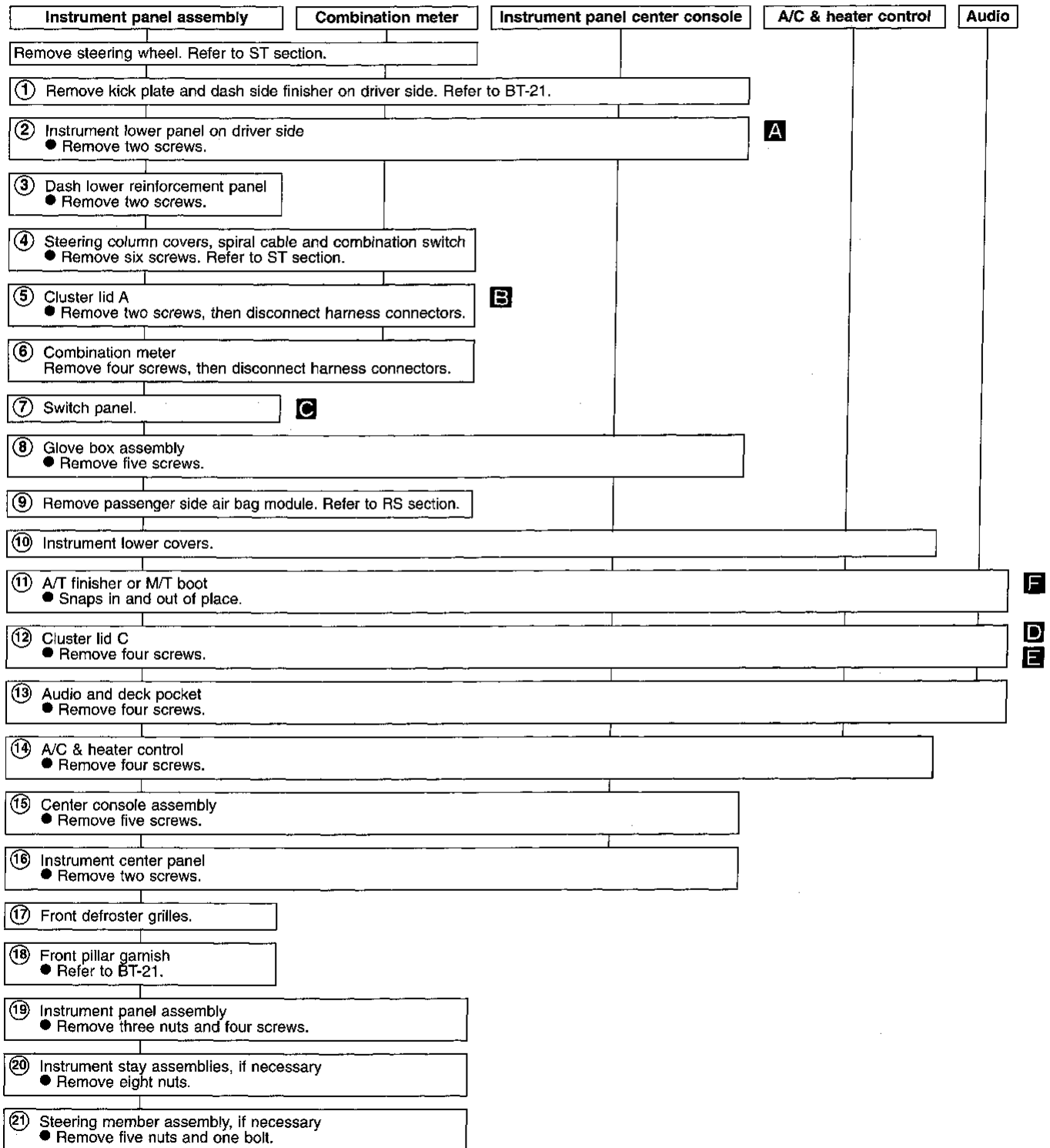
GI
MA
EM
LC
EC
FE
CL
MT
AT
FA
RA
BR
ST
RS
BT
HA
EL
IDX

INSTRUMENT PANEL

CAUTION:

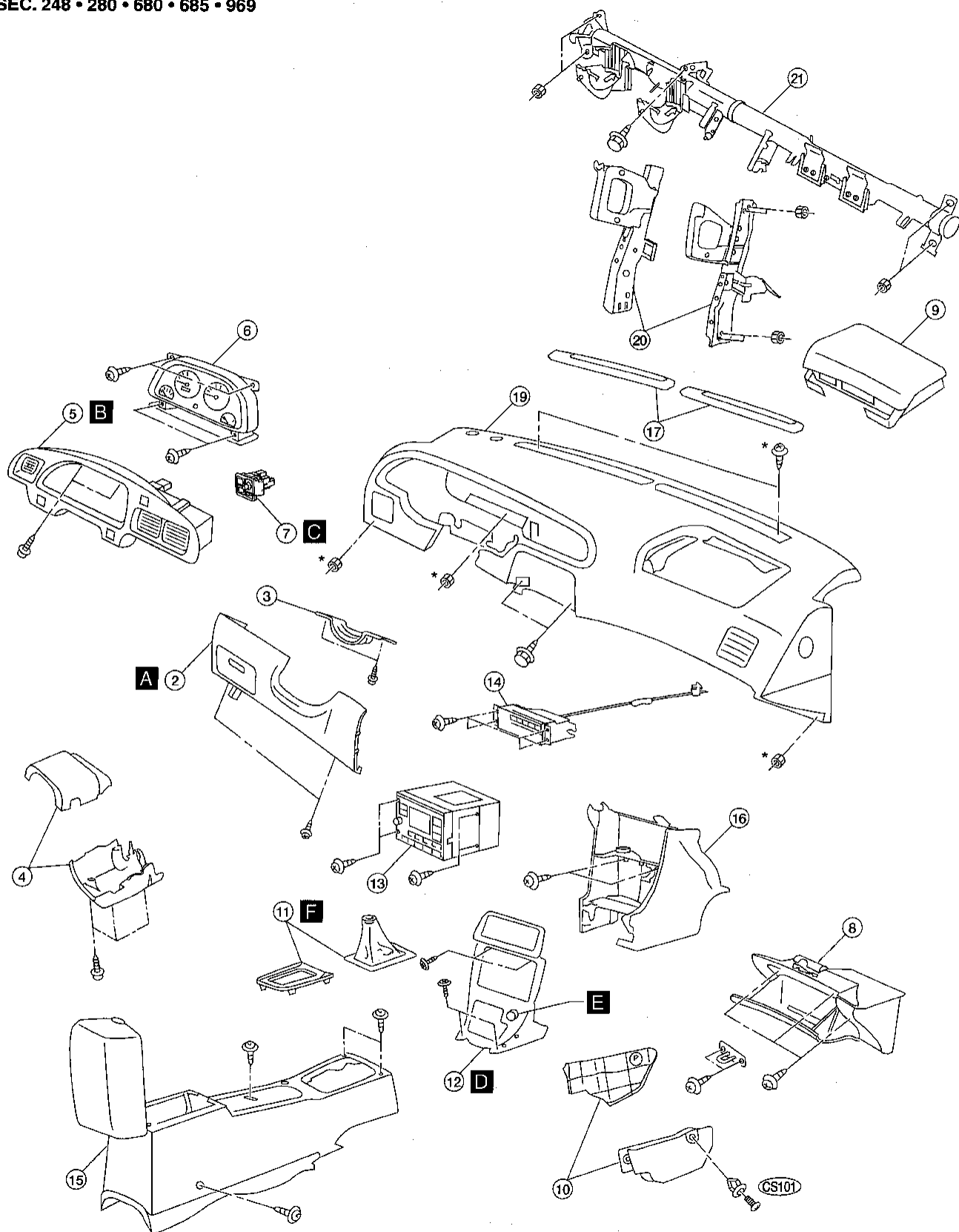
- Disconnect both terminals from battery in advance.
- Disconnect air bag module connectors in advance.
- Never tamper with or force air bag lid open, as this may adversely affect air bag performance.
- Be careful not to scratch finishers and other parts.

REMOVAL — Instrument panel assembly



INSTRUMENT PANEL

SEC. 248 • 280 • 680 • 685 • 969

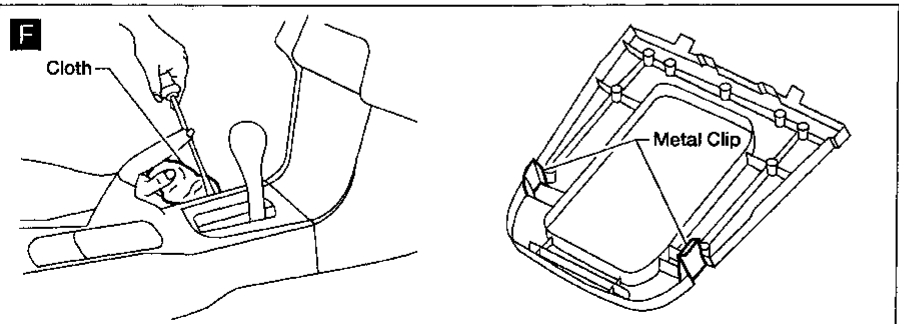
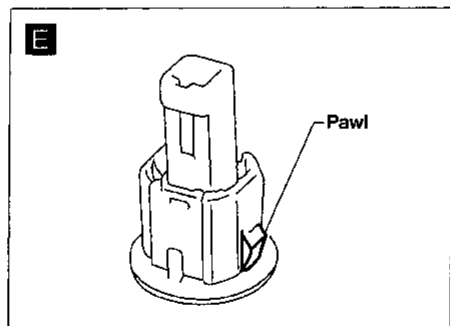
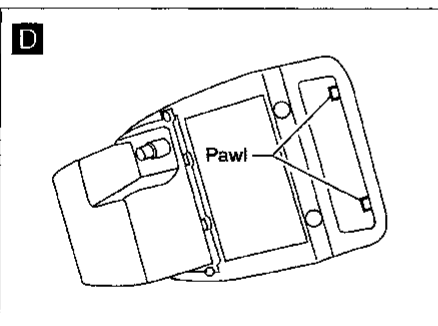
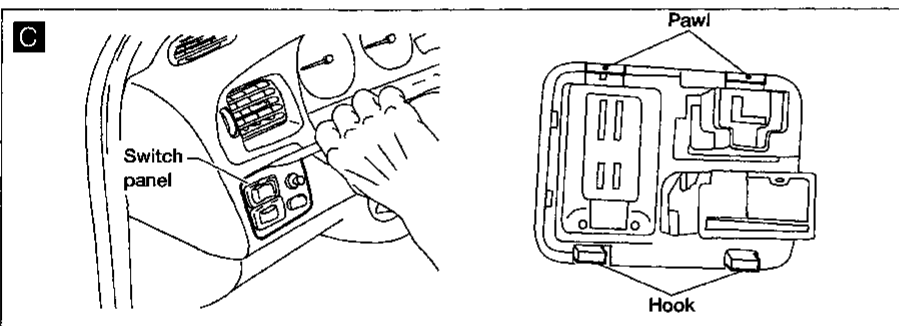
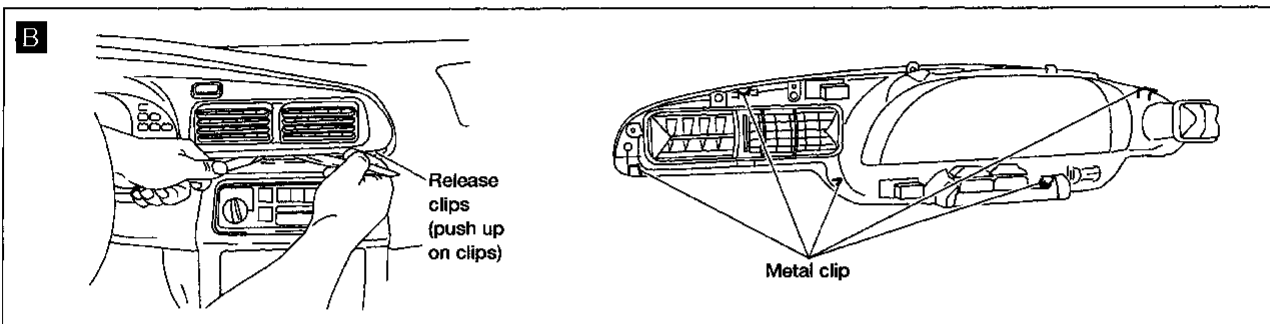
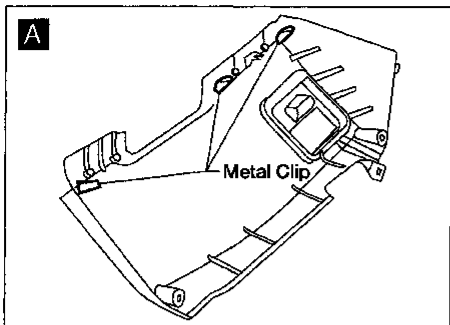


CI
MA
EM
LC
EC
FE
CL
MT
AT
FA
RA
BR
ST
RS
BT
HA
EL
IDX

* : Instrument panel assembly mounting bolts, screws and nuts.

ABT250

INSTRUMENT PANEL



INTERIOR TRIM

Side and Floor Trim

CAUTION:

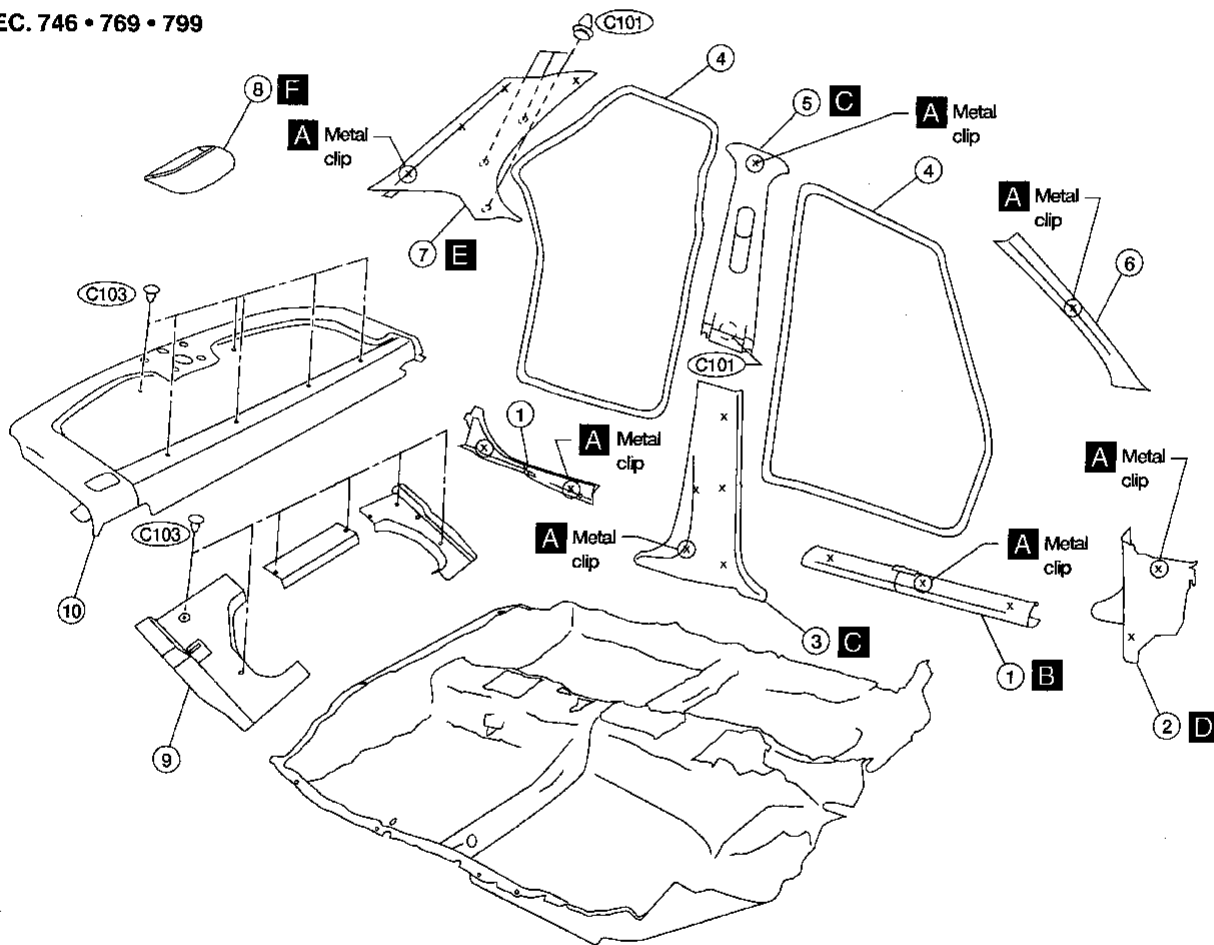
Wrap the tip of flat-bladed screwdriver with a cloth when removing metal clips from garnishes.

REMOVAL — Body side trim

Remove front and rear seats and seatbelts.

- ① Remove front and rear kick plates. **B**
- ② Remove dash side finisher. **D**
- ③ Remove center pillar lower garnish.
- ④ Remove front and rear body side welts.
- ⑤ Remove center pillar upper garnish.
- ⑥ Remove front pillar garnish.
- ⑦ Remove rear pillar garnish. **E**
- ⑧ Remove center high mount stop lamp. **F**
- ⑨ Remove rear seat finisher.
- ⑩ Remove rear parcel shelf.

SEC. 746 • 769 • 799

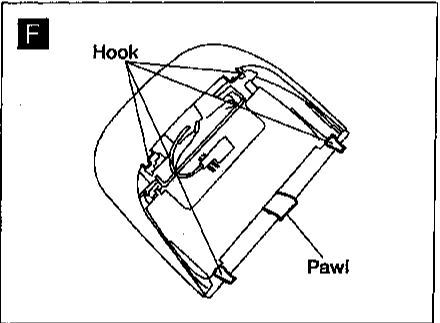
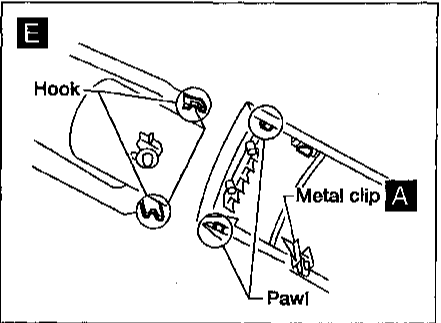
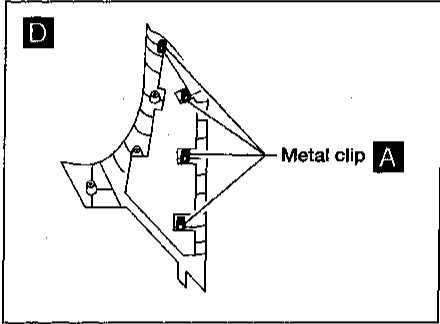
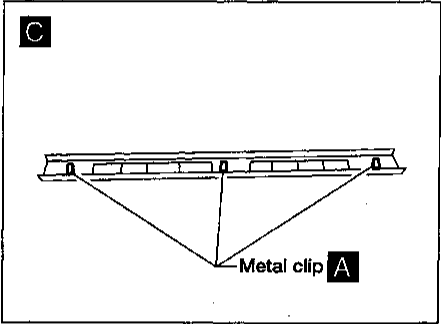
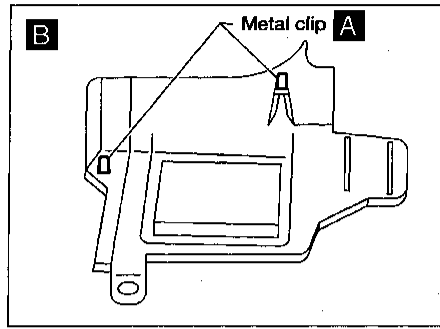
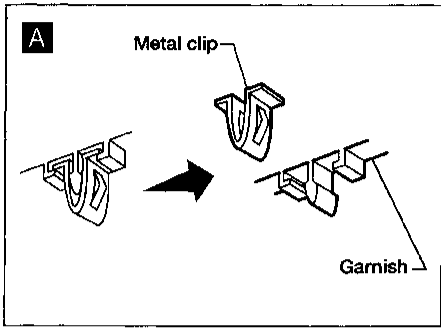


ABT366

GI
MA
EM
LC
EC
FE
CL
MT
AT
FA
RA
BR
ST
RS
BT
HA
EL
IDX

INTERIOR TRIM

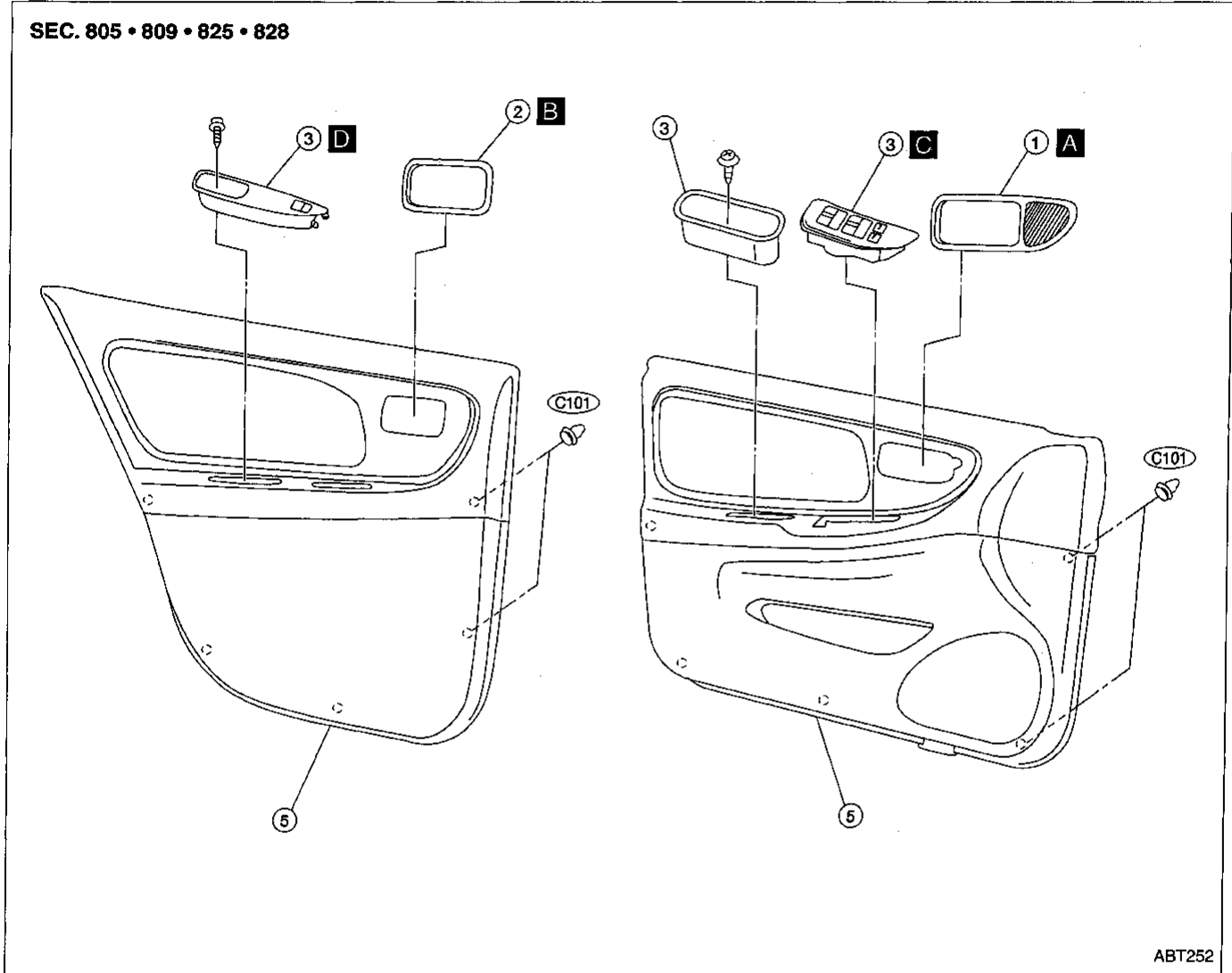
Side and Floor Trim (Cont'd)



Door Trim

DOOR TRIM REMOVAL — Door trim

- ① Remove inside handle escutcheon. Refer to BT-15. **A** , **B**
- ② Remove pull handle (driver door only).
- ③ Remove power window switch finisher. **C** , **D**
- ④ Remove clips securing door finisher.
- ⑤ Lift out door finisher.



ABT252

GI

MA

EM

LC

EC

FE

CL

MT

AT

FA

RA

BR

ST

RS

BT

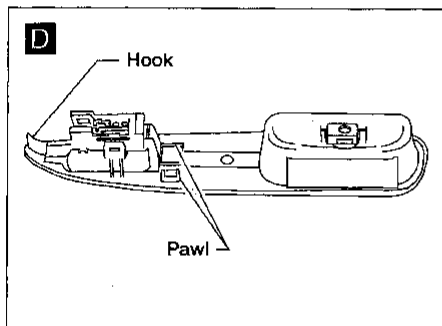
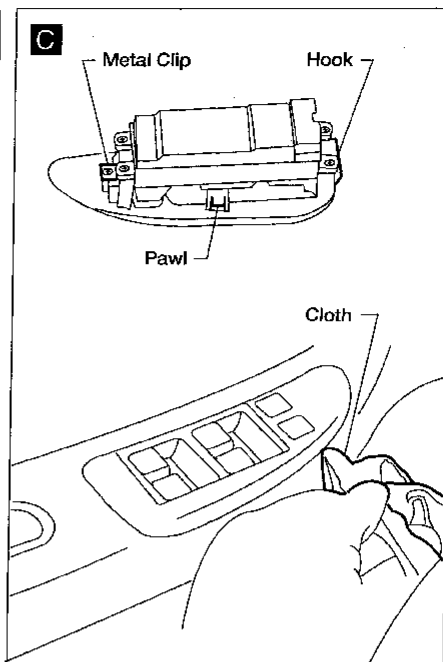
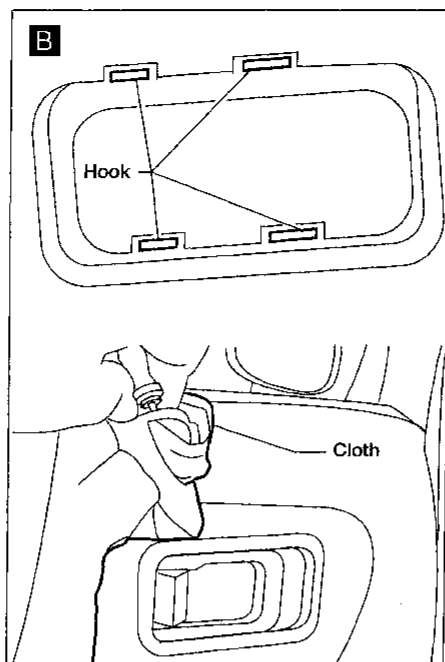
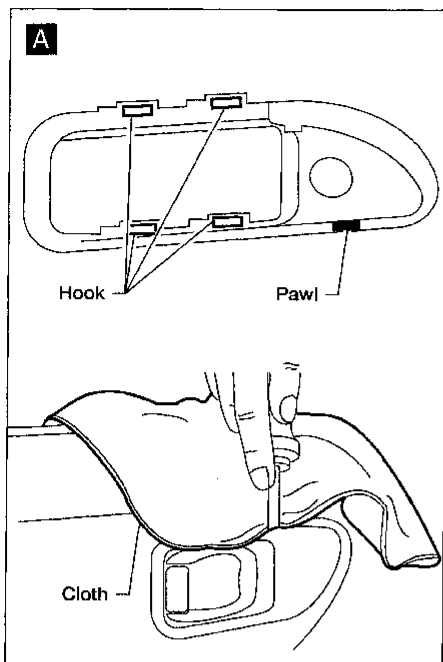
HA

EL

IDX

INTERIOR TRIM

Door Trim (Cont'd)



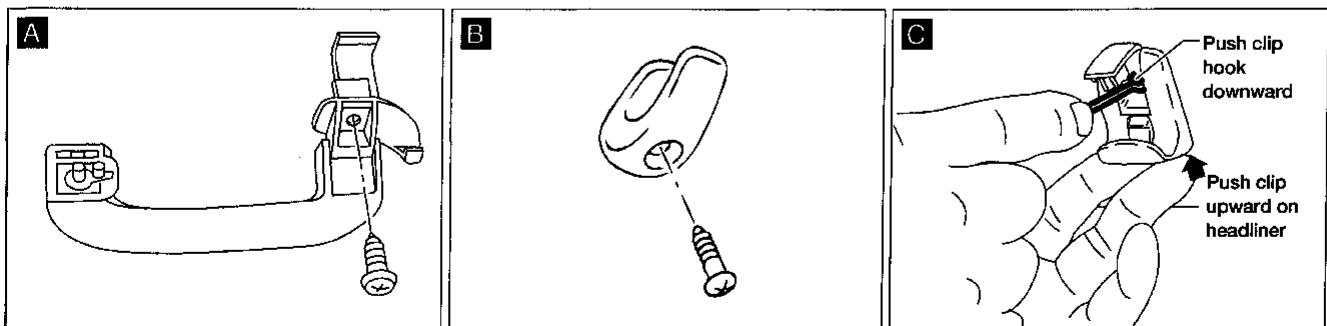
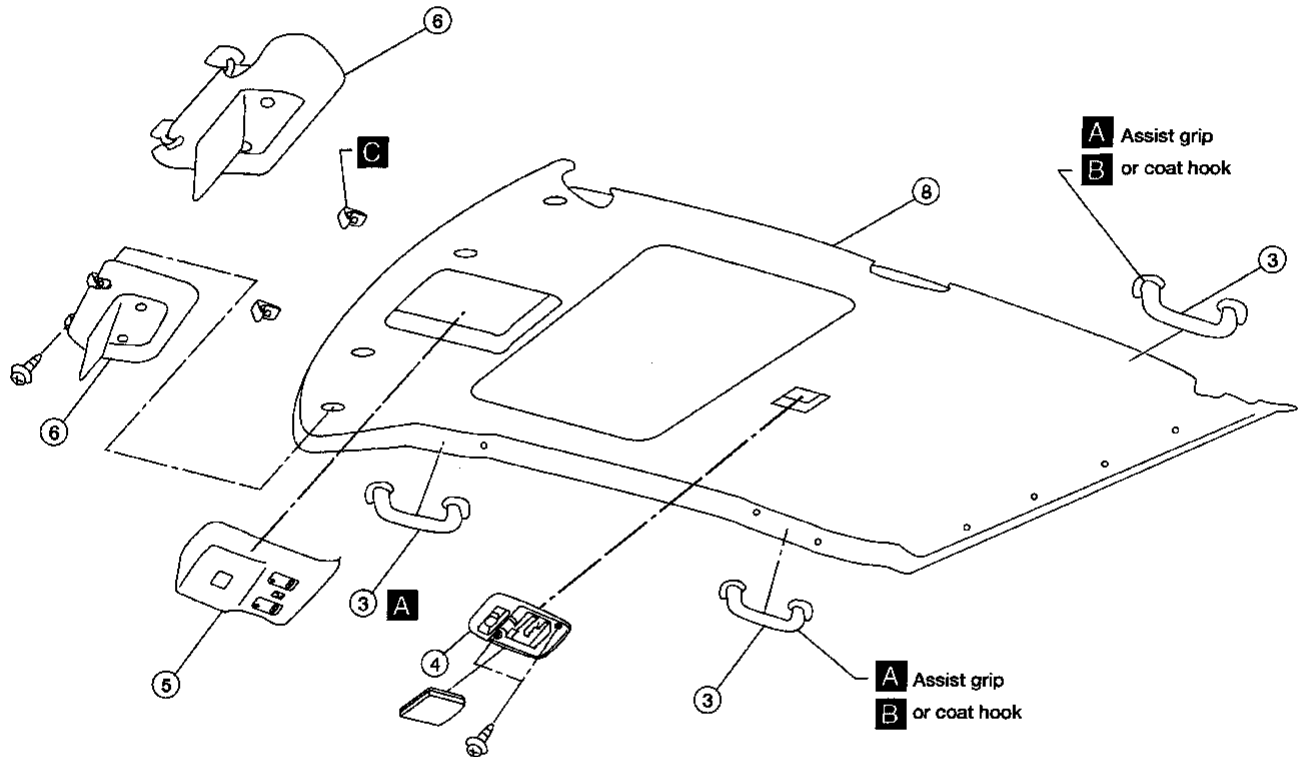
INTERIOR TRIM

Roof Trim

REMOVAL — Headlining

- ① Remove front seat belts.
- ② Remove front and rear kick plates, center pillar lower garnish, and body side welts. Refer to BT-21.
- ③ Remove assist grips (Models equipped with sunroof) or coathooks.
- ④ Remove interior lamp.
- ⑤ Remove sunroof switch. (Models equipped with sunroof)
- ⑥ Remove sunvisors.
- ⑦ Remove front, center upper and rear pillar garnishes. Refer to BT-21.
- ⑧ Remove headlining.

SEC. 264 • 738 • 964



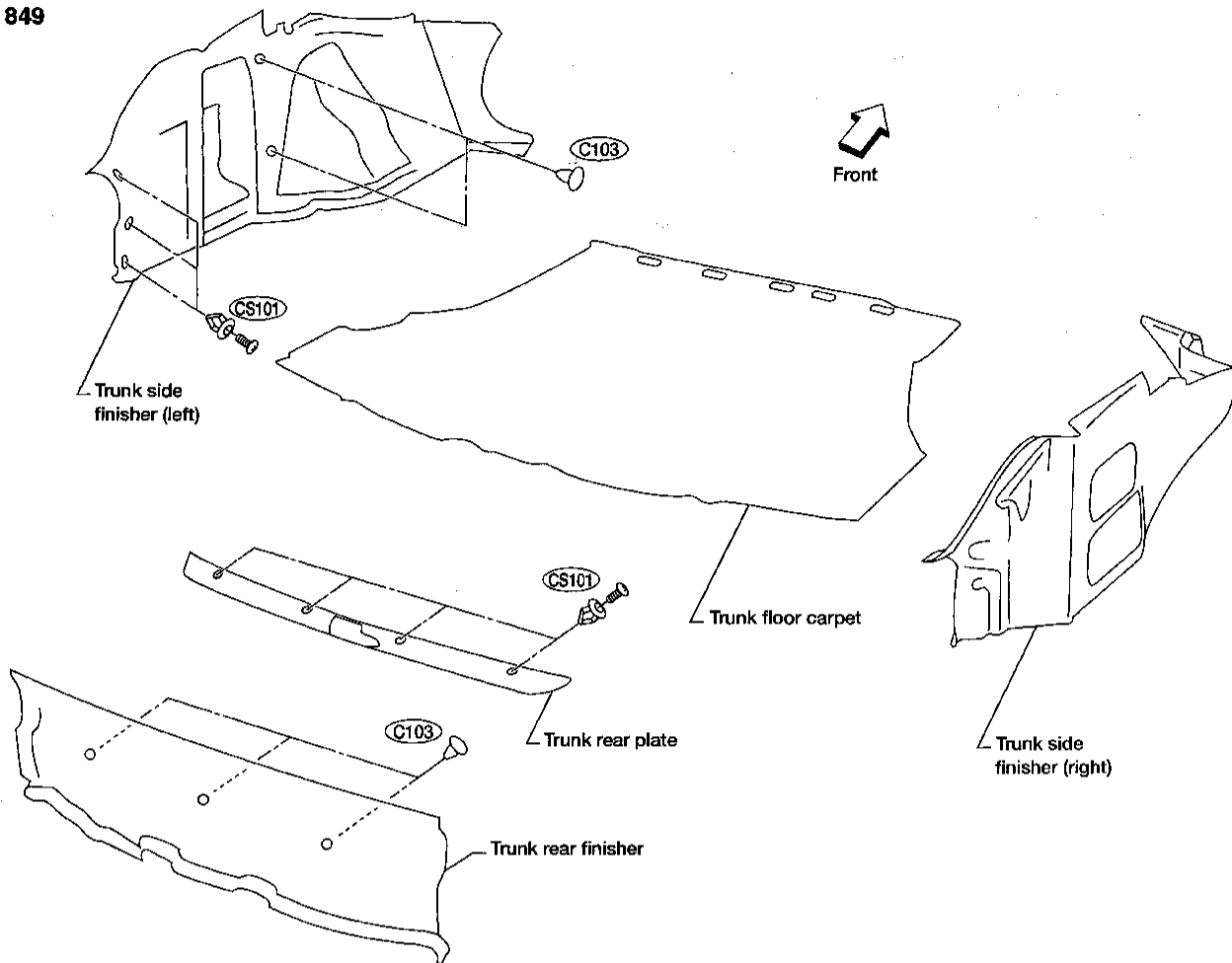
ABT368

GI
MA
EM
LC
EC
FE
CL
MT
AT
FA
RA
BR
ST
RS
BT
HA
EL
IDX

INTERIOR TRIM

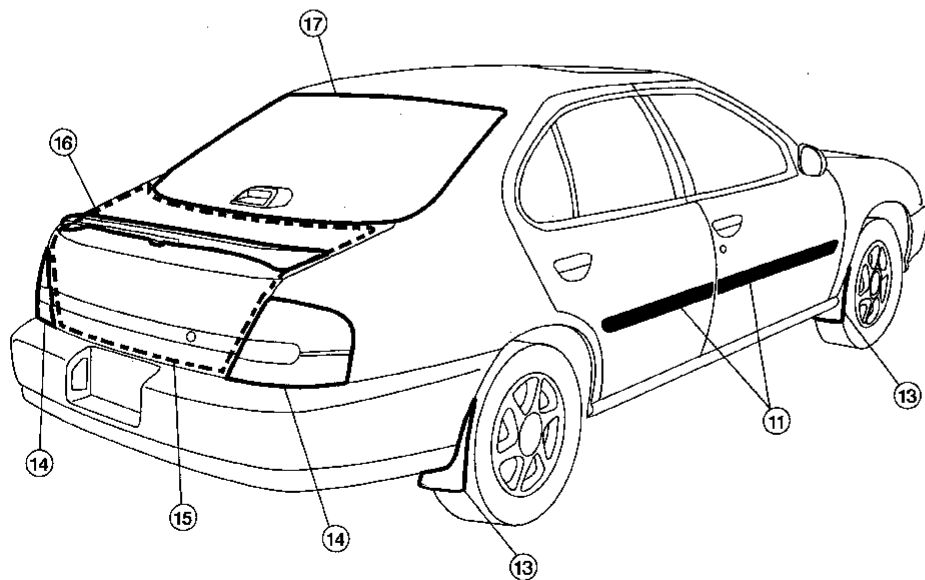
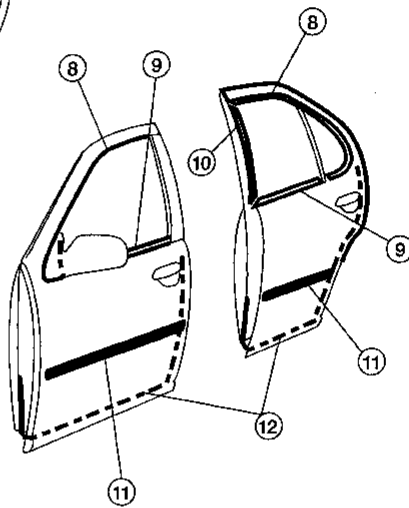
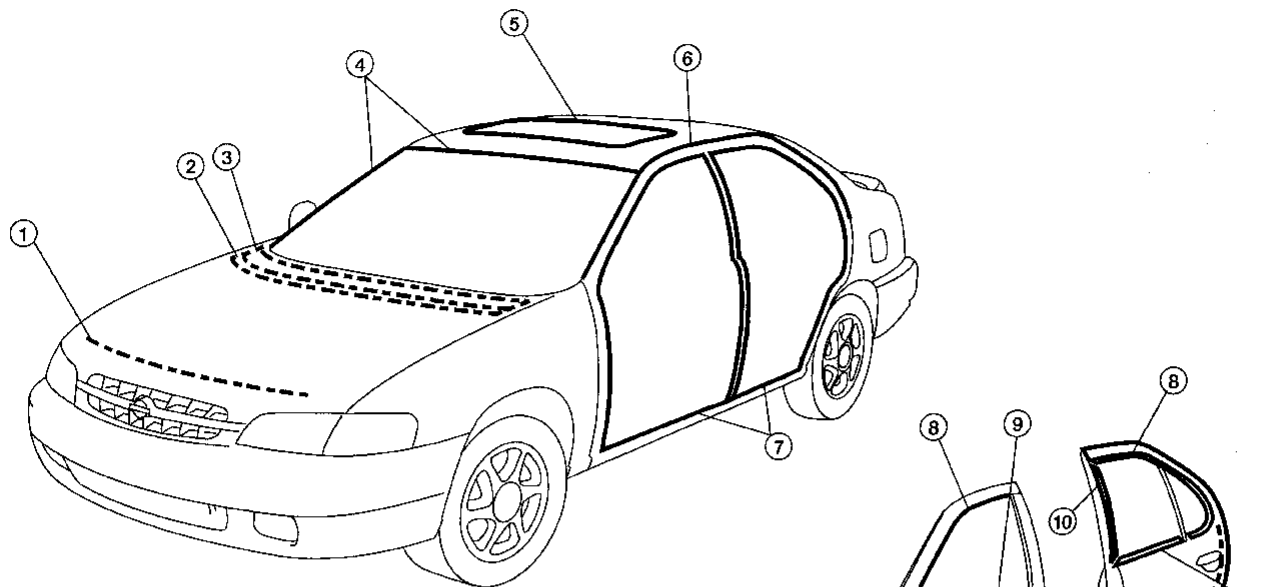
Luggage Room Trim

SEC. 849



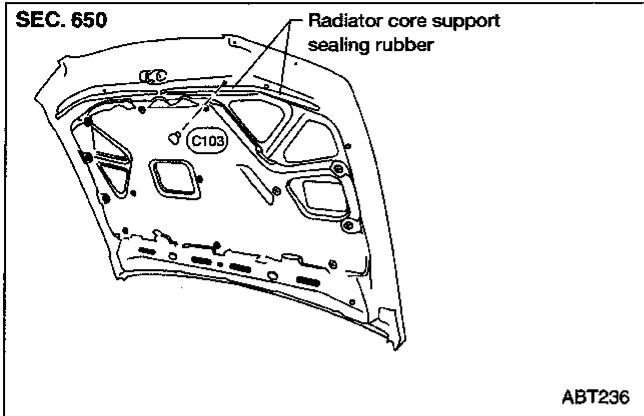
ABT254

EXTERIOR

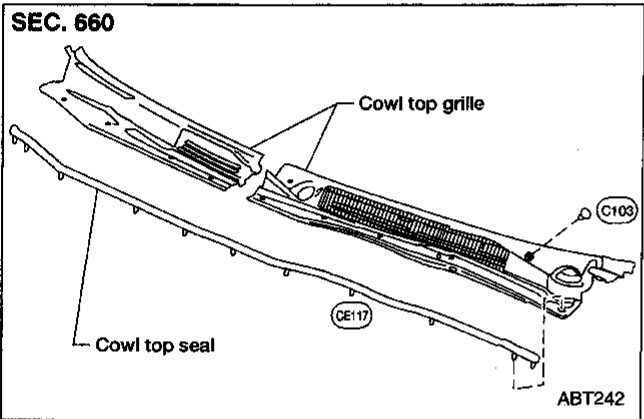


- GI
- MA
- EM
- LC
- EC
- FE
- CL
- MT
- AT
- FA
- RA
- BR
- ST
- RS
- BT**
- HA
- EL
- IDX

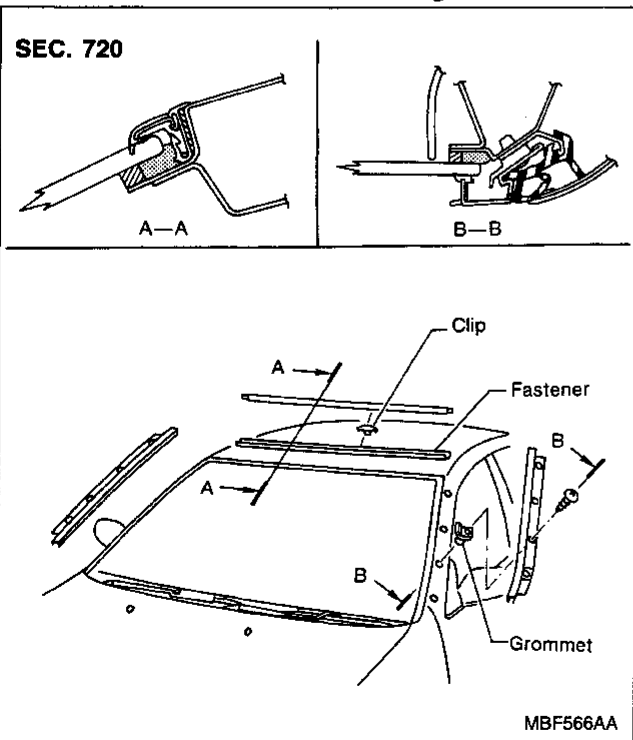
① Front hood insulator



②, ③ Cowl top grille and cowl top seal



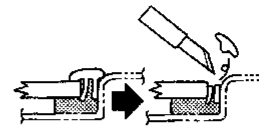
④ Front windshield molding



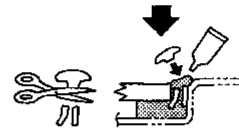
④ Windshield upper and side molding

Method 1

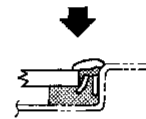
Cut off top portion of molding and clean glass and panel surfaces.



Apply urethane adhesive to top portion of molding.



Cut off lower portion of newer molding.

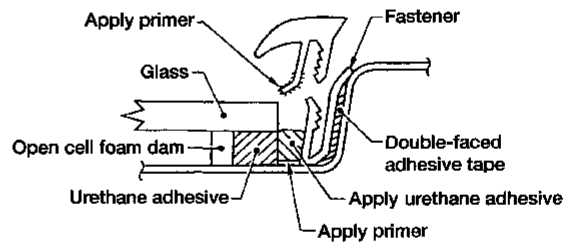


Finish well to give it a good appearance.

ABT273

Method 2

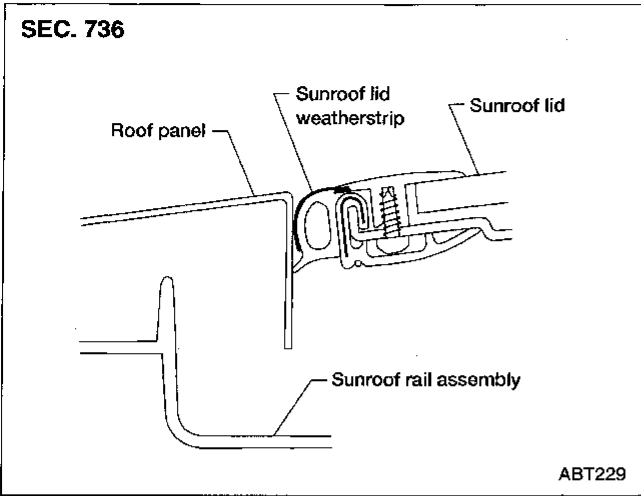
1. Cut off urethane adhesive at glass end.
2. Remove old urethane adhesive from panel surface.
3. Set molding fastener and apply urethane adhesive to body panel, and apply primer to molding and body.



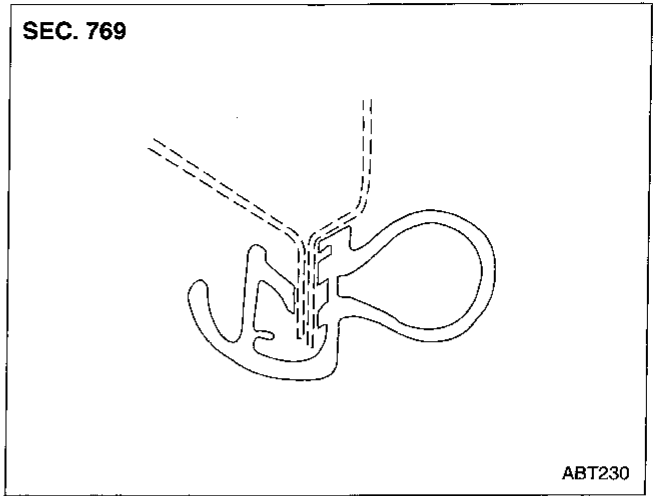
4. Install molding by aligning the molding mark located on center with vehicle center. Be sure to install tightly so that there is no gap around the corner.

ABT274

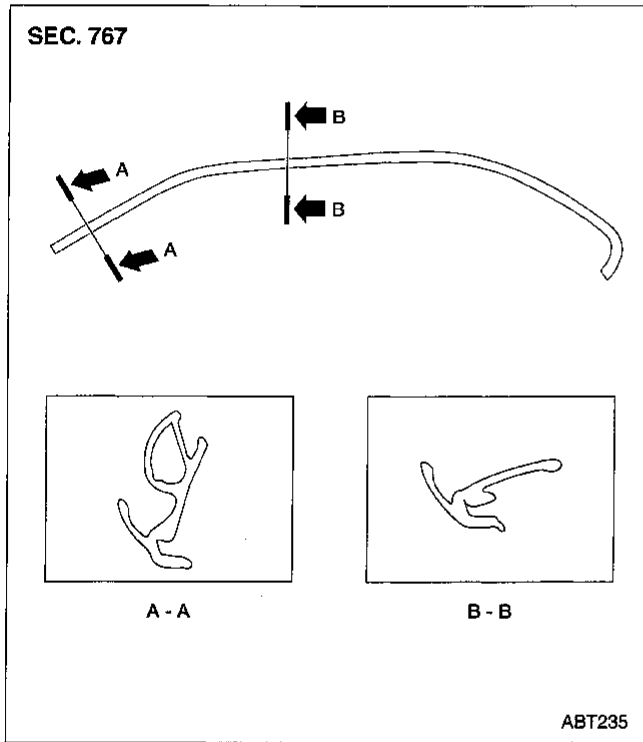
⑤ Sunroof lid weatherstrip



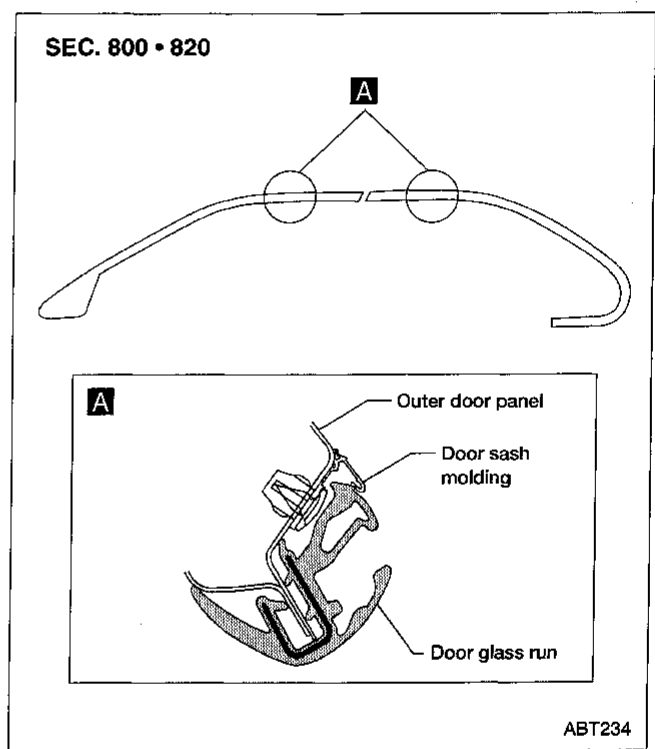
⑦ Body side welt



⑥ Body side drip weatherstrip

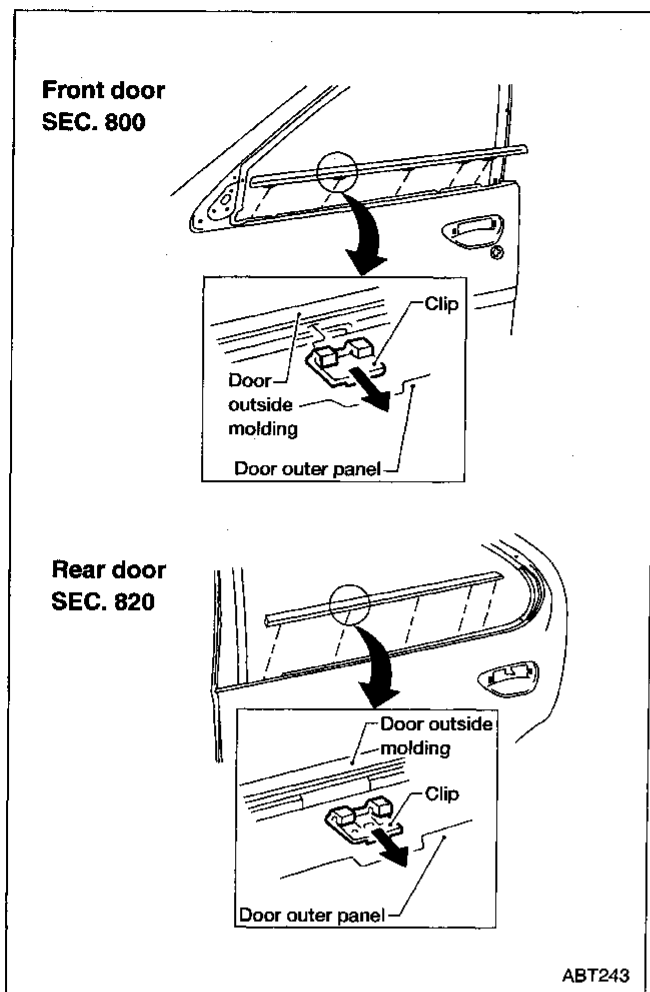


⑧ Door sash molding

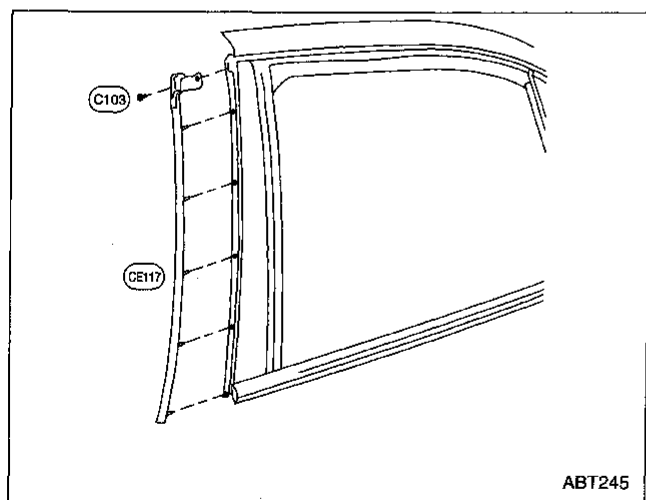


GI
MA
EM
LC
EC
FE
CL
MT
AT
FA
RA
BR
ST
RS
BT
HA
EL
IDX

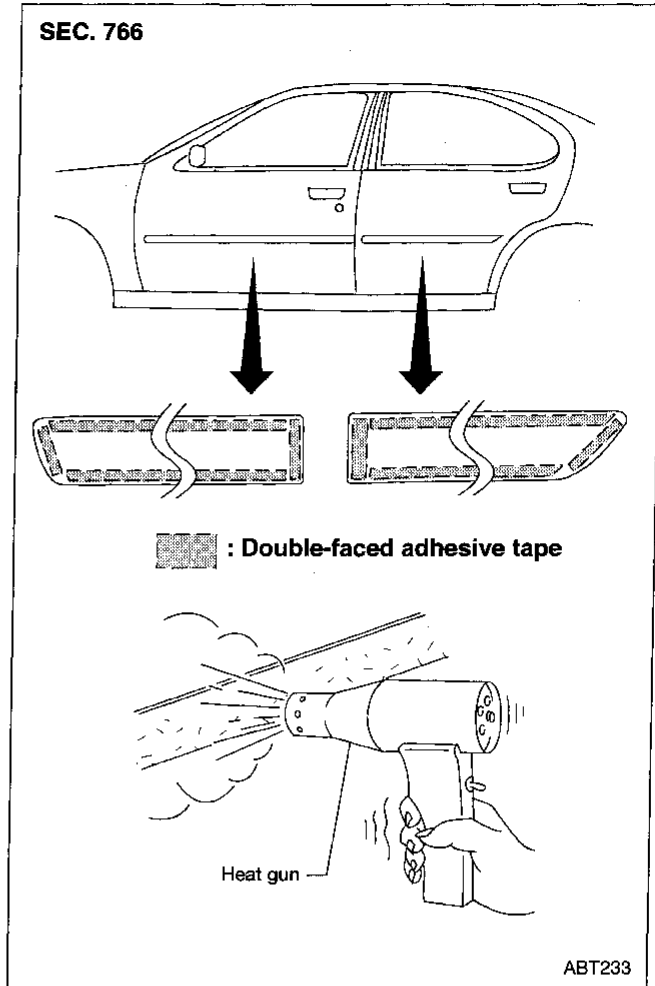
9 Door outside molding



10 Door parting seal



11 Side guard molding



- Original side guard molding is affixed to body panel with double-faced adhesive tape.
- The repair parts are also affixed with double-faced adhesive tape.

• Removal:

1. Heat molding portion to 30 to 40°C (86 to 104°F) with a heat gun.
2. Raise end of molding and, while cutting off bonding agent, detach molding.

• Installation:

1. Remove all traces of bonding agent from body panel. Then clean contact face of body.

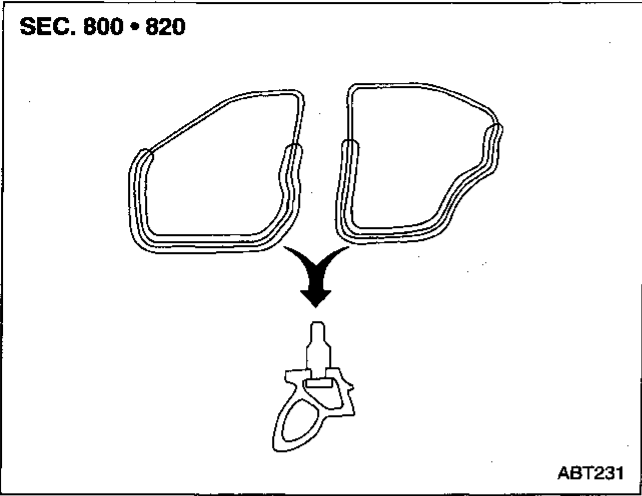
CAUTION:

Never apply tack-paper adhesive remover to body panel surface finished with lacquer-based paint.

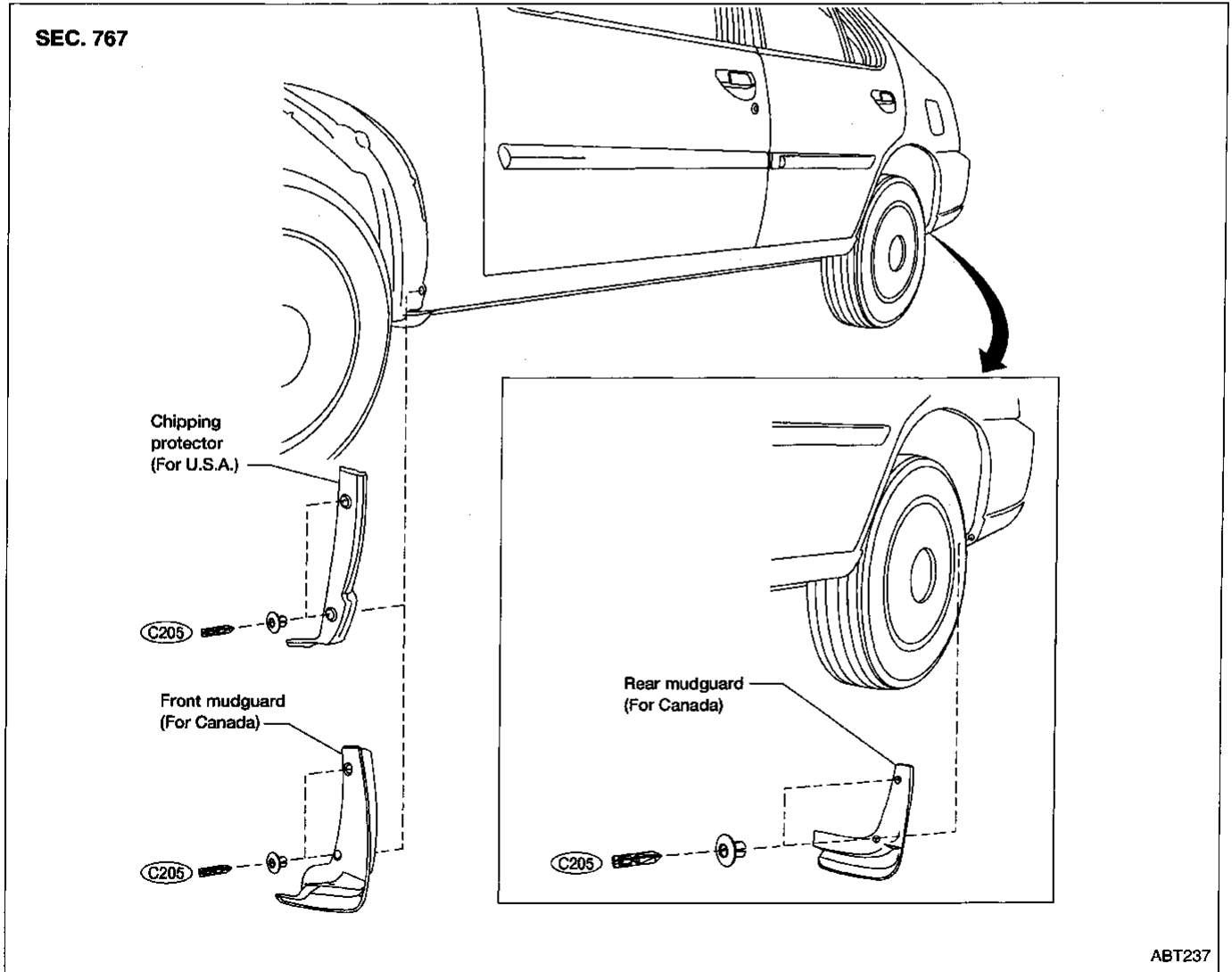
2. Heat body panel and molding to 30 to 40°C (86 to 104°F) with a heat gun. Then install molding.

- For vehicles coated with a Hard Clear Coat, use double-faced 3M adhesive tape Product No. 4210 or equivalent, after priming with 3M primer Product No. N-200 or C-100 or equivalent.

12 Door weatherstrip



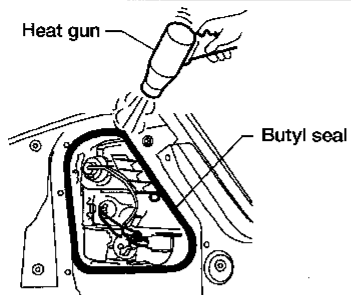
13 Mudguards



GI
MA
EM
LC
EC
FE
CL
MT
AT
FA
RA
BR
ST
RS
BT
HA
EL
IDX

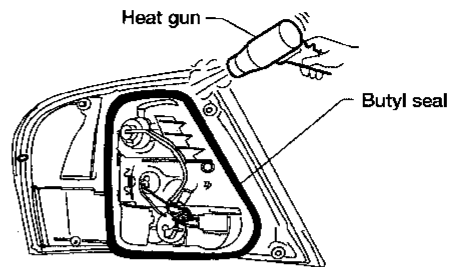
14 Rear combination lamp

SEC.265 Removal



- Warm up lamp assembly area to a temperature of a little below 60°C (140°F).

Installation

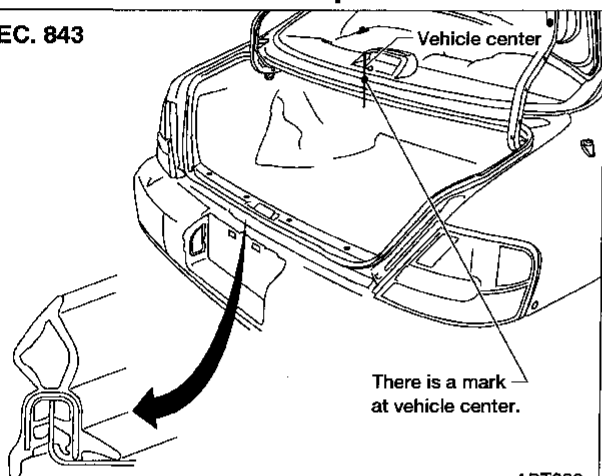


- Apply butyl seal evenly as it tends to become thin in the corners.
- Warm up lamp assembly area to a temperature of a little below 60°C (140°F).

ABT244

15 Trunk lid weatherstrip

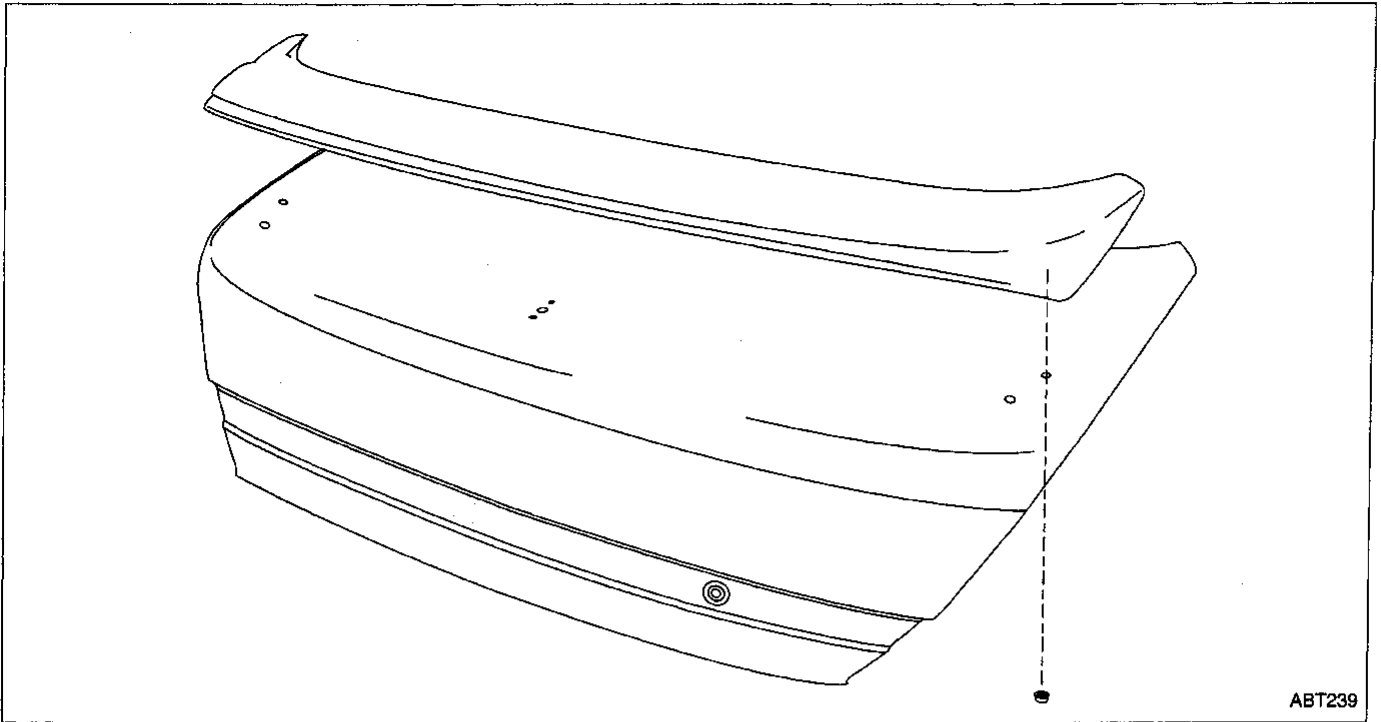
SEC. 843



There is a mark
at vehicle center.

ABT232

16 Rear air spoiler



17 Rear window molding

Refer to Windshield and Rear Window, BT-45

GI

MA

EM

LC

EC

FE

CL

MT

AT

FA

RA

BR

ST

RS

BT

HA

EL

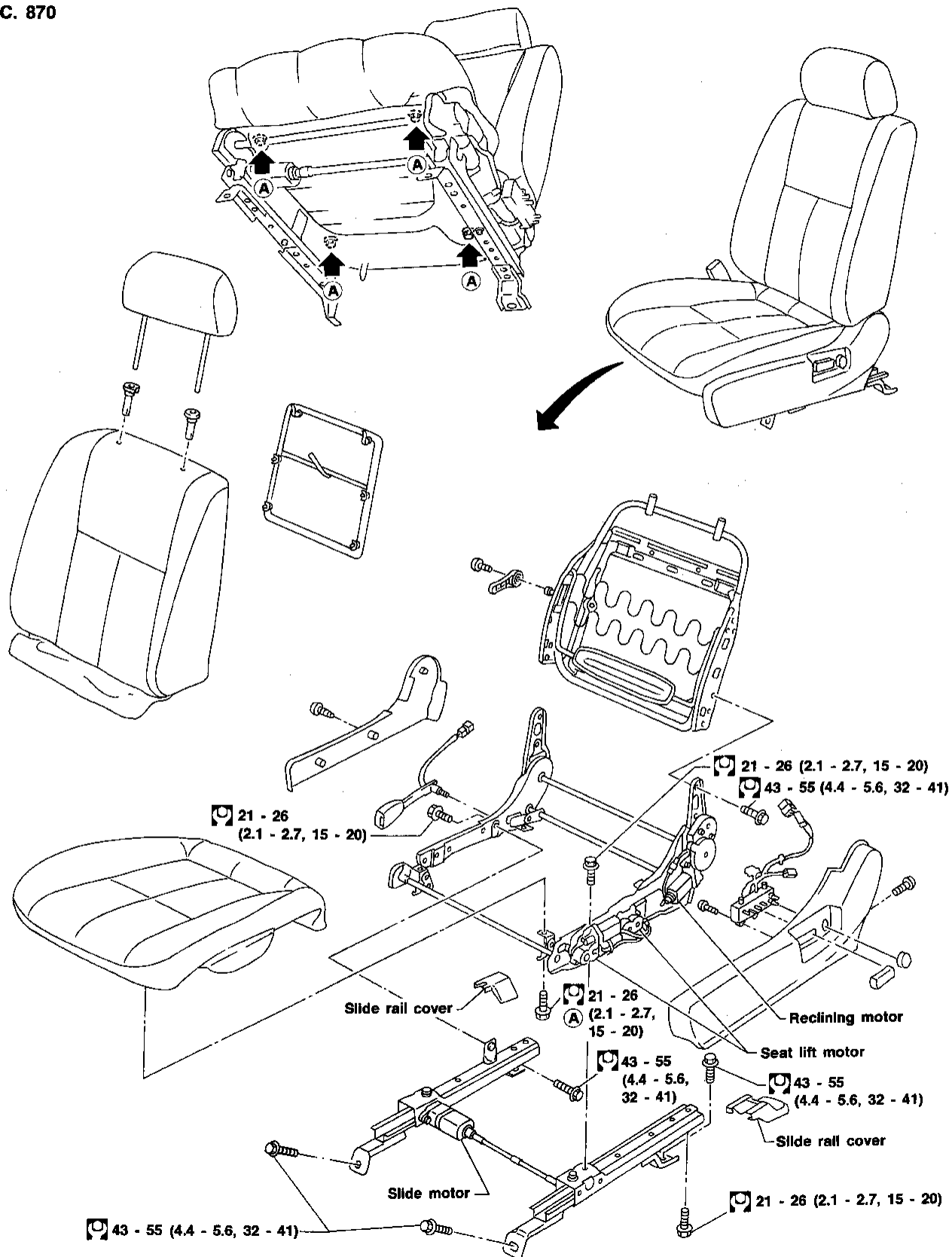
IDX

SEAT

When removing or installing the seat trim, handle carefully to keep dirt out and avoid damage.

Front Seat

SEC. 870



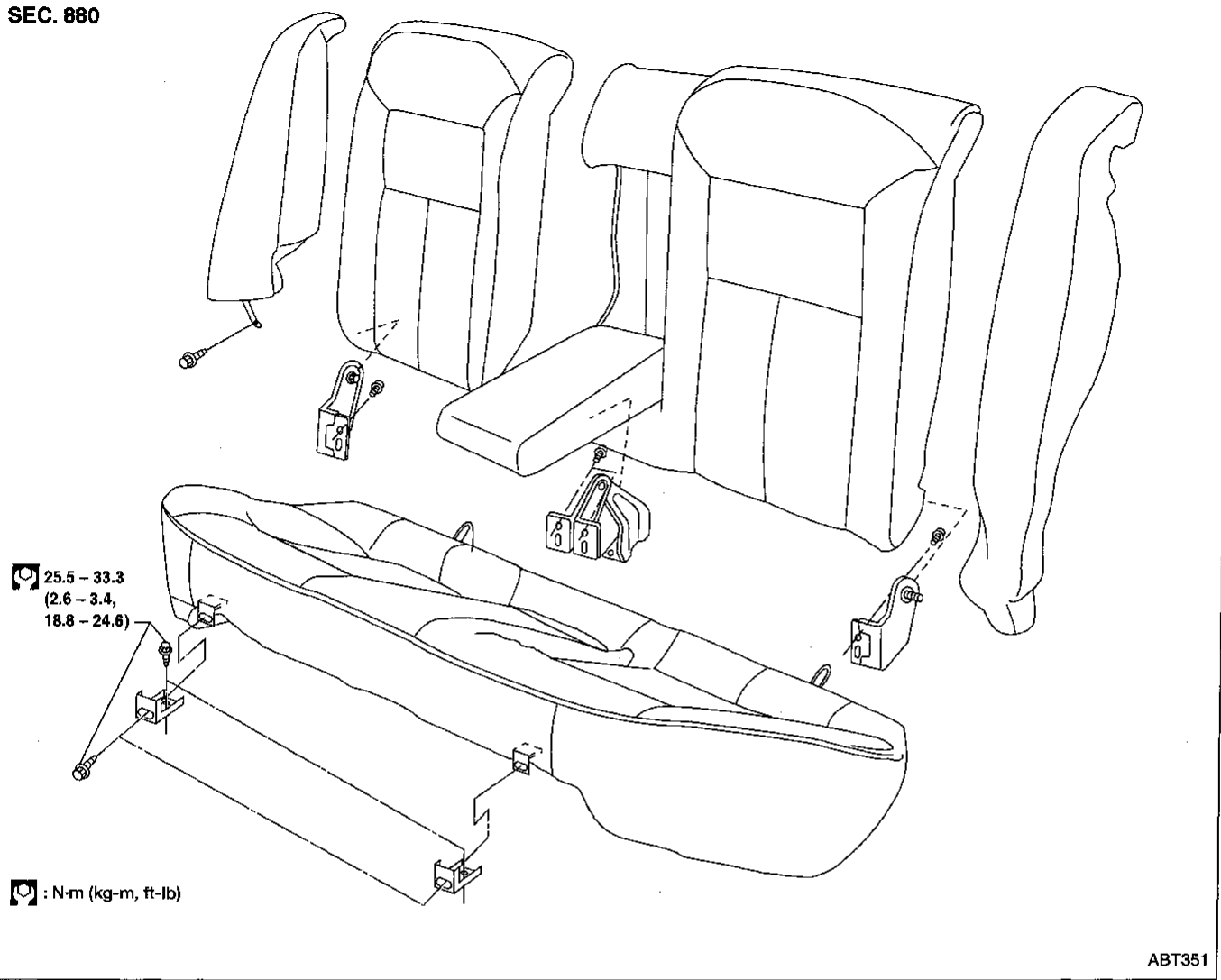
: N·m (kg-m, ft-lb)

SBF351H.

SEAT

Rear Seat

SEC. 880



GI

MA

EM

LC

EC

FE

CL

MT

AT

FA

RA

BR

ST

RS

BT

HA

EL

IDX

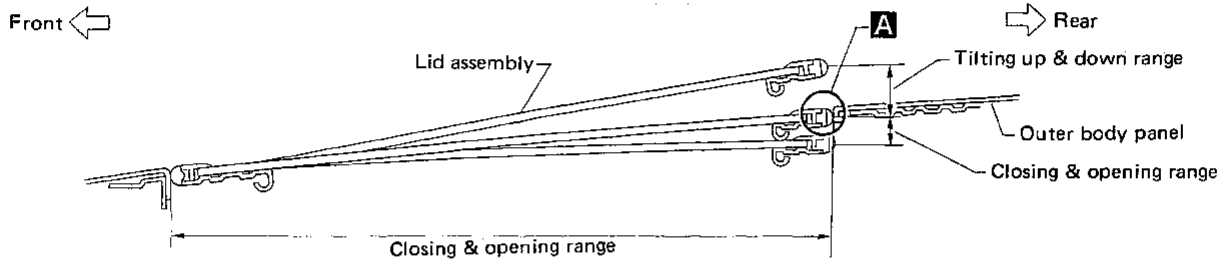
NOTES

SUNROOF

ADJUSTMENT

Install motor & limit SW assembly and sunroof rail assembly in the following sequence:

1. Arrange equal lengths of link and wire assemblies on both sides of sunroof opening.
2. Connect sunroof connector to sunroof switch and positive (+) power supply.
3. Set lid assembly to fully closed position **A** by operating sunroof switch.
4. Fit outer side of lid assembly to the surface of roof on body outer panel.
5. Remove motor, ground sunroof switch bracket and then press OPEN switch until motor pinion gear reaches the end of its rotating range.
6. Install motor.
7. Check that motor drive gear fits properly in wires.
8. Press TILT-UP switch to check lid assembly for normal tilting.
9. Check sunroof lid assembly for normal operations (tilt-up, tilt-down, open, and close).



GI

MA

EM

LC

EC

FE

CL

MT

AT

FA

RA

BR

ST

RS

BT

HA

EL

IDX

SUNROOF

Removal

- After any adjustment, check sunroof operation and lid alignment.
- Handle sunroof lid assembly with care so not to cause damage.
- It is desirable for easy installation to mark each point before removal.

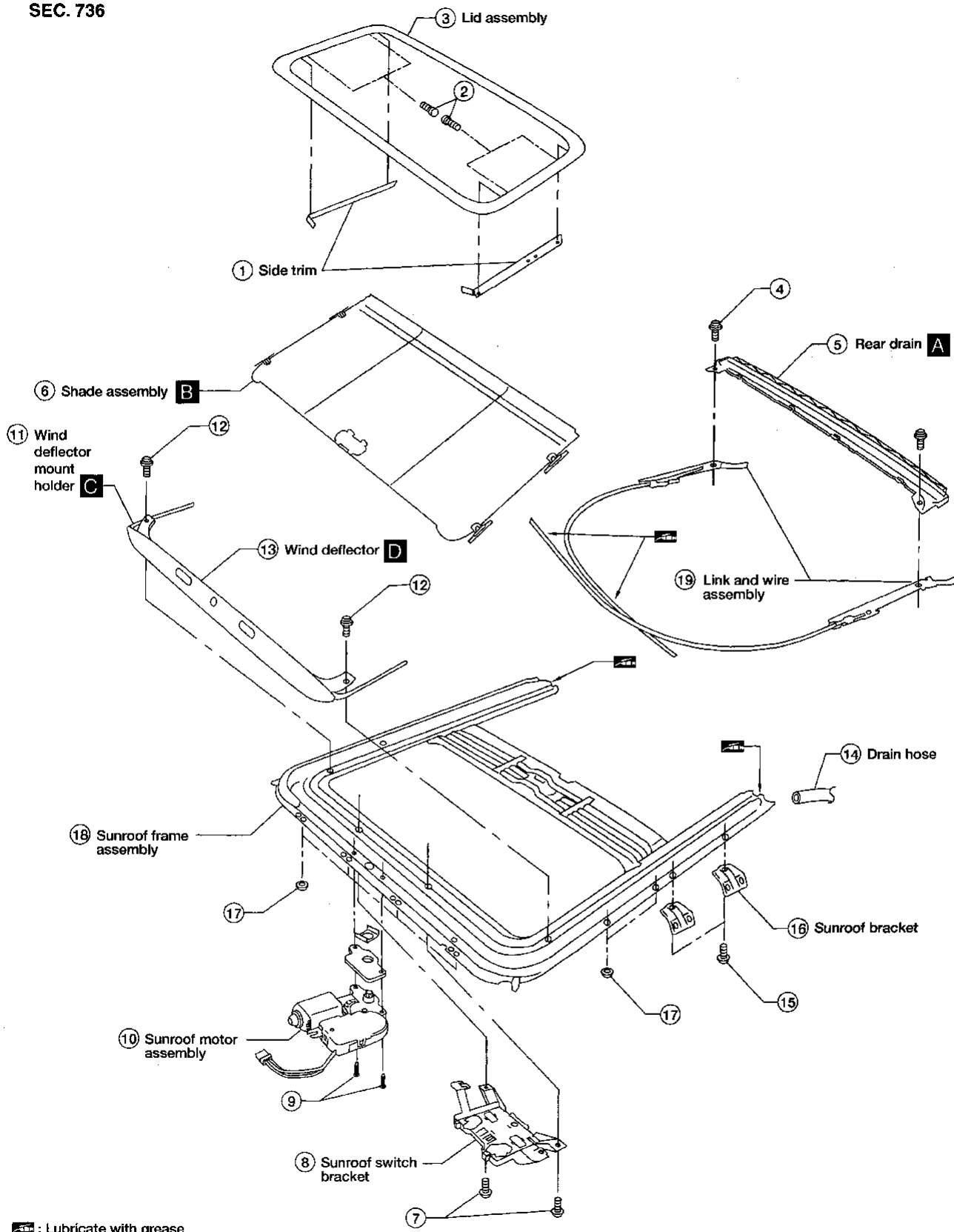
CAUTION:

- Always work with a helper.

Sunroof unit assembly	Shade assembly	Lid assembly	Wind deflector	Sunroof motor assembly
Tilt lid up.				
① Sunroof lid side trim				
② Sunroof lid bolts				
③ Sunroof lid assembly				
④ Rear drain mount screws A				
⑤ Rear drain				
Shade assembly holders from sunroof frame B				
⑥ Shade assembly				
Sunroof switch/interior accessories/headlining Refer to "Roof Trim" in INTERIOR TRIM" for details, BT-25.				
⑦ Sunroof switch bracket mount bolts				
⑧ Sunroof switch bracket				
⑨ Sunroof motor assembly mount screws				
⑩ Sunroof motor assembly, spacer and clip				
⑪ Wind deflector mount holders from sunroof frame C				
⑫ Wind deflector mount screws D				
⑬ Wind deflector				
⑭ Drain hoses				
⑮ Sunroof bracket bolts				
⑯ Sunroof brackets				
⑰ Sunroof frame assembly mount nuts				
⑱ Sunroof frame assembly				
⑲ Link and wire assemblies				

SUNROOF

SEC. 736



: Lubricate with grease

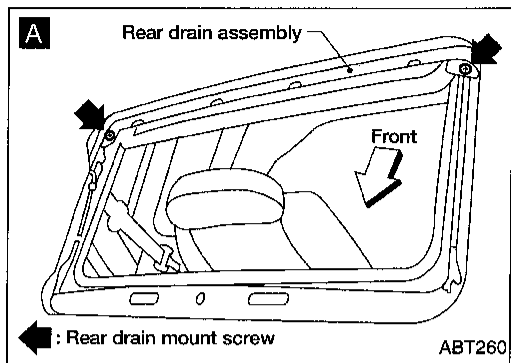
GI
MA
EM
LC
EC
FE
CL
MT
AT
FA
RA
BR
ST
RS
BT
HA
EL
IDX

ABT369

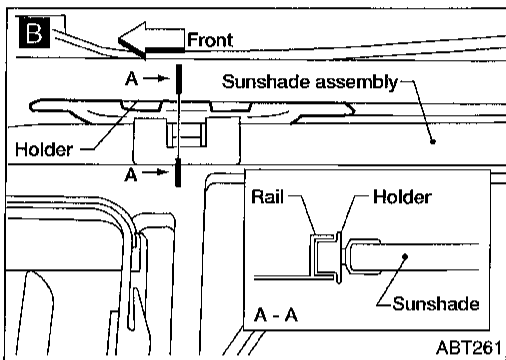
BT-39

1231

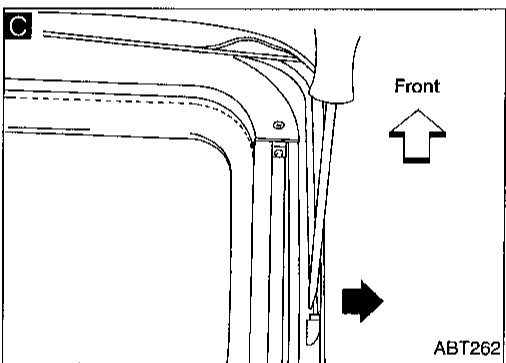
SUNROOF



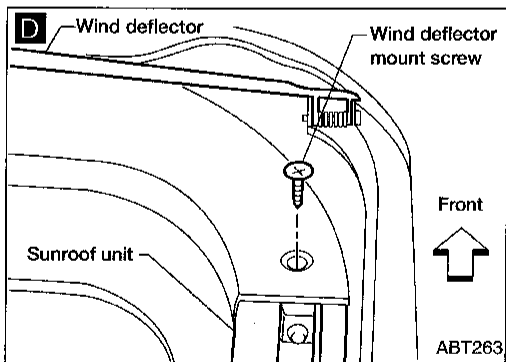
- A** Remove rear drain mount screws. Disengage rear drain assembly by moving it forward. Remove rear drain assembly.



- B** Using flat-bladed screwdriver, pry shade assembly holder from rail. Remove shade assembly by slowly moving it forward.



- C** Using flat-bladed screwdriver, pry wind deflector mount holder from sunroof frame assembly.



- D** Remove wind deflector mount screws from front end of sunroof unit. Remove wind deflector assembly from sunroof frame assembly.

SUNROOF

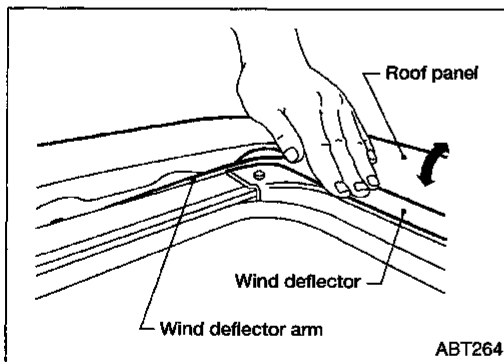
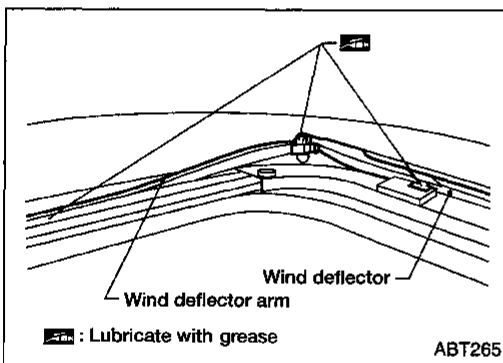
Trouble Diagnoses

DIAGNOSTIC TABLE

NOTE: For "Wiring Diagram", refer to "ELECTRIC SUNROOF" in EL section.

		Check items (Components)				
		Wind deflector	Adjustment	Drain hoses	Weatherstrip	Link and wire assembly
	Reference page	BT-41	BT-42	BT-43	BT-43	BT-44
Symptom	Excessive wind noise	1	2		3	
	Water leaks		1	2	3	
	Sunroof rattles		1	4	2	3
	Excessive operation noise		1		2	3

The numbers in this table mean checking order.



WIND DEFLECTOR

1. Open lid.
2. Check visually for proper installation.
3. Check to ensure a proper amount of grease has been applied to wind deflector connection points; apply if necessary.
4. Check that wind deflector is properly retracted by hand. If it is not, remove and visually check condition. (Refer to removal procedures, BT-38). If wind deflector is damaged, replace with new one. If wind deflector is not damaged, re-install properly.

GI

MA

EM

LC

EC

FE

CL

MT

AT

FA

RA

BR

ST

RS

BT

HA

EL

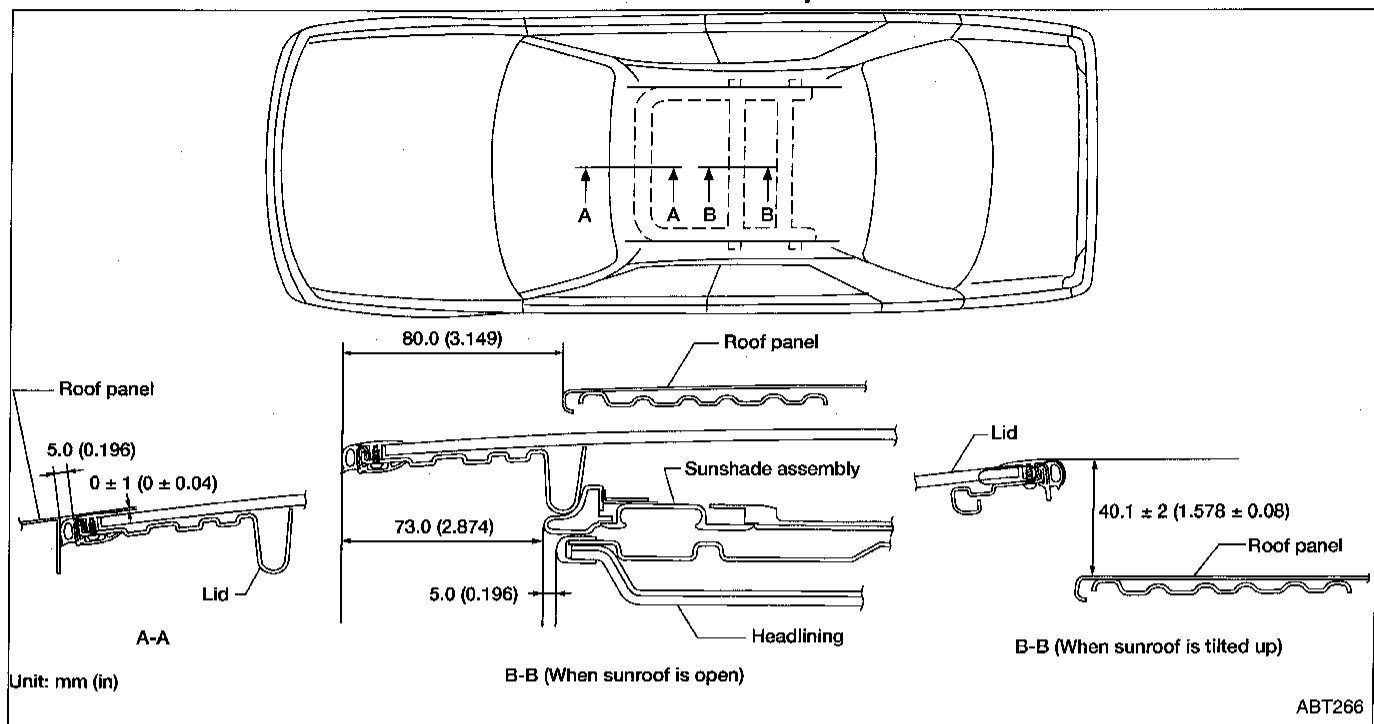
IDX

SUNROOF

Trouble Diagnoses (Cont'd)

ADJUSTMENT

If any gap or height difference between lid and roof is found, check lid fit and adjust as follows:



Gap adjustment

1. Remove shade assembly. (Refer to removal procedures BT-38, for details.)
2. Tilt lid up.
3. Loosen lid securing bolts (2 each on left and right sides), then tilt lid down.
4. Adjust lid so it resembles "A-A" as shown in the figure above.
5. Tilt lid up and down until it is adjusted to "B-B" as shown in the figure above.
6. After adjusting lid, tilt lid up and tighten bolts.
7. Tilt lid up and down several times to check that it moves smoothly.

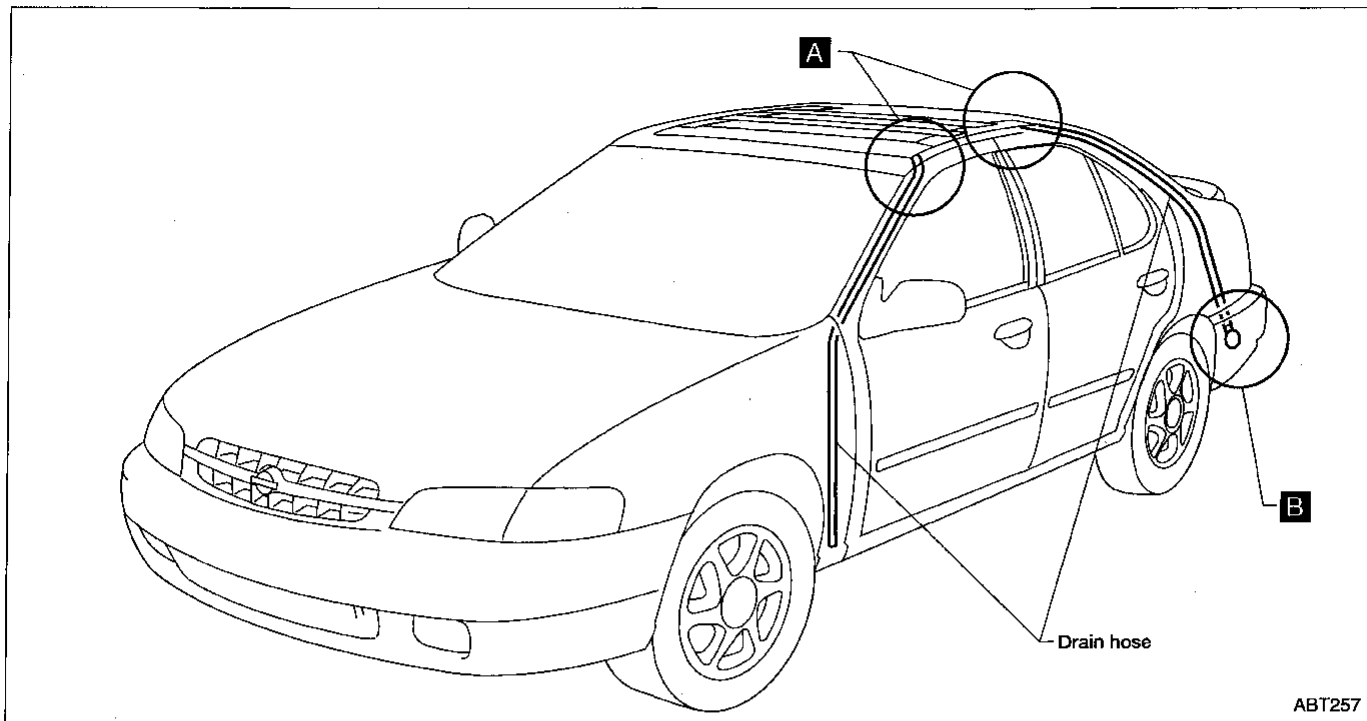
Height difference adjustment

1. Tilt lid up and down.
2. Check height difference between roof panel and lid to see if it is as "A-A" as shown in the figure above. Adjust if necessary.

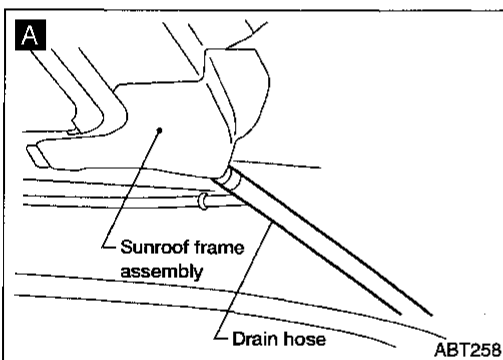
SUNROOF

Trouble Diagnoses (Cont'd)

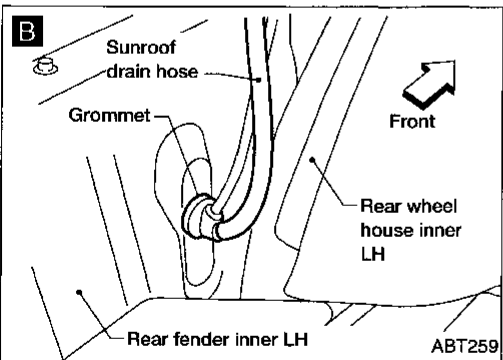
DRAIN HOSES



ABT257



ABT258



ABT259

1. Remove headlining to access drain hose connections. (Refer to "REMOVAL — Headlining" in "INTERIOR TRIM", BT-25, for details.)
2. Check visually for proper connections, damage or deterioration. **A** (The figure shows only the front side.)
3. If leakage occurs around trunk room, remove trunk room side trim and check connecting area. Check for proper connection, damage. **B**
4. Remove drain hoses and check visually for any damage, cracks, or deterioration.
5. Pour water into drain hoses and find damaged portion.
 - If any damaged portion is found at each step, replace the damaged part.

WEATHERSTRIP

- In case of leakage around lid, close lid and pour water over lid to find damaged or gap portion.
- If gap is between weatherstrip and roof panel, perform gap adjustment. Refer to procedure on BT-42.
- If gap is between weatherstrip and lid, or if weatherstrip is flattened, damaged or deteriorated, replace lid assembly. (Weatherstrip is not serviceable.)

GI
MA
EM
LC
EC
FE
CL
MT
AT
FA
RA
BR
ST
RS
BT
HA
EL
IDX

SUNROOF

Trouble Diagnoses (Cont'd)

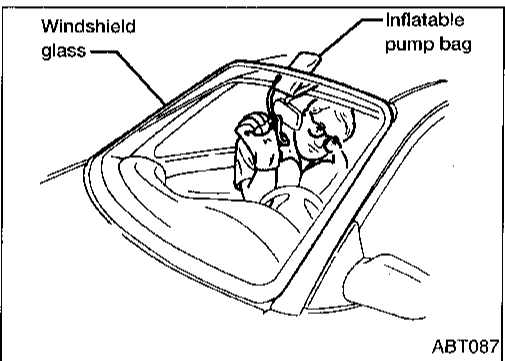
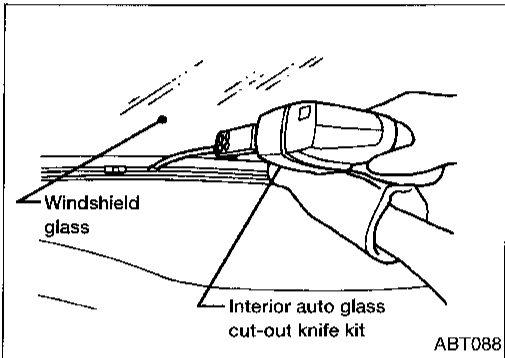
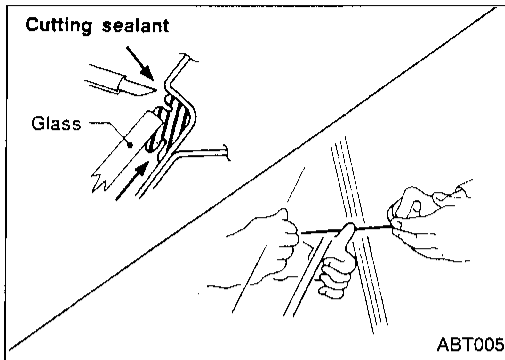
LINK AND WIRE ASSEMBLY

NOTE:

Before replacing a suspect part, carefully ensure it is the source of noise being experienced.

1. Check link to determine if coating film has peeled off to such an extent that substrate is visible. Check also to determine if link is the source of noise. If it is, replace it.
2. Visually check to determine if a sufficient amount of petroleum jelly has been applied to wire or rail groove. If not, add petroleum jelly as required.
3. Check wire for any damage or deterioration. If damaged, replace wire. Refer to Removal, BT-38.

WINDSHIELD AND WINDOWS



REMOVAL

After removing moldings, remove glass using piano wire or power cutting tool and an inflatable pump bag.

WARNING:

When cutting the glass from the vehicle, always wear safety glasses and heavy gloves to help prevent glass splinters from entering your eyes or cutting your hands.

CAUTION:

- Be careful not to scratch the glass when removing.
- Do not set or stand the glass on its edge. Small chips may develop into cracks.

INSTALLATION

- Use genuine Nissan Urethane Adhesive Kit or equivalent and follow the instructions furnished with it.
- While the urethane adhesive is curing, open a door window. This will prevent the glass from being forced out by passenger compartment air pressure when a door is closed.
- The molding must be installed securely so that it is in position and leaves no gap.
- Inform the customer that the vehicle should remain stationary until the urethane adhesive has completely cured (preferably 24 hours). Curing time varies with temperature and humidity.

WARNING:

- Keep heat and open flames away as primers and adhesive are flammable.
- The materials contained in the kit are harmful if swallowed, and may irritate skin and eyes. Avoid contact with the skin and eyes.
- Use in an open, well ventilated location. Avoid breathing the vapors. They can be harmful if inhaled. If affected by vapor inhalation, immediately move to an area with fresh air.
- Driving the vehicle before the urethane adhesive has completely cured may affect the performance of the windshield in case of an accident.

CAUTION:

- Do not use an adhesive which is past its usable term. Shelf life of this product is limited to six months after the date of manufacture. Carefully adhere to the expiration or manufacture date printed on the box.
- Keep primers and adhesive in a cool, dry place. Ideally, they should be stored in a refrigerator.
- Do not leave primers or adhesive cartridge unattended with their caps open or off.
- The vehicle should not be driven for at least 24 hours or until the urethane adhesive has completely cured. Curing time varies depending on temperature and humidities. The curing time will increase under higher temperatures and lower humidities.

Windshield and Rear Window

Install spacer to panel.
Windshield

425 (16.73)
Unit: mm (in)

Install moulding to glass.
Rear window

Install molding fastener for windshield.
When installing it, heat body panel and fastener to approx. 30 to 40°C (86 to 104°F).
Upper & side molding fasteners

Fastener
Panel
Double-faced adhesive tape

ABT275

Glass side
Install open cell foam dam

Windshield

8 - 9 (0.31 - 0.35) Vehicle center
8 - 9 (0.31 - 0.35)
Joint portion

Rear window

8 - 9 (0.31 - 0.35) Vehicle center
8 - 9 (0.31 - 0.35)
Joint portion

Open cell foam dam
Double-faced adhesive tape
Glass
8 - 9 (0.31 - 0.35)

Apply urethane adhesive evenly.
Windshield and rear window

7 - 8 (0.28 - 0.31)
12 - 15 (0.47 - 0.59)
Open cell foam dam
Glass

Unit: mm (in)

ABT241

REPAIRING WATER LEAKS FOR WINDSHIELD

Leaks can be repaired without removing and reinstalling glass.

If water is leaking between urethane adhesive and body or glass, determine the extent of leakage. This can be done by applying water while pushing glass outward.

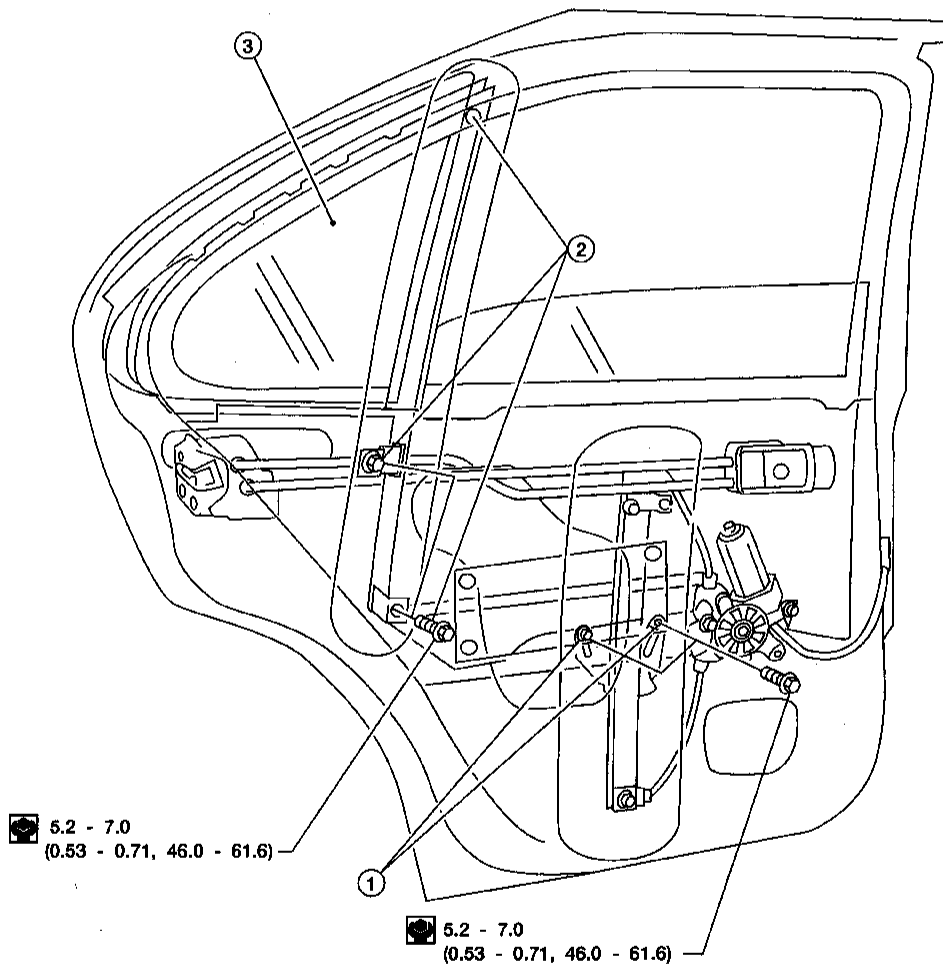
To stop the leak, apply primer (if necessary) and then urethane adhesive to the leak point.

Quarter Window

REMOVAL

- Remove the rear door trim. For details, refer to BT-23.
- Roll the rear window down.
- ① Remove two screws securing rear glass, then remove rear glass.
- ② Remove three screws securing rear door center sash, then remove rear door center sash.
- ③ Remove the plastic support and quarter glass.

SEC. 820-823-825



: N-m (kg-m, in-lb)

ABT277

GI

MA

EM

LC

EC

FE

CL

MT

AT

FA

RA

BR

ST

RS

BT

HA

EL

IDX

MIRROR

Door Mirror

REMOVAL

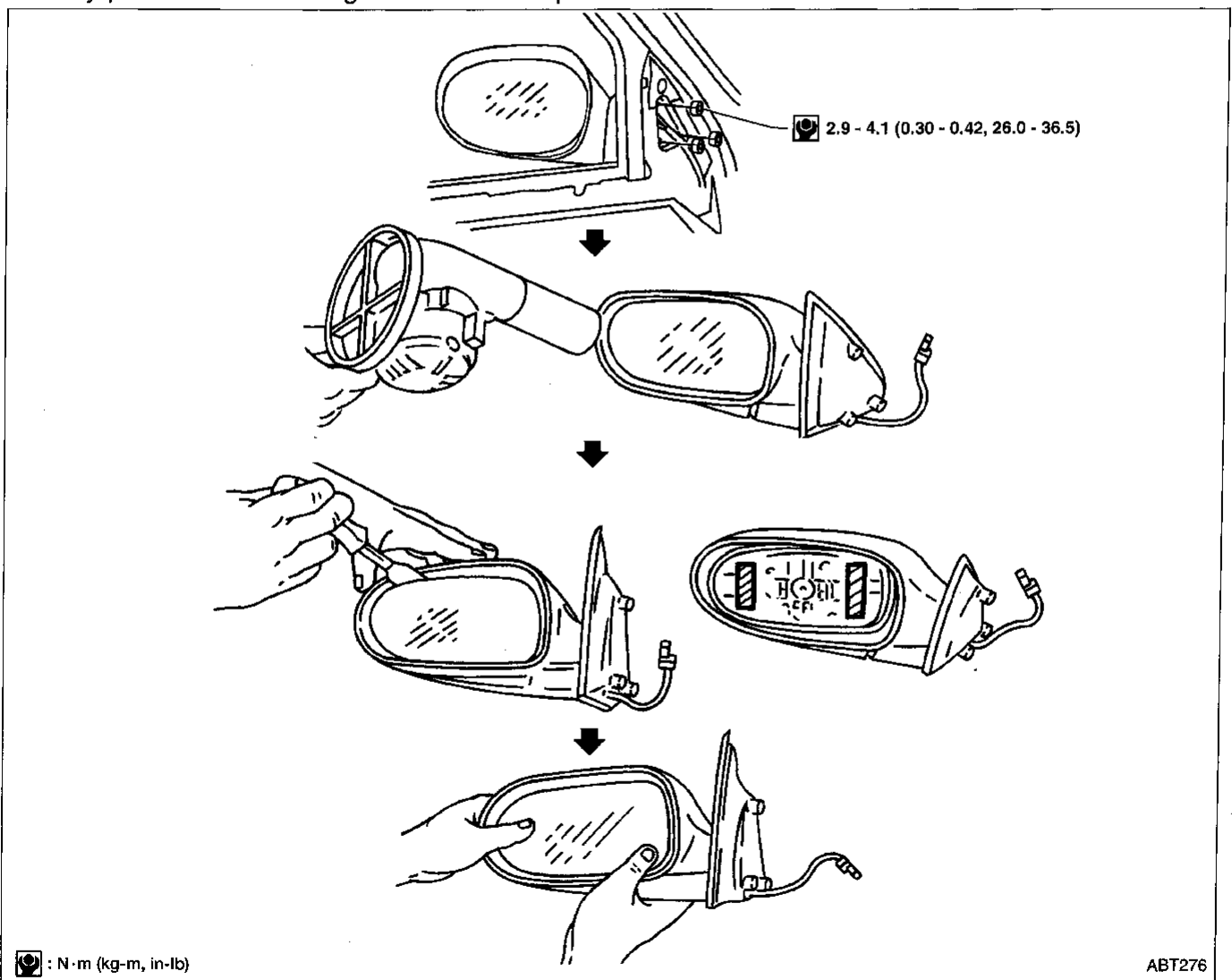
★ For Wiring Diagram, refer to "POWER DOOR MIRROR" in EL section.

● Mirror glass must be removed to access internal mirror components (i.e. motor).

- ① Remove sash inner cover.
- ② Remove nuts securing door mirror, disconnect door mirror harness, then remove door mirror assembly.
- ③ Use a heat lamp (at least 500 watts) to warm the frame edge of the door mirror glass to approximately 70°C (159°F) for three minutes.
- ④ Insert a stiff blade scraper between the mirror glass and frame. Pry the glass loose and remove any remaining adhesive (butyl tape) from the mounting surface.

INSTALLATION

- ① Install butyl/adhesive tape (2 pieces) on the frame
- ② Warm the mirror glass frame edge thoroughly with a heat lamp. Position mirror glass on frame, carefully press on the mirror glass to seat it in place.

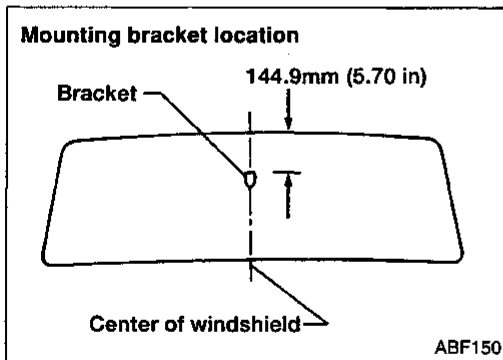
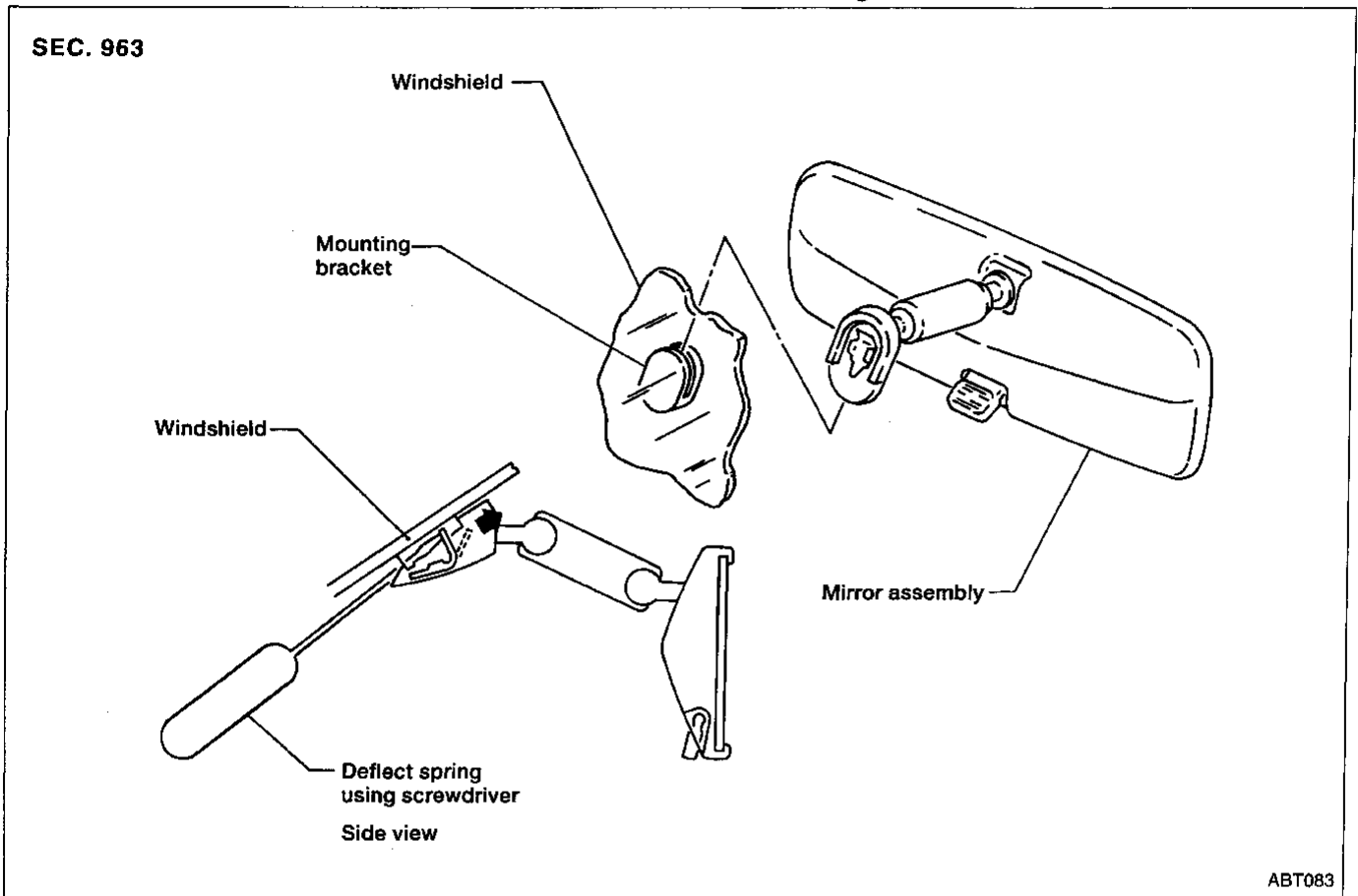


MIRROR

Rearview Mirror

REMOVAL

Remove rearview mirror by pushing deflect spring with screwdriver as shown in the figure.

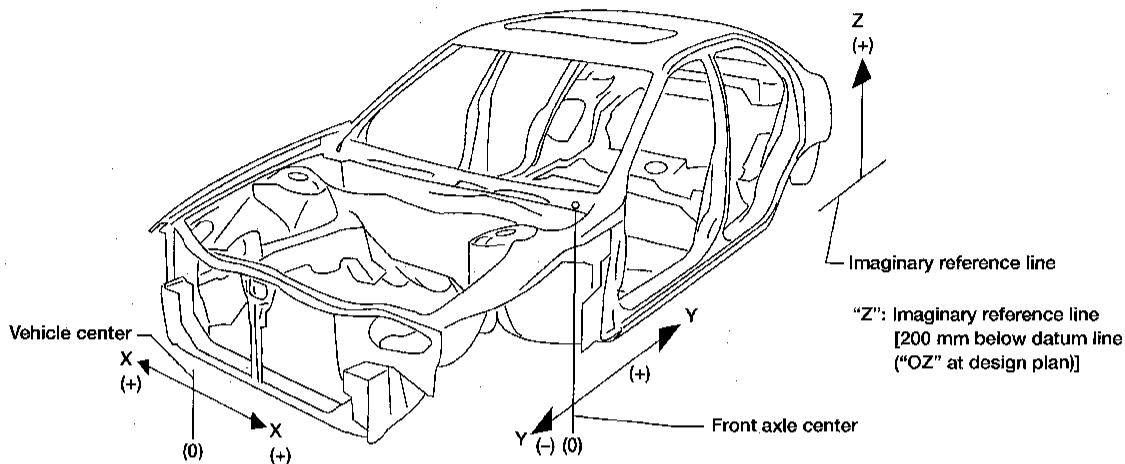


INSTALLATION

1. Install mounting bracket as follows:
 - a. Determine mounting bracket position on windshield by measuring from top of windshield to top of mounting bracket as shown in the figure.
 - b. Mark location on outside of windshield with wax pencil or equivalent.
 - c. Clean attaching point on inside of windshield with an alcohol-saturated paper towel.
 - d. Sand bonding surface of mounting bracket with sandpaper (No. 320 or No. 360).
 - e. Clean bonding surface of mounting bracket with an alcohol-saturated paper towel.
 - f. Apply Loctite Adhesive 11067-2 or equivalent to bonding surface of mounting bracket.
 - g. Install mounting bracket at premarked position and press mounting bracket against glass for 30 to 60 seconds.
 - h. After five minutes, wipe off excess adhesive with an alcohol-moistened paper towel.
2. Install rearview mirror.

BODY ALIGNMENT

- All dimensions indicated in figures are actual ones.
- When using a tracking gauge, adjust both pointers to equal length. Make sure there is no free play.
- When a measuring tape is used, check to be sure there is no elongation, twisting or bending.
- Measurements should be taken at the center of the mounting holes.
- All measurements and mounting hole diameters are expressed in millimeters (mm).
- An asterisk (*) following the value at the measuring point indicates that the measuring point on the other side is symmetrically the same value.
- The coordinates of the measurement points are the distances measured from the standard line of "X", "Y" and "Z".

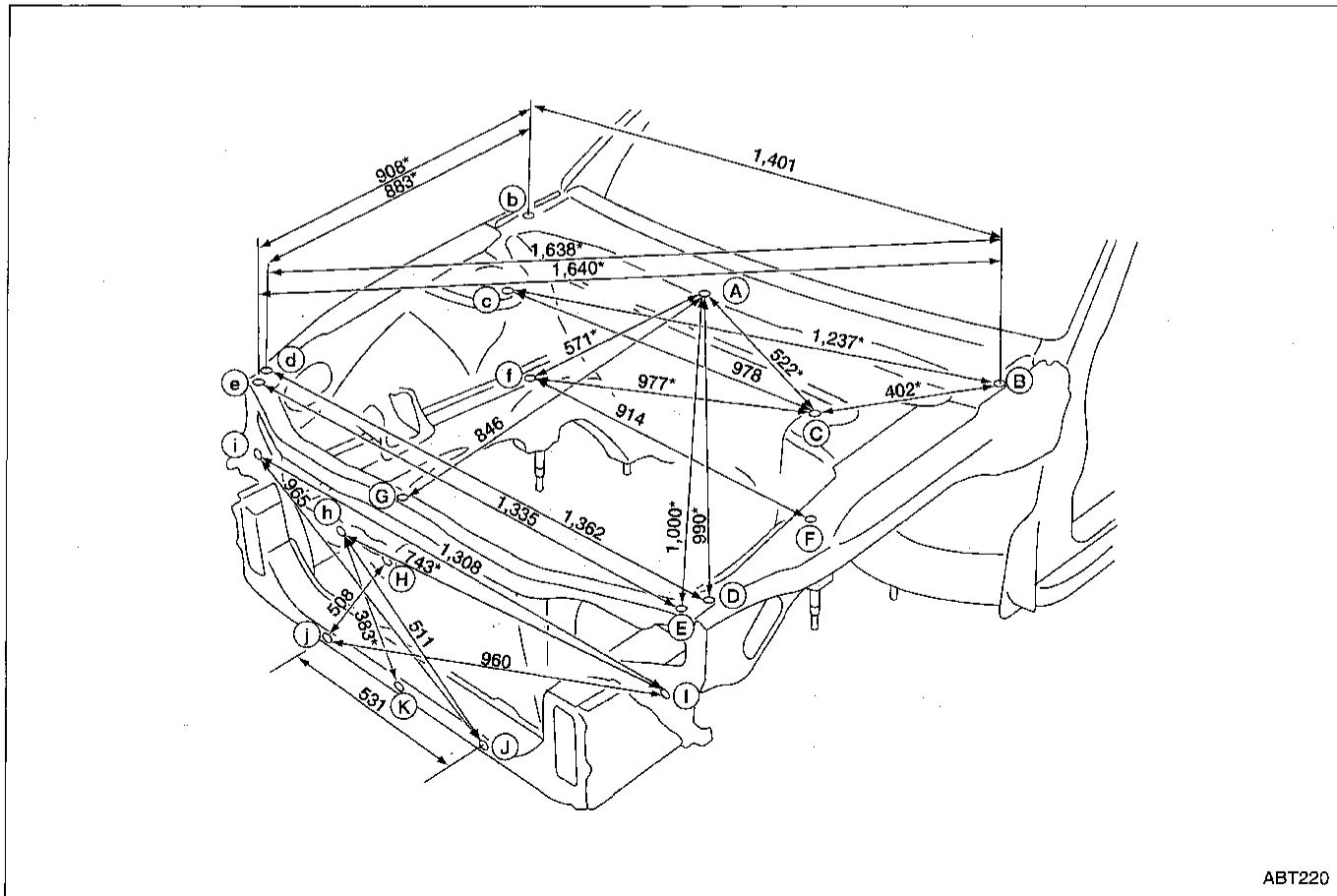


ABT240

Engine Compartment

MEASUREMENT

Unit: mm



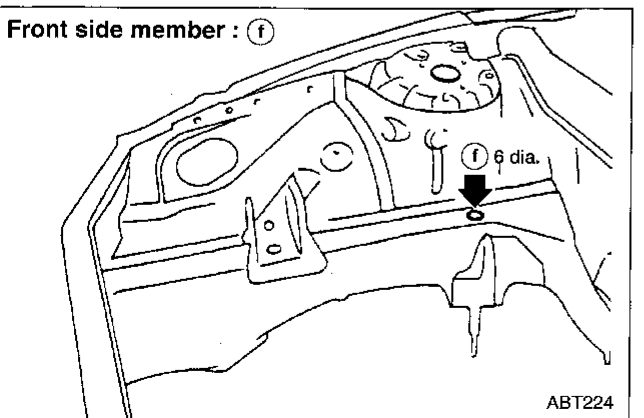
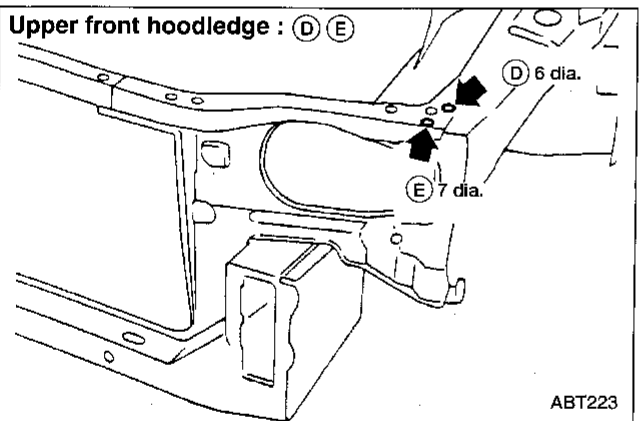
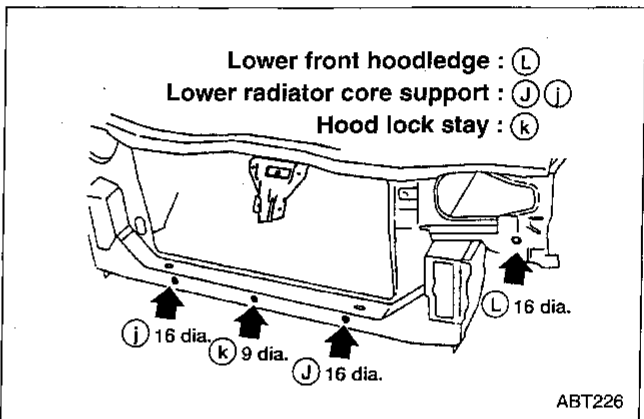
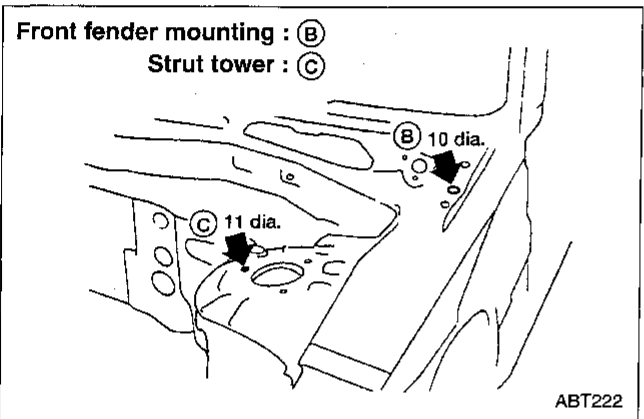
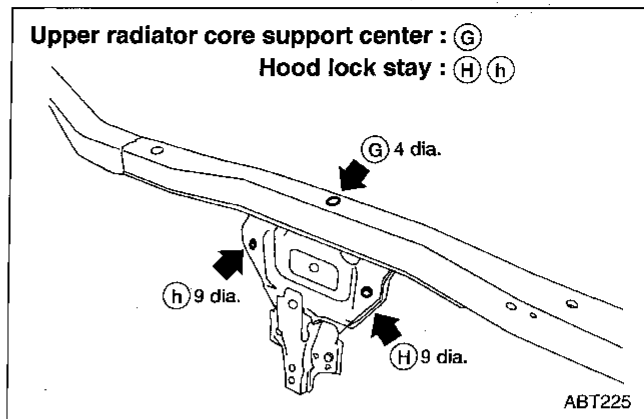
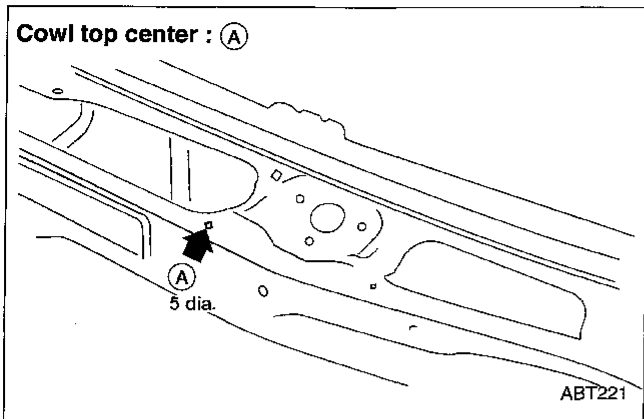
ABT220

BODY ALIGNMENT

Engine Compartment (Cont'd)

Unit: mm

MEASUREMENT POINTS



GI

MA

EM

LC

EC

FE

CL

MT

AT

FA

RA

BR

ST

RS

BT

HA

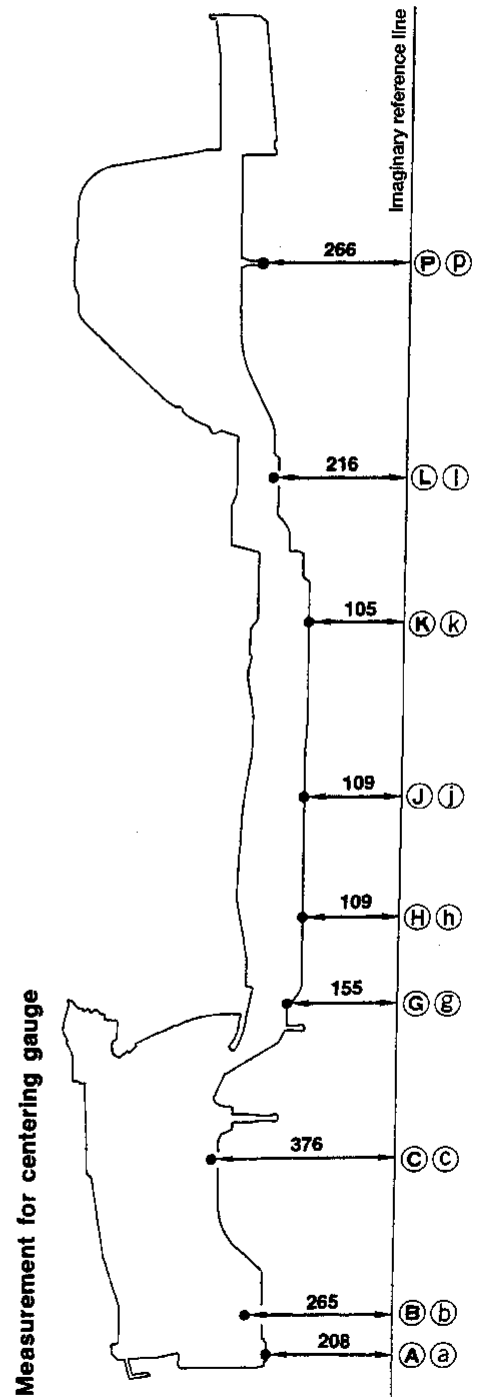
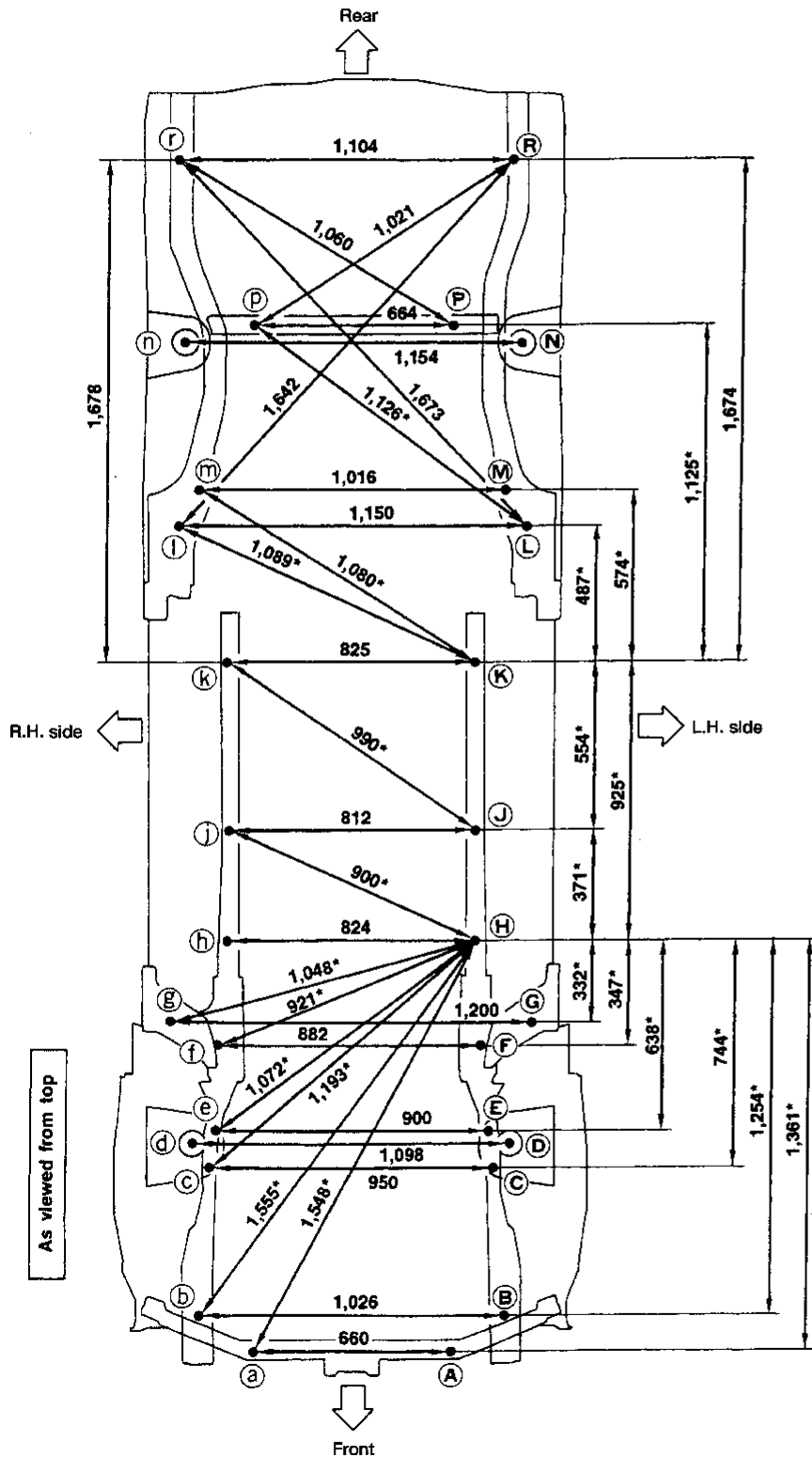
EL

IDX

BODY ALIGNMENT

Underbody

MEASUREMENT



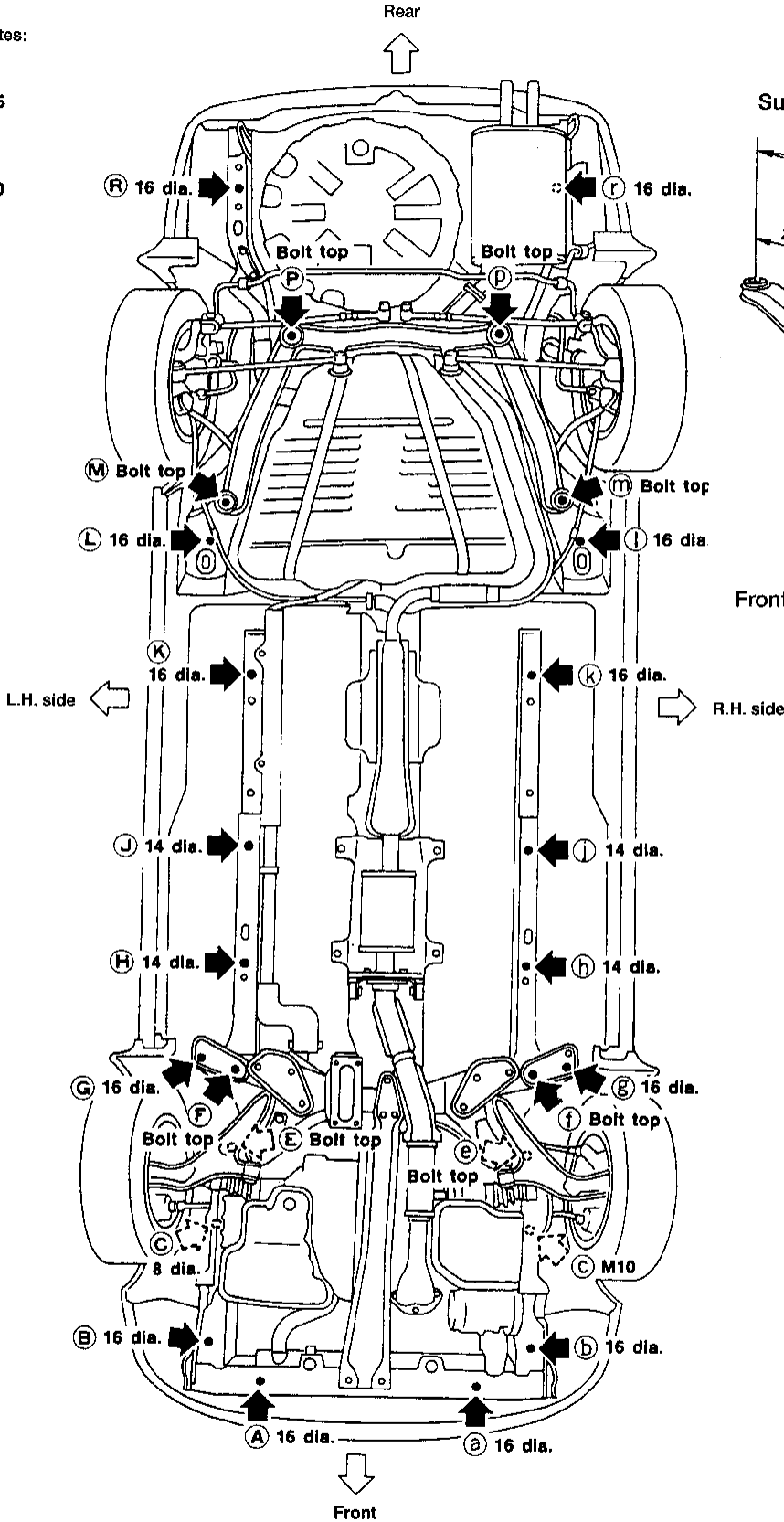
BODY ALIGNMENT

Underbody (Cont'd)

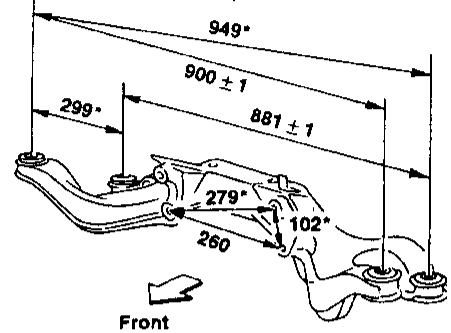
MEASUREMENT POINTS

Coordinates:

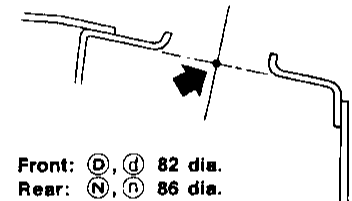
- (A, a) X: 330
Y: -655
Z: 208
- (B, b) X: 513
Y: -540
Z: 265
- (C, c) X: 475
Y: -52
Z: 376
- (D, d) X: 549
Y: 27
Z: 756
- (E, e) X: 450
Y: 68
Z: 189
- (F, f) X: 441
Y: 354
Z: 112
- (G, g) X: 600
Y: 430
Z: 155
- (H, h) X: 412
Y: 700
Z: 109
- (J, j) X: 408
Y: 1,071
Z: 109
- (K, k) X: 413
Y: 1,625
Z: 105
- (L, l) X: 575
Y: 2,070
Z: 216
- (M, m) X: 508
Y: 2,190
Z: 133
- (N, n) X: 577
Y: 2,674
Z: 813
- (P, p) X: 332
Y: 2,735
Z: 266
- (R, r) X: 529
Y: 3,280
Z: 327
- (T, t) X: 575
Y: 3,280
Z: 327



Suspension link mounting hole
Front suspension member



Front and rear strut tower centers



GI

MA

EM

LC

EC

FE

CL

MT

AT

FA

RA

BR

ST

RS

BT

HA

EL

IDX