

A

ACC

SECTION ACC

ACCELERATOR CONTROL SYSTEM

C

CONTENTS

D

E

<p>ACCELERATOR CONTROL SYSTEM 2</p> <p>Removal and Installation 2</p>	<p>SERVICE DATA AND SPECIFICATIONS (SDS) 4</p> <p>Accelerator Control 4</p> <p>PEDAL TRAVEL 4</p>	<p>F</p> <p>G</p> <p>H</p> <p>I</p> <p>J</p> <p>K</p> <p>L</p> <p>M</p>
--	--	---

ACCELERATOR CONTROL SYSTEM

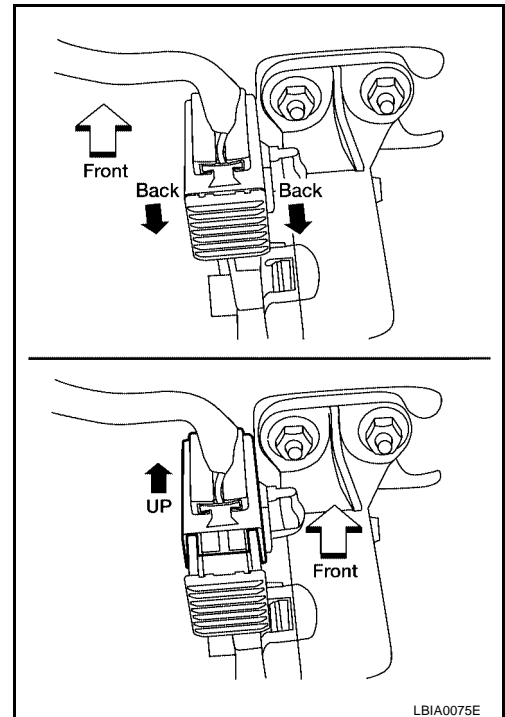
ACCELERATOR CONTROL SYSTEM

PFP:18005

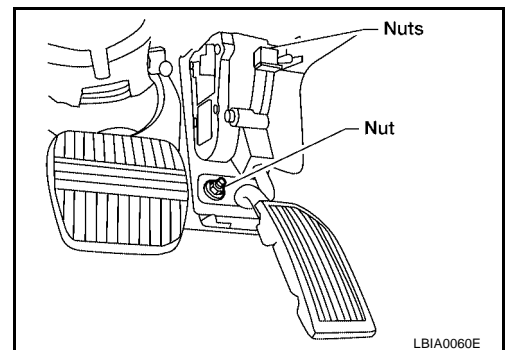
Removal and Installation

EBS0080Z

1. Disconnect the accelerator position sensor electrical connector.
 - a. Pull the connector lock back to unlock the connector from the accelerator pedal position sensor as shown.
 - b. Pull up on the connector to disconnect it from the accelerator pedal position sensor as shown.



2. Remove the upper and lower accelerator pedal nuts.

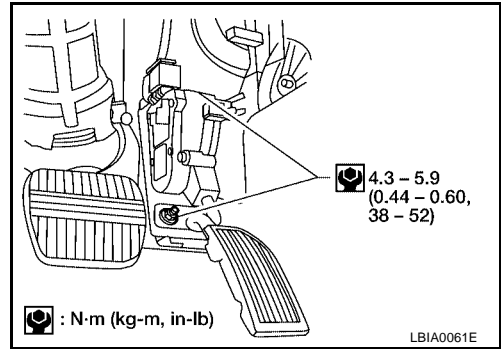


3. Remove the accelerator pedal and accelerator position sensor assembly.
 - a. Do not disassemble the pedal assembly. Do not remove the accelerator pedal position sensor from the pedal assembly.
 - b. Avoid impact from dropping during handling.
 - c. Keep the pedal assembly away from water.
 - d. For electrical inspection of the accelerator pedal position sensor. Refer to [EC-49, "Accelerator Pedal Released Position Learning"](#).

ACCELERATOR CONTROL SYSTEM

4. Installation should be performed in the reverse procedure of removal.

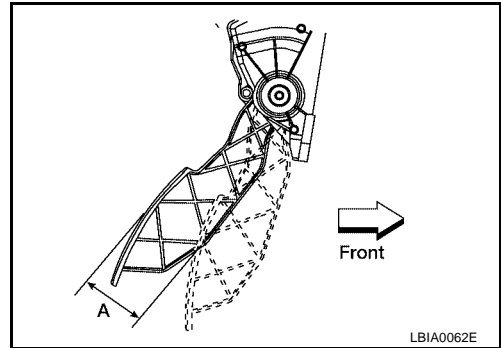
- When the harness connector of the accelerator pedal position sensor is disconnected, perform the "Accelerator pedal position released learning". Refer to [EC-49, "Accelerator Pedal Released Position Learning"](#).
- Check the accelerator pedal for smooth operation. There should be no binding or sticking when applying or releasing the accelerator pedal.



- Check that the accelerator pedal moves through the full specified distance of pedal travel.

Pedal travel : 52.6 - 58.2 mm (2.07 - 2.29 in)

A



A

ACC

C

D

E

F

G

H

I

J

K

L

M

SERVICE DATA AND SPECIFICATIONS (SDS)

SERVICE DATA AND SPECIFICATIONS (SDS)

PFP:00030

Accelerator Control PEDAL TRAVEL

EBS008R0

Accelerator control pedal - total travel	52.6 - 58.2 mm (2.07 - 2.29 in)
--	---------------------------------
