

SECTION **EX**
EXHAUST SYSTEM

A
EX
C
D
E
F
G
H
I
J
K
L
M

CONTENTS

PREPARATION	2	Removal and Installation	3	F
Special Service Tool	2	Inspection After Installation	5	
Commercial Service Tools	2	EXHAUST SYSTEM (VQ35DE)	6	G
EXHAUST SYSTEM (QR25DE)	3	Checking Exhaust System	6	
Checking Exhaust System	3	Removal and Installation	6	
		Inspection After Installation	8	H

PREPARATION

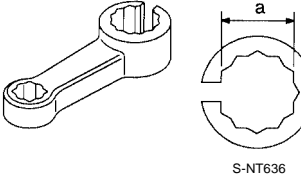
PREPARATION

PFP:00002

Special Service Tool

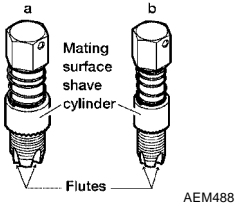

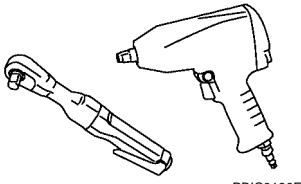
EBS008QR

The actual shapes of Kent-Moore tools may differ from those of special service tools illustrated here.

Tool number (Kent-Moore No.) Tool name	Description
KV10114400 (J-38365) Heated oxygen sensor wrench <div style="text-align: center;">  <p>S-NT636</p> </div>	Loosening or tightening heated oxygen sensors: a: 22 mm (0.87 in)

Commercial Service Tools

EBS008QS

(Kent-Moore No.) Tool name	Description
(J-43897-18) (J-43897-12) Oxygen sensor thread cleaner <div style="text-align: center;">  <p>AEM488</p> </div>	Reconditioning the exhaust system threads before installing a new oxygen sensor (Use with anti-seize lubricant shown below): a: J-43897-18 (18 mm dia.) for zirconia oxygen sensor b: J-43897-12 (12 mm dia.) for titania oxygen sensor
Anti-seize lubricant (Permatex 133AR or equivalent meeting MIL specification MIL-A-907) <div style="text-align: center;">  <p>AEM489</p> </div>	Lubricating oxygen sensor thread cleaning tool when reconditioning exhaust system threads
Power tool <div style="text-align: center;">  <p>PBIC0190E</p> </div>	Loosening nuts and bolts

EXHAUST SYSTEM (QR25DE)

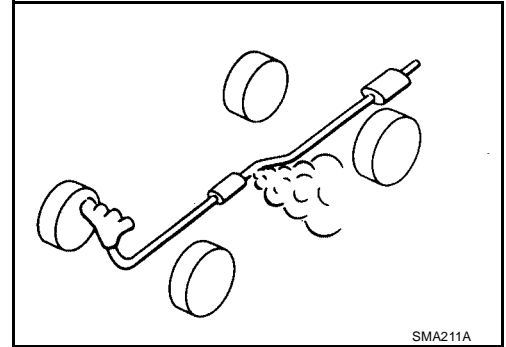
EXHAUST SYSTEM (QR25DE)

PF20100

Checking Exhaust System

EBS008QT

Check exhaust pipes, muffler and mounting for improper attachment, leaks, cracks, damage or deterioration.



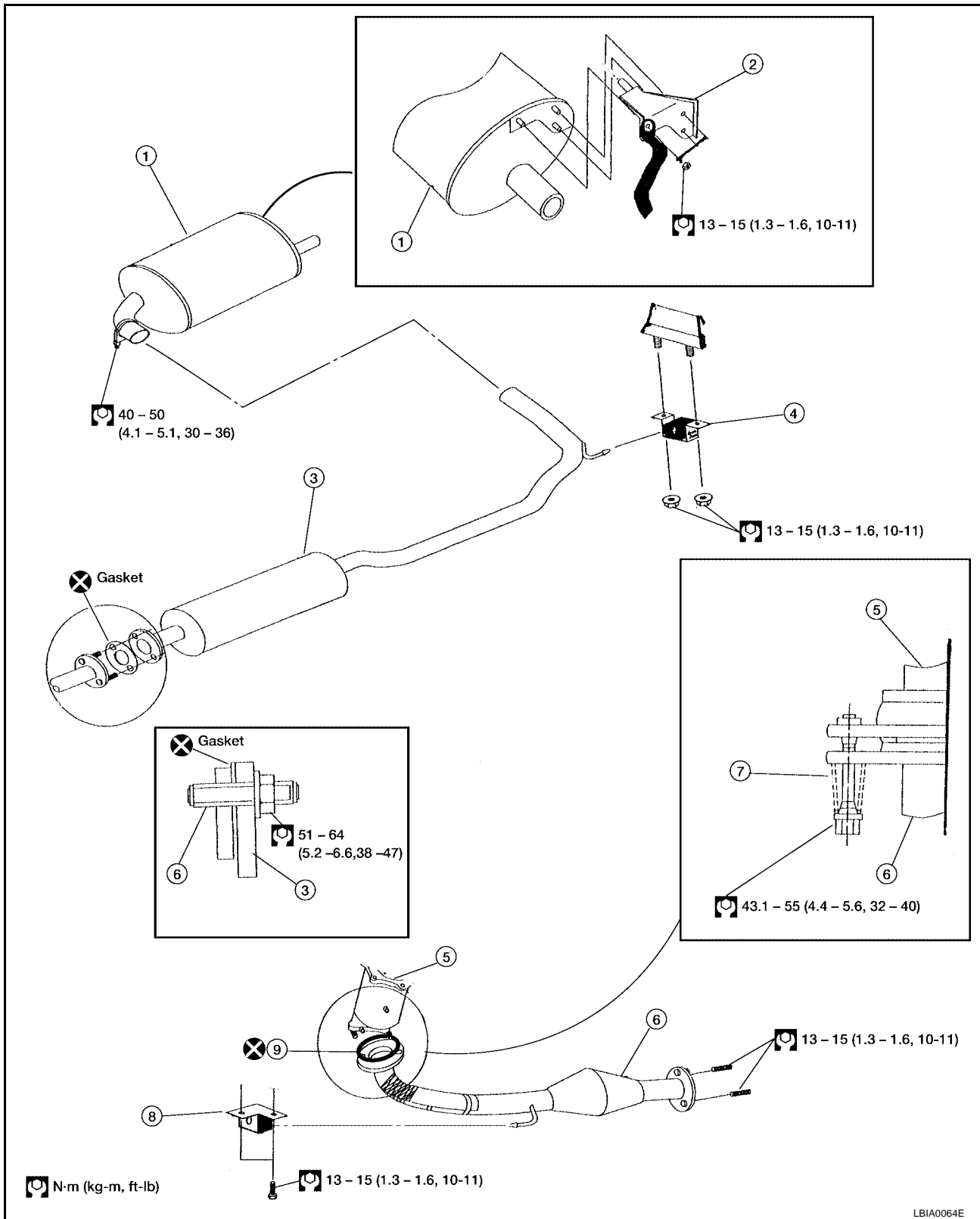
EBS008QU

Removal and Installation

CAUTION:

- Be sure to use genuine NISSAN exhaust system parts or equivalents which are specially designed for heat resistance, corrosion resistance, and shape.
- Perform the operation with the exhaust system fully cooled down because the system will be hot just after the engine stops.
- Be careful not to cut your hand on the insulator edges.

EXHAUST SYSTEM (QR25DE)



LBIA0064E

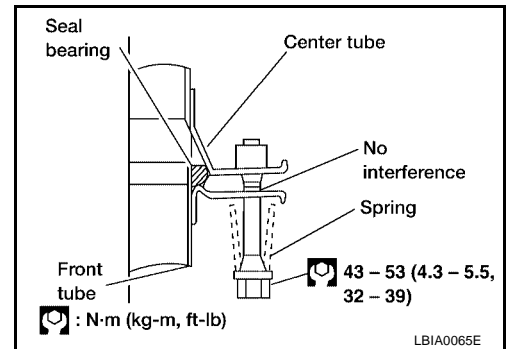
- | | | |
|-------------------------------|--|------------------------|
| 1. Rear muffler | 2. Rear muffler bracket (ground strap) | 3. Center exhaust tube |
| 4. Center exhaust tube hanger | 5. Exhaust manifold | 6. Front exhaust tube |
| 7. Front exhaust tube spring | 8. Front exhaust tube hanger | 9. Seal bearing |

EXHAUST SYSTEM (QR25DE)

- If the insulator is badly deformed, repair or replace it. If deposits such as mud pile up on the insulator, remove them.
- When installing the insulator avoid large gaps or interference between the insulator and each exhaust pipe.
- Remove deposits from the sealing surface of each connection. Connect them securely to avoid gas leakage.
- Temporarily tighten the exhaust manifold side mounting nuts and the vehicle side mounting bolts. Check each part for unusual interference, and then tighten them to the specified torque.
- When installing each mounting rubber, avoid twisting or unusual extension in up/down and right/left directions.
- Insert the seal bearing in the direction as shown. Tighten the mounting bolt with the big end of the spring facing the flange.

CAUTION:

Tighten the mounting bolt without causing interference with the flange.



Inspection After Installation

EBS008QV

- With the engine running, check exhaust tube joints for gas leakage and abnormal noise.
- Check to ensure that mounting brackets and mounting insulators are installed properly and free from undue stress. Improper installation could result in excessive noise and vibration.

EXHAUST SYSTEM (VQ35DE)

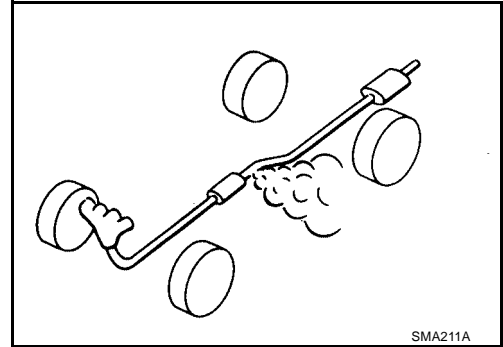
EXHAUST SYSTEM (VQ35DE)

PF20100

Checking Exhaust System

EBS0080W

Check exhaust pipes, muffler and mounting for improper attachment, leaks, cracks, damage or deterioration.



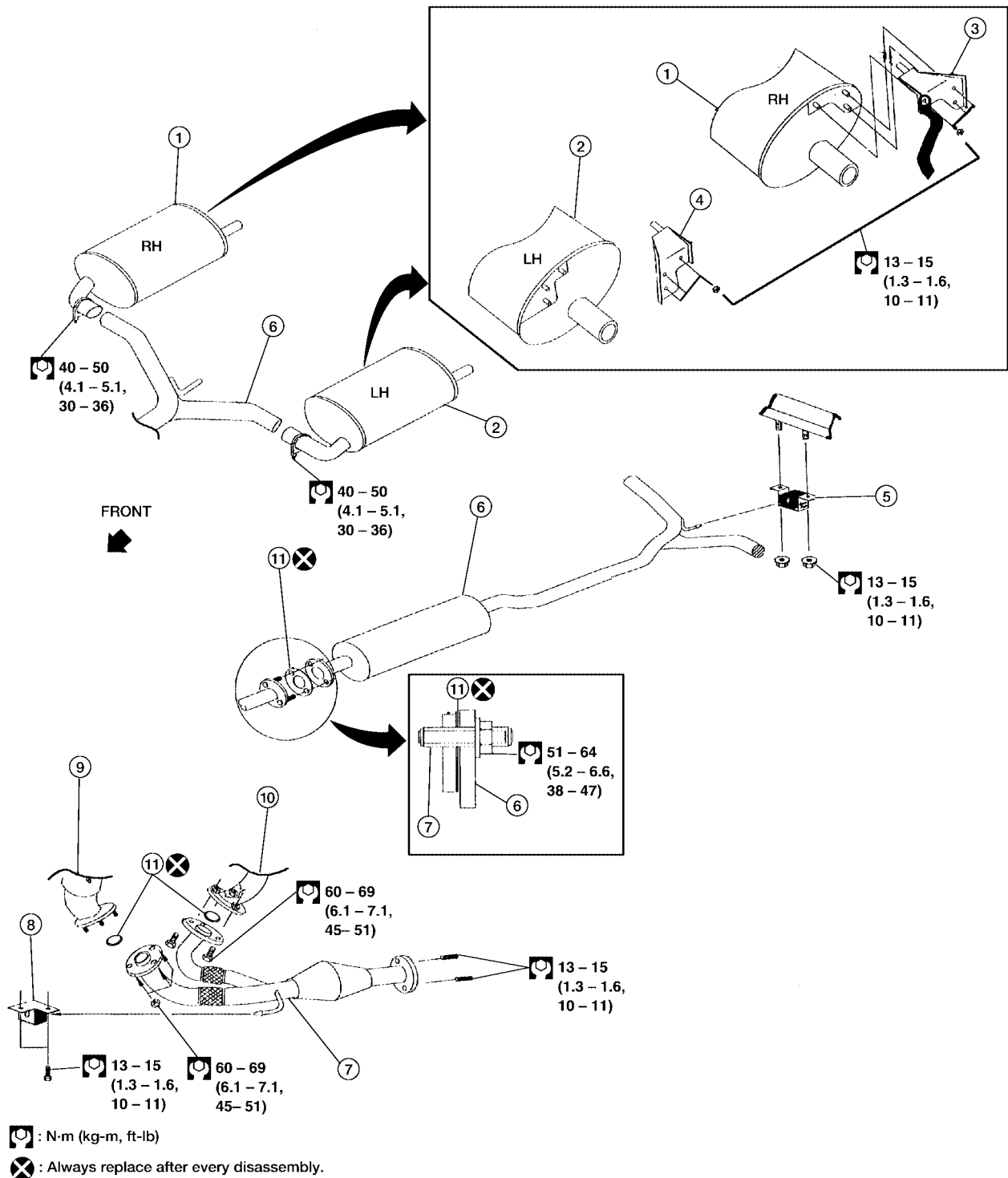
Removal and Installation

EBS0080X

CAUTION:

- Be sure to use genuine NISSAN exhaust system parts or equivalents which are specially designed for heat resistance, corrosion resistance, and shape.
- Perform the operation with the exhaust system fully cooled down because the system will be hot just after the engine stops.
- Be careful not to cut your hand on the insulator edge.

EXHAUST SYSTEM (VQ35DE)



WBIA0211E

- | | | |
|----------------------------|-------------------------------|--|
| 1. RH rear muffler | 2. LH rear muffler | 3. RH rear muffler bracket with ground strap |
| 4. LH rear muffler bracket | 5. Center exhaust tube hanger | 6. Center exhaust tube |
| 7. Front exhaust tube | 8. Front exhaust tube hanger | 9. LH exhaust manifold |
| 10. RH exhaust manifold | 11. Gasket | |

CAUTION:

- Always replace exhaust gaskets with new ones when reassembling.

EXHAUST SYSTEM (VQ35DE)

- If the insulator is badly deformed, repair or replace it. If deposits such as mud pile up on the insulator, remove them.
- When installing the insulator avoid large gaps or interference between the insulator and each exhaust pipe.
- Remove deposits from the sealing surface of each connection. Connect them securely to avoid gas leakage.
- Temporarily tighten mounting nuts on the exhaust manifold side and mounting bolts on the vehicle side. Check each part for unusual interference, and then tighten them to the specified torque.
- When installing each mounting rubber, avoid twisting or unusual extension in up/down and right/left directions.

Inspection After Installation

EBS008QY

- With the engine running, check exhaust tube joints for gas leakage and unusual noises.
- Check to ensure that mounting brackets and mounting insulators are installed properly and free from undue stress. Improper installation could result in excessive noise and vibration.