

SECTION **ACC**
ACCELERATOR CONTROL SYSTEM

A

ACC

C

D

CONTENTS

E

ACCELERATOR CONTROL SYSTEM	2	SERVICE DATA AND SPECIFICATIONS (SDS)	4	F
Removal and Installation	2	Accelerator Control	4	
		PEDAL TRAVEL	4	

G

H

I

J

K

L

M

ACCELERATOR CONTROL SYSTEM

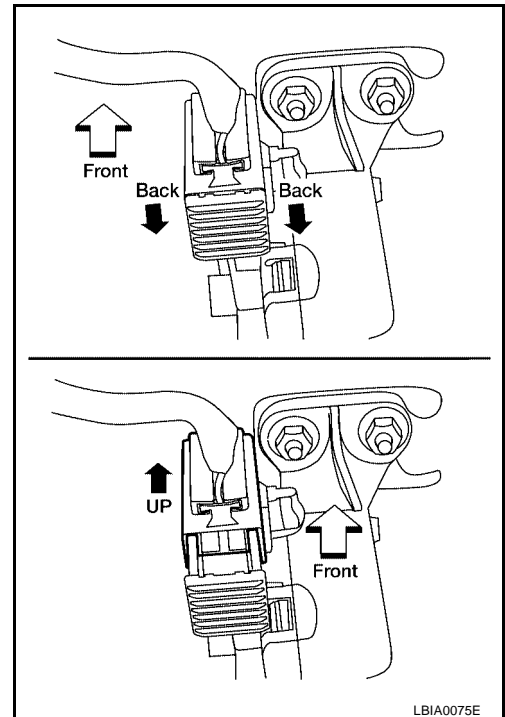
ACCELERATOR CONTROL SYSTEM

PFP:18005

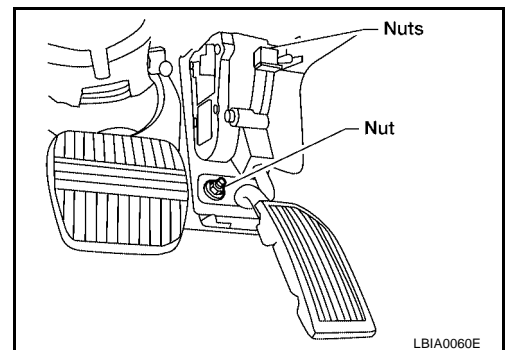
Removal and Installation

EBS00EW3

1. Disconnect the accelerator position sensor electrical connector.
 - a. Pull the connector lock back to unlock the connector from the accelerator pedal position sensor as shown.
 - b. Pull up on the connector to disconnect it from the accelerator pedal position sensor as shown.



2. Remove the upper and lower accelerator pedal nuts.



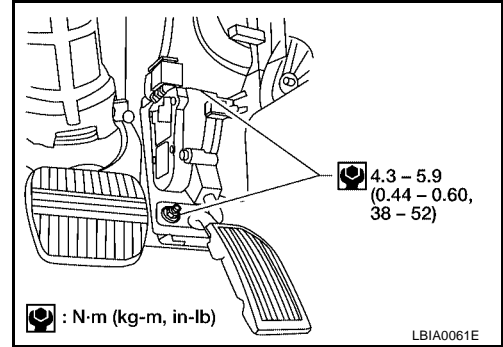
3. Remove the accelerator pedal and accelerator position sensor assembly.
 - For electrical inspection of the accelerator pedal position sensor. Refer to [EC-538, "ACCELERATOR PEDAL POSITION SENSOR"](#) (QR25DE), [EC-1149, "ACCELERATOR PEDAL POSITION SENSOR"](#) (VQ35DE).

CAUTION:

- Do not disassemble the pedal assembly. Do not remove the accelerator pedal position sensor from the pedal assembly.
- Avoid impact from dropping during handling.
- Keep the pedal assembly away from water.

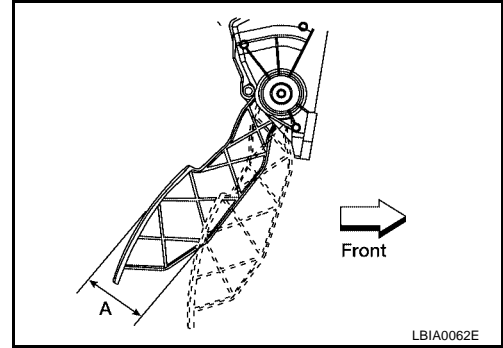
ACCELERATOR CONTROL SYSTEM

4. Installation should be performed in the reverse procedure of removal.
- Check the accelerator pedal for smooth operation. There should be no binding or sticking when applying or releasing the accelerator pedal.



- Check that the accelerator pedal moves through the full specified distance of pedal travel.

Pedal travel A : 52.6 - 58.2 mm (2.07 - 2.29 in)



CAUTION:

When the harness connector of the accelerator pedal position sensor is disconnected, perform the "Accelerator pedal released position learning". Refer to [EC-47, "Accelerator Pedal Released Position Learning"](#) (QR25DE), [EC-644, "Accelerator Pedal Released Position Learning"](#) (VQ35DE).

A
ACC
C
D
E
F
G
H
I
J
K
L
M

SERVICE DATA AND SPECIFICATIONS (SDS)

SERVICE DATA AND SPECIFICATIONS (SDS)

PFP:00030

Accelerator Control PEDAL TRAVEL

EBS00EW4

Accelerator control pedal - total travel	52.6 - 58.2 mm (2.07 - 2.29 in)
--	---------------------------------
