

SECTION **EX**
EXHAUST SYSTEM

A
EX
C
D
E
F
G
H
I
J
K
L
M

CONTENTS

PREPARATION	2	Removal and Installation	4	F
Special Service Tool	2	Inspection After Installation	5	
Commercial Service Tools	2	EXHAUST SYSTEM (VQ35DE)	6	G
EXHAUST SYSTEM (QR25DE)	3	Checking Exhaust System	6	
Checking Exhaust System	3	Removal and Installation	7	
		Inspection After Installation	8	H

PREPARATION

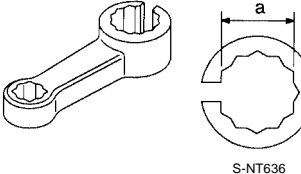
PREPARATION

PFP:00002

Special Service Tool

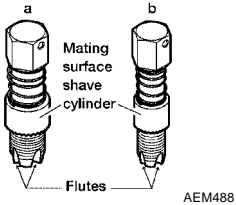

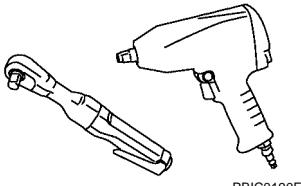
EBS00EVV

The actual shapes of Kent-Moore tools may differ from those of special service tools illustrated here.

Tool number (Kent-Moore No.) Tool name	Description
KV10114400 (J-38365) Heated oxygen sensor wrench <div style="text-align: center;">  <p>S-NT636</p> </div>	Loosening or tightening heated oxygen sensors: a: 22 mm (0.87 in)

Commercial Service Tools

EBS00EVV

(Kent-Moore No.) Tool name	Description
(J-43897-18) (J-43897-12) Oxygen sensor thread cleaner <div style="text-align: center;">  <p>AEM488</p> </div>	Reconditioning the exhaust system threads before installing a new oxygen sensor (Use with anti-seize lubricant shown below): a: J-43897-18 (18 mm dia.) for zirconia oxygen sensor b: J-43897-12 (12 mm dia.) for titania oxygen sensor
Anti-seize lubricant (Permatex 133AR or equivalent meeting MIL specification MIL-A-907) <div style="text-align: center;">  <p>AEM489</p> </div>	Lubricating oxygen sensor thread cleaning tool when reconditioning exhaust system threads
Power tool <div style="text-align: center;">  <p>PBIC0190E</p> </div>	Loosening nuts and bolts

EXHAUST SYSTEM (QR25DE)

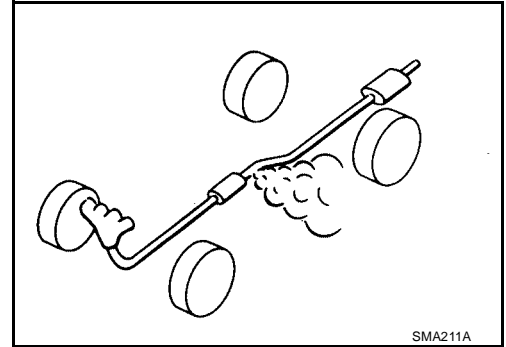
EXHAUST SYSTEM (QR25DE)

PF20100

Checking Exhaust System

EBS00EVX

Check the exhaust pipes, muffler, and mounting components for incorrect attachment, leaks, cracks, damage, or deterioration.



A

EX

C

D

E

F

G

H

I

J

K

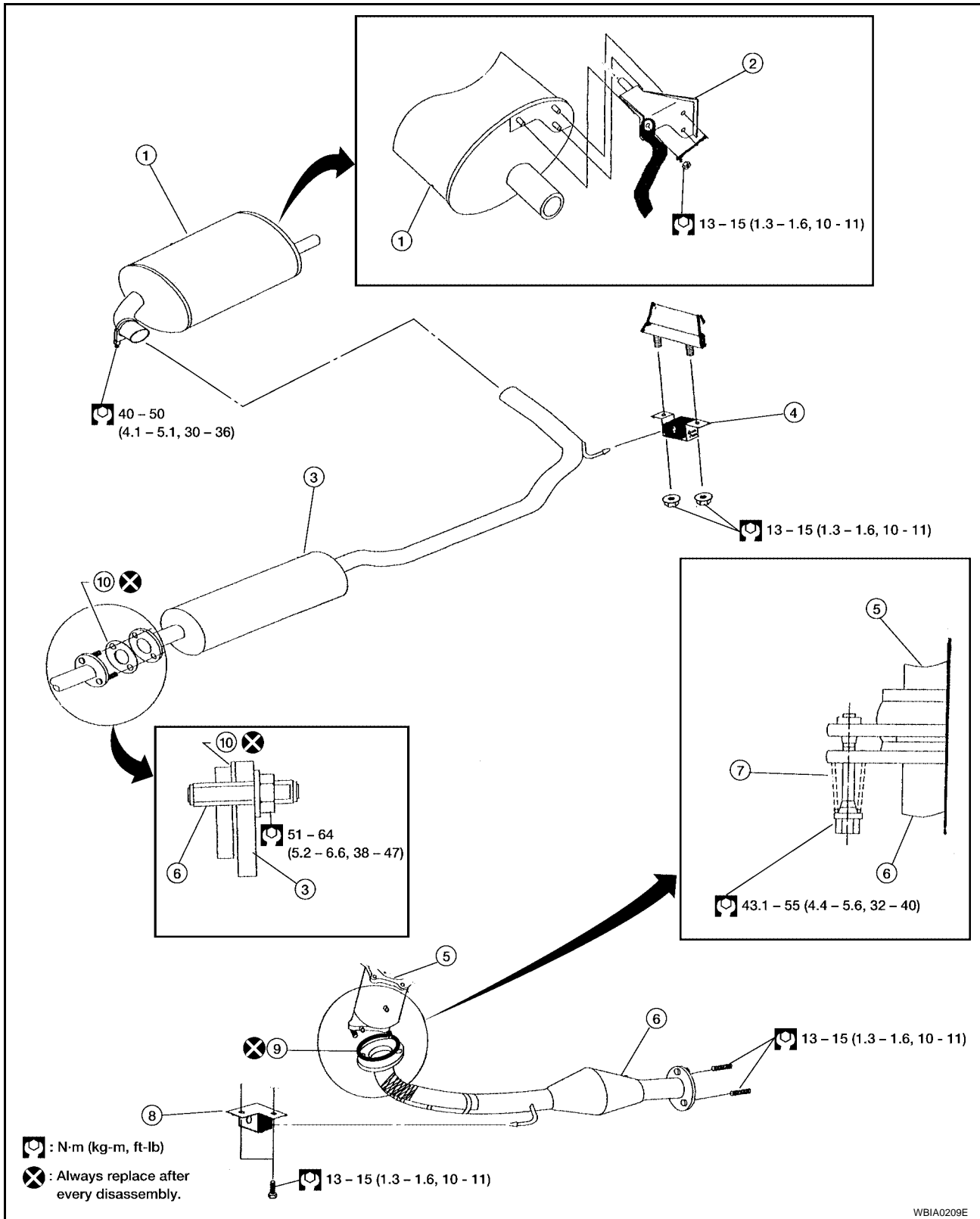
L

M

EXHAUST SYSTEM (QR25DE)

Removal and Installation

EBS00EVY

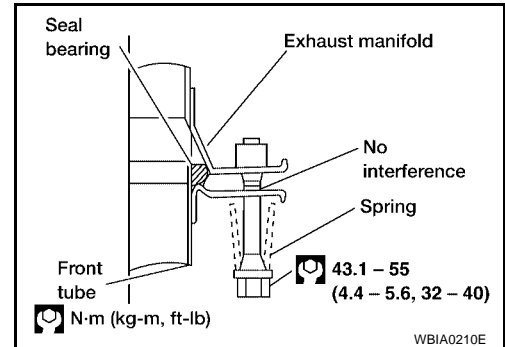


- | | | |
|-------------------------------|--|------------------------|
| 1. Rear muffler | 2. Rear muffler bracket (ground strap) | 3. Center exhaust tube |
| 4. Center exhaust tube hanger | 5. Exhaust manifold | 6. Front exhaust tube |
| 7. Front exhaust tube spring | 8. Front exhaust tube hanger | 9. Seal bearing |
| 10. Gasket | | |

EXHAUST SYSTEM (QR25DE)

CAUTION:

- Use genuine NISSAN exhaust system parts or equivalent, which are specifically designed for heat resistance, corrosion resistance, and shape.
- Perform the procedure with the exhaust system fully cooled down because the system will be hot just after the engine is turned off.
- Be careful not to cut your hand on the insulator edges.
- If the insulator is badly deformed, repair or replace it. If deposits such as mud pile up on the insulator, clean and inspect the insulator.
- When installing the insulator avoid large gaps or interference between the insulator and each exhaust pipe.
- Remove deposits from the sealing surface of each connection. Connect them securely to avoid exhaust gas leaks.
- Temporarily tighten the exhaust manifold side mounting nuts and the vehicle side mounting bolts. Check each part for any interference, and then tighten the nuts and bolts to specification.
- When installing each mounting rubber, avoid twisting or excessive extension in up/down and right/left directions.
- Tighten the mounting bolts without causing interference with the flange.
- Insert the seal bearing in the direction as shown. Tighten the mounting bolt with the big end of the spring facing the flange as shown.



Inspection After Installation

EBS00EVZ

- With the engine running, check the exhaust tube joints for exhaust gas leaks and abnormal noise.
- Check that the mounting brackets and mounting insulators are installed properly and free from excessive stress. Improper installation could result in excessive noise, leaks, and vibration.

EXHAUST SYSTEM (VQ35DE)

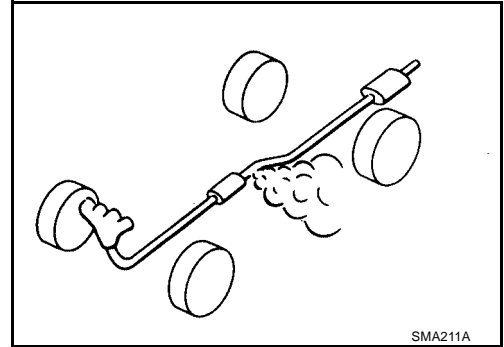
EXHAUST SYSTEM (VQ35DE)

PF20:20100

Checking Exhaust System

EBS00EW0

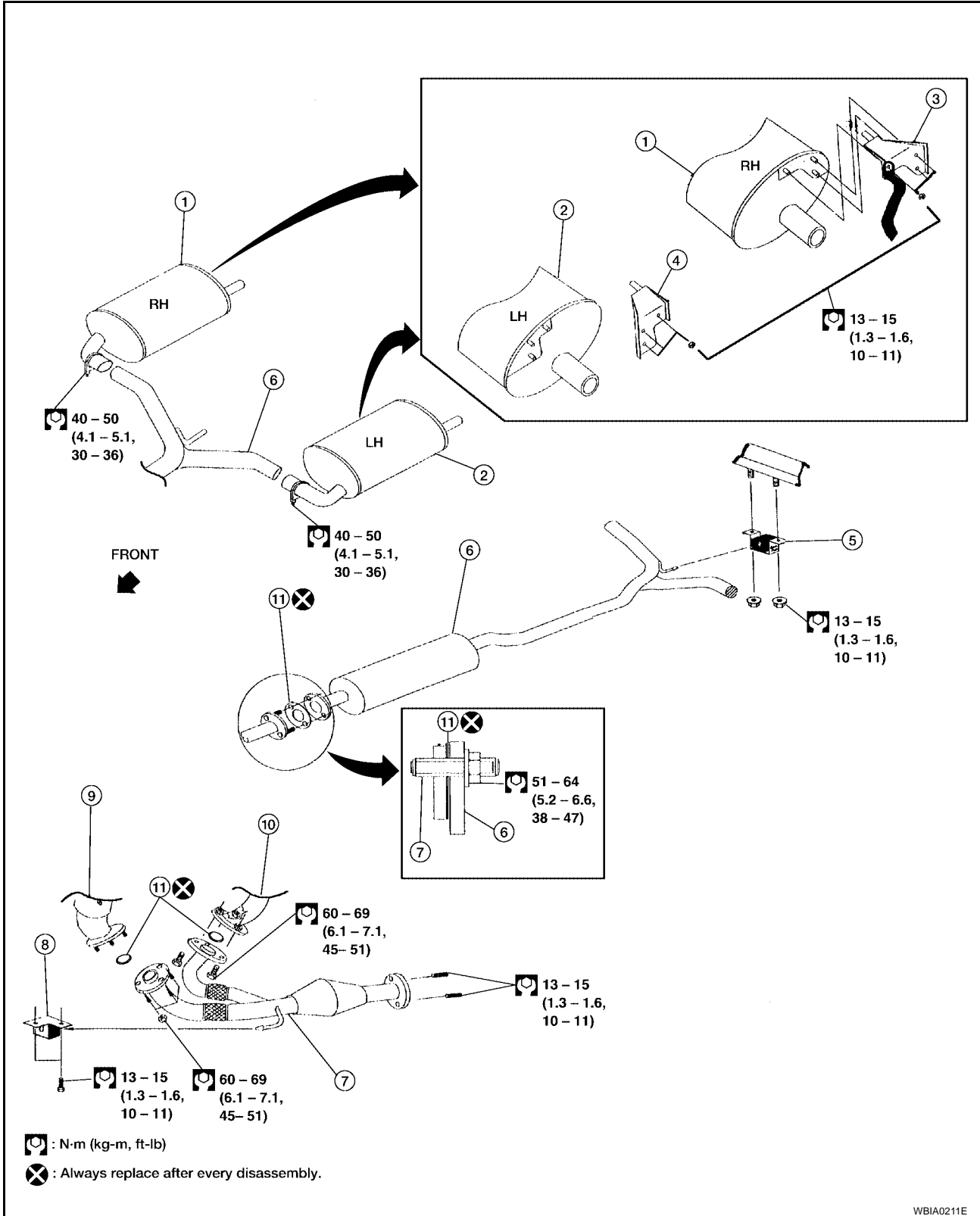
Check the exhaust pipes, muffler, and mounting components for incorrect attachment, leaks, cracks, damage, or deterioration.



EXHAUST SYSTEM (VQ35DE)

Removal and Installation

EBS00EW1



- | | | |
|----------------------------|-------------------------------|--|
| 1. RH rear muffler | 2. LH rear muffler | 3. RH rear muffler bracket with ground strap |
| 4. LH rear muffler bracket | 5. Center exhaust tube hanger | 6. Center exhaust tube |
| 7. Front exhaust tube | 8. Front exhaust tube hanger | 9. LH exhaust manifold |
| 10. RH exhaust manifold | 11. Gasket | |

EXHAUST SYSTEM (VQ35DE)

CAUTION:

- Use genuine NISSAN exhaust system parts or equivalent, which are specifically designed for heat resistance, corrosion resistance, and shape.
- Perform the procedures with the exhaust system fully cooled down because the system will be hot just after the engine is turned off.
- Be careful not to cut your hand on the insulator edge.
- Always replace the exhaust gaskets with new ones for installation.
- If any insulator is badly deformed, repair or replace it. If deposits such as mud pile up on the insulator, clean and inspect them.
- When installing the insulator avoid large gaps or interference between the insulator and the exhaust pipe.
- Remove any deposits from the sealing surface of each connection. Connect them securely to avoid exhaust gas leakage.
- Temporarily tighten the mounting nuts on the exhaust manifold side and the mounting bolts on the vehicle side. Check each part for interference with other components, and then tighten the nuts and bolts to specification.
- When installing each mounting rubber, avoid twisting or any over extension in up/down and right/left directions.

Inspection After Installation

EBS00EW2

- With the engine running, check the exhaust tube joints for exhaust gas leaks and unusual noises.
- Check that the mounting brackets and mounting insulators are installed properly and free from excessive stress. Improper installation could result in excessive noise, leaks, and vibration.