

SECTION **FSU**  
FRONT SUSPENSION

A  
B  
C

D

FSU

CONTENTS

<b>PRECAUTIONS</b> .....	2	MOUNTING INSULATOR AND RUBBER PARTS..	10	F
Precautions .....	2	THRUST BEARING .....	10	
<b>PREPARATION</b> .....	3	COIL SPRING .....	10	
Special Service Tools .....	3	Assembly .....	10	G
Commercial Service Tools .....	3	<b>STABILIZER BAR</b> .....	11	
<b>NOISE, VIBRATION, AND HARSHNESS (NVH)</b>		Removal and Installation .....	11	
<b>TROUBLESHOOTING</b> .....	4	REMOVAL .....	11	H
NVH Troubleshooting Chart .....	4	INSTALLATION .....	11	
<b>FRONT SUSPENSION ASSEMBLY</b> .....	5	Inspection .....	12	
Components .....	5	<b>TRANSVERSE LINK</b> .....	13	
On-vehicle Service .....	6	Removal and Installation .....	13	I
FRONT SUSPENSION PARTS .....	6	REMOVAL .....	13	
Front Wheel Alignment .....	6	INSPECTION AFTER REMOVAL .....	13	
DESCRIPTION .....	6	INSTALLATION .....	13	J
PRELIMINARY INSPECTION .....	6	<b>FRONT SUSPENSION MEMBER</b> .....	14	
CAMBER, CASTER AND KINGPIN INCLINA- TION .....	7	Removal and Installation .....	14	
TOE-IN .....	7	REMOVAL .....	14	K
FRONT WHEEL TURNING ANGLE .....	8	INSTALLATION .....	15	
<b>COIL SPRING AND SHOCK ABSORBER</b> .....	9	<b>SERVICE DATA AND SPECIFICATIONS (SDS)</b> .....	16	
Removal and Installation .....	9	General Specifications (Front) .....	16	L
Disassembly .....	9	Front Wheel Alignment (Unladen*1) .....	16	
Inspection .....	9	Lower Ball Joint .....	16	
SHOCK ABSORBER ASSEMBLY .....	9	Wheelarch Height (Unladen*) .....	17	M

# PRECAUTIONS

---

## PRECAUTIONS

PFP:00001

### Precautions

EES000JH

- When installing rubber parts, final tightening must be carried out under unladen condition\* with tires on ground.  
Oil will shorten the life of rubber bushings. Be sure to wipe off any spilled oil.  
\*: Fuel, radiator coolant and engine oil full. Spare tire, jack, hand tools and mats in designated positions.
- After installing removed suspension parts, check wheel alignment and adjust if necessary.
- Lock nuts are un reusable parts; always use new ones.  
When replacing, do not wipe the oil off the new lock nut before tightening.

# PREPARATION

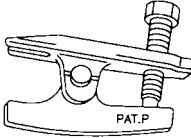
## PREPARATION

PFP:00002

### Special Service Tools

EES000JI

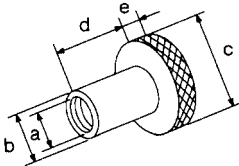
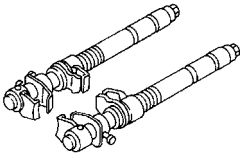
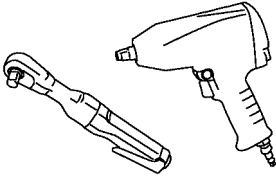
The actual shapes of Kent-Moore tools may differ from those of special service tools illustrated here.

Tool number (Kent-Moore No.) Tool name	Description
HT72520000 (J25730-A) Ball joint remover   NT146	Removing tie-rod outer end and lower ball joint

### Commercial Service Tools

EES000JJ

FSU

Tool name	Description
Attachment Wheel alignment   NT148	Measure wheel alignment <b>a: Screw M24 x 1.5 pitch</b> <b>b: 35 mm (1.38 in) dia.</b> <b>c: 65 mm (2.56 in) dia.</b> <b>d: 56 mm (2.20 in)</b> <b>e: 12 mm (0.47 in)</b>
Spring compressor   NT717	Removing and installing coil spring
Power tool   PBIC0190E	Loosening bolts and nuts

# NOISE, VIBRATION, AND HARSHNESS (NVH) TROUBLESHOOTING

## NOISE, VIBRATION, AND HARSHNESS (NVH) TROUBLESHOOTING

PFP:00003

### NVH Troubleshooting Chart

EES000JK

Use the following chart to help you find the cause of the symptom. If necessary, repair or replace these parts.

Reference page		<a href="#">FSU-5</a>	<a href="#">FSU-9</a>	<a href="#">FSU-10</a>	—	<a href="#">FSU-10</a>	<a href="#">FSU-5</a>	<a href="#">FSU-6</a>	<a href="#">FSU-12</a>	<a href="#">FAX-4, "NVH Troubleshooting Chart"</a>	<a href="#">FAX-4, "NVH Troubleshooting Chart"</a>	<a href="#">WT-2, "NVH Troubleshooting Chart"</a>	<a href="#">WT-2, "NVH Troubleshooting Chart"</a>	<a href="#">BR-5, "NVH Troubleshooting Chart"</a>	<a href="#">PS-5, "NVH Troubleshooting Chart"</a>
Possible Cause and SUSPECTED PARTS		Improper installation, looseness	Shock absorber deformation, damage or deflection	Bushing or mounting deterioration	Parts interference	Spring fatigue	Suspension looseness	Incorrect wheel alignment	Stabilizer bar fatigue	DRIVE SHAFT	AXLE	TIRES	ROAD WHEEL	BRAKES	STEERING
Symptom	Noise	x	x	x	x	x	x			x	x	x	x	x	x
	Shake	x	x	x	x		x			x	x	x	x	x	x
	Vibration	x	x	x	x	x				x	x	x			x
	Shimmy	x	x	x	x			x			x	x	x	x	x
	Shudder	x	x	x							x	x	x	x	x
	Poor quality ride or handling	x	x	x	x	x		x	x		x	x	x		

x: Applicable

# FRONT SUSPENSION ASSEMBLY

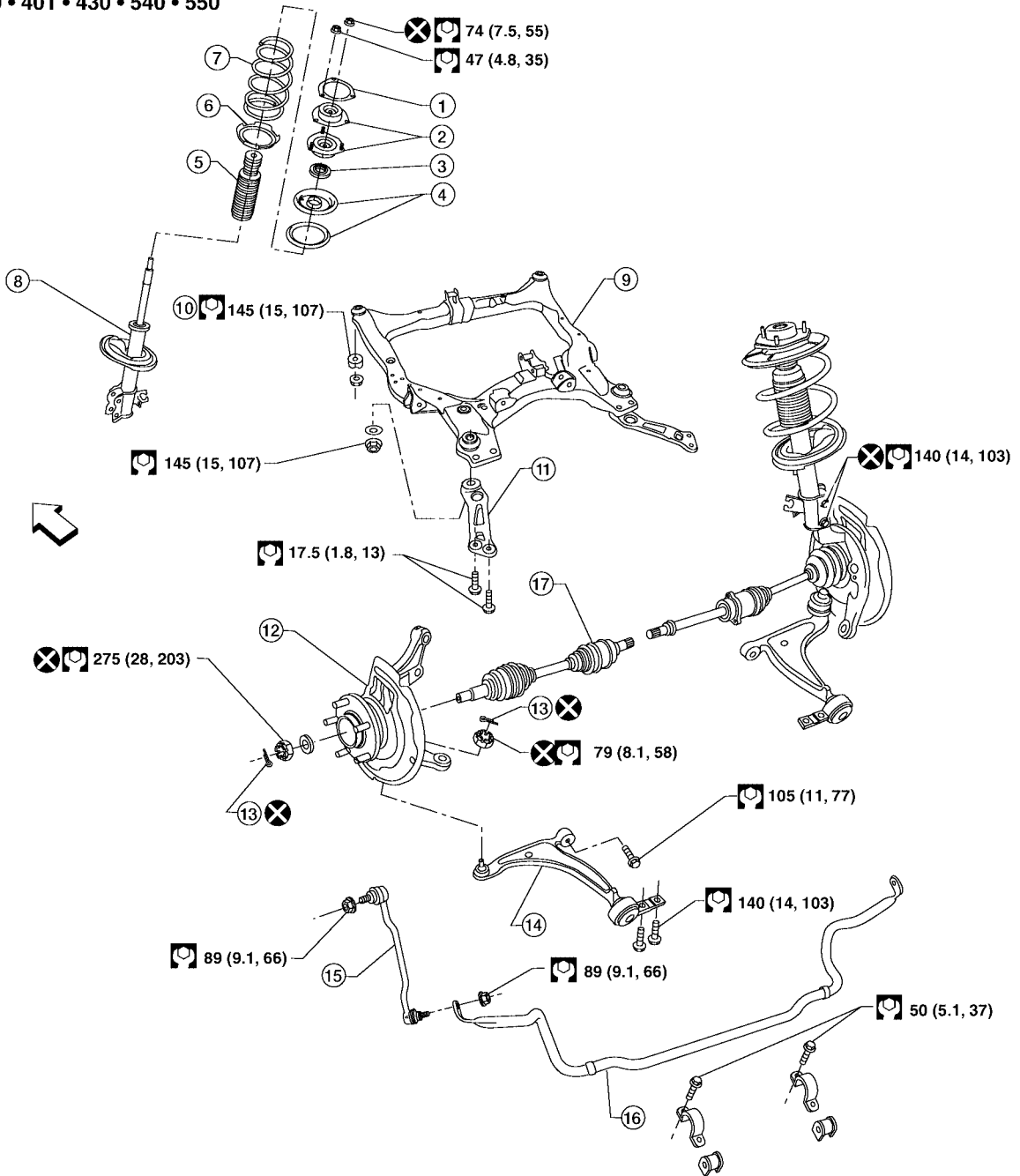
## FRONT SUSPENSION ASSEMBLY

PFP:54010

### Components

EES000JL

SEC. 400 • 401 • 430 • 540 • 550



- |  |   |   |
|--|---|---|
| 1. Gasket                                  | 2. Shock absorber mounting insulator and bearing assembly | 3. Shock absorber bushing                   |
| 4. Upper rubber seat and spring upper seat | 5. Dust cover   | 6. Lower rubber seat                        |
| 7. Coil spring                             | 8. Shock absorber   | 9. Front suspension member                  |
| 10. Cup                                    | 11. Member pin stay                                       | 12. Wheel hub and steering knuckle assembly |
| 13. Cotter pin                             | 14. Transverse link                                       | 15. Connecting rod                          |
| 16. Stabilizer bar                         | 17. Driveshaft  | ← Front                                     |

WEIA0148E

# FRONT SUSPENSION ASSEMBLY

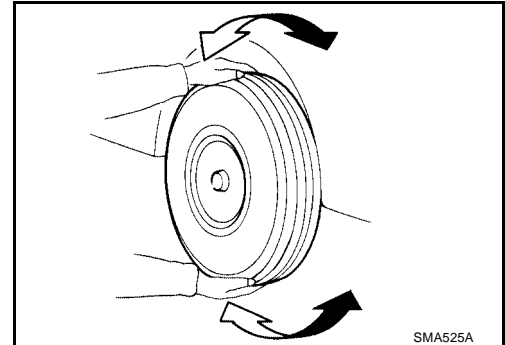
EES000JM

## On-vehicle Service FRONT SUSPENSION PARTS

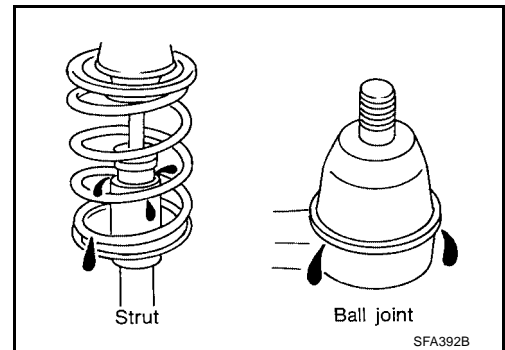
Check front axle and front suspension parts for excessive play, cracks, wear or other damage.

- Shake each front wheel to check for excessive play.
- Make sure that cotter pin is inserted.
- Retighten all axle and suspension nuts and bolts to the specified torque.

**Tightening torque** : Refer to [FSU-5, "Components"](#) .



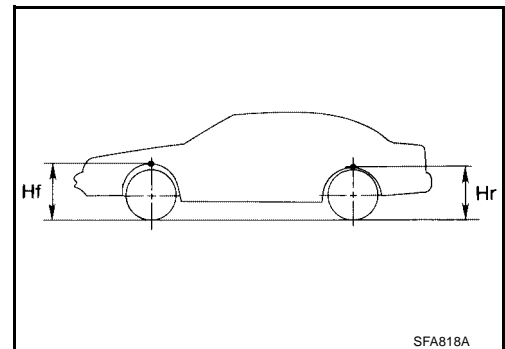
- Check strut (shock absorber) for oil leakage or other damage.
- Check suspension ball joint for grease leakage and ball joint dust cover for cracks or other damage.  
If ball joint dust cover is cracked or damaged, replace transverse link.



- Check spring height from top of wheelarch to the ground.
  - Vehicle must be unladen\*, parked on a level surface, and tires checked for proper inflation and wear (tread wear indicator must not be showing).  
\*: Fuel, radiator coolant and engine oil full. Spare tire, jack, hand tools and mats in designated positions.
  - Bounce vehicle up and down several times before measuring.

**Standard height** : Refer to [FSU-17, "Wheelarch Height \(Unladen\\*\)"](#) .

- Spring height is not adjustable. If out of specification, check for worn springs or suspension parts.



## Front Wheel Alignment DESCRIPTION

EES000JN

Before checking front wheel alignment, be sure to make a preliminary inspection (Unladen\*).

\*: Fuel, radiator coolant and engine oil full. Spare tire, jack, hand tools and mats in designated positions.

### PRELIMINARY INSPECTION

- Check tires for wear and improper inflation.
- Check wheel runout.

**Wheel runout** : Refer to [WT-3, "Inspection"](#) .

- Check front wheel bearings for looseness.
- Check front suspension for looseness.
- Check steering linkage for looseness.
- Check that front shock absorbers work properly.
- Check vehicle posture (Unladen).

# FRONT SUSPENSION ASSEMBLY

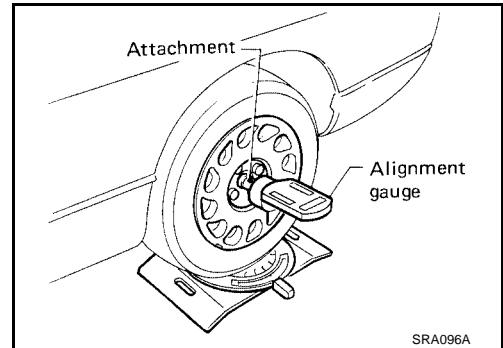
## CAMBER, CASTER AND KINGPIN INCLINATION

Camber, caster and kingpin inclination are preset at factory and cannot be adjusted.

1. Measure camber, caster and kingpin inclination of both right and left wheels with a suitable alignment gauge.

**Camber, caster and kingpin inclination** : Refer to [FSU-16, "Front Wheel Alignment \(Unladen\\*1\)"](#)

2. If camber, caster or kingpin inclination is not within specification, inspect front suspension parts. Replace damaged or worn out parts.

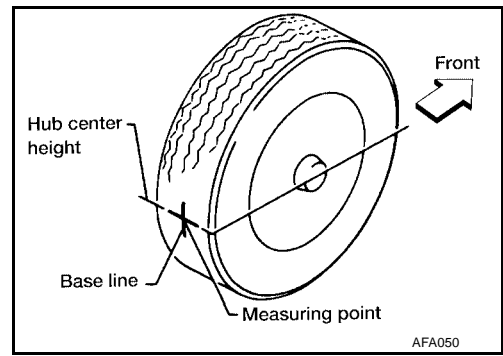


## TOE-IN

Measure toe-in using the following procedure.

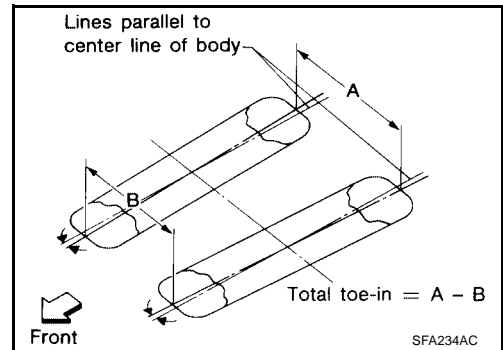
### WARNING:

- Always perform the following procedure on a flat surface.
  - Make sure that no person is in front of the vehicle before pushing it.
1. Bounce front of vehicle up and down to stabilize the posture.
  2. Push the vehicle straight ahead about 5 m (16 ft).
  3. Put a mark on base line of tread (rear side) of both tires at the same height as hub center. These are measuring points.



4. Measure distance "A" (rear side).
5. Push the vehicle slowly ahead to rotate the wheels 180 degrees (1/2 turn).  
If the wheels have rotated more than 180 degrees (1/2 turn), try the above procedure again from the beginning. Never push vehicle backward.
6. Measure distance "B" (front side).

**Total toe-in** : Refer to [FSU-16, "Front Wheel Alignment \(Unladen\\*1\)"](#) .

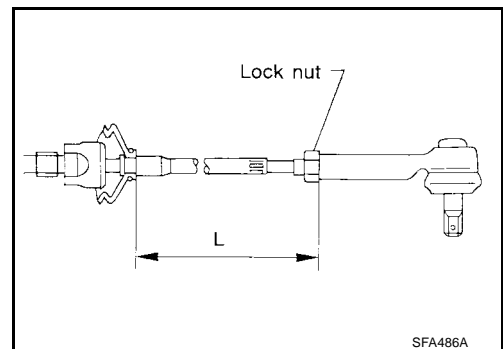


7. Adjust toe-in by varying the length of steering tie-rods.
  - a. Loosen lock nuts.
  - b. Adjust toe-in by screwing tie-rods in and out.

**Standard length "L"** : Refer to [PS-28, "Steering Gear and Linkage"](#) .

- c. Tighten lock nuts to specified torque.

**Lock nut tightening torque** : Refer to [PS-13, "Removal and Installation"](#) .



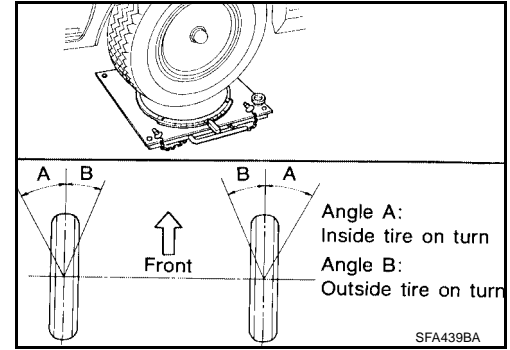
# FRONT SUSPENSION ASSEMBLY

## FRONT WHEEL TURNING ANGLE

1. Set wheels in straight-ahead position. Then move vehicle forward until front wheels rest on turning radius gauge properly.
2. Rotate steering wheel all the way right and left; measure turning angle.

**Wheel turning  
angle (Full turn)**

**: Refer to [FSU-16, "Front Wheel Alignment \(Unladen\\*1\)"](#) .**





# COIL SPRING AND SHOCK ABSORBER

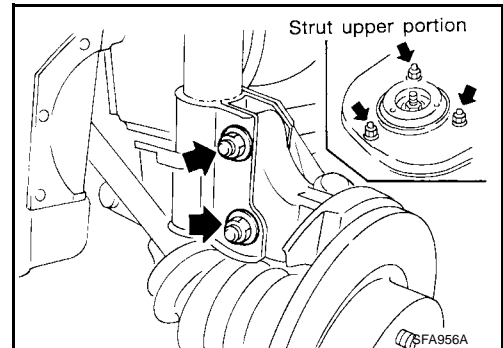
PFP:56210

EES000JO

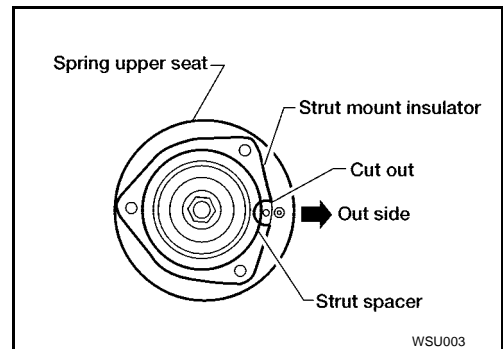
## COIL SPRING AND SHOCK ABSORBER

### Removal and Installation

- Remove shock absorber fixing bolts and nuts, using power tool.
- Do not remove piston rod lock nut on vehicle.



- When installing strut spacer, it must be positioned as shown.

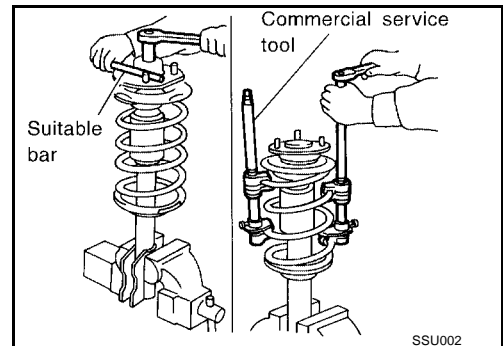


### Disassembly

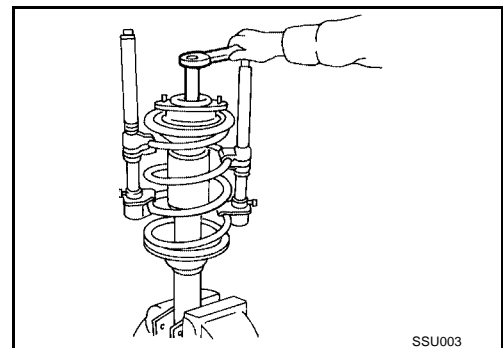
1. Set shock absorber on vise, then **loosen** piston rod lock nut.
  - Do not remove piston rod lock nut at this time.
2. Compress spring with Tool so that shock absorber mounting insulator can be turned by hand.

#### **WARNING:**

Make sure that the pawls of the two spring compressors are firmly hooked on the spring. The spring compressors must be tightened alternately so as not to tilt the spring.



3. Remove piston rod lock nut.



### Inspection

#### SHOCK ABSORBER ASSEMBLY

- Check for smooth operation through a full stroke, both compression and extension.
- Check for oil leakage on welded or gland packing portions.
- Check piston rod for cracks, deformation or other damage and replace if necessary.

EES000JO

A  
B  
C  
D  
FSU  
F  
G  
H  
I  
J  
K  
L  
M

# COIL SPRING AND SHOCK ABSORBER

## MOUNTING INSULATOR AND RUBBER PARTS

- Check cemented rubber-to-metal portion for separation or cracks. Check rubber parts for deterioration and replace if necessary.

## THRUST BEARING

- Check thrust bearing parts for abnormal noise or excessive rattle in axial direction and replace if necessary.

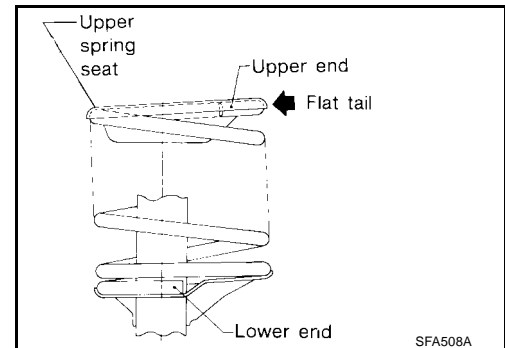
## COIL SPRING

- Check for cracks, deformation or other damage and replace if necessary.

## Assembly

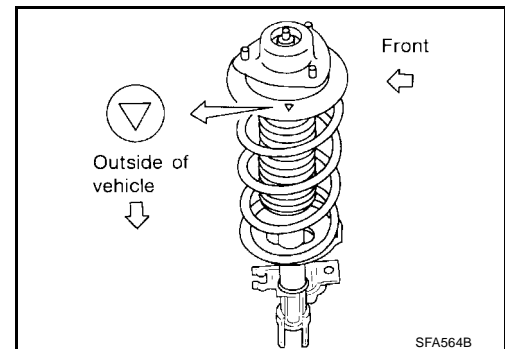
- When installing coil spring on strut, it must be positioned as shown.

EES000JR



- Install upper spring seat with alignment mark facing the outer side of vehicle, in line with strut-to-knuckle attachment points.
- **Replace strut lower mounting nuts.**
- **When installing strut to knuckle, be sure to hold bolts and tighten nuts.**

**Strut lower mounting nuts : 125 - 155 N·m (13.0 - 16.0 kg-m, 93 - 114 ft-lb)**



# STABILIZER BAR

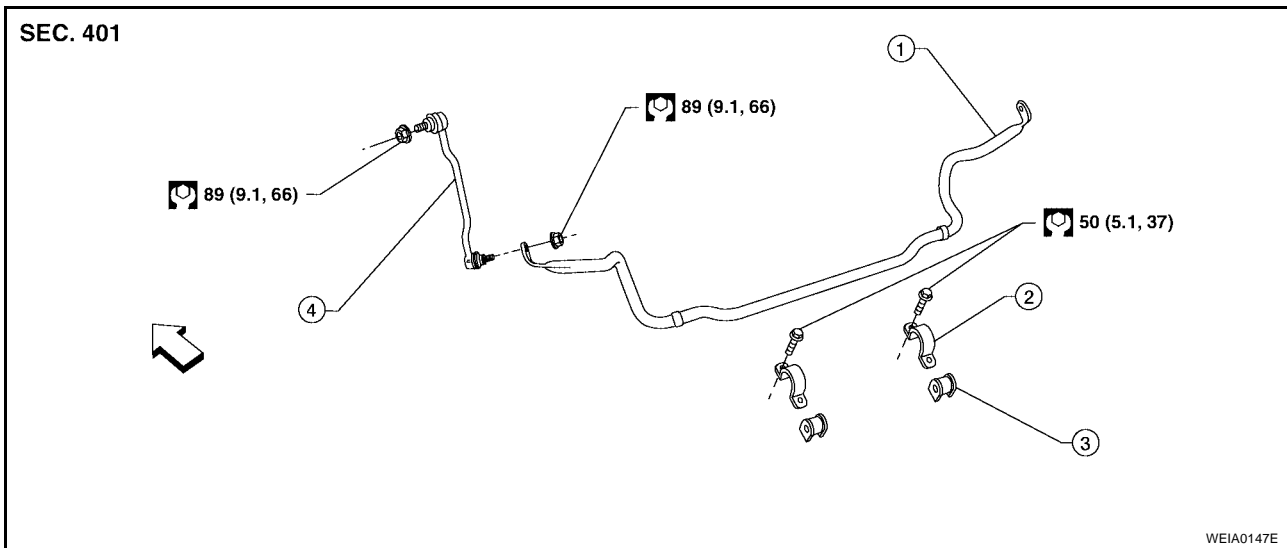
## STABILIZER BAR

### Removal and Installation

PF:P:54611

EES000YF

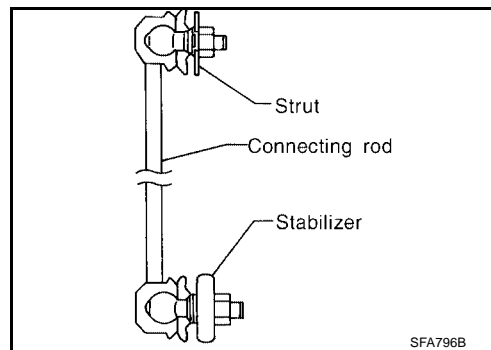
SEC. 401



- |                   |            |            |
|-------------------|------------|------------|
| 1. Stabilizer bar | 2. Bracket | 3. Bushing |
| 4. Connecting rod | ← Front    |            |

### REMOVAL

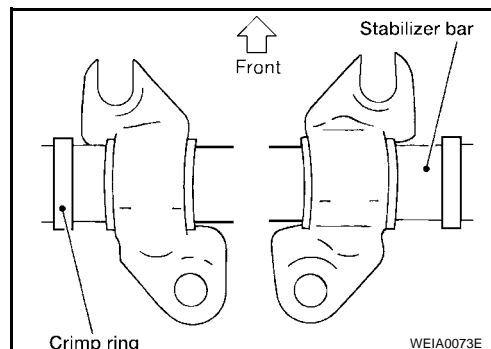
- Remove the wheel and tire.
- On models equipped with VQ35DE engine, remove front exhaust tube using power tool. Refer to [EX-7, "Removal and Installation"](#).
- Disconnect the connecting rod end at the stabilizer bar using power tool.
  - Prevent the stabilizer connecting rod from turning by inserting a hex wrench into the end of the ball stud, then remove nut.
- On models equipped with VQ35DE engine, remove the rear engine mount insulator using power tool. Refer to [FSU-14, "Removal and Installation"](#).
- On models equipped with VQ35DE engine, remove the left-hand and right-hand member pin stays using power tool, then remove the rear suspension member mounting nuts. Refer to [FSU-14, "Removal and Installation"](#).
  - Support rear of suspension member, then lower rear of suspension member to gain access to stabilizer bar mounting brackets.
- Remove the two stabilizer bar brackets from the front suspension member using power tool.
- Remove the front stabilizer bar.
  - Remove the two stabilizer bushings as necessary.



### INSTALLATION

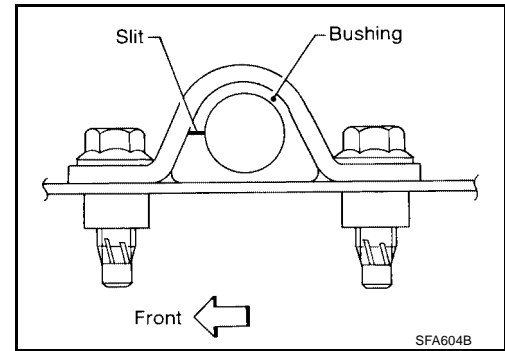
Installation is in the reverse order of removal.

- When installing stabilizer, make sure that the clamps are facing in the correct direction as shown.

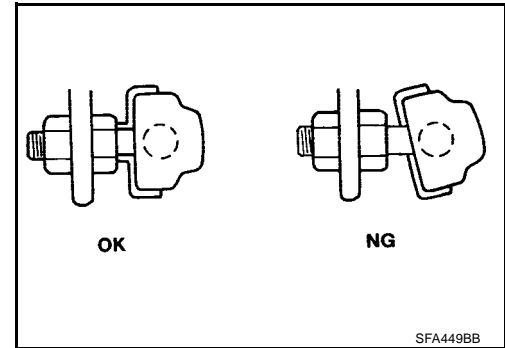


# STABILIZER BAR

- Make sure that slit in bushing is in the position as shown.
- Lubricate the inner and outer surfaces of the bushing using a silicone lubricant.

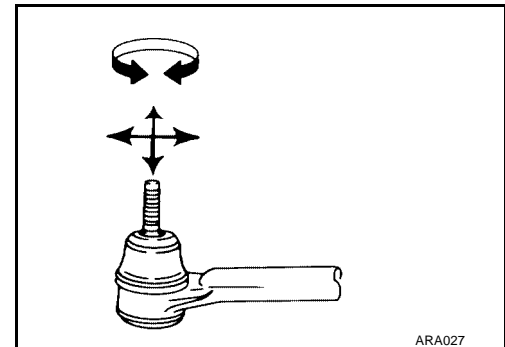


- Install stabilizer bar with ball joint socket properly placed.
- When installing the wheel and tire, refer to [WT-5, "Rotation"](#) for wheel nut tightening torque.



## Inspection

- Check the stabilizer bar for deformation or cracks and replace if necessary.
- Check the bushings for deterioration or cracks. Replace if necessary.
- Check that the ball joint can rotate in all directions. If movement is not smooth and free, replace stabilizer bar connecting rod.



EES000YG

# TRANSVERSE LINK

PFP:54500

EES000JU

## TRANSVERSE LINK

### Removal and Installation

#### REMOVAL

1. Remove the steering knuckle from the transverse link, using power tool. Refer to [FAX-6, "Removal and Installation"](#).
2. Remove the mounting nuts using power tool, and washer and bushing from the lower side of the stabilizer connecting rod.
3. Loosen the transverse link mounting bolts a little, using power tool.
4. Remove mounting bolts from the compression rod bracket, using power tool.
5. Remove the mounting bolts and nuts from the transverse link, then remove it from the suspension member.

#### INSPECTION AFTER REMOVAL

##### Visual Check

- Check transverse link for damage, cracks or deformation. Replace it if necessary.
- Check rubber bushing for damage, cracks and deformation. Replace transverse link if necessary.

##### Lower Ball Joint

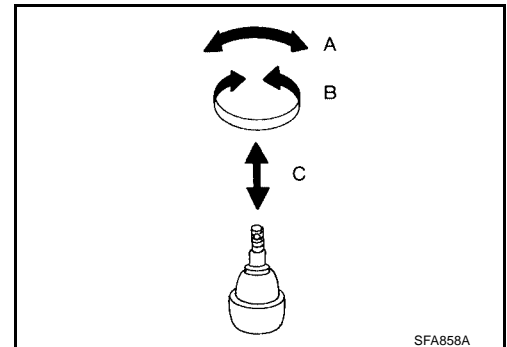
- Check ball joint for excessive play. Replace transverse link assembly if any of the following exists:
  - Ball stud is worn.
  - Joint is hard to swing.
  - Play in axial direction is excessive.

##### NOTE:

Before checking, turn ball joint at least 10 revolutions so that ball joint is properly broken in.

##### Swinging Force

Swinging force "A" (measuring from cotter pin hole of ball stud) : 7.8 - 54.9 N (0.8 - 5.6 kg-f, 1.8 - 12.3 lb-f)



##### Turning Force

Turning torque "B" : 0.49 - 3.43 N-m (5.0 - 35.0 kg-cm, 4.3 - 30.4 in-lb)

##### Vertical End Play

Vertical end play "C" : 0 mm (0 in)

- Check dust cover for damage. Replace it and cover clamp if necessary.

#### INSTALLATION

- Tighten transverse link mounting bolts to specified torque, refer to [FSU-5, "Components"](#). During installation, final tightening must be carried out at curb weight with tires on ground.
- After installation, check wheel alignment. Refer to [FSU-6, "Front Wheel Alignment"](#).

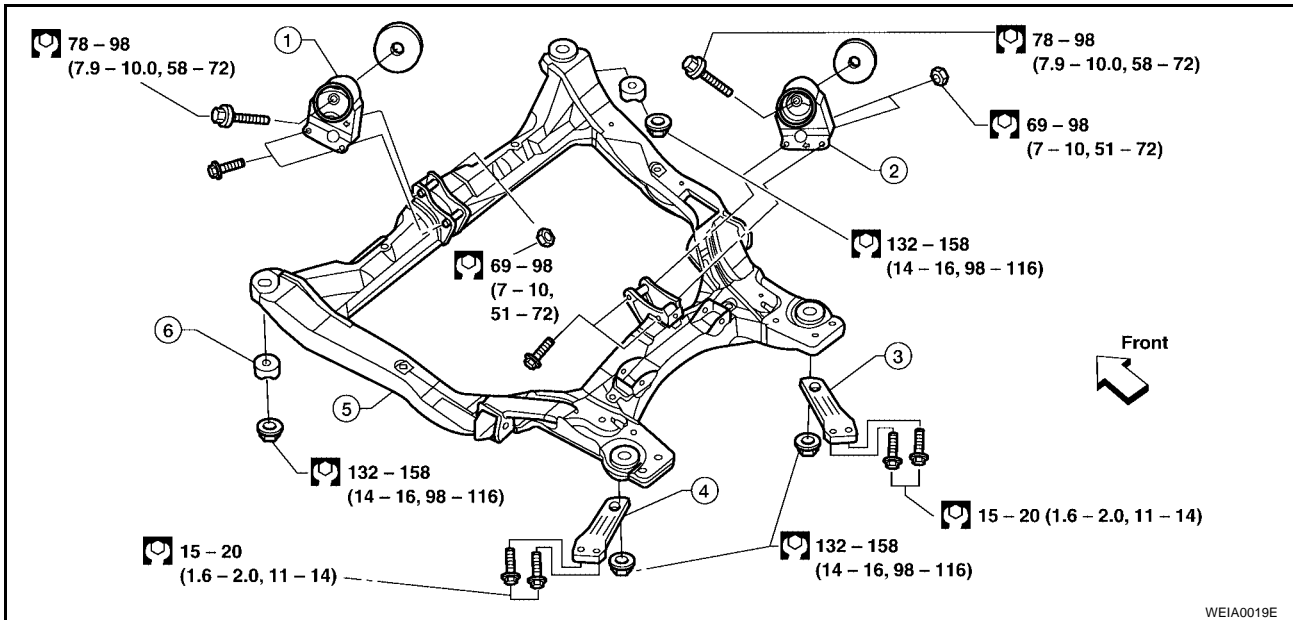
# FRONT SUSPENSION MEMBER

PFP:54401

## FRONT SUSPENSION MEMBER

### Removal and Installation

EES0000S



- |                        |                            |                        |
|------------------------|----------------------------|------------------------|
| 1. Front engine mount  | 2. Rear engine mount       | 3. Member pin stay, RH |
| 4. Member pin stay, LH | 5. Front suspension member | 6. Cup                 |

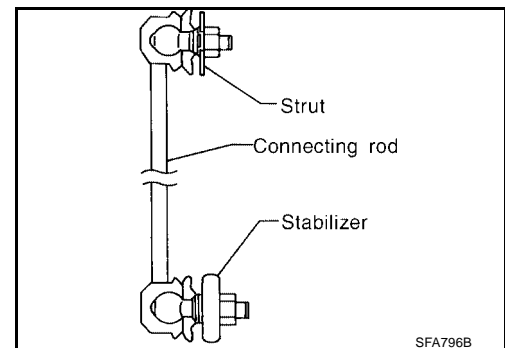
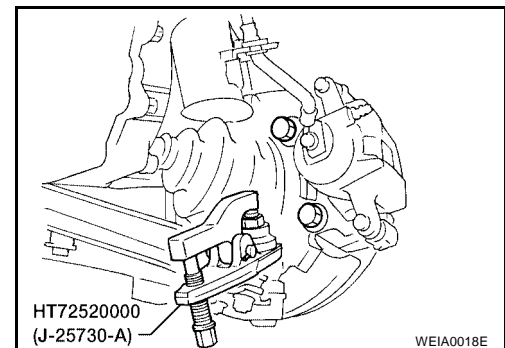
### REMOVAL

1. Remove the engine under cover.
2. Remove the front wheels and tires. Refer to [WT-5, "Rotation"](#).
3. Remove the splash shields.
4. Remove the lower ball joint cotter pin and remove the lower ball joint nut using power tool.

#### CAUTION:

**Discard the cotter pin and use a new cotter pin for installation.**

5. Disconnect the lower ball joint from the steering knuckle using Tool as shown.
6. Remove the front exhaust tube using power tool. Refer to [EX-4, "Removal and Installation"](#) (QR25DE), [EX-7, "Removal and Installation"](#) (VQ35DE).
7. Remove the power steering line bracket from the front suspension member.
8. Remove the mounting bolts on the lower side of the steering gear. Refer to [PS-13, "Removal and Installation"](#).
9. Disconnect the front and rear engine mount electrical connectors, if equipped.
10. Disconnect the connecting rod from the front strut using power tool.
11. Set a transmission jack under the front suspension member, then remove the mounting nuts from the front suspension member using power tool.
12. Remove the mounting bolts from the front suspension member pin stay on the vehicle body side using power tool.
13. Remove the through bolts from the front and rear engine mounts.
14. Lower the transmission jack slowly to remove the suspension member.



## FRONT SUSPENSION MEMBER

- If necessary, remove the steering bracket heat insulator and exhaust hanger bracket from the front suspension member.
- If necessary, remove the front and rear engine mounts.
- If necessary, remove the transverse link.

### INSTALLATION

Installation is in the reverse order of removal.

- Tighten the stabilizer bar and connecting rod nuts and bolts to specification. Refer to [FSU-5, "Components"](#).

**CAUTION:**

**Tighten the suspension nuts and bolts with the vehicle on the ground.**

- Install the stabilizer bar bushings and brackets in the specified orientation. Refer to [FSU-11, "Removal and Installation"](#).
- Tighten the steering gear mounting bolts to specification. Refer to [PS-13, "Removal and Installation"](#).
- Check the wheel alignment. Refer to [FSU-6, "Front Wheel Alignment"](#).

A

B

C

D

FSU

F

G

H

I

J

K

L

M

# SERVICE DATA AND SPECIFICATIONS (SDS)

## SERVICE DATA AND SPECIFICATIONS (SDS)

PF0:00030

### General Specifications (Front)

EES000JW

Suspension type	Independent MacPherson strut
Shock absorber type	Double-acting hydraulic
Stabilizer bar	Standard equipment

### Front Wheel Alignment (Unladen\*1)

EES000JX

Tire size		205/65R16	215/55R17	
Camber Degree minute (Decimal degree)	Minimum	-1°00' (-1.00°)		
	Nominal	-0°15' (-0.25°)		
	Maximum	0°30' (0.50°)		
	Left and right difference	45' (0.75°) or less		
Caster Degree minute (Decimal degree)	Minimum	2°05' (2.08°)		
	Nominal	2°50' (2.83°)		
	Maximum	3°35' (3.58°)		
	Left and right difference	45' (0.75°) or less		
Kingpin inclination Degree minute (Decimal degree)	Minimum	13°50' (13.83°)		
	Nominal	14°35' (14.58°)		
	Maximum	15°20' (15.33°)		
Total toe-in	Distance (A - B) mm (in)	Minimum	-0.5 (-0.02)	
		Nominal	0.5 (0.02)	
		Maximum	1.5 (0.06)	
	Angle (left plus right) Degree minute (Decimal degree)	Minimum	-4' (-0.07°)	
		Nominal	2' (0.03°)	
		Maximum	8' (0.13°)	
Wheel turning angle Full turn*2	Inside Degree minute (Decimal degree)	Minimum	34°30' (34.5°)	32°00' (32.0°)
		Nominal	38°00' (38.0°)	35°30' (35.5°)
		Maximum	39°00' (39.0°)	36°30' (36.5°)
	Outside Degree minute (Decimal degree)	Nominal	30°30' (30.5°)	29°00' (29.0°)

\*1: Fuel, radiator coolant and engine oil full. Spare tire, jack, hand tools and mats in designated positions.

\*2: On power steering models, wheel turning force (at circumference of steering wheel) of 98 to 147 N (10 to 15 kg, 22 to 33 lb) with engine idle.

### Lower Ball Joint

EES000JY

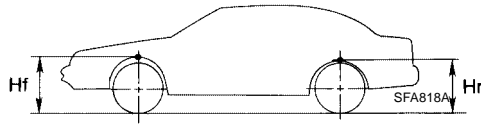
Swinging force "A" (Measuring point: cotter pin hole of ball stud) N (kg-f, lb-f)	7.8 - 54.9 (0.8 - 5.6, 1.8 - 12.3)
Turning torque "B" N-m (kg-cm, in-lb)	0.49 - 3.43 (5.0 - 35.0, 4.3 - 30.4)
Vertical end play "C" mm (in)	0 (0)



# SERVICE DATA AND SPECIFICATIONS (SDS)

## Wheelarch Height (Unladen\*)

EES000JZ



Engine	QR25DE	VQ35DE
Tire	205/65R16	215/55R17
Front (Hf) mm (in)	731 (28.78)	725 (28.54)
Rear (Hr) mm (in)	705 (27.75)	699 (27.52)

\*: Fuel, radiator coolant and engine oil full. Spare tire, jack, hand tools and mats in designated positions.

A  
B  
C  
D  
FSU  
F  
G  
H  
I  
J  
K  
L  
M

## SERVICE DATA AND SPECIFICATIONS (SDS)

---