

SECTION **RAX**
REAR AXLE

A
B
C

RAX

CONTENTS

E

PRECAUTIONS	2	On-vehicle Service	5	F
Precautions	2	REAR WHEEL BEARING	5	
PREPARATION	3	Removal and Installation	6	
Special Service Tools	3	REMOVAL	6	G
Commercial Service Tools	3	INSPECTION AFTER REMOVAL	7	
NOISE, VIBRATION, AND HARSHNESS(NVH)		INSTALLATION	7	H
TROUBLESHOOTING	4	SERVICE DATA AND SPECIFICATIONS (SDS)	8	
NVH Troubleshooting Chart	4	Wheel Bearing (Rear)	8	
WHEEL HUB	5			I

I

J

K

L

M

PRECAUTIONS

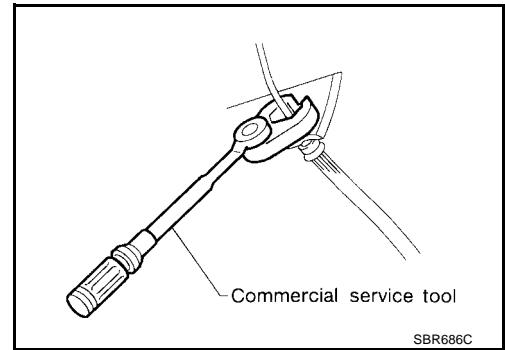
PRECAUTIONS

PFP:00001

Precautions

EDS000RC

- When installing each rubber part, final tightening must be carried out under unladen condition* with tires on ground.
*: Fuel, radiator coolant and engine oil full. Spare tire, jack, hand tools and mats in designated positions.
- Use flare nut wrench when removing or installing brake tubes.
- After installing removed suspension parts, check wheel alignment.
- Do not jack up at the trailing arm and lateral link.
- Always torque brake lines when installing.



PREPARATION

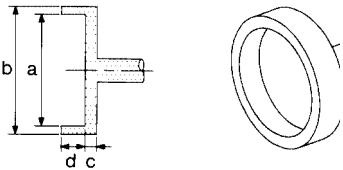
PREPARATION

PFP:00002

Special Service Tools

EDS000RD

The actual shapes of Kent-Moore tools may differ from those of special service tools illustrated here.

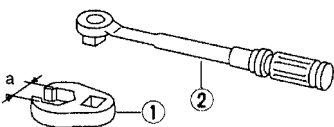
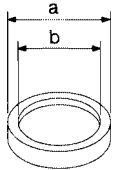
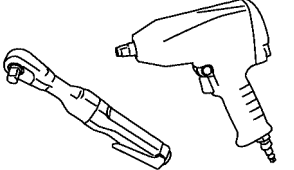
Tool number (Kent-Moore No.) Tool name	Description
ST15310000 (—) Drift	 Install ABS sensor rotor a: 84 mm (3.31 in) dia. b: 96 mm (3.78 in) dia. c: 8 mm (0.31 in) d: 20 mm (0.79 in)

A
B
C

RAX

Commercial Service Tools

EDS000RE

Tool name	Description
GG94310000 1 Flare nut crowfoot 2 Torque wrench	 Removing and installing brake piping a: 10 mm (0.39 in)
Drift	 Install ABS sensor rotor a: 75 mm (2.95 in) dia. b: 62 mm (2.44 in) dia.
Power tool	 Loosening bolts and nuts

E
F
G
H
I
J
K
L
M

NOISE, VIBRATION, AND HARSHNESS(NVH) TROUBLESHOOTING

NOISE, VIBRATION, AND HARSHNESS(NVH) TROUBLESHOOTING

PF0:00003

NVH Troubleshooting Chart

EDS000RF

Use the chart below to help you find the cause of the symptom. If necessary, repair or replace these parts.

Reference page			RSU-8, "Removal and Installation"	RSU-8, "Removal and Installation"	RAX-5	WT-2, "NVH Troubleshooting Chart"	WT-2, "NVH Troubleshooting Chart"
Possible cause and SUSPECTED PARTS			Improper installation, looseness	Parts interference	Wheel bearing damage	TIRES	ROAD WHEEL
Symptom	REAR AXLE	Noise	x	x		x	x
		Shake	x	x		x	x
		Vibration	x	x		x	
		Shimmy	x	x		x	x
		Judder	x			x	x
		Poor quality ride or handling	x	x	x	x	x

x: Applicable

WHEEL HUB

PFP:43202

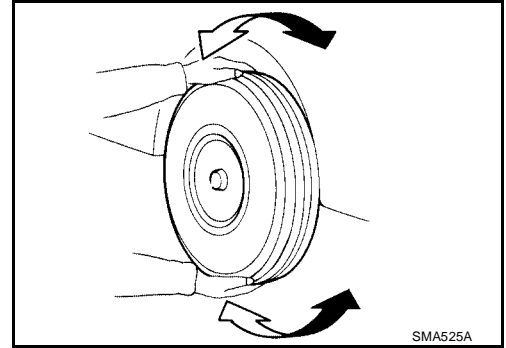
WHEEL HUB

On-vehicle Service

EDS000RG

Check axle and suspension parts for excessive play, wear or damage.

- Shake each rear wheel to check for excessive play.

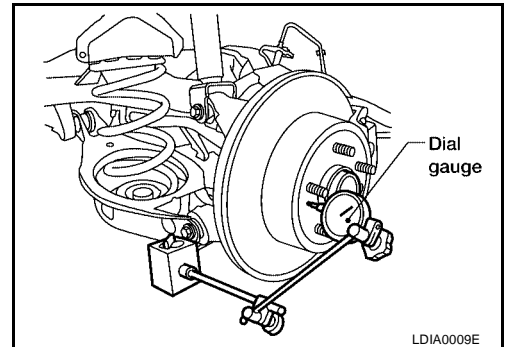


REAR WHEEL BEARING

- Check axial end play.

Axial end play : 0.1 mm (0.0040 in) or less

- Check that wheel hub bearings operate smoothly.
- Replace wheel bearing assembly if there is axial end play or wheel bearing does not turn smoothly. Refer to [RAX-6](#), "[Removal and Installation](#)".

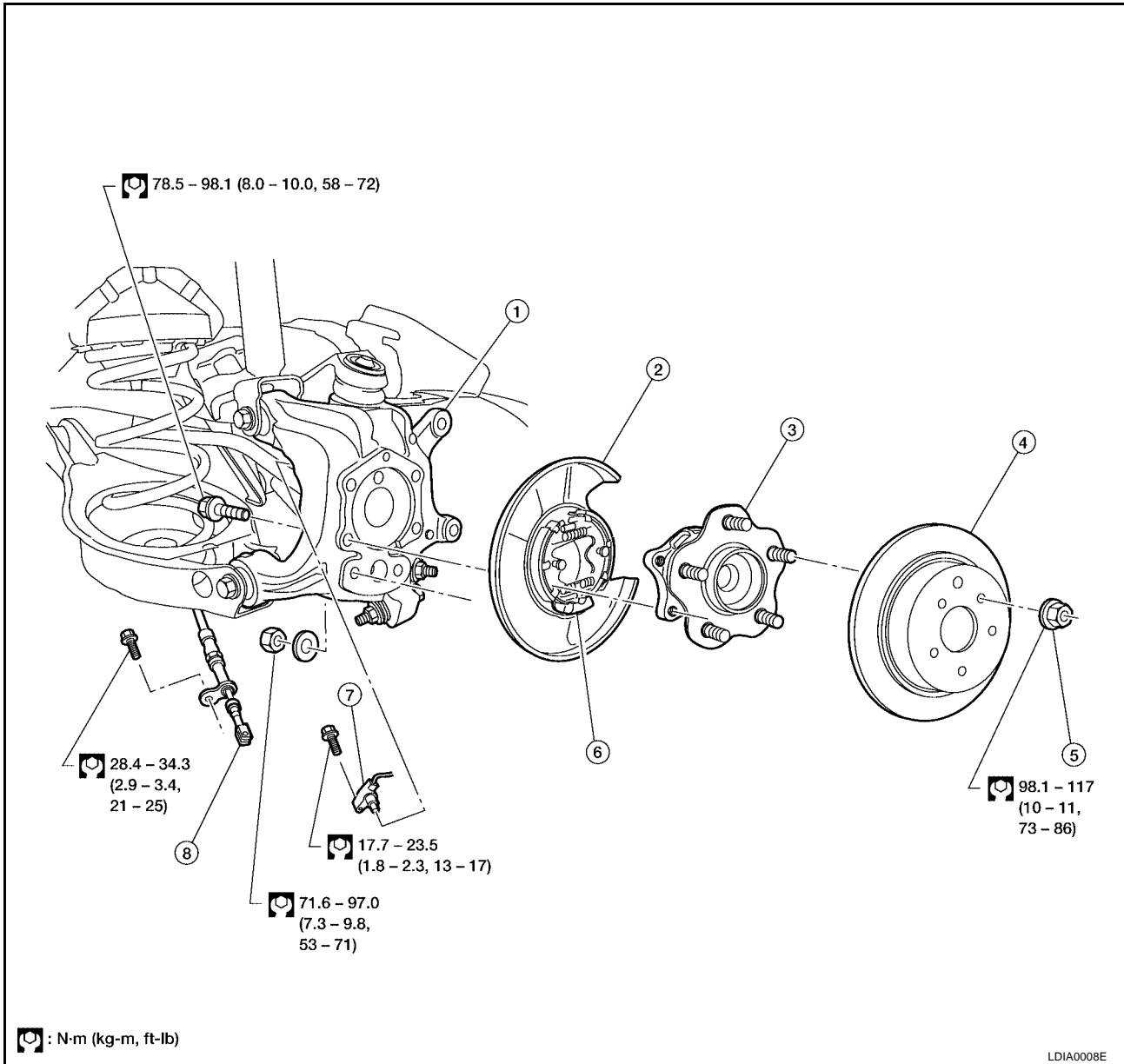


A
B
C
RAX
E
F
G
H
I
J
K
L
M

WHEEL HUB

Removal and Installation

EDS000RH



- | | | |
|----------------------------|------------------------|-----------------|
| 1. Knuckle | 2. Baffle plate | 3. Wheel hub |
| 4. Brake rotor | 5. Wheel nut | 6. Anchor block |
| 7. ABS sensor, if equipped | 8. Parking brake cable | |

REMOVAL

CAUTION:

- Before removing the rear wheel hub assembly, disconnect the ABS sensor and parking brake cable from the assembly. Then move it away from the hub assembly. Failure to do so may result in damage to the sensor wires and the sensor becoming inoperative.
 - Wheel hub bearing does not require maintenance. If any of the following symptoms are noted, replace wheel hub bearing assembly.
 - Growling noise is emitted from wheel hub bearing during operation.
 - Wheel hub bearing drags or turns roughly. This occurs when turning hub by hand after bearing lock nut is tightened to specified torque.
1. Remove brake caliper assembly, using power tool.
 2. Remove brake rotor.
 3. Remove wheel hub from knuckle.
Brake hose does not need to be disconnected from brake caliper.

WHEEL HUB

Suspend caliper assembly with wire so as not to stretch brake hose.
Be careful not to depress brake pedal, or piston will pop out.
Make sure brake hose is not twisted.

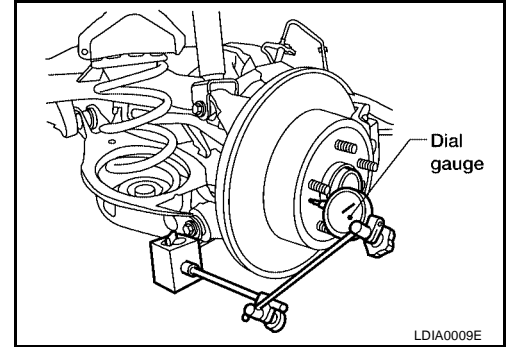
INSPECTION AFTER REMOVAL

- Check for deformity, cracks and damage on wheel hub, replace if necessary.

INSTALLATION

- Install wheel hub.
- Check that wheel bearings operate smoothly.
- Check wheel hub bearing axial end play.

Axial end play : 0.1 mm (0.0040 in) or less



A
B
C
RAX
E
F
G
H
I
J
K
L
M

SERVICE DATA AND SPECIFICATIONS (SDS)

SERVICE DATA AND SPECIFICATIONS (SDS)

PF0:00030

Wheel Bearing (Rear)

EDS000RI

Wheel bearing axial end play	0.1 mm (0.0040 in) or less
------------------------------	----------------------------
