

SECTION **FSU**
FRONT SUSPENSION

A
B
C
D

FSU

CONTENTS

PRECAUTIONS	2	Removal and Installation	9	F
Precautions for Supplemental Restraint System (SRS) "AIR BAG" and "SEAT BELT PRE-TENSIONER"	2	REMOVAL	9	
Precautions	2	INSTALLATION	9	
PREPARATION	3	Disassembly and Assembly	9	G
Special Service Tools	3	DISASSEMBLY	9	
Commercial Service Tools	3	INSPECTION AFTER DISASSEMBLY	10	
NOISE, VIBRATION, AND HARSHNESS (NVH)		10	H
TROUBLESHOOTING	4	STABILIZER BAR	11	
NVH Troubleshooting Chart	4	Removal and Installation	11	
FRONT SUSPENSION ASSEMBLY	5	REMOVAL	11	I
Components	5	INSTALLATION	11	
On-vehicle Service	6	Inspection	12	
FRONT SUSPENSION PARTS	6	TRANSVERSE LINK	13	
Front Wheel Alignment	6	Removal and Installation	13	J
DESCRIPTION	6	REMOVAL	13	
PRELIMINARY INSPECTION	6	INSPECTION AFTER REMOVAL	13	
GENERAL INFORMATION AND RECOMMENDATIONS	7	INSTALLATION	14	K
THE ALIGNMENT PROCESS	7	FRONT SUSPENSION MEMBER	15	
CAMBER, CASTER AND KINGPIN INCLINATION	7	Removal and Installation	15	
TOE-IN	7	REMOVAL	15	L
FRONT WHEEL TURNING ANGLE	8	INSTALLATION	17	
COIL SPRING AND SHOCK ABSORBER	9	SERVICE DATA AND SPECIFICATIONS (SDS)	18	
		General Specifications (Front)	18	M
		Front Wheel Alignment (Unladen*1)	18	
		Ball Joint	19	
		Wheelarch Height (Unladen*)	19	

PRECAUTIONS

PRECAUTIONS

PF0:00001

Precautions for Supplemental Restraint System (SRS) “AIR BAG” and “SEAT BELT PRE-TENSIONER”

EES0024N

The Supplemental Restraint System such as “AIR BAG” and “SEAT BELT PRE-TENSIONER”, used along with a front seat belt, helps to reduce the risk or severity of injury to the driver and front passenger for certain types of collision. This system includes seat belt switch inputs and dual stage front air bag modules. The SRS system uses the seat belt switches to determine the front air bag deployment, and may only deploy one front air bag, depending on the severity of a collision and whether the front occupants are belted or unbelted. Information necessary to service the system safely is included in the SRS and SB section of this Service Manual.

WARNING:

- To avoid rendering the SRS inoperative, which could increase the risk of personal injury or death in the event of a collision which would result in air bag inflation, all maintenance must be performed by an authorized NISSAN/INFINITI dealer.
- Improper maintenance, including incorrect removal and installation of the SRS, can lead to personal injury caused by unintentional activation of the system. For removal of Spiral Cable and Air Bag Module, see the SRS section.
- Do not use electrical test equipment on any circuit related to the SRS unless instructed to in this Service Manual. SRS wiring harnesses can be identified by yellow and/or orange harnesses or harness connectors.

Precautions

EES0016W

- When installing rubber parts, final tightening must be carried out under unladen condition* with tires on ground.
Oil will shorten the life of rubber bushings. Be sure to wipe off any spilled oil.
*: Fuel, engine coolant and engine oil full. Spare tire, jack, hand tools and mats in designated positions.
- After installing removed suspension parts, check wheel alignment and adjust if necessary.
- Lock nuts are un reusable parts; always use new ones.
When replacing, do not wipe the oil off the new lock nut before tightening.

PREPARATION

PREPARATION

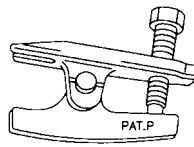
PF0:00002

Special Service Tools

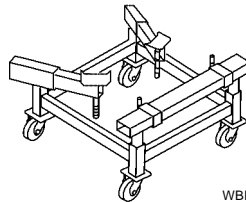
EES0016X

The actual shapes of Kent-Moore tools may differ from those of special service tools illustrated here.

Tool number (Kent-Moore No.) Tool name	Description
HT72520000 (J-25730-A) Ball joint remover	Removing outer tie-rod end and lower ball joint
KV101J0010 (J-47242) Engine support table	Front suspension member removal



NT146

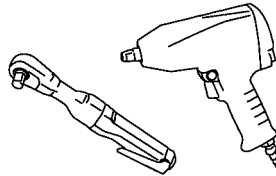


WBIA0658E

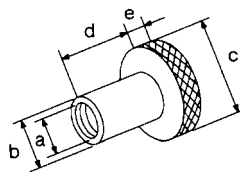
Commercial Service Tools

EES0016Y

Tool name	Description
Power tool	Loosening bolts and nuts
Attachment wheel alignment	Measuring wheel alignment a: Screw M24 x 1.5 pitch b: 35 mm (1.38 in) dia. c: 65 mm (2.56 in) dia. d: 56 mm (2.20 in) e: 12 mm (0.47 in)
Engine lifting bracket	Removing and installing suspension member with 5A/T
Spring compressor	Removing and installing coil spring



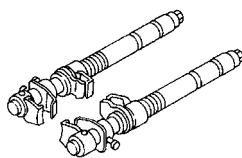
PBIC0190E



NT148



LEIA0062E



NT717

NOISE, VIBRATION, AND HARSHNESS (NVH) TROUBLESHOOTING

NOISE, VIBRATION, AND HARSHNESS (NVH) TROUBLESHOOTING

PFP:00003

NVH Troubleshooting Chart

EES0016Z

Use the following chart to help you find the cause of the symptom. If necessary, repair or replace these parts.

Reference page		FSU-5	FSU-10	FSU-6	FSU-5	FSU-10	FSU-5	FSU-6	FSU-12	FAX-4, "NVH Troubleshooting Chart"	FAX-4, "NVH Troubleshooting Chart"	WT-3, "NVH Troubleshooting Chart"	WT-3, "NVH Troubleshooting Chart"	BR-5, "NVH Troubleshooting Chart"	PS-5, "NVH Troubleshooting Chart"
Possible Cause and SUSPECTED PARTS		Improper installation, looseness	Shock absorber deformation, damage or deflection	Bushing or mounting deterioration	Parts interference	Spring fatigue	Suspension looseness	Incorrect wheel alignment	Stabilizer bar fatigue	DRIVE SHAFT	AXLE	TIRES	ROAD WHEEL	BRAKES	STEERING
Symptom	Noise	x	x	x	x	x	x			x	x	x	x	x	x
	Shake	x	x	x	x		x			x	x	x	x	x	x
	Vibration	x	x	x	x	x				x	x	x			x
	Shimmy	x	x	x	x			x			x	x	x	x	x
	Shudder	x	x	x							x	x	x	x	x
	Poor quality ride or handling	x	x	x	x	x		x	x		x	x	x		

x: Applicable

FRONT SUSPENSION ASSEMBLY

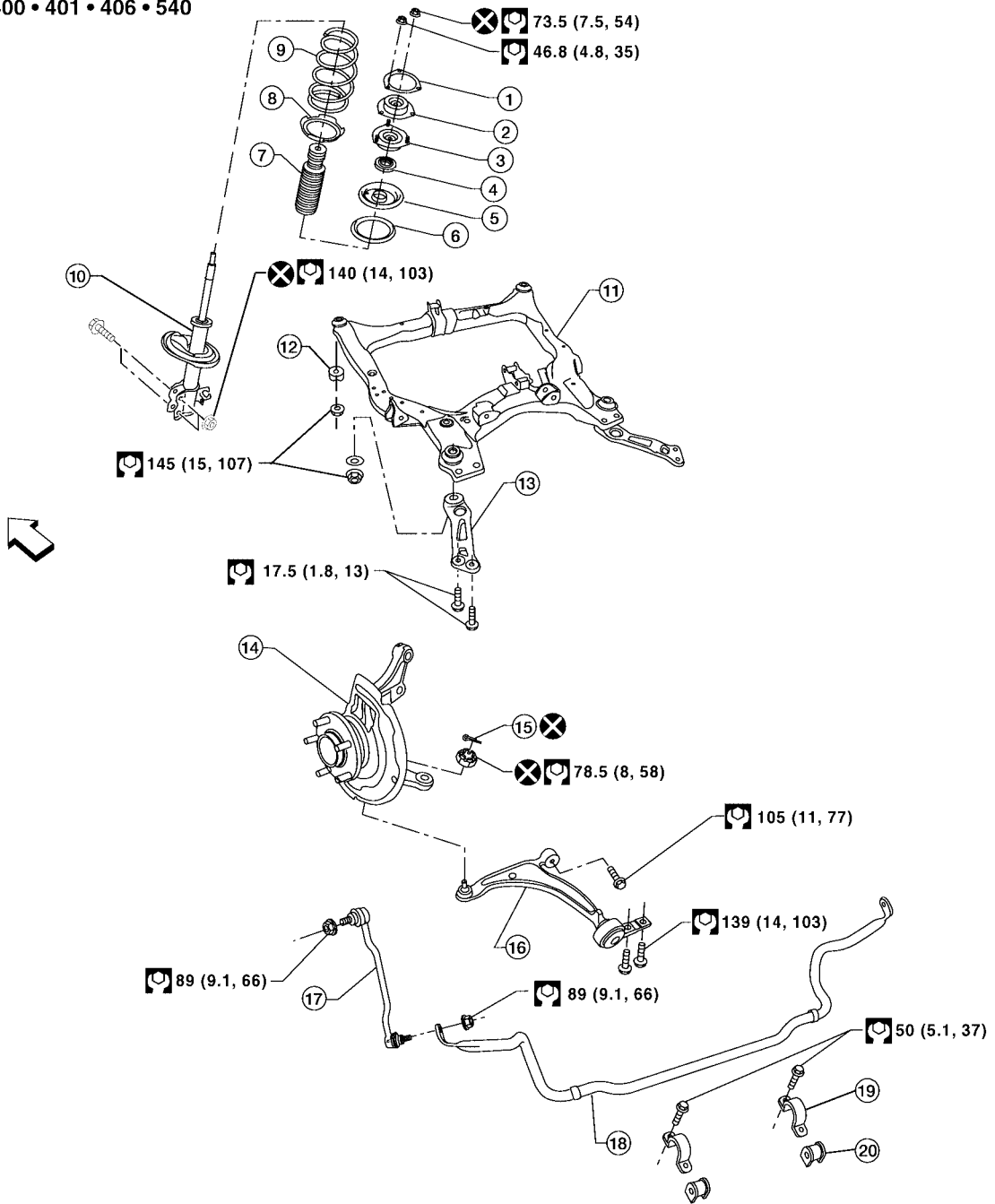
FRONT SUSPENSION ASSEMBLY

PFP:54010

Components

EES00170

SEC. 391 • 400 • 401 • 406 • 540



- | | | |
|----------------------------|---|-------------------------------|
| 1. Strut spacer | 2. Strut mount insulator | 3. Mounting insulator bracket |
| 4. Thrust bearing | 5. Upper spring seat | 6. Upper rubber seat |
| 7. Dust cover | 8. Lower rubber seat | 9. Coil spring |
| 10. Shock absorber (strut) | 11. Front suspension member | 12. Cup |
| 13. Member pin stay | 14. Wheel hub and steering knuckle assembly | 15. Cotter pin |
| 16. Transverse link | 17. Connecting rod | 18. Stabilizer bar |
| 19. Stabilizer clamp | 20. Stabilizer bushing | ⇐ Front |

WEIA0157E

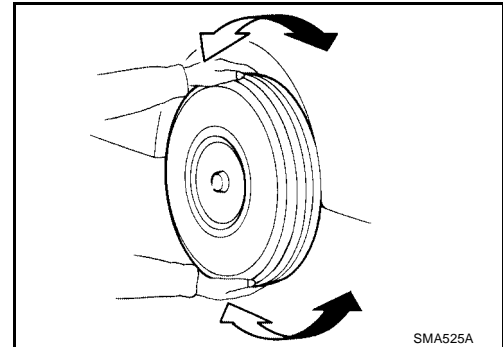
FRONT SUSPENSION ASSEMBLY

EES00171

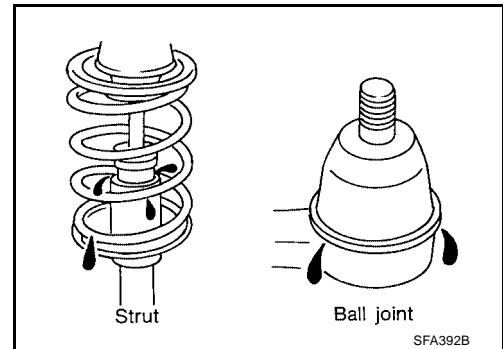
On-vehicle Service FRONT SUSPENSION PARTS

Check the front axle and front suspension parts for any excessive play, cracks, wear, or other damage.

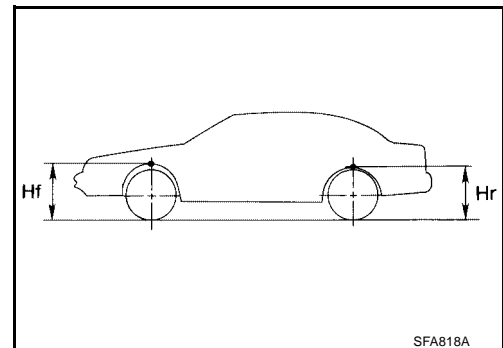
- Raise the vehicle on a hoist and shake each front wheel to check for excessive play.
- Make sure that the cotter pin is inserted in the lower ball joint.
- Retighten all of the drive shaft and suspension nuts and bolts to specification. Refer to [FAX-11, "Removal and Installation"](#) for front drive shaft and to [FSU-5, "Components"](#) for front suspension.



- Check the shock absorber (strut) for any oil leakage or other damage.
- Check the suspension ball joint for grease leakage and the ball joint dust cover for any cracks or other damage. If the ball joint dust cover is cracked or damaged, replace the transverse link.



- Measure the wheelarch height "Hf" and "Hr" from the top of the wheelarch to the ground.
 - For proper measurement of the vehicle height, the vehicle must be unladen*, parked on a level surface, and tires checked for proper inflation and wear (the tread wear indicators must not be showing).
- *: Fuel, engine coolant and engine oil full. Spare tire, jack, hand tools and mats in designated positions.



- Bounce the vehicle up and down several times before measuring the height.

Standard height : Refer to [FSU-19, "Wheelarch Height \(Unladen*\)"](#) .

- The wheelarch height is not adjustable. If the height is out of specification, check for worn springs or suspension parts.

Front Wheel Alignment DESCRIPTION

EES00240

NOTE:

Before checking the front wheel alignment, be sure to make a preliminary inspection (Unladen*).

*: Fuel, engine coolant and engine oil full. Spare tire, jack, hand tools and mats in designated positions.

PRELIMINARY INSPECTION

- Check the tires for wear and improper inflation. Refer to [WT-8, "Tire"](#) .
- Check the wheel runout. Refer to [WT-4, "Inspection"](#) .
- Check the front wheel bearings for looseness. Refer to [FAX-5, "FRONT WHEEL BEARING"](#) .
- Check the front suspension for looseness. Refer to [FSU-6, "FRONT SUSPENSION PARTS"](#) .
- Check the steering linkage for looseness. Refer to [PS-13, "CHECKING STEERING LINKAGE"](#) .

FRONT SUSPENSION ASSEMBLY

- Check that the front shock absorbers work properly.
- Check the vehicle height (posture) in the unladen condition. Refer to [FSU-6, "FRONT SUSPENSION PARTS"](#).

GENERAL INFORMATION AND RECOMMENDATIONS

1. A Four-Wheel Thrust Alignment should be performed.
 - This type of alignment is recommended for any NISSAN vehicle.
 - The four-wheel "thrust" process helps ensure that the vehicle is properly aligned and the steering wheel is centered.
 - The alignment machine itself should be capable of accepting any NISSAN vehicle.
 - The alignment machine should be checked to ensure that it is level.
2. Make sure the alignment machine is properly calibrated.
 - Your alignment machine should be regularly calibrated in order to give correct information.
 - Check with the manufacturer of your specific alignment machine for their recommended Service/Calibration Schedule.

THE ALIGNMENT PROCESS

IMPORTANT: Use only the alignment specifications listed in this Service Manual. Refer to [FSU-18, "Front Wheel Alignment \(Unladen*1\)"](#).

1. When displaying the alignment settings, many alignment machines use "indicators": (Green/red, plus or minus, Go/No Go). **Do NOT use these indicators.**
 - The alignment specifications programmed into your alignment machine that operate these indicators may not be correct.
 - This may result in an ERROR.
2. Some newer alignment machines are equipped with an optional "Rolling Compensation" method to "compensate" the sensors (alignment targets or head units). **Do NOT use this "Rolling Compensation" method.**
 - Use the "Jacking Compensation" method. After installing the alignment targets or head units, raise the vehicle and rotate the wheels 1/2 turn both ways.
 - See Instructions in the alignment machine you are using for more information.

CAMBER, CASTER AND KINGPIN INCLINATION

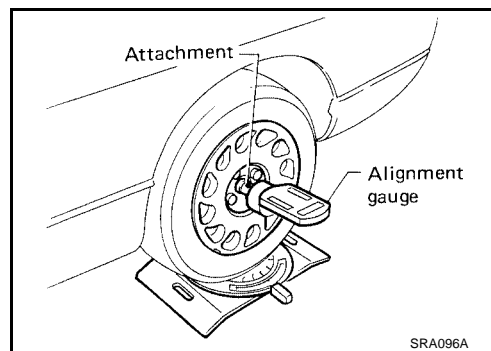
NOTE:

Camber, caster and kingpin inclination are preset at factory and cannot be adjusted.

1. Measure the camber, caster and kingpin inclination of both the right and left wheels using attachment Tool and a suitable alignment gauge.

Camber, caster and kingpin inclination : Refer to [FSU-18, "Front Wheel Alignment \(Unladen*1\)"](#).

2. If the camber, caster or kingpin inclination is not within specification, inspect the front suspension parts. Replace any damaged or worn out parts.



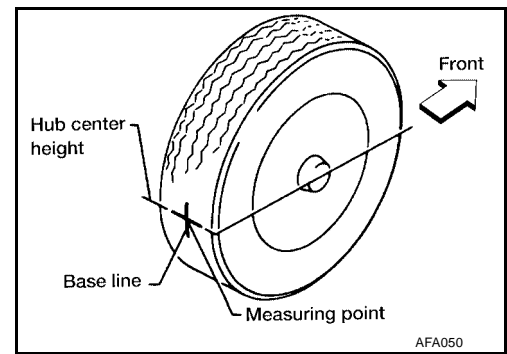
TOE-IN

WARNING:

- Always perform the following procedure on a flat surface.
 - Make sure that no person is in front of the vehicle before pushing it.
1. Bounce the front of vehicle up and down to stabilize the vehicle height (posture).
 2. Push the vehicle straight ahead about 5 m (16 ft).

FRONT SUSPENSION ASSEMBLY

3. Put a mark on base line of the tread (rear side) of both front tires at the same height as hub center as shown. These marks are measuring points.



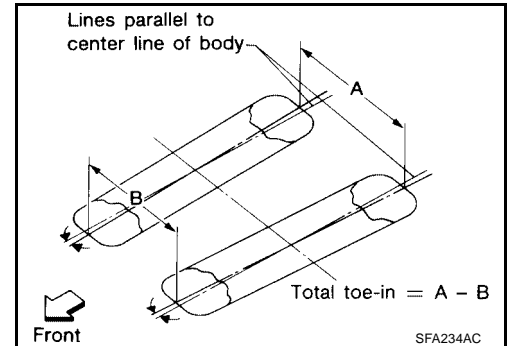
4. Measure the distance "A" on the rear side of the front tires as shown.
5. Push the vehicle slowly ahead to rotate the wheels 180° degrees (1/2 a turn).

CAUTION:

If the wheels have rotated more than 180° degrees (1/2 turn), start this procedure again from the beginning. Never push the vehicle backward.

6. Measure the distance "B" on the front side of the front tires at the same marks as shown.

Total toe-in : Refer to [FSU-18, "Front Wheel Alignment \(Unladen*1\)"](#) .

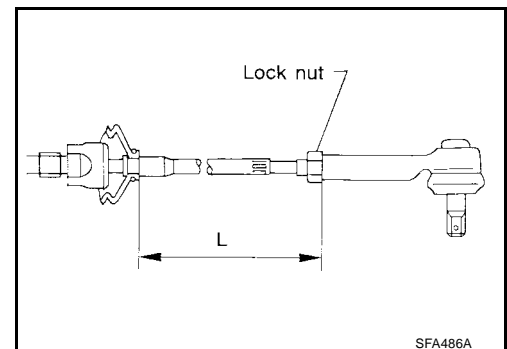


7. Adjust the toe-in by varying the length of the steering outer tie-rods.
 - a. Loosen the outer tie-rod lock nuts.
 - b. Adjust the toe-in by screwing the outer tie-rods in or out.

Standard length "L" : Refer to [PS-29, "Steering Gear and Linkage"](#) .

- c. Tighten the outer tie-rod lock nuts to specified torque.

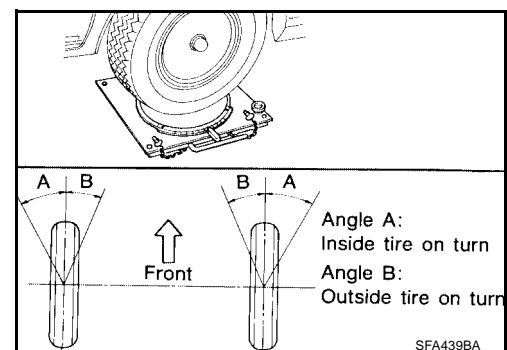
Lock nut : Refer to [PS-17, "Disassembly and Assembly"](#) .



FRONT WHEEL TURNING ANGLE

1. Set the front wheels in a straight-ahead position. Then move the vehicle forward until the front wheels rest on the turning radius gauge as shown.
2. Rotate steering wheel all the way right and left; measure the turning angles "A" and "B" as shown.

Wheel turning angle (full turn) : Refer to [FSU-18, "Front Wheel Alignment \(Unladen*1\)"](#) .



COIL SPRING AND SHOCK ABSORBER

PF5:56210

EES00173

COIL SPRING AND SHOCK ABSORBER

Removal and Installation

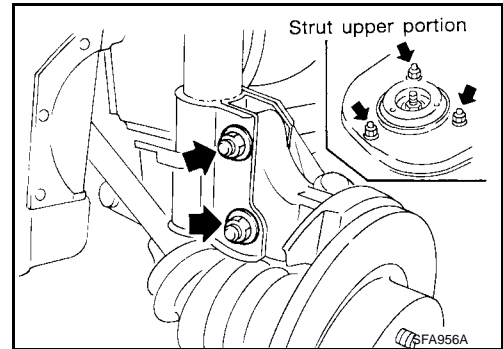
REMOVAL

1. Remove wheel and tire using power tool.
2. Disconnect the wheel sensor wire and front brake hose from the brackets on the shock absorber (strut).
3. Disconnect the connecting rod upper link using power tool.
4. Support the wheel hub and steering knuckle assembly with a suitable wire.
5. Remove the shock absorber (strut) lower bolts and nuts using power tool.
6. Remove the three upper shock absorber (strut) mounting nuts using power tool.

CAUTION:

Do not remove piston rod lock nut on vehicle.

7. Remove the shock absorber (strut) assembly.



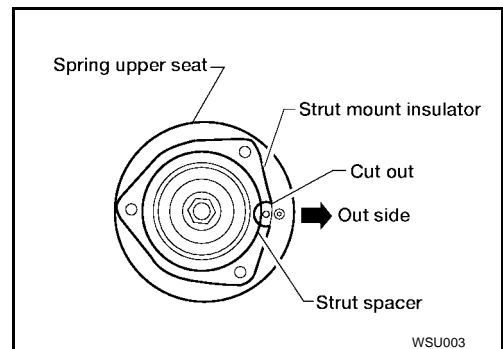
INSTALLATION

Installation is in the reverse order of removal.

- After installation, check that the front wheel alignment is within specification. Refer to [FSU-6, "Front Wheel Alignment"](#).
- When installing the strut spacer, it must be positioned as shown.
- Tighten all nuts and bolts to specification. Refer to [FSU-5, "Components"](#).

WARNING:

- **Always replace the shock absorber (strut) lower mounting nuts.**
 - **When installing shock absorber (strut) to steering knuckle, be sure to hold bolts when tightening nuts.**
- Install wheel and tire. Refer to [WT-7, "Rotation"](#).



Disassembly and Assembly

DISASSEMBLY

1. Set the shock absorber (strut) in a vise, then loosen (without removing) the piston rod lock nut as shown.

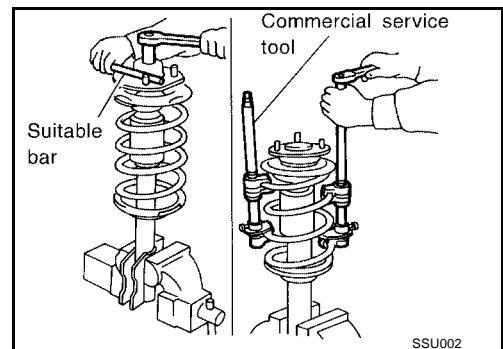
CAUTION:

Do not remove piston rod lock nut at this time.

2. Compress the spring using commercial service tool so that the shock absorber mounting insulator can be turned by hand.

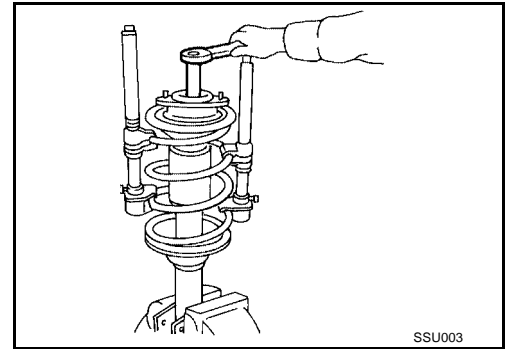
WARNING:

Make sure that the pawls of the two spring compressors are firmly hooked on the spring. The spring compressors must be tightened alternately and evenly so as not to tilt the spring.



COIL SPRING AND SHOCK ABSORBER

3. Remove the shock absorber (strut) rod lock nut.



INSPECTION AFTER DISASSEMBLY SHOCK ABSORBER (STRUT) ASSEMBLY

- Check for smooth operation through a full stroke, both compression and extension.
- Check for oil leakage on welded or gland packing portions.
- Check shock absorber (strut) rod for cracks, deformation or other damage and replace if necessary.

MOUNTING INSULATOR AND RUBBER PARTS

Check cemented rubber-to-metal portion for separation or cracks. Check rubber parts for deterioration and replace if necessary.

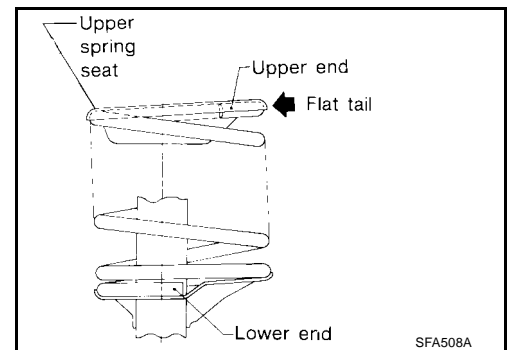
THRUST BEARING

Check the thrust bearing for abnormal noise or excessive rattle in axial direction and replace if necessary.

COIL SPRING

Check for cracks, deformation or other damage and replace if necessary.

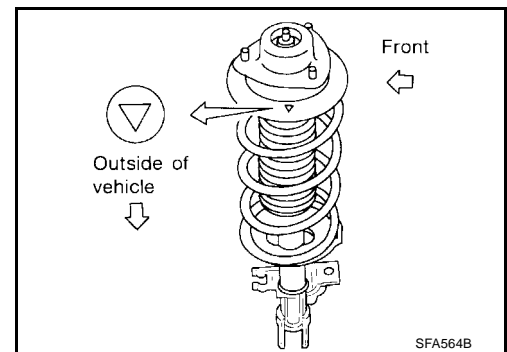
1. When installing coil spring on shock absorber (strut), it must be positioned as shown.



2. Install upper spring seat with alignment mark facing the outer side of vehicle, in line with strut-to-knuckle attachment points.

NOTE:

LH side shown, RH side similar.



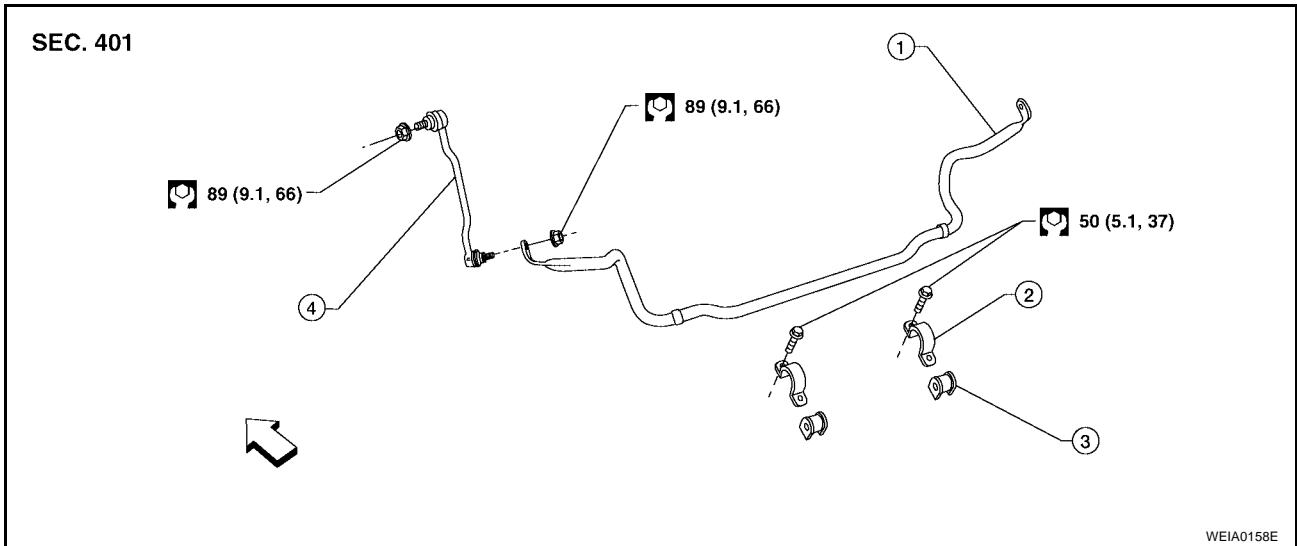
STABILIZER BAR

PF5:54611

STABILIZER BAR

Removal and Installation

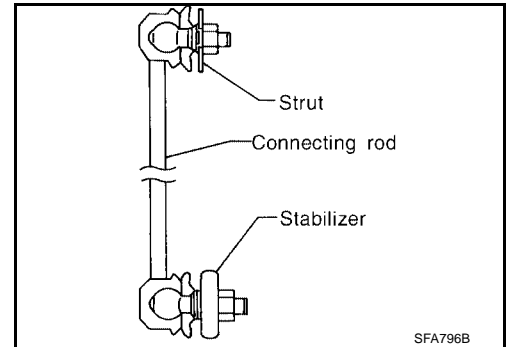
EES00177



1. Stabilizer bar
2. Stabilizer clamp
3. Stabilizer bushing
4. Connecting rod
← Front

REMOVAL

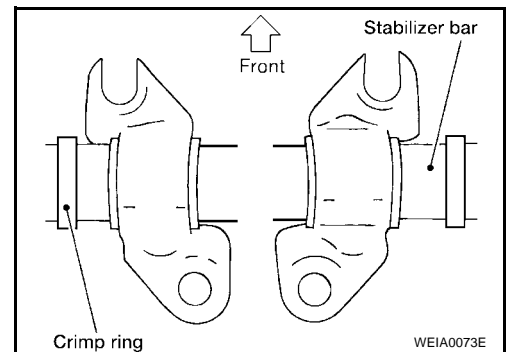
1. Remove the front suspension member. Refer to [FSU-15, "FRONT SUSPENSION MEMBER"](#).
2. Support suspension member using suitable jack support.
3. Disconnect the connecting rod end at the stabilizer bar using power tool.
 - Prevent the stabilizer connecting rod from turning by inserting a hex wrench into the end of the ball stud, then remove nut.
4. Remove the two stabilizer bar clamps from the front suspension member using power tool.
5. Remove the front stabilizer bar.
 - Remove the two stabilizer bushings as necessary.



INSTALLATION

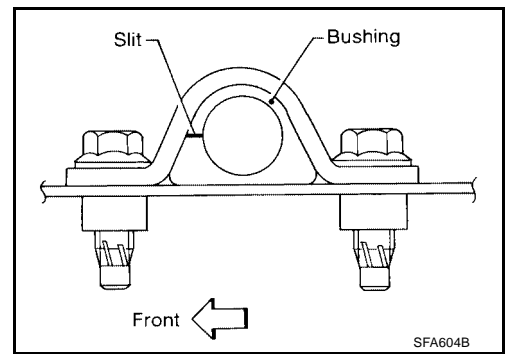
Installation is in the reverse order of removal.

- When installing stabilizer, make sure that the clamps are facing in the correct direction as shown.



STABILIZER BAR

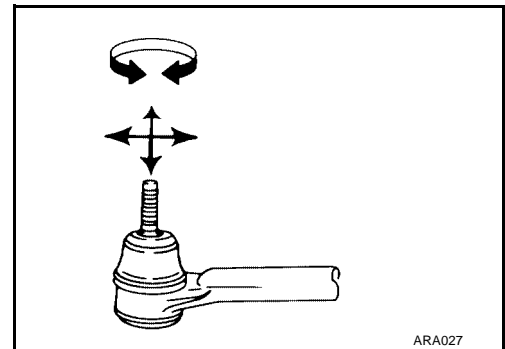
- Make sure that slit in stabilizer bushing is in the position as shown.
- Lubricate the inner and outer surfaces of the stabilizer bushing using a silicone lubricant. Refer to [MA-12, "RECOMMENDED FLUIDS AND LUBRICANTS"](#).



Inspection

- Check the stabilizer bar for deformation or cracks and replace if necessary.
- Check the stabilizer bushings for deterioration or cracks. Replace if necessary.
- Check that the ball joint can rotate in all directions. If movement is not smooth and free, replace stabilizer bar connecting rod.

EES00178



TRANSVERSE LINK

PFP:54500

TRANSVERSE LINK

Removal and Installation

EES00179

REMOVAL

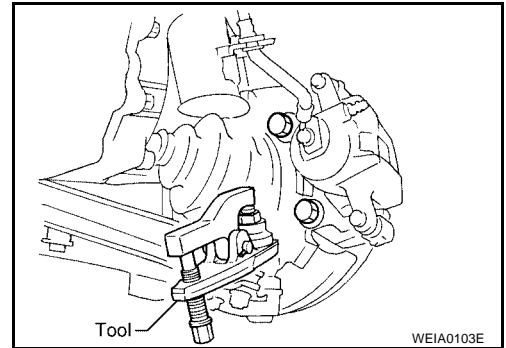
1. Remove the wheel and tire using power tool.
2. Remove the lower ball joint cotter pin and remove the lower ball joint nut using power tool.

CAUTION:

Discard the cotter pin and use a new cotter pin for installation.

3. Disconnect the lower ball joint from the steering knuckle using Tool as shown.

Tool number : HT72520000 (J-25730-A)



4. Remove the member stay pin nut and two bolts using power tool, and remove the member stay pin.
5. Remove the two transverse link pivot bolts using power tool.
6. Remove the transverse link bolt and remove the transverse link from the front suspension member.

INSPECTION AFTER REMOVAL

Visual Check

- Check the transverse link for damage, cracks or deformation. Replace it if necessary.
- Check the bushing for damage, cracks and deformation. Replace the transverse link if necessary.

Lower Ball Joint

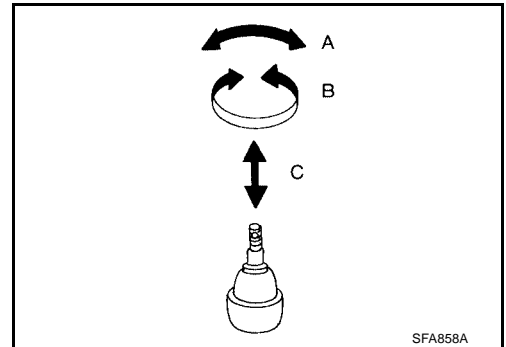
- Check the ball joint for excessive play. Replace the transverse link assembly if any of the following exists:
 - Lower ball joint stud is worn.
 - Lower ball joint is hard to swing.
 - Lower ball joint play in axial directions or end play is excessive.

Swinging Force

NOTE:

Before checking the axial forces and end play, turn the lower ball joint at least 10 revolutions so that the ball joint is properly broken in.

Swinging force "A" (measuring from cotter pin hole of ball stud) : 7.8 - 54.9 N (0.8 - 5.6 kg-f, 1.8 - 12.3 lb-f)



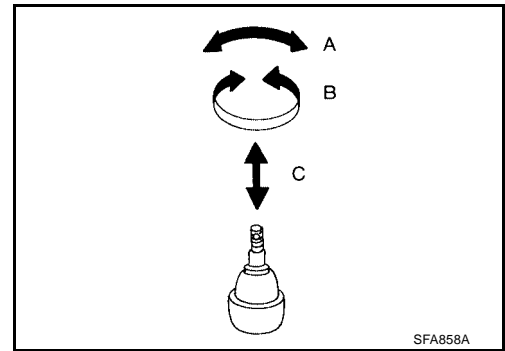
Turning Force

NOTE:

Before checking the axial forces and end play, turn the lower ball joint at least 10 revolutions so that the ball joint is properly broken in.

TRANSVERSE LINK

Turning torque "B" : 0.49 - 3.43 N·m (5.0 - 35.0 kg-cm,
4.3 - 30.4 in-lb)



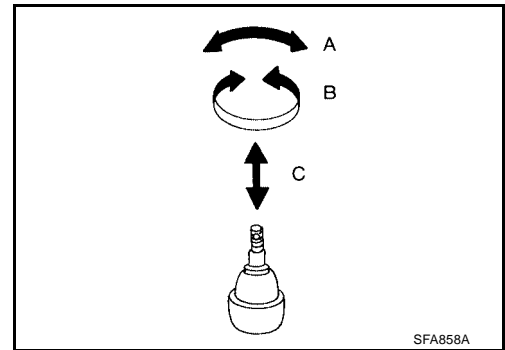
Vertical End Play

Check dust cover for damage. Replace it and the cover clamp if necessary.

NOTE:

Before checking the axial forces and end play, turn the lower ball joint at least 10 revolutions so that the ball joint is properly broken in.

Vertical end play "C" : 0 mm (0 in)



INSTALLATION

Installation is in the reverse order of removal.

- Tighten the transverse link mounting bolts to specified torque. Refer to [FSU-5, "Components"](#) . During installation, the final tightening must be done with the vehicle in unladen* condition and the tires on the ground.

*: Fuel, engine coolant and engine oil full. Spare tire, jack, hand tools and mats in designated positions.

CAUTION:

Discard the old cotter pin and use a new cotter pin for installation of the lower ball joint nut.

- Install wheel and tire. Refer to [WT-7, "Rotation"](#) .
- After installation, check the wheel alignment. Refer to [FSU-6, "Front Wheel Alignment"](#) .

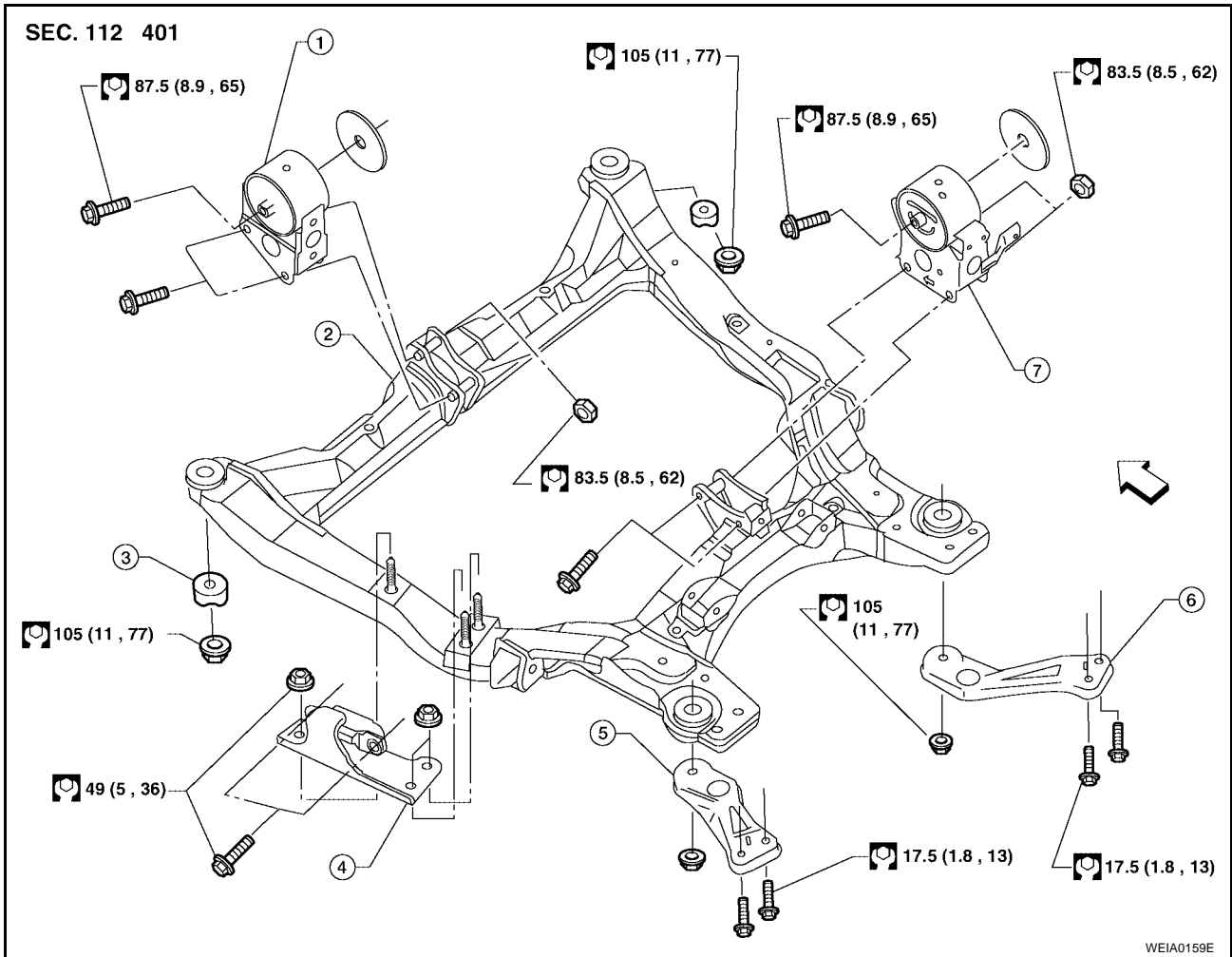
FRONT SUSPENSION MEMBER

PF5:54401

EES0017A

FRONT SUSPENSION MEMBER

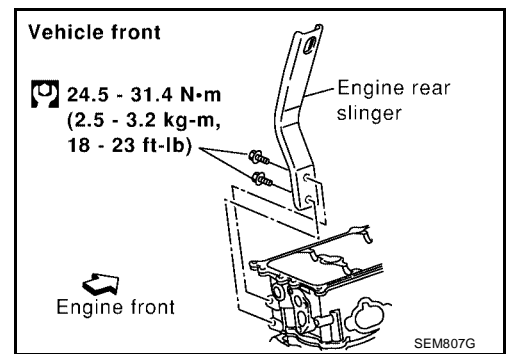
Removal and Installation



- | | | |
|---|----------------------------|------------------------|
| 1. Front engine mount | 2. Front suspension member | 3. Cup |
| 4. LH transaxle mounting insulator (VQ35DE) | 5. Member pin stay, LH | 6. Member pin stay, RH |
| 7. Rear engine mount | | |

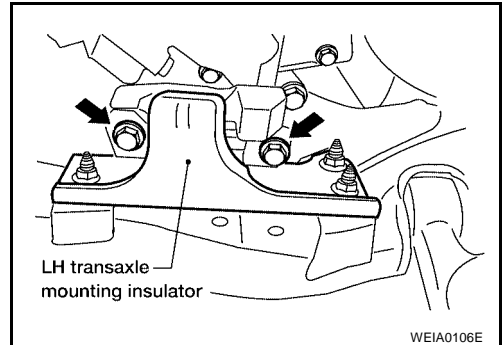
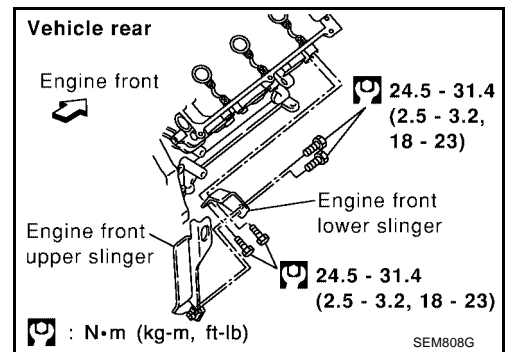
REMOVAL

1. Remove wheels and tires using power tool.
2. Remove engine cover and undercover.
3. For vehicles equipped with the VQ35DE engine, install the engine slingers into the front of the left cylinder head, and the right rear cylinder head as shown. Then support the engine from the engine slingers using suitable tool.



FRONT SUSPENSION MEMBER

4. Remove the splash shields.
5. For vehicles equipped with the VQ35DE engine, remove the two LH transaxle mounting insulator bolts.



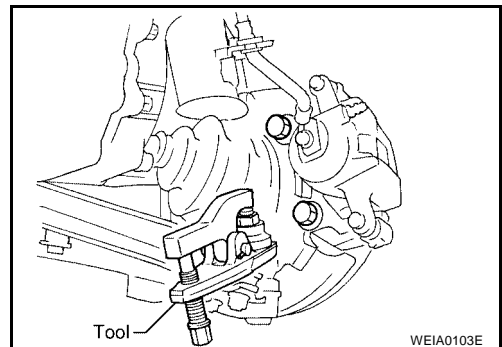
6. Remove the lower ball joint cotter pin and remove the lower ball joint nut using power tool.

CAUTION:

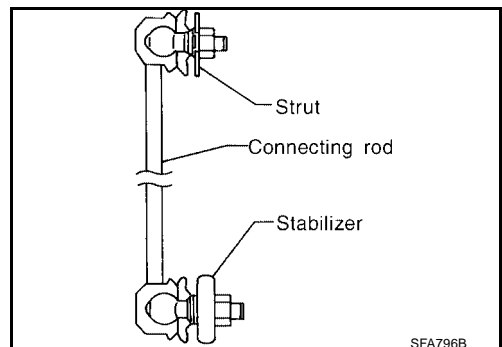
Discard the cotter pin and use a new cotter pin for installation.

7. Disconnect the lower ball joint from the steering knuckle using Tool as shown.

Tool number : HT2520000 (J-25730-A)



8. Remove the front exhaust tube using power tool. Refer to [EX-7, "Removal and Installation"](#).
9. Remove the power steering line bracket from the front suspension member.
10. Remove the mounting bolts on the lower side of the steering gear.
11. Disconnect the front and rear engine mount electrical connectors, if equipped.
12. Disconnect the connecting rod from the front strut using power tool.



FRONT SUSPENSION MEMBER

13. Set Tool under the front suspension member, then remove the mounting nuts from the front suspension member using power tool.

Tool number : KV101J0010 (J-47242)

14. Remove the mounting bolts from the front suspension member pin stay on the vehicle body side using power tool.
15. Remove the through bolts from the front and rear engine mounts.
16. Lower the suspension member slowly.
- If necessary, remove the exhaust hanger bracket from the front suspension member.
 - If necessary, remove the front and rear engine mounts.
 - If necessary, remove the transverse link.

INSTALLATION

Installation is in the reverse order of removal.

- For vehicles equipped with the VQ35DE engine, tighten the two LH transaxle mounting insulator bolts to specification.
- Install the stabilizer bar bushings and clamps in the specified orientation. Refer to [FSU-11, "INSTALLATION"](#).
- Tighten the stabilizer bar and connecting rod nuts and bolts to specification. Refer to [FSU-11, "Removal and Installation"](#).
- Tighten the steering gear mounting bolts to specification. Refer to [PS-14, "Removal and Installation"](#).
- Install wheel and tire. Refer to [WT-7, "Rotation"](#).
- Check the wheel alignment. Refer to [FSU-6, "Front Wheel Alignment"](#).

A

B

C

D

FSU

F

G

H

I

J

K

L

M

SERVICE DATA AND SPECIFICATIONS (SDS)

SERVICE DATA AND SPECIFICATIONS (SDS)

PF0:00030

General Specifications (Front)

EES0017B

Suspension type	Independent MacPherson strut
Shock absorber type	Double-acting hydraulic
Stabilizer bar	Standard equipment

Front Wheel Alignment (Unladen*1)

EES0017C

Market		United States and Canada				Mexico		
		QR25DE	VQ35DE			QR25DE	VQ35DE	
Engine		Base/S	SL	SE	SE-R	Base/S	SE	
Model		Base/S	SL	SE	SE-R	Base/S	SE	
Tire size		215/ 60R16	215/ 60R16	215/ 55R17	225/ 45R18	215/ 60R16	215/ 55R17	
Camber Degree minute (Decimal degree)	Minimum	-1°00' (-1.00°)				-0°40' (-0.67°)		
	Nominal	-0°15' (-0.25°)				0°05' (0.08°)		
	Maximum	0°30' (0.50°)				0°50' (0.83°)		
	Left and right difference	45' (0.75°) or less				45' (0.75°) or less		
Caster Degree minute (Decimal degree)	Minimum	2°05' (2.08°)				1°55' (1.92°)		
	Nominal	2°50' (2.83°)				2°40' (2.67°)		
	Maximum	3°35' (3.58°)				3°25' (3.42°)		
	Left and right difference	45' (0.75°) or less				45' (0.75°) or less		
Kingpin inclination Degree minute (Decimal degree)	Minimum	13°50' (13.83°)				13°10' (13.17°)		
	Nominal	14°35' (14.58°)				13°55' (13.93°)		
	Maximum	15°20' (15.33°)				14°40' (14.67°)		
Total toe-in	Distance (A – B) mm (in)	Minimum	-0.5 (-0.02)				0.0 (0.00)	
		Nominal	0.5 (0.02)				1.0 (0.04)	
		Maximum	1.5 (0.06)				2.0 (0.08)	
	Angle (left, right) Degree minute (Decimal degree)	Minimum	-0°04' (-0.07°)				-0°03' (-0.05°)	
		Nominal	0°02' (0.03°)				0°03' (0.03°)	
		Maximum	0°08' (0.13°)				0°09' (0.15°)	
Wheel turning angle Full turn*2	Inside Degree minute (Decimal degree)	Minimum	34°30' (34.5°)	32°00' (32.0°)		31°00' (31.0°)	34°30' (34.5°)	32°00' (32.0°)
		Nominal	38°00' (38.0°)	35°30' (35.5°)		34°30' (34.5°)	38°00' (38.0°)	35°30' (35.5°)
		Maximum	39°00' (39.0°)	36°30' (36.5°)		35°30' (35.5°)	39°00' (39.0°)	36°30' (36.5°)
	Outside Degree minute (Decimal degree)	Nominal	30°30' (30.5°)	29°00' (29.0°)		29°00' (29.0°)	30°30' (30.5°)	29°00' (29.0°)

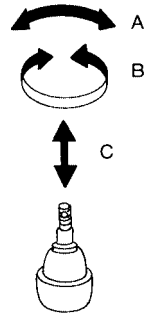
*1: Fuel, engine coolant and engine oil full. Spare tire, jack, hand tools and mats in designated positions.

*2: On power steering models, wheel turning force (at circumference of steering wheel) of 98 to 147 N (10 to 15 kg, 22 to 33 lb) with engine idle.

SERVICE DATA AND SPECIFICATIONS (SDS)

Ball Joint

EES0024T



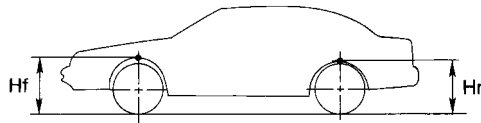
SFA858A

Swinging force "A" (Measuring point: cotter pin hole of ball stud) N (kg-f, lb-f)	7.8 - 54.9 (0.8 - 5.6, 1.8 - 12.3)
Turning torque "B" N·m (kg-cm, in-lb)	0.49 - 3.43 (5.0 - 35.0, 4.3 - 30.4)
Vertical end play "C" mm (in)	0 (0)

Wheelarch Height (Unladen*)

EES0024U

Unit: mm (in)



SFA818A

Market	United States and Canada				Mexico	
	QR25DE	VQ35DE			QR25DE	VQ35DE
Model	Base/S	SL	SE	SE-R	Base/S	SE
Tire size	215/60R16	215/60R16	215/55R17	225/45R18	215/60R16	215/55R17
Front (Hf)	722 (28.43)	717 (28.23)	722 (28.43)	721 (28.39)	742 (29.21)	741 (29.17)
Rear (Hr)	695 (27.36)	696 (27.40)	701 (27.60)	695 (27.36)	715 (28.15)	718 (28.27)

*: Fuel, engine coolant and engine oil full. Spare tire, jack, hand tools and mats in designated positions.

SERVICE DATA AND SPECIFICATIONS (SDS)
