

A
B
C
D

WT

SECTION

ROAD WHEELS & TIRES

CONTENTS

WT

PREPARATION	2	Balancing Wheels	5	F
Commercial Service Tools	2	REMOVAL	5	
NOISE, VIBRATION, AND HARSHNESS (NVH)		WHEEL BALANCE ADJUSTMENT	5	
TROUBLESHOOTING	3	Rotation	7	G
NVH Troubleshooting Chart	3	SERVICE DATA AND SPECIFICATIONS (SDS)	8	
WHEEL	4	Road Wheel	8	
Inspection	4	Tire	8	H
WHEEL AND TIRE ASSEMBLY	5			

I

J

K

L

M

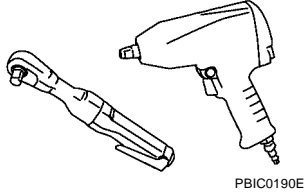
PREPARATION

PREPARATION

PF0:00002

Commercial Service Tools

EES0024R

Tool name	Description
Power tool  PBIC0190E	Removing wheel nuts

NOISE, VIBRATION, AND HARSHNESS (NVH) TROUBLESHOOTING

NOISE, VIBRATION, AND HARSHNESS (NVH) TROUBLESHOOTING

PFP:00003

NVH Troubleshooting Chart

EES0017S

Use the chart below to help you find the cause of the symptom. If necessary, repair or replace these parts.

Reference page		WT-4	WT-5	WT-8	WT-7	—	—	WT-8	MT-8	FAX-4, "NVH Troubleshooting Chart", FSU-4, "NVH Troubleshooting Chart"	RAX-4, "NVH Troubleshooting Chart", RSU-4, "NVH Troubleshooting Chart"	Refer to TIRES in this chart.	Refer to ROAD WHEEL in this chart.	BR-5, "NVH Troubleshooting Chart"	PS-5, "NVH Troubleshooting Chart"	
Possible cause and SUSPECTED PARTS		Out-of-round	Imbalance	Incorrect tire pressure	Uneven tire wear	Deformation or damage	Non-uniformity	Incorrect tire size	DIFFERENTIAL (Transaxle)	FRONT AXLE AND FRONT SUSPENSION	REAR AXLE AND REAR SUSPENSION	TIRES	ROAD WHEEL	BRAKE	STEERING	
Symptom	TIRES	Noise	x	x	x	x	x	x	x	x	x		x	x	x	
		Shake	x	x	x	x	x		x	x	x		x	x	x	
		Vibration			x				x		x	x				x
		Shimmy	x	x	x	x	x	x	x		x	x		x	x	x
		Shudder	x	x	x	x	x		x		x	x		x	x	x
		Poor quality ride or handling	x	x	x	x	x		x		x	x		x		
	ROAD WHEEL	Noise	x	x			x			x	x	x	x		x	x
		Shake	x	x			x				x	x	x		x	x
Shimmy, shudder		x	x			x				x	x	x		x	x	
Poor quality ride or handling		x	x			x				x	x	x				

x: Applicable

A
B
C
D
WT
F
G
H
I
J
K
L
M

WHEEL

WHEEL

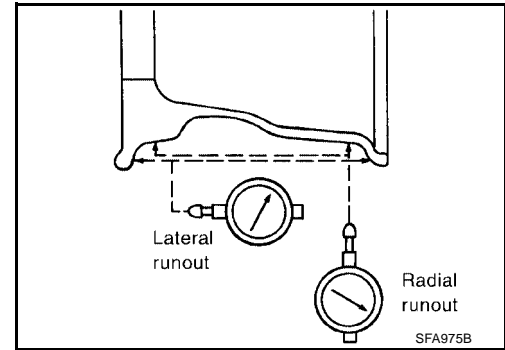
PFP:40300

Inspection

EES0024P

1. Check tires for wear and improper inflation.
2. Check wheels for deformation, cracks and other damage. If deformed, remove wheel and check wheel runout.
 - a. Remove tire from aluminum wheel and mount on a tire balance machine.
 - b. Set dial indicator as shown.

Wheel runout (Dial indicator value) : Refer to [WT-8, "Road Wheel"](#) .



3. Check wheel bearings for looseness. Refer to [FAX-5, "FRONT WHEEL BEARING"](#) and [RAX-5, "Rear Wheel Bearing"](#) .
4. Check suspension for looseness. Refer to [FSU-6, "On-vehicle Service"](#) and [RSU-6, "On-vehicle Service"](#) .

WHEEL AND TIRE ASSEMBLY

WHEEL AND TIRE ASSEMBLY

PFP:40300

Balancing Wheels REMOVAL

EES0017U

1. Remove inner and outer balance weights from the wheel.

CAUTION:

- Be careful not to scratch the wheel during removal procedures.

2. Using releasing agent, remove double-faced adhesive tape from the wheel.

CAUTION:

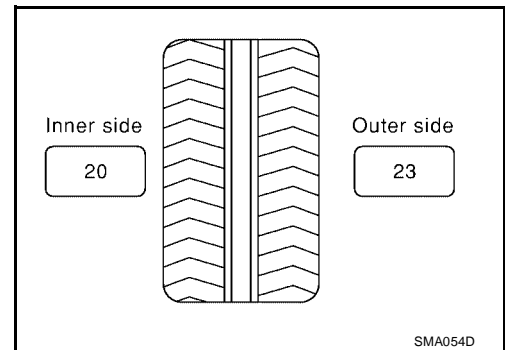
- Be careful not to scratch the wheel during removal.
- After removing double-faced adhesive tape, wipe clean traces of releasing agent from the wheel.

WHEEL BALANCE ADJUSTMENT

- If a tire balance machine has adhesion balance weight mode settings and drive-in weight mode setting, select and adjust a drive-in weight mode suitable for wheels.

1. Set wheel on wheel balancer using the center hole as a guide. Start the tire balance machine.

2. When inner and outer unbalance values are shown on the wheel balancer indicator, multiply outer unbalance value by 1.6 to determine balance weight that should be used. Select the outer balance weight with a value closest to the calculated value and install it to the designated outer position of, or at the designated angle in relation to the road wheel.



CAUTION:

- Do not install the inner balance weight before installing the outer balance weight.
- Before installing the balance weight, be sure to clean the mating surface of the wheel.

Indicated unbalance value $\times 5/3$ = balance weight to be installed

Calculation example:

23 g (0.81 oz.) $\times 5/3$ = 38.33 g (1.35 oz.) = 40 g (1.41 oz.) balance weight (closer to calculated balance weight value)

Note that balance weight value must be closer to the calculated balance weight value.

Example:

37.4 g = 35 g (1.23 oz.)

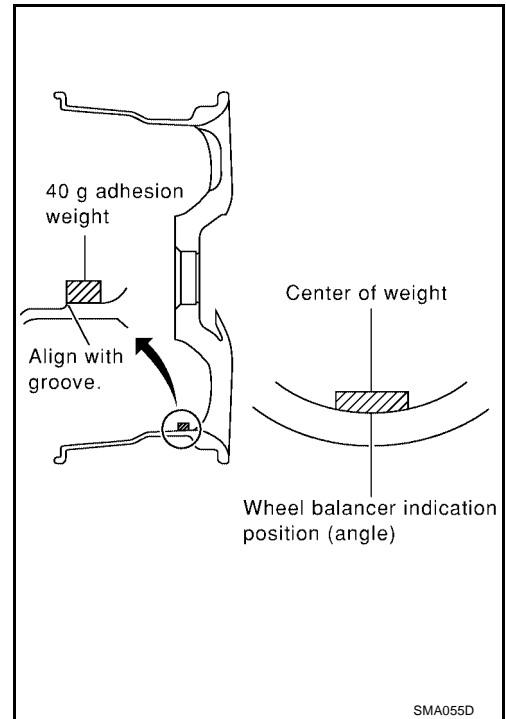
37.5 g = 40 g (1.41 oz.)

WHEEL AND TIRE ASSEMBLY

- a. Install balance weight in the position shown.
- b. When installing balance weight to wheels, set it into the grooved area on the inner wall of the wheel as shown so that the balance weight center is aligned with the wheel balancer indication position (angle).

CAUTION:

- Always use genuine Nissan adhesion balance weights.
- Balance weights are not reusable; always replace with new ones.
- Do not install more than three sheets of balance weight.



- c. If calculated balance weight value exceeds 50 g (1.76 oz.), install two balance weight sheets in line with each other as shown.

CAUTION:

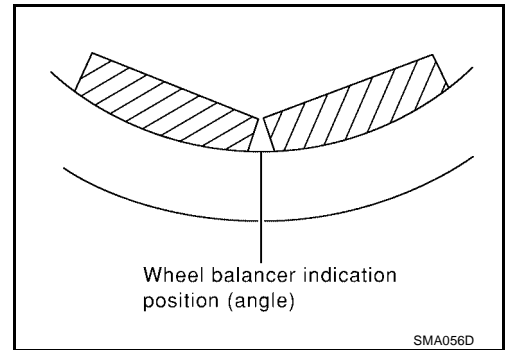
Do not install one balance weight sheet on top of another.

3. Start wheel balancer again.
4. Install drive-in balance weight on inner side of road wheel in the wheel balancer indication position (angle).

CAUTION:

Do not install more than two balance weights.

5. Start wheel balancer. Make sure that inner and outer residual unbalance values are 5 g (0.18 oz.) each or below.
 - If either residual unbalance value exceeds 5 g (0.18 oz.), repeat installation procedures.



Wheel balance (Maximum allowable unbalance):

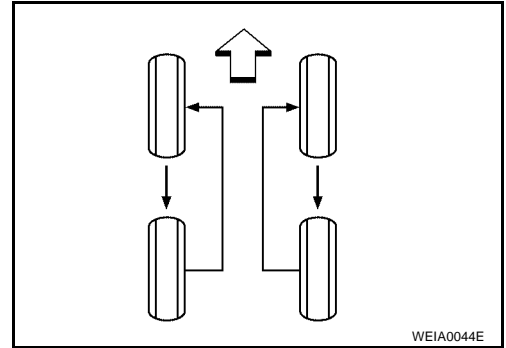
Maximum allowable unbalance	Dynamic (At rim flange)	5 g (0.18 oz.) (one side)
	Static	10 g (0.35 oz.)

WHEEL AND TIRE ASSEMBLY

EES0017V

Rotation

- Follow the maintenance schedule for tire rotation service intervals. Refer to [MA-7, "PERIODIC MAINTENANCE"](#).
- Do not include the T-type spare tire when rotating the tires. Rotate tires in the direction shown.
- Tighten all wheel nuts to specification.
CAUTION:
When installing wheels, tighten them diagonally by dividing the work two to three times in order to prevent the wheels from developing any distortion.
Wheel nut : 108 N·m (11 kg·m, 80 ft·lb)
- After rotating the tires, adjust the tire pressure. Refer to [WT-8, "Tire"](#).



A
B
C
D
WT
F
G
H
I
J
K
L
M

SERVICE DATA AND SPECIFICATIONS (SDS)

SERVICE DATA AND SPECIFICATIONS (SDS)

PFP:00030

Road Wheel

EES0017W

Wheel type		Aluminum	Steel	
			Inside	Outside
Maximum radial runout limit	Lateral mm (in)	0.3 (0.012) or less	1.0 (0.039) or less	0.9 (0.035) or less
	Radial mm (in)	0.3 (0.012) or less	0.8 (0.031) or less	0.4 (0.016) or less
Allowable quantity of residual unbalance	Dynamic (On the ear part)	Less than 5 g (0.18 oz.) (per side)		
	Static (On the ear part)	Less than 10 g (0.35 oz.)		

Tire

EES0017X

Unit: kPa (kg/cm², psi)

Tire size	Air pressure	
	Conventional tire	Spare tire
T135/70R16 T135/90R16 (when equipped with TCS) T155/80R17	—	420 (4.2, 60)
P215/60R16	200 (2.04, 29)	—
P215/55R17	Front	—
	Rear	—
P225/45R18	240 (2.45, 35)	—