

A
B
C

WW

SECTION

WIPER, WASHER & HORN

CONTENTS

<p>PRECAUTION 3</p> <p>Precautions for Supplemental Restraint System (SRS) "AIR BAG" and "SEAT BELT PRE-TENSIONER" 3</p> <p>FRONT WIPER AND WASHER SYSTEM 4</p> <p>Components Parts and Harness Connector Location 4</p> <p>System Description 4</p> <p> LOW SPEED WIPER OPERATION 5</p> <p> HI SPEED WIPER OPERATION 5</p> <p> INTERMITTENT OPERATION 5</p> <p> AUTO STOP OPERATION 6</p> <p> WASHER OPERATION 6</p> <p> MIST OPERATION 6</p> <p> FAIL-SAFE FUNCTION 6</p> <p> COMBINATION SWITCH READING FUNCTION... 7</p> <p>CAN Communication System Description 7</p> <p>Wiring Diagram — WIPER — 8</p> <p>Terminals and Reference Values for BCM 10</p> <p>Terminals and Reference Values for IPDM E/R 11</p> <p>Work Flow 11</p> <p>Preliminary Inspection 11</p> <p> INSPECTION FOR POWER SUPPLY AND GROUND CIRCUIT 11</p> <p>CONSULT-II Function (BCM) 13</p> <p> CONSULT-II OPERATION 13</p> <p> WORK SUPPORT 14</p> <p> DATA MONITOR 14</p> <p> ACTIVE TEST 15</p> <p>CONSULT-II Function (IPDM E/R) 15</p> <p> CONSULT-II OPERATION 15</p> <p> DATA MONITOR 16</p> <p> ACTIVE TEST 17</p> <p>Trouble Diagnosis 17</p> <p> FRONT WIPER DOES NOT OPERATE 17</p> <p> FRONT WIPER STOP POSITION IS INCORRECT 20</p> <p> ONLY FRONT WIPER LOW DOES NOT OPERATE 22</p> <p> ONLY FRONT WIPER HI DOES NOT OPERATE. 22</p>	<p> ONLY FRONT WIPER INT DOES NOT OPERATE 23</p> <p> FRONT WIPER INTERMITTENT OPERATION SWITCH POSITION CANNOT BE ADJUSTED... 24</p> <p> WIPERS DO NOT WIPE WHEN FRONT WASHER OPERATES 24</p> <p> FRONT WIPERS OPERATE FOR 10 SECONDS, STOP FOR 20 SECONDS, AND AFTER REPEATING THIS OPERATION FIVE TIMES, THEY BECOME INOPERATIVE 24</p> <p> Removal and Installation 26</p> <p> FRONT WIPER ARMS 26</p> <p> WIPER ARM ADJUSTMENT AFTER INSTALLATION 26</p> <p> Removal and Installation 27</p> <p> WIPER MOTOR AND LINKAGE 27</p> <p> REMOVAL 27</p> <p> INSTALLATION 27</p> <p> Washer Nozzle Adjustment 28</p> <p> Washer Tube Layout 28</p> <p> Removal and Installation 29</p> <p> WIPER AND WASHER SWITCH 29</p> <p> Removal and Installation 29</p> <p> WASHER FLUID RESERVOIR 29</p> <p> INSTALLATION 29</p> <p> Removal and Installation of Washer Motor 29</p> <p> REMOVAL 29</p> <p> INSTALLATION 30</p> <p>CIGARETTE LIGHTER 31</p> <p> Wiring Diagram — CIGAR — 31</p> <p> Removal and Installation 32</p> <p> REMOVAL 32</p> <p> INSTALLATION 32</p> <p>POWER SOCKET 33</p> <p> Wiring Diagram — P/SCKT — 33</p> <p> Removal and Installation 34</p> <p> REMOVAL 34</p> <p> INSTALLATION 34</p> <p>HORN 35</p>
---	--

WW

Wiring Diagram — HORN —	35
Removal and Installation	36
HORN HIGH	36
HORN LOW	36

PRECAUTION

PRECAUTION

PF0:00011

Precautions for Supplemental Restraint System (SRS) “AIR BAG” and “SEAT BELT PRE-TENSIONER”

EKS008QF

The Supplemental Restraint System such as “AIR BAG” and “SEAT BELT PRE-TENSIONER”, used along with a front seat belt, helps to reduce the risk or severity of injury to the driver and front passenger for certain types of collision. This system includes seat belt switch inputs and dual stage front air bag modules. The SRS system uses the seat belt switches to determine the front air bag deployment, and may only deploy one front air bag, depending on the severity of a collision and whether the front occupants are belted or unbelted. Information necessary to service the system safely is included in the SRS and SB section of this Service Manual.

WARNING:

- To avoid rendering the SRS inoperative, which could increase the risk of personal injury or death in the event of a collision which would result in air bag inflation, all maintenance must be performed by an authorized NISSAN/INFINITI dealer.
- Improper maintenance, including incorrect removal and installation of the SRS, can lead to personal injury caused by unintentional activation of the system. For removal of Spiral Cable and Air Bag Module, see the SRS section.
- Do not use electrical test equipment on any circuit related to the SRS unless instructed to in this Service Manual. SRS wiring harnesses can be identified by yellow and/or orange harnesses or harness connectors.

A
B
C
D
E
F
G
H
I
J
L
M

WW

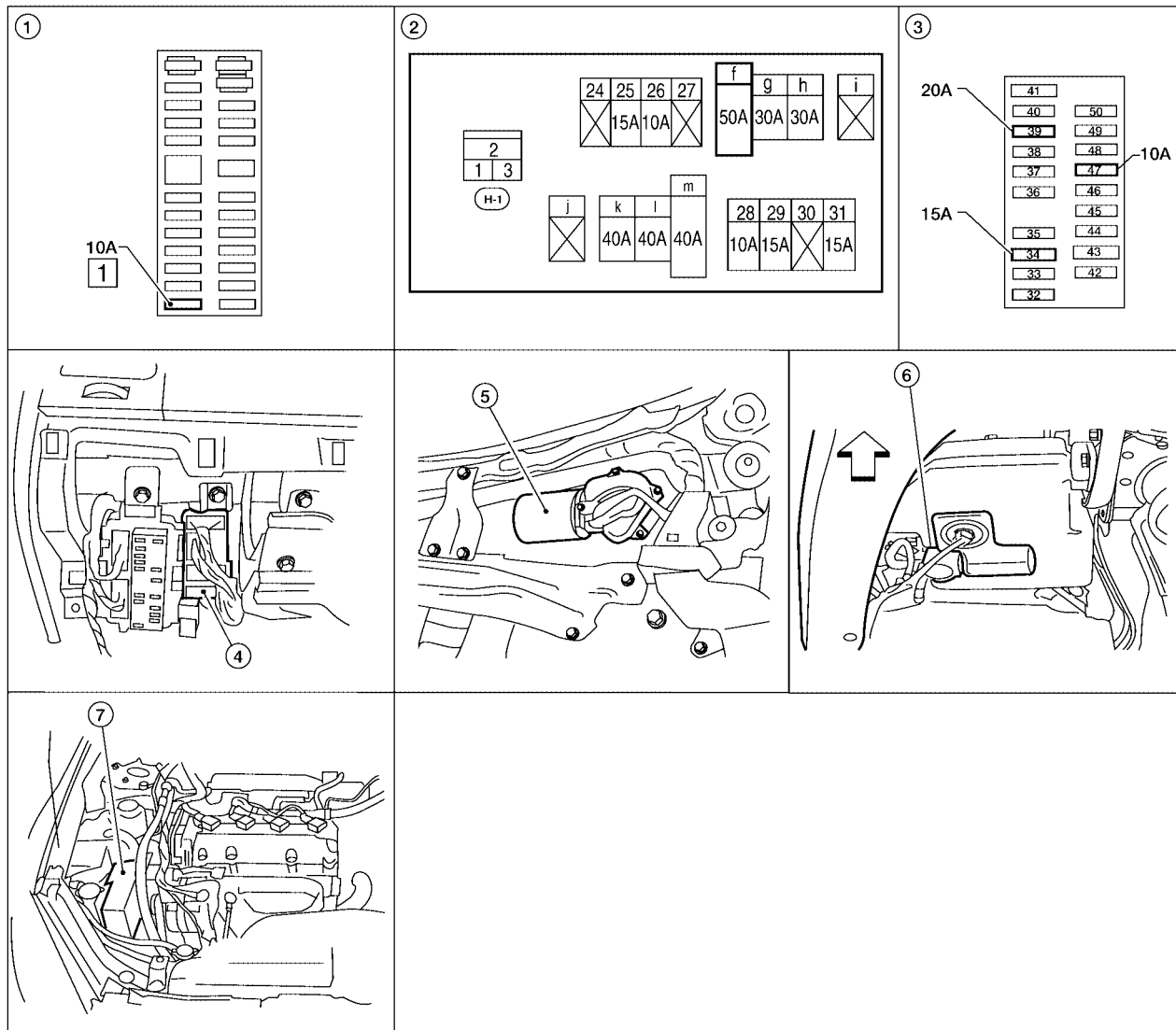
FRONT WIPER AND WASHER SYSTEM

FRONT WIPER AND WASHER SYSTEM

PF2:28810

Components Parts and Harness Connector Location

EKS008QH



WKIA4516E

←: Vehicle front

- | | | |
|--|------------------------------|-------------------------------|
| 1. Fuse block (J/B) | 2. Fuse and fusible link box | 3. IPDM E/R fuse layout |
| 4. BCM
M18, M19, M20 | 5. Front wiper motor
E23 | 6. Front washer motor
E105 |
| 7. IPDM E/R
E118, E119, E120, E121, E122, E123,
E124 | | |

System Description

EKS008QI

- Both front wiper relays are located in the IPDM E/R (intelligent power distribution module engine room)
- Wiper switch (combination switch) is composed of a combination of 5 output terminals and 5 input terminals. Terminal combination status is read by BCM (body control module)
- BCM controls front wiper LO, HI, and INT (intermittent) operation
- IPDM E/R operates the wiper motor according to CAN communication signals from the BCM.

Power is supplied at all times

- to ignition relay, located in the IPDM E/R, and

FRONT WIPER AND WASHER SYSTEM

- through 50A fusible link (letter f , located in the fuse and fusible link box)
- to BCM terminal 70, and
- through 20A fuse (No. 39, located in the IPDM E/R)
- to front wiper relay, located in the IPDM E/R.

With the ignition switch in ON or START position, power is supplied at all times

- through 10A fuse [No. 1, located in the fuse block (J/B)]
- to BCM terminal 38, and
- to ignition relay, located in the IPDM E/R, and
- through 10A fuse (No. 47, located in the IPDM E/R)
- through IPDM E/R terminal 44
- to front washer motor terminal 1.

Ground is supplied

- to BCM terminal 67 and
- to combination switch terminal 9
- through grounds F14, M57 and M61, and
- to IPDM E/R terminals 38 and 60 and
- to front wiper motor terminal E
- through grounds E15 and E24.

LOW SPEED WIPER OPERATION

When the ignition switch is in the ON or START position and the front wiper switch is turned to low position, the BCM detects a low speed wiper ON signal by BCM wiper switch reading function.

BCM then sends front wiper (low) request signal over CAN communication lines

- from BCM terminals 39 and 40
- to IPDM E/R terminals 48 and 49.

When IPDM E/R receives front wiper (low) request signal, it supplies ground to energize the front wiper relay. With the front wiper relay energized, power is supplied

- through front wiper relay
- to front wiper HI relay
- through IPDM E/R terminal 21
- to front wiper motor terminal L.

With power and ground supplied, the front wiper motor operates at low speed.

HI SPEED WIPER OPERATION

When the ignition switch is in the ON or START position and the front wiper switch is turned to high position, the BCM detects a high speed wiper ON signal by BCM wiper switch reading function.

BCM then sends front wiper (high) request signal over CAN communication lines

- from BCM terminals 39 and 40
- to IPDM E/R terminals 48 and 49.

When IPDM E/R receives front wiper (high) request signal, it supplies ground to energize the front wiper and the front wiper HI relays.

With the front wiper and the front wiper HI relays energized, power is supplied

- through front wiper relay
- to front wiper HI relay
- through IPDM E/R terminal 31
- to front wiper motor terminal H.

With power and ground supplied, the front wiper motor operates at high speed.

INTERMITTENT OPERATION

Wiper intermittent operation delay interval is determined from the combination of the intermittent wiper dial position inputs and vehicle speed. During each intermittent operation delay interval, the BCM sends a front wiper request signal to the IPDM E/R to operate the wipers.

A
B
C
D
E
F
G
H
I
J
L
M

WW

FRONT WIPER AND WASHER SYSTEM

When the ignition switch is in ON or START position and the front wiper switch is turned to intermittent position, the BCM detects a front wiper (intermittent) ON signal by BCM wiper switch reading function. BCM then sends front wiper (intermittent) request signal over CAN communication lines

- from BCM terminals 39 and 40
- to IPDM E/R terminals 48 and 49.

When BCM determines that combination switch status is front wiper intermittent ON, it performs the following operations.

- BCM detects ON/OFF status of intermittent wiper dial position
- BCM calculates operation interval from wiper dial position and vehicle speed signal received through CAN communications
- BCM sends front wiper request signal (INT) to IPDM E/R at calculated operation interval.

When IPDM E/R receives front wiper request signal (INT), it supplies ground to energize the front wiper relay. It then sends auto-stop signal to BCM and conducts intermittent front wiper motor operation.

AUTO STOP OPERATION

When the wiper arms are not located at the base of the windshield and the wiper switch is turned OFF, the wiper motor will continue to operate until the wiper arms reach windshield base. When wiper arms reach base of windshield, front wiper motor terminals E and P are connected.

Ground is supplied

- to IPDM E/R terminal 32
- through front wiper motor terminal P
- through front wiper motor terminal E
- through grounds E15 and E24.

The IPDM E/R sends auto stop operation signal to BCM through CAN communication lines.

When BCM receives auto stop operation signal, BCM sends wiper stop signal to IPDM E/R with CAN communication lines. The IPDM E/R then de-energizes the front wiper relay.

Wiper motor will then stop wiper arms at the STOP position.

WASHER OPERATION

When wiper switch is in front wiper washer position, BCM detects front wiper washer signal by BCM wiper switch reading function. Refer to [BCS-3, "COMBINATION SWITCH READING FUNCTION"](#).

When the ignition switch is in ON or START position, power is supplied

- through 10A fuse (No. 47, located in the IPDM E/R)
- through IPDM E/R terminal 44
- to front washer motor terminal 1.

When front wiper switch is turned to washer position, ground is supplied

- to front washer motor terminal 2
- through combination switch terminal 3
- through combination switch terminal 9
- through grounds F14, M57 and M61.

With ground supplied, the front washer motor is operated.

When BCM detects that front washer motor has operated for 0.4 seconds or longer, BCM uses CAN communication and sends wiper request signal to IPDM E/R for low speed operation of wipers.

When BCM detects that washer switch is OFF, low speed operation cycles approximately 3 times and then stops.

MIST OPERATION

When the wiper switch is temporarily placed in the mist position, wiper low speed operation cycles once and then stops.

For additional information about wiper operation under this condition, refer to [WW-5, "LOW SPEED WIPER OPERATION"](#).

If the switch is held in the mist position, low speed operation continues.

FAIL-SAFE FUNCTION

BCM includes fail-safe function to prevent malfunction of electrical components controlled by CAN communications if a malfunction in CAN communications occurs.

FRONT WIPER AND WASHER SYSTEM

BCM uses CAN communications to stop output of electrical components it controls. Until ignition switch is turned off, front wiper remains in same status as just before fail-safe control was initiated. (If wiper was in low speed operation just before fail-safe, it continues low speed operation until ignition switch is turned OFF.)

When fail-safe status is initiated, BCM remains in standby until normal signals are received. When normal signals are received, fail-safe status is canceled.

COMBINATION SWITCH READING FUNCTION

Refer to [BCS-3, "COMBINATION SWITCH READING FUNCTION"](#) .

CAN Communication System Description

EKS008QJ

Refer to [LAN-20, "CAN COMMUNICATION"](#) .

A

B

C

D

E

F

G

H

I

J

WW

L

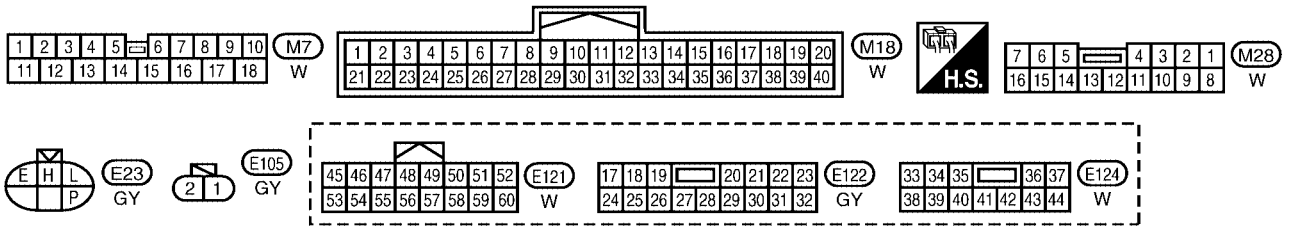
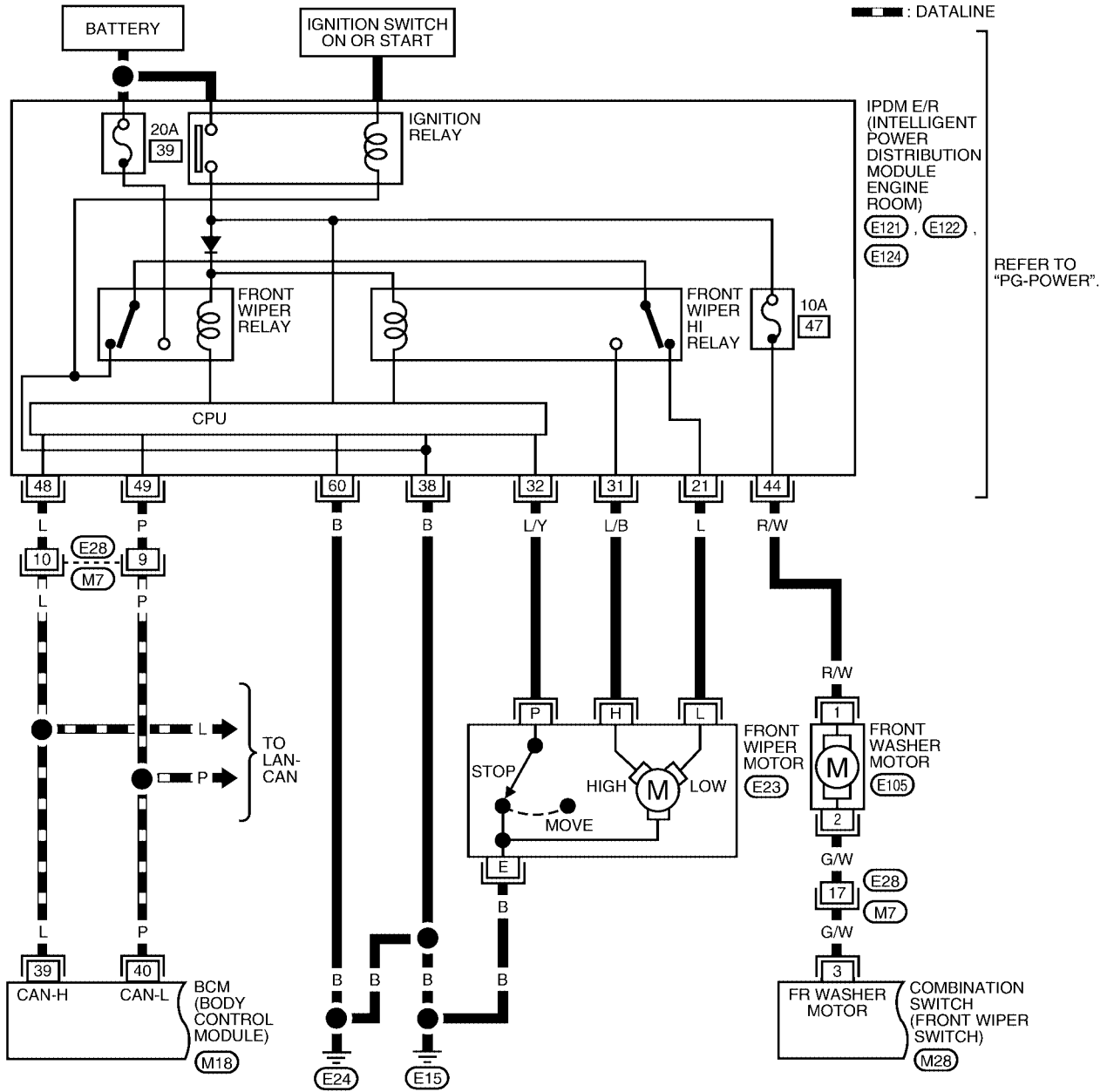
M

FRONT WIPER AND WASHER SYSTEM

Wiring Diagram — WIPER —

EKS008QK

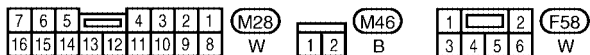
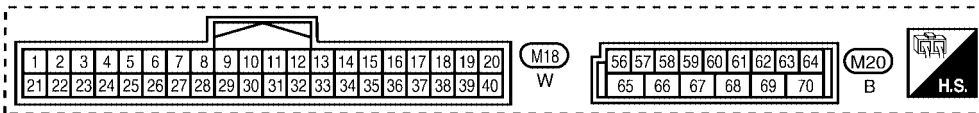
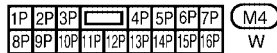
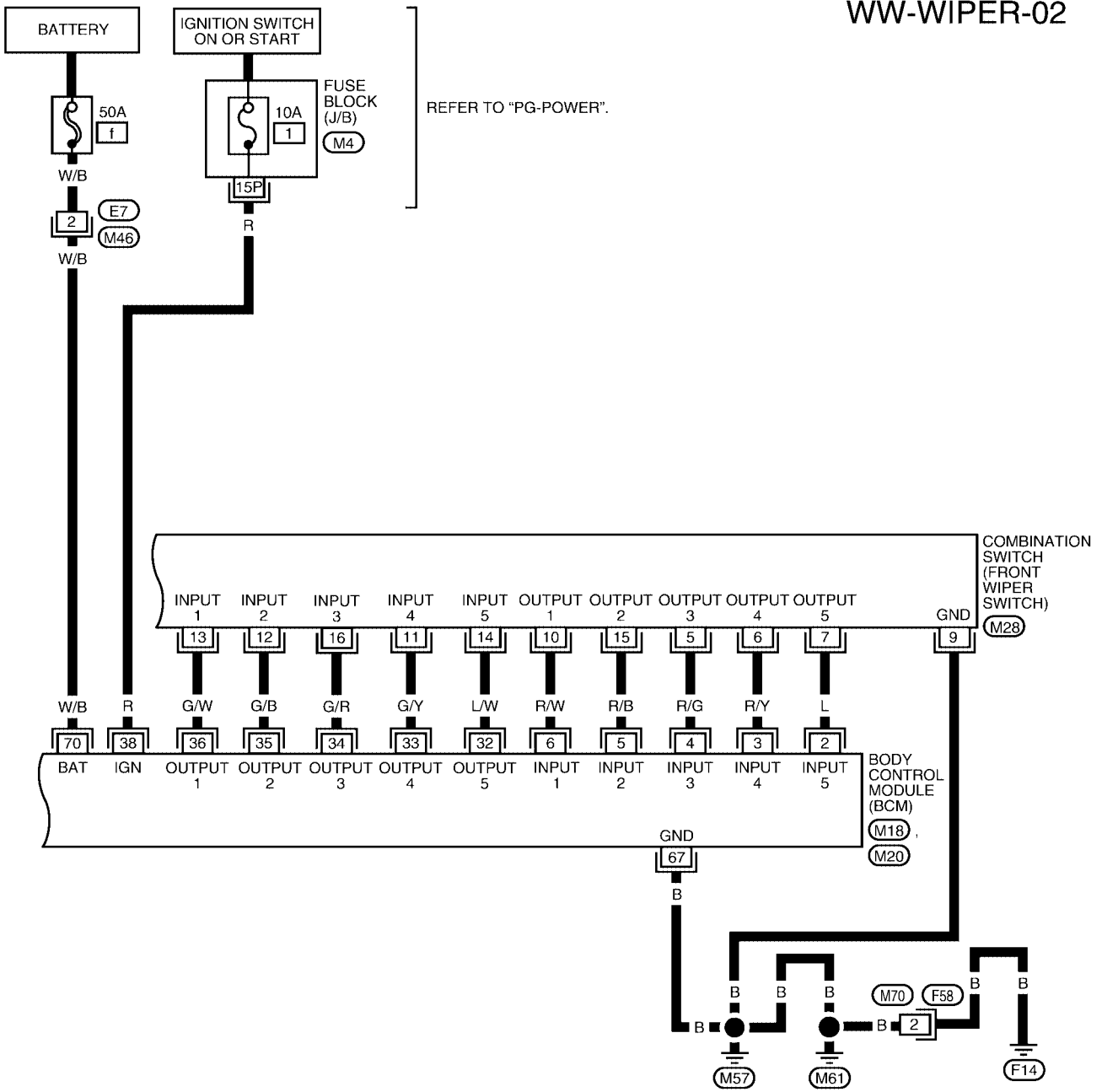
WW-WIPER-01



WKWA2908E

FRONT WIPER AND WASHER SYSTEM

WW-WIPER-02

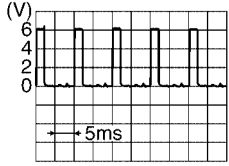
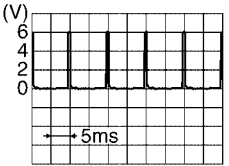
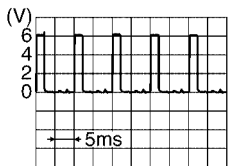
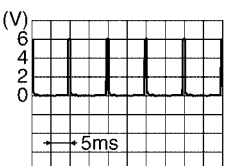
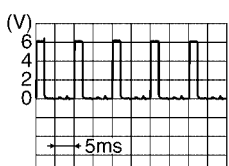




WKWA1348E

FRONT WIPER AND WASHER SYSTEM

Terminals and Reference Values for BCM

EKS008QL

Terminal No.	Wire color	Signal name	Measuring condition		Reference Value (V) (Approx.)
			Ignition switch	Operation or condition	
2	L	Combination switch input 5	ON	<ul style="list-style-type: none"> Light switch and wiper switch OFF Wiper dial position 4 	 <p style="text-align: right;">SKIA5291E</p>
3	R/Y	Combination switch input 4	ON	<ul style="list-style-type: none"> Light switch and wiper switch OFF Wiper dial position 4 	 <p style="text-align: right;">SKIA5292E</p>
4	R/G	Combination switch input 3	ON	<ul style="list-style-type: none"> Light switch and wiper switch OFF Wiper dial position 4 	 <p style="text-align: right;">SKIA5291E</p>
5	R/B	Combination switch input 2	ON	<ul style="list-style-type: none"> Light switch and wiper switch OFF Wiper dial position 4 	 <p style="text-align: right;">SKIA5292E</p>
6	R/W	Combination switch input 1			
32	L/W	Combination switch output 5	ON	<ul style="list-style-type: none"> Light switch and wiper switch OFF Wiper dial position 4 	 <p style="text-align: right;">SKIA5291E</p>
33	G/Y	Combination switch output 4	ON	<ul style="list-style-type: none"> Light switch and wiper switch OFF Wiper dial position 4 	 <p style="text-align: right;">SKIA5292E</p>
34	G/R	Combination switch output 3	ON	<ul style="list-style-type: none"> Light switch and wiper switch OFF Wiper dial position 4 	 <p style="text-align: right;">SKIA5291E</p>

FRONT WIPER AND WASHER SYSTEM

Terminal No.	Wire color	Signal name	Measuring condition		Reference Value (V) (Approx.)
			Ignition switch	Operation or condition	
35	G/B	Combination switch output 2	ON	<ul style="list-style-type: none"> Light switch and wiper switch OFF Wiper dial position 4 	
36	G/W	Combination switch output 1			
38	R	Ignition switch (ON)	ON	—	Battery
39	L	CAN-H	ON	—	—
40	P	CAN-L	ON	—	—
67	B	Ground	—	—	0
70	W/B	Battery power	OFF	—	Battery

Terminals and Reference Values for IPDM E/R

EKS008QM

Terminal No.	Wire color	Signal name	Measuring condition		Reference value (V) (Approx.)
			Ignition switch	Operation or condition	
21	L	Low speed signal	ON	Wiper switch OFF	0
				LO	Battery
31	L/B	High speed signal	ON	Wiper switch OFF	0
				HI	Battery
32	L/Y	Wiper auto stop signal	ON	Wiper operating	Battery
				Wiper stopped	0
38	B	Ground	—	—	0
44	R/W	Front washer motor power	ON	—	Battery
48	L	CAN-H	ON	—	—
49	P	CAN-L	ON	—	—
60	B	Ground	—	—	0

Work Flow

EKS008QN

1. Confirm the symptom or customer complaint.
2. Understand the system description, refer to [WW-4, "System Description"](#).
3. Perform preliminary inspection, refer to [WW-11, "Preliminary Inspection"](#).
4. Check symptom and repair or replace the cause of malfunction.
5. Does wiper function operate normally? If it operates normally, GO TO 6. If not, GO TO 4.
6. Inspection End.

Preliminary Inspection

EKS008QO

INSPECTION FOR POWER SUPPLY AND GROUND CIRCUIT

Inspection procedure

1. CHECK FUSE

Check if wiper or washer fuse is blown.

Unit	Power source	Fuse No.
Front washer motor	Ignition ON or START	47
Front wiper relay	Battery	39

FRONT WIPER AND WASHER SYSTEM

Unit	Power source	Fuse No.
BCM	Ignition ON or START	1
	Battery	f

OK or NG

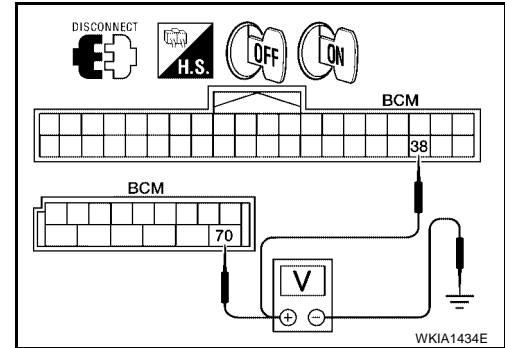
OK >> GO TO 2.

NG >> If fuse is blown, be sure to eliminate cause of blown fuse before installing new fuse. Refer to [PG-4, "POWER SUPPLY ROUTING CIRCUIT"](#).

2. CHECK POWER SUPPLY CIRCUIT

1. Disconnect BCM connectors.
2. Check voltage between BCM harness connector terminals and ground.

BCM		(-)	Ignition switch position	
(+)			OFF	ON
Connector	Terminal	Ground	0V	Battery voltage
M18	38		Battery voltage	Battery voltage
M20	70		Battery voltage	Battery voltage



OK or NG

OK >> GO TO 3.

NG >> Check harness for open or short between BCM and fuse.

3. GROUND CIRCUIT INSPECTION (BCM)

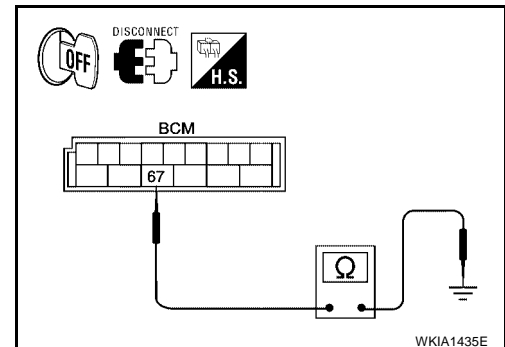
Check for continuity between the following terminals on BCM connector and ground.

BCM		Ground	Ignition switch condition	Continuity
Connector	Terminal			
M20	67	Ground	OFF	Yes

OK or NG

OK >> Inspection End.

NG >> Repair/replace BCM ground circuit.



FRONT WIPER AND WASHER SYSTEM

CONSULT-II Function (BCM)

EKS008QP

CONSULT-II can display each diagnostic item using the diagnostic test modes shown following.

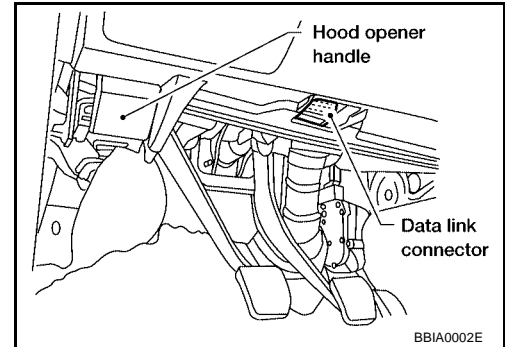
BCM diagnostic test item	Diagnostic mode	Description
Inspection by part	WORK SUPPORT	Supports inspections and adjustments. Commands are transmitted to the BCM for setting the status suitable for required operation, input/output signals are received from the BCM and received data is displayed.
	DATA MONITOR	Displays BCM input/output data in real time.
	ACTIVE TEST	Operation of electrical loads can be checked by sending drive signal to them.
	SELF-DIAG RESULTS	Displays BCM self-diagnosis results.
	CAN DIAG SUPPORT MNTR	The result of transmit/receive diagnosis of CAN communication can be read.
	ECU PART NUMBER	BCM part number can be read.
	CONFIGURATION	Performs BCM configuration read/write functions.

CONSULT-II OPERATION

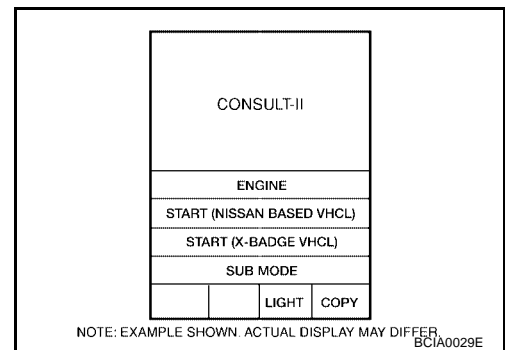
CAUTION:

If CONSULT-II is used with no connection of CONSULT-II CONVERTER, malfunctions might be detected in self-diagnosis depending on control unit which carries out CAN communication.

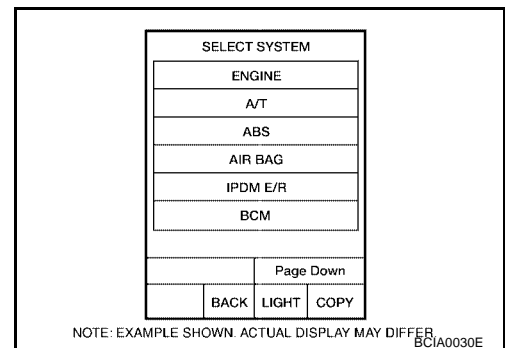
1. With the ignition switch OFF, connect CONSULT-II and CONSULT-II CONVERTER to the data link connector, then turn the ignition switch ON.



2. Touch "START (NISSAN BASED VHCL)".



3. Touch "BCM" on the "SELECT SYSTEM" screen. If "BCM" is not indicated, go to [Gl-39, "Consult-II Data Link Connector \(DLC\) Circuit"](#).



FRONT WIPER AND WASHER SYSTEM

4. Select the desired part to be diagnosed on the "SELECT TEST ITEM" screen.

SELECT TEST ITEM			
HEAD LAMP			
WIPER			
FLASHER			
AIR CONDITIONER			
COMB SW			
BCM			
Scroll Up		Page Down	
BACK	LIGHT	COPY	

LKIA0183E

WORK SUPPORT

Operation Procedure

1. Touch "WIPER" on the "SELECT TEST ITEM" screen.
2. Touch "WORK SUPPORT" on the "SELECT DIAG MODE" screen.
3. Touch "WIPER SPEED SETTING" on the "SELECT WORK ITEM" screen.
4. Touch "START".
5. Touch "CHANGE SETT".
6. The setting will be changed and "CUSTOMIZING COMPLETED" will be displayed.
7. Touch "END".

Work Support Setting Item

Item	Description	CONSULT-II
WIPER SPEED SETTING	When wiper switch is at INTERMITTENT, front wiper intermittent time can be selected according to vehicle speed. ● ON (Operated)/OFF ^{NOTE} (Not operated)	ON/OFF

NOTE:

Factory setting

DATA MONITOR

Operation Procedure

1. Touch "WIPER" on the "SELECT TEST ITEM" screen.
2. Touch "DATA MONITOR" on the "SELECT DIAG MODE" screen.
3. Touch either "ALL SIGNALS" or "SELECTION FROM MENU" on the "SELECT MONITOR ITEM" screen.

ALL SIGNALS	Monitors all the items.
SELECTION FROM MENU	Selects and monitors the individual item selected.

4. Touch "START".
5. When "SELECTION FROM MENU" is selected, touch items to be monitored. When "ALL SIGNALS" is selected, all the items will be monitored.
6. Touch "RECORD" while monitoring to record the status of the item being monitored. To stop recording, touch "STOP".

Display Item List

Monitor item name "OPERATION OR UNIT"	Contents
IGN ON SW "ON/OFF"	Displays "IGN Position (ON)/OFF, ACC Position (OFF)" status as judged from ignition switch signal.
IGN SW CAN "ON/OFF"	Displays "IGN switch ON (ON)/Other OFF or ACC (OFF)" status as judged from CAN communications.
FR WIPER HI "ON/OFF"	Displays "Front Wiper HI (ON)/Other (OFF)" status as judged from wiper switch signal.
FR WIPER LOW "ON/OFF"	Displays "Front Wiper LOW (ON)/Other (OFF)" status as judged from wiper switch signal.

FRONT WIPER AND WASHER SYSTEM

Monitor item name "OPERATION OR UNIT"	Contents
FR WIPER INT "ON/OFF"	Displays "Front Wiper INT (ON)/Other (OFF)" status as judged from wiper switch signal.
FR WASHER SW "ON/OFF"	Displays "Front Washer Switch (ON)/Other (OFF)" status as judged from wiper switch signal.
INT VOLUME (1 - 7)	Displays intermittent operation dial position setting (1 - 7) as judged from wiper switch signal.
FR WIPER STOP "ON/OFF"	Displays "Stopped (ON)/Operating (OFF)" status as judged from the auto-stop signal.
VEHICLE SPEED "0.0 km/h"	Displays vehicle speed as received from CAN communication.

ACTIVE TEST

Operation Procedure

1. Touch "WIPER" on the "SELECT TEST ITEM" screen.
2. Touch "ACTIVE TEST" on the "SELECT DIAG MODE" screen.
3. Touch item(s) to be tested and check operation of the selected item(s).
4. During the operation check, touching "BACK" deactivates the operation.

Display Item List

Test item	Display on CONSULT-II screen	Description
Front wiper HI output	FR WIPER (HI)	Front wiper HI can be operated by any ON-OFF operation.
Front wiper LO output	FR WIPER (LO)	Front wiper LO can be operated by any ON-OFF operation.
Front wiper INT output	FR WIPER (INT)	Front wiper INT can be operated by any ON-OFF operation.

CONSULT-II Function (IPDM E/R)

EKS008QQ

CONSULT-II can display each diagnostic item using the diagnostic test modes shown following.

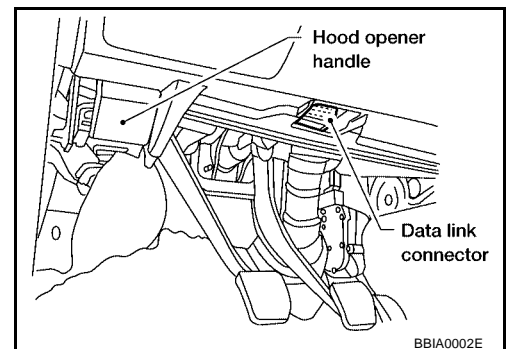
IPDM E/R diagnostic Mode	Description
SELF-DIAG RESULTS	Displays IPDM E/R self-diagnosis results.
DATA MONITOR	Displays IPDM E/R input/output data in real time.
CAN DIAG SUPPORT MNTR	The result of transmit/receive diagnosis of CAN communication can be read.
ACTIVE TEST	Operation of electrical loads can be checked by sending drive signal to them.

CONSULT-II OPERATION

CAUTION:

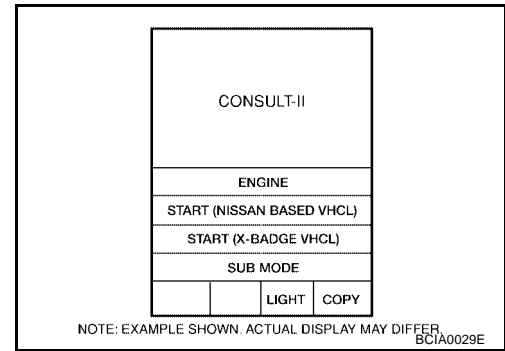
If CONSULT-II is used with no connection of CONSULT-II CONVERTER, malfunctions might be detected in self-diagnosis depending on control unit which carries out CAN communication.

1. With the ignition switch OFF, connect CONSULT-II and CONSULT-II CONVERTER to the data link connector, then turn the ignition switch ON.

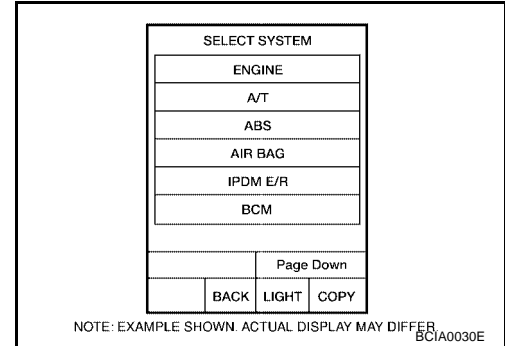


FRONT WIPER AND WASHER SYSTEM

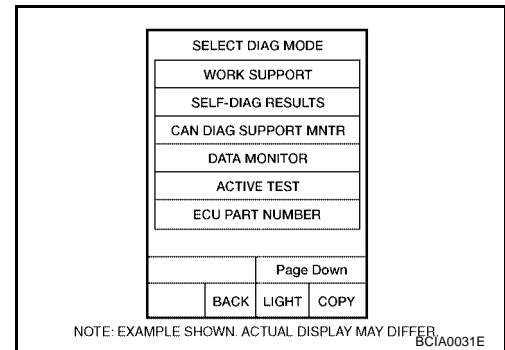
- Touch "START (NISSAN BASED VHCL)".



- Touch "IPDM E/R" on "SELECT SYSTEM" screen.
If "IPDM E/R" is not displayed, go to [GI-39, "Consult-II Data Link Connector \(DLC\) Circuit"](#).



- Select the desired part to be diagnosed on the "SELECT DIAG MODE" screen.



DATA MONITOR

Operation Procedure

- Touch "DATA MONITOR" on the "SELECT DIAG MODE" screen.
- Touch "ALL SIGNALS", "MAIN SIGNALS" or "SELECTION FROM MENU" on the "SELECT MONITOR ITEM" screen.

ALL SIGNALS	Monitors all the items.
MAIN SIGNALS	Monitors predetermined items.
SELECTION FROM MENU	Selects and monitors the individual item selected.

- Touch "START".
- When "SELECTION FROM MENU" is selected, touch items to be monitored. When "ALL SIGNALS" is selected, all the items will be monitored. When "MAIN SIGNALS" is selected, predetermined items will be monitored.
- Touch "RECORD" while monitoring to record the status of the item being monitored. To stop recording, touch "STOP".

FRONT WIPER AND WASHER SYSTEM

All Signals, Main Signals, Selection From Menu

Item name	CONSULT-II screen display	Display or unit	Monitor item selection			Description
			ALL SIGNALS	MAIN SIGNALS	SELECTION FROM MENU	
Front wiper request	FR WIP REQ	STOP/1LOW/LOW/HI	x	x	x	Signal status input from BCM.
Wiper auto stop	WIP AUTO STOP	ACT P/STOP P	x	x	x	Output status of IPDM E/R.
Wiper protection	WIP PROT	OFF/LS/HS/BLOCK	x	x	x	Control status of IPDM E/R.

NOTE:

Perform monitoring of IPDM E/R data with the ignition switch ON. When the ignition switch is at ACC, the display may not be correct.

ACTIVE TEST

Operation Procedure

1. Touch "ACTIVE TEST" on the "SELECT DIAG MODE" screen.
2. Touch "FRONT WIPER" on the "SELECT TEST ITEM" screen.
3. Touch item(s) to be tested and check operation of the selected item(s).
4. During the operation check, touching "BACK" deactivates the operation.

Display Item List

Test item	CONSULT-II screen display	Description
Front wiper (HI, LO) output	FRONT WIPER	With a certain operation (OFF, HI, LO) front wiper relays can be operated.

Trouble Diagnosis

FRONT WIPER DOES NOT OPERATE

EKS008QR

CAUTION:

During IPDM E/R fail-safe control, front wipers may not operate. Refer to [PG-16, "CAN COMMUNICATION LINE CONTROL"](#) to make sure that it is not in fail-safe status.

Inspection Procedure

1. CHECK IPDM E/R TO FRONT WIPERS

Ⓜ With CONSULT-II

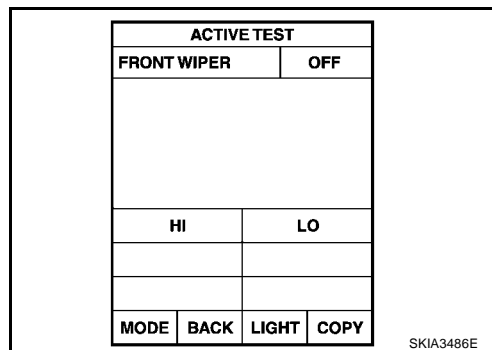
1. Select "IPDM E/R" with CONSULT-II, and select "ACTIVE TEST" on "SELECT DIAG MODE" screen.
2. Select "FRONT WIPER" on "SELECT TEST ITEM" screen.
3. Select "HI" or "LO" on "ACTIVE TEST" screen.
4. Confirm front wiper operation.

Ⓧ Without CONSULT-II

1. Turn on front wipers using auto active test. Refer to [PG-22, "Auto Active Test"](#).
2. Confirm front wiper operation.

OK or NG

- OK >> GO TO 4.
- NG >> GO TO 2.

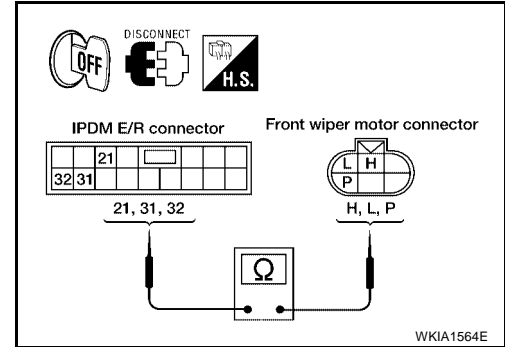


FRONT WIPER AND WASHER SYSTEM

2. IPDM E/R TO FRONT WIPERS CIRCUIT INSPECTION

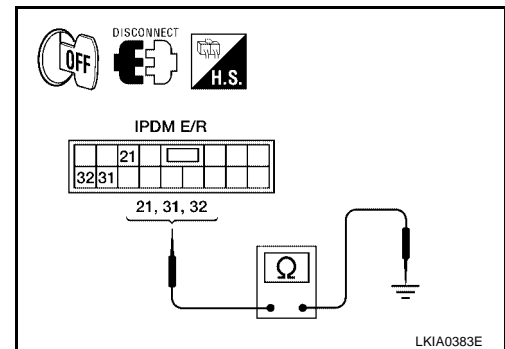
1. Turn ignition switch OFF.
2. Disconnect IPDM E/R connector and front wiper motor connector.
3. Check continuity between IPDM E/R connector terminals and front wiper motor connector terminals.

IPDM E/R		Front wiper motor		Continuity
Connector	Terminal	Connector	Terminal	
E122	31	E23	H	Yes
	21		L	
	32		P	



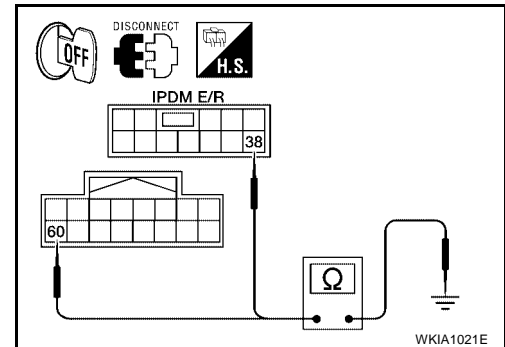
4. Check continuity between IPDM E/R connector terminals and ground.

IPDM E/R			Continuity
Connector	Terminal		
E122	31	Ground	No
	21		
	32		



5. Check continuity between IPDM E/R connector terminals and ground.

IPDM E/R			Continuity
Connector	Terminal		
E121	60	Ground	Yes
E124	38		

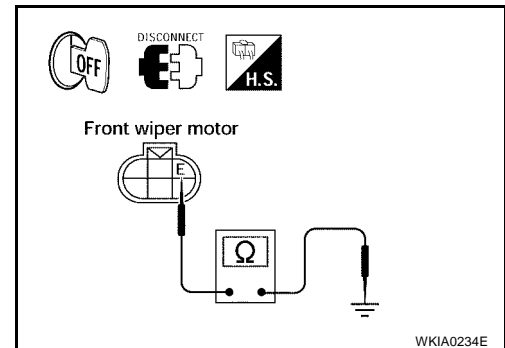


6. Check continuity between front wiper motor connector terminal E and ground.

Front wiper motor			Continuity
Connector	Terminal		
E23	E	Ground	Yes

OK or NG

- OK >> Connect connectors. GO TO 3.
- NG >> Check for open circuit in harness between front wiper motor and ground.

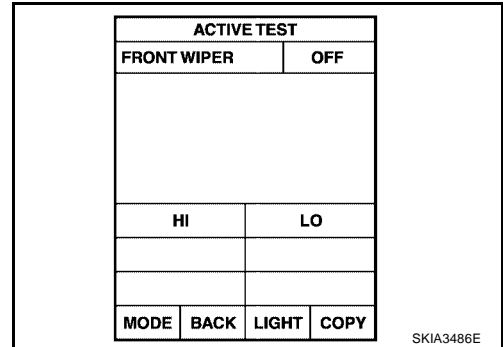


FRONT WIPER AND WASHER SYSTEM

3. IPDM E/R INSPECTION

Ⓜ With CONSULT-II

1. Select "IPDM E/R" with CONSULT-II, and select "ACTIVE TEST" on "SELECT DIAG MODE" screen.
2. Select "FRONT WIPER" on "SELECT TEST ITEM" screen.
3. Select "HI" or "LO" on "ACTIVE TEST" screen.

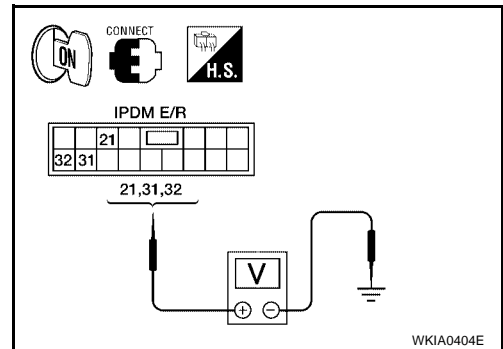


ⓧ Without CONSULT-II

1. Turn on front wipers using auto active test. Refer to [PG-22, "Auto Active Test"](#).

When front wiper relay, and front wiper HI relay are operating, check voltage between IPDM E/R terminals and ground.

IPDM E/R		(-)	Condition	Voltage (Approx.)
Connector	(+) Terminal			
E122	21	Ground	Stopped	0
			LO operation	Battery voltage
	31		Stopped	0
			HI operation	Battery voltage
	32		LO operation	Battery voltage
			Stopped	0



OK or NG

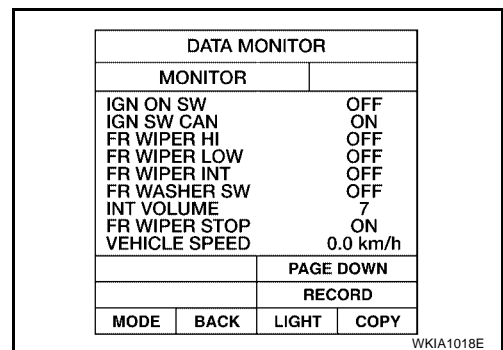
- OK >> Replace the front wiper motor. Refer to [WW-27, "Removal and Installation"](#).
- NG >> Replace IPDM E/R. Refer to [PG-28, "Removal and Installation of IPDM E/R"](#).

4. COMBINATION SWITCH TO BCM INSPECTION

Select "BCM" on CONSULT-II. With "WIPER" data monitor, check that "FR WIPER INT", "FR WIPER LOW" and "FR WIPER HI" turn ON-OFF according to operation of wiper switch.

OK or NG

- OK >> GO TO 5.
- NG >> Check wiper switch. Refer to [BCS-3, "COMBINATION SWITCH READING FUNCTION"](#).



FRONT WIPER AND WASHER SYSTEM

5. BCM INSPECTION

Select "BCM" on CONSULT-II. Carry out self-diagnosis of BCM.

Displayed self-diagnosis results

NO DTC>> Replace the BCM. Refer to [BCS-20, "Removal and Installation of BCM"](#) .

CAN COMM CIRCUIT>> Check CAN communication line of BCM.
GO TO [LAN-20, "CAN COMMUNICATION"](#) .

SELF-DIAG RESULTS			
DTC RESULTS		TIME	
CAN COMM CIRCUIT [U1000]		PAST	
ERASE		PRINT	
MODE	BACK	LIGHT	COPY

SKIA1039E

FRONT WIPER STOP POSITION IS INCORRECT

Inspection Procedure

1. CHECK IPDM E/R TO FRONT WIPER MOTOR

Ⓟ With CONSULT-II

Select "IPDM E/R" with CONSULT-II. With data monitor, confirm that "WIP AUTO STOP" changes from "ACT P" to "STOP P" according to wiper operation.

ⓧ Without CONSULT-II

GO TO 2.

OK or NG

OK >> Replace IPDM E/R. Refer to [PG-28, "Removal and Installation of IPDM E/R"](#) .

NG >> GO TO 2.

DATA MONITOR	
MONITOR	
MOTOR FAN REQ	1
AC COMP REQ	OFF
TAIL&CLR REQ	OFF
HL LO REQ	OFF
HL HI REQ	OFF
FR FOG REQ	OFF
FR WIP REQ	STOP
WIP AUTO STOP	STOP P
WIP PROT	OFF
Page DOWN	
RECORD	
MODE	BACK
LIGHT	COPY

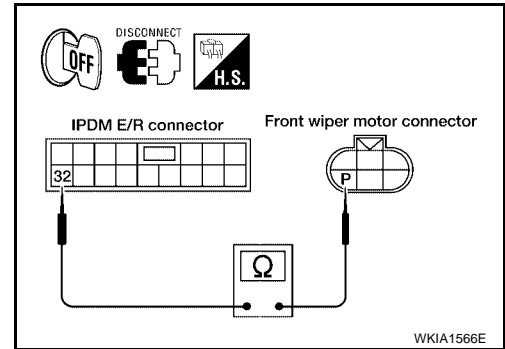
SKIA5301E

FRONT WIPER AND WASHER SYSTEM

2. IPDM E/R AND FRONT WIPER MOTOR CIRCUIT INSPECTION

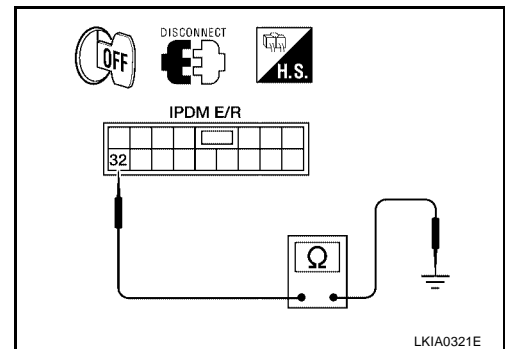
1. Turn ignition switch OFF.
2. Disconnect IPDM E/R connector and front wiper motor connector.
3. Check continuity between IPDM E/R connector and front wiper motor connector.

IPDM E/R		Front wiper motor		Continuity
Connector	Terminal	Connector	Terminal	
E122	32	E23	P	Yes



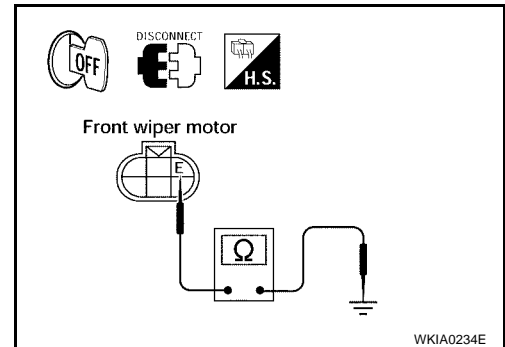
4. Check continuity between IPDM E/R connector terminal and ground.

IPDM E/R		Continuity
Connector	Terminal	
E122	32	No



5. Check continuity between front wiper motor connector terminal E and ground.

Front wiper motor		Continuity
Connector	Terminal	
E23	E	Yes



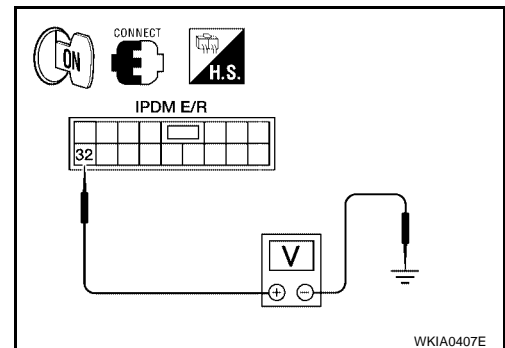
OK or NG

- OK >> Connect connectors. GO TO 3.
- NG >>
 - Check for short circuit or open circuit in harness between IPDM E/R and front wiper motor.
 - Check for open circuit in harness between front wiper motor and ground.

3. IPDM E/R TO FRONT WIPER MOTOR STOP CIRCUIT INSPECTION

1. Turn ignition switch ON.
2. While front wiper motor is stopped and while operating, measure voltage between IPDM E/R terminal 32 and ground.

IPDM E/R		(-)	Condition	Voltage (Approx.)
(+) Connector				
Terminal	Connector			
32	E122	Ground	Wiper operating	Battery voltage
			Wiper stopped	0V



OK or NG

- OK >> Replace IPDM E/R. Refer to [PG-28, "Removal and Installation of IPDM E/R"](#).
- NG >> Replace front wiper motor. Refer to [WW-27, "Removal and Installation"](#).

FRONT WIPER AND WASHER SYSTEM

ONLY FRONT WIPER LOW DOES NOT OPERATE

Inspection Procedure

1. COMBINATION SWITCH TO BCM INSPECTION

Select "BCM" on CONSULT-II. With "WIPER" data monitor, check that "FR WIPER LOW" turns ON-OFF according to operation of wiper switch.

OK or NG

- OK >> Replace the BCM. Refer to [BCS-20, "Removal and Installation of BCM"](#).
- NG >> Replace wiper switch. Refer to [WW-29, "Removal and Installation"](#).

DATA MONITOR			
MONITOR			
IGN ON SW		OFF	
IGN SW CAN		ON	
FR WIPER HI		OFF	
FR WIPER LOW		OFF	
FR WIPER INT		OFF	
FR WASHER SW		OFF	
INT VOLUME		7	
FR WIPER STOP		ON	
VEHICLE SPEED		0.0 km/h	
		PAGE DOWN	
		RECORD	
MODE	BACK	LIGHT	COPY

WKIA1018E

ONLY FRONT WIPER HI DOES NOT OPERATE

Inspection Procedure

1. CHECK IPDM E/R TO FRONT WIPERS

④ With CONSULT-II

- Select "IPDM E/R" with CONSULT-II, and select "ACTIVE TEST" on "SELECT DIAG MODE" screen.
- Select "FRONT WIPER" on "SELECT TEST ITEM" screen.
- Select "HI" on "ACTIVE TEST" screen.

⊗ Without CONSULT-II

- Turn on front wipers using auto active test. Refer to [PG-22, "Auto Active Test"](#).
- Confirm front wiper operation.

OK or NG

- OK >> GO TO 4.
- NG >> GO TO 2.

ACTIVE TEST	
FRONT WIPER	OFF
HI	LO
MODE	BACK
LIGHT	COPY

SKIA3486E

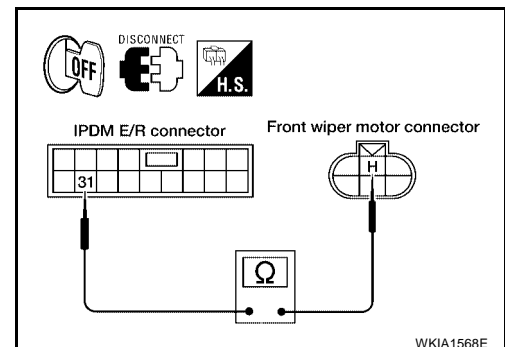
2. IPDM E/R TO FRONT WIPERS CIRCUIT INSPECTION

- Turn ignition switch OFF.
- Disconnect IPDM E/R connector and front wiper motor connector.
- Check continuity between IPDM E/R connector terminal and front wiper motor connector terminal.

IPDM E/R		Front wiper motor		Continuity
Connector	Terminal	Connector	Terminal	
E122	31	E23	H	Yes

OK or NG

- OK >> Connect connectors. GO TO 3.
- NG >> Check for short circuit or open circuit in harness between IPDM E/R and front wiper motor.



FRONT WIPER AND WASHER SYSTEM

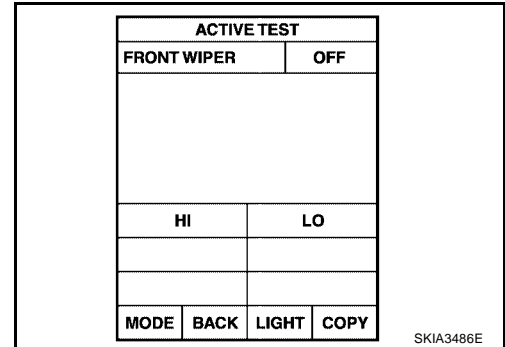
3. IPDM E/R INSPECTION

Ⓜ With CONSULT-II

1. Select "IPDM E/R" with CONSULT-II, and select "ACTIVE TEST" on "SELECT DIAG MODE" screen.
2. Select "FRONT WIPER" on "SELECT TEST ITEM" screen.
3. Select "HI" on "ACTIVE TEST" screen.

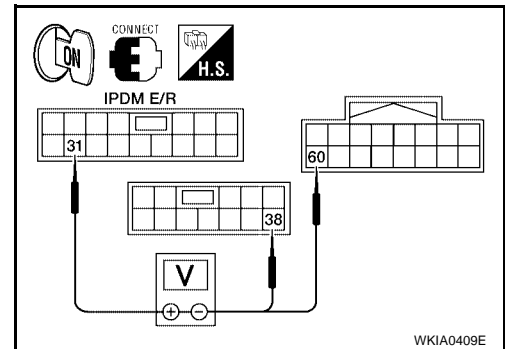
ⓧ Without CONSULT-II

1. Turn on front wipers using the auto active test. Refer to [PG-22, "Auto Active Test"](#).



When front wiper HI relay is operating, check voltage between IPDM E/R terminal 31 and terminals 38 and 60.

IPDM E/R				Voltage (Approx.)
(+)		(-)		
Connector	Terminal	Connector	Terminal	
E122	31	E124	38	Battery voltage
		E121	60	



OK or NG

- OK >> Replace the wiper motor. Refer to [WW-27, "Removal and Installation"](#).
- NG >> Replace IPDM E/R. Refer to [PG-28, "Removal and Installation of IPDM E/R"](#).

4. COMBINATION SWITCH TO BCM INSPECTION

Select "BCM" on CONSULT-II. With "WIPER" data monitor, check that "FR WIPER HI" turns ON-OFF according to operation of wiper switch.

OK or NG

- OK >> Replace the BCM. Refer to [BCS-20, "Removal and Installation of BCM"](#).
- NG >> Replace wiper switch. Refer to [WW-29, "Removal and Installation"](#).

DATA MONITOR	
MONITOR	
IGN ON SW	OFF
IGN SW CAN	ON
FR WIPER HI	OFF
FR WIPER LOW	OFF
FR WIPER INT	OFF
FR WASHER SW	OFF
INT VOLUME	7
FR WIPER STOP	ON
VEHICLE SPEED	0.0 km/h
PAGE DOWN	
RECORD	
MODE	BACK
LIGHT	COPY

WKIA1018E

ONLY FRONT WIPER INT DOES NOT OPERATE

Inspection Procedure

1. COMBINATION SWITCH TO BCM INSPECTION

Select "BCM" on CONSULT-II. With "WIPER" data monitor, check that "FR WIPER INT" turns ON-OFF according to operation of wiper switch.

OK or NG

- OK >> Replace the BCM. Refer to [BCS-20, "Removal and Installation of BCM"](#).
- NG >> Replace wiper switch. Refer to [WW-29, "Removal and Installation"](#).

DATA MONITOR	
MONITOR	
IGN ON SW	OFF
IGN SW CAN	ON
FR WIPER HI	OFF
FR WIPER LOW	OFF
FR WIPER INT	OFF
FR WASHER SW	OFF
INT VOLUME	7
FR WIPER STOP	ON
VEHICLE SPEED	0.0 km/h
PAGE DOWN	
RECORD	
MODE	BACK
LIGHT	COPY

WKIA1018E

FRONT WIPER AND WASHER SYSTEM

FRONT WIPER INTERMITTENT OPERATION SWITCH POSITION CANNOT BE ADJUSTED

Inspection Procedure

1. COMBINATION SWITCH TO BCM INSPECTION

Select "BCM" on CONSULT-II. With "WIPER" data monitor, check that "INT VOLUME" changes in order from 1 to 7 according to operation of the intermittent switch dial position.

OK or NG

- OK >> Replace the BCM. Refer to [BCS-20, "Removal and Installation of BCM"](#) .
- NG >> Replace wiper switch. Refer to [WW-29, "Removal and Installation"](#) .

DATA MONITOR			
MONITOR			
IGN ON SW		OFF	
IGN SW CAN		ON	
FR WIPER HI		OFF	
FR WIPER LOW		OFF	
FR WIPER INT		OFF	
FR WASHER SW		OFF	
INT VOLUME		7	
FR WIPER STOP		ON	
VEHICLE SPEED		0.0 km/h	
		PAGE DOWN	
		RECORD	
MODE	BACK	LIGHT	COPY

WKIA1018E

WIPERS DO NOT WIPE WHEN FRONT WASHER OPERATES

Inspection Procedure

1. COMBINATION SWITCH TO BCM INSPECTION

Select "BCM" on CONSULT-II. With "WIPER" data monitor, check that "FR WASHER SW" turns ON-OFF according to operation of front washer switch.

OK or NG

- OK >> Replace the BCM. Refer to [BCS-20, "Removal and Installation of BCM"](#) .
- NG >> Replace wiper switch. Refer to [WW-29, "Removal and Installation"](#) .

DATA MONITOR			
MONITOR			
IGN ON SW		OFF	
IGN SW CAN		ON	
FR WIPER HI		OFF	
FR WIPER LOW		OFF	
FR WIPER INT		OFF	
FR WASHER SW		OFF	
INT VOLUME		7	
FR WIPER STOP		ON	
VEHICLE SPEED		0.0 km/h	
		PAGE DOWN	
		RECORD	
MODE	BACK	LIGHT	COPY

WKIA1018E

FRONT WIPERS OPERATE FOR 10 SECONDS, STOP FOR 20 SECONDS, AND AFTER REPEATING THIS OPERATION FIVE TIMES, THEY BECOME INOPERATIVE

CAUTION:

- When auto stop signal has not varied for 10 seconds or longer while IPDM E/R is operating front wipers, IPDM E/R considers front wipers locked and stops wiper output, which causes this symptom.
- This status can be checked by using IPDM E/R "DATA MONITOR". Under this condition, "WIP PROT" reads "BLOCK".

Inspection Procedure

1. CHECK IPDM E/R TO FRONT WIPER MOTOR

With CONSULT-II

Select "IPDM E/R" with CONSULT-II. With data monitor, confirm that "WIP AUTO STOP" changes from "ACT P" to "STOP P" according to wiper operation.

Without CONSULT-II

GO TO 2.

OK or NG

- OK >> Replace IPDM E/R. Refer to [PG-28, "Removal and Installation of IPDM E/R"](#) .
- NG >> GO TO 2.

DATA MONITOR			
MONITOR			
MOTOR FAN REQ		1	
AC COMP REQ		OFF	
TAIL&CLR REQ		OFF	
HL LO REQ		OFF	
HL HI REQ		OFF	
FR FOG REQ		OFF	
FR WIP REQ		STOP	
WIP AUTO STOP		STOP P	
WIP PROT		OFF	
		Page DOWN	
		RECORD	
MODE	BACK	LIGHT	COPY

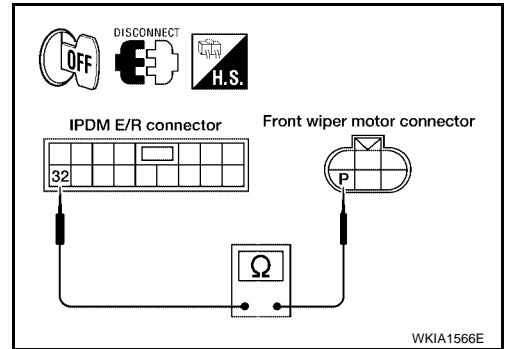
SKIA5301E

FRONT WIPER AND WASHER SYSTEM

2. IPDM E/R TO FRONT WIPER MOTOR CIRCUIT INSPECTION

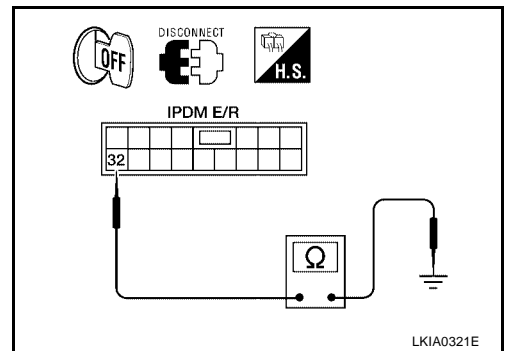
1. Turn ignition switch OFF.
2. Disconnect IPDM E/R connector and front wiper motor connector.
3. Check continuity between IPDM E/R connector terminal and front wiper motor connector terminal.

IPDM E/R		Front wiper motor		Continuity
Connector	Terminal	Connector	Terminal	
E122	32	E23	P	Yes



4. Check continuity between IPDM E/R connector terminal and ground.

IPDM E/R			Continuity
Connector	Terminal		
E122	32	Ground	No



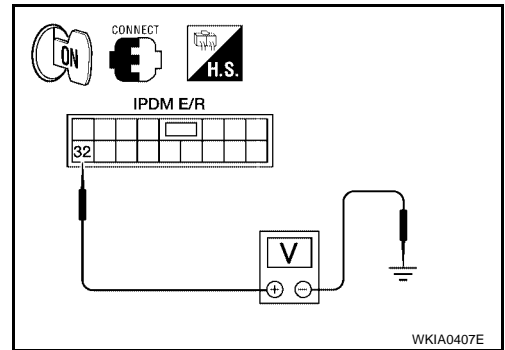
OK or NG

- OK >> Connect connectors. GO TO 3.
- NG >> Repair harness or connector.

3. IPDM E/R TO FRONT WIPER MOTOR STOP CIRCUIT INSPECTION

1. Turn ignition switch ON.
2. While front wiper motor is stopped and while operating, measure voltage between IPDM E/R terminal 32 and ground.

IPDM E/R		(-)	Condition	Voltage (Approx.)
(+) Connector				
Terminal				
E122	32	Ground	Wiper operating	Battery voltage
			Wiper stopped	0V



OK or NG

- OK >> Replace IPDM E/R. Refer to [PG-28, "Removal and Installation of IPDM E/R"](#).
- NG >> Replace front wiper motor. Refer to [WW-27, "Removal and Installation"](#).

FRONT WIPER AND WASHER SYSTEM

EKS008QS

Removal and Installation

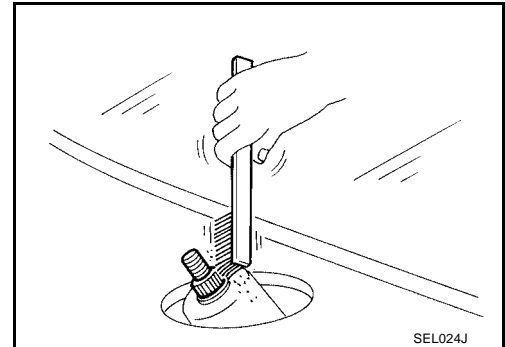
FRONT WIPER ARMS

Removal

1. Operate wiper motor one full cycle, then turn "off" (auto stop).
2. Remove the wiper arm caps and wiper arm nuts.
3. Remove wiper arms.

Installation

1. Prior to wiper arm installation, turn on wiper switch to operate wiper motor and then turn it "OFF" (auto stop).
2. Clean up the pivot area as illustrated. This will reduce possibility of wiper arm looseness.



3. Install wiper arms and wiper arm nuts, tighten to specified torque.

Front wiper arm nuts : 19.7 N-m (2.0 kg-m, 174 in-lb)

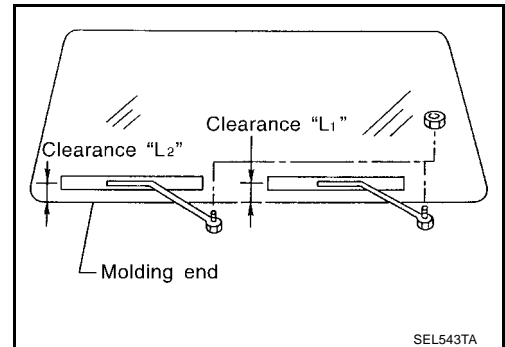
4. Install wiper arm covers, check and adjust clearance "L1" and "L2" as necessary to ensure proper blade overlap.

WIPER ARM ADJUSTMENT AFTER INSTALLATION

1. Operate wiper motor one full cycle, then turn "off" (auto stop).
2. Lift the blade up and then set it down onto glass surface to set the blade center to clearance "L1" and "L2" immediately before tightening nut.

Clearance "L1" : 24.5 - 39.5 mm (0.965 - 1.555 in)

Clearance "L2" : 32.5 - 47.5 mm (1.280 - 1.870 in)

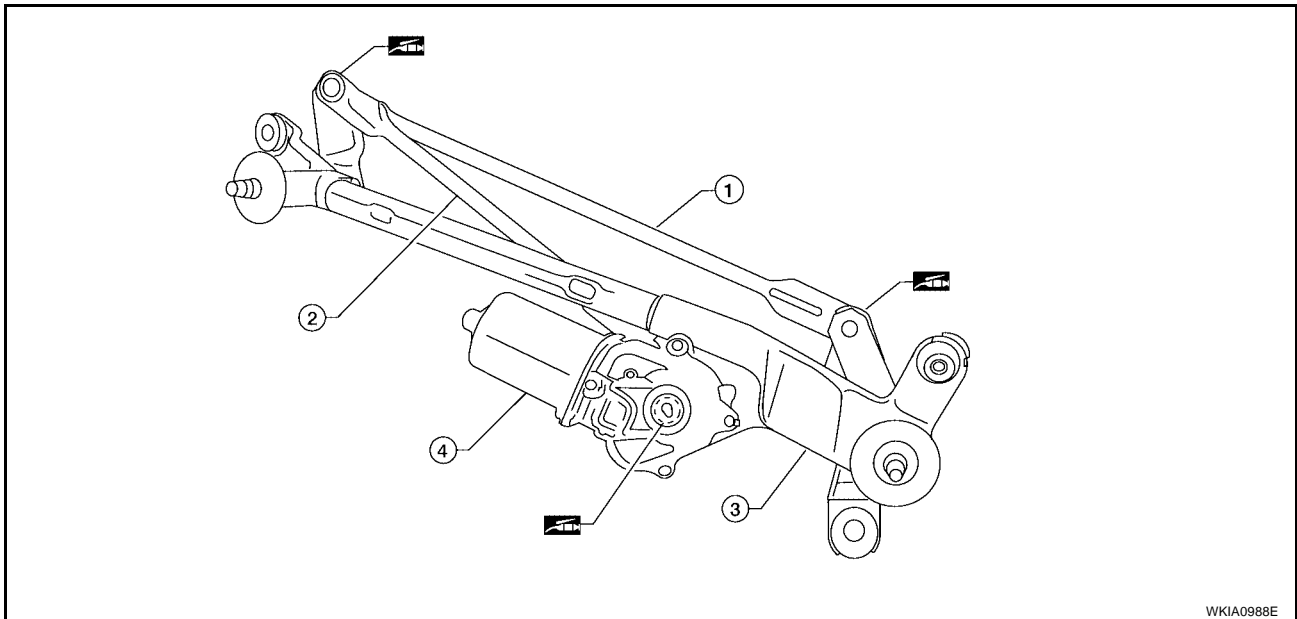


3. Eject washer fluid. Turn on wiper switch to operate wiper motor and then turn it "OFF".

FRONT WIPER AND WASHER SYSTEM

Removal and Installation WIPER MOTOR AND LINKAGE

EKS008QT



1. Wiper link
2. Wiper link
3. Wiper frame
4. Front wiper motor

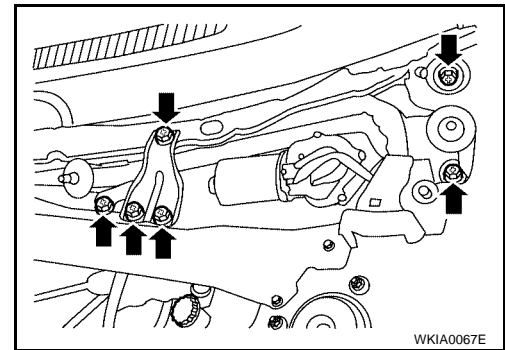
WKIA0988E

CAUTION:

- Do not drop the wiper motor or cause it to contact other parts.
- Check the grease conditions of the motor arm and wiper link joint(s). Apply grease if necessary.

REMOVAL

1. Operate the wiper motor and then turn it "OFF" (auto stop).
2. Remove wiper arms from the vehicle. Refer to [WW-26, "Removal and Installation"](#).
3. Remove the cowl top cover. Refer to [EI-19, "Removal and Installation"](#).
4. Disconnect wiper motor electrical connector.
5. Remove bracket and wiper frame, link and motor assembly.
6. Remove wiper motor from wiper frame and link assembly.



WKIA0067E

INSTALLATION

1. Connect wiper motor to connector. Turn the wiper switch ON to operate wiper motor, then turn the wiper switch OFF (auto stop).
2. Disconnect wiper motor electrical connector.
3. Install wiper motor to bracket and wiper frame and link assembly, and install assembly to the vehicle.

Wiper motor assembly bolts : 4.5 N-m (0.46 kg-m, 40 in-lb)

4. Connect wiper motor connector. Turn the wiper switch ON to operate the wiper motor, then turn wiper switch OFF (auto stop).
5. Install cowl top cover. Refer to [EI-19, "Removal and Installation"](#).
6. Install wiper arms. Refer to [WW-26, "Removal and Installation"](#).

A
B
C
D
E
F
G
H
I
J
L
M

WW

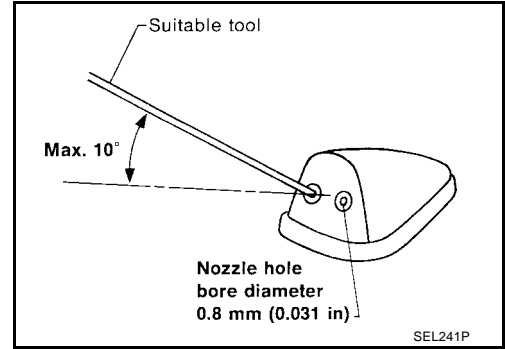
FRONT WIPER AND WASHER SYSTEM

EKS008QU

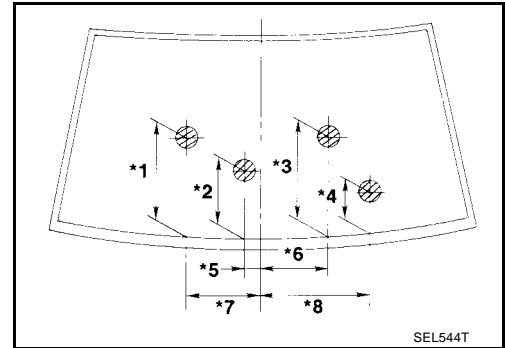
Washer Nozzle Adjustment

- Adjust washer nozzle with suitable tool as shown.

Adjustable range: $\pm 10^\circ$

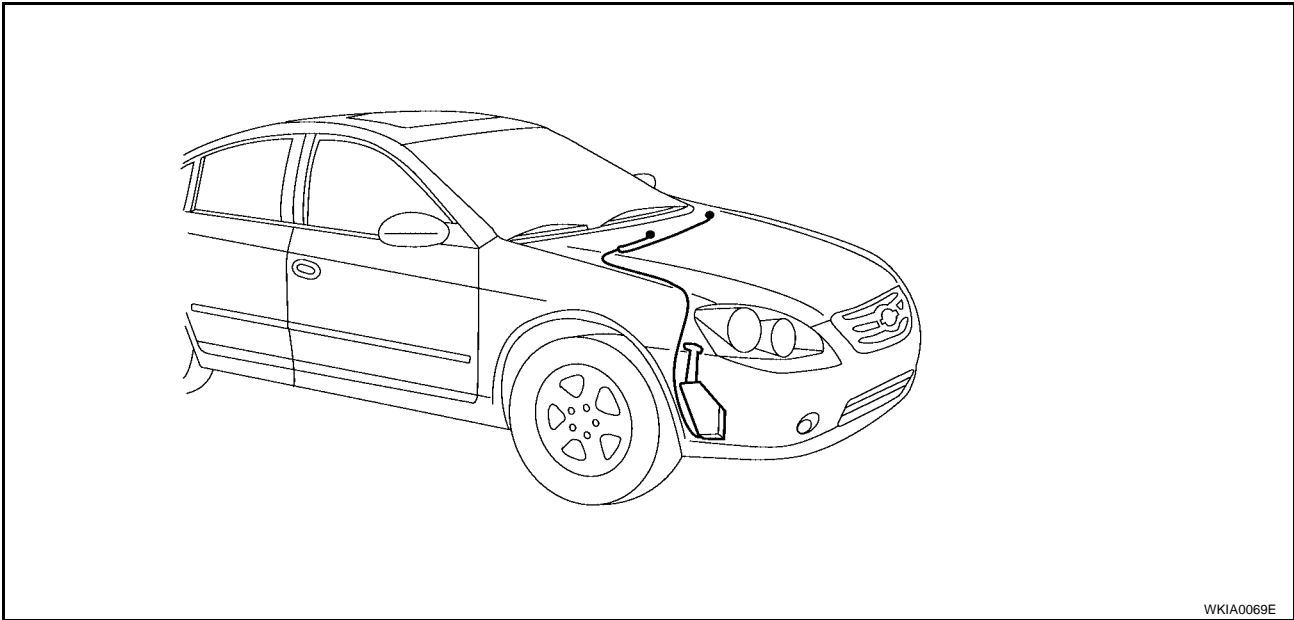


*1	350 mm (13.78 in)	*5	135 mm (5.31 in)
*2	190 mm (7.48 in)	*6	230 mm (9.06 in)
*3	320 mm (12.60 in)	*7	275 mm (10.83 in)
*4	135 mm (5.31 in)	*8	440 mm (17.32 in)



Washer Tube Layout

EKS008QV



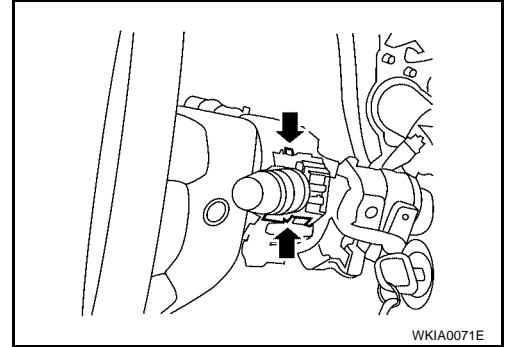
FRONT WIPER AND WASHER SYSTEM

Removal and Installation WIPER AND WASHER SWITCH

EKS008QW

Removal

1. Remove steering column cover. Refer to [IP-10, "INSTRUMENT PANEL ASSEMBLY"](#).
2. Remove wiper washer switch connector.
3. Pinch tabs at wiper and washer switch base and slide switch away from steering column to remove.



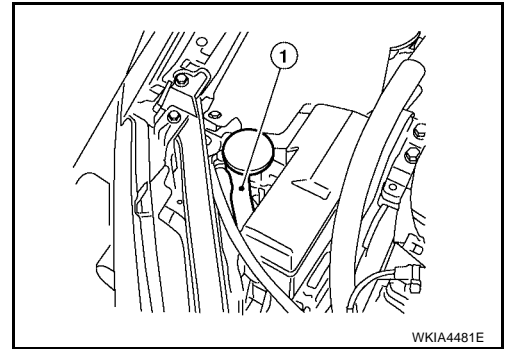
Installation

Installation is in the reverse order of removal.

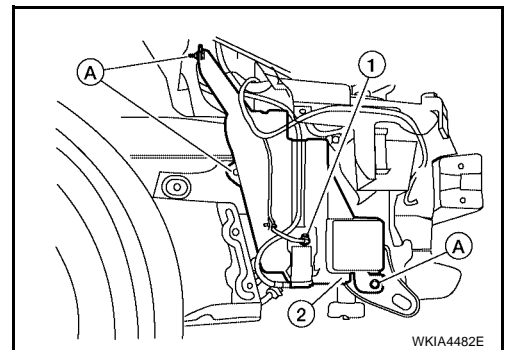
Removal and Installation WASHER FLUID RESERVOIR

EKS008QX

1. Pull out washer fluid reservoir inlet (1).



2. Remove fender protector. Refer to [EI-21, "Removal and Installation"](#).
3. Remove front washer motor connector (1) and washer fluid level sensor connector (2) (if equipped).
4. Remove washer fluid reservoir screws (A).



5. Remove washer hose and remove the washer fluid reservoir from the vehicle.

INSTALLATION

CAUTION:

After installation, add water up to the upper level of the washer fluid reservoir inlet and check for water leaks.

Installation is in the reverse order of removal.

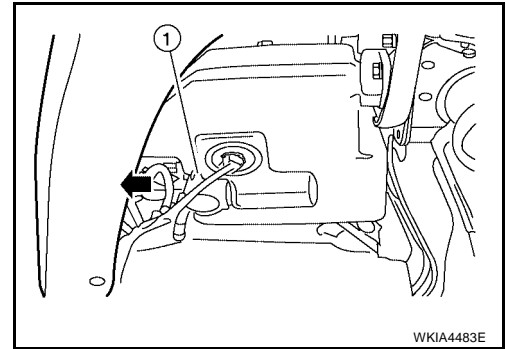
Removal and Installation of Washer Motor REMOVAL

EKS008QY

1. Remove fender protector. Refer to [EI-21, "Removal and Installation"](#).
2. Remove front washer motor connector and hose.

FRONT WIPER AND WASHER SYSTEM

3. Remove front washer motor (1) in the direction of the arrow as shown.



INSTALLATION

CAUTION:

When installing front washer motor, there should be no packing twists, etc.

Installation is in the reverse order of removal.

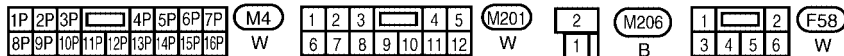
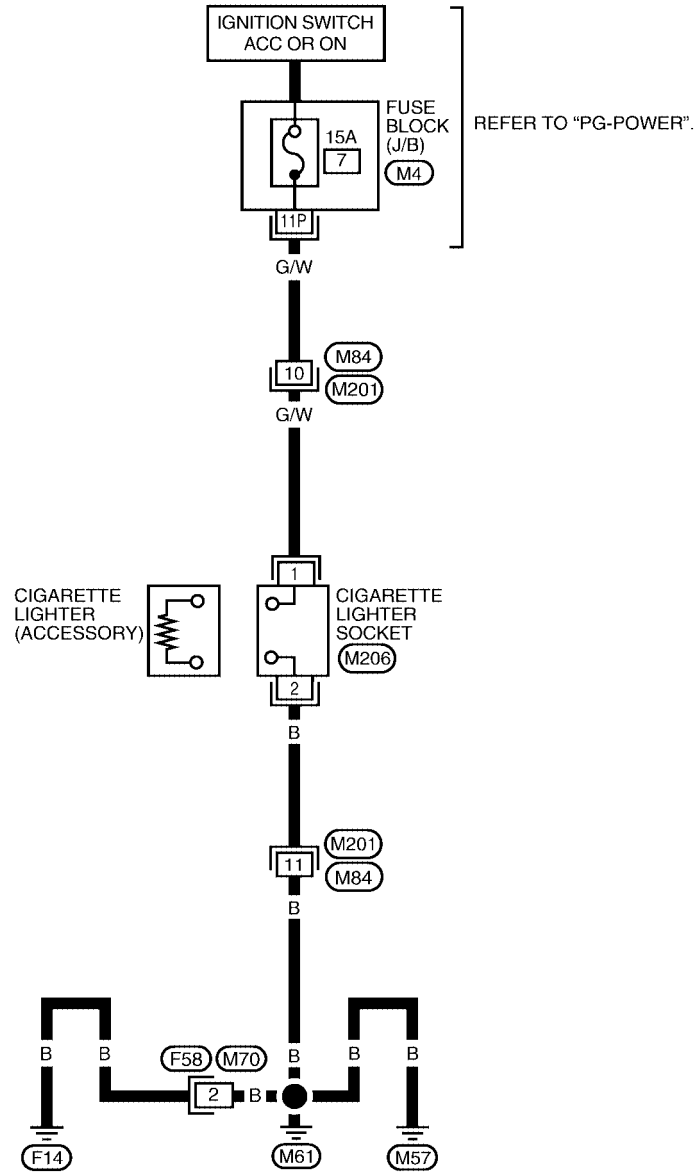
CIGARETTE LIGHTER

PF3:35330

CIGARETTE LIGHTER Wiring Diagram — CIGAR —

EKS008QZ

WW-CIGAR-01



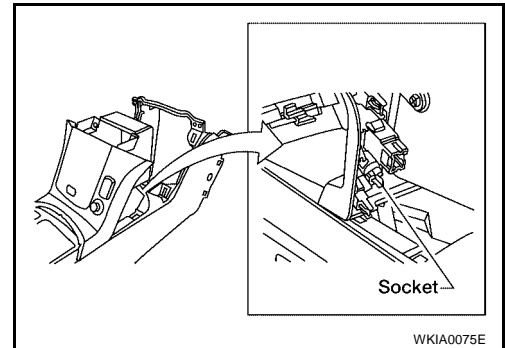
CIGARETTE LIGHTER

EKS008R0

Removal and Installation

REMOVAL

1. Remove the A/T finisher (A/T models) or M/T finisher (M/T models). Refer to [IP-14, "A/T FINISHER"](#) or [IP-14, "M/T FINISHER"](#).
2. Remove console box finisher. Refer to [IP-16, "DISASSEMBLY AND ASSEMBLY"](#).
3. Remove socket.
4. Press out ring from the back of console box finisher.



INSTALLATION

Installation is in the reverse order of removal.

POWER SOCKET

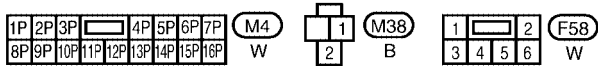
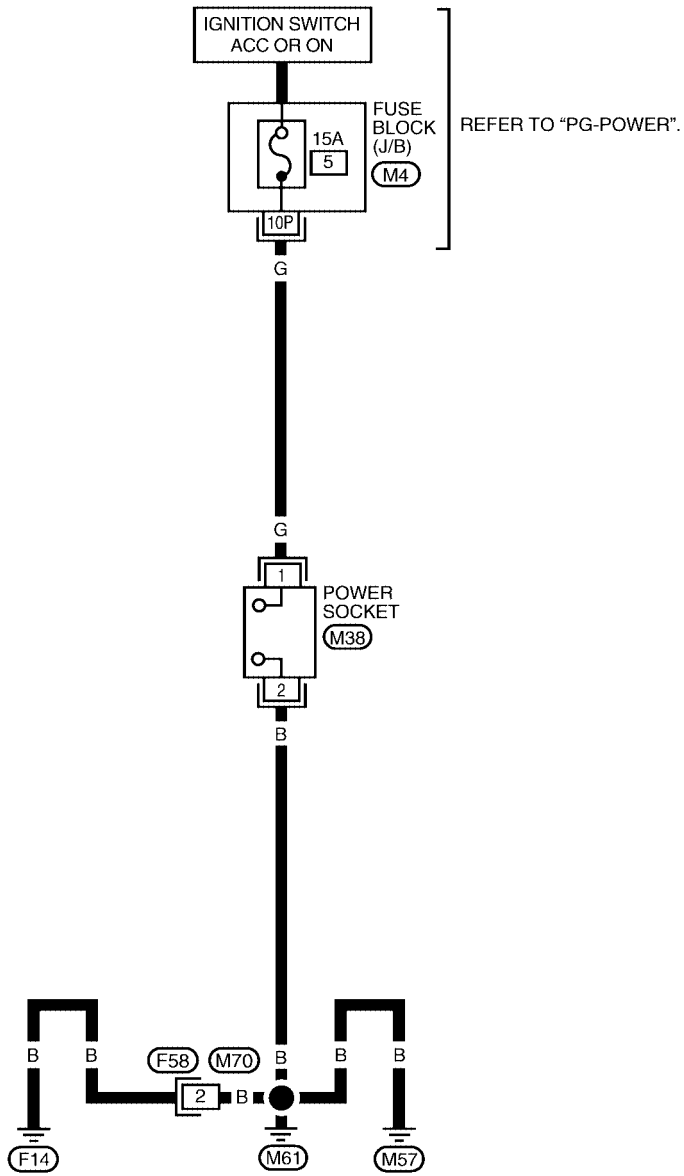
PF2:253A2

POWER SOCKET

Wiring Diagram — P/SCKT —

EKS008R1

WW-P/SCKT-01



A
B
C
D
E
F
G
H
I
J
WW
L
M

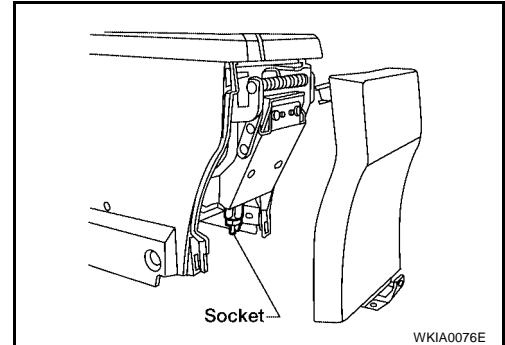
POWER SOCKET

EKS008R2

Removal and Installation

REMOVAL

1. Remove the console finisher. Refer to [IP-16, "DISASSEMBLY AND ASSEMBLY"](#) .
2. Disconnect power socket connector.



3. Remove socket from the console.

INSTALLATION

Installation is in the reverse order of removal.

HORN

PF:25610

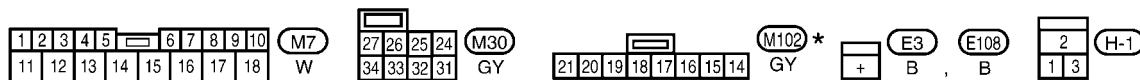
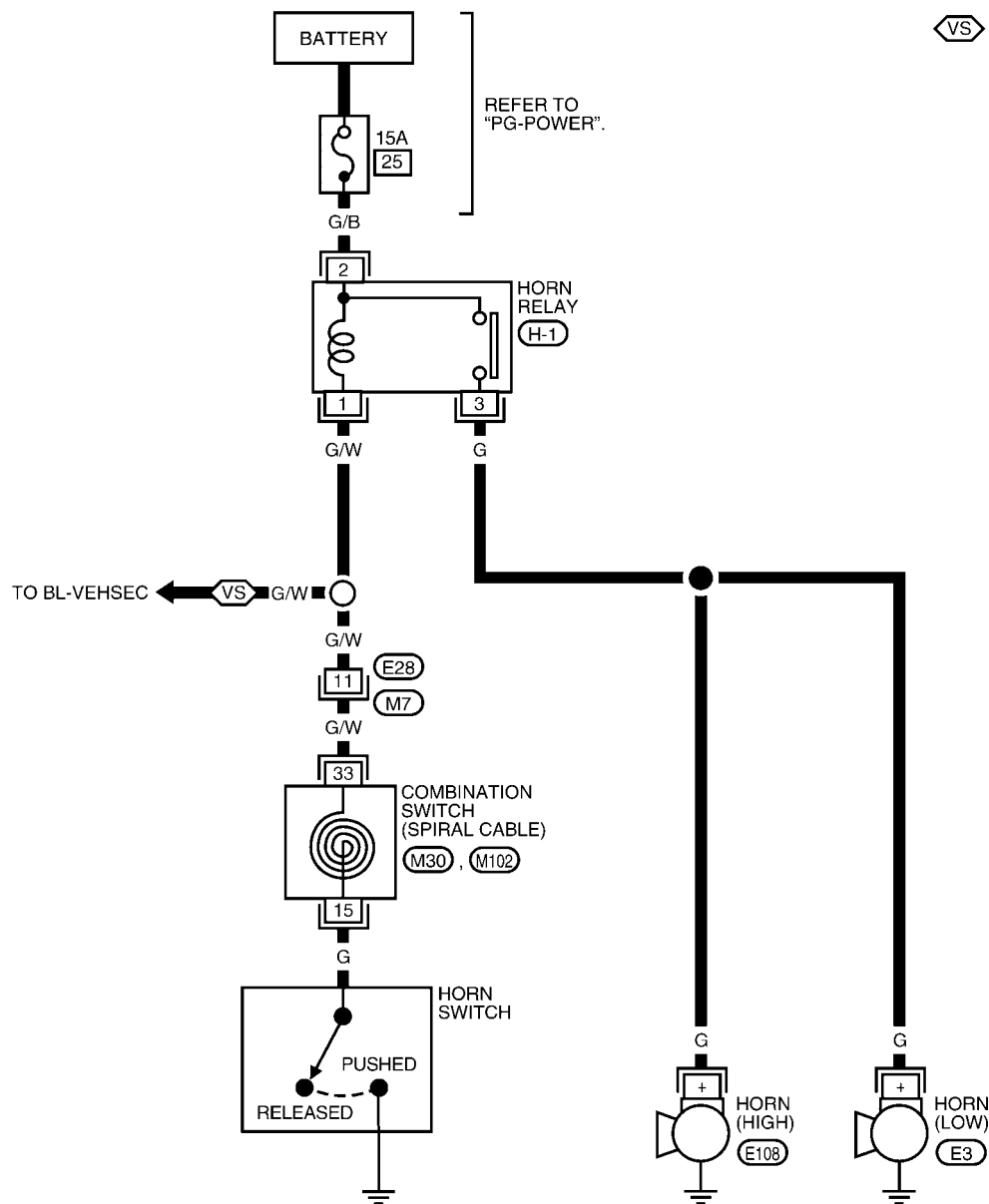
HORN

Wiring Diagram — HORN —

EKS008R3

WW-HORN-01

 : WITH VEHICLE SECURITY SYSTEM



*: THIS CONNECTOR IS NOT SHOWN IN "HARNESS LAYOUT" OF PG SECTION.

WKWA3532E

HORN

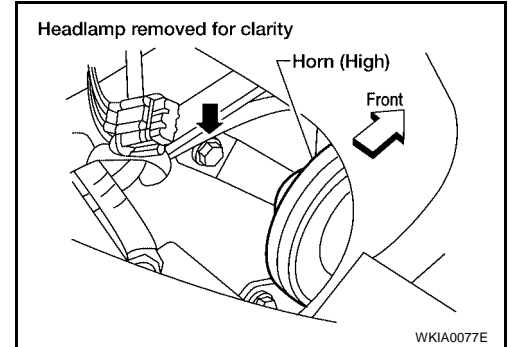
EKS008R4

Removal and Installation

HORN HIGH

Removal

1. Remove right headlamp. Refer to [LT-29, "Removal and Installation"](#) .
2. Disconnect horn connector.
3. Remove horn bolt, then remove the horn.



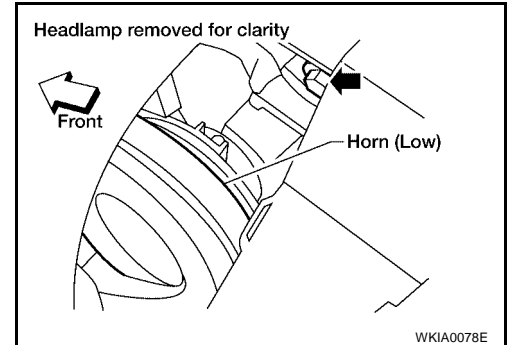
Installation

Installation is in the reverse order of removal.

HORN LOW

Removal

1. Remove left headlamp. Refer to [LT-29, "Removal and Installation"](#) .
2. Disconnect horn connector.
3. Remove horn bolt, then remove the horn.



Installation

Installation is in the reverse order of removal.