

SECTION **FAX**
FRONT AXLE

A
B
C

FAX

CONTENTS

E

SYMPTOM DIAGNOSIS	2	Inspection	6	F
NOISE, VIBRATION, AND HARSHNESS (NVH) TROUBLESHOOTING	2	ON-VEHICLE REPAIR	7	
NVH Troubleshooting Chart	2	FRONT WHEEL HUB AND KNUCKLE	7	G
PRECAUTION	3	Removal and Installation	7	
PRECAUTIONS	3	FRONT DRIVE SHAFT	9	H
Precaution for Supplemental Restraint System (SRS) "AIR BAG" and "SEAT BELT PRE-TENSIONER"	3	Removal and Installation (Left Side)	9	
Service Notice or Precautions	3	Removal and Installation (Right Side)	10	
PREPARATION	4	DISASSEMBLY AND ASSEMBLY	13	I
PREPARATION	4	FRONT DRIVE SHAFT	13	J
Special Service Tool	4	Disassembly and Assembly (Left Side)	13	
Commercial Service Tool	4	Disassembly and Assembly (Right Side)	18	
ON-VEHICLE MAINTENANCE	5	SERVICE DATA AND SPECIFICATIONS (SDS)	24	K
FRONT WHEEL HUB	5	SERVICE DATA AND SPECIFICATIONS (SDS)	24	L
Inspection	5	Wheel Bearing	24	
FRONT DRIVE SHAFT	6	Drive Shaft	24	
		Dynamic Damper	24	M

N
O
P

NOISE, VIBRATION, AND HARSHNESS (NVH) TROUBLESHOOTING

< SYMPTOM DIAGNOSIS >

SYMPTOM DIAGNOSIS

NOISE, VIBRATION, AND HARSHNESS (NVH) TROUBLESHOOTING

NVH Troubleshooting Chart

INFOID:000000001342925

Use chart below to help you find the cause of the symptom. If necessary, repair or replace these parts.

Symptom		Possible cause and SUSPECTED PARTS											Reference page			
		Excessive joint angle	Joint sliding resistance	Imbalance	Improper installation, looseness	Parts interference	Wheel bearing damage	SUSPENSION	FRONT AXLE	TIRES	ROAD WHEEL	DRIVE SHAFT	BRAKES	STEERING		
DRIVE SHAFT	Noise	x	x						x	x	x	x		x	x	— FAX-13 , FAX-18 FAX-6 FAX-9 , FAX-10 — FAX-5 FSU-2 , " NVH Troubleshooting Chart " Refer to FRONT AXLE in this chart. WT-32 , " NVH Troubleshooting Chart " WT-32 , " NVH Troubleshooting Chart " Refer to DRIVE SHAFT in this chart. BR-3 , " NVH Troubleshooting Chart " ST-3 , " NVH Troubleshooting Chart "
	Shake	x		x				x	x	x	x		x	x		
FRONT AXLE	Noise				x	x		x		x	x	x	x	x	x	
	Shake				x	x		x		x	x	x	x	x	x	
	Vibration				x	x		x		x		x		x		
	Shimmy				x	x		x		x	x		x	x		
	Shudder				x			x		x	x		x	x		
	Poor quality ride or handling				x	x	x	x		x	x					

x: Applicable

PRECAUTIONS

< PRECAUTION >

PRECAUTION

PRECAUTIONS

Precaution for Supplemental Restraint System (SRS) "AIR BAG" and "SEAT BELT PRE-TENSIONER"

INFOID:000000001342926

The Supplemental Restraint System such as "AIR BAG" and "SEAT BELT PRE-TENSIONER", used along with a front seat belt, helps to reduce the risk or severity of injury to the driver and front passenger for certain types of collision. This system includes seat belt switch inputs and dual stage front air bag modules. The SRS system uses the seat belt switches to determine the front air bag deployment, and may only deploy one front air bag, depending on the severity of a collision and whether the front occupants are belted or unbelted. Information necessary to service the system safely is included in the SR and SB section of this Service Manual.

WARNING:

- To avoid rendering the SRS inoperative, which could increase the risk of personal injury or death in the event of a collision which would result in air bag inflation, all maintenance must be performed by an authorized NISSAN/INFINITI dealer.
- Improper maintenance, including incorrect removal and installation of the SRS, can lead to personal injury caused by unintentional activation of the system. For removal of Spiral Cable and Air Bag Module, see the SR section.
- Do not use electrical test equipment on any circuit related to the SRS unless instructed to in this Service Manual. SRS wiring harnesses can be identified by yellow and/or orange harnesses or harness connectors.

Service Notice or Precautions

INFOID:000000001342927

Observe the following precautions when disassembling and assembling drive shaft.

- Joint sub-assembly does not disassemble because it is non-overhaul parts.
- Perform work in a location which is as dust-free as possible.
- Before disassembling and assembling, clean the outside of parts.
- Prevention of the entry of foreign objects must be taken into account during disassembly of the service location.
- Disassembled parts must be carefully reassembled in the correct order. If work is interrupted, a clean cover must be placed over parts.
- Paper shop cloths must be used. Fabric shop cloths must not be used because of the danger of lint adhering to parts.
- Disassembled parts (except for rubber parts) should be cleaned with kerosene which shall be removed by blowing with air or wiping with paper shop cloths.

PREPARATION

< PREPARATION >

PREPARATION

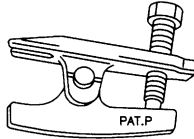
PREPARATION

Special Service Tool

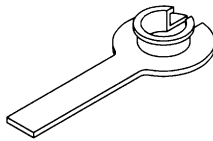
INFOID:000000001342928

The actual shapes of Kent-Moore tools may differ from those of special service tools illustrated here.

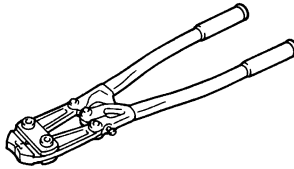
Tool number (Kent-Moore No.) Tool name	Description
HT72520000 (J-25730-A) Ball joint remover	Removing outer tie-rod
KV38106700 (J-34296) KV38106800 (J-34297) Differential side oil seal protector	Installing drive shaft LH: KV38106700 (J-34296) RH: KV38106800 (J-34297)
KV40107300 (—) Boot Band crimping tool	Installing boot bands



NT146



NT147

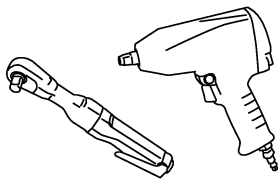


ZZA1229D

Commercial Service Tool

INFOID:000000001342929

Tool name	Description
Power tool	Removing nuts and bolts



PBIC0190E

FRONT WHEEL HUB

< ON-VEHICLE MAINTENANCE >

ON-VEHICLE MAINTENANCE

FRONT WHEEL HUB

Inspection

INFOID:000000001342930

- Move wheel hub and bearing assembly in the axial direction by hand. Make sure there is no looseness of wheel bearing.

Axial end play : 0.05 mm (0.002 in) or less

- Rotate wheel hub and make sure that is no unusual noise or other irregular conditions. If there is any of irregular conditions, replace wheel hub and bearing assembly

A

B

C

FAX

E

F

G

H

I

J

K

L

M

N

O

P

FRONT DRIVE SHAFT

< ON-VEHICLE MAINTENANCE >

FRONT DRIVE SHAFT

Inspection

INFOID:000000001342931

- Check drive shaft mounting point and joint for looseness and other damage.
- Check boot for cracks and other damage.

CAUTION:

Replace entire drive shaft assembly when noise or vibration occur from drive shaft.

FRONT WHEEL HUB AND KNUCKLE

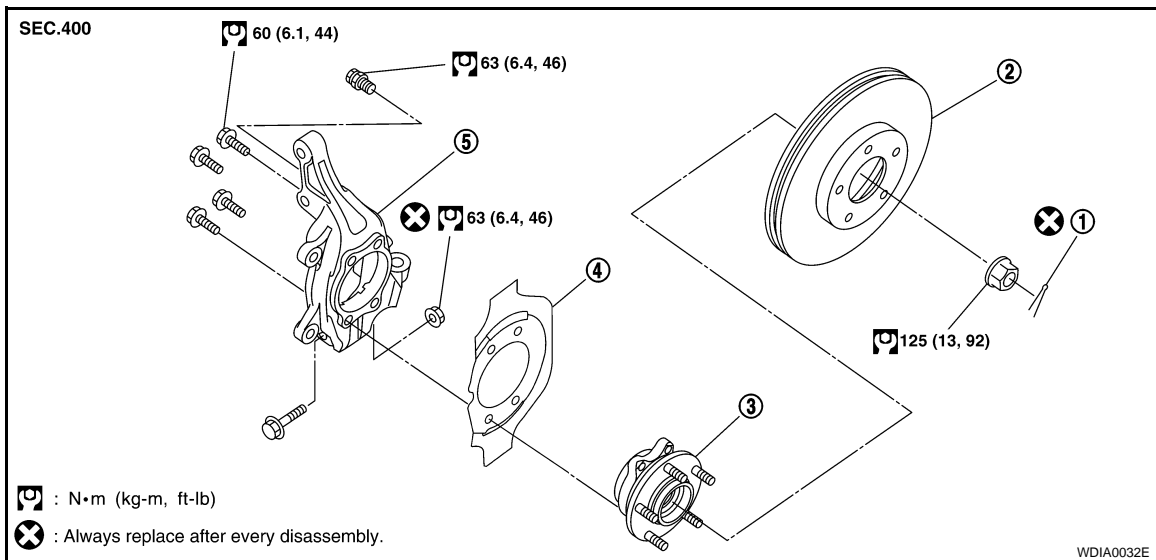
< ON-VEHICLE REPAIR >

ON-VEHICLE REPAIR

FRONT WHEEL HUB AND KNUCKLE

Removal and Installation

INFOID:000000001342932



- 1. Cotter pin
- 2. Disc rotor
- 3. Wheel hub and bearing assembly
- 4. Splash guard
- 5. Steering knuckle

REMOVAL

1. Remove wheel and tire from vehicle using power tool.
2. Without disassembling the hydraulic lines, remove brake caliper using power tool. Reposition it aside with wire. Refer to [BR-27, "Removal and Installation \(Rotor\)"](#).

NOTE:

Avoid depressing brake pedal while brake caliper is removed.

3. Put alignment marks on disc rotor and wheel hub and bearing assembly, then remove disc rotor.
4. Remove wheel sensor from steering knuckle. Refer to [BRC-235, "Removal and Installation"](#).

CAUTION:

Do not pull on wheel sensor harness.

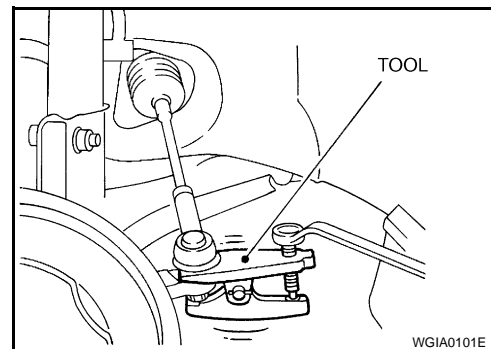
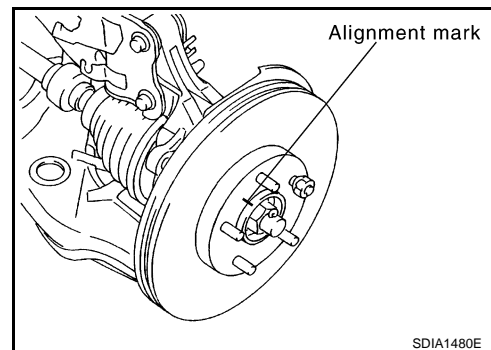
5. Remove cotter pin, then remove lock nut from drive shaft using power tool.
6. Remove steering outer tie-rod cotter pin at steering knuckle, then loosen nut using power tool. Refer to [ST-17, "Removal and Installation"](#).

7. Disconnect the outer tie-rod end from steering knuckle using Tool. Be careful not to damage ball joint boot.

CAUTION:

To prevent damage to threads and to prevent Tool from coming off suddenly, temporarily tighten mounting nut.

Tool number : HT72520000 (J-25730-A)



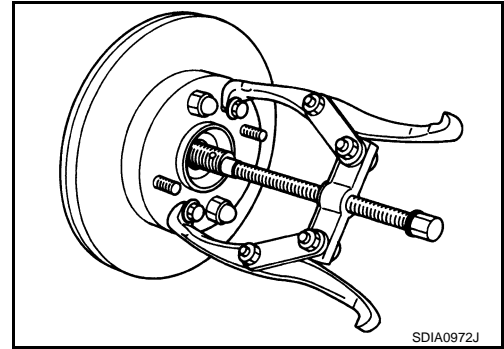
FRONT WHEEL HUB AND KNUCKLE

< ON-VEHICLE REPAIR >

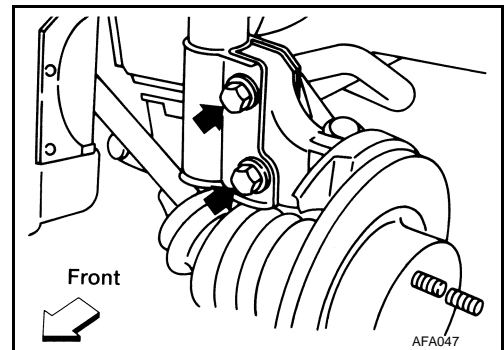
8. Remove transverse link and steering knuckle pinch bolt and nut using power tool. Refer to [FSU-11. "Exploded View"](#).
9. Remove wheel hub and bearing assembly from drive shaft using a puller or suitable tool.

CAUTION:

- When removing wheel hub and bearing assembly, do not apply an excessive angle to drive shaft joint. Also be careful not to excessively extend slide joint.
- Support drive shaft when removing.



10. Remove wheel hub and bearing assembly bolts using power tool.
11. Remove splash guard and wheel hub and bearing assembly from steering knuckle.
12. Remove the lower strut bolts and nuts using power tool. Refer to [FSU-11. "Exploded View"](#).
13. Remove steering knuckle from vehicle.



INSPECTION AFTER REMOVAL

Check for deformity, cracks and damage on each part, replace if necessary.

Ball Joint Inspection

- Check for boot breakage, axial looseness, and torque of transverse link ball joint and repair as necessary.

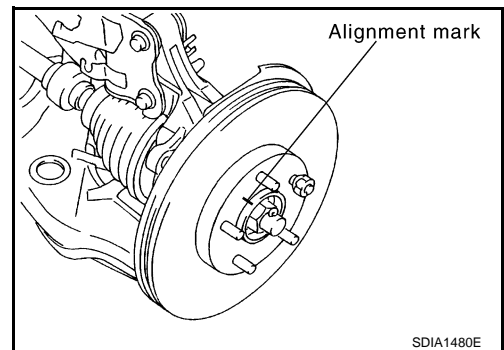
INSTALLATION

Installation is in the reverse order of removal.

CAUTION:

Do not reuse non-reusable parts.

- When installing wheel hub and bearing assembly to steering knuckle, align cutout in toner ring cover with wheel sensor mounting hole in steering knuckle.
- When installing disc rotor on wheel hub and bearing assembly, align the marks.
(When not using the alignment mark, refer to [BR-6. "DISC ROTOR : Inspection"](#).)



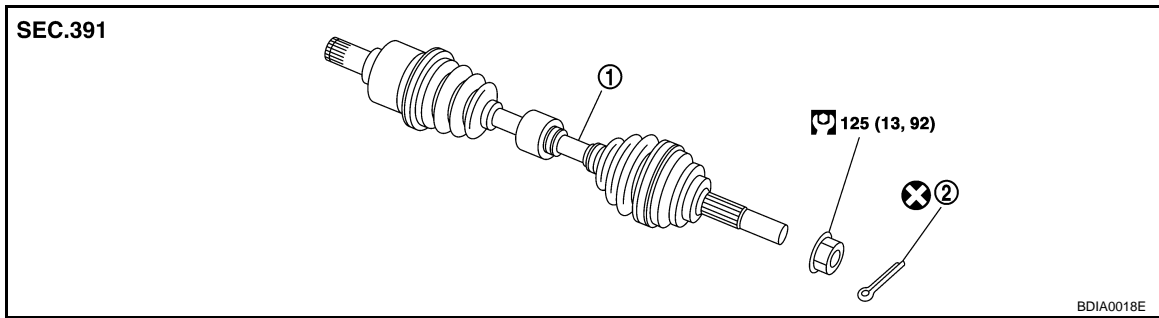
FRONT DRIVE SHAFT

< ON-VEHICLE REPAIR >

FRONT DRIVE SHAFT

Removal and Installation (Left Side)

INFOID:000000001342933



1. Drive shaft

2. Cotter pin

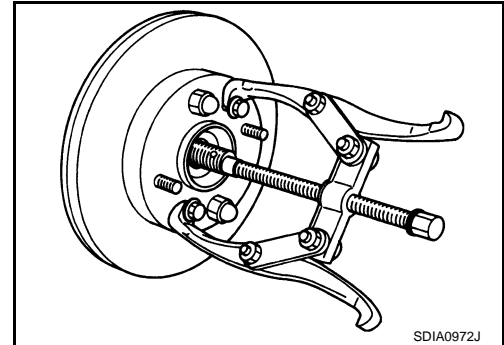


REMOVAL

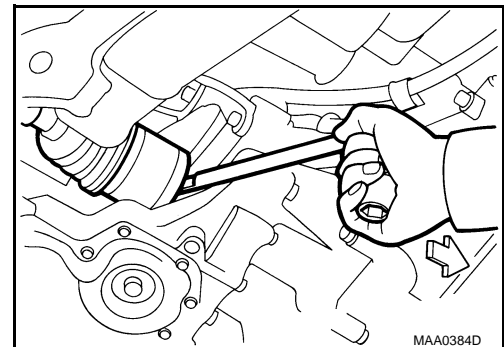
1. Remove wheel and tire using power tool.
2. Remove wheel sensor from steering knuckle. Refer to [BRC-235, "Removal and Installation"](#).
3. Remove cotter pin. Then remove lock nut from drive shaft.
4. Remove brake hose lock plate. Then remove brake hose from strut.
5. Remove the lower ball joint pinch bolt using power tool, then separate lower ball joint from steering knuckle. Refer to [FSU-11, "Exploded View"](#).
6. Remove drive shaft from wheel hub and bearing assembly, using a puller or suitable tool.

CAUTION:

- When removing drive shaft, do not apply an excessive angle to drive shaft joint. Also be careful not to excessively extend slide joint.



7. Remove drive shaft from transaxle using suitable tool.



INSPECTION AFTER REMOVAL

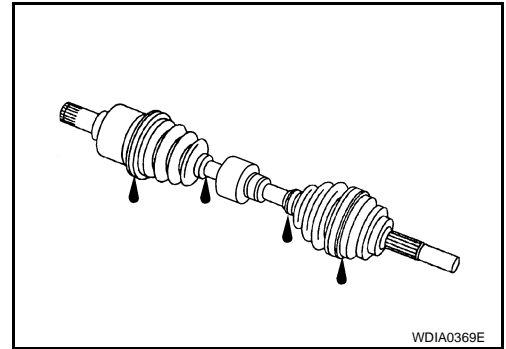
- Move joint up/down, left/right, and in axial direction. Check for any rough movement or significant looseness.

A
B
C
FAX
E
F
G
H
I
J
K
L
M
N
O
P

FRONT DRIVE SHAFT

< ON-VEHICLE REPAIR >

- Check boot for cracks or other damage, and for grease leakage.
- If damaged, disassemble drive shaft to verify damage, and repair or replace as necessary.



INSTALLATION

Installation is in the reverse order of removal. Note the following:

CAUTION:

Do not reuse non-reusable parts.

- In order to prevent damage to differential side oil seal, place Tool "A" onto oil seal before inserting drive shaft as shown. Slide drive shaft into slide joint and tap with a hammer to install securely.

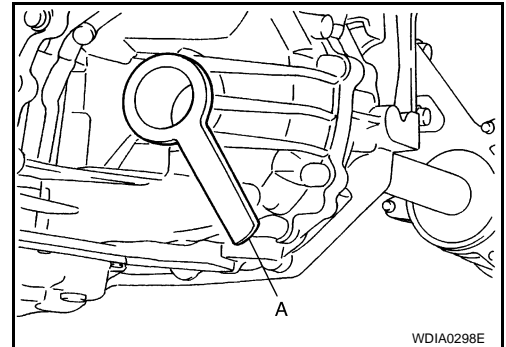
Tool number : KV38106700 (J-34296)

- Install new circlip on drive shaft in the circular clip groove on transaxle side. Refer to [FAX-13, "Disassembly and Assembly \(Left Side\)"](#).

CAUTION:

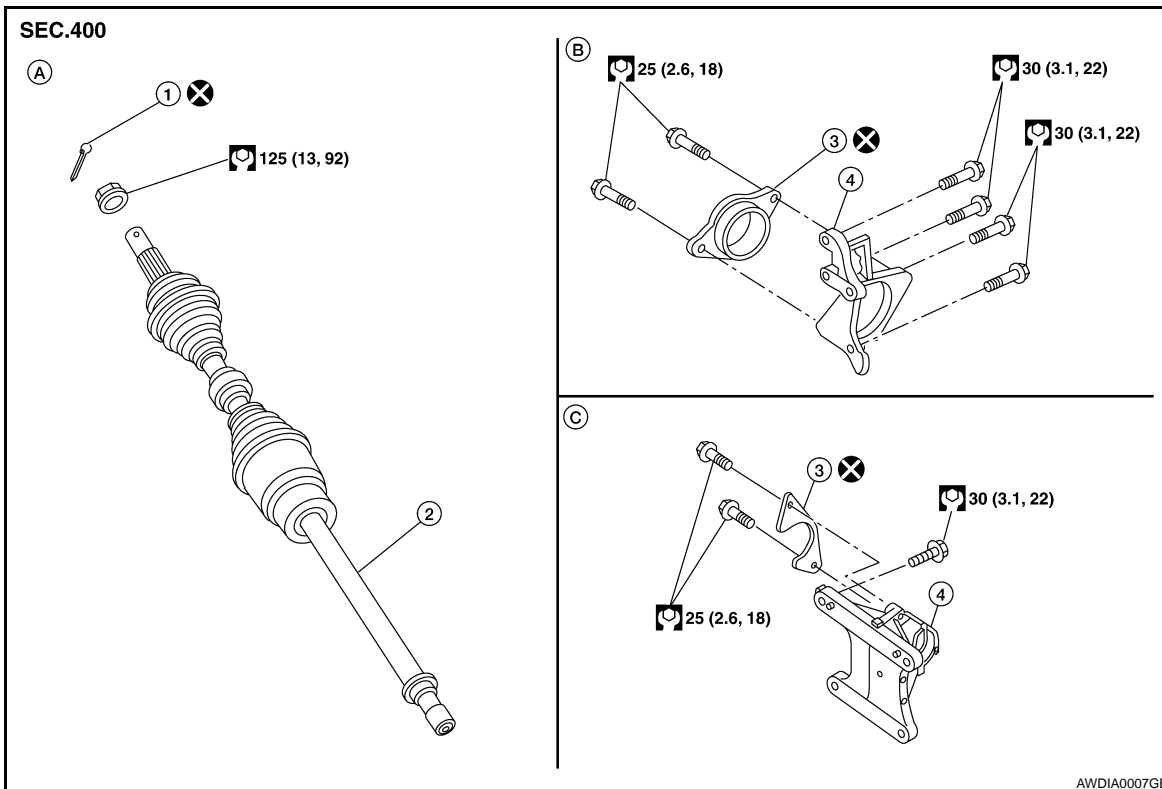
Make sure the new circlip on the drive shaft is securely fastened.

- After its insertion, try to pull the flange out of the slide joint by hand. If it pulls out, the circlip is not properly meshed with the transaxle side gear.



Removal and Installation (Right Side)

INFOID:000000001342934



FRONT DRIVE SHAFT

< ON-VEHICLE REPAIR >

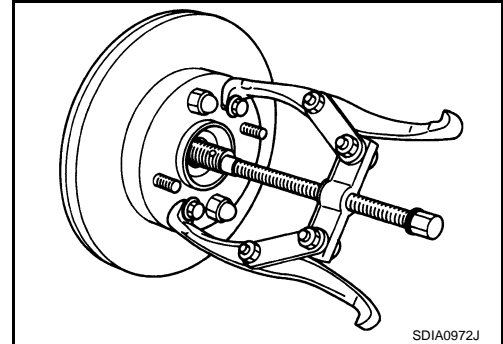
1. Cotter pin
2. Drive shaft
3. Plate
4. Support bearing bracket

REMOVAL

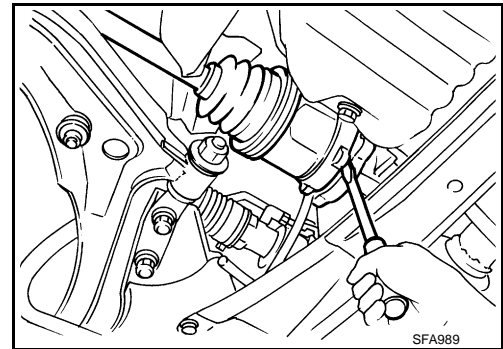
1. Remove wheel and tire using power tool.
2. Remove wheel sensor from steering knuckle. Refer to [BRC-235. "Removal and Installation"](#).
3. Remove cotter pin. Then remove lock nut from drive shaft using power tool.
4. Remove brake hose lock plate. Then remove brake hose from strut.
5. Remove the lower ball joint pinch bolt using power tool, then separate lower ball joint from steering knuckle. Refer to [FSU-11. "Exploded View"](#).
6. Remove drive shaft from wheel hub and bearing assembly, using a puller or suitable tool.

CAUTION:

- When removing drive shaft, do not apply an excessive angle to drive shaft joint. Also be careful not to excessively extend slide joint.

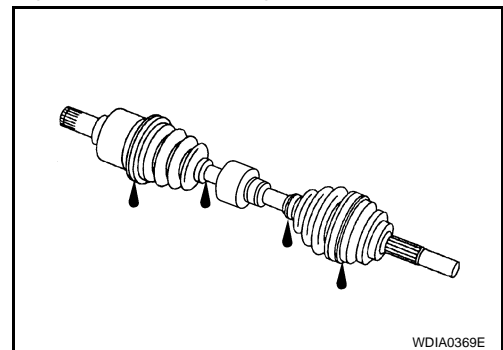


7. Remove support bearing bolts using power tool, and pry drive shaft from transaxle.
 - Pry off drive shaft from transaxle.



INSPECTION AFTER REMOVAL

- Move joint up/down, left/right, and in axial direction. Check for any rough movement or significant looseness.
- Check boot for cracks or other damage, and for grease leakage.
- If damaged, disassemble drive shaft to verify damage, and repair or replace as necessary.



INSTALLATION

Installation is in the reverse order of removal. Note the following:

CAUTION:

Do not reuse non-reusable parts.

A

B

C

FAX

E

F

G

H

I

J

K

L

M

N

O

P

FRONT DRIVE SHAFT

< ON-VEHICLE REPAIR >

- In order to prevent damage to differential side oil seal, place Tool "A" onto oil seal before inserting drive shaft as shown. Slide drive shaft into slide joint and tap with a hammer to install securely.

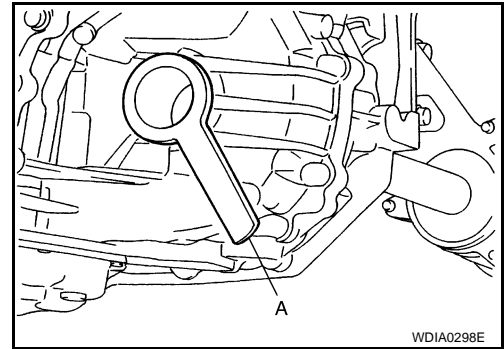
Tool number : KV38106800 (J-34297)

- Install new circlip on drive shaft in the circular clip groove on transaxle side. Refer to [FAX-13. "Disassembly and Assembly \(Left Side\)"](#).

CAUTION:

Make sure the new circlip on the drive shaft is securely fastened.

- After its insertion, try to pull the flange out of the slide joint by hand. If it pulls out, the circlip is not properly meshed with the transaxle side gear.



FRONT DRIVE SHAFT

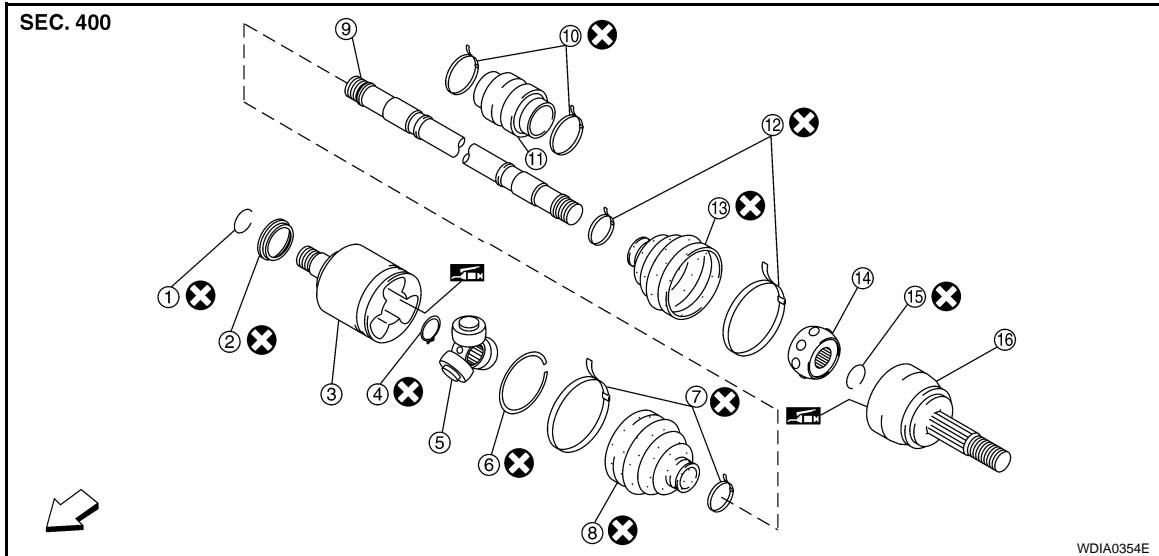
< DISASSEMBLY AND ASSEMBLY >

DISASSEMBLY AND ASSEMBLY

FRONT DRIVE SHAFT

Disassembly and Assembly (Left Side)

INFOID:000000001342935



- | | | |
|------------------------|--|------------------------|
| 1. Circlip | 2. Dust shield | 3. Slide joint housing |
| 4. Snap ring | 5. Spider assembly | 6. Stopper ring |
| 7. Boot band | 8. Boot | 9. Shaft |
| 10. Damper band | 11. Damper | 12. Boot band |
| 13. Boot | 14. Ball cage / Steel ball / Inner race assembly | 15. Circlip |
| 16. Joint sub-assembly | ⇐: Front | |

DISASSEMBLY

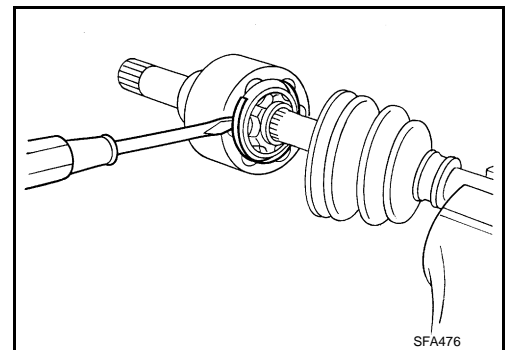
Transaxle Side

1. Mount front drive shaft in a vise.

CAUTION:

When mounting shaft in a vise, always use copper or aluminum plates between vise and shaft.

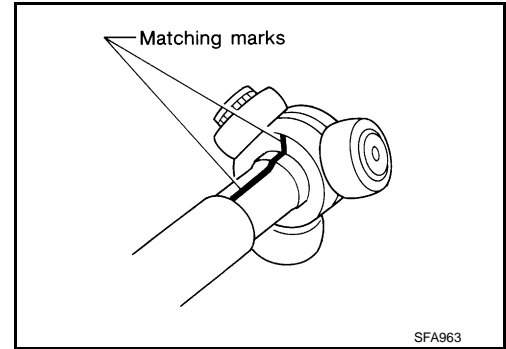
2. Remove boot bands and slide the boot back.
3. Remove circlip and dust shield from slide joint housing.
4. Put matching marks on slide joint housing and shaft before separating joint assembly.
5. Remove stopper ring with a suitable tool, then pull out slide joint housing.



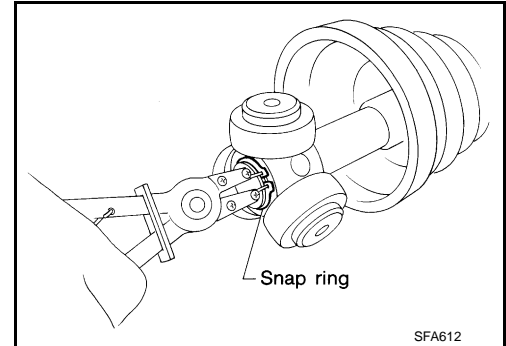
FRONT DRIVE SHAFT

< DISASSEMBLY AND ASSEMBLY >

- Put matching marks on spider assembly and shaft.



- Remove snap ring using a suitable tool, then remove spider assembly from shaft.
- Remove boot from shaft.
- Clean the old grease off of the slide joint assembly.



Wheel Side

- Mount the front drive shaft in a vise.

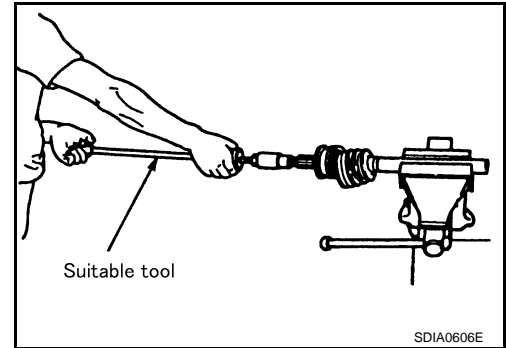
CAUTION:

When mounting shaft in a vise, always use copper or aluminum plates between vise and shaft.

- Remove boot bands and slide the boot back.
- Screw a sliding hammer or suitable tool 30 mm (1.18 in) or more into threaded part of joint sub-assembly. Pull joint sub-assembly out of shaft.

CAUTION:

- Align sliding hammer or suitable tool and drive shaft then remove joint sub-assembly by pulling directly.
- If joint sub-assembly cannot be removed after five or more unsuccessful attempts, replace the entire drive shaft assembly.



- Remove boot from shaft.
- Remove circlip from shaft.
- While rotating ball cage, clean the old grease off of the joint sub-assembly.

Damper

- Remove damper bands, then remove damper from shaft.

INSPECTION AFTER DISASSEMBLY

Shaft

- Replace shaft if there is bending, cracking, or other damage.

Joint Sub-Assembly

- Make sure there is no rough rotation or unusual axial looseness.
- Make sure there is no foreign material inside joint sub-assembly.
- Check joint sub-assembly for compression scars, cracks or fractures.

CAUTION:

If there are any irregular conditions of joint sub-assembly components, replace the entire joint sub-assembly.

FRONT DRIVE SHAFT

< DISASSEMBLY AND ASSEMBLY >

Slide Joint Housing

- Make sure there are no compression scars, cracks or fractures or unusual wear of ball rolling surface.
- Make sure there is no damage to shaft screws.
- Make sure there is no deformation of boot installation parts.

Ball Cage

- Make sure there are no compression scars, cracks, fractures of sliding surface.

Steel Ball

- Make sure there are no compression scars, cracks, fractures or unusual wear.

Inner Race

- Check ball sliding surface for compression scars, cracks or fractures.
- Make sure there is no damage to serrated part.

CAUTION:

If there are any irregular conditions in the component, replace with a new set of joint sub-assembly, ball cage, steel ball and inner race.

Damper

- Check damper for cracks or wear. Install damper with new damper bands.

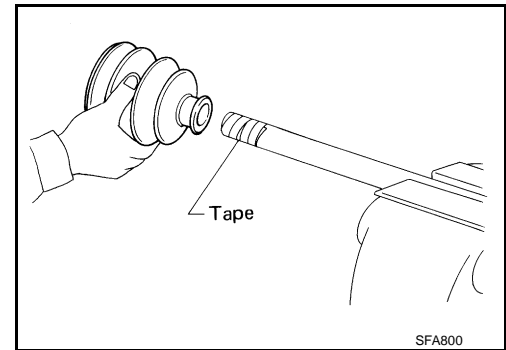
ASSEMBLY

Transaxle Side

1. Install new boot and new small boot band on shaft.

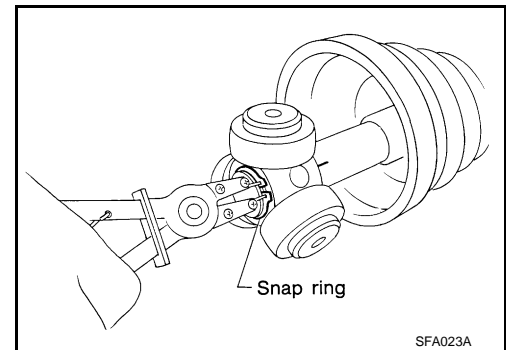
CAUTION:

- **Cover drive shaft serration with tape to prevent damage to boot during installation.**
2. Remove protective tape wound around serrated part of shaft.



3. Install spider assembly securely, making sure the matching marks which were made during disassembly are properly aligned.
4. Install new snap ring using a suitable tool.
5. Pack drive shaft with specified amount of new grease (Genuine NISSAN Grease or equivalent).

Grease amount : 134 – 144 g (4.73 – 5.08 oz)



6. Install new stopper ring to housing of slide joint assembly.
7. After installation, pull shaft to check engagement between slide joint assembly and stopper ring.

A
B
C
FAX
E
F
G
H
I
J
K
L
M
N
O
P

FRONT DRIVE SHAFT

< DISASSEMBLY AND ASSEMBLY >

8. Install boot securely into grooves (indicated by * marks) as shown.

CAUTION:

If there is grease on boot mounting surfaces (indicated by * marks) of shaft and housing, boot may come off. Clean all grease from surfaces.

9. Make sure boot installation length "L" is the length specified below. Insert a flat-bladed screwdriver or similar tool into the large end of boot. Bleed air from boot to prevent boot deformation.

Boot installation length "L" : 167.9 mm (6.61 in)

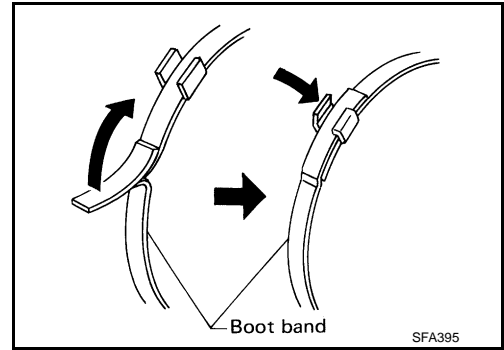
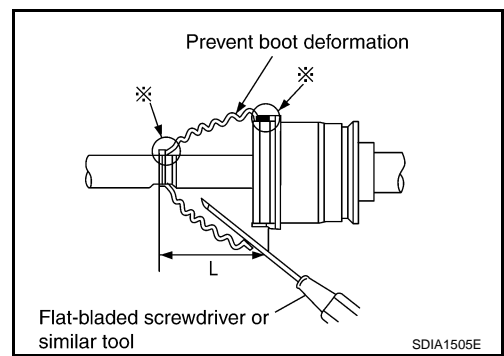
CAUTION:

- Boot may break if boot installation length is less than standard value.
- Be careful that screwdriver tip does not contact inside surface of boot.

10. Secure large and small ends of boot with new boot bands as shown.

CAUTION:

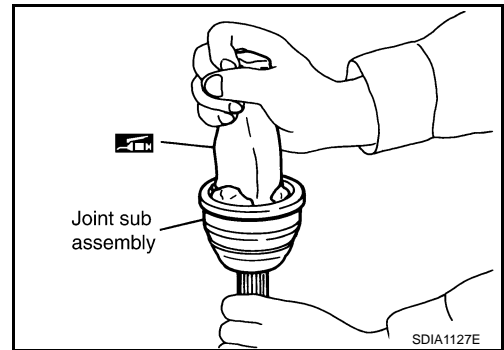
Discard old boot bands and replace with new ones.



11. Install new dust shield to slide joint housing.
12. After installing housing and shaft, make sure boot position is correct. If boot position is not correct, remove old boot bands then reposition the boot and secure with new boot bands.

Wheel Side

1. Insert the amount of grease (Genuine NISSAN Grease or equivalent) into joint sub-assembly serration hole until grease begins to ooze from ball groove and serration hole. After inserting grease, use a shop cloth to wipe off old grease that has oozed out.

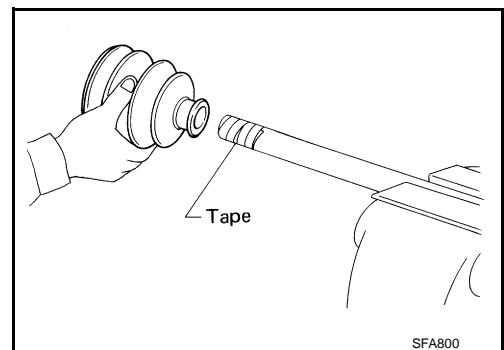


2. Cover serrated part of shaft with tape. Install new boot band and boot to shaft. Be careful not to damage boot.

CAUTION:

Discard old boot band and boot; replace with new one.

3. Remove protective tape wound around serrated part of shaft.



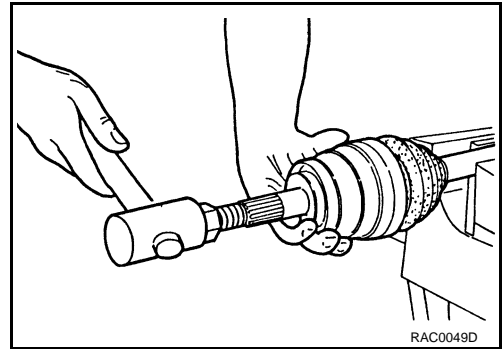
FRONT DRIVE SHAFT

< DISASSEMBLY AND ASSEMBLY >

4. Attach new circlip to shaft. The circlip must fit securely into shaft groove. Attach nut to joint sub-assembly. Use a suitable tool to press-fit.

CAUTION:

Discard old circlip and replace with new one.



5. Insert the amount of new grease (Genuine NISSAN Grease or equivalent) listed below into housing from large end of boot.

Grease amount : 170 – 190 g (6.00 – 6.70 oz)

6. Install boot securely into grooves (indicated by * marks) as shown.

CAUTION:

If there is grease on boot mounting surfaces (indicated by * marks) of shaft and housing, boot may come off. Remove all grease from surfaces.

7. Make sure boot installation length “L” is the specified length indicated below. Insert a flat-bladed screwdriver or similar tool into the large end of boot. Bleed air from boot to prevent boot deformation.

Boot installation length “L” : 163 mm (6.42 in)

CAUTION:

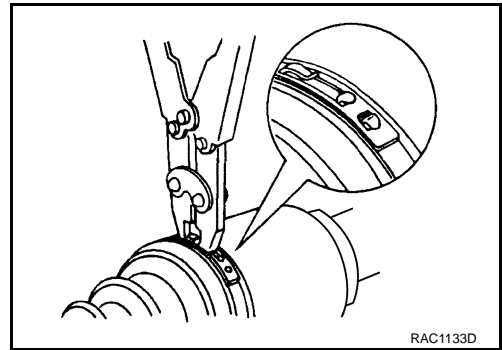
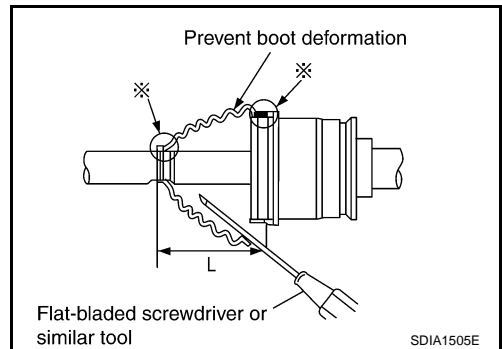
- Boot may break if boot installation length is less than standard value.
- Be careful that screwdriver tip does not contact inside surface of boot.

8. Install new large and small boot bands securely using Tool.

Tool number : KV40107300 (—)

NOTE:

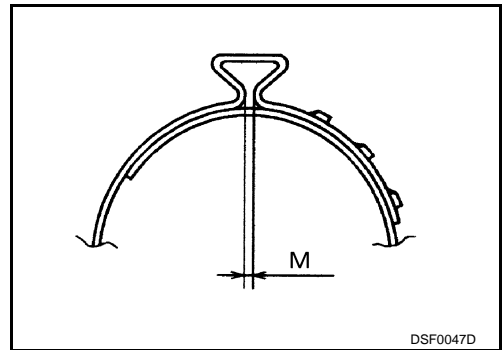
Do not reuse boot bands.



CAUTION:

- Secure boot band so that dimension “M” meets specification as shown.

Dimension “M” : 1.0 – 4.0 mm (0.039 – 0.157 in)



9. After installing housing and shaft, rotate boot to check whether or not the actual position is correct. If boot position is not correct, remove old boot bands then reposition the boot and secure with new boot bands.

A

B

C

FAX

E

F

G

H

I

J

K

L

M

N

O

P

FRONT DRIVE SHAFT

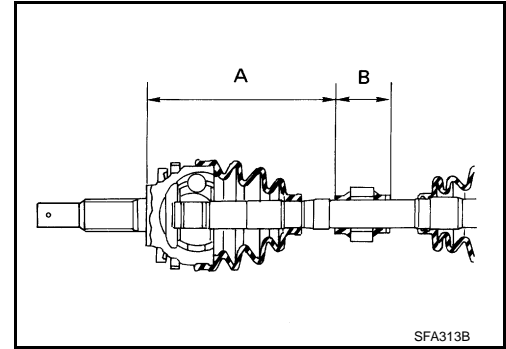
< DISASSEMBLY AND ASSEMBLY >

Damper

1. Use new damper bands for installation.
2. Install damper from stationary-joint side while holding it securely.

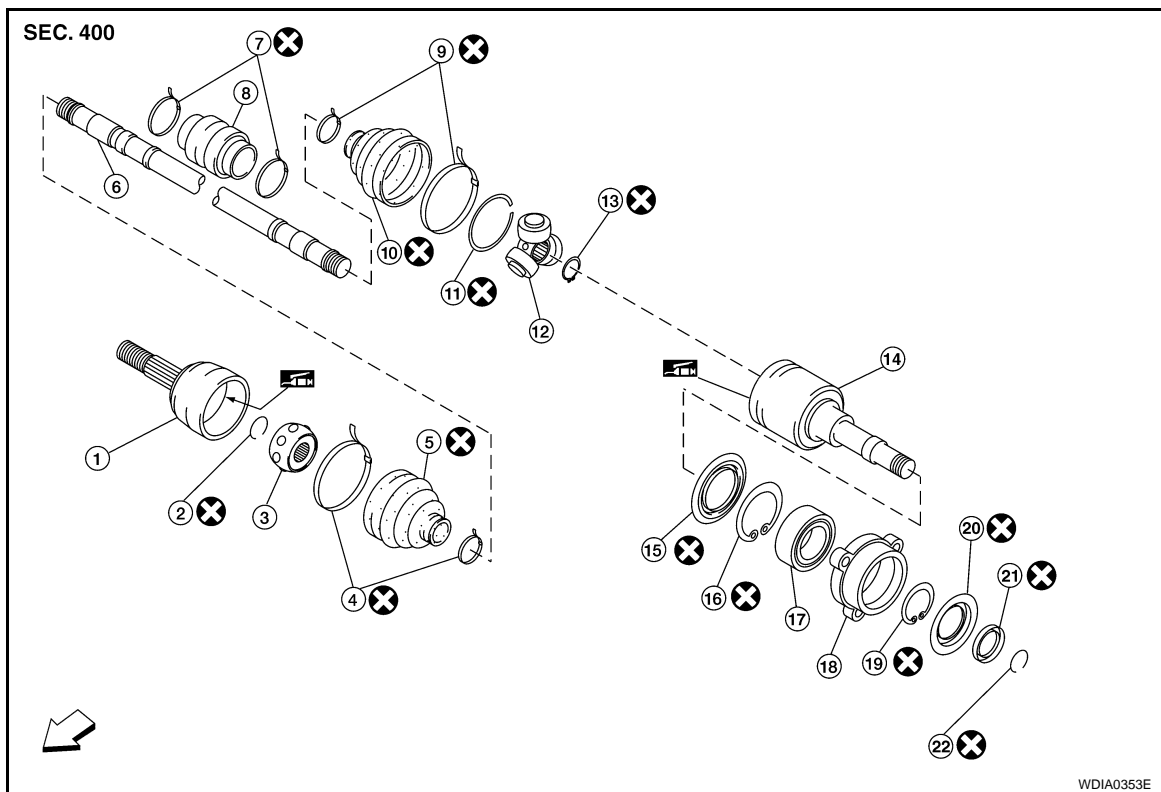
“A” : 205 – 215 mm (8.07 – 8.46 in)

“B” : 70 mm (2.76 in)



Disassembly and Assembly (Right Side)

INFOID:000000001342936



- | | | |
|-----------------------|-------------------------|---|
| 1. Joint sub-assembly | 2. Circlip | 3. Ball cage / Steel ball / Inner race assembly |
| 4. Boot bands | 5. Boot | 6. Shaft |
| 7. Damper bands | 8. Damper | 9. Boot band |
| 10. Boot | 11. Stopper ring | 12. Spider assembly |
| 13. Snap ring | 14. Slide joint housing | 15. Dust cover |
| 16. Snap ring | 17. Bearing | 18. Bracket |
| 19. Snap ring | 20. Dust shield | 21. Dust shield |
| 22. Circlip | ⇐: Front | |

DISASSEMBLY

Transaxle Side

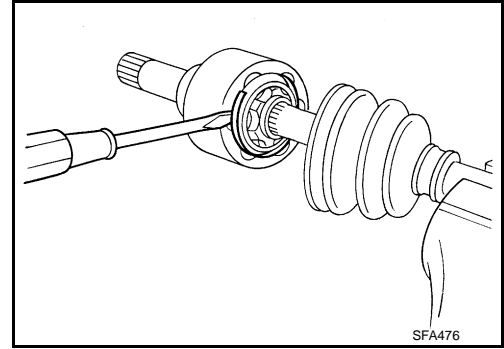
1. Press shaft in a vise.

CAUTION:
When retaining shaft in a vise, always use copper or aluminum plates between vise and shaft.
2. Remove circlip and dust shield from slide joint housing.
3. Remove boot bands and slide the boots back.

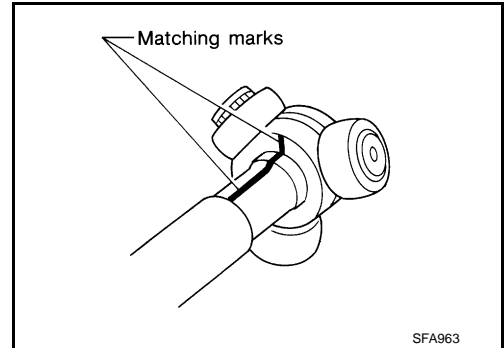
FRONT DRIVE SHAFT

< DISASSEMBLY AND ASSEMBLY >

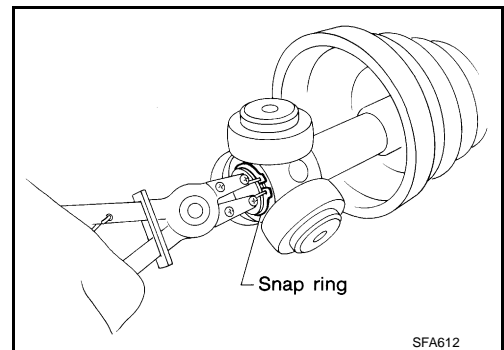
4. Put matching marks on slide joint housing and shaft before separating slide joint housing.
5. Remove stopper ring using a suitable tool, then pull out slide joint housing.



6. Put matching marks on spider assembly and shaft.



7. Remove snap ring using a suitable tool, then remove spider assembly from shaft.
8. Remove boot from shaft.
9. Clean old grease off of the slide joint housing.



Wheel Side

1. Mount the front drive shaft in a vise.

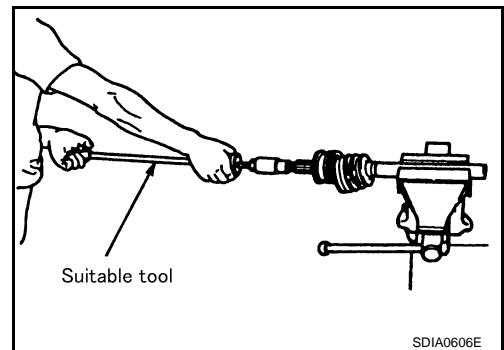
CAUTION:

When mounting shaft in a vise, always use copper or aluminum plates between vise and shaft.

2. Remove boot bands and slide the boot back.
3. Screw a sliding hammer or suitable tool 30 mm (1.18 in) or more into threaded part of joint sub-assembly. Pull joint sub-assembly out of shaft.

CAUTION:

- Align sliding hammer or suitable tool and drive shaft then remove joint sub-assembly by pulling directly.
- If joint sub-assembly cannot be removed after five or more unsuccessful attempts, replace the entire drive shaft assembly.



4. Remove boot from shaft.
5. Remove circlip from shaft.
6. While rotating ball cage, clean the old grease off of the joint sub-assembly.

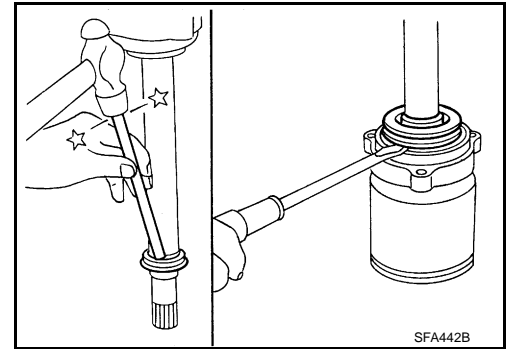
Support Bearing

A
B
C
FAX
E
F
G
H
I
J
K
L
M
N
O
P

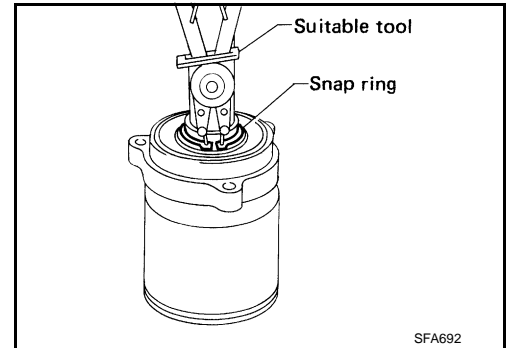
FRONT DRIVE SHAFT

< DISASSEMBLY AND ASSEMBLY >

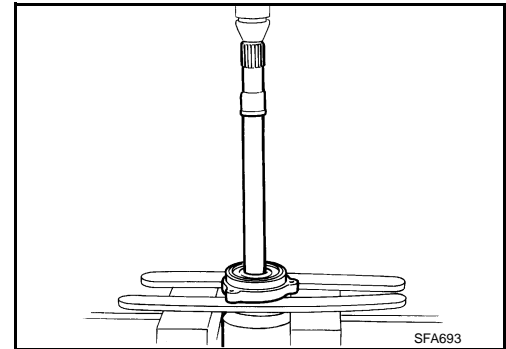
1. Remove dust shield from slide joint assembly using a suitable tool.



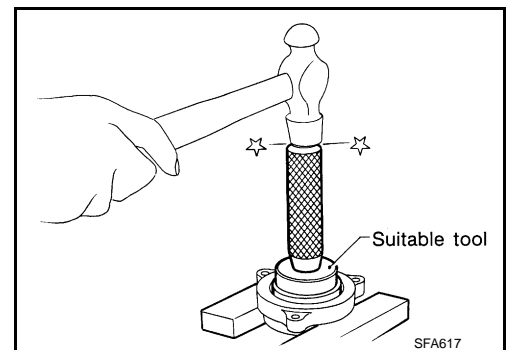
2. Remove snap ring using a suitable tool.



3. Press support bearing assembly off slide joint assembly using a suitable tool.



4. Separate support bearing from bracket using a suitable tool.



Damper

- Remove damper bands, then remove damper from shaft.

INSPECTION AFTER DISASSEMBLY

Shaft

- Replace shaft if there is any bending, cracking, or other damage.

Joint Sub-assembly

- Make sure there is no rough rotation or unusual axial looseness.
- Make sure there is no foreign material inside joint sub-assembly.
- Check joint sub-assembly for compression scars, cracks or fractures.

CAUTION:

FRONT DRIVE SHAFT

< DISASSEMBLY AND ASSEMBLY >

If there are any irregular conditions of joint sub-assembly components, replace the entire joint sub-assembly.

Sliding Joint Housing and Spider Assembly

- If roller surface of spider assembly has scratches or wear, replace housing and spider assembly.

NOTE:

Housing and spider assembly are components which are used as a set.

Support Bearing

- Make sure wheel bearing rolls freely and is free from noise, cracks, pitting or wear.

Damper

- Check damper for cracks or wear. Install damper with new damper bands.

ASSEMBLY

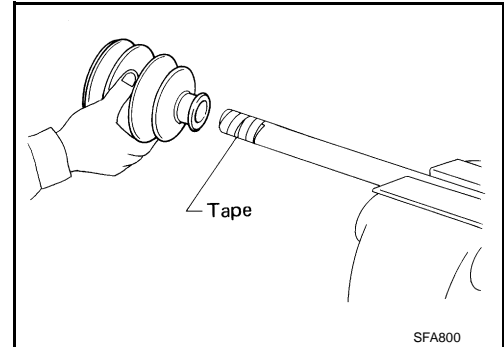
Transaxle Side

1. Cover serrated part of shaft with tape. Install new boot and boot band onto shaft. Be careful not to damage boot.

CAUTION:

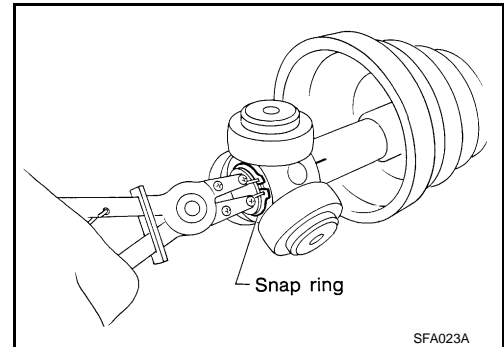
- **Discard old boot and boot band; replace with new ones.**

2. Remove protective tape wound around serrated part of shaft.



3. Install spider assembly securely, making sure the matching marks which were made during disassembly are properly aligned.
4. Install new snap ring using a suitable tool.
5. Pack drive shaft with specified amount of grease (Genuine NIS-SAN Grease or equivalent).

Grease amount : 134 - 144 g (4.73 - 5.08 oz)



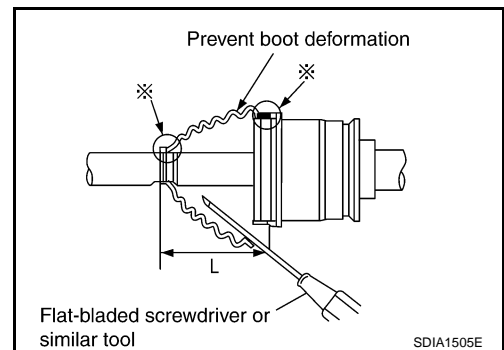
6. Install new stopper ring to slide joint assembly.
7. After installation, pull shaft to check engagement between slide joint assembly and stopper ring.
8. Install boot securely into grooves (indicated by * marks) as shown.

CAUTION:

If there is grease on boot mounting surfaces (indicated by * marks) of shaft and housing, boot may come off. Remove all grease from surfaces.

9. Make sure boot installation length "L" is the length indicated below. Insert a flat-bladed screwdriver or similar tool into the large end of boot. Bleed air from boot to prevent boot deformation.

Boot installation length "L" : 189.30 mm (7.45 in)



CAUTION:

- **Boot may break if boot installation length is less than standard value.**
- **Be careful that screwdriver tip does not contact inside surface of boot.**

FRONT DRIVE SHAFT

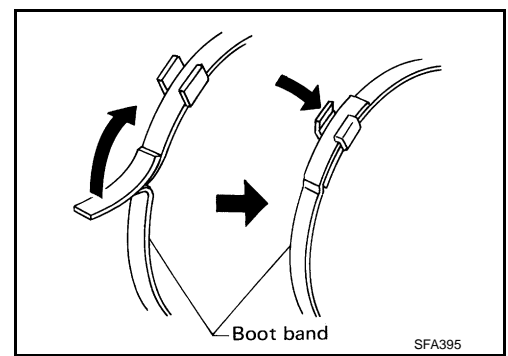
< DISASSEMBLY AND ASSEMBLY >

- Secure big and small ends of boot with new boot bands as shown.

CAUTION:

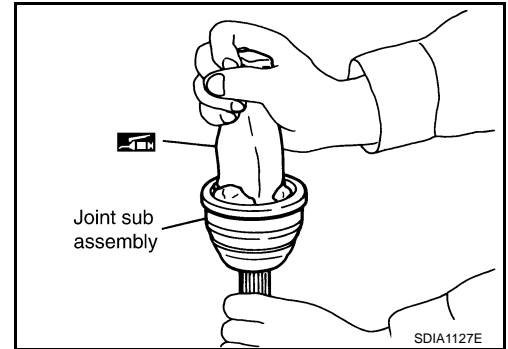
Discard old boot bands; replace with new ones.

- Install new dust shield to slide joint housing.
- After installing housing and shaft, rotate boot to check whether or not the actual position is correct. If boot position is not correct, remove old boot bands then reposition the boot and secure with new boot bands.



Wheel Side

- Insert the amount of grease (Genuine NISSAN Grease or equivalent) into joint sub-assembly serration hole until grease begins to ooze from ball groove and serration hole. After inserting grease, use a shop cloth to wipe off old grease that has oozed out.

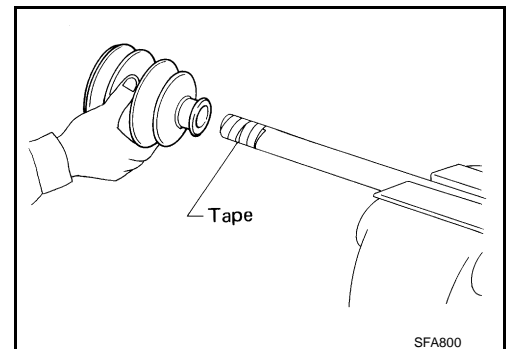


- Cover serrated part of shaft with tape. Install new boot and boot band onto shaft. Be careful not to damage boot.

CAUTION:

Discard old boot and boot band; replace with new ones.

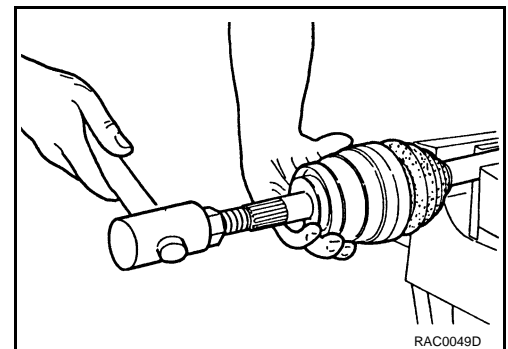
- Remove protective tape wound around serrated part of shaft.



- Attach new circlip to shaft. The circlip must fit securely into shaft groove. Attach nut to joint sub-assembly. Use a suitable tool to press-fit.

CAUTION:

Discard old circlip; replace with new ones.



- Insert the amount of new grease (Genuine NISSAN Grease or equivalent) listed below into housing from large end of boot.

Grease amount : 170 – 190 g (6.00 – 6.70 oz)

FRONT DRIVE SHAFT

< DISASSEMBLY AND ASSEMBLY >

- Install boot securely into grooves (indicated by * marks) as shown.

CAUTION:

If there is grease on boot mounting surfaces (indicated by * marks) of shaft and housing, boot may come off. Remove all grease from surfaces.

- Make sure boot installation length "L" is the specified length. Insert a flat-bladed screwdriver or similar tool into the large end of boot. Bleed air from boot to prevent boot deformation.

Boot installation length "L" : 163 mm (6.42 in)

CAUTION:

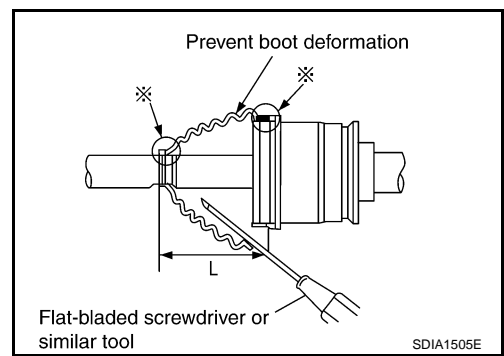
- Boot may break if boot installation length is less than standard value.
- Be careful that screwdriver tip does not contact inside surface of boot.

- Install new large and small boot bands securely using Tool.

Tool number : KV40107300 (—)

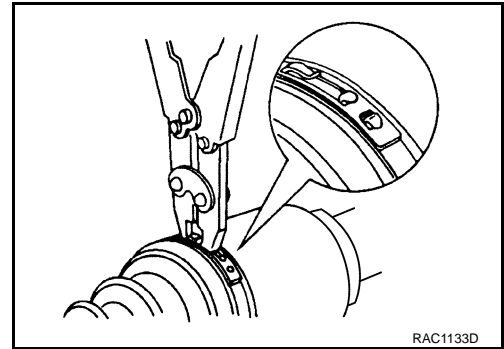
NOTE:

Do not reuse boot bands.



A
B
C

FAX

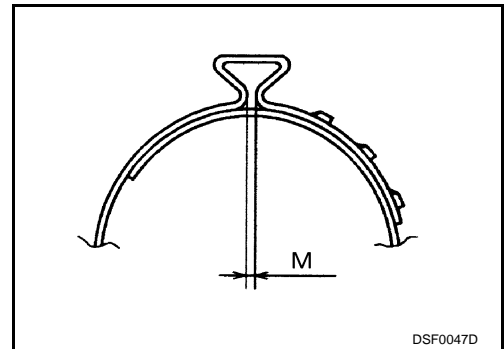


E
F
G
H

CAUTION:

- Secure boot band so that dimension "M" meets specification as shown.

Dimension "M" : 1.0 – 4.0 mm (0.039 – 0.157 in)



I
J
K
L

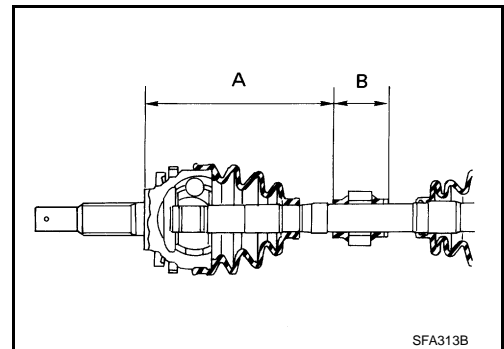
- After installing housing and shaft, rotate boot to check whether or not the actual position is correct. If boot position is not correct, remove old boot bands then reposition the boot and secure with new boot bands.

Damper

- Use new damper bands for installation.
- Install damper from stationary-joint side while holding it securely.

"A" : 205 – 215 mm (8.07 – 8.46 in)

"B" : 70 mm (2.76 in)



N
O
P

SERVICE DATA AND SPECIFICATIONS (SDS)

< SERVICE DATA AND SPECIFICATIONS (SDS)

SERVICE DATA AND SPECIFICATIONS (SDS)

SERVICE DATA AND SPECIFICATIONS (SDS)

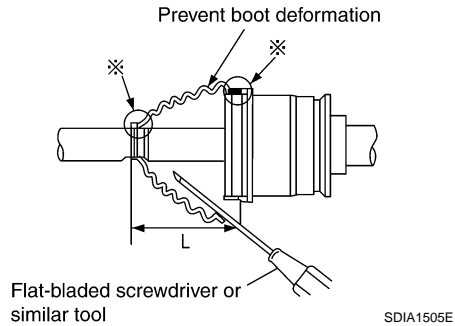
Wheel Bearing

INFOID:000000001342937

Axial end play limit	0.05 mm (0.002 in) or less
----------------------	----------------------------

Drive Shaft

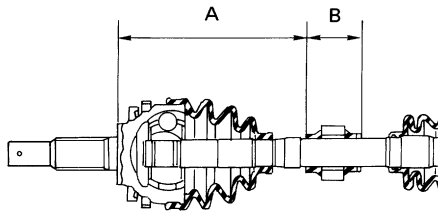
INFOID:000000001342938



Joint type	Wheel side		Transaxle side	
	LH	RH	LH	RH
Grease quantity	170 - 190 g (6.00 - 6.70 oz)		134 - 144 g (4.73 - 5.08 oz)	
Boots installed length	163 mm (6.42 in)		167.9 mm (6.61 in)	189.30 (7.45 in)

Dynamic Damper

INFOID:000000001342939



SFA313B

"A"	205 - 215 mm (8.07 - 8.46 in)
"B"	70 mm (2.76 in)