

SECTION **PG**

**POWER SUPPLY, GROUND & CIRCUIT ELEMENTS**

**CONTENTS**

<b>PRECAUTIONS</b> .....	<b>3</b>	<b>GROUND CIRCUIT</b> .....	<b>29</b>
Precautions for Supplemental Restraint System (SRS) "AIR BAG" and "SEAT BELT PRE-TENSIONER" .....	3	Ground Distribution .....	29
Wiring Diagrams and Trouble Diagnosis .....	3	MAIN HARNESS .....	29
<b>POWER SUPPLY ROUTING CIRCUIT</b> .....	<b>4</b>	ENGINE ROOM HARNESS .....	32
Schematic .....	4	ENGINE CONTROL HARNESS .....	35
Wiring Diagram — POWER — .....	6	BODY HARNESS .....	36
BATTERY POWER SUPPLY — IGNITION SW. IN ANY POSITION .....	6	BODY NO. 2 HARNESS .....	37
ACCESSORY POWER SUPPLY — IGNITION SW. IN ACC OR ON .....	11	BACK DOOR NO. 2 RH HARNESS .....	38
IGNITION POWER SUPPLY — IGNITION SW. IN ON .....	12	<b>HARNESS</b> .....	<b>39</b>
IGNITION POWER SUPPLY — IGNITION SW. IN ON AND/OR START .....	13	Harness Layout .....	39
<b>IPDM E/R (INTELLIGENT POWER DISTRIBUTION MODULE ENGINE ROOM)</b> .....	<b>17</b>	HOW TO READ HARNESS LAYOUT .....	39
System Description .....	17	OUTLINE .....	40
SYSTEMS CONTROLLED BY IPDM E/R .....	17	MAIN HARNESS .....	41
CAN COMMUNICATION LINE CONTROL .....	17	ENGINE ROOM HARNESS (LH VIEW) .....	43
IPDM E/R STATUS CONTROL .....	18	ENGINE ROOM HARNESS (RH VIEW) .....	46
CAN Communication System Description .....	18	ENGINE CONTROL HARNESS .....	48
Function of Detecting Ignition Relay Malfunction ...	18	CHASSIS HARNESS .....	50
CONSULT-II Function IPDM E/R .....	19	BODY HARNESS .....	52
CONSULT-II BASIC OPERATION .....	19	BODY NO. 2 HARNESS .....	54
SELF-DIAGNOSTIC RESULTS .....	20	ROOM LAMP HARNESS .....	56
DATA MONITOR .....	20	FRONT DOOR LH HARNESS .....	57
ACTIVE TEST .....	21	FRONT DOOR RH HARNESS .....	57
Auto Active Test .....	22	REAR DOOR LH HARNESS .....	58
DESCRIPTION .....	22	REAR DOOR RH HARNESS .....	58
OPERATION PROCEDURE .....	22	BACK DOOR HARNESS .....	59
INSPECTION IN AUTO ACTIVE TEST MODE... ..	22	Wiring Diagram Codes (Cell Codes) .....	60
Schematic .....	24	<b>ELECTRICAL UNITS LOCATION</b> .....	<b>62</b>
IPDM E/R Terminal Arrangement .....	25	Electrical Units Location .....	62
IPDM E/R Power/Ground Circuit Inspection .....	26	ENGINE COMPARTMENT .....	62
Inspection with CONSULT-II (Self-Diagnosis) .....	27	PASSENGER COMPARTMENT .....	63
Removal and Installation of IPDM E/R .....	28	Fuse .....	65
REMOVAL .....	28	Fusible Link .....	65
INSTALLATION .....	28	Circuit Breaker (Built Into BCM) .....	65
		<b>HARNESS CONNECTOR</b> .....	<b>66</b>
		Description .....	66
		HARNESS CONNECTOR (TAB-LOCKING TYPE) .....	66
		HARNESS CONNECTOR (SLIDE-LOCKING TYPE) .....	67
		HARNESS CONNECTOR (LEVER LOCKING	

A  
B  
C  
D  
E  
F  
G  
H  
I  
J  
L  
M

**PG**

---

TYPE) .....	68	<b>SUPER MULTIPLE JUNCTION (SMJ) .....</b>	<b>73</b>
HARNESS CONNECTOR (DIRECT-CONNECT		Terminal Arrangement .....	73
SRS COMPONENT TYPE) .....	69	<b>FUSE BLOCK-JUNCTION BOX(J/B) .....</b>	<b>75</b>
<b>ELECTRICAL UNITS .....</b>	<b>70</b>	Terminal Arrangement .....	75
Terminal Arrangement .....	70	<b>FUSE AND FUSIBLE LINK BOX .....</b>	<b>76</b>
<b>STANDARDIZED RELAY .....</b>	<b>71</b>	Terminal Arrangement .....	76
Description .....	71	<b>FUSE AND RELAY BOX .....</b>	<b>77</b>
NORMAL OPEN, NORMAL CLOSED AND		Terminal Arrangement .....	77
MIXED TYPE RELAYS .....	71		
TYPE OF STANDARDIZED RELAYS .....	71		

# PRECAUTIONS

## PRECAUTIONS

PFP:00011

### Precautions for Supplemental Restraint System (SRS) “AIR BAG” and “SEAT BELT PRE-TENSIONER”

EKS00B6C

The Supplemental Restraint System such as “AIR BAG” and “SEAT BELT PRE-TENSIONER”, used along with a front seat belt, helps to reduce the risk or severity of injury to the driver and front passenger for certain types of collision. This system includes seat belt switch inputs and dual stage front air bag modules. The SRS system uses the seat belt switches to determine the front air bag deployment, and may only deploy one front air bag, depending on the severity of a collision and whether the front occupants are belted or unbelted. Information necessary to service the system safely is included in the SRS and SB section of this Service Manual.

#### **WARNING:**

- To avoid rendering the SRS inoperative, which could increase the risk of personal injury or death in the event of a collision which would result in air bag inflation, all maintenance must be performed by an authorized NISSAN/INFINITI dealer.
- Improper maintenance, including incorrect removal and installation of the SRS, can lead to personal injury caused by unintentional activation of the system. For removal of Spiral Cable and Air Bag Module, see the SRS section.
- Do not use electrical test equipment on any circuit related to the SRS unless instructed to in this Service Manual. SRS wiring harnesses can be identified by yellow and/or orange harnesses or harness connectors.

### Wiring Diagrams and Trouble Diagnosis

EKS00B6D

When you read wiring diagrams, refer to the following:

- Refer to [GI-15, "How to Read Wiring Diagrams"](#) in GI section.
- Refer to [PG-4, "POWER SUPPLY ROUTING CIRCUIT"](#) for power distribution.

When you perform trouble diagnosis, refer to the following:

- Refer to [GI-11, "HOW TO FOLLOW TEST GROUPS IN TROUBLE DIAGNOSES"](#) in GI section.
- Refer to [GI-27, "How to Perform Efficient Diagnosis for an Electrical Incident"](#) in GI section.

A

B

C

D

E

F

G

H

I

J

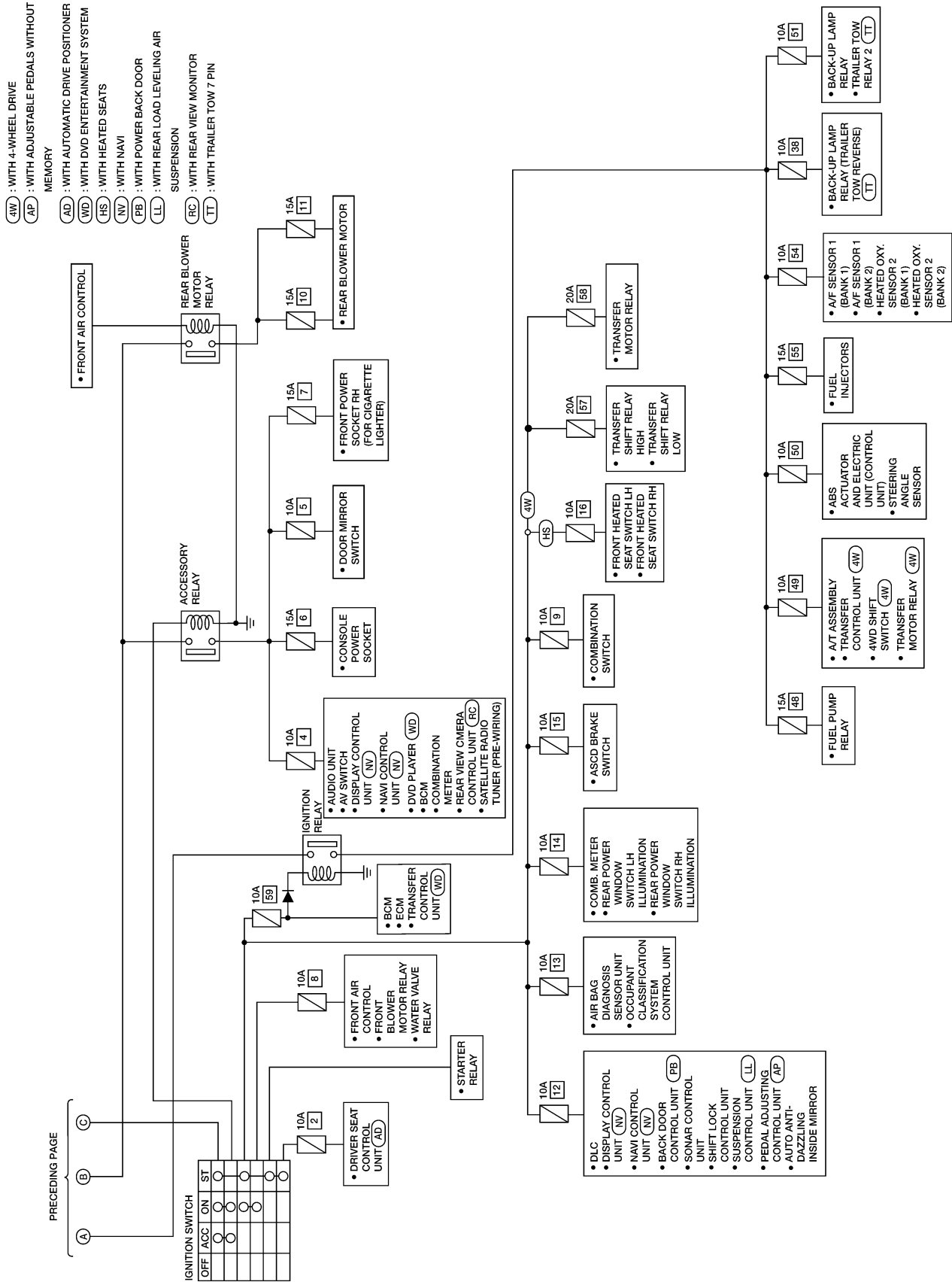
PG

L

M



# POWER SUPPLY ROUTING CIRCUIT



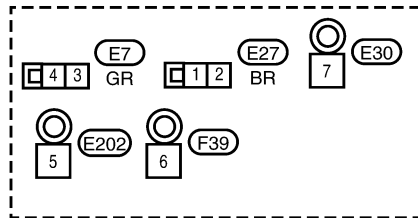
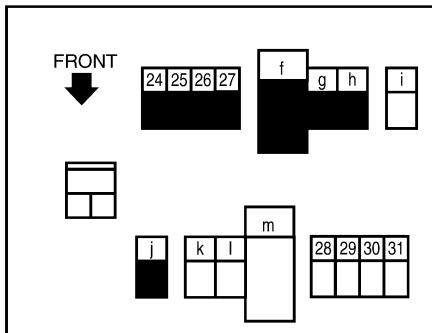
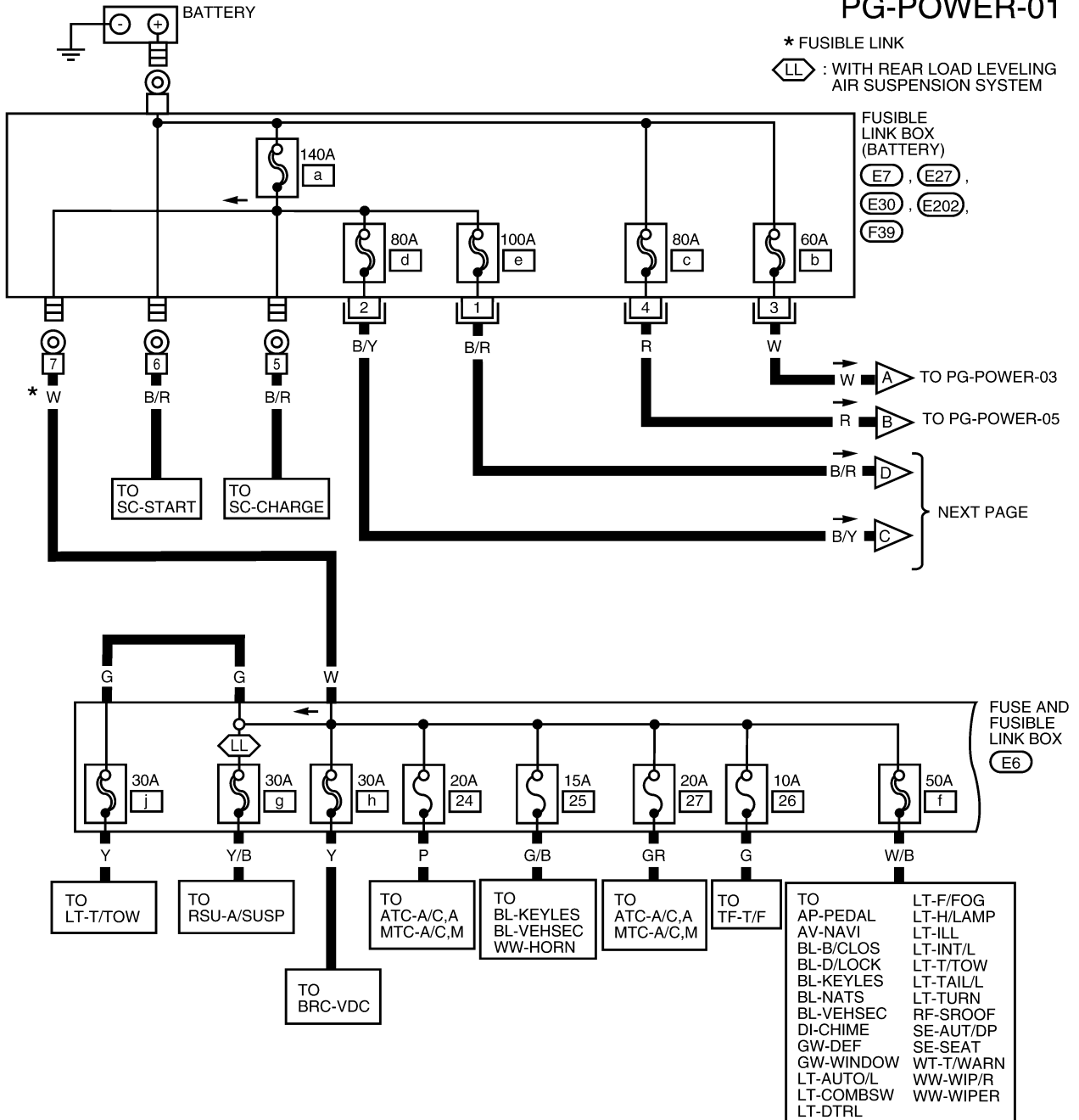
A  
B  
C  
D  
E  
F  
G  
H  
I  
J  
PG  
L  
M

# POWER SUPPLY ROUTING CIRCUIT

## Wiring Diagram — POWER — BATTERY POWER SUPPLY — IGNITION SW. IN ANY POSITION

EKS00B6F

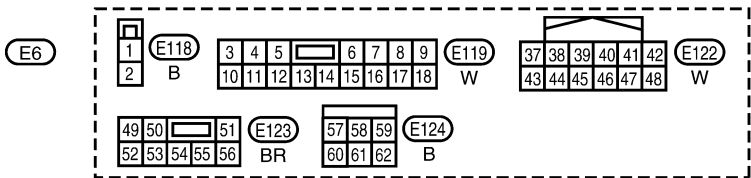
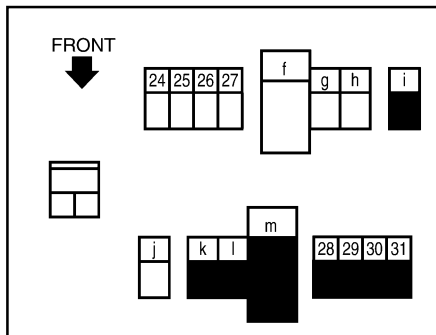
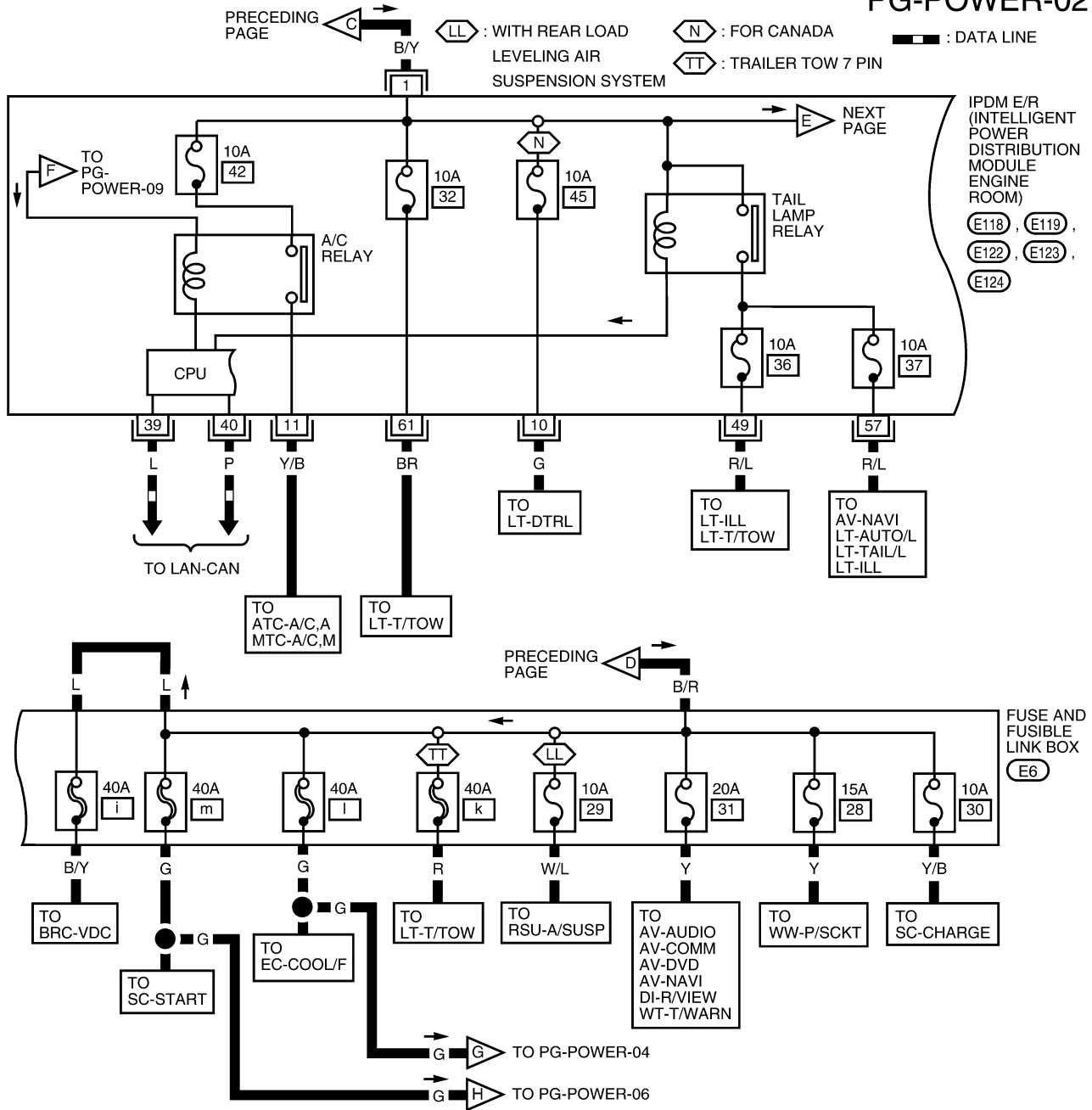
### PG-POWER-01



WKWA2649E

# POWER SUPPLY ROUTING CIRCUIT

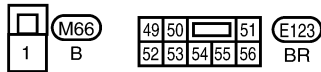
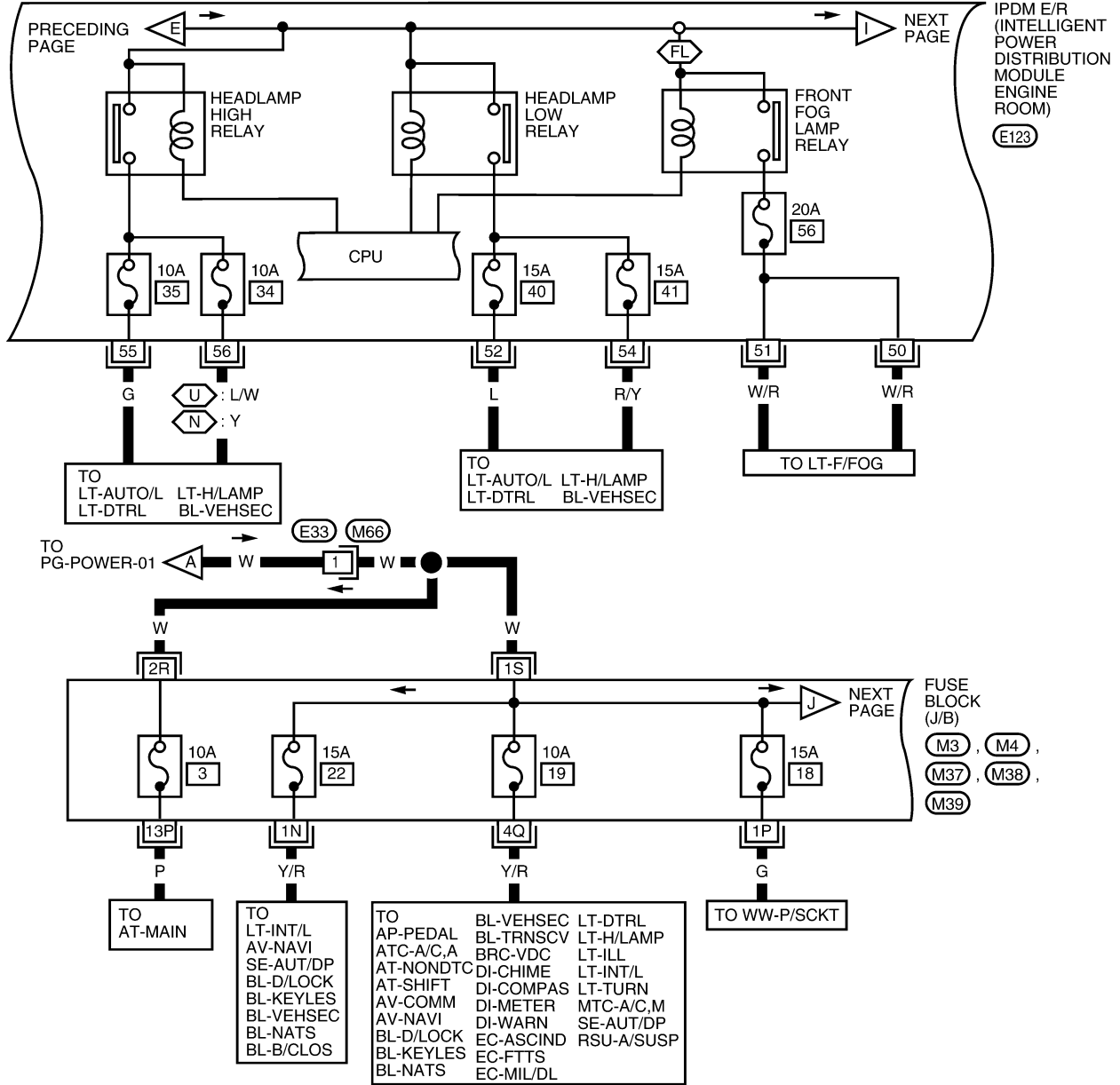
PG-POWER-02



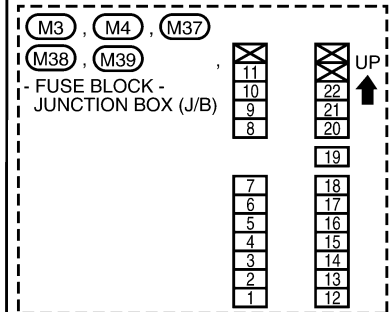
# POWER SUPPLY ROUTING CIRCUIT

PG-POWER-03

- FL : WITH FRONT FOG LAMPS
- N : CANADA
- U : USA



REFER TO THE FOLLOWING.

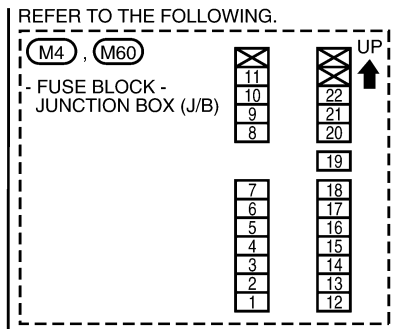
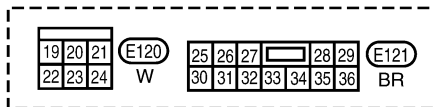
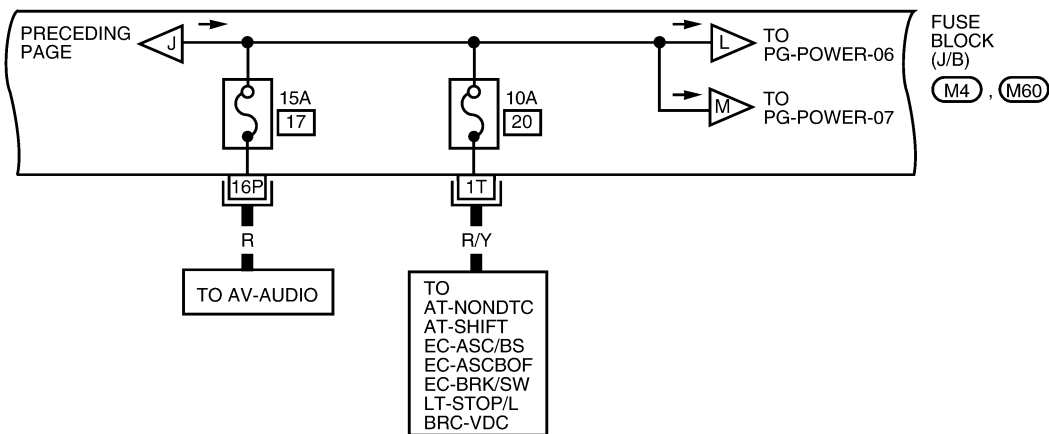
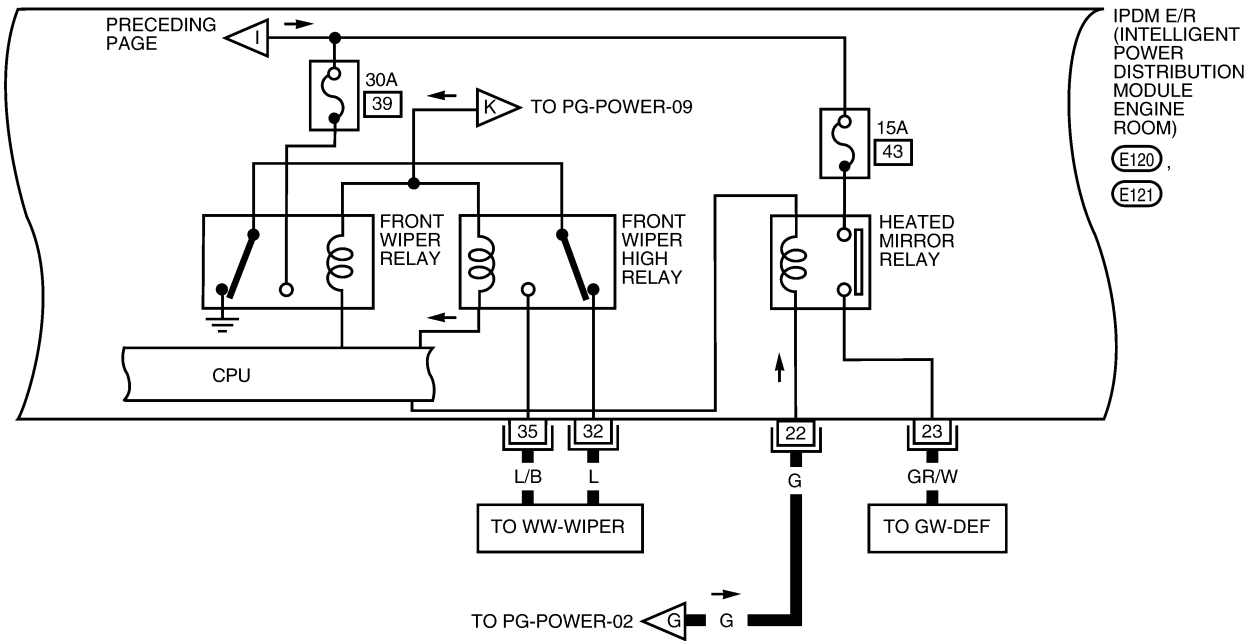


WKWA2651E



# POWER SUPPLY ROUTING CIRCUIT

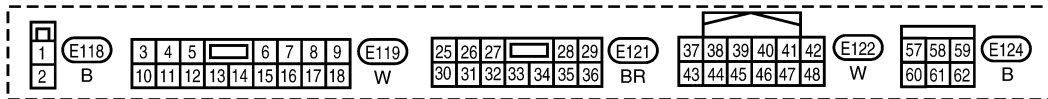
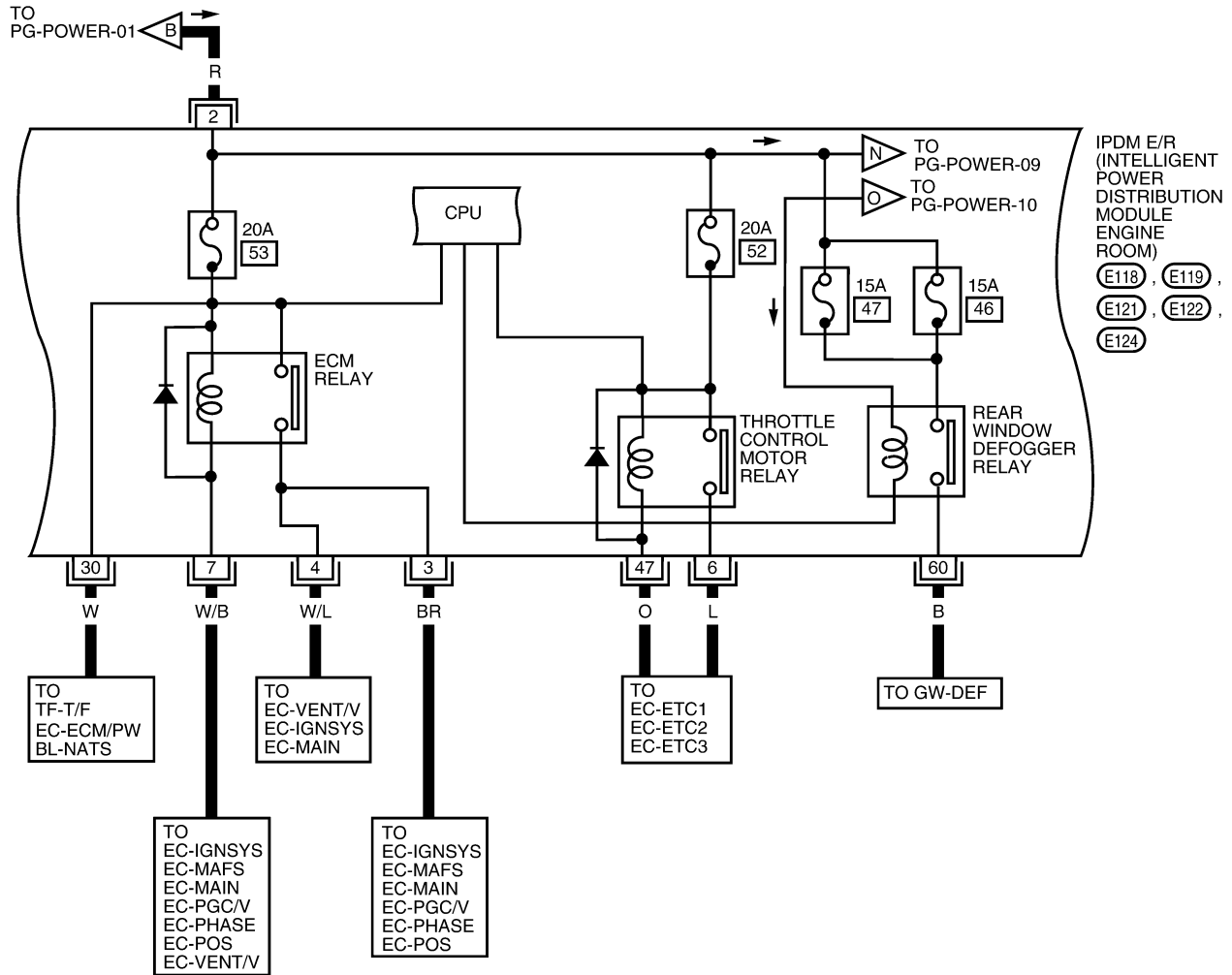
PG-POWER-04



WKWA2652E

# POWER SUPPLY ROUTING CIRCUIT

PG-POWER-05

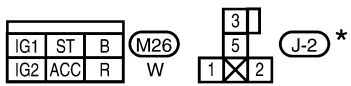
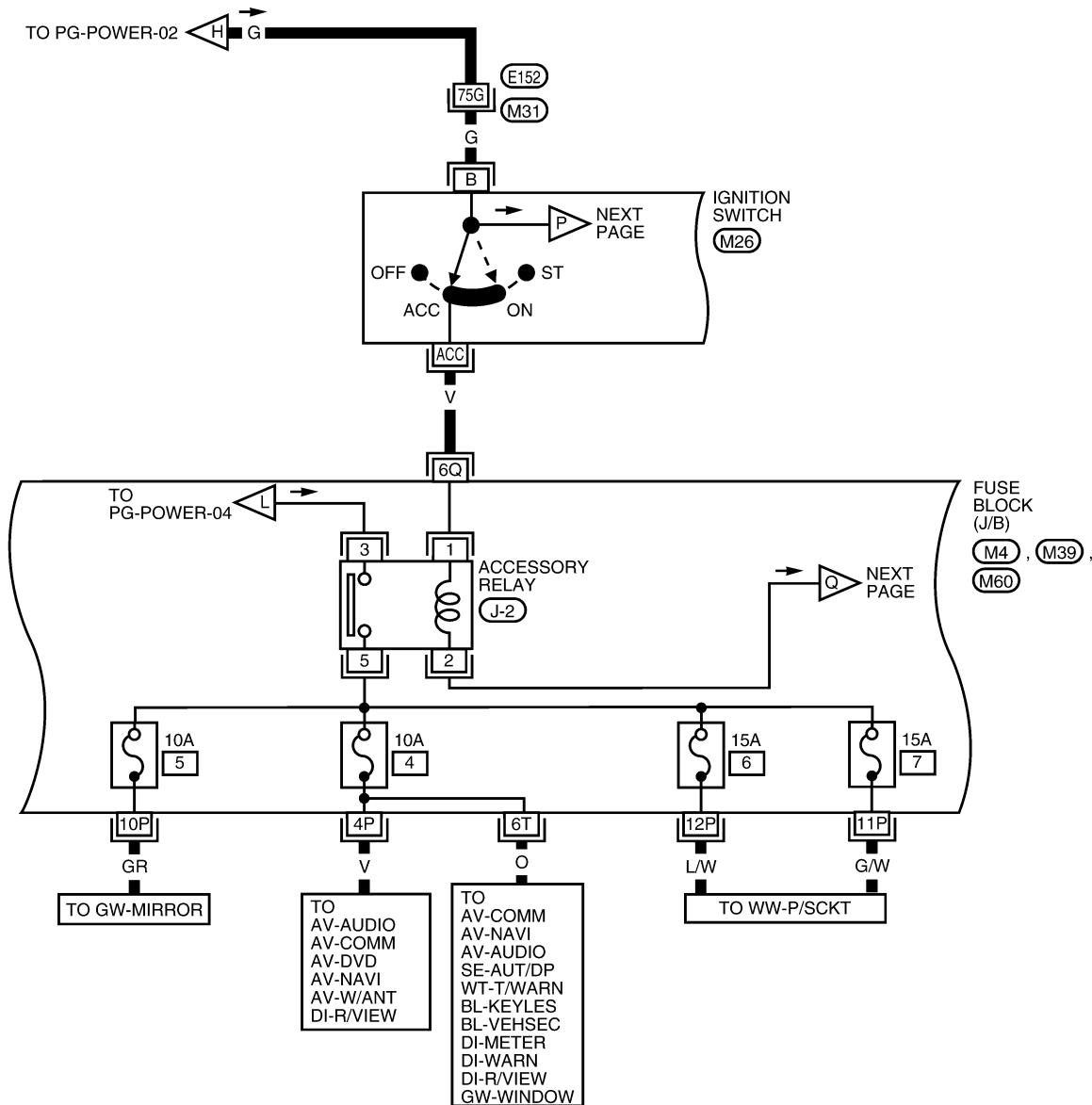


WKWA2653E

# POWER SUPPLY ROUTING CIRCUIT

## ACCESSORY POWER SUPPLY — IGNITION SW. IN ACC OR ON

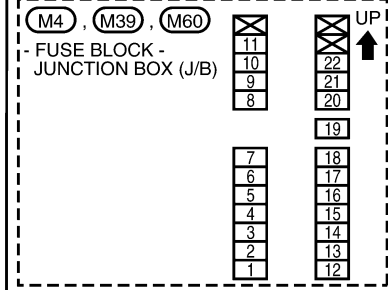
PG-POWER-06



\* : THIS CONNECTOR IS NOT SHOWN IN "HARNESS LAYOUT".

REFER TO THE FOLLOWING.

(M31) - SUPER MULTIPLE JUNCTION (SMJ)

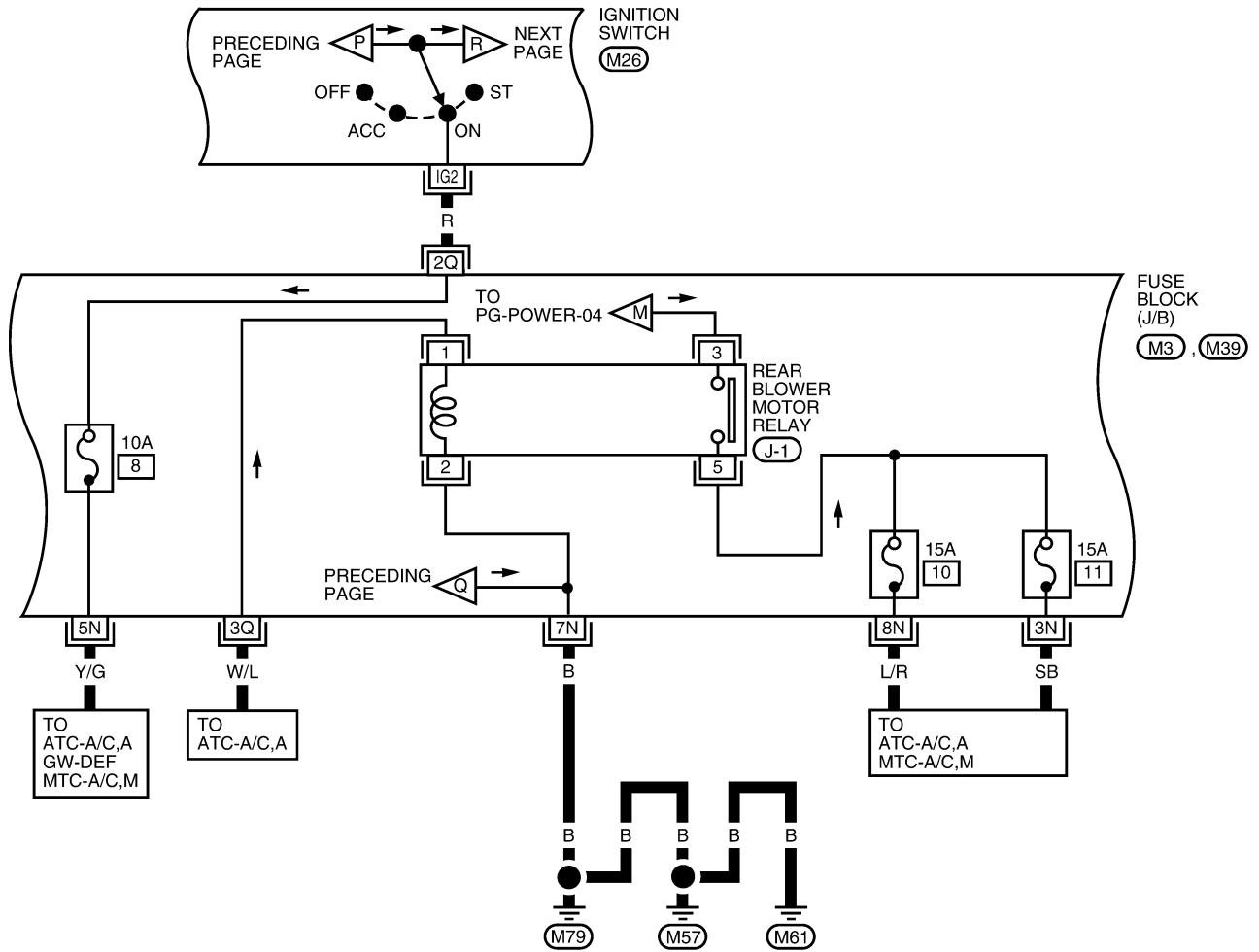


WKWA2654E

# POWER SUPPLY ROUTING CIRCUIT

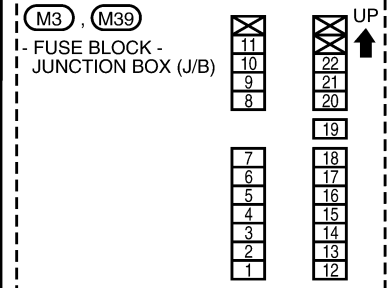
## IGNITION POWER SUPPLY — IGNITION SW. IN ON

PG-POWER-07



\*: THIS CONNECTOR IS NOT SHOWN IN "HARNESS LAYOUT".

REFER TO THE FOLLOWING.

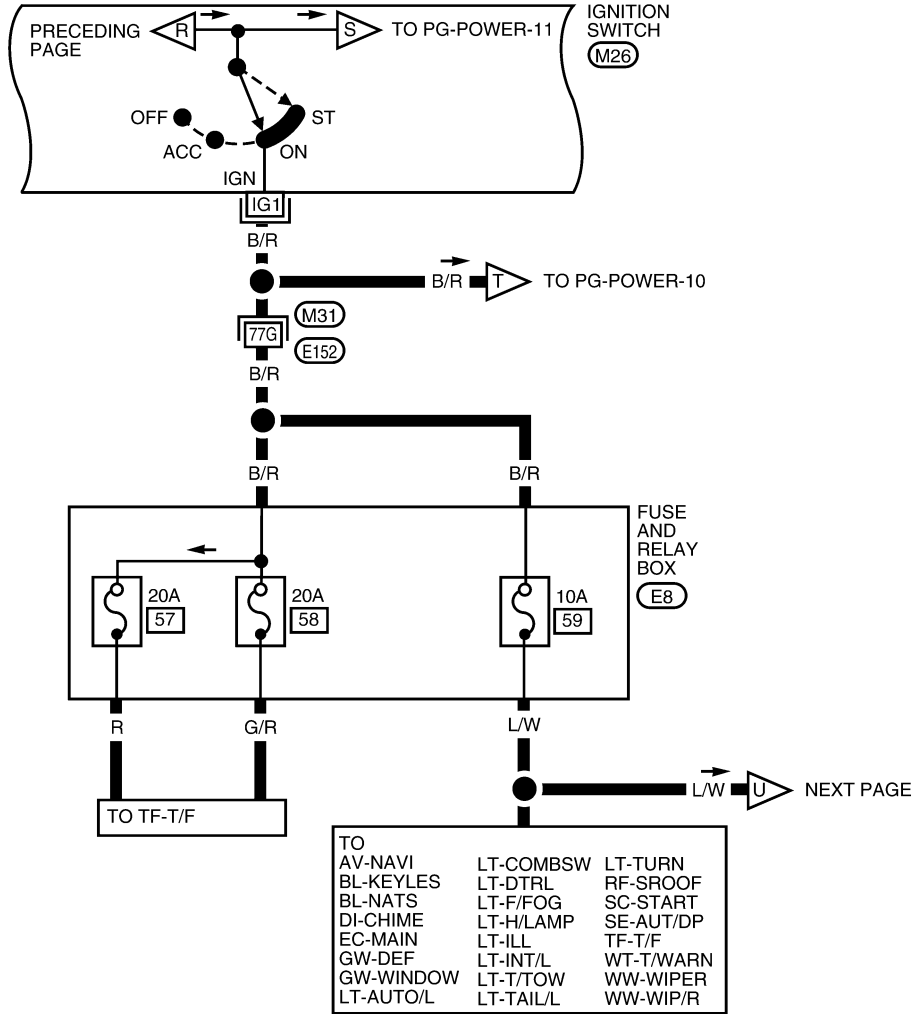


WKWA2639E

# POWER SUPPLY ROUTING CIRCUIT

## IGNITION POWER SUPPLY — IGNITION SW. IN ON AND/OR START

PG-POWER-08



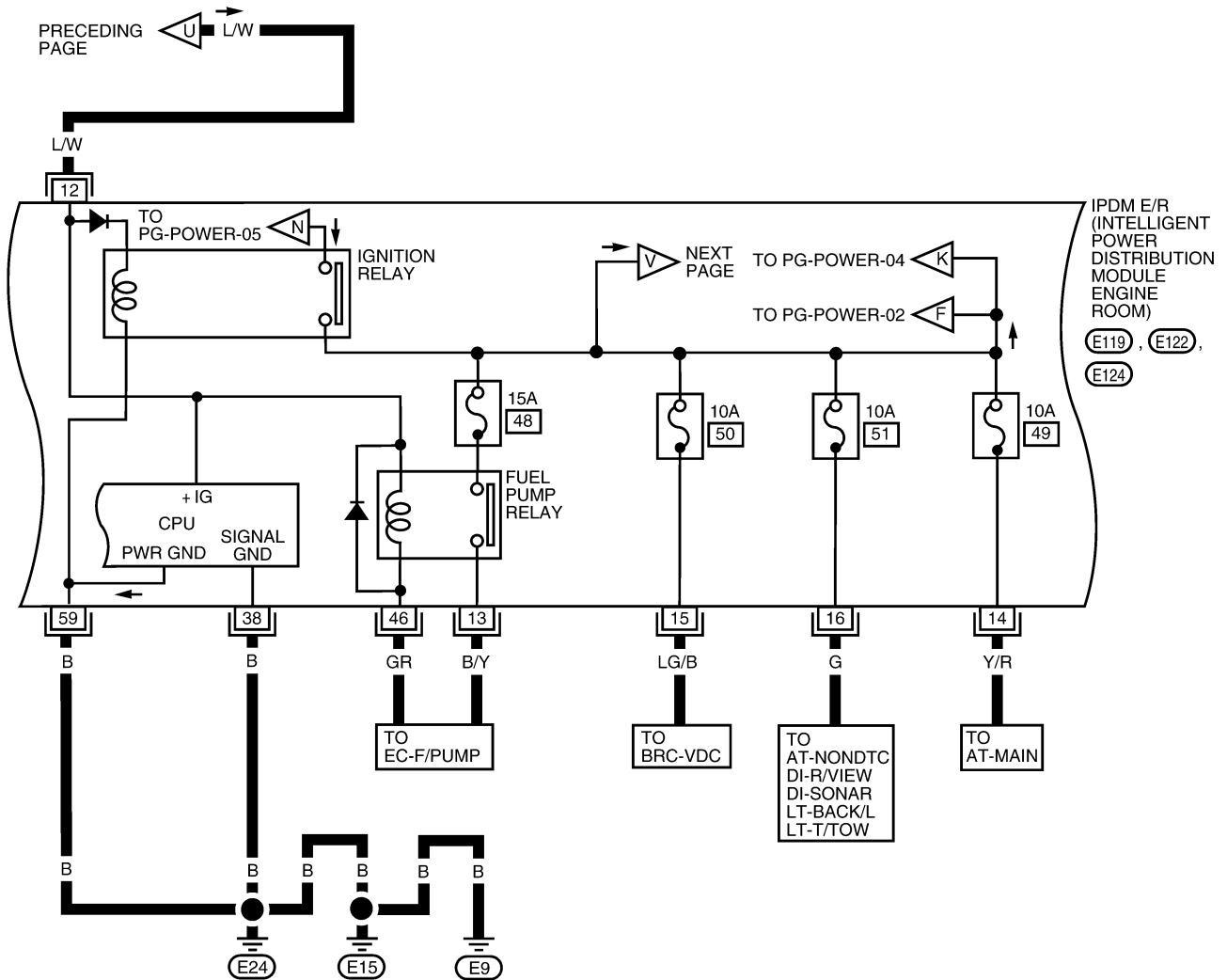
IG1	ST	B	(M26)
IG2	ACC	R	W

REFER TO THE FOLLOWING.  
 (M31) - SUPER MULTIPLE JUNCTION (SMJ)

WKWA2640E

# POWER SUPPLY ROUTING CIRCUIT

PG-POWER-09



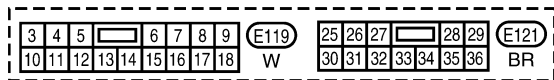
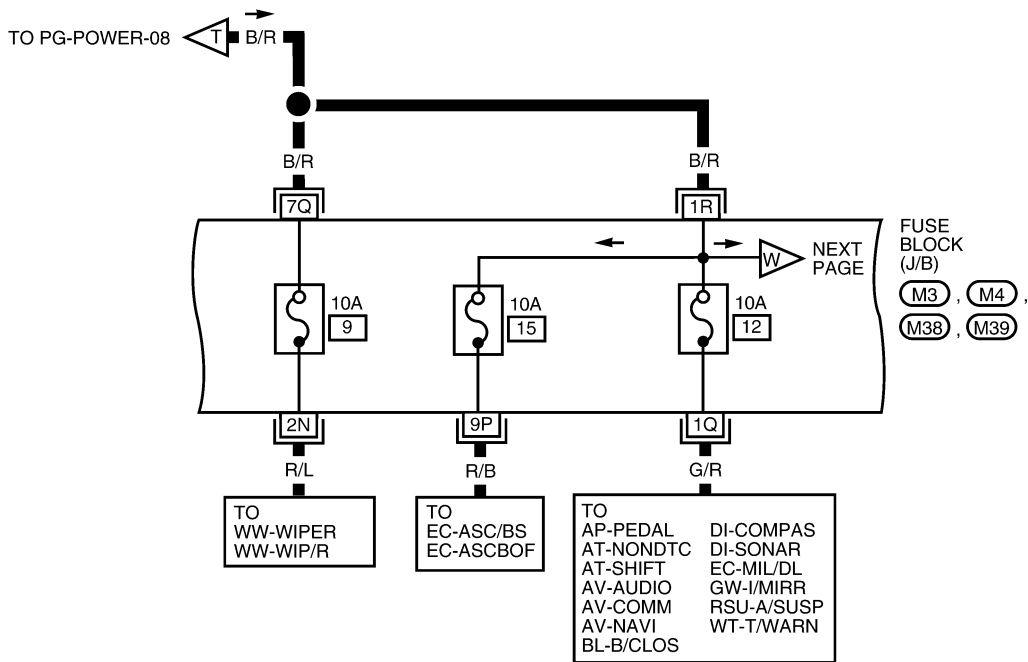
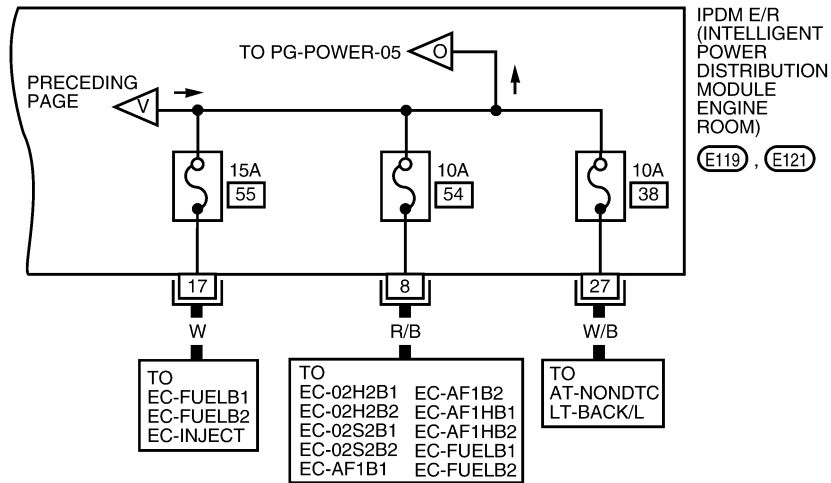
3	4	5	6	7	8	9	E119	37	38	39	40	41	42	E122	57	58	59	E124		
10	11	12	13	14	15	16	17	18	W	43	44	45	46	47	48	W	60	61	62	B

WKWA2641E

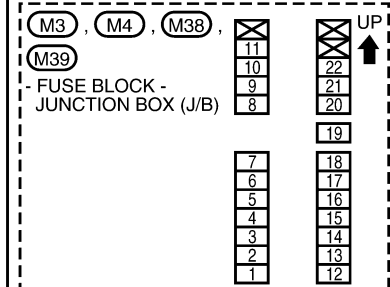
# POWER SUPPLY ROUTING CIRCUIT

PG-POWER-10

A  
B  
C  
D  
E  
F  
G  
H  
I  
J  
PG  
L  
M



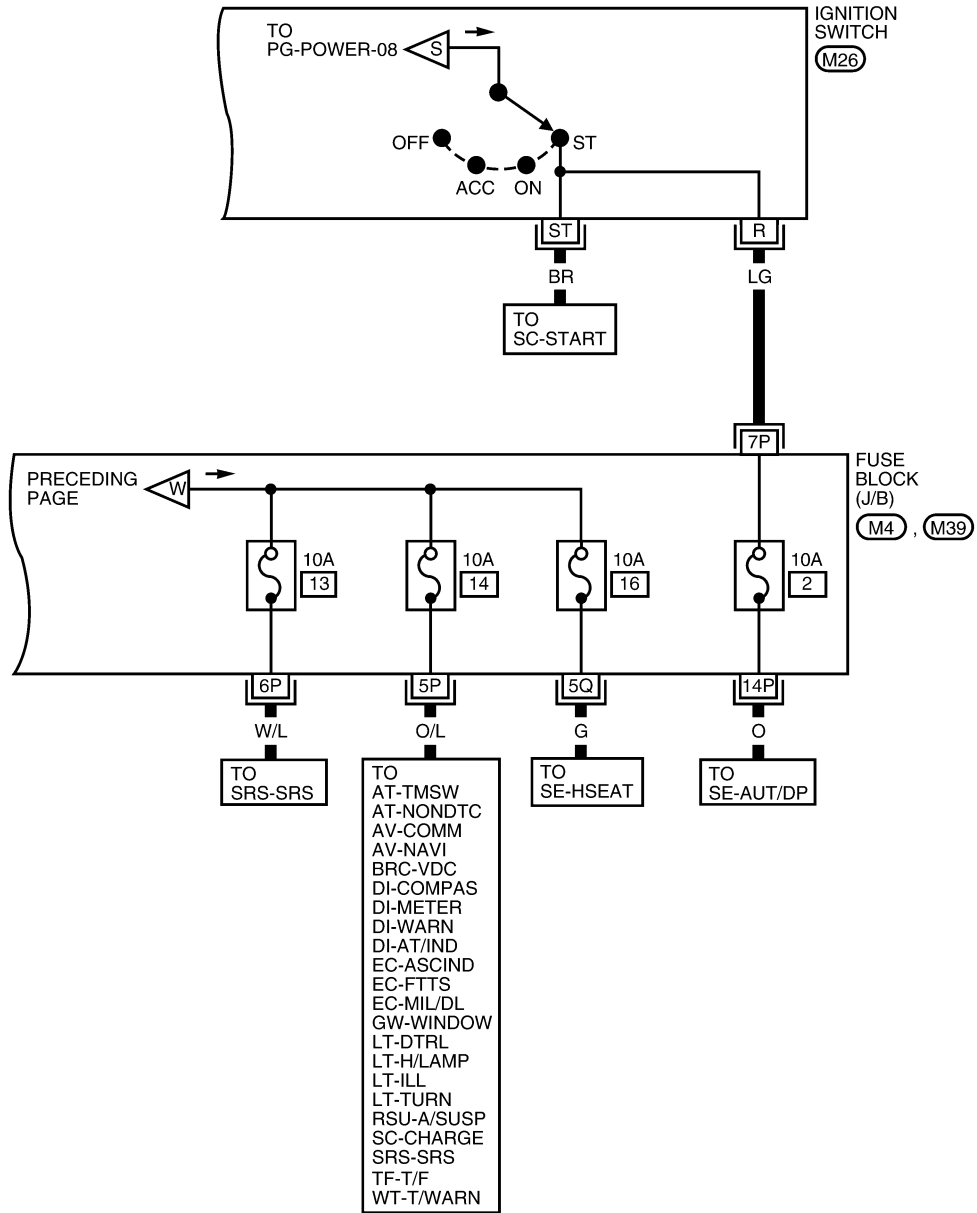
REFER TO THE FOLLOWING.



WKWA2642E

# POWER SUPPLY ROUTING CIRCUIT

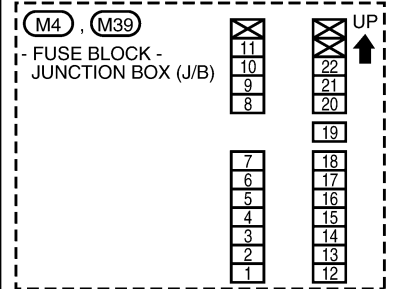
## PG-POWER-11



IG1	ST	B	(M26)
IG2	ACC	R	

W

REFER TO THE FOLLOWING.



WKWA2643E



# IPDM E/R (INTELLIGENT POWER DISTRIBUTION MODULE ENGINE ROOM)

## IPDM E/R (INTELLIGENT POWER DISTRIBUTION MODULE ENGINE ROOM)

PFP:284B7

EKS00B6G

### System Description

- IPDM E/R (Intelligent Power Distribution Module Engine Room) integrates the relay box and fuse block which were originally placed in engine compartment. It controls integrated relays via IPDM E/R control circuits.
- IPDM E/R-integrated control circuits perform ON-OFF operation of relays, CAN communication control, etc.
- It controls operation of each electrical component via ECM, BCM and CAN communication lines.

#### CAUTION:

None of the IPDM E/R integrated relays can be removed.

### SYSTEMS CONTROLLED BY IPDM E/R

1. Lamp control  
Using CAN communication lines, it receives signals from the BCM and controls the following lamps:
  - Headlamps (Hi, Lo)
  - Parking lamps
  - Tail lamps
  - Front fog lamps
2. Wiper control  
Using CAN communication lines, it receives signals from the BCM and controls the front wipers.
3. Rear window defogger relay control  
Using CAN communication lines, it receives signals from the BCM and controls the rear window defogger relay.
4. A/C compressor control  
Using CAN communication lines, it receives signals from the ECM and controls the A/C compressor (magnetic clutch).
5. Starter control  
Using CAN communication lines, it receives signals from the ECM and controls the starter relay.
6. Cooling fan control  
Using CAN communication lines, it receives signals from the ECM and controls the cooling fan relays.
7. Horn control  
Using CAN communication lines, it receives signals from the BCM and controls the horn relay.

### CAN COMMUNICATION LINE CONTROL

With CAN communication, by connecting each control unit using two communication lines (CAN L-line, CAN H-line), it is possible to transmit a maximum amount of information with minimum wiring. Each control unit can transmit and receive data, and reads necessary information only.

1. Fail-safe control
  - When CAN communication with other control units is impossible, IPDM E/R performs fail-safe control. After CAN communication returns to normal operation, it also returns to normal control.
  - Operation of control parts by IPDM E/R during fail-safe mode is as follows:

Controlled system	Fail-safe mode
Headlamp	<ul style="list-style-type: none"> <li>● With the ignition switch ON, the headlamp (low) is ON.</li> <li>● With the ignition switch OFF, the headlamp (low) is OFF.</li> </ul>
Tail and parking lamps	<ul style="list-style-type: none"> <li>● With the ignition switch ON, the tail and parking lamps are ON.</li> <li>● With the ignition switch OFF, the tail and parking lamps are OFF.</li> </ul>
Cooling fan	<ul style="list-style-type: none"> <li>● With the ignition switch ON, the cooling fan HI operates.</li> <li>● With the ignition switch OFF, the cooling fan stops.</li> </ul>
Front wiper	Until the ignition switch is turned off, the front wiper LO and HI remains in the same status it was in just before fail-safe control was initiated.
Rear window defogger	Rear window defogger relay OFF

# IPDM E/R (INTELLIGENT POWER DISTRIBUTION MODULE ENGINE ROOM)

Controlled system	Fail-safe mode
A/C compressor	A/C compressor OFF
Front fog lamps	Front fog lamp relay OFF

## IPDM E/R STATUS CONTROL

In order to save power, IPDM E/R switches status by itself based on each operating condition.

1. CAN communication status
  - CAN communication is normally performed with other control units.
  - Individual unit control by IPDM E/R is normally performed.
  - When sleep request signal is received from BCM, mode is switched to sleep waiting status.
2. Sleep waiting status
  - Process to stop CAN communication is activated.
  - All systems controlled by IPDM E/R are stopped. When 1 second has elapsed after CAN communication with other control units is stopped, mode switches to sleep status.
3. Sleep status
  - IPDM E/R operates in low current-consumption mode.
  - CAN communication is stopped.
  - When a change in CAN communication signal is detected, mode switches to CAN communication status.
  - When a change in ignition switch signal is detected, mode switches to CAN communication status.

## CAN Communication System Description

EKS00B6H

Refer to [LAN-5, "CAN COMMUNICATION"](#).

## Function of Detecting Ignition Relay Malfunction

EKS00B6I

- When the integrated ignition relay is stuck in a "closed contact" position and cannot be turned OFF, IPDM E/R turns ON tail and parking lamps for 10 minutes to indicate IPDM E/R malfunction.
- When the state of the integrated ignition relay does not agree with the state of the ignition switch signal received via CAN communication, the IPDM E/R activates the tail lamp relay.

Ignition switch signal	Ignition relay status	Tail lamp relay
ON	ON	—
OFF	OFF	—
ON	OFF	—
OFF	ON	ON (10 minutes)

### NOTE:

When the ignition switch is turned ON, the tail lamps are OFF.

# IPDM E/R (INTELLIGENT POWER DISTRIBUTION MODULE ENGINE ROOM)

## CONSULT-II Function IPDM E/R

EKS00B6J

CONSULT-II can display each diagnostic item using the diagnostic test modes shown following.

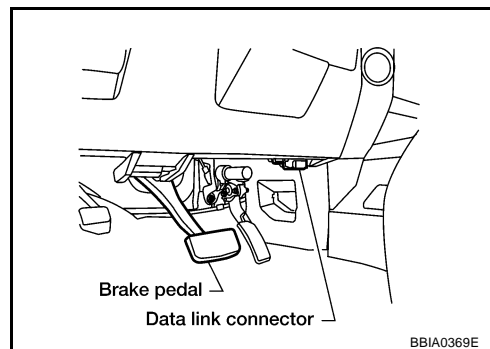
Inspection Item, Diagnosis Mode	Description
SELF-DIAG RESULTS	The IPDM E/R performs diagnosis of CAN communication and self-diagnosis.
DATA MONITOR	The input/output data of the IPDM E/R is displayed in real time.
ACTIVE TEST	The IPDM E/R sends a drive signal to electronic components to check their operation.
CAN DIAG SUPPORT MNTR	The result of transmit/receive diagnosis of CAN communication can be read.

## CONSULT-II BASIC OPERATION

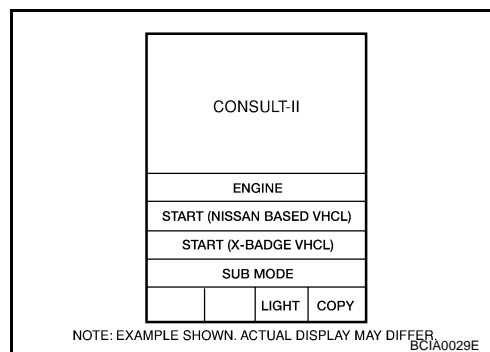
### CAUTION:

If CONSULT-II is used with no connection of CONSULT-II CONVERTER, malfunctions might be detected in self-diagnosis depending on control unit which carry out CAN communication.

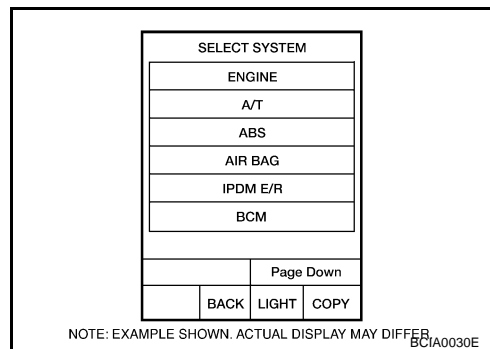
1. With the ignition switch OFF, connect CONSULT-II and CONSULT-II CONVERTER to the data link connector, then turn ignition switch ON.



2. Touch "START (NISSAN BASED VHCL)".

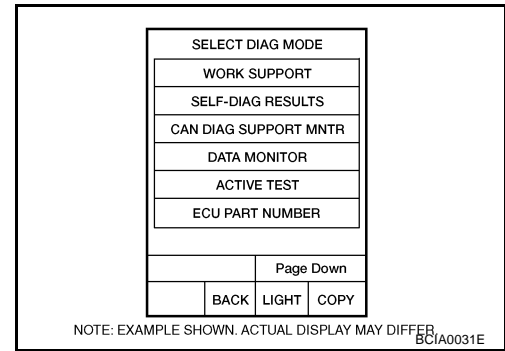


3. Touch "IPDM E/R" on "SELECT SYSTEM" screen.
  - If "IPDM E/R" is not displayed, print "SELECT SYSTEM" screen, then refer to [LAN-3, "PRECAUTIONS"](#).



# IPDM E/R (INTELLIGENT POWER DISTRIBUTION MODULE ENGINE ROOM)

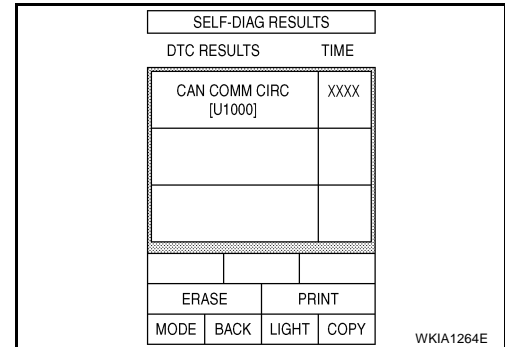
4. Select "SELF-DIAG RESULTS" or "DATA MONITOR".



## SELF-DIAGNOSTIC RESULTS

### Operation Procedure

1. Touch "SELF-DIAG RESULTS" on "SELECT DIAG MODE" screen.
2. Self-diagnosis results are displayed.



### Display Item List

Display items	CONSULT-II display code	Malfunction detection	TIME		Possible causes
			CRNT	PAST	
NO DTC IS DETECTED. FURTHER TESTING MAY BE REQUIRED.	—	—	—	—	—
CAN COMM CIRC	U1000	<ul style="list-style-type: none"> <li>● If CAN communication reception/transmission data has a malfunction, or if any of the control units fail, data reception/transmission cannot be confirmed.</li> <li>● When the data in CAN communication is not received before the specified time.</li> </ul>	X	X	Any of items listed below have errors: <ul style="list-style-type: none"> <li>● TRANSMIT DIAG</li> <li>● ECM</li> <li>● BCM/SEC</li> </ul>

#### NOTE:

The details for display of the period are as follows:

- CRNT: Error currently detected with IPDM E/R.
- PAST: Error detected in the past and placed in IPDM E/R memory.

## DATA MONITOR

### Operation Procedure

1. Touch "DATA MONITOR" on "SELECT DIAG MODE" screen.
2. Touch "ALL SIGNALS", "MAIN SIGNALS" or "SELECT FROM MENU" on the "DATA MONITOR" screen.

ALL SIGNALS	All signals will be monitored.
MAIN SIGNALS	Monitors the predetermined item(s).
SELECT FROM MENU	Selects and monitors individual signal(s).

3. Touch "START".
4. Touch the required monitoring item on "SELECT ITEM MENU".

# IPDM E/R (INTELLIGENT POWER DISTRIBUTION MODULE ENGINE ROOM)

5. Touch "RECORD" while monitoring to record the status of the item being monitored. To stop recording, touch "STOP".

## All Signals, Main Signals, Select From Menu

Item name	CONSULT-II screen display	Display or unit	Monitor item selection			Description
			ALL SIGNALS	MAIN SIGNALS	SELECT FROM MENU	
Motor fan request	MOTOR FAN REQ	1/2/3/4	X	X	X	Signal status input from ECM
Compressor request	AC COMP REQ	ON/OFF	X	X	X	Signal status input from ECM
Tail & clear request	TAIL & CLR REQ	ON/OFF	X	X	X	Signal status input from BCM
H/L LO request	HL LO REQ	ON/OFF	X	X	X	Signal status input from BCM
H/L HI request	HL HI REQ	ON/OFF	X	X	X	Signal status input from BCM
FR fog request	FR FOG REQ	ON/OFF	X	X	X	Signal status input from BCM
FR wiper request	FR WIP REQ	STOP/1LOW/LOW/HI	X	X	X	Signal status input from BCM
Wiper auto stop	WIP AUTO STOP	ACT P/STOP P	X	X	X	Output status of IPDM E/R
Wiper protection	WIP PROT	OFF/Block	X	X	X	Control status of IPDM E/R
Starter request	ST RLY REQ	ON/OFF	X		X	Status of input signal <sup>NOTE</sup>
Ignition relay status	IGN RLY	ON/OFF	X	X	X	Ignition relay status monitored with IPDM E/R
Rear defogger request	RR DEF REQ	ON/OFF	X	X	X	Signal status input from BCM
Oil pressure switch	OIL P SW	OPEN/CLOSE	X		X	Signal status input from IPDM E/R
Hood switch	HOOD SW	OFF	X			Signal status input from IPDM E/R (function is not enabled)
Theft warning horn request	THFT HRN REQ	ON/OFF	X		X	Signal status input from BCM
Horn chirp	HORN CHIRP	ON/OFF	X		X	Output status of IPDM E/R
Daytime running lamp request	DTRL REQ	ON/OFF	X		X	Signal status input from BCM

### NOTE:

Perform monitoring of IPDM E/R data with the ignition switch ON. When the ignition switch is in ACC position, display may not be correct.

## ACTIVE TEST

### Operation Procedure

1. Touch "ACTIVE TEST" on "SELECT DIAG-MODE" screen.
2. Touch item to be tested, and check operation.
3. Touch "START".
4. Touch "STOP" while testing to stop the operation.

Test name	CONSULT-II screen display	Description
Rear defogger output	REAR DEFOGGER	With a certain ON-OFF operation, the rear defogger relay can be operated.
Front wiper (HI, LO) output	FRONT WIPER	With a certain operation (OFF, HI ON, LO ON), the front wiper relay (Lo, Hi) can be operated.
Cooling fan output	MOTOR FAN	With a certain operation (1, 2, 3, 4), the cooling fan can be operated.

# IPDM E/R (INTELLIGENT POWER DISTRIBUTION MODULE ENGINE ROOM)

Test name	CONSULT-II screen display	Description
Lamp (HI, LO, TAIL, FOG) output	EXTERNAL LAMPS	With a certain operation (OFF, HI ON, LO ON, TAIL ON, FOG ON), the lamp relay (Low, High, Tail, Fog) can be operated.
Cornering lamp output	CORNERING LAMP	—
Horn output	HORN	With a certain ON-OFF operation, the horn relay can be operated.

## Auto Active Test DESCRIPTION

EKS00B6K

- In auto active test mode, operation inspection can be performed when IPDM E/R sends a drive signal to the following systems:
  - Rear window defogger
  - Front wipers
  - Tail and parking lamps
  - Front fog lamps
  - Headlamps (Hi, Lo)
  - A/C compressor (magnetic clutch)
  - Cooling fan

## OPERATION PROCEDURE

1. Close hood and front door RH, and lift wiper arms away from windshield (to prevent glass damage by wiper operation).

### NOTE:

When auto active test is performed with hood opened, sprinkle water on windshield beforehand.

2. Turn ignition switch OFF.
3. Turn ignition switch ON and, within 20 seconds, press front door switch LH 10 times. Then turn ignition switch OFF.
4. Turn ignition switch ON within 10 seconds after ignition switch OFF.
5. When auto active test mode is actuated, horn chirps once.
6. After a series of operations is repeated three times, auto active test is completed.

### NOTE:

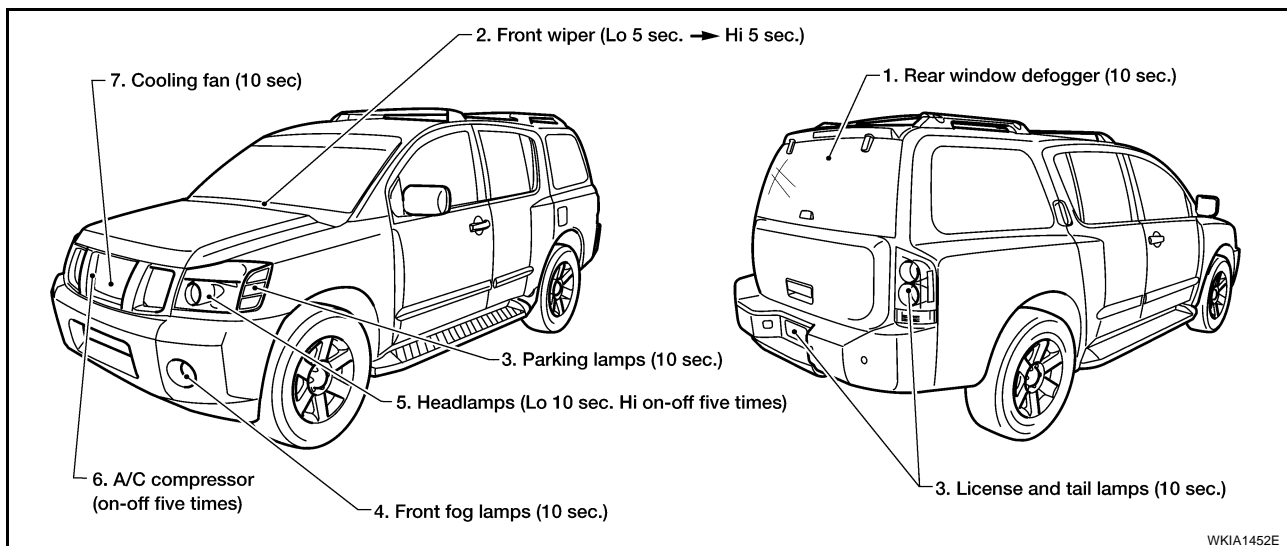
When auto active test mode has to be cancelled halfway, turn ignition switch OFF.

### CAUTION:

Be sure to perform [BL-28, "Door Switch Check"](#) when the auto active test cannot be performed.

## INSPECTION IN AUTO ACTIVE TEST MODE

- When auto active test mode is actuated, the following seven steps are repeated three times.



WKIA1452E

# IPDM E/R (INTELLIGENT POWER DISTRIBUTION MODULE ENGINE ROOM)

## Concept of Auto Active Test

- IPDM E/R actuates auto active test mode when it receives door switch signal from BCM via CAN communication line. Therefore, when auto active test mode is activated successfully, CAN communication between IPDM E/R and BCM is normal.
- If any of the systems controlled by IPDM E/R cannot be operated, possible cause can be easily diagnosed using auto active test.

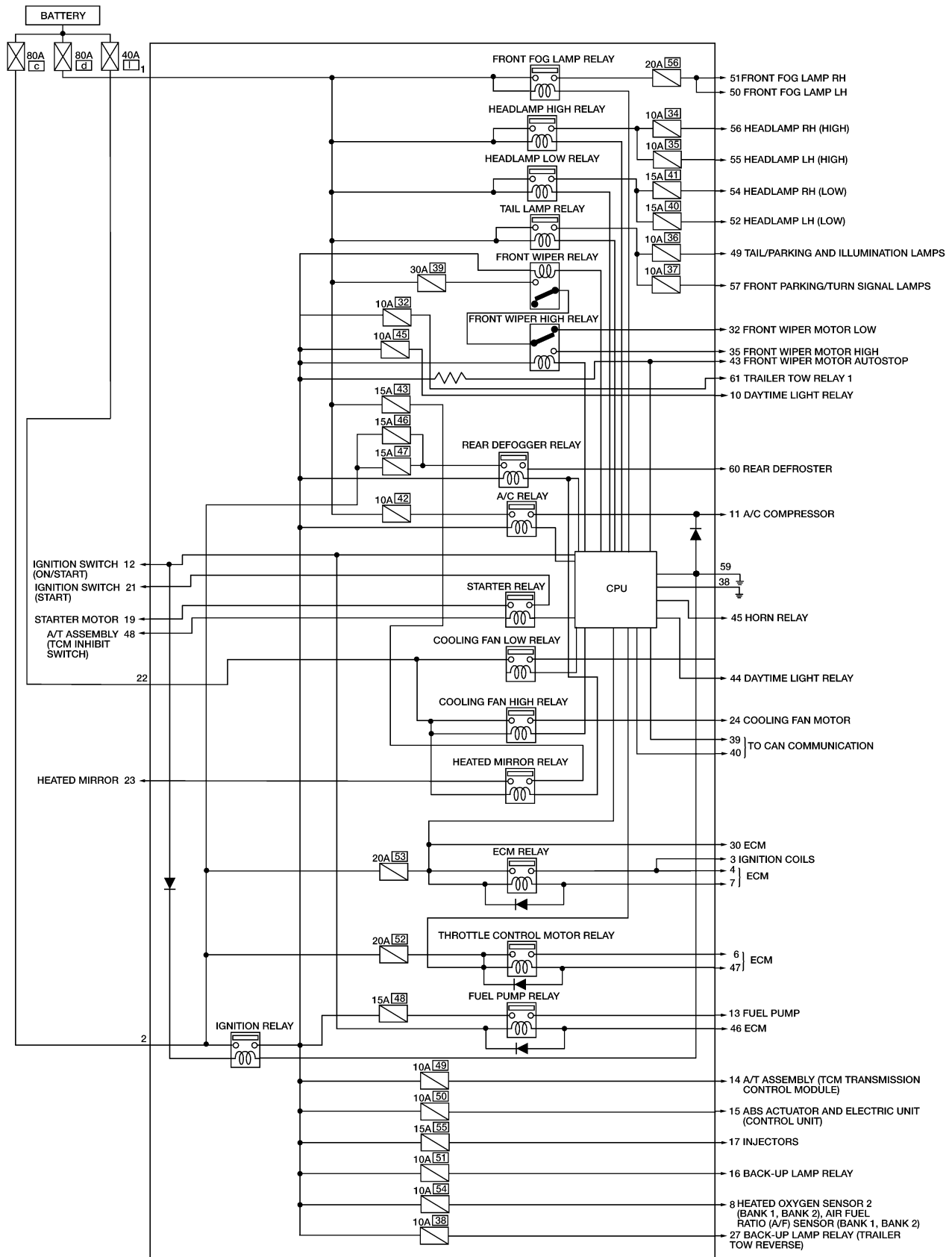
Diagnosis chart in auto active test mode

Symptom	Inspection contents	Possible cause	
Rear window defogger does not operate.	Perform auto active test. Does rear window defogger operate?	YES	● BCM signal input circuit
		NO	<ul style="list-style-type: none"> <li>● Rear window defogger relay</li> <li>● Open circuit of rear window defogger</li> <li>● IPDM E/R malfunction</li> <li>● Harness or connector malfunction between IPDM E/R and rear window defogger</li> </ul>
Any of front wipers, tail and parking lamps, front fog lamps, and headlamps (Hi, Lo) do not operate.	Perform auto active test. Does system in question operate?	YES	● BCM signal input system
		NO	<ul style="list-style-type: none"> <li>● Lamp/wiper motor malfunction</li> <li>● Lamp/wiper motor ground circuit malfunction</li> <li>● Harness/connector malfunction between IPDM E/R and system in question</li> <li>● IPDM E/R (integrated relay) malfunction</li> </ul>
A/C compressor does not operate.	Perform auto active test. Does magnetic clutch operate?	YES	<ul style="list-style-type: none"> <li>● BCM signal input circuit</li> <li>● CAN communication signal between BCM and ECM</li> <li>● CAN communication signal between ECM and IPDM E/R</li> </ul>
		NO	<ul style="list-style-type: none"> <li>● Magnetic clutch malfunction</li> <li>● Harness/connector malfunction between IPDM E/R and magnetic clutch</li> <li>● IPDM E/R (integrated relay) malfunction</li> </ul>
Cooling fan does not operate.	Perform auto active test. Does cooling fan operate?	YES	<ul style="list-style-type: none"> <li>● ECM signal input circuit</li> <li>● CAN communication signal between ECM and IPDM E/R</li> </ul>
		NO	<ul style="list-style-type: none"> <li>● Cooling fan motor malfunction</li> <li>● Harness/connector malfunction between IPDM E/R and cooling fan motor</li> <li>● IPDM E/R (integrated relay) malfunction</li> </ul>
Oil pressure warning lamp does not operate.	Perform auto active test. Does oil pressure warning lamp blink?	YES	<ul style="list-style-type: none"> <li>● Harness/connector malfunction between IPDM E/R and oil pressure switch</li> <li>● Oil pressure switch malfunction</li> <li>● IPDM E/R</li> </ul>
		NO	<ul style="list-style-type: none"> <li>● CAN communication signal between BCM and combination meter</li> <li>● Combination meter</li> </ul>

# IPDM E/R (INTELLIGENT POWER DISTRIBUTION MODULE ENGINE ROOM)

## Schematic

EKS00B6L



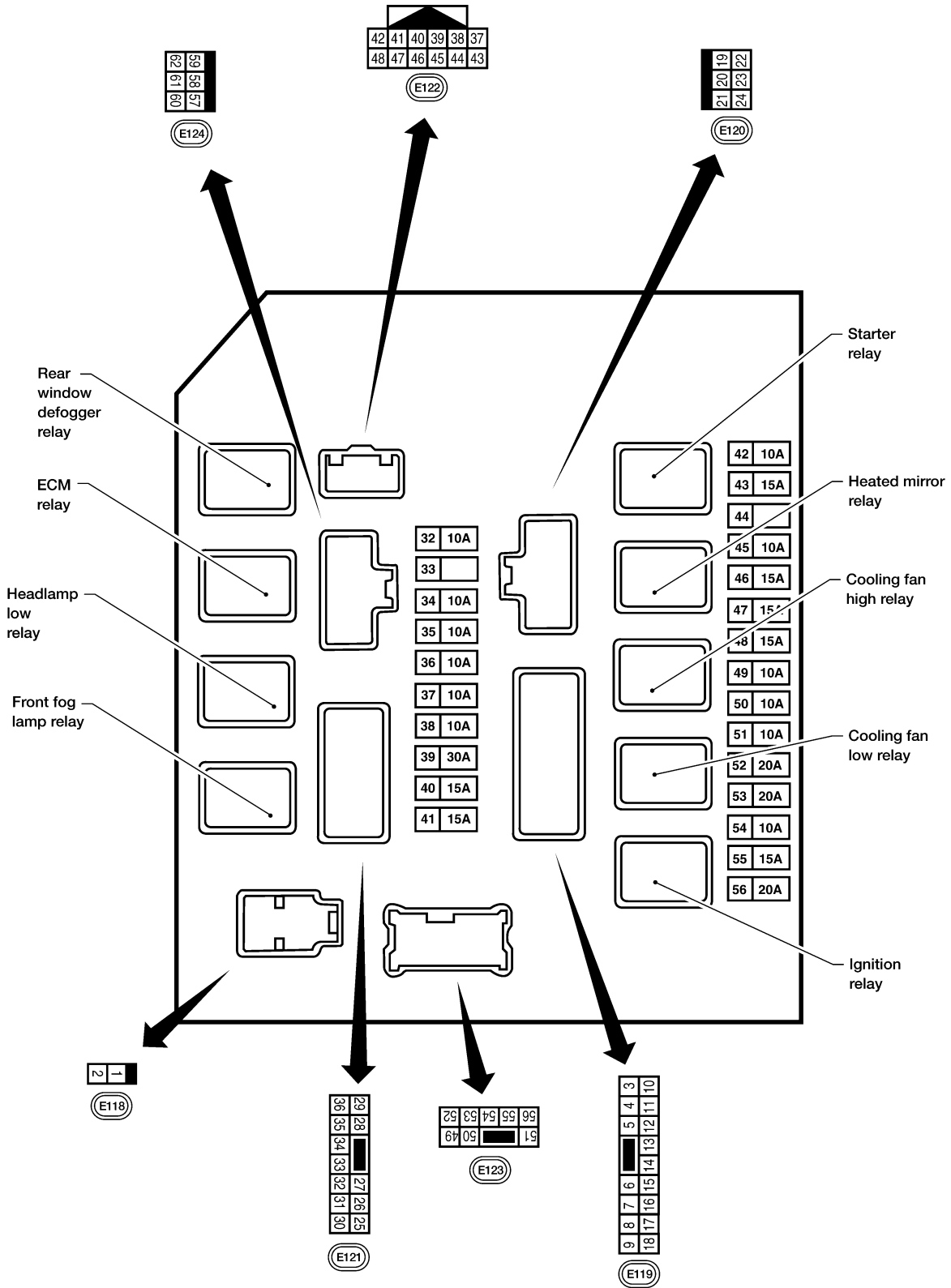
WKWA2644E



# IPDM E/R (INTELLIGENT POWER DISTRIBUTION MODULE ENGINE ROOM)

## IPDM E/R Terminal Arrangement

EKS00B6M



A  
B  
C  
D  
E  
F  
G  
H  
I  
J  
PG  
L  
M

# IPDM E/R (INTELLIGENT POWER DISTRIBUTION MODULE ENGINE ROOM)

EKS00B6N

## IPDM E/R Power/Ground Circuit Inspection

### 1. FUSE AND FUSIBLE LINK INSPECTION

Check that the following fusible links or IPDM E/R fuses are not blown.

Terminal No.	Signal name	Fuse, fusible link No.
1, 2, 22	Battery power	a, c, d, e, l

OK or NG

- OK >> GO TO 2.
- NG >> Replace fuse or fusible link.

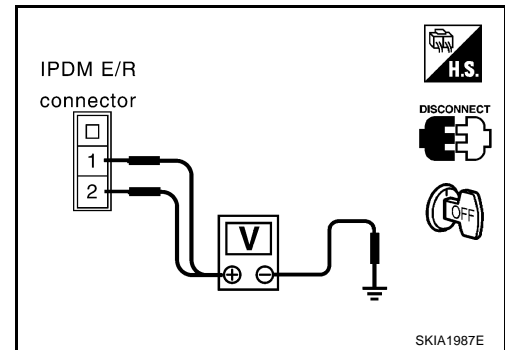
### 2. POWER CIRCUIT INSPECTION

1. Disconnect IPDM E/R harness connector E118.
2. Check voltage between IPDM E/R harness connector E118 terminals 1 (B/Y), 2 (R) and ground.

**Battery voltage should exist.**

OK or NG

- OK >> GO TO 3.
- NG >> Repair or replace IPDM E/R power circuit harness.



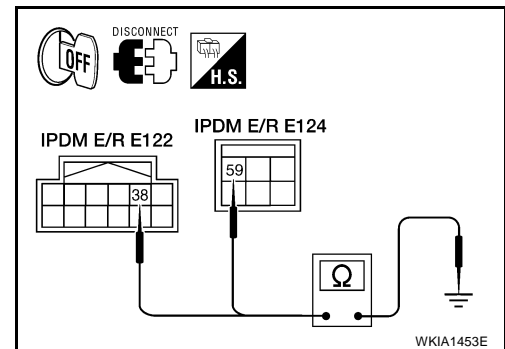
### 3. GROUND CIRCUIT INSPECTION

1. Disconnect IPDM E/R harness connectors E122 and E124.
2. Check continuity between IPDM E/R harness connector E122 terminal 38 (B), and E124 terminal 59 (B) and ground.

**Continuity should exist.**

OK or NG

- OK >> Inspection End.
- NG >> Repair or replace ground circuit harness of IPDM E/R.



## Inspection with CONSULT-II (Self-Diagnosis)

**CAUTION:**

If a CONSULT-II is used with no connection of CONSULT-II CONVERTER, malfunctions might be detected in self-diagnosis depending on which control unit(s) carry out CAN communication.

### 1. SELF-DIAGNOSIS RESULT CHECK

1. Connect CONSULT-II and select "IPDM E/R" on the Diagnosis System Selection screen.
2. Select "SELF-DIAG RESULTS" on the diagnosis mode selection screen.
3. Check display content in self-diagnosis results.

CONSULT-II Display	CONSULT-II display code	TIME		Details of diagnosis result
		CRNT	PAST	
NO DTC IS DETECTED. FURTHER TESTING MAY BE REQUIRED.	—	—	—	No malfunction
CAN COMM CIRC	U1000	X	X	Any of items listed below have errors: <ul style="list-style-type: none"> <li>● TRANSMIT DIAG</li> <li>● ECM</li> <li>● BCM/SEC</li> </ul>

**NOTE:**

The Details for Display for the Period are as follows:

- CRNT: Error currently detected by IPDM E/R.
- PAST: Error detected in the past and stored in IPDM E/R memory.

Contents displayed

NO DTC DETECTED. FURTHER TESTING MAY BE REQUIRED.>>INSPECTION END.

CAN COMM CIRC>>Print out the self-diagnosis result and refer to [LAN-5, "CAN COMMUNICATION"](#) .

A  
B  
C  
D  
E  
F  
G  
H  
I  
J  
L  
M

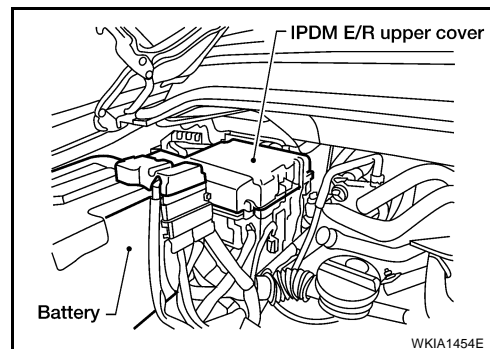
# IPDM E/R (INTELLIGENT POWER DISTRIBUTION MODULE ENGINE ROOM)

EKS00B6P

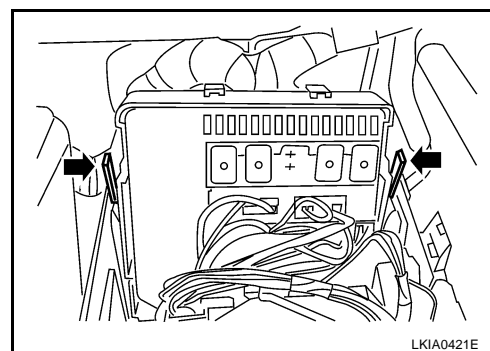
## Removal and Installation of IPDM E/R

### REMOVAL

1. Disconnect negative battery cable.
2. Remove IPDM E/R upper cover.



3. Release 2 clips and pull IPDM E/R up from case.
4. Disconnect IPDM E/R connectors and remove the IPDM E/R.



### INSTALLATION

Installation is in the reverse order of removal.

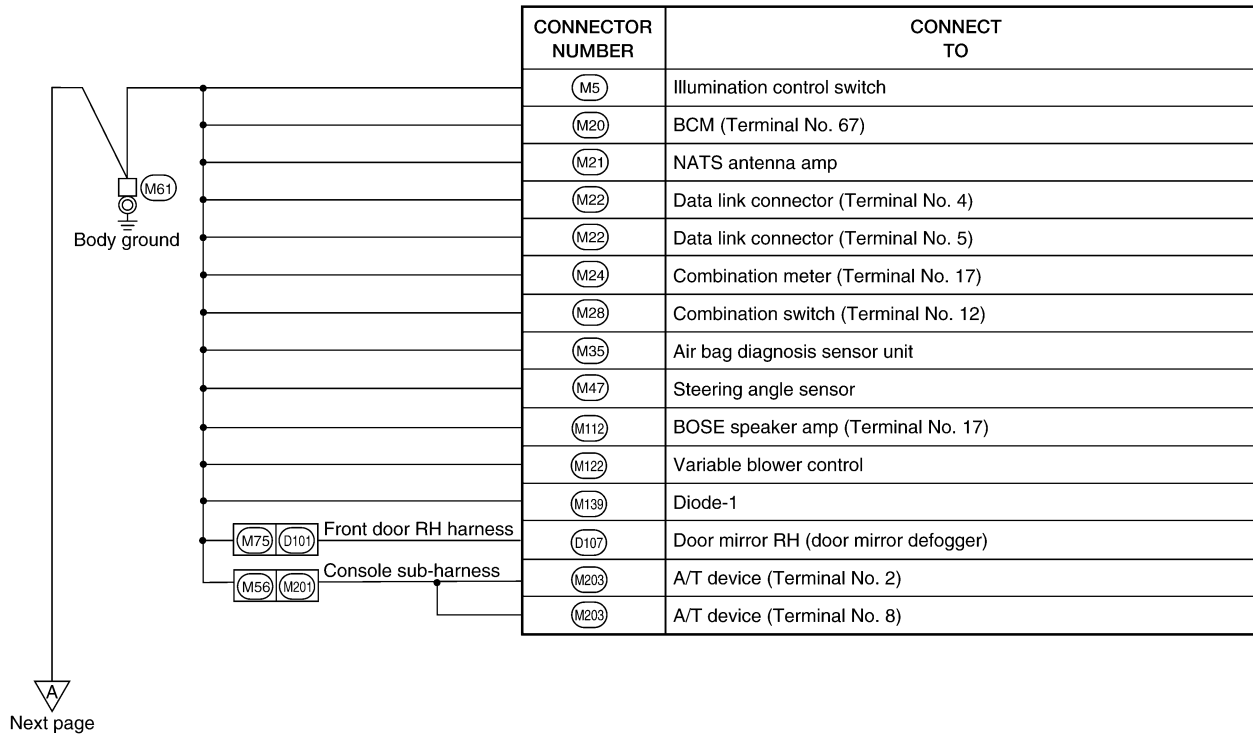
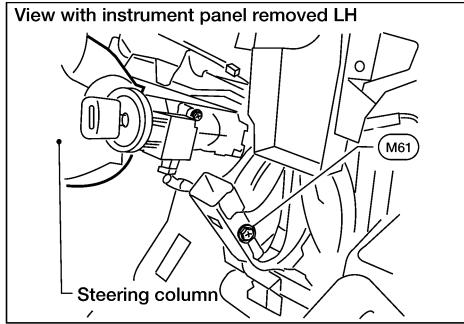
# GROUND CIRCUIT

PF24080

EKS00B6Q

## GROUND CIRCUIT

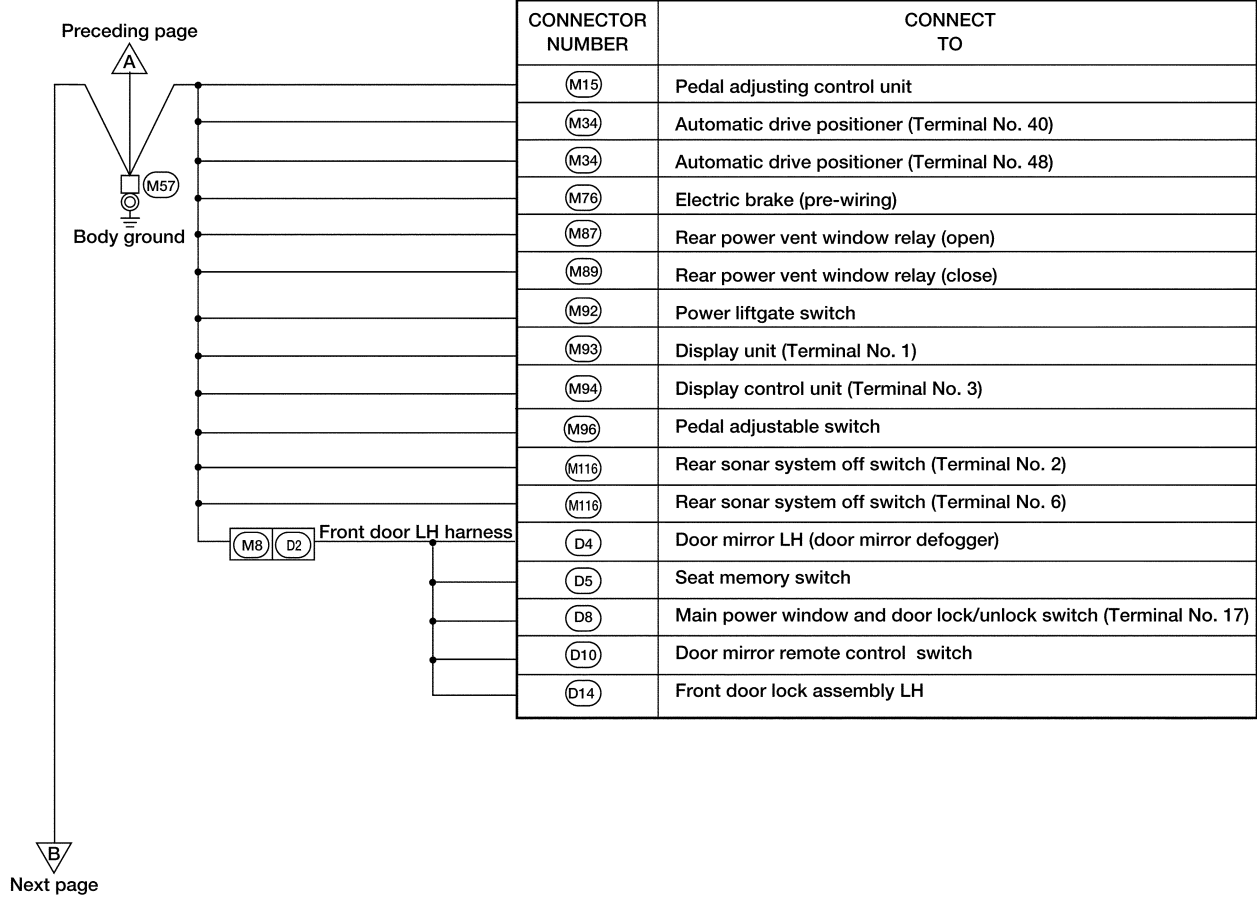
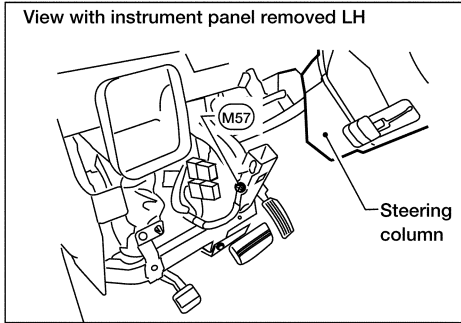
### Ground Distribution MAIN HARNESS



A  
B  
C  
D  
E  
F  
G  
H  
I  
J  
PG  
L  
M

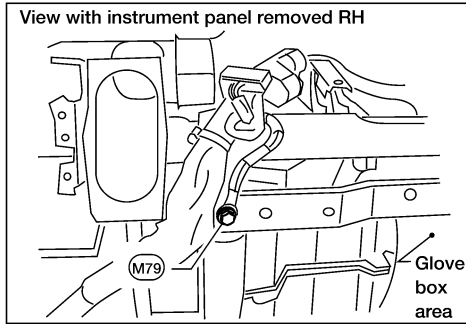
WKIA5097E

# GROUND CIRCUIT

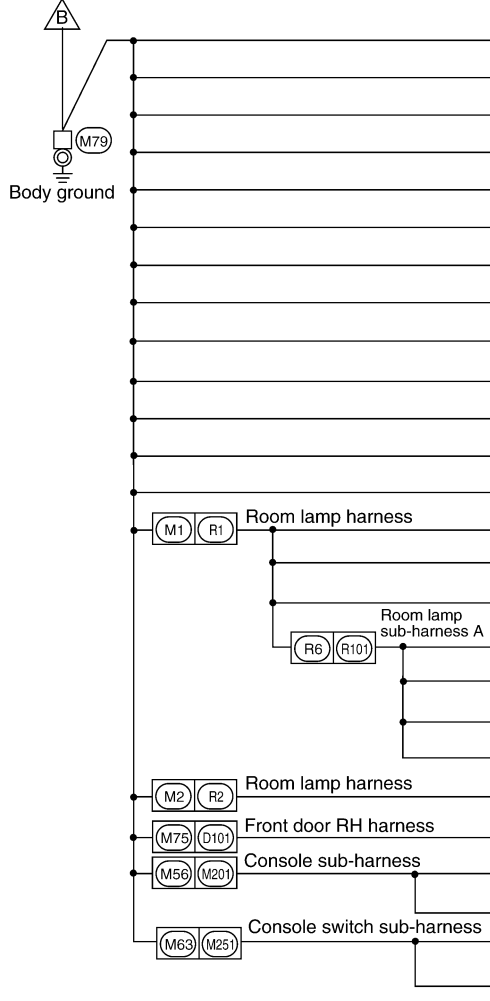


WKIA5137E

# GROUND CIRCUIT



Preceding page



CONNECTOR NUMBER	CONNECT TO
(M3)	Fuse block J/B
(M13)	Front passenger air bag off indicator
(M49)	Front air control (Terminal No.1)
(M52)	Rear blower switch (front)
(M53)	Front power socket LH
(M54)	Front power socket RH (for cigarette lighter)
(M55)	Hazard switch
(M59)	Glove box lamp
(M67)	Tow mode switch (Terminal No. 2)
(M67)	Tow mode switch (Terminal No. 6)
(M81)	Shift lock control unit
(M98)	AV switch
(M148)	VDC OFF switch
(R3)	Vanity lamp LH
(R7)	Auto anti-dazzling inside mirror
(R8)	Vanity lamp RH
(R102)	Front room/map lamp assembly
(R103)	Rear power vent window switch
(R105)	Compass and thermometer
(R106)	Homelink universal transceiver
(R4)	Sunroof motor
(D105)	Power window and door lock/unlock switch RH
(M206)	DVD player (Terminal No. 22)
(M207)	Console power socket
(M252)	Front heated seat switch RH
(M255)	Front heated seat switch LH

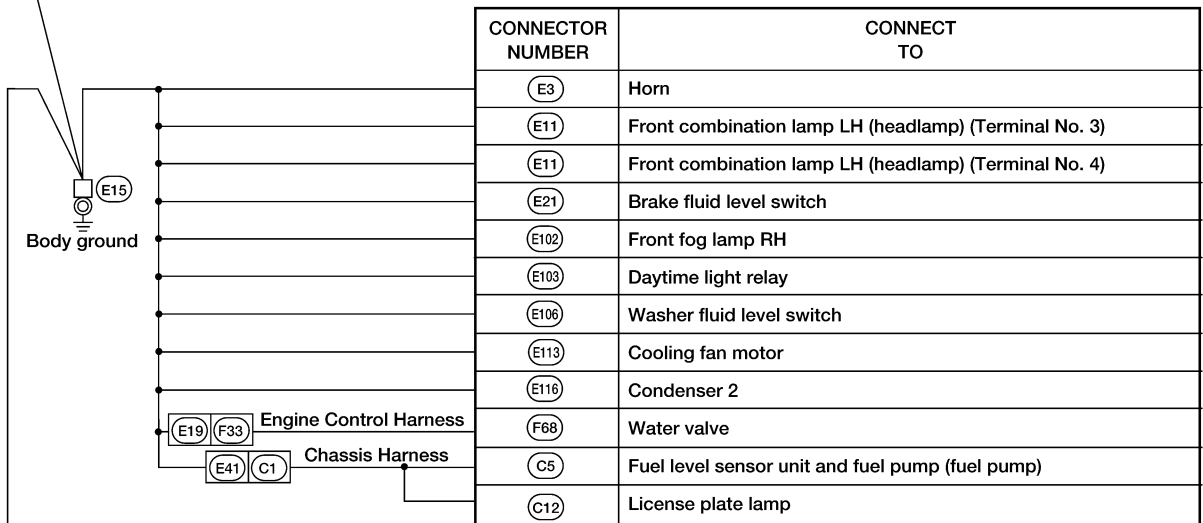
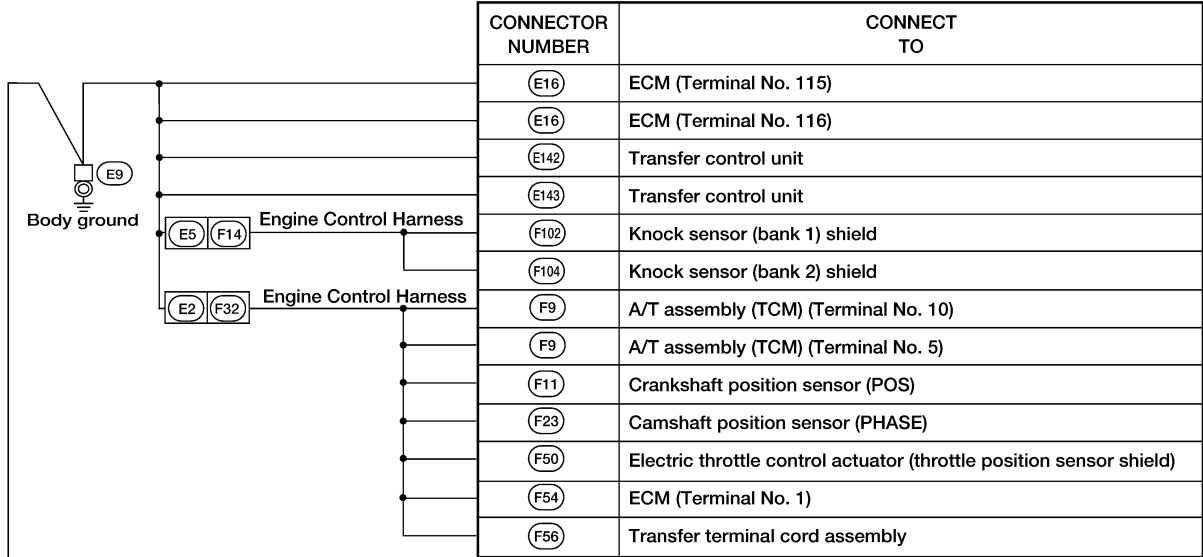
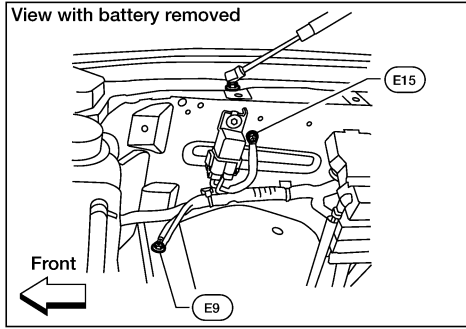
A  
B  
C  
D  
E  
F  
G  
H  
I  
J  
L  
M

PG

WKIA5098E

# GROUND CIRCUIT

## ENGINE ROOM HARNESS

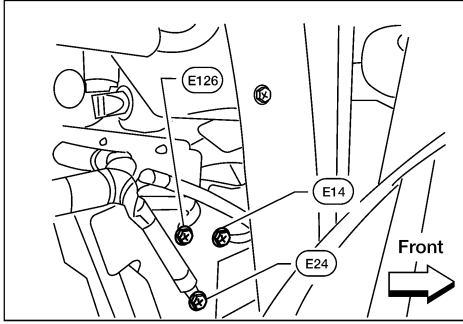


Next page

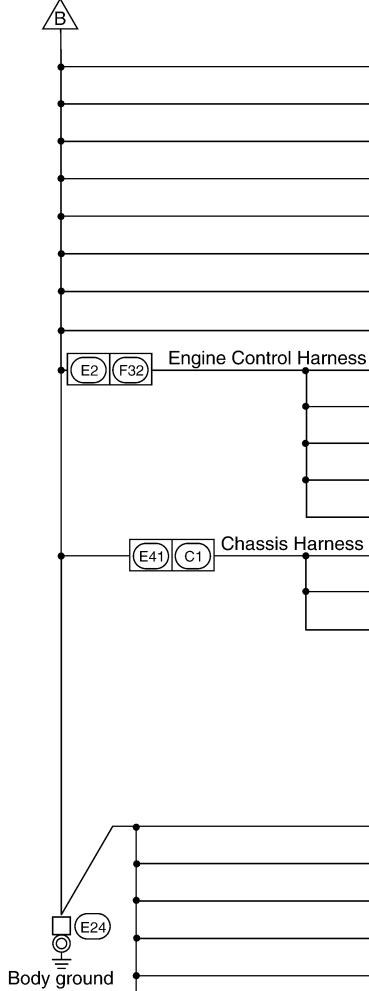
WKIA3678E



# GROUND CIRCUIT



Preceding page



CONNECTOR NUMBER	CONNECT TO
(E46)	Transfer shift high relay (Terminal No. 1)
(E46)	Transfer shift high relay (Terminal No. 4)
(E47)	Transfer shift low relay (Terminal No. 1)
(E47)	Transfer shift low relay (Terminal No. 4)
(E130)	Compressor motor relay
(E140)	Trailer tow relay 2
(E148)	Trailer tow relay 1
(E142)	Transfer control unit (Terminal No. 3)
(F55)	ATP switch
(F57)	Transfer motor
(F58)	Transfer control device (actuator position switch) (Terminal No. 22)
(F59)	Wait detection switch
(F60)	Neutral-4LO switch
(C2)	Trailer
(C9)	Suspension air compressor (Terminal No. 1)
(C9)	Suspension air compressor (Terminal No. 3)

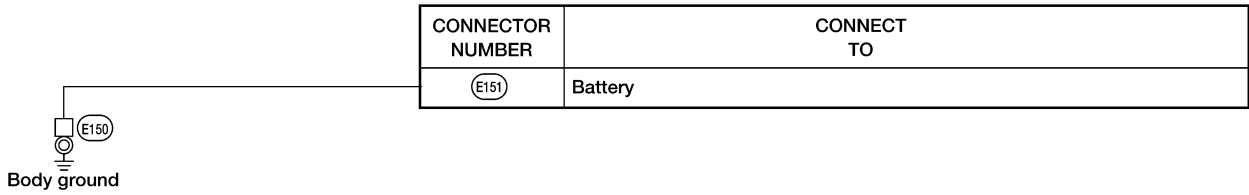
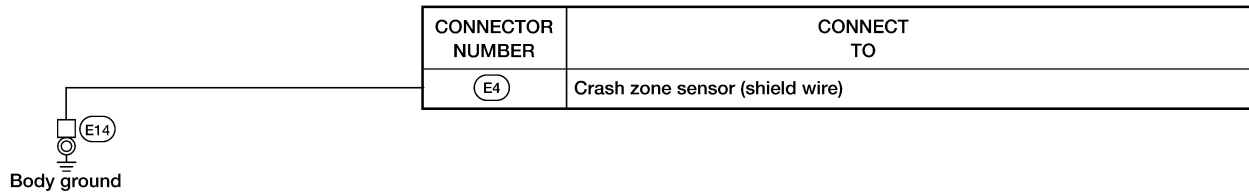
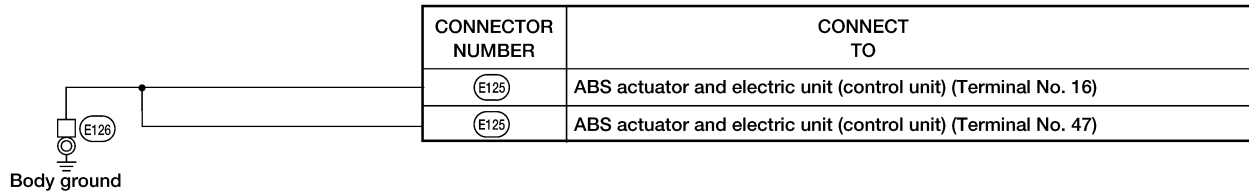
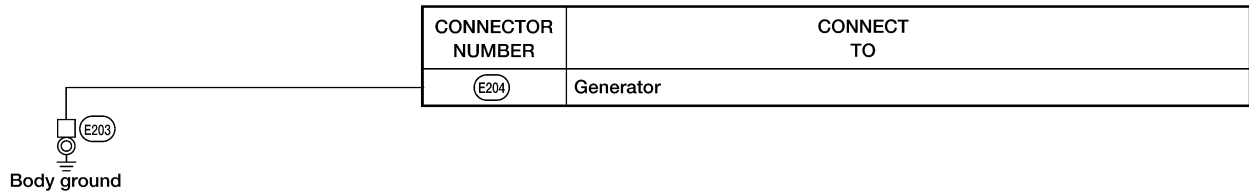
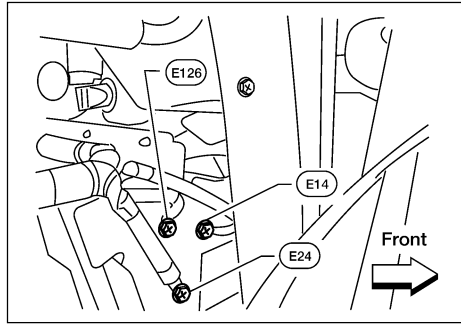
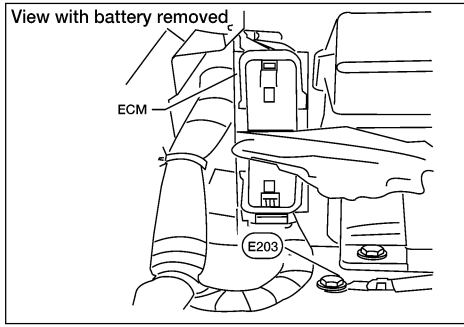
CONNECTOR NUMBER	CONNECT TO
(E107)	Front combination lamp RH (headlamp) (Terminal No. 3)
(E107)	Front combination lamp RH (headlamp) (Terminal No. 4)
(E23)	Front wiper motor
(E101)	Front fog lamp LH
(E122)	IPDM E/R
(E124)	IPDM E/R

A  
B  
C  
D  
E  
F  
G  
H  
I  
J  
L  
M

PG

WKIA3679E

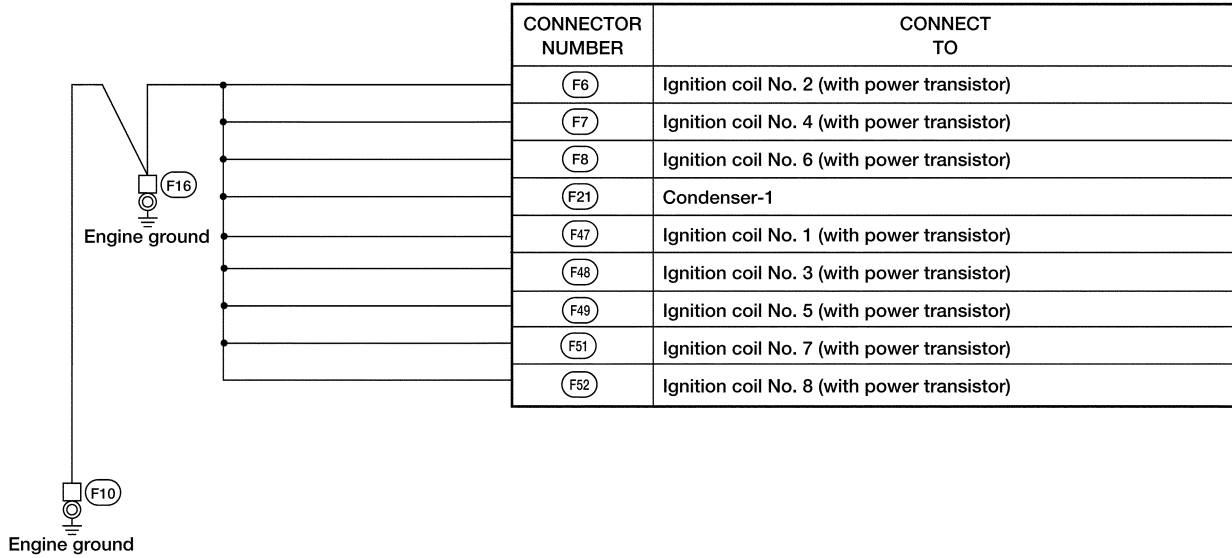
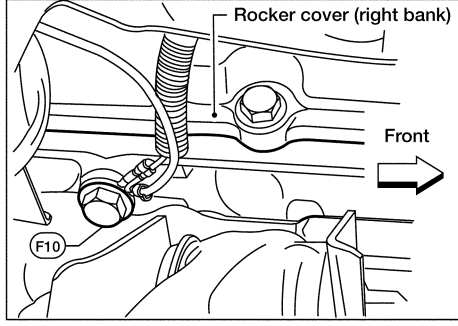
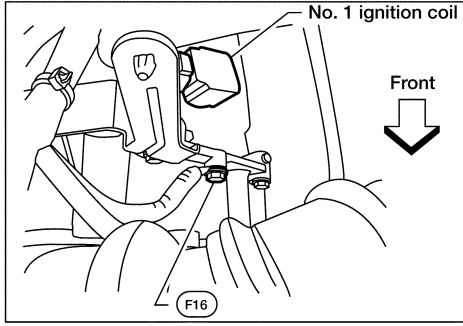
# GROUND CIRCUIT



WKIA3680E

# GROUND CIRCUIT

## ENGINE CONTROL HARNESS

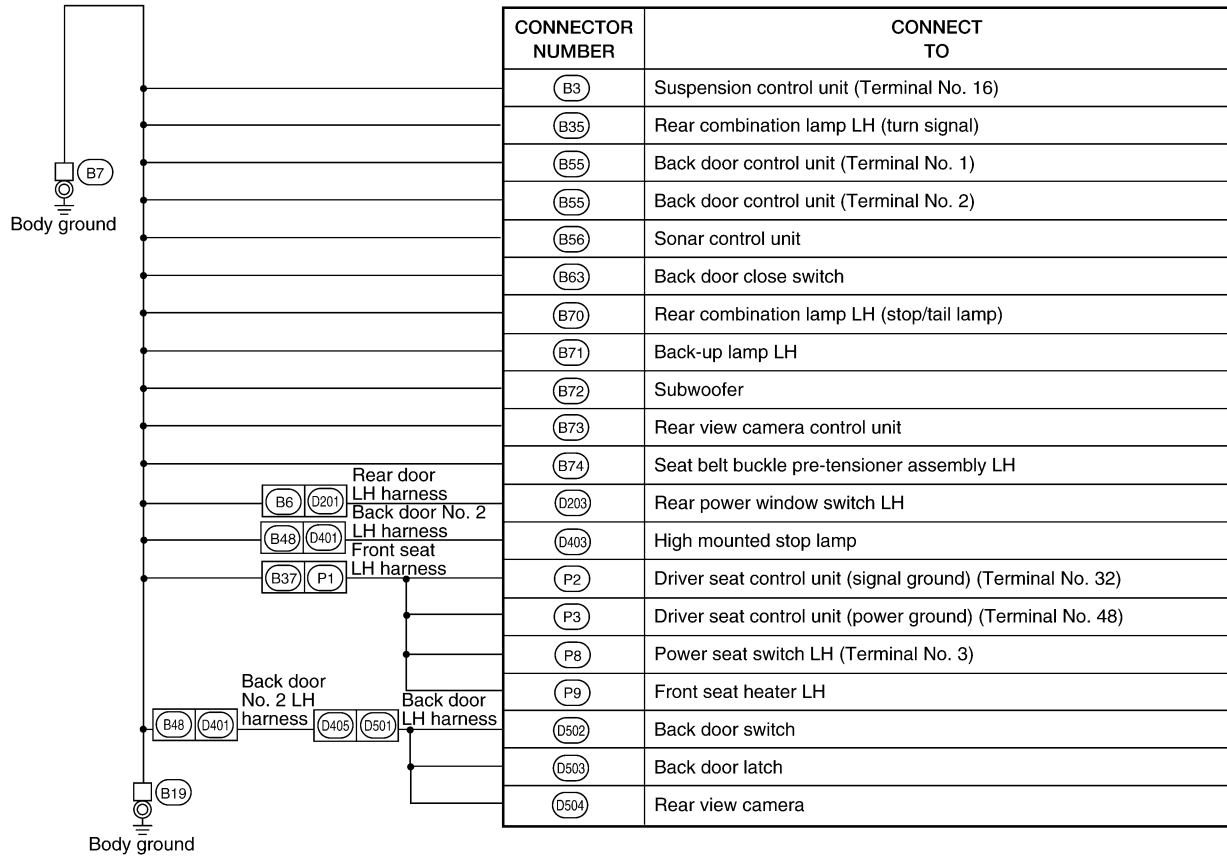
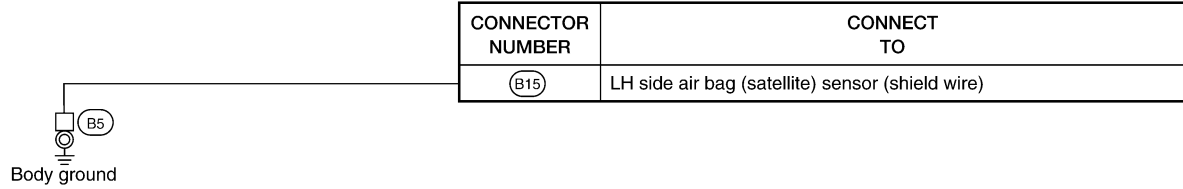
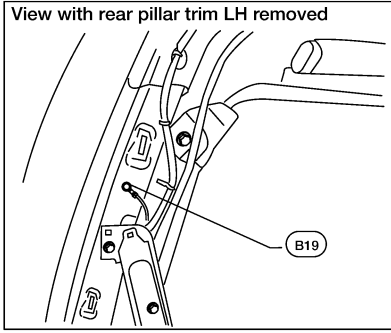
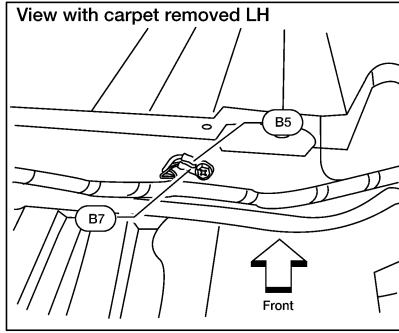


A  
B  
C  
D  
E  
F  
G  
H  
I  
J  
PG  
L  
M

WKIA5099E

# GROUND CIRCUIT

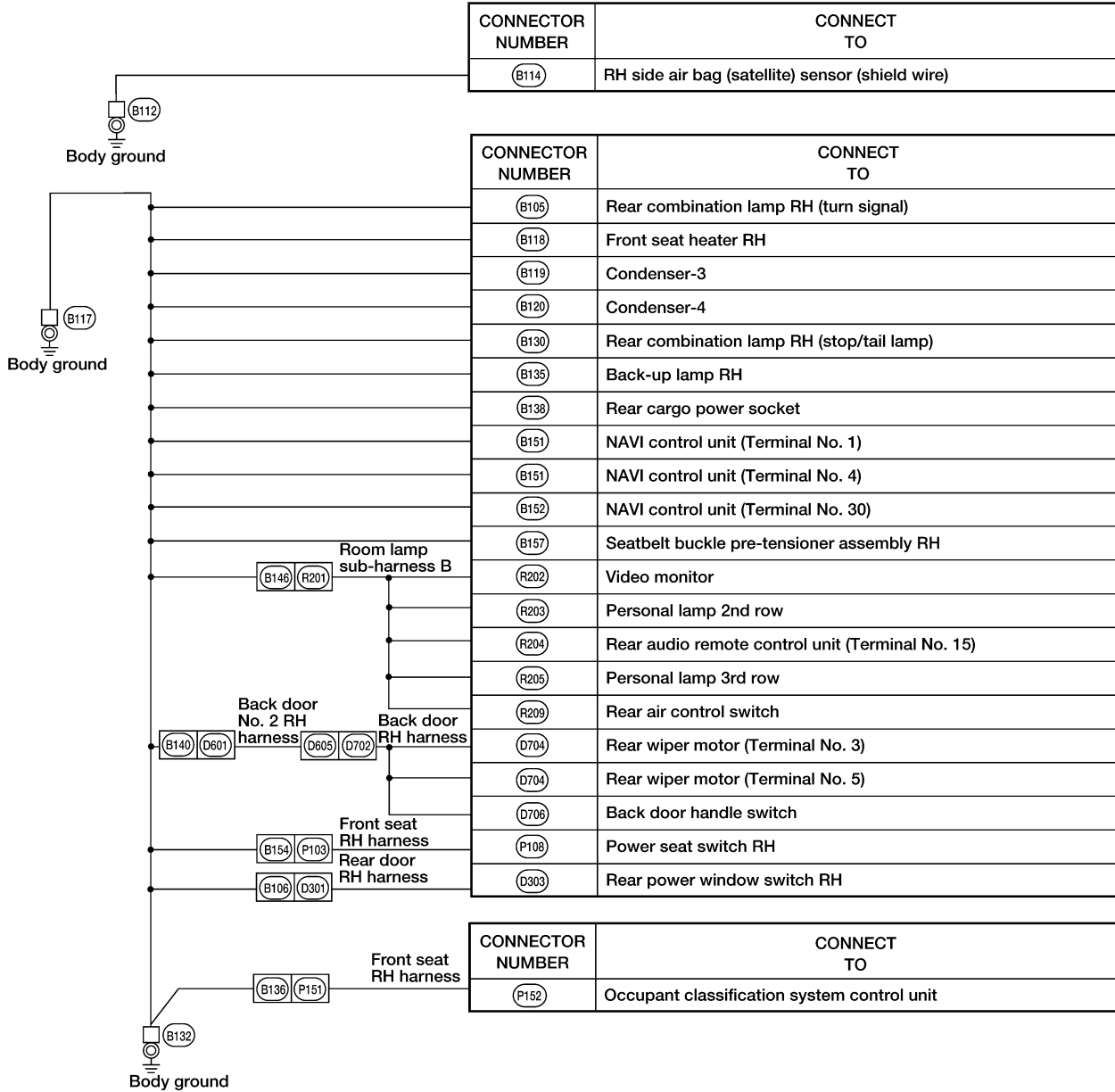
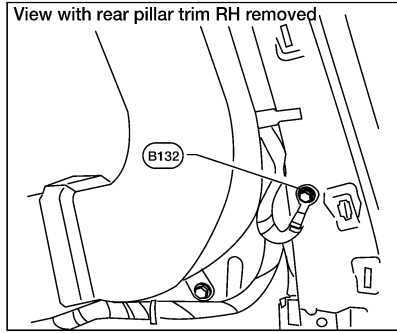
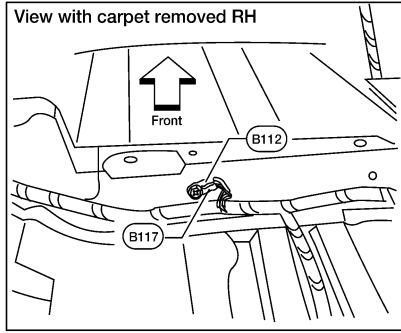
## BODY HARNESS



WKIA3681E

# GROUND CIRCUIT

## BODY NO. 2 HARNESS



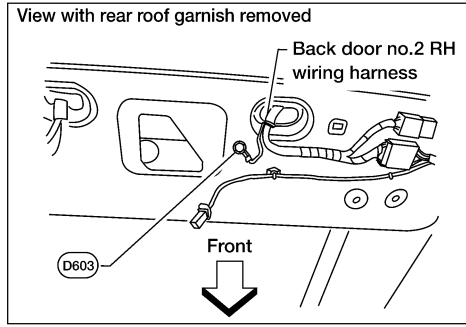
A  
B  
C  
D  
E  
F  
G  
H  
I  
J  
L  
M

PG

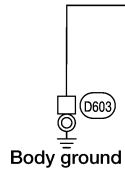
WKIA3682E

# GROUND CIRCUIT

## BACK DOOR NO. 2 RH HARNESS



CONNECTOR NUMBER	CONNECT TO
D604	Rear window defogger



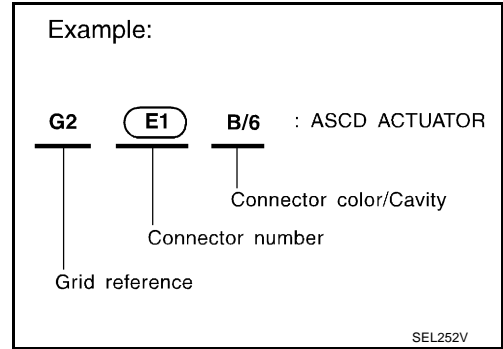
## HARNESS

### Harness Layout

#### HOW TO READ HARNESS LAYOUT

The following Harness Layouts use a map style grid to help locate connectors on the drawings:

- Main Harness, Console Sub-harness, Console Switch Sub-harness and Optical Sensor Sub-harness
- Engine Room Harness LH View (Engine Compartment)
- Engine Room Harness RH View (Engine Compartment) and Generator Sub-harness
- Engine Control Harness and Engine Control Sub-harness
- Chassis Harness and Rear Sonar Sensor Sub-harness
- Body Harness
- Body No. 2 Harness



#### To use the grid reference

1. Find the desired connector number on the connector list.
2. Find the grid reference.
3. On the drawing, find the crossing of the grid reference letter column and number row.
4. Find the connector number in the crossing zone.
5. Follow the line (if used) to the connector.

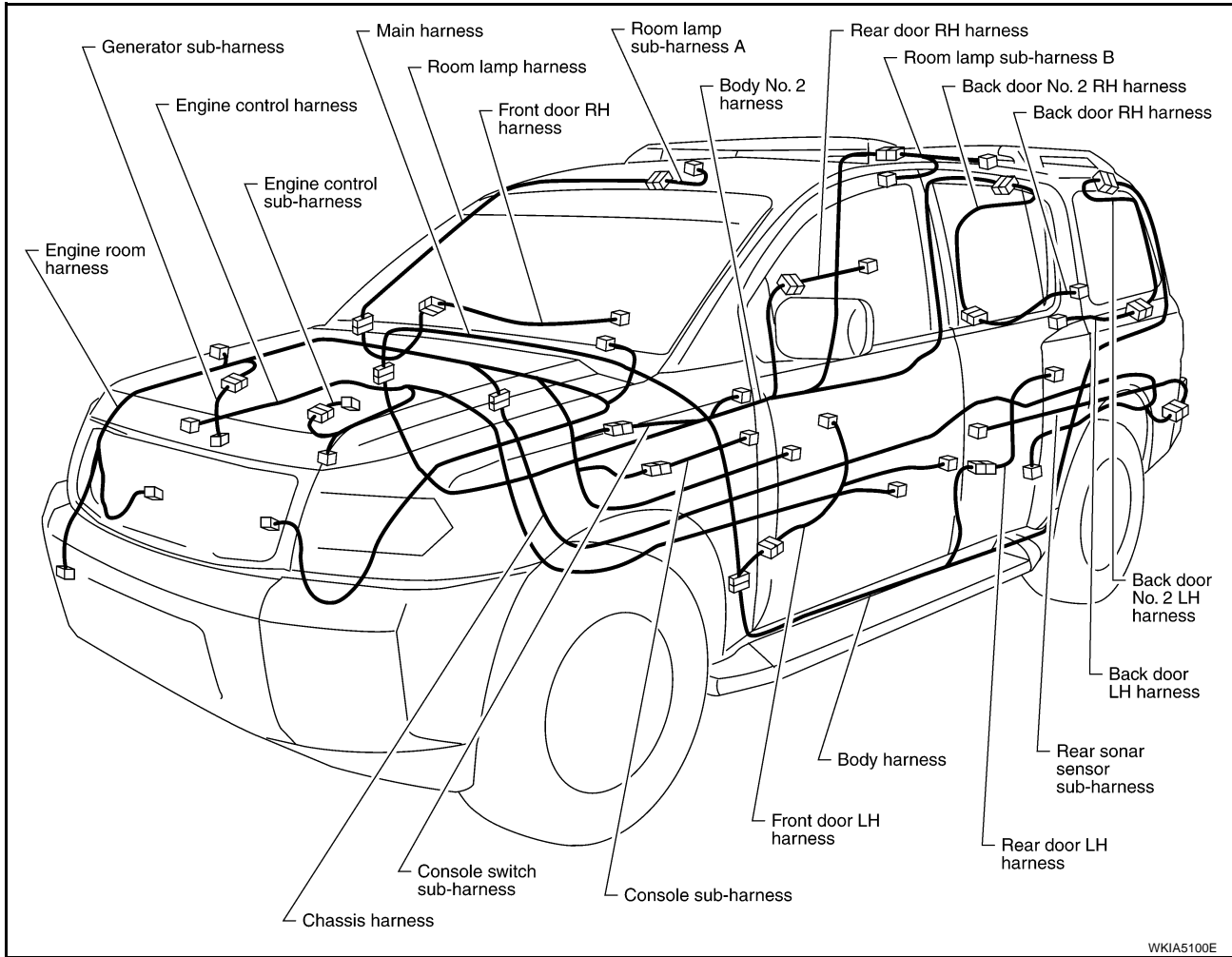
#### CONNECTOR SYMBOL

Main symbols of connector (in Harness Layout) are indicated below.

Connector type	Water proof type		Standard type	
	Male	Female	Male	Female
<ul style="list-style-type: none"> <li>● Cavity: 4 or Less</li> <li>● Relay connector</li> </ul>				
<ul style="list-style-type: none"> <li>● Cavity: From 5 to 8</li> </ul>				
<ul style="list-style-type: none"> <li>● Cavity: 9 or More</li> </ul>				
<ul style="list-style-type: none"> <li>● Ground terminal etc.</li> </ul>	—			

# HARNESS

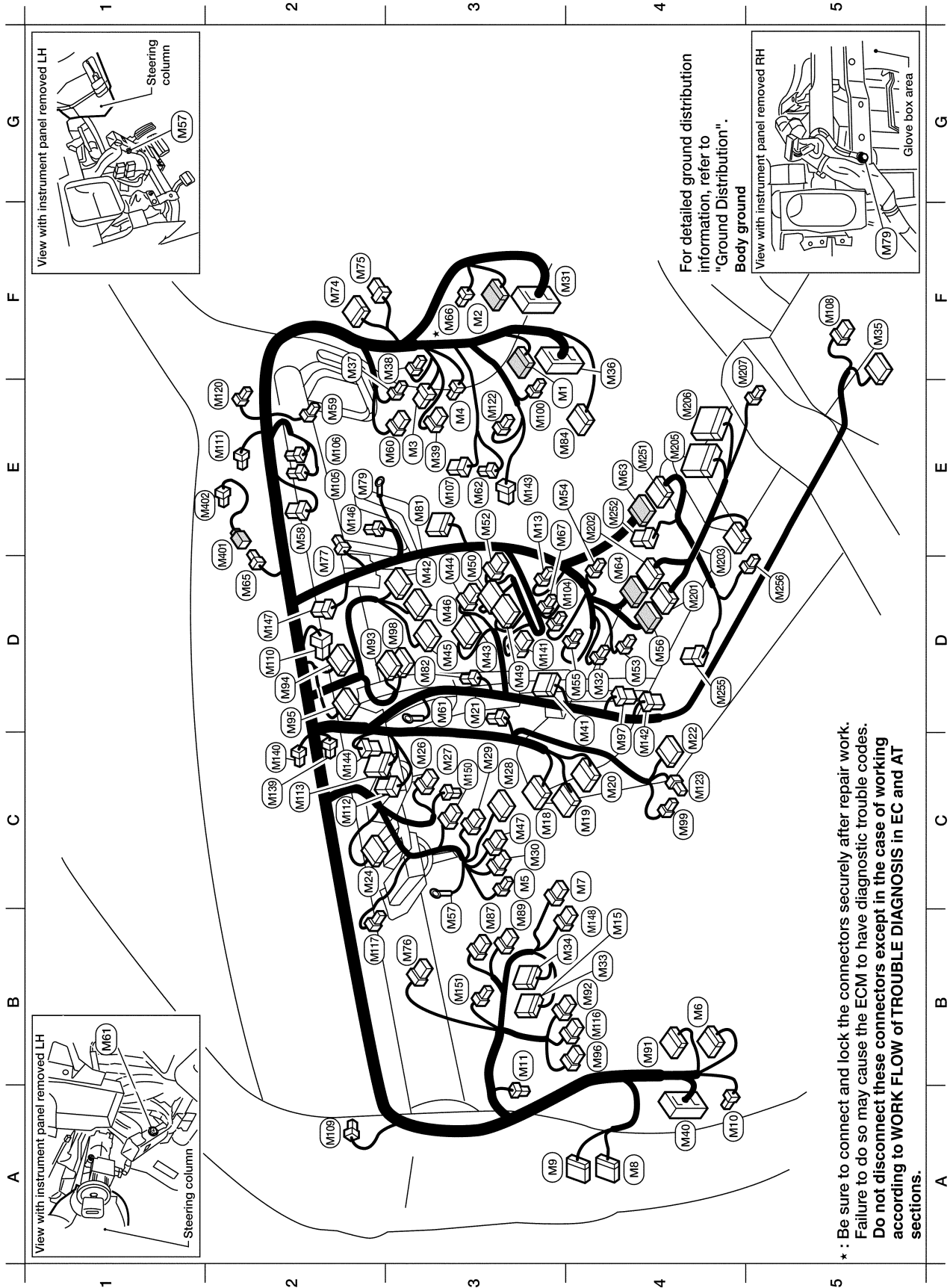
## OUTLINE





# HARNESS

## MAIN HARNESS



View with instrument panel removed LH  
Steering column  
(M57)

View with instrument panel removed RH  
Glove box area  
(M79)

View with instrument panel removed LH  
Steering column  
(M61)

\* : Be sure to connect and lock the connectors securely after repair work. Failure to do so may cause the ECM to have diagnostic trouble codes. Do not disconnect these connectors except in the case of working according to WORK FLOW of TROUBLE DIAGNOSIS in EC and AT sections.

WKIA5107E

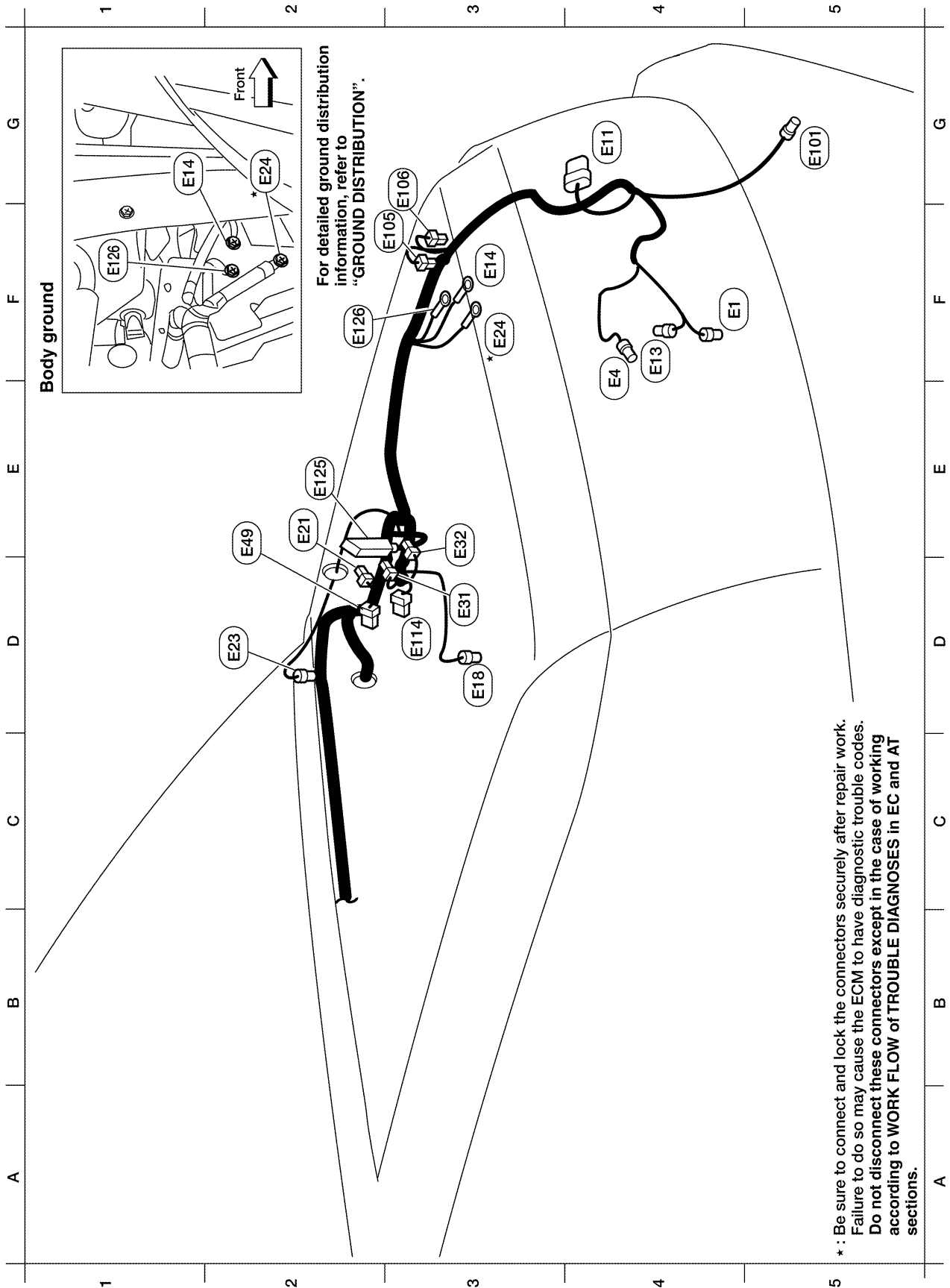
# HARNESS

E4	(M1)	W/16	: To (R1)	D3	(M49)	B/26	: Front air control	E2	(M106)	O/2	: Front passenger air bag module		
F3	(M2)	W/12	: To (R2)	D3	(M50)	W/18	: Front air control	E3	(M107)	BR/6	: Front blower motor relay		
E3	(M3)	W/8	: Fuse block (J/B)	E3	(M52)	W/8	: Rear blower switch (front)	F5	(M108)	B/6	: Yaw rate/side decel G-sensor		
E3	(M4)	W/16	: Fuse block (J/B)	D4	(M53)	B/2	: Front power socket LH	A2	(M109)	BR/2	: Front tweeter LH		
C3	(M5)	W/3	: Illumination control switch	E3	(M54)	B/2	: Front power socket RH (for cigarette lighter)	D2	(M110)	BR/2	: Center speaker (with BOSE)		
B4	(M6)	W/10	: To E10	D4	(M55)	W/8	: Hazard switch	E2	(M111)	BR/2	: Front tweeter RH		
B4	(M7)	L/5	: Water valve relay	D4	(M56)	W/16	: To (M20)	C2	(M112)	W/8	: BOSE speaker amp.		
A4	(M8)	BR/24	: To (D2)	B3	(M57)	-	: Body ground	C2	(M113)	L/24	: BOSE speaker amp.		
A4	(M9)	Y/4	: To (E29)	E2	(M58)	B/6	: Intake door motor	B4	(M116)	GR/8	: Rear sonar system OFF switch		
A4	(M10)	B/1	: Parking brake switch	E2	(M59)	BR/2	: Glove box lamp	B3	(M117)	B/2	: Sonar buzzer		
B3	(M11)	W/3	: Front passenger air bag off indicator	E3	(M60)	W/6	: Fuse block (J/B)	E2	(M120)	W/4	: Remote keyless entry receiver		
E3	(M13)	W/16	: Pedal adjusting control unit	D3	(M61)	-	: Body ground	E3	(M122)	B/4	: Variable blower control (ATC)		
B4	(M15)	W/40	: BCM (body control module)	E3	(M62)	B/2	: Front blower motor	C4	(M123)	W/2	: Tire pressure warning check connector		
C3	(M19)	W/15	: BCM (body control module)	E3	(M63)	BR/20	: To (M25)	C2	(M139)	B/2	: Diode-1		
C4	(M20)	B/15	: BCM (body control module)	E4	(M64)	BR/24	: To (M22)	C2	(M140)	B/2	: Diode-2		
C4	(M21)	W/4	: NATS antenna amplifier	D2	(M65)	W/4	: To (M40)	D3	(M141)	W/8	: 4WD shift switch		
C4	(M22)	W/16	: Data link connector	F3	(M66)	B/1	: To (E33)	C4	(M142)	B/6	: Mode door motor		
C2	(M24)	W/40	: Combination meter	D4	(M67)	GR/8	: Tow mode switch	E3	(M143)	B/6	: Air mix door motor (passenger)		
C3	(M26)	W/6	: Ignition switch	F2	(M74)	W/8	: To (D10)	C2	(M144)	B/6	: Defroster door motor		
C3	(M27)	W/4	: Key switch and key lock solenoid	F2	(M75)	W/6	: Electric brake (pre-wiring)	E2	(M146)	W/2	: Intake sensor		
C3	(M28)	W/16	: Combination switch	B3	(M76)	Y/4	: Front passenger air bag module (service replacement)	D2	(M147)	B/6	: Air mix door motor (driver) (with ATC)		
C3	(M29)	Y/6	: Combination switch (spiral cable)	D2	(M77)	-	: Body ground	D2	(M147)	B/6	: Air mix door motor (front) (with MTC)		
C3	(M30)	GR/8	: Combination switch (spiral cable)	E2	(M79)	-	: Body ground	B4	(M148)	GR/6	: VDC off switch		
F4	(M31)	SMJ	: To (E152)	E3	(M81)	GR/10	: Shift lock control unit	C3	(M150)	W/2	: Ignition keyhole illumination		
D4	(M32)	W/4	: In-vehicle sensor	D3	(M82)	GR/2	: Circuit breaker-2	<b>Console sub-harness</b>					
B4	(M33)	W/32	: Automatic drive positioner control unit	E4	(M84)	W/16	: To (E10)	D4	(M20)	W/16	: To (M56)		
B4	(M34)	W/16	: Automatic drive positioner control unit	B3	(M87)	B/5	: Rear power vent window relay (open)	E4	(M202)	BR/24	: To (M64)		
F5	(M35)	Y/28	: Air bag diagnosis sensor unit	B3	(M89)	B/5	: Rear power vent window relay (close)	D4	(M203)	W/12	: A/T device		
E4	(M36)	SMJ	: To (E149)	B4	(M91)	W/16	: To (E26)	E5	(M205)	GR/16	: DVD player		
E2	(M37)	B/1	: Fuse block (J/B)	B4	(M92)	GR/6	: Power liftgate switch	E5	(M206)	L/16	: DVD player		
E3	(M38)	B/2	: Fuse block (J/B)	D2	(M93)	W/24	: Display unit	E5	(M207)	B/2	: Console power socket		
E3	(M39)	W/8	: Fuse block (J/B)	D2	(M94)	W/24	: Display control unit (with NAVI)	<b>Console switch sub-harness</b>					
A4	(M40)	SMJ	: To (E69)	C2	(M95)	W/32	: Display control unit (with NAVI)	E4	(M251)	BR/20	: To (M63)		
C4	(M41)	W/16	: Satellite radio tuner (pre-wiring)	B4	(M96)	BR/6	: Pedal adjusting switch	E4	(M252)	BR/6	: Front heated seat switch RH		
D3	(M42)	W/12	: Audio unit	D3	(M98)	W/24	: AV switch	E4	(M253)	GR/6	: VDC OFF switch		
D3	(M43)	W/10	: Audio unit	C4	(M99)	BR/2	: Foot lamp LH	D4	(M255)	BR/6	: Front heated seat switch LH		
D3	(M44)	W/6	: Audio unit	E3	(M100)	BR/2	: Foot lamp RH	D5	(M256)	B/2	: A/T device illumination		
D3	(M45)	W/16	: Audio unit	D4	(M104)	W/4	: Auxiliary in jack (audio)	<b>Optical sensor sub-harness</b>					
D3	(M46)	W/20	: Audio unit	E2	(M105)	Y/2	: Front passenger air bag module	D2	(M401)	W/4	: To (M65)		
C3	(M47)	W/8	: Steering angle sensor							E2	(M402)	B/4	: Optical sensor

WKIA5108E

# HARNESS

## ENGINE ROOM HARNESS (LH VIEW) Engine Compartment



Refer to [PG-46, "ENGINE ROOM HARNESS \(RH VIEW\)"](#) for continuation of engine room harness.

A  
B  
C  
D  
E  
F  
G  
H  
I  
J  
K  
L  
M

PG

# HARNESS

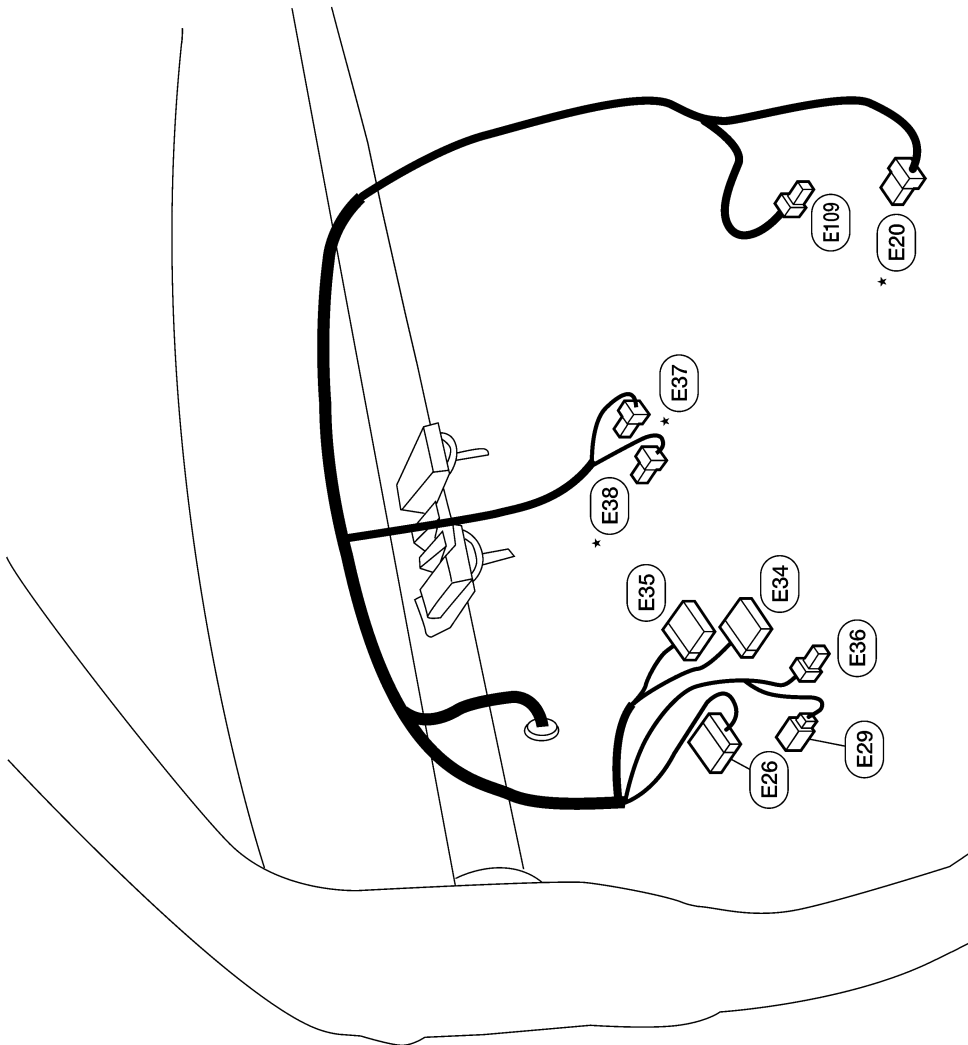
F4	(E1)	GR/2	: Ambient sensor 1
E4	(E4)	Y/2	: Crash zone sensor
G4	(E11)	B/6	: Front combination lamp LH
F4	(E13)	GR/2	: Ambient sensor 2
F3	(E14)	-	: Body ground
D3	(E18)	GR/2	: Front wheel sensor LH
E2	(E21)	GR/2	: Brake fluid level switch
D2	(E23)	GR/6	: Front wiper motor
F3	(E24)	-	: Body ground
D3	(E31)	GR/3	: Front pressure sensor
E3	(E32)	GR/3	: Rear pressure sensor
E2	(E49)	B/6	: Active booster
G5	(E101)	B/2	: Front fog lamp LH
F3	(E105)	BR/2	: Front and rear washer motor
G3	(E106)	BR/2	: Washer fluid level switch
D3	(E114)	B/6	: Delta stroke sensor
E2	(E125)	B/47	: ABS actuator and electric unit (control unit)
F2	(E126)	-	: Body ground

\* : Be sure to connect and lock the connectors securely after repair work. Failure to do so may cause the ECM to have diagnostic trouble codes.  
**Do not disconnect these connectors except in the case of working according to WORK FLOW of TROUBLE DIAGNOSES in EC and AT sections.**

# HARNESS

## Passenger Compartment

- \* (E20) B/8 : Accelerator pedal position (APP) sensor
- (E26) W/16 : To (M91)
- (E29) Y/4 : To (M10)
- (E34) W/24 : To (B40)
- (E35) W/12 : To (B41)
- (E36) W/2 : To (B42)
- \* (E37) BR/2 : ASCD brake switch
- \* (E38) B/2 : Stop lamp switch
- (E109) GR/2 : Pedal adjusting motor



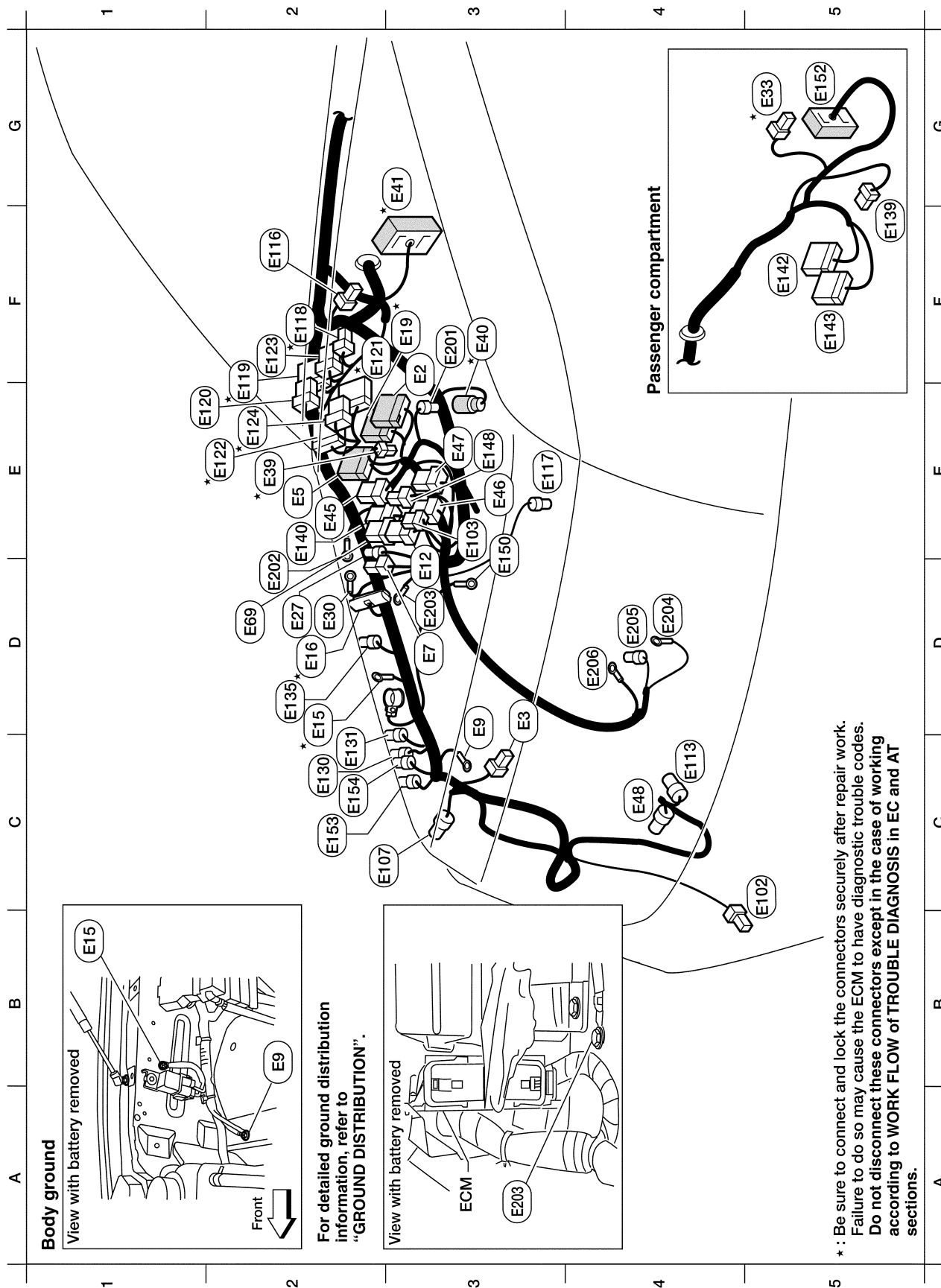
\* : Be sure to connect and lock the connectors securely after repair work. Failure to do so may cause the ECM to have diagnostic trouble codes.  
**Do not disconnect these connectors except in the case of working according to WORK FLOW of TROUBLE DIAGNOSES in EC and AT sections.**

A  
B  
C  
D  
E  
F  
G  
H  
I  
J  
PG  
L  
M

# HARNESS

## ENGINE ROOM HARNESS (RH VIEW)

### Engine Compartment



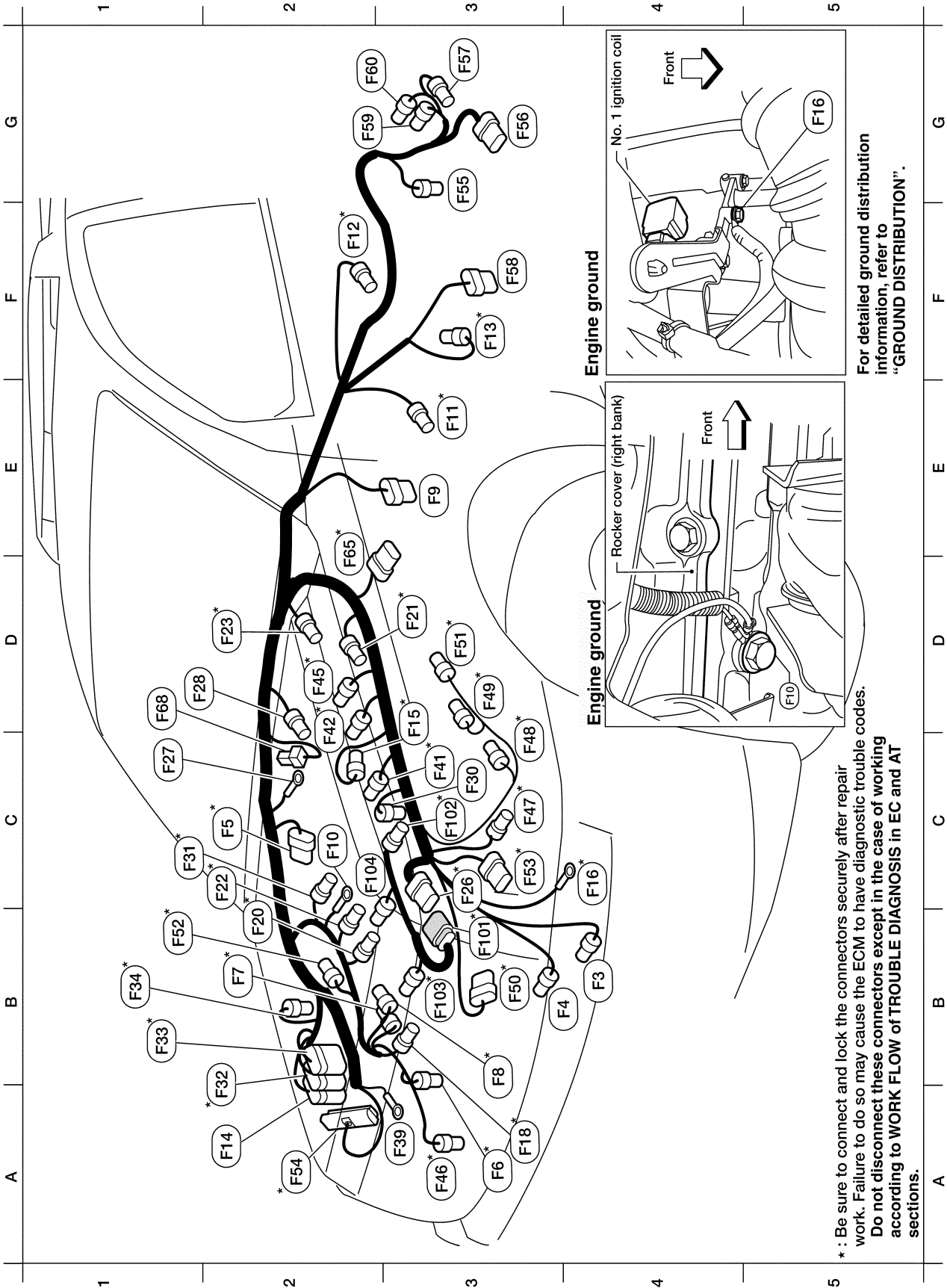
Refer to [PG-43, "ENGINE ROOM HARNESS \(LH VIEW\)"](#) for continuation of engine room harness.

E3	(E2)	W/16	: To (F32)		
C3	(E3)	B/2	: Horn		
E2	(E5)	W/24	: To (F14)		
D3	(E7)	-	: Fusible link box (battery)		
C3	(E9)	-	: Body ground		
D3	(E12)	B/5	: Stop lamp relay		
C2	(E15)	-	: Body ground		
D2	(E16)	B/32	: ECM		
F3	(E19)	W/16	: To (F33)		
D2	(E27)	BR/2	: Fusible link box (battery)		
D2	(E30)	-	: Fusible link box (battery)		
G5	(E33)	B/1	: To (M66)		
E2	(E39)	W/2	: To (F34)		
F3	(E40)	GR/2	: To (E20)		
F3	(E41)	SMJ	: To (C1) (located RH rear of engine compartment)		
E2	(E45)	BR/6	: Back-up lamp relay		
E3	(E46)	B/5	: Transfer shift high relay		
E3	(E47)	B/5	: Transfer shift low relay		
C4	(E48)	B/3	: Refrigerant pressure sensor		
B4	(E02)	B/2	: Front fog lamp RH		
E3	(E03)	B/5	: Daytime light relay		
C2	(E07)	B/6	: Front combination lamp RH		
C4	(E13)	GR/2	: Cooling fan motor		
F2	(E16)	W/2	: Condenser 2		
E3	(E17)	GY/2	: Front wheel sensor RH		
F2	(E18)	B/2	: IPDM E/R (intelligent power distribution module engine room)		
E2	(E19)	W/16	: IPDM E/R (intelligent power distribution module engine room)		
E2	(E20)	W/6	: IPDM E/R (intelligent power distribution module engine room)		
F3	(E21)	BR/12	: IPDM E/R (intelligent power distribution module engine room)		
E2	(E22)	W/12	: IPDM E/R (intelligent power distribution module engine room)		
F2	(E23)	BR/8	: IPDM E/R (intelligent power distribution module engine room)		
E2	(E24)	B/6	: IPDM E/R (intelligent power distribution module engine room)		
C2	(E30)	W/2	: Compressor motor relay		
C2	(E31)	W/2	: Compressor motor relay		
D2	(E35)	GR/2	: Transfer dropping resistor		
F5	(E38)	W/8	: To (E107)		
E2	(E40)	BR/6	: Trailer tow relay 2		
F5	(E42)	L/24	: Transfer control unit		
F5	(E43)	G/24	: Transfer control unit		
E3	(E48)	L/4	: Trailer tow relay 1		
D3	(E50)	-	: Battery ground		
G5	(E52)	SMJ	: To (M31)		
C2	(E53)	GR/2	: Transfer motor relay		
C2	(E54)	GR/2	: Transfer motor relay		
<b>Generator sub-harness</b>					
F3	(E20)	GR/2	: To (E40)		
D2	(E02)	B/1	: Fusible link box (battery)		
D3	(E203)	-	: Body ground		
D4	(E204)	-	: Generator		
D4	(E205)	GR/2	: Generator		
D4	(E206)	-	: Generator		

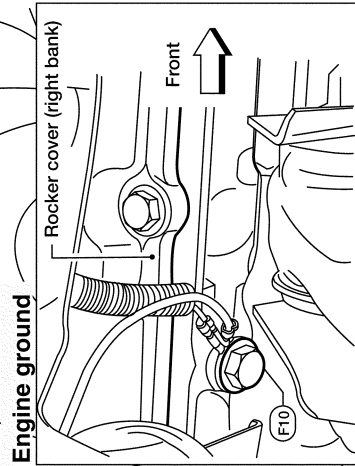
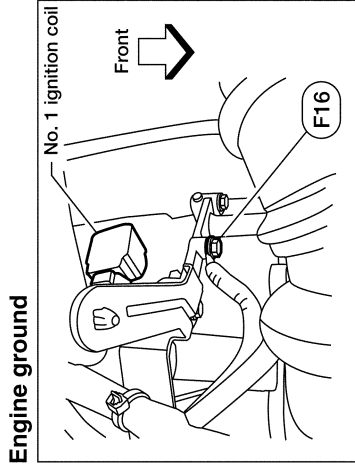
\* : Be sure to connect and lock the connectors securely after repair work.  
 Failure to do so may cause the ECM to have diagnostic trouble codes.  
 Do not disconnect these connectors except in the case of working  
 according to WORK FLOW of TROUBLE DIAGNOSIS in EC and AT

# HARNESS

## ENGINE CONTROL HARNESS



\* : Be sure to connect and lock the connectors securely after repair work. Failure to do so may cause the ECM to have diagnostic trouble codes. Do not disconnect these connectors except in the case of working according to **WORK FLOW of TROUBLE DIAGNOSIS in EC and AT sections.**



For detailed ground distribution information, refer to "GROUND DISTRIBUTION".

WKIA5150E



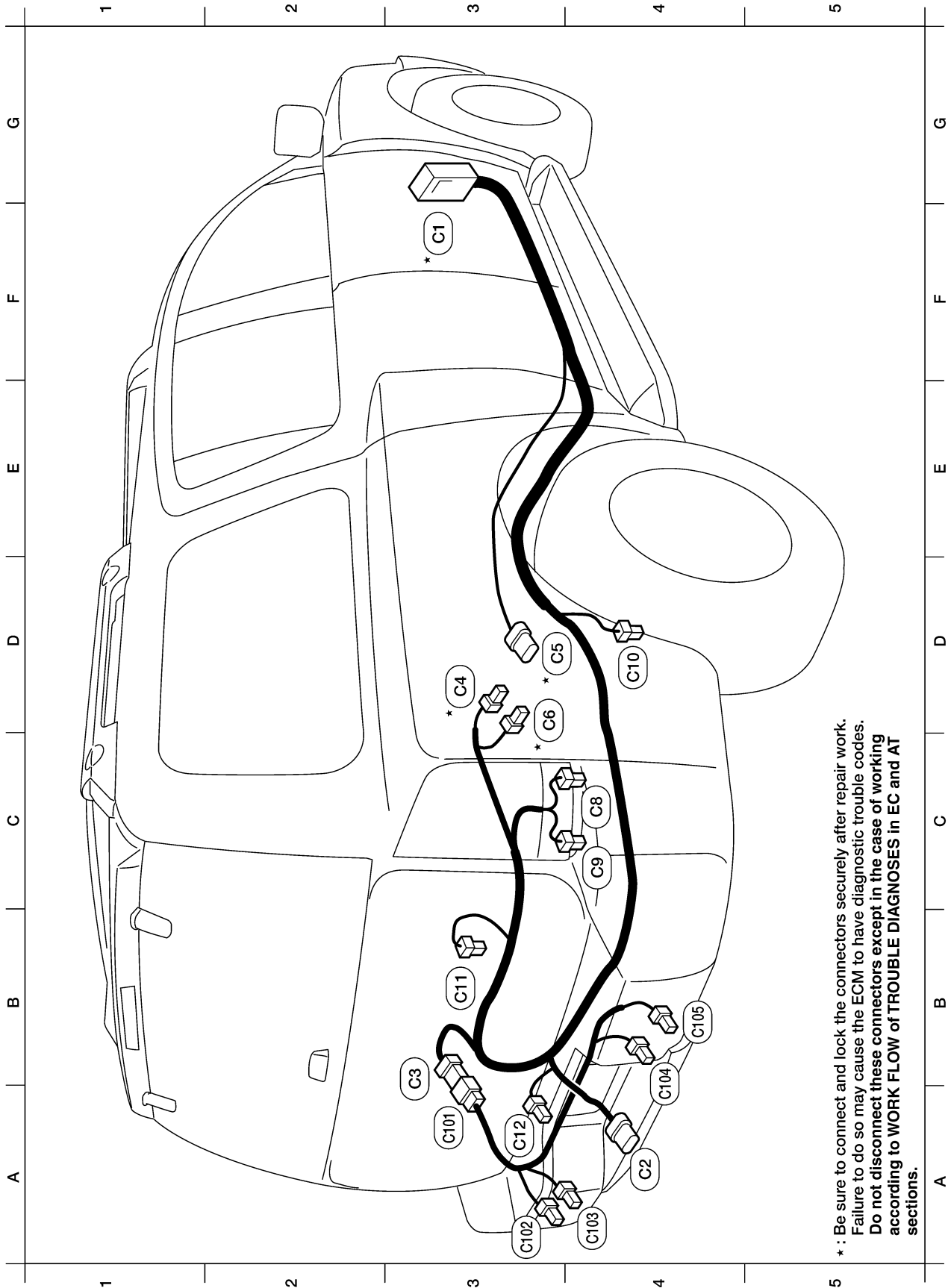
B4 (F3)	B/1	: A/C compressor	C3 *	(F48)	GR/3	: Ignition coil No. 3 (with power transistor)	
B4 (F4)	B/3	: Oil pressure sensor	D3 *	(F49)	GR/3	: Ignition coil No. 5 (with power transistor)	
C2 *	(F5)	B/6	: Air fuel ratio (A/F) sensor 1 (bank 2)	B3 *	(F50)	B/6	: Electric throttle control actuator
A3 *	(F6)	GR/3	: Ignition coil No. 2 (with power transistor)	D3 *	(F51)	GR/3	: Ignition coil No. 7 (with power transistor)
B2 *	(F7)	GR/3	: Ignition coil No. 4 (with power transistor)	B1 *	(F52)	GR/3	: Ignition coil No. 8 (with power transistor)
B3 *	(F8)	GR/3	: Ignition coil No. 6 (with power transistor)	C3 *	(F53)	B/6	: Mass air flow sensor
E3 (F9)	G/10	: A/T assembly	A2 *	(F54)	B/81	: ECM	
C2 (F10)	-	: Engine ground	G3 (F55)	B/2	: ATP switch (4WD only)		
E3 *	(F11)	B/3	: Crankshaft position sensor (POS)	G3 (F56)	B/8	: Terminal cord assembly (4WD only)	
F2 *	(F12)	G/4	: Heated oxygen sensor 2 (bank 2)	G3 (F57)	B/2	: Transfer motor (4WD only)	
F3 *	(F13)	G/4	: Heated oxygen sensor 2 (bank 1)	F3 (F58)	GR/6	: Transfer control device (4WD only)	
A2 (F14)	W/24	: To (E5)	A2 (F59)	B/2	: Wait detection switch (4WD only)		
C3 *	(F15)	L/2	: EVAP canister purge volume control solenoid valve	G2 (F60)	GR/2	: Neutral-4LO switch (4WD only)	
C4 *	(F16)	-	: Engine ground	D2 *	(F65)	B/6	: Air fuel ratio (A/F) sensor 1 (bank 1)
A3 *	(F18)	GR/2	: Injector No. 2	D1 (F68)	B/2	: Water valve	
B2 *	(F20)	GR/2	: Injector No. 4	<b>Engine control sub-harness</b>			
D3 *	(F21)	GR/2	: Condenser-1	B3 *	(F101)	B/6	: To (F26)
C2 *	(F22)	GR/2	: Injector No. 6	C3 *	(F102)	GR/2	: Knock sensor (bank 1)
D2 *	(F23)	B/3	: Camshaft position sensor (PHASE)	B3 *	(F103)	GR/2	: Engine coolant temperature sensor
C3 *	(F26)	B/6	: To (F101)	C2 (F104)	GR/2	: Knock sensor (bank 2)	
C2 (F27)	B/1	: Starter motor					
D2 (F28)	GR/1	: Starter motor					
C3 *	(F30)	GR/2	: Injector No. 1				
C2 *	(F31)	GR/2	: Injector No. 8				
A2 *	(F32)	W/16	: To (E2)				
B1 *	(F33)	W/16	: To (E19)				
B1 *	(F34)	W/2	: To (E39)				
A3 (F39)	-	: Fusible link box (battery)					
C3 *	(F41)	GR/2	: Injector No. 3				
C2 *	(F42)	GR/2	: Injector No. 5				
D2 *	(F45)	GR/2	: Injector No. 7				
A3 *	(F46)	B/3	: Power steering pressure sensor				
C3 *	(F47)	GR/3	: Ignition coil No. 1 (with power transistor)				

\* : Be sure to connect and lock the connectors securely after repair work. Failure to do so may cause the ECM to have diagnostic trouble codes. Do not disconnect these connectors except in the case of working according to WORK FLOW OF TROUBLE DIAGNOSIS in EC and AT sections.

WKIA5151E

# HARNESS

## CHASSIS HARNESS



\* : Be sure to connect and lock the connectors securely after repair work.  
Failure to do so may cause the ECM to have diagnostic trouble codes.  
Do not disconnect these connectors except in the case of working  
according to **WORK FLOW of TROUBLE DIAGNOSES** in EC and AT  
sections.

LKIA0432E

- F3 \* C1 SMJ : To E41 (located RH rear of engine compartment)
- A4 C2 B/7 : Trailer
- B3 C3 GR/6 : To C101
- D3 \* C4 GR/3 : EVAP control system pressure sensor
- D4 \* C5 GR/5 : Fuel level sensor unit and fuel pump
- C3 \* C6 B/2 : EVAP canister vent control valve
- C4 C8 B/3 : Height sensor
- C4 C9 B/4 : Suspension air compressor
- D4 C10 BR/2 : Rear wheel sensor RH
- B3 C11 BR/2 : Rear wheel sensor LH
- A3 C12 W/2 : License plate lamps

Rear sonar sensor sub-harness

- A3 C101 GR/6 : To C3
- A3 C102 B/3 : Rear sonar sensor LH outer
- A4 C103 B/3 : Rear sonar sensor LH inner
- B4 C104 B/3 : Rear sonar sensor RH inner
- B4 C105 B/3 : Rear sonar sensor RH outer

\* : Be sure to connect and lock the connectors securely after repair work.  
 Failure to do so may cause the ECM to have diagnostic trouble codes.  
**Do not disconnect these connectors except in the case of working**  
 according to WORK FLOW of TROUBLE DIAGNOSIS in EC and AT

A  
B  
C  
D  
E  
F  
G  
H  
I  
J

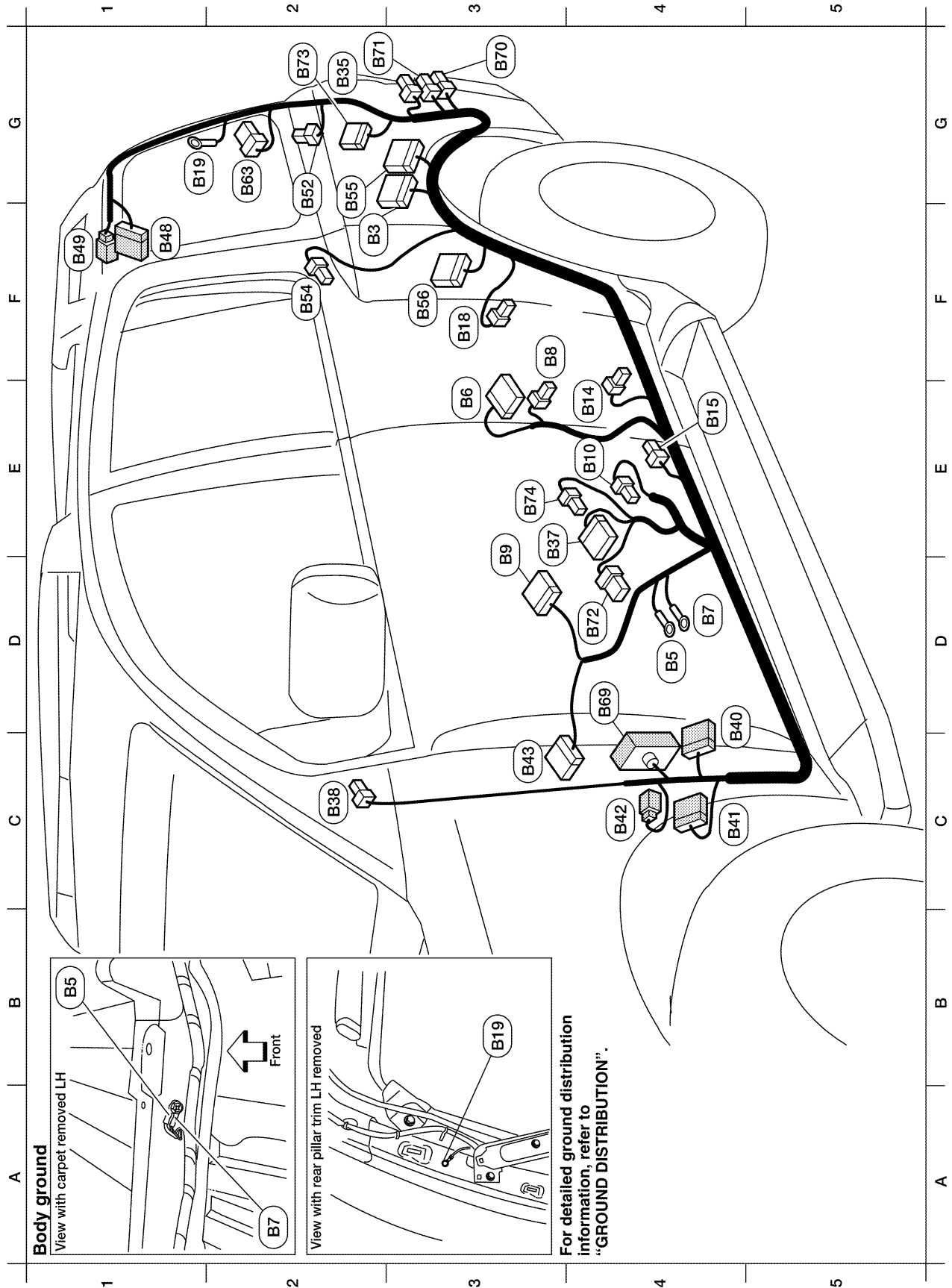
PG

L  
M

WKIA5104E

# HARNESS

## BODY HARNESS



WKIA3709E

# HARNESSES

F2	(B3)	W/16	: Suspension control unit
D4	(B5)	-	: Body ground
E3	(B6)	W/18	: To (D201)
D4	(B7)	-	: Body ground
F3	(B8)	W/3	: Front door switch LH
E3	(B9)	Y/12	: Air bag diagnosis sensor unit
E4	(B10)	Y/2	: Front LH side air bag module
E4	(B14)	Y/2	: Front LH seat belt pre-tensioner
E4	(B15)	Y/2	: LH side air bag (satellite) sensor
F3	(B18)	W/3	: Rear door switch LH
G1	(B19)	-	: Body ground
G2	(B35)	B/3	: Rear combination lamp LH (turn signal)
D4	(B37)	W/16	: To (P1)
C2	(B38)	Y/2	: LH side front curtain air bag module
C4	(B40)	W/24	: To (E34)
C4	(B41)	W/12	: To (E35)
C4	(B42)	W/2	: To (E36)
C3	(B43)	W/12	: To (B11)
F1	(B48)	W/16	: To (D40)
F1	(B49)	W/2	: To (D402)
F2	(B52)	W/2	: Rear power vent window motor LH
F2	(B54)	Y/2	: LH side rear curtain air bag module
G2	(B55)	W/26	: Back door control unit
F3	(B56)	W/16	: Sonar control unit
G2	(B63)	W/6	: Back door close switch
D4	(B69)	SMJ	: To (M40)
G3	(B70)	B/3	: Rear combination lamp LH (stop/tail)
G2	(B71)	B/2	: Back-up lamp LH
D4	(B72)	BR/6	: Subwoofer (with BOSE audio system)
G2	(B73)	W/16	: Rear view camera control unit
D4	(B74)	Y/4	: Seat belt buckle pre-tensioner assembly LH

WKIA3656E

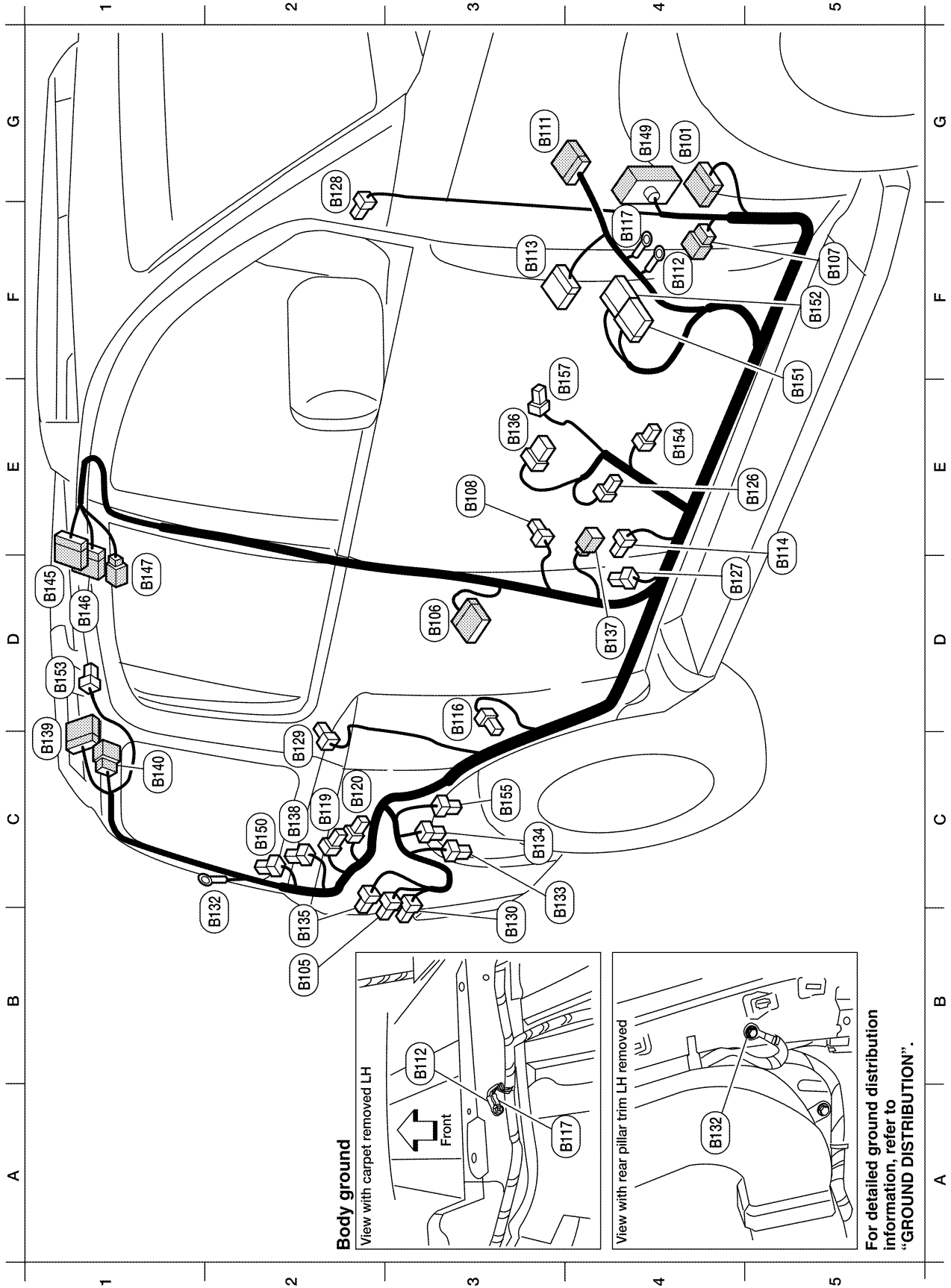
A  
B  
C  
D  
E  
F  
G  
H  
I  
J

PG

L  
M

# HARNESS

## BODY NO. 2 HARNESS



For detailed ground distribution information, refer to "GROUND DISTRIBUTION".

WKIA3710E

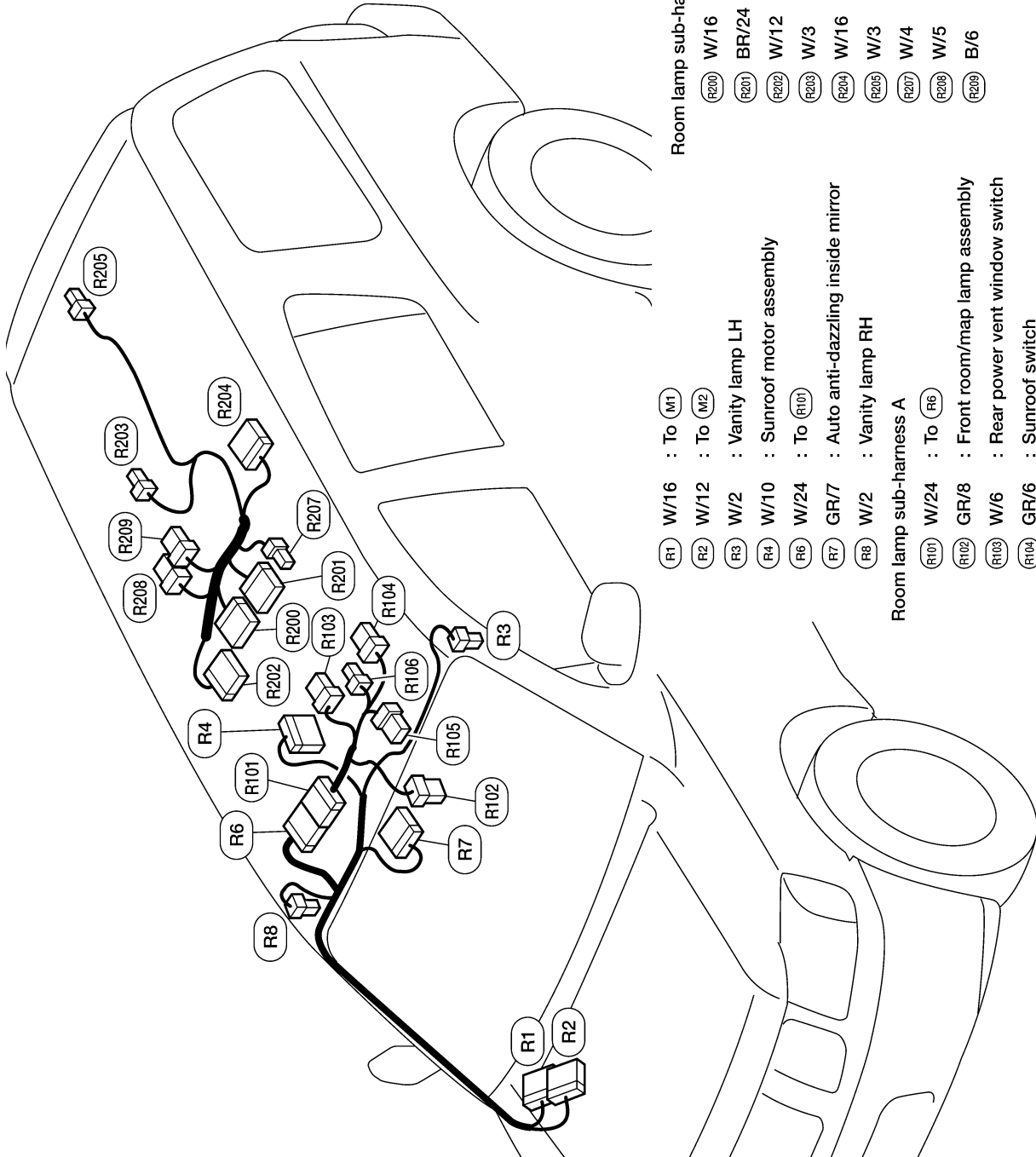
# HARNESS

G4 (B101)	W/16	: To (M84)	G4 (E149)	SMJ	: To (M99)
B2 (E105)	B/3	: Rear combination lamp RH (turn signal)	C2 (B190)	W/2	: Rear power vent window motor RH
D3 (B106)	W/18	: To (D301)	F5 (E151)	W/24	: NAVI control unit
F5 (E107)	W/8	: To (E139)	F5 (E152)	GR/24	: NAVI control unit
E3 (E109)	W/3	: Front door switch RH	D1 (B153)	W/2	: Cargo lamp
G3 (B111)	W/12	: To (B43)	E4 (E154)	W/2	: To (P103)
F4 (E112)	-	: Body ground (RH satellite sensor)	C3 (B155)	B/6	: Air mix door motor (rear)
F3 (E113)	Y/12	: Air bag diagnosis sensor unit	E3 (E157)	Y/4	: Seat belt buckle pre-tensioner assembly RH
D5 (E114)	Y/2	: RH side air bag (satellite) sensor			
D3 (E115)	W/3	: Rear door switch RH			
F4 (E117)	-	: Body ground			
C2 (E119)	W/2	: Condensor-3			
C3 (E120)	W/2	: Condensor-4			
E5 (E125)	Y/2	: Front RH side air bag module			
D5 (E127)	Y/2	: Front RH seat belt pre-tensioner			
F2 (E128)	Y/2	: RH side rear curtain air bag module			
C2 (E129)	Y/2	: RH side front curtain air bag module			
B3 (E130)	B/3	: Rear combination lamp RH (stop/tail)			
B2 (E132)	-	: Body ground			
C4 (E133)	W/4	: Rear blower motor resistor			
C3 (E134)	W/2	: Rear blower motor			
B2 (E135)	B/2	: Back-up lamp RH			
E3 (E136)	W/8	: To (P151)			
D4 (E137)	W/3	: Belt tension sensor			
C2 (E138)	B/2	: Rear cargo power socket			
C1 (E139)	W/16	: To (R612)			
C1 (E140)	W/6	: To (R601)			
D1 (E145)	W/16	: To (R200)			
D1 (E146)	BR/24	: To (R201)			
D1 (E147)	W/4	: To (R207)			

WKIA3660E

# HARNESS

## ROOM LAMP HARNESS



- (R1) W/16 : To (M1)
- (R2) W/12 : To (M2)
- (R3) W/2 : Vanity lamp LH
- (R4) W/10 : Sunroof motor assembly
- (R6) W/24 : To (R101)
- (R7) GR/7 : Auto anti-dazzling inside mirror
- (R8) W/2 : Vanity lamp RH

- Room lamp sub-harness A
- (R101) W/24 : To (R6)
  - (R102) GR/8 : Front room/map lamp assembly
  - (R103) W/6 : Rear power vent window switch
  - (R104) GR/6 : Sunroof switch
  - (R105) W/8 : Compass and thermometer
  - (R106) W/2 : HOMELINK universal transceiver

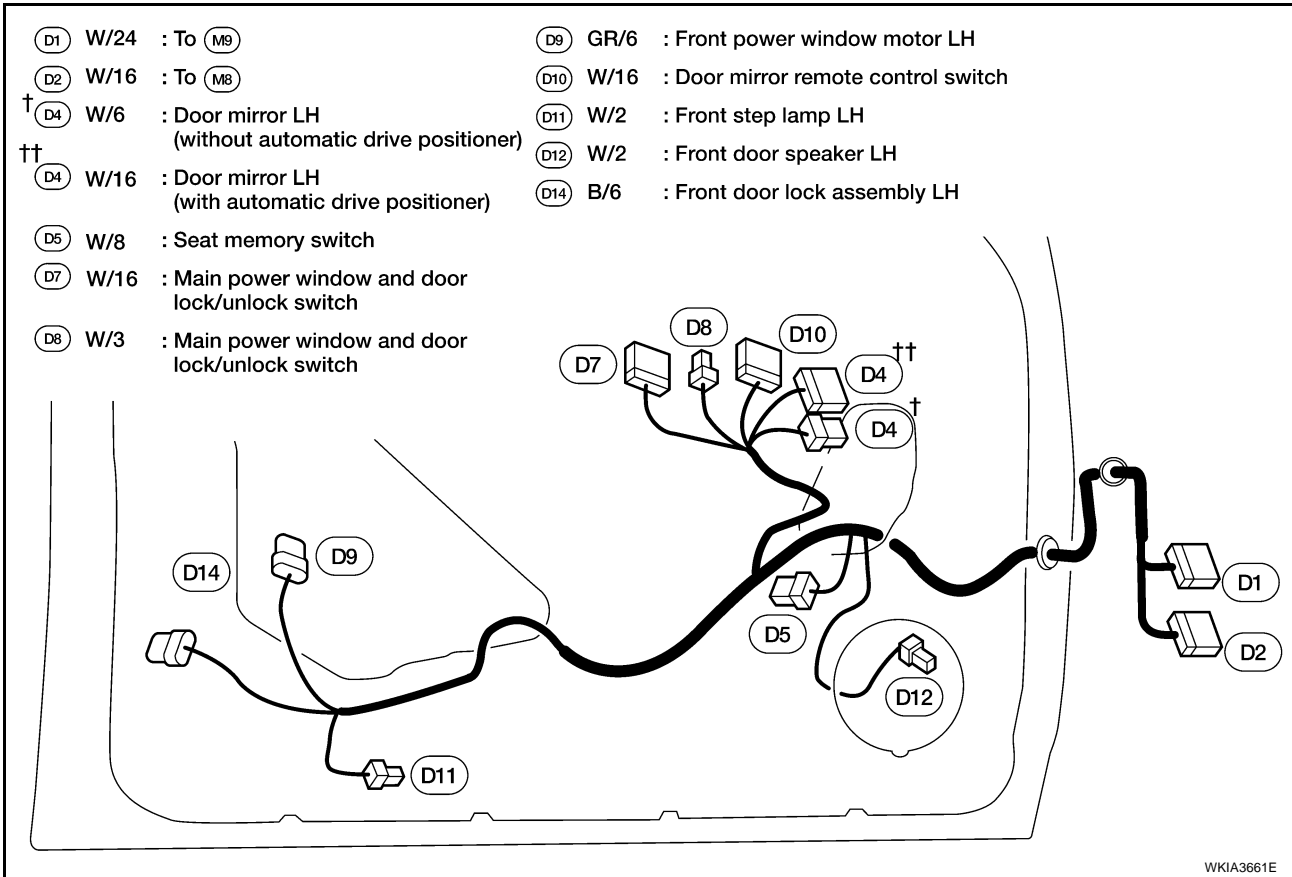
- Room lamp sub-harness B
- (R200) W/16 : To (B145)
  - (R201) BR/24 : To (B146)
  - (R202) W/12 : Video monitor
  - (R203) W/3 : Personal lamp 2nd row
  - (R204) W/16 : Rear audio remote control unit
  - (R205) W/3 : Personal lamp 3rd row
  - (R207) W/4 : To (B147)
  - (R208) W/5 : Rear air control
  - (R209) B/6 : Rear air control

WKIA3663E

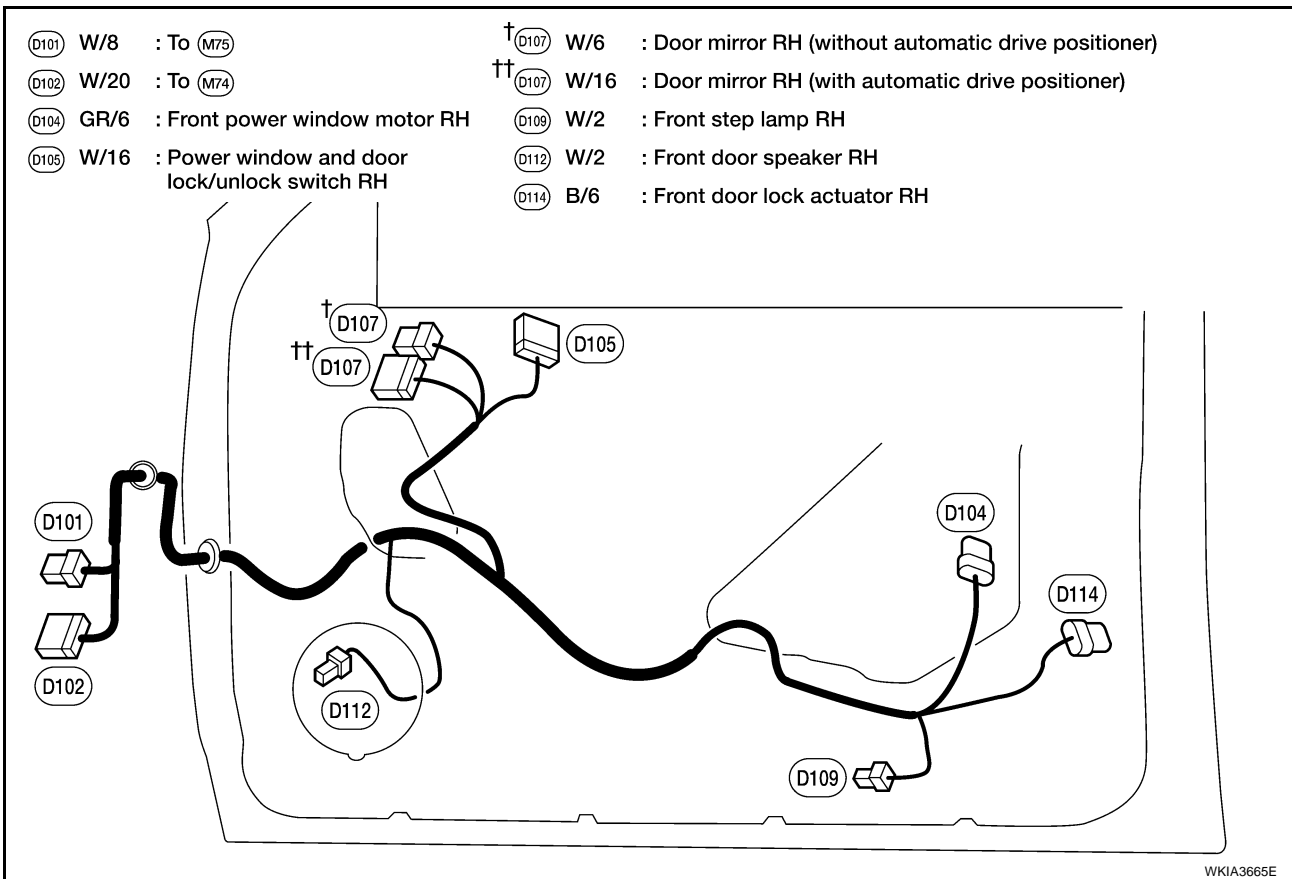


# HARNESS

## FRONT DOOR LH HARNESS



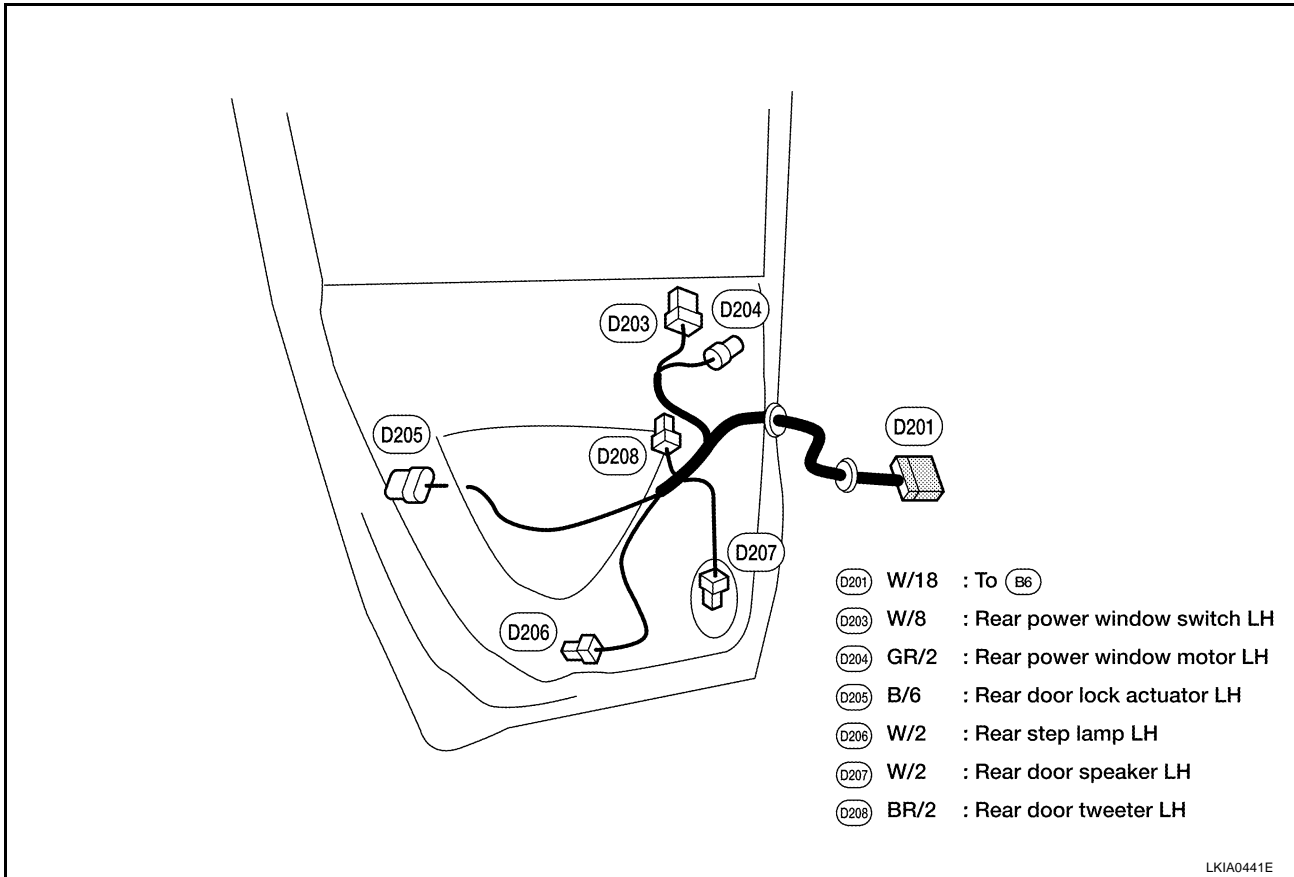
## FRONT DOOR RH HARNESS



A  
B  
C  
D  
E  
F  
G  
H  
I  
J  
PG  
L  
M

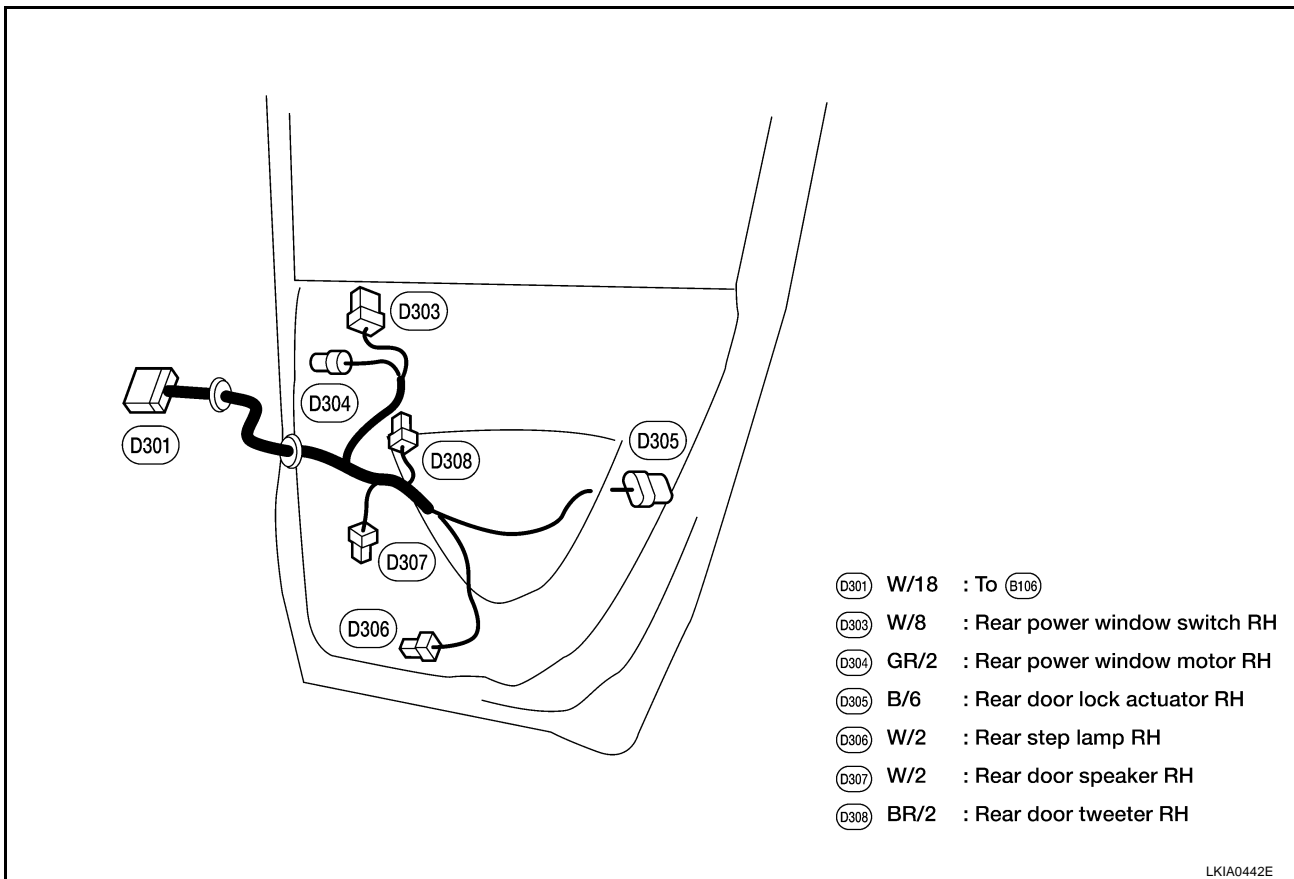
# HARNESS

## REAR DOOR LH HARNESS



LKIA0441E

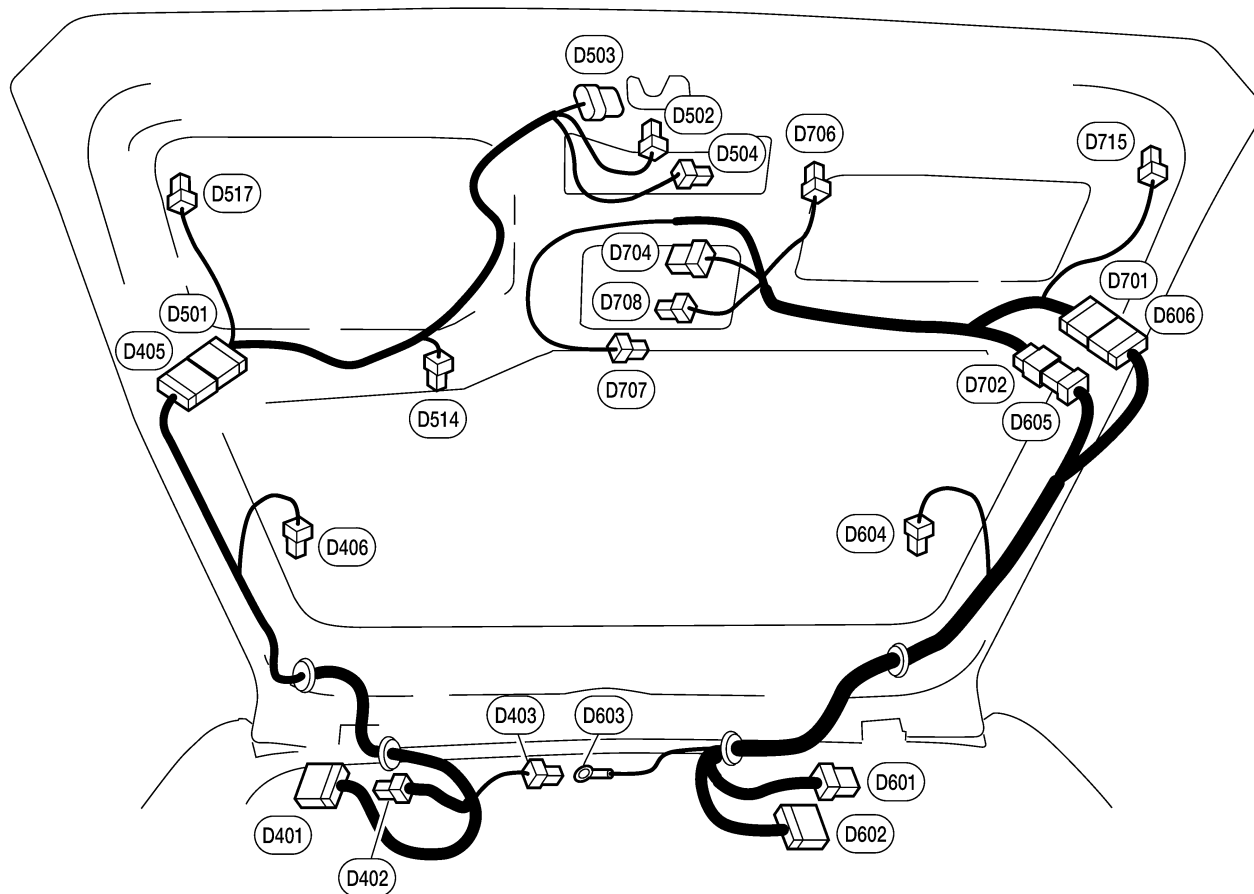
## REAR DOOR RH HARNESS



LKIA0442E

# HARNESS

## BACK DOOR HARNESS



### Back door No. 2 LH harness

- (D401) W/16 : To (B48)
- (D402) W/2 : To (B49)
- (D403) GR/2 : High-mounted stop lamp
- (D405) W/16 : To (D501)
- (D406) B/1 : Rear window defogger

### Back door LH harness

- (D501) W/16 : To (D405)
- (D502) W/3 : Back door switch
- (D503) W/8 : Back door latch
- (D504) W/4 : Rear view camera
- (D514) BR/2 : Back door warning chime
- (D517) BR/2 : Pinch strip LH

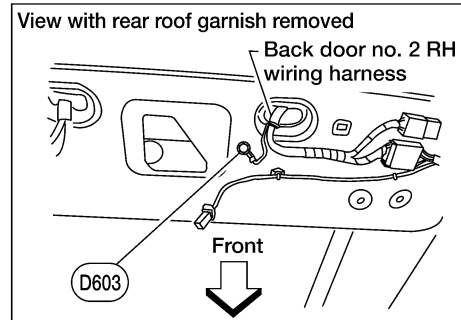
### Back door No. 2 RH harness

- (D601) W/6 : To (B140)
- (D602) W/16 : To (B139)
- (D603) - : Body ground
- (D604) B/1 : Rear defogger ground
- (D605) W/6 : To (D702)
- (D606) W/16 : To (D701)

### Back door RH harness

- (D701) W/16 : To (D606)
- (D702) W/6 : To (D605)
- (D704) W/6 : Rear wiper motor
- (D706) W/2 : Back door handle switch
- (D707) B/1 : Glass hatch ajar switch
- (D708) W/4 : Back door lock actuator
- (D715) BR/2 : Pinch strip RH

### Body ground



For detailed ground distribution information, refer to "Ground Distribution".

WKIA3668E

# HARNESS

EKS00B6S

## Wiring Diagram Codes (Cell Codes)

Use the chart below to find out what each wiring diagram code stands for.

Refer to the wiring diagram code in the alphabetical index to find the location (page number) of each wiring diagram.

Code	Section	Wiring Diagram Name
A/C,A	ATC	Auto Air Conditioner
A/C,M	MTC	Manual Air Conditioner
A/SUSP	RSU	Rear Air Suspension
AF1B1	EC	Air Fuel Ratio Sensor 1 Bank 1
AF1B2	EC	Air Fuel Ratio Sensor 1 Bank 2
APPS1	EC	Accelerator Pedal Position Sensor
APPS2	EC	Accelerator Pedal Position Sensor
APPS3	EC	Accelerator Pedal Position Sensor
ASC/BS	EC	ASCD Brake Switch
ASC/SW	EC	ASCD Steering Switch
ASCBOF	EC	ASCD Brake Switch
ASCIND	EC	ASCD Indicator
A/T	AT	A/T Assembly
AT/IND	DI	A/T Indicator Lamp
AUDIO	AV	Audio
AUTO/DP	SE	Automatic Drive Positioner
AUTO/L	LT	Auto Light Control
B/CLOS	BL	Back Door Auto Closure System
BACK/L	LT	Back-up Lamp
BRK/SW	EC	Brake Switch
CAN	EC	CAN Communication Line
CAN	LAN	CAN System
CHARGE	SC	Charging System
CHIME	DI	Warning Chime
COOL/F	EC	Cooling Fan Control
COMBSW	LT	Combination Switch
COMM	AV	Audio Visual Communication System
D/LOCK	BL	Power Door Lock
DEF	GW	Rear Window Defogger
DTRL	LT	Headlamp - With Daytime Light System
DVD	AV	DVD Entertainment System
ECM/PW	EC	ECM Power Supply for Back-Up
ECTS	EC	Engine Coolant Temperature Sensor
ETC1	EC	Electric Throttle Control Function
ETC2	EC	Throttle Control Motor Relay
ETC3	EC	Throttle Control Motor
F/FOG	LT	Front Fog Lamp
F/PUMP	EC	Fuel Pump
FTTS	EC	Fuel Tank Temperature Sensor
FUELB1	EC	Fuel Injection System Bank 1
FUELB2	EC	Fuel Injection System Bank 2
H/LAMP	LT	Headlamp
HORN	WW	Horn
HSEAT	SE	Heated Seat
I/MIRR	GW	Inside Mirror (Auto Anti-Dazzling Mirror)
IATS	EC	Intake Air Temperature Sensor
IGNSYS	EC	Ignition System

# HARNESSES

ILL	LT	Illumination	A
INJECT	EC	Injectors	
INT/L	LT	Room/Map, Vanity, Cargo, Personal, Foot, Step, and Puddle Lamps	
KEYLES	BL	Remote Keyless Entry System	B
KS	EC	Knock Sensor	
MAFS	EC	Mass Air Flow Sensor	
MAIN	EC	Main Power Supply and Ground Circuit	C
METER	DI	Speedometer, Tachometer, Temp. and Fuel Gauges	
MIL/DL	EC	Malfunction Indicator Lamp	
MIRROR	GW	Door Mirror	D
NATS	BL	Nissan Anti-Theft System	
NAVI	AV	Navigation System	
O2H2B1	EC	Rear Heated Oxygen Sensor 2 Heater Bank 1	E
O2H2B2	EC	Rear Heated Oxygen Sensor 2 Heater Bank 2	
O2S2B1	EC	Heated Oxygen Sensor 2 Bank 1	
O2S2B2	EC	Heated Oxygen Sensor 2 Bank 2	F
P/SCKT	WW	Power Socket	
PEDAL	AP	Adjustable Pedal System	
PGC/V	EC	EVAP Canister Purge Volume Control Solenoid Valve	G
PHASE	EC	Camshaft Position Sensor (PHASE) (Bank 1)	
PNP/SW	EC	Park/Neutral Position Switch	
POS	EC	Crankshaft Position Sensor (POS)	H
POWER	PG	Power Supply Routing	
PRE/SE	EC	EVAP Control System Pressure Sensor	
PS/SEN	EC	Power Steering Pressure Sensor	I
R/VIEW	DI	Rear View Camera	
RP/SEN	EC	Refrigerant Pressure Sensor	
SEAT	SE	Power Seat	J
SEN/PW	EC	Sensor Power Supply	
SHIFT	AT	A/T Shift Lock System	
SONAR	DI	Rear Sonar System	PG
SROOF	RF	Sunroof	
SRS	SRS	Supplemental Restraint System	
START	SC	Starting System	L
STOP/L	LT	Stop Lamp	
T/TOW	LT	Trailer Tow	
T/WARN	WT	Low Tire Pressure Warning System	M
TAIL/L	LT	Parking, License and Tail Lamps	
T/F	TF	Transfer Case	
TPS1	EC	Throttle Position Sensor	
TPS2	EC	Throttle Position Sensor	
TPS3	EC	Throttle Position Sensor	
TRNSCV	BL	HOMELINK® Universal Transceiver	
TURN	LT	Turn Signal and Hazard Warning Lamps	
VDC	BRC	Vehicle Dynamic Control System	
VEHSEC	BL	Vehicle security (theft warning) system	
VENT/V	EC	EVAP Canister Vent Control Valve	
W/ANT	AV	Audio Antenna	
WARN	DI	Warning Lamps	
WINDOW	GW	Power Window	
WIP/R	WW	Rear Wiper and Washer	
WIPER	WW	Front Wiper and Washer	

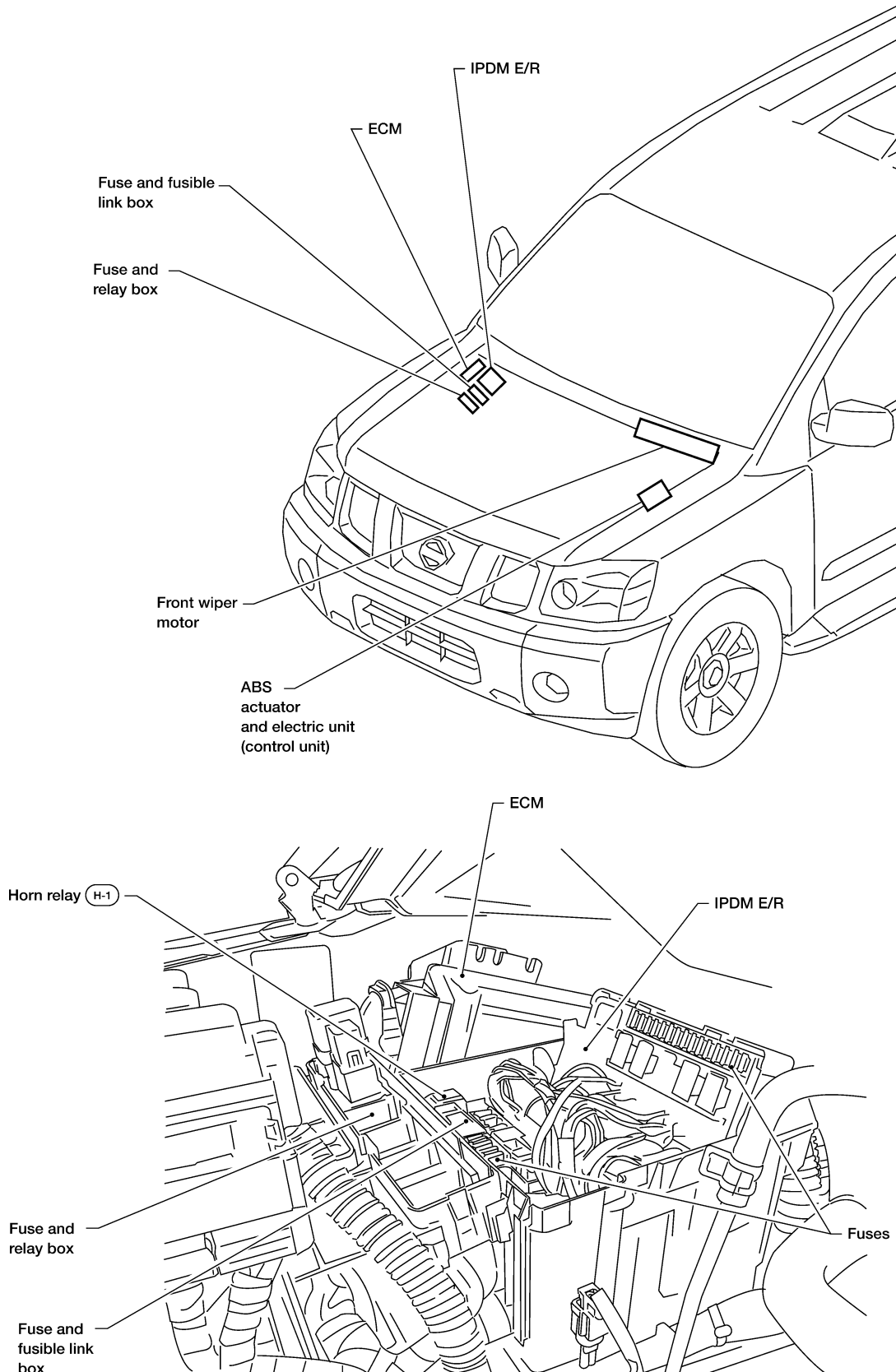
# ELECTRICAL UNITS LOCATION

PF2:25230

EKS00B6T

## ELECTRICAL UNITS LOCATION

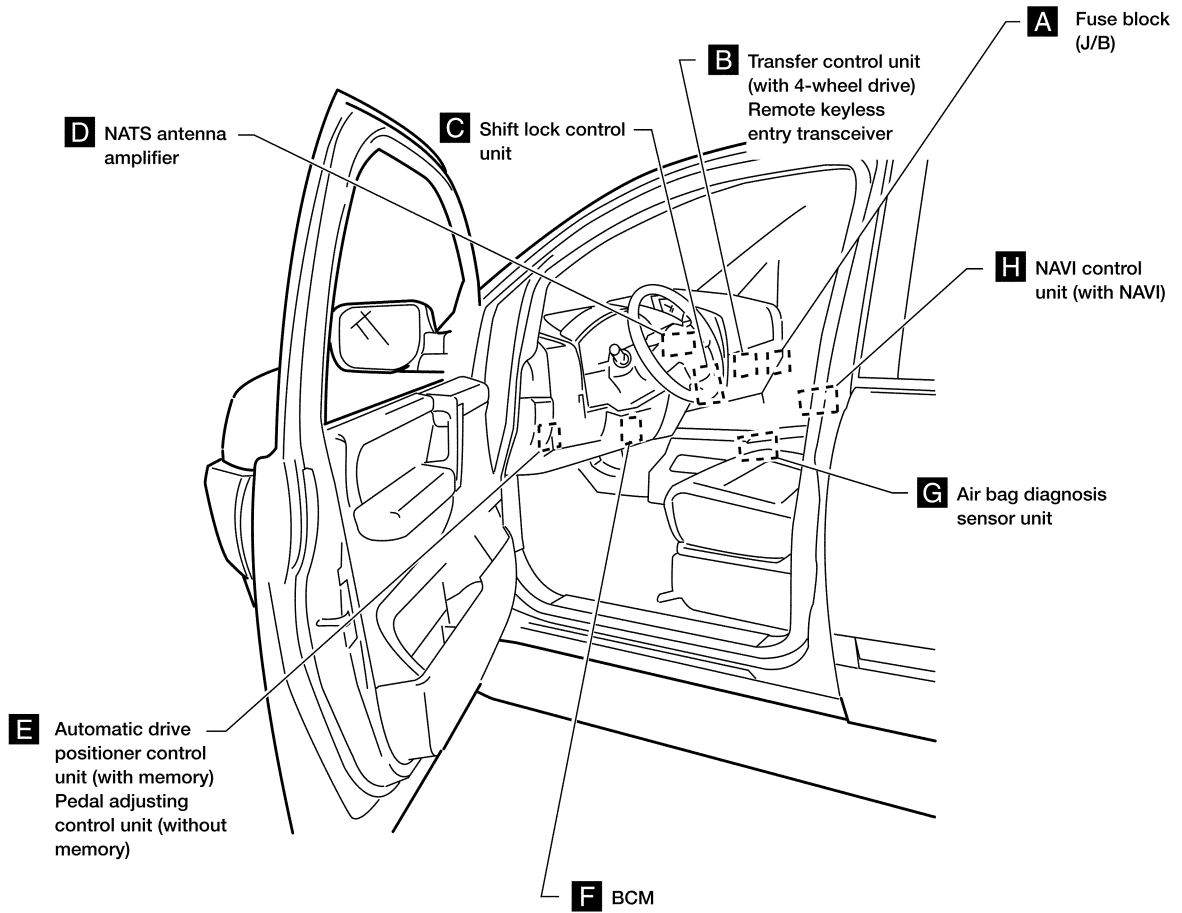
### Electrical Units Location ENGINE COMPARTMENT



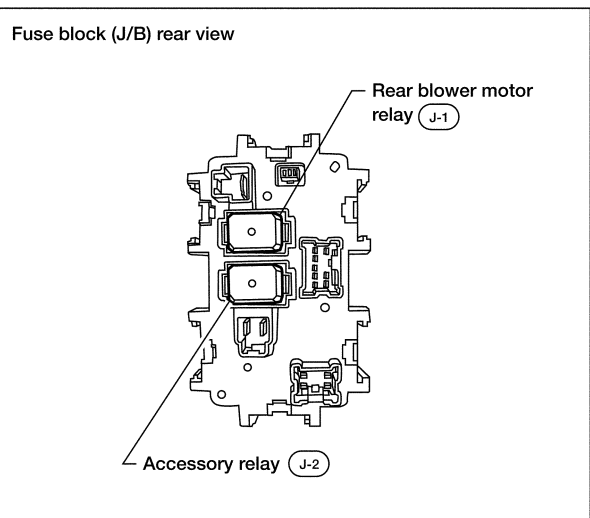
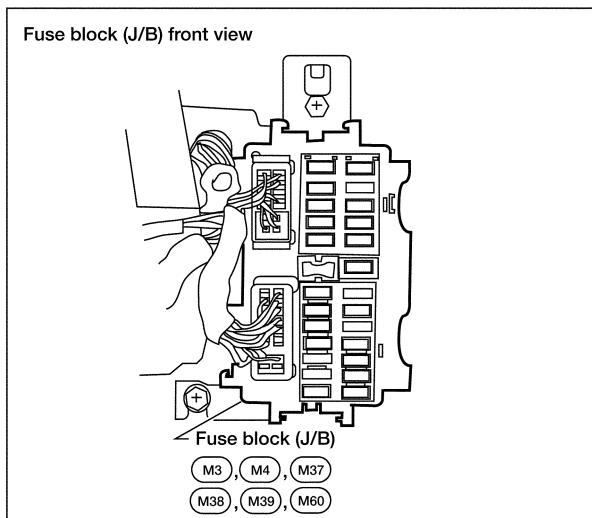
LKIA0444E

# ELECTRICAL UNITS LOCATION

## PASSENGER COMPARTMENT



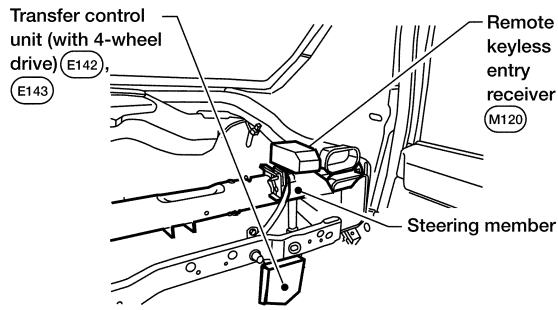
**A** Instrument panel side RH



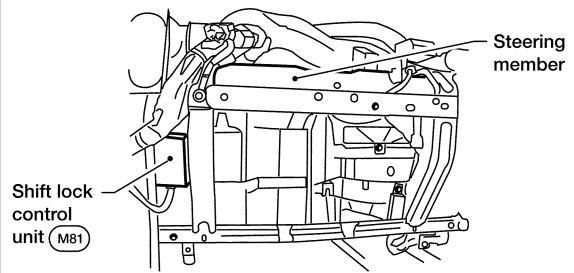
WKIA5138E

# ELECTRICAL UNITS LOCATION

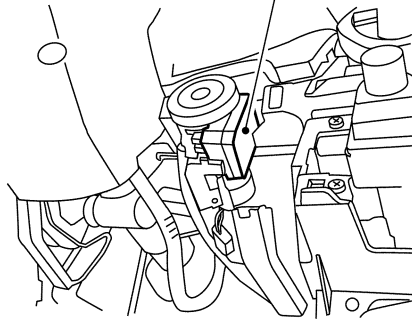
**B** View with instrument panel removed RH



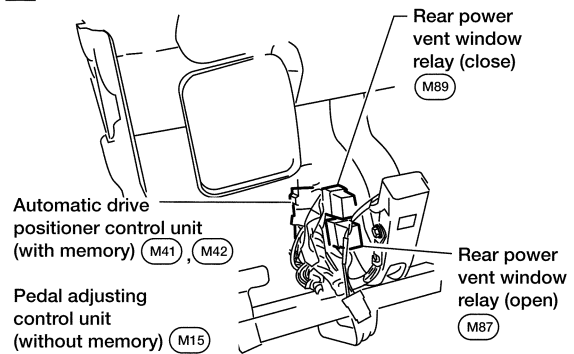
**C** View with instrument panel removed RH



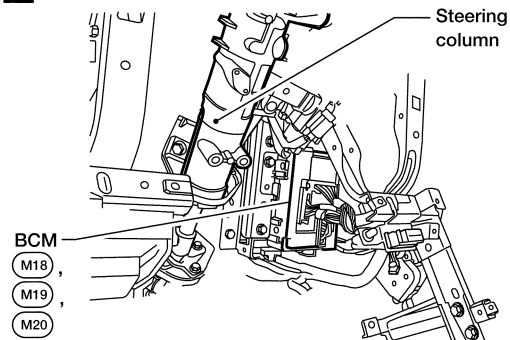
**D** View with lower driver instrument panel removed  
NATS antenna amplifier (M21)



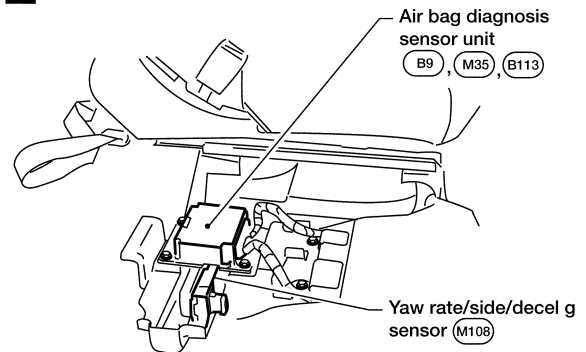
**E** View with steering member removed LH



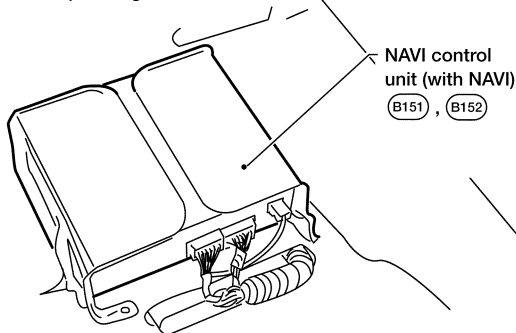
**F** View with instrument panel removed



**G** View with center console removed



**H** View with passenger seat removed



WKIA5106E

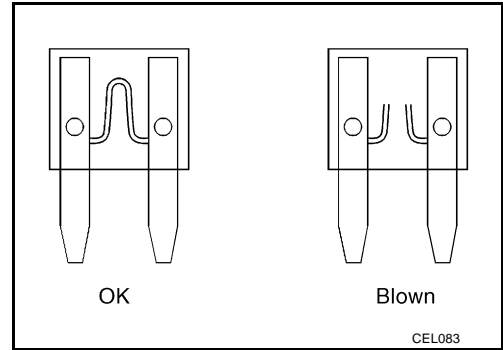


# ELECTRICAL UNITS LOCATION

## Fuse

EKS00B6U

- If fuse is blown, be sure to eliminate cause of incident before installing new fuse.
- Use fuse of specified rating. Never use fuse of more than specified rating.
- Do not partially install fuse; always insert it into fuse holder properly.
- Remove fuse for "ELECTRICAL PARTS (BAT)" if vehicle is not used for a long period of time.



## Fusible Link

EKS00B6V

A melted fusible link can be detected either by visual inspection or by feeling with finger tip. If its condition is questionable, use circuit tester or test lamp.

### CAUTION:

- If fusible link should melt, it is possible that critical circuit (power supply or large current carrying circuit) is shorted. In such a case, carefully check and eliminate cause of incident.
- Never wrap outside of fusible link with vinyl tape.
- Never let fusible link touch any other wiring harness, vinyl or rubber parts.

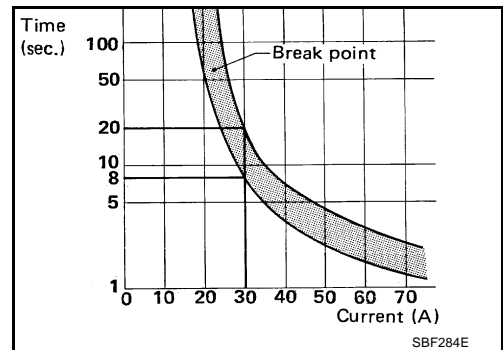
## Circuit Breaker (Built Into BCM)

EKS00B6W

For example, when current is 30A, the circuit is broken within 8 to 20 seconds.

A circuit breaker is used for the following systems:

- Power seat
- Power windows
- Power door locks
- Remote keyless entry system
- Power sunroof
- Rear window wiper



A  
B  
C  
D  
E  
F  
G  
H  
I  
J  
PG  
L  
M

# HARNESS CONNECTOR

PFP:B4341

## HARNESS CONNECTOR

### Description

#### HARNESS CONNECTOR (TAB-LOCKING TYPE)

EKS00B6X

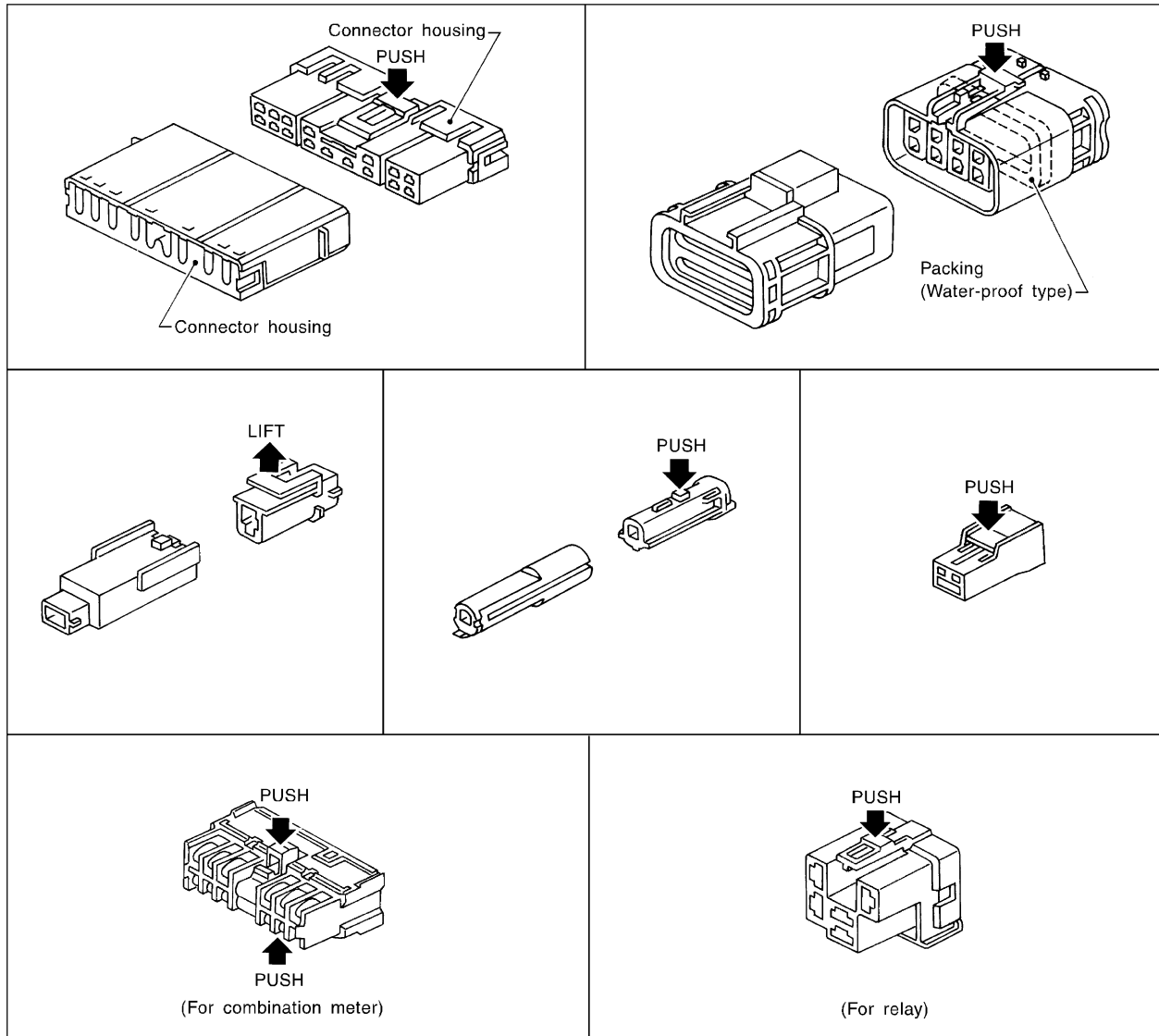
- The tab-locking type connectors help prevent accidental looseness or disconnection.
- The tab-locking type connectors are disconnected by pushing or lifting the locking tab(s). Refer to the illustration below.

Refer to the next page for description of the slide-locking type connector.

#### CAUTION:

Do not pull the harness or wires when disconnecting the connector.

[Example]



SEL769DA

# HARNESS CONNECTOR

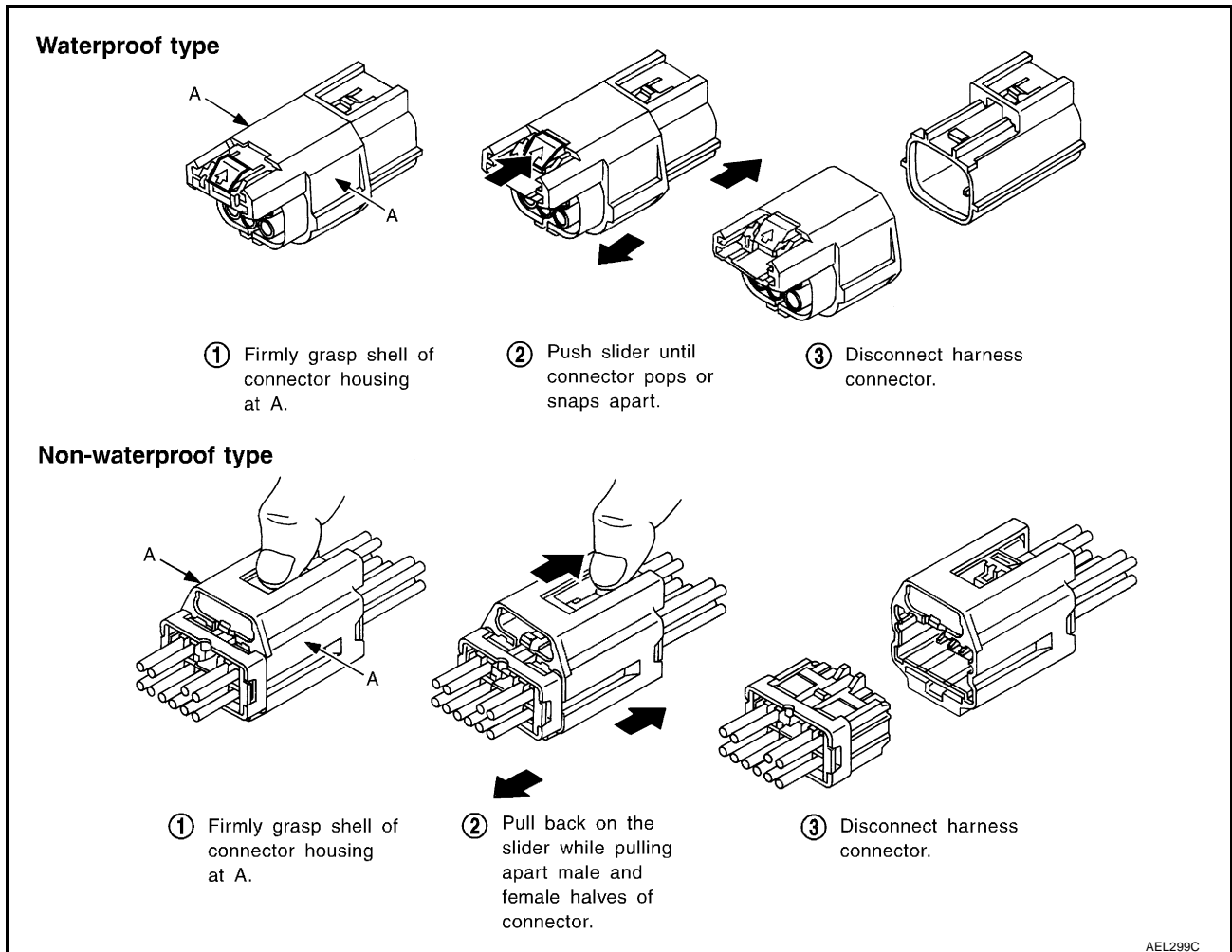
## HARNESS CONNECTOR (SLIDE-LOCKING TYPE)

- A new style slide-locking type connector is used on certain systems and components, especially those related to OBD.
- The slide-locking type connectors help prevent incomplete locking and accidental looseness or disconnection.
- The slide-locking type connectors are disconnected by pushing or pulling the slider. Refer to the illustration below.

### CAUTION:

- Do not pull the harness or wires when disconnecting the connector.
- Be careful not to damage the connector support bracket when disconnecting the connector.

[Example]



A  
B  
C  
D  
E  
F  
G  
H  
I  
J  
L  
M

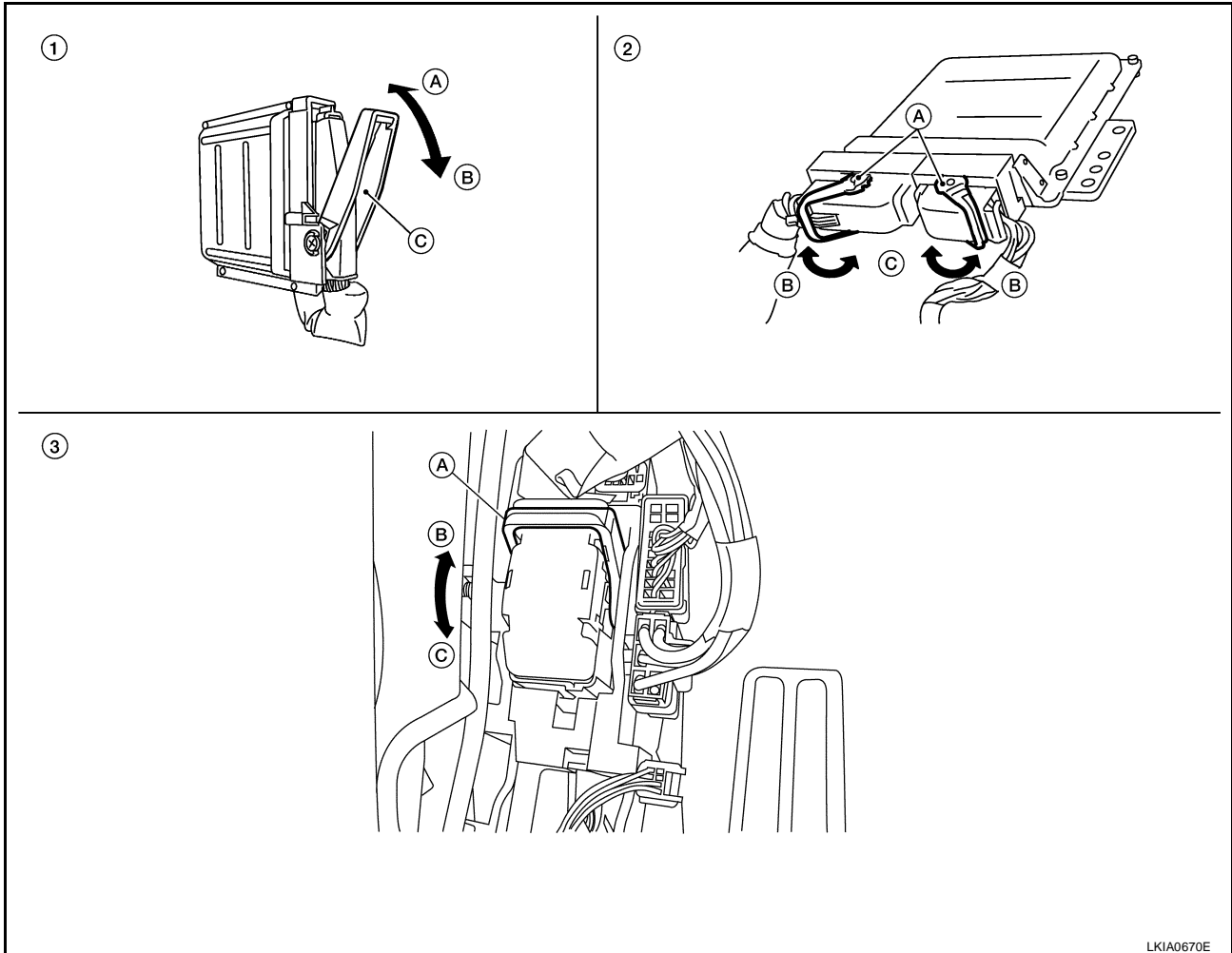
# HARNES CONNECTOR

## HARNES CONNECTOR (LEVER LOCKING TYPE)

- Lever locking type harness connectors are used on certain control units and control modules such as ECM, ABS actuator and electric unit (control unit), etc.
- Lever locking type harness connectors are also used on super multiple junction (SMJ) connectors.
- Always confirm the lever is fully locked in place by moving the lever as far as it will go to ensure full connection.

**CAUTION:**

Always confirm the lever is fully released (loosened) before attempting to disconnect or connect these connectors to avoid damage to the connector housing or terminals.



1. Control unit with single lever

- A. Fasten
- B. Loosen
- C. Lever

2. Control unit with dual levers

- A. Levers
- B. Fasten
- C. Loosen

3. SMJ connector

- A. Lever
- B. Fasten
- C. Loosen

LK1A0670E

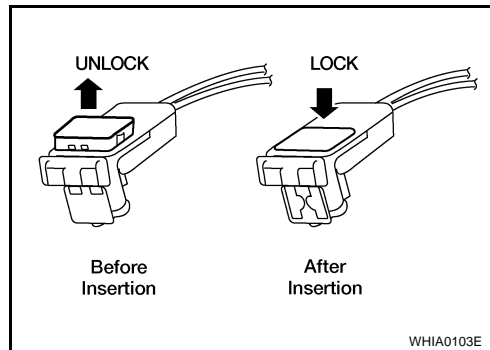
# HARNESS CONNECTOR

## HARNESS CONNECTOR (DIRECT-CONNECT SRS COMPONENT TYPE)

- SRS direct-connect type harness connectors are used on certain SRS components such as air bag modules and seat belt pre-tensioners.
- Always pull up to release black locking tab prior to removing connector from SRS component.
- Always push down to lock black locking tab after installing connector to SRS component. When locked, the black locking tab is level with the connector housing.

### CAUTION:

- **Do not pull the harness or wires when removing connectors from SRS components.**



A  
B  
C  
D  
E  
F  
G  
H  
I  
J  
L  
M

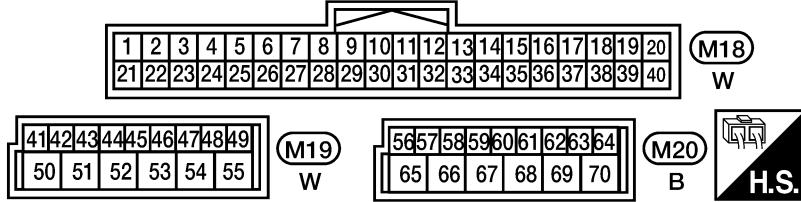
# ELECTRICAL UNITS

PF2:23710

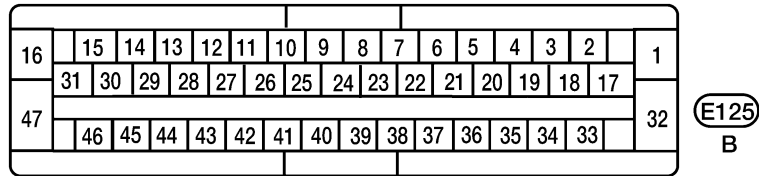
EKS00B6Y

## ELECTRICAL UNITS Terminal Arrangement

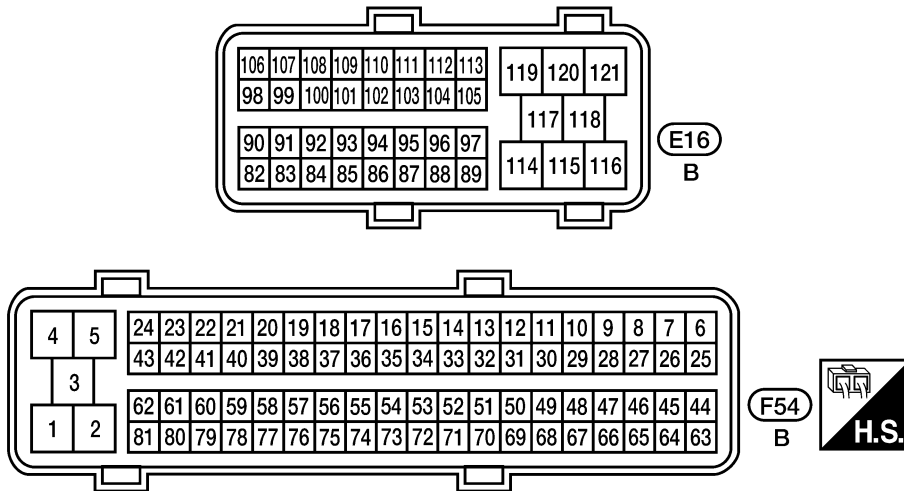
BCM (BODY CONTROL MODULE)



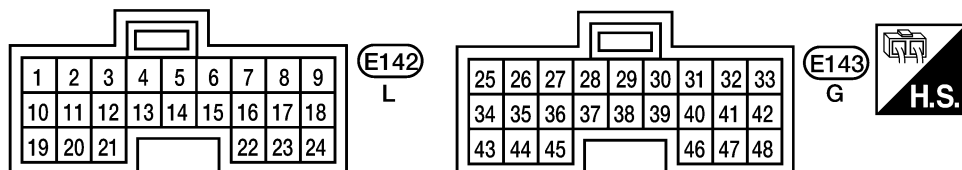
ABS ACTUATOR AND ELECTRIC UNIT (CONTROL UNIT)



ECM



TRANSFER CONTROL UNIT



WKIA3673E

# STANDARDIZED RELAY

PFP:25230

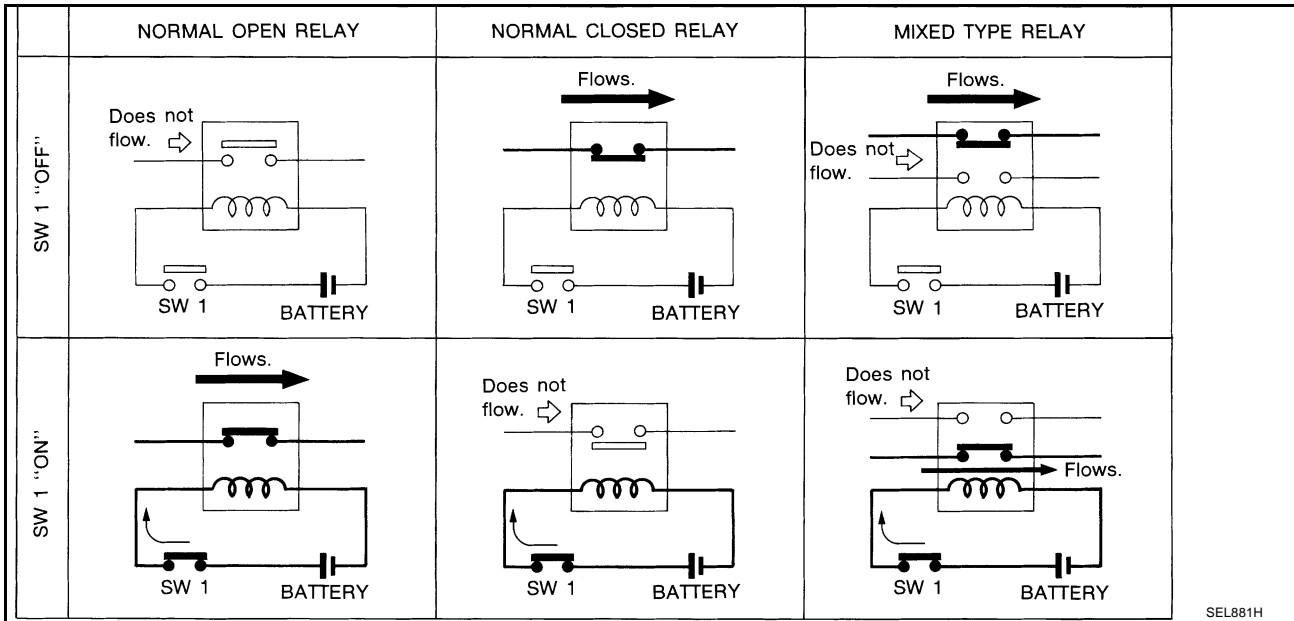
EKS00B6Z

## STANDARDIZED RELAY

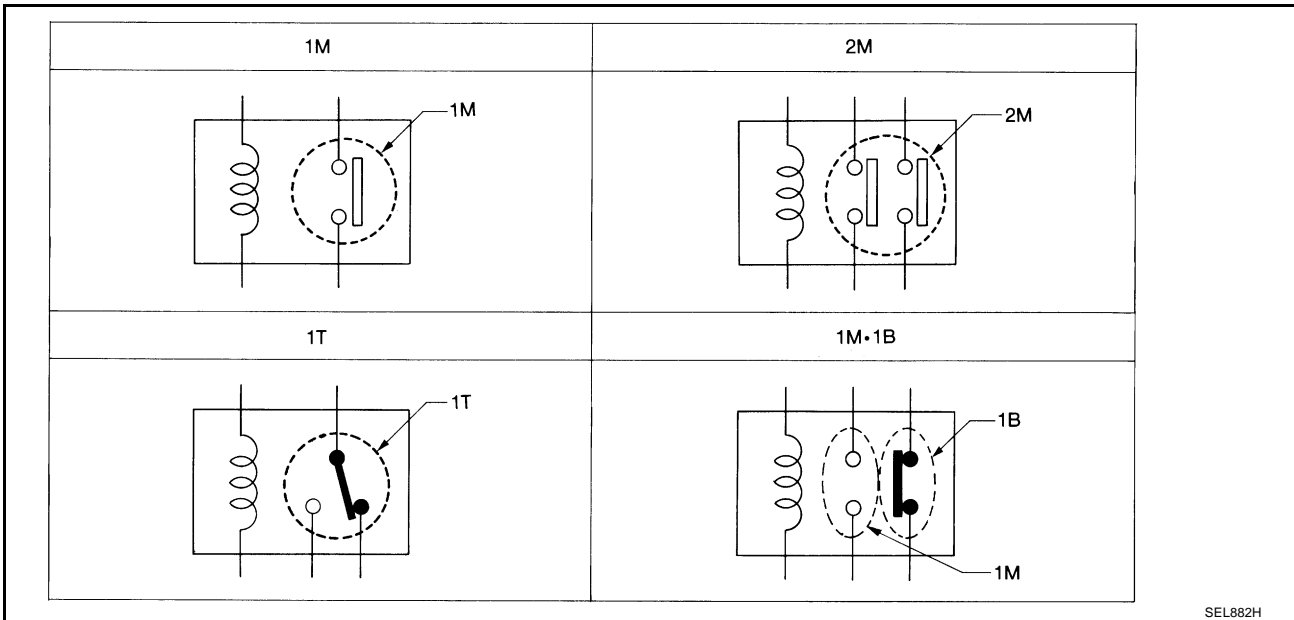
### Description

### NORMAL OPEN, NORMAL CLOSED AND MIXED TYPE RELAYS

Relays can mainly be divided into three types: normal open, normal closed and mixed type relays.

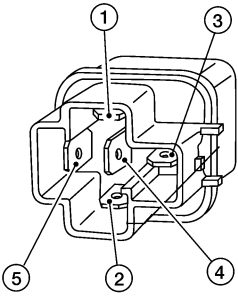
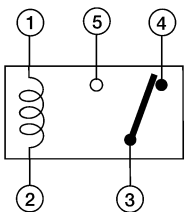
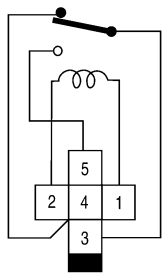
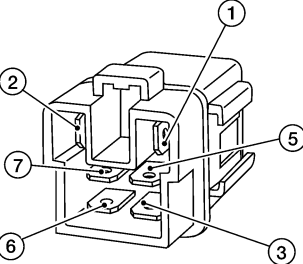
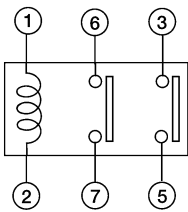
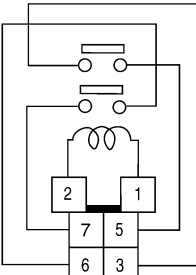
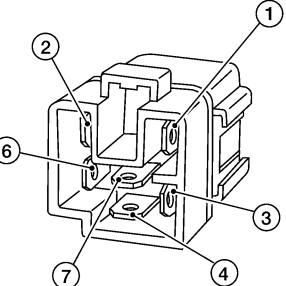
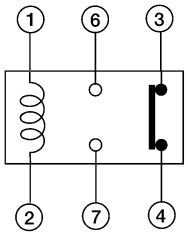
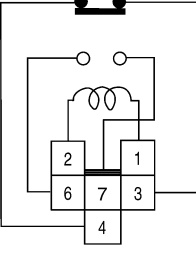
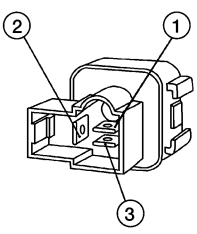
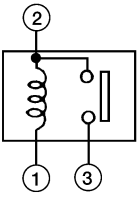
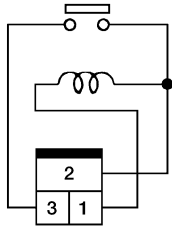
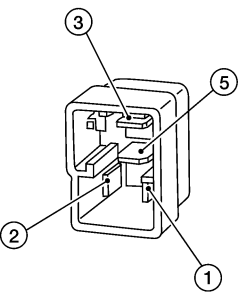
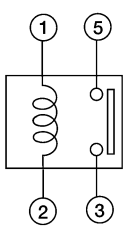
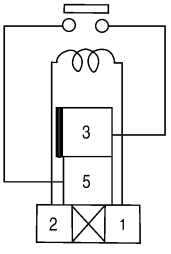


### TYPE OF STANDARDIZED RELAYS



1M	1 Make	2M	2 Make
1T	1 Transfer	1M-1B	1 Make 1 Break

# STANDARDIZED RELAY

Type	Outer view	Circuit	Connector Symbol and connection	Case color
1T				BLACK
2M				BROWN
1M-1B				GRAY
1M				BLACK
				BLUE

The arrangement of terminal numbers on the actual relays may differ from those shown above.

WKIA0253E



# SUPER MULTIPLE JUNCTION (SMJ)

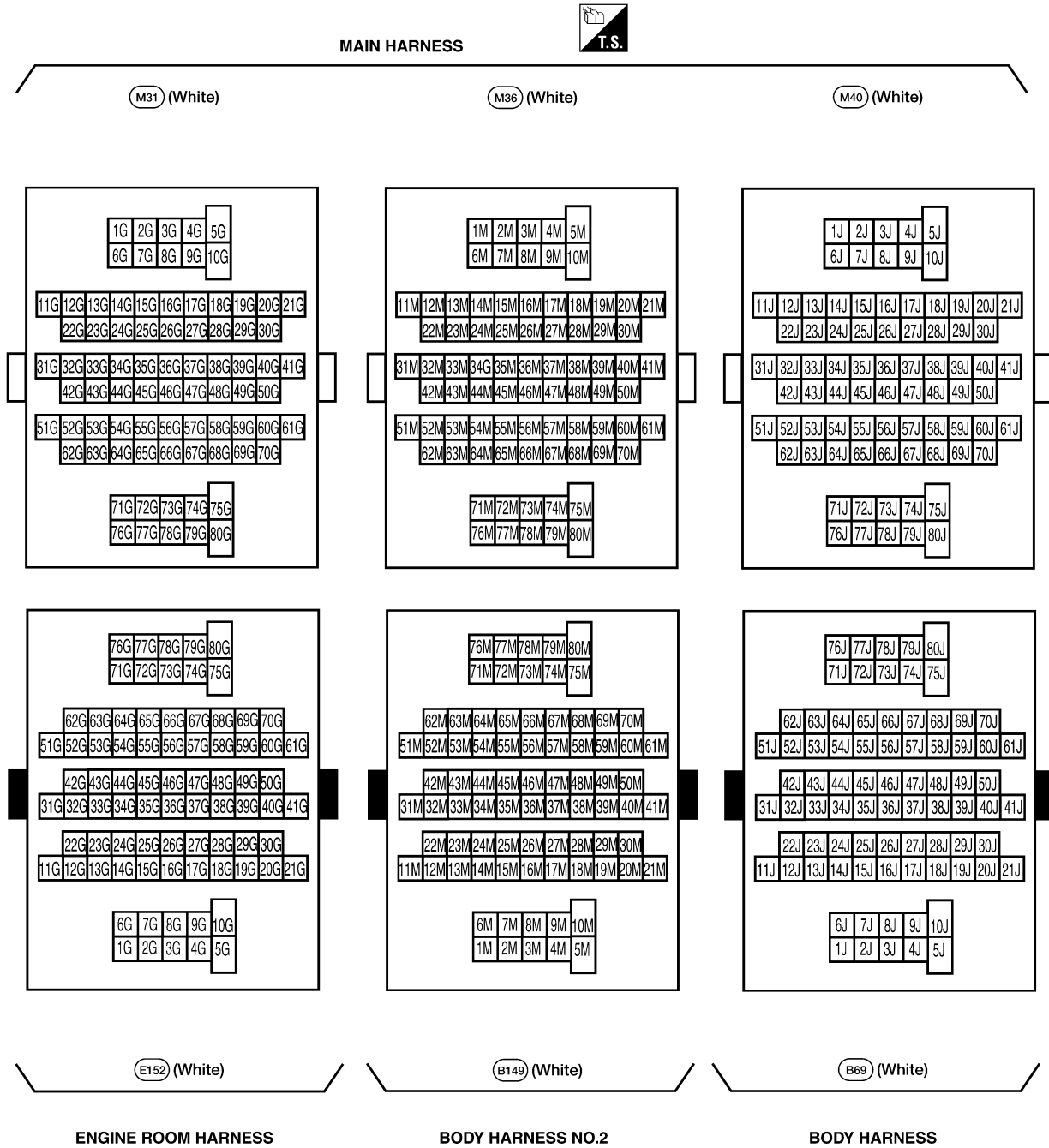
## SUPER MULTIPLE JUNCTION (SMJ)

### Terminal Arrangement

PF:84341

EKS00B70

A  
B  
C  
D  
E  
F  
G  
H  
I  
J  
PG  
L  
M

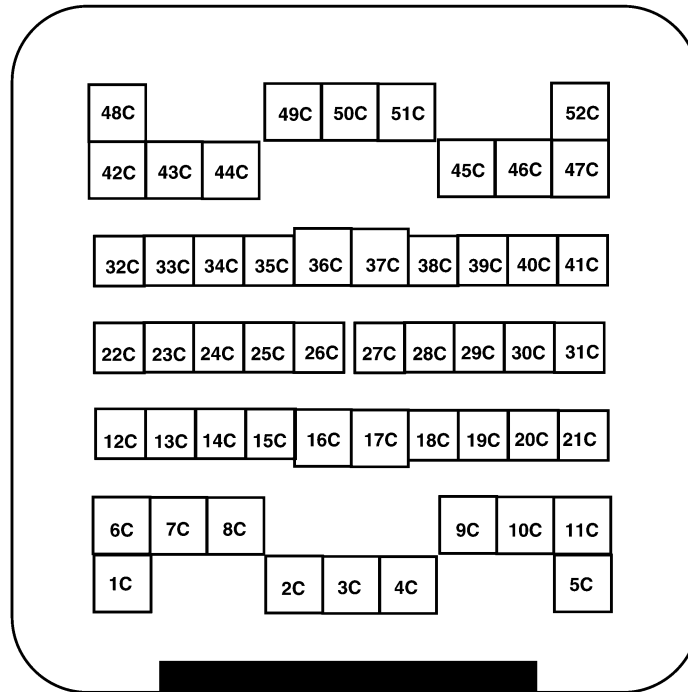
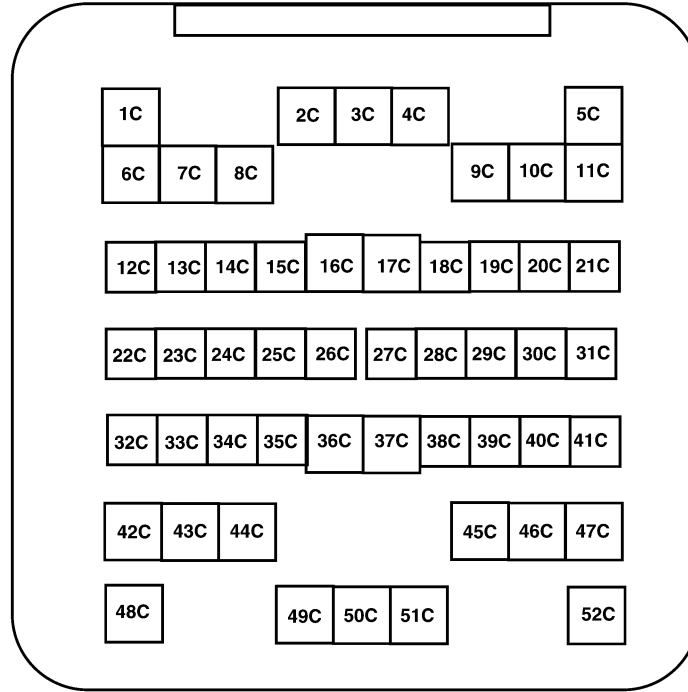


# SUPER MULTIPLE JUNCTION (SMJ)

CHASSIS HARNESS



(C1) (Gray)



(E41) (Gray)

ENGINE ROOM HARNESS

WKIA1845E

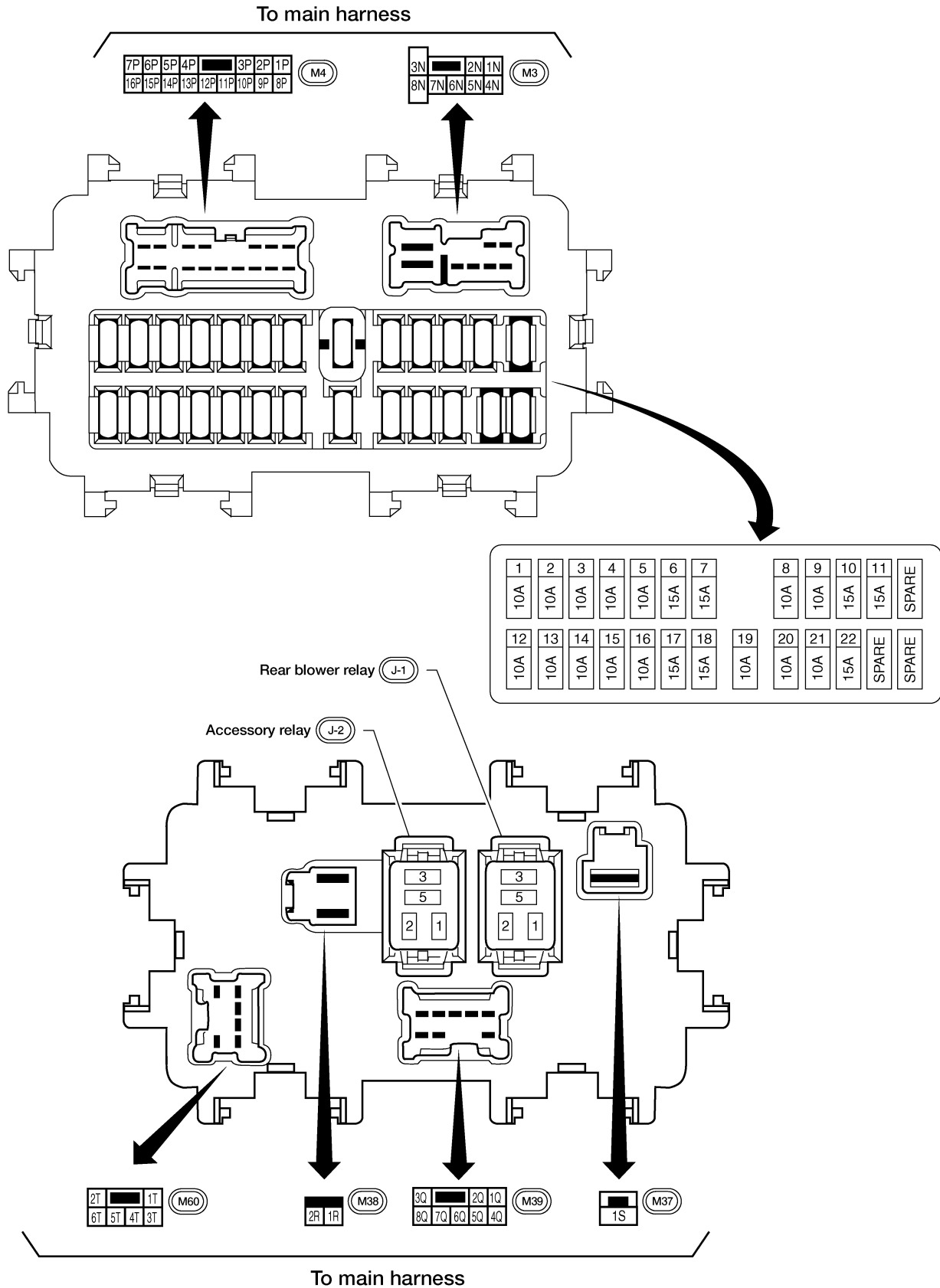
# FUSE BLOCK-JUNCTION BOX(J/B)

## FUSE BLOCK-JUNCTION BOX(J/B)

### Terminal Arrangement

PF24350

EKS00B71



A  
B  
C  
D  
E  
F  
G  
H  
I  
J  
PG  
L  
M

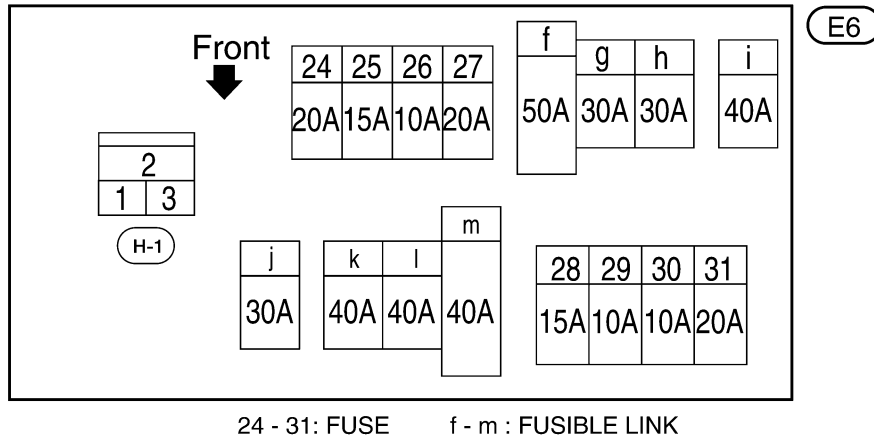
# FUSE AND FUSIBLE LINK BOX

## FUSE AND FUSIBLE LINK BOX

PF24381

### Terminal Arrangement

EKS00B72



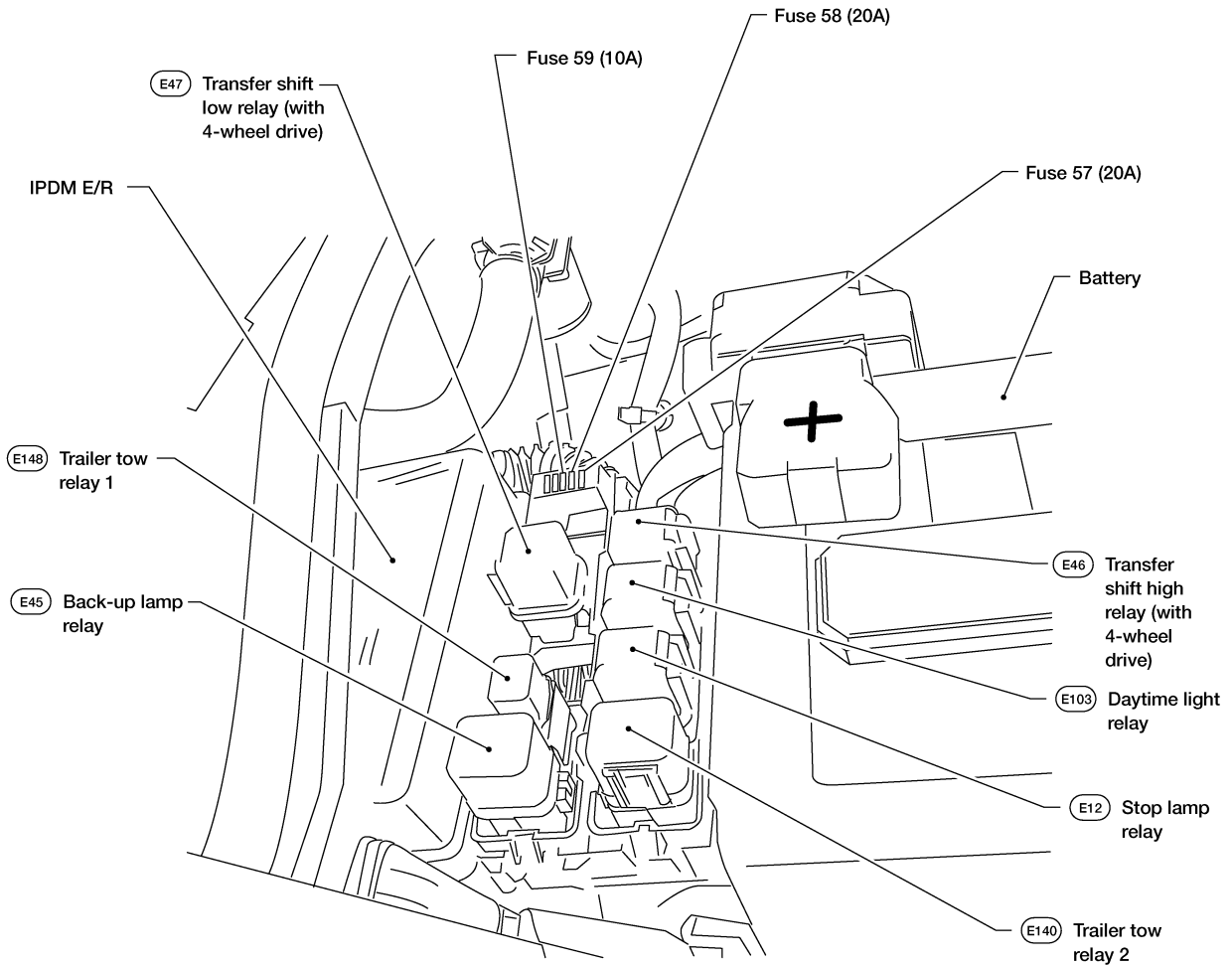
# FUSE AND RELAY BOX

PFP:24012

EKS00B73

## FUSE AND RELAY BOX

### Terminal Arrangement



A  
B  
C  
D  
E  
F  
G  
H  
I  
J  
K  
L  
M

PG

WKIA2017E

# FUSE AND RELAY BOX

---