

SECTION **SE**  
SEAT

A  
B  
C

CONTENTS

D  
E

|                                                                                                   |           |                                                                                  |    |    |
|---------------------------------------------------------------------------------------------------|-----------|----------------------------------------------------------------------------------|----|----|
| <b>PRECAUTIONS</b> .....                                                                          | <b>3</b>  | KEYFOB INTERLOCK OPERATION .....                                                 | 17 | F  |
| Precautions for Supplemental Restraint System (SRS) "AIR BAG" and "SEAT BELT PRE-TENSIONER" ..... | 3         | CAN Communication System Description .....                                       | 17 |    |
| Precautions for Work .....                                                                        | 3         | Schematic .....                                                                  | 18 |    |
| <b>PREPARATION</b> .....                                                                          | <b>4</b>  | Wiring Diagram — AUT/DP — .....                                                  | 20 | G  |
| Special Service Tool .....                                                                        | 4         | Terminals and Reference Values for BCM .....                                     | 29 |    |
| Commercial Service Tool .....                                                                     | 4         | Terminals and Reference Values for Driver Seat Control Unit .....                | 29 | H  |
| <b>SQUEAK AND RATTLE TROUBLE DIAGNOSES</b> .....                                                  | <b>5</b>  | Terminals and Reference Values for Automatic Drive Positioner Control Unit ..... | 31 |    |
| Work Flow .....                                                                                   | 5         | Work Flow .....                                                                  | 33 |    |
| CUSTOMER INTERVIEW .....                                                                          | 5         | Preliminary Check .....                                                          | 34 | SE |
| DUPLICATE THE NOISE AND TEST DRIVE .....                                                          | 6         | SETTING CHANGE FUNCTION .....                                                    | 34 |    |
| CHECK RELATED SERVICE BULLETINS .....                                                             | 6         | POWER SUPPLY AND GROUND CIRCUIT INSPECTION .....                                 | 34 | J  |
| LOCATE THE NOISE AND IDENTIFY THE ROOT CAUSE .....                                                | 6         | CONSULT-II Function (AUTO DRIVE POS.) .....                                      | 37 |    |
| REPAIR THE CAUSE .....                                                                            | 6         | CONSULT-II INSPECTION PROCEDURE .....                                            | 37 |    |
| CONFIRM THE REPAIR .....                                                                          | 7         | SELF-DIAGNOSIS RESULTS .....                                                     | 39 | K  |
| Generic Squeak and Rattle Troubleshooting .....                                                   | 7         | DATA MONITOR .....                                                               | 40 |    |
| INSTRUMENT PANEL .....                                                                            | 7         | ACTIVE TEST .....                                                                | 40 |    |
| CENTER CONSOLE .....                                                                              | 7         | CAN Communication Inspection Using CONSULT-II (Self-Diagnosis) .....             | 41 | L  |
| DOORS .....                                                                                       | 7         | Symptom Chart .....                                                              | 41 |    |
| TRUNK .....                                                                                       | 8         | Sliding Motor Circuit Inspection .....                                           | 43 |    |
| SUNROOF/HEADLINING .....                                                                          | 8         | Reclining Motor LH Circuit Inspection .....                                      | 44 | M  |
| OVERHEAD CONSOLE (FRONT AND REAR).....                                                            | 8         | Lifting Motor (Front) Circuit Inspection .....                                   | 45 |    |
| SEATS .....                                                                                       | 8         | Lifting Motor (Rear) Circuit Inspection .....                                    | 47 |    |
| UNDERHOOD .....                                                                                   | 8         | Pedal Adjusting Motor Circuit Inspection .....                                   | 48 |    |
| Diagnostic Worksheet .....                                                                        | 9         | Mirror Motor LH Circuit Check .....                                              | 49 |    |
| <b>AUTOMATIC DRIVE POSITIONER</b> .....                                                           | <b>11</b> | Mirror Motor RH Circuit Check .....                                              | 51 |    |
| Component Parts And Harness Connector Location .....                                              | 11        | Sliding Sensor Circuit Inspection .....                                          | 53 |    |
| Manual Operation .....                                                                            | 12        | Reclining Sensor Circuit Inspection .....                                        | 54 |    |
| Automatic Operation .....                                                                         | 12        | Lifting Sensor (Front) Circuit Inspection .....                                  | 55 |    |
| System Description .....                                                                          | 12        | Lifting Sensor (Rear) Circuit Inspection .....                                   | 56 |    |
| FAIL- SAFE MODE .....                                                                             | 14        | Pedal Adjusting Sensor Circuit Inspection .....                                  | 57 |    |
| CANCEL OF FAIL-SAFE MODE .....                                                                    | 14        | Mirror Sensor LH Circuit Check .....                                             | 58 |    |
| MEMORY STORING AND KEYFOB INTER-LOCK STORING .....                                                | 15        | Mirror Sensor RH Circuit Check .....                                             | 60 |    |
| MEMORY OPERATION .....                                                                            | 16        | Sliding Switch Circuit Inspection .....                                          | 62 |    |
| ENTRY OPERATION .....                                                                             | 16        | Reclining Switch Inspection .....                                                | 63 |    |
| EXITING OPERATION .....                                                                           | 16        | Lifting Switch (Front) Circuit Inspection .....                                  | 65 |    |
|                                                                                                   |           | Lifting Switch (Rear) Circuit Inspection .....                                   | 66 |    |

|                                                                              |           |                                                                                 |           |
|------------------------------------------------------------------------------|-----------|---------------------------------------------------------------------------------|-----------|
| Power Seat Switch Ground Inspection .....                                    | 67        | <b>HEATED SEAT .....</b>                                                        | <b>86</b> |
| Pedal Adjusting Switch Circuit Inspection .....                              | 68        | Description .....                                                               | 86        |
| Door Mirror Remote Control Switch (Changeover<br>Switch) Circuit Check ..... | 70        | Wiring Diagram – HSEAT – .....                                                  | 87        |
| Door Mirror Remote Control Switch (Mirror Switch)<br>Circuit Check .....     | 71        | <b>FRONT SEAT .....</b>                                                         | <b>89</b> |
| Door Mirror Remote Control Switch Ground Circuit<br>Inspection .....         | 72        | Removal and Installation .....                                                  | 89        |
| Seat Memory Switch Circuit Inspection .....                                  | 73        | REMOVAL .....                                                                   | 92        |
| Seat Memory Indicator Lamp Circuit Inspection ....                           | 75        | INSTALLATION .....                                                              | 92        |
| Door Mirror Sensor Power Supply and Ground Cir-<br>cuit inspection .....     | 76        | Disassembly and Assembly .....                                                  | 92        |
| A/T Device (Detent Switch) Circuit Inspection .....                          | 77        | SEATBACK TRIM AND PAD .....                                                     | 92        |
| Front Door Switch LH Circuit Inspection .....                                | 78        | REMOVAL OF SEATBACK ASSEMBLY .....                                              | 93        |
| UART Communication Line Circuit Inspection .....                             | 79        | INSTALLATION OF SEATBACK ASSEMBLY ....                                          | 94        |
| Removal and Installation .....                                               | 81        | SEAT CUSHION TRIM AND PAD (DRIVER) OR<br>SEAT CUSHION ASSEMBLY (PASSENGER) .... | 94        |
| <b>POWER SEAT .....</b>                                                      | <b>82</b> | <b>REAR SEAT .....</b>                                                          | <b>96</b> |
| Schematic .....                                                              | 82        | Removal and Installation .....                                                  | 96        |
| Wiring Diagram – SEAT – .....                                                | 83        | SECOND ROW OUTBOARD .....                                                       | 96        |
|                                                                              |           | SECOND ROW CENTER .....                                                         | 96        |
|                                                                              |           | THIRD ROW .....                                                                 | 96        |
|                                                                              |           | Disassembly and Assembly .....                                                  | 98        |

# PRECAUTIONS

## PRECAUTIONS

PF0:00001

### Precautions for Supplemental Restraint System (SRS) “AIR BAG” and “SEAT BELT PRE-TENSIONER”

EIS00404

The Supplemental Restraint System such as “AIR BAG” and “SEAT BELT PRE-TENSIONER”, used along with a front seat belt, helps to reduce the risk or severity of injury to the driver and front passenger for certain types of collision. This system includes seat belt switch inputs and dual stage front air bag modules. The SRS system uses the seat belt switches to determine the front air bag deployment, and may only deploy one front air bag, depending on the severity of a collision and whether the front occupants are belted or unbelted. Information necessary to service the system safely is included in the SRS and SB section of this Service Manual.

#### **WARNING:**

- To avoid rendering the SRS inoperative, which could increase the risk of personal injury or death in the event of a collision which would result in air bag inflation, all maintenance must be performed by an authorized NISSAN/INFINITI dealer.
- Improper maintenance, including incorrect removal and installation of the SRS, can lead to personal injury caused by unintentional activation of the system. For removal of Spiral Cable and Air Bag Module, see the SRS section.
- Do not use electrical test equipment on any circuit related to the SRS unless instructed to in this Service Manual. SRS wiring harnesses can be identified by yellow and/or orange harnesses or harness connectors.

### Precautions for Work

EIS00405

- When removing or disassembling each component, be careful not to damage or deform it. If a component may be subject to interference, be sure to protect it with a shop cloth.
- When removing (disengaging) components with a screwdriver or similar tool, be sure to wrap the component with a shop cloth or vinyl tape to protect it.
- Protect the removed parts with a shop cloth and keep them.
- Replace a deformed or damaged clip.
- If a part is specified as a non-reusable part, always replace it with new one.
- Be sure to tighten bolts and nuts securely to the specified torque.
- After re-installation is completed, be sure to check that each part works normally.
- Follow the steps below to clean components.
  - Water soluble foul: Dip a soft cloth into lukewarm water, and wring the water out of the cloth to wipe the fouled area. Then rub with a soft and dry cloth.
  - Oily foul: Dip a soft cloth into lukewarm water with mild detergent (concentration: within 2 to 3%), and wipe the fouled area. Then dip a cloth into fresh water, and wring the water out of the cloth to wipe the detergent off. Then rub with a soft and dry cloth.
- Do not use organic solvent such as thinner, benzene, alcohol, or gasoline.
- For genuine leather seats, use a genuine leather seat cleaner.

# PREPARATION

## PREPARATION

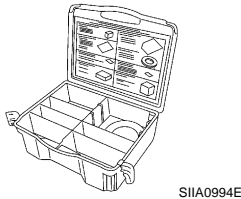
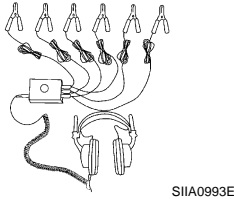
PFP:00002

### Special Service Tool

EIS00406

The actual shapes of Kent-Moore tools may differ from those of special service tools illustrated here.

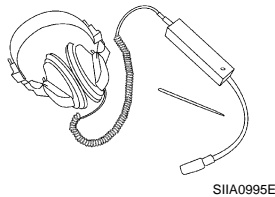
| Tool number<br>(Kent-Moore No.)<br>Tool name      | Description                  |
|---------------------------------------------------|------------------------------|
| —<br>(J-39570)<br>Chassis ear                     | Locating the noise           |
| —<br>(J-43980)<br>NISSAN Squeak and Rattle<br>Kit | Repairing the cause of noise |



## Commercial Service Tool

EIS00407

| (Kent-Moore No.)<br>Tool name | Description        |
|-------------------------------|--------------------|
| (J-39565)<br>Engine ear       | Locating the noise |



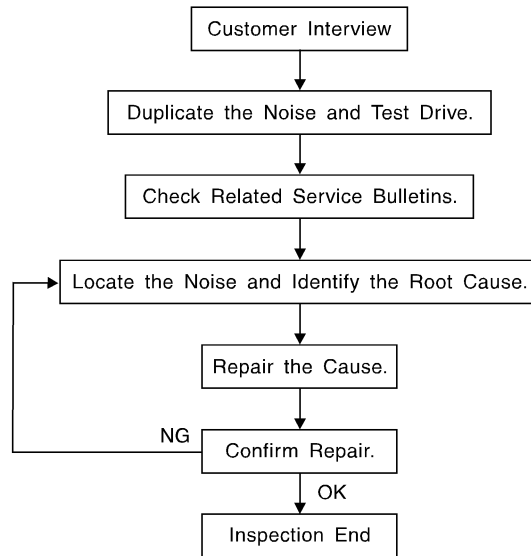
# SQUEAK AND RATTLE TROUBLE DIAGNOSES

PF0:0000

## SQUEAK AND RATTLE TROUBLE DIAGNOSES

### Work Flow

EIS00408



SBT842

### CUSTOMER INTERVIEW

Interview the customer if possible, to determine the conditions that exist when the noise occurs. Use the Diagnostic Worksheet during the interview to document the facts and conditions when the noise occurs and any customer's comments; refer to [SE-9, "Diagnostic Worksheet"](#). This information is necessary to duplicate the conditions that exist when the noise occurs.

- The customer may not be able to provide a detailed description or the location of the noise. Attempt to obtain all the facts and conditions that exist when the noise occurs (or does not occur).
- If there is more than one noise in the vehicle, be sure to diagnose and repair the noise that the customer is concerned about. This can be accomplished by test driving the vehicle with the customer.
- After identifying the type of noise, isolate the noise in terms of its characteristics. The noise characteristics are provided so the customer, service adviser and technician are all speaking the same language when defining the noise.
- Squeak —(Like tennis shoes on a clean floor)  
Squeak characteristics include the light contact/fast movement/brought on by road conditions/hard surfaces = higher pitch noise/softer surfaces = lower pitch noises/edge to surface = chirping.
- Creak—(Like walking on an old wooden floor)  
Creak characteristics include firm contact/slow movement/twisting with a rotational movement/pitch dependent on materials/often brought on by activity.
- Rattle—(Like shaking a baby rattle)  
Rattle characteristics include the fast repeated contact/vibration or similar movement/loose parts/missing clip or fastener/incorrect clearance.
- Knock —(Like a knock on a door)  
Knock characteristics include hollow sounding/sometimes repeating/often brought on by driver action.
- Tick—(Like a clock second hand)  
Tick characteristics include gentle contacting of light materials/loose components/can be caused by driver action or road conditions.
- Thump—(Heavy, muffled knock noise)  
Thump characteristics include softer knock/dead sound often brought on by activity.
- Buzz—(Like a bumble bee)  
Buzz characteristics include high frequency rattle/firm contact.
- Often the degree of acceptable noise level will vary depending upon the person. A noise that you may judge as acceptable may be very irritating to the customer.
- Weather conditions, especially humidity and temperature, may have a great effect on noise level.

# SQUEAK AND RATTLE TROUBLE DIAGNOSES

## DUPLICATE THE NOISE AND TEST DRIVE

If possible, drive the vehicle with the customer until the noise is duplicated. Note any additional information on the Diagnostic Worksheet regarding the conditions or location of the noise. This information can be used to duplicate the same conditions when you confirm the repair.

If the noise can be duplicated easily during the test drive, to help identify the source of the noise, try to duplicate the noise with the vehicle stopped by doing one or all of the following:

- 1) Close a door.
  - 2) Tap or push/pull around the area where the noise appears to be coming from.
  - 3) Rev the engine.
  - 4) Use a floor jack to recreate vehicle "twist".
  - 5) At idle, apply engine load (electrical load, half-clutch on M/T model, drive position on A/T model).
  - 6) Raise the vehicle on a hoist and hit a tire with a rubber hammer.
- Drive the vehicle and attempt to duplicate the conditions the customer states exist when the noise occurs.
  - If it is difficult to duplicate the noise, drive the vehicle slowly on an undulating or rough road to stress the vehicle body.

## CHECK RELATED SERVICE BULLETINS

After verifying the customer concern or symptom, check ASIST for Technical Service Bulletins (TSBs) related to that concern or symptom.

If a TSB relates to the symptom, follow the procedure to repair the noise.

## LOCATE THE NOISE AND IDENTIFY THE ROOT CAUSE

1. Narrow down the noise to a general area. To help pinpoint the source of the noise, use a listening tool (Chassis Ear: J-39570, Engine Ear: J-39565 and mechanic's stethoscope).
2. Narrow down the noise to a more specific area and identify the cause of the noise by:
  - removing the components in the area that you suspect the noise is coming from. Do not use too much force when removing clips and fasteners, otherwise clips and fasteners can be broken or lost during the repair, resulting in the creation of new noise.
  - tapping or pushing/pulling the component that you suspect is causing the noise. Do not tap or push/pull the component with excessive force, otherwise the noise will be eliminated only temporarily.
  - feeling for a vibration with your hand by touching the component(s) that you suspect is (are) causing the noise.
  - placing a piece of paper between components that you suspect are causing the noise.
  - looking for loose components and contact marks.  
Refer to [SE-7, "Generic Squeak and Rattle Troubleshooting"](#).

## REPAIR THE CAUSE

- If the cause is a loose component, tighten the component securely.
- If the cause is insufficient clearance between components:
  - separate components by repositioning or loosening and retightening the component, if possible.
  - insulate components with a suitable insulator such as urethane pads, foam blocks, felt cloth tape or urethane tape. A NISSAN Squeak and Rattle Kit (J-43980) is available through your authorized NISSAN Parts Department.

### CAUTION:

**Do not use excessive force as many components are constructed of plastic and may be damaged.**

**Always check with the Parts Department for the latest parts information.**

**The following materials are contained in the NISSAN Squeak and Rattle Kit (J-43980). Each item can be ordered separately as needed.**

**URETHANE PADS [1.5 mm (0.059 in) thick]**

**Insulates connectors, harness, etc.**

**76268-9E005: 100×135 mm (3.94×5.31 in)/76884-71L01: 60×85 mm (2.36×3.35 in)/76884-71L02: 15×25 mm (0.59×0.98 in)**

**INSULATOR (Foam blocks)**

**Insulates components from contact. Can be used to fill space behind a panel.**

**73982-9E000: 45 mm (1.77 in) thick, 50×50 mm (1.97×1.97 in)/73982-50Y00: 10 mm (0.39 in) thick, 50×50 mm (1.97×1.97 in)**

**INSULATOR (Light foam block)**

# SQUEAK AND RATTLE TROUBLE DIAGNOSES

**80845-71L00: 30 mm (1.18 in) thick, 30×50 mm (1.18×1.97 in)**

## FELT CLOTH TAPE

Used to insulate where movement does not occur. Ideal for instrument panel applications.

**68370-4B000: 15×25 mm (0.59×0.98 in) pad/68239-13E00: 5 mm (0.20 in) wide tape roll.** The following materials not found in the kit can also be used to repair squeaks and rattles.

## UHMW (TEFLON) TAPE

Insulates where slight movement is present. Ideal for instrument panel applications.

## SILICONE GREASE

Used instead of UHMW tape that will be visible or not fit.

**Note: Will only last a few months.**

## SILICONE SPRAY

Use when grease cannot be applied.

## DUCT TAPE

Use to eliminate movement.

## CONFIRM THE REPAIR

Confirm that the cause of a noise is repaired by test driving the vehicle. Operate the vehicle under the same conditions as when the noise originally occurred. Refer to the notes on the Diagnostic Worksheet.

## Generic Squeak and Rattle Troubleshooting

EIS00409

Refer to Table of Contents for specific component removal and installation information.

## INSTRUMENT PANEL

Most incidents are caused by contact and movement between:

1. The cluster lid A and instrument panel
2. Acrylic lens and combination meter housing
3. Instrument panel to front pillar garnish
4. Instrument panel to windshield
5. Instrument panel mounting pins
6. Wiring harnesses behind the combination meter
7. A/C defroster duct and duct joint

These incidents can usually be located by tapping or moving the components to duplicate the noise or by pressing on the components while driving to stop the noise. Most of these incidents can be repaired by applying felt cloth tape or silicone spray (in hard to reach areas). Urethane pads can be used to insulate wiring harness.

### CAUTION:

**Do not use silicone spray to isolate a squeak or rattle. If you saturate the area with silicone, you will not be able to recheck the repair.**

## CENTER CONSOLE

Components to pay attention to include:

1. Shifter assembly cover to finisher
2. A/C control unit and cluster lid C
3. Wiring harnesses behind audio and A/C control unit

The instrument panel repair and isolation procedures also apply to the center console.

## DOORS

Pay attention to the:

1. Finisher and inner panel making a slapping noise
2. Inside handle escutcheon to door finisher
3. Wiring harnesses tapping
4. Door striker out of alignment causing a popping noise on starts and stops

Tapping or moving the components or pressing on them while driving to duplicate the conditions can isolate many of these incidents. You can usually insulate the areas with felt cloth tape or insulator foam blocks from the NISSAN Squeak and Rattle Kit (J-43980) to repair the noise.

# SQUEAK AND RATTLE TROUBLE DIAGNOSES

---

## TRUNK

Trunk noises are often caused by a loose jack or loose items put into the trunk by the owner. In addition look for:

1. Trunk lid bumpers out of adjustment
2. Trunk lid striker out of adjustment
3. The trunk lid torsion bars knocking together
4. A loose license plate or bracket

Most of these incidents can be repaired by adjusting, securing or insulating the item(s) or component(s) causing the noise.

## SUNROOF/HEADLINING

Noises in the sunroof/headlining area can often be traced to one of the following:

1. Sunroof lid, rail, linkage or seals making a rattle or light knocking noise
2. Sun visor shaft shaking in the holder
3. Front or rear windshield touching headliner and squeaking

Again, pressing on the components to stop the noise while duplicating the conditions can isolate most of these incidents. Repairs usually consist of insulating with felt cloth tape.

## OVERHEAD CONSOLE (FRONT AND REAR)

Overhead console noises are often caused by the console panel clips not being engaged correctly. Most of these incidents are repaired by pushing up on the console at the clip locations until the clips engage.

In addition look for:

1. Loose harness or harness connectors.
2. Front console map/reading lamp lense loose.
3. Loose screws at console attachment points.

## SEATS

When isolating seat noise it's important to note the position the seat is in and the load placed on the seat when the noise is present. These conditions should be duplicated when verifying and isolating the cause of the noise.

Cause of seat noise include:

1. Headrest rods and holder
2. A squeak between the seat pad cushion and frame
3. The rear seatback lock and bracket

These noises can be isolated by moving or pressing on the suspected components while duplicating the conditions under which the noise occurs. Most of these incidents can be repaired by repositioning the component or applying urethane tape to the contact area.

## UNDERHOOD

Some interior noise may be caused by components under the hood or on the engine wall. The noise is then transmitted into the passenger compartment.

Causes of transmitted underhood noise include:

1. Any component mounted to the engine wall
2. Components that pass through the engine wall
3. Engine wall mounts and connectors
4. Loose radiator mounting pins
5. Hood bumpers out of adjustment
6. Hood striker out of adjustment

These noises can be difficult to isolate since they cannot be reached from the interior of the vehicle. The best method is to secure, move or insulate one component at a time and test drive the vehicle. Also, engine RPM or load can be changed to isolate the noise. Repairs can usually be made by moving, adjusting, securing, or insulating the component causing the noise.



# SQUEAK AND RATTLE TROUBLE DIAGNOSES

## Diagnostic Worksheet

EIS0040A



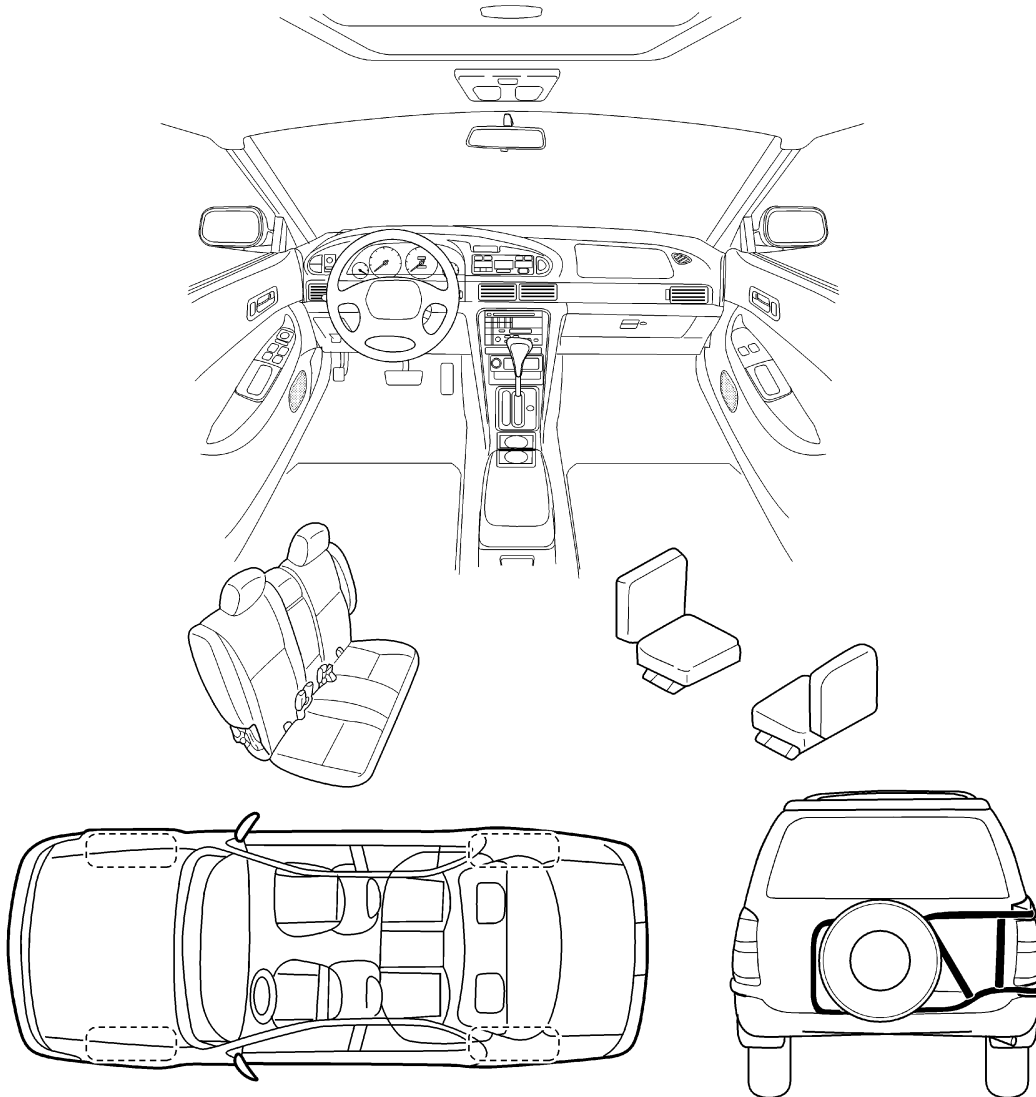
### SQUEAK & RATTLE DIAGNOSTIC WORKSHEET

Dear Nissan Customer:

We are concerned about your satisfaction with your Nissan vehicle. Repairing a squeak or rattle sometimes can be very difficult. To help us fix your Nissan right the first time, please take a moment to note the area of the vehicle where the squeak or rattle occurs and under what conditions. You may be asked to take a test drive with a service advisor or technician to ensure we confirm the noise you are hearing.

#### I. WHERE DOES THE NOISE COME FROM? (circle the area of the vehicle)

The illustrations are for reference only, and may not reflect the actual configuration of your vehicle.



Continue to the back of the worksheet and briefly describe the location of the noise or rattle. In addition, please indicate the conditions which are present when the noise occurs.

LIWA0276E

A  
B  
C  
D  
E  
F  
G  
H  
SE  
J  
K  
L  
M

# SQUEAK AND RATTLE TROUBLE DIAGNOSES

## SQUEAK & RATTLE DIAGNOSTIC WORKSHEET- page 2

**Briefly describe the location where the noise occurs:**

\_\_\_\_\_

\_\_\_\_\_

**II. WHEN DOES IT OCCUR? (check the boxes that apply)**

- |                                                              |                                                       |
|--------------------------------------------------------------|-------------------------------------------------------|
| <input type="checkbox"/> anytime                             | <input type="checkbox"/> after sitting out in the sun |
| <input type="checkbox"/> 1 <sup>st</sup> time in the morning | <input type="checkbox"/> when it is raining or wet    |
| <input type="checkbox"/> only when it is cold outside        | <input type="checkbox"/> dry or dusty conditions      |
| <input type="checkbox"/> only when it is hot outside         | <input type="checkbox"/> other: _____                 |

**III. WHEN DRIVING:**

- through driveways
- over rough roads
- over speed bumps
- only at about \_\_\_\_ mph
- on acceleration
- coming to a stop
- on turns : left, right or either (circle)
- with passengers or cargo
- other: \_\_\_\_\_
- after driving \_\_\_\_ miles or \_\_\_\_ minutes

**IV. WHAT TYPE OF NOISE?**

- squeak (like tennis shoes on a clean floor)
- creak (like walking on an old wooden floor)
- rattle (like shaking a baby rattle)
- knock (like a knock on a door)
- tick (like a clock second hand)
- thump (heavy, muffled knock noise)
- buzz (like a bumble bee)

**TO BE COMPLETED BY DEALERSHIP PERSONNEL**

**Test Drive Notes:**

\_\_\_\_\_

\_\_\_\_\_

|                                                    | <u>YES</u>               | <u>NO</u>                | <u>Initials of person performing</u> |
|----------------------------------------------------|--------------------------|--------------------------|--------------------------------------|
| Vehicle test driven with customer                  | <input type="checkbox"/> | <input type="checkbox"/> | _____                                |
| - Noise verified on test drive                     | <input type="checkbox"/> | <input type="checkbox"/> | _____                                |
| - Noise source located and repaired                | <input type="checkbox"/> | <input type="checkbox"/> | _____                                |
| - Follow up test drive performed to confirm repair | <input type="checkbox"/> | <input type="checkbox"/> | _____                                |

VIN: \_\_\_\_\_ Customer Name: \_\_\_\_\_

W.O. #: \_\_\_\_\_ Date: \_\_\_\_\_

SBT844

**This form must be attached to Work Order**

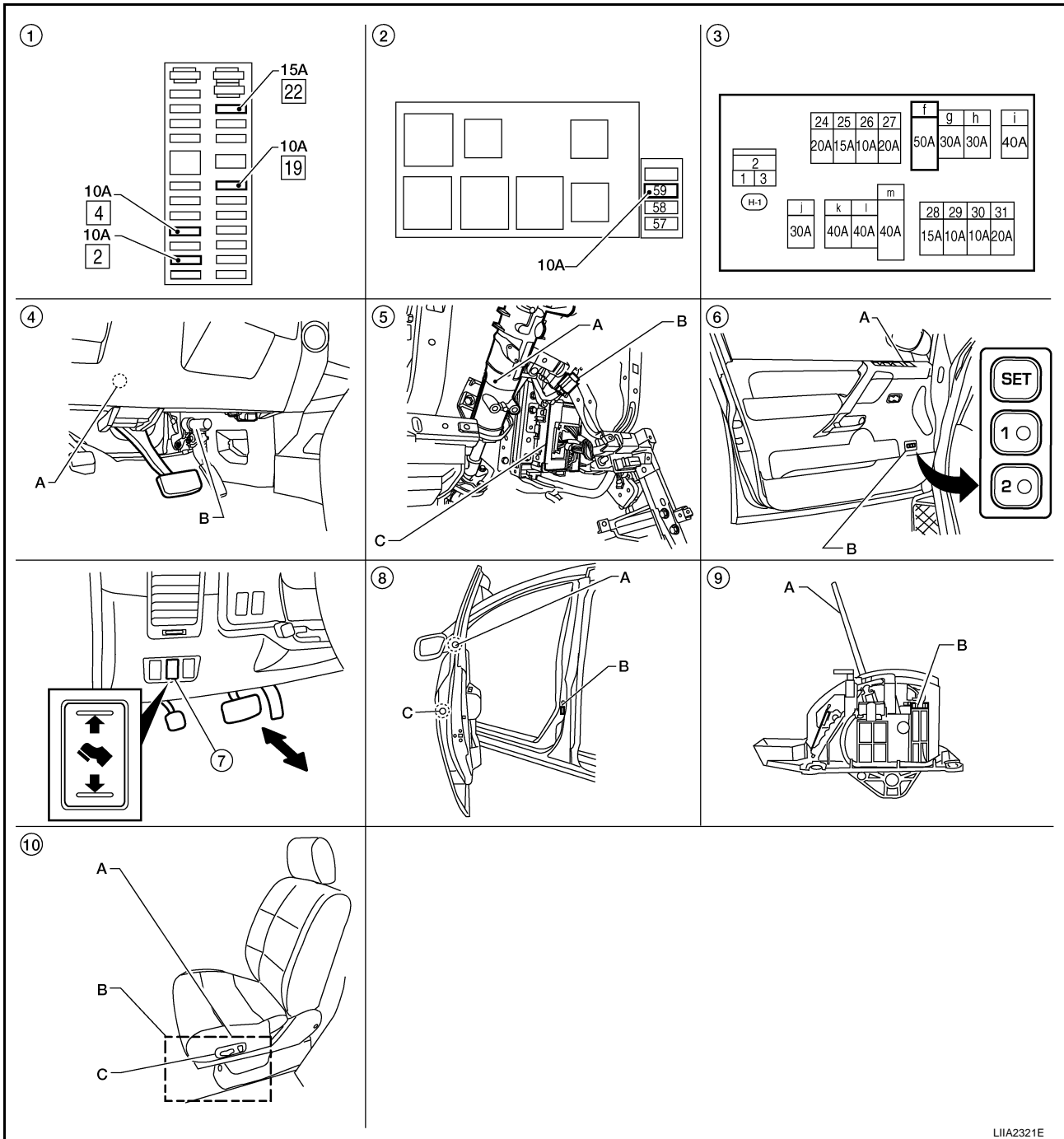
# AUTOMATIC DRIVE POSITIONER

PFP:28491

## AUTOMATIC DRIVE POSITIONER

### Component Parts And Harness Connector Location

EIS0040B



- |                                                                                                       |                                                                                                                                        |                                                                                 |
|-------------------------------------------------------------------------------------------------------|----------------------------------------------------------------------------------------------------------------------------------------|---------------------------------------------------------------------------------|
| <p>1. Fuse block (J/B)</p>                                                                            | <p>2. Fuse and relay box</p>                                                                                                           | <p>3. Fuse and fusible link box</p>                                             |
| <p>4. A. Automatic drive positioner control unit M33, M34<br/>B. Pedal adjusting motor E109, E110</p> | <p>5. A. Steering column<br/>B. Key switch and key lock solenoid M27<br/>C. BCM M18, M19, M20 (view with instrument panel removed)</p> | <p>6. A. Door mirror remote control switch D10<br/>B. Seat memory switch D5</p> |

A  
B  
C  
D  
E  
F  
G  
H  
**SE**  
J  
K  
L  
M

# AUTOMATIC DRIVE POSITIONER

- |                                                                                                                                                                                                                        |                                                                                                                                                                   |                                                                 |
|------------------------------------------------------------------------------------------------------------------------------------------------------------------------------------------------------------------------|-------------------------------------------------------------------------------------------------------------------------------------------------------------------|-----------------------------------------------------------------|
| <p>7. Pedal adjusting switch M96</p>                                                                                                                                                                                   | <p>8. A. Door mirror LH D4, door mirror RH D107<br/>         B. Front door switch LH B8<br/>         C. Front door lock assembly LH (key cylinder switch) D14</p> | <p>9. A. A/T selector lever<br/>         B. A/T device M203</p> |
| <p>10. A. Sliding motor LH P4 (driver seat view), reclining motor LH P5, lifting motor (front) P6, lifting motor (rear) P7<br/>         B. Driver seat control unit P2, P3<br/>         C. Power seat switch LH P8</p> |                                                                                                                                                                   |                                                                 |

## Manual Operation

*EIS0040C*

The driving position [seat position, pedal position (accelerator, brake) and door mirror position] can be adjusted with the power seat switch LH or pedal adjusting switch or door mirror remote control switch.

### NOTE:

- The door mirrors can be manually operated with the ignition switch turned to ACC or ON.
- Only when A/T shift lever is in P position, adjusting pedal operates (except when ignition switch turned to OFF).
- If A/T device (detent switch) error is detected, manual adjustable pedal operation cannot be performed when ignition switch turns ON.

## Automatic Operation

*EIS0040D*

| Function                   | Description                                                                                                                        |
|----------------------------|------------------------------------------------------------------------------------------------------------------------------------|
| Memory operation           | The seat, pedal (accelerator, brake) and door mirror move to the stored driving position by pushing seat memory switch (1 or 2).   |
| Entry/Exiting function     | Exiting operation<br>At exit, the seat moves backward. (Exiting position)                                                          |
|                            | Entry operation<br>At entry, the seat returns from Exiting position to the previous driving position before the Exiting operation. |
| Keyfob interlock operation | Perform memory operation, turnout operation and return operation by pressing keyfob unlock button.                                 |

### NOTE:

- Disconnecting the battery erases the stored memory.
- After connecting the battery, insert the key into the ignition cylinder and turn the front door switch LH ON (open)→OFF (close)→ON (open), the Entry/Exiting function becomes possible.
- After Exiting operation is carried out, return operation can be operated.

|                                           |                                                                                                                                                                                                                                                                                                                                                                                                                                                                                                                                                                                                          |
|-------------------------------------------|----------------------------------------------------------------------------------------------------------------------------------------------------------------------------------------------------------------------------------------------------------------------------------------------------------------------------------------------------------------------------------------------------------------------------------------------------------------------------------------------------------------------------------------------------------------------------------------------------------|
| Auto operation temporary stop conditions. | When ignition switch is turned to START during seat memory switch operation and return operation, seat memory switch operation and return operation is stopped.                                                                                                                                                                                                                                                                                                                                                                                                                                          |
| Auto operation stop conditions.           | <ul style="list-style-type: none"> <li>● When the vehicle speed becomes 7 km/h (4 MPH) or higher (memory switch operation and entry operation).</li> <li>● When the setting switch, seat memory switch 1, or 2 are pressed.</li> <li>● When A/T shift lever is in any position other than P.</li> <li>● When the door mirror remote control switch is operated (when ignition switch turned to ON).</li> <li>● When power seat switch turned ON.</li> <li>● When pedal adjusting switch turned ON.</li> <li>● When front seat sliding Entry/Exiting setting is OFF (entry/exiting operation).</li> </ul> |

### NOTE:

During automatic operation, if the ignition switch is turned ON→START, the automatic operation is suspended. When the ignition switch returns to ON, it resumes.

## System Description

*EIS0040E*

- The system automatically moves the front seat to facilitate entry/exit to/from the vehicle. The driver seat control unit can also store the optimum driving positions (front seat, pedal position and door mirror position) for 2 people. If the front seat is changed, one-touch operation allows changing to the other driving position.

## AUTOMATIC DRIVE POSITIONER

- 
- The settings (ON/OFF) of the automatic sliding seat (Entry/Exiting operation) at entry/exit can be changed as desired, using the display unit in the center of the instrument panel. The set content is transmitted by CAN communication, from display unit (without NAVI) or display control unit (with NAVI) to driver seat control unit. A
  - Using CONSULT-II, the seat slide amount at entry/exit setting can be changed. B

C

D

E

F

G

H

**SE**

J

K

L

M

# AUTOMATIC DRIVE POSITIONER

---

## FAIL- SAFE MODE

When any manual and automatic operations are not performed, if any motor operations of seats or pedals are detected for T2 or more, status is judged "Output error".

| OPERATED PORTION     | T2               |
|----------------------|------------------|
| Seat sliding         | Approx. 0.1 sec. |
| Seat reclining       | Same as above    |
| Seat lifting (Front) | Same as above    |
| Seat lifting (Rear)  | Same as above    |
| Pedal adjust         | Same as above    |

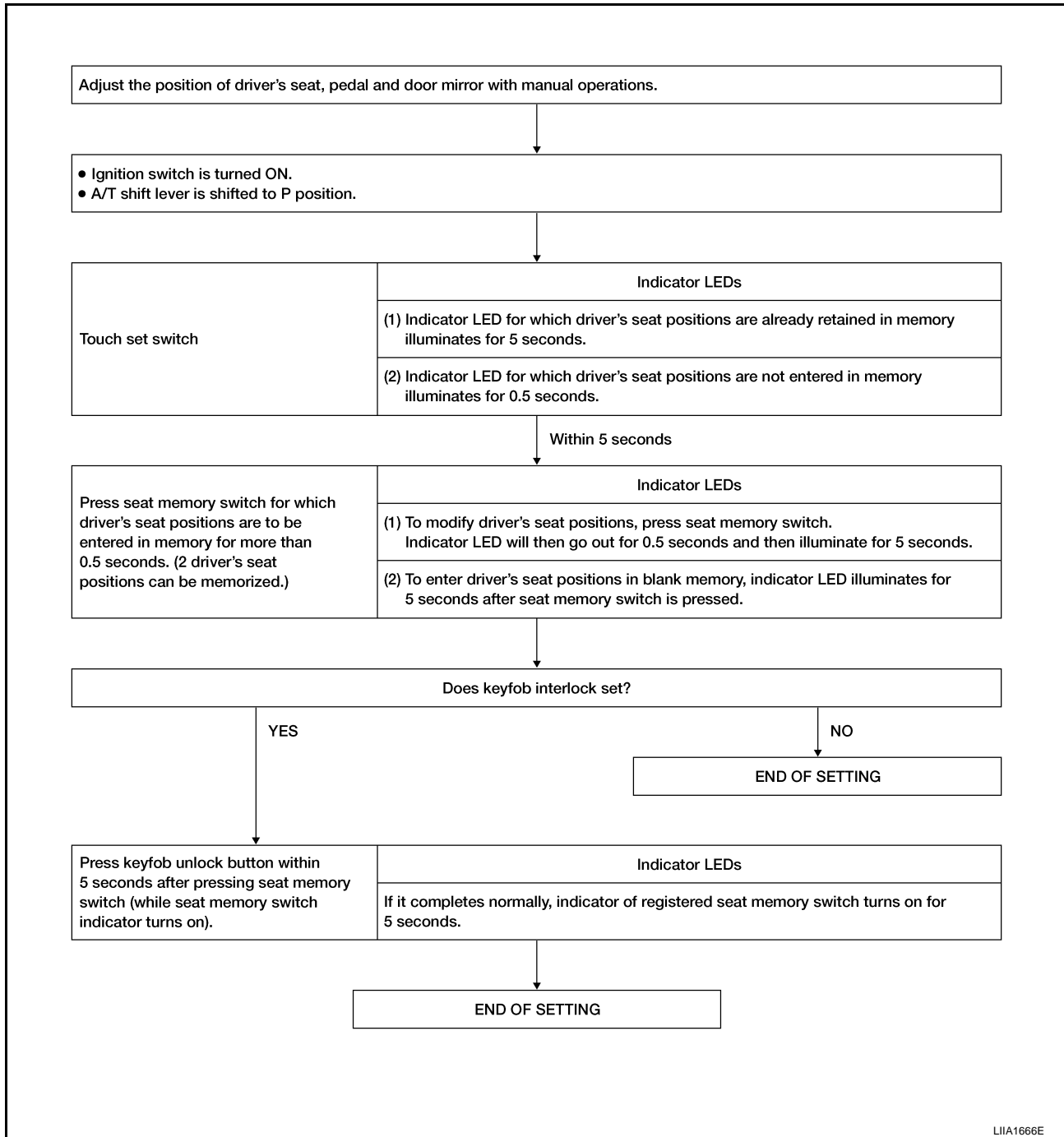
## CANCEL OF FAIL-SAFE MODE

The mode is cancelled when the selector lever is shifted to P position from any other position.

# AUTOMATIC DRIVE POSITIONER

## MEMORY STORING AND KEYFOB INTERLOCK STORING

- Store the 2 driving positions and shifts to the stored driving position with the memory switch.
- Keyfob interlock function is set simultaneously with setting driving position memory. It can set driving position to memory position.



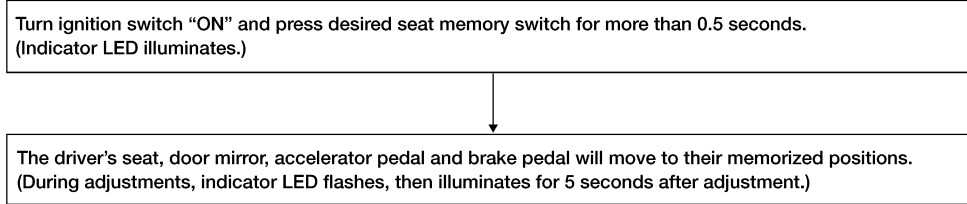
### NOTE:

- If another keyfob interlock function setting is performed by same key, the newly registered setting is valid.
- If a new memory string is performed to memory switch that already set keyfob interlock function, keyfob interlock function setting is reset.
- If the keyfob has not been previously programmed to the vehicle, keyfob interlock function cannot set.

# AUTOMATIC DRIVE POSITIONER

## MEMORY OPERATION

Selecting the memorized position.



LIA0693E

### NOTE:

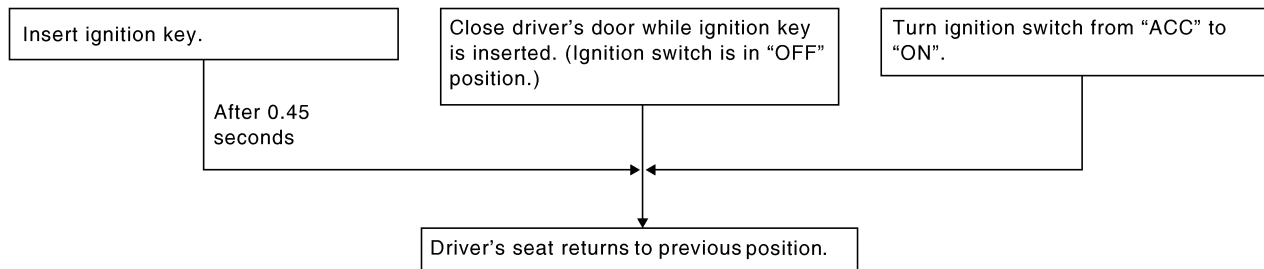
The front seat position and pedal adjustment functions (see the following table) operate simultaneously in the order of priority.

| Priority | Function                           | Priority | Function       |
|----------|------------------------------------|----------|----------------|
| 1        | Seat sliding, (door mirror LH/RH)* | 4        | Seat lifter-FR |
| 2        | Pedal                              | 5        | Seat lifter-RR |
| 3        | Seat reclining                     |          |                |

\*: In conjunction with sliding the seat, the door mirrors are positioned.

## ENTRY OPERATION

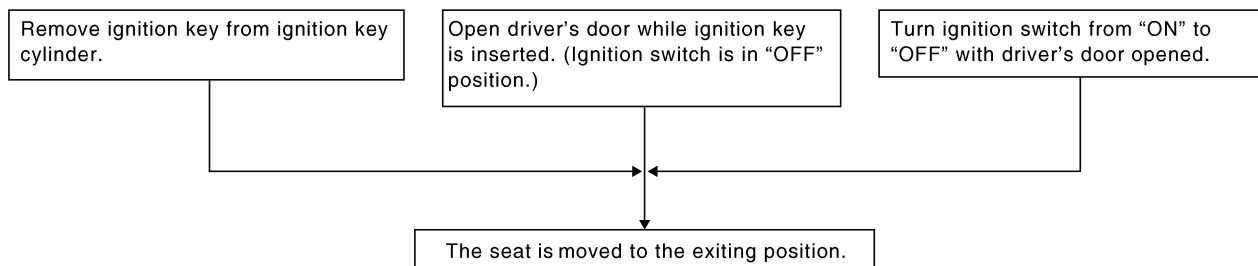
When the seat is in the exiting positions, the following operation moves the seat to the previous position before the exiting operation.



LIA0855E

## EXITING OPERATION

At Entry/Exiting, the seat is automatically moved to the exiting position.



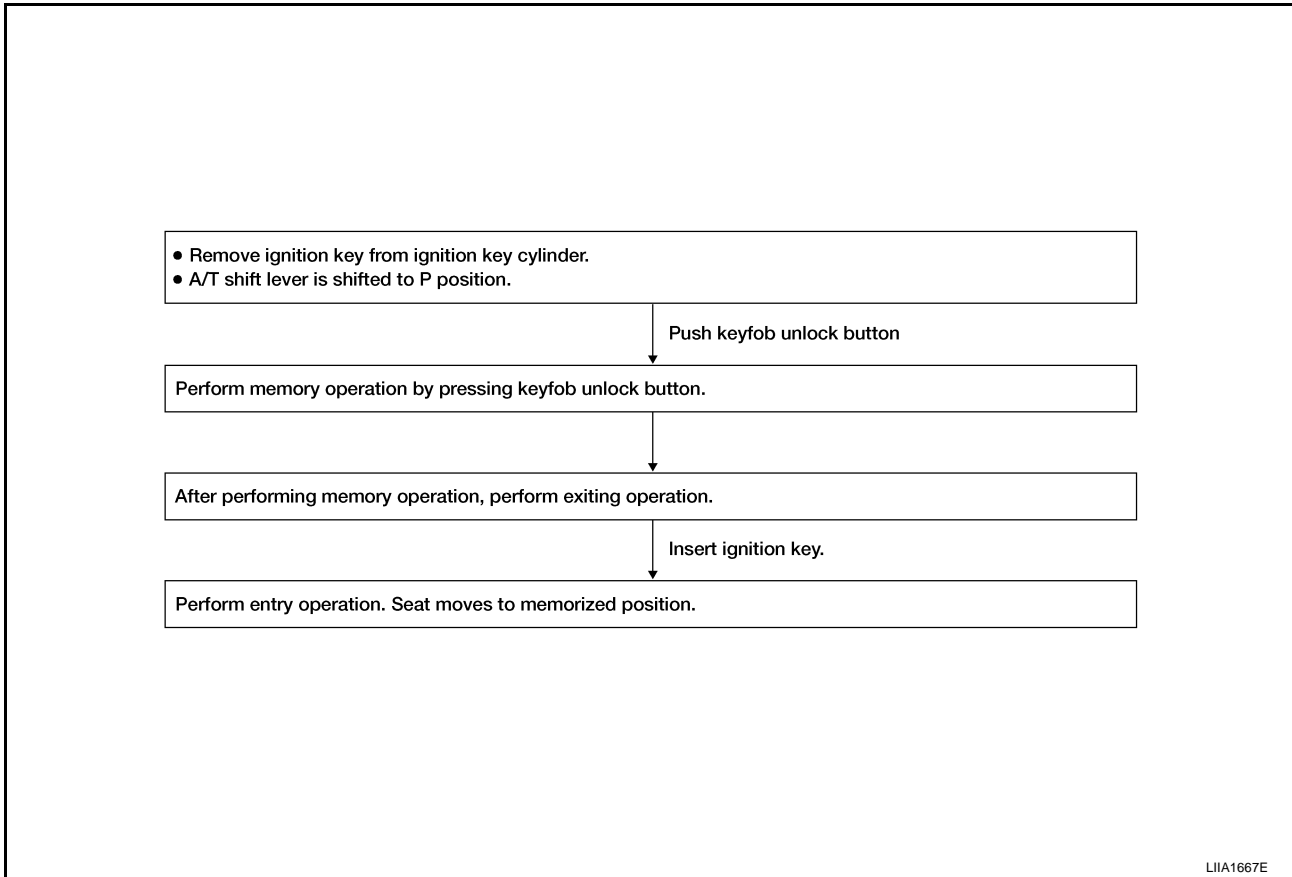
LIA0856E



# AUTOMATIC DRIVE POSITIONER

## KEYFOB INTERLOCK OPERATION

- The system performs memory operation, exiting operation and return operation by pressing keyfob unlock button.



### NOTE:

- If Entry/Exiting operation is cancelled, the system performs memory operation only.
- If ignition switch turns ON in the middle of memory operation, the system does not perform exiting operation after memory operation.
- If ignition switch turns ON in the middle of exiting operation, entry operation starts at that time.

## CAN Communication System Description

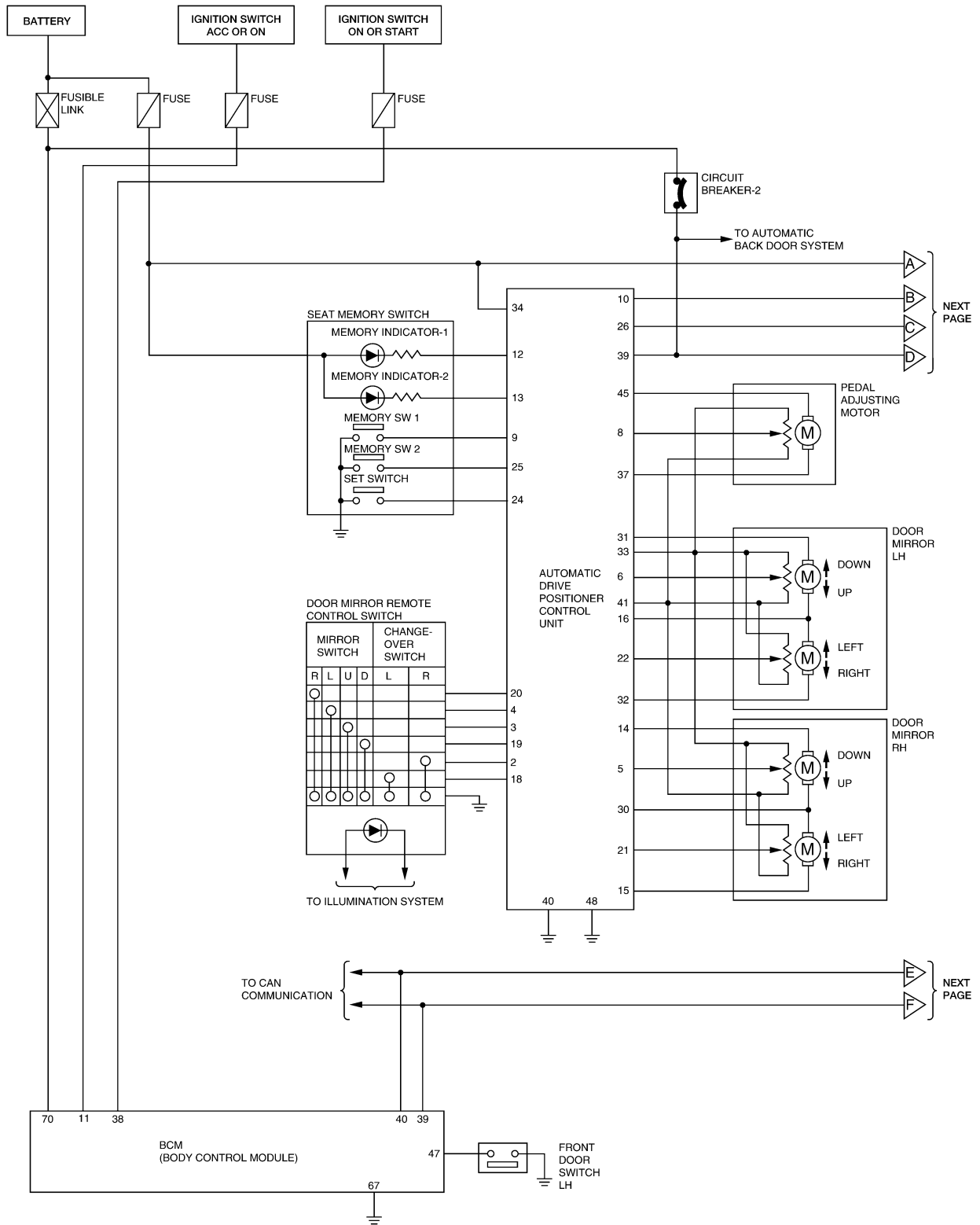
EIS0040F

Refer to [LAN-5, "CAN COMMUNICATION"](#) .

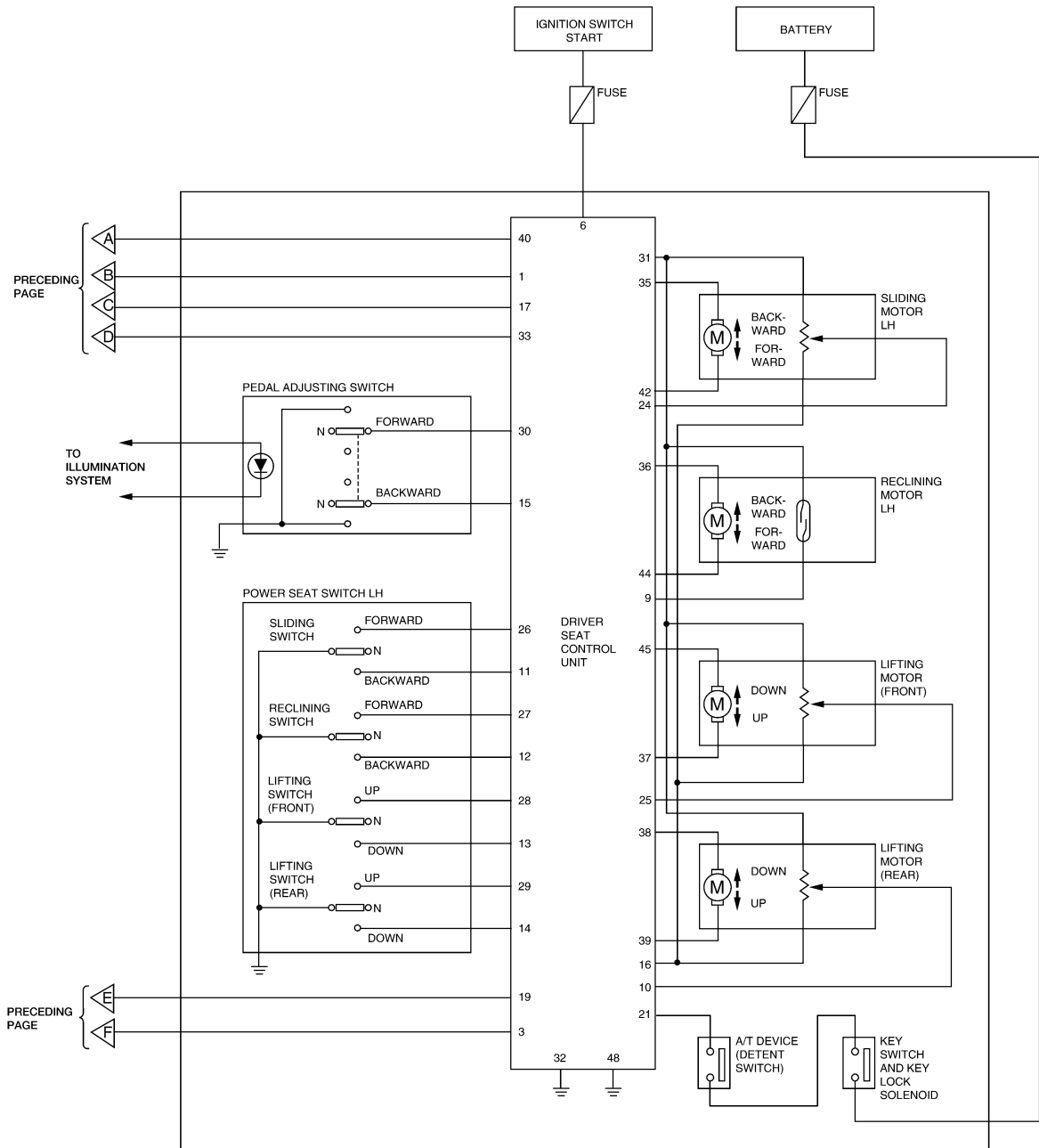
# AUTOMATIC DRIVE POSITIONER

## Schematic

EIS0040G



# AUTOMATIC DRIVE POSITIONER



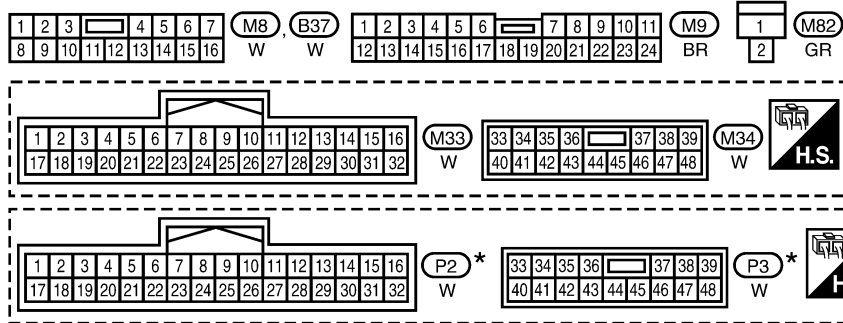
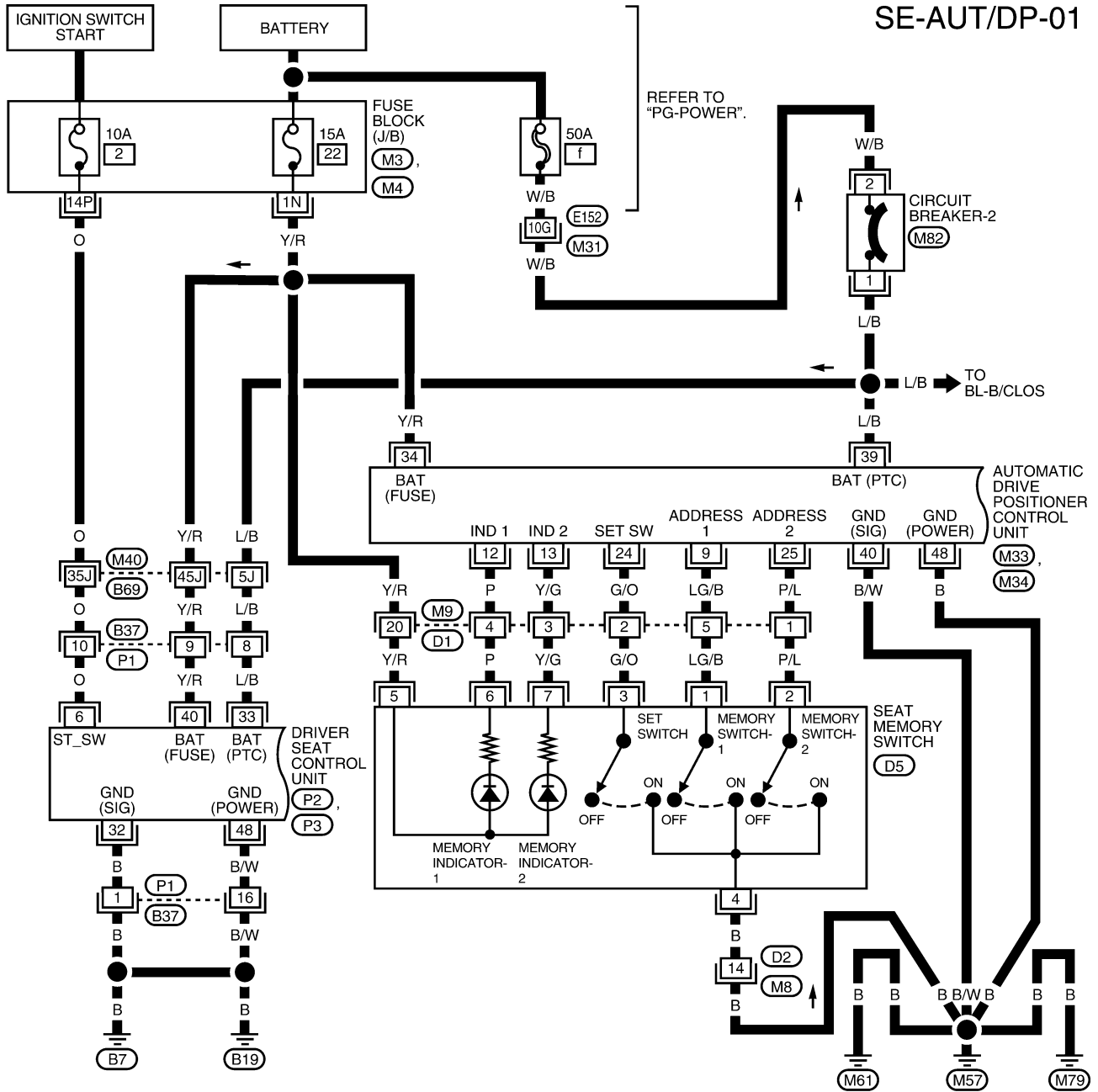
A  
B  
C  
D  
E  
F  
G  
H  
**SE**  
J  
K  
L  
M

WIWA0576E

# AUTOMATIC DRIVE POSITIONER

## Wiring Diagram — AUT/DP —

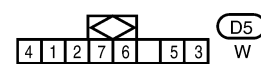
EIS0040H



REFER TO THE FOLLOWING.

(M3), (M4) - FUSE BLOCK J/B

(M31), (M40) - SUPER MULTIPLE JUNCTION (SMJ)

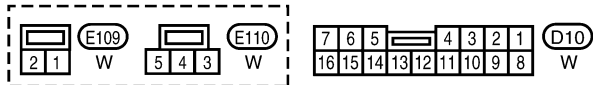
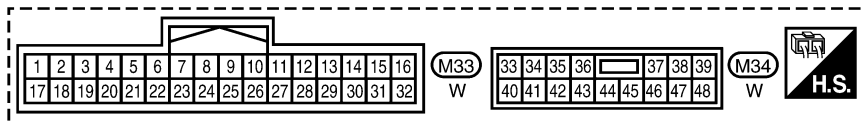
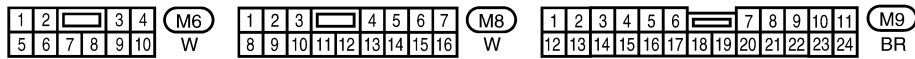
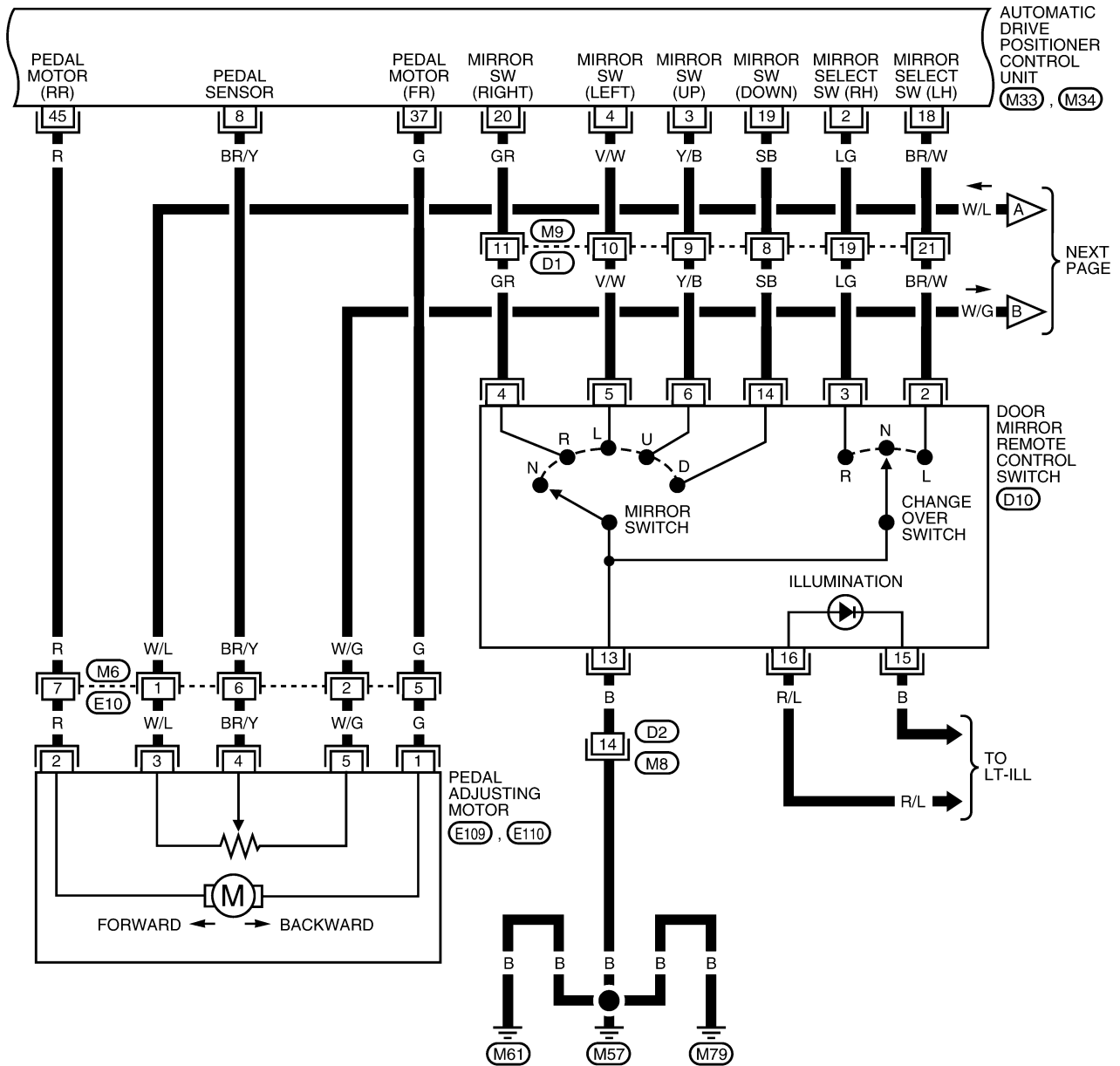


\*: THIS CONNECTOR IS NOT SHOWN IN "HARNESS LAYOUT" OF PG SECTION.

WIWA0577E

# AUTOMATIC DRIVE POSITIONER

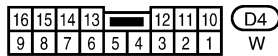
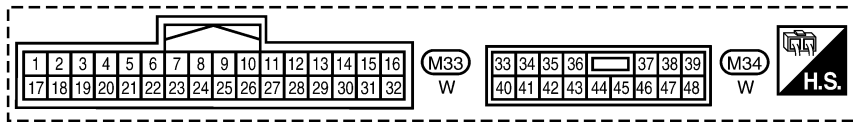
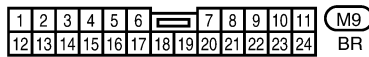
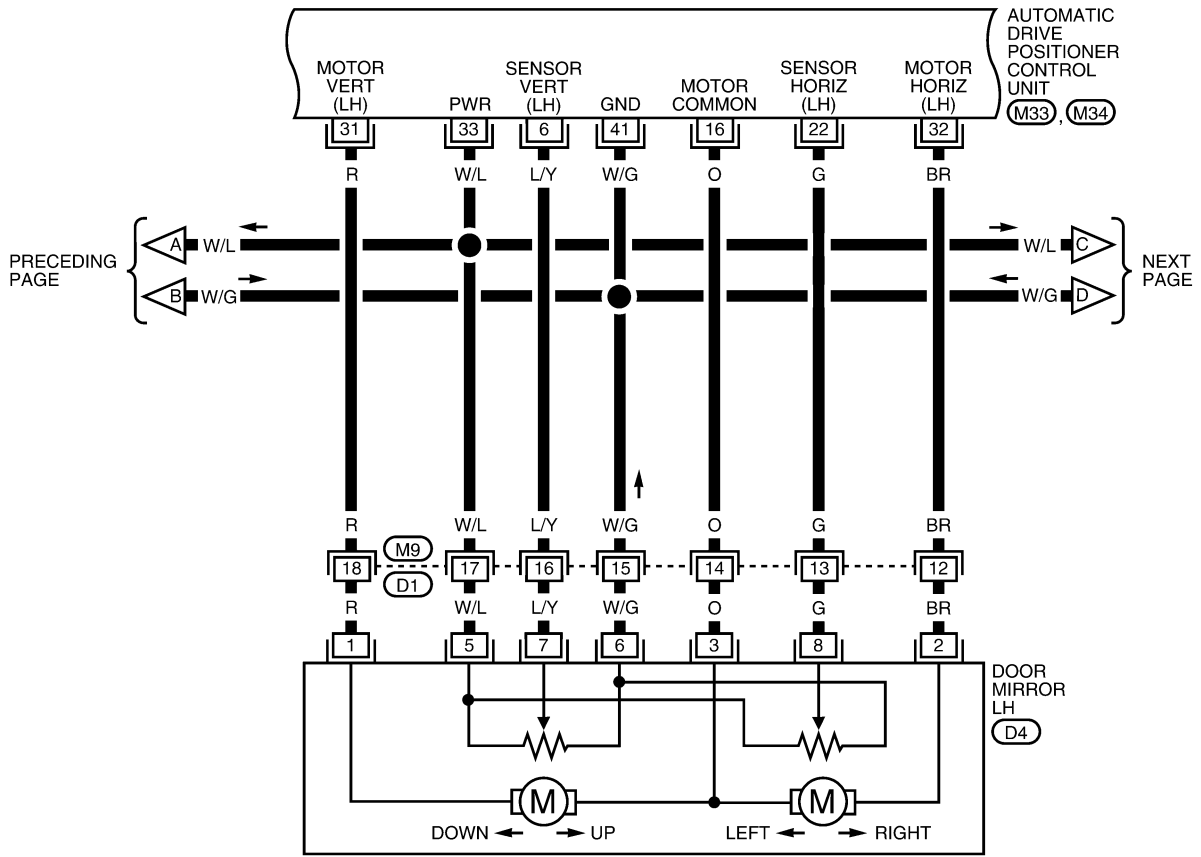
SE-AUT/DP-02



W1WA0578E

# AUTOMATIC DRIVE POSITIONER

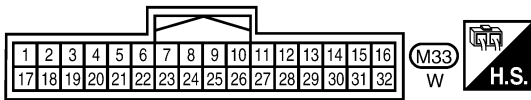
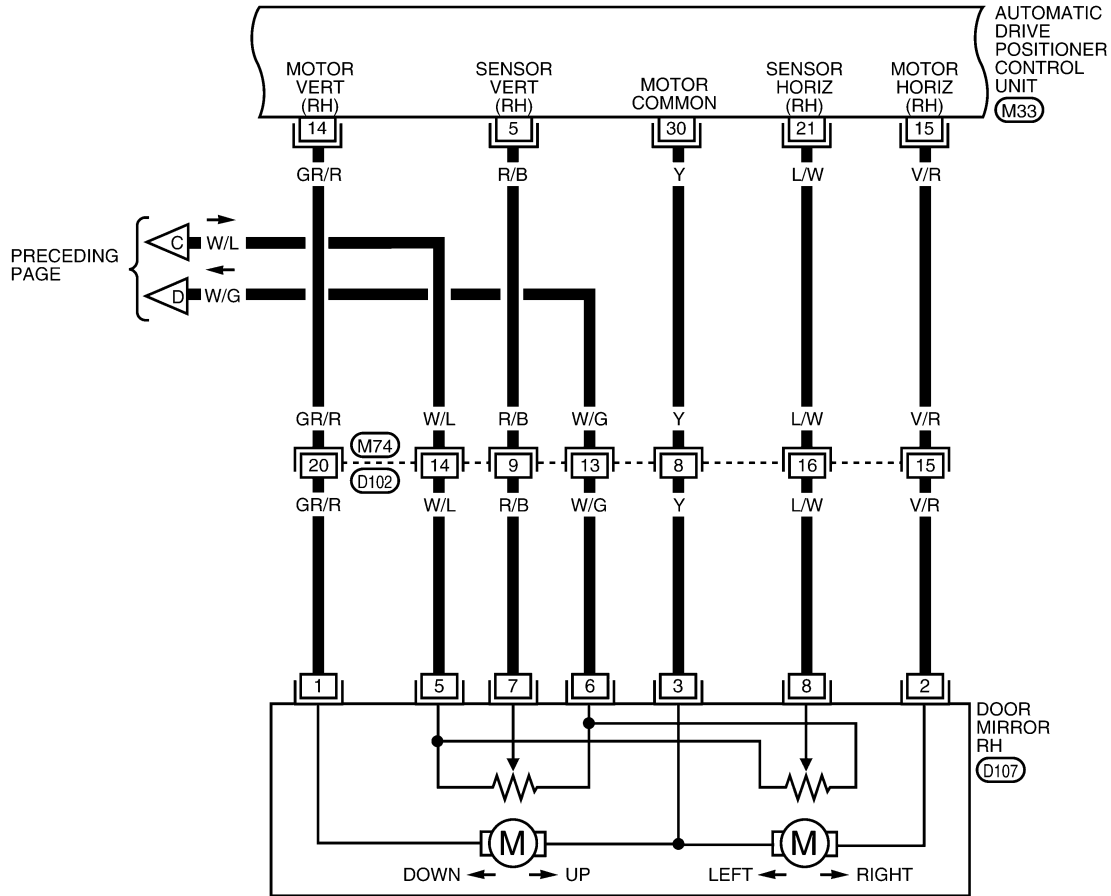
SE-AUT/DP-03



WIIWA0579E

# AUTOMATIC DRIVE POSITIONER

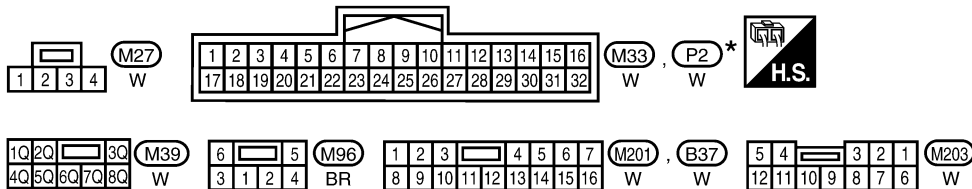
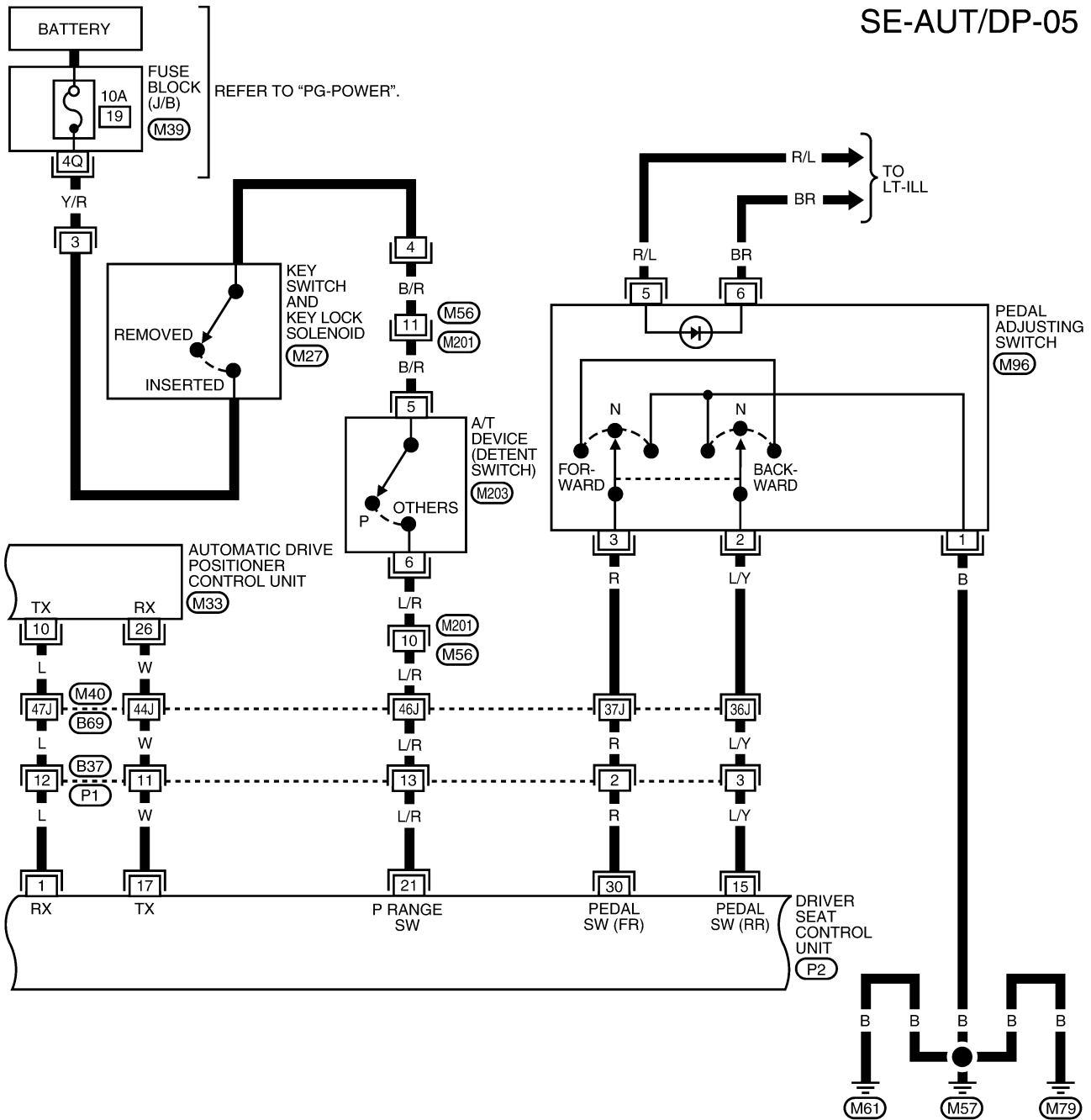
SE-AUT/DP-04



W1WA0220E

# AUTOMATIC DRIVE POSITIONER

SE-AUT/DP-05



REFER TO THE FOLLOWING.  
 (M40) - SUPER MULTIPLE JUNCTION (SMJ)

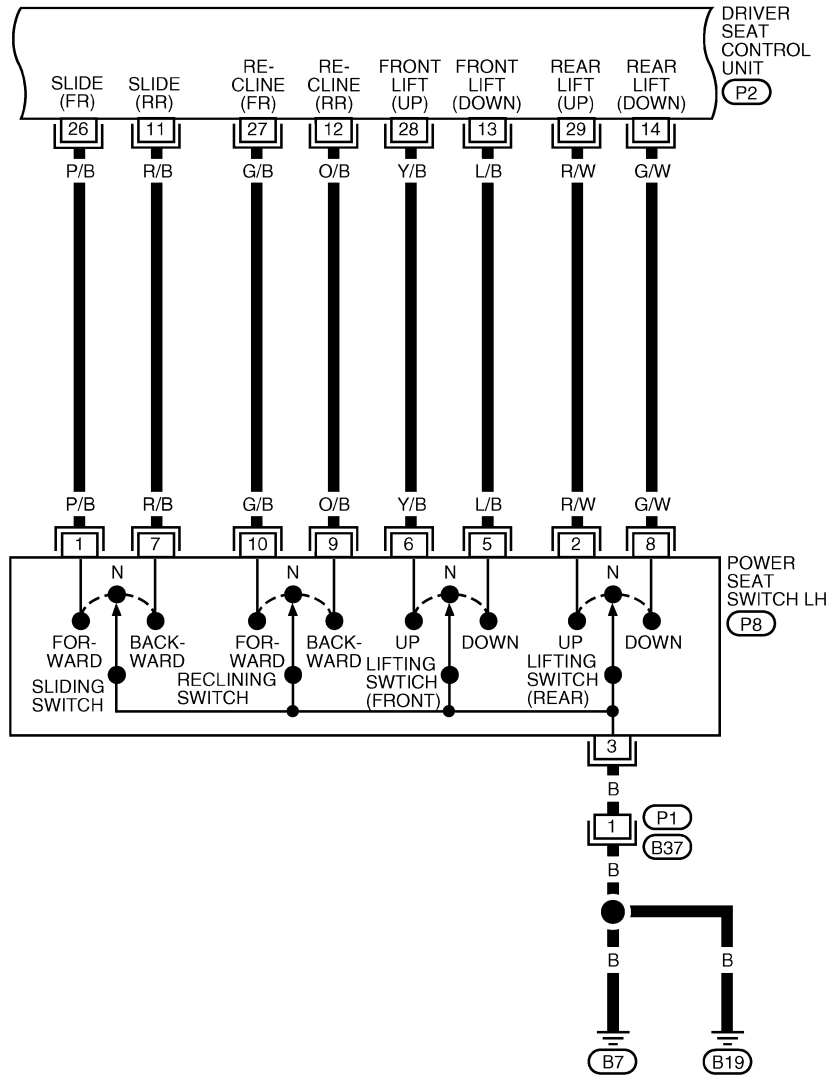
\*: THIS CONNECTOR IS NOT SHOWN IN "HARNESS LAYOUT" OF PG SECTION.

WIWA0593E

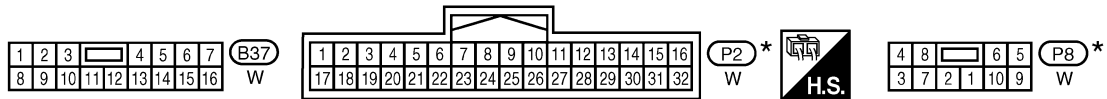


# AUTOMATIC DRIVE POSITIONER

SE-AUT/DP-06



A  
B  
C  
D  
E  
F  
G  
H  
SE  
J  
K  
L  
M

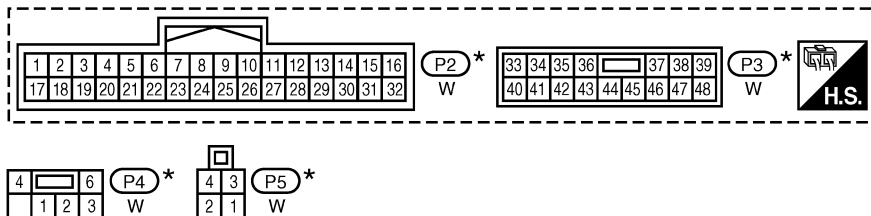
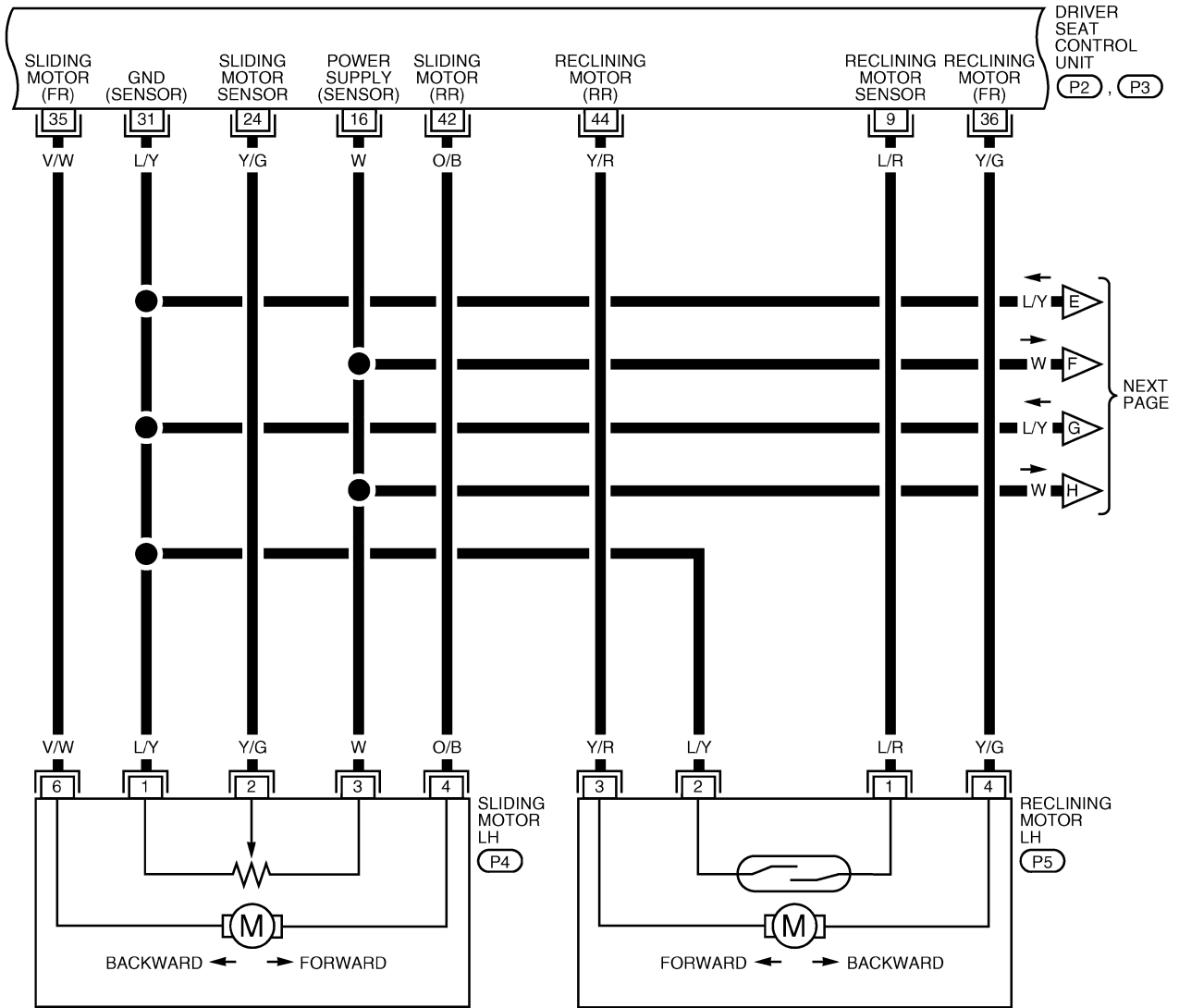


\*: THIS CONNECTOR IS NOT SHOWN IN "HARNESS LAYOUT" OF PG SECTION.

WIWA0222E

# AUTOMATIC DRIVE POSITIONER

SE-AUT/DP-07

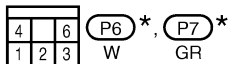
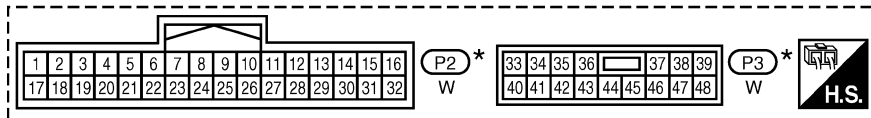
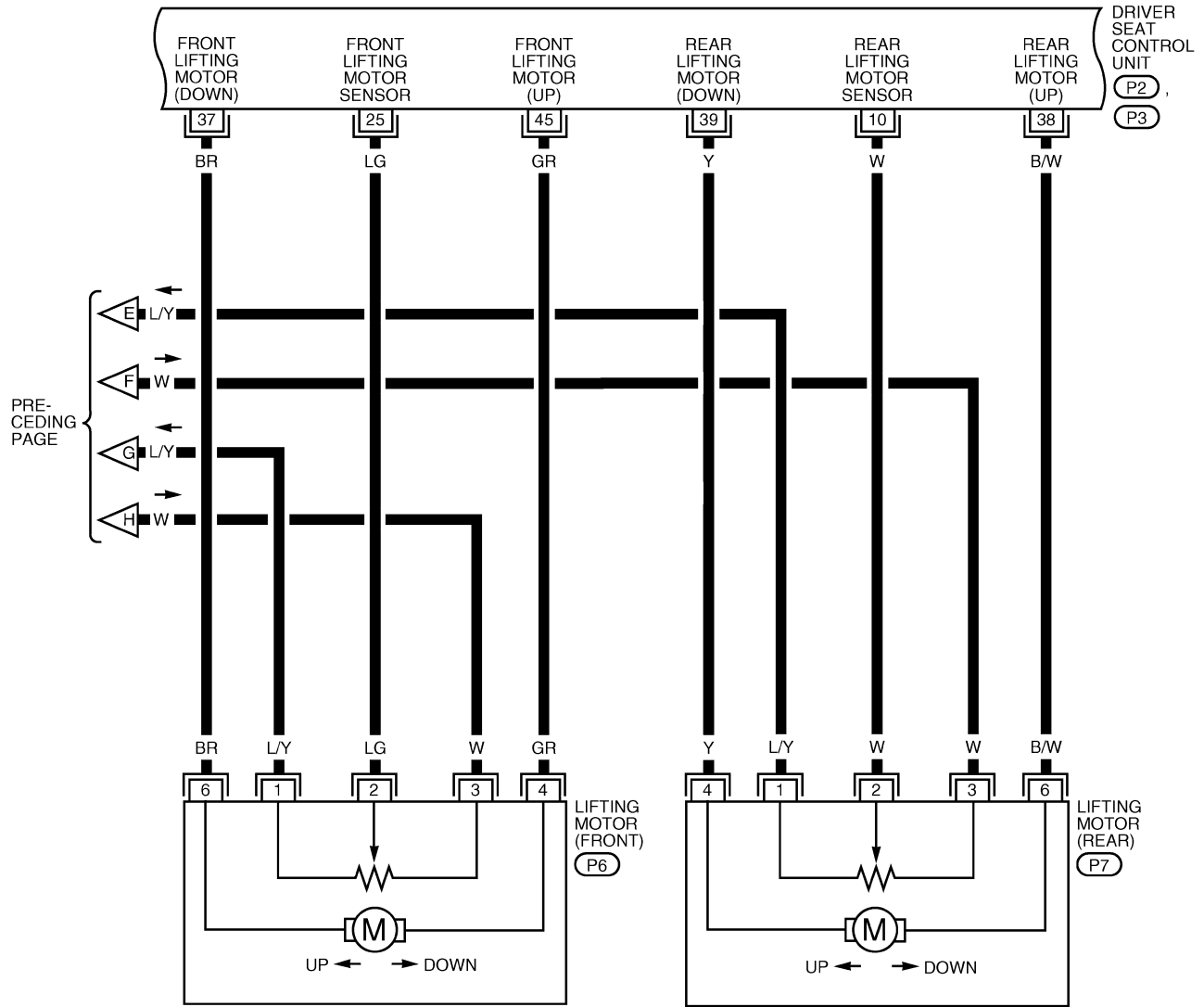


\* : THIS CONNECTOR IS NOT SHOWN IN "HARNESS LAYOUT" OF PG SECTION.

W1WA0223E

# AUTOMATIC DRIVE POSITIONER

SE-AUT/DP-08

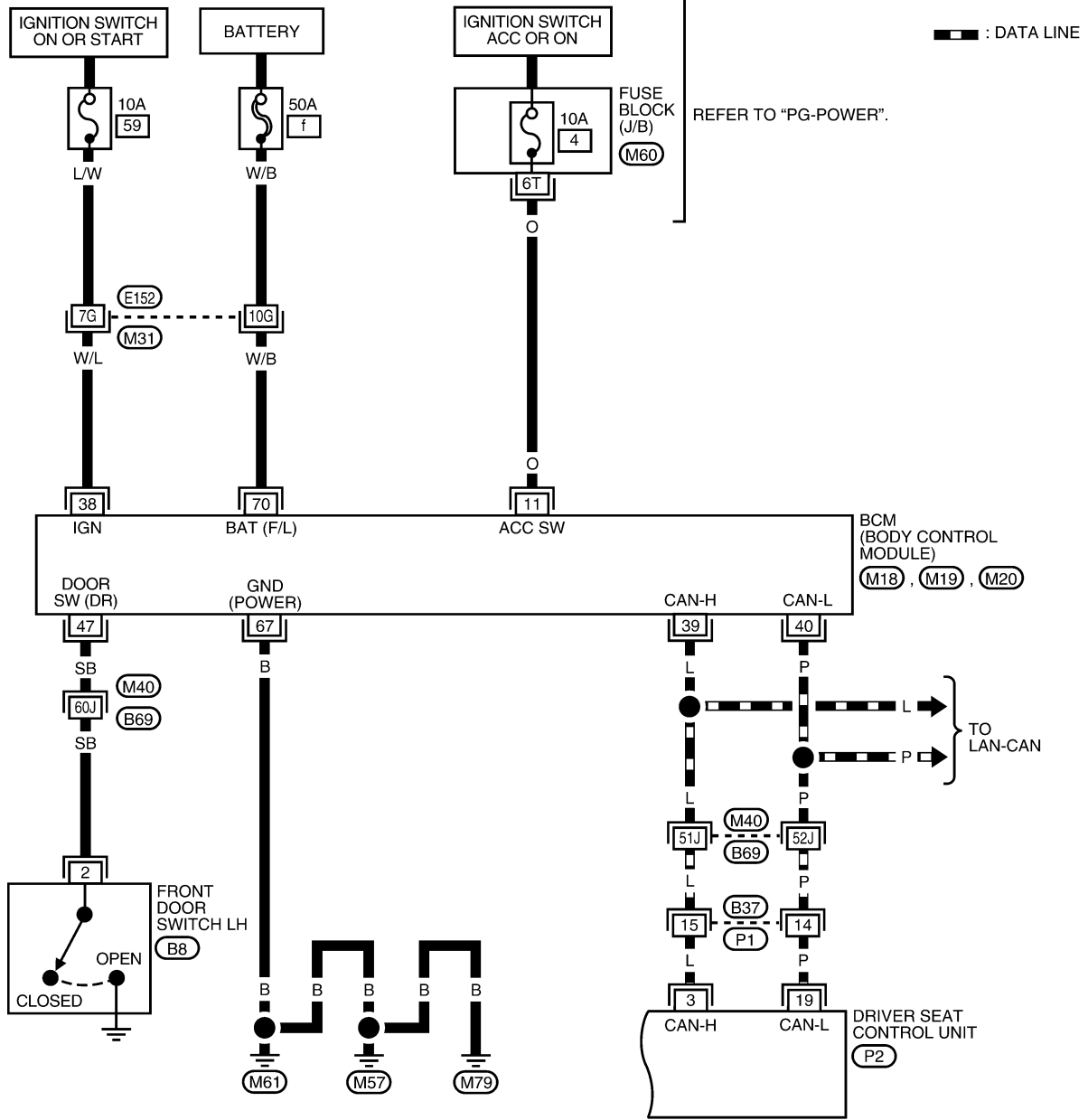


\* : THIS CONNECTOR IS NOT SHOWN IN "HARNESS LAYOUT" OF PG SECTION.

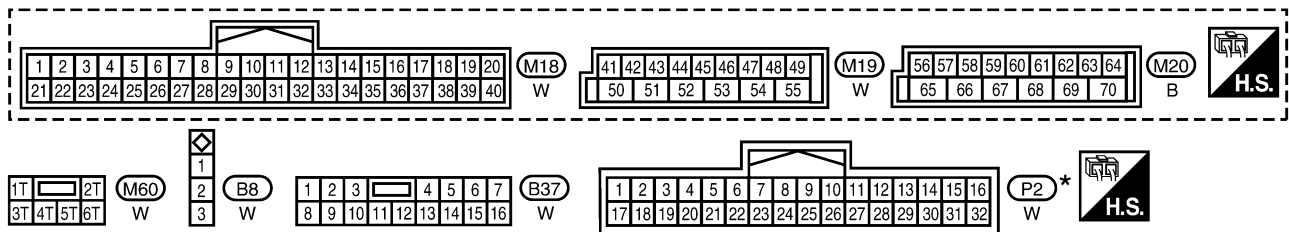
W1WA0224E

# AUTOMATIC DRIVE POSITIONER

SE-AUT/DP-09



REFER TO THE FOLLOWING.  
M31, M40 - SUPER MULTIPLE JUNCTION (SMJ)



\*: THIS CONNECTOR IS NOT SHOWN IN "HARNESS LAYOUT" OF PG SECTION.

W1WA0595E

# AUTOMATIC DRIVE POSITIONER

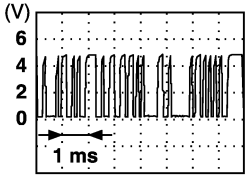
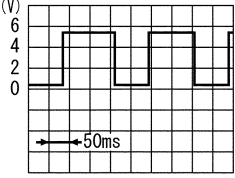
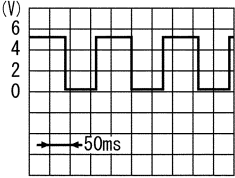
## Terminals and Reference Values for BCM

EIS0040I

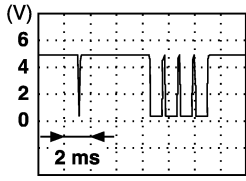
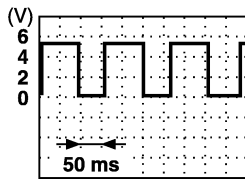
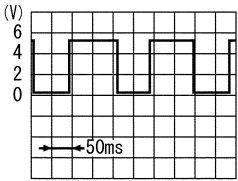
| TERMINAL | WIRE COLOR | ITEM                          | CONDITION                              | VOLTAGE (V)<br>(Approx.) |
|----------|------------|-------------------------------|----------------------------------------|--------------------------|
| 11       | O          | Ignition switch (ACC or ON)   | Ignition switch (ACC or ON position)   | Battery voltage          |
| 38       | W/L        | Ignition switch (ON or START) | Ignition switch (ON or START position) | Battery voltage          |
| 39       | L          | CAN-H                         | —                                      | —                        |
| 40       | P          | CAN-L                         | —                                      | —                        |
| 47       | SB         | Front door switch LH          | ON (Open) → OFF (Closed)               | 0 → Battery voltage      |
| 67       | B          | Ground                        | —                                      | 0                        |
| 70       | W/B        | Battery power supply          | —                                      | Battery voltage          |

## Terminals and Reference Values for Driver Seat Control Unit

EIS0040J

| TERMINAL | WIRE COLOR | ITEM                             | CONDITION                                                 | VOLTAGE (V)<br>(Approx.)                                                                                                                            |
|----------|------------|----------------------------------|-----------------------------------------------------------|-----------------------------------------------------------------------------------------------------------------------------------------------------|
| 1        | L          | UART LINE (RX)                   | Pedal adjusting switch ON (FORWARD or BACKWARD operation) |  <p style="text-align: right; font-size: small;">PIIA4813E</p>   |
| 3        | L          | CAN-H                            | —                                                         | —                                                                                                                                                   |
| 6        | O          | Ignition switch (START)          | Ignition switch (START position)                          | Battery voltage                                                                                                                                     |
| 9        | L/R        | Reclining motor sensor signal    | ON (seat reclining motor operation)                       |  <p style="text-align: right; font-size: small;">SIIA0692J</p> |
|          |            |                                  | Other than above                                          | 0 or 5                                                                                                                                              |
| 10       | W          | Rear lifting motor sensor signal | ON (rear lifting motor operation)                         |  <p style="text-align: right; font-size: small;">SIIA0693J</p> |
|          |            |                                  | Other than above                                          | 0 or 5                                                                                                                                              |
| 11       | R/B        | Sliding switch BACKWARD signal   | ON (seat sliding switch BACKWARD operation)               | 0                                                                                                                                                   |
|          |            |                                  | Other than above                                          | Battery voltage                                                                                                                                     |
| 12       | O/B        | Reclining switch BACKWARD signal | ON (seat reclining switch BACKWARD operation)             | 0                                                                                                                                                   |
|          |            |                                  | Other than above                                          | Battery voltage                                                                                                                                     |
| 13       | L/B        | Front lifting switch DOWN signal | ON (front lifting switch DOWN operation)                  | 0                                                                                                                                                   |
|          |            |                                  | Other than above                                          | Battery voltage                                                                                                                                     |

# AUTOMATIC DRIVE POSITIONER

| TERMINAL | WIRE COLOR | ITEM                                   | CONDITION                                                                   | VOLTAGE (V)<br>(Approx.)                                                                           |
|----------|------------|----------------------------------------|-----------------------------------------------------------------------------|----------------------------------------------------------------------------------------------------|
| 14       | G/W        | Rear lifting switch DOWN signal        | ON (rear lifting switch DOWN operation)                                     | 0                                                                                                  |
|          |            |                                        | Other than above                                                            | Battery voltage                                                                                    |
| 15       | L/Y        | Pedal adjusting switch BACKWARD signal | ON (pedal adjusting switch BACKWARD operation)                              | 0                                                                                                  |
|          |            |                                        | Other than above                                                            | Battery voltage                                                                                    |
| 16       | W          | Seat sensor power                      | Ignition switch ON                                                          | 5                                                                                                  |
| 17       | W          | UART LINE (TX)                         | Pedal adjusting switch ON (FORWARD or BACKWARD operation)                   | <br>PIIA4814E   |
| 19       | P          | CAN-L                                  | —                                                                           | —                                                                                                  |
| 21       | L/R        | A/T device (detent switch) signal      | Selector lever in P position                                                | 0                                                                                                  |
|          |            |                                        | Selector lever other than P position with ignition key in ignition cylinder | Battery voltage                                                                                    |
| 24       | Y/G        | Seat sliding motor sensor signal       | ON (seat sliding motor operation)                                           | <br>PIIA3277E  |
|          |            |                                        | Other than above                                                            | 0 or 5                                                                                             |
| 25       | LG         | Front lifting motor sensor signal      | ON (front lifting motor operation)                                          | <br>SIIA0691J |
|          |            |                                        | Other than above.                                                           | 0 or 5                                                                                             |
| 26       | P/B        | Seat sliding switch FORWARD signal     | ON (seat sliding switch FORWARD operation)                                  | 0                                                                                                  |
|          |            |                                        | Other than above                                                            | Battery voltage                                                                                    |
| 27       | G/B        | Seat reclining switch FORWARD signal   | ON (seat reclining switch FORWARD operation)                                | 0                                                                                                  |
|          |            |                                        | Other than above                                                            | Battery voltage                                                                                    |
| 28       | Y/B        | Front lifting switch UP signal         | ON (front lifting switch UP operation)                                      | 0                                                                                                  |
|          |            |                                        | Other than above                                                            | Battery voltage                                                                                    |
| 29       | R/W        | Rear lifting switch UP signal          | ON (rear lifting switch UP operation)                                       | 0                                                                                                  |
|          |            |                                        | Other than above                                                            | Battery voltage                                                                                    |
| 30       | R          | Pedal adjusting switch FORWARD signal  | ON (pedal adjusting switch FORWARD operation)                               | 0                                                                                                  |
|          |            |                                        | Other than above                                                            | Battery voltage                                                                                    |

# AUTOMATIC DRIVE POSITIONER

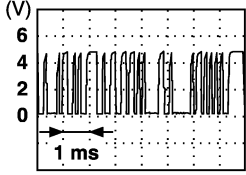
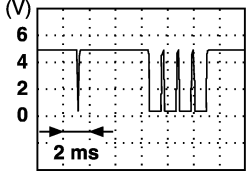
| TERMINAL | WIRE COLOR | ITEM                                   | CONDITION                                               | VOLTAGE (V)<br>(Approx.) |
|----------|------------|----------------------------------------|---------------------------------------------------------|--------------------------|
| 31       | L/Y        | Sensor ground                          | —                                                       | 0                        |
| 32       | B          | Ground                                 | —                                                       | 0                        |
| 33       | L/B        | Battery power supply                   | —                                                       | Battery voltage          |
| 35       | V/W        | Sliding motor FORWARD output signal    | Sliding switch FORWARD operation (Motor operated)       | Battery voltage          |
|          |            |                                        | Other than above                                        | 0                        |
| 36       | Y/G        | Reclining motor FORWARD output signal  | Reclining switch FORWARD operation (Motor operated)     | Battery voltage          |
|          |            |                                        | Other than above                                        | 0                        |
| 37       | BR         | Front lifting motor DOWN output signal | Front lifting switch DOWN operation (Motor operated)    | Battery voltage          |
|          |            |                                        | Other than above                                        | 0                        |
| 38       | B/W        | Rear lifting motor UP output signal    | Rear end lifting switch UP operation (Motor operated)   | Battery voltage          |
|          |            |                                        | Other than above                                        | 0                        |
| 39       | Y          | Rear lifting motor DOWN output signal  | Rear end lifting switch DOWN operation (Motor operated) | Battery voltage          |
|          |            |                                        | Other than above                                        | 0                        |
| 40       | Y/R        | Battery power supply                   | —                                                       | Battery voltage          |
| 42       | O/B        | Sliding motor BACKWARD output signal   | Sliding switch BACKWARD operation (Motor operated)      | Battery voltage          |
|          |            |                                        | Other than above                                        | 0                        |
| 44       | Y/R        | Reclining motor BACKWARD output signal | Reclining switch BACKWARD operation (Motor operated)    | Battery voltage          |
|          |            |                                        | Other than above                                        | 0                        |
| 45       | GR         | Front lifting motor UP output signal   | Front lifting switch UP operation (Motor operated)      | Battery voltage          |
|          |            |                                        | Other than above                                        | 0                        |
| 48       | B/W        | Ground                                 | —                                                       | 0                        |

## Terminals and Reference Values for Automatic Drive Positioner Control Unit

EIS0040K

| TERMINAL | WIRE COLOR | ITEM                               | CONDITION                              | VOLTAGE (V)<br>(Approx.)                                  |
|----------|------------|------------------------------------|----------------------------------------|-----------------------------------------------------------|
| 2        | LG         | Changeover switch RH signal        | Changeover switch in RH position       | 0                                                         |
|          |            |                                    | Other than above                       | 5                                                         |
| 3        | Y/B        | Mirror switch UP signal            | Mirror switch in UP position           | 0                                                         |
|          |            |                                    | Other than above                       | 5                                                         |
| 4        | V/W        | Mirror switch LEFT signal          | Mirror switch in LEFT position         | 0                                                         |
|          |            |                                    | Other than above                       | 5                                                         |
| 5        | R/B        | Mirror sensor (RH vertical) signal | Mirror motor RH is operated UP or DOWN | Changes between 3.4 (close to peak) 0.6 (close to valley) |
| 6        | L/Y        | Mirror sensor (LH vertical) signal | Mirror motor LH is operated UP or DOWN | Changes between 3.4 (close to peak) 0.6 (close to valley) |
| 8        | BR/Y       | Pedal sensor input signal          | Pedal position front end               | 0.5                                                       |
|          |            |                                    | Pedal position rear end                | 4.5                                                       |
| 9        | LG/B       | Seat memory switch 1 signal        | Memory switch 1 ON                     | 0                                                         |
|          |            |                                    | Memory switch 1 OFF                    | 5                                                         |

# AUTOMATIC DRIVE POSITIONER

| TERMINAL | WIRE COLOR | ITEM                                  | CONDITION                                                 | VOLTAGE (V)<br>(Approx.)                                                                           |
|----------|------------|---------------------------------------|-----------------------------------------------------------|----------------------------------------------------------------------------------------------------|
| 10       | L          | UART LINE (TX)                        | Pedal adjusting switch ON (FORWARD or BACKWARD operation) | <br>PIIA4813E   |
| 12       | P          | Seat memory switch indicator 1 signal | Memory switch 1 ON                                        | 0                                                                                                  |
|          |            |                                       | Memory switch 1 OFF                                       | Battery voltage                                                                                    |
| 13       | Y/G        | Seat memory switch indicator 2 signal | Memory switch 2 ON                                        | 0                                                                                                  |
|          |            |                                       | Memory switch 2 OFF                                       | Battery voltage                                                                                    |
| 14       | GR/R       | Mirror motor RH UP signal             | Mirror motor RH is operated UP                            | 1.5 - Battery voltage                                                                              |
|          |            |                                       | Other than above                                          | 0                                                                                                  |
| 15       | V/R        | Mirror motor RH LEFT signal           | Mirror motor RH is operated LEFT                          | 1.5 - Battery voltage                                                                              |
|          |            |                                       | Other than above                                          | 0                                                                                                  |
| 16       | O          | Mirror motor LH DOWN signal           | Mirror motor LH is operated DOWN                          | 1.5 - Battery voltage                                                                              |
|          |            |                                       | Other than above                                          | 0                                                                                                  |
|          |            | Mirror motor LH RIGHT signal          | Mirror motor LH is operated RIGHT                         | 1.5 - Battery voltage                                                                              |
|          |            |                                       | Other than above                                          | 0                                                                                                  |
| 18       | BR/W       | Changeover switch LH signal           | Changeover switch in LH position                          | 0                                                                                                  |
|          |            |                                       | Other than above                                          | 5                                                                                                  |
| 19       | SB         | Mirror switch DOWN signal             | Mirror switch in DOWN position                            | 0                                                                                                  |
|          |            |                                       | Other than above                                          | 5                                                                                                  |
| 20       | GR         | Mirror switch RIGHT signal            | Mirror switch in RIGHT position                           | 0                                                                                                  |
|          |            |                                       | Other than above                                          | 5                                                                                                  |
| 21       | L/W        | Mirror sensor (RH horizontal) signal  | Mirror motor RH is operated LEFT or RIGHT                 | Changes between 3.4 (close to left edge) 0.6 (close to right edge)                                 |
| 22       | G          | Mirror sensor (LH horizontal) signal  | Mirror motor LH is operated LEFT or RIGHT                 | Changes between 3.4 (close to left edge) 0.6 (close to right edge)                                 |
| 24       | G/O        | Seat memory set switch signal         | Set switch 1 ON                                           | 0                                                                                                  |
|          |            |                                       | Set switch 1 OFF                                          | 5                                                                                                  |
| 25       | P/L        | Seat memory switch 2 signal           | Memory switch 2 ON                                        | 0                                                                                                  |
|          |            |                                       | Memory switch 2 OFF                                       | 5                                                                                                  |
| 26       | W          | UART LINE (RX)                        | Pedal adjusting switch ON (FORWARD or BACKWARD operation) | <br>PIIA4814E |
| 30       | Y          | Mirror motor RH DOWN signal           | Mirror motor RH is operated DOWN                          | 1.5 - Battery voltage                                                                              |
|          |            |                                       | Other than above                                          | 0                                                                                                  |
|          |            | Mirror motor RH RIGHT signal          | Mirror motor RH is operated RIGHT                         | 1.5 - Battery voltage                                                                              |
|          |            |                                       | Other than above                                          | 0                                                                                                  |
| 31       | R          | Mirror motor LH UP signal             | Mirror motor LH is operated UP                            | 1.5 - Battery voltage                                                                              |
|          |            |                                       | Other than above                                          | 0                                                                                                  |



# AUTOMATIC DRIVE POSITIONER

| TERMINAL | WIRE COLOR | ITEM                               | CONDITION                                              | VOLTAGE (V)<br>(Approx.) |
|----------|------------|------------------------------------|--------------------------------------------------------|--------------------------|
| 32       | BR         | Mirror motor LH LEFT signal        | Mirror motor LH is operated LEFT                       | 1.5 - Battery voltage    |
|          |            |                                    | Other than above                                       | 0                        |
| 33       | W/L        | Sensor power supply                | —                                                      | 5                        |
| 34       | Y/R        | Battery power supply               | —                                                      | Battery voltage          |
| 37       | G          | Pedal adjust motor FORWARD signal  | Pedal adjust motor FORWARD operation (Motor operated)  | Battery voltage          |
|          |            |                                    | Other than above                                       | 0                        |
| 39       | L/B        | Battery power supply               | —                                                      | Battery voltage          |
| 40       | B/W        | Ground                             | —                                                      | 0                        |
| 41       | W/G        | Sensor ground                      | —                                                      | 0                        |
| 45       | R          | Pedal adjust motor BACKWARD signal | Pedal adjust motor BACKWARD operation (Motor operated) | Battery voltage          |
|          |            |                                    | Other than above                                       | 0                        |
| 48       | B          | Ground                             | —                                                      | 0                        |

## Work Flow

EIS0040L

1. Check the symptom and customer's requests.
2. Understand the system description. Refer to [SE-12, "System Description"](#).
3. Perform the preliminary check. Refer to [SE-34, "Preliminary Check"](#).
4. Check the self-diagnosis, results using CONSULT-II. Refer to [SE-37, "CONSULT-II Function \(AUTO DRIVE POS.\)"](#).
5. Repair or replace depending on the self-diagnostic results.
6. Based on the trouble diagnosis chart, repair or replace the cause of the malfunction. Refer to [SE-41, "Symptom Chart"](#).
7. Does the automatic drive positioner system operate normally?  
If it is normal, GO TO 8.  
If it is not normal, GO TO 3.
8. Inspection End.

# AUTOMATIC DRIVE POSITIONER

EIS0040M

## Preliminary Check SETTING CHANGE FUNCTION

The settings of the automatic driving positioner system can be changed, using CONSULT-II and the display in the center of the instrument panel.

×: Applicable –: Not applicable

| Setting item                                         | Content                                                                                             | CONSULT-II<br>(WORK SUPPORT) | Display unit               | Default<br>setting | Factory<br>setting |
|------------------------------------------------------|-----------------------------------------------------------------------------------------------------|------------------------------|----------------------------|--------------------|--------------------|
| SEAT SLIDE<br>VOLUME SET                             | The distance at exiting operation can be selected from the following 3 modes.                       | 40 mm                        | —                          | ×                  | ×                  |
|                                                      |                                                                                                     | 80 mm                        |                            | —                  | —                  |
|                                                      |                                                                                                     | 150 mm                       |                            | —                  | —                  |
| Sliding Front Seat<br>When Entry/ Exiting<br>Vehicle | The seat sliding turnout and return at entry/exit can be selected: ON (operated)—OFF (not operated) | ON                           | ON: Indicator lamp ON      | —                  | ×                  |
|                                                      |                                                                                                     | OFF                          | OFF: Indicator lamp OFF    | ×                  | —                  |
| Reset custom settings*                               | All settings to default.                                                                            | —                            | Default: Setting button ON | —                  | —                  |

It is possible to set sliding front seat for entry/exit of vehicle by pressing set switch.

| Content                                                                | Setting change operation                      | Indicator LEDs |
|------------------------------------------------------------------------|-----------------------------------------------|----------------|
| The seat sliding turnout and return at entry/exit can be operated.     | Press the set switch for more than 10 seconds | Blinking twice |
| The seat sliding turnout and return at entry/exit can be not operated. |                                               | Blinking once  |

\*: Setting of sliding front seat for entry/exit of vehicle is ON at factory-shipment. But if custom settings are reset, setting turns OFF.

### NOTE:

After the setting is registered, the new setting is effective, even if the battery is disconnected.

## POWER SUPPLY AND GROUND CIRCUIT INSPECTION

### 1. CHECK BCM FUSES AND FUSIBLE LINK

Check if any of the following fuses in the BCM are blown.

| Unit | Power source             | Fuse No. |
|------|--------------------------|----------|
| BCM  | Battery power supply     | f (50A)  |
|      | ON or START power supply | 59 (10A) |
|      | ACC or ON power supply   | 4 (10A)  |

### NOTE:

Refer to [SE-11, "Component Parts And Harness Connector Location"](#) .

### OK or NG

OK >> GO TO 2.

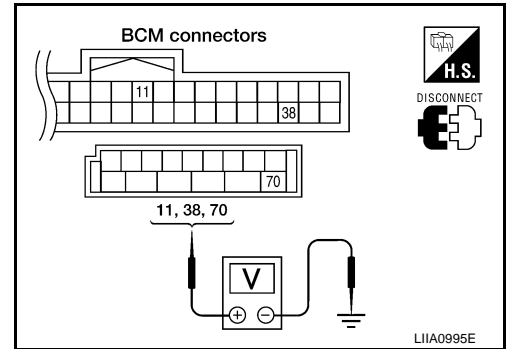
NG >> If fuse or fusible link is blown, be sure to eliminate cause of malfunction before installing new fuse.  
Refer to [PG-62, "ELECTRICAL UNITS LOCATION"](#) .

# AUTOMATIC DRIVE POSITIONER

## 2. CHECK BCM POWER SUPPLY CIRCUIT

1. Disconnect BCM.
2. Check voltage between BCM connector and ground.

| Connector | Terminals<br>(Wire color) |        | Power source          | Condition                   | Voltage (V)<br>(Approx) |
|-----------|---------------------------|--------|-----------------------|-----------------------------|-------------------------|
|           | (+)                       | (-)    |                       |                             |                         |
| M20       | 70 (W/B)                  | Ground | Battery power supply  | Ignition switch OFF         | Battery voltage         |
| M18       | 38 (W/L)                  | Ground | Ignition power supply | Ignition switch ON or START | Battery voltage         |
|           | 11 (O)                    | Ground | ACC power supply      | Ignition switch ACC or ON   | Battery voltage         |



OK or NG

- OK >> GO TO 3.
- NG >> Repair or replace the harness.

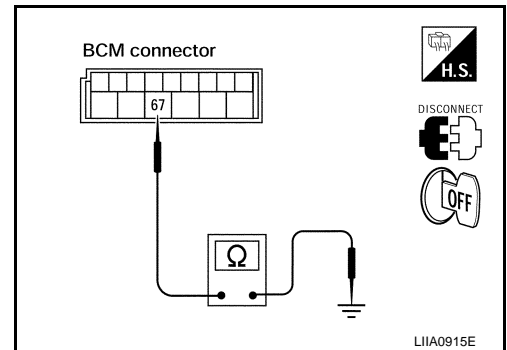
## 3. CHECK BCM GROUND CIRCUIT

1. Turn ignition switch OFF.
2. Check continuity between BCM connector M20 terminal 67 and ground.

**67 (B) - Ground : Continuity should exist.**

OK or NG

- OK >> BCM circuit is OK. Check the driver seat control unit. GO TO 4.
- NG >> Repair or replace the harness.



## 4. CHECK DRIVER SEAT CONTROL UNIT FUSE

Make sure any of the following fuses in the driver seat control unit and automatic drive positioner control unit are not blown.

| Unit                     | Power source         | Fuse No. |
|--------------------------|----------------------|----------|
| Driver seat control unit | START power supply   | 2 (10A)  |
|                          | Battery power supply | 22 (15A) |
|                          | Battery power supply | f (50A)  |

**NOTE:**

Refer to [SE-11. "Component Parts And Harness Connector Location"](#) .

OK or NG

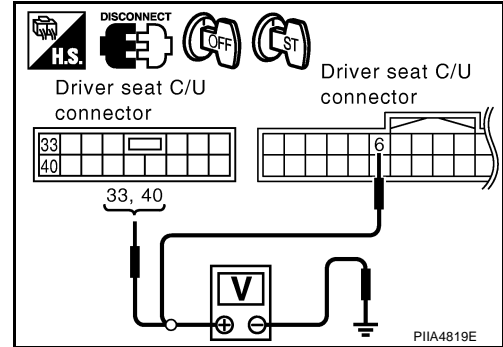
- OK >> GO TO 5.
- NG >> If fuse is blown, be sure to eliminate cause of malfunction before installing new fuse. Refer to [PG-62. "ELECTRICAL UNITS LOCATION"](#) .

# AUTOMATIC DRIVE POSITIONER

## 5. CHECK DRIVER SEAT CONTROL UNIT POWER SUPPLY CIRCUIT

1. Disconnect driver seat control unit.
2. Check voltage between driver seat control unit connector and ground.

| Connector | Terminals<br>(Wire color) |        | Power source         | Condition             | Voltage (V)<br>(Approx) |
|-----------|---------------------------|--------|----------------------|-----------------------|-------------------------|
|           | (+)                       | (-)    |                      |                       |                         |
| P3        | 33 (L/B)                  | Ground | Battery power supply | Ignition switch OFF   | Battery voltage         |
|           | 40 (Y/R)                  | Ground | Battery power supply | Ignition switch OFF   | Battery voltage         |
| P2        | 6 (O)                     | Ground | START power supply   | Ignition switch START | Battery voltage         |



OK or NG

- OK >> GO TO 6.
- NG >> Repair or replace harness.

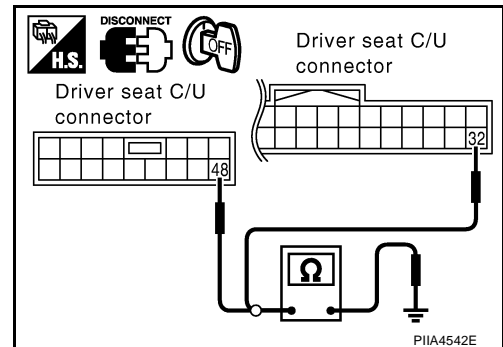
## 6. CHECK DRIVER SEAT CONTROL UNIT GROUND CIRCUIT

1. Turn ignition switch OFF.
2. Check continuity between the driver seat control unit connector P2 terminal 32, P3 terminal 48 and ground.

- 32 (B) - Ground : Continuity should exist.**
- 48 (B/W) - Ground : Continuity should exist.**

OK or NG

- OK >> Driver seat control unit circuit check is OK, GO TO 7.
- NG >> Repair or replace harness.



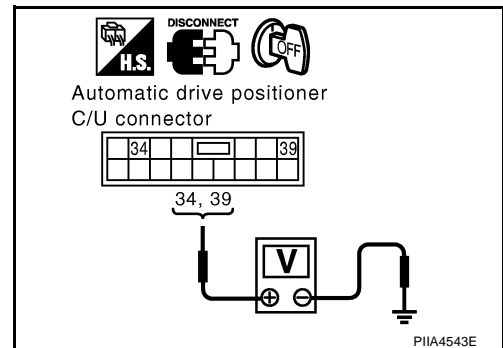
## 7. CHECK AUTOMATIC DRIVE POSITIONER CONTROL UNIT POWER SUPPLY CIRCUIT

1. Disconnect automatic drive positioner control unit.
2. Check voltage between automatic drive positioner control unit connector M34 terminal 34, 39 and ground.

| Connector | Terminals<br>(Wire color) |        | Condition           | Voltage (V)<br>(Approx) |
|-----------|---------------------------|--------|---------------------|-------------------------|
|           | (+)                       | (-)    |                     |                         |
| M34       | 34 (Y/R)                  | Ground | Ignition switch OFF | Battery voltage         |
|           | 39 (L/B)                  | Ground | Ignition switch OFF | Battery voltage         |

OK or NG

- OK >> GO TO 8.
- NG >> Repair or replace harness.



# AUTOMATIC DRIVE POSITIONER

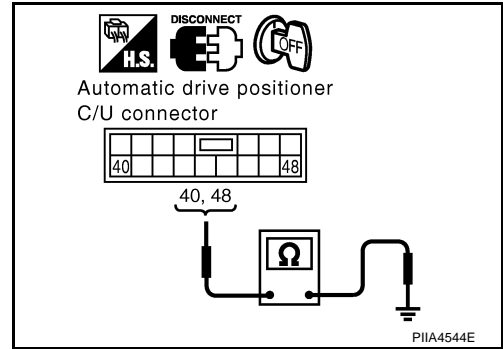
## 8. CHECK AUTOMATIC DRIVE POSITIONER CONTROL UNIT GROUND CIRCUIT

Check continuity between the automatic drive positioner control unit connector M34 terminal 40, 48 and ground.

- 40 (B/W) - Ground : Continuity should exist.**
- 48 (B) - Ground : Continuity should exist.**

**OK or NG**

- OK >> Automatic drive positioner control unit circuit is OK.
- NG >> Repair or replace harness.



### CONSULT-II Function (AUTO DRIVE POS.)

EIS0040N

CONSULT-II can display each diagnostic item using the diagnostic test modes shown following.

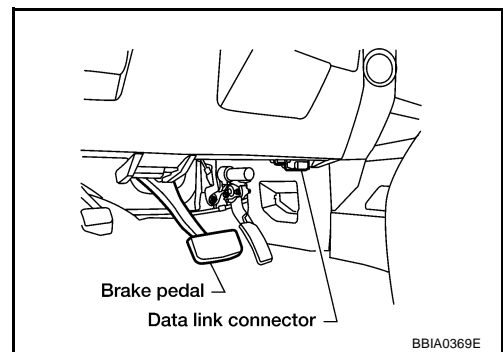
| AUTO DRIVE POS.<br>diagnostic mode | Description                                                                                                                                                                                                                                                |
|------------------------------------|------------------------------------------------------------------------------------------------------------------------------------------------------------------------------------------------------------------------------------------------------------|
| WORK SUPPORT                       | Supports inspections and adjustments. Commands are transmitted to the driver seat control unit for setting the status suitable for required operation, input/output signals are received from the driver seat control unit and received data is displayed. |
| SELF-DIAG RESULTS                  | Displays driver seat control unit self-diagnosis results.                                                                                                                                                                                                  |
| DATA MONITOR                       | Displays driver seat control unit input/output data in real time.                                                                                                                                                                                          |
| CAN DIAG SUPPORT MNTR              | The result of transmit/receive diagnosis of CAN communication can be read.                                                                                                                                                                                 |
| ACTIVE TEST                        | Operation of electrical loads can be checked by sending drive signal to them.                                                                                                                                                                              |
| ECU PART NUMBER                    | Driver seat control unit part number can be read.                                                                                                                                                                                                          |

### CONSULT-II INSPECTION PROCEDURE

**CAUTION:**

If CONSULT-II is used with no connection of CONSULT-II CONVERTER, malfunctions might be detected in self-diagnosis depending on control unit which carry out CAN communication.

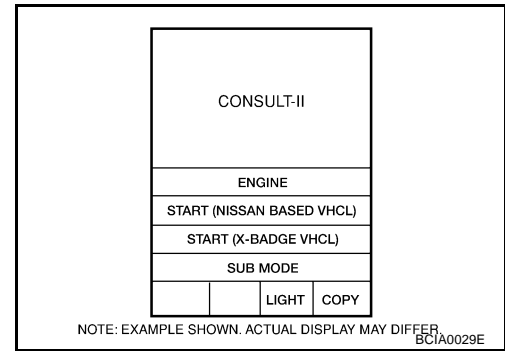
1. Turn ignition switch OFF.
2. Connect CONSULT-II and CONSULT-II CONVERTER to the data link connector.



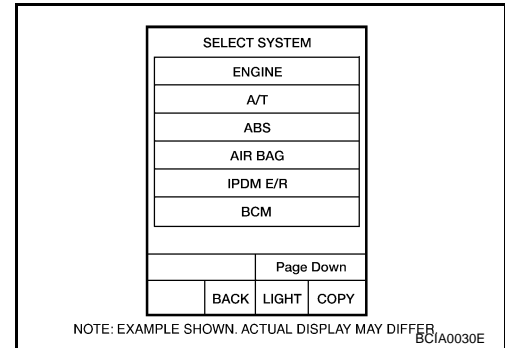
3. Turn ignition switch ON.

# AUTOMATIC DRIVE POSITIONER

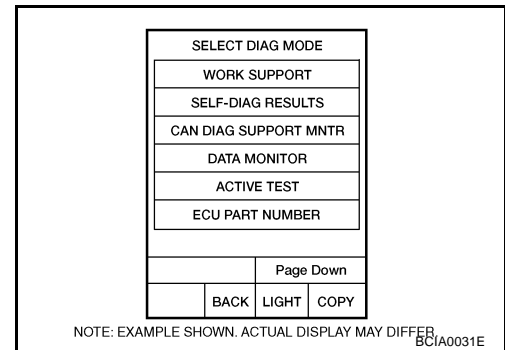
4. Touch "START (NISSAN BASED VHCL)".



5. Touch "AUTO DRIVE POS".  
If "AUTO DRIVE POS." is not indicated, refer to [GI-39, "CONSULT-II Data Link Connector \(DLC\) Circuit"](#).



6. Select diagnosis mode.  
"DATA MONITOR", "ACTIVE TEST", "SELF-DIAG RESULTS", "ECU PART NUMBER" and "WORK SUPPORT" are available.



# AUTOMATIC DRIVE POSITIONER

## SELF-DIAGNOSIS RESULTS

### DISPLAY ITEM LIST

| CONSULT-II display       | Item                        | Malfunction is detected when...                                                                                                                                                   | Reference page                                |
|--------------------------|-----------------------------|-----------------------------------------------------------------------------------------------------------------------------------------------------------------------------------|-----------------------------------------------|
| CAN COMM CIRC [U1000]    | CAN communication           | Malfunction is detected in CAN communication.                                                                                                                                     | <a href="#">SE-41</a>                         |
| SEAT SLIDE [B2112]       | Seat slide motor            | When any manual and automatic operations are not performed, if any motor operations of seat slide is detected for 0.1 second or more, status is judged "Output error".            | <a href="#">SE-43</a> , <a href="#">SE-53</a> |
| SEAT RECLINING [B2113]   | Seat reclining motor        | When any manual and automatic operations are not performed, if any motor operations of seat reclining is detected for 0.1 second or more, status is judged "Output error".        | <a href="#">SE-44</a> , <a href="#">SE-54</a> |
| SEAT LIFTER FR [B2114]   | Seat lifting FORWARD motor  | When any manual and automatic operations are not performed, if any motor operations of seat lifting FORWARD is detected for 0.1 second or more, status is judged "Output error".  | <a href="#">SE-45</a> , <a href="#">SE-55</a> |
| SEAT LIFTER RR [B2115]   | Seat lifting BACKWARD motor | When any manual and automatic operations are not performed, if any motor operations of seat lifting BACKWARD is detected for 0.1 second or more, status is judged "Output error". | <a href="#">SE-47</a> , <a href="#">SE-55</a> |
| ADJ PEDAL MOTOR [B2117]  | Pedal adjust motor          | When any manual and automatic operations are not performed, if motor operation of pedal is detected for 0.1 second or more, status is judged "Output error".                      | <a href="#">SE-48</a>                         |
| ADJ PEDAL SENSOR [B2120] | Pedal adjust sensor         | When pedal adjust sensor detects 0.5V or lower, or 4.5V or higher, for 0.5 seconds or more.                                                                                       | <a href="#">SE-57</a>                         |
| DETENT SW [B2126]        | Park SW                     | With the A/T shift lever in P position (Park switch OFF), if the vehicle speed of 7 km/h (4 MPH) or higher was input the park switch input system is judged malfunctioning.       | <a href="#">SE-77</a>                         |
| UART COMM [B2128]        | UART communication          | Malfunction is detected in UART communication.                                                                                                                                    | <a href="#">SE-79</a>                         |

#### NOTE:

- If park switch error is detected, manual adjustable pedal operation cannot be performed when ignition switch turns ON.
- The displays of CAN communication and detection switch display error detecting condition from memory erase to the present on "TIME".
  - If error is detected in the past and present error is detected, "CRNT" is displayed.
  - If error is detected in the past and present error is not detected, "PAST" is displayed.
  - If error has never been detected, nothing is displayed on "TIME".
- Any items other than CAN communication and park switch count error detection frequency occurred after erase history to "1-127".
  - If error was detected in the past, error detection frequency from memory erase to the present is displayed on "TIME".
  - If error has never been detected, nothing is displayed on "TIME".
- Can clear the detected memory.
  - Normal: Clear memory in normal condition, history is erased and nothing is displayed on "TIME".
  - Error: Clear memory in error condition, error is detected again and "1" is displayed on "TIME".

# AUTOMATIC DRIVE POSITIONER

## DATA MONITOR SELECTION FROM MENU

| Monitor item [OPERATION or UNIT] |          | Contents                                                                                                                                 |
|----------------------------------|----------|------------------------------------------------------------------------------------------------------------------------------------------|
| SLIDE SW-FR                      | "ON/OFF" | ON/OFF status judged from the sliding switch (FR) signal is displayed.                                                                   |
| SLIDE SW-RR                      | "ON/OFF" | ON/OFF status judged from the sliding switch (RR) signal is displayed.                                                                   |
| RECLN SW-FR                      | "ON/OFF" | ON/OFF status judged from the reclining switch (FR) signal is displayed.                                                                 |
| RECLN SW-RR                      | "ON/OFF" | ON/OFF status judged from the reclining switch (RR) signal is displayed.                                                                 |
| LIFT FR SW-UP                    | "ON/OFF" | ON/OFF status judged from the FR lifter switch (UP) signal is displayed.                                                                 |
| LIFT FR SW-DN                    | "ON/OFF" | ON/OFF status judged from the FR lifter switch (DOWN) signal is displayed.                                                               |
| LIFT RR SW-UP                    | "ON/OFF" | ON/OFF status judged from the RR lifter switch (UP) signal is displayed.                                                                 |
| LIFT RR SW-DN                    | "ON/OFF" | ON/OFF status judged from the RR lifter switch (DOWN) signal is displayed.                                                               |
| MIR CON SW-UP                    | "ON/OFF" | ON/OFF status judged from the door mirror remote control switch (UP) signal is displayed.                                                |
| MIR CON SW-DN                    | "ON/OFF" | ON/OFF status judged from the door mirror remote control switch (DOWN) signal is displayed.                                              |
| MIR CON SW-RH                    | "ON/OFF" | ON/OFF status judged from the door mirror remote control switch (RIGHT) signal is displayed.                                             |
| MIR CON SW-LH                    | "ON/OFF" | ON/OFF status judged from the door mirror remote control switch (LEFT) signal is displayed.                                              |
| MIR CHNG SW-R                    | "ON/OFF" | ON/OFF status judged from the door mirror remote control switch (switching to RIGHT) signal is displayed.                                |
| MIR CHNG SW-L                    | "ON/OFF" | ON/OFF status judged from the door mirror remote control switch (switching to LEFT) signal is displayed.                                 |
| SET SW                           | "ON/OFF" | ON/OFF status judged from the setting switch signal is displayed.                                                                        |
| PEDAL SW-FR                      | "ON/OFF" | ON/OFF status judged from the pedal adjusting switch (FR) signal is displayed.                                                           |
| PEDAL SW-RR                      | "ON/OFF" | ON/OFF status judged from the pedal adjusting switch (RR) signal is displayed.                                                           |
| MEMORY SW1                       | "ON/OFF" | ON/OFF status judged from the seat memory switch 1 signal is displayed.                                                                  |
| MEMORY SW2                       | "ON/OFF" | ON/OFF status judged from the seat memory switch 2 signal is displayed.                                                                  |
| DETENT SW                        | "ON/OFF" | The selector lever position "OFF (P position) / ON (other than P position)" judged from the park switch signal is displayed.             |
| STARTER SW                       | "ON/OFF" | Ignition key switch ON (START, ON) /OFF (ignition switch IGN, ACC, or OFF) status judged from the ignition switch signal is displayed.   |
| SLIDE PULSE                      | —        | Value (32768) when battery connects is as standard. If it moves backward, the value increases. If it moves forward, the value decreases. |
| RECLN PULSE                      | —        | Value (32768) when battery connects is as standard. If it moves backward, the value increases. If it moves forward, the value decreases. |
| LIFT FR PULSE                    | —        | Value (32768) when battery connects is as standard. If it moves DOWN, the value increases. If it moves UP, the value decreases.          |
| LIFT RR PULSE                    | —        | Value (32768) when battery connects is as standard. If it moves DOWN, the value increases. If it moves UP, the value decreases.          |
| MIR/SEN RH R-L                   | "V"      | Voltage output from RH door mirror sensor (LH/RH) is displayed.                                                                          |
| MIR/SEN RH U-D                   | "V"      | Voltage output from RH door mirror sensor (UP/DOWN) is displayed.                                                                        |
| MIR/SEN LH R-L                   | "V"      | Voltage output from LH door mirror sensor (LH/RH) is displayed.                                                                          |
| MIR/SEN LH U-D                   | "V"      | Voltage output from LH door mirror sensor (UP/DOWN) is displayed.                                                                        |
| PEDAL SEN                        | "V"      | The pedal position (voltage) judged from the pedal adjust sensor signal is displayed.                                                    |

## ACTIVE TEST

### CAUTION:

**During vehicle driving, do not perform active test.**



# AUTOMATIC DRIVE POSITIONER

**NOTE:**

If active test is performed, reset seat memory and keyfob interlock drive positioner after performing work.

**DISPLAY ITEM LIST**

| Test item        | Description                                                                                |
|------------------|--------------------------------------------------------------------------------------------|
| SEAT SLIDE       | The sliding motor is activated by receiving the drive signal.                              |
| SEAT RECLINING   | The reclining motor is activated by receiving the drive signal.                            |
| SEAT LIFTER FR   | The lifting motor (front) is activated by receiving the drive signal.                      |
| SEAT LIFTER RR   | The lifting motor (rear) is activated by receiving the drive signal.                       |
| ADJ PEDAL MOTOR  | The pedal adjust motor is activated by receiving the drive signal.                         |
| MEMORY SW INDCTR | The memory switch indicator is lit by receiving the drive signal.                          |
| MIRROR MOTOR RH  | The RH mirror motor moves the mirror UP/DOWN and LEFT/RIGHT by receiving the drive signal. |
| MIRROR MOTOR LH  | The LH mirror motor moves the mirror UP/DOWN and LEFT/RIGHT by receiving the drive signal. |

**CAN Communication Inspection Using CONSULT-II (Self-Diagnosis)**

EIS00400

**1. SELF-DIAGNOSTIC RESULT CHECK**

**CAUTION:**

If CONSULT-II is used with no connection of CONSULT-II CONVERTER, malfunctions might be detected in self-diagnosis depending on control unit which carry out CAN communication.

1. Connect to CONSULT-II, and select "AUTO DRIVE POS." on the "SELECT DIAG SYSTEM" screen.
2. Select "SELF-DIAG RESULTS" on "SELECT DIAG MODE" screen.
3. Check display content in self-diagnostic results.

| CONSULT-II display code | Diagnosis item |
|-------------------------|----------------|
| U1000                   | INITIAL DIAG   |
|                         | TRANSMIT DIAG  |
|                         | BCM/SEC        |
|                         | IPDM E/R       |
|                         | METER/M&A      |
|                         | TCM            |

Contents displayed

No malfunction>>Inspection End.

Malfunction in CAN communication system>>After printing the monitor items, go to "CAN System". Refer to [LAN-3, "Precautions When Using CONSULT-II"](#).

**Symptom Chart**

EIS0040P

| Symptom                                                  | Diagnoses / service procedure                                     | Refer to page                 |                       |
|----------------------------------------------------------|-------------------------------------------------------------------|-------------------------------|-----------------------|
| Only setting change function cannot be set with display. | 1. Preliminary check                                              | <a href="#">SE-34</a>         |                       |
|                                                          | 2. CAN communication inspection using CONSULT-II (self-diagnosis) | <a href="#">SE-41</a>         |                       |
|                                                          | 3. If the above systems are normal, check display system.         | Display system (without NAVI) | <a href="#">DI-5</a>  |
|                                                          |                                                                   | Navigation system (with NAVI) | <a href="#">AV-77</a> |

# AUTOMATIC DRIVE POSITIONER

| Symptom                                                                                                            | Diagnoses / service procedure                                                                | Refer to page          |
|--------------------------------------------------------------------------------------------------------------------|----------------------------------------------------------------------------------------------|------------------------|
| A part of seat system does not operate (both automatically and manually).                                          | 1. Sliding motor circuit inspection                                                          | <a href="#">SE-43</a>  |
|                                                                                                                    | 2. Reclining motor circuit inspection                                                        | <a href="#">SE-44</a>  |
|                                                                                                                    | 3. Lifting motor (front) circuit inspection                                                  | <a href="#">SE-45</a>  |
|                                                                                                                    | 4. Lifting motor (rear) circuit inspection                                                   | <a href="#">SE-47</a>  |
|                                                                                                                    | 5. If the above systems are normal, replace the driver seat control unit.                    | <a href="#">SE-11</a>  |
| A part of pedal adjust and door mirror does not operate (both automatically and manually).                         | 1. Pedal adjusting motor circuit inspection                                                  | <a href="#">SE-48</a>  |
|                                                                                                                    | 2. Mirror motor LH circuit check                                                             | <a href="#">SE-49</a>  |
|                                                                                                                    | 3. Mirror motor RH circuit check                                                             | <a href="#">SE-51</a>  |
|                                                                                                                    | 4. If the above systems are normal, replace the automatic drive positioner control unit.     | <a href="#">SE-11</a>  |
| A part of seat system does not operate (only automatic operation).                                                 | 1. Sliding sensor circuit inspection                                                         | <a href="#">SE-53</a>  |
|                                                                                                                    | 2. Reclining sensor circuit inspection                                                       | <a href="#">SE-54</a>  |
|                                                                                                                    | 3. Lifting sensor (front) circuit inspection                                                 | <a href="#">SE-55</a>  |
|                                                                                                                    | 4. Lifting sensor (rear) circuit inspection                                                  | <a href="#">SE-56</a>  |
|                                                                                                                    | 5. If the above systems are normal, replace the driver seat control unit.                    | <a href="#">SE-11</a>  |
| A part of door mirror system does not operate (only automatic operation).                                          | 1. Mirror sensor LH circuit check                                                            | <a href="#">SE-58</a>  |
|                                                                                                                    | 2. Mirror sensor RH circuit check                                                            | <a href="#">SE-60</a>  |
|                                                                                                                    | 3. If the above systems are normal, replace the automatic drive positioner control unit.     | <a href="#">SE-11</a>  |
| All of the automatic operations do not operate.                                                                    | 1. Park switch circuit inspection                                                            | <a href="#">SE-77</a>  |
|                                                                                                                    | 2. UART communication line circuit inspection                                                | <a href="#">SE-79</a>  |
|                                                                                                                    | 3. Pedal adjusting sensor circuit inspection                                                 | <a href="#">SE-57</a>  |
|                                                                                                                    | 4. If all the above systems are normal, replace the automatic drive positioner control unit. | <a href="#">SE-11</a>  |
| A part of seat system does not operate (only manual operation).                                                    | 1. Sliding switch circuit inspection                                                         | <a href="#">SE-62</a>  |
|                                                                                                                    | 2. Reclining switch circuit inspection                                                       | <a href="#">SE-63</a>  |
|                                                                                                                    | 3. Lifting switch (front) circuit inspection                                                 | <a href="#">SE-65</a>  |
|                                                                                                                    | 4. Lifting switch (rear) circuit inspection                                                  | <a href="#">SE-66</a>  |
|                                                                                                                    | 5. If the above systems are normal, replace the driver seat control unit.                    | <a href="#">SE-11</a>  |
| A part of pedal adjust and door mirror does not operate (only manual operation).                                   | 1. Pedal adjusting switch circuit inspection                                                 | <a href="#">SE-68</a>  |
|                                                                                                                    | 2. Door mirror remote control switch (change over switch) circuit inspection                 | <a href="#">SE-70</a>  |
|                                                                                                                    | 3. Door mirror remote control switch (mirror switch) switching circuit inspection            | <a href="#">SE-71</a>  |
|                                                                                                                    | 4. If the above systems are normal, replace the automatic drive positioner control unit.     | <a href="#">SE-11</a>  |
| Only memory switch operation.                                                                                      | 1. Seat memory switch circuit inspection                                                     | <a href="#">SE-73</a>  |
|                                                                                                                    | 2. If the above systems are normal, replace the driver seat control unit.                    | <a href="#">SE-11</a>  |
| Seat memory indicator lamps 1 and 2 do not illuminate.                                                             | 1. Seat memory indicator lamp circuit inspection                                             | <a href="#">SE-75</a>  |
|                                                                                                                    | 2. If all the above systems are normal, replace the driver seat control unit.                | <a href="#">SE-11</a>  |
| The Entry/Exiting does not operate when door is opened and closed.<br>(The Entry/Exiting operates with key switch) | 1. Front door switch circuit inspection                                                      | <a href="#">SE-78</a>  |
|                                                                                                                    | 2. If all the above systems are normal, replace the BCM.                                     | <a href="#">BCS-20</a> |

# AUTOMATIC DRIVE POSITIONER

| Symptom                                                              | Diagnoses / service procedure                                    | Refer to page         |
|----------------------------------------------------------------------|------------------------------------------------------------------|-----------------------|
| Only door mirror system does not operate (only manual operation).    | 1. Door mirror remote control switch ground circuit inspection   | <a href="#">SE-72</a> |
| Only door mirror system does not operate (only automatic operation). | 1. Door mirror sensor power supply and ground circuit inspection | <a href="#">SE-76</a> |
| Only seat system does not operate (only manual operation).           | 1. Power seat switch ground circuit inspection                   | <a href="#">SE-67</a> |

## Sliding Motor Circuit Inspection

EIS0040Q

### 1. CHECK SEAT SLIDING MECHANISM

Check the following.

- Operation malfunction caused by sliding rail deformation, pinched harness or other foreign materials
- Operation malfunction caused by foreign materials adhered to the sliding motor LH or sliding rail connector rod
- Operation malfunction and interference with other parts by poor installation

**OK or NG**

OK >> GO TO 2.

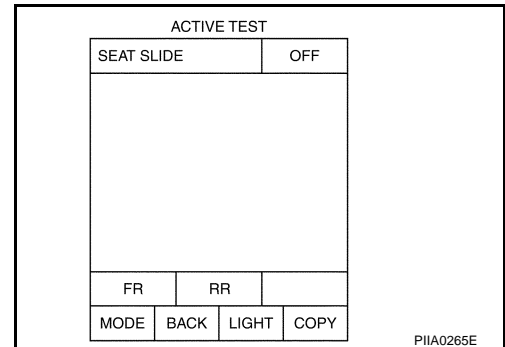
NG >> Repair or replace the malfunctioning part and check again.

### 2. CHECK FUNCTION

**With CONSULT-II**

Check operation with "SEAT SLIDE" in ACTIVE TEST.

| Test item  | Description                                                   |
|------------|---------------------------------------------------------------|
| SEAT SLIDE | The sliding motor is activated by receiving the drive signal. |



**Without CONSULT-II**

GO TO 3.

**OK or NG**

OK >> Sliding motor circuit is OK.

NG >> GO TO 3.

### 3. CHECK SLIDING MOTOR CIRCUIT HARNESS CONTINUITY

1. Turn ignition switch OFF.
2. Disconnect driver seat control unit and sliding motor LH.
3. Check continuity between driver seat control unit connector P3 terminals 35, 42 and sliding motor connector P4 terminals 4, 6.

**35 (V/W) - 6 (V/W) : Continuity should exist.**

**42 (O/B) - 4 (O/B) : Continuity should exist.**

4. Check continuity between driver seat control unit connector P3 terminals 35, 42 and ground.

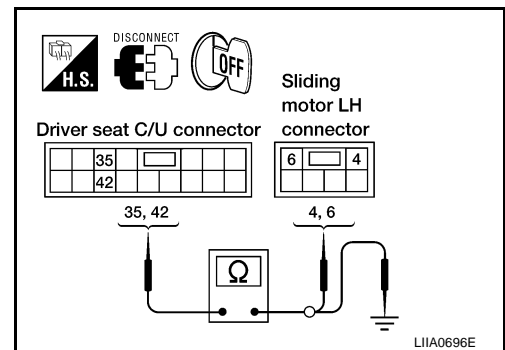
**35 (V/W) - Ground : Continuity should not exist.**

**42 (O/B) - Ground : Continuity should not exist.**

**OK or NG**

OK >> GO TO 4.

NG >> Repair or replace harness.

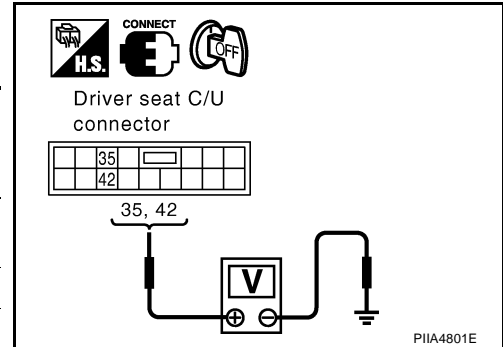


# AUTOMATIC DRIVE POSITIONER

## 4. CHECK DRIVER SEAT CONTROL UNIT OUTPUT SIGNAL

1. Connect the driver seat control unit and sliding motor LH.
2. Check voltage between driver seat control unit connector and ground.

| Connector | Terminals<br>(Wire color) |        | Condition                                 | Voltage (V)<br>(Approx.) |
|-----------|---------------------------|--------|-------------------------------------------|--------------------------|
|           | (+)                       | (-)    |                                           |                          |
| P3        | 35 (V/W)                  | Ground | Sliding switch ON<br>(FORWARD operation)  | Battery voltage          |
|           |                           |        | Other than above                          | 0                        |
|           | 42 (O/B)                  |        | Sliding switch ON<br>(BACKWARD operation) | Battery voltage          |
|           |                           |        | Other than above                          | 0                        |



OK or NG

- OK >> Replace sliding motor.
- NG >> Replace driver seat control unit.

## Reclining Motor LH Circuit Inspection

EIS0040R

### 1. CHECK SEAT RECLINING MECHANISM

Check the following.

- Operation malfunction caused by an interference with the center pillar or center console
- Operation malfunction and interference with other parts by poor installation

OK or NG

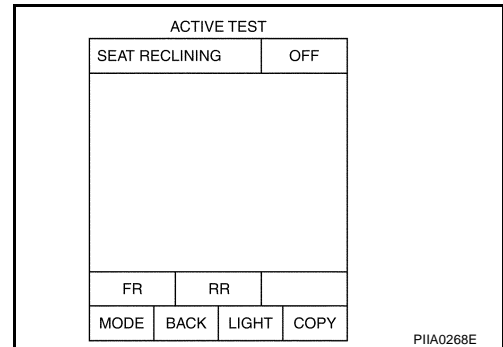
- OK >> GO TO 2.
- NG >> Repair or replace the malfunctioning part and check again.

### 2. CHECK FUNCTION

#### With CONSULT-II

Check operation with "SEAT RECLINING" in ACTIVE TEST.

| Test item      | Description                                                        |
|----------------|--------------------------------------------------------------------|
| SEAT RECLINING | The reclining motor LH is activated by receiving the drive signal. |



#### Without CONSULT-II

GO TO 3.

OK or NG

- OK >> Reclining motor LH circuit is OK.
- NG >> GO TO 3.

# AUTOMATIC DRIVE POSITIONER

## 3. CHECK RECLINING MOTOR CIRCUIT HARNESS CONTINUITY

1. Turn ignition switch OFF.
2. Disconnect driver seat control unit and reclining motor LH.
3. Check continuity between driver seat control unit connector P3 terminals 36, 44 and reclining motor LH connector P5 terminals 3, 4.

**36 (Y/G) - 4 (Y/G) : Continuity should exist.**

**44 (Y/R) - 3 (Y/R) : Continuity should exist.**

4. Check continuity between driver seat control unit connector P3 terminals 36, 44 and ground.

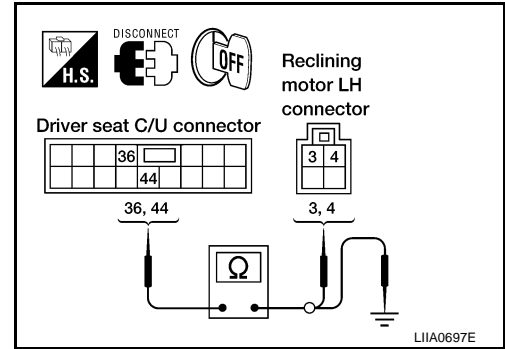
**36 (Y/G) - Ground : Continuity should not exist.**

**44 (Y/R) - Ground : Continuity should not exist.**

OK or NG

OK >> GO TO 4.

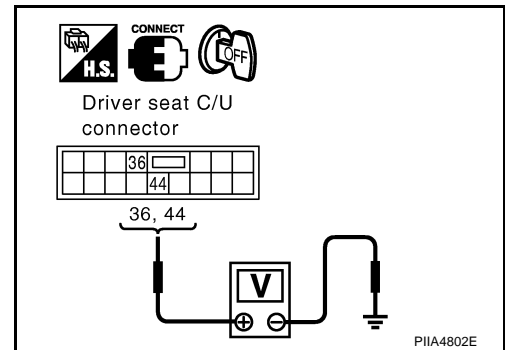
NG >> Repair or replace harness.



## 4. CHECK DRIVER SEAT CONTROL UNIT OUTPUT SIGNAL

1. Connect the driver seat control unit and reclining motor LH.
2. Check voltage between driver seat control unit connector and ground.

| Connector | Terminals<br>(Wire color) |        | Condition                                   | Voltage (V)<br>(Approx.) |
|-----------|---------------------------|--------|---------------------------------------------|--------------------------|
|           | (+)                       | (-)    |                                             |                          |
| P3        | 36 (Y/G)                  | Ground | Reclining switch ON<br>(FORWARD operation)  | Battery voltage          |
|           |                           |        | Other than above                            | 0                        |
|           | 44 (Y/R)                  |        | Reclining switch ON<br>(BACKWARD operation) | Battery voltage          |
|           |                           |        | Other than above                            | 0                        |



OK or NG

OK >> Replace reclining motor LH.

NG >> Replace driver seat control unit.

## Lifting Motor (Front) Circuit Inspection

EIS0040S

### 1. CHECK FRONT END SEAT LIFTING MECHANISM

Check the following.

- Operation malfunction caused by lifter mechanism deformation, pinched harness or other foreign materials
- Operation malfunction caused by foreign materials adhered to the lifting motor (front) or lead screws
- Operation malfunction and interference with other parts by installation

OK or NG

OK >> GO TO 2.

NG >> Repair or replace the malfunctioning part and check again.

# AUTOMATIC DRIVE POSITIONER

## 2. CHECK FUNCTION

### With CONSULT-II

Check operation with "SEAT LIFTER FR" in ACTIVE TEST.

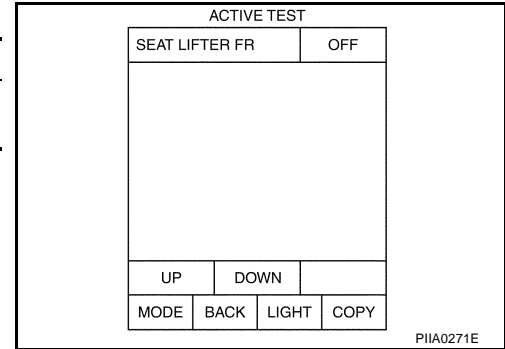
| Test item      | Description                                                           |
|----------------|-----------------------------------------------------------------------|
| SEAT LIFTER FR | The lifting motor (front) is activated by receiving the drive signal. |

### Without CONSULT-II

GO TO 3.

OK or NG

- OK >> Lifting motor (front) circuit is OK.  
 NG >> GO TO 3.



## 3. CHECK LIFTING MOTOR (FRONT) CIRCUIT HARNESS CONTINUITY

- Turn ignition switch OFF.
- Disconnect driver seat control unit and lifting motor (front).
- Check continuity between driver seat control unit connector P3 terminals 37, 45 and lifting motor (front) connector P6 terminals 4, 6.

**37 (BR) - 6 (BR) : Continuity should exist.**

**45 (GR) - 4 (GR) : Continuity should exist.**

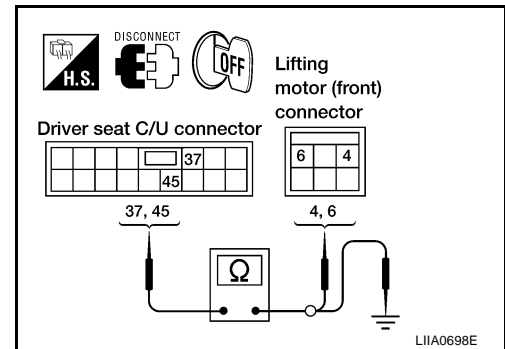
- Check continuity between driver seat control unit connector P3 terminals 37, 45 and ground.

**37 (BR) - Ground : Continuity should not exist.**

**45 (GR) - Ground : Continuity should not exist.**

OK or NG

- OK >> GO TO 4.  
 NG >> Repair or replace harness.



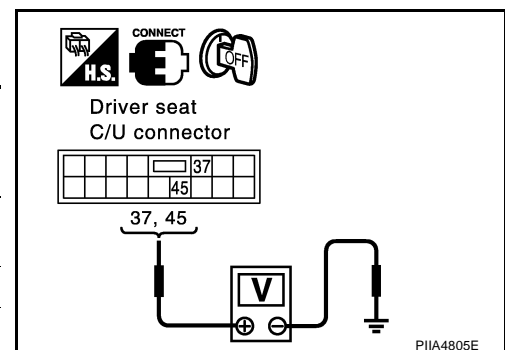
## 4. CHECK DRIVER SEAT CONTROL UNIT OUTPUT SIGNAL

- Connect the driver seat control unit and lifting motor (front).
- Check voltage between driver seat control unit connector and ground.

| Connector | Terminals (Wire color) |        | Condition                                  | Voltage (V) (Approx) |
|-----------|------------------------|--------|--------------------------------------------|----------------------|
|           | (+)                    | (-)    |                                            |                      |
| P3        | 37 (BR)                | Ground | Lifting switch (front) ON (DOWN operation) | Battery voltage      |
|           |                        |        | Other than above                           | 0                    |
|           | 45 (GR)                |        | Lifting switch (front) ON (UP operation)   | Battery voltage      |
|           |                        |        | Other than above                           | 0                    |

OK or NG

- OK >> Replace lifting motor (front).  
 NG >> Replace driver seat control unit.



# AUTOMATIC DRIVE POSITIONER

EIS0040T

## Lifting Motor (Rear) Circuit Inspection

### 1. CHECK REAR SEAT LIFTING MECHANISM

Check the following.

- Operation malfunction caused by lifter mechanism deformation or pinched harness or other foreign materials
- Operation malfunction caused by foreign materials adhered to the lifting motor (rear) or lead screws
- Operation malfunction and interference with other parts by poor installation

OK or NG

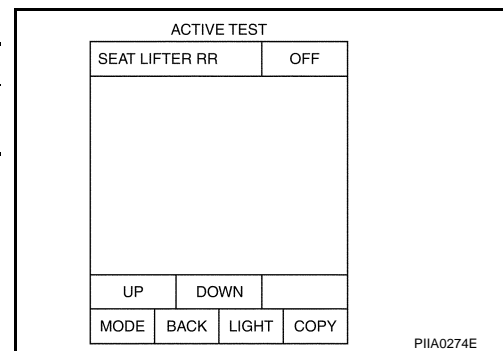
- OK >> GO TO 2.
- NG >> Repair the malfunctioning part and check again.

### 2. CHECK FUNCTION

#### With CONSULT-II

Check operation with "SEAT LIFTER RR" in ACTIVE TEST.

| Test item      | Description                                                          |
|----------------|----------------------------------------------------------------------|
| SEAT LIFTER RR | The lifting motor (rear) is activated by receiving the drive signal. |



#### Without CONSULT-II

GO TO 3.

OK or NG

- OK >> Lifting motor (rear) circuit is OK.
- NG >> GO TO 3.

### 3. CHECK LIFTING MOTOR (REAR) CIRCUIT HARNESS CONTINUITY

1. Turn ignition switch OFF.
2. Disconnect driver seat control unit and lifting motor (rear).
3. Check continuity between driver seat control unit connector P3 terminals 38, 39 and lifting motor (rear) connector P7 terminals 4, 6.

**38 (B/W) - 6 (B/W) : Continuity should exist.**

**39 (Y) - 4 (Y) : Continuity should exist.**

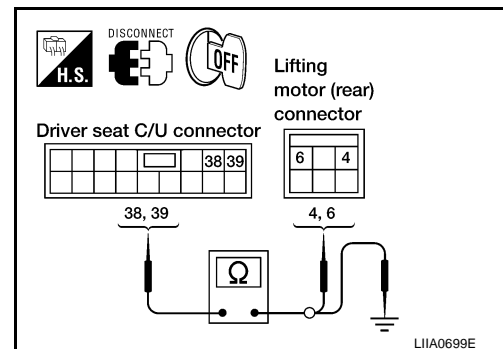
4. Check continuity between driver seat control unit P3 terminals 38, 39 and ground.

**38 (B/W) - Ground : Continuity should not exist.**

**39 (Y) - Ground : Continuity should not exist.**

OK or NG

- OK >> GO TO 4.
- NG >> Repair or replace harness.

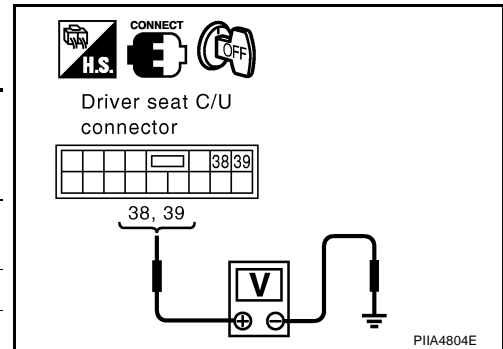


# AUTOMATIC DRIVE POSITIONER

## 4. CHECK DRIVER SEAT CONTROL UNIT OUTPUT SIGNAL

1. Connect the driver seat control unit and lifting motor (rear).
2. Check voltage between driver seat control unit connector and ground.

| Connector | Terminals<br>(Wire color) |        | Condition                                    | Voltage (V)<br>(Approx.) |
|-----------|---------------------------|--------|----------------------------------------------|--------------------------|
|           | (+)                       | (-)    |                                              |                          |
| P3        | 38 (B/W)                  | Ground | Lifting switch (rear) ON<br>(UP operation)   | Battery voltage          |
|           |                           |        | Other than above                             | 0                        |
|           | 39 (Y)                    |        | Lifting switch (rear) ON<br>(DOWN operation) | Battery voltage          |
|           |                           |        | Other than above                             | 0                        |



OK or NG

- OK >> Replace lifting motor (rear).
- NG >> Replace driver seat control unit.

## Pedal Adjusting Motor Circuit Inspection

EIS0040U

### 1. CHECK PEDAL ADJUSTING MECHANISM

Check the following.

- Operation malfunction caused by pedal adjusting mechanism deformation or pinched harness or other foreign materials
- Operation malfunction and interference with other parts by poor installation

OK or NG

- OK >> GO TO 2.
- NG >> Repair or replace the malfunctioning part and check again.

### 2. CHECK FUNCTION

#### With CONSULT-II

Check operation with "ADJ PEDAL MOTOR" in ACTIVE TEST.

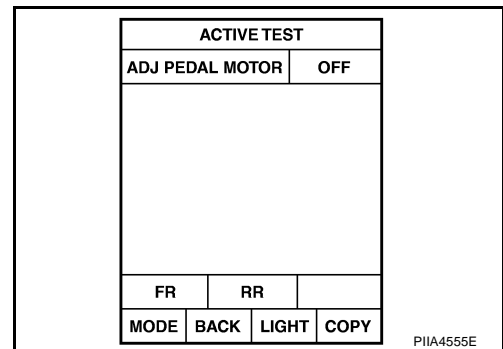
| Test item       | Description                                                           |
|-----------------|-----------------------------------------------------------------------|
| ADJ PEDAL MOTOR | The pedal adjusting motor is activated by receiving the drive signal. |

#### Without CONSULT-II

GO TO 3.

OK or NG

- OK >> Pedal adjusting motor circuit is OK.
- NG >> GO TO 3.





# AUTOMATIC DRIVE POSITIONER

## 3. CHECK PEDAL ADJUSTING MOTOR CIRCUIT HARNESS CONTINUITY

1. Turn ignition switch OFF.
2. Disconnect automatic drive positioner control unit and pedal adjusting motor.
3. Check continuity between automatic drive positioner control unit connector M34 terminals 37, 45 and pedal adjusting motor connector E109 terminals 1, 2.

**37 (G) - 1 (G) : Continuity should exist.**

**45 (R) - 2 (R) : Continuity should exist.**

4. Check continuity between automatic drive positioner control unit connector M34 terminals 37, 45 and ground.

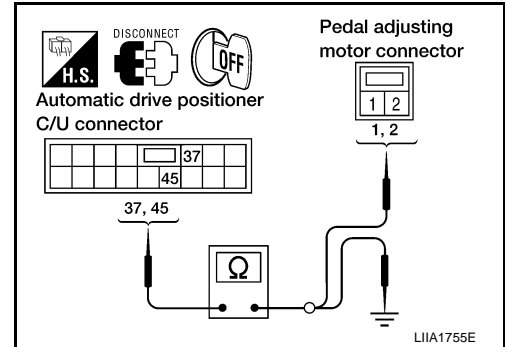
**37 (G) - Ground : Continuity should not exist.**

**45 (R) - Ground : Continuity should not exist.**

OK or NG

OK >> GO TO 4.

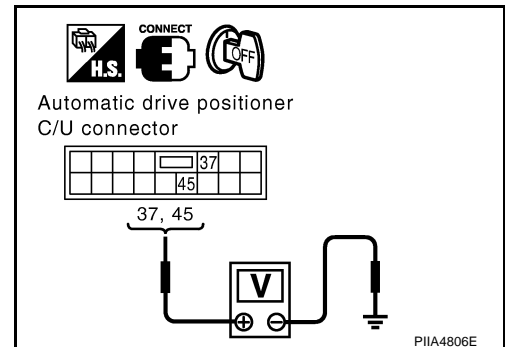
NG >> Repair or replace harness.



## 4. CHECK AUTOMATIC DRIVE POSITIONER CONTROL UNIT OUTPUT SIGNAL

1. Connect the automatic drive positioner control unit and pedal adjusting motor.
2. Check voltage between automatic drive positioner control unit connector and ground.

| Connector | Terminals (Wire color) |        | Condition                                      | Voltage (V) (Approx.) |
|-----------|------------------------|--------|------------------------------------------------|-----------------------|
|           | (+)                    | (-)    |                                                |                       |
| M34       | 37 (G)                 | Ground | Pedal adjusting switch ON (FORWARD operation)  | Battery voltage       |
|           |                        |        | Other than above                               | 0                     |
|           | 45 (R)                 |        | Pedal adjusting switch ON (BACKWARD operation) | Battery voltage       |
|           |                        |        | Other than above                               | 0                     |



OK or NG

OK >> Replace pedal adjusting motor.

NG >> Replace automatic drive positioner control unit.

## Mirror Motor LH Circuit Check

EIS0040V

### 1. CHECK DOOR MIRROR LH MECHANISM

Check the following items.

Operation malfunction caused by a foreign object caught in door mirror face edge.

OK or NG

OK >> GO TO 2.

NG >> Repair or replace the malfunctioning parts, and check the symptom again.

# AUTOMATIC DRIVE POSITIONER

## 2. CHECK FUNCTION

### Ⓜ With CONSULT-II

Check the operation with "MIRROR MOTOR LH" in the ACTIVE TEST.

| Test item       | Description                                                                                |
|-----------------|--------------------------------------------------------------------------------------------|
| MIRROR MOTOR LH | The mirror motor LH moves the mirror UP/DOWN and LEFT/RIGHT by receiving the drive signal. |

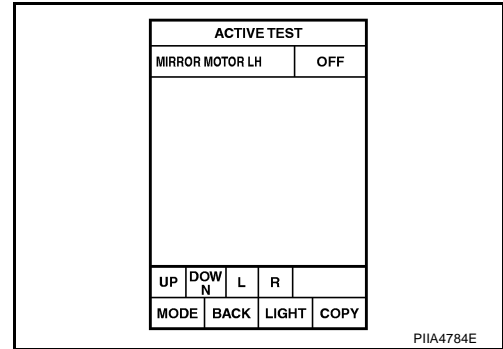
### ⊗ Without CONSULT-II

GO TO 3.

OK or NG

OK >> Mirror motor LH circuit is OK.

NG >> GO TO 3.



## 3. CHECK DOOR MIRROR MOTOR LH CIRCUIT HARNESS CONTINUITY

- Turn ignition switch OFF.
- Disconnect automatic drive positioner control unit and door mirror LH.
- Check continuity between automatic drive positioner control unit connector M33 terminals 16, 31, 32 and door mirror LH connector D4 terminals 1, 2, 3.

**16 (O) - 3 (O) : Continuity should exist.**

**31 (R) - 1 (R) : Continuity should exist.**

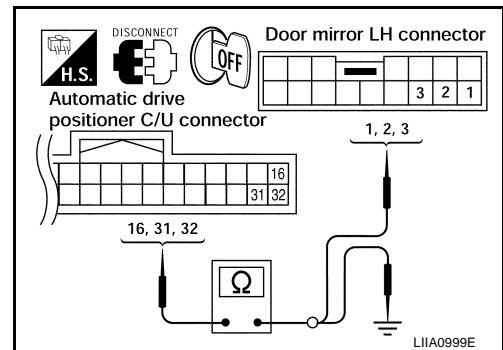
**32 (BR) - 2 (BR) : Continuity should exist.**

- Check continuity between automatic drive positioner control unit connector M41 terminals 16, 31, 32 and ground.

**16 (O) - Ground : Continuity should not exist.**

**31 (R) - Ground : Continuity should not exist.**

**32 (BR) - Ground : Continuity should not exist.**



OK or NG

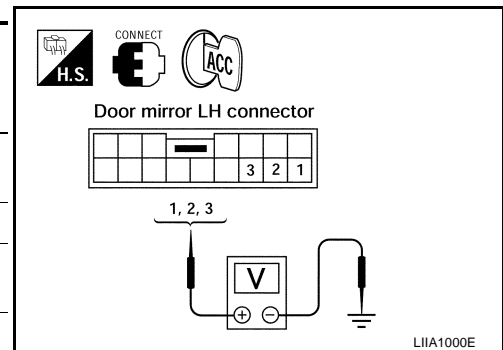
OK >> GO TO 4.

NG >> Repair or replace harness.

## 4. CHECK MIRROR MOTOR SIGNAL

- Turn ignition switch to ACC.
- Check voltage between door mirror LH connector and ground.

| Connector | Terminals<br>(Wire color) |        | Condition                            | Voltage (V)<br>(Approx.) |
|-----------|---------------------------|--------|--------------------------------------|--------------------------|
|           | (+)                       | (-)    |                                      |                          |
| D4        | 1<br>(R)                  | Ground | When motor is operated UP            | 1.5 - Battery voltage    |
|           |                           |        | Other than above                     | 0                        |
|           | 2<br>(BR)                 |        | When motor is operated LEFT          | 1.5 - Battery voltage    |
|           |                           |        | Other than above                     | 0                        |
|           | 3<br>(O)                  |        | When motor is operated DOWN or RIGHT | 1.5 - Battery voltage    |
|           |                           |        | Other than above                     | 0                        |



OK or NG

OK >> Replace door mirror LH. Refer to [GW-97, "Door Mirror Assembly"](#).

NG >> Repair or replace harness.

# AUTOMATIC DRIVE POSITIONER

EIS0040W

## Mirror Motor RH Circuit Check

### 1. CHECK DOOR MIRROR RH MECHANISM

Check the following items.

Operation malfunction caused by a foreign object caught in door mirror face edge.

OK or NG

OK >> GO TO 2.

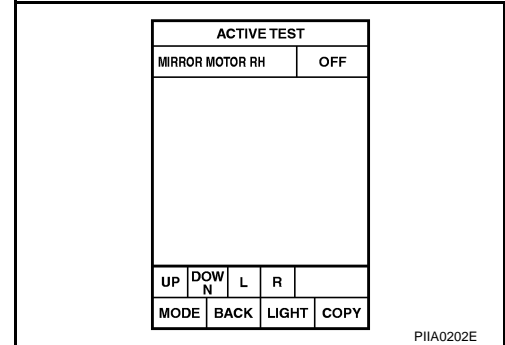
NG >> Repair or replace the malfunctioning parts, and check the symptom again.

### 2. CHECK FUNCTION

#### With CONSULT-II

Check the operation with "MIRROR MOTOR RH" in the ACTIVE TEST.

| Test item       | Description                                                                                |
|-----------------|--------------------------------------------------------------------------------------------|
| MIRROR MOTOR RH | The mirror motor RH moves the mirror UP/DOWN and LEFT/RIGHT by receiving the drive signal. |



#### Without CONSULT-II

GO TO 3.

OK or NG

OK >> Mirror motor RH circuit is OK.

NG >> GO TO 3.

### 3. CHECK DOOR MIRROR RH CIRCUIT HARNESS CONTINUITY

- Turn ignition switch OFF.
- Disconnect automatic drive positioner control unit and door mirror RH connector.
- Check continuity between automatic drive positioner control unit connector M33 terminals 14, 15, 30 and door mirror RH connector D107 terminals 1, 2, 3.

**14 (GR/R) - 1 (GR/R) : Continuity should exist.**

**15 (V/R) - 2 (V/R) : Continuity should exist.**

**30 (Y) - 3 (Y) : Continuity should exist.**

- Check continuity between automatic drive positioner control unit connector M33 terminals 14, 15, 30 and ground.

**14 (GR/R) - Ground : Continuity should not exist.**

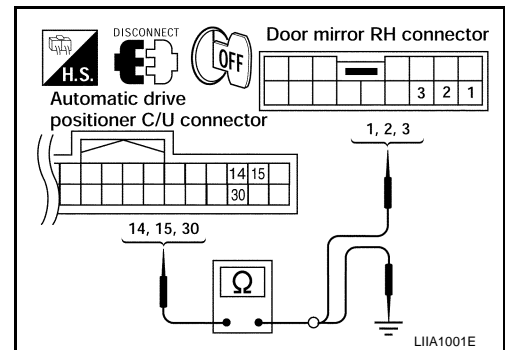
**15 (V/R) - Ground : Continuity should not exist.**

**30 (Y) - Ground : Continuity should not exist.**

OK or NG

OK >> GO TO 4.

NG >> Repair or replace harness.

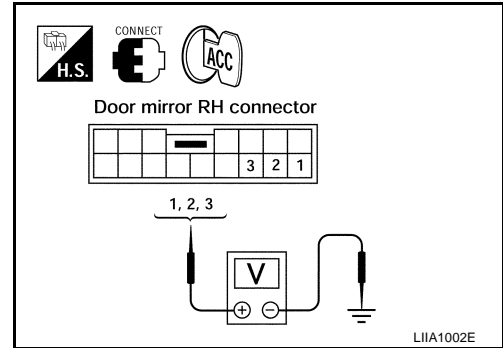


# AUTOMATIC DRIVE POSITIONER

## 4. CHECK MIRROR MOTOR SIGNAL

1. Turn ignition switch to ACC.
2. Check voltage between door mirror RH connector and ground.

| Connector | Terminals<br>(Wire color) |        | Condition                              | Voltage (V)<br>(Approx.) |
|-----------|---------------------------|--------|----------------------------------------|--------------------------|
|           | (+)                       | (-)    |                                        |                          |
| D107      | 1 (GR/R)                  | Ground | Mirror motor is operated UP            | 1.5 - Battery voltage    |
|           |                           |        | Other than above                       | 0                        |
|           | 2 (V/R)                   |        | Mirror motor is operated LEFT          | 1.5 - Battery voltage    |
|           |                           |        | Other than above                       | 0                        |
|           | 3 (Y)                     |        | Mirror motor is operated DOWN or RIGHT | 1.5 - Battery voltage    |
|           |                           |        | Other than above                       | 0                        |



### OK or NG

- OK >> Replace door mirror motor RH. Refer to [GW-97, "Door Mirror Assembly"](#) .
- NG >> Repair or replace harness.

# AUTOMATIC DRIVE POSITIONER

EIS0040X

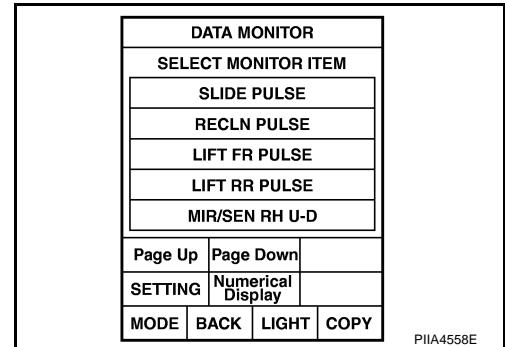
## Sliding Sensor Circuit Inspection

### 1. CHECK FUNCTION

#### With CONSULT-II

Check operation with "SLIDE PULSE" on the DATA MONITOR to make sure the pulse changes.

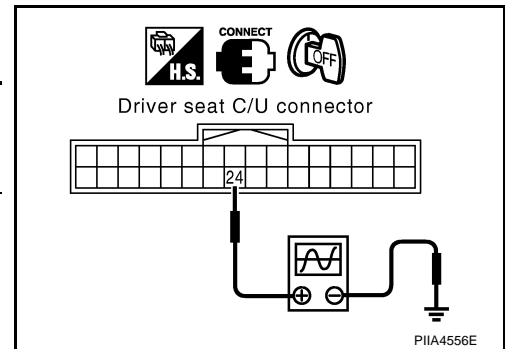
| Monitor item [OPERATION or UNIT] | Contents |                                                                                      |
|----------------------------------|----------|--------------------------------------------------------------------------------------|
| SLIDE PULSE                      | —        | The seat sliding position (pulse) judged from the sliding sensor signal is displayed |



#### Without CONSULT-II

- Turn ignition switch OFF.
- Check signal between driver seat control unit connector and ground, with oscilloscope.

| Connector | Terminals (Wire color) |        | Condition               | Signal |
|-----------|------------------------|--------|-------------------------|--------|
|           | (+)                    | (-)    |                         |        |
| P2        | 24 (Y/G)               | Ground | Sliding motor operation |        |



OK or NG

- OK >> Sliding sensor circuit is OK.
- NG >> GO TO 2.

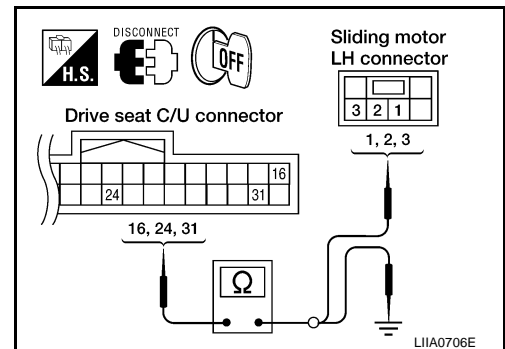
### 2. CHECK SLIDING MOTOR SENSOR CIRCUIT HARNESS CONTINUITY

- Disconnect driver seat control unit connector and sliding motor LH connector.
- Check continuity between driver seat control unit connector P2 terminals 16, 24, 31 and sliding motor P4 terminals 1, 2, 3.

- 16 (W) - 3 (W) : Continuity should exist.**
- 24 (Y/G) - 2 (Y/G) : Continuity should exist.**
- 31 (L/Y) - 1 (L/Y) : Continuity should exist.**

- Check continuity between driver seat control unit P2 terminals 16, 24, 31 and ground.

- 16 (W) - Ground : Continuity should not exist.**
- 24 (Y/G) - Ground : Continuity should not exist.**
- 31 (L/Y) - Ground : Continuity should not exist**



OK or NG

- OK >> Replace sliding motor.
- NG >> Repair or replace harness.

# AUTOMATIC DRIVE POSITIONER

EIS0040Y

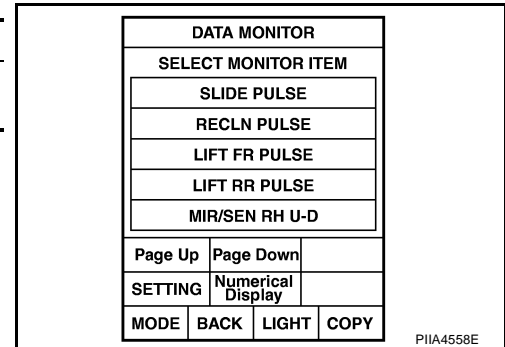
## Reclining Sensor Circuit Inspection

### 1. CHECK FUNCTION

#### With CONSULT-II

Check operation with "RECLN PULSE" on the DATA MONITOR to make sure the pulse changes.

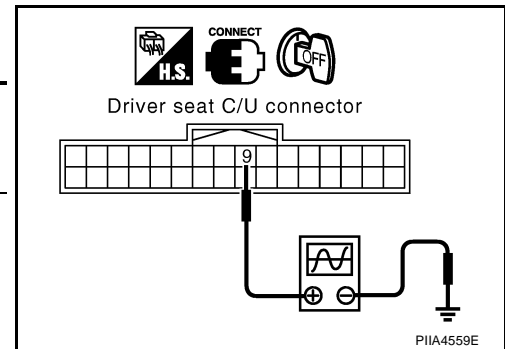
| Monitor item [OPERATION or UNIT] | Contents                                                                          |
|----------------------------------|-----------------------------------------------------------------------------------|
| RECLN PULSE                      | The seat reclining position (pulse) judged from the reclining sensor is displayed |



#### Without CONSULT-II

- Turn ignition switch OFF.
- Check signal between driver seat control unit connector and ground, with oscilloscope.

| Connector | Terminals (Wire color) |        | Condition                 | Signal |
|-----------|------------------------|--------|---------------------------|--------|
|           | (+)                    | (-)    |                           |        |
| P2        | 9 (L/R)                | Ground | Reclining motor operation |        |



OK or NG

- OK >> Reclining sensor circuit is OK.  
 NG >> GO TO 2.

### 2. CHECK RECLINING MOTOR SENSOR CIRCUIT HARNESS CONTINUITY

- Disconnect driver seat control unit and reclining motor LH.
- Check continuity between driver seat control unit connector P2 terminals 9, 31 and reclining motor LH connector P5 terminals 1, 2.

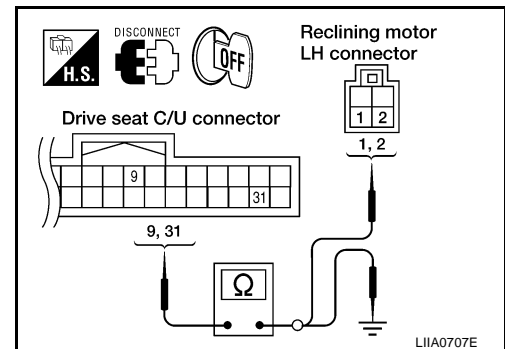
**9 (L/R) - 2 (L/R) : Continuity should exist.**

**31 (L/Y) - 1 (L/Y) : Continuity should exist.**

- Check continuity between driver seat control unit connector P2 terminals 9, 31 and ground.

**9 (L/R) - Ground : Continuity should not exist.**

**31 (L/Y) - Ground : Continuity should not exist.**



OK or NG

- OK >> Replace reclining motor.  
 NG >> Repair or replace harness.

# AUTOMATIC DRIVE POSITIONER

EIS0040Z

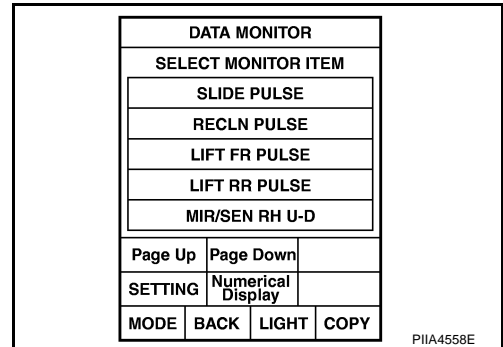
## Lifting Sensor (Front) Circuit Inspection

### 1. CHECK FUNCTION

#### With CONSULT-II

Check operation with "LIFT FR PULSE" on the DATA MONITOR to make sure the pulse changes.

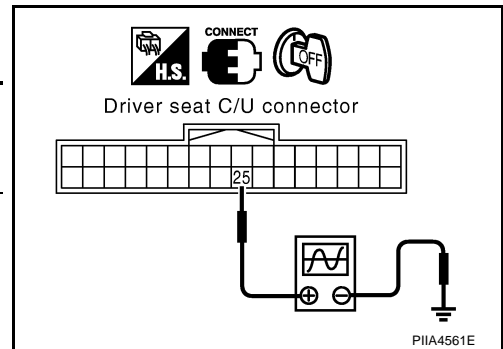
| Monitor item [OPERATION or UNIT] | Contents                                                                                    |
|----------------------------------|---------------------------------------------------------------------------------------------|
| LIFT FR PULSE                    | —<br>The front lifting position (pulse) judged from the lifting sensor (front) is displayed |



#### Without CONSULT-II

- Turn ignition switch OFF.
- Check signal between driver seat control unit connector and ground, with oscilloscope.

| Connector | Terminals (Wire color) |        | Condition                       | Signal |
|-----------|------------------------|--------|---------------------------------|--------|
|           | (+)                    | (-)    |                                 |        |
| P2        | 25 (LG)                | Ground | Lifting motor (front) operation |        |



#### OK or NG

- OK >> Front lifting sensor is OK.
- NG >> GO TO 2.

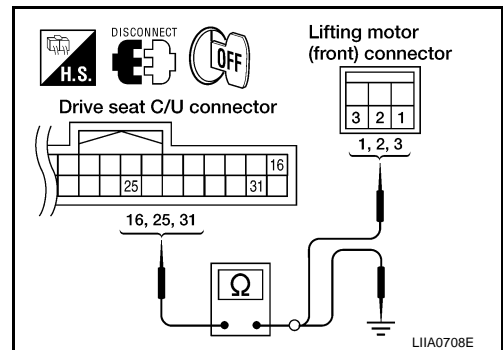
### 2. CHECK FRONT LIFTING MOTOR SENSOR CIRCUIT HARNESS CONTINUITY

- Disconnect driver seat control unit and lifting motor (front).
- Check continuity between driver seat control unit connector P2 terminals 16, 25, 31 and lifting motor (front) connector P6 terminals 1, 2, 3.

- 16 (W) - 3 (W) : Continuity should exist.**
- 25 (LG) - 2 (LG) : Continuity should exist.**
- 31 (LY) - 1 (LY) : Continuity should exist.**

- Check continuity between driver seat control unit connector P2 terminals 16, 25, 31 and ground.

- 16 (W) - Ground : Continuity should not exist.**
- 25 (LG) - Ground : Continuity should not exist.**
- 31 (LY) - Ground : Continuity should not exist.**



#### OK or NG

- OK >> Replace lifting motor (front).
- NG >> Repair or replace harness.

# AUTOMATIC DRIVE POSITIONER

EIS004P0

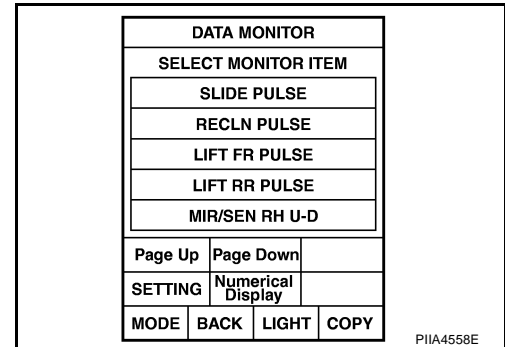
## Lifting Sensor (Rear) Circuit Inspection

### 1. CHECK FUNCTION

#### With CONSULT-II

Check operation with "LIFT RR PULSE" on the DATA MONITOR to make sure pulse changes.

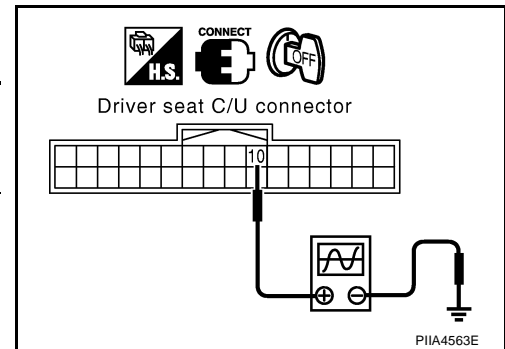
| Monitor item [OPERATION or UNIT] |   |                                                                                       |
|----------------------------------|---|---------------------------------------------------------------------------------------|
| LIFT RR PULSE                    | — | The rear lifting position (pulse) judged from the lifting sensor (rear) is displayed. |



#### Without CONSULT-II

- Turn ignition switch OFF.
- Check signal between driver seat control unit connector and ground, with oscilloscope.

| Connector | Terminals (Wire color) |        | Condition                      | Signal |
|-----------|------------------------|--------|--------------------------------|--------|
|           | (+)                    | (-)    |                                |        |
| P2        | 10 (W)                 | Ground | Lifting motor (rear) operation |        |



#### OK or NG

- OK >> Rear lifting sensor circuit is OK.
- NG >> GO TO 2.

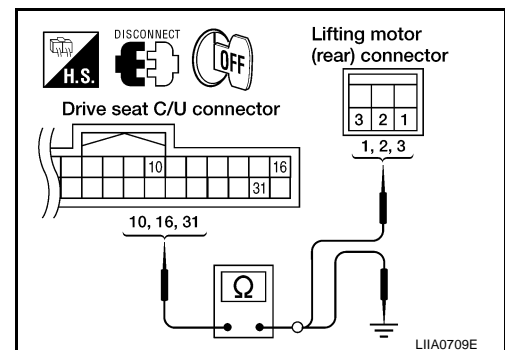
### 2. CHECK REAR LIFTING MOTOR SENSOR CIRCUIT HARNESS CONTINUITY

- Disconnect driver seat control unit and lifting motor (rear).
- Check continuity between driver seat control unit connector P2 terminals 10, 16, 31 and lifting motor (rear) connector P7 terminals 1, 2, 3.

- 10 (W) - 2 (W) : Continuity should exist.**
- 16 (W) - 3 (W) : Continuity should exist.**
- 31 (L/Y) - 1 (L/Y) : Continuity should exist.**

- Check continuity between driver seat control unit connector P2 terminals 10, 16, 31 and ground.

- 10 (W) - Ground : Continuity should not exist.**
- 16 (W) - Ground : Continuity should not exist.**
- 31 (W) - Ground : Continuity should not exist.**



#### OK or NG

- OK >> Replace lifting motor (rear).
- NG >> Repair or replace harness.



# AUTOMATIC DRIVE POSITIONER

EIS004P1

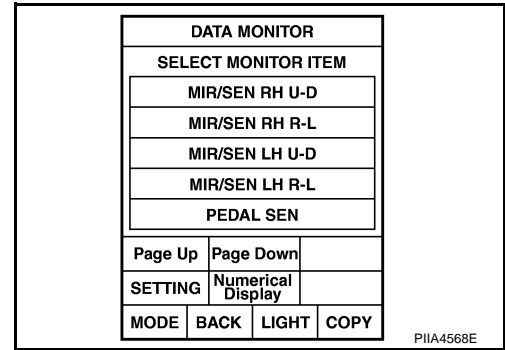
## Pedal Adjusting Sensor Circuit Inspection

### 1. CHECK FUNCTION

**④ With CONSULT-II**

Operate the pedal adjusting switch with "PEDAL SEN" on the DATA MONITOR to make sure the voltage changes.

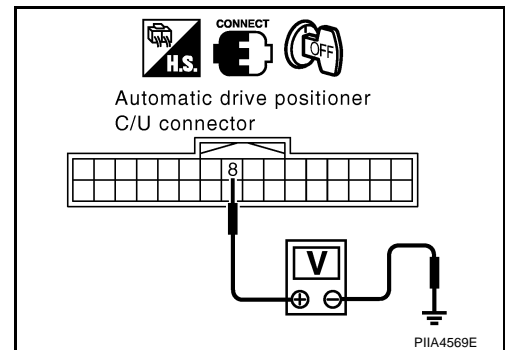
| Monitor item [OPERATION or UNIT] |     | Contents                                                                                        |
|----------------------------------|-----|-------------------------------------------------------------------------------------------------|
| PEDAL SEN                        | "V" | The pedal adjusting position (voltage) judged from the pedal adjust sensor signal is displayed. |



**⊗ Without CONSULT-II**

1. Turn ignition switch OFF.
2. Check voltage between automatic drive positioner control unit connector and ground.

| Connector | Terminals (Wire color) |        | Condition                | Voltage (V) (Approx.) |
|-----------|------------------------|--------|--------------------------|-----------------------|
|           | (+)                    | (-)    |                          |                       |
| M33       | 8 (BR/Y)               | Ground | Pedal front end position | 0.5                   |
|           |                        |        | Pedal back end position  | 4.5                   |



**OK or NG**

- OK >> Pedal adjusting sensor circuit is OK.
- NG >> GO TO 2.

A  
B  
C  
D  
E  
F  
G  
H  
SE  
J  
K  
L  
M

# AUTOMATIC DRIVE POSITIONER

## 2. CHECK PEDAL ADJUSTING SENSOR CIRCUIT HARNESS CONTINUITY

1. Disconnect automatic drive positioner control unit and pedal adjusting sensor.
2. Check continuity between automatic drive positioner connector M33, M34 terminals 8, 33, 41 and pedal adjusting sensor connector E110 terminals 3, 4, 5.

**8 (BR/Y) - 4 (BR/Y) : Continuity should exist.**

**33 (W/L) - 3 (W/L) : Continuity should exist.**

**41 (W/G) - 5 (W/G) : Continuity should exist.**

3. Check continuity between automatic drive positioner control unit connector M33, M34 terminals 8, 33, 41 and ground.

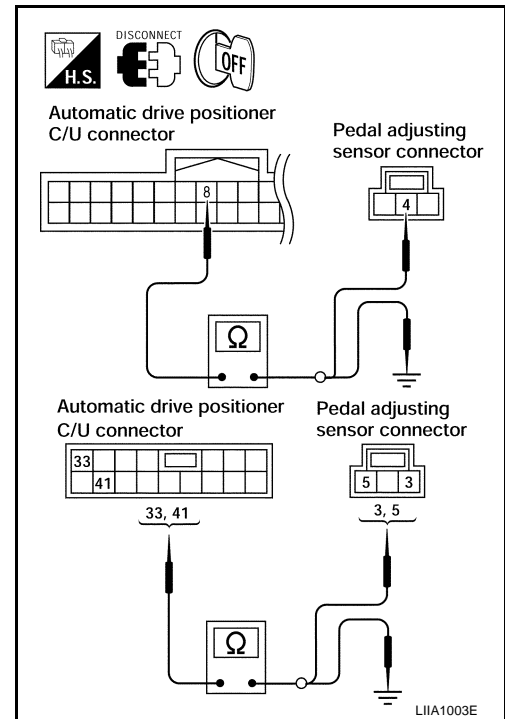
**8 (BR/Y) - Ground : Continuity should not exist.**

**33 (W/L) - Ground : Continuity should not exist.**

**41 (W/G) - Ground : Continuity should not exist.**

### OK or NG

- OK >> Replace pedal adjusting motor.  
NG >> Repair or replace harness.



## Mirror Sensor LH Circuit Check

### 1. CHECK DOOR MIRROR FUNCTION

Check the following items.  
Operation malfunction in memory control

#### NOTE:

If a door mirror face position is set to an implausible angle, the set position may not be reproduced.

### OK or NG

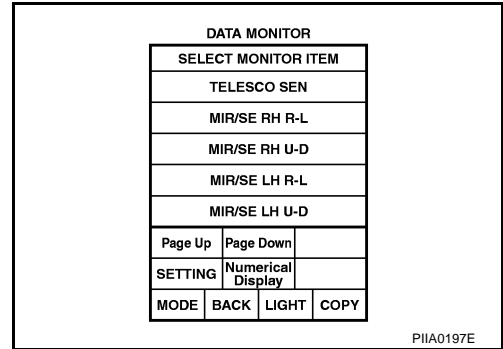
- OK >> GO TO 2.  
NG >> Repair or replace the malfunctioning parts, and check the symptom again.

# AUTOMATIC DRIVE POSITIONER

## 2. CHECK MIRROR SENSOR INSPECTION

### With CONSULT-II

Check that "ON" is displayed on "MIR/SEN LH R-L, MIR/SEN LH U-D" in the DATA MONITOR.

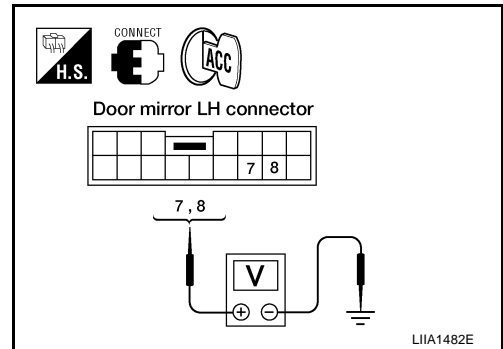


| Monitor item [OPERATION or UNIT] |     | Contents                                                          |
|----------------------------------|-----|-------------------------------------------------------------------|
| MIR/SEN LH R-L                   | "V" | Voltage output from door mirror LH sensor (LH/RH) is displayed.   |
| MIR/SEN LH U-D                   | "V" | Voltage output from door mirror LH sensor (UP/DOWN) is displayed. |

### Without CONSULT-II

- Turn ignition switch to ACC.
- Check voltage between door mirror LH connector and ground.

| Con-connector | Terminals (Wire color) |        | Condition                              | Voltage (V) (Approx.)                                                |
|---------------|------------------------|--------|----------------------------------------|----------------------------------------------------------------------|
|               | (+)                    | (-)    |                                        |                                                                      |
| D4            | 7 (L/Y)                | Ground | Mirror motor is operated UP or DOWN    | Changes between 3.4 (close to right edge) – 0.6 (close to left edge) |
|               | 8 (G)                  |        | Mirror motor is operated LEFT or RIGHT | Changes between 3.4 (close to peak) – 0.6 (close to valley)          |



OK or NG

- OK >> Mirror sensor LH is OK.
- NG >> GO TO 3.

## 3. CHECK HARNESS CONTINUITY 1

- Disconnect automatic drive positioner control unit and door mirror LH.
- Check continuity between automatic drive positioner control unit connector M34 terminals 33, 41 and door mirror LH connector D4 terminals 5, 6.

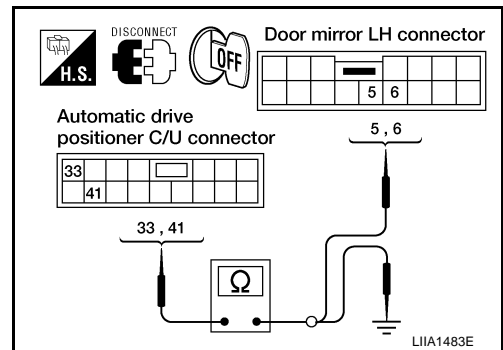
- 33 (W/L) - 5 (W/L) : Continuity should exist.**
- 41 (W/G) - 6 (W/G) : Continuity should exist.**

- Check continuity between automatic drive positioner control unit connector M34 terminals 33, 41 and ground.

- 33 (W/L) - Ground : Continuity should not exist.**
- 41 (W/G) - Ground : Continuity should not exist.**

OK or NG

- OK >> GO TO 4.
- NG >> Repair or replace harness.



# AUTOMATIC DRIVE POSITIONER

## 4. CHECK HARNESS CONTINUITY 2

1. Disconnect automatic drive positioner control unit and door mirror LH.
2. Check continuity between automatic drive positioner control unit connector M33 terminals 6, 22 and door mirror LH connector D4 terminals 7, 8.

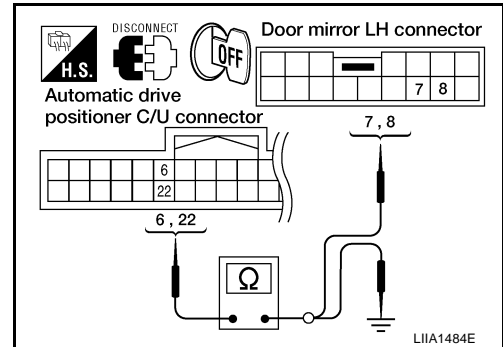
**6 (L/Y) - 7 (L/Y) : Continuity should exist.**  
**22 (G) - 8 (G) : Continuity should exist.**

3. Check continuity between automatic drive positioner control unit connector M33 terminals 6, 22 and ground.

**6 (L/Y) - Ground : Continuity should not exist.**  
**22 (G) - Ground : Continuity should not exist.**

OK or NG

- OK >> Replace door mirror LH. Refer to [GW-97, "Door Mirror Assembly"](#).  
 NG >> Repair or replace harness.



## Mirror Sensor RH Circuit Check

EIS004P3

### 1. CHECK DOOR MIRROR FUNCTION

Check the following items.  
 Operation malfunction in memory control

**NOTE:**

If a door mirror face position is set to an implausible angle, the set position may not be reproduced.

OK or NG

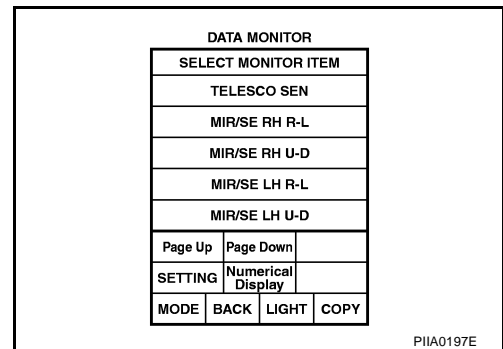
- OK >> GO TO 2.  
 NG >> Repair or replace the malfunctioning parts, and check the symptom again.

### 2. CHECK MIRROR SENSOR INSPECTION

**Ⓜ With CONSULT-II**

Check that "ON" is displayed on "MIR/SEN RH R-L, MIR/SEN RH U-D" in the DATA MONITOR.

| Monitor item [OPERATION or UNIT] |     | Contents                                                          |
|----------------------------------|-----|-------------------------------------------------------------------|
| MIR/SEN RH R-L                   | "V" | Voltage output from door mirror RH sensor (LH/RH) is displayed.   |
| MIR/SEN RH U-D                   | "V" | Voltage output from door mirror RH sensor (UP/DOWN) is displayed. |



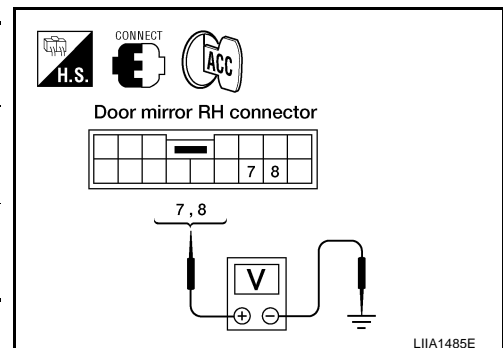
**⊗ Without CONSULT-II**

1. Turn ignition switch to ACC.
2. Check voltage between door mirror RH connector and ground.

| Con-<br>nector | Terminals (Wire color) |        | Condition                           | Voltage(V)<br>(Approx.)                                              |
|----------------|------------------------|--------|-------------------------------------|----------------------------------------------------------------------|
|                | (+)                    | (-)    |                                     |                                                                      |
| D107           | 7 (R/B)                | Ground | Mirror motor is operated UP or DOWN | Changes between 3.4 (close to left edge) – 0.6 (close to right edge) |
|                | 8 (L/W)                |        | Mirror motor is operated UP or DOWN | Changes between 3.4 (close to peak) – 0.6 (close to valley)          |

OK or NG

- OK >> Mirror sensor RH is OK.  
 NG >> GO TO 3.



# AUTOMATIC DRIVE POSITIONER

## 3. CHECK HARNESS CONTINUITY 1

1. Disconnect automatic drive positioner control unit and door mirror RH.
2. Check continuity between automatic drive positioner control unit connector M34 terminals 33, 41 and door mirror RH connector D107 terminals 5, 6.

**33 (W/L) - 5 (W/L) : Continuity should exist.**

**41 (W/G) - 6 (W/G) : Continuity should exist.**

3. Check continuity between automatic drive positioner control unit connector M34 terminals 33, 41 and ground.

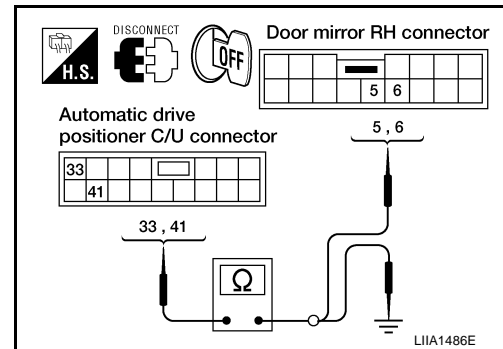
**33 (W/L) - Ground : Continuity should not exist.**

**41 (W/G) - Ground : Continuity should not exist.**

OK or NG

OK >> GO TO 4.

NG >> Repair or replace harness.



## 4. CHECK HARNESS CONTINUITY 2

1. Disconnect automatic drive positioner control unit and door mirror RH.
2. Check continuity between automatic drive positioner control unit connector M33 terminals 5, 21 and door mirror RH connector D107 terminals 7, 8.

**5 (R/B) - 7 (R/B) : Continuity should exist.**

**21 (L/W) - 8 (L/W) : Continuity should exist.**

3. Check continuity between automatic drive positioner control unit connector M33 terminals 5, 21 and ground.

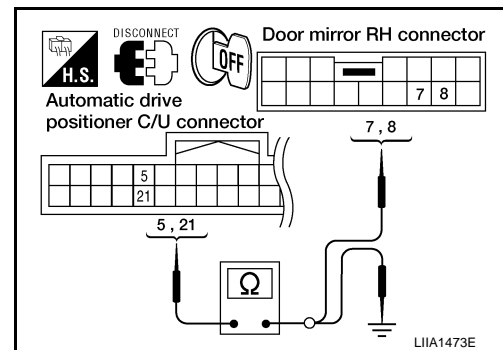
**5 (R/B) - Ground : Continuity should not exist.**

**21 (L/W) - Ground : Continuity should not exist.**

OK or NG

OK >> Replace door mirror RH. Refer to [GW-97, "Door Mirror Assembly"](#).

NG >> Repair or replace harness.



# AUTOMATIC DRIVE POSITIONER

EIS004P4

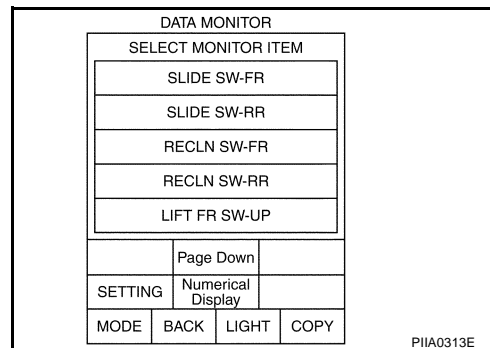
## Sliding Switch Circuit Inspection

### 1. CHECK FUNCTION

#### With CONSULT-II

With "SLIDE SW-FR, SLIDE SW-RR" on the DATA MONITOR, operate the sliding switch to check ON/OFF operation.

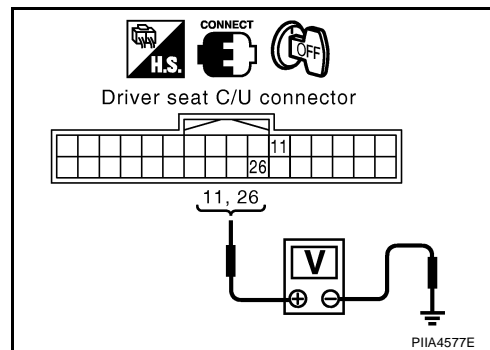
| Monitor item [OPERATION or UNIT] |          | Contents                                                                 |
|----------------------------------|----------|--------------------------------------------------------------------------|
| SLIDE SW-FR                      | "ON/OFF" | ON / OFF status judged from the sliding switch (FR) signal is displayed. |
| SLIDE SW-RR                      | "ON/OFF" | ON / OFF status judged from the sliding switch (RR) signal is displayed. |



#### Without CONSULT-II

1. Turn ignition switch OFF.
2. Check voltage between driver seat control unit connector and ground.

| Connector | Terminal (Wire color) |        | Condition                              | Voltage (V) (Approx.) |
|-----------|-----------------------|--------|----------------------------------------|-----------------------|
|           | (+)                   | (-)    |                                        |                       |
| P2        | 11 (R/B)              | Ground | Sliding switch ON (BACKWARD operation) | 0                     |
|           |                       |        | Other than above                       | Battery voltage       |
|           | 26 (P/B)              |        | Sliding switch ON (FORWARD operation)  | 0                     |
|           |                       |        | Other than above                       | Battery voltage       |



#### OK or NG

- OK >> Sliding switch circuit is OK.  
 NG >> GO TO 2.

### 2. CHECK SLIDING SWITCH CIRCUIT HARNESS CONTINUITY

1. Disconnect driver seat control unit connector and power seat switch LH connector.
2. Check continuity between driver seat control unit connector P2 terminals 11, 26 and power seat switch LH connector P8 terminals 1, 7.

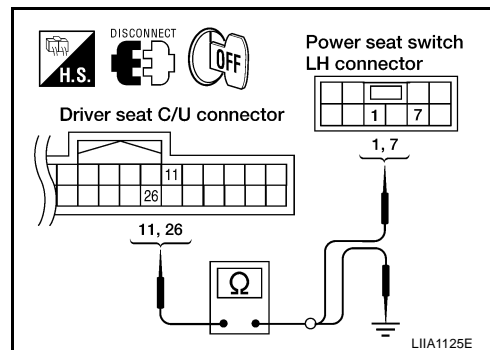
**11 (R/B) - 7 (R/B) : Continuity should exist.**

**26 (P/B) - 1 (P/B) : Continuity should exist.**

3. Check continuity between driver seat control unit connector P2 terminals 11, 26 and ground.

**11 (R/B) - Ground : Continuity should not exist.**

**26 (P/B) - Ground : Continuity should not exist.**



#### OK or NG

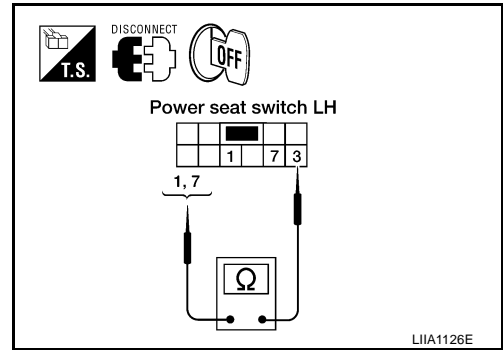
- OK >> GO TO 3.  
 NG >> Repair or replace harness.

# AUTOMATIC DRIVE POSITIONER

## 3. CHECK SLIDING SWITCH

Check continuity between power seat switch LH as follows.

| Connector | Terminal |     | Condition                              | Continuity |
|-----------|----------|-----|----------------------------------------|------------|
|           | (+)      | (-) |                                        |            |
| P8        | 7        | 3   | Sliding switch ON (BACKWARD operation) | Yes        |
|           |          |     | Other than above                       | No         |
|           | 1        |     | Sliding switch ON (FORWARD operation)  | Yes        |
|           |          |     | Other than above                       | No         |



OK or NG

- OK >> Check the condition of the harness and connector.
- NG >> Replace power seat switch LH.

## Reclining Switch Inspection

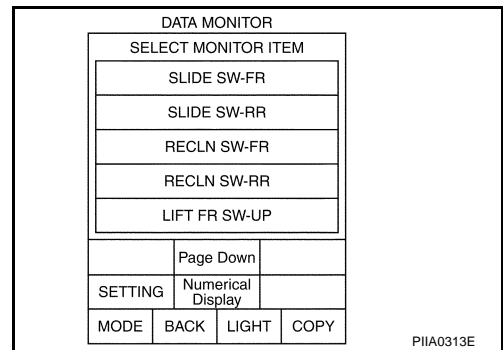
EIS004P5

### 1. CHECK FUNCTION

#### Ⓜ With CONSULT-II

With "RECLN SW-FR, RECLN SW-RR" on the DATA MONITOR, operate the reclining switch to check ON/OFF operation.

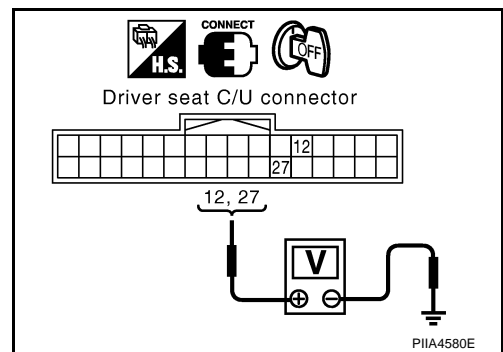
| Monitor item [OPERATION or UNIT] | Contents |                                                                          |
|----------------------------------|----------|--------------------------------------------------------------------------|
| RECLN SW -FR                     | "ON/OFF" | ON/OFF status judged from the reclining switch (FR) signal is displayed. |
| RECLIN SW -RR                    | "ON/OFF" | ON/OFF status judged from the reclining switch (RR) signal is displayed. |



#### ⊗ Without CONSULT-II

1. Turn ignition switch OFF.
2. Check voltage between driver seat control unit connector and ground.

| Connector | Terminals (Wire color) |        | Condition                                | Voltage (V) (Approx.) |
|-----------|------------------------|--------|------------------------------------------|-----------------------|
|           | (+)                    | (-)    |                                          |                       |
| P2        | 12 (O/B)               | Ground | Reclining switch ON (BACKWARD operation) | 0                     |
|           |                        |        | Other than above                         | Battery voltage       |
|           | 27 (G/B)               |        | Reclining switch ON (FORWARD operation)  | 0                     |
|           |                        |        | Other than above                         | Battery voltage       |



OK or NG

- OK >> Reclining switch circuit is OK.
- NG >> GO TO 2.

# AUTOMATIC DRIVE POSITIONER

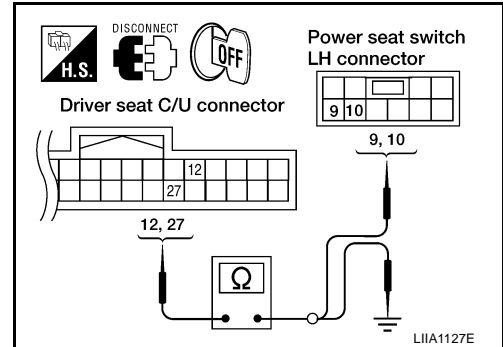
## 2. CHECK RECLINING SWITCH CIRCUIT HARNESS CONTINUITY

1. Disconnect driver seat control unit and power seat switch LH.
2. Check continuity between driver seat control unit connector P2 terminals 12, 27 and power seat switch LH connector P8 terminals 9, 10).

**12 (O/B) - 9 (O/B) : Continuity should exist.**  
**27 (G/B) - 10 (G/B) : Continuity should exist.**

3. Check continuity between driver seat control unit connector P2 terminals 12, 27 and ground.

**12 (O/B) - Ground : Continuity should not exist.**  
**27 (G/B) - Ground : Continuity should not exist.**



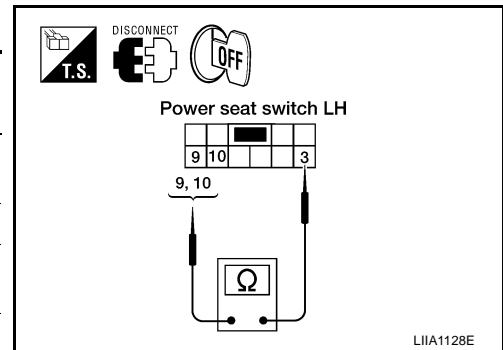
OK or NG

- OK >> GO TO 3.
- NG >> Repair or replace harness.

## 3. RECLINING SWITCH INSPECTION

Check continuity between power seat switch LH as follows.

| Connector | Terminal |     | Condition                                | Continuity |
|-----------|----------|-----|------------------------------------------|------------|
|           | (+)      | (-) |                                          |            |
| P8        | 9        | 3   | Reclining switch ON (BACKWARD operation) | Yes        |
|           |          |     | Other than above                         | No         |
|           | 10       |     | Reclining switch ON (FORWARD operation)  | Yes        |
|           |          |     | Other than above                         | No         |



OK or NG

- OK >> Check the condition of the harness and connector.
- NG >> Replace power seat switch LH.



# AUTOMATIC DRIVE POSITIONER

EIS004P6

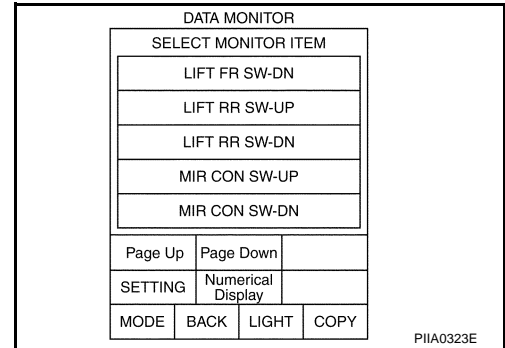
## Lifting Switch (Front) Circuit Inspection

### 1. CHECK FUNCTION

#### With CONSULT-II

With "LIFT FR SW-UP, LIFT FR SW-DN" on the DATA MONITOR, operate the lifting switch (front) to check ON/OFF operation.

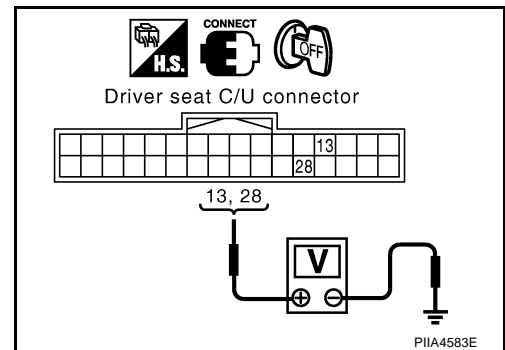
| Monitor item [OPERATION or UNIT] |          | Contents                                                                     |
|----------------------------------|----------|------------------------------------------------------------------------------|
| LIFT FR SW-DN                    | "ON/OFF" | ON / OFF status judged from the FR lifter switch (DOWN) signal is displayed. |
| LIFT RR SW-UP                    | "ON/OFF" | ON / OFF status judged from the RR lifter switch (UP) signal is displayed.   |



#### Without CONSULT-II

- Turn ignition switch OFF.
- Check voltage between driver seat control unit connector and ground.

| Connector | Terminals (Wire color) |        | Condition                                  | Voltage (V) (Approx.) |
|-----------|------------------------|--------|--------------------------------------------|-----------------------|
|           | (+)                    | (-)    |                                            |                       |
| P2        | 13 (L/B)               | Ground | Lifting switch (front) ON (DOWN operation) | 0                     |
|           |                        |        | Other than above                           | Battery voltage       |
|           | 28 (Y/B)               |        | Lifting switch (front) ON (UP operation)   | 0                     |
|           |                        |        | Other than above                           | Battery voltage       |



OK or NG

- OK >> Lifting switch (front) circuit is OK.
- NG >> GO TO 2.

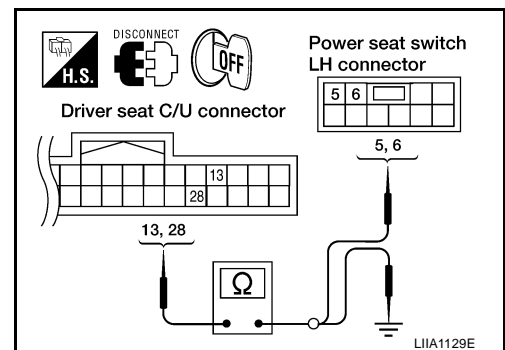
### 2. CHECK LIFTING SWITCH (FRONT) CIRCUIT HARNESS CONTINUITY

- Disconnect driver seat control unit and power seat switch LH.
- Check continuity between driver seat control unit connector P2 terminals 13, 28 and power seat switch LH connector P2 terminals 5, 6.

- 13 (L/B) - 5 (L/B) : Continuity should exist.
- 28 (Y/B) - 6 (Y/B) : Continuity should exist.

- Check continuity between driver seat control unit connector P2 terminals 13, 28 and ground

- 13 (L/B) - Ground : Continuity should not exist.
- 28 (Y/B) - Ground : Continuity should not exist.



OK or NG

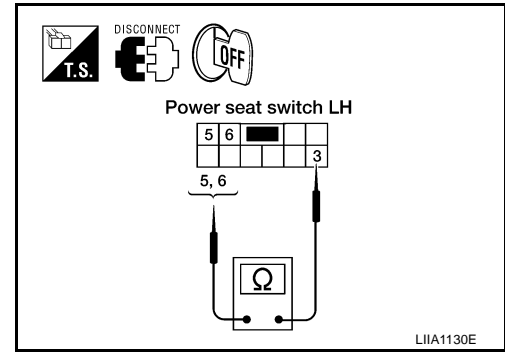
- OK >> GO TO 3.
- NG >> Repair or replace harness.

# AUTOMATIC DRIVE POSITIONER

## 3. CHECK LIFTING SWITCH (FRONT)

Check continuity between power seat switch LH as follows.

| Connector | Terminals |     | Condition                                  | Continuity |
|-----------|-----------|-----|--------------------------------------------|------------|
|           | (+)       | (-) |                                            |            |
| P8        | 5         | 3   | Lifting switch (front) ON (DOWN operation) | Yes        |
|           |           |     | Other than above                           | No         |
|           | 6         |     | Lifting switch (front) ON (UP operation)   | Yes        |
|           |           |     | Other than above                           | No         |



OK or NG

- OK >> Check the condition of the harness and connector.
- NG >> Replace power seat switch LH.

## Lifting Switch (Rear) Circuit Inspection

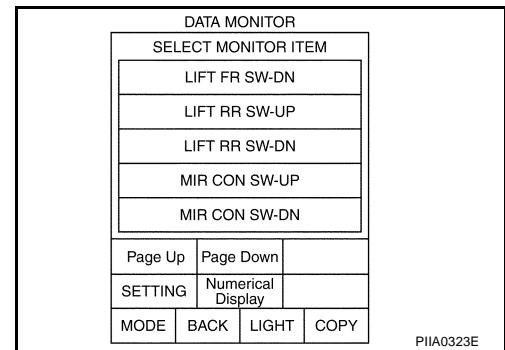
EIS004P7

### 1. CHECK FUNCTION

#### Ⓚ With CONSULT-II

With "LIFT RR SW-UP, LIFT RR SW-DN" on the DATA MONITOR, operate the rear lifting switch to check ON/OFF operation.

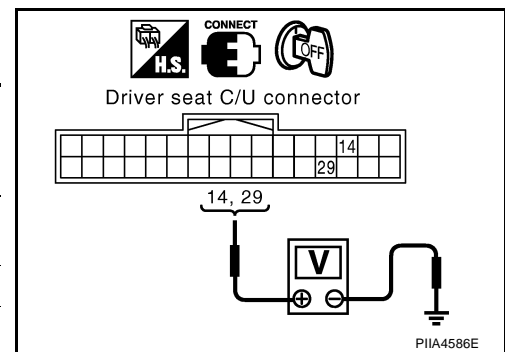
| Monitor item [OPERATION or UNIT] |          | Contents                                                                                      |
|----------------------------------|----------|-----------------------------------------------------------------------------------------------|
| LIFT RR SW-UP                    | "ON/OFF" | Operation (ON)/open (OFF) status judged from the RR lifter switch (UP) signal is displayed.   |
| LIFT RR SW-DN                    | "ON/OFF" | Operation (ON)/open (OFF) status judged from the RR lifter switch (DOWN) signal is displayed. |



#### ⊗ Without CONSULT-II

1. Turn ignition switch OFF.
2. Check voltage between driver seat control unit connector and ground.

| Connector | Terminals (Wire color) |        | Condition                               | Voltage (V) (Approx.) |
|-----------|------------------------|--------|-----------------------------------------|-----------------------|
|           | (+)                    | (-)    |                                         |                       |
| P2        | 14 (G/W)               | Ground | Rear lifting switch ON (DOWN operation) | 0                     |
|           |                        |        | Other than above                        | Battery voltage       |
|           | 29 (R/W)               |        | Rear lifting switch ON (UP operation)   | 0                     |
|           |                        |        | Other than above                        | Battery voltage       |



OK or NG

- OK >> Rear lifting switch circuit is OK.
- NG >> GO TO 2.

# AUTOMATIC DRIVE POSITIONER

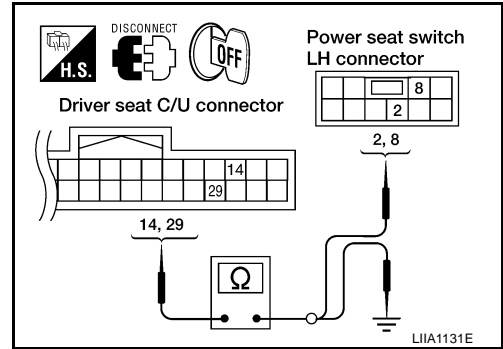
## 2. CHECK LIFTING SWITCH (REAR) CIRCUIT HARNESS CONTINUITY

1. Disconnect driver seat control unit and power seat switch LH.
2. Check continuity between driver seat control unit connector P2 terminals 14, 29 and power seat switch connector P8 terminals 2, 8.

**14 (G/W) - 8 (G/W) : Continuity should exist.**  
**29 (R/W) - 2 (R/W) : Continuity should exist.**

3. Check continuity between driver seat control unit connector P2 terminals 14, 29 and ground.

**14 (G/W) - Ground : Continuity should not exist.**  
**29 (R/W) - Ground : Continuity should not exist.**



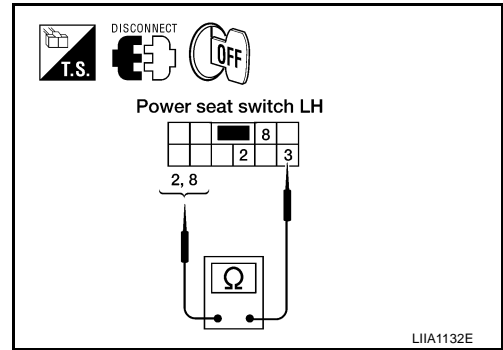
OK or NG

- OK >> GO TO 3.
- NG >> Repair or replace harness.

## 3. CHECK LIFTING SWITCH (REAR)

Check continuity between power seat switch LH as follows.

| Connector | Terminals |     | Condition                                 | Continuity |
|-----------|-----------|-----|-------------------------------------------|------------|
|           | (+)       | (-) |                                           |            |
| P8        | 8         | 3   | Lifting switch (rear) ON (DOWN operation) | Yes        |
|           |           |     | Other than above                          | No         |
|           | 2         |     | Lifting switch (rear) ON (UP operation)   | Yes        |
|           |           |     | Other than above                          | No         |



OK or NG

- OK >> Check the condition of the harness and connector.
- NG >> Replace power seat switch LH.

## Power Seat Switch Ground Inspection

EIS004P8

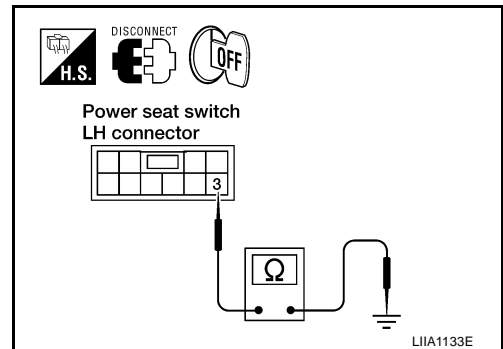
### 1. CHECK POWER SEAT SWITCH GROUND CIRCUIT

Check continuity between power seat switch LH connector P8 terminal 3 and ground.

**3 (B) - Ground : Continuity should exist.**

OK or NG

- OK >> Check the condition of the harness and connector.
- NG >> Repair or replace harness.



# AUTOMATIC DRIVE POSITIONER

EIS004P9

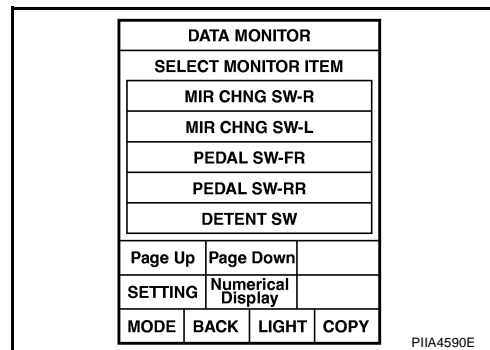
## Pedal Adjusting Switch Circuit Inspection

### 1. CHECK FUNCTION

#### ④ With CONSULT-II

With "PEDAL SW-FR, PEDAL SW-RR" on the DATA MONITOR, operate the pedal adjusting switch to check ON/OFF operation.

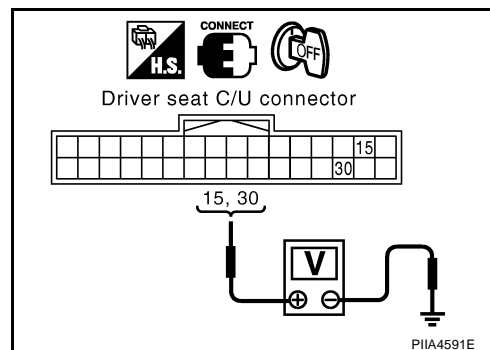
| Monitor item [OPERATION or UNIT] |          | Contents                                                                                          |
|----------------------------------|----------|---------------------------------------------------------------------------------------------------|
| PEDAL SW-FR                      | "ON/OFF" | Operation (ON)/open (OFF) status judged from the pedal adjusting switch (FR) signal is displayed. |
| PEDAL SW-RR                      | "ON/OFF" | Operation (ON)/open (OFF) status judged from the pedal adjusting switch (RR) signal is displayed. |



#### ⊗ Without CONSULT-II

- Turn ignition switch OFF.
- Check voltage between driver seat control unit connector and ground.

| Connector | Terminals (Wire color) |        | Condition                                      | Voltage (V) (Approx.) |
|-----------|------------------------|--------|------------------------------------------------|-----------------------|
|           | (+)                    | (-)    |                                                |                       |
| P2        | 15 (L/Y)               | Ground | Pedal adjusting switch ON (BACKWARD operation) | 0                     |
|           |                        |        | Other than above                               | Battery voltage       |
|           | 30 (R)                 |        | Pedal adjusting switch ON (FORWARD operation)  | 0                     |
|           |                        |        | Other than above                               | Battery voltage       |



#### OK or NG

- OK >> Pedal adjusting switch circuit is OK.  
 NG >> GO TO 2.

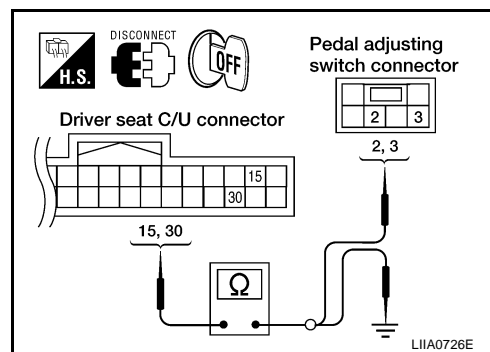
### 2. CHECK PEDAL ADJUSTING SWITCH CIRCUIT HARNESS CONTINUITY

- Disconnect driver seat control unit and pedal adjusting switch.
- Check continuity between driver seat control unit connector P2 terminals 15, 30 and pedal adjusting switch connector M96 terminals 2, 3.

**15 (L/Y) - 2 (L/Y) : Continuity should exist.**  
**30 (R) - 3 (R) : Continuity should exist.**

- Check continuity between driver seat control unit connector P2 terminals 15, 30 and ground.

**15 (L/Y) - Ground : Continuity should not exist.**  
**30 (R) - Ground : Continuity should not exist.**



#### OK or NG

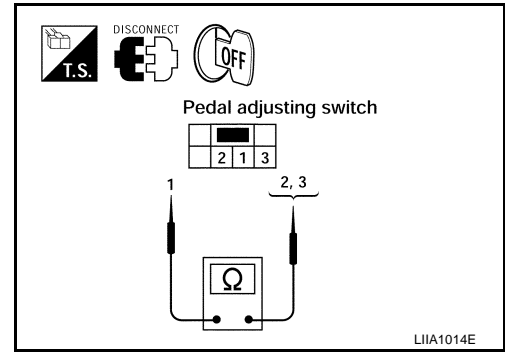
- OK >> GO TO 3.  
 NG >> Repair or replace harness.

# AUTOMATIC DRIVE POSITIONER

## 3. CHECK PEDAL ADJUSTING SWITCH

Check continuity between pedal adjusting switch as follows.

| Connector | Terminals |     | Condition                                      | Continuity |
|-----------|-----------|-----|------------------------------------------------|------------|
|           | (+)       | (-) |                                                |            |
| M96       | 2         | 1   | Pedal adjusting switch ON (BACKWARD operation) | Yes        |
|           |           |     | Other than above                               | No         |
|           | 3         |     | Pedal adjusting switch ON (FORWARD operation)  | Yes        |
|           |           |     | Other than above                               | No         |



OK or NG

OK >> GO TO 4.

NG >> Replace pedal adjusting switch.

## 4. CHECK PEDAL ADJUSTING SWITCH GROUND CIRCUIT

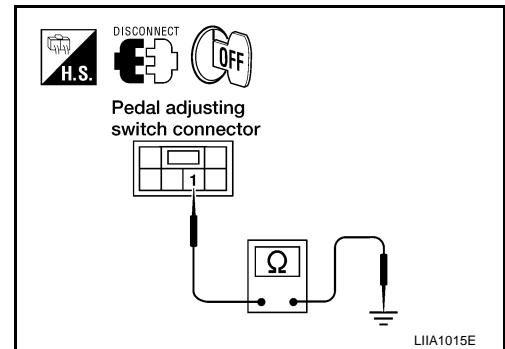
Check continuity between pedal adjusting switch connector M96 terminal 4 and ground.

**1 (B) - Ground : Continuity should exist.**

OK or NG

OK >> Check the condition of the harness and connector.

NG >> Replace or replace harness.



# AUTOMATIC DRIVE POSITIONER

## Door Mirror Remote Control Switch (Changeover Switch) Circuit Check

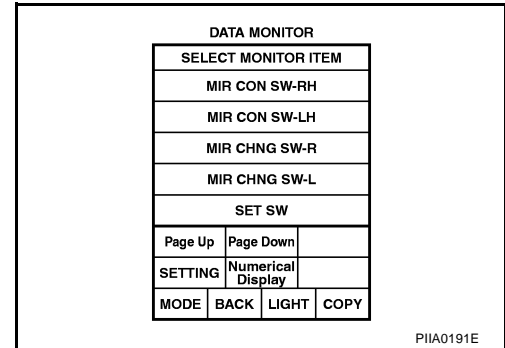
EIS004PA

### 1. CHECK DOOR MIRROR REMOTE CONTROL SWITCH (CHANGEOVER SWITCH) SIGNAL

**With CONSULT-II**

Check the operation on "MIR CHNG SW – R" or "MIR CHNG SW–L" in the DATA MONITOR.

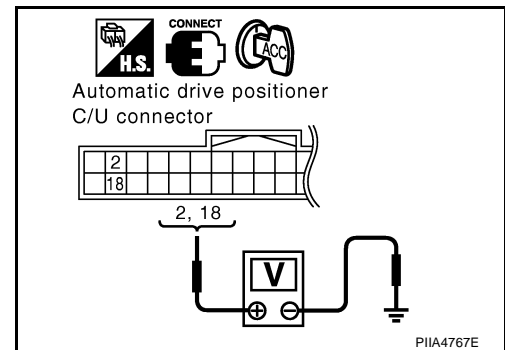
| Monitor item [OPERATION or UNIT] |          | Contents                                                                                  |
|----------------------------------|----------|-------------------------------------------------------------------------------------------|
| MIR CHNG S W-R                   | "ON/OFF" | ON/OFF status judged from the changeover switch (switching to RIGHT) signal is displayed. |
| MIR CHNG S W-L                   | "ON/OFF" | ON/OFF status judged from the changeover switch (switching to LEFT) signal is displayed.  |



**Without CONSULT-II**

- Turn ignition switch to ACC.
- Check voltage between automatic drive positioner control unit connector and ground.

| Connector | Terminals (Wire color) |        | Condition                        | Voltage (V) (Approx.) |
|-----------|------------------------|--------|----------------------------------|-----------------------|
|           | (+)                    | (-)    |                                  |                       |
| M33       | 2 (LG)                 | Ground | Changeover switch RIGHT position | 0                     |
|           |                        |        | Other than above                 | 5                     |
|           | 18 (BR/W)              |        | Changeover switch LEFT position  | 0                     |
|           |                        |        | Other than above                 | 5                     |



**OK or NG**

- OK >> Door mirror remote control switch (changeover switch) is OK.
- NG >> GO TO 2.

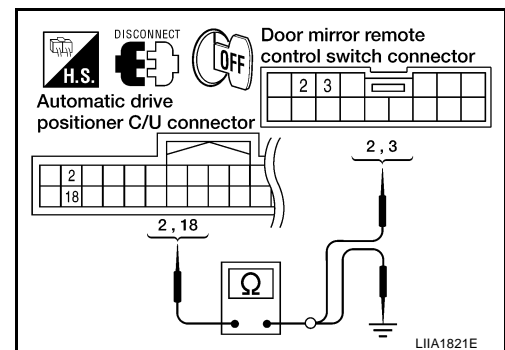
### 2. CHECK DOOR MIRROR SWITCH CIRCUIT HARNESS CONTINUITY

- Turn ignition switch OFF.
- Disconnect automatic drive positioner control unit and door mirror remote control switch.
- Check continuity between automatic drive positioner control unit connector M33 terminals 2, 18 and door mirror remote control switch connector D10 terminals 2, 3.

**2 (LG) - 3 (LG) : Continuity should exist.**  
**18 (BR/W) - 2 (BR/W) : Continuity should exist.**

- Check continuity between automatic drive positioner control unit connector M33 terminals 2, 18 and ground.

**2 (LG) - Ground : Continuity should not exist.**  
**18 (BR/W) - Ground : Continuity should not exist.**



**OK or NG**

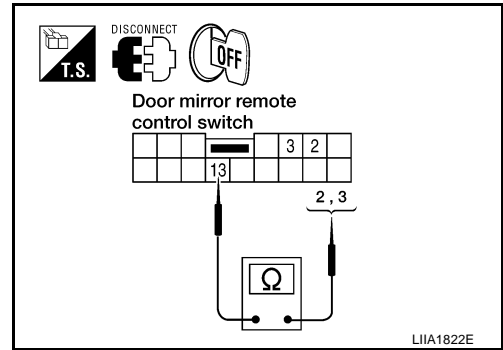
- OK >> GO TO 3.
- NG >> Repair or replace harness.

# AUTOMATIC DRIVE POSITIONER

## 3. CHECK DOOR MIRROR REMOTE CONTROL SWITCH (CHANGEOVER SWITCH)

Check continuity between door mirror remote control switch as follows.

| Connector | Terminals |     | Condition                        | Continuity |
|-----------|-----------|-----|----------------------------------|------------|
|           | (+)       | (-) |                                  |            |
| D10       | 3         | 13  | Changeover switch RIGHT position | Yes        |
|           |           |     | Other than above                 | No         |
|           | 2         |     | Changeover switch LEFT position  | Yes        |
|           |           |     | Other than above                 | No         |



OK or NG

- OK >> Check the condition of the harness and the connector.
- NG >> Replace door mirror remote control switch.

## Door Mirror Remote Control Switch (Mirror Switch) Circuit Check

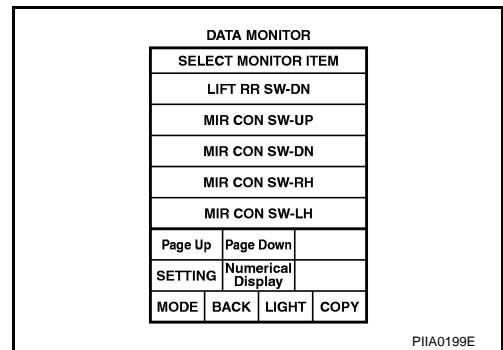
EIS004PB

### 1. CHECK DOOR MIRROR REMOTE CONTROL SWITCH (MIRROR SWITCH) SIGNAL

#### With CONSULT-II

Check the operation on "MIR CON SW-UP/DN" and "MIR CON SW-RH/LH" in the DATA MONITOR.

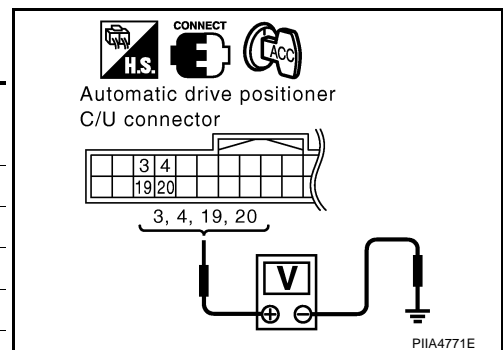
| Monitor item [OPERATION or UNIT] |          | Contents                                                                 |
|----------------------------------|----------|--------------------------------------------------------------------------|
| MIR CON SW -UP                   | "ON/OFF" | ON/OFF status judged from the mirror switch (UP) signal is displayed.    |
| MIR CON SW -DN                   | "ON/OFF" | ON/OFF status judged from the mirror switch (DOWN) signal is displayed.  |
| MIR CON SW -RH                   | "ON/OFF" | ON/OFF status judged from the mirror switch (RIGHT) signal is displayed. |
| MIR CON SW -LH                   | "ON/OFF" | ON/OFF status judged from the mirror switch (LEFT) signal is displayed.  |



#### Without CONSULT-II

1. Turn ignition switch to ACC.
2. Check voltage between automatic drive positioner control unit connector and ground.

| Connector | Terminals (Wire color) |        | Condition                     | Voltage (V) (Approx.) |
|-----------|------------------------|--------|-------------------------------|-----------------------|
|           | (+)                    | (-)    |                               |                       |
| M33       | 3 (Y/B)                | Ground | Mirror switch UP operation    | 0                     |
|           |                        |        | Other than above              | 5                     |
|           | 4 (V/W)                |        | Mirror switch LEFT operation  | 0                     |
|           |                        |        | Other than above              | 5                     |
|           | 19 (SB)                |        | Mirror switch DOWN operation  | 0                     |
|           |                        |        | Other than above              | 5                     |
|           | 20 (GR)                |        | Mirror switch RIGHT operation | 0                     |
|           |                        |        | Other than above              | 5                     |



OK or NG

- OK >> Door mirror remote control switch (mirror switch) circuit is OK.
- NG >> GO TO 2.

# AUTOMATIC DRIVE POSITIONER

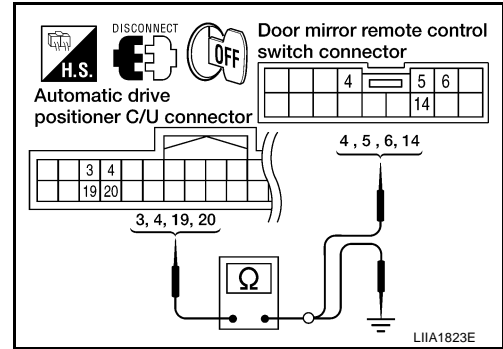
## 2. CHECK HARNESS CONTINUITY

1. Turn ignition switch OFF.
2. Disconnect automatic drive positioner control unit and door mirror remote control switch.
3. Check continuity between automatic drive positioner control unit connector M33 terminals 3, 4, 19, 20 and door mirror remote control switch connector D10 terminals 4, 5, 6, 14.

- 3 (Y/B) - 6 (Y/B) : Continuity should exist.**  
**4 (V/W) - 5 (V/W) : Continuity should exist.**  
**19 (SB) - 14 (SB) : Continuity should exist.**  
**20 (GR) - 4 (GR) : Continuity should exist.**

4. Check continuity between automatic drive positioner control unit connector M33 terminals 3, 4, 19, 20 and ground.

- 3 (Y/B) - Ground : Continuity should not exist.**  
**4 (V/W) - Ground : Continuity should not exist.**  
**19 (SB) - Ground : Continuity should not exist.**  
**20 (GR) - Ground : Continuity should not exist.**



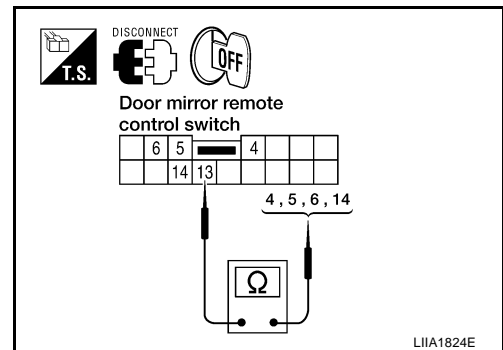
OK or NG

- OK >> GO TO 3.  
 NG >> Repair or replace harness.

## 3. CHECK DOOR MIRROR REMOTE CONTROL SWITCH (MIRROR SWITCH)

Check continuity between door mirror remote control switch as follows.

| Connector | Terminals | Switch condition              | Continuity |
|-----------|-----------|-------------------------------|------------|
| D10       | 4         | Mirror switch RIGHT operation | Yes        |
|           |           | Other than above              | No         |
|           | 5         | Mirror switch LEFT operation  | Yes        |
|           |           | Other than above              | No         |
|           | 6         | Mirror switch UP operation    | Yes        |
|           |           | Other than above              | No         |
|           | 14        | Mirror switch DOWN operation  | Yes        |
|           |           | Other than above              | No         |



OK or NG

- OK >> Check the condition of the harness and connector.  
 NG >> Replace door mirror remote control switch.

## Door Mirror Remote Control Switch Ground Circuit Inspection

EIS004PC

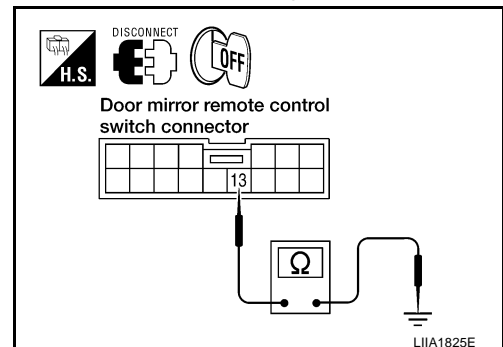
### 1. CHECK DOOR MIRROR REMOTE CONTROL SWITCH GROUND CIRCUIT

Check continuity between door mirror remote control switch connector D10 terminal 13 and ground.

- 13 (B) - Ground : Continuity should exist.**

OK or NG

- OK >> GO TO 2.  
 NG >> Repair or replace harness.



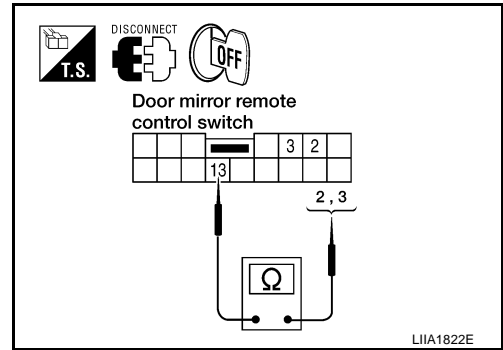


# AUTOMATIC DRIVE POSITIONER

## 2. CHECK DOOR MIRROR REMOTE CONTROL SWITCH (CHANGEOVER SWITCH)

Check continuity between door mirror remote control switch as follows.

| Connector | Terminals |     | Condition                        | Continuity |
|-----------|-----------|-----|----------------------------------|------------|
|           | (+)       | (-) |                                  |            |
| D10       | 3         | 13  | Changeover switch RIGHT position | Yes        |
|           |           |     | Other than above                 | No         |
|           | 2         |     | Changeover switch LEFT position  | Yes        |
|           |           |     | Other than above                 | No         |



OK or NG

- OK >> Check the condition of the harness and the connector.
- NG >> Replace door mirror remote control switch.

## Seat Memory Switch Circuit Inspection

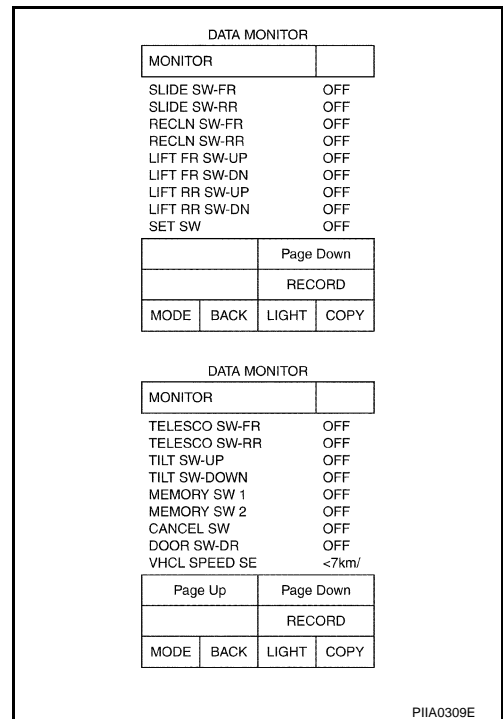
EIS004PD

### 1. CHECK FUNCTION

#### Ⓜ With CONSULT-II

With "SET SW, MEMORY SW1, MEMORY SW2" on the DATA MONITOR, operate the switch to check ON/OFF operation.

| Monitor item [OPERATION or UNIT] |          | Contents                                                                |
|----------------------------------|----------|-------------------------------------------------------------------------|
| MEMORY SW1                       | "ON/OFF" | ON/OFF status judged from the seat memory switch 1 signal is displayed. |
| MEMORY SW2                       | "ON/OFF" | ON/OFF status judged from the seat memory switch 2 signal is displayed. |
| SET SW                           | "ON/OFF" | ON/OFF status judged from the setting switch signal is displayed.       |



#### ⊗ Without CONSULT-II

GO TO 2.

OK or NG

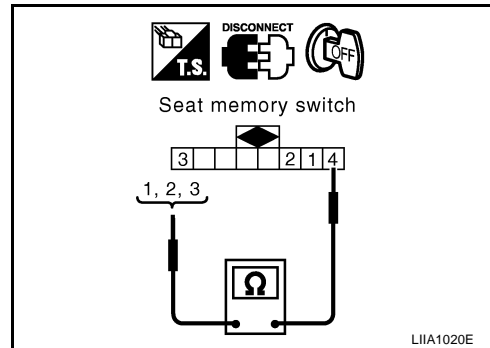
- OK >> Seat memory switch circuit is OK.
- NG >> GO TO 2.

# AUTOMATIC DRIVE POSITIONER

## 2. CHECK SEAT MEMORY SWITCH

1. Turn ignition switch OFF.
2. Disconnect seat memory switch.
3. Operate the setting switch and seat memory switch.
4. Check continuity between seat memory switch as follows.

| Con-<br>nector | Terminal |     | Condition            | Continuity |
|----------------|----------|-----|----------------------|------------|
|                | (+)      | (-) |                      |            |
| D5             | 1        | 4   | Memory switch 1 ON   | Yes        |
|                |          |     | Memory switch 1: OFF | No         |
|                | 2        |     | Memory switch 2: ON  | Yes        |
|                |          |     | Memory switch 2: OFF | No         |
|                | 3        |     | Set switch: ON       | Yes        |
|                |          |     | Set switch: OFF      | No         |



OK or NG

- OK >> GO TO 3.  
 NG >> Replace seat memory switch.

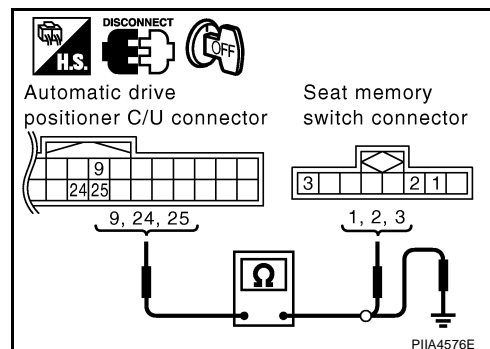
## 3. CHECK HARNESS CONTINUITY

1. Disconnect automatic drive positioner control unit.
2. Check continuity between automatic drive positioner control unit connector M33 terminals 9, 24, 25 and seat memory switch connector D5 terminals 1, 2, 3.

- 9 (LG/B) - 1 (LG/B) : Continuity should exist.**  
**24 (G/O) - 3 (G/O) : Continuity should exist.**  
**25 (P/L) - 2 (P/L) : Continuity should exist.**

3. Check continuity between automatic drive positioner control unit connector M41 terminals 9, 24, 25 and ground.

- 9 (LG/B) - Ground : Continuity should not exist.**  
**24 (G/O) - Ground : Continuity should not exist.**  
**25 (P/L) - Ground : Continuity should not exist.**



OK or NG

- OK >> GO TO 4.  
 NG >> Repair or replace harness.

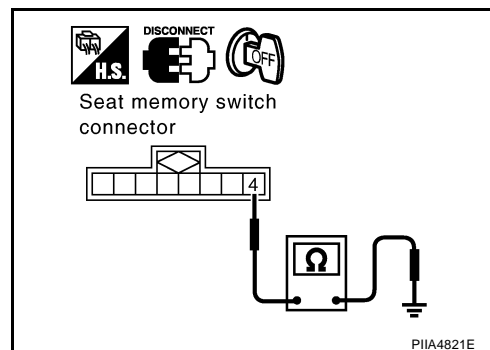
## 4. CHECK SEAT MEMORY SWITCH GROUND CIRCUIT

Check continuity between seat memory switch D5 terminal 4 and ground.

- 4 (B) - Ground : Continuity should exist.**

OK or NG

- OK >> Replace automatic drive positioner control unit.  
 NG >> Repair or replace harness.



# AUTOMATIC DRIVE POSITIONER

EIS004PE

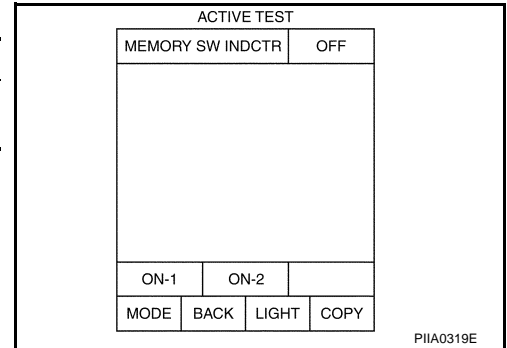
## Seat Memory Indicator Lamp Circuit Inspection

### 1. CHECK FUNCTION

**With CONSULT-II**

With "MEMORY SW INDCTR" in ACTIVE TEST, check operation.

| Test item        | Description                                                       |
|------------------|-------------------------------------------------------------------|
| MEMORY SW INDCTR | The memory switch indicator is lit by receiving the drive signal. |



**Without CONSULT-II**

GO TO 2.

OK or NG

- OK >> Seat memory switch indicator lamp circuit is OK.
- NG >> GO TO 2.

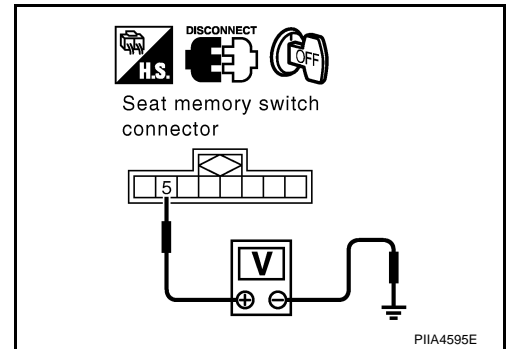
### 2. CHECK SEAT MEMORY SWITCH POWER SUPPLY CIRCUIT

1. Turn ignition switch OFF.
2. Disconnect seat memory switch.
3. Check voltage between seat memory switch connector D5 terminal 5 and ground.

**5 (Y/R) - Ground : Battery voltage**

OK or NG

- OK >> GO TO 3.
- NG >> Repair or replace harness.



### 3. CHECK SEAT MEMORY INDICATOR CIRCUIT HARNESS CONTINUITY

1. Turn ignition switch OFF.
2. Disconnect automatic drive positioner control unit.
3. Check continuity between automatic drive positioner control unit connector M33 terminals 12, 13 and seat memory switch connector D5 terminals 6, 7.

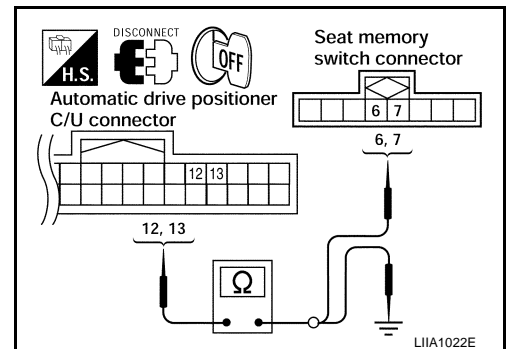
**12 (P) - 6 (P) : Continuity should exist.**

**13 (Y/G) - 7 (Y/G) : Continuity should exist.**

4. Check continuity between automatic drive positioner control unit connector M33 terminals 12, 13 and ground.

**12 (P) - Ground : Continuity should not exist.**

**13 (Y/G) - Ground : Continuity should not exist.**



OK or NG

- OK >> GO TO 4.
- NG >> Repair or replace harness.

# AUTOMATIC DRIVE POSITIONER

## 4. CHECK SEAT MEMORY SWITCH INDICATOR SIGNAL

1. Connect seat memory switch.
2. Turn ignition switch ON.
3. Check voltage between automatic drive positioner control unit connector M33 terminals 12, 13 and ground.

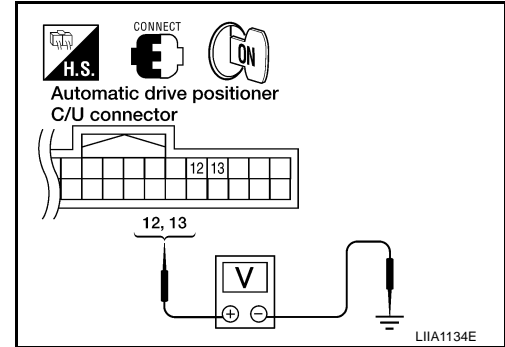
**12 (P) - Ground : Battery voltage**

**13 (Y/G) - Ground : Battery voltage**

OK or NG

OK >> Replace automatic drive positioner control unit.

NG >> Replace seat memory switch.



## Door Mirror Sensor Power Supply and Ground Circuit inspection

EIS004PF

### 1. CHECK DOOR MIRROR SENSOR CIRCUIT HARNESS CONTINUITY

1. Disconnect automatic drive positioner control unit and door mirror (LH and RH).
2. Check continuity between automatic drive positioner control unit connector M34 terminal 33, 41 and door mirror connector D4 (LH), D107 (RH) terminal 5, 6.

**33 (W/L) - 5 (W/L) : Continuity should exist.**

**41 (W/G) - 6 (W/G) : Continuity should exist.**

3. Check continuity between automatic drive positioner control unit connector M34 terminal 33, 41 and ground.

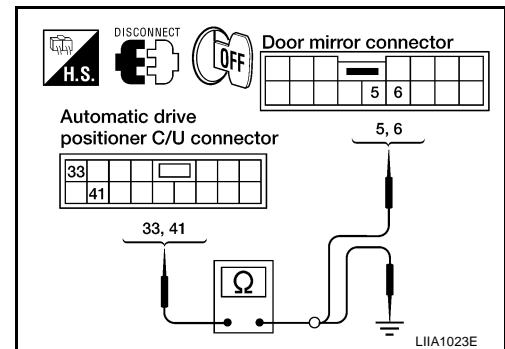
**33 (W/L) - Ground : Continuity should not exist.**

**41 (W/G) - Ground : Continuity should not exist.**

OK or NG

OK >> GO TO 2.

NG >> Repair or replace harness.



### 2. CHECK MIRROR SENSOR POWER SUPPLY

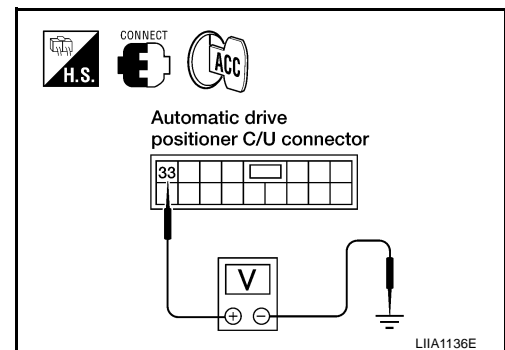
1. Connect automatic drive positioner control unit and door mirror LH.
2. Turn ignition switch to ACC.
3. Check voltage between automatic drive positioner control unit connector M34 terminal 33 and ground.

**33 (W/L) - Ground : Approx. 5V**

OK or NG

OK >> GO TO 3.

NG >> Replace automatic drive positioner control unit.



# AUTOMATIC DRIVE POSITIONER

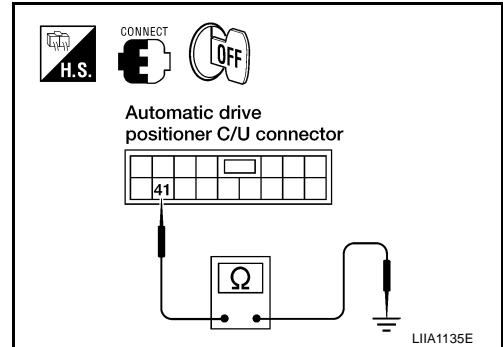
## 3. CHECK MIRROR SENSOR GROUND CIRCUIT

1. Turn ignition switch OFF.
2. Check continuity between automatic drive positioner control unit connector M34 terminal 41 and ground.

**41 (W/G) - Ground : Continuity should exist.**

OK or NG

- OK >> Check the condition of the harness and connector.  
 NG >> Replace automatic drive positioner control unit.



EIS004PG

## A/T Device (Detent Switch) Circuit Inspection

### 1. CHECK FUNCTION

#### With CONSULT-II

Check that when the A/T shift lever is in P position, “DETENT SW” on the DATA MONITOR becomes OFF.

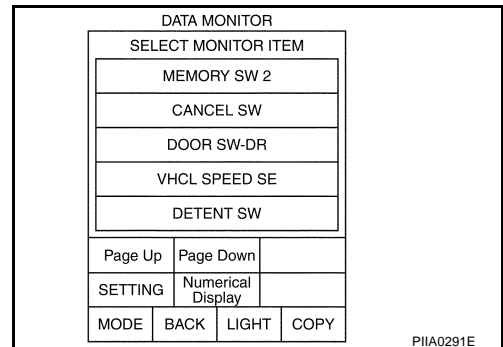
| Monitor item<br>[OPERATION or UNIT] | Contents                                                                                                                   |
|-------------------------------------|----------------------------------------------------------------------------------------------------------------------------|
| DETENT SW                           | The selector lever position “P position (OFF)/other than P position (ON)” judged from the park switch signal is displayed. |

#### Without CONSULT-II

GO TO 2.

OK or NG

- OK >> A/T device (detent switch) circuit is OK.  
 NG >> GO TO 2.



PIIA0291E

### 2. CHECK A/T DEVICE (DETENT SWITCH) HARNESS

1. Turn ignition switch OFF.
2. Disconnect A/T device and driver seat control unit.
3. Check continuity between A/T device connector M203 terminal 6 and driver seat control unit connector P2 terminal 21.

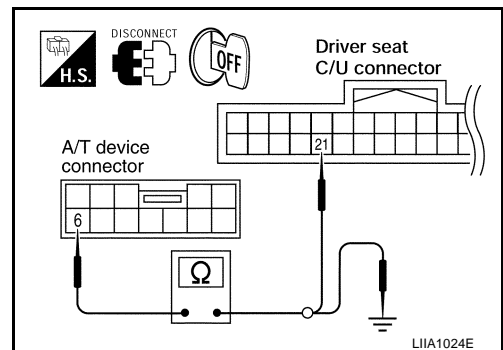
**6 (L/R) – 21 (L/R) : Continuity should exist.**

4. Check continuity between A/T device connector M203 terminal 6 and ground.

**6 (L/R) – Ground : Continuity should not exist.**

OK or NG

- OK >> GO TO 3.  
 NG >> Repair or replace harness.



LIA1024E

# AUTOMATIC DRIVE POSITIONER

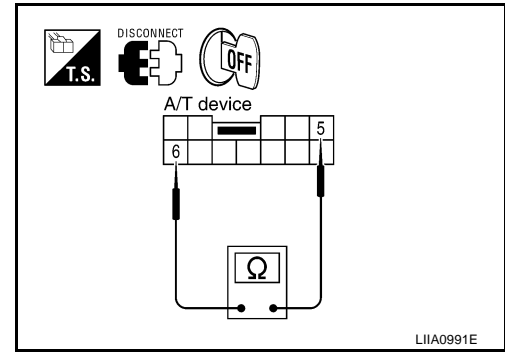
## 3. CHECK DETENTION SWITCH

Check continuity between A/T device (detent switch) as follows.

| Connector | Terminals |     | Condition             | Continuity |
|-----------|-----------|-----|-----------------------|------------|
|           | (+)       | (-) |                       |            |
| M203      | 5         | 6   | P position            | No         |
|           |           |     | Other than P position | Yes        |

OK or NG

- OK >> A/T device is OK.
- NG >> Replace A/T device.



LIA0991E

EIS004PH

## Front Door Switch LH Circuit Inspection

### 1. CHECK FUNCTION

**Ⓜ With CONSULT-II**

Touch "DOOR SW DR" on the DATA MONITOR, check ON/OFF operation when the front door is open and closed.

| Monitor item [OPERATION or UNIT] | Contents                                                                                            |
|----------------------------------|-----------------------------------------------------------------------------------------------------|
| DOOR SW DR*                      | "ON/OFF"<br>Door open (ON)/door closed (OFF) status judged from the front door switch is displayed. |

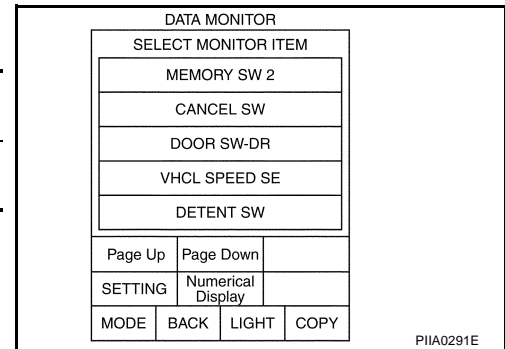
\*:Refer to [SE-40, "DATA MONITOR"](#) .

**ⓧ Without CONSULT-II**

GO TO 2.

OK or NG

- OK >> Front door switch LH circuit is OK.
- NG >> GO TO 2.



PIIA0291E

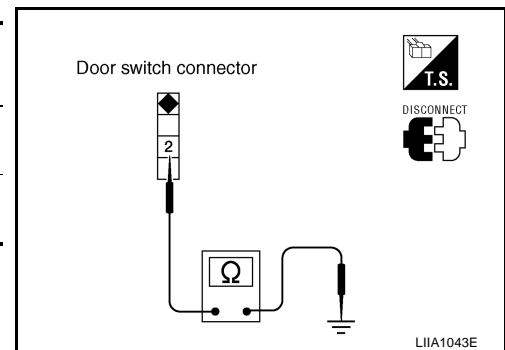
### 2. CHECK FRONT DOOR SWITCH LH

1. Turn ignition switch OFF.
2. Disconnect front door switch.
3. Check continuity between front door switch LH connector part of door switch as follows.

| Connector | Terminals |        | Condition                              | Continuity |
|-----------|-----------|--------|----------------------------------------|------------|
|           | (+)       | (-)    |                                        |            |
| B8        | 2         | Ground | With the front door switch LH pressed  | No         |
|           |           |        | With the front door switch LH released | Yes        |

OK or NG

- OK >> GO TO 3.
- NG >> Replace front door switch LH.



LIA1043E

# AUTOMATIC DRIVE POSITIONER

## 3. CHECK HARNESS CONTINUITY

1. Disconnect BCM.
2. Check continuity between BCM connector M19 terminal 47 and front door switch LH connector B8 terminal 2.

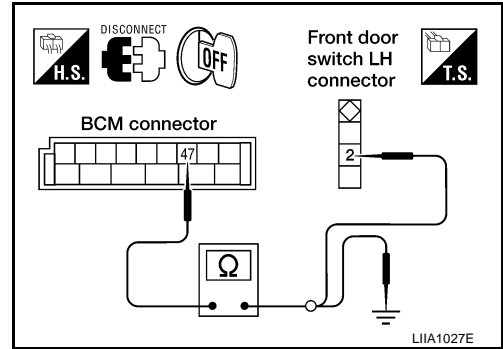
**47 (SB) - 2 (SB) : Continuity should exist.**

3. Check continuity between BCM connector M19 terminal 47 and ground.

**47 (SB) - Ground : Continuity should not exist.**

OK or NG

- OK >> Front door switch LH circuit is OK.
- NG >> Repair or replace harness.



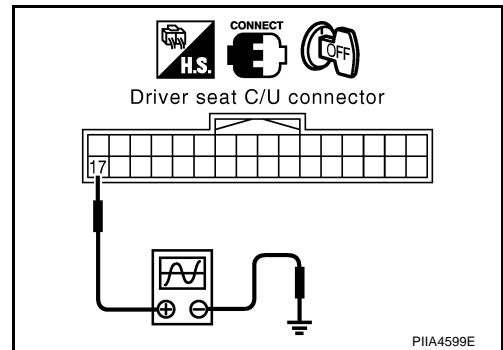
## UART Communication Line Circuit Inspection

EIS004PI

### 1. CHECK UART LINE INPUT/OUTPUT SIGNAL 1

1. Turn ignition switch OFF.
2. Check signal between driver seat control unit connector and ground, with oscilloscope.

| Connector | Terminals<br>(Wire color) |        | Condition                                                 | Signal                                                        |
|-----------|---------------------------|--------|-----------------------------------------------------------|---------------------------------------------------------------|
|           | (+)                       | (-)    |                                                           |                                                               |
| P2        | 17 (W)                    | Ground | Pedal adjusting switch ON (FORWARD or BACKWARD operation) | <p style="text-align: right; font-size: small;">PIIA4814E</p> |



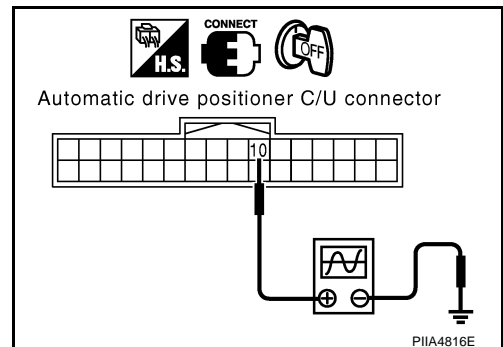
OK or NG

- OK >> GO TO 2.
- NG >> Check the following.
  - When voltage wave form does not appear with a constant voltage (approx. 5V), replace driver seat control unit.
  - When voltage wave form does not appear with a constant voltage (approx. 0V), replace automatic driver seat control unit.

### 2. CHECK UART LINE INPUT/OUTPUT SIGNAL 2

Check signal between automatic drive positioner control unit connector ground, with oscilloscope.

| Connector | Terminals<br>(Wire color) |        | Condition                                                 | Signal                                                        |
|-----------|---------------------------|--------|-----------------------------------------------------------|---------------------------------------------------------------|
|           | (+)                       | (-)    |                                                           |                                                               |
| M33       | 10 (L)                    | Ground | Pedal adjusting switch ON (FORWARD or BACKWARD operation) | <p style="text-align: right; font-size: small;">PIIA4813E</p> |



# AUTOMATIC DRIVE POSITIONER

## OK or NG

OK >> GO TO 3.

NG >> Check the following.

- When voltage wave form does not appear with a constant voltage (approx. 5V), replace automatic drive positioner control unit.
- When voltage wave form does not appear with a constant voltage (approx. 0V), replace driver seat control unit.

## 3. CHECK UART LINE HARNESS

1. Disconnect driver seat control unit and automatic drive positioner control unit.
2. Check continuity between driver seat control unit connector P2 terminals 1, 17, and automatic drive positioner connector M33 terminals 10, 26.

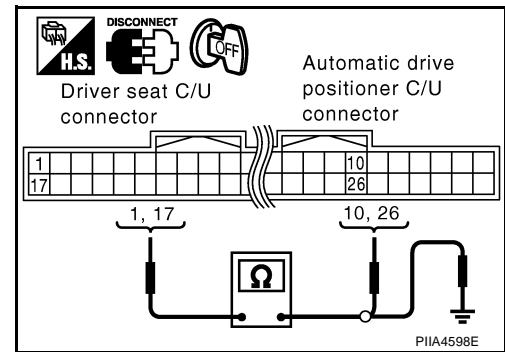
**1 (L) - 10 (L) : Continuity should exist.**

**17 (W) - 26 (W) : Continuity should exist.**

3. Check continuity between driver seat control unit connector P2 terminals 1, 17 and ground.

**1 (L) - Ground : Continuity should not exist.**

**17 (W) - Ground : Continuity should not exist.**



## OK or NG

OK >> GO TO 4.

NG >> Repair or replace harness.

## 4. CHECK DRIVER SEAT CONTROL UNIT

Does the automatic drive positioner operate when the driver seat control unit is exchanged?

## OK or NG

OK >> Replace driver seat control unit.

NG >> Replace automatic drive positioner control unit.



# AUTOMATIC DRIVE POSITIONER

## Removal and Installation

EIS004PJ

Refer to [ACC-2, "ACCELERATOR CONTROL SYSTEM"](#) and [BR-6, "BRAKE PEDAL"](#) .

A

B

C

D

E

F

G

H

**SE**

J

K

L

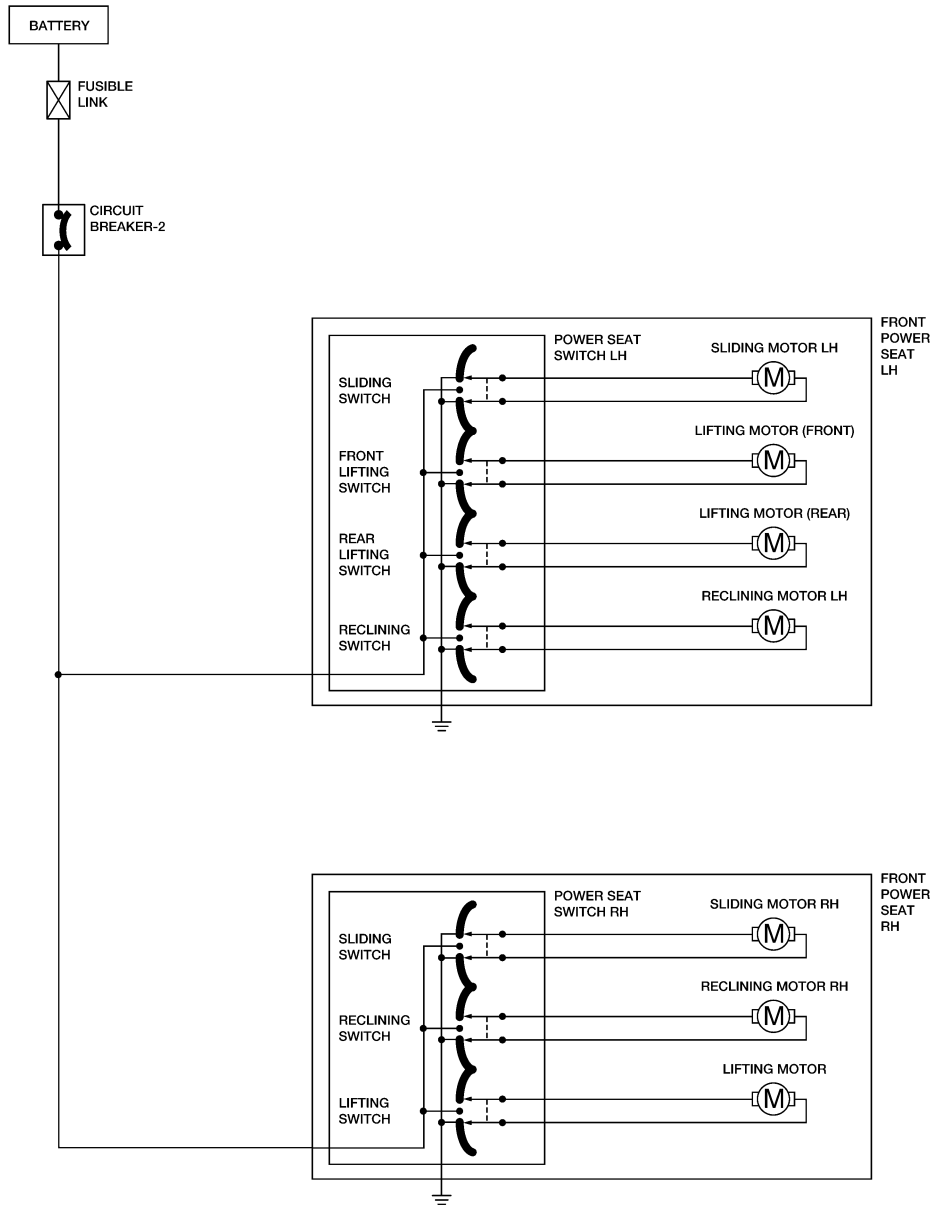
M

# POWER SEAT

## POWER SEAT Schematic

PFP:87016

EIS004PK



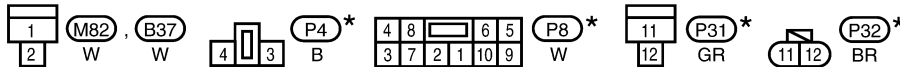
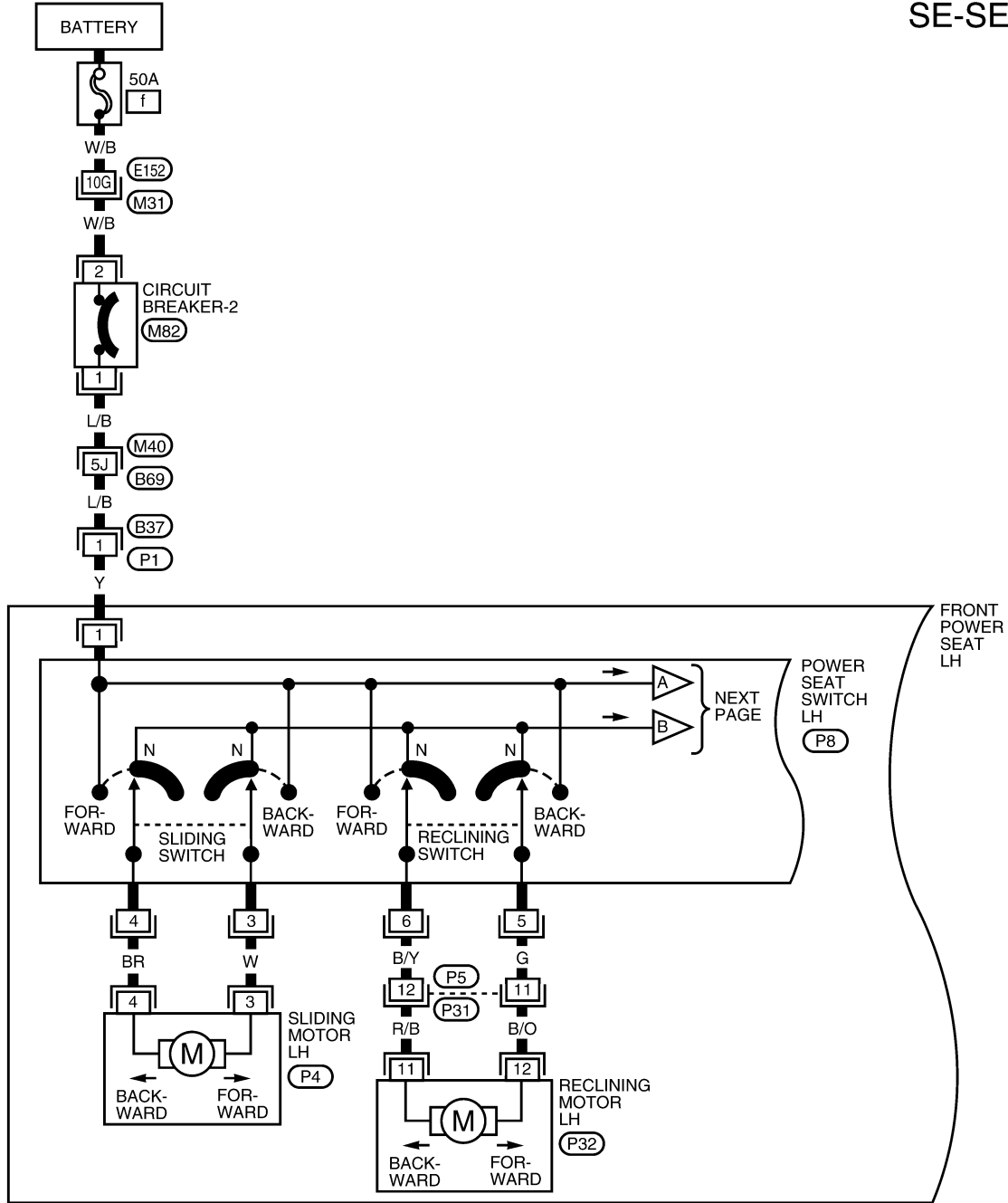
W1WA0596E

# POWER SEAT

## Wiring Diagram – SEAT –

EIS004PL

SE-SEAT-01



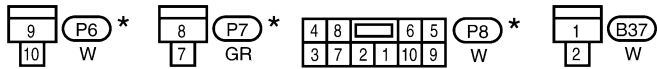
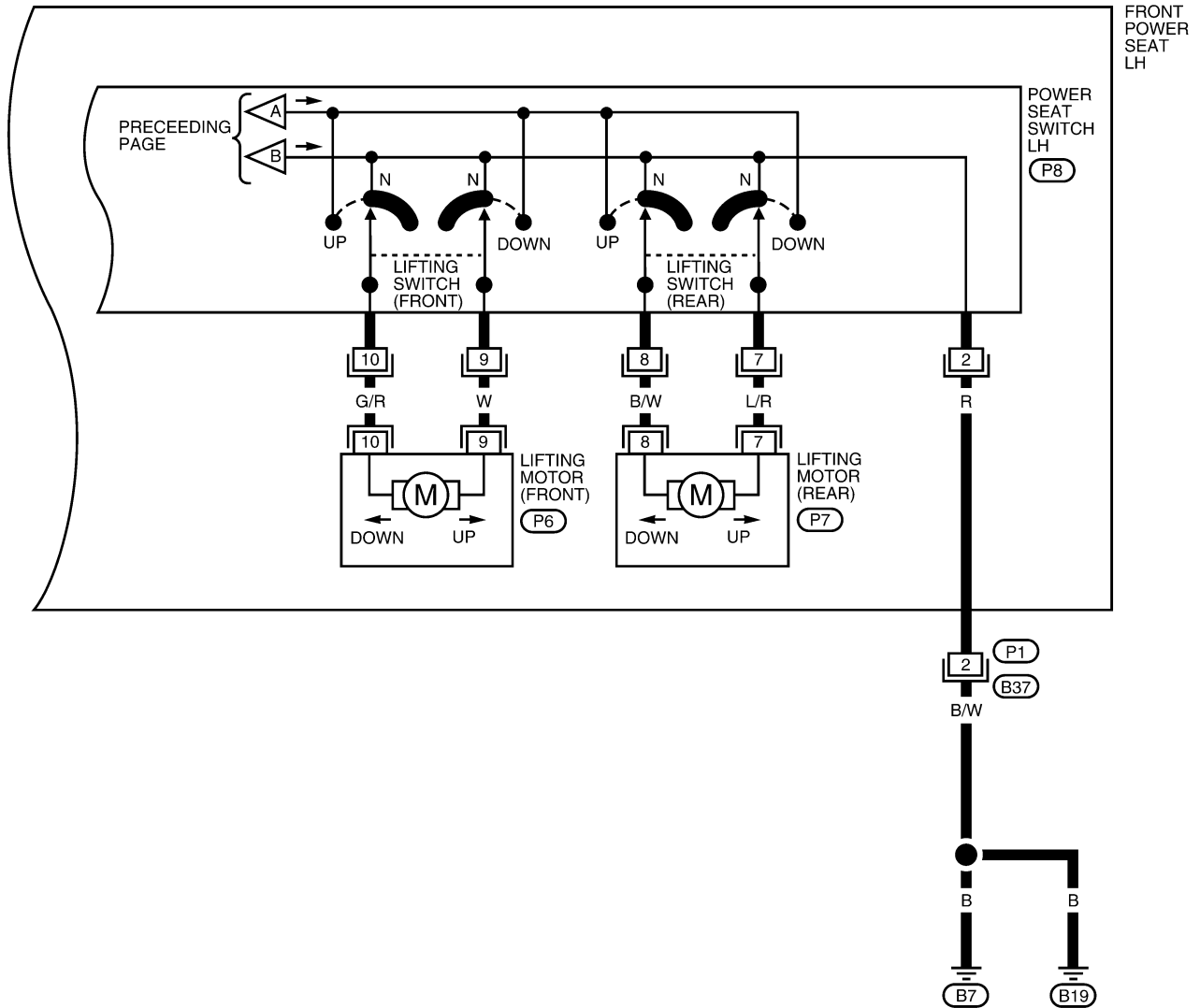
REFER TO THE FOLLOWING.  
 (M31), (M40) - SUPER  
 MULTIPLE JUNCTION (SMJ)

\*: THIS CONNECTOR IS NOT SHOWN IN "HARNESS LAYOUT" OF PG SECTION.

WIWA0597E

# POWER SEAT

SE-SEAT-02

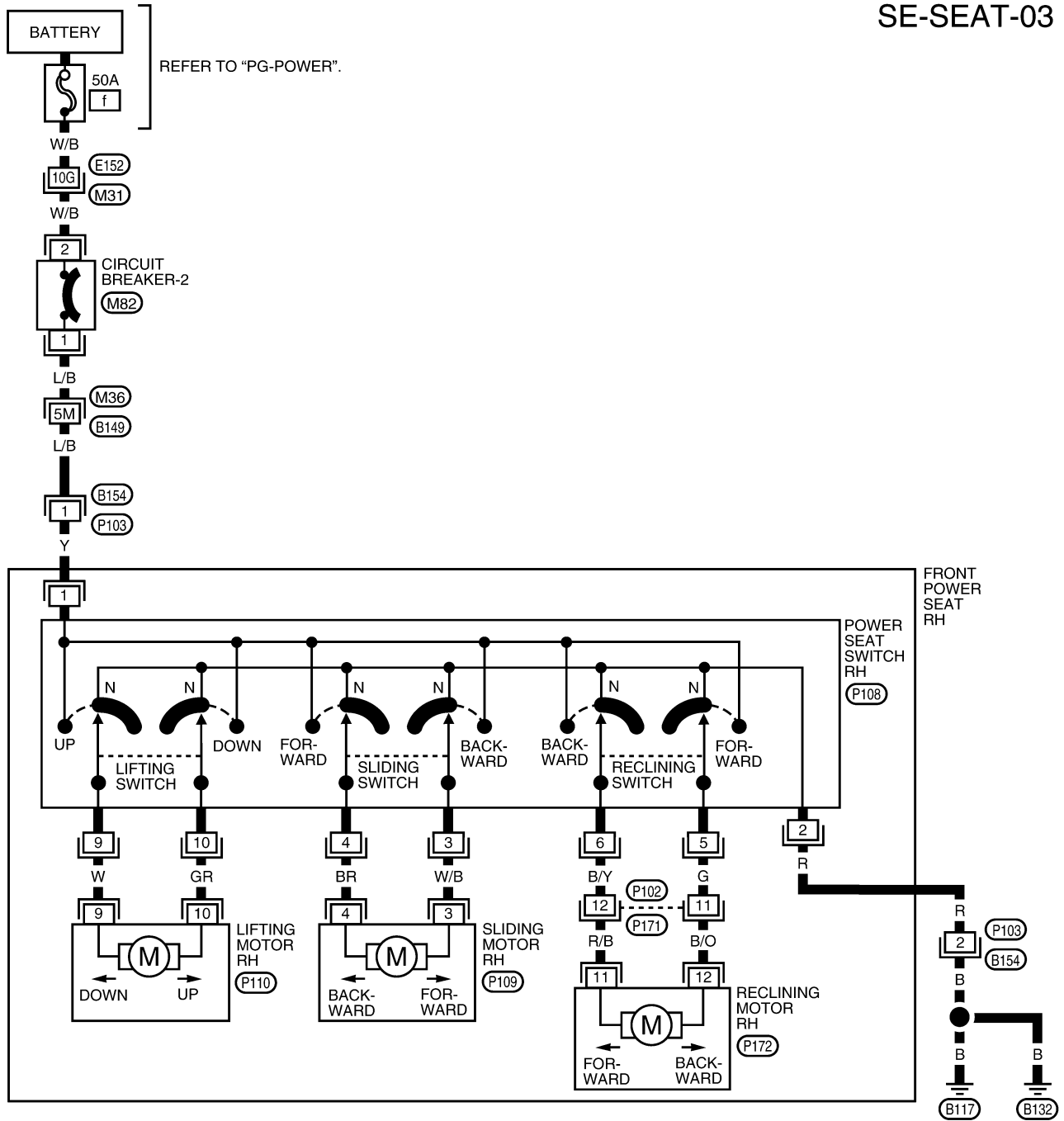


\* : THIS CONNECTOR IS NOT SHOWN IN "HARNESS LAYOUT" OF PG SECTION.

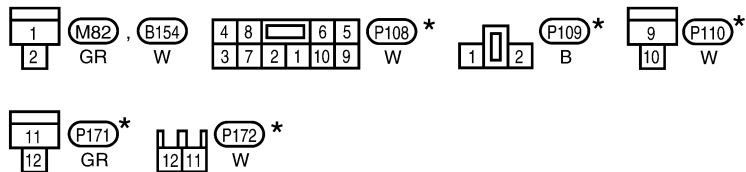
WIWA0598E

# POWER SEAT

SE-SEAT-03



A  
B  
C  
D  
E  
F  
G  
H  
SE  
J  
K  
L  
M



REFER TO THE FOLLOWING.  
 M31, M36 - SUPER  
 MULTIPLE JUNCTION (SMJ)

\*: THIS CONNECTOR IS NOT SHOWN IN "HARNESS LAYOUT" OF PG SECTION.

WIWA0599E

# HEATED SEAT

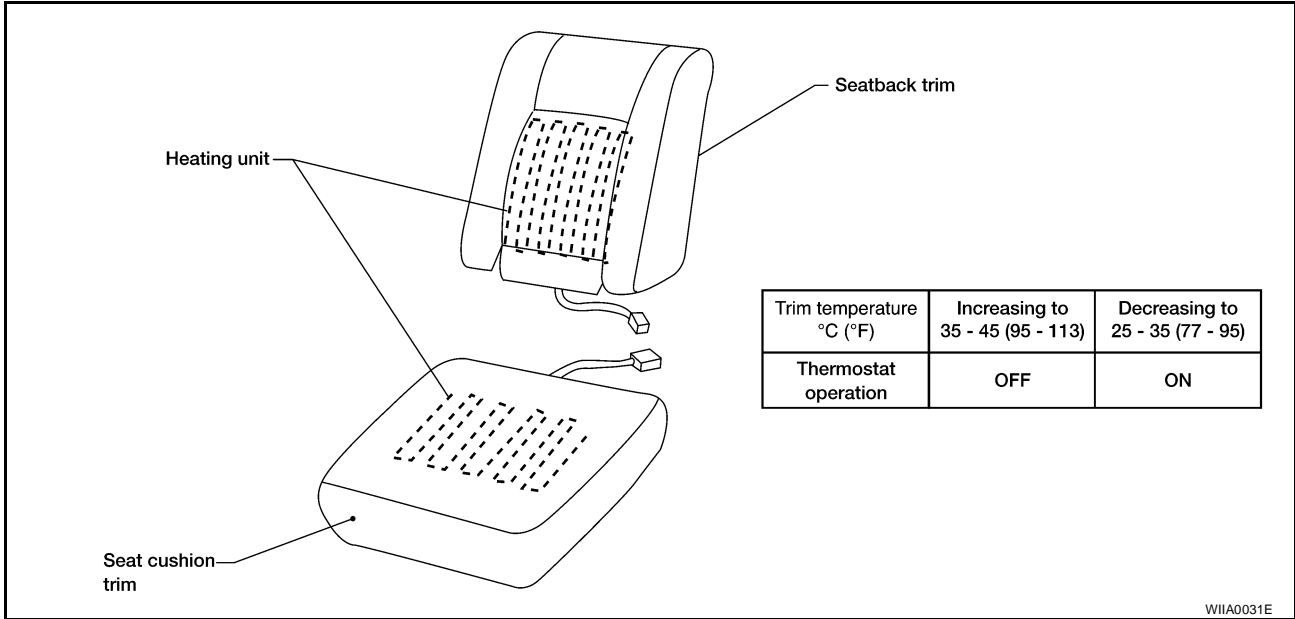
PF8:87335

## HEATED SEAT

EIS004PM

### Description

- When handling seat, be extremely careful not to scratch heating unit.
- To replace heating unit, seat trim and pad should be separated.
- Do not use any organic solvent, such as thinner, benzene, alcohol, etc. to clean trim.



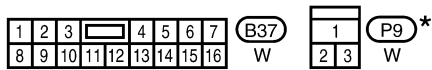
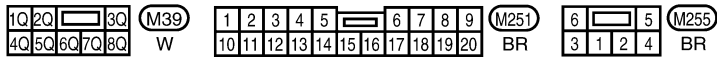
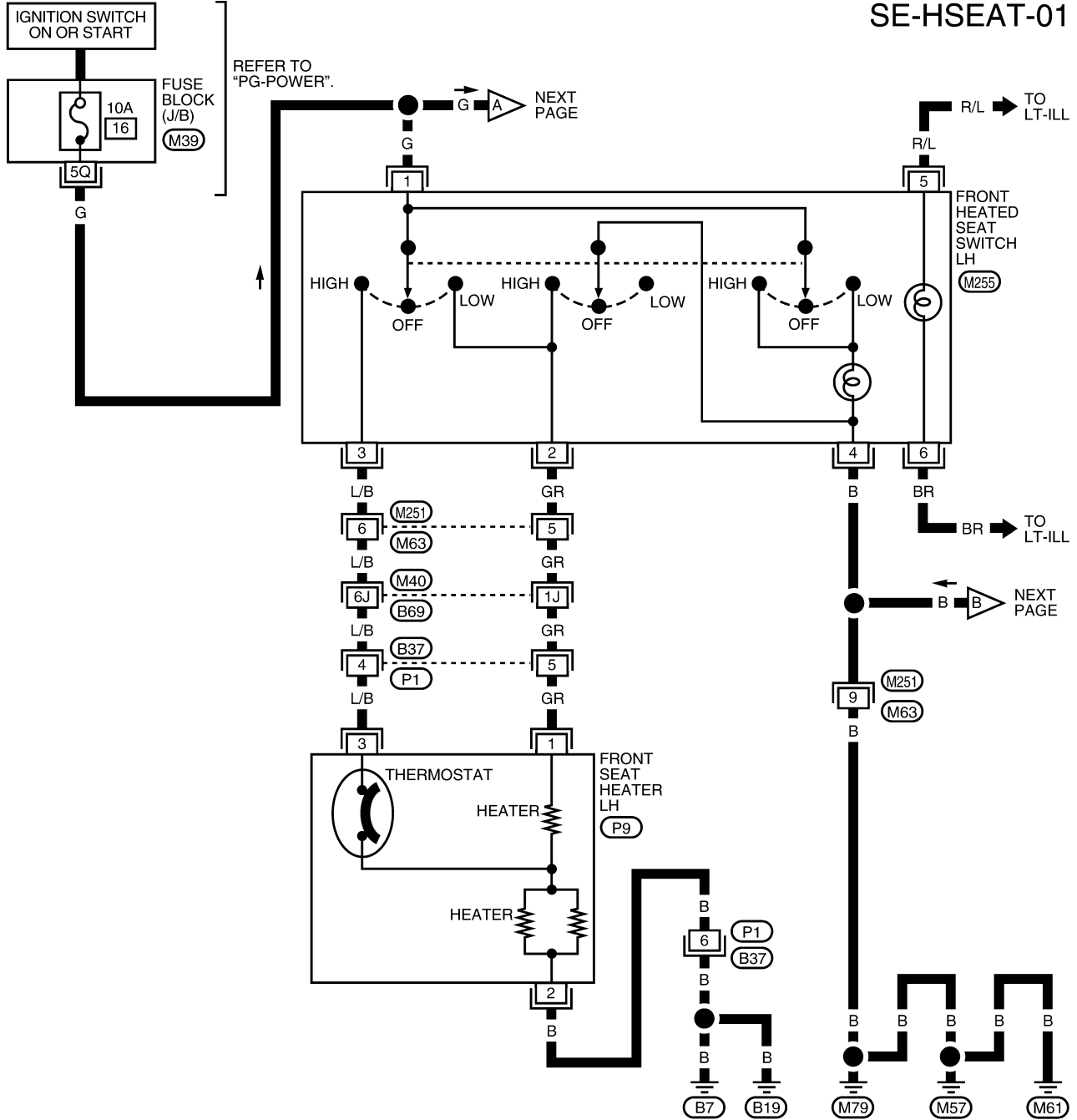
W11A0031E

# HEATED SEAT

## Wiring Diagram – HSEAT –

EIS004PO

SE-HSEAT-01



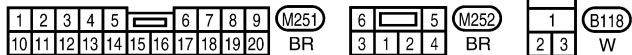
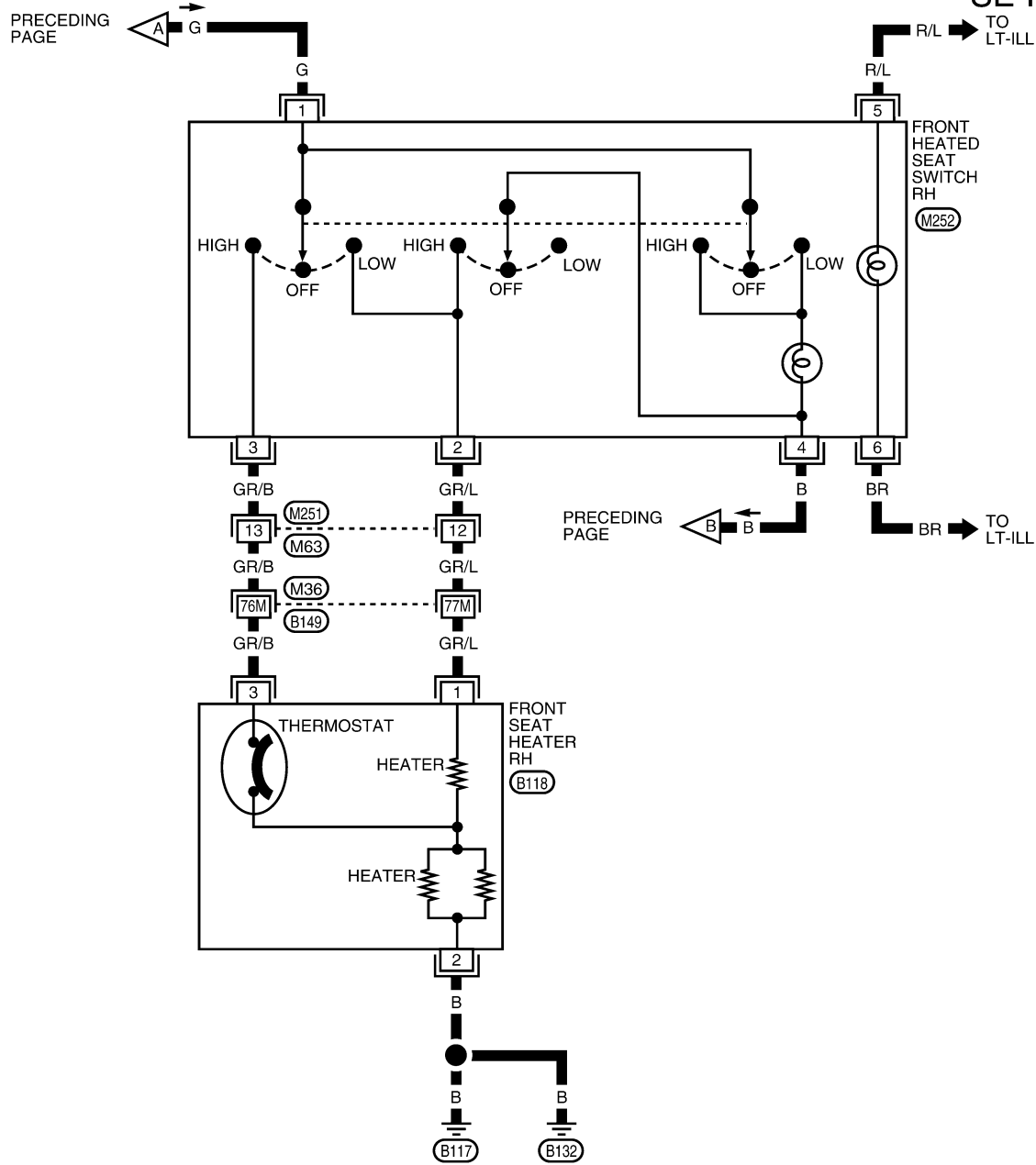
REFER TO THE FOLLOWING.  
 (M40) - SUPER MULTIPLE JUNCTION (SMJ)

\*: THIS CONNECTOR IS NOT SHOWN IN "HARNESS LAYOUT" OF PG SECTION.

WIWA0600E

# HEATED SEAT

SE-HSEAT-02



REFER TO THE FOLLOWING.  
 (M36) - SUPER MULTIPLE  
 JUNCTION (SMJ)

WIWA0601E



# FRONT SEAT

PFP:87000

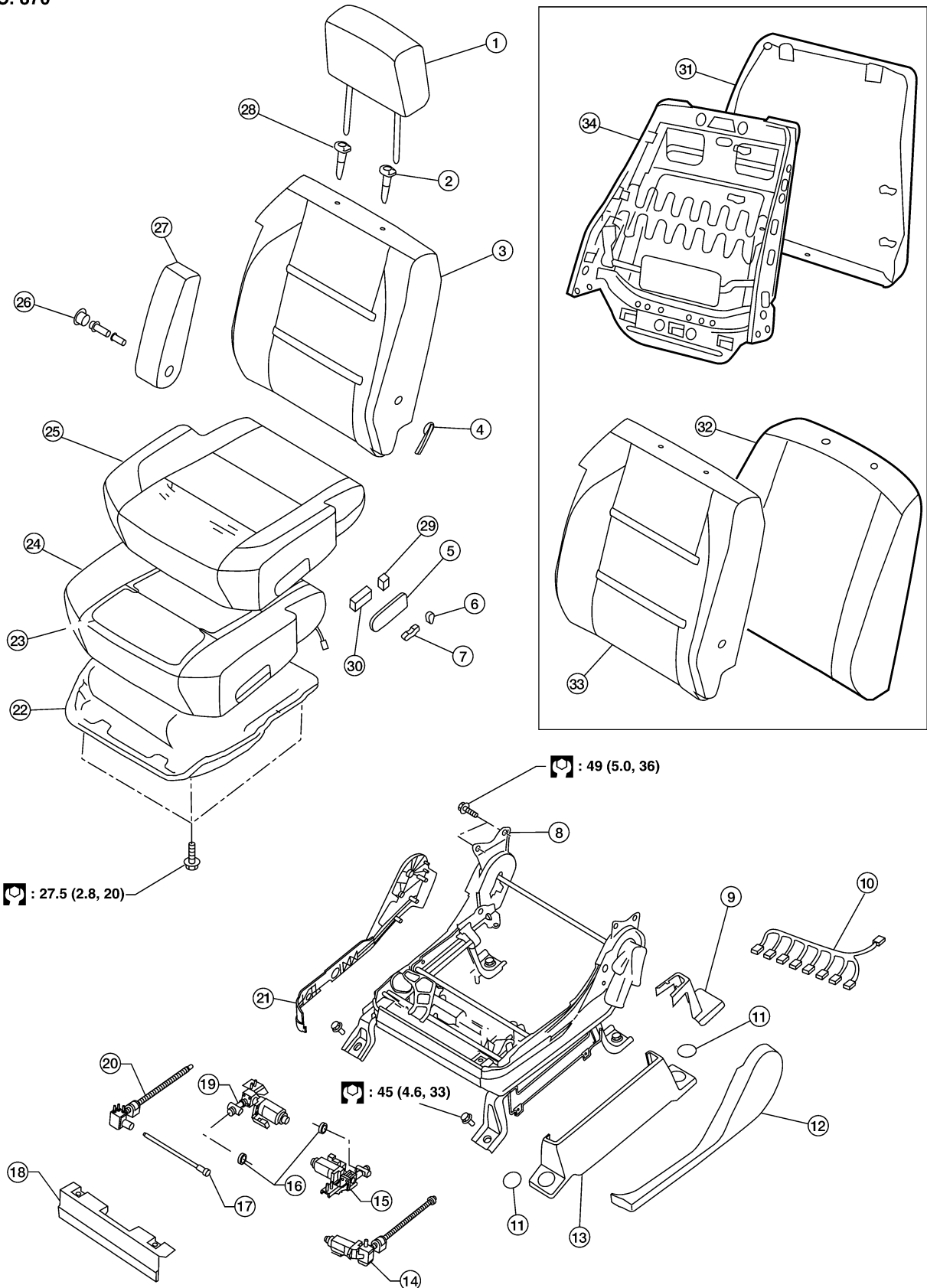
EIS004PP

## FRONT SEAT

### Removal and Installation

#### Driver Seat

SEC. 870



A  
B  
C  
D  
E  
F  
G  
H  
SE  
J  
K  
L  
M

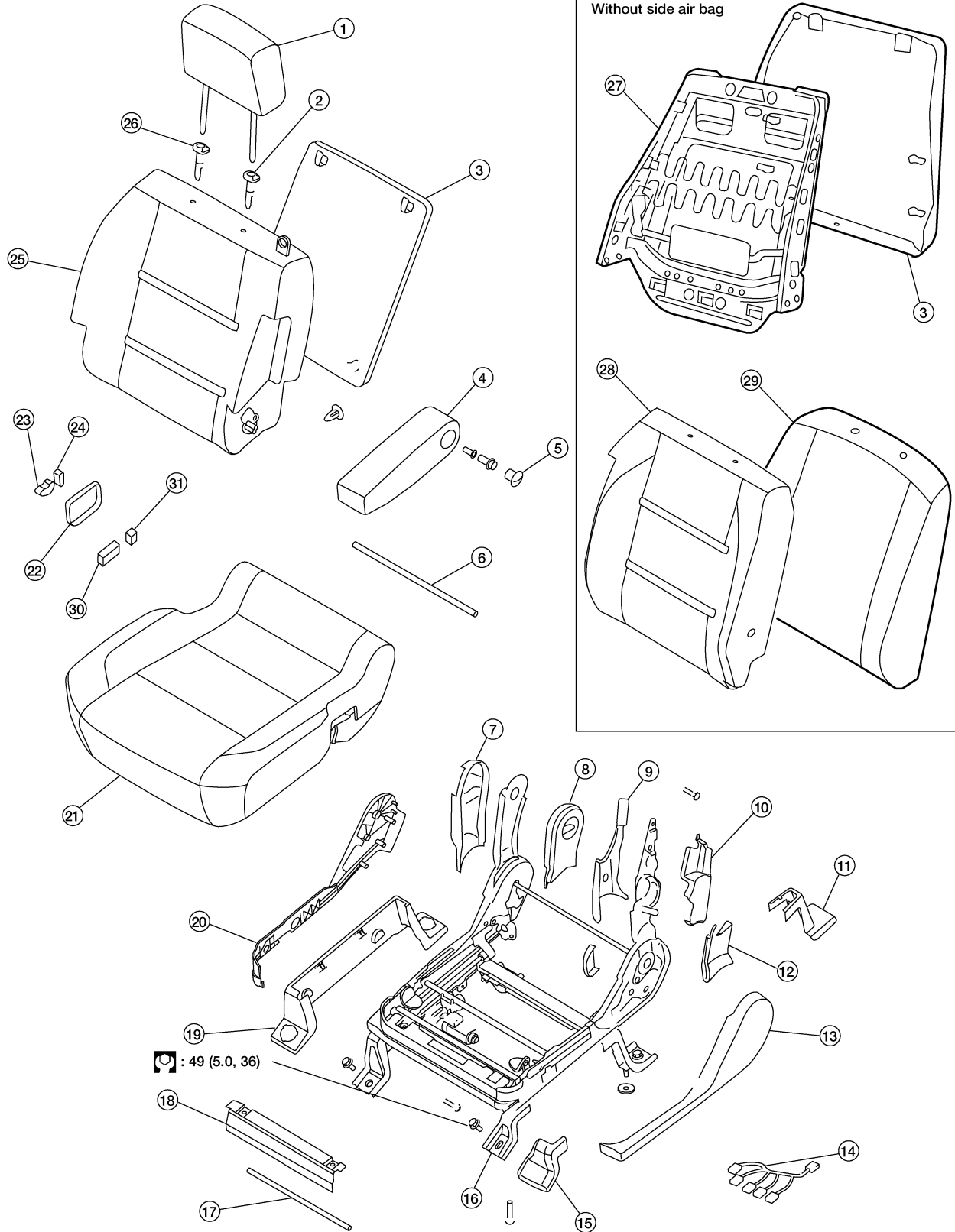
## FRONT SEAT

---

- |                                           |                                             |                                                |
|-------------------------------------------|---------------------------------------------|------------------------------------------------|
| 1. Headrest                               | 2. Headrest holder with multi position lock | 3. Seatback assembly (with side air bag)       |
| 4. Lumbar support lever                   | 5. Power seat switch escutcheon             | 6. Recliner switch knob                        |
| 7. Slide switch knob                      | 8. Driver power seat frame assembly         | 9. LH outer leg cover                          |
| 10. Driver seat wiring harness            | 11. Bolt cover                              | 12. Seat cushion outer finisher                |
| 13. Outer pedestal finisher               | 14. Slide motor                             | 15. Rear lifter motor                          |
| 16. Bushing                               | 17. Drive cable                             | 18. Seat cushion front finisher                |
| 19. Front lifter motor                    | 20. Slide gear                              | 21. Seat cushion inner finisher                |
| 22. Seat cushion frame                    | 23. Seat cushion heating element            | 24. Seat cushion pad                           |
| 25. Seat cushion trim cover               | 26. Armrest bolt cover                      | 27. Armrest assembly                           |
| 28. Headrest holder                       | 29. Recliner switch                         | 30. Seat slide switch                          |
| 31. Seatback board (without side air bag) | 32. Seatback pad (without side air bag)     | 33. Seatback trim cover (without side air bag) |
| 34. Seatback frame (without side air bag) |                                             |                                                |

# FRONT SEAT

## Passenger Seat



A  
B  
C  
D  
E  
F  
G  
H  
SE  
J  
K  
L  
M

1. Headrest

2. Headrest holder with multi position lock

3. Seatback board lock

4. Armrest assembly

5. Armrest bolt cover

6. Fold flat link bar

W11A0475E

## FRONT SEAT

- 
- |                                       |                                       |                                        |
|---------------------------------------|---------------------------------------|----------------------------------------|
| 7. Outboard reclining arm outer cover | 8. Outboard reclining arm inner cover | 9. Inboard reclining arm inner cover   |
| 10. Latch cover                       | 11. LH outer leg cover                | 12. Outboard reclining arm inner cover |
| 13. Seat cushion inner cover          | 14. Passenger seat wiring harness     | 15. Inner front leg cover              |
| 16. Power seat frame assembly         | 17. NVH assembly                      | 18. Seat cushion front finisher        |
| 19. Outer pedestal finisher           | 20. Seat cushion outer finisher       | 21. Seat cushion assembly              |
| 22. Power seat switch escutcheon      | 23. Slide switch knob                 | 24. Recliner switch knob               |
| 25. Seatback assembly                 | 26. Headrest holder                   | 27. Seatback frame                     |
| 28. Seatback trim cover               | 29. Seatback pad                      | 30. Recliner switch                    |
| 31. Seat slide switch                 |                                       |                                        |

### REMOVAL

When removing or installing the seat trim, handle it carefully to keep dirt out and avoid damage.

#### CAUTION:

- Before removing the front seat, turn the ignition switch off, disconnect both battery cables and wait at least 3 minutes.
- When checking the power seat circuit for continuity using a circuit tester, do not confuse its connector with the side air bag module connector. Such an error may cause the air bag to deploy.
- Do not drop, tilt, or bump the side air bag module while installing the seat. Always handle it with care.
- After front side air bag module inflates, front seatback assembly must be replaced.
- Front passenger seat is equipped with an Occupant Classification System sensor and control module. Do not disassemble front passenger seat cushion assembly or remove the trim as this will affect the Occupant Classification System calibration.
- Always replace passenger seat cushion as an assembly.

1. Slide the seat until the four body mounting bolts are visible and a tool can be inserted.

#### NOTE:

- If disassembling the seat after removal, set the front/rear cushion lifters to the top position.
2. Disconnect both battery cables and wait at least 3 minutes.
  3. Disconnect the side air bag module harness connector.
  4. Remove the four body mounting bolts.
  5. Disconnect the power seat harness connectors and remove the seat from the vehicle.

#### NOTE:

When removing and installing the seat, use shop cloths to protect the vehicle from damage.

### INSTALLATION

- Installation is in the reverse order of removal.

### Disassembly and Assembly SEATBACK TRIM AND PAD

EIS004PQ

#### WARNING:

Removal of front side air bag module should only be done to allow deployment of front side air bag module prior to disposal of seatback assembly.

#### NOTE:

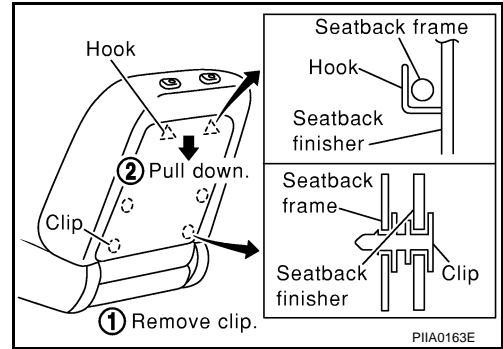
Only complete seatback assemblies can be replaced on vehicles equipped with side air bags.

#### NOTE:

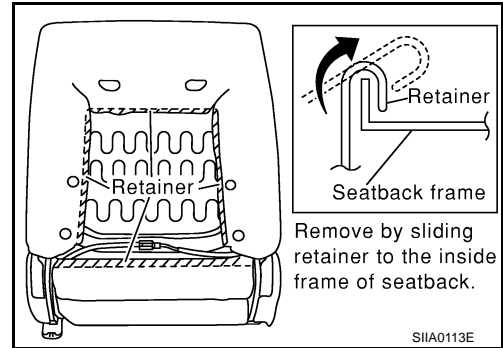
Be sure to set the front/rear cushion lifter to the top position.

# FRONT SEAT

1. Remove the seatback board from the back of the seatback.



2. Remove the retainer.

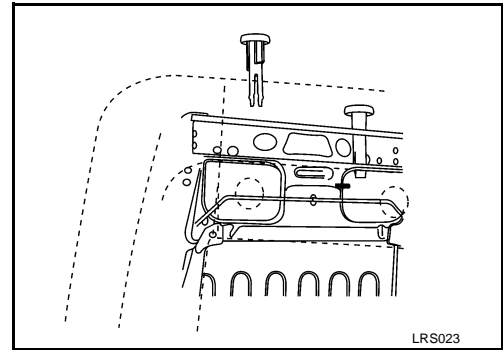


3. Remove the headrest.

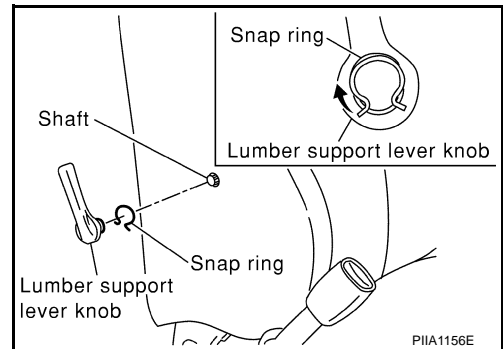
4. From inside of the seatback, squeeze the headrest holder tabs at the base of the stay pipe and pull the up to remove.

**NOTE:**

Before installing the headrest holder, check its orientation (front/rear and right/left).



5. Remove the snap ring and the lumbar support lever knob.



6. Disconnect the seatback heater harness. Remove the seatback trim and pad assembly. Remove the hog ring to separate the seatback trim from the pad and the heater unit.

## REMOVAL OF SEATBACK ASSEMBLY

1. After completing the steps 1 and 2 of "Seatback Trim and Pad", remove the side air bag harness connector from the seat cushion.
2. Remove the mounting bolts (2 for each side) and seatback assembly.

A  
B  
C  
D  
E  
F  
G  
H  
SE  
J  
K  
L  
M

# FRONT SEAT

## INSTALLATION OF SEATBACK ASSEMBLY

- Installation is in the reverse order of removal.

## SEAT CUSHION TRIM AND PAD (DRIVER) OR SEAT CUSHION ASSEMBLY (PASSENGER)

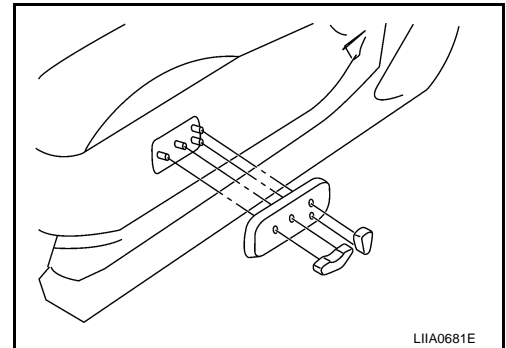
### CAUTION:

- Front passenger seat is equipped with an Occupant Classification System sensor and control module. Do not disassemble front passenger seat cushion assembly or remove the trim as this will affect the Occupant Classification System calibration.
- Always replace passenger seat cushion as an assembly.
- when removed, the passenger seat cushion must always be placed pan side UP to prevent damage.
- During installation, the wire harness clips must be reinstalled in the holes they were originally in. Do not add clips.
- The Occupant Classification System control module can only be replaced as part of the seat cushion assembly.

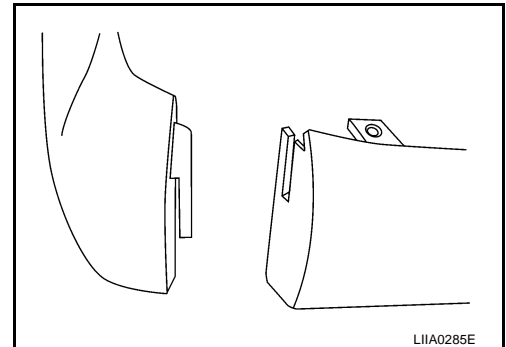
### NOTE:

If the vehicle has been involved in a collision the seat must be inspected for damage. Refer to [SRS-61, "COLLISION DIAGNOSIS"](#).

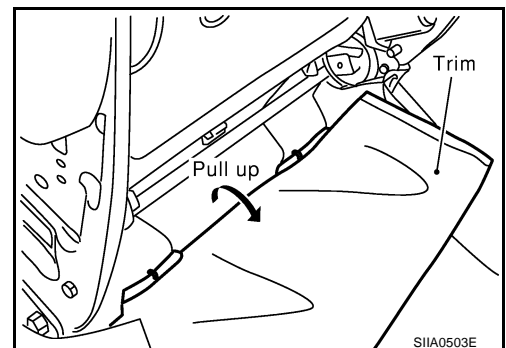
1. Remove the power seat switch knobs and power seat switch escutcheon (or recline knobs on manual seat).



2. Remove the front seat cushion finisher (inner).



3. Remove the power seat switch screws (or lift knobs on manual seats).
4. Remove four bolts and the seat cushion assembly.



5. Remove the retainer on the seat cushion frame, then remove the harness connector for the seat heater.

## FRONT SEAT

- 
6. On the drivers seat only, after removing the seat cushion trim and pad, remove the hog rings to separate the trim cover from the pad and seat cushion heater unit.

A

B

C

D

E

F

G

H

**SE**

J

K

L

M

# REAR SEAT

PF8:88300

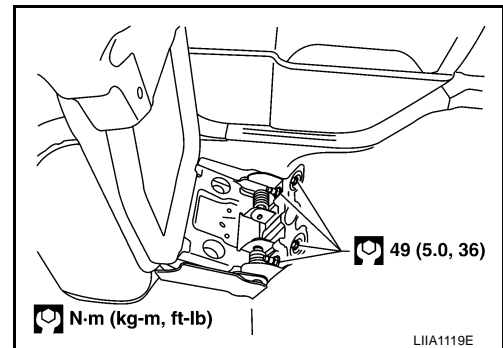
EIS004PR

## REAR SEAT

### Removal and Installation SECOND ROW OUTBOARD

#### Removal

1. Remove seat base trim cover.
2. Lift handle and tilt seat forward.
3. Remove seat anchor nuts, bolts and seat assembly.



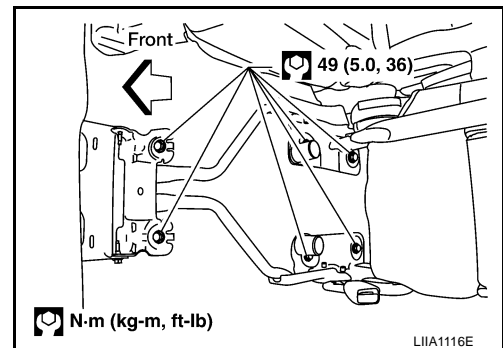
#### Installation

Installation is in the reverse order of removal.

### SECOND ROW CENTER

#### Removal

1. Tilt the seat cushion forward.
2. Remove the seat anchor bolts.
3. Tilt the seat cushion back and remove the seat.



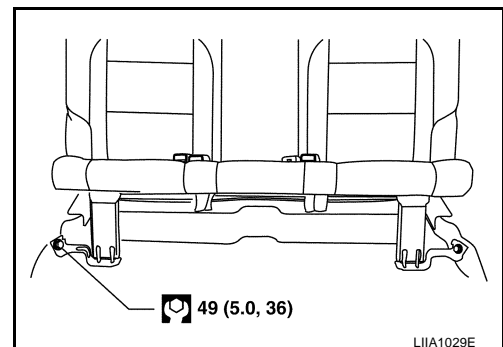
#### Installation

Installation is in the reverse order of removal.

### THIRD ROW

#### Removal

1. Remove the lower base trim covers.
2. Remove front anchor bolts.

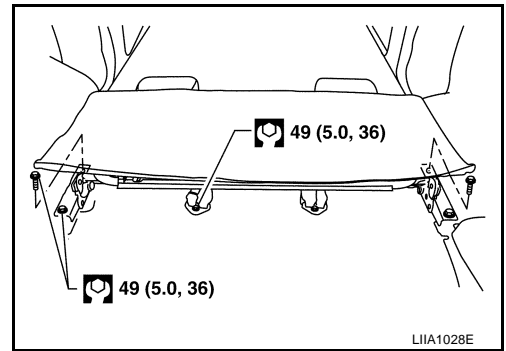


3. Retract the seat into the cargo floor position.



## REAR SEAT

4. Remove the rear anchor bolts from the seat assembly.
5. Remove the seat assembly.



### Installation

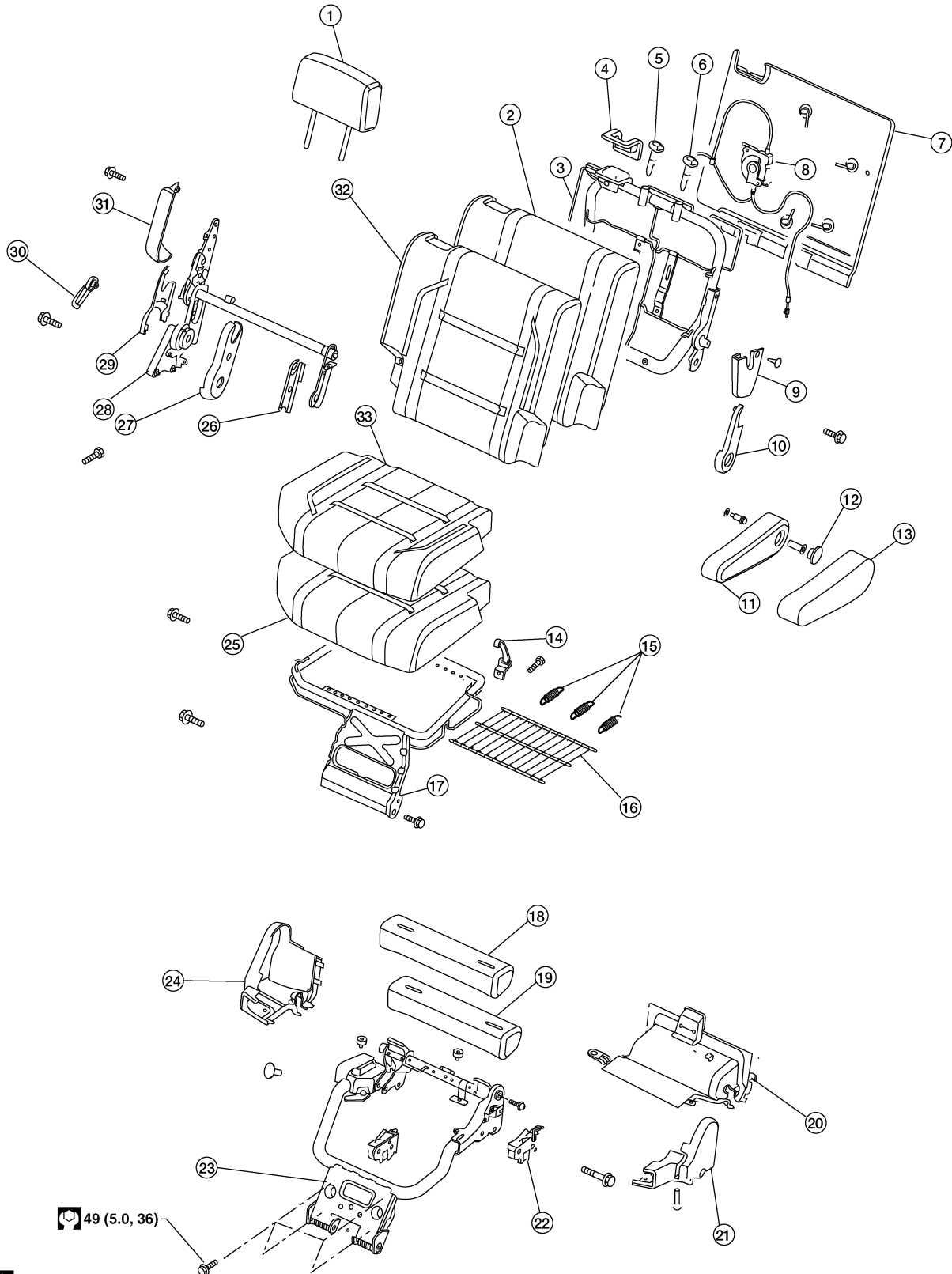
Installation is in the reverse order of removal.

# REAR SEAT

## Disassembly and Assembly

EIS004PS

### Second Row RH



N·m (kg-m, ft-lb)

WIIA0409E

## REAR SEAT

|                                      |                                          |                                          |   |
|--------------------------------------|------------------------------------------|------------------------------------------|---|
| 1. Headrest                          | 2. Seatback pad                          | 3. Seatback frame                        |   |
| 4. Rear seat bezel                   | 5. RH Headrest guide                     | 6. LH Headrest guide                     | A |
| 7. Seat back panel                   | 8. Seat actuator assembly                | 9. Reclining device inner cover          |   |
| 10. Reclining device inner mid cover | 11. Armrest assembly                     | 12. Armrest bolt cover                   | B |
| 13. Armrest trim cover               | 14. Latch assembly                       | 15. Seat cushion mat springs             |   |
| 16. Seat cushion mat                 | 17. Seat cushion frame assembly          | 18. Seat support trim cover              |   |
| 19. Seat support pad assembly        | 20. Lower rear seat cover                | 21. Lower rear seat cover inner          | C |
| 22. Outboard cushion floor latch     | 23. Seat cushion support frame assembly  | 24. Lower rear seat cover outer          |   |
| 25. Seat cushion pad                 | 26. Inner inboard reclining device cover | 27. Outer inboard reclining device cover | D |
| 28. Seat latch and recliner release  | 29. Reclining device outer mid cover     | 30. Reclining device lever               |   |
| 31. Reclining device outer cover     | 32. Seatback trim cover                  | 33. Seat cushion trim cover              | E |

SE

J

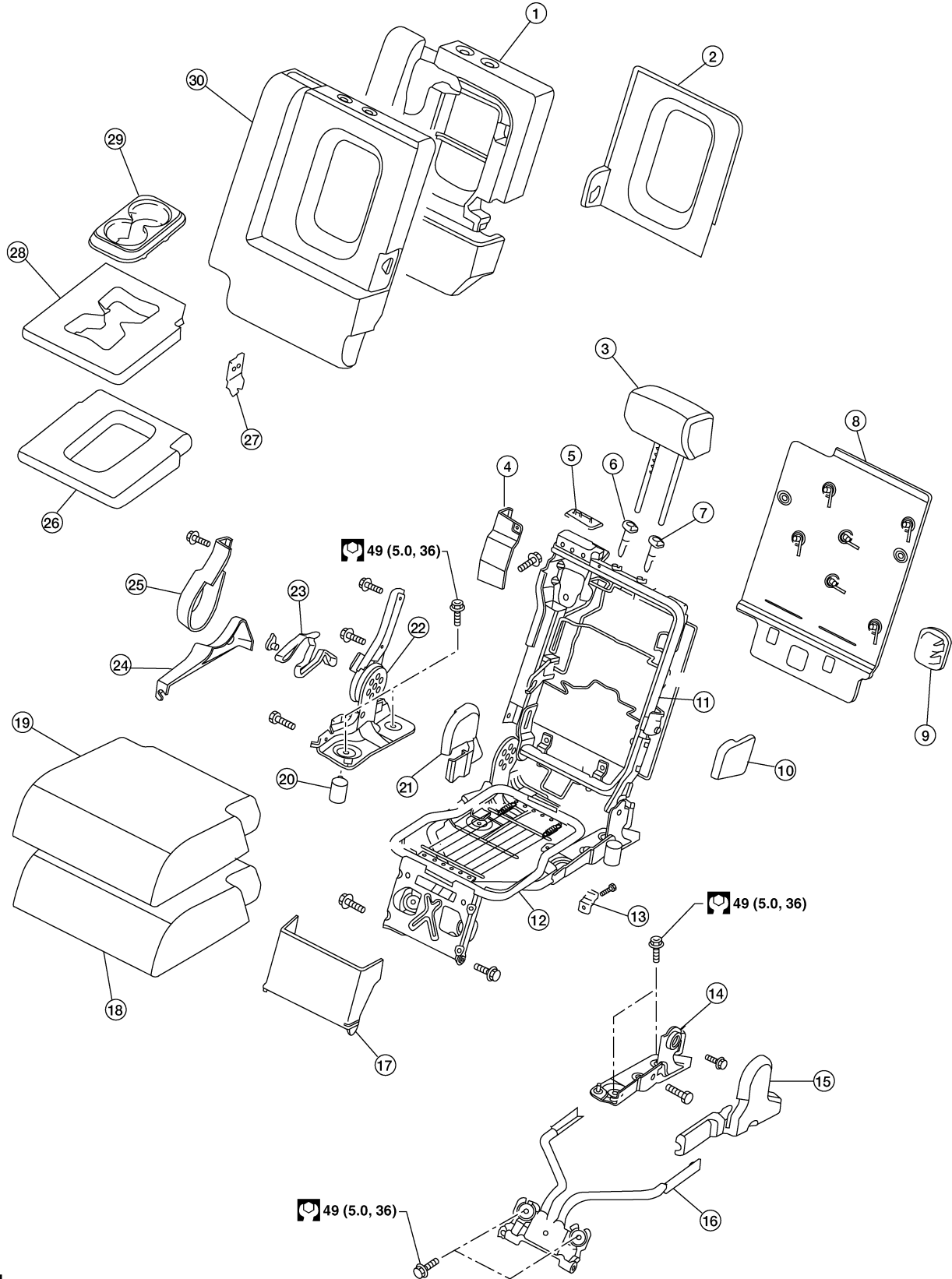
K


L

M

# REAR SEAT

## Second row center



 N-m (kg-m, ft-lb)

- 1. Seatback pad
- 4. Seat belt retractor cover

- 2. Armrest finisher
- 5. Seat belt bezel

- 3. Headrest
- 6. RH headrest guide locking

W11A0410E

## REAR SEAT

---

|                                 |                                      |                         |   |
|---------------------------------|--------------------------------------|-------------------------|---|
| 7. LH headrest guide free       | 8. Seatback board                    | 9. Seat bracket cover   | A |
| 10. Armrest pivot bracket cover | 11. Seatback frame                   | 12. Seat cushion frame  |   |
| 13. Latch assembly              | 14. Lower rear pivot bracket support | 15. Outer hinge cover   | B |
| 16. Center seat base assembly   | 17. Link and pivot bracket apron     | 18. Seat cushion pad    |   |
| 19. Seat cushion trim cover     | 20. Cushion stop bumper              | 21. Inner lever cover   | C |
| 22. Seat hinge assembly         | 23. Seat lever assembly              | 24. Outer lever cover   |   |
| 25. Seat lock cover             | 26. Armrest cover                    | 27. Armrest bracket     | D |
| 28. Armrest pad                 | 29. Cup holder                       | 30. Seatback trim cover |   |

D

E

F

G

H

**SE**

J

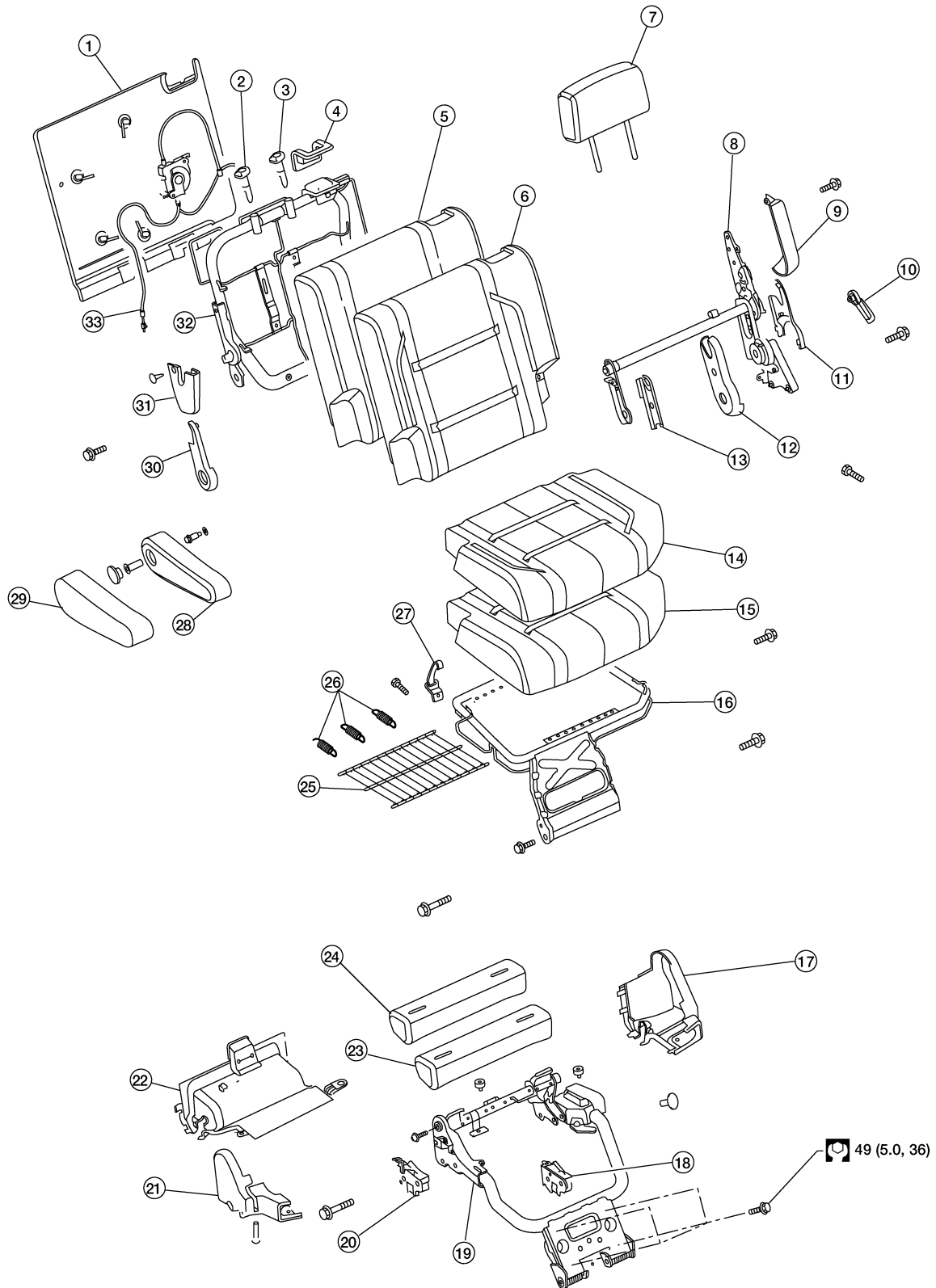
K


L

M

# REAR SEAT

## Second row LH

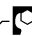


 N·m (kg·m, ft·lb)

- 1. Seatback panel
- 4. Rear seat bezel

- 2. RH headrest guide
- 5. Seatback pad

- 3. LH headrest guide
- 6. Seatback trim cover

 49 (5.0, 36)

WIHA0411E

## REAR SEAT

---

|                                          |                                      |                                          |   |
|------------------------------------------|--------------------------------------|------------------------------------------|---|
| 7. Headrest                              | 8. Seat latch and recliner release   | 9. Reclining device outer cover          | A |
| 10. Reclining device lever               | 11. Reclining device outer mid cover | 12. Outer inboard reclining device cover |   |
| 13. Inner inboard reclining device cover | 14. Seat cushion trim cover          | 15. Seat cushion pad                     |   |
| 16. Seat cushion frame assembly          | 17. Lower rear seat cover outer      | 18. Outboard cushion floor latch         | B |
| 19. Seat cushion support frame assembly  | 20. Inboard cushion floor latch      | 21. Lower rear seat cover inner          |   |
| 22. Lower rear seat cover                | 23. Seat support pad assembly        | 24. Seat support trim cover              | C |
| 25. Seat cushion mat                     | 26. Seat cushion mat springs         | 27. Latch assembly                       |   |
| 28. Armrest assembly                     | 29. Armrest trim cover               | 30. Reclining device outer cover         |   |
| 31. Reclining device inner mid cover     | 32. Seatback frame                   | 33. Seat actuator assembly               | D |

E

F

G

H

**SE**

J

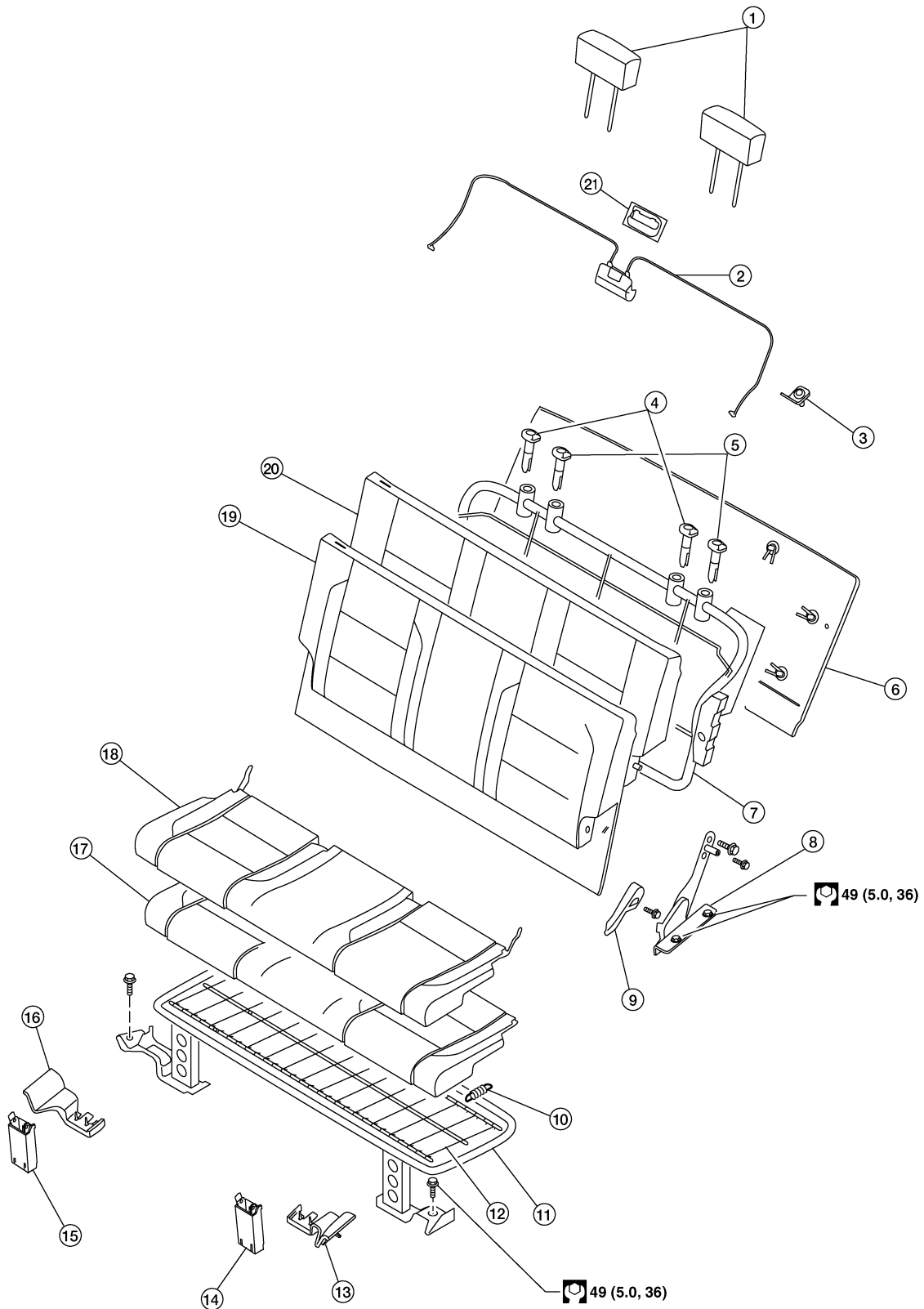
K


L

M

# REAR SEAT

## Third row



 N·m (kg·m, ft·lb)

- |                           |                             |                        |
|---------------------------|-----------------------------|------------------------|
| 1. Headrest               | 2. Release handle and cable | 3. Tether anchor plate |
| 4. Headrest locking guide | 5. Headrest guide free      | 6. Seatback panel      |

WIHA0412E



## REAR SEAT

---

|                            |                         |                             |   |
|----------------------------|-------------------------|-----------------------------|---|
| 7. Seatback frame          | 8. Seatback latch       | 9. Slide link cover         | A |
| 10. Extension spring       | 11. Seat cushion frame  | 12. Flex mat                |   |
| 13. Floor bracket cover LH | 14. Front link cover LH | 15. Front link cover RH     |   |
| 16. Floor bracket cover RH | 17. Seat cushion pad    | 18. Seat cushion trim cover | B |
| 19. Seatback trim cover    | 20. Seatback pad        | 21. Release handle cover    |   |

C

D

E

F

G

H

**SE**

J

K

L

M

# REAR SEAT

---