

SECTION **AV**

AUDIO, VISUAL, NAVIGATION & TELEPHONE SYSTEM

CONTENTS

<b>PRECAUTIONS</b> .....	<b>4</b>	<b>DIAGNOSIS FUNCTION</b> .....	<b>43</b>	<b>F</b>
Precautions for Supplemental Restraint System (SRS) "AIR BAG" and "SEAT BELT PRE-TENSIONER" .....	4	Trouble Diagnosis .....	44	
<b>PREPARATION</b> .....	<b>5</b>	MALFUNCTION WITH RADIO AND CD (BASE SYSTEM) .....	44	<b>G</b>
Commercial Service Tool .....	5	MALFUNCTION WITH RADIO AND CD (BOSE SYSTEM) .....	44	
<b>AUDIO</b> .....	<b>6</b>	FOR RADIO ONLY .....	45	<b>H</b>
Component Parts and Harness Connector Location .....	6	FOR CD ONLY .....	45	
System Description .....	8	FOR SATELLITE RADIO TUNER (FACTORY INSTALLED) ONLY .....	46	<b>I</b>
BASE SYSTEM .....	8	Noise Inspection .....	46	
BOSE® SYSTEM .....	9	TYPE OF NOISE AND POSSIBLE CAUSE .....	46	<b>J</b>
SPEED SENSITIVE VOLUME SYSTEM .....	11	Power Supply Circuit Inspection .....	47	
Schematic .....	12	Satellite Radio Tuner (Factory Installed) Power and Ground Supply Circuit Inspection .....	49	
BASE SYSTEM .....	12	Satellite Radio Tuner (Factory Installed) Communication Circuit Inspection .....	50	<b>AV</b>
BOSE SYSTEM (WITHOUT NAVI) .....	13	Satellite Radio Tuner (Factory Installed) Left Channel Audio Signal Circuit Inspection .....	52	
BOSE SYSTEM (WITH NAVI) .....	14	Satellite Radio Tuner (Factory Installed) Right Channel Audio Signal Circuit Inspection .....	53	<b>L</b>
Wiring Diagram — AUDIO — .....	15	Steering Switch Check .....	53	
BASE SYSTEM .....	15	AV Switch Check .....	55	
BOSE SYSTEM .....	19	Audio Communication Line Check (With Navigation System) .....	55	<b>M</b>
Terminals and Reference Value for Audio Unit for Base System .....	30	Sound Is Not Heard From Front Door Speaker or Front Tweeter (Base System) .....	56	
Terminals and Reference Value for Audio Unit for BOSE System .....	33	Sound Is Not Heard From Rear Door Speaker or Rear Door Tweeter (Base System) .....	58	
Terminals and Reference Value for BOSE Speaker Amp. ....	37	Sound Is Not Heard From Front Door Speaker or Front Tweeter (BOSE System) .....	60	
Terminals and Reference Value for Rear Audio Remote Control Unit .....	39	Sound Is Not Heard From Rear Door Speaker or Rear Door Tweeter (BOSE System) .....	63	
Terminals and Reference Value for AV Switch .....	40	Sound Is Not Heard From Center Speaker (BOSE System) .....	66	
Terminals and Reference Value for Satellite Radio Tuner .....	41	Sound Is Not Heard From Subwoofer (BOSE Sys-		
AV Switch Self-Diagnosis Function .....	43			
STARTING THE SELF-DIAGNOSIS MODE (WITHOUT NAVI) .....	43			
STARTING THE SELF-DIAGNOSIS MODE (WITH NAVI) .....	43			
EXITING THE SELF-DIAGNOSIS MODE .....	43			

tem) .....	67	SELF-DIAGNOSIS RESULT .....	117
Removal and Installation .....	70	Self-Diagnosis Mode (NAVI) .....	118
AUDIO UNIT .....	70	OPERATION PROCEDURE .....	118
INSTALLATION .....	70	SELF-DIAGNOSIS RESULT .....	119
AV SWITCH .....	70	Confirmation/Adjustment Mode .....	121
BOSE SPEAKER AMP. ....	70	OPERATION PROCEDURE .....	121
CENTER SPEAKER .....	71	DISPLAY DIAGNOSIS .....	122
FRONT DOOR SPEAKER .....	71	VEHICLE SIGNALS .....	122
FRONT TWEETER .....	71	NAVIGATION .....	123
REAR AUDIO REMOTE CONTROL UNIT .....	72	DISPLAY DIAGNOSIS .....	123
REAR DOOR SPEAKER .....	72	VEHICLE SIGNALS .....	124
REAR DOOR TWEETER .....	72	ERROR HISTORY .....	124
SATELLITE RADIO ANTENNA .....	73	DIAGNOSIS BY ERROR HISTORY .....	124
SATELLITE RADIO TUNER .....	73	NAVIGATION .....	126
STEERING WHEEL AUDIO CONTROL		CAN DIAG SUPPORT MONITOR .....	128
SWITCHES .....	74	OPERATION PROCEDURE .....	128
SUBWOOFER (BOSE SYSTEM) .....	74	AV Switch Self-Diagnosis Function .....	129
<b>AUDIO ANTENNA .....</b>	<b>75</b>	Power Supply and Ground Circuit Check for NAVI	
System Description .....	75	Control Unit .....	130
Wiring Diagram — W/ANT — .....	76	Power Supply and Ground Circuit Check for Display	
Location of Antenna .....	77	Control Unit .....	131
Window Antenna Repair .....	77	Power Supply and Ground Circuit Check for Display	
ELEMENT CHECK .....	77	Unit .....	132
ELEMENT REPAIR .....	78	Power Supply and Ground Circuit Check for AV	
<b>DVD ENTERTAINMENT SYSTEM .....</b>	<b>79</b>	Switch .....	134
Component Parts and Harness Connector Location ..	79	Vehicle Speed Signal Check for NAVI Control Unit	135
System Description .....	80	Vehicle Speed Signal Check for Display Control Unit	136
Schematic .....	81	Illumination Signal Check for NAVI Control Unit ..	137
Wiring Diagram — DVD — .....	82	Illumination Signal Check for Display Control Unit	137
Trouble Diagnosis .....	85	Ignition Signal Check for NAVI Control Unit .....	137
Power Supply Circuit Inspection .....	86	Ignition Signal Check for Display Control Unit .....	138
Removal and Installation .....	87	Reverse Signal Check for NAVI Control Unit .....	138
DVD PLAYER .....	87	Reverse Signal Check for Display Control Unit .....	138
VIDEO MONITOR .....	87	AV Communication Line Check (Between Display	
<b>NAVIGATION SYSTEM .....</b>	<b>88</b>	Control Unit and NAVI Control Unit) .....	139
System Description .....	88	Audio Communication Line Check (Between Dis-	
TRAVEL DISTANCE .....	88	play Control Unit and Audio Unit) .....	140
TRAVEL DIRECTION .....	88	Display Communication Line Check (Between Dis-	
MAP-MATCHING .....	89	play Control Unit and Display Unit) .....	142
GPS (GLOBAL POSITIONING SYSTEM) .....	89	AV Communication Line Check (Between Display	
COMPONENT DESCRIPTION .....	90	Control Unit and AV Switch) .....	143
CAN Communication System Description .....	90	CAN Communication Line Check .....	144
Component Parts Location .....	91	If NAVI Control Unit Detects That DVD-ROM Map	
Schematic .....	92	is Not Inserted .....	144
Wiring Diagram — NAVI — .....	93	If NAVI Control Unit Detects That Inserted DVD-	
Schematic .....	100	ROM Map is Malfunctioning or If It is Impossible to	
Wiring Diagram — COMM — .....	101	Load Data from DVD-ROM Map .....	145
Terminals and Reference Value for NAVI Control		If Connection Between NAVI Control Unit and GPS	
Unit .....	104	Antenna is Malfunctioning .....	145
Terminals and Reference Value for Display Control		Operating Screen for Audio and A/C is Not Dis-	
Unit .....	106	played When Showing NAVI Screen .....	146
Terminals and Reference Value for Display Unit ..	110	Color of RGB Image is Not Proper (Only NAVI	
Terminals and Reference Value for AV Switch ....	112	Screen Looks Bluish) .....	147
Terminals and Reference Value for BCM .....	113	Color of RGB Image is Not Proper (Only NAVI	
On Board Self-Diagnosis Function .....	115	Screen Looks Reddish) .....	148
DESCRIPTION .....	115	Color of RGB Image is Not Proper (Only NAVI	
DIAGNOSIS ITEM .....	115	Screen Looks Yellowish) .....	149
Self-Diagnosis Mode (DCU) .....	115	Color of RGB Image is Not Proper (All Screens Look	
OPERATION PROCEDURE .....	115	Bluish) .....	150

Color of RGB Image is Not Proper (All Screens Look Reddish) .....	151	VOICE GUIDE .....	163
Color of RGB Image is Not Proper (All Screens Look Yellowish) .....	152	ROUTE SEARCH .....	164
NAVI Screen is Rolling .....	154	EXAMPLES OF CURRENT-LOCATION MARK DISPLACEMENT .....	165
Guide Sound is Not Heard .....	156	CURRENT-LOCATION MARK SHOWS A POSITION WHICH IS COMPLETELY WRONG .....	168
Screen is Not Shown .....	157	CURRENT-LOCATION MARK JUMPS .....	168
A/C Screen is Not Shown (NAVI Screen is Shown) .....	157	CURRENT-LOCATION MARK IS IN A RIVER OR SEA .....	169
FUEL ECONOMY Screen is Not Shown .....	157	WHEN DRIVING ON SAME ROAD, SOMETIMES CURRENT-LOCATION MARK IS IN RIGHT PLACE AND SOMETIMES IT IS WRONG PLACE .....	169
Average Fuel Economy Displayed is Not Shown ("***" is Shown) .....	157	LOCATION CORRECTION BY MAP-MATCHING IS SLOW .....	169
Distance to Empty Displayed is Not Shown ("***" is Shown) .....	158	ALTHOUGH GPS RECEIVING DISPLAY IS GREEN, VEHICLE MARK DOES NOT RETURN TO CORRECT LOCATION .....	169
Driving Distance or Average Speed Displayed is Not Shown ("***" is Shown) .....	158	NAME OF CURRENT PLACE IS NOT DISPLAYED .....	169
WARNING DOOR OPEN Screen is Not Shown .....	158	CONTENTS OF DISPLAY DIFFER FOR BIRD-VIEW™ AND THE (FLAT) MAP SCREEN .....	169
Unable to Operate All of AV Switches (Unable to Start Self-Diagnosis) .....	159	Program Loading of NAVI Control Unit .....	170
Audio Does Not Work .....	159	Removal and Installation .....	171
Navigation System Does Not Activate .....	159	AV SWITCH .....	171
Previous NAVI Conditions are Not Stored .....	160	DISPLAY CONTROL UNIT .....	171
Previous Vehicle Conditions are Not Stored .....	160	DISPLAY UNIT .....	171
Position of Current Location Mark is Not Correct .....	160	GPS ANTENNA .....	171
Radio Wave From GPS Satellite is Not Received .....	160	NAVI CONTROL UNIT .....	172
Driving Test .....	161	STEERING WHEEL SWITCH .....	172
Example of Symptoms Judged Not Malfunction .....	162		
BASIC OPERATION .....	162		
VEHICLE MARK .....	162		
DESTINATION, PASSING POINTS, AND MENU ITEMS CANNOT BE SELECTED/SET .....	163		

A  
B  
C  
D  
E  
F  
G  
H  
I  
J

AV

L  
M

# PRECAUTIONS

---

## PRECAUTIONS

PF0:00001

### Precautions for Supplemental Restraint System (SRS) “AIR BAG” and “SEAT BELT PRE-TENSIONER”

EKS00B31

The Supplemental Restraint System such as “AIR BAG” and “SEAT BELT PRE-TENSIONER”, used along with a front seat belt, helps to reduce the risk or severity of injury to the driver and front passenger for certain types of collision. This system includes seat belt switch inputs and dual stage front air bag modules. The SRS system uses the seat belt switches to determine the front air bag deployment, and may only deploy one front air bag, depending on the severity of a collision and whether the front occupants are belted or unbelted. Information necessary to service the system safely is included in the SRS and SB section of this Service Manual.

#### **WARNING:**

- **To avoid rendering the SRS inoperative, which could increase the risk of personal injury or death in the event of a collision which would result in air bag inflation, all maintenance must be performed by an authorized NISSAN/INFINITI dealer.**
- **Improper maintenance, including incorrect removal and installation of the SRS, can lead to personal injury caused by unintentional activation of the system. For removal of Spiral Cable and Air Bag Module, see the SRS section.**
- **Do not use electrical test equipment on any circuit related to the SRS unless instructed to in this Service Manual. SRS wiring harnesses can be identified by yellow and/or orange harnesses or harness connectors.**

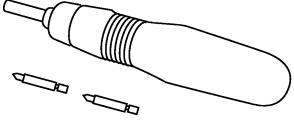
# PREPARATION

## PREPARATION

PF0:00002

### Commercial Service Tool

EKS00B33

Tool name	Description
<p data-bbox="162 298 276 325">Power tool</p>  <p data-bbox="852 499 925 514">PBIC0191E</p>	<p data-bbox="1015 298 1266 325">Loosening bolts and nuts</p>

A  
B  
C  
D  
E  
F  
G  
H  
I  
J  
L  
M

AV

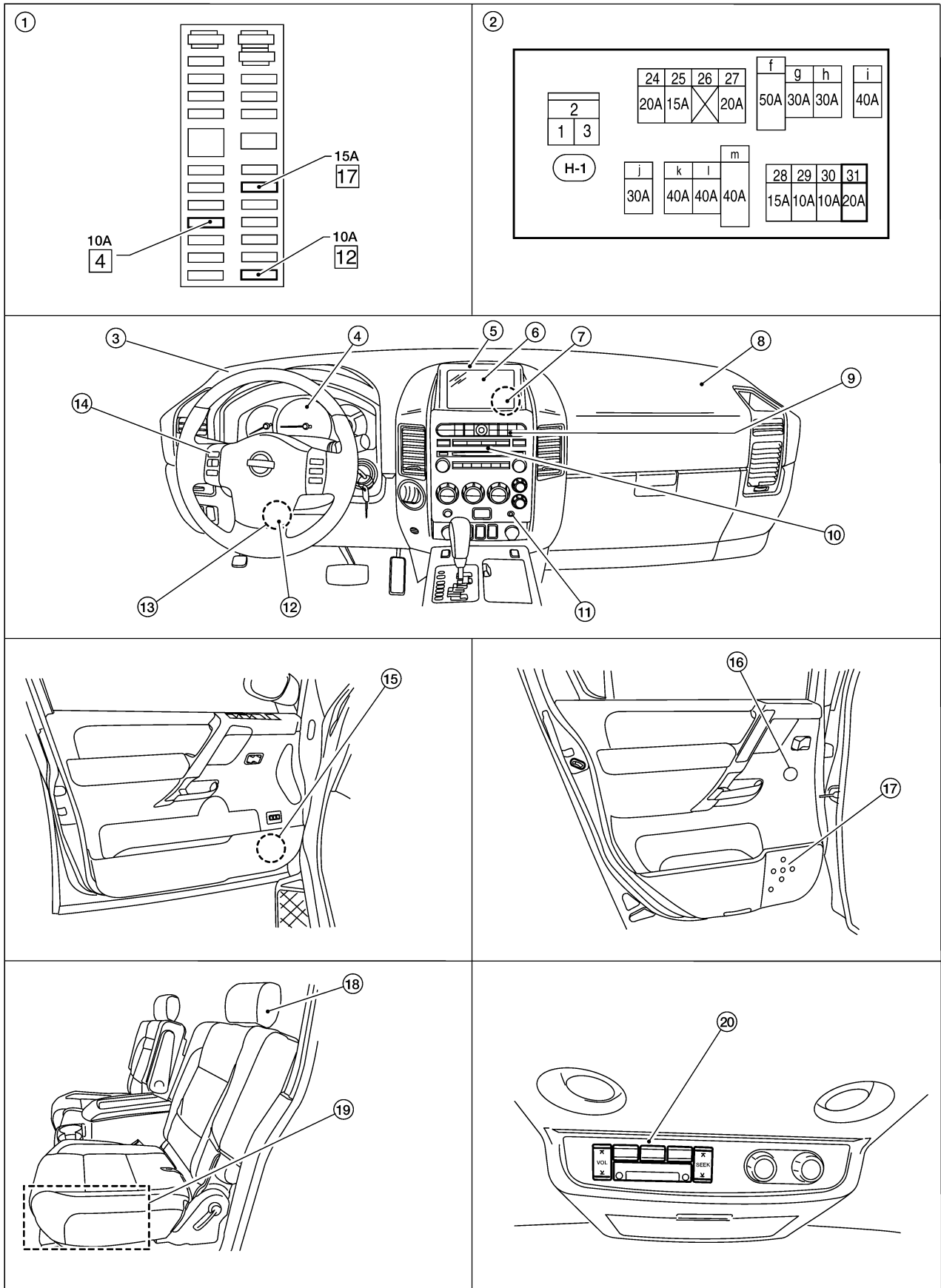
# AUDIO

## AUDIO

PF28111

### Component Parts and Harness Connector Location

EKS00B34



WKIA4423E

# AUDIO

---

1. Fuse block (J/B)	2. Fuse and fusible link box	3. Front tweeter LH M109	A
4. Combination meter M24	5. Center speaker (with BOSE) M110	6. Display unit (with NAVI) M93	
7. Display control unit (with NAVI) M94, M95	8. Front tweeter RH M111	9. AV Switch M98	B
10. Audio unit M43, M44, M45, M46	11. AUX in jack M104	12. BOSE speaker amp (with BOSE) M112, M113	C
13. Satellite radio tuner (pre-wiring or factory installed, if equipped) M41	14. Steering wheel audio control switches	15. Front door speaker LH, RH D12, D112	
16. Rear door tweeter LH, RH D208, D308	17. Rear door speaker LH, RH D207, D307	18. Driver seat	D
19. Subwoofer (with BOSE) B72	20. Rear audio remote control unit R204		E

F

G

H

I

J

AV

L

M

## System Description

### BASE SYSTEM

Refer to Owner's Manual for audio system operating instructions.

Power is supplied at all times

- through 20A fuse [No. 31, located in the fuse and fusible link box]
- to audio unit terminal 6 and
- to AV switch terminal 1

With the ignition switch in the ACC or ON position, power is supplied

- through 10A fuse [No. 4, located in the fuse block (J/B)]
- to audio unit terminal 10 and
- to AV switch terminal 2

Ground is supplied through the case of the audio unit.

Ground is also supplied

- to AV switch terminal 5 and
- through body grounds M57, M61 and M79.

Then audio signals are supplied

- through audio unit terminals 1, 2, 3, 4, 13, 14, 15 and 16
- to terminals + and - of front door speaker LH and RH
- to terminals + and - of front tweeter LH and RH.
- to terminals + and - of rear door speaker LH and RH
- to terminals + and - of rear door tweeter LH and RH.

When one of steering wheel audio control switches is pushed, the resistance in steering switch circuit changes depending on which button is pushed.

### Rear Audio Remote Control Unit

Power is supplied

- from audio unit terminal 32
- to rear audio remote control unit terminal 13.

Ground is supplied

- to rear audio remote control unit terminal 15
- through body grounds B117 and B132.

Audio signals are supplied

- through audio unit terminals 26, 27, 28 and 29
- to terminals 1, 2, 3, and 4 of rear audio remote control unit.

### AUX In Jack

The AUX in jack allows input of audio signals to the audio unit from an auxiliary audio device.

Audio signals are supplied

- from AUX in jack terminals 1, 2 and 4
- to audio unit terminals 74, 75 and 76.

### Satellite Radio Tuner (Pre-wiring)

The satellite radio tuner pre-wiring allows connection of a satellite radio tuner.

Power is supplied at all times

- through 20A fuse [No. 31, located in the fuse and fusible link box]
- to satellite radio tuner pre-wiring terminal 32.

With the ignition switch in the ACC or ON position, power is supplied

- through 10A fuse [No. 4, located in the fuse block (J/B)]
- to satellite radio tuner pre-wiring terminal 36.

Radio signals are supplied from the satellite radio antenna to satellite radio tuner terminal 37.

Audio signals are supplied

- through satellite radio tuner pre-wiring terminals 21, 22, 23 and 24



# AUDIO

- to audio unit terminals 41, 42, 43 and 44.

Ground is supplied through the case of the satellite radio tuner.

## Satellite Radio Tuner (Factory Installed)

### NOTE:

Factory installed satellite radio systems may be identified by the location of the satellite radio tuner antenna. Factory installed satellite radio antennas are installed on the front of the roof. Dealer installed antennas may be installed anywhere on the roof.

Power is supplied at all times

- through 20A fuse [No. 31, located in the fuse and fusible link box]
- to satellite radio tuner terminal 32.

With the ignition switch in the ACC or ON position, power is supplied

- through 10A fuse [No. 4, located in the fuse block (J/B)]
- to satellite radio tuner terminal 36.

Radio signals are supplied from the satellite radio antenna to satellite radio tuner terminal 37.

Audio signals are supplied

- through satellite radio tuner terminals 21, 22, 23 and 24
- to terminals 41, 42, 43 and 44 of audio unit.

Ground is supplied through the case of the satellite radio tuner.

## BOSE® SYSTEM

Refer to Owner's Manual for audio system operating instructions.

Power is supplied at all times

- through 15A fuse [No. 17, located in the fuse block (J/B)]
- to subwoofer terminal 6
- through 20A fuse [No. 31, located in the fuse and fusible link box]
- to audio unit terminal 6
- to BOSE speaker amp. terminal 1
- to AV switch terminal 1 and
- to display control unit terminal 1 (with NAVI).

With the ignition switch in the ACC or ON position, power is supplied

- through 10A fuse [No. 4, located in the fuse block (J/B)]
- to audio unit terminal 10 and
- to AV switch terminal 2 and
- to display control unit terminal 10 (with NAVI).

With the ignition switch in the ON or START position, power is supplied

- through 10A fuse [No. 12, located in the fuse block (J/B)]
- to display control unit terminal 12 (with NAVI).

Ground is supplied through the case of the audio unit.

Ground is also supplied

- to subwoofer terminal 5
- through body grounds B7 and B19 and
- to BOSE speaker amp. terminal 17
- to AV switch terminal 5 and
- to display unit terminal 1 (with NAVI) and
- to display control unit terminal 3 (with NAVI)
- through body grounds M57, M61 and M79.

Then audio signals are supplied

- through audio unit terminals 1, 2, 3, 4, 13, 14, 15 and 16
- to BOSE speaker amp. terminals 23, 24, 25, 26, 27, 28, 29 and 30.

Audio signals are amplified by the BOSE speaker amp.

The amplified audio signals are supplied

A

B

C

D

E

F

G

H

I

J

AV

L

M

## AUDIO

- 
- through BOSE speaker amp. terminals 2, 3, 9,10,11,12, 13, 14, 15, 16, 18 and 19
  - to terminals + and - of front door speaker LH and RH
  - to terminals + and - of front tweeter LH and RH
  - to terminals + and - of center speaker
  - to terminals + and - of rear door speaker LH and RH
  - to terminals + and - of rear door tweeter LH and RH and
  - to terminals 1 and 2 of subwoofer.

When one of steering wheel audio control switches is pushed, the resistance in steering switch circuit changes depending on which button is pushed.

### Rear Audio Remote Control Unit

Power is supplied

- from audio unit terminal 32
- to rear audio remote control unit terminal 13.

Ground is supplied

- to rear audio remote control unit terminal 15
- through body grounds B117 and B132.

Audio signals are supplied

- through audio unit terminals 26, 27, 28 and 29
- to terminals 1, 2, 3, and 4 of rear audio remote control unit.

### AUX In Jack

The AUX in jack allows input of audio signals to the audio unit from an auxiliary audio device.

Audio signals are supplied

- from AUX in jack terminals 1, 2 and 4
- to audio unit terminals 74, 75 and 76.

### Satellite Radio Tuner (Pre-wiring)

The satellite radio tuner pre-wiring allows connection of a satellite radio tuner.

Power is supplied at all times

- through 20A fuse [No. 31, located in the fuse and fusible link box]
- to satellite radio tuner pre-wiring terminal 32.

With the ignition switch in the ACC or ON position, power is supplied

- through 10A fuse [No. 4, located in the fuse block (J/B)]
- to satellite radio tuner pre-wiring terminal 36.

Radio signals are supplied from the satellite radio antenna to satellite radio tuner terminal 37.

Audio signals are supplied

- through satellite radio tuner pre-wiring terminals 21, 22, 23 and 24
- to audio unit terminals 41, 42, 43 and 44.

Ground is supplied through the case of the satellite radio tuner.

### Satellite Radio Tuner (Factory Installed)

#### NOTE:

Factory installed satellite radio systems may be identified by the location of the satellite radio tuner antenna. Factory installed satellite radio antennas are installed on the front of the roof. Dealer installed antennas may be installed anywhere on the roof.

Power is supplied at all times

- through 20A fuse [No. 31, located in the fuse and fusible link box]
- to satellite radio tuner terminal 32.

With the ignition switch in the ACC or ON position, power is supplied

- through 10A fuse [No. 4, located in the fuse block (J/B)]
- to satellite radio tuner terminal 36.

Radio signals are supplied from the satellite radio antenna to satellite radio tuner terminal 37.

# AUDIO

---

Audio signals are supplied

- through satellite radio tuner terminals 21, 22, 23 and 24
- to terminals 41, 42, 43 and 44 of audio unit.

Ground is supplied through the case of the satellite radio tuner.

## **SPEED SENSITIVE VOLUME SYSTEM**

Volume level of this system goes up and down automatically in proportion to the vehicle speed. The control level can be selected by the customer. Refer to Owner's Manual for operating instructions.

A

B

C

D

E

F

G

H

I

J

AV

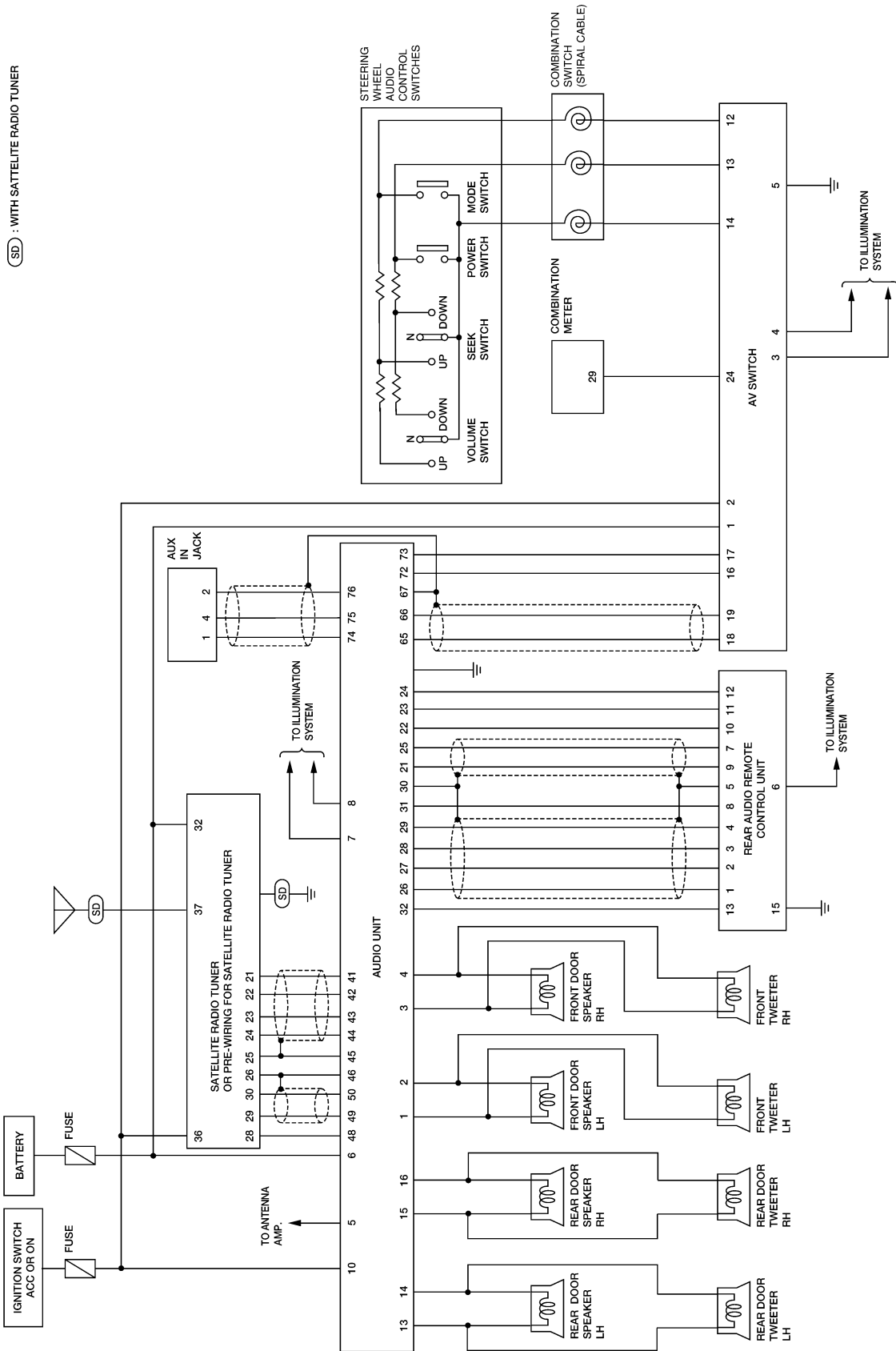
L

M

# AUDIO

## Schematic BASE SYSTEM

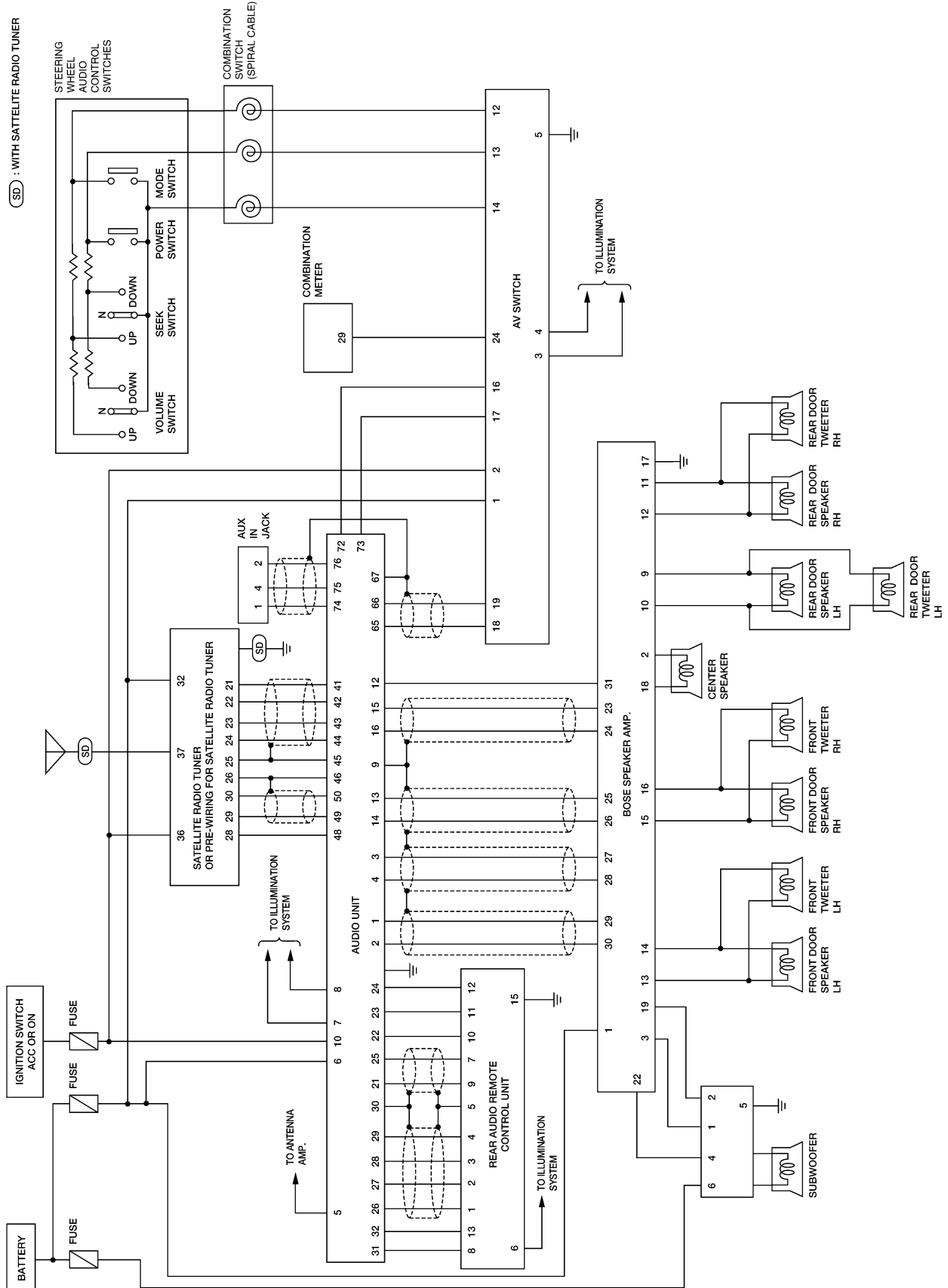
EKS00B36



WKWA3431E

# AUDIO

## BOSE SYSTEM (WITHOUT NAVI)



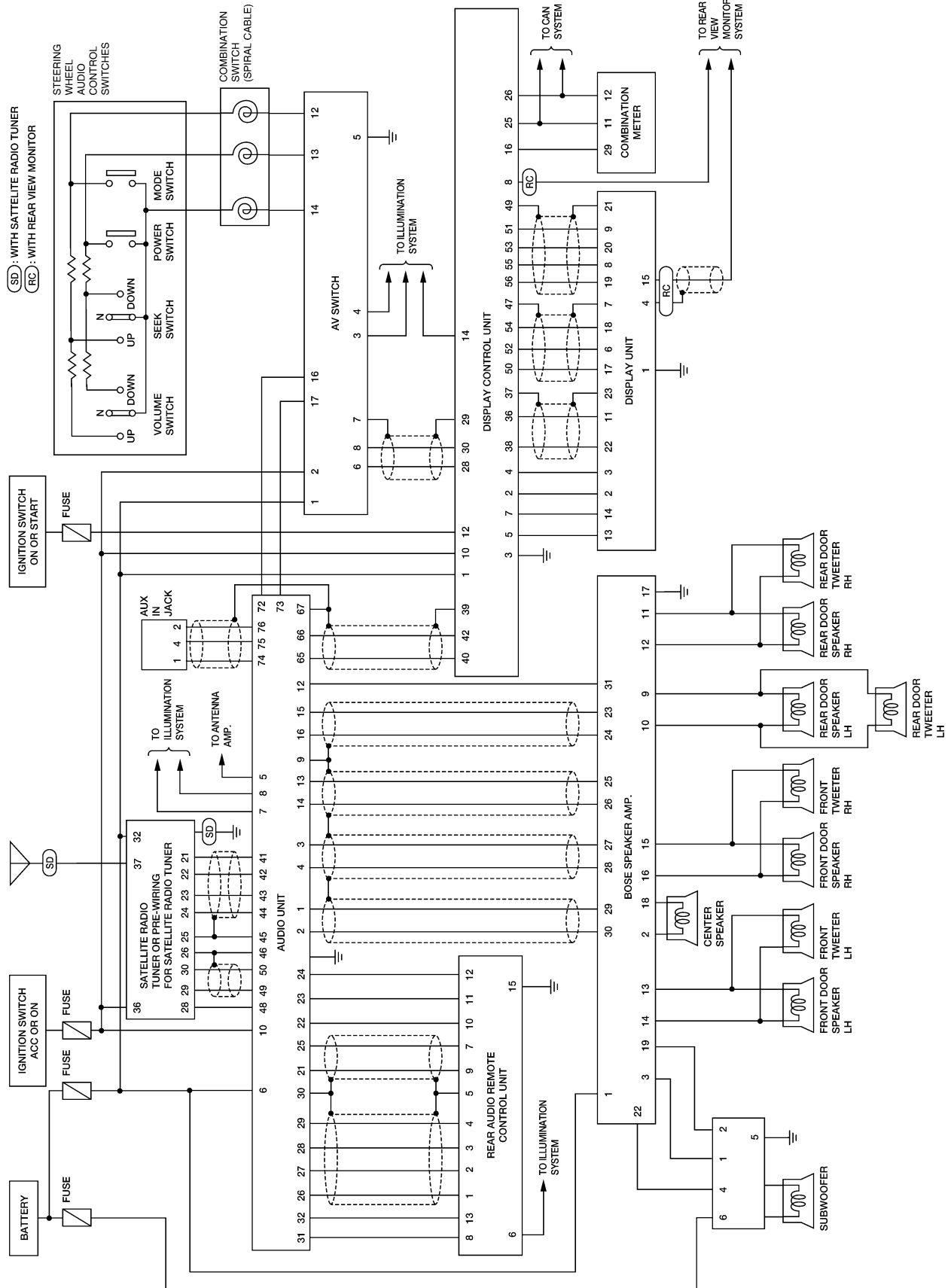
A  
B  
C  
D  
E  
F  
G  
H  
I  
J  
L  
M

AV

WKWA3432E

# AUDIO

## BOSE SYSTEM (WITH NAVI)

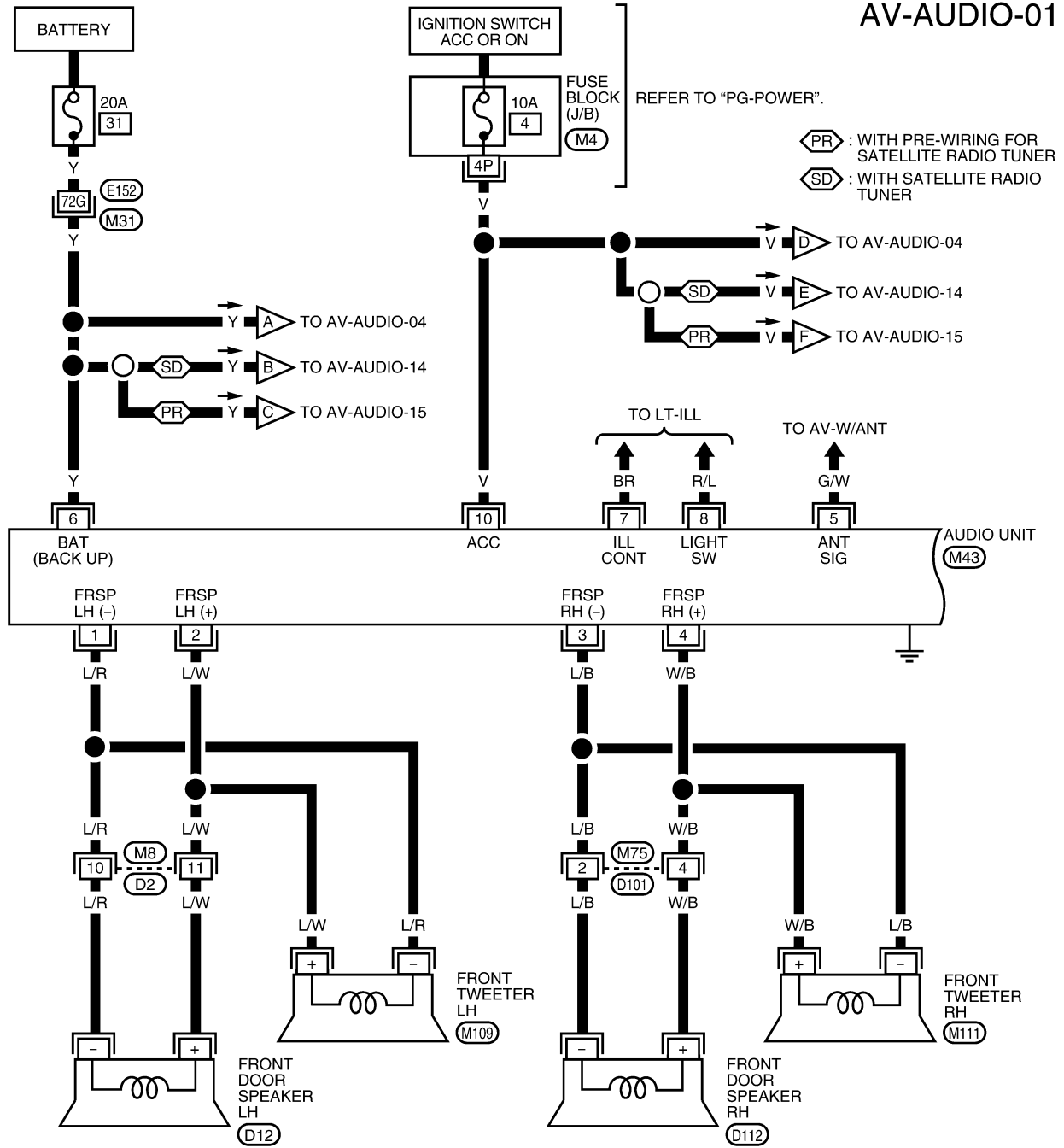


WKWA3433E

# AUDIO

EKS00B37

## Wiring Diagram — AUDIO — BASE SYSTEM

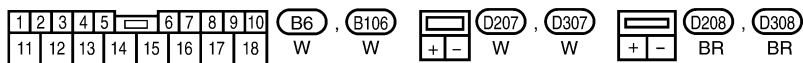
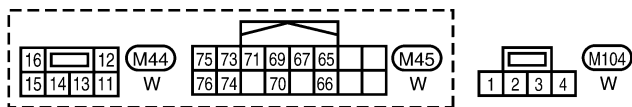
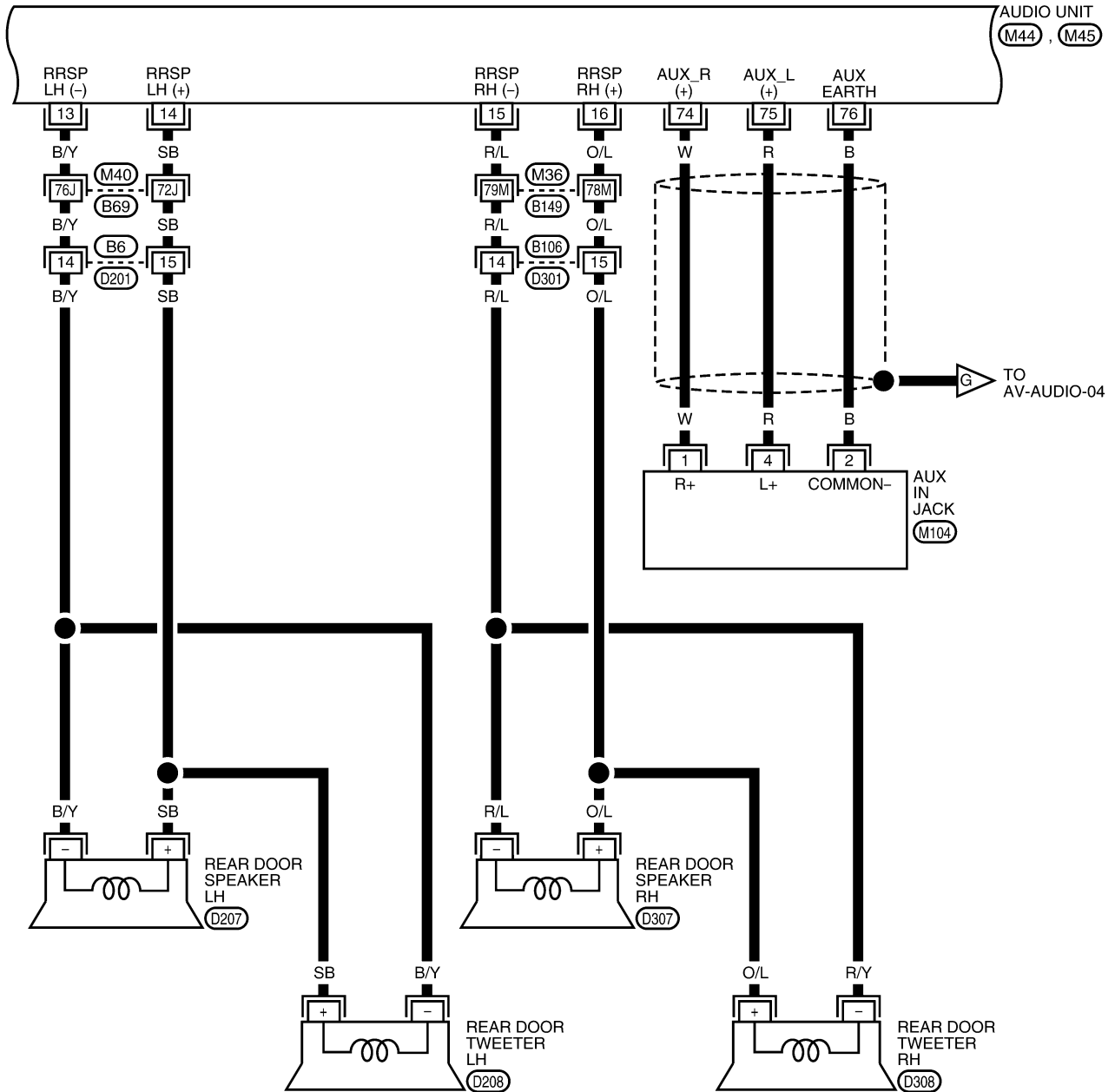


REFER TO THE FOLLOWING.  
M31 - SUPER MULTIPLE JUNCTION (SMJ)

WKWA3434E

# AUDIO

## AV-AUDIO-02



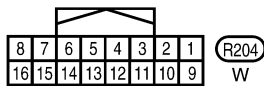
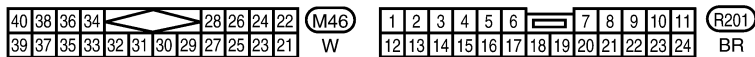
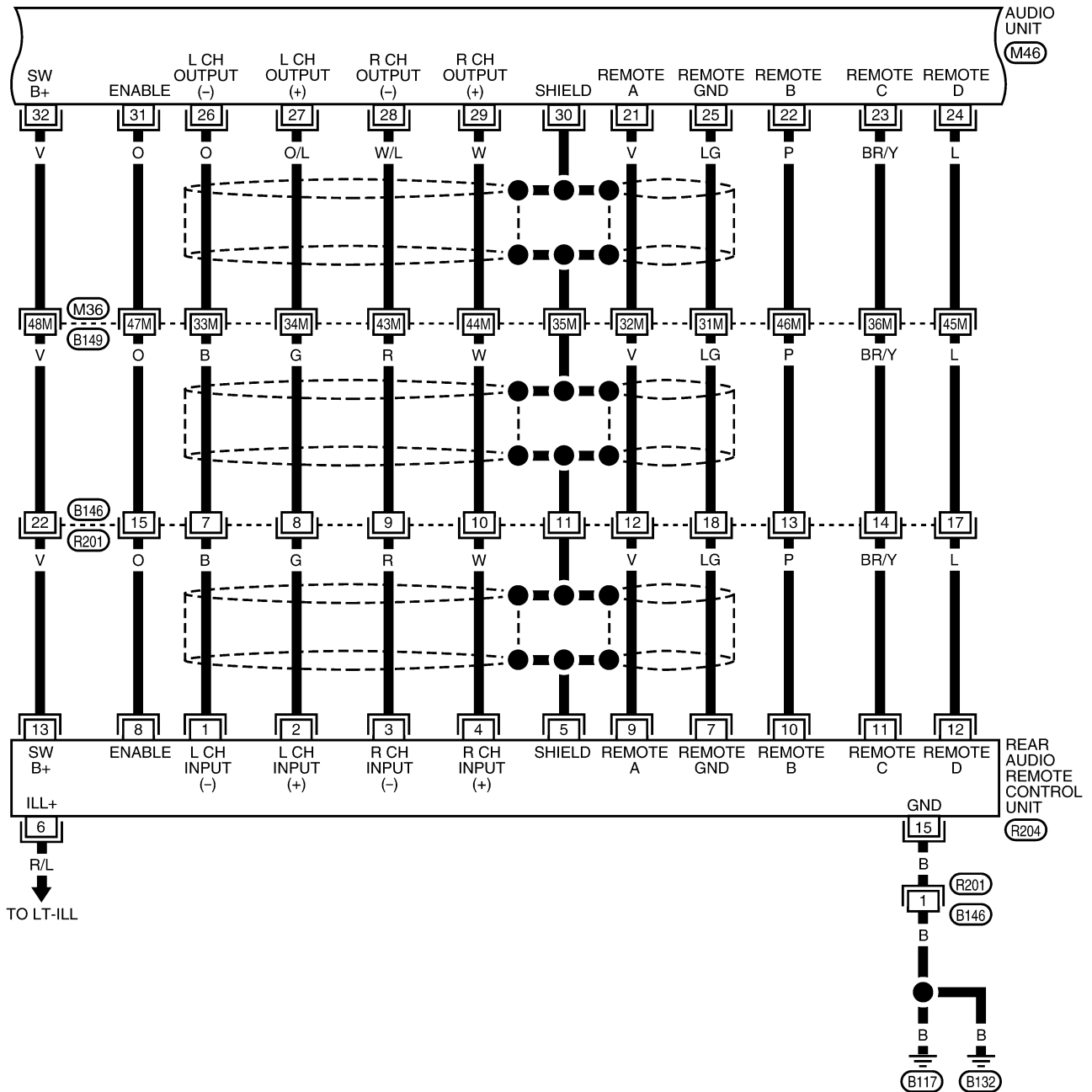
REFER TO THE FOLLOWING.  
**(M36)**, **(M40)** - SUPER  
 MULTIPLE JUNCTION (SMJ)

WKWA3435E



# AUDIO

## AV-AUDIO-03

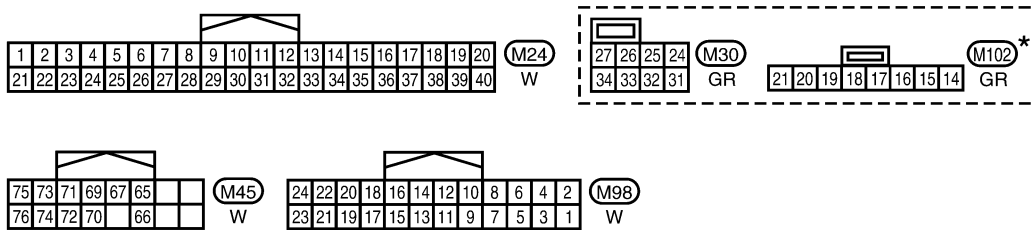
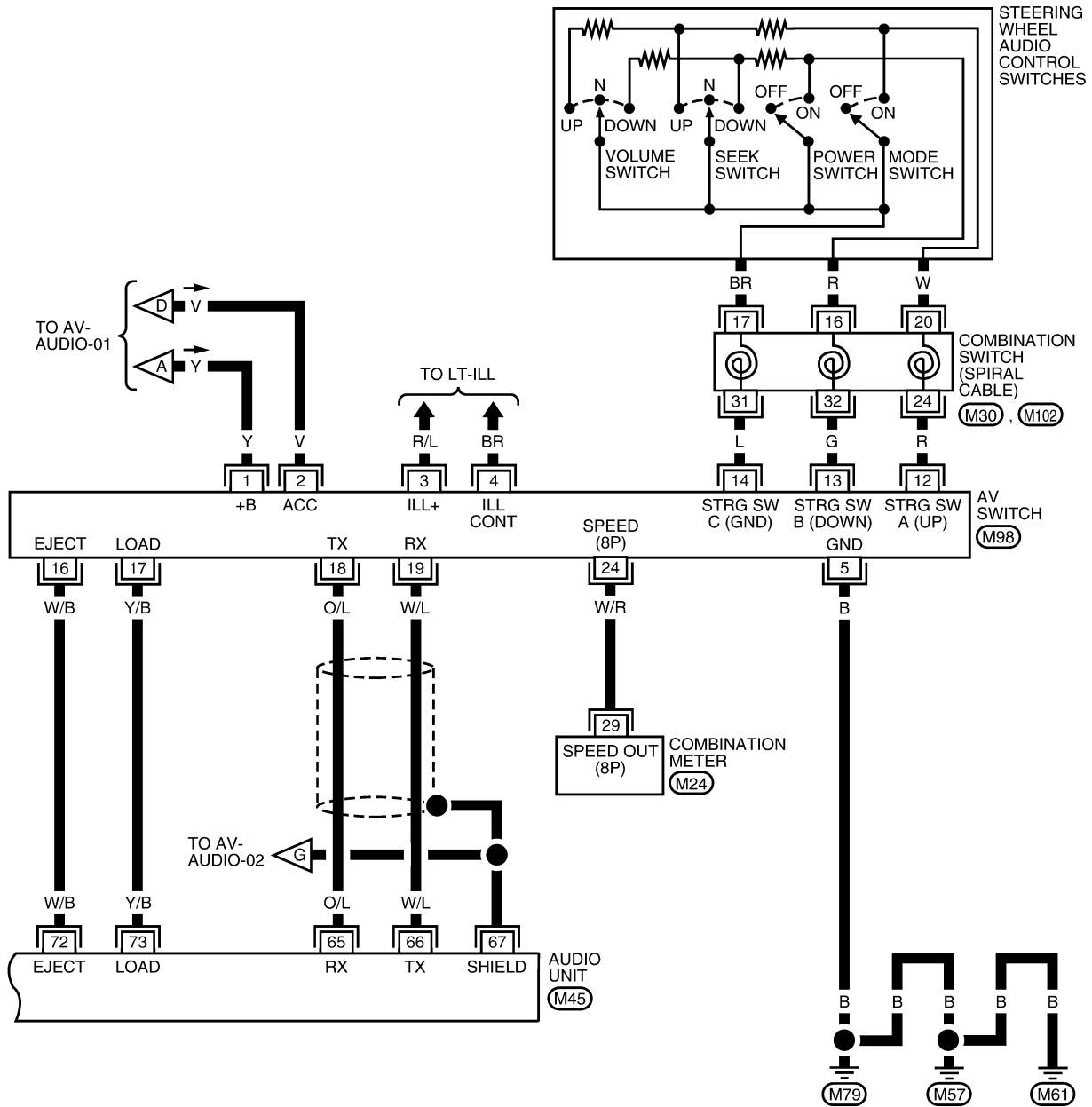


REFER TO THE FOLLOWING.  
**(M36)** - SUPER MULTIPLE JUNCTION (SMJ)

WKWA2275E

# AUDIO

## AV-AUDIO-04



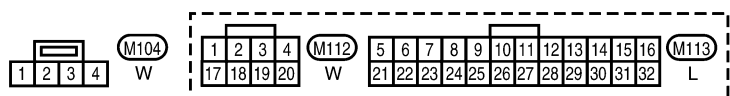
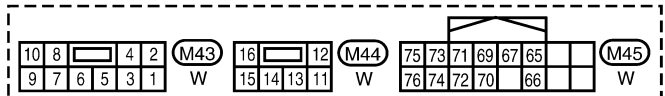
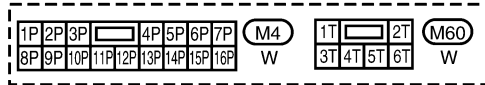
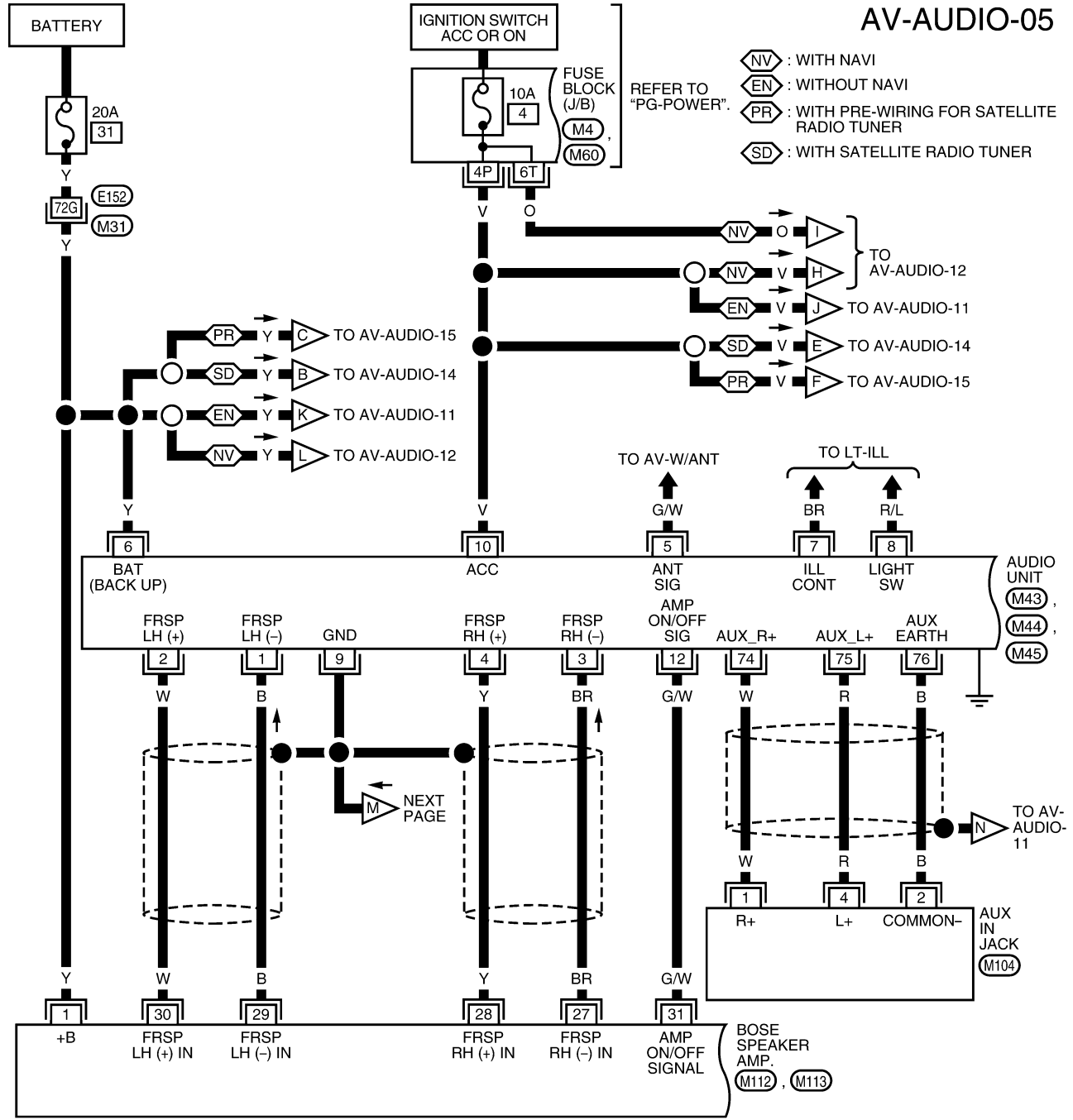
\*: THIS CONNECTOR IS NOT SHOWN IN "HARNESS LAYOUT" OF PG SECTION.

WKWA3436E

# AUDIO

## BOSE SYSTEM

## AV-AUDIO-05

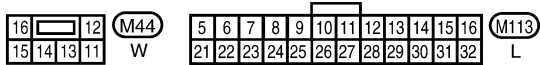
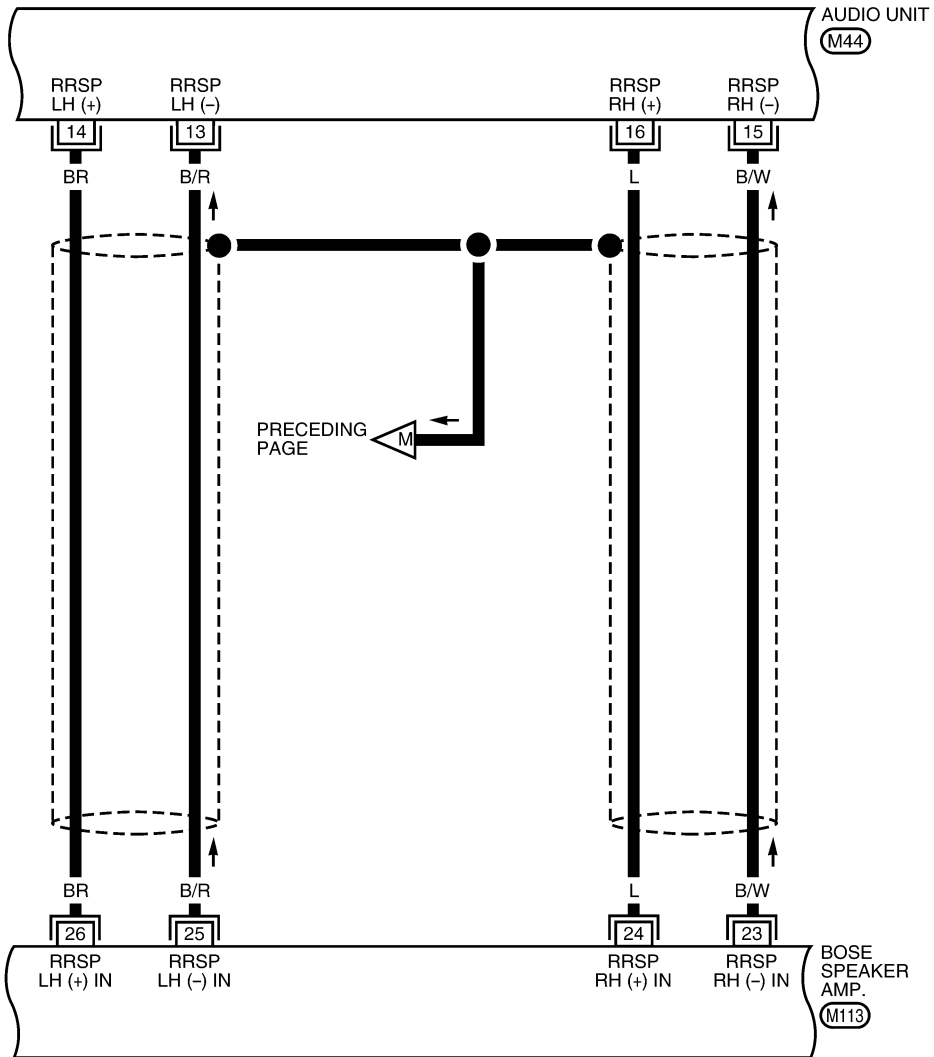


REFER TO THE FOLLOWING.  
 (M31) - SUPER MULTIPLE JUNCTION (SMJ)

WKWA3437E

# AUDIO

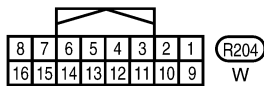
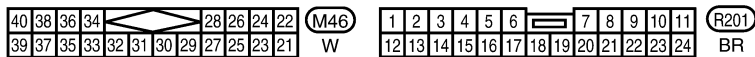
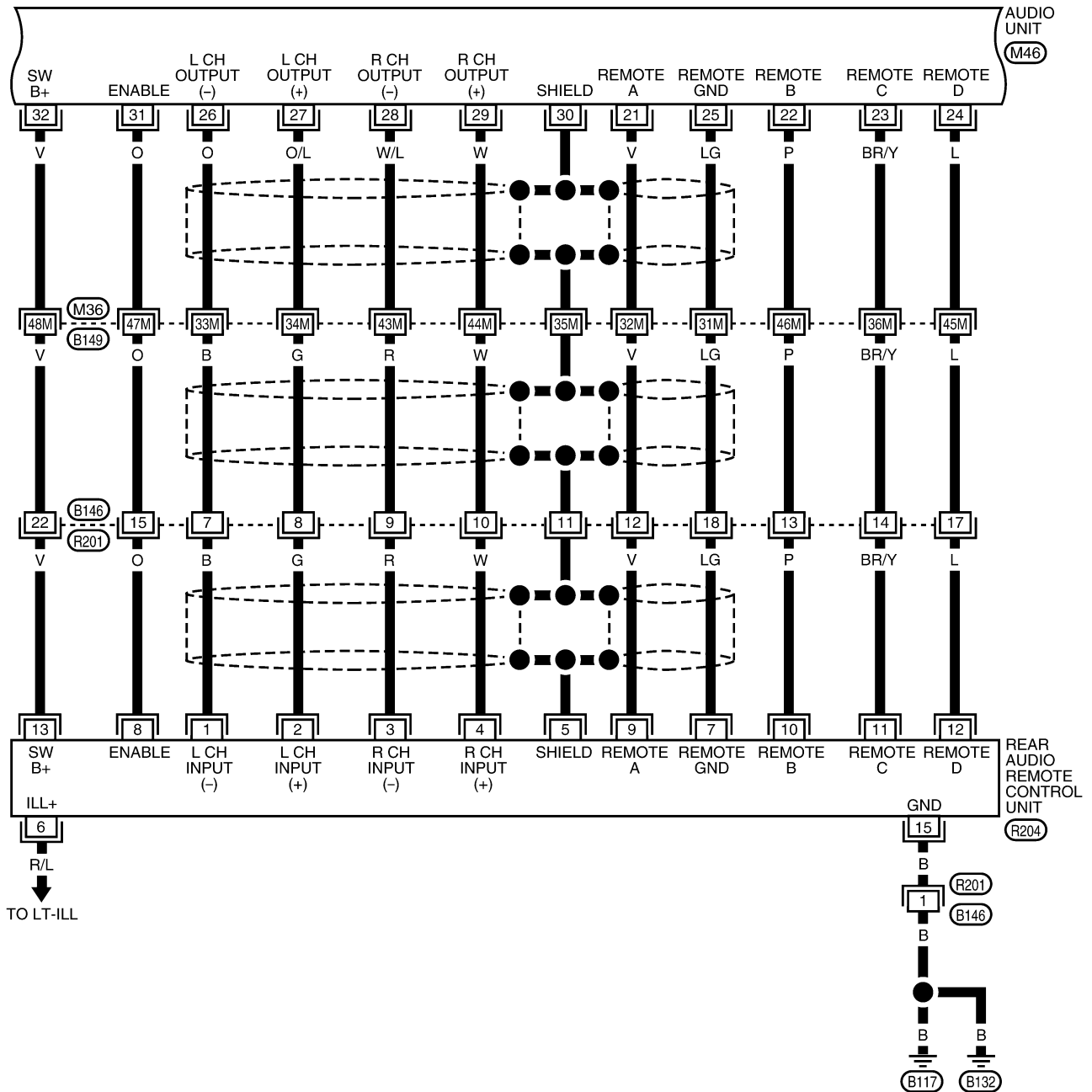
## AV-AUDIO-06



WKWA3438E

# AUDIO

## AV-AUDIO-07

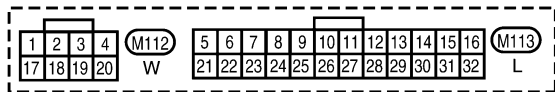
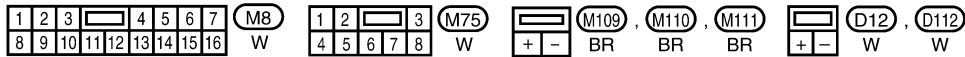
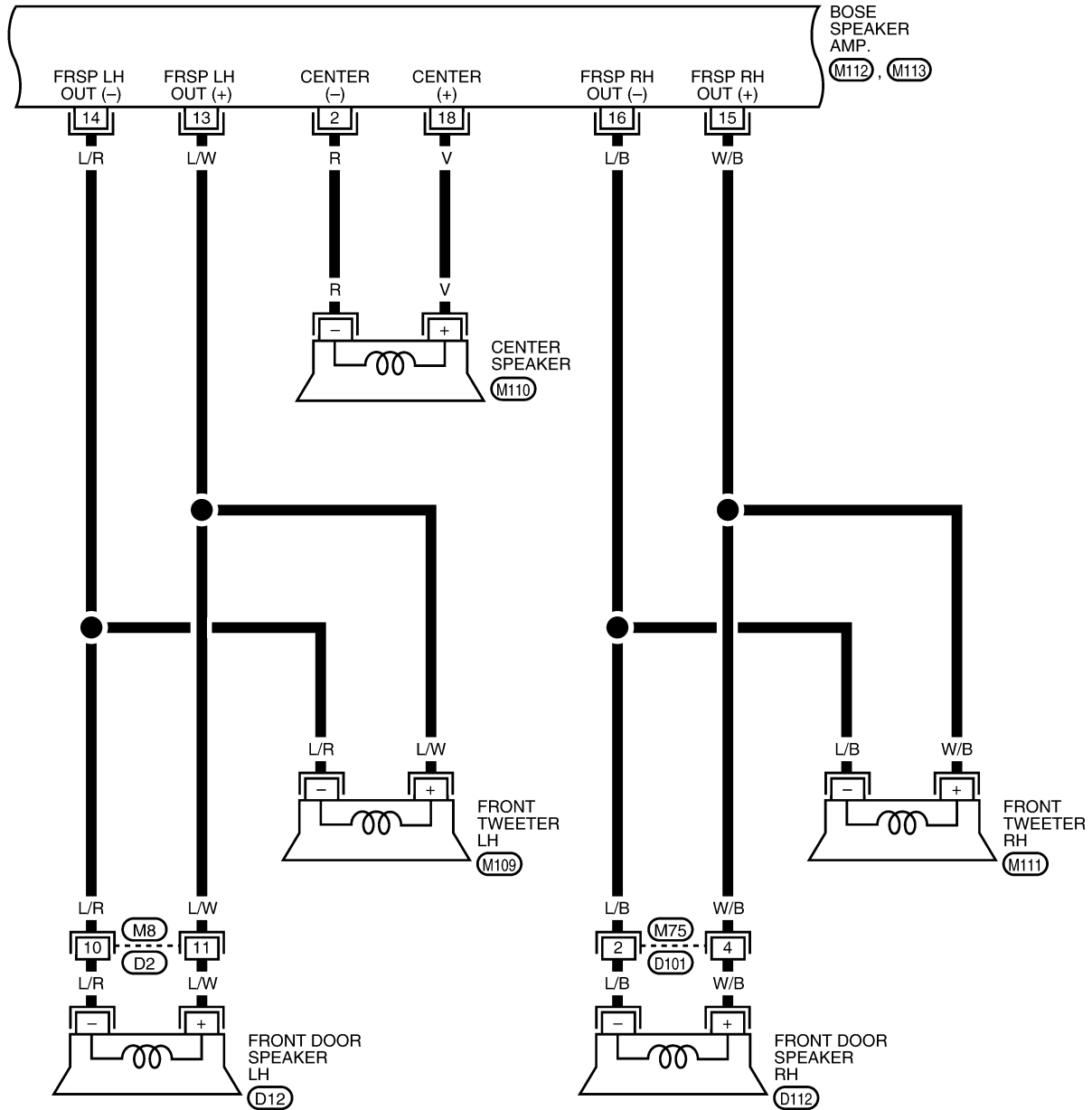


REFER TO THE FOLLOWING.  
**(M36)** - SUPER MULTIPLE JUNCTION (SMJ)

WKWA2274E

# AUDIO

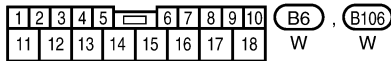
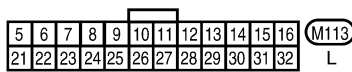
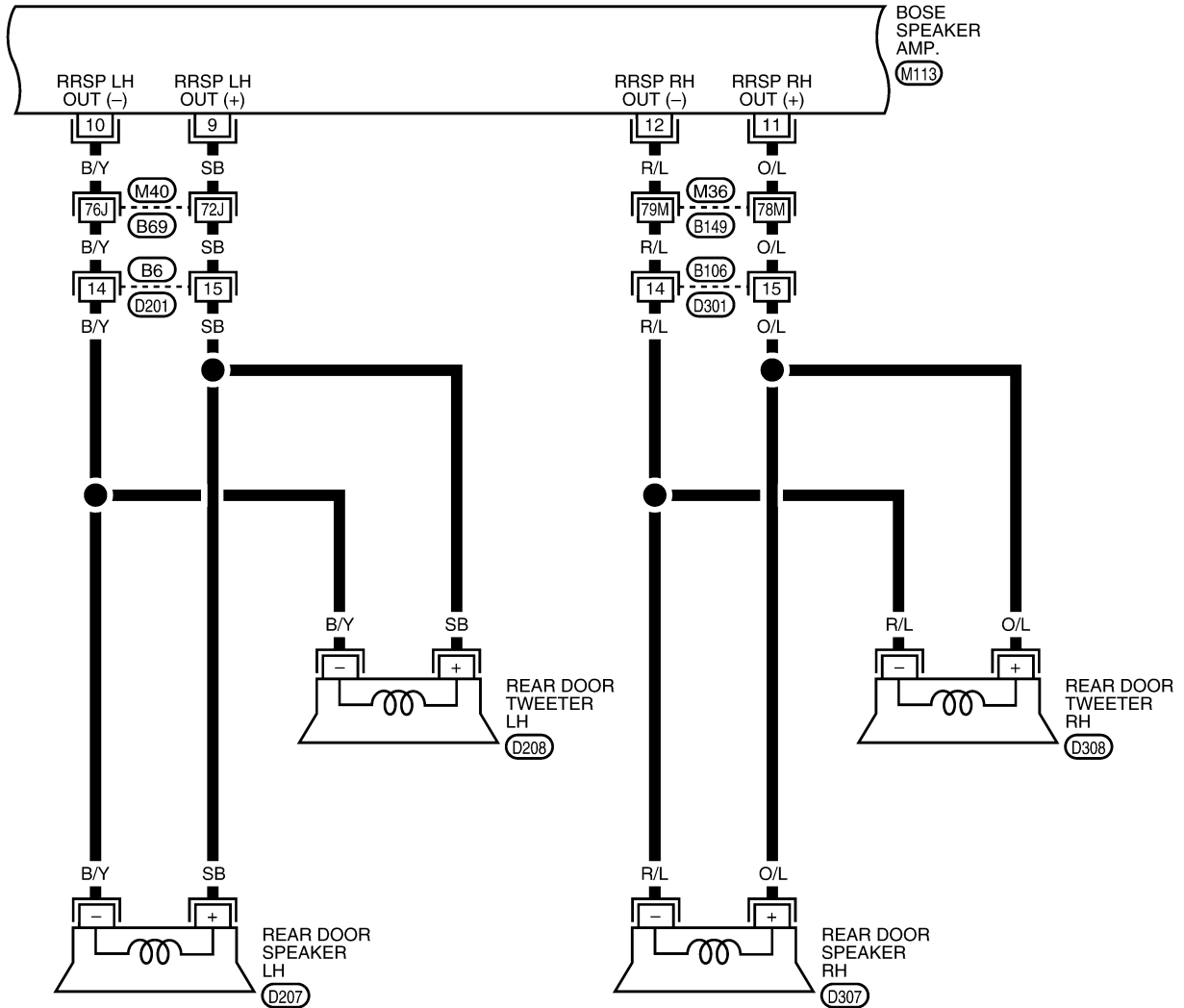
AV-AUDIO-08



WKWA2277E

# AUDIO

AV-AUDIO-09

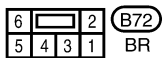
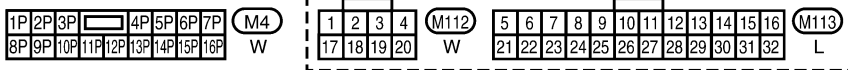
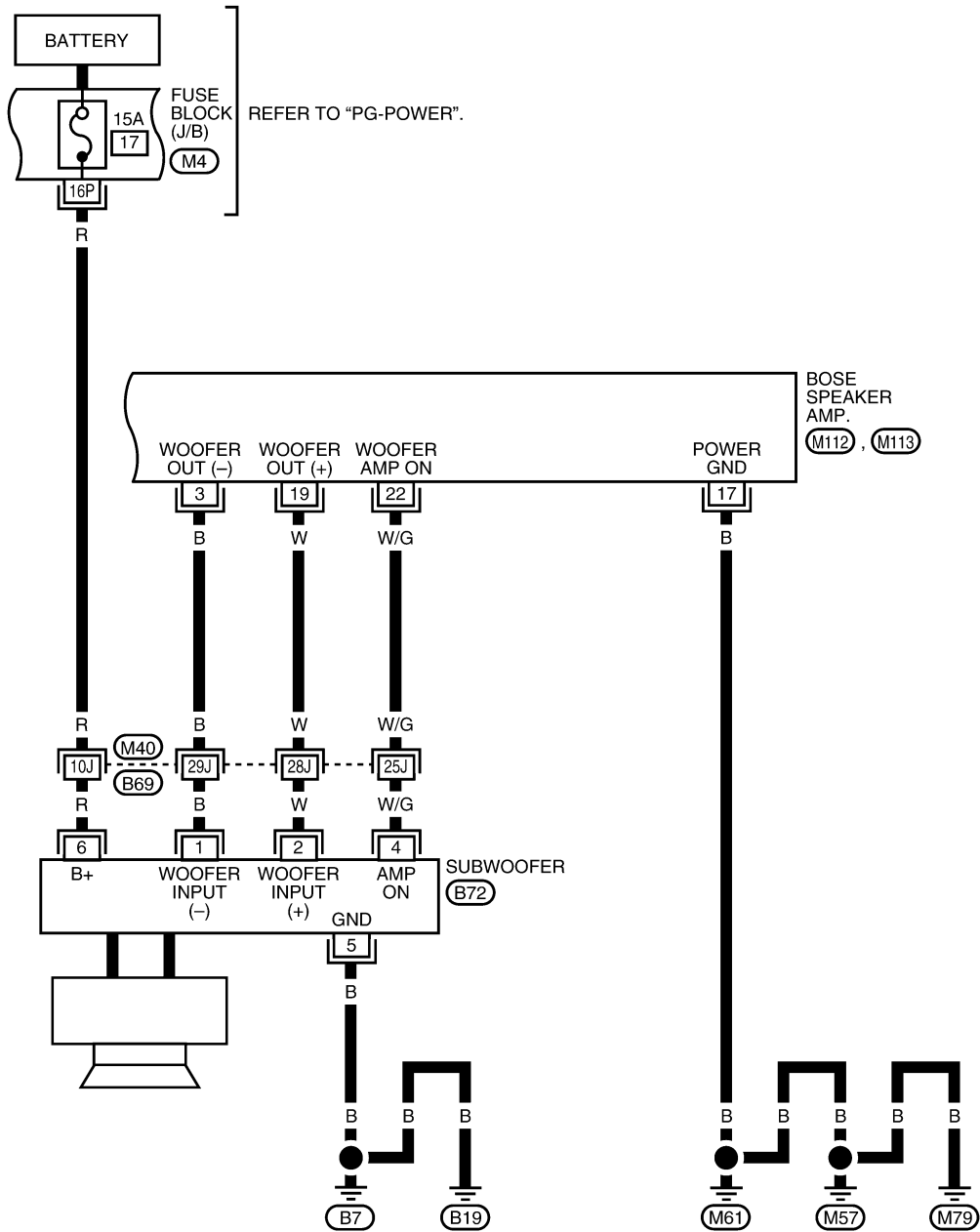


REFER TO THE FOLLOWING.  
 (M36), (M40) - SUPER  
 MULTIPLE JUNCTION (SMJ)

WKWA3815E

# AUDIO

## AV-AUDIO-10



REFER TO THE FOLLOWING.  
 M40 - SUPER MULTIPLE JUNCTION (SMJ)

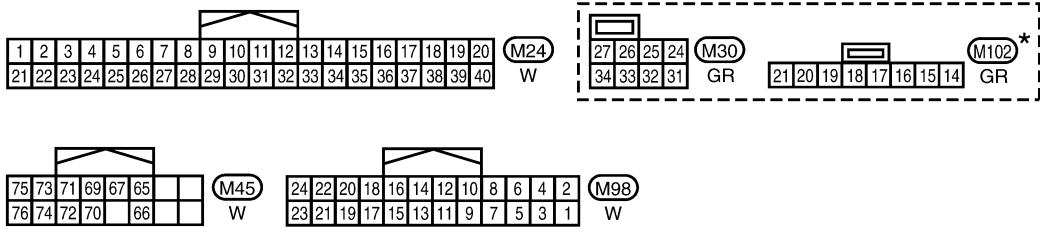
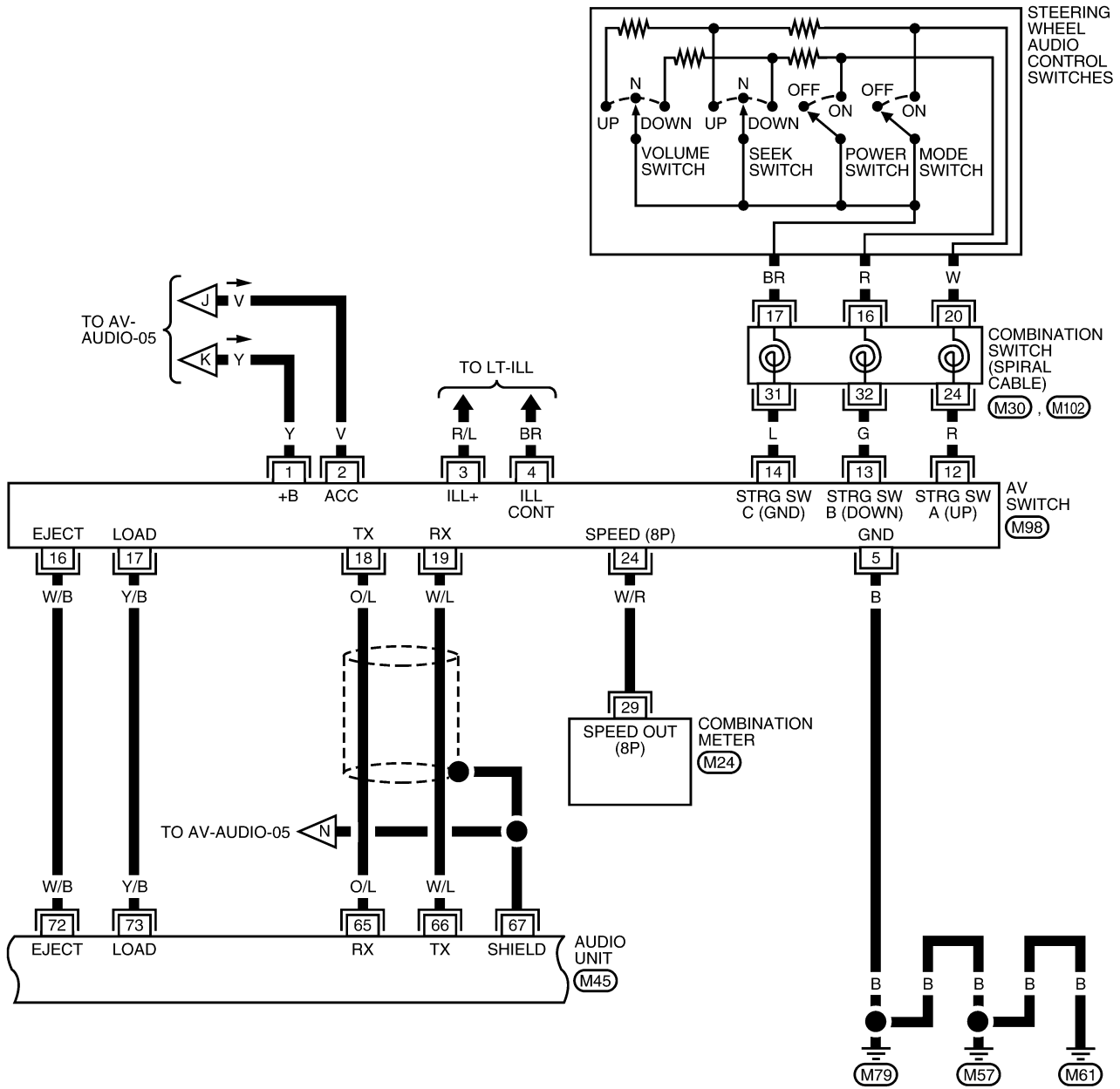
WKWA3816E



# AUDIO

WITHOUT NAVI

AV-AUDIO-11



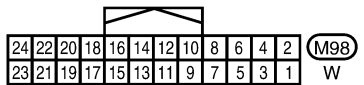
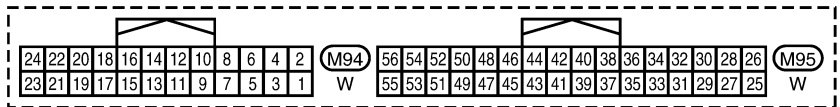
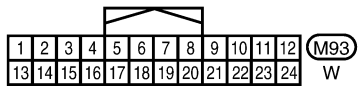
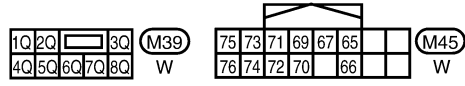
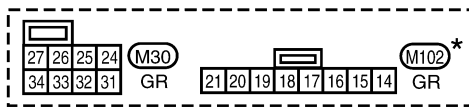
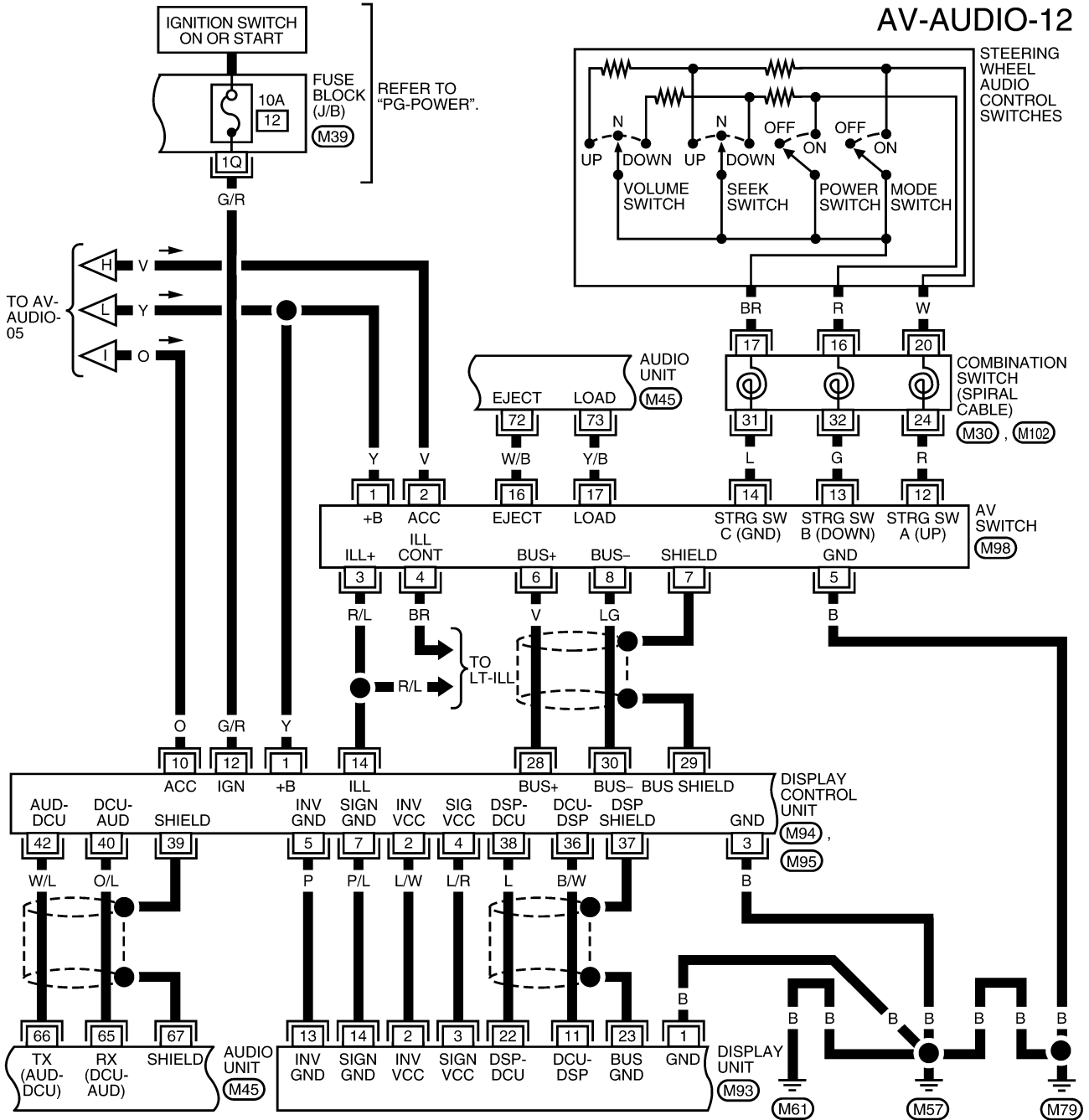
\*: THIS CONNECTOR IS NOT SHOWN IN "HARNESS LAYOUT" OF PG SECTION.

WKWA3439E

# AUDIO

WITH NAVI

AV-AUDIO-12

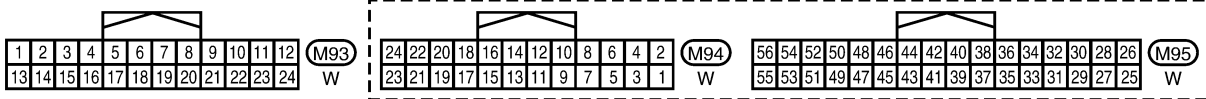
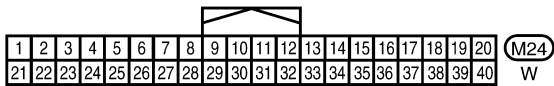
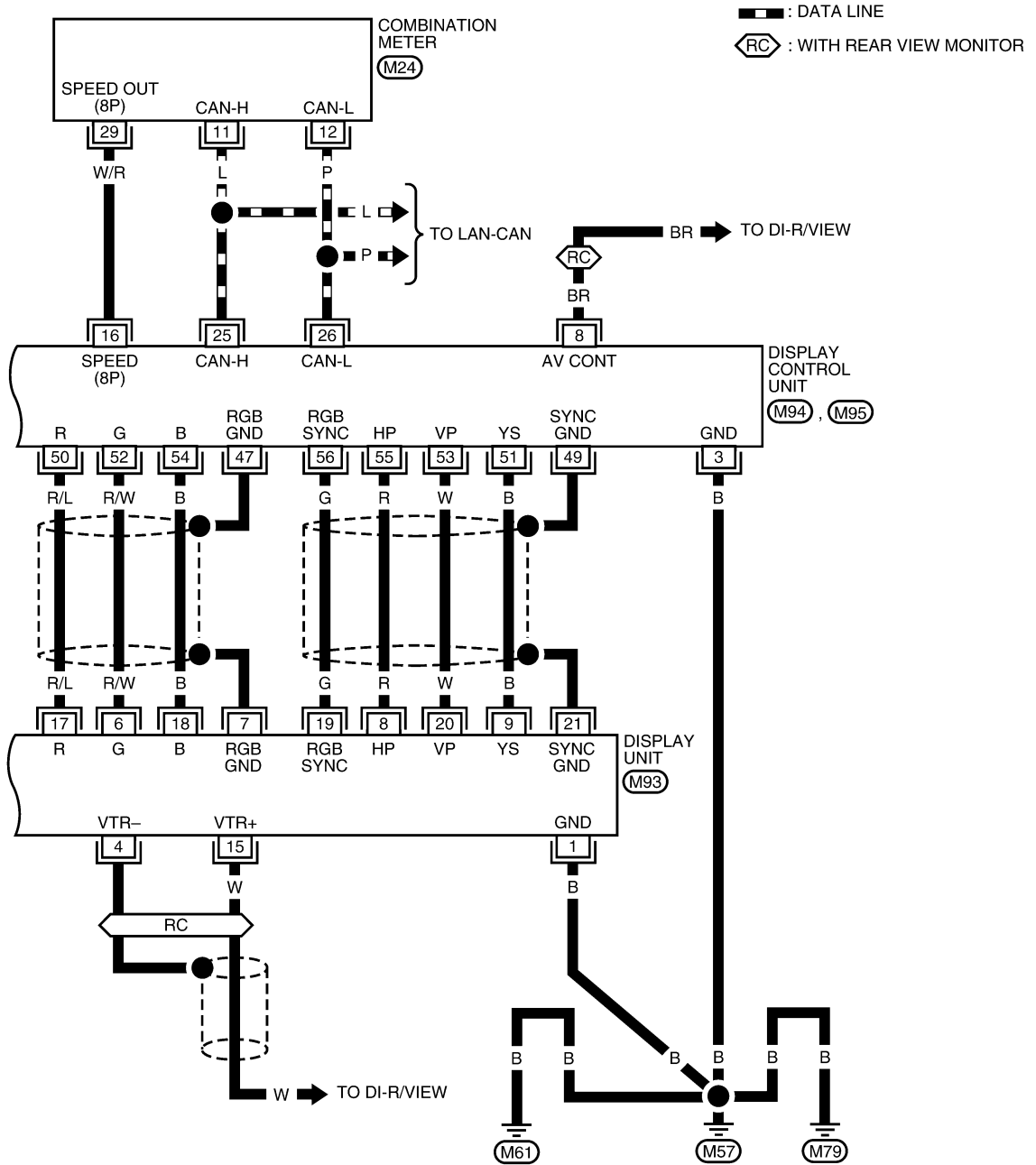


\*: THIS CONNECTOR IS NOT SHOWN IN "HARNESS LAYOUT" OF PG SECTION.

WKWA3440E

# AUDIO



## AV-AUDIO-13

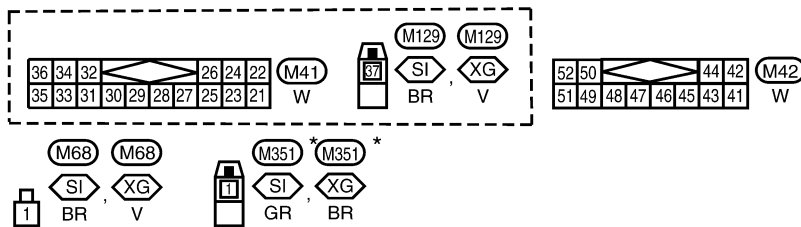
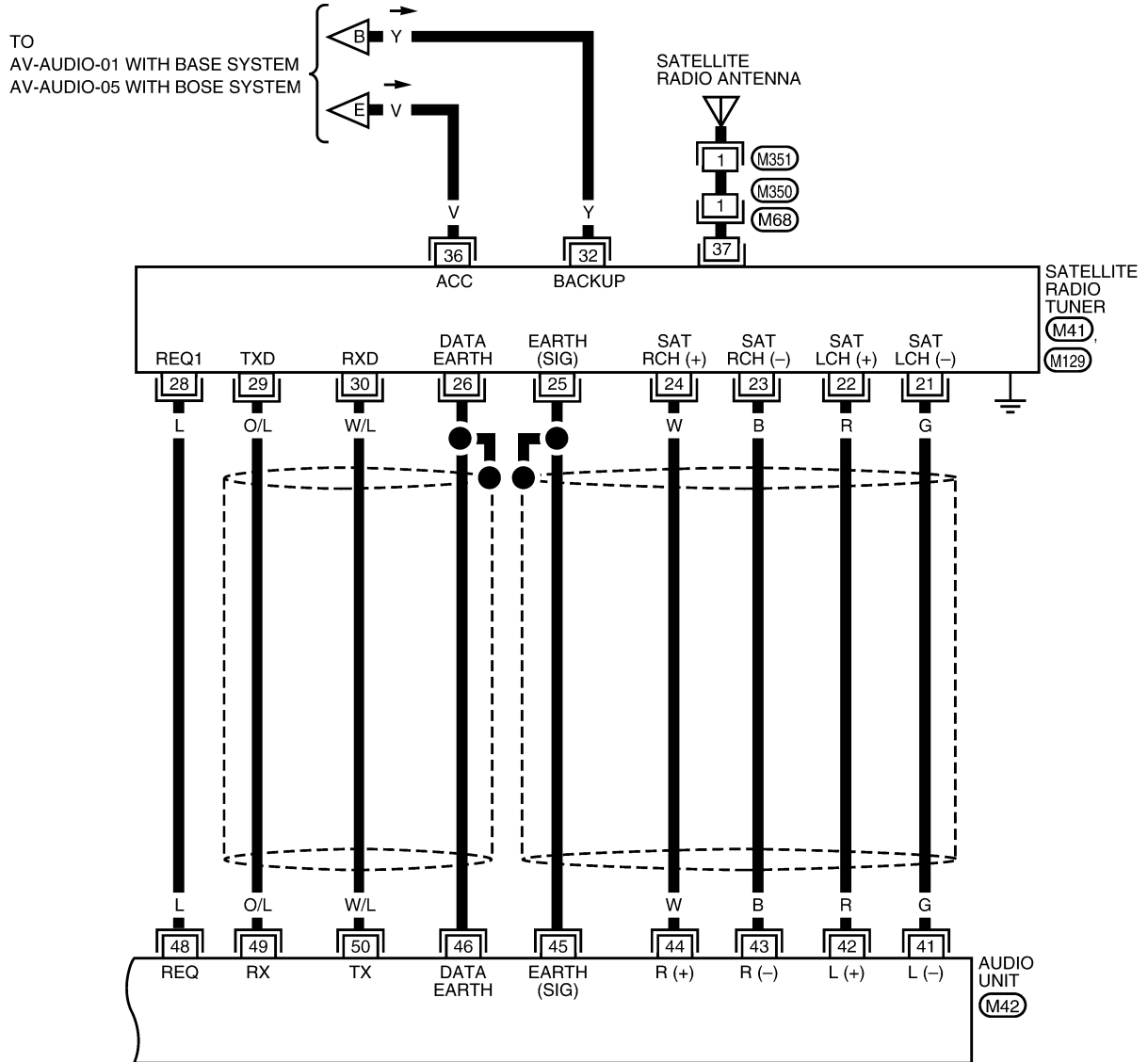


WKWA2283E

# AUDIO

## AV-AUDIO-14

-  : WITH SIRIUS SATELLITE RADIO TUNER
-  : WITH XM SATELLITE RADIO TUNER

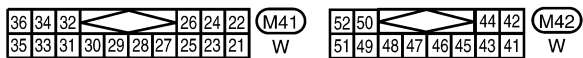
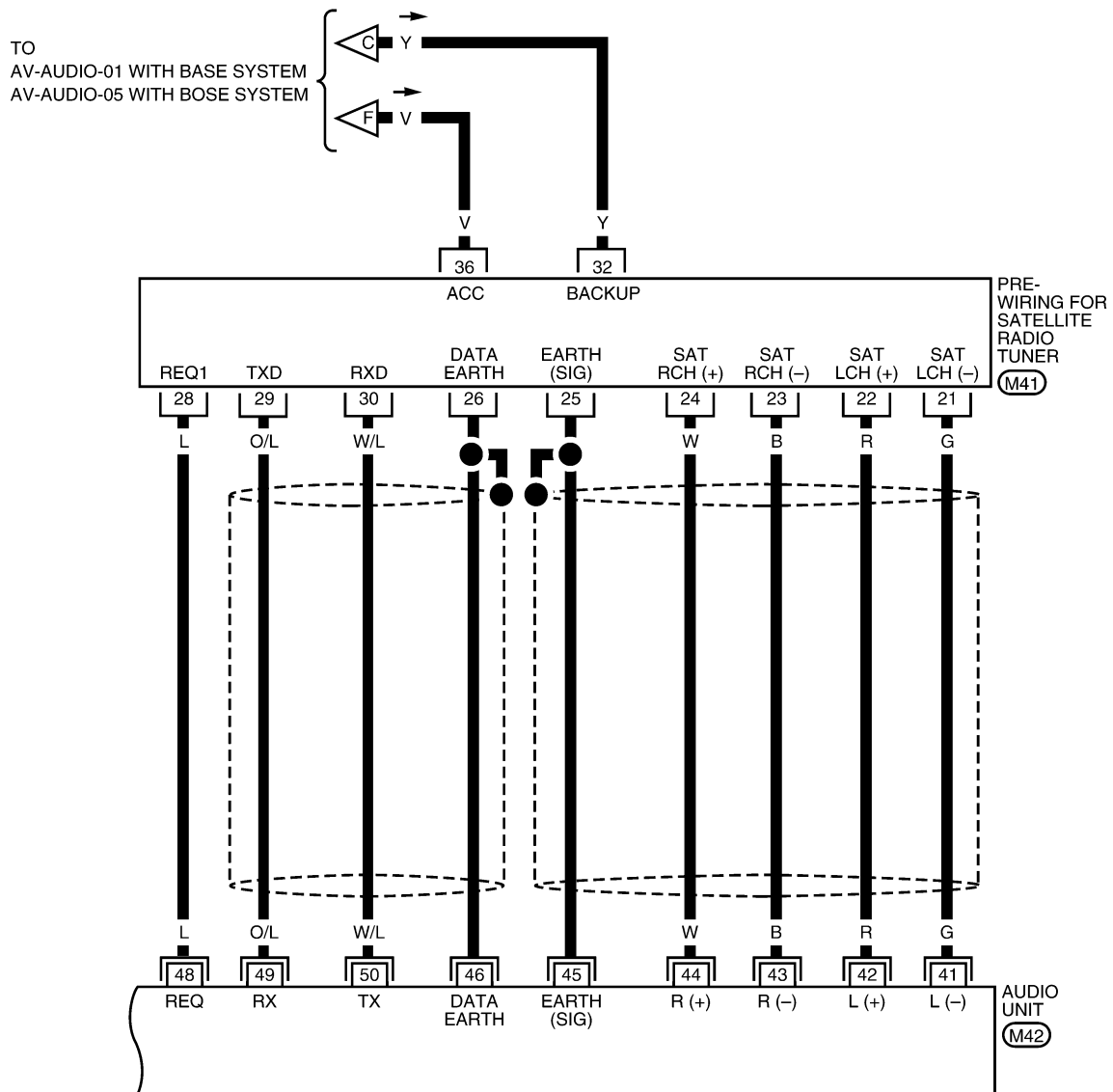


\*: THIS CONNECTOR IS NOT SHOWN IN "HARNESS LAYOUT" OF PG SECTION.

WKWA3441E

# AUDIO

## AV-AUDIO-15

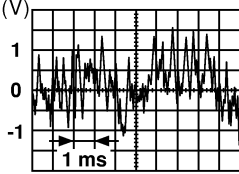
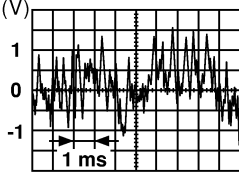
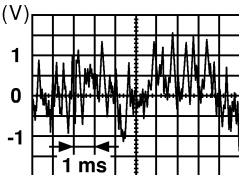
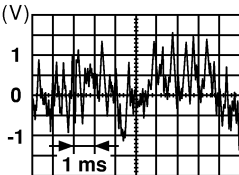


WKWA3442E

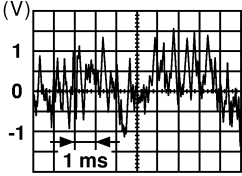
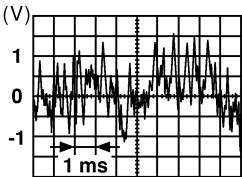
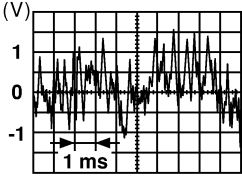
# AUDIO

## Terminals and Reference Value for Audio Unit for Base System

EKS00B38

Terminal (Wire color)		Item	Signal input/ output	Condition		Reference value (Approx.)	Example of symptom
+	-			Ignition switch	Operation		
2 (L/W)	1 (L/R)	Audio sound signal front LH	Output	ON	Receive audio signal	 <small>SKIA0177E</small>	No sound from front door speaker LH or tweeter LH.
4 (W/B)	3 (L/B)	Audio sound signal front RH	Output	ON	Receive audio signal	 <small>SKIA0177E</small>	No sound from front door speaker RH or tweeter RH.
5 (G/W)	Ground	Antenna signal	Output	ON	-	More than 10V	Poor radio reception.
6 (Y)	Ground	Battery power	Input	-	-	Battery voltage	System does not work properly.
7 (BR)	Ground	Illumination control sig- nal	Input	ON	Illumination control switch is operated by lighting switch in 1st position.	Changes between 0 and 12V	Audio unit illumina- tion cannot be con- trolled.
8 (R/L)	Ground	Illumination signal	Input	OFF	Lighting switch is in 1st posi- tion.	Battery voltage	Audio unit illumina- tion does not come on when lighting switch is in 1st posi- tion.
					Lighting switch is OFF.	3V or less	
10 (V)	Ground	ACC signal	Input	ON	Ignition switch ACC or ON	Battery voltage	System does not work properly.
14 (SB)	13 (B/Y)	Audio sound signal rear LH	Output	ON	Receive audio signal	 <small>SKIA0177E</small>	No sound from rear door speaker LH or rear door tweeter LH.
16 (O/L)	15 (R/L)	Audio sound signal rear RH	Output	ON	Receive audio signal	 <small>SKIA0177E</small>	No sound from rear door speaker RH or rear door tweeter RH.
21 (V)	Ground	Remote control A	Output	ON	Audio unit ON	5V	Rear audio remote control unit does not operate properly.

# AUDIO

Terminal (Wire color)		Item	Signal input/ output	Condition		Reference value (Approx.)	Example of symptom
+	-			Ignition switch	Operation		
22 (P)	Ground	Remote control B	Output	ON	Audio unit ON	5V	Rear audio remote control unit does not operate properly.
23 (BR/Y)	Ground	Remote control C	Output	ON	Audio unit ON	5V	Rear audio remote control unit does not operate properly.
24 (L)	Ground	Remote control D	Output	ON	Audio unit ON	5V	Rear audio remote control unit does not operate properly.
25 (LG)	-	Remote control ground	-	-	-	0V	Rear audio remote control unit switches do not function.
27 (O/L)	26 (O)	Audio sound signal LH	Output	ON	Receive audio signal	 SKIA0177E	No sound from LH headphone channel.
29 (W)	28 (W/L)	Audio sound signal RH	Output	ON	Receive audio signal	 SKIA0177E	No sound from RH headphone channel.
30	-	Shield	-	-	-	0V	Interference and distortion heard from headphones or rear audio remote control unit switches not operating properly.
31 (O)	Ground	Remote control enable signal	Output	ON	Audio unit ON	5V	Rear audio remote control unit does not operate.
32 (V)	Ground	Remote control switch power supply	Output	ON	Audio unit ON	12V	Rear audio remote control unit does not operate.
42 (R)	41 (G)	Audio left channel sound signal from satellite radio tuner	Input	ON	Receive audio signal	 SKIA0177E	No sound from satellite radio tuner left channel.

A

B

C

D

E

F

G

H

I

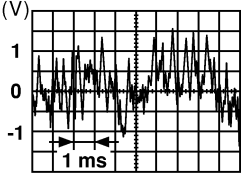
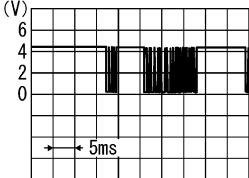
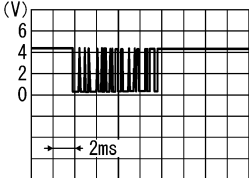
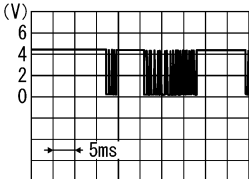
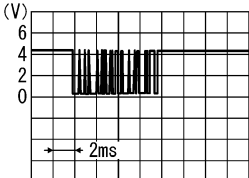
J

AV

L

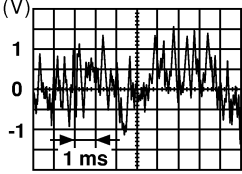
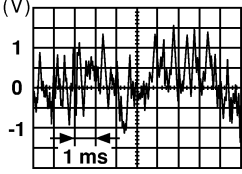
M

# AUDIO

Terminal (Wire color)		Item	Signal input/ output	Condition		Reference value (Approx.)	Example of symptom
+	-			Ignition switch	Operation		
44 (W)	43 (B)	Audio right channel sound signal from satellite radio tuner	Input	ON	Receive audio signal	 SKIA0177E	No sound from satellite radio tuner right channel.
45	-	Shield ground (audio signal)	-	-	-	-	-
46	-	Shield ground (data)	-	-	-	-	-
48 (L)	Ground	Satellite radio tuner request to audio unit	Input	ON	Turn audio unit ON	5V	Satellite radio tuner does not operate properly.
49 (O/L)	Ground	Audio RX	Input	ON	Operate audio volume	 SKIA4403E	Satellite radio tuner audio information does not display properly.
50 (W/L)	Ground	Audio TX	Output	ON	Operate audio volume	 SKIA4402E	Satellite radio tuner audio information does not display properly.
65 (O/L)	Ground	Audio RX	Input	ON	Operate audio volume	 SKIA4403E	Audio information does not display properly.
66 (W/L)	Ground	Audio TX	Output	ON	Operate audio volume	 SKIA4402E	Audio information does not display properly.
67	-	Shield	-	-	-	0V	Interference and distortion heard from speakers.
72 (W/B)	Ground	CD eject signal	Input	ON	Operate EJECT button	0V → 5V	CD will not eject from audio unit.

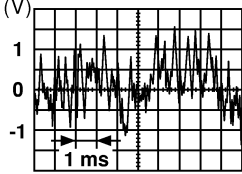
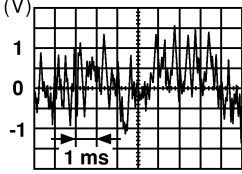


# AUDIO

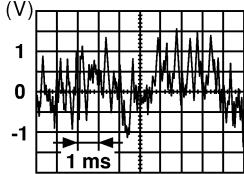
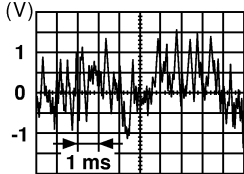
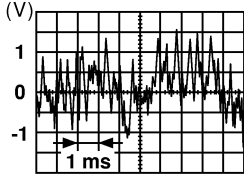
Terminal (Wire color)		Item	Signal input/ output	Condition		Reference value (Approx.)	Example of symptom
+	-			Ignition switch	Operation		
73 (Y/B)	Ground	CD load signal	Input	ON	Operate LOAD button	0V → 5V	CD will not load into audio unit.
74 (W)	Ground	Auxiliary audio input RH (+)	Input	ON	Receive audio signal (AUX input)	 SKIA0177E	No sound from auxiliary audio source right channel.
75 (R)	Ground	Auxiliary audio input LH (+)	Input	ON	Receive audio signal (AUX input)	 SKIA0177E	No sound from auxiliary audio source left channel.
76 (B)	-	Common (-)	-	-	-	0V	Interference and distortion heard from speakers.

## Terminals and Reference Value for Audio Unit for BOSE System

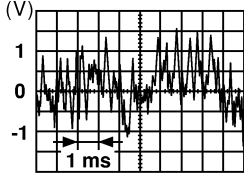
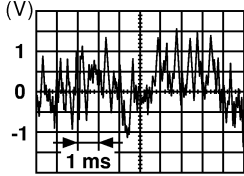
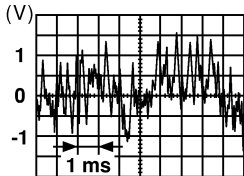
EKS00B39

Terminal (Wire color)		Item	Signal input/ output	Condition		Reference value (Approx.)	Example of symptom
+	-			Ignition switch	Operation		
2 (W)	1 (B)	Audio sound signal front LH	Output	ON	Receive audio signal	 SKIA0177E	No sound from front door speaker LH or tweeter LH.
4 (Y)	3 (BR)	Audio sound signal front RH	Output	ON	Receive audio signal	 SKIA0177E	No sound from front door speaker RH or tweeter RH.
5 (G/W)	Ground	Antenna signal	Output	ON	-	More than 10V	Poor radio reception.
6 (Y)	Ground	Battery power	Input	-	-	Battery voltage	System does not work properly.
7 (BR)	Ground	Illumination control signal	Input	ON	Illumination control switch is operated by lighting switch in 1st position.	Changes between 0 and 12V	Audio unit illumination cannot be controlled.

# AUDIO

Terminal (Wire color)		Item	Signal input/ output	Condition		Reference value (Approx.)	Example of symptom
+	-			Ignition switch	Operation		
8 (R/L)	Ground	Illumination signal	Input	OFF	Lighting switch is in 1st position.	Battery voltage	Audio unit illumina- tion does not come on when lighting switch is in 1st posi- tion.
					Lighting switch is OFF.	3V or less	
9	-	Shield	-	-	-	0V	Interference and dis- tortion heard from speakers.
10 (V)	Ground	ACC signal	Input	ON	-	Battery voltage	System does not work properly.
12 (G/W)	Ground	Amp. ON signal	Output	ON	-	More than 6.5V	Amp. does not work properly.
14 (BR)	13 (B/R)	Audio sound signal rear LH	Output	ON	Receive audio signal	 SKIA0177E	No sound from rear door speaker LH or rear door tweeter LH.
16 (L)	15 (B/W)	Audio sound signal rear RH	Output	ON	Receive audio signal	 SKIA0177E	No sound from rear door speaker RH or rear door tweeter RH.
21 (V)	Ground	Remote control A	Output	ON	Audio unit ON	5V	Rear audio remote control unit does not operate properly.
22 (P)	Ground	Remote control B	Output	ON	Audio unit ON	5V	Rear audio remote control unit does not operate properly.
23 (BR/Y)	Ground	Remote control C	Output	ON	Audio unit ON	5V	Rear audio remote control unit does not operate properly.
24 (L)	Ground	Remote control D	Output	ON	Audio unit ON	5V	Rear audio remote control unit does not operate properly.
25 (LG)	-	Remote control ground	-	-	-	0V	Rear audio remote control switches do not function.
27 (O/L)	26 (O)	Audio sound signal LH	Output	ON	Receive audio signal	 SKIA0177E	No sound from LH headphone channel.

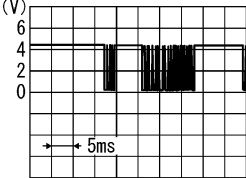
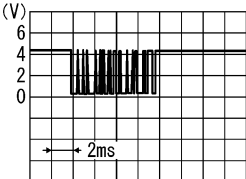
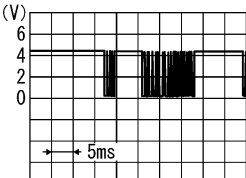
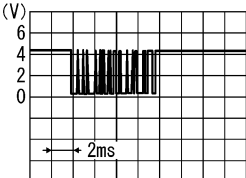
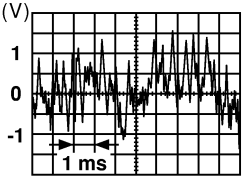
# AUDIO

Terminal (Wire color)		Item	Signal input/ output	Condition		Reference value (Approx.)	Example of symptom
+	-			Ignition switch	Operation		
29 (W)	28 (W/L)	Audio sound signal RH	Output	ON	Receive audio signal	 SKIA0177E	No sound from RH headphone channel.
30	-	Shield	-	-	-	0V	Interference and dis- tortion heard from headphones or rear audio remote control unit switches not operating properly.
31 (O)	Ground	Remote control enable sig- nal	Output	ON	Audio unit ON	5V	Rear audio remote control unit does not operate.
32 (V)	Ground	Remote control switch power sup- ply	Output	ON	Audio unit ON	12V	Rear audio remote control unit does not operate.
42 (R)	41 (G)	Audio left channel sound sig- nal from sat- ellite radio tuner	Input	ON	Receive audio signal	 SKIA0177E	No sound from satel- lite radio tuner left channel.
44 (W)	43 (B)	Audio right channel sound sig- nal from sat- ellite radio tuner	Input	ON	Receive audio signal	 SKIA0177E	No sound from satel- lite radio tuner right channel.
45	-	Shield ground (audio sig- nal)	-	-	-	-	-
46	-	Shield ground (data)	-	-	-	-	-
48 (L)	Ground	Satellite radio tuner request to audio unit	Input	ON	Turn audio unit ON	5V	Satellite radio tuner does not operate properly.

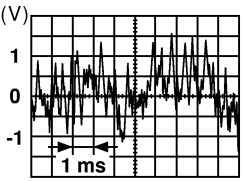
A  
B  
C  
D  
E  
F  
G  
H  
I  
J  
K  
L  
M

AV

# AUDIO

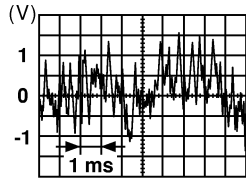
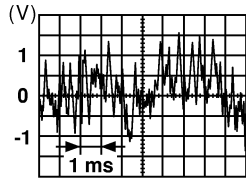
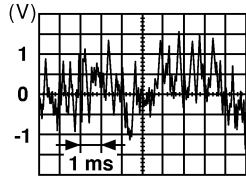
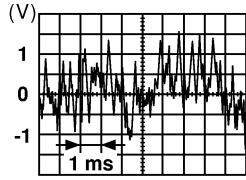
Terminal (Wire color)		Item	Signal input/ output	Condition		Reference value (Approx.)	Example of symptom
+	-			Ignition switch	Operation		
49 (O/L)	Ground	Audio RX	Input	ON	Operate audio volume	 SKIA4403E	Satellite radio tuner audio information does not display properly.
50 (W/L)	Ground	Audio TX	Output	ON	Operate audio volume	 SKIA4402E	Satellite radio tuner audio information does not display properly.
65 (O/L)	Ground	Audio RX	Input	ON	Operate audio volume	 SKIA4403E	Audio does not operate properly.
66 (W/L)	Ground	Audio TX	Output	ON	Operate audio volume	 SKIA4402E	Audio does not operate properly.
67	-	Shield	-	ON	-	0V	Interference and distortion heard from speakers.
72 (W/B)	Ground	CD eject signal	Input	ON	Operate EJECT button	0V → 5V	CD will not eject from audio unit.
73 (Y/B)	Ground	CD load signal	Input	ON	Operate LOAD button	0V → 5V	CD will not load into audio unit.
74 (W)	Ground	Auxiliary audio input RH (+)	Input	ON	Receive audio signal (AUX input)	 SKIA0177E	No sound from auxiliary audio source right channel.

# AUDIO

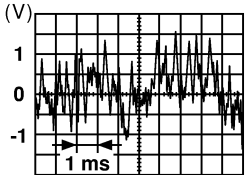
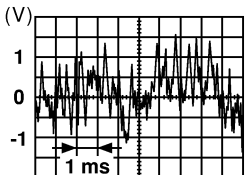
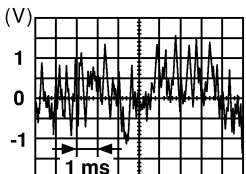
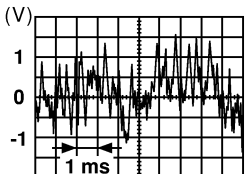
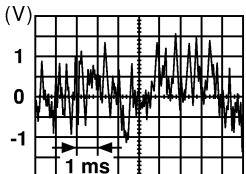
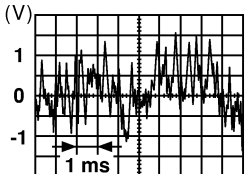
Terminal (Wire color)		Item	Signal input/ output	Condition		Reference value (Approx.)	Example of symptom
+	-			Ignition switch	Operation		
75 (R)	Ground	Auxiliary audio input LH (+)	Input	ON	Receive audio signal (AUX input)	 SKIA0177E	No sound from auxiliary audio source left channel.
76 (B)	-	Common (-)	-	-	-	0V	Interference and distortion heard from speakers.

## Terminals and Reference Value for BOSE Speaker Amp.

EKS00B3A

Terminal (wire color)		Item	Signal input/ output	Condition		Reference value (Approx.)	Example of symptom
+	-			Ignition switch	Operation		
1 (Y)	Ground	Battery	Input	-	-	Battery voltage	System does not work properly.
9 (SB)	10 (B/Y)	Rear door speaker LH and rear door tweeter LH	Output	ON	Receive audio signal	 SKIA0177E	No sound from rear door speaker LH or rear door tweeter LH.
11 (O/L)	12 (R/L)	Rear door speaker RH and rear door tweeter RH	Output	ON	Receive audio signal	 SKIA0177E	No sound from rear door speaker RH or rear door tweeter RH.
13 (L/W)	14 (L/R)	Front door speaker LH and front tweeter LH	Output	ON	Receive audio signal	 SKIA0177E	No sound from front door speaker LH or front tweeter LH.
15 (W/B)	16 (L/B)	Front door speaker RH and front tweeter RH	Output	ON	Receive audio signal	 SKIA0177E	No sound from front door speaker RH or front tweeter RH.
17 (B)	Ground	Ground	-	ON	-	-	-

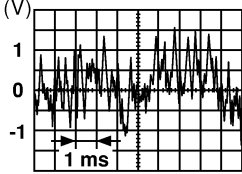
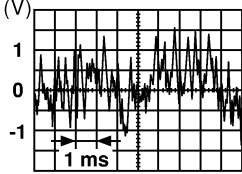
# AUDIO

Terminal (wire color)		Item	Signal input/ output	Condition		Reference value (Approx.)	Example of symptom
+	-			Ignition switch	Operation		
18 (V)	2 (R)	Center speaker	Output	ON	Receive audio signal	 SKIA0177E	No sound from center speaker.
19 (W)	3 (B)	Subwoofer	Output	ON	Receive audio signal	 SKIA0177E	No sound from subwoofer.
22 (W/G)	Ground	Subwoofer ON signal	Input	ON	-	More than 6.5V	Subwoofer does not work properly.
24 (L)	23 (B/W)	Audio sound signal rear RH	Input	ON	Receive audio signal	 SKIA0177E	No sound from rear door speaker RH or rear door tweeter RH.
26 (BR)	25 (B/R)	Audio sound signal rear LH	Input	ON	Receive audio signal	 SKIA0177E	No sound from rear door speaker LH or rear door tweeter LH.
28 (Y)	27 (BR)	Audio sound signal front RH	Input	ON	Receive audio signal	 SKIA0177E	No sound from front door speaker RH or front tweeter RH.
30 (W)	29 (B)	Audio sound signal front LH	Input	ON	Receive audio signal	 SKIA0177E	No sound from front door speaker LH or front tweeter LH.
31 (G/W)	Ground	Amp. ON sig- nal	Input	ON	-	More than 6.5V	System does not work properly.

# AUDIO

## Terminals and Reference Value for Rear Audio Remote Control Unit

EKS00B3B

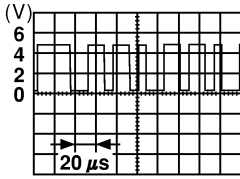
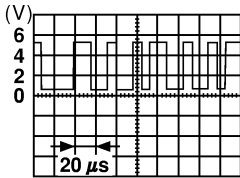
Terminal (Wire color)		Item	Signal input/ output	Condition		Reference value (Approx.)	Example of symptom
+	-			Ignition switch	Operation		
2 (G)	1 (B)	Audio sound signal LH	Input	ON	Receive audio signal	 <p style="text-align: right; font-size: small;">SKIA0177E</p>	No sound from LH headphone channel.
4 (W)	3 (R)	Audio sound signal RH	Input	ON	Receive audio signal	 <p style="text-align: right; font-size: small;">SKIA0177E</p>	No sound from RH headphone channel.
5	-	Shield	-	-	-	0V	Interference and dis- tortion heard from headphones or rear audio remote control unit switches not operating properly.
6 (R/L)	Ground	Illumination	Input	ON	Lighting switch ON	12V	Rear audio remote control unit does not illuminate.
					Lighting switch OFF	0V	
7 (LG)	-	Remote control ground	-	-	-	0V	Rear audio remote control unit switches do not function.
8 (O)	Ground	Remote control enable sig- nal	Input	ON	Audio unit ON	5V	Rear audio remote control unit does not operate.
9 (V)	Ground	Remote control A	Input	ON	Audio unit ON	5V	Rear audio remote control unit does not operate properly.
10 (P)	Ground	Remote control B	Input	ON	Audio unit ON	5V	Rear audio remote control unit does not operate properly.
11 (BR/Y)	Ground	Remote control C	Input	ON	Audio unit ON	5V	Rear audio remote control unit does not operate properly.
12 (L)	Ground	Remote control D	Input	ON	Audio unit ON	5V	Rear audio remote control unit does not operate properly.
13 (V)	Ground	Remote control switch power sup- ply	Input	ON	Audio unit ON	12V	Rear audio remote control does not operate.
15 (B)	-	Ground	-	ON	-	0V	-

A  
B  
C  
D  
E  
F  
G  
H  
I  
J  
AV  
L  
M

# AUDIO

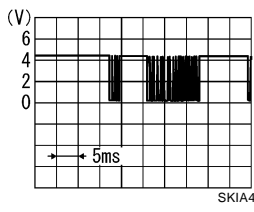
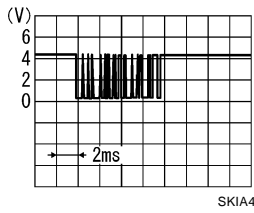
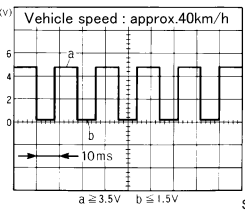
## Terminals and Reference Value for AV Switch

EKS00B3C

Terminal No. (Wire color)		Item	Signal input/ output	Condition		Voltage (Approx.)	Example of symptom
+	-			Ignition switch	Operation		
1 (Y)	Ground	Battery power	Input	OFF	-	Battery voltage	System does not work properly.
2 (V)	Ground	ACC signal	Input	ACC	-	Battery voltage	System does not work properly.
3 (R/L)	Ground	Illumination signal	Input	OFF	Lighting switch is ON (position 1).	Battery voltage	AV switch illumination does not come on when lighting switch is ON (position 1).
					Turn lighting switch OFF.	Approx. 3.0V or less	
4 (BR)	Ground	Illumination control signal	Input	ON	Illumination control switch is operated by lighting switch in 1st position.	Changes between 0 and 12V.	AV switch illumination cannot be controlled.
5 (B)	Ground	Ground	-	ON	-	0V	-
6 (V) (with NAVI)	Ground	Communication signal (+)	Input/output	ON	-	 <small>SKIA0175E</small>	System does not work properly.
7 (with NAVI)	-	Shield ground	-	-	-	-	-
8 (LG) (with NAVI)	Ground	Communication signal (-)	Input/output	ON	-	 <small>SKIA0176E</small>	System does not work properly.
12 (R)	Ground	Remote control A	Input	ON	Press MODE switch	0V	Steering wheel audio controls do not function.
					Press SEEK UP switch	0.75V	
					Press VOL UP switch	2V	
					Except for above	5V	
13 (G)	Ground	Remote control B	Input	ON	Press POWER switch	0V	Steering wheel audio controls do not function.
					Press SEEK DOWN switch	0.75V	
					Press VOL DOWN switch	2V	
					Except for above	5V	
14 (L)	-	Remote control ground	-	-	-	-	Steering wheel audio controls do not function.
16 (W/B)	Ground	CD EJECT signal	Output	ON	Pressed	0V	CD eject does not function.
					Released	5V	

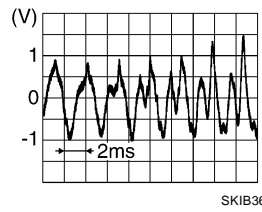
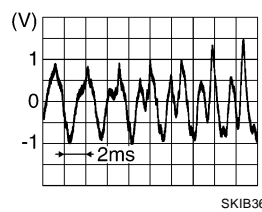


# AUDIO

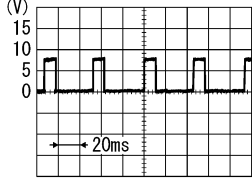
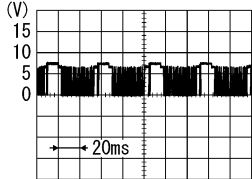
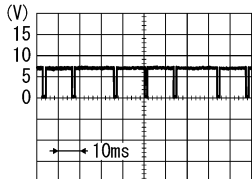
Terminal No. (Wire color)		Item	Signal input/output	Condition		Voltage (Approx.)	Example of symptom
				Ignition switch	Operation		
+	-						
17 (Y/B)	Ground	CD LOAD signal	Output	ON	Pressed Released	0V 5V	CD load does not function.
18 (O/L) (without NAVI)	Ground	Audio TX	Output	ON	Operate audio volume	 SKIA4403E	Audio information does not display properly.
19 (W/L) (without NAVI)	Ground	Audio RX	Input	ON	Operate audio volume	 SKIA4402E	Audio information does not display properly.
24 (W/R) (without NAVI)	Ground	Vehicle speed signal (8-pulse)	Input	ON	When vehicle speed is approx. 40 km/h (25 MPH)	 SKIA0168E	Speed sensitive volume is inoperative.

## Terminals and Reference Value for Satellite Radio Tuner

EKS00GA6

Terminal (Wire color)		Item	Signal input/output	Condition		Voltage (approx.)
				Ignition switch	Operation	
+	-					
22 (R)	21 (G)	Audio signal LH	Output	ON	Receive audio signal.	 SKIB3609E
24 (W)	23 (B)	Audio signal RH	Output	ON	Receive audio signal.	 SKIB3609E
25	-	Shield	-	-		-
26			ON	-		Approx. 0 V

# AUDIO

Terminal (Wire color)		Item	Signal input/ output	Condition		Voltage (approx.)
+	-			Ignition switch	Operation	
28 (L)	Ground	REQ1 (SAT-AUDIO)	Output	ON	Set to the satellite radio mode	 <small>SKIB3825E</small>
29 (O/L)	Ground	Communication signal (SAT-AUDIO)	Output	ON	Set to the satellite radio mode	 <small>SKIB3824E</small>
30 (W/L)	Ground	Communication signal (AUDIO-SAT)	Input	ON	Set to the satellite radio mode	 <small>SKIB3826E</small>
32 (Y)	Ground	Battery power supply	Input	OFF	-	Battery voltage
36 (V)		ACC power supply		ACC		
37	-	Antenna signal		-	-	-

# AUDIO

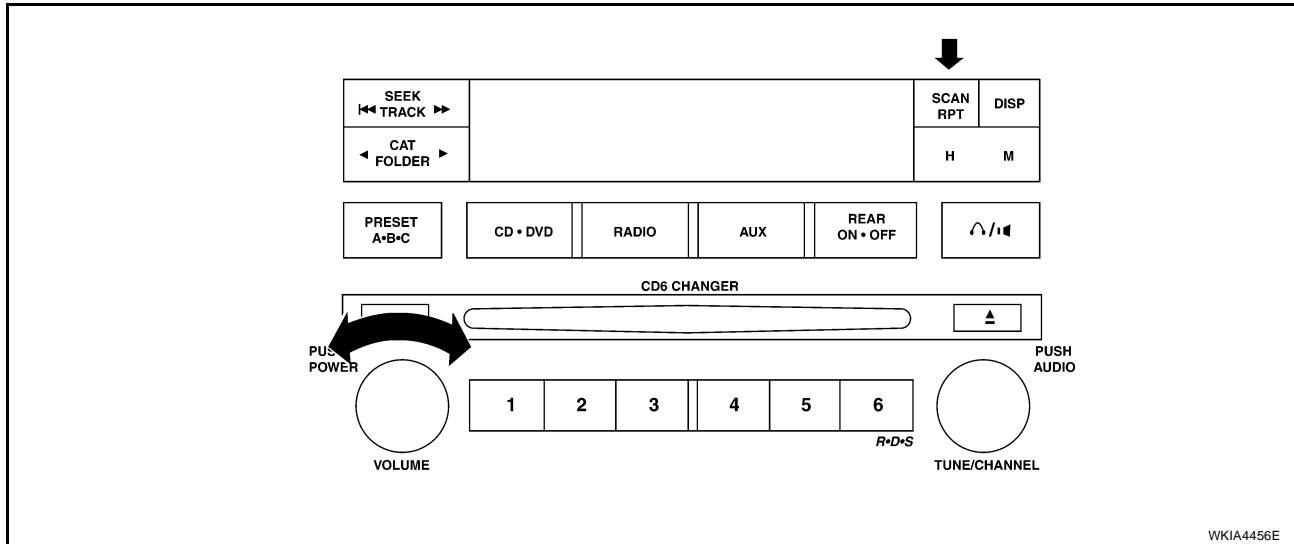
EKS00B3D

## AV Switch Self-Diagnosis Function

It can check ON/OFF operation of each switch in the AV switch and diagnose the input signals from the steering switch.

### STARTING THE SELF-DIAGNOSIS MODE (WITHOUT NAVI)

1. Turn ignition switch from OFF to ACC.
2. Press and hold the "SCAN RPT" switch and turn the volume control dial clockwise or counterclockwise for 30 clicks or more.



Then the self-diagnosis operates. A single beep indicates self-diagnosis mode is active.

3. Initially, all display segments will be illuminated.
4. Press each switch. When each switch is pressed, its name and communication code will be displayed.

#### NOTE:

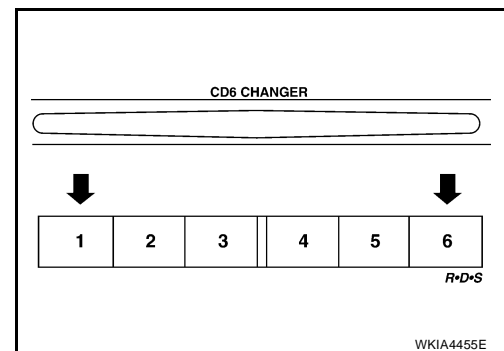
CD player LOAD and EJECT buttons are not included in this test and will not change the display when pressed.

### STARTING THE SELF-DIAGNOSIS MODE (WITH NAVI)

1. Turn ignition switch from OFF to ACC.
2. Within 10 seconds press and hold the switches "MEMORY 1" and "MEMORY 6" simultaneously for 3 seconds. Then the self-diagnosis operates. A single beep indicates self-diagnosis mode is active.
3. Press each switch and listen for beep.

#### NOTE:

CD player LOAD and EJECT buttons are not included in this test and will not beep when pressed.



### EXITING THE SELF-DIAGNOSIS MODE

Turn ignition switch OFF. Then the self-diagnosis ends.

### DIAGNOSIS FUNCTION

- It can check for continuity of the switches by sounding the beep when each AV switch and steering switch is pressed.
- It can check for continuity of harness between AV switch and steering switch.

# AUDIO

EKS00B3E

## Trouble Diagnosis

The majority of the audio concerns are the result of outside causes (bad CD, electromagnetic interference, etc.). Check the inspection items below to diagnose the malfunction.

### MALFUNCTION WITH RADIO AND CD (BASE SYSTEM)

Symptom	Possible cause
Inoperative	<ul style="list-style-type: none"> <li>● Audio unit power circuit check. Refer to <a href="#">AV-47, "Power Supply Circuit Inspection"</a> .</li> <li>● AV switch check. Refer to <a href="#">AV-55, "AV Switch Check"</a> .</li> </ul> If above check is OK, replace audio unit.
Steering switch does not operate	<ul style="list-style-type: none"> <li>● Steering switch check. Refer to <a href="#">AV-53, "Steering Switch Check"</a> .</li> <li>● AV switch check. Refer to <a href="#">AV-55, "AV Switch Check"</a> .</li> </ul> If above check is OK, replace audio unit.
All speakers do not sound	<ul style="list-style-type: none"> <li>● Audio unit</li> </ul>
One or several speakers do not sound	<ul style="list-style-type: none"> <li>● Front door speaker check. Refer to <a href="#">AV-56, "Sound Is Not Heard From Front Door Speaker or Front Tweeter (Base System)"</a> .</li> <li>● Rear door speaker check. Refer to <a href="#">AV-58, "Sound Is Not Heard From Rear Door Speaker or Rear Door Tweeter (Base System)"</a> .</li> </ul>
Poor sound	<ul style="list-style-type: none"> <li>● Audio unit</li> <li>● Speaker</li> </ul>
Noisy	<ul style="list-style-type: none"> <li>● Audio unit</li> <li>● Electrical equipment (generator, bonding wire, etc.)</li> </ul>

### MALFUNCTION WITH RADIO AND CD (BOSE SYSTEM)

Before proceeding on models with NAVI, confirm that other AV switch functions (except audio functions) operate. If not, refer to [AV-159, "Unable to Operate All of AV Switches \(Unable to Start Self-Diagnosis\)"](#) .

Symptom	Possible cause
Inoperative	<ul style="list-style-type: none"> <li>● Audio unit power circuit check. Refer to <a href="#">AV-47, "Power Supply Circuit Inspection"</a> .</li> <li>● Audio communication line check (with Navigation System). Refer to <a href="#">AV-140, "Audio Communication Line Check (Between Display Control Unit and Audio Unit)"</a> .</li> <li>● AV switch check. Refer to <a href="#">AV-55, "AV Switch Check"</a> .</li> </ul> If above check is OK, replace audio unit.
Steering switch does not operate	<ul style="list-style-type: none"> <li>● Steering switch check. Refer to <a href="#">AV-53, "Steering Switch Check"</a> .</li> <li>● AV switch check. Refer to <a href="#">AV-55, "AV Switch Check"</a> .</li> <li>● Audio communication line check (with Navigation System). Refer to <a href="#">AV-140, "Audio Communication Line Check (Between Display Control Unit and Audio Unit)"</a> .</li> </ul> If above check is OK, replace audio unit.
Audio information is not displayed on screen (with NAVI)	<ul style="list-style-type: none"> <li>● Display unit check. Refer to <a href="#">AV-115, "Self-Diagnosis Mode (DCU)"</a> .</li> </ul>
All speakers do not sound	<ul style="list-style-type: none"> <li>● Audio unit</li> <li>● BOSE speaker amp. power supply and ground circuit check. Refer to <a href="#">AV-47, "Power Supply Circuit Inspection"</a> .</li> <li>● BOSE speaker amp. ON signal</li> <li>● BOSE speaker amp.</li> </ul>

# AUDIO

Symptom	Possible cause
One or several speakers do not sound	<ul style="list-style-type: none"> <li>● Front door speaker check. Refer to <a href="#">AV-60, "Sound Is Not Heard From Front Door Speaker or Front Tweeter (BOSE System)"</a> .</li> <li>● Rear door speaker check. Refer to <a href="#">AV-63, "Sound Is Not Heard From Rear Door Speaker or Rear Door Tweeter (BOSE System)"</a> .</li> <li>● Subwoofer check. Refer to <a href="#">AV-66, "Sound Is Not Heard From Center Speaker (BOSE System)"</a> .</li> <li>● Center speaker check. Refer to <a href="#">AV-66, "Sound Is Not Heard From Center Speaker (BOSE System)"</a> .</li> </ul>
Poor sound	<ul style="list-style-type: none"> <li>● Audio unit</li> <li>● BOSE speaker amp.</li> <li>● Speaker</li> </ul>
Noisy	<ul style="list-style-type: none"> <li>● Audio unit</li> <li>● BOSE speaker amp.</li> <li>● Electrical equipment (generator, bonding wire, etc.)</li> </ul>

## FOR RADIO ONLY

Symptom	Possible cause
No sound	<ul style="list-style-type: none"> <li>● Audio unit</li> <li>● Antenna feeder, wiring or connections</li> <li>● Antenna amplifier, power supply, wiring or connections</li> </ul>
Noisy	<ul style="list-style-type: none"> <li>● Audio unit</li> <li>● Audio unit case ground</li> <li>● Antenna feeder, wiring or connections</li> <li>● Antenna amplifier, power supply, wiring or connections</li> <li>● Noise prevention parts</li> <li>● Electrical equipment</li> <li>● Wire harness of each piece of electrical equipment</li> </ul>
All radio stations stored in memory are deleted	<ul style="list-style-type: none"> <li>● Audio unit power circuit. Refer to <a href="#">AV-47, "Power Supply Circuit Inspection"</a> .</li> <li>● Audio unit</li> </ul>

### NOTE:

The following noise results from variations in field strength, such as fading noise and multi-path noise, or external noise from trains and other sources. It is not a malfunction.

- **Fading noise:** This noise occurs because of variations in the field strength in a narrow range due to mountains or buildings blocking the signal.
- **Multi-path noise:** This noise results from the waves sent directly from the broadcast station arriving at the antenna at a different time from the waves which reflect off mountains or buildings.

## FOR CD ONLY

Symptom	Possible cause
CD cannot be inserted.	<ul style="list-style-type: none"> <li>● CD</li> <li>● Audio unit</li> </ul>
CD cannot be ejected.	
The CD cannot be played.	
The sound skips, stops suddenly, or is distorted.	

# AUDIO

## FOR SATELLITE RADIO TUNER (FACTORY INSTALLED) ONLY

Symptom	Possible cause
Inoperative	<ul style="list-style-type: none"> <li>Satellite radio tuner (factory installed) power and ground circuit inspection. Refer to <a href="#">AV-49, "Satellite Radio Tuner (Factory Installed) Power and Ground Supply Circuit Inspection"</a> .</li> <li>Satellite radio tuner (factory installed) communication circuit inspection. Refer to <a href="#">AV-50, "Satellite Radio Tuner (Factory Installed) Communication Circuit Inspection"</a> .</li> </ul> <p>If above check is OK, replace satellite radio tuner. Refer to <a href="#">AV-73, "SATELLITE RADIO TUNER"</a> .</p>
Right or left channel does not sound	<ul style="list-style-type: none"> <li>Satellite radio tuner (factory installed) right channel audio signal circuit inspection. Refer to <a href="#">AV-53, "Satellite Radio Tuner (Factory Installed) Right Channel Audio Signal Circuit Inspection"</a> .</li> <li>Satellite radio tuner (factory installed) left channel audio signal circuit inspection. Refer to <a href="#">AV-52, "Satellite Radio Tuner (Factory Installed) Left Channel Audio Signal Circuit Inspection"</a> .</li> </ul> <p>If above check is OK, replace satellite radio tuner. Refer to <a href="#">AV-73, "SATELLITE RADIO TUNER"</a> .</p>
Poor reception	<ul style="list-style-type: none"> <li>Location of vehicle. Make certain vehicle is in an open area.</li> <li>Satellite radio antenna or antenna feeder. Refer to <a href="#">AV-77, "Location of Antenna"</a> .</li> </ul>
Noisy	<ul style="list-style-type: none"> <li>Satellite radio tuner (factory installed) ground.</li> <li>Satellite radio tuner (factory installed) harness shield wires.</li> <li>Electrical equipment (generator, bonding wire, etc.). Refer to <a href="#">AV-46, "Noise Inspection"</a> .</li> </ul>

### NOTE:

In vehicles equipped with NAVI, when pressing the SAT button, the display unit will display `NO SAT' when the following conditions exist:

- Loss of power to the satellite radio tuner
- Open or short in the REQ1, TXD, or RXD circuits.

If the satellite antenna is disconnected or inoperative, the display unit will display ANTENNA.

## Noise Inspection

EKS00B3F

The vehicle itself can be a source of noise if noise prevention parts or electrical equipment is malfunctioning. Check if noise is caused and/or changed by engine speed, ignition switch turned to each position, and operation of each piece of electrical equipment, and determine the cause.

### NOTE:

The source of the noise can be found easily by listening to the noise while removing the fuses of electrical components, one by one.

## TYPE OF NOISE AND POSSIBLE CAUSE

Occurrence condition	Possible cause	
Occurs only when engine is ON.	A continuous growling noise occurs. The speed of the noise varies with changes in the engine speed.	<ul style="list-style-type: none"> <li>Ignition components</li> </ul>
	A whistling noise occurs while the engine speed is high. A booming noise occurs while the engine is running and the lighting switch is ON.	<ul style="list-style-type: none"> <li>Generator</li> </ul>
The occurrence of the noise is linked with the operation of the fuel pump.	<ul style="list-style-type: none"> <li>Fuel pump condenser</li> </ul>	
Noise only occurs when various electrical components are operating.	A cracking or snapping sound occurs with the operation of various switches.	<ul style="list-style-type: none"> <li>Relay malfunction, audio unit malfunction</li> </ul>
	The noise occurs when various motors are operating.	<ul style="list-style-type: none"> <li>Motor case ground</li> <li>Motor</li> </ul>

# AUDIO

Occurrence condition	Possible cause
The noise occurs constantly, not just under certain conditions.	<ul style="list-style-type: none"> <li>● Rear defogger coil malfunction</li> <li>● Open circuit in printed heater</li> <li>● Poor ground of antenna amplifier or antenna feeder line</li> </ul>
A cracking or snapping sound occurs while the vehicle is being driven, especially when it is vibrating excessively.	<ul style="list-style-type: none"> <li>● Ground wire of body parts</li> <li>● Ground due to improper part installation</li> <li>● Wiring connections or a short circuit</li> </ul>

## Power Supply Circuit Inspection

EKS00B3G

### 1. CHECK FUSES

Check that the following fuses are not blown.

Unit	Terminals	Signal name	Fuse No.
Audio unit	6	Battery power	31
	10	Ignition switch ACC or ON	4
AV switch	1	Battery power	31
	2	Ignition switch ACC or ON	4
BOSE speaker amp. (with BOSE)	1	Battery power	31
Subwoofer (BOSE system)	6	Battery power	17

#### OK or NG

OK >> GO TO 2.

NG >> If fuse is blown, be sure to eliminate cause of problem before installing new fuse. Refer to [PG-4](#), "[POWER SUPPLY ROUTING CIRCUIT](#)".

A  
B  
C  
D  
E  
F  
G  
H  
I  
J  
L  
M

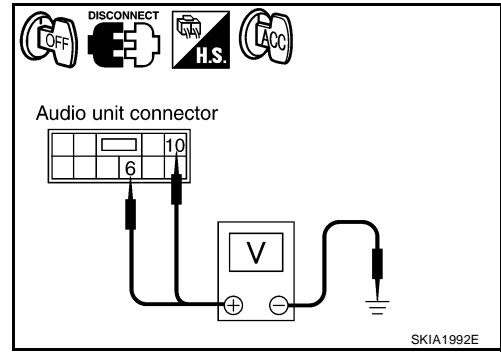
AV

# AUDIO

## 2. POWER SUPPLY CIRCUIT CHECK

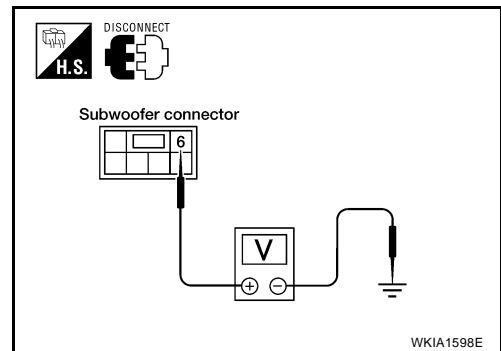
1. Disconnect audio unit connector M43, subwoofer connector B72 (with BOSE) and BOSE speaker amp. connector M112 (with BOSE).
2. Check voltage between the audio unit and ground.

Unit	Terminal No.			OFF	ACC	ON
	(+)		(-)			
	Connector	Terminal				
Audio unit	M43	6	Ground	Battery voltage	Battery voltage	Battery voltage
		10	Ground	0V	Battery voltage	Battery voltage



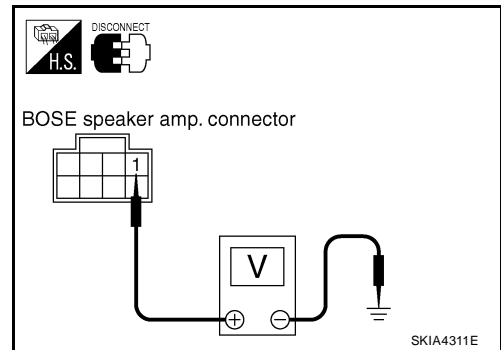
3. Check voltage between subwoofer (BOSE system) and ground.

Unit	Terminal No.			OFF	ACC	ON
	(+)		(-)			
	Connector	Terminal				
Subwoofer	B72	6	Ground	Battery voltage	Battery voltage	Battery voltage



4. Check voltage between BOSE speaker amp. (with BOSE) and ground.

Unit	Terminal No.			OFF	ACC	ON
	(+)		(-)			
	Connector	Terminal				
BOSE speaker amp.	M112	1	Ground	Battery voltage	Battery voltage	Battery voltage



OK or NG

- OK >> GO TO 3.  
 NG >> ● Check connector housings for disconnected or loose terminals.  
 ● Repair harness or connector.

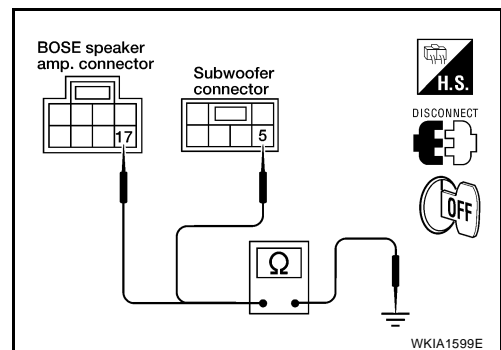
## 3. GROUND CIRCUIT CHECK

Check continuity between subwoofer (BOSE system) harness connector B72 terminal 5 and BOSE speaker amp. (with BOSE) harness connector M112 terminal 17 and ground.

**Continuity should exist.**

OK or NG

- OK >> Inspection End.  
 NG >> ● Check connector housings for disconnected or loose terminals.  
 ● Repair harness or connector.





# AUDIO

## Satellite Radio Tuner (Factory Installed) Power and Ground Supply Circuit Inspection

EKS00GB7

### 1. CHECK FUSES

- Check that the following fuses are not blown.

Unit	Terminals	Signal name	Fuse No.
Satellite radio tuner (factory installed)	32	Battery power	31
	36	Ignition switch ACC or ON	6

#### OK or NG

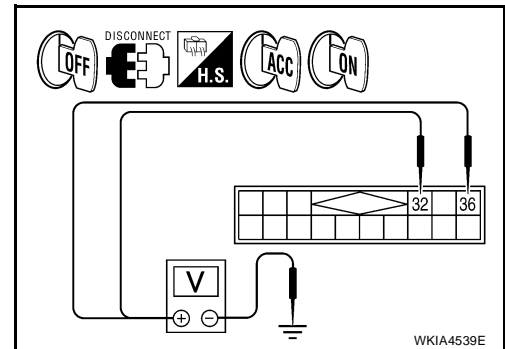
OK >> GO TO 2.

NG >> If fuse is blown, be sure to eliminate cause of problem before installing new fuse. Refer to [PG-4, "POWER SUPPLY ROUTING CIRCUIT"](#).

### 2. POWER SUPPLY CIRCUIT CHECK

1. Turn ignition switch OFF.
2. Disconnect satellite radio tuner (factory installed) M41 connector.
3. Check voltage between the satellite radio tuner (factory installed) and ground.

Unit	Terminal No.		OFF	ACC	ON
	(+)				
	Connector	Terminal			
Satellite radio tuner (factory installed)	M41	32	Ground	Battery voltage	Battery voltage
		36	Ground	0V	Battery voltage



#### OK or NG

OK >> GO TO 3.

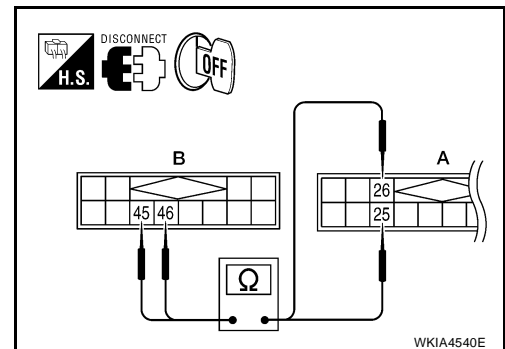
NG >> ● Check connector housings for disconnected or loose terminals.

- Repair harness or connector.

### 3. GROUND CIRCUIT CHECK

1. Turn ignition switch OFF.
2. Inspect satellite radio tuner (factory installed) case ground.
3. Disconnect satellite radio tuner (factory installed) connector M41 (A) and audio unit connector M42 (B).
4. Check continuity between satellite radio tuner (factory installed) and audio unit.

Terminals				Continuity
Satellite radio tuner		Audio unit		
Connector	Terminal	Connector	Terminal	
A: M41	25	B: M42	45	Yes
	26		46	



#### OK or NG

OK >> Inspection End.

NG >> ● Check connector housings for disconnected or loose terminals.

- Repair harness, connector or satellite radio tuner (factory installed) case ground.

# AUDIO

## Satellite Radio Tuner (Factory Installed) Communication Circuit Inspection EKS00GB8

### 1. CHECK HARNESS - 1

1. Turn ignition switch OFF.
2. Disconnect satellite radio tuner (factory installed) connector M41 and audio unit connector M42.

3. Check continuity between satellite radio tuner (factory installed) harness connector M41 (A) terminal 28 and audio unit harness connector M42 (B) terminal 48

**Continuity should exist.**

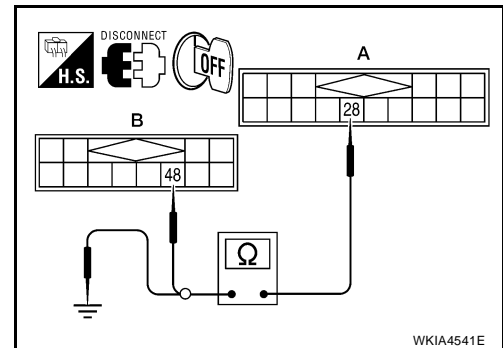
4. Check continuity between satellite radio tuner (factory installed) harness connector M41 (A) terminal 28 and ground.

**Continuity should not exist.**

OK or NG

OK >> GO TO 2.

NG >> Repair harness or connector.



### 2. CHECK HARNESS - 2

1. Check continuity between satellite radio tuner (factory installed) harness connector M41 (A) terminal 29 and audio unit harness connector M42 (B) terminal 49

**Continuity should exist.**

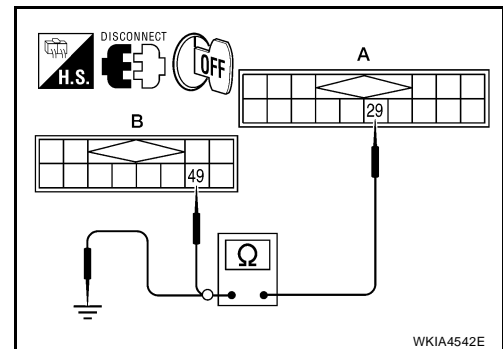
2. Check continuity between satellite radio tuner (factory installed) harness connector M41 (A) terminal 29 and ground.

**Continuity should not exist.**

OK or NG

OK >> GO TO 3.

NG >> Repair harness or connector.



### 3. CHECK HARNESS - 3

1. Check continuity between satellite radio tuner (factory installed) harness connector M41 (A) terminal 30 and audio unit harness connector M42 (B) terminal 50

**Continuity should exist.**

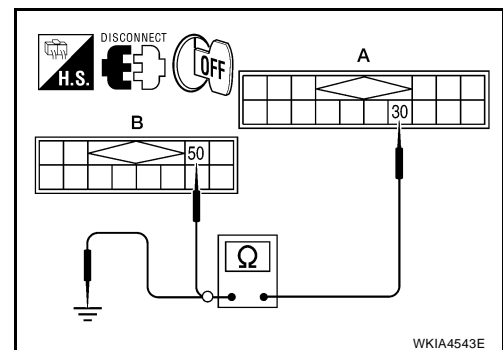
2. Check continuity between satellite radio tuner (factory installed) harness connector M41 (A) terminal 30 and ground.

**Continuity should not exist.**

OK or NG

OK >> GO TO 4.

NG >> Repair harness or connector.



# AUDIO

## 4. CHECK REQ1 SIGNAL

1. Connect satellite radio tuner (factory installed) connector and audio unit connector.
2. Turn ignition switch to ACC
3. Check signal between satellite radio tuner (factory installed) harness connector M41 terminal 28 and ground with CONSULT-II or oscilloscope.

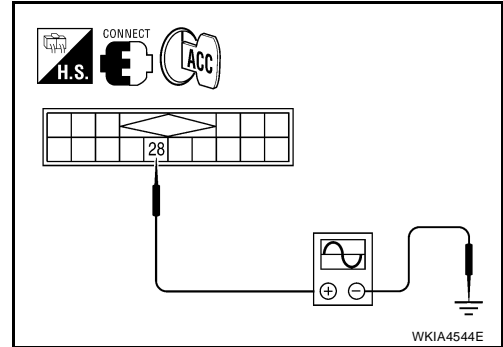
**28 - Ground**

**: Refer to [AV-41, "Terminals and Reference Value for Satellite Radio Tuner"](#) .**

OK or NG

OK >> GO TO 5.

NG >> Replace audio unit. Refer to [AV-70, "AUDIO UNIT"](#) .



## 5. CHECK TXD SIGNAL

1. Check signal between satellite radio tuner (factory installed) harness connector M41 terminal 29 and ground with CONSULT-II or oscilloscope.

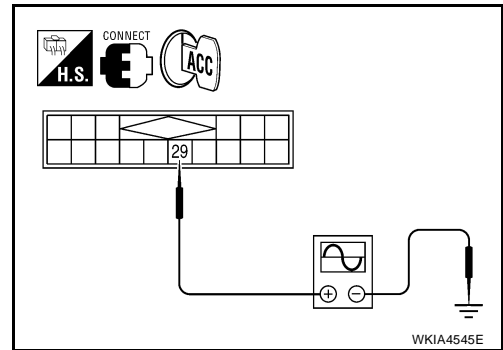
**29 - Ground**

**: Refer to [AV-41, "Terminals and Reference Value for Satellite Radio Tuner"](#) .**

OK or NG

OK >> GO TO 6.

NG >> Replace audio unit. Refer to [AV-70, "AUDIO UNIT"](#) .



## 6. CHECK RXD SIGNAL

1. Check signal between satellite radio tuner (factory installed) harness connector M41 terminal 30 and ground with CONSULT-II or oscilloscope.

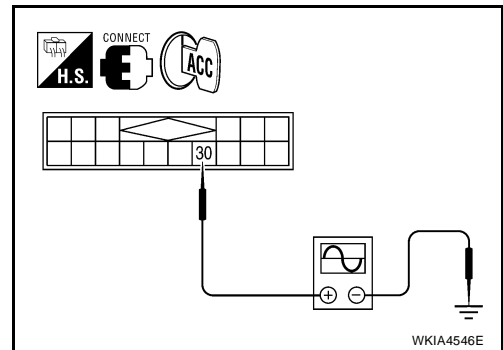
**30 - Ground**

**: Refer to [AV-41, "Terminals and Reference Value for Satellite Radio Tuner"](#) .**

OK or NG

OK >> Replace satellite radio tuner. Refer to [AV-73, "SATELLITE RADIO TUNER"](#) .

NG >> Replace audio unit. Refer to [AV-70, "AUDIO UNIT"](#) .



A  
B  
C  
D  
E  
F  
G  
H  
I  
J  
AV  
L  
M

# AUDIO

## Satellite Radio Tuner (Factory Installed) Left Channel Audio Signal Circuit Inspection

EKS00GB9

### 1. CHECK HARNESS

1. Turn ignition switch OFF.
2. Disconnect satellite radio tuner (factory installed) connector M41 (A) and audio unit connector M42 (B).
3. Check continuity between satellite radio tuner (factory installed) and audio unit.

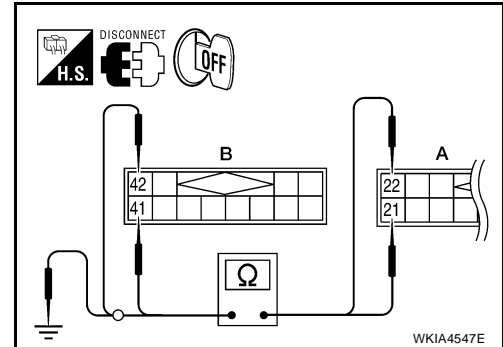
Terminals				Continuity
Satellite radio tuner		Audio unit		
Connector	Terminal	Connector	Terminal	
A: M41	21	B: M42	41	Yes
	22		42	

4. Check continuity between satellite radio tuner (factory installed) and ground.

Terminals				Continuity
Satellite radio tuner		—		
Connector	Terminal			
A: M41	21	Ground		No
	22			

OK or NG

- OK >> GO TO 2.  
 NG >> Repair harness or connector.



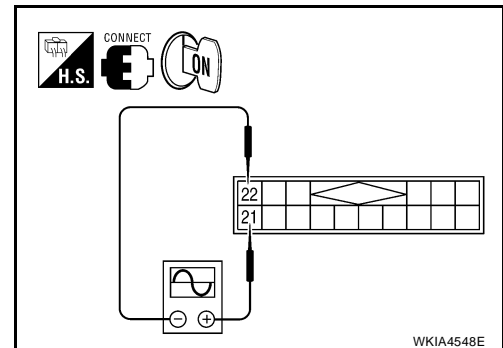
### 2. CHECK LEFT CHANNEL AUDIO SIGNAL

1. Connect satellite radio tuner (factory installed) and audio unit.
2. Turn ignition switch ON.
3. Check signal between satellite radio tuner (factory installed) connector M41 terminals 21 and 22 with CONSULT-II or oscilloscope.

**21 - 22** : Refer to [AV-41, "Terminals and Reference Value for Satellite Radio Tuner"](#) .

OK or NG

- OK >> Replace satellite radio tuner. Refer to [AV-73, "SATELLITE RADIO TUNER"](#) .  
 NG >> Replace audio unit. Refer to [AV-70, "AUDIO UNIT"](#) .



# AUDIO

## Satellite Radio Tuner (Factory Installed) Right Channel Audio Signal Circuit Inspection

EKS00GBA

### 1. CHECK HARNESS

1. Turn ignition switch OFF.
2. Disconnect satellite radio tuner (factory installed) connector M41 (A) and audio unit connector M42 (B).
3. Check continuity between satellite radio tuner (factory installed) and audio unit.

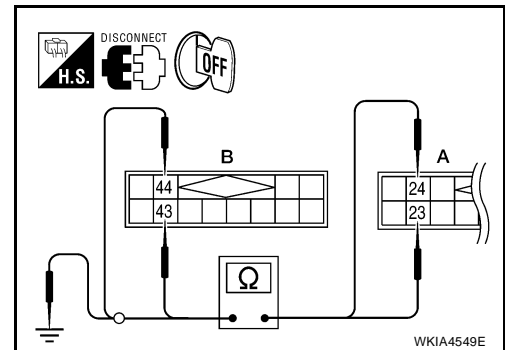
Terminals				Continuity
Satellite radio tuner		Audio unit		
Connector	Terminal	Connector	Terminal	
A: M41	23	B: M42	43	Yes
	24		44	

4. Check continuity between satellite radio tuner (factory installed) and ground.

Terminals				Continuity
Satellite radio tuner		—		
Connector	Terminal			
A: M41	23	Ground		No
	24			

OK or NG

- OK >> GO TO 2.  
 NG >> Repair harness or connector.



### 2. CHECK RIGHT CHANNEL AUDIO SIGNAL

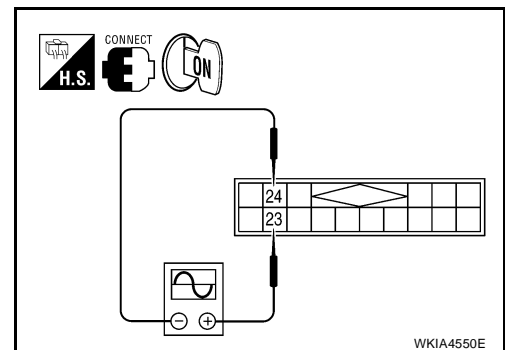
1. Connect satellite radio tuner (factory installed) and audio unit.
2. Turn ignition switch ON.
3. Check signal between satellite radio tuner (factory installed) connector M41 terminals 23 and 24 with CONSULT-II or oscilloscope.

**23 - 24**

**: Refer to [AV-41, "Terminals and Reference Value for Satellite Radio Tuner"](#) .**

OK or NG

- OK >> Replace satellite radio tuner. Refer to [AV-73, "SATELLITE RADIO TUNER"](#) .  
 NG >> Replace audio unit. Refer to [AV-70, "AUDIO UNIT"](#) .



## Steering Switch Check

EKS00B3H

### 1. AV SWITCH SELF-DIAGNOSIS FUNCTION CHECK

1. Start AV switch self-diagnosis function. Refer to [AV-43, "AV Switch Self-Diagnosis Function"](#) .
2. Operate steering switch.

Does steering switch operate normally?

- YES >> Inspection End.  
 NO >> GO TO 2.

# AUDIO

## 2. CHECK HARNESS

1. Turn ignition switch OFF.
2. Disconnect AV switch connector M98 and spiral cable connector M30.
3. Check continuity between spiral cable harness connector terminal and AV switch harness connector terminal.

Terminals				Continuity
Spiral cable		AV switch		
Connector	Terminal	Connector	Terminal	
M30	32	M98	13	Yes
	31		14	
	24		12	

4. Check continuity between AV switch and ground.

Terminals			Continuity
AV switch		—	
Connector	Terminal		
M98	12	Ground	No
	13		
	14		

OK or NG

OK >> GO TO 3.

NG >> Repair harness.

## 3. SPIRAL CABLE CHECK

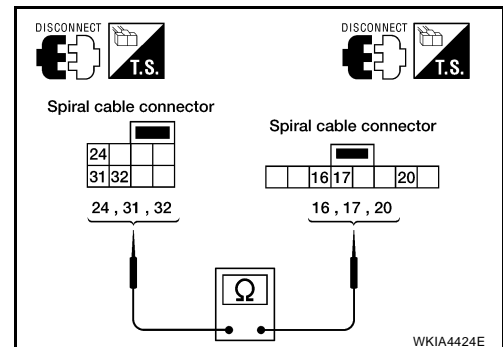
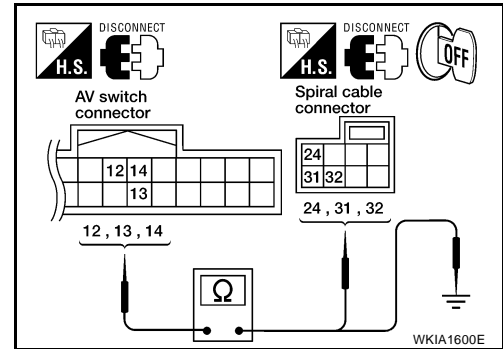
1. Disconnect spiral cable connectors M30 and M102.
2. Check continuity between spiral cable terminals.

Terminals				Continuity
Spiral cable				
Connector	Terminal	Connector	Terminal	
M30	32	M102	16	Yes
	31		17	
	24		20	

OK or NG

OK >> GO TO 4.

NG >> Replace spiral cable. Refer to [SRS-47, "SPIRAL CABLE"](#) .

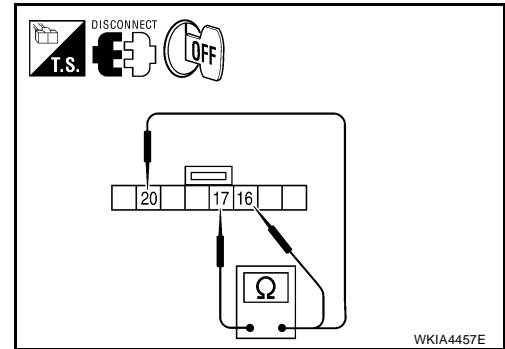


# AUDIO

## 4. CHECK STEERING SWITCH RESISTANCE

Check resistance between steering switch terminals.

Terminal	Signal name	Condition	Resistance (Ω) (Approx.)	
16	17	Seek (down)	Depress (station) down switch.	165
		Power	Depress power switch.	0
		Volume (down)	Depress volume down switch.	652
20	17	Seek (up)	Depress (station) up switch.	165
		Mode	Depress mode switch.	0
		Volume (up)	Depress volume up switch.	652



OK or NG

OK >> Inspection End.

NG >> Replace steering switch. Refer to [AV-74, "STEERING WHEEL AUDIO CONTROL SWITCHES"](#).

## AV Switch Check

EKS00B3I

### 1. AV SWITCH SELF-DIAGNOSIS FUNCTION CHECK

Perform AV switch self-diagnosis function. Refer to [AV-43, "AV Switch Self-Diagnosis Function"](#).

Does AV switch operate normally?

YES >> Inspection End.

NO >> GO TO 2.

### 2. CHECK AV SWITCH POWER SUPPLY AND GROUND CIRCUIT

Check AV switch power supply and ground circuit. Refer to [AV-134, "Power Supply and Ground Circuit Check for AV Switch"](#).

OK or NG

OK >> Replace AV switch. Refer to [AV-70, "AV SWITCH"](#).

NG >> Repair malfunctioning part.

## Audio Communication Line Check (With Navigation System)

EKS00B3J

### 1. CHECK AUDIO COMMUNICATION LINE

Start audio communication line check. Refer to [AV-140, "Audio Communication Line Check \(Between Display Control Unit and Audio Unit\)"](#).

OK or NG

OK >> Inspection End.

NG >> Replace malfunctioning part.

# AUDIO

## Sound Is Not Heard From Front Door Speaker or Front Tweeter (Base System)

EKS00B3K

### 1. HARNESS CHECK

1. Disconnect audio unit connector M43 and suspect speaker or tweeter connector.
2. Check continuity between audio unit harness connector M43 terminal and suspect speaker or tweeter harness connector terminal.

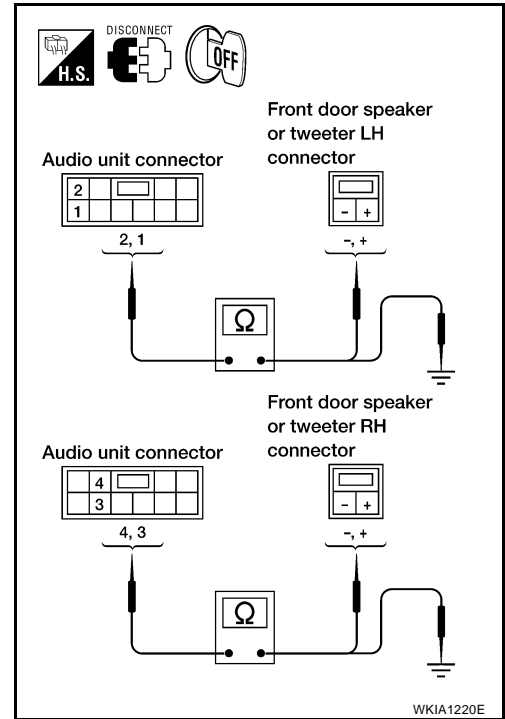
Terminals				Continuity
Audio unit		Speaker or tweeter		
Connector	Terminal	Connector	Terminal	
M43	2	D12	+	Yes
	1		-	
	4	D112	+	
	3		-	
	2	M109	+	
	1		-	
	4	M111	+	
	3		-	

3. Check continuity between audio unit harness connector M43 terminal and ground.

Terminals			Continuity
Audio unit		—	
Connector	Terminal		
M43	2	Ground	No
	1		
	4		
	3		

#### OK or NG

- OK >> GO TO 2.
- NG >> ● Check connector housings for disconnected or loose terminals.  
● Repair harness or connector.

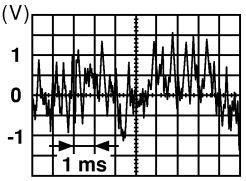




# AUDIO

## 2. FRONT SPEAKER SIGNAL CHECK

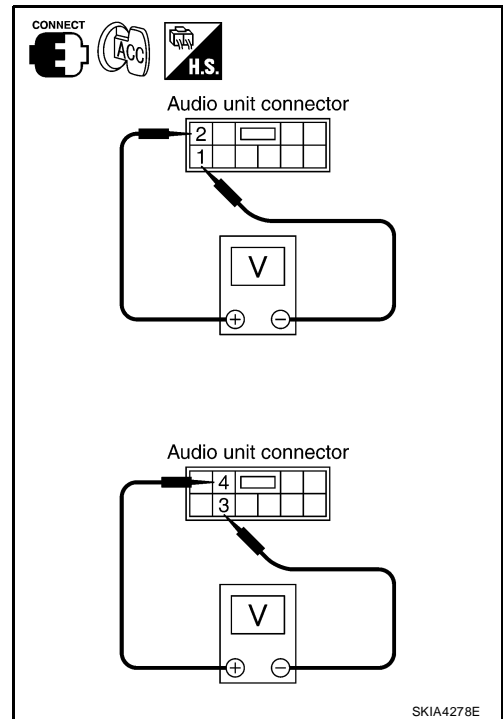
1. Connect audio unit connector and front speaker or tweeter connector.
2. Turn ignition switch to ACC.
3. Push "POWER" switch.
4. Check the signal between audio unit harness connector terminals and ground with CONSULT-II or oscilloscope.

Terminals				Condi- tion	Reference signal
(+)		(-)			
Con- nec- tor	Termi- nal	Con- nec- tor	Termi- nal		
M43	2	M43	1	Receive audio signal	
	4		3		

SKIA0177E

### OK or NG

- OK >> Replace speaker. Refer to [AV-71, "FRONT DOOR SPEAKER"](#) or [AV-71, "FRONT TWEETER"](#) .
- NG >> Replace audio unit. Refer to [AV-70, "Removal and Installation"](#) .



SKIA4278E

A  
B  
C  
D  
E  
F  
G  
H  
I  
J  
AV  
L  
M

# AUDIO

## Sound Is Not Heard From Rear Door Speaker or Rear Door Tweeter (Base System)

EKS00B3L

### 1. HARNESS CHECK

1. Disconnect audio unit connector M44 and suspect speaker connector.
2. Check continuity between audio unit harness connector M44 terminal and suspect speaker harness connector terminal.

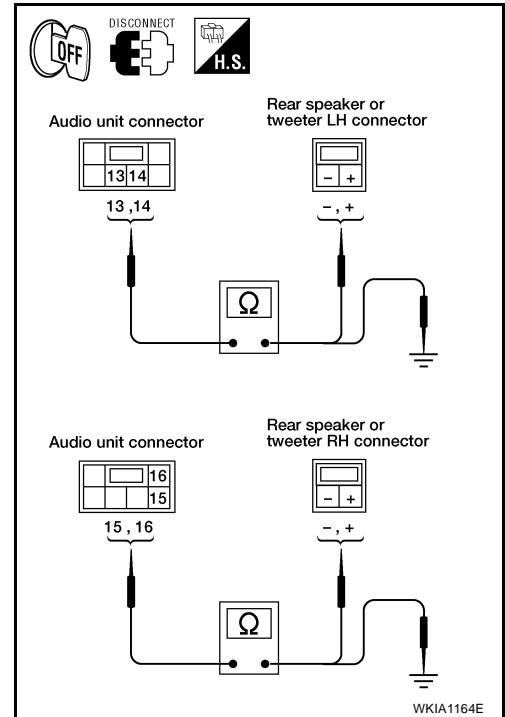
Terminals				Continuity
Audio unit		Speaker or tweeter		
Connector	Terminal	Connector	Terminal	
M44	13	B45	-	Yes
	14		+	
	15	B131	-	
	16		+	
	13	D207	-	
	14		+	
	15	D307	-	
	16		+	

3. Check continuity between audio unit harness connector M44 terminal and ground.

Terminals			Continuity
Audio unit		—	
Connector	Terminal	Ground	
M44	13	Ground	No
	14		
	15		
	16		

**OK or NG**

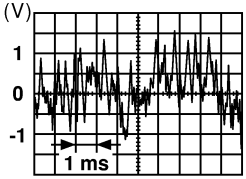
- OK >> GO TO 2.  
 NG >> ● Check connector housings for disconnected or loose terminals.  
 ● Repair harness or connector.



# AUDIO

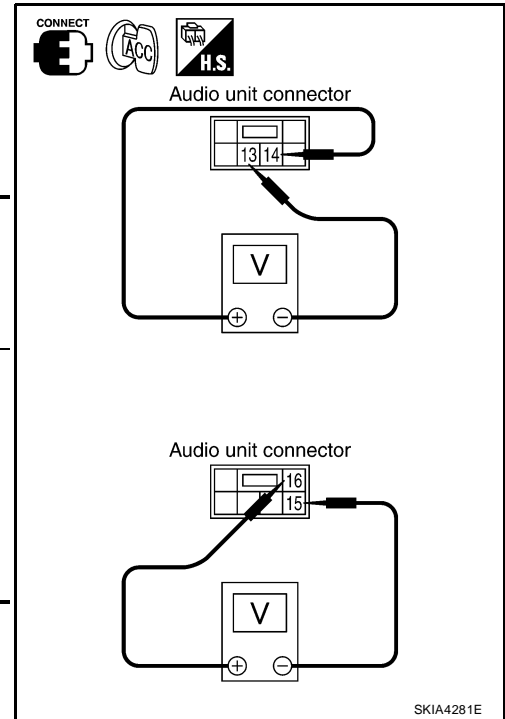
## 2. REAR SPEAKER SIGNAL CHECK

1. Connect audio unit connector and rear speaker connector.
2. Turn ignition switch to ACC.
3. Push "POWER" switch.
4. Check the signal between audio unit harness connector terminals with CONSULT-II or oscilloscope.

Terminals				Condi- tion	Reference signal
(+)		(-)			
Con- nector	Termi- nal	Con- nector	Terminal		
M44	14	M44	13	Receive audio signal	
	16		15		

### OK or NG

- OK >> Replace rear door speaker. Refer to [AV-72, "REAR DOOR SPEAKER"](#) or [AV-72, "REAR DOOR TWEETER"](#).
- NG >> Replace audio unit. Refer to [AV-70, "Removal and Installation"](#).



A  
B  
C  
D  
E  
F  
G  
H  
I  
J  
L  
M

AV

# AUDIO

## Sound Is Not Heard From Front Door Speaker or Front Tweeter (BOSE System)

EKS00B3M

### 1. HARNESS CHECK

1. Disconnect BOSE speaker amp. connector M113 and suspect speaker connector.
2. Check continuity between BOSE speaker amp. harness connector terminal M113 and suspect speaker harness connector terminal.

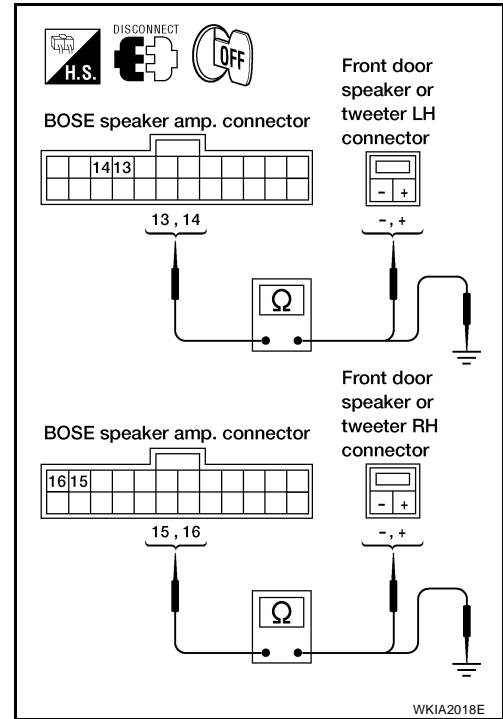
Terminals				Continuity
BOSE speaker amp.		Speaker or tweeter		
Connector	Terminal	Connector	Terminal	
M113	13	D12	+	Yes
	14		-	
	15	D112	+	
	16		-	
	13	M109	+	
	14		-	
	15	M111	+	
	16		-	

3. Check continuity between BOSE speaker amp. harness connector terminal M113 and ground.

Terminals			Continuity
BOSE speaker amp.		—	
Connector	Terminal	Ground	
M113	13	Ground	No
	14		
	15		
	16		

#### OK or NG

- OK >> GO TO 2.
- NG >> ● Check connector housings for disconnected or loose terminals.  
 ● Repair harness or connector.

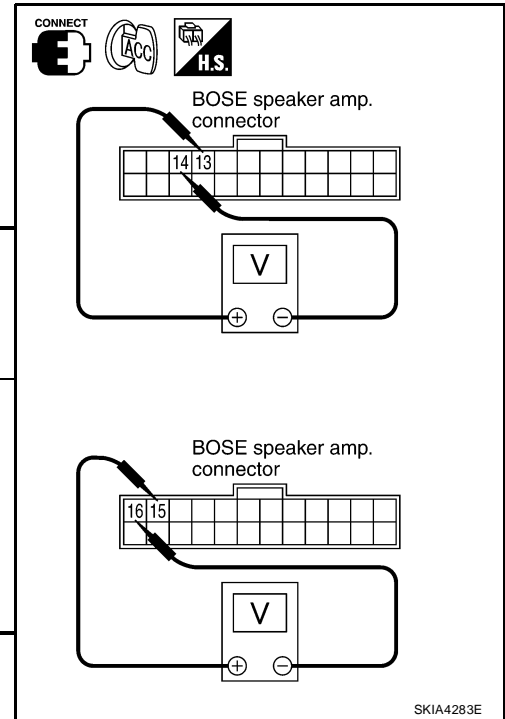


# AUDIO

## 2. FRONT SPEAKER SIGNAL CHECK

1. Connect BOSE speaker amp. connector M113 and suspect speaker connector.
2. Turn ignition switch to ACC.
3. Push "POWER" switch.
4. Check the signal between BOSE speaker amp. harness connector M113 terminals with CONSULT-II or oscilloscope.

Terminals				Condition	Reference signal
(+)		(-)			
Connector	Terminal	Connector	Terminal		
M113	13	M113	14	Receive audio signal	
	15		16		



OK or NG

- OK >> Replace suspect speaker. Refer to [AV-71, "FRONT DOOR SPEAKER"](#) or [AV-71, "FRONT TWEETER"](#).
- NG >> GO TO 3.

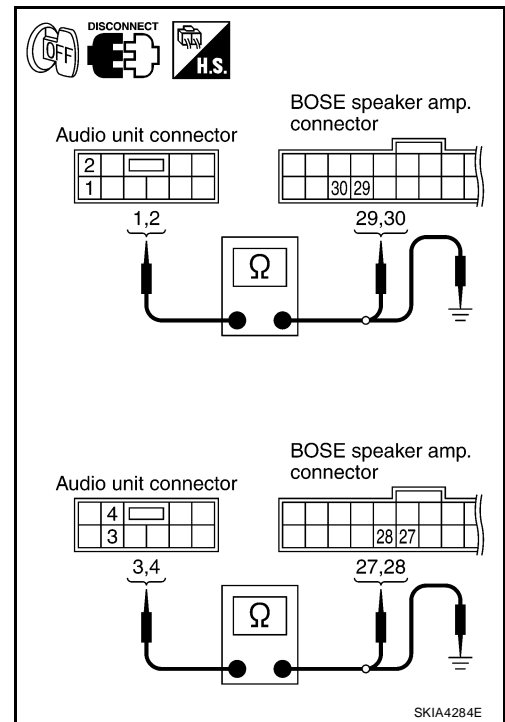
## 3. HARNESS CHECK

1. Disconnect audio unit connector M43 and BOSE speaker amp. connector M113.
2. Check continuity between audio unit harness connector terminals and BOSE speaker amp. harness connector terminals.

Terminals				Continuity
Audio unit		BOSE speaker amp.		
Connector	Terminal	Connector	Terminal	
M43	1	M113	29	Yes
	2		30	
	3		27	
	4		28	

3. Check continuity between audio unit harness connector terminal and ground.

Terminals				Continuity
Audio unit		—		
Connector	Terminal			
M43	1	Ground		No
	2			
	3			
	4			



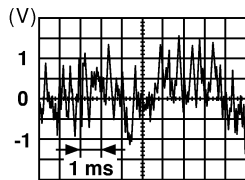
OK or NG

- OK >> GO TO 4.
- NG >> ● Check connector housings for disconnected or loose terminals.  
● Repair harness or connector.

# AUDIO

## 4. FRONT SPEAKER SIGNAL CHECK

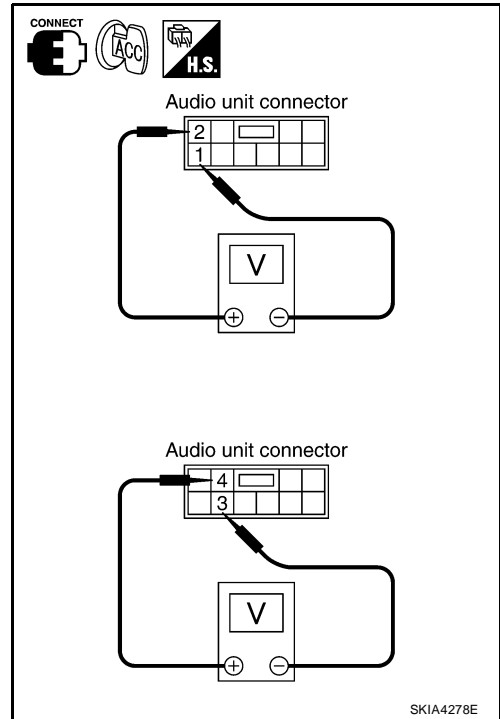
1. Connect audio unit connector and BOSE speaker amp. connector.
2. Turn ignition switch to ACC.
3. Push "POWER" switch.
4. Check the signal between audio unit harness connector terminals with CONSULT-II or oscilloscope.

Terminals				Condi- tion	Reference signal
(+)		(-)			
Con- nector	Termi- nal	Con- nector	Termi- nal		
M43	2	M43	1	Receive audio signal	
	4		3		

SKIA0177E

### OK or NG

- OK >> Replace BOSE speaker amp. Refer to [AV-70, "BOSE SPEAKER AMP."](#)
- NG >> Replace audio unit. Refer to [AV-70, "Removal and Installation"](#).



# AUDIO

## Sound Is Not Heard From Rear Door Speaker or Rear Door Tweeter (BOSE System)

EKS00B3N

### 1. HARNESS CHECK

1. Disconnect BOSE speaker amp. connector M113 and suspect speaker connector.
2. Check continuity between BOSE speaker amp. harness connector terminal M113 and suspect speaker harness connector terminal.

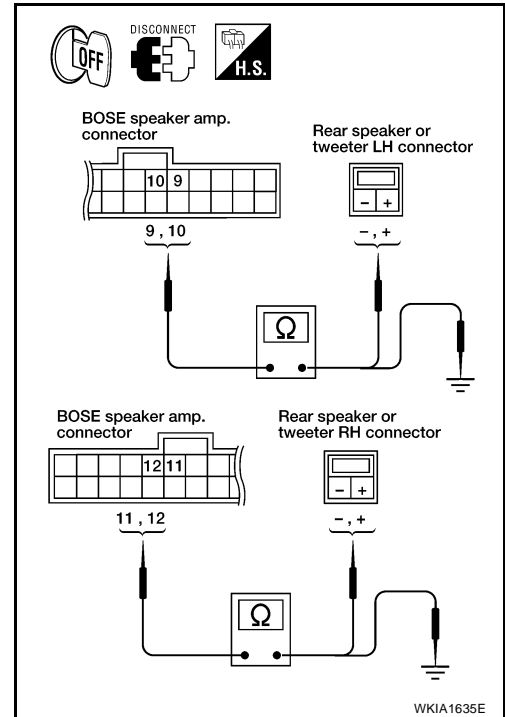
Terminals				Continuity
BOSE speaker amp.		Speaker or tweeter		
Connector	Terminal	Connector	Terminal	
M113	9	D207	+	Yes
	10		-	
	11	D307	+	
	12		-	
	9	D208	+	
	10		-	
	11	D308	+	
	12		-	

3. Check continuity between BOSE speaker amp. harness connector M113 terminal and ground.

Terminals			Continuity
BOSE speaker amp.		—	
Connector	Terminal		
M113	9	Ground	No
	10		
	11		
	12		

OK or NG

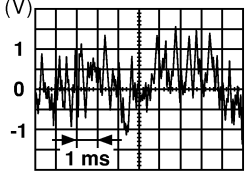
- OK >> GO TO 2.  
 NG >> ● Check connector housings for disconnected or loose terminals.  
 ● Repair harness or connector.



# AUDIO

## 2. REAR SPEAKER SIGNAL CHECK

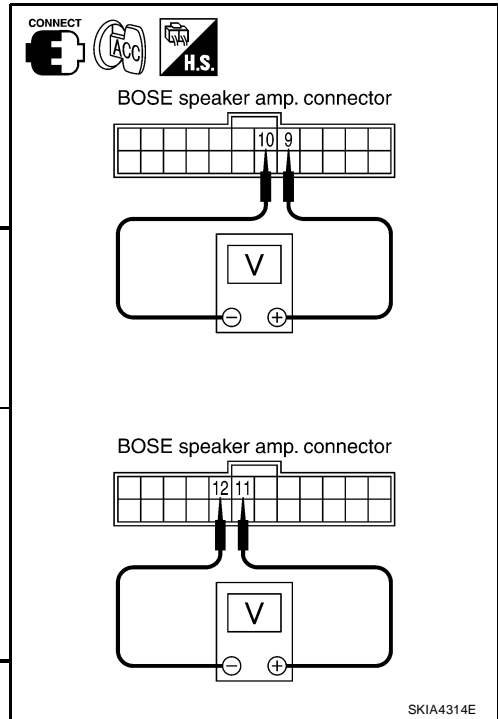
1. Connect BOSE speaker amp. connector M113 and suspect speaker connector.
2. Turn ignition switch to ACC.
3. Push "POWER" switch.
4. Check the signal between BOSE speaker amp. harness connector M113 terminals with CONSULT-II or oscilloscope.

Terminals				Condi- tion	Reference signal
(+)		(-)			
Con- nec- tor	Terminal	Con- nec- tor	Terminal		
M113	9	M113	10	Receive audio signal	
	11		12		

SKIA0177E

**OK or NG**

- OK    >> Replace suspect speaker. Refer to [AV-72, "REAR DOOR SPEAKER"](#) or [AV-72, "REAR DOOR TWEETER"](#).
- NG    >> GO TO 3.





# AUDIO

## 3. HARNESS CHECK

1. Disconnect audio unit connector M44 and BOSE speaker amp. connector M113.
2. Check continuity between audio unit harness connector M44 terminals and BOSE speaker amp. harness connector M113 terminals.

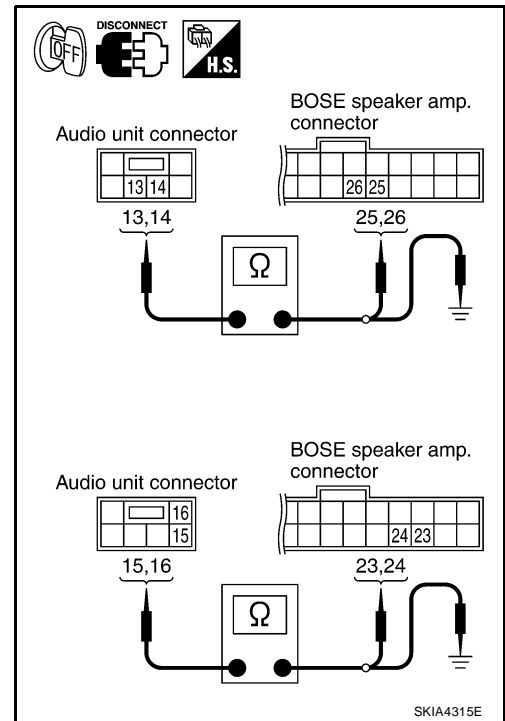
Terminals				Continuity
Audio unit		BOSE speaker amp.		
Connector	Terminal	Connector	Terminal	
M44	13	M113	25	Yes
	14		26	
	15		23	
	16		24	

3. Check continuity between audio unit harness connector terminal and ground.

Terminals				Continuity
Audio unit		—		
Connector	Terminal			
M44	13	Ground		No
	14			
	15			
	16			

OK or NG

- OK >> GO TO 4.  
 NG >> ● Check connector housings for disconnected or loose terminals.  
 ● Repair harness or connector.



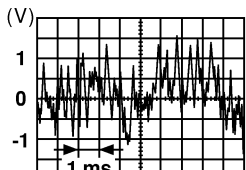
SKIA4315E

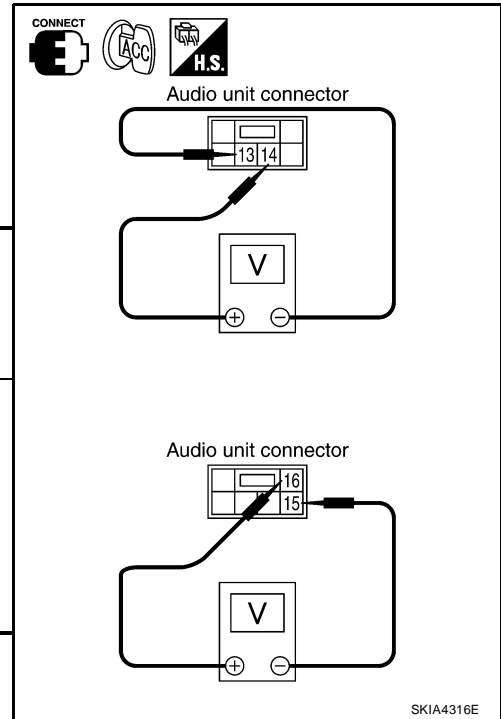
A  
B  
C  
D  
E  
F  
G  
H  
I  
J  
AV  
L  
M

# AUDIO

## 4. REAR SPEAKER SIGNAL CHECK

1. Connect audio unit connector M44 and BOSE speaker amp. connector M113.
2. Turn ignition switch to ACC.
3. Push "POWER" switch.
4. Check the signal between audio unit harness connector M44 terminals with CONSULT-II or oscilloscope.

Terminals				Condition	Reference signal
(+)		(-)			
Connector	Terminal	Connector	Terminal		
M44	14	M44	13	Receive audio signal	
	16		15		



OK or NG

- OK >> Replace BOSE speaker amp. Refer to [AV-70, "BOSE SPEAKER AMP."](#).
- NG >> Replace audio unit. Refer to [AV-70, "Removal and Installation"](#).

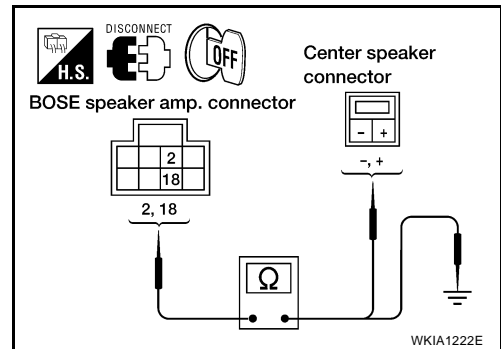
## Sound Is Not Heard From Center Speaker (BOSE System)

EKS00B30

### 1. HARNESS CHECK

1. Disconnect BOSE speaker amp. connector M112 and center speaker connector M110.
2. Check continuity between BOSE speaker amp. harness connector M112 terminals and center speaker harness connector M110 terminals.

Terminals				Continuity
BOSE speaker amp.		Center speaker		
Connector	Terminal	Connector	Terminal	
M112	2	M110	-	Yes
	18		+	



3. Check continuity between BOSE speaker amp. harness connector M112 terminals and ground.

Terminals				Continuity
BOSE speaker amp.		—		
Connector	Terminal			
M112	2	Ground		No
	18			

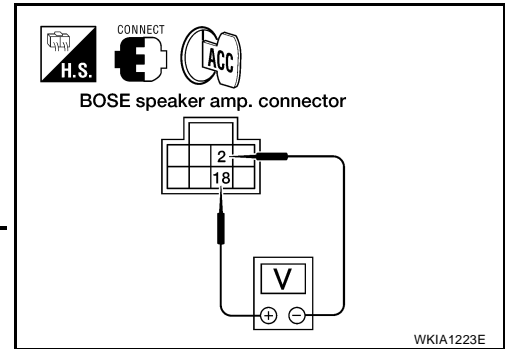
OK or NG

- OK >> GO TO 2.
- NG >> ● Check connector housings for disconnected or loose terminals.  
● Repair harness or connector.

# AUDIO

## 2. CENTER SPEAKER SIGNAL CHECK

1. Connect BOSE speaker amp. connector M112 and center speaker connector M110.
2. Turn ignition switch to ACC.
3. Push the "POWER" switch.
4. Check the signal between BOSE speaker amp. harness connector M112 terminals with CONSULT-II or oscilloscope.



Terminals				Condi- tion	Reference signal
(+)		(-)			
Con- nec- tor	Terminal	Con- nec- tor	Terminal		
M112	18	M112	2	Receive audio signal	

SKIA0177E

OK or NG

- OK >> Replace center speaker. Refer to [AV-71, "CENTER SPEAKER"](#) .  
 NG >> Replace BOSE speaker amp. Refer to [AV-70, "BOSE SPEAKER AMP."](#) .

## Sound Is Not Heard From Subwoofer (BOSE System)

EKS00B3P

### 1. CHECK FUSE

Check that the following fuse is not blown.

Unit	Terminal	Signal name	Fuse No.
Subwoofer	6	Battery power	17

OK or NG

- OK >> GO TO 2.  
 NG >> If fuse is blown, be sure to eliminate cause of problem before installing new fuse. Refer to [PG-4, "POWER SUPPLY ROUTING CIRCUIT"](#) .

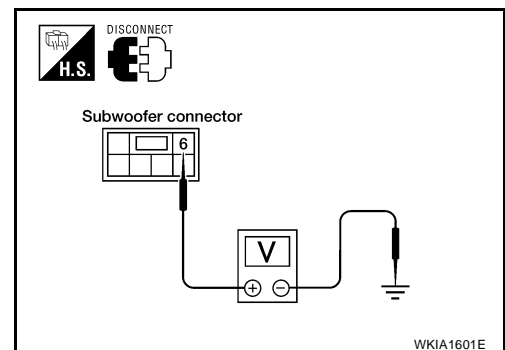
### 2. POWER SUPPLY CIRCUIT CHECK

1. Disconnect subwoofer connector.
2. Check voltage between the subwoofer and ground.

Unit	Terminal No.			OFF	ACC	ON
	(+)		(-)			
	Connector	Terminal				
Sub- woofer	B72	6	Ground	Battery voltage	Battery voltage	Battery voltage

OK or NG

- OK >> GO TO 3.  
 NG >> ● Check connector housings for disconnected or loose terminals.  
 ● Repair harness or connector.



# AUDIO

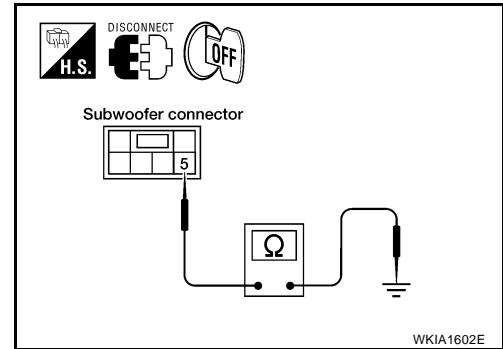
## 3. GROUND CIRCUIT CHECK

Check continuity between subwoofer harness connector B72 terminal 5 and ground.

**Continuity should exist.**

OK or NG

- OK >> GO TO 4.  
 NG >> ● Check connector housings for disconnected or loose terminals.  
 ● Repair harness or connector.



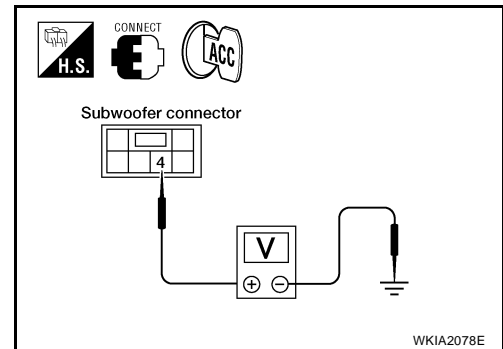
## 4. CHECK SUBWOOFER AMP. ON SIGNAL

1. Operate system and check voltage between subwoofer harness connector B72 terminal 4 and ground.

**Voltage : More than approx. 6.5V**

OK or NG

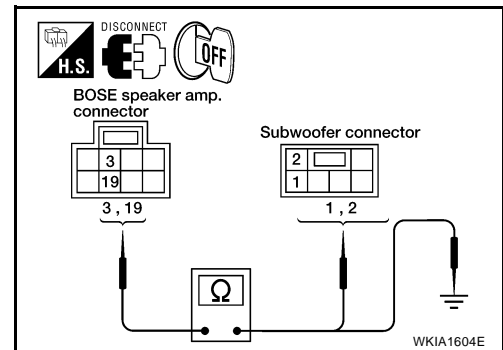
- OK >> GO TO 5.  
 NG >> ● Check connector housings for disconnected or loose terminals.  
 ● Repair harness or connector.



## 5. HARNESS CHECK

1. Disconnect BOSE speaker amp. connector M112 and subwoofer connector B72.  
 2. Check continuity between BOSE speaker amp. harness connector terminal and subwoofer harness connector terminal.

Terminals				Continuity
BOSE speaker amp.		Subwoofer		
Connector	Terminal	Connector	Terminal	
M112	3	B72	1	Yes
	19		2	



3. Check continuity between BOSE speaker amp. harness connector terminal and ground.

Terminals			Continuity
BOSE speaker amp.		—	
Connector	Terminal		
M112	3	Ground	No
	19		

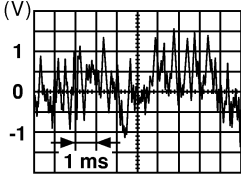
OK or NG

- OK >> GO TO 6.  
 NG >> ● Check connector housings for disconnected or loose terminals.  
 ● Repair harness or connector.

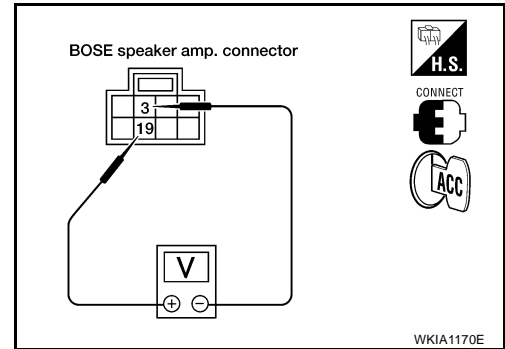
# AUDIO

## 6. SUBWOOFER SIGNAL CHECK

1. Connect BOSE speaker amp. connector and subwoofer connector.
2. Turn ignition switch to ACC.
3. Check the signal between BOSE speaker amp. harness connector terminals with CONSULT-II or oscilloscope.

Terminals				Condi- tion	Reference signal
(+)		(-)			
Con- nec- tor	Ter- minal	Con- nec- tor	Ter- minal		
M112	19	M112	3	Receive audio signal	

SKIA0177E



OK or NG

- OK >> Replace subwoofer. Refer to [AV-74, "SUBWOOFER \(BOSE SYSTEM\)"](#) .
- NG >> Replace BOSE speaker amp. Refer to [AV-70, "BOSE SPEAKER AMP."](#) .

A  
B  
C  
D  
E  
F  
G  
H  
I  
J  
AV  
L  
M

# AUDIO

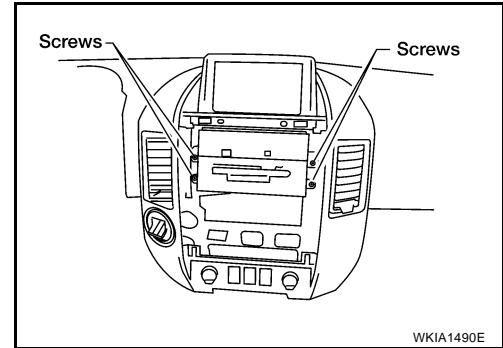
EKS00B3Q

## Removal and Installation

### AUDIO UNIT

#### Removal

1. Disconnect negative battery cable.
2. Remove A/T finisher. Refer to [IP-13, "A/T FINISHER"](#) .
3. Remove cluster lid C. Refer to [IP-11, "CLUSTER LID C"](#) .
4. Remove audio unit screws, using power tool.
5. Disconnect audio unit connector.
6. Remove audio unit.



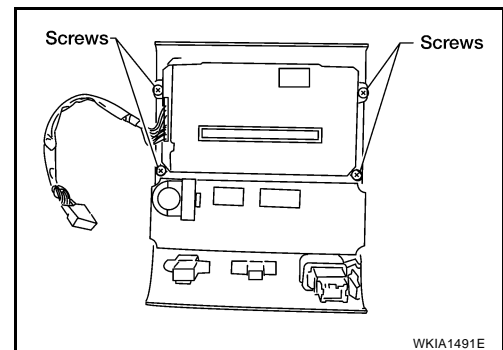
### INSTALLATION

Installation is in the reverse order of removal.

### AV SWITCH

#### Removal

1. Remove control device. Refer to [AT-226, "Control Device Removal and Installation"](#) .
2. Remove center console. Refer to [IP-15, "CENTER CONSOLE"](#) .
3. Remove cluster lid D. Refer to [IP-12, "CLUSTER LID D"](#) .
4. Disconnect center speaker connector.
5. Disconnect AV switch.
6. Remove AV switch screws.



7. Carefully remove AV switch.

### Installation

Installation is in the reverse order of removal.

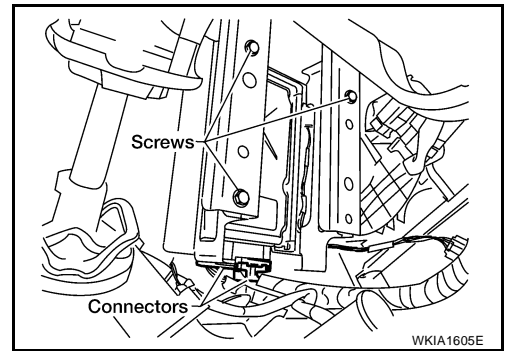
### BOSE SPEAKER AMP.

#### Removal

1. Remove BCM. Refer to [BCS-20, "Removal and Installation"](#) .
2. Remove accelerator pedal. Refer to [ACC-3, "ACCELERATOR CONTROL SYSTEM"](#) .
3. Disconnect Bose speaker amp. connector.

# AUDIO

4. Remove Bose speaker amp. and bracket assembly and slide Bose speaker amp. bracket assembly down.



5. Remove Bose speaker amp.screws.
6. Remove Bose speaker amp.

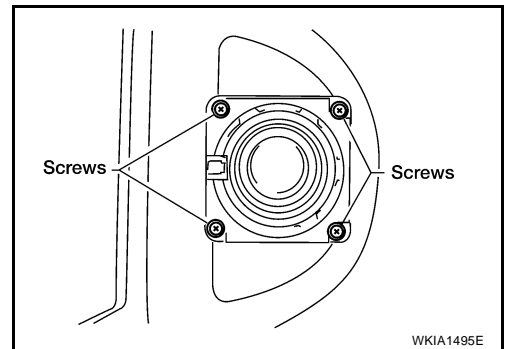
## Installation

Installation is in the reverse order of removal.

## CENTER SPEAKER

### Removal

1. Remove control device. Refer to [AT-226, "Control Device Removal and Installation"](#) .
2. Remove center console. Refer to [IP-15, "CENTER CONSOLE"](#) .
3. Remove cluster lid D. Refer to [IP-12, "CLUSTER LID D"](#) .
4. Remove center speaker screws.
5. Disconnect center speaker connector.
6. Remove center speaker.



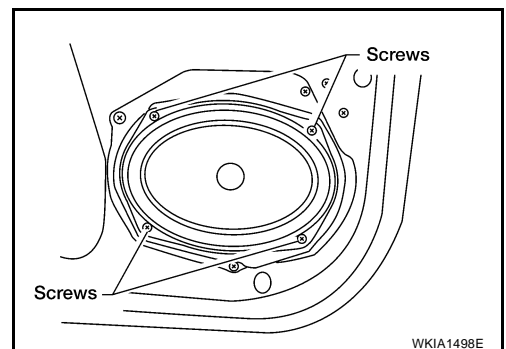
## Installation

Installation is in the reverse order of removal.

## FRONT DOOR SPEAKER

### Removal

1. Remove front door finisher. Refer to [EI-29, "FRONT DOOR"](#) .
2. Remove front door speaker screws.
3. Disconnect front door speaker connector.
4. Remove front door speaker.



## Installation

Installation is in the reverse order of removal.

## FRONT TWEETER

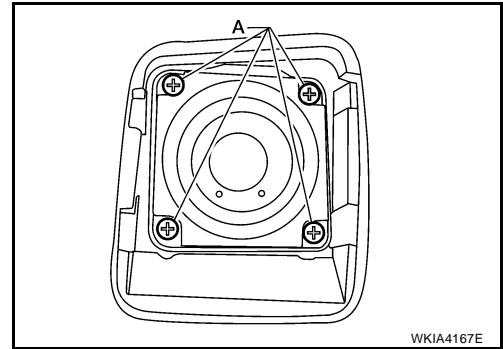
### Removal

1. Remove front tweeter grille. Refer to [IP-10, "INSTRUMENT PANEL"](#) .

A  
B  
C  
D  
E  
F  
G  
H  
I  
J  
AV

# AUDIO

2. Remove front tweeter screws (A).
3. Disconnect front tweeter connector.
4. Remove front tweeter.



## Installation

Installation is in the reverse order of removal.

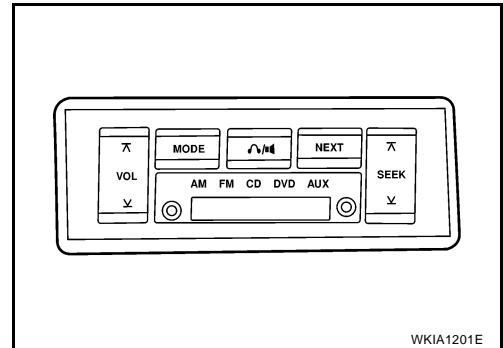
## REAR AUDIO REMOTE CONTROL UNIT

### Removal

#### CAUTION:

Wrap removal tool with clean shop cloth to prevent damage to rear roof console assembly or headliner.

1. Carefully remove rear roof console finisher. Refer to [EI-35, "HEADLINING"](#).
2. Remove rear audio remote control unit.
3. Disconnect connector.
4. Remove the rear audio remote control unit.



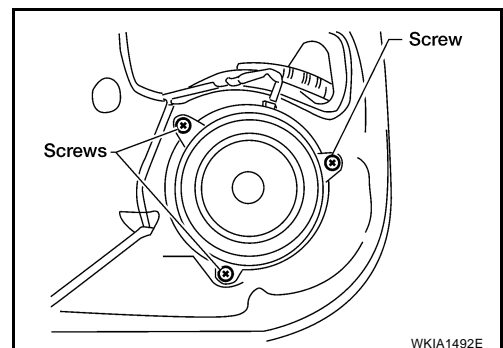
## Installation

Installation is in the reverse order of removal.

## REAR DOOR SPEAKER

### Removal

1. Remove rear door finisher. Refer to [EI-30, "REAR DOOR"](#).
2. Remove rear door speaker screws.
3. Disconnect rear door speaker connector.
4. Remove rear door speaker.



## Installation

Installation is in the reverse order of removal.

## REAR DOOR TWEETER

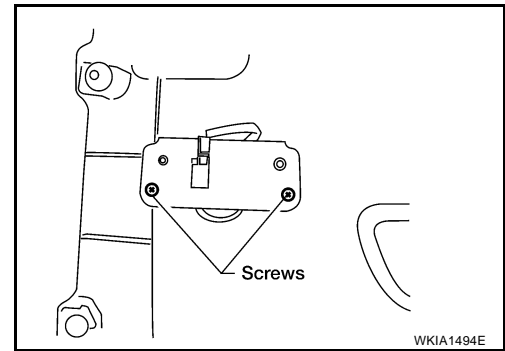
### Removal

1. Remove rear door finisher. Refer to [EI-30, "REAR DOOR"](#).



# AUDIO

2. Remove rear door tweeter screws.
3. Remove rear door tweeter.



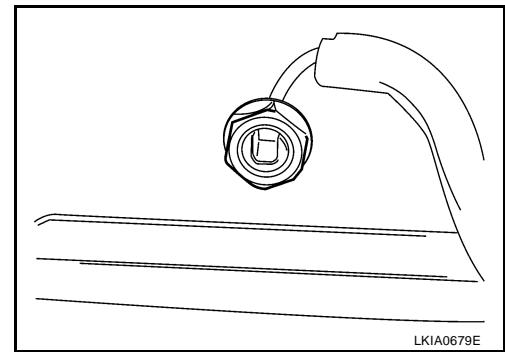
## Installation

Installation is in the reverse order of removal.

## SATELLITE RADIO ANTENNA

### Removal

1. Lower headliner. Refer to [EI-35, "HEADLINING"](#) .
2. Disconnect satellite radio antenna connector.
3. Remove satellite radio antenna nut.
4. Remove satellite radio antenna.



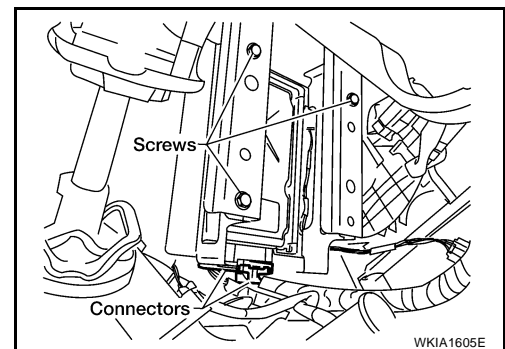
## Installation

Installation is in the reverse order of removal.

## SATELLITE RADIO TUNER

### Removal

1. Remove accelerator pedal. Refer to [ACC-3, "ACCELERATOR CONTROL SYSTEM"](#) .
2. Remove BCM. Refer to [BCS-20, "Removal and Installation"](#) .
3. Disconnect Bose speaker amp. and satellite radio tuner connectors.
4. Remove Bose speaker amp./satellite radio tuner bracket screws and slide Bose speaker amp./satellite radio tuner bracket down.



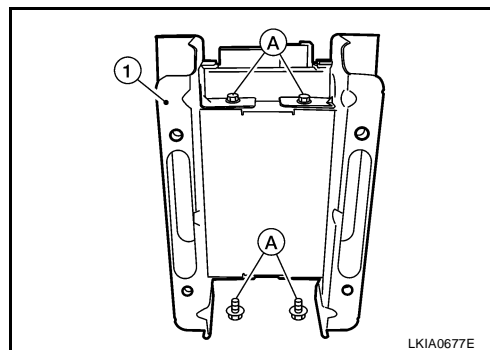
A  
B  
C  
D  
E  
F  
G  
H  
I  
J

AV

L  
M

## AUDIO

5. Remove satellite radio tuner screws (A).
6. Remove satellite radio tuner from Bose speaker amp./satellite radio tuner bracket (1).



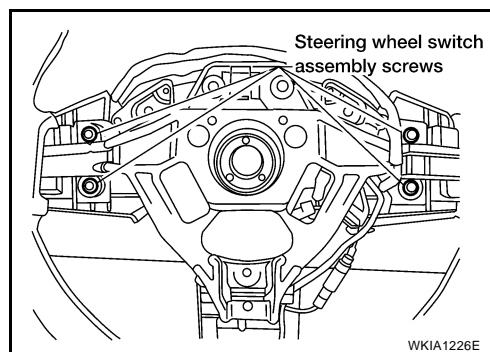
### Installation

Installation is in the reverse order of removal.

## STEERING WHEEL AUDIO CONTROL SWITCHES

### Removal

1. Remove steering wheel. Refer to [PS-9, "Removal and Installation"](#).
2. Remove steering wheel rear cover.
3. Remove steering wheel audio control switches.



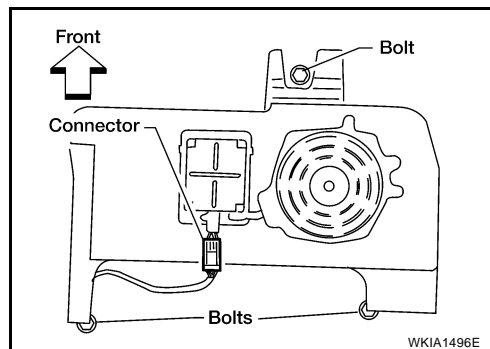
### Installation

Installation is in the reverse order of removal.

## SUBWOOFER (BOSE SYSTEM)

### Removal

1. Remove front seat LH. Refer to [SE-85, "FRONT SEAT"](#).
2. Disconnect the subwoofer connector.
3. Remove the subwoofer bolts.
4. Remove the subwoofer.



### Installation

Installation is in the reverse order of removal.

# AUDIO ANTENNA

## AUDIO ANTENNA

PFP:28200

### System Description

EKS00B41

With the ignition switch in ACC or ON, power is supplied

- through 10A fuse [No. 4, located in the fuse block (J/B)]
- to audio unit terminal 10.

Ground is supplied through the case of the antenna amp.

When the audio unit switch is turned ON, antenna signal is supplied

- through audio unit terminal 5
- to the antenna amp. terminal 1.

Then the antenna amp. is activated.

The amplified radio signals are supplied to the audio unit through the antenna amp.

A

B

C

D

E

F

G

H

I

J

AV

L

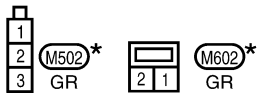
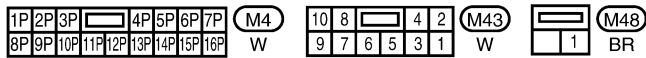
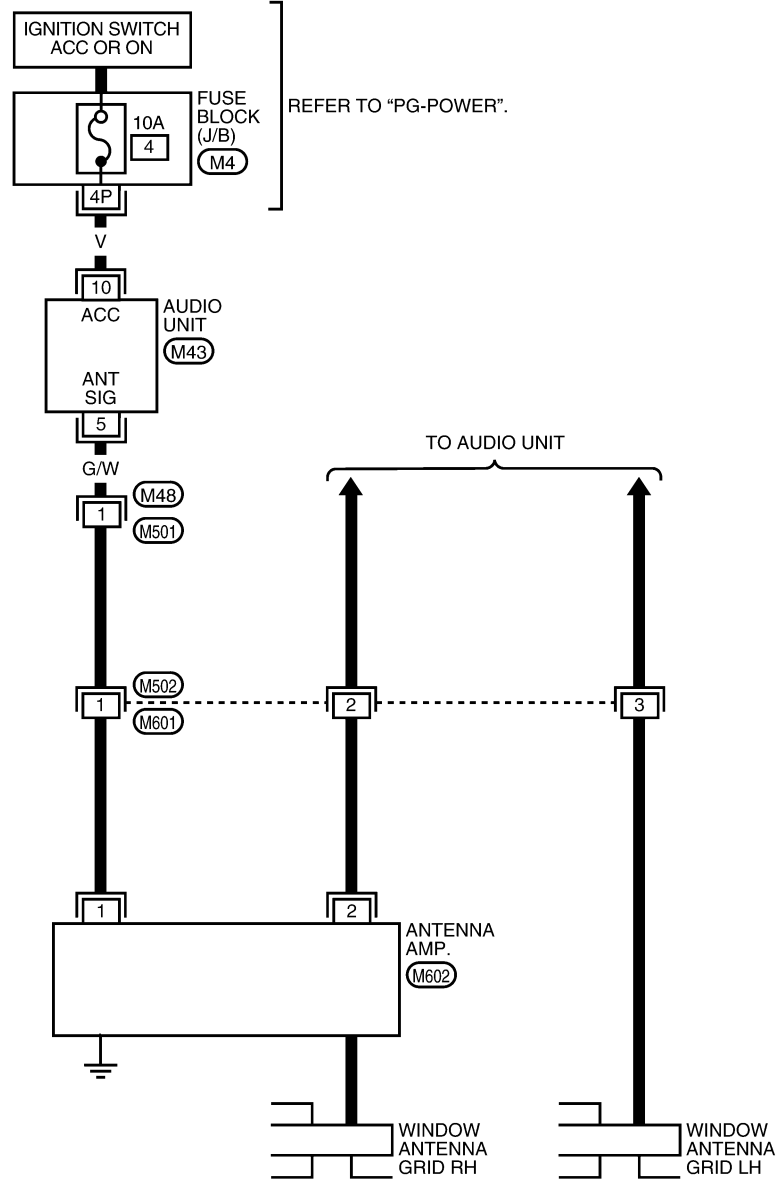
M

# AUDIO ANTENNA

## Wiring Diagram — W/ANT —

EKS00B42

### AV-W/ANT-01



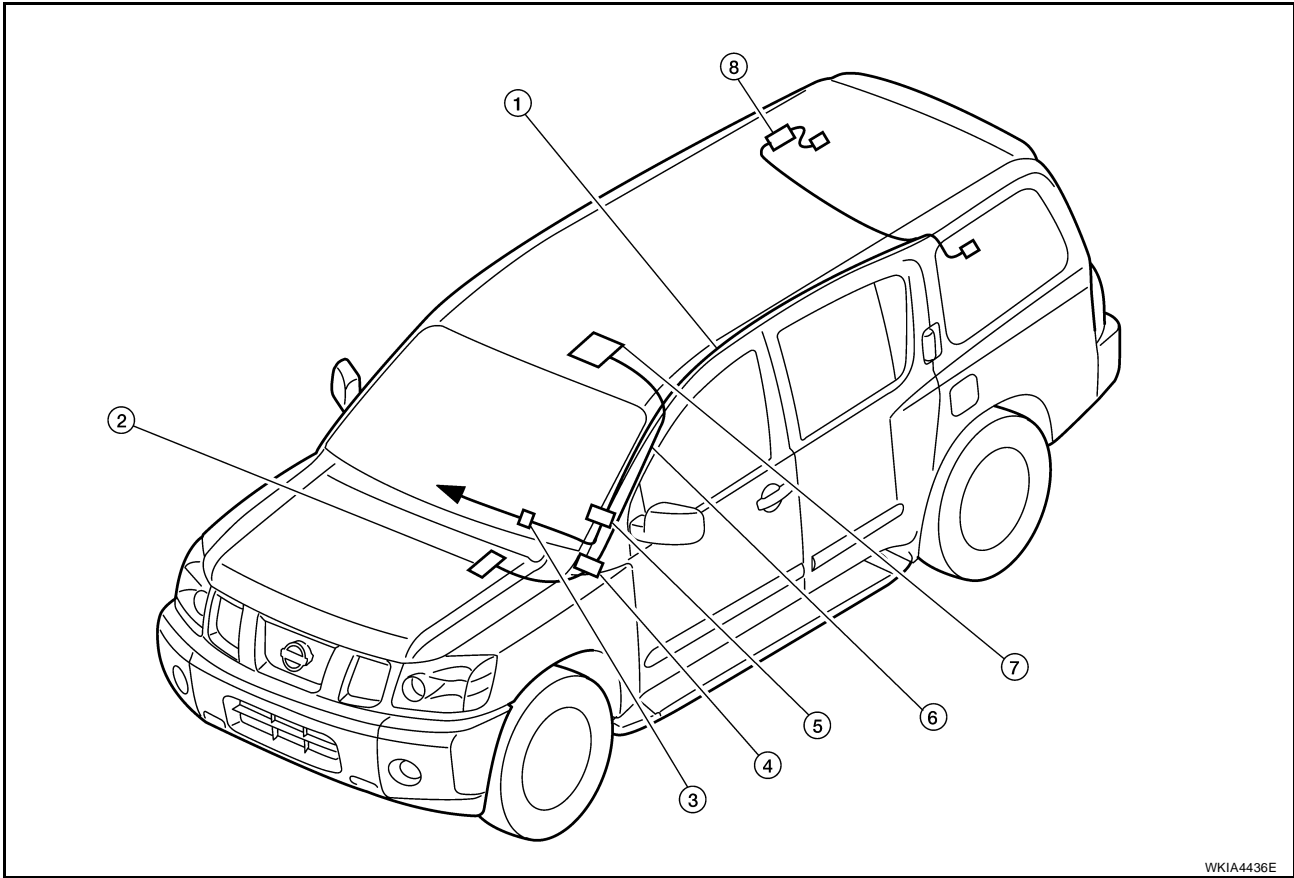
\* : THIS CONNECTOR IS NOT SHOWN IN "HARNESS LAYOUT" OF PG SECTION.

WKWA2285E

# AUDIO ANTENNA

## Location of Antenna

EKS00B43



WKIA4436E

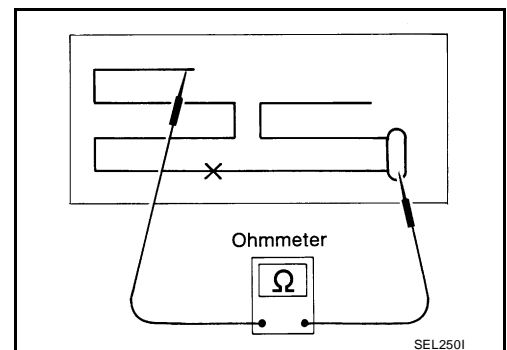
←: To audio unit

- |   |                          |                             |
|---|--------------------------|-----------------------------|
| 1. Antenna Feeder   | 2. Satellite radio tuner | 3. M48, M501                |
| 4. M68, M350  | 5. M502, M604            | 6. Satellite antenna feeder |
| 7. Satellite antenna (if equipped, factory installed)<br>M351 | 8. Antenna amp           |                             |

## Window Antenna Repair ELEMENT CHECK

EKS00B44

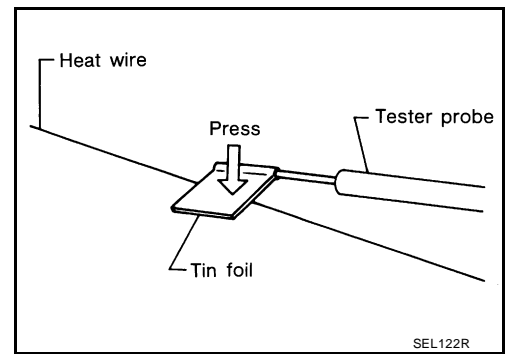
1. Attach probe circuit tester (ohm setting) to antenna terminal on each side.



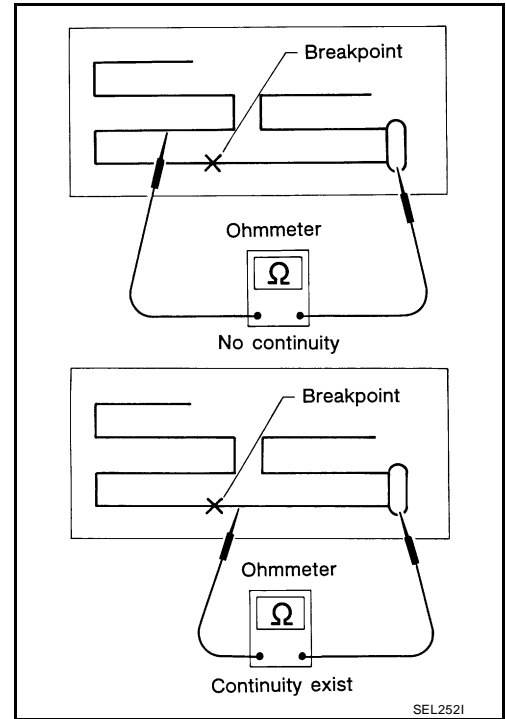
SEL250I

# AUDIO ANTENNA

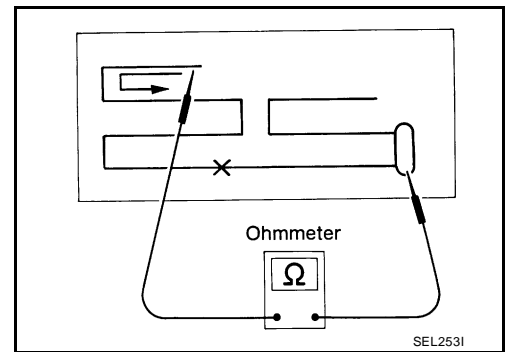
- When measuring continuity, wrap tin foil around the top of probe. Then, press the foil against the wire with your finger.



2. If an element is broken, no continuity will exist.



3. To locate a break, move probe along element. Tester indication will change abruptly when probe passes the broken point.



## ELEMENT REPAIR

Refer to [GW-94, "Filament Repair"](#) .

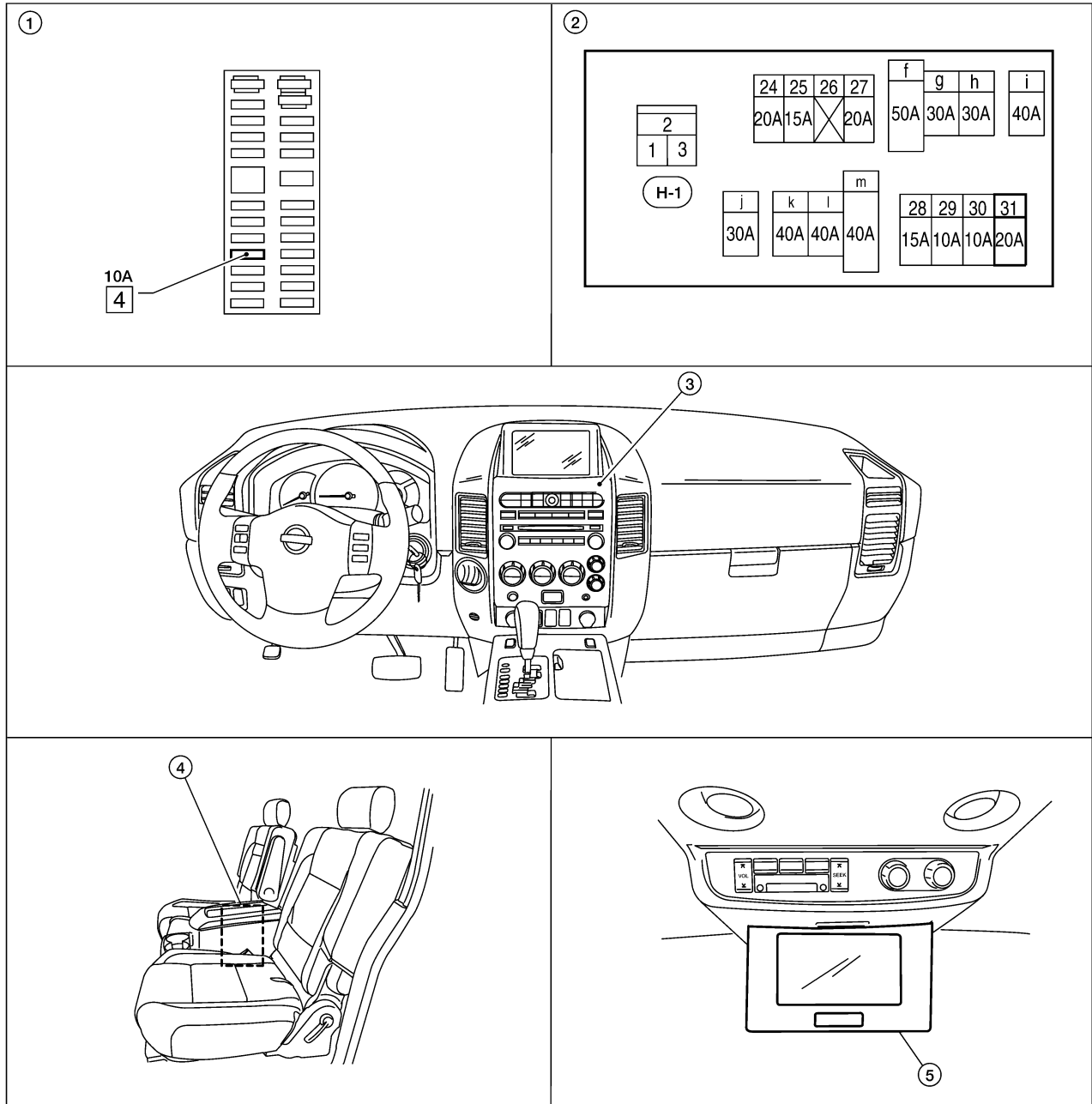
# DVD ENTERTAINMENT SYSTEM

## DVD ENTERTAINMENT SYSTEM

PFP:28184

### Component Parts and Harness Connector Location

EKS00B45



WKIA4437E

1. Fuse block (J/B)

2. Fuse and fusible link box

3. Audio unit  
M46

4. DVD player  
M205, M206

5. Video monitor  
R202

A  
B  
C  
D  
E  
F  
G  
H  
I  
J  
L  
M

AV

# DVD ENTERTAINMENT SYSTEM

---

EKS00B46

## System Description

Refer to Owner's Manual for DVD entertainment system operating instructions.

Power is supplied at all times

- through 20A fuse (No. 31, located in the fuse and fusible link box)
- to DVD player terminal 16.

With the ignition switch in the ACC or ON position, power is supplied

- through 10A fuse [No. 4, located in the fuse block (J/B)]
- to DVD player terminal 15.

Power is also supplied

- from DVD player terminals 31 and 32
- to video monitor terminals 11 and 12.

Ground is supplied

- to DVD player terminal 22
- through body grounds M57, M61 and M79.

Audio signals are supplied

- through DVD player terminals 1, 2, 3 and 4
- to audio unit terminals 34, 35, 36 and 37.

Video signals are supplied

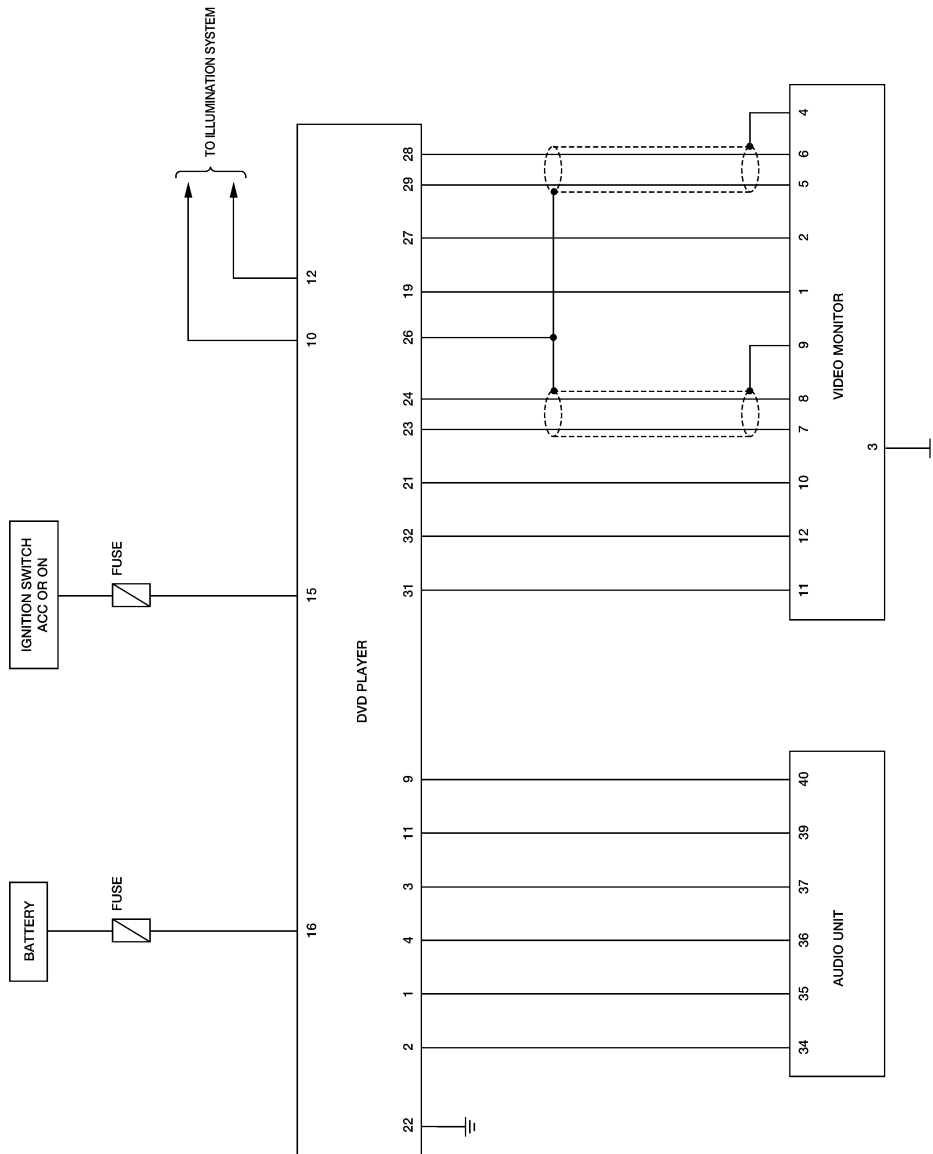
- through DVD player terminals 23, 24, 28 and 29
- to video monitor terminals 5, 6, 7 and 8.



# DVD ENTERTAINMENT SYSTEM

## Schematic

EKS00B47



A  
B  
C  
D  
E  
F  
G  
H  
I  
J  
AV  
L  
M

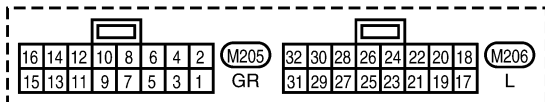
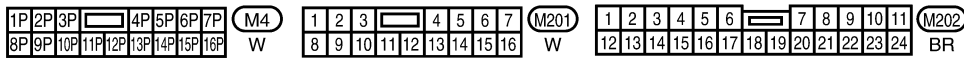
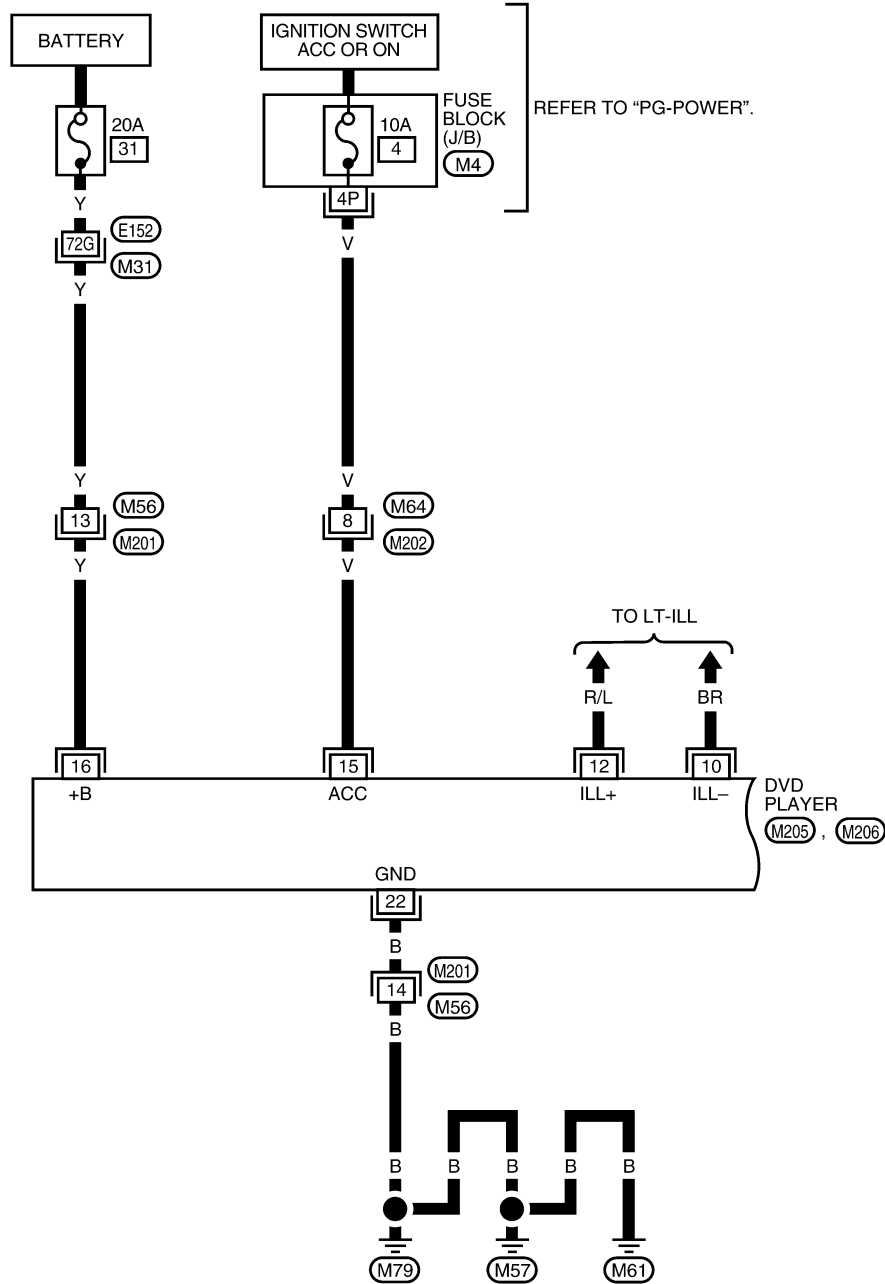
WKWA0801E

# DVD ENTERTAINMENT SYSTEM

## Wiring Diagram — DVD —

EKS00B48

### AV-DVD-01



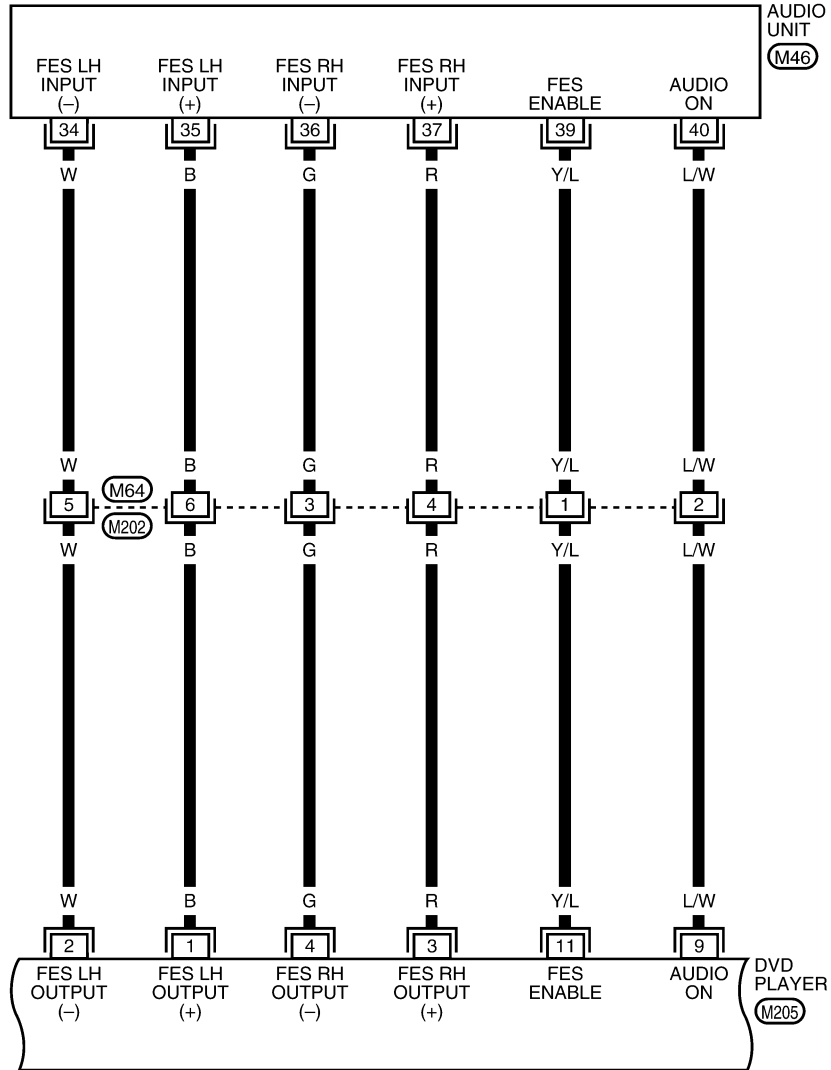
REFER TO THE FOLLOWING.

(M31) - SUPER MULTIPLE JUNCTION (SMJ)

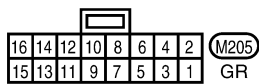
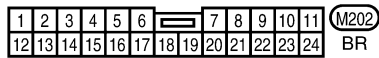
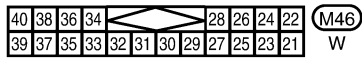
WKWA2286E

# DVD ENTERTAINMENT SYSTEM

AV-DVD-02



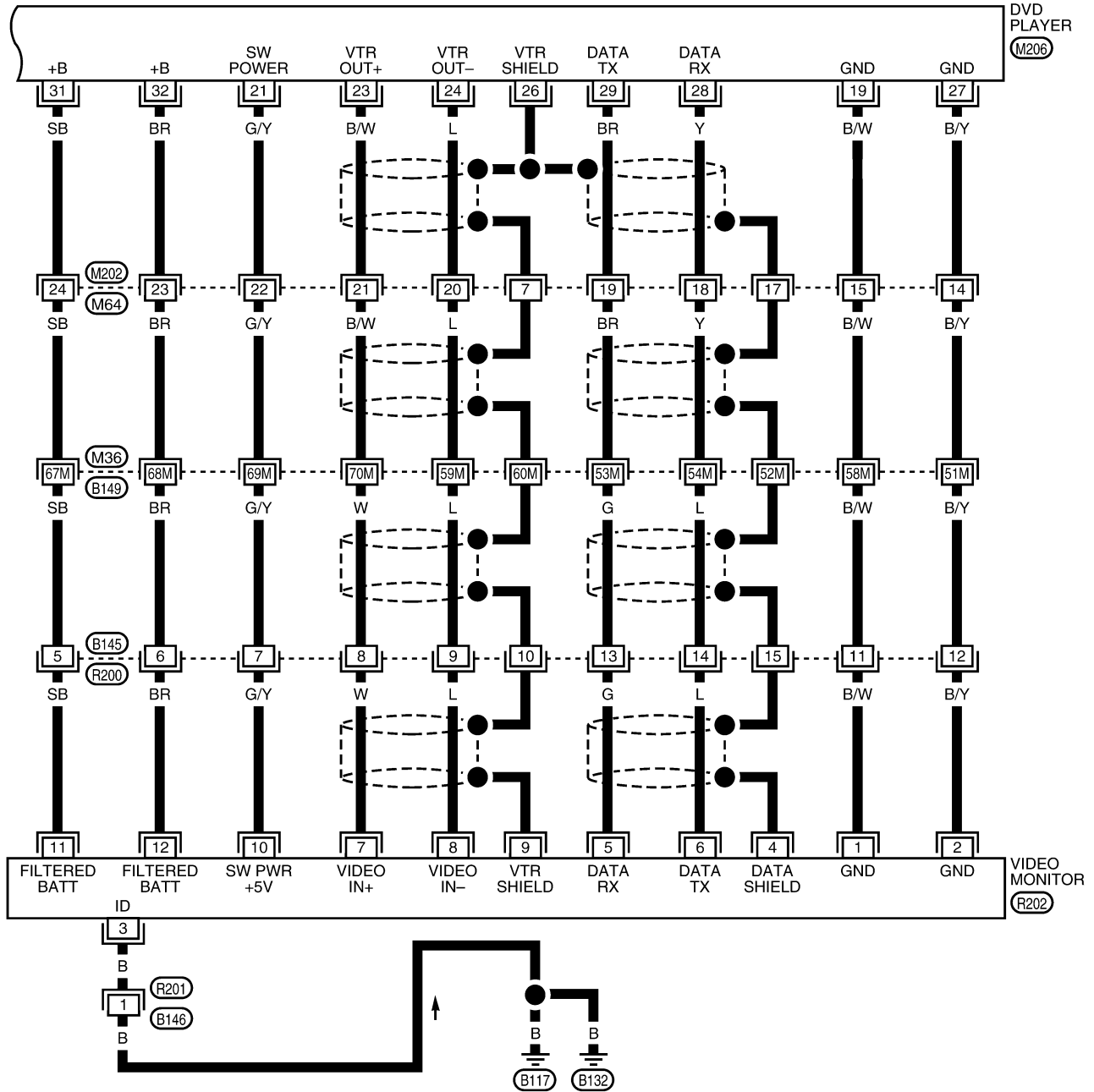
A  
B  
C  
D  
E  
F  
G  
H  
I  
J  
AV  
L  
M



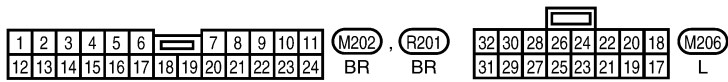
WKWA1188E

# DVD ENTERTAINMENT SYSTEM

AV-DVD-03



REFER TO THE FOLLOWING.  
 (M36) - SUPER MULTIPLE JUNCTION (SMJ)



WKWA3443E

# DVD ENTERTAINMENT SYSTEM

## Trouble Diagnosis

EKS00B49

Symptom	Possible causes	Repair order
DVD player inoperative	<ol style="list-style-type: none"> <li>1. Power supply</li> <li>2. Ground circuit</li> <li>3. Audio enable circuit</li> <li>4. DVD enable signal</li> <li>5. Audio enable signal</li> <li>6. DVD player</li> <li>7. Audio unit</li> </ol>	<ol style="list-style-type: none"> <li>1. Refer to <a href="#">AV-86, "Power Supply Circuit Inspection"</a>.</li> <li>2. Refer to <a href="#">AV-86, "Power Supply Circuit Inspection"</a>.</li> <li>3. Check audio enable circuits for open or short between audio unit terminals 39, 40 and DVD player terminals 11, 9.</li> <li>4. Push power switch of DVD player and verify approx. 5V is present at terminal 39 of audio unit.</li> <li>5. Push power switch of DVD player and verify approx. 5V is present at terminal 9 of DVD player.</li> <li>6. Remove DVD player for repair.</li> <li>7. Remove audio unit for repair.</li> </ol>
No sound when playing DVD	<ol style="list-style-type: none"> <li>1. Audio signal circuits</li> <li>2. DVD player</li> <li>3. Audio unit</li> </ol>	<ol style="list-style-type: none"> <li>1. Check audio signal circuits for open or short between DVD player terminals 1, 2, 3 and 4 and audio unit terminals 34, 35, 36 and 37.</li> <li>2. Remove DVD player for repair.</li> <li>3. Remove audio unit for repair.</li> </ol>
Video monitor is inoperative/does not operate properly	<ol style="list-style-type: none"> <li>1. Power supply</li> <li>2. Video monitor ground circuit</li> <li>3. Video circuits</li> <li>4. Data signal</li> <li>5. Video monitor</li> <li>6. DVD player</li> </ol>	<ol style="list-style-type: none"> <li>1. Operate DVD player and verify battery positive voltage is present at terminals 11 and 12 of video monitor. Verify approximately 5 volts is present at terminal 10 of video monitor.</li> <li>2. Check video monitor ground circuits between DVD player terminals 19 and 27 and video monitor terminals 1 and 2.</li> <li>3. Check video circuits between DVD player terminals 23 and 24 and video monitor terminals 7 and 8.</li> <li>4. Check data signal circuit for open or short between DVD player terminal 29 and video monitor terminal 5.</li> <li>5. Remove video monitor for repair.</li> <li>6. Remove DVD player for repair.</li> </ol>
DVD remote control is inoperative/does not operate properly	<ol style="list-style-type: none"> <li>1. Data signal</li> <li>2. DVD player remote control batteries</li> <li>3. DVD player remote control</li> <li>4. Video monitor</li> </ol>	<ol style="list-style-type: none"> <li>1. Check data signal circuit for open or short between DVD player terminal 28 and video monitor terminal 6.</li> <li>2. Replace DVD player remote control batteries.</li> <li>3. Replace DVD player remote control.</li> <li>4. Remove video monitor for repair.</li> </ol>
Headphones inoperative	<ol style="list-style-type: none"> <li>1. Headphone batteries</li> <li>2. Headphones</li> <li>3. Rear audio remote control unit</li> </ol>	<ol style="list-style-type: none"> <li>1. Replace headphone batteries.</li> <li>2. Replace headphones.</li> <li>3. Replace rear audio remote control unit.</li> </ol>
Snowy video/poor audio	<ol style="list-style-type: none"> <li>1. Harness or connectors</li> <li>2. DVD player</li> </ol>	<ol style="list-style-type: none"> <li>1. Check harness and connectors for open or short.</li> <li>2. Check DVD player.</li> </ol>
Snowy video (audio OK)	<ol style="list-style-type: none"> <li>1. Harness or connectors</li> <li>2. DVD player</li> </ol>	<ol style="list-style-type: none"> <li>1. Check harness and connectors for open or short.</li> <li>2. Check DVD player.</li> </ol>
No video (audio OK)	<ol style="list-style-type: none"> <li>1. Harness or connectors</li> <li>2. DVD player</li> <li>3. Video monitor</li> </ol>	<ol style="list-style-type: none"> <li>1. Check harness and connectors for open or short.</li> <li>2. Check DVD player.</li> <li>3. Check video monitor.</li> </ol>
Dim video (audio OK)	<ol style="list-style-type: none"> <li>1. Harness or connectors</li> <li>2. DVD player</li> <li>3. Video monitor</li> </ol>	<ol style="list-style-type: none"> <li>1. Check harness and connectors for open or short.</li> <li>2. Check DVD player.</li> <li>3. Check video monitor.</li> </ol>

A  
B  
C  
D  
E  
F  
G  
H  
I  
J  
AV  
L  
M

# DVD ENTERTAINMENT SYSTEM

EKS00B4A

## Power Supply Circuit Inspection

### 1. CHECK FUSES

Check that the following fuses are not blown.

Unit	Terminals	Signal name	Fuse No.
DVD player	16	Battery power	31
	15	Ignition switch ACC or ON	4

OK or NG

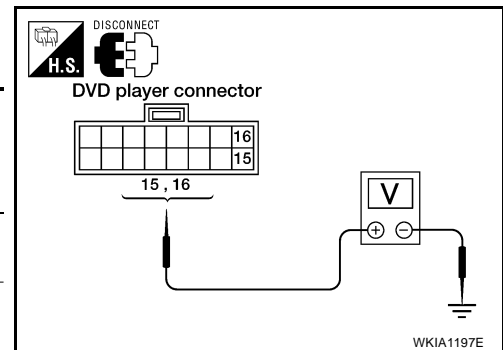
OK >> GO TO 2.

NG >> If fuse is blown, be sure to eliminate cause of problem before installing new fuse. Refer to [PG-4, "POWER SUPPLY ROUTING CIRCUIT"](#).

### 2. POWER SUPPLY CIRCUIT CHECK

1. Disconnect DVD player connector M205.
2. Check voltage between the DVD player and ground.

Unit	Terminal No.		OFF	ACC	ON	
	(+)					
	Connector	Terminal				
DVD player	M205	16	Ground	Battery voltage	Battery voltage	Battery voltage
		15	Ground	0V	Battery voltage	Battery voltage



OK or NG

OK >> GO TO 3.

- NG >>
- Check connector housings for disconnected or loose terminals.
  - Repair harness or connector.

### 3. GROUND CIRCUIT CHECK

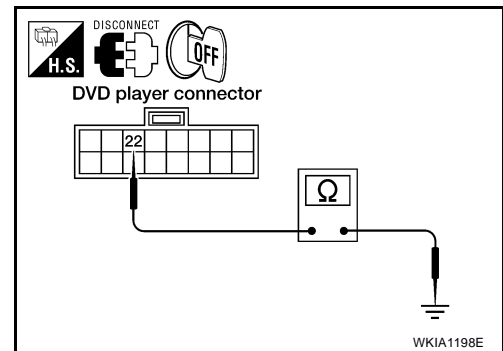
Check continuity between DVD player harness connector M206 terminal 22 and ground.

**Continuity should exist.**

OK or NG

OK >> Inspection End.

- NG >>
- Check connector housings for disconnected or loose terminals.
  - Repair harness or connector.



# DVD ENTERTAINMENT SYSTEM

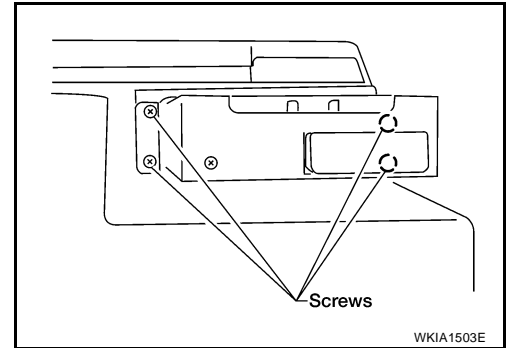
EKS00B4B

## Removal and Installation

### DVD PLAYER

#### Removal

1. Disconnect negative battery cable.
2. Remove center console bin. Refer to [IP-16, "Disassembly and Assembly"](#).
3. Disconnect DVD player connector.
4. Remove DVD player screws.



5. Remove DVD player.

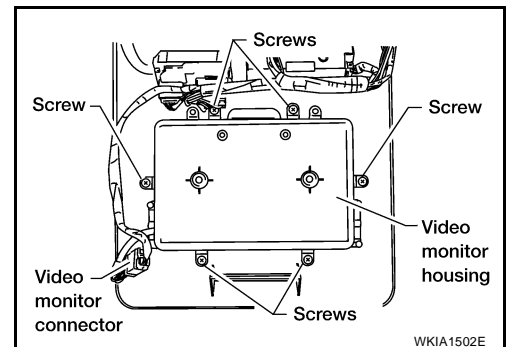
#### Installation

Installation is in reverse order of removal.

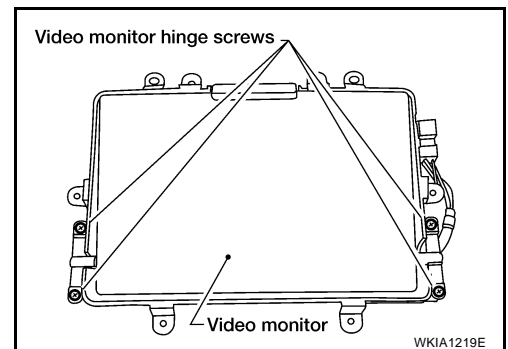
### VIDEO MONITOR

#### Removal

1. Remove rear roof console. Refer to [EI-35, "HEADLINING"](#).
2. Disconnect video monitor connector.
3. Remove video monitor housing.



4. Remove video monitor hinge screws.
5. Remove video monitor.



#### Installation

Installation is in reverse order of removal.

A  
B  
C  
D  
E  
F  
G  
H  
I  
J  
AV  
L  
M

## NAVIGATION SYSTEM

PDF:25915

### System Description

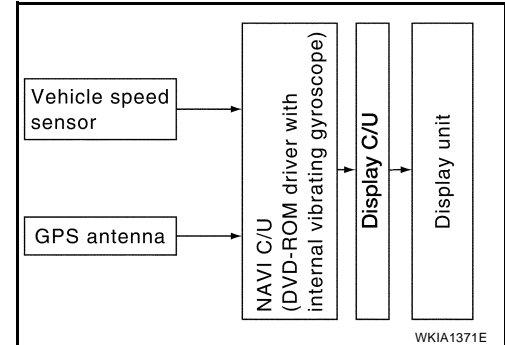
EKS00B4D

**NOTE:**

Refer to NAVI System Owner's Manual for system operation.

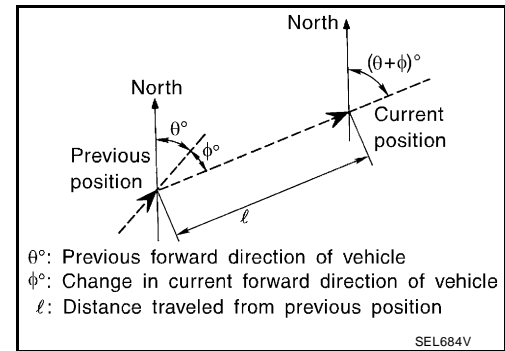
The navigation system periodically calculates the vehicle's current position according to the following three signals: Travel distance of the vehicle as determined by the vehicle speed sensor, turning angle of the vehicle as determined by the gyroscope (angular velocity sensor), and the direction of vehicle travel as determined by the GPS antenna (GPS information).

The current position of the vehicle is then identified by comparing the calculated vehicle position with map data read from the map DVD-ROM, which is stored in the DVD-ROM drive (map-matching), and indicated on the screen with a current-location mark.



By comparing the vehicle position detection results found by the GPS and by map-matching, more accurate vehicle position data can be used.

The current vehicle position will be calculated by detecting the distance the vehicle moved from the previous calculation point and its direction.



### TRAVEL DISTANCE

Travel distance calculations are based on the vehicle speed sensor input signal. Therefore, the calculation may become incorrect as the tires wear down. To prevent this, an automatic distance fine adjustment function has been adopted. Adjustments can be made in extreme cases such as driving with tire chain fitted on tires.

### TRAVEL DIRECTION

Change in the travel direction of the vehicle is calculated by a gyroscope (angular velocity sensor) and a GPS antenna (GPS information). As the gyroscope and GPS antenna have both merit and demerit, input signals from them are prioritized in each situation. However, this order of priority may change in accordance with more detailed travel conditions so that the travel direction is detected more accurately.

Type	Advantage	Disadvantage
Gyroscope (angular velocity sensor)	<ul style="list-style-type: none"> <li>Can detect the vehicle's turning angle quite accurately.</li> </ul>	<ul style="list-style-type: none"> <li>Direction errors may accumulate when the vehicle is driven for long distances without stopping.</li> </ul>
GPS antenna (GPS information)	<ul style="list-style-type: none"> <li>Can detect the vehicle's travel direction (North/South/East/West).</li> </ul>	<ul style="list-style-type: none"> <li>Correct direction cannot be detected when the vehicle speed is low.</li> </ul>



# NAVIGATION SYSTEM

## MAP-MATCHING

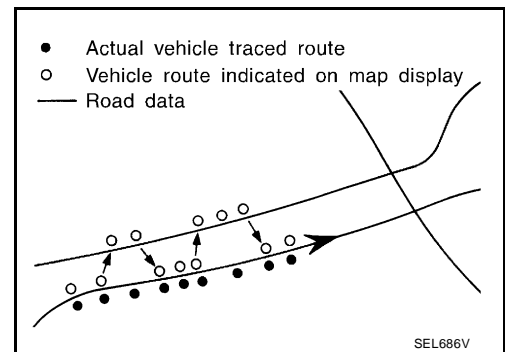
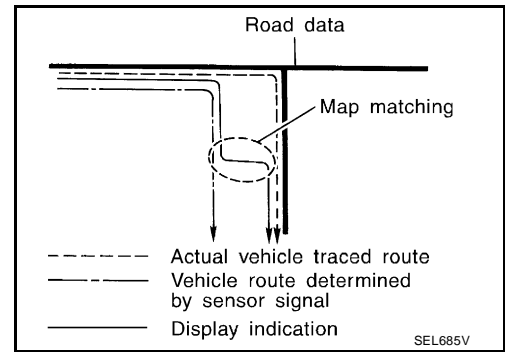
Map-matching is a function that repositions the vehicle on the road map when a new location is judged to be the most accurate. This is done by comparing the current vehicle position, calculated by the method described in the position detection principle, with the road map data around the vehicle, read from the map DVD-ROM stored in the DVD-ROM drive.

Therefore, the vehicle position may not be corrected after the vehicle is driven over a certain distance or time in which GPS information is hard to receive. In this case, the current-location mark on the display must be corrected manually.

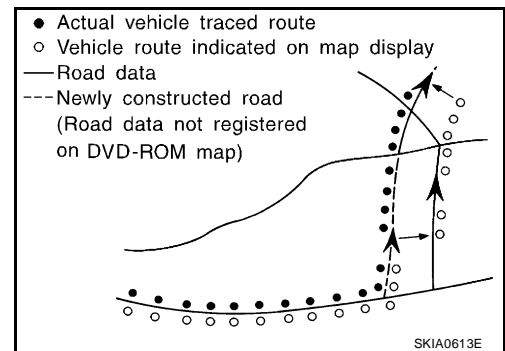
### CAUTION:

**The road map data is based on data stored in the map DVD-ROM.**

- In map-matching, alternative routes to reach the destination will be shown and prioritized, after the road on which the vehicle is currently driven has been judged and the current-location mark has been repositioned.  
If there is an error in distance and/or direction, the alternative routes will be shown in different order of priority, and the wrong road can be avoided.  
If two roads are running in parallel, they are of the same priority. Therefore, the current-location mark may appear on either of them alternately, depending on maneuvering of the steering wheel and configuration of the road.



- Map-matching does not function correctly when the road on which the vehicle is driving is new and not recorded in the map DVD-ROM, or when the road pattern stored in the map data and the actual road pattern are different due to repair.  
When driving on a road not present in the map, the map-matching function may find another road and position the current-location mark on it. Then, when the correct road is detected, the current-location mark may leap to it.
- Effective range for comparing the vehicle position and travel direction calculated by the distance and direction with the road data read from the map DVD-ROM is limited. Therefore, when there is an excessive gap between the current vehicle position and the position on the map, correction by map-matching is not possible.

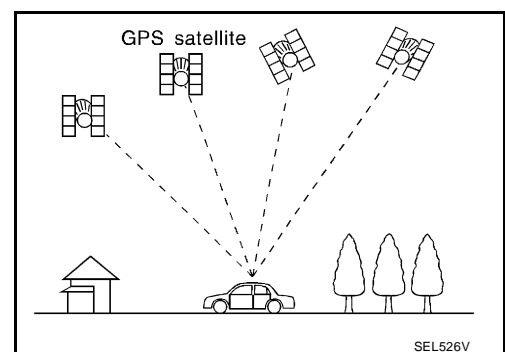


## GPS (GLOBAL POSITIONING SYSTEM)

GPS (Global Positioning System) has been developed and controlled by the US Department of Defense. The system utilizes GPS satellite (NAVSTAR), sending out radio waves while flying on an orbit around the earth at the height of approx. 21,000 km (13,000 miles). The GPS receiver calculates the vehicle's position in three dimensions (latitude/longitude/altitude) according to the time lag of the radio waves received from four or more GPS satellites (three-dimensional positioning). If radio waves were received only from three GPS satellites, the GPS receiver calculates the vehicle's position in two dimensions (latitude/longitude), utilizing the altitude data calculated previously by using radio waves from four or more GPS satellites (two-dimensional positioning).

Accuracy of the GPS will deteriorate under the following conditions.

- In two-dimensional positioning, the GPS accuracy will deteriorate when the altitude of the vehicle position changes.
- There may be an error of approximately 10 m (30 ft.) in position detected by three-dimensional positioning, which is more accurate than two-dimensional positioning. The accuracy can be even lower depending on the arrangement of the GPS satellites utilized for the positioning.



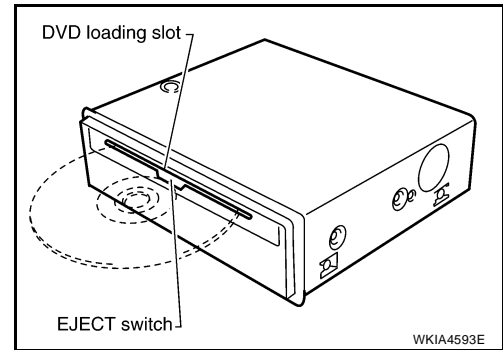
# NAVIGATION SYSTEM

- Position detection is not possible when the vehicle is in an area where radio waves from the GPS satellite do not reach, such as in a tunnel, parking lot in a building, and under an elevated highway. Radio waves from the GPS satellites may not be received when some object is located over the GPS antenna.
- Position correction by GPS is not available while the vehicle is stopped.

## COMPONENT DESCRIPTION

### NAVI Control Unit

- The gyro (angular speed sensor) and the DVD-ROM drive are built-in units that control the navigation functions.
- Signals are received from the gyro, the vehicle speed sensor, and the GPS antenna. Vehicle location is determined by combining this data with the data contained in the DVD-ROM map. Location information is shown on liquid crystal display (display unit).
- Maps, traffic control regulations, and other pertinent information can be easily read from the DVD-ROM disc.
- The oscillator gyro sensor is used to detect changes in vehicle steering angle.



### Map DVD-ROM

- The map DVD-ROM has maps, traffic control regulations, and other pertinent information.
- To improve DVD-ROM map matching and route determination functions, the DVD-ROM uses an exclusive Nissan format. Therefore, the use of a DVD-ROM provided by other manufacturers cannot be used.

### Display Control Unit

The display control unit coordinates audio and video signals between the NAVI control unit and the display unit.

### Display Unit

Displays NAVI system information.

### AV Switch

AV switch allows user to input NAVI display settings. Self diagnostics are initiated using AV switch.

### GPS Antenna

GPS antenna sends signals to NAVI control unit.

## CAN Communication System Description

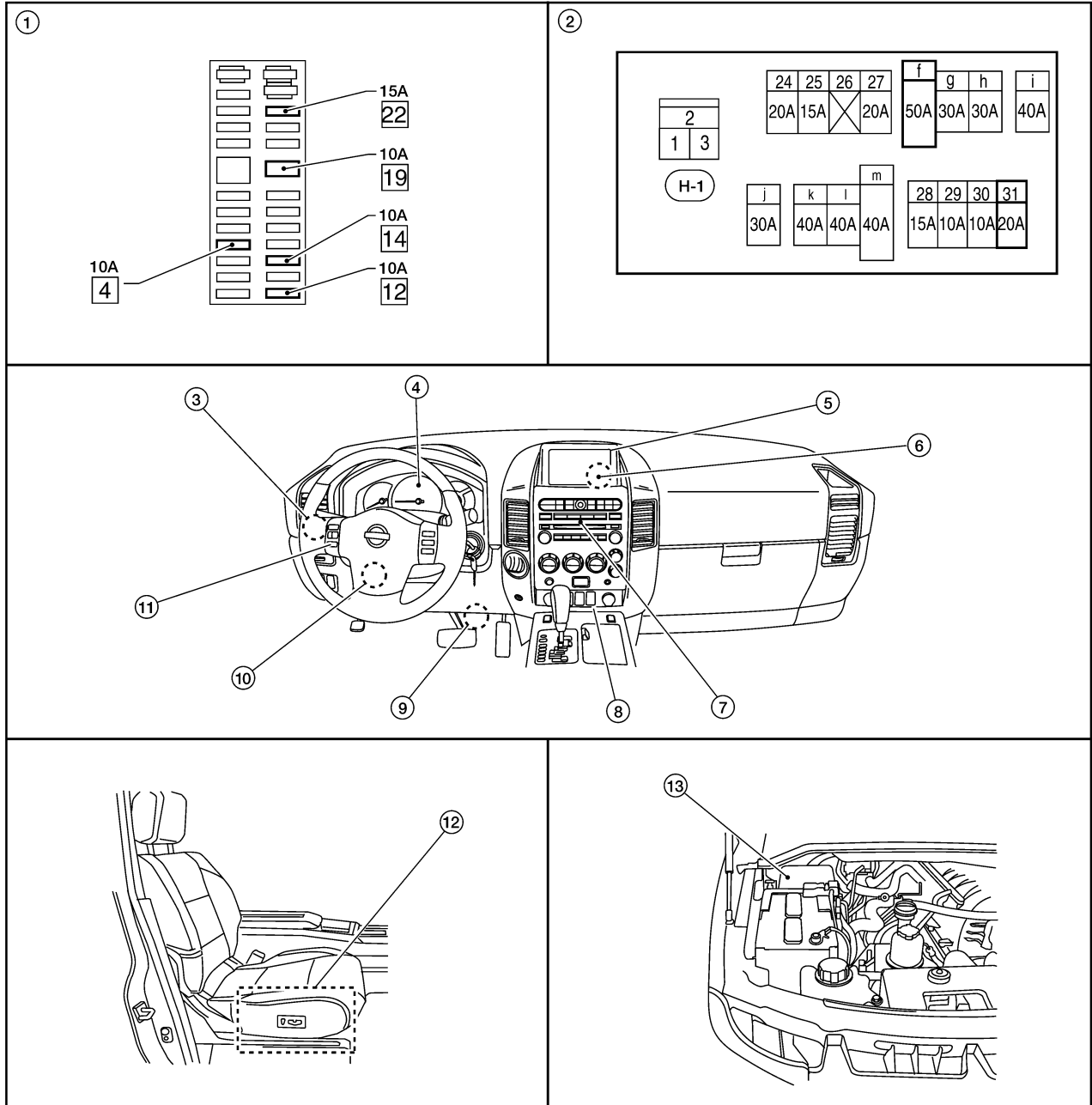
Refer to [LAN-25, "CAN COMMUNICATION"](#) .

EKS00B4E

# NAVIGATION SYSTEM

## Component Parts Location

EKS00B4F



A  
B  
C  
D  
E  
F  
G  
H  
I  
J  
L  
M

AV

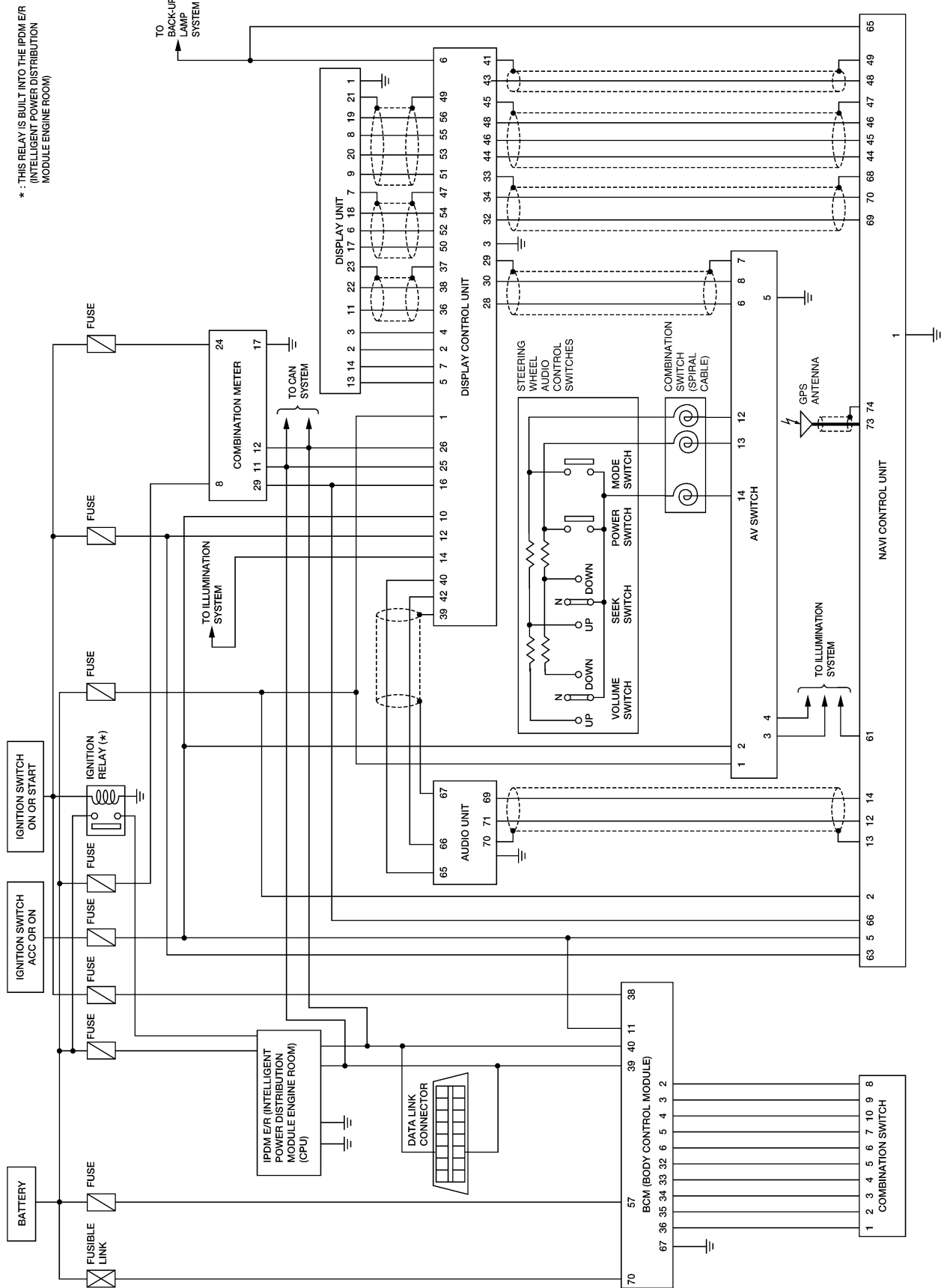
WKIA4438E

- |                             |  |   |
|-----------------------------|--|---|
| 1. Fuse block (J/B)         | 2. Fuse and fusible link box                 | 3. Combination switch<br>M28  |
| 4. Combination meter<br>M24 | 5. Display unit<br>M93                       | 6. Display control unit<br>M94, M95   |
| 7. AV switch<br>M98         | 8. Audio unit<br>M45                         | 9. Data link connector<br>M22   |
| 10. BCM<br>M18, M20         | 11. Steering wheel audio control<br>switches | 12. NAVI control unit (located under front pas-<br>senger seat)<br>B151, B152, B154 |
| 13. IPDM E/R                |  |   |

# NAVIGATION SYSTEM

## Schematic

EKS00B4G



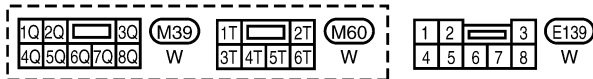
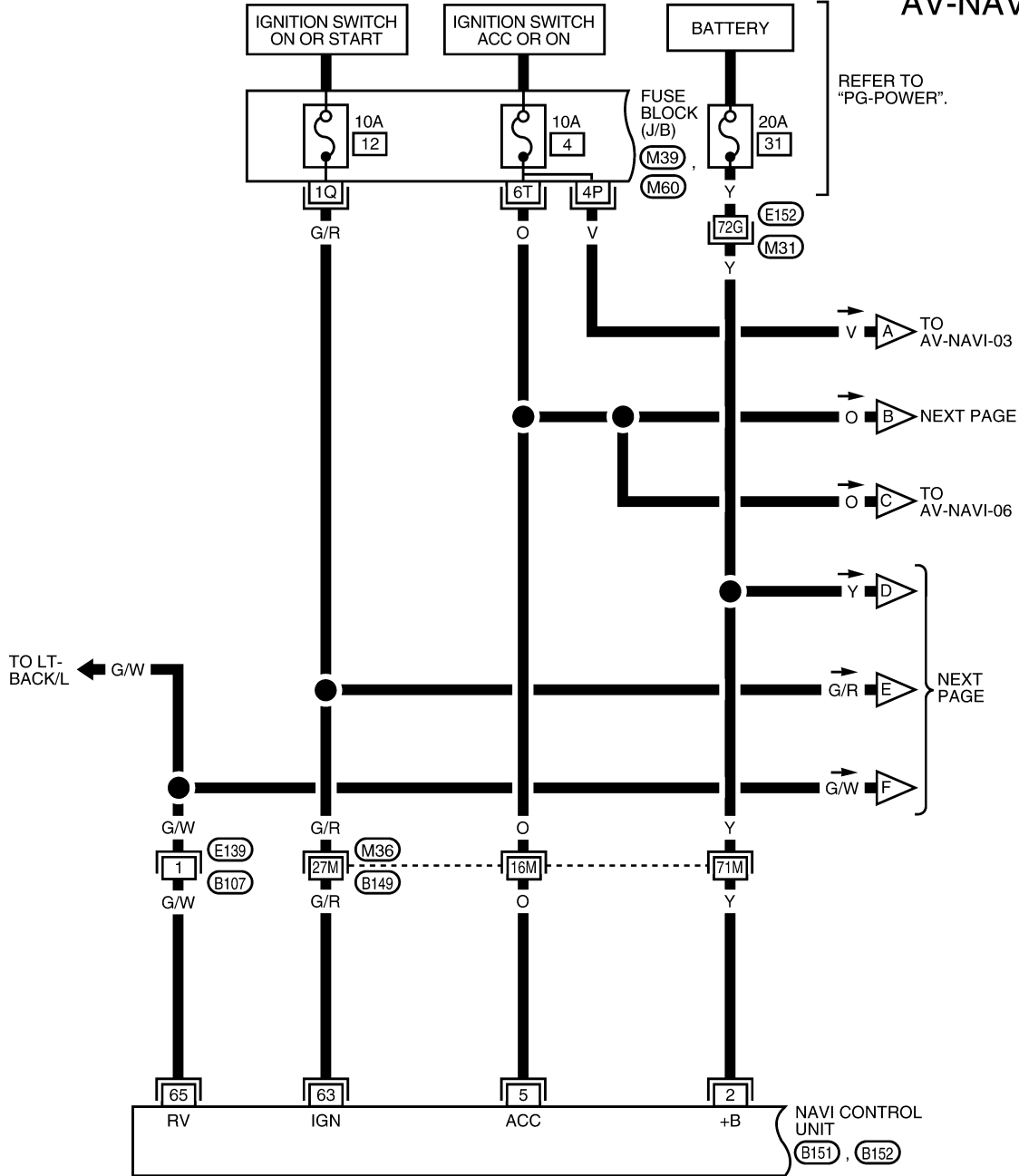
WKWA3444E

# NAVIGATION SYSTEM

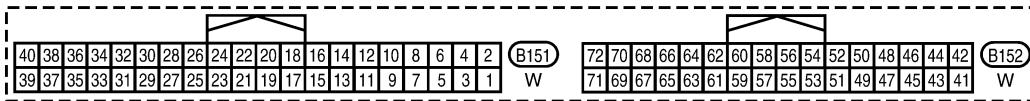
## Wiring Diagram — NAVI —

EKS00B4H

### AV-NAVI-01



REFER TO THE FOLLOWING.  
 (M31), (M36) - SUPER  
 MULTIPLE JUNCTION (SMJ)

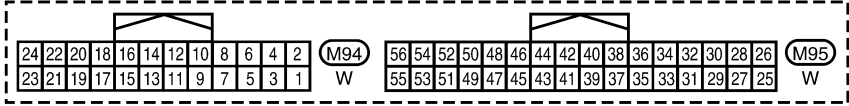
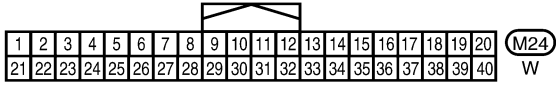
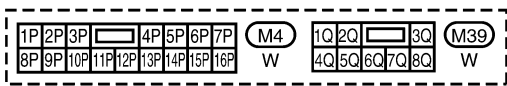
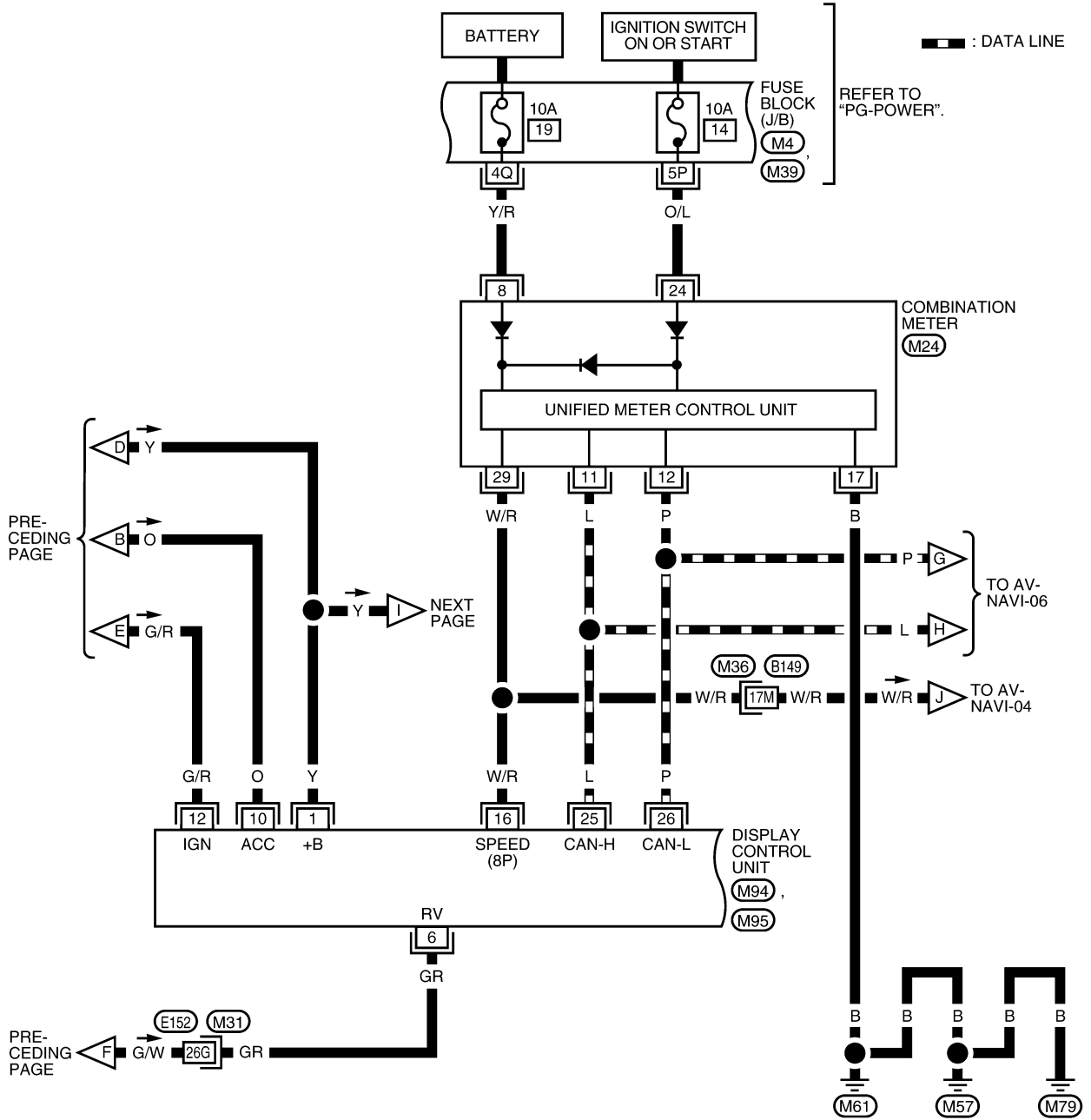


A  
B  
C  
D  
E  
F  
G  
H  
I  
J  
L  
M

AV

# NAVIGATION SYSTEM

## AV-NAVI-02

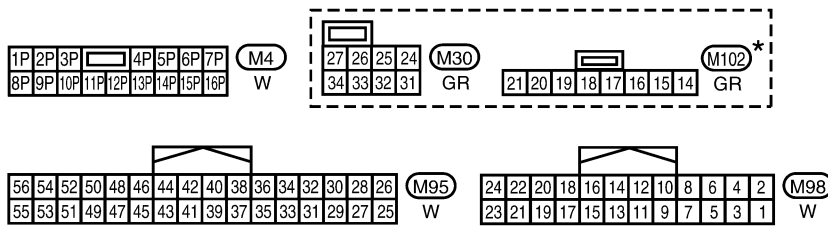
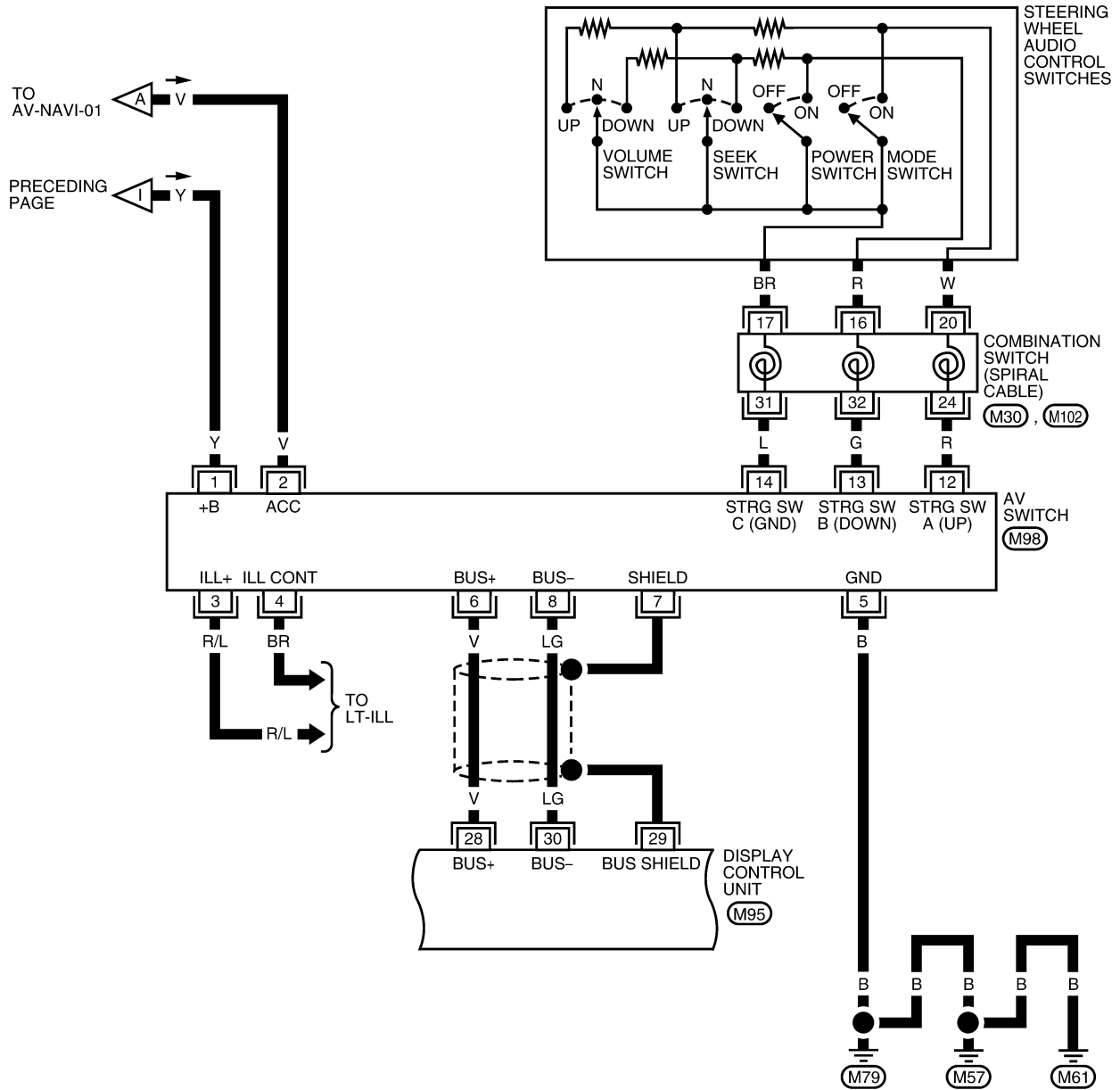


REFER TO THE FOLLOWING.  
 (M31), (M36) - SUPER  
 MULTIPLE JUNCTION (SMJ)

WKWA3446E

# NAVIGATION SYSTEM

AV-NAVI-03

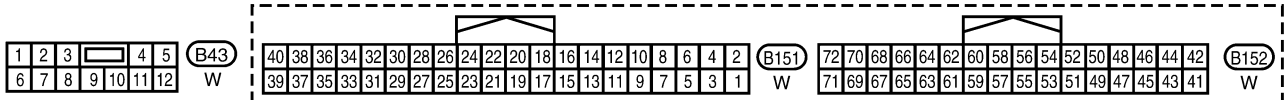
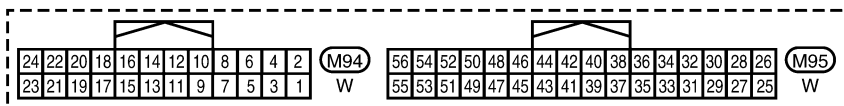
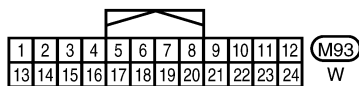
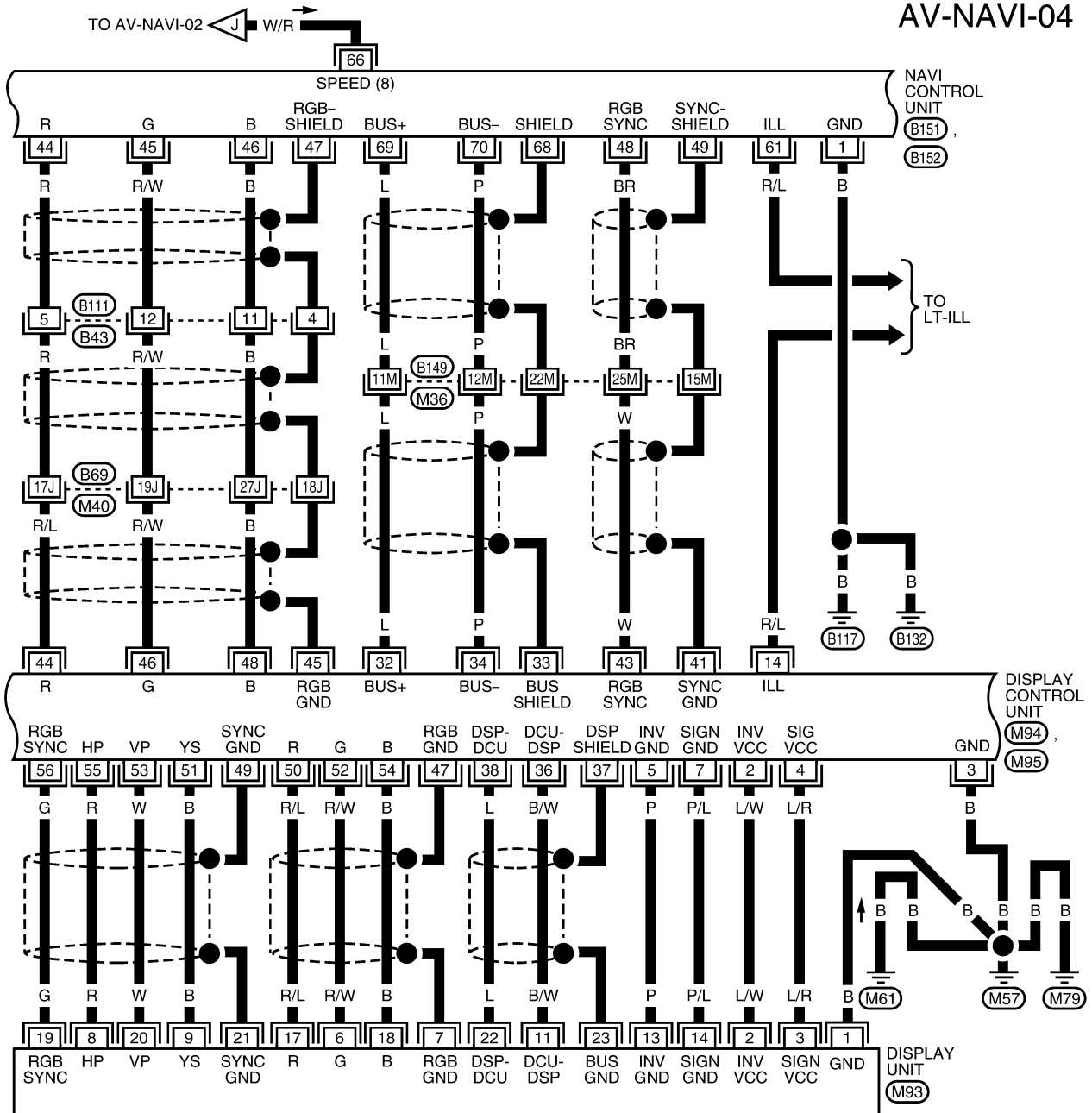


\*: THIS CONNECTOR IS NOT SHOWN IN "HARNESS LAYOUT" OF PG SECTION.

WKWA3447E

# NAVIGATION SYSTEM

AV-NAVI-04



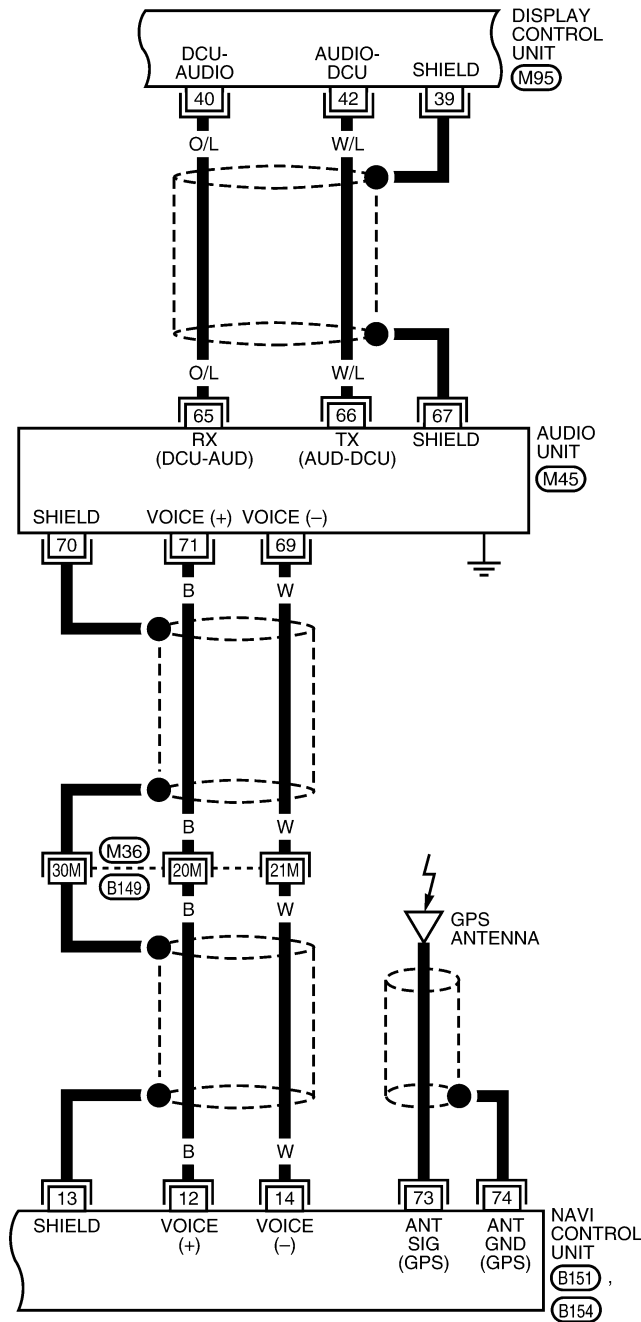
REFER TO THE FOLLOWING.  
 (M36), (M40) - SUPER  
 MULTIPLE JUNCTION (SMJ)

WKWA3448E

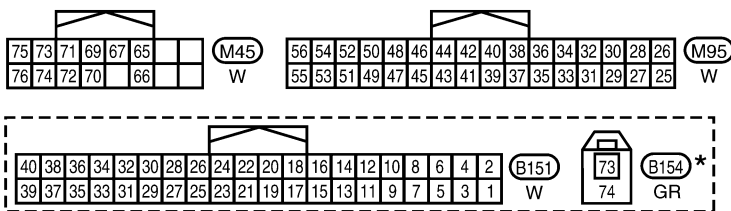


# NAVIGATION SYSTEM

AV-NAVI-05



A  
B  
C  
D  
E  
F  
G  
H  
I  
J  
AV  
L  
M



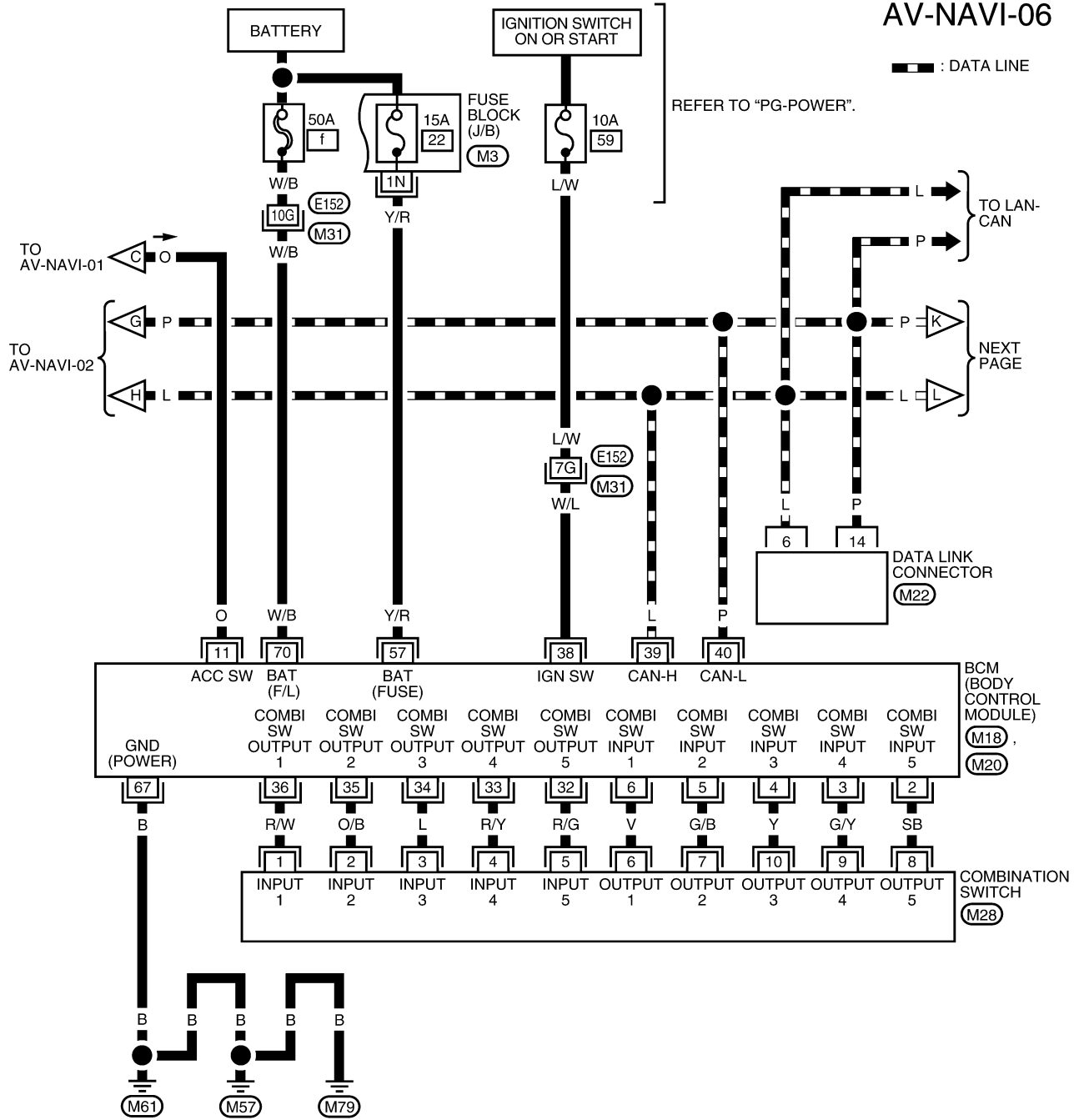
REFER TO THE FOLLOWING.  
 (M36) - SUPER MULTIPLE JUNCTION (SMJ)

\*: THIS CONNECTOR IS NOT SHOWN IN "HARNESS LAYOUT" OF PG SECTION.

WKWA3449E

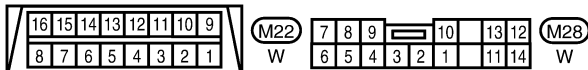
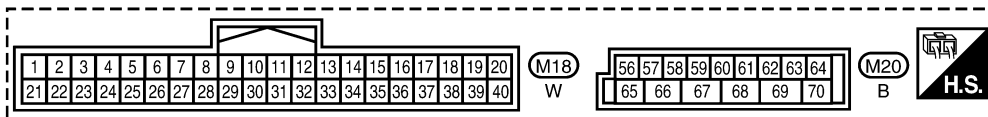
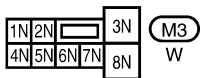
# NAVIGATION SYSTEM

## AV-NAVI-06



REFER TO THE FOLLOWING.

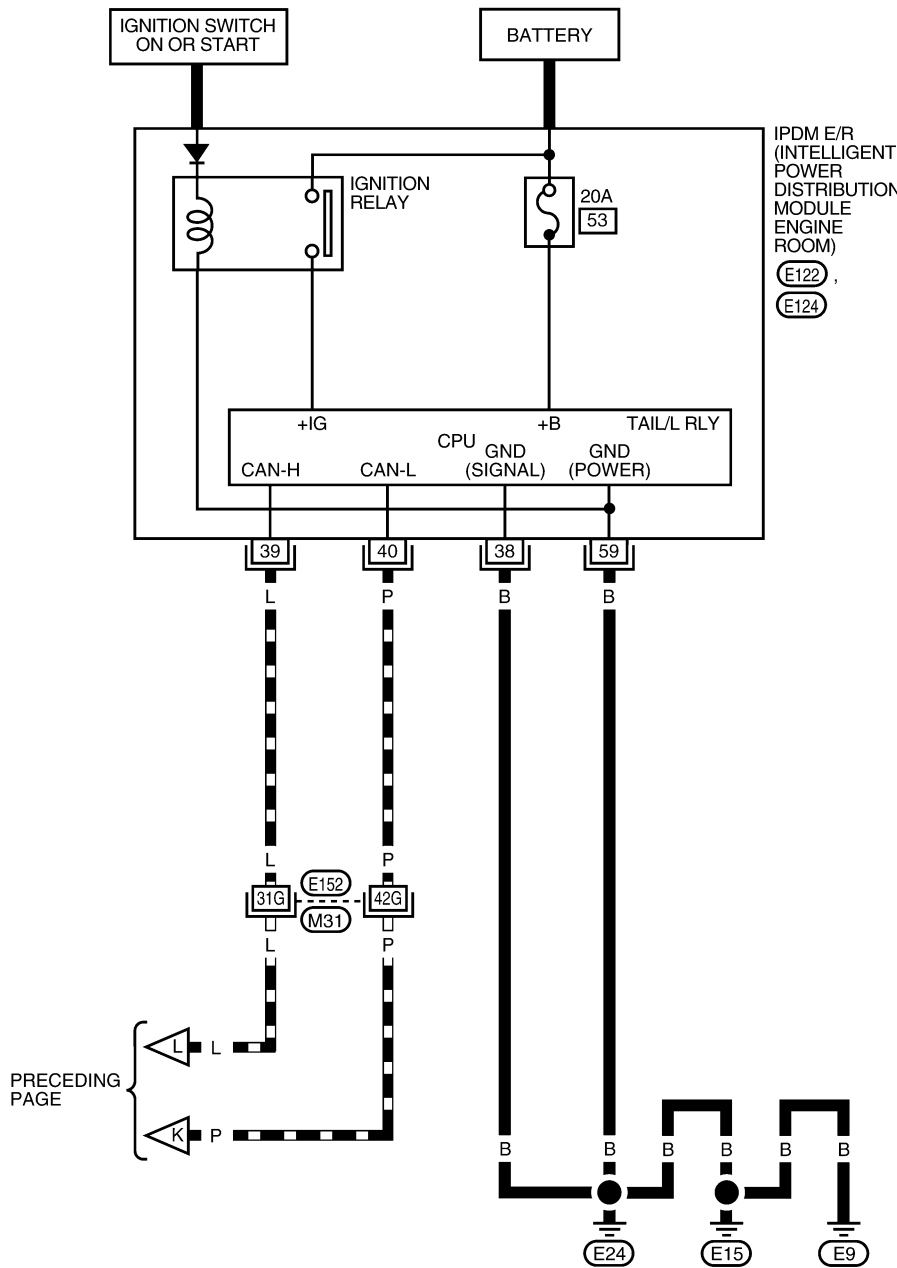
(M31) - SUPER MULTIPLE JUNCTION (SMJ)



WKWA3450E

# NAVIGATION SYSTEM

AV-NAVI-07

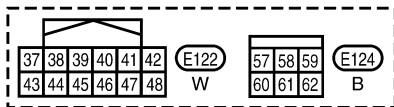


--- : DATA LINE

IPDM E/R  
(INTELLIGENT  
POWER  
DISTRIBUTION  
MODULE  
ENGINE  
ROOM)  
(E122),  
(E124)

REFER TO  
"PG-POWER".

PRECEDING  
PAGE



REFER TO THE FOLLOWING.

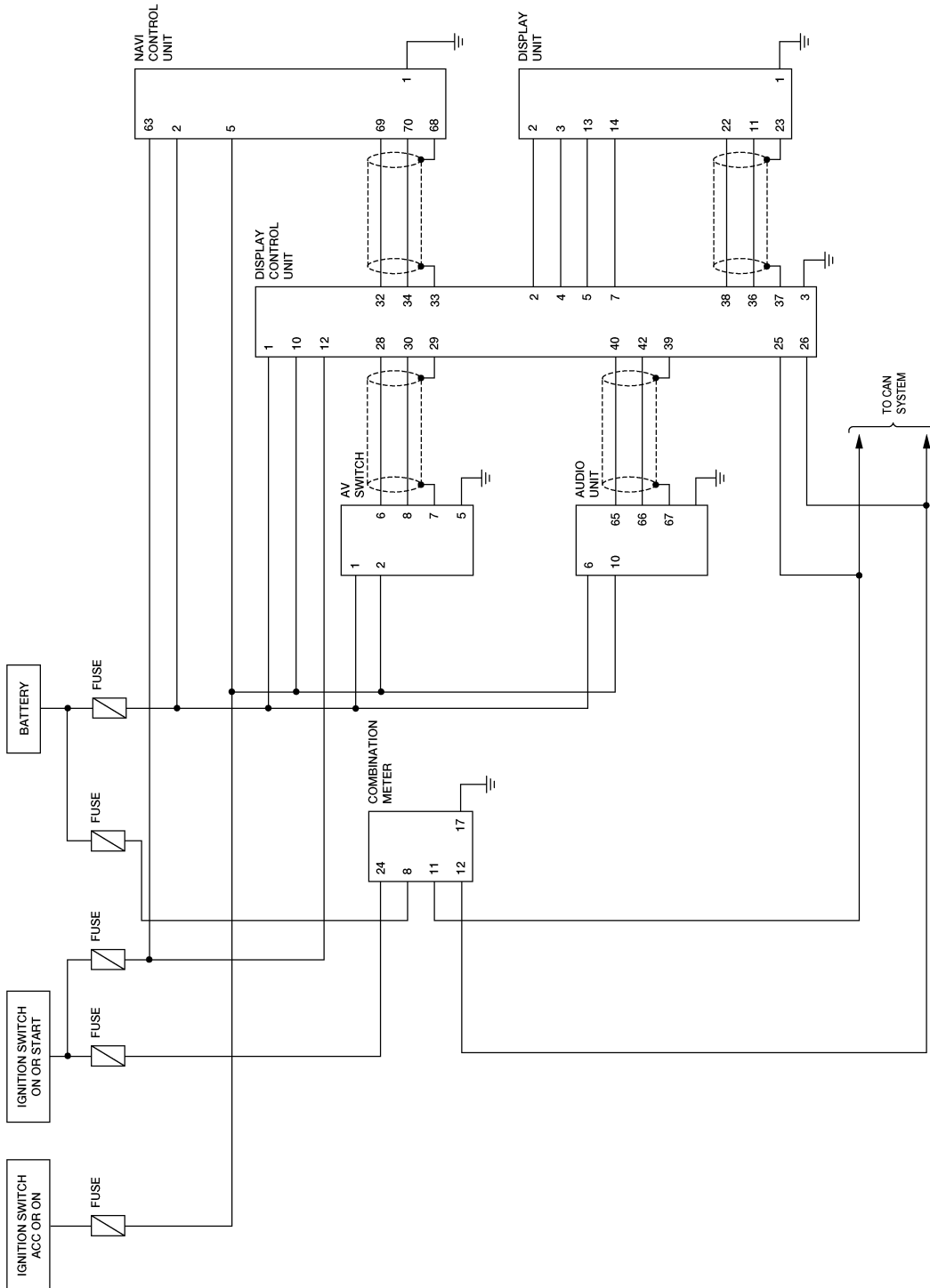
(M31) - SUPER MULTIPLE  
JUNCTION (SMJ)

WKWA3817E

# NAVIGATION SYSTEM

## Schematic

EKS00B4I



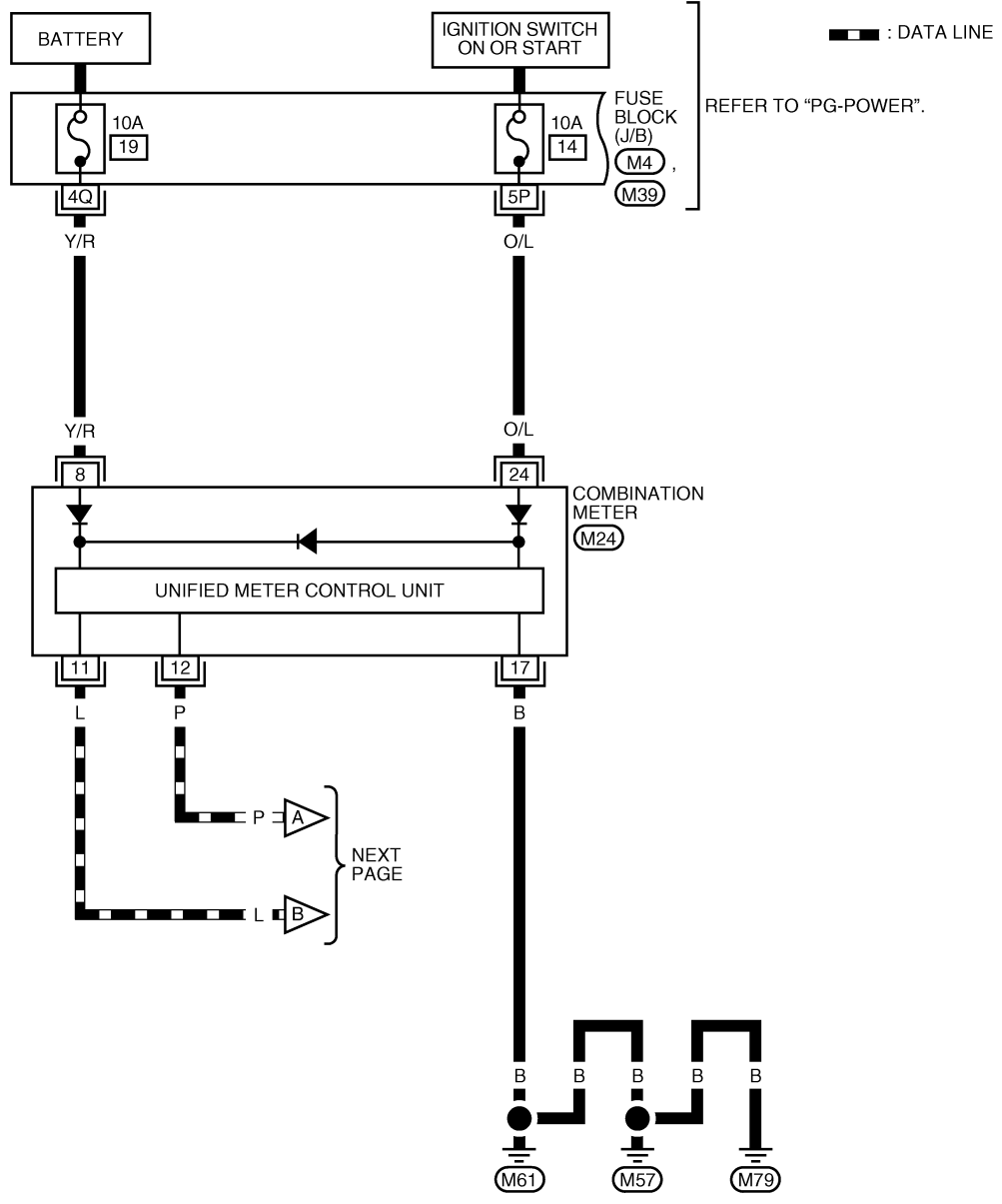
WKWA3451E

# NAVIGATION SYSTEM

## Wiring Diagram — COMM —

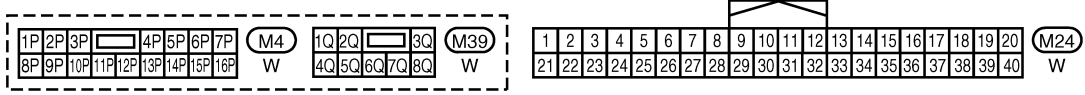
EKS00BAJ

### AV-COMM-01



A  
B  
C  
D  
E  
F  
G  
H  
I  
J  
L  
M

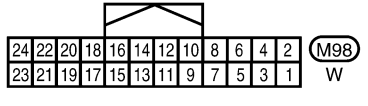
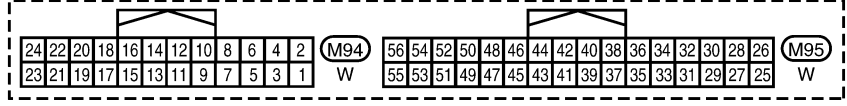
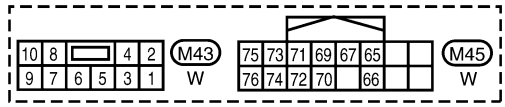
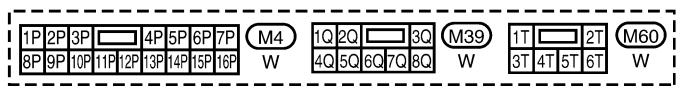
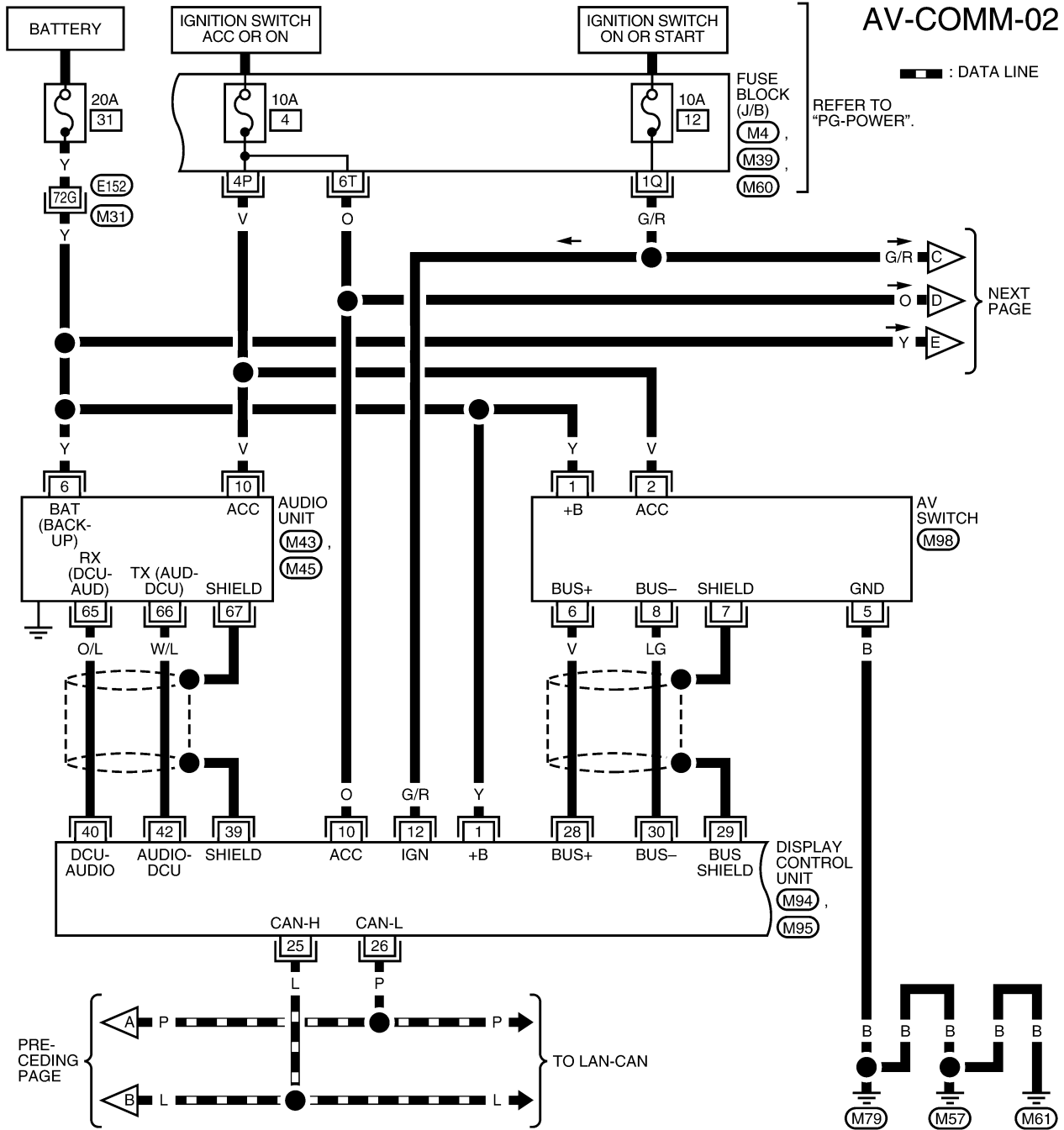
AV



WKWA3452E

# NAVIGATION SYSTEM

## AV-COMM-02

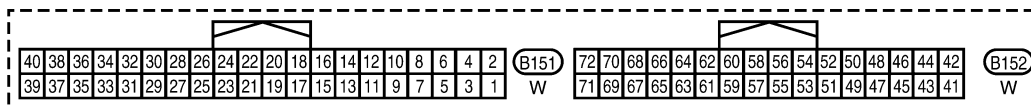
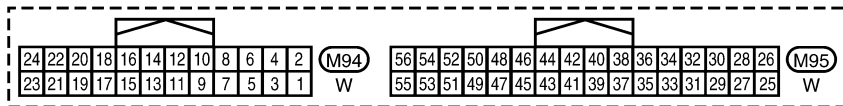
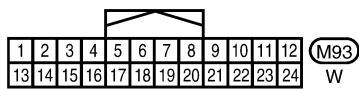
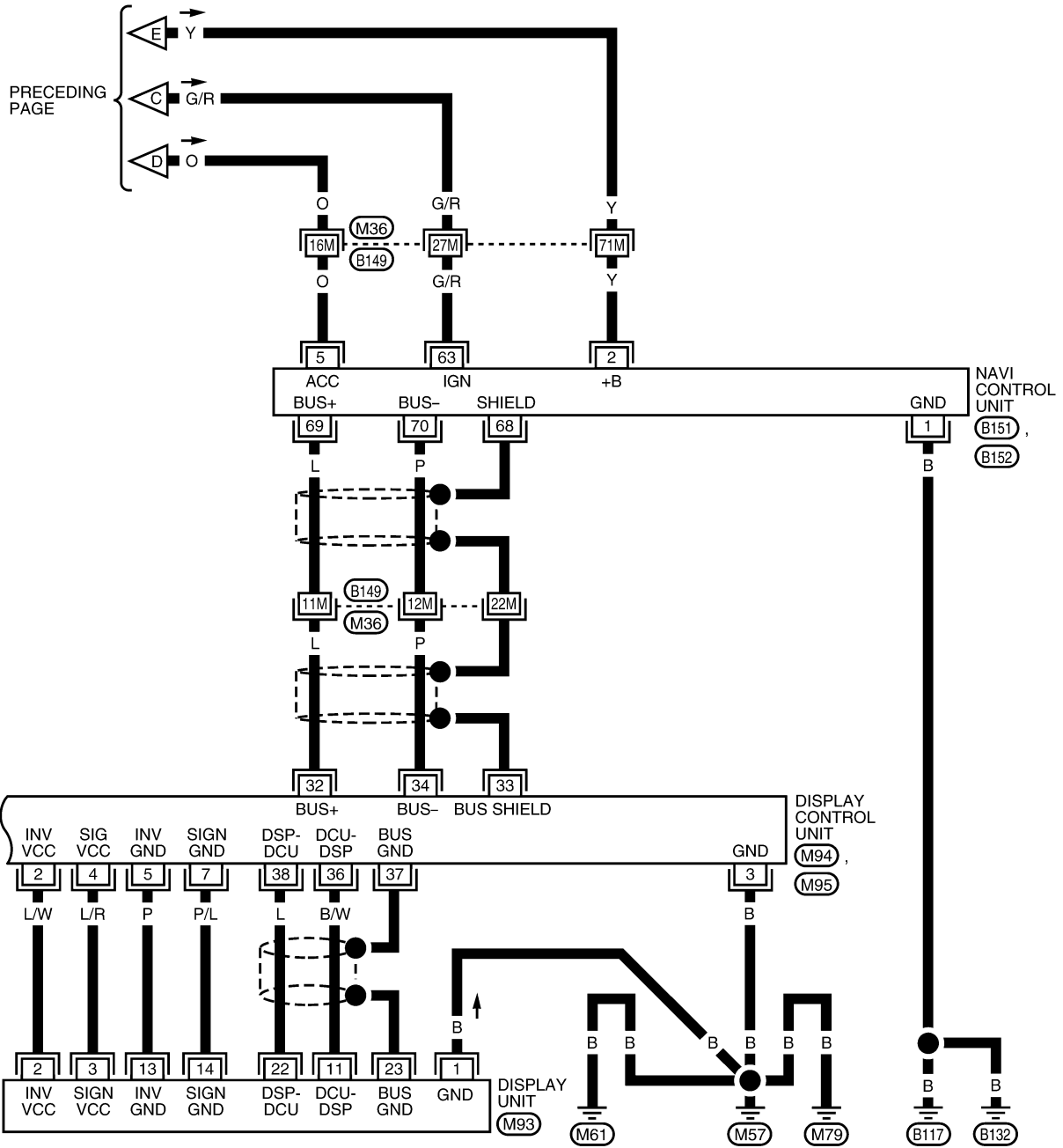


REFER TO THE FOLLOWING.  
 (M31) - SUPER MULTIPLE JUNCTION (SMJ)

WKWA3453E

# NAVIGATION SYSTEM

AV-COMM-03



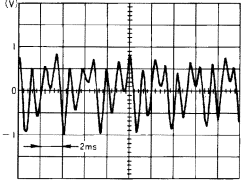
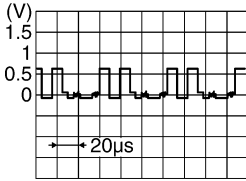
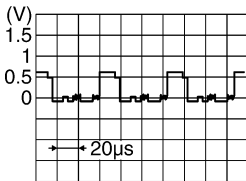
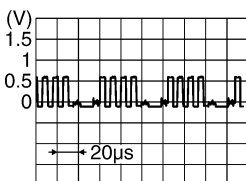
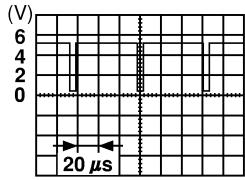
REFER TO THE FOLLOWING.  
 (M31), (M36) - SUPER  
 MULTIPLE JUNCTION (SMJ)

WKWA3454E

# NAVIGATION SYSTEM

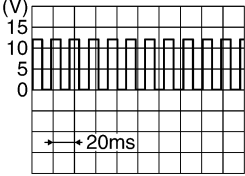
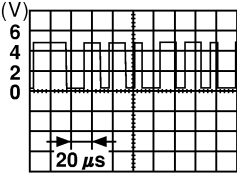
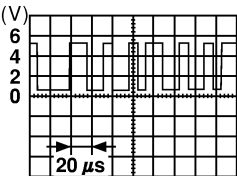
## Terminals and Reference Value for NAVI Control Unit

EKS00GBB

Terminal No. (Wire color)		Item	Signal input/ output	Condition		Voltage (Approx.)	Example of symptom
+	-			Igni- tion switch	Operation		
1 (B)	Ground	Ground	-	ON	-	0V	-
2 (Y)	Ground	Battery power	Input	OFF	-	Battery voltage	System does not work properly.
5 (O)	Ground	ACC signal	Input	ACC	-	Battery voltage	System does not work properly.
12 (B)	14 (W)	Voice guide signal	Output	ON	Press the "GUIDE/ VOICE" button.	 SKIA0171J	Only route guide and operation guide are not heard.
13	-	Shield ground	-	-	-	-	Audio noise interference.
44 (R)	47	RGB signal (R: red)	Output	ON	Select "Display Diagnosis (NAVI)" of CONFIRMATION/ ADJUSTMENT function.	 SKIA4977E	NAVI screen looks bluish.
45 (R/W)	47	RGB signal (G: green)	Output	ON	Select "Display Diagnosis (NAVI)" of CONFIRMATION/ ADJUSTMENT function.	 SKIA4978E	NAVI screen looks reddish.
46 (B)	47	RGB signal (B: blue)	Output	ON	Select "Display Diagnosis (NAVI)" of CONFIRMATION/ ADJUSTMENT function.	 SKIA4979E	NAVI screen looks yellowish.
47	-	Shield ground	-	-	-	-	Video display interference.
48 (BR)	49	RGB syn- chronizing signal	Output	ON	Press the "MAP" button.	 SKIA0164E	NAVI screen is rolling.
49	-	Shield ground	-	-	-	-	Video display interference.



# NAVIGATION SYSTEM

Terminal No. (Wire color)		Item	Signal input/ output	Condition		Voltage (Approx.)	Example of symptom
+	-			Igni- tion switch	Operation		
61 (R/L)	Ground	Illumination signal	Input	ON	Lighting switch in 1st position	Battery voltage	Display unit illu- mination does not change when lighting switch is turned to 1st position.-
					Lighting switch is OFF	3V or less	
63 (G/R)	Ground	Ignition signal	Input	ON	-	Battery voltage	Navigation cur- rent location mark does not indicate the cor- rect position.
65 (G/W)	Ground	Reverse signal	Input	ON	A/T selector lever in R position	Battery voltage	The navigation current-location mark moves strangely when the vehicle is moving back- wards.
					A/T selector lever not in R position	0V	
66 (W/R)	Ground	Vehicle speed signal (8-pulse)	Input	ON	When vehicle speed is approx. 40 km/h (25 MPH)	 PKIA1935E	Navigation cur- rent location mark does not indicate the cor- rect position.
68	-	Shield ground	-	-	-	-	-
69 (L)	Ground	Communica- tion signal (+)	Input/ output	ON	-	 SKIA0175E	System does not work properly.
70 (P)	Ground	Communica- tion signal (-)	Input/ output	ON	-	 SKIA0176E	System does not work properly.
73	74	GPS signal	Input	ON	Connector is not connected.	5V	Navigation sys- tem GPS correc- tion is not possible.

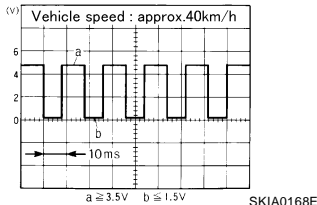
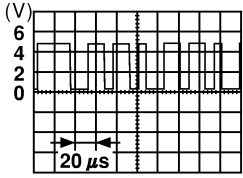
A  
B  
C  
D  
E  
F  
G  
H  
I  
J  
L  
M

AV

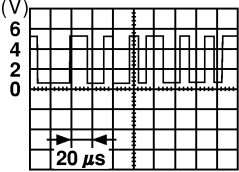
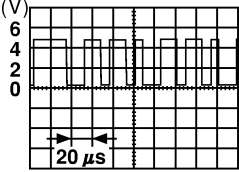
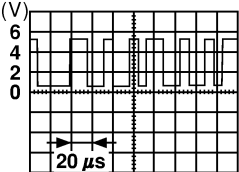
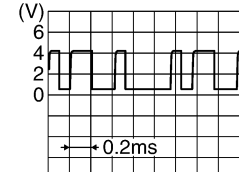
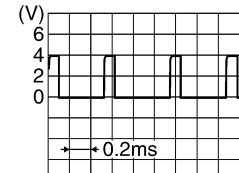
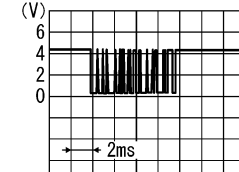
# NAVIGATION SYSTEM

## Terminals and Reference Value for Display Control Unit

EKS00B4L

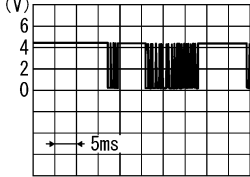
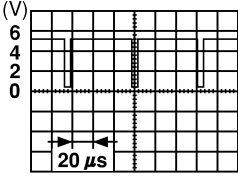
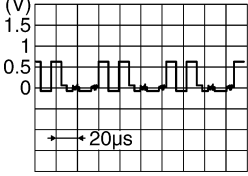
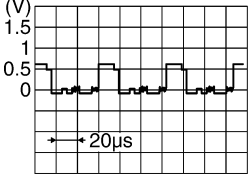
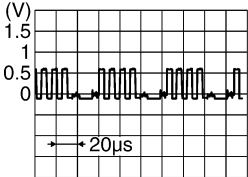
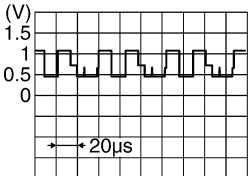
Terminal No. (Wire color)		Item	Signal input/ output	Condition		Voltage (Approx.)	Example of symptom
+	-			Igni- tion switch	Operation		
1 (Y)	Ground	Battery Power	Input	OFF	-	Battery voltage	System does not work properly.
2 (L/W)	Ground	Power Supply (Inverter)	Output	ON	-	9V	Screen is not shown.
3 (B)	Ground	Ground	-	ON	-	0V	-
4 (L/R)	Ground	Power Supply (Signal)	Output	ON	-	9V	Screen is not shown.
5 (P)	Ground	(Inverter) Ground	-	ON	-	0V	-
6 (GR)	Ground	Reverse signal	Input	ON	Selector lever in R position	Battery voltage	Impossible to gain direction of vehicle.
					Selector lever not in R position	0V	
7 (P/L)	Ground	(Signal) Ground	-	ON	-	0V	-
10 (O)	Ground	ACC signal	Input	ACC	-	Battery voltage	System does not work properly.
12 (G/R)	Ground	Ignition signal	Input	ON	-	Battery voltage	Vehicle information setting is not possible.
14 (R/L)	Ground	Illumination signal	Input	OFF	Lighting switch position 1st or 2nd	Battery voltage	Display unit does not change when lighting switch is turned to 1st position.
					Lighting switch position OFF	0V	
16 (W/R)	Ground	Vehicle speed signal (8-pulse)	Input	ON	When vehicle speed is approx. 40 km/h (25 MPH)		Value of vehicle speed information is not accurately displayed.
25 (L)	-	CAN-H	-	-	-	-	-
26 (P)	-	CAN-L	-	-	-	-	-
28 (V)	Ground	Communication signal (+)	Input/Output	ON	-		System does not work properly.
29	-	Shield ground	-	-	-	-	-

# NAVIGATION SYSTEM

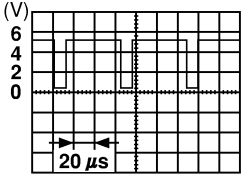

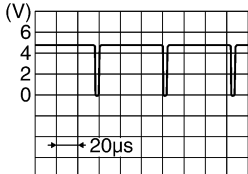
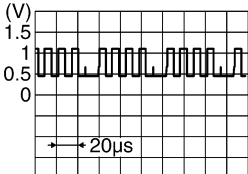
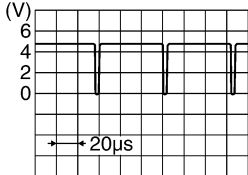
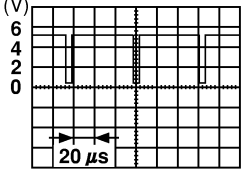
Terminal No. (Wire color)		Item	Signal input/ output	Condition		Voltage (Approx.)	Example of symptom
+	-			Igni- tion switch	Operation		
30 (LG)	Ground	Communica- tion signal (-)	Input/ output	ON	-	 SKIA0176E	System does not work properly.
32 (L)	33	Communica- tion signal (+)	Input/ output	ON	-	 SKIA0175E	System does not work properly.
33	-	Shield ground	-	-	-	-	-
34 (P)	33	Communica- tion signal (-)	Input/ output	ON	-	 SKIA0176E	System does not work properly.
36 (B/W)	37	Display Com- munication signal (DCU-DSP)	Output	ON	Press the "TRIP" button.	 SKIA4364E	Though a screen is displayed, it is impossible to adjust bright- ness.
37	-	Shield ground	-	-	-	-	-
38 (L)	37	Display Com- munication signal (DSP-DCU)	Input	ON	Press the "TRIP" button.	 SKIA4363E	Though a screen is displayed, it is impossible to adjust bright- ness.
39	-	Shield ground	-	-	-	-	-
40 (O/L)	39	Audio TX Communica- tion signal	Output	ON	Operate audio volume.	 SKIA4402E	Audio does not operate properly.

A  
B  
C  
D  
E  
F  
G  
H  
I  
J  
AV  
L  
M

# NAVIGATION SYSTEM

Terminal No. (Wire color)		Item	Signal input/ output	Condition		Voltage (Approx.)	Example of symptom
+	-			Igni- tion switch	Operation		
41	-	Shield ground	-	-	-	-	-
42 (W/L)	39	Audio RX communica- tion signal	Input	ON	Operate audio volume.	 SKIA4403E	Audio does not operate properly.
43 (W)	41	RGB syn- chronizing signal	Input	ON	Press the "MAP" button.	 SKIA0164E	NAVI screen is rolling.
44 (R/L)	45	RGB signal (R: red)	Input	ON	Select "Display Diagnosis (NAVI)" of CONFIRMATION/ ADJUSTMENT function.	 SKIA4977E	NAVI screen looks bluish.
45	-	Shield ground	-	-	-	-	-
46 (R/W)	45	RGB signal (G: green)	Input	ON	Select "Display Diagnosis (NAVI)" of CONFIRMATION/ ADJUSTMENT function.	 SKIA4978E	NAVI screen looks reddish.
47	-	Shield ground	-	-	-	-	-
48 (B)	45	RGB signal (B: blue)	Input	ON	Select "Display Diagnosis (NAVI)" of CONFIRMATION/ ADJUSTMENT function.	 SKIA4979E	NAVI screen looks yellowish.
49	-	Shield ground	-	-	-	-	-
50 (R/L)	47	RGB signal (R: red)	Output	ON	Select "Display Diagnosis (DCU)" of CONFIRMATION/ ADJUSTMENT function.	 SKIA4980E	NAVI screen looks bluish.

# NAVIGATION SYSTEM

Terminal No. (Wire color)		Item	Signal input/ output	Condition		Voltage (Approx.)	Example of symptom
+	-			Igni- tion switch	Operation		
51 (B)	49	RGB area (YS) signal	Output	ON	Press the "TRIP" button.	 <p style="text-align: right; font-size: small;">SKIA0162E</p>	RGB screen is not shown.
52 (R/W)	47	RGB signal (G: green)	Output	ON	Select "Display Diagnosis (DCU)" of CONFIRMATION/ ADJUSTMENT function.	 <p style="text-align: right; font-size: small;">SKIA4981E</p>	Screen looks reddish.
53 (W)	49	Vertical syn- chronizing (VP) signal	Input	ON	-	 <p style="text-align: right; font-size: small;">SKIA4983E</p>	Operating screen for audio and A/C is not displayed when showing NAVI screen.
54 (B)	47	RGB signal (B: blue)	Output	ON	Select "Display Diagnosis (DCU)" of CONFIRMATION/ ADJUSTMENT function.	 <p style="text-align: right; font-size: small;">SKIA4982E</p>	Screen looks yellowish.
55 (R)	49	Horizontal synchroniz- ing (HP) sig- nal	Input	ON	-	 <p style="text-align: right; font-size: small;">SKIA4983E</p>	Operating screen for audio and A/C is not displayed when showing NAVI screen.
56 (G)	49	RGB syn- chronizing signal	Output	ON	Press the "TRIP" button.	 <p style="text-align: right; font-size: small;">SKIA0164E</p>	NAVI screen is rolling.


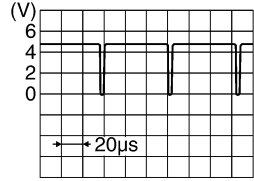
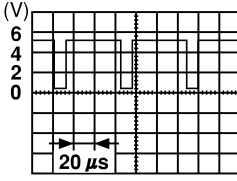

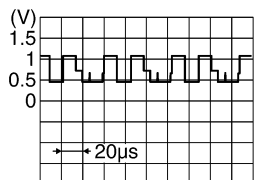
A  
B  
C  
D  
E  
F  
G  
H  
I  
J  
K  
L  
M

AV

# NAVIGATION SYSTEM

## Terminals and Reference Value for Display Unit

EKS00B4M

Terminal No. (Wire color)		Item	Signal input/output	Condition		Voltage (Approx.)	Example of symptom
+	-			Ignition switch	Operation		
1 (B)	Ground	Ground	-	ON	-	0V	-
2 (L/W)	Ground	Power supply (Inverter)	Input	ON	-	9V	Screen is not shown.
3 (L/R)	Ground	Power supply (Signal)	Input	ON	-	9V	Screen is not shown.
6 (R/W)	7	RGB signal (G: green)	Input	ON	Select "Display Diagnosis (DCU)" of CONFIRMATION/ADJUSTMENT function.	 SKIA4981E	Screen looks reddish.
7	-	Shield ground	-	-	-	-	-
8 (R)	21	Horizontal synchronizing (HP) signal	Output	ON	-	 SKIA4983E	Operating screen for audio and A/C is not displayed when showing NAVI screen.
9 (B)	21	RGB area (YS) signal	Input	ON	Press the "TRIP" button.	 SKIA0162E	Operating screen for audio and A/C is not displayed when showing NAVI screen.
11 (B/W)	23	Display communication signal (DCU-DSP)	Input	ON	-	 SKIA4364E	Though a screen is displayed, it is impossible to adjust brightness.
13 (P)	Ground	(Inverter) Ground	-	ON	-	0V	-
14 (P/L)	Ground	(Signal) Ground	-	ON	-	0V	-
17 (R/L)	7	RGB signal (R: red)	Input	ON	Select "Display Diagnosis (DCU)" of CONFIRMATION/ADJUSTMENT function.	 SKIA4980E	Screen looks bluish.

# NAVIGATION SYSTEM

Terminal No. (Wire color)		Item	Signal input/output	Condition		Voltage (Approx.)	Example of symptom
+	-			Ignition switch	Operation		
18 (B)	7	RGB signal (B: blue)	Input	ON	Select "Display Diagnosis (DCU)" of CONFIRMATION/ADJUSTMENT function.	<p style="text-align: right; font-size: small;">SKIA4982E</p>	Screen looks yellowish.
19 (G)	21	RGB synchronizing signal	Input	ON	Press the "TRIP" button.	<p style="text-align: right; font-size: small;">SKIA0164E</p>	NAVI screen is rolling.
20 (W)	21	Vertical synchronizing (VP) signal	Output	ON	-	<p style="text-align: right; font-size: small;">SKIA4983E</p>	Operating screen for audio and A/C is not displayed when showing NAVI screen.
21	-	Shield ground	-	-	-	-	-
22 (L)	23	Display communication signal (DSP-DCU)	Output	ON	-	<p style="text-align: right; font-size: small;">SKIA4363E</p>	Though a screen is displayed, it is impossible to adjust brightness.
23	-	Shield ground	-	-	-	-	-

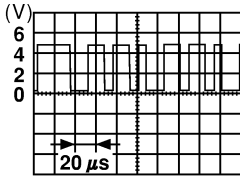
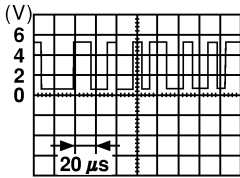
A  
B  
C  
D  
E  
F  
G  
H  
I  
J  
L  
M

AV

# NAVIGATION SYSTEM

## Terminals and Reference Value for AV Switch

EKS00B4N


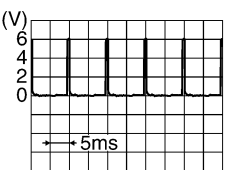




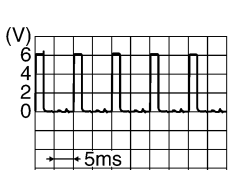
Terminal No. (Wire color)		Item	Signal input/ output	Condition		Voltage (Approx.)	Example of symptom
+	-			Ignition switch	Operation		
1 (Y)	Ground	Battery power	Input	OFF	-	Battery voltage	System does not work properly.
2 (V)	Ground	ACC signal	Input	ACC	-	Battery voltage	System does not work properly.
3 (R/L)	Ground	Illumination signal	Input	OFF	Lighting switch is ON (position 1).	Battery voltage	AV switch illumination does not come on when lighting switch is ON (position 1).
					Turn lighting switch OFF.	3.0V or less	
4 (BR)	Ground	Illumination control signal	Input	ON	Illumination control switch is operated by lighting switch in 1st position.	Changes between 0 and 12V	AV switch illumination cannot be controlled.
5 (B)	Ground	Ground	-	ON	-	0V	-
6 (V)	7	Communication signal (+)	Input/output	ON	-	 <p style="text-align: right; font-size: small;">SKIA0175E</p>	System does not work properly.
7	-	Shield ground	-	-	-	-	-
8 (LG)	7	Communication signal (-)	Input/output	ON	-	 <p style="text-align: right; font-size: small;">SKIA0176E</p>	System does not work properly.
12 (R)	Ground	Remote control A	Input	ON	Press MODE switch	0V	Steering wheel audio controls do not function.
					Press SEEK UP switch	0.75V	
					Press VOL UP switch	2V	
					Except for above	5V	
13 (G)	Ground	Remote control B	Input	ON	Press POWER switch	0V	Steering wheel audio controls do not function.
					Press SEEK DOWN switch	0.75V	
					Press VOL DOWN switch	2V	
					Except for above	5V	
14 (L)	-	Remote control ground	-	-	-	-	Steering wheel audio controls do not function.



# NAVIGATION SYSTEM

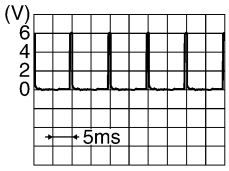
## Terminals and Reference Value for BCM

EKS00B40

Terminal No.	Wire color	Signal name	Measuring condition		Reference value (Approx.)
			Ignition switch	Operation or condition	
2	SB	Combination switch input 5	ON	Lighting, turn, wiper OFF Wiper dial position 4	 <p style="text-align: right; font-size: small;">SKIA5291E</p>
3	G/Y	Combination switch input 4	ON	Lighting, turn, wiper OFF Wiper dial position 4	 <p style="text-align: right; font-size: small;">SKIA5292E</p>
4	Y	Combination switch input 3	ON	Lighting, turn, wiper OFF Wiper dial position 4	 <p style="text-align: right; font-size: small;">SKIA5291E</p>
5	G/B	Combination switch input 2	ON	Lighting, turn, wiper OFF Wiper dial position 4	 <p style="text-align: right; font-size: small;">SKIA5292E</p>
6	V	Combination switch input 1			
11	O	Ignition switch (ACC)	ACC	—	Battery voltage
32	R/G	Combination switch output 5	ON	Lighting, turn, wiper OFF Wiper dial position 4	 <p style="text-align: right; font-size: small;">SKIA5291E</p>
33	R/Y	Combination switch output 4	ON	Lighting, turn, wiper OFF Wiper dial position 4	 <p style="text-align: right; font-size: small;">SKIA5292E</p>
34	L	Combination switch output 3	ON	Lighting, turn, wiper OFF Wiper dial position 4	 <p style="text-align: right; font-size: small;">SKIA5291E</p>

A  
B  
C  
D  
E  
F  
G  
H  
I  
J  
AV  
L  
M

# NAVIGATION SYSTEM

Terminal No.	Wire color	Signal name	Measuring condition		Reference value (Approx.)
			Ignition switch	Operation or condition	
35	O/B	Combination switch output 2	ON	Lighting, turn, wiper OFF Wiper dial position 4	
36	R/W	Combination switch output 1			
38	W/L	Ignition switch (ON)	ON	—	Battery voltage
39	L	CAN-H	—	—	—
40	P	CAN-L	—	—	—
57	Y/R	Battery power supply	OFF	—	Battery voltage
67	B	Ground	ON	—	0V
70	W/B	Battery power supply (fusible link)	OFF	—	Battery voltage

# NAVIGATION SYSTEM

## On Board Self-Diagnosis Function

EKS00B4P

### DESCRIPTION

- Diagnosis function consists of the self-diagnosis mode performed automatically and the CONFIRMATION/ADJUSTMENT mode operated manually.
- Self-diagnosis mode checks for connections between the units constituting this system, analyzes each individual unit at the same time, and displays the results on the LCD screen.
- CONFIRMATION/ADJUSTMENT mode is used to perform trouble diagnosis that require operation and judgment by an operator (trouble that cannot be automatically judged by the system), to check/change the set value, and to display the Error History of the navigation system.

### DIAGNOSIS ITEM

Mode		Description	
Self-diagnosis (DCU)		Display control unit diagnosis.	
Self-diagnosis (NAVI)		<ul style="list-style-type: none"> <li>● NAVI Control unit diagnosis (DVD-ROM drive) will not be diagnosed when no map DVD-ROM is in it.</li> <li>● Analyzes connection between the NAVI control unit and the GPS antenna and operation of each unit.</li> </ul>	
CONFIRMATION/ ADJUSTMENT	Display diagnosis	On display control unit mode, color tone and shading of the screen can be checked by the display of a color bar and a gray scale.	
	Vehicle signals	On display control unit mode, analyzes the following vehicle signals: Vehicle speed signal, light signal <sup>NOTE</sup> , ignition switch signal, and reverse signal.	
	Auto Climate Control	A/C self-diagnosis of A/C system.	
	Navigation	Display diagnosis	On NAVI C/U mode, color tone and shading of the screen can be checked by the display of a color bar and a gray scale.
		Vehicle signals	On NAVI C/U mode, analyzes the following vehicle signals: Vehicle speed signal, light signal, ignition switch signal, and reverse signal.
		Error History	Diagnosis results previously stored in the memory (before turning ignition switch ON) are displayed in this mode. Time and location when/where the errors occurred are also displayed.
		Navigation	Display Longitude & Latitude
	Speed Calibration		Under ordinary conditions, the navigation system distance measuring function will automatically compensate for minute decreases in wheel and tire diameter caused by tire wear or low-pressure. Speed calibration immediately restores system accuracy in cases such as when distance calibration is needed because of the use of tire chains in inclement weather.
	Angle adjustment		Corrects difference between actual turning angle of a vehicle and turning angle of the car mark on the display.
		Initialize Location	This mode is for initializing the current location. Use when the vehicle is transported a long distance on a trailer, etc.
CAN DIAG SUPPORT MONITOR		Display status of CAN communication.	

#### NOTE:

Make the status that is set by D/N function be shown.

### Self-Diagnosis Mode (DCU)

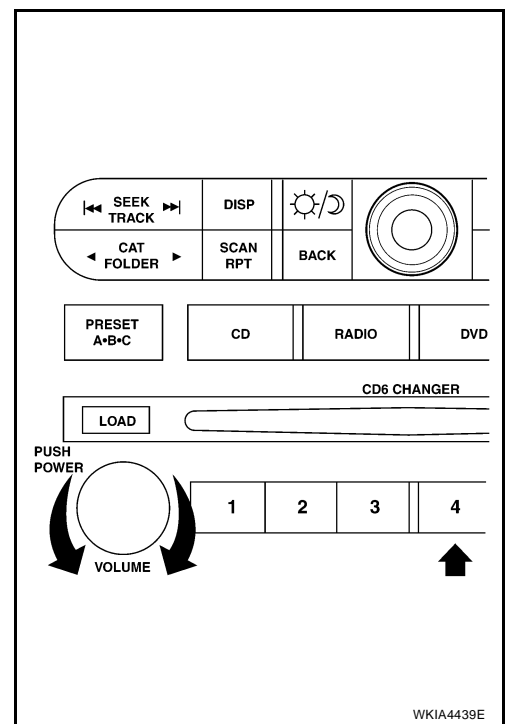
EKS00B4Q

#### OPERATION PROCEDURE

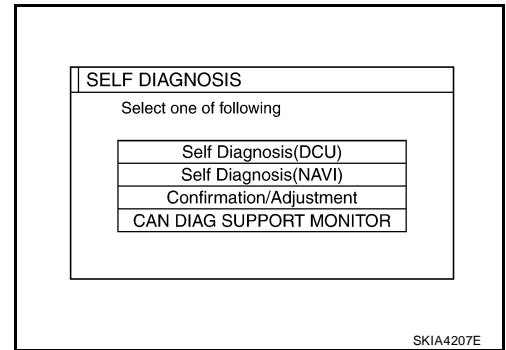
1. Start the engine.
2. Turn the audio system off.

# NAVIGATION SYSTEM

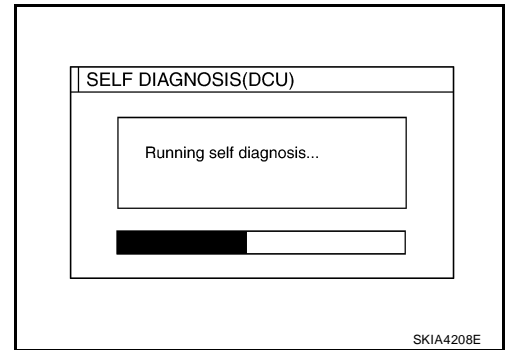
3. While pressing the “MEMORY 4” button, turn the volume control dial clockwise or counterclockwise for 30 clicks or more. (When the self-diagnosis mode is started, a short beep will be heard.)
  - Shifting from current screen to previous screen is performed by pressing “BACK” button.



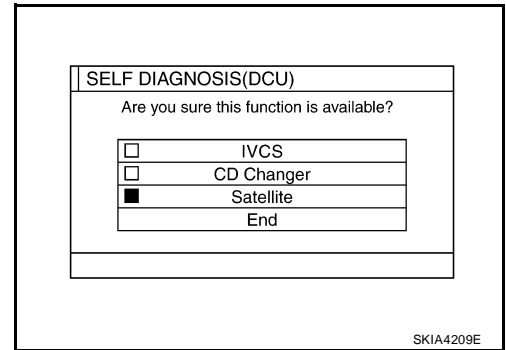
4. The initial self-diagnosis screen will be shown, and items “Self-Diagnosis (DCU)”, “Self-Diagnosis (NAVI)”, “Confirmation/Adjustment” and “CAN DIAG SUPPORT MONITOR” will become selective.



5. Perform self-diagnosis by selecting the “Self-Diagnosis”.
  - Self-diagnosis subdivision screen will be shown and the operation enters the self-diagnosis mode.
  - A bar graph shown below the self-diagnosis subdivision screen indicates progress of the diagnosis.



6. When the self-diagnosis completes, optional part confirmation screen will be shown.
  - When connection of an optional part is judged error, a screen to check if the optional part is actually fitted on the vehicle or not will be shown. When fitted, select the switch of the part on the screen and press “End”. Then the “SELF DIAGNOSIS” screen will be shown.
  - When the optional part is connected normally, the switch for the part will not appear on the screen.

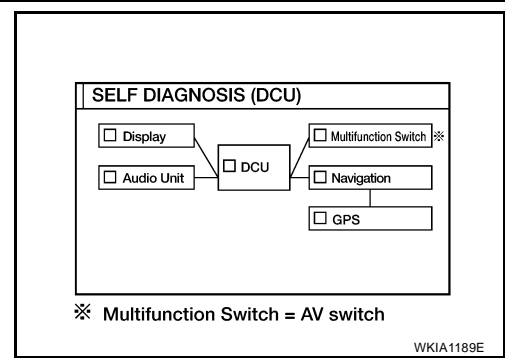


# NAVIGATION SYSTEM

7. On the “SELF DIAGNOSIS” screen, each unit name will be colored according to the diagnosis result, as follows.

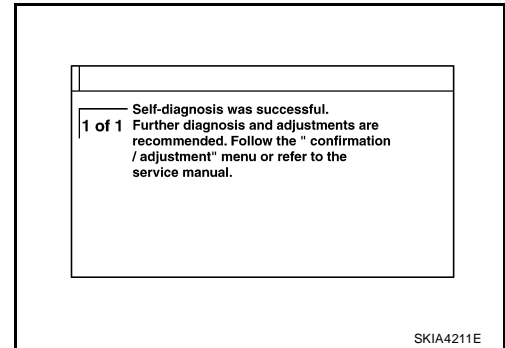
- Green** : Not malfunctioning.
- Yellow** : Cannot be judged by self-diagnosis results.
- Red** : Unit is malfunctioning.
- Gray** : Diagnosis has not been done.

- If several malfunctions are present in a unit, color of its switch on the screen will be either red, yellow, or gray, determined by the malfunction of the highest priority.



8. Select a switch on the “SELF DIAGNOSIS” screen and comments for the diagnosis results will be shown.

- When the switch is green, the following comment will be shown. “Self-diagnosis was successful. Further diagnosis and adjustments are recommended. Follow the “confirmation/adjustment” menu or refer to the service manual.”
- When the switch is yellow, the following comment will be shown. “Connection to the following unit is abnormal. See the service manual for further details”.
- When the switch is red, the following comment will be shown. “DCU is abnormal”.



## SELF-DIAGNOSIS RESULT

### Quick reference table

1. Select a malfunctioning diagnosis No. in the diagnosis result quick reference table.
2. Find estimated malfunctioning system in the diagnosis No. table and perform check by referring to [AV-101, "Wiring Diagram — COMM —"](#).
3. Turn the ignition switch OFF and perform self-diagnosis again.

Switch color	Screen switch					Diagnosis No.
	DCU*	DISPLAY	Audio unit	Navigation	GPS antenna	
Red	×					1
Gray	×	x				2
	x		x			3
	×			x	x	4

\*: DCU = Display control unit

### CAUTION:

- When AV switch has a malfunction, you cannot start. Refer to [AV-159, "Unable to Operate All of AV Switches \(Unable to Start Self-Diagnosis\)"](#).
- When display unit has a malfunction, you cannot start. Refer to [AV-157, "Screen is Not Shown"](#).

### Self-Diagnosis Codes

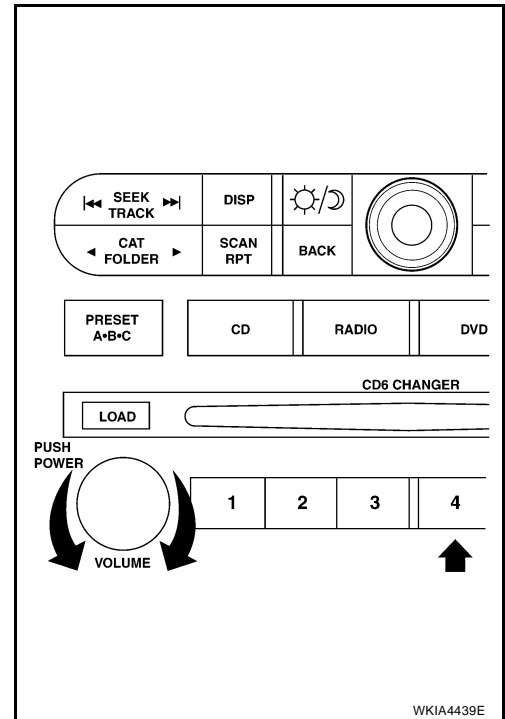
Diagnosis No.	Possible cause	Reference page
1	Display control unit malfunction	Refer to <a href="#">AV-171</a> .
2	Display communication line between display control unit and display unit	Refer to <a href="#">AV-142</a> .
3	Audio unit power supply and ground circuit Audio communication line between display control unit and audio unit	Refer to <a href="#">AV-140</a> .
4	NAVI control unit power supply and ground circuit AV communication line between display control unit and NAVI control unit	Refer to <a href="#">AV-139</a> .

# NAVIGATION SYSTEM

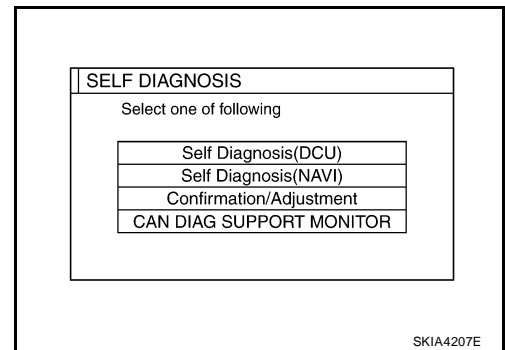
EKS00B4R

## Self-Diagnosis Mode (NAVI) OPERATION PROCEDURE

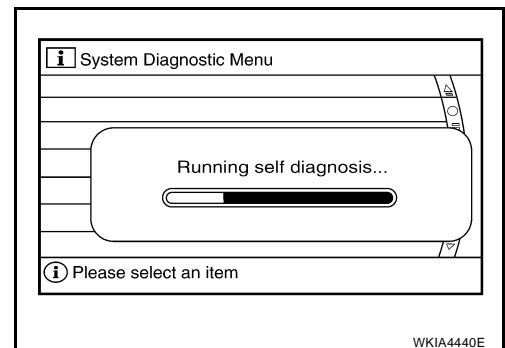
1. Start the engine.
2. Turn the audio system off.
3. While pressing the “MEMORY 4” button, turn the volume control dial clockwise or counterclockwise for 30 clicks or more. (When the self-diagnosis mode is started, a short beep will be heard.)
  - Shifting from current screen to previous screen is performed by pressing “BACK” button.



4. The initial self-diagnosis screen will be shown, and items “Self-Diagnosis (DCU)”, “Self-Diagnosis (NAVI)”, “Confirmation/Adjustment” and “CAN DIAG SUPPORT MONITOR” will become selective.



5. Perform self-diagnosis by selecting the “Self-diagnosis (NAVI)”.
  - Self-diagnosis subdivision screen will be shown and the operation enters the self-diagnosis mode.
  - A bar graph will be shown on the screen to indicate progress of the diagnosis.

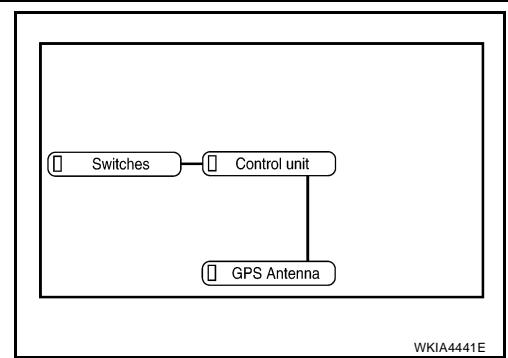


# NAVIGATION SYSTEM

6. On the "SELF DIAGNOSIS" screen, each unit name will be colored according to the diagnosis result, as follows.

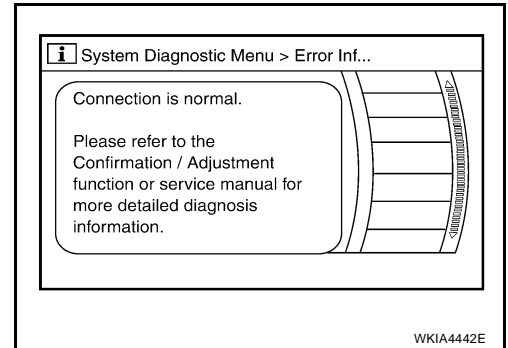
- Green** : Not malfunctioning.
- Yellow** : Cannot be judged by self-diagnosis results.
- Red** : Unit is malfunctioning.
- Gray** : Diagnosis has not been done.

- If several malfunctions are present in a unit, color of its switch on the screen will be either red, yellow, or gray, determined by the malfunction of the highest priority.



7. Select a switch on the "SELF DIAGNOSIS" screen and comments for the diagnosis results will be shown.

- When the switch is green, the following comment will be shown. "Connection is normal. Please refer to the Confirmation / Adjustment function or service manual for more detailed diagnosis information."
- When the switch is yellow, the following comment will be shown. "Connection to the following unit is abnormal. See the service manual for further details".
- When the switch is red, the following comment will be shown. "Center Control Unit is abnormal".
- When the switch is gray, the following comment will be shown. "Self-diagnosis for DVD-ROM DRIVER of NAVI was not conducted because no DVD-ROM was available."



## SELF-DIAGNOSIS RESULT

### Quick reference table

1. Select an malfunctioning diagnosis No. in the diagnosis result quick reference table.
2. Find estimated malfunctioning system in the diagnosis No. table and perform check by referring to [AV-101, "Wiring Diagram — COMM —"](#).
3. Turn the ignition switch OFF and perform self-diagnosis again.

Switch color	Screen switch		Diagnosis No.
	Center control unit*	GPS antenna	
Red	×		1
Gray	×		2
Yellow	×		3
	×		4
	×	×	5

\*: Center Control unit = NAVI control unit

### CAUTION:

- When AV switch has a malfunction, you cannot start. Refer to [AV-159, "Unable to Operate All of AV Switches \(Unable to Start Self-Diagnosis\)"](#).
- When display unit has a malfunction, you cannot start. Refer to [AV-157, "Screen is Not Shown"](#).

### Self-diagnosis codes

Diagnosis No.	Possible cause	Reference page
1	NAVI control unit malfunction.	Refer to <a href="#">AV-170</a>
2	No map DVD-ROM is inserted in the NAVI control unit.	Refer to <a href="#">AV-144</a>

# NAVIGATION SYSTEM

Diagnosis No.	Possible cause	Reference page
3	<p>When "DVD-ROM error. Please check disc." is shown.</p> <ol style="list-style-type: none"><li>1. Eject map DVD-ROM and check if it is compatible with the system.</li><li>2. Check ejected DVD-ROM for dirt, damage, and warpage.</li><li>3. If no error is found, insert a known good map DVD-ROM of the same type and perform self-diagnosis again. If same result is shown, the NAVI control unit is malfunctioning. If result is normal, the map DVD-ROM is malfunctioning.</li></ol>	Refer to <a href="#">AV-145</a>
4	<p>If "Error found in DVD-ROM or DVD-ROM driver in control unit. Please perform diagnosis in accordance with service manual" is shown, carry out same inspection as diagnosis No. 3.</p>	Refer to <a href="#">AV-145</a>
5	<p>GPS antenna system.</p> <ol style="list-style-type: none"><li>1. Visually check for a broken wire in the GPS antenna coaxial cable.</li><li>2. Disconnect GPS antenna connector, and make sure approximately 5V is supplied from the NAVI control unit. If not, the NAVI control unit is malfunctioning. If 5V is supplied, replace the GPS antenna. If the connection is still malfunction after the replacement of the GPS antenna, the NAVI control unit is malfunctioning.</li></ol>	Refer to <a href="#">AV-145</a>

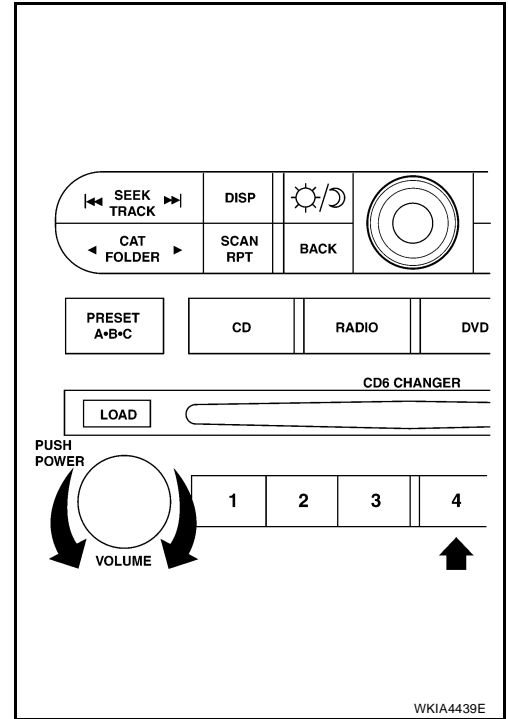


# NAVIGATION SYSTEM

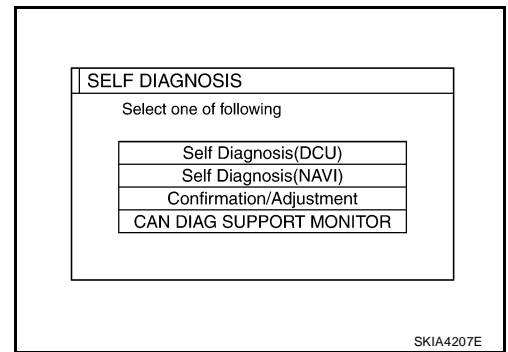
EKS00B4S

## Confirmation/Adjustment Mode OPERATION PROCEDURE

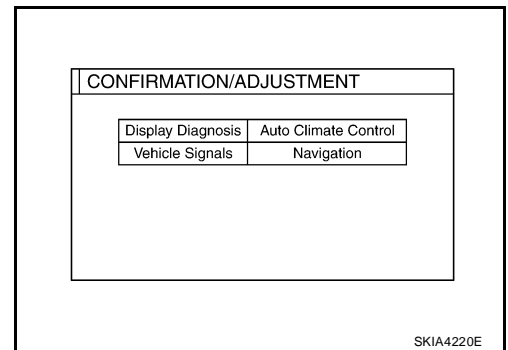
1. Start the engine.
2. Turn the audio system off.
3. While pressing the "MEMORY 4" button, turn the volume control dial clockwise or counterclockwise for 30 clicks or more. (When the self-diagnosis mode is started, a short beep will be heard.)
  - Shifting from current screen to previous screen is performed by pressing "BACK" button.



4. The initial self-diagnosis screen will be shown, and items "Self-Diagnosis (DCU)", "Self-Diagnosis (NAVI)", "Confirmation/Adjustment" and "CAN DIAG SUPPORT MONITOR" will become selective.



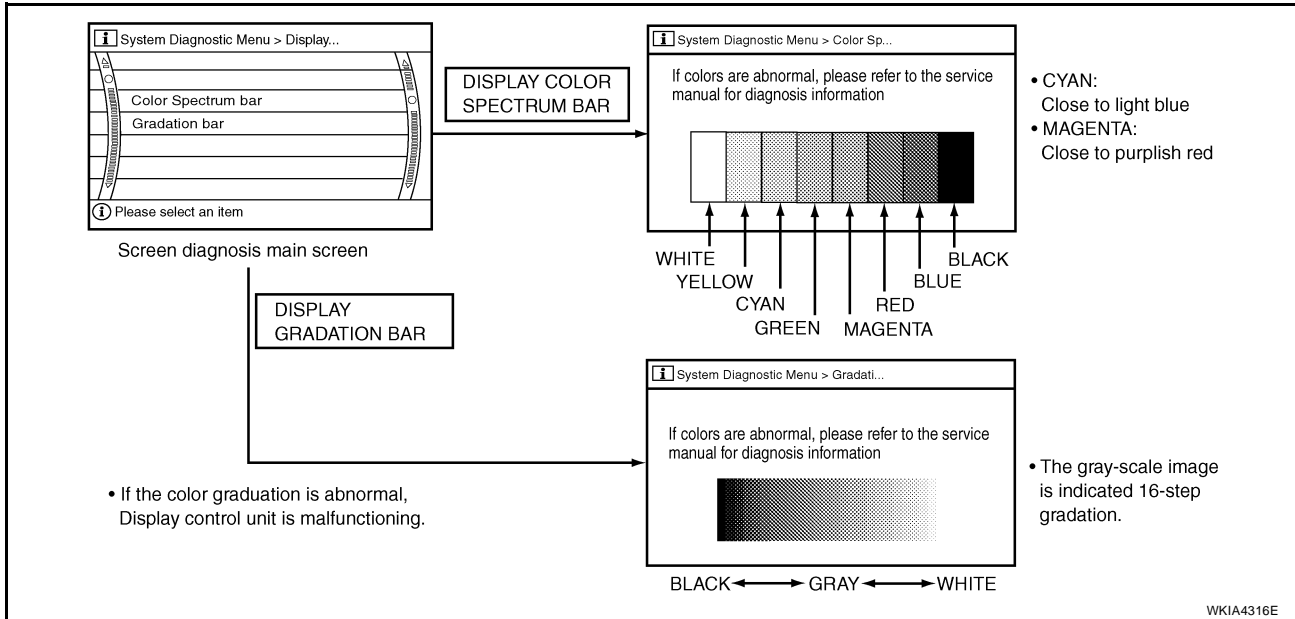
5. When "Confirmation/Adjustment" is selected on the initial self-diagnosis screen, the operation will enter the CONFIRMATION/ADJUSTMENT mode. In this mode, check and adjustment of each item will become possible.
6. The initial trouble diagnosis screen will be shown, and items "Display Diagnosis", "Vehicle Signals", "Auto Climate Control" and "Navigation" will become selective.
7. Select each switch on "CONFIRMATION/ADJUSTMENT" screen to display the relevant diagnosis screen.



A  
B  
C  
D  
E  
F  
G  
H  
I  
J  
AV  
L  
M

# NAVIGATION SYSTEM

## DISPLAY DIAGNOSIS



- When RGB signal error occurred in the RGB system, tone of the color bar will change as follows.
  - R (red) signal error** : Screen looks bluish
  - G (green) signal error** : Screen looks reddish
  - B (blue) signal error** : Screen looks yellowish
- When the color of the screen looks unusual, refer to [AV-150, "Color of RGB Image is Not Proper \(All Screens Look Bluish\)"](#) , [AV-151, "Color of RGB Image is Not Proper \(All Screens Look Reddish\)"](#) and [AV-152, "Color of RGB Image is Not Proper \(All Screens Look Yellowish\)"](#) .

## VEHICLE SIGNALS

- A comparison check can be made of each actual vehicle signal and the signals recognized by the system.

### CAUTION:

**In case of confirming light signal, set D/N mode to ON/OFF of lighting switch (normal setting).**

- OFF: D (Day mode)**
- ON: N (Night mode)**

**Unless above setting, light signal (ON/OFF) may not be accurately displayed.**

VEHICLE SIGNALS	
Vehicle Speed	OFF
IGN	ON
Reverse	OFF
IVCS	OFF
Light	OFF

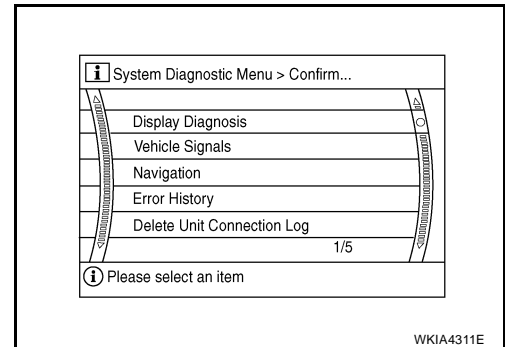
Diagnosis item	Display	Condition	Remarks
Vehicle speed	ON	Vehicle speed > 0 km/h (0 MPH)	Changes in indication may be delayed by approx. 1.5 seconds. This is normal.
	OFF	Vehicle speed = 0 km/h (0 MPH)	
	-	Ignition switch in ACC position	
Light	ON	Lighting switch ON	-
	OFF	Lighting switch OFF	
IGN	ON	Ignition switch ON	-
	OFF	Ignition switch ACC	
Reverse	ON	Selector lever in R position	Changes in indication may be delayed by approx. 1.5 seconds. This is normal.
	OFF	Selector lever in other than R position	
	-	Ignition switch in ACC position	

# NAVIGATION SYSTEM

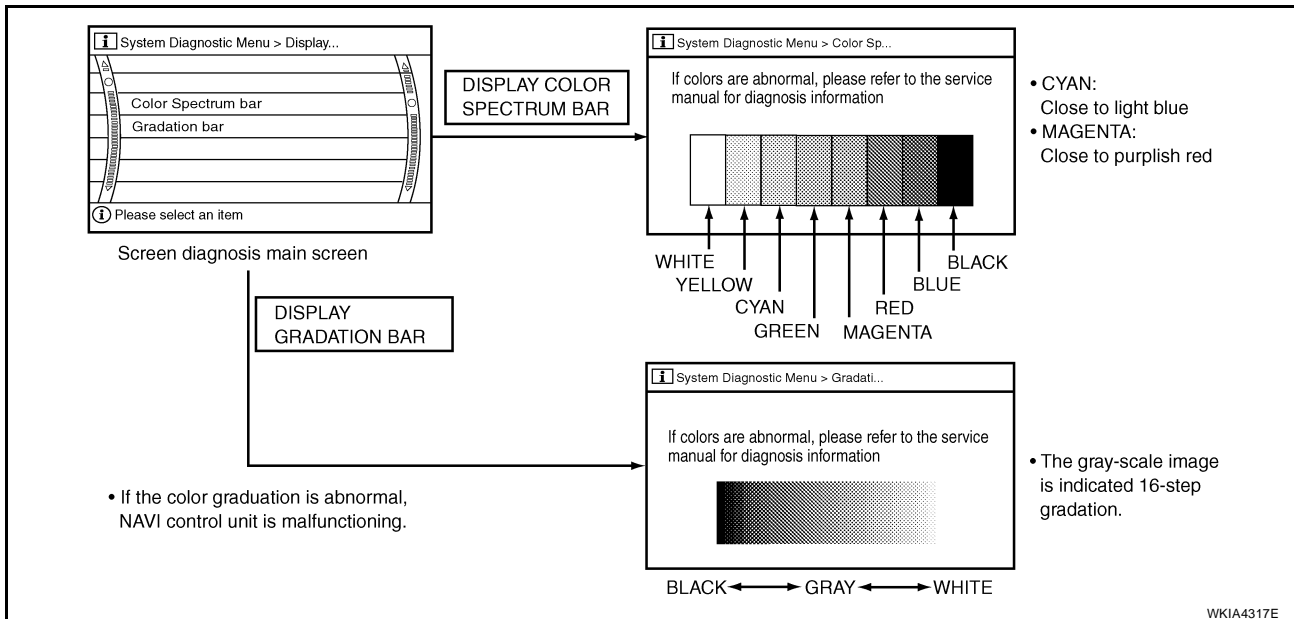
- If vehicle speed is NG, refer to [AV-136, "Vehicle Speed Signal Check for Display Control Unit"](#) .
- If light is NG, refer to [AV-137, "Illumination Signal Check for Display Control Unit"](#) .
- If IGN is NG, refer to [AV-138, "Ignition Signal Check for Display Control Unit"](#) .
- If reverse is NG, refer to [AV-138, "Reverse Signal Check for Display Control Unit"](#) .

## NAVIGATION

1. The initial confirmation/adjustment screen will be shown, and items "Display Diagnosis", "Vehicle Signals", "Navigation", "Error History" and "Delete Unit Connection Log" will become selective.
2. Select each switch on "CONFIRMATION/ADJUSTMENT" screen to display the relevant diagnosis screen.



## DISPLAY DIAGNOSIS



- When RGB signal error occurred in the RGB system, tone of the color bar will change as follows.
  - R (red) signal error** : Screen looks bluish
  - G (green) signal error** : Screen looks reddish
  - B (blue) signal error** : Screen looks yellowish
- When the color of the screen looks unusual, refer to [AV-147, "Color of RGB Image is Not Proper \(Only NAVI Screen Looks Bluish\)"](#) , [AV-148, "Color of RGB Image is Not Proper \(Only NAVI Screen Looks Reddish\)"](#) and [AV-149, "Color of RGB Image is Not Proper \(Only NAVI Screen Looks Yellowish\)"](#) .

# NAVIGATION SYSTEM

## VEHICLE SIGNALS

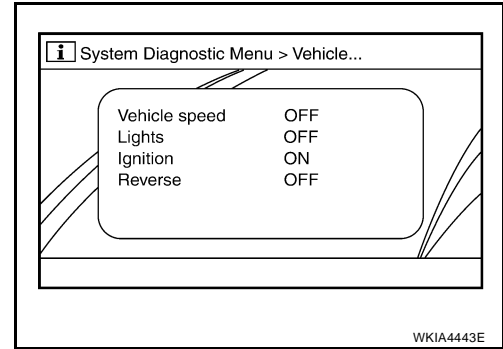
- A comparison check can be made of each actual vehicle signal and the signals recognized by the system.

**CAUTION:**

**In case of confirming light signal, set D/N mode to ON/OFF of light switch (normal setting).**

- OFF: D (Day mode)**
- ON: N (Night mode)**

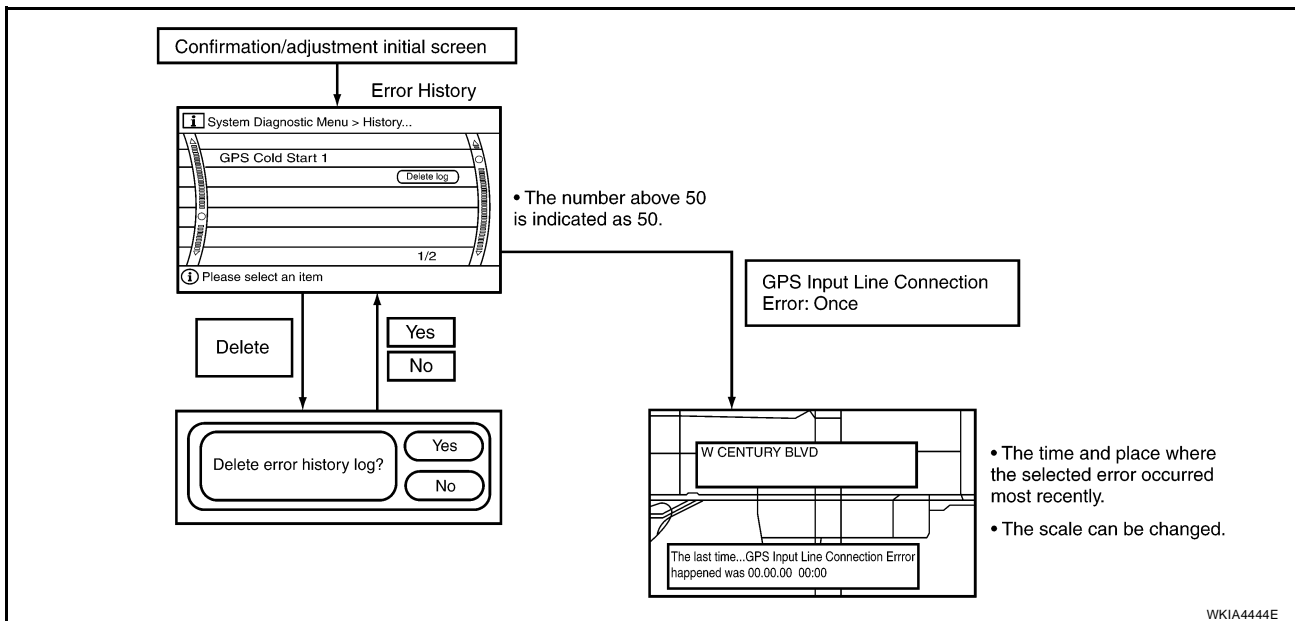
**Unless mode is in above setting, light signal (ON/OFF) may not be accurately displayed.**



Diagnosis item	Display	Condition	Remarks
Vehicle speed	ON	Vehicle speed > 0 km/h (0 MPH)	Changes in indication may be delayed by approx. 1.5 seconds. This is normal.
	OFF	Vehicle speed = 0 km/h (0 MPH)	
	-	Ignition switch in ACC position	
Lights	ON	Lighting switch ON	-
	OFF	Lighting switch OFF	
Ignition	ON	Ignition switch ON	-
	OFF	Ignition switch ACC	
Reverse	ON	Selector lever in R position	Changes in indication may be delayed by approx. 1.5 seconds. This is normal.
	OFF	Selector lever in other than R position	
	-	Ignition switch in ACC position	

- If vehicle speed is NG, refer to [AV-135, "Vehicle Speed Signal Check for NAVI Control Unit"](#) .
- If light is NG, refer to [AV-137, "Illumination Signal Check for NAVI Control Unit"](#) .
- If IGN is NG, refer to [AV-137, "Ignition Signal Check for NAVI Control Unit"](#) .
- If reverse is NG, refer to [AV-138, "Reverse Signal Check for NAVI Control Unit"](#) .

## ERROR HISTORY



## DIAGNOSIS BY ERROR HISTORY

The "Self-diagnosis" results indicate whether an error occurred during the period from when the ignition switch is turned to ON until "Self-diagnosis" is completed.

# NAVIGATION SYSTEM

If an error occurred before the ignition switch was turned to ON and does not occur again until the “Self-diagnosis” is completed, the diagnosis result will be judged normal. Therefore, those errors in the past which cannot be found by the “Self-diagnosis” must be found by diagnosing the “Error History”.

The Error History displays the time and place of the most recent occurrence of that error. However, take note of the following points.

- Correct time of the error occurrence may not be displayed when the GPS antenna substrate within the NAVI control unit has malfunctioned.
- Place of the error occurrence is represented by the position of the current-location mark at the time when the error occurred. If the current-location mark has deviated from the correct position, then the place of the error occurrence may be located correctly.
- The maximum number of occurrences which can be stored is 50. For the 51st and later occurrences, the displayed number remains 50.

When a reproducible malfunction occurred but its cause cannot be identified because several errors are present, record the item, number and place (longitude/latitude) of error occurrence (or delete the Error History), then turn the ignition switch from OFF to ON to reproduce the malfunction. Check the Error History to find the items which show an increased number of occurrences, and diagnose the item.

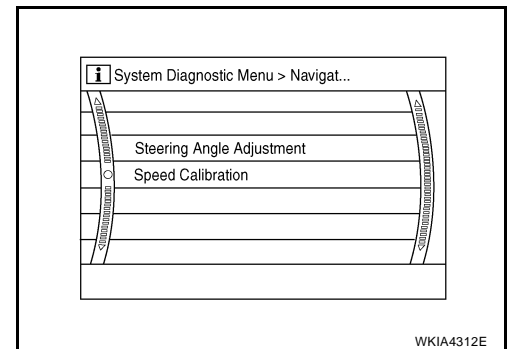
Error item	Possible causes	Example of symptom
	Action/symptom	
Gyro sensor disconnected	Communications malfunction between NAVI control unit and internal gyro.	<ul style="list-style-type: none"> <li>● Navigation location detection performance has deteriorated. (Angular velocity cannot be detected.)</li> </ul>
	<ul style="list-style-type: none"> <li>● Perform self-diagnosis.</li> <li>● When the NAVI control unit is judged normal by self-diagnosis, the symptom may be intermittent, caused by strong radio interference.</li> </ul>	
GPS disconnected	Communication error between NAVI control unit and internal GPS substrate.	<ul style="list-style-type: none"> <li>● Navigation location detection performance has deteriorated. (Location correction using GPS is not performed.)</li> <li>● GPS receiving status remains gray.</li> </ul>
	<ul style="list-style-type: none"> <li>● Perform self-diagnosis.</li> <li>● When the NAVI control unit is judged normal by self-diagnosis, the symptom may be intermittent, caused by strong radio interference.</li> </ul>	
GPS transmission cable malfunction	Malfunctioning transmission wires to NAVI control unit and internal GPS substrate.	<ul style="list-style-type: none"> <li>● During self-diagnosis, GPS diagnosis is not performed.</li> </ul>
	<ul style="list-style-type: none"> <li>● Perform self-diagnosis.</li> <li>● When the NAVI control unit is judged normal by self-diagnosis, the symptom may be intermittent, caused by strong radio interference.</li> </ul>	
GPS input line connection error	Malfunctioning receiving wires to NAVI control unit and internal GPS substrate.	<ul style="list-style-type: none"> <li>● Navigation location detection performance has deteriorated. (Location correction using GPS is not performed.)</li> <li>● GPS receiving status remains gray.</li> </ul>
	<ul style="list-style-type: none"> <li>● Perform self-diagnosis.</li> <li>● When the NAVI control unit is judged normal by self-diagnosis, the symptom may be intermittent, caused by strong radio interference.</li> </ul>	
GPS TCX0 over GPS TCX0 under	Oscillating frequency of the GPS substrate frequency synchronizing oscillation circuit exceeded (or below) the specification	<ul style="list-style-type: none"> <li>● Navigation location detection performance has deteriorated. (Location correction using GPS is not performed.)</li> <li>● GPS receiving status remains gray.</li> </ul>
	<ul style="list-style-type: none"> <li>● Perform self-diagnosis.</li> <li>● When the NAVI control unit is judged normal by self-diagnosis, the symptom may be intermittent, caused by strong radio interference, or the control unit may have been subjected to excessively high or low temperatures.</li> </ul>	
GPS ROM malfunction GPS RAM malfunction	Contents of ROM (or RAM) in GPS substrate are malfunctioning.	<ul style="list-style-type: none"> <li>● Location detection accuracy of the navigation system will deteriorate, depending on the error area in the memory, because GPS cannot make correct positioning. (Location correction using GPS is not performed.)</li> </ul>
	<ul style="list-style-type: none"> <li>● Perform self-diagnosis.</li> <li>● When the NAVI control unit is judged normal by self-diagnosis, the symptom may be intermittent, caused by strong radio interference.</li> </ul>	

# NAVIGATION SYSTEM

Error item	Possible causes	Example of symptom
	Action/symptom	
GPS RTC malfunction	Clock IC in GPS substrate is malfunctioning.	<ul style="list-style-type: none"> <li>● Correct time may not be displayed.</li> <li>● After the power is turned on, the system always takes some time until GPS positioning becomes possible. (The GPS receiver starts positioning without re-collecting the whole satellite information when it judged the data stored in the receiver is correct.)</li> <li>● Correct time of error occurrence may not be stored in the "Error History".</li> </ul>
	<ul style="list-style-type: none"> <li>● Perform self-diagnosis.</li> <li>● When the NAVI control unit is judged normal by self-diagnosis, the symptom may be intermittent, caused by strong radio interference.</li> </ul>	
GPS antenna disconnected	Malfunctioning connection between GPS substrate in NAVI control unit and GPS antenna.	<ul style="list-style-type: none"> <li>● Navigation location detection performance has deteriorated. (Location correction using GPS is not performed.)</li> <li>● GPS receiving status remains gray.</li> </ul>
	<ul style="list-style-type: none"> <li>● Perform self-diagnosis.</li> <li>● When connection between NAVI control unit and GPS antenna is judged normal by self-diagnosis, the symptom may be intermittent, caused by impact or vibration.</li> </ul>	
Low voltage of GPS	The power voltage supplied to the GPS circuit board has decreased.	<ul style="list-style-type: none"> <li>● Navigation location detection performance has deteriorated. (Location correction using GPS is not performed.)</li> <li>● GPS receiving status remains gray.</li> </ul>
	<ul style="list-style-type: none"> <li>● Perform self-diagnosis.</li> <li>● When connection between NAVI control unit and GPS antenna is judged normal by self-diagnosis, the symptom may be intermittent, caused by impact or vibration.</li> </ul>	
DVD-ROM Malfunction DVD-ROM Read error DVD-ROM Response Error	Malfunctioning NAVI control unit.	-
	Dedicated map DVD-ROM is in the system, but the data cannot be read.	<ul style="list-style-type: none"> <li>● The map of a particular location cannot be displayed.</li> <li>● Specific guidance information cannot be displayed.</li> <li>● Map display is slow.</li> <li>● Guidance information display is slow.</li> <li>● System has been affected by vibration.</li> </ul>
	<ul style="list-style-type: none"> <li>● Is map DVD-ROM damaged, warped, or dirty?                             <ul style="list-style-type: none"> <li>- If damaged or warped, the map DVD-ROM is malfunctioning.</li> <li>- If dirty, wipe the DVD-ROM clean with a soft cloth.</li> </ul> </li> <li>● Perform self-diagnosis.</li> <li>● When NAVI control unit is judged normal by self-diagnosis, the symptom is judged intermittent, caused by vibration.</li> </ul>	

## NAVIGATION

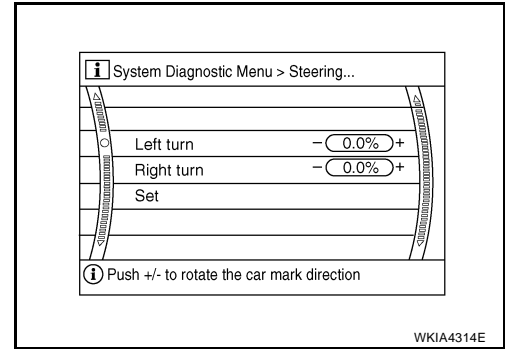
1. The navigation screen will be shown, and items "Display Longitude & Latitude", "Speed Calibration", "Angle Adjustment" and "Initialize Location" will become selective.
2. Select each switch on "NAVIGATION" screen to display the relevant diagnosis screen.



# NAVIGATION SYSTEM

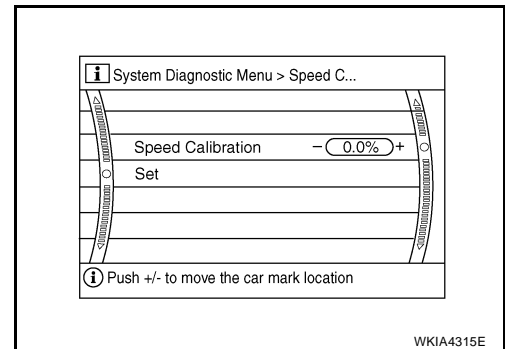
## Angle adjustment

- Adjusts turning angle output detected by the gyroscope.



## Speed Calibration

- During normal driving, distance error caused by tire wear and tire pressure change is automatically adjusted for by the automatic distance correction function. This function, on the other hand, is for immediate adjustment, in cases such as driving with tire chain fitted on tires.



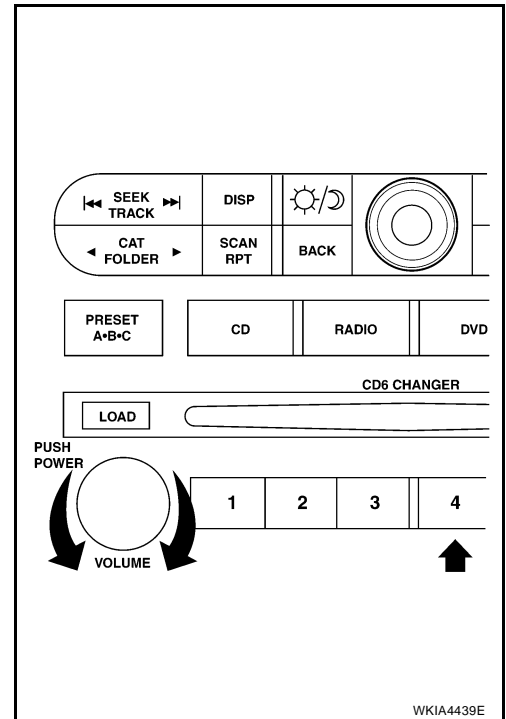
A  
B  
C  
D  
E  
F  
G  
H  
I  
J  
AV  
L  
M

# NAVIGATION SYSTEM

EKS00B4T

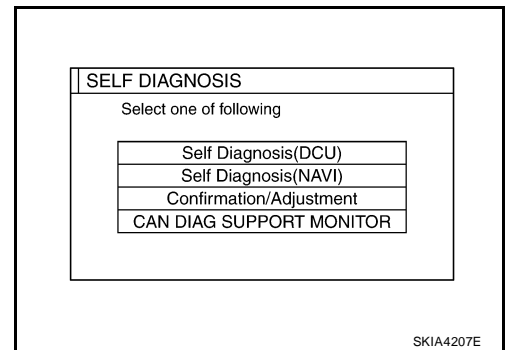
## CAN DIAG SUPPORT MONITOR OPERATION PROCEDURE

1. Start the engine.
2. Turn the audio system off.
3. While pressing the “MEMORY 4” button, turn the volume control dial clockwise or counterclockwise for 30 clicks or more. (When the self-diagnosis mode is started, a short beep will be heard.)
  - Shifting from current screen to previous screen is performed by pressing “BACK” button.



WKIA4439E

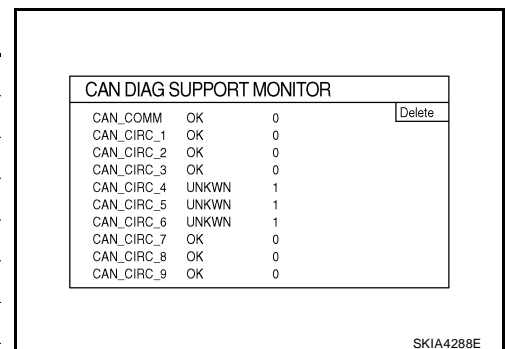
4. The initial self-diagnosis screen will be shown, and items “Self-Diagnosis (DCU)”, “Self-Diagnosis (NAVI)”, “Confirmation/Adjustment” and “CAN DIAG SUPPORT MONITOR” will become selective.
5. Select “CAN DIAG SUPPORT MONITOR”.



SKIA4207E

6. Display status of CAN communication.

Item	Content	Error counter
CAN_COMM	OK/NG	0-50
CAN_CIRC_1	OK/UNKWN	0-50
CAN_CIRC_2	OK/UNKWN	0-50
CAN_CIRC_3	OK/UNKWN	0-50
CAN_CIRC_4	OK/UNKWN	0-50
CAN_CIRC_5	OK/UNKWN	0-50
CAN_CIRC_6	OK/UNKWN	0-50
CAN_CIRC_7	OK/UNKWN	0-50
CAN_CIRC_8	OK/UNKWN	0-50
CAN_CIRC_9	OK/UNKWN	0-50



SKIA4288E

- If the ignition is turned on and UNKWN is shown on the screen, the value of the counter will be up. (MAX50)
- The value of the counter does not change if the ignition changes to OFF. (MAX50)
- If the counter shows the value of 50 and UNKWN is shown, the value of 50 will not be changed.



## AV Switch Self-Diagnosis Function

EKS00B4U

Refer to [AV-129, "AV Switch Self-Diagnosis Function"](#) .

A

B

C

D

E

F

G

H

I

J

AV

L

M

# NAVIGATION SYSTEM

## Power Supply and Ground Circuit Check for NAVI Control Unit

EKS00GDR

### 1. CHECK FUSE

Make sure the following fuses of the NAVI control unit are not blown.

Terminals		Power source	Fuse No.
Connector	Terminal		
B151	2	Battery power	31
	5	ACC/ON power	4

OK or NG

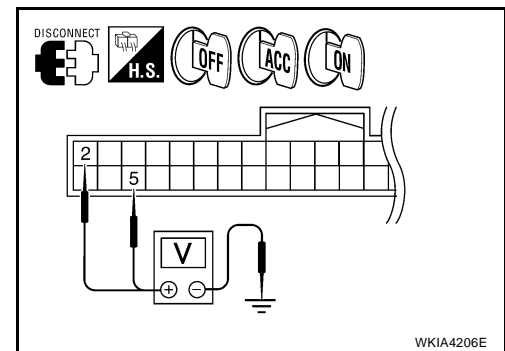
OK >> GO TO 2.

NG >> If fuse is blown, be sure to eliminate cause of malfunction before installing new fuse. Refer to [PG-4, "POWER SUPPLY ROUTING CIRCUIT"](#) .

### 2. CHECK POWER SUPPLY CIRCUIT

1. Disconnect NAVI control unit connector B151.
2. Check voltage between connector terminals and ground as follows.

Terminals		(-)	Ignition switch position		
(+)	Terminal		OFF	ACC	ON
B151	2	Ground	Battery voltage	Battery voltage	Battery voltage
	5		0V	Battery voltage	Battery voltage



OK or NG

OK >> GO TO 3.

NG >> Check harness for open between NAVI control unit and fuse.

### 3. CHECK GROUND CIRCUIT

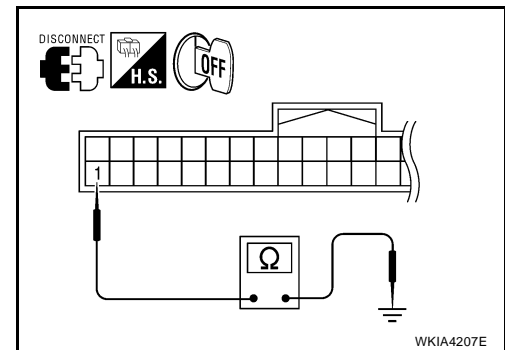
1. Turn ignition switch OFF.
2. Check continuity between the following NAVI control unit connector terminals and ground.

Terminals			Ignition switch	Continuity
Connector	Terminal	—		
B151	1	Ground	OFF	Yes

OK or NG

OK >> Inspection End.

NG >> Repair or replace harness.



# NAVIGATION SYSTEM

## Power Supply and Ground Circuit Check for Display Control Unit

EKS00B4W

### 1. CHECK FUSE

Make sure the following fuses of the display control unit are not blown.

Terminals		Power source	Fuse No.
Connector	Terminal		
M94	1	Battery power	31
	10	ACC power	4

OK or NG

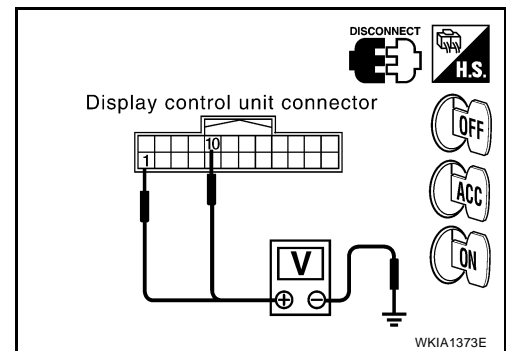
OK >> GO TO 2.

NG >> If fuse is blown, be sure to eliminate cause of malfunction before installing new fuse. Refer to [PG-4, "POWER SUPPLY ROUTING CIRCUIT"](#).

### 2. CHECK POWER SUPPLY CIRCUIT

1. Disconnect display control unit connector M94.
2. Check voltage between connector terminals and ground as follows.

Terminals		(-)	Ignition switch position		
(+)	Terminal		OFF	ACC	ON
M94	1	Ground	Battery voltage	Battery voltage	Battery voltage
	10		0V	Battery voltage	Battery voltage



OK or NG

OK >> GO TO 3.

NG >> Check harness for open between display control unit and fuse.

### 3. CHECK GROUND CIRCUIT

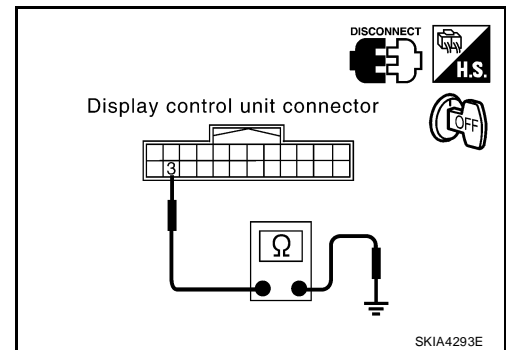
Check continuity between the following display control unit connector terminals and ground.

Terminals			Ignition switch	Continuity
Connector	Terminal	—		
M94	3	Ground	OFF	Yes

OK or NG

OK >> Inspection End.

NG >> Repair or replace harness.



# NAVIGATION SYSTEM

EKS00B4X

## Power Supply and Ground Circuit Check for Display Unit

### 1. CHECK POWER SUPPLY AND GROUND CIRCUIT FOR DISPLAY CONTROL UNIT

1. Check power supply and ground circuit for display control unit. Refer to [AV-131, "Power Supply and Ground Circuit Check for Display Control Unit"](#) .

OK or NG

- OK >> GO TO 2.
- NG >> Repair malfunctioning part.

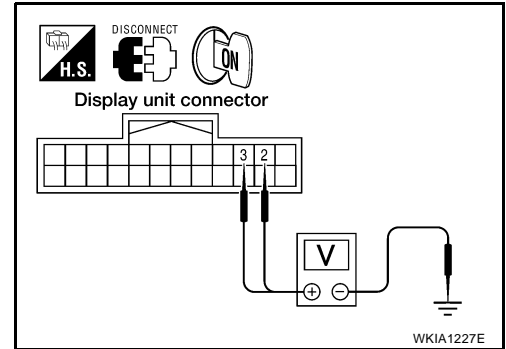
### 2. CHECK POWER SUPPLY CIRCUIT FOR DISPLAY UNIT

1. Disconnect display unit connector M93.
2. Turn ignition switch ON.
3. Check voltage between display unit harness connector M93 terminals 2, 3 and ground.

Approx. 9V

OK or NG

- OK >> GO TO 4.
- NG >> GO TO 3.



### 3. CHECK HARNESS

1. Turn ignition switch OFF.
2. Disconnect display control unit connector M94.
3. Check continuity between display control unit harness connector M94 terminals 2, 4 and display unit harness connector M93 terminals 2, 3.

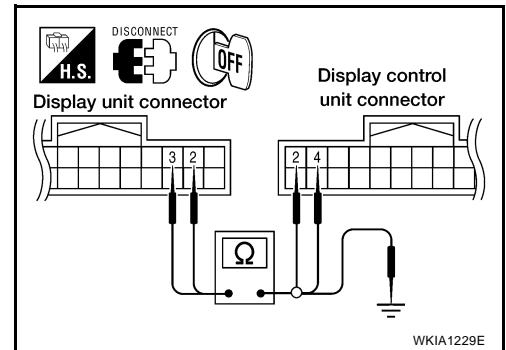
Terminals				Continuity
Display control unit		Display unit		
Connector	Terminal	Connector	Terminal	
M94	2	M93	2	Yes
	4		3	

4. Check continuity between display unit and ground.

Terminals				Continuity
Display unit			—	
Connector	Terminal		Ground	
M93	2		Ground	No
	3			

OK or NG

- OK >> Replace display control unit. Refer to [AV-171, "DISPLAY CONTROL UNIT"](#) .
- NG >> Repair harness.



# NAVIGATION SYSTEM

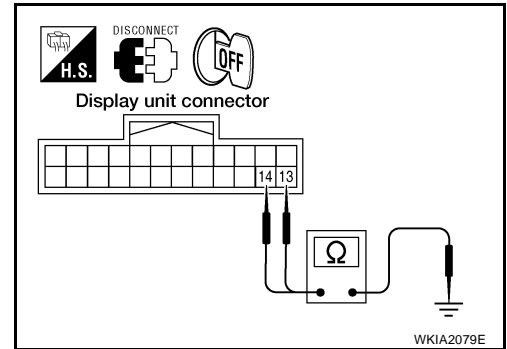
## 4. CHECK GROUND CIRCUIT

1. Turn ignition switch OFF.
2. Check continuity between display unit harness connector M93 terminals 13, 14 and ground.

**Continuity should exist.**

OK or NG

- OK >> GO TO 6.  
 NG >> GO TO 5.



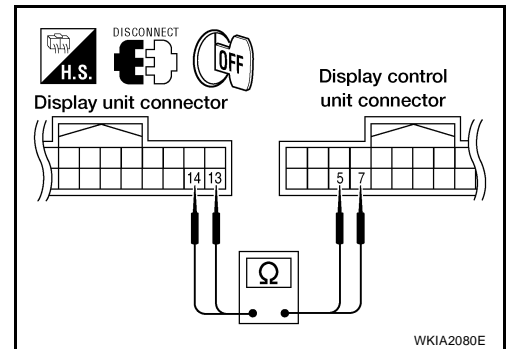
## 5. CHECK HARNESS

1. Disconnect display control unit connector M94.
2. Check continuity between display unit harness connector M93 terminals 13, 14 and display control unit harness connector M94 terminals 5, 7.

**Continuity should exist.**

OK or NG

- OK >> Replace display control unit. Refer to [AV-171, "DISPLAY CONTROL UNIT"](#).
- NG >> Repair harness.



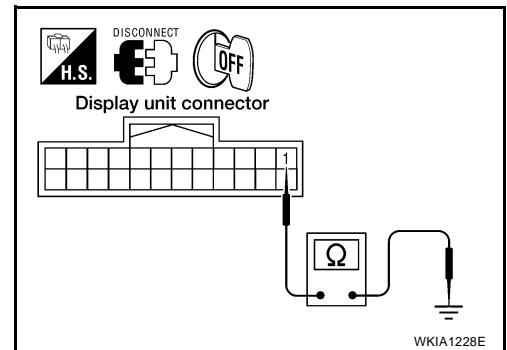
## 6. CHECK GROUND CIRCUIT

Check continuity between display unit and ground as follows.

Connector	Terminals		Ignition switch	Continuity
	Terminal	—		
M93	1	Ground	OFF	Yes

OK or NG

- OK >> Inspection End.  
 NG >> Repair harness.



A  
B  
C  
D  
E  
F  
G  
H  
I  
J  
AV  
L  
M

# NAVIGATION SYSTEM

EKS00B4Y

## Power Supply and Ground Circuit Check for AV Switch

### 1. CHECK FUSE

Make sure the following fuses of the AV switch are not blown.

Terminals		Power source	Fuse No.
Connector	Terminal		
M98	1	Battery power	31
	2	ACC power	4

OK or NG

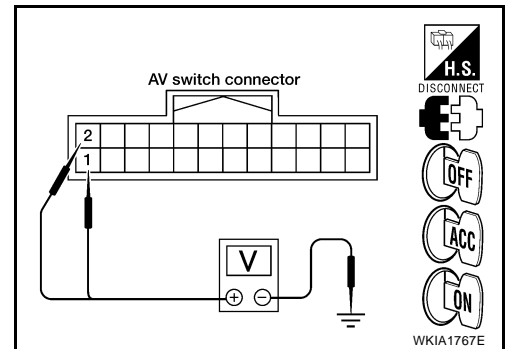
OK >> GO TO 2.

NG >> If fuse is blown, be sure to eliminate cause of malfunction before installing new fuse. Refer to [PG-4, "POWER SUPPLY ROUTING CIRCUIT"](#) .

### 2. CHECK POWER SUPPLY CIRCUIT

1. Disconnect AV switch connector.
2. Check voltage between connector terminals and ground as follows.

Terminals			Ignition switch position		
(+)		(-)	OFF	ACC	ON
Connector	Terminal		Battery voltage	Battery voltage	Battery voltage
M98	1	Ground	Battery voltage	Battery voltage	Battery voltage
	2		0V	Battery voltage	Battery voltage



OK or NG

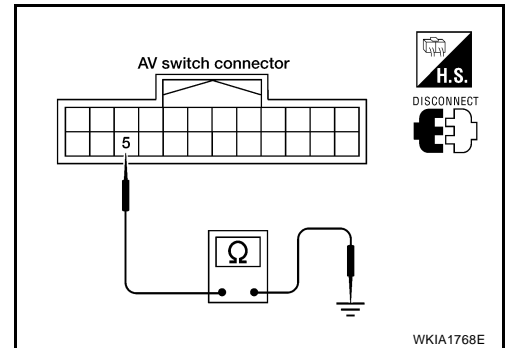
OK >> GO TO 3.

NG >> Check harness for open between AV switch and fuse.

### 3. CHECK GROUND CIRCUIT

Check continuity between AV switch and ground as follows.

Terminals			Ignition switch	Continuity
Connector	Terminal	—		
M98	5	Ground	OFF	Yes



OK or NG

OK >> Inspection End.

NG >> Repair or replace harness.

# NAVIGATION SYSTEM

EKS00B4Z

## Vehicle Speed Signal Check for NAVI Control Unit

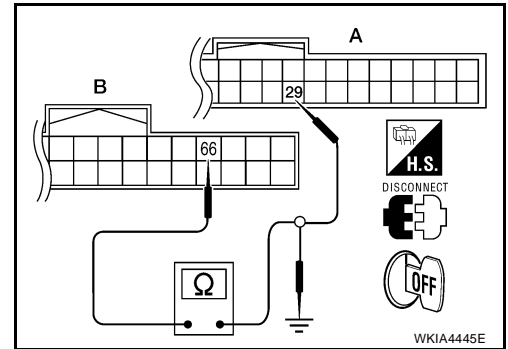
### 1. CHECK HARNESS

1. Turn ignition switch OFF.
2. Disconnect NAVI control unit connector B152, combination meter connector M24 and display control unit connector M94.
3. Check continuity between NAVI control unit harness connector B152 (B) terminal 66 and combination meter harness connector M24 (A) terminal 29.

**Continuity should exist.**

4. Check continuity between NAVI control unit harness connector B152 (B) terminal 66 and ground.

**Continuity should not exist.**



OK or NG

- OK >> GO TO 2.
- NG >> Repair harness.

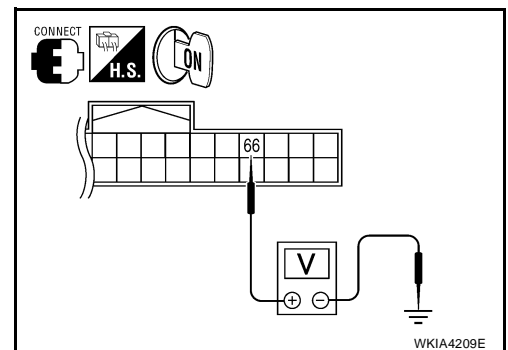
### 2. CHECK 1: VEHICLE SPEED SIGNAL

1. Connect NAVI control unit connector.
2. Turn ignition switch ON.
3. Check voltage between NAVI control unit harness connector B152 terminal 66 and ground.

**Approx. 3.5V or more**

OK or NG

- OK >> GO TO 3.
- NG >> Replace NAVI control unit. Refer to [AV-172, "NAVI CONTROL UNIT"](#).



### 3. CHECK 2: VEHICLE SPEED SIGNAL

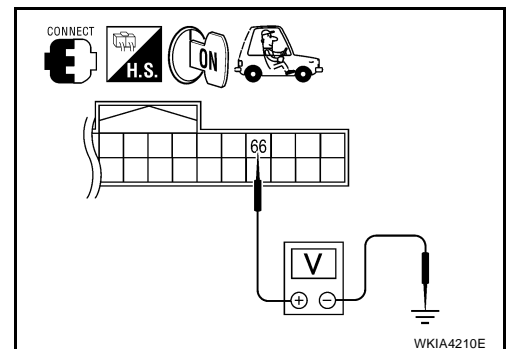
1. Connect combination meter connector and display control unit connector.
2. Drive vehicle at a constant speed.
3. Check signal between NAVI control unit harness connector B152 terminal 66 and ground with CONSULT-II or oscilloscope.

**66 - Ground**

**: Refer to [AV-104, "Terminals and Reference Value for NAVI Control Unit"](#).**

OK or NG

- OK >> Replace NAVI control unit. Refer to [AV-172, "NAVI CONTROL UNIT"](#).
- NG >> Check combination meter system. Refer to [DI-19, "Vehicle Speed Signal Inspection"](#).



# NAVIGATION SYSTEM

EKS00B50

## Vehicle Speed Signal Check for Display Control Unit

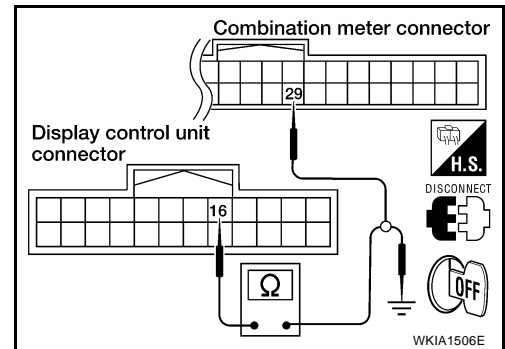
### 1. CHECK HARNESS

1. Turn ignition switch OFF.
2. Disconnect display control unit connector M94, combination meter connector M24 and NAVI control unit connector B152.
3. Check continuity between display control unit harness connector M94 terminal 16 and combination meter harness connector M24 terminal 29.

**Continuity should exist.**

4. Check continuity between display control unit harness connector M94 terminal 16 and ground.

**Continuity should not exist.**



OK or NG

OK >> GO TO 2.

NG >> Repair harness.

### 2. CHECK 1: VEHICLE SPEED SIGNAL

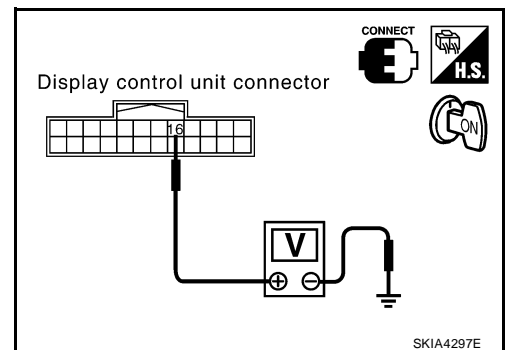
1. Connect display control unit connector.
2. Turn ignition switch ON.
3. Check voltage between display control unit harness connector M94 terminal 16 and ground.

**Approx. 3.5V or more**

OK or NG

OK >> GO TO 3.

NG >> Replace display control unit. Refer to [AV-171, "DISPLAY CONTROL UNIT"](#).



### 3. CHECK 2: VEHICLE SPEED SIGNAL

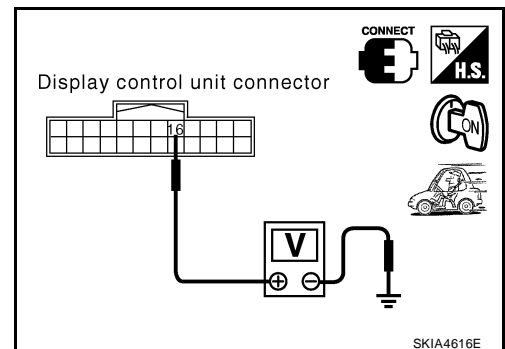
1. Connect combination meter connector and NAVI control unit connector.
2. Drive vehicle at a constant speed.
3. Check signal between display control unit harness connector M94 terminal 16 and ground with CONSULT-II or oscilloscope.

**16 - Ground : Refer to [AV-106, "Terminals and Reference Value for Display Control Unit"](#).**

OK or NG

OK >> Replace display control unit. Refer to [AV-171, "DISPLAY CONTROL UNIT"](#).

NG >> Check combination meter system. Refer to [DI-19, "Vehicle Speed Signal Inspection"](#).





# NAVIGATION SYSTEM

## Illumination Signal Check for NAVI Control Unit

EKS00B51

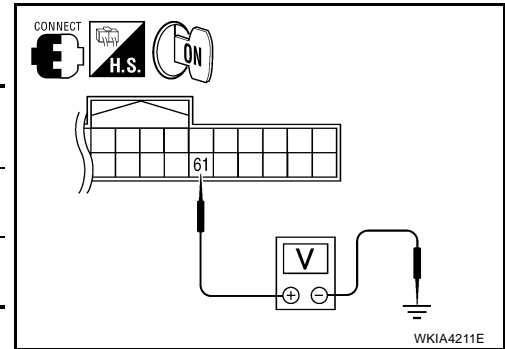
### 1. CHECK ILLUMINATION SIGNAL

1. Turn the ignition switch ON.
2. Check voltage between NAVI control unit and ground.

Terminals			Lighting switch position	
(+)		(-)	1st or 2nd position	OFF
Connector	Terminal		Battery voltage	Approx. 0V
B152	61	Ground	Battery voltage	Approx. 0V

#### OK or NG

- OK >> Replace NAVI control unit. Refer to [AV-172, "NAVI CONTROL UNIT"](#).
- NG >> Check harness for open or short between NAVI control unit and IPDM E/R.



## Illumination Signal Check for Display Control Unit

EKS00B52

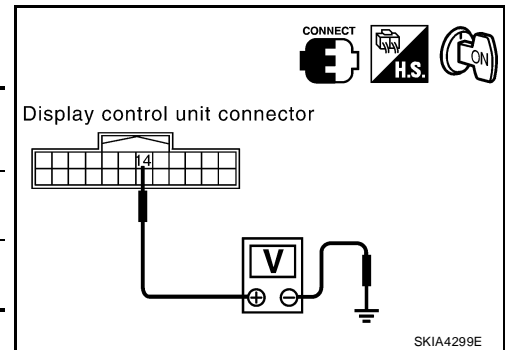
### 1. CHECK ILLUMINATION SIGNAL

1. Turn ignition switch ON.
2. Check voltage between display control unit and ground.

Terminals			Lighting switch position	
(+)		(-)	1st or 2nd position	OFF
Connector	Terminal		Battery voltage	Approx. 0V
M94	14	Ground	Battery voltage	Approx. 0V

#### OK or NG

- OK >> Replace display control unit. Refer to [AV-171, "DISPLAY CONTROL UNIT"](#).
- NG >> Check harness for open or short between display control unit and IPDM E/R.



## Ignition Signal Check for NAVI Control Unit

EKS00B53

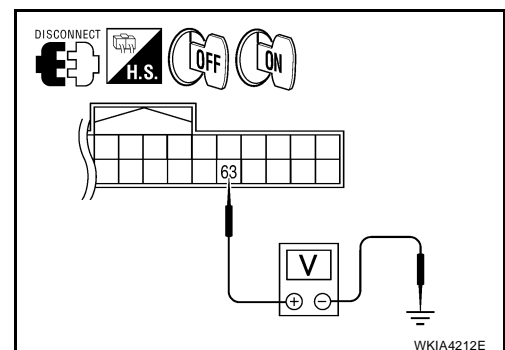
### 1. CHECK IGNITION SIGNAL

1. Disconnect NAVI control unit connector B152.
2. Turn ignition switch ON.
3. Check voltage between NAVI control unit harness connector B152 terminal 63 and ground.

**Battery voltage should exist.**

#### OK or NG

- OK >> Replace NAVI control unit. Refer to [AV-172, "NAVI CONTROL UNIT"](#).
- NG >> Check harness for open or short between NAVI control unit and fuse.



# NAVIGATION SYSTEM

EKS00B54

## Ignition Signal Check for Display Control Unit

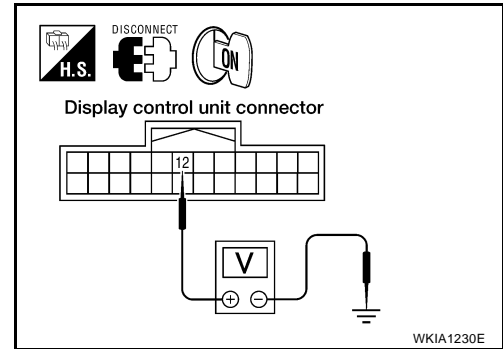
### 1. CHECK IGNITION SIGNAL

1. Disconnect display control unit connector M94.
2. Turn ignition switch ON.
3. Check voltage between display control unit harness connector M94 terminal 12 and ground.

**Battery voltage should exist.**

OK or NG

- OK >> Replace display control unit. Refer to [AV-171, "DISPLAY CONTROL UNIT"](#).
- NG >> Check harness for open or short between display control unit and fuse.



## Reverse Signal Check for NAVI Control Unit

EKS00B55

### 1. CHECK REVERSE LAMP

1. Turn ignition switch ON.
2. Place A/T selector lever into R-position. Do back-up lamps come on?

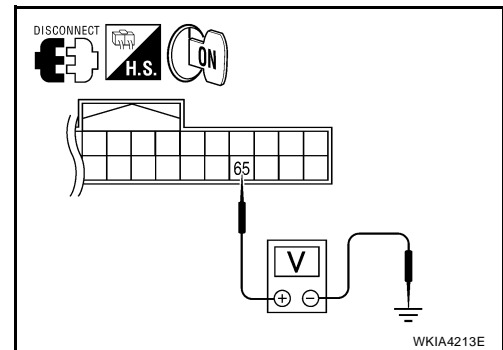
YES or NO

- YES >> GO TO 2.
- NO >> Check back-up lamp system. Refer to [LT-108, "BACK-UP LAMP"](#).

### 2. CHECK REVERSE SIGNAL

1. Disconnect NAVI control unit connector B152.
2. Turn ignition switch ON.
3. With the A/T selector lever in R-position, check voltage between NAVI control unit and ground.

Terminals		Selector lever position		
(+)			(-)	
Connector	Terminal		R-position	Other than R-position
B152	65	Ground	Battery voltage	Approx. 0V



OK or NG

- OK >> Replace NAVI control unit. Refer to [AV-172, "NAVI CONTROL UNIT"](#).
- NG >> Check harness for open or short between NAVI control unit and back-up lamp position relay.

## Reverse Signal Check for Display Control Unit

EKS00B56

### 1. CHECK REVERSE LAMP

1. Turn ignition switch ON.
2. Place A/T selector lever into R-position. Do back-up lamps come on?

YES or NO

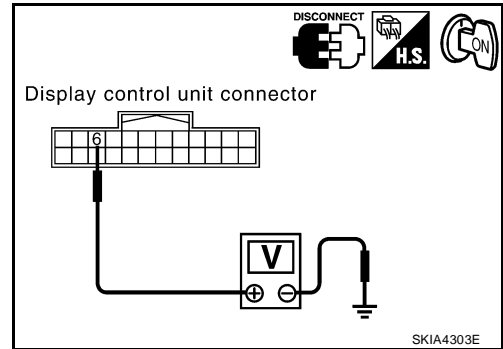
- YES >> GO TO 2.
- NO >> Check back-up lamp system. Refer to [LT-108, "BACK-UP LAMP"](#).

# NAVIGATION SYSTEM

## 2. CHECK REVERSE SIGNAL

1. Disconnect display control unit connector M94.
2. Turn ignition switch ON.
3. With the A/T selector lever in R-position, check voltage between display control unit and ground.

Terminals			Selector lever position	
(+)		(-)	R-position	Other than R-position
Connector	Terminal		Battery voltage	Approx. 0V
M94	6	Ground	Battery voltage	Approx. 0V



### OK or NG

- OK >> Replace display control unit. Refer to [AV-171, "DISPLAY CONTROL UNIT"](#).
- NG >> Check harness for open or short between display control unit and back-up lamp position relay.

## AV Communication Line Check (Between Display Control Unit and NAVI Control Unit)

EKS00B57

### 1. CHECK POWER SUPPLY AND GROUND CIRCUIT

Check power supply and ground circuit for NAVI control unit. Refer to [AV-130, "Power Supply and Ground Circuit Check for NAVI Control Unit"](#).

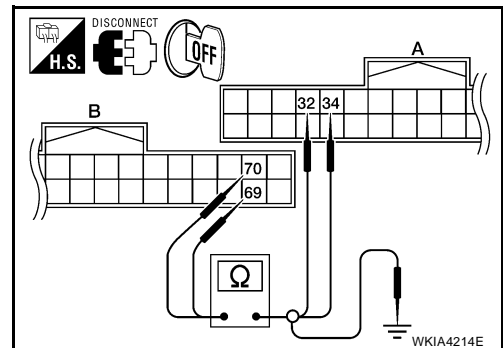
### OK or NG

- OK >> GO TO 2.
- NG >> Check the malfunctioning parts.

## 2. CHECK HARNESS

1. Turn ignition switch OFF.
2. Disconnect NAVI control unit connector B152 and display control unit connector M95.
3. Check continuity between NAVI control unit and display control unit.

Terminals				Continuity
B		A		
Connector	Terminal	Connector	Terminal	Yes
NAVI control unit: B152	69	Display control unit: M95	32	
	70		34	



4. Check continuity between NAVI control unit and ground.

Terminals			Continuity
B		—	
Connector	Terminal	Ground	No
NAVI control unit: B152	69	Ground	
	70		

### OK or NG

- OK >> GO TO 3.
- NG >> Repair harness or connector.

# NAVIGATION SYSTEM

## 3. CHECK SELF-DIAGNOSIS OF DCU

1. Replace NAVI control unit.
2. Connect NAVI control unit connector and display control unit connector.
3. Turn ignition switch ON.
4. Start self-diagnosis of DCU and check the self-diagnosis result.

OK or NG

OK >> Inspection End.

NG >> Replace display control unit. Refer to [AV-171, "DISPLAY CONTROL UNIT"](#) .

## Audio Communication Line Check (Between Display Control Unit and Audio Unit)

EKS00B58

### 1. CHECK POWER SUPPLY AND GROUND CIRCUIT

1. Check power supply and ground circuit for audio unit. Refer to [AV-47, "Power Supply Circuit Inspection"](#) .

OK or NG

OK >> GO TO 2.

NG >> Check the malfunctioning parts.

### 2. CHECK HARNESS

1. Turn ignition switch OFF.
2. Disconnect audio unit connector M45 and display control unit connector M95.
3. Check continuity between audio unit and display control unit.

Terminals				Continuity
Display control unit		Audio unit		
Connector	Terminal	Connector	Terminal	
M95	40	M45	65	Yes
	42		66	

4. Check continuity between display control unit and ground.

Terminals				Continuity
Display control unit		—		
Connector	Terminal			
M95	40	Ground		No
	42			

OK or NG

OK >> GO TO 3.

NG >> Repair harness or connector.

### 3. CHECK 1: AUDIO-TX COMMUNICATION SIGNAL

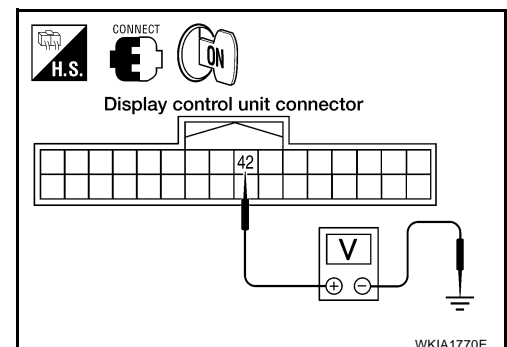
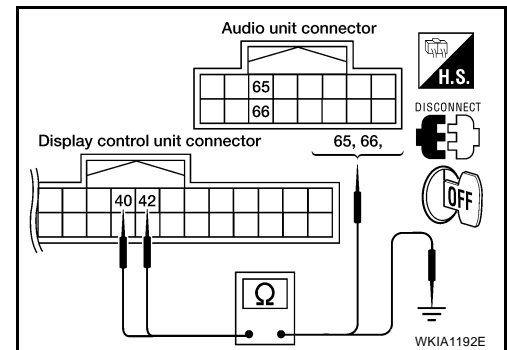
1. Connect display control unit connector.
2. Turn ignition switch ON.
3. Check voltage between display control unit harness connector M95 terminal 42 and ground.

**Approx. 3.5V or more.**

OK or NG

OK >> GO TO 4.

NG >> Replace display control unit. Refer to [AV-171, "DISPLAY CONTROL UNIT"](#) .



# NAVIGATION SYSTEM

## 4. CHECK 2: AUDIO-RX COMMUNICATION SIGNAL

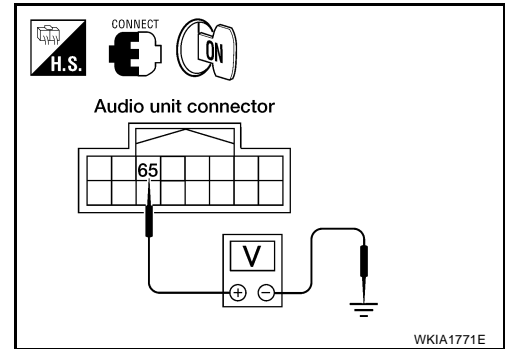
1. Turn ignition switch OFF.
2. Disconnect display control unit connector M95.
3. Connect audio unit connector M45.
4. Turn ignition switch ON.
5. Check voltage between audio unit harness connector M45 terminal 65 and ground.

**Approx. 3.5V or more.**

OK or NG

OK >> GO TO 5.

NG >> Replace audio unit. Refer to [AV-70, "Removal and Installation"](#).



## 5. CHECK 3: AUDIO-TX COMMUNICATION SIGNAL

Check signal between display control unit harness connector M95 terminal 40 and ground with CONSULT-II or oscilloscope.

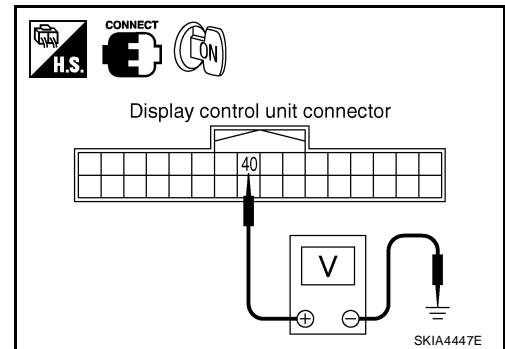
**40 - Ground**

**: Refer to [AV-106, "Terminals and Reference Value for Display Control Unit"](#).**

OK or NG

OK >> GO TO 6.

NG >> Replace display control unit. Refer to [AV-171, "DISPLAY CONTROL UNIT"](#).



## 6. CHECK 4: AUDIO-RX COMMUNICATION SIGNAL

1. Turn ignition switch ON.
2. Check signal between display control unit harness connector M95 terminal 42 and ground with CONSULT-II or oscilloscope.

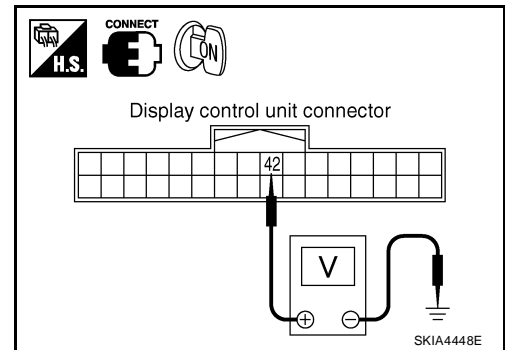
**42 - Ground**

**: Refer to [AV-106, "Terminals and Reference Value for Display Control Unit"](#).**

OK or NG

OK >> Inspection End.

NG >> Replace audio unit. Refer to [AV-70, "Removal and Installation"](#).



# NAVIGATION SYSTEM

EKS00B59

## Display Communication Line Check (Between Display Control Unit and Display Unit)

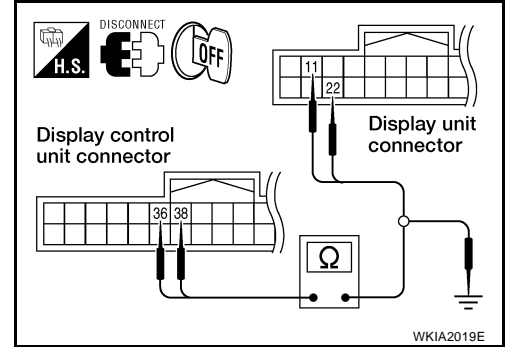
### 1. CHECK HARNESS

1. Turn ignition switch OFF.
2. Disconnect display unit connector M93 and display control unit connector M95.
3. Check continuity between display control unit and display unit.

Terminals				Continuity
Display control unit		Display unit		
Connector	Terminal	Connector	Terminal	
M95	36	M93	11	Yes
	38		22	

4. Check continuity between display control unit and ground.

Terminals				Continuity
Display control unit		—		
Connector	Terminal			
M95	36	Ground		No
	38			



OK or NG

- OK >> GO TO 2.  
 NG >> Repair harness or connector.

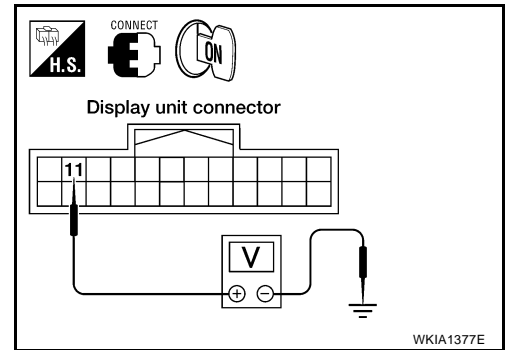
### 2. CHECK 1: COMMUNICATION SIGNAL (DCU–DSP)

1. Connect display unit connector.
2. Turn ignition switch ON.
3. Check voltage between display unit harness connector M93 terminal 11 and ground.

**Approx. 3.5V or more.**

OK or NG

- OK >> GO TO 3.  
 NG >> Replace display unit. Refer to [AV-171, "DISPLAY UNIT"](#)



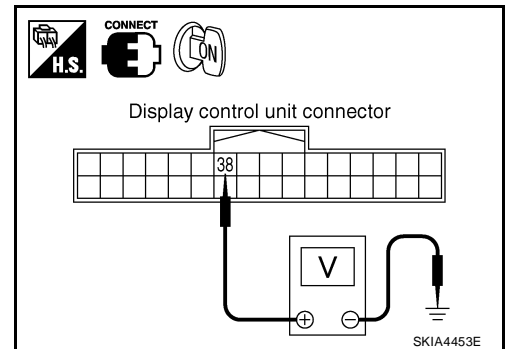
### 3. CHECK 2: COMMUNICATION SIGNAL (DSP–DCU)

1. Turn ignition switch OFF.
2. Connect display control unit connector.
3. Turn ignition switch ON.
4. Check voltage between display control unit harness connector M95 terminal 38 and ground.

**Approx. 3.5V or more.**

OK or NG

- OK >> GO TO 4.  
 NG >> Replace display control unit. Refer to [AV-171, "DISPLAY CONTROL UNIT"](#).



# NAVIGATION SYSTEM

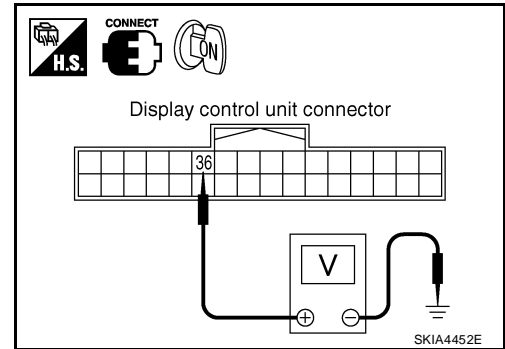
## 4. CHECK 3: COMMUNICATION SIGNAL (DCU-DSP)

Check signal between display control unit harness connector M95 terminal 36 and ground with CONSULT-II or oscilloscope.

**36 - Ground** : Refer to [AV-106, "Terminals and Reference Value for Display Control Unit"](#) .

OK or NG

- OK >> GO TO 5.
- NG >> Replace display control unit. Refer to [AV-171, "DISPLAY CONTROL UNIT"](#) .



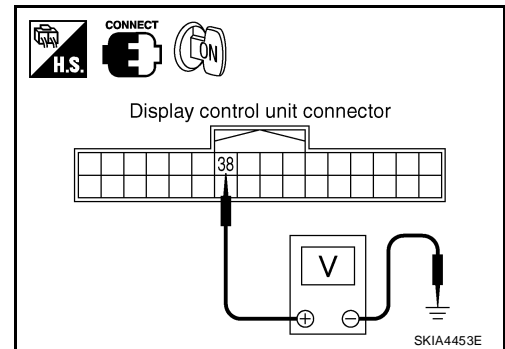
## 5. CHECK 4: COMMUNICATION SIGNAL (DSP-DCU)

Check signal between display control unit harness connector M95 terminal 38 and ground with CONSULT-II or oscilloscope.

**38 - Ground** : Refer to [AV-106, "Terminals and Reference Value for Display Control Unit"](#) .

OK or NG

- OK >> Inspection End.
- NG >> Replace display unit. Refer to [AV-171, "DISPLAY UNIT"](#)



## AV Communication Line Check (Between Display Control Unit and AV Switch)

EKS00B5A

### 1. CHECK AV SWITCH CIRCUIT

1. Turn ignition switch OFF.
2. Disconnect display control unit connector M95 and AV switch connector M98.
3. Check continuity between display control unit and AV switch.

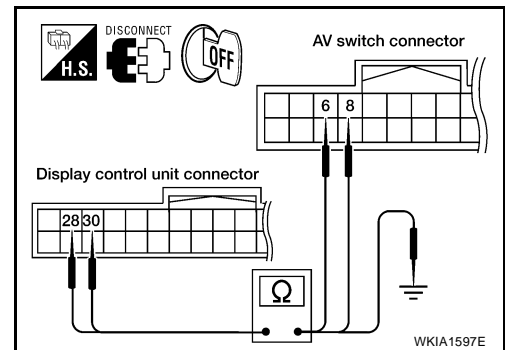
Terminals				Continuity
Display control unit		AV switch		
Connector	Terminal	Connector	Terminal	
M95	28	M98	6	Yes
	30		8	

4. Check continuity between display control unit and ground.

Terminals				Continuity
Display control unit		—		
Connector	Terminal			
M95	28	Ground		No
	30			

OK or NG

- OK >> GO TO 2.
- NG >> Repair harness or connector.



# NAVIGATION SYSTEM

## 2. CHECK SELF-DIAGNOSIS OF DCU

1. Replace AV switch.
2. Connect display control unit connector and AV switch connector.
3. Turn ignition switch ON.
4. Start self-diagnosis of DCU and check the self-diagnosis result.

OK or NG

- OK >> Inspection End.  
 NG >> Replace display control unit. Refer to [AV-171, "DISPLAY CONTROL UNIT"](#) .

## CAN Communication Line Check

EKS00B5B

### 1. CHECK MONITOR DESCRIPTION

1. Start display control unit self-diagnosis. Refer to [AV-115, "Self-Diagnosis Mode \(DCU\)"](#) .
2. Select "CAN DIAG SUPPORT MONITOR". Refer to [AV-128, "CAN DIAG SUPPORT MONITOR"](#) .

CAN DIAG SUPPORT MONITOR			
CAN_COMM	OK	0	Delete
CAN_CIRC_1	OK	0	
CAN_CIRC_2	OK	0	
CAN_CIRC_3	OK	0	
CAN_CIRC_4	UNKWN	1	
CAN_CIRC_5	UNKWN	1	
CAN_CIRC_6	UNKWN	1	
CAN_CIRC_7	OK	0	
CAN_CIRC_8	OK	0	
CAN_CIRC_9	OK	0	

SK1A4288E

Item	content		Error counter
	Normal condition	Error (Example)	
CAN_COMM	OK	NG	0-50
CAN_CIRC_1	OK	UNKWN	0-50
CAN_CIRC_2	OK	UNKWN	0-50
CAN_CIRC_3	OK	UNKWN	0-50
CAN_CIRC_4	OK	UNKWN	0-50
CAN_CIRC_5	OK	UNKWN	0-50
CAN_CIRC_6	OK	UNKWN	0-50
CAN_CIRC_7	OK	UNKWN	0-50
CAN_CIRC_8	OK	UNKWN	0-50
CAN_CIRC_9	OK	UNKWN	0-50

3. Record each item display description (OK/NG/UNKWN) displayed on the following CAN DIAG SUPPORT MONITOR Check Sheet.

#### CAN DIAG SUPPORT MONITOR Check Sheet

Diagnosis item	Screen display		Diagnosis item	Screen display	
CAN_COMM	OK	NG	CAN_CIRC_5	OK	UNKWN
CAN_CIRC_1	OK	UNKWN	CAN_CIRC_6	OK	UNKWN
CAN_CIRC_2	OK	UNKWN	CAN_CIRC_7	OK	UNKWN
CAN_CIRC_3	OK	UNKWN	CAN_CIRC_8	OK	UNKWN
CAN_CIRC_4	OK	UNKWN	CAN_CIRC_9	OK	UNKWN

>> After filling in CAN DIAG SUPPORT MONITOR Check Sheet, GO TO [LAN-25, "CAN COMMUNICATION"](#) .

## If NAVI Control Unit Detects That DVD-ROM Map is Not Inserted

EKS00B5C

### 1. CHECK DVD-ROM

Make sure identified DVD-ROM map is inserted.

OK or NG

- OK >> Replace NAVI control unit. Refer to [AV-172, "NAVI CONTROL UNIT"](#) .  
 NG >> Insert identified DVD-ROM map.



# NAVIGATION SYSTEM

## If NAVI Control Unit Detects That Inserted DVD-ROM Map is Malfunctioning or If It is Impossible to Load Data from DVD-ROM Map

EKS00B5D

### 1. CHECK 1: DVD-ROM

Remove inserted DVD-ROM map to check that it is identified.

OK or NG

OK >> GO TO 2.

NG >> Replace identified DVD-ROM map.

### 2. CHECK 2: DVD-ROM

Check DVD-ROM for dirt, scratches and warpage.

OK or NG

OK >> GO TO 3.

NG >> Replace DVD-ROM map.

### 3. CHECK 3: DVD-ROM

Insert same DVD-ROM to make sure same diagnosis result is found as last self-diagnosis.

OK or NG

OK >> Replace NAVI control unit. Refer to [AV-172, "NAVI CONTROL UNIT"](#) .

NG >> Replace DVD-ROM map.

## If Connection Between NAVI Control Unit and GPS Antenna is Malfunctioning

EKS00B5E

### 1. CHECK GPS ANTENNA

Check cable for GPS antenna for damage.

OK or NG

OK >> GO TO 2.

NG >> Replace GPS antenna. Refer to [AV-171, "GPS ANTENNA"](#) .

### 2. CHECK BY REPLACEMENT OF GPS ANTENNA

Replace with other functional GPS antenna to try self-diagnosis again.

Result of self-diagnosis; Found same result?

YES >> Replace NAVI control unit. Refer to [AV-172, "NAVI CONTROL UNIT"](#) .

NO >> Replace GPS antenna. Refer to [AV-171, "GPS ANTENNA"](#) .

A  
B  
C  
D  
E  
F  
G  
H  
I  
J  
L  
M

AV

# NAVIGATION SYSTEM

## Operating Screen for Audio and A/C is Not Displayed When Showing NAVI Screen

EKS00B5F

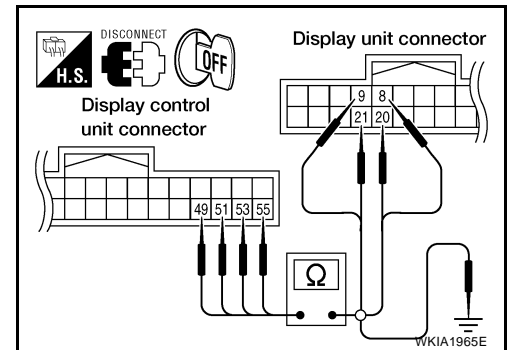
### 1. CHECK HARNESS

1. Turn ignition switch OFF.
2. Disconnect display control unit connector M95 and display unit connector M93.
3. Check continuity between display control unit harness connector M95 terminal 49, 51, 53, 55 and display unit harness connector M93 terminal 21, 9, 20, 8.

**Continuity should exist.**

4. Check continuity between display control unit harness connector M95 terminal 49, 51, 53, 55 and ground.

**Continuity should not exist.**



OK or NG

- OK >> GO TO 2.
- NG >> Repair harness.

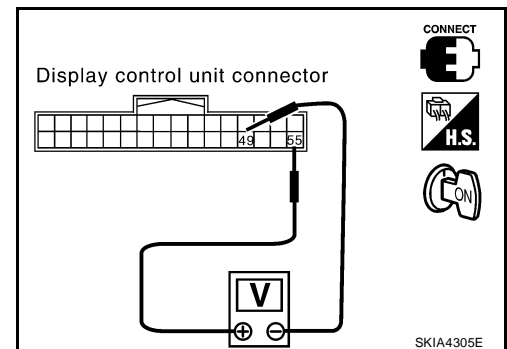
### 2. CHECK HORIZONTAL SYNCHRONIZATION SIGNAL

1. Connect display control unit connector and display unit connector.
2. Turn ignition switch ON.
3. Check signal between display control unit connector M95 terminals 55 and 49 with CONSULT-II or oscilloscope.

**55 - 49 : Refer to [AV-106, "Terminals and Reference Value for Display Control Unit"](#) .**

OK or NG

- OK >> GO TO 3.
- NG >> Replace display unit. Refer to [AV-171, "DISPLAY UNIT"](#)



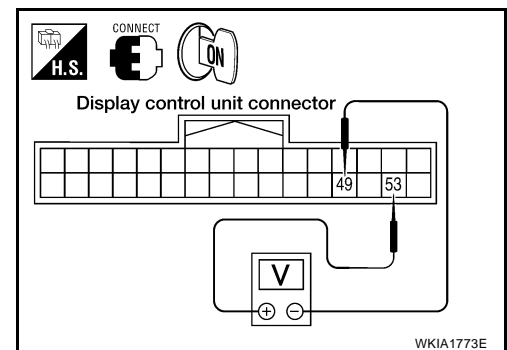
### 3. CHECK VERTICAL SYNCHRONIZATION SIGNAL

1. Turn ignition switch ON.
2. Check signal between display control unit connector M95 terminals 53 and 49 with CONSULT-II or oscilloscope.

**53 - 49 : Refer to [AV-106, "Terminals and Reference Value for Display Control Unit"](#) .**

OK or NG

- OK >> GO TO 4.
- NG >> Replace display unit. Refer to [AV-171, "DISPLAY UNIT"](#)



# NAVIGATION SYSTEM

## 4. CHECK RGB AREA SIGNAL

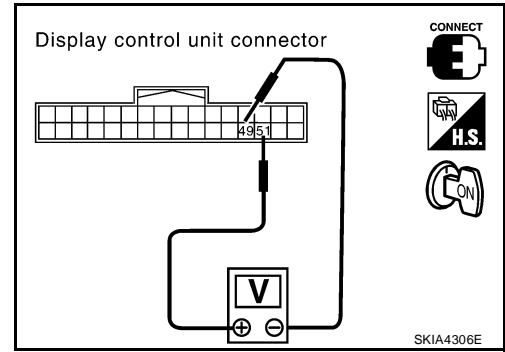
1. Press the "TRIP" button.
2. Check signal between display control unit connector M95 terminals 51 and 49 with CONSULT-II or oscilloscope.

**51 - 49** : Refer to [AV-106, "Terminals and Reference Value for Display Control Unit"](#) .

OK or NG

OK >> Replace display unit. Refer to [AV-171, "DISPLAY UNIT"](#)

NG >> Replace display control unit. Refer to [AV-171, "DISPLAY CONTROL UNIT"](#) .



## Color of RGB Image is Not Proper (Only NAVI Screen Looks Bluish)

EKS00B5G

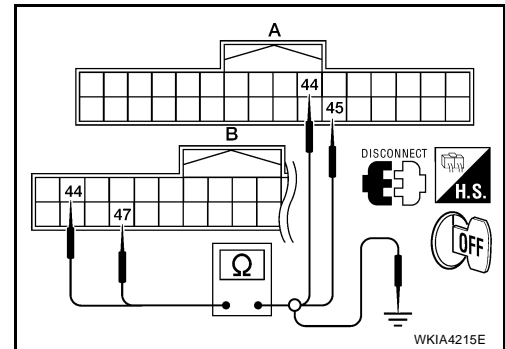
### 1. CHECK RGB HARNESS

1. Turn ignition switch OFF.
2. Disconnect NAVI control unit connector B152 and display control unit connector M95.
3. Check continuity between NAVI control unit and display control unit.
4. Check continuity between NAVI control unit and ground.

● **When the screen looks bluish.**

Terminals				Continuity
B		A		
Connector	Terminal	Connector	Terminal	
NAVI control unit: B152	44	Display control unit: M95	44	Yes
	47		45	

Terminals				Continuity
B		—		
Connector	Terminal			
NAVI control unit: B152	44	Ground		No
	47			



OK or NG

OK >> GO TO 2.

NG >> Repair harness or connector.

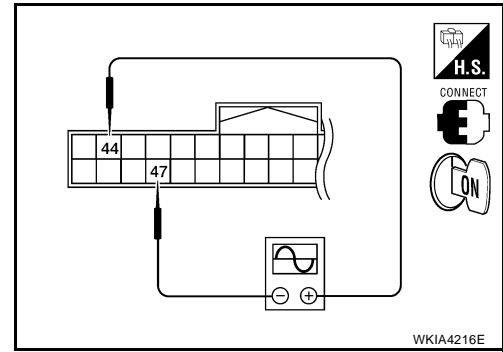
# NAVIGATION SYSTEM

## 2. CHECK RGB SIGNAL

1. Connect NAVI control unit connector and display control unit connector.
  2. Turn ignition switch ON.
  3. Display "Color bar" by "CONFIRMATION/ADJUSTMENT" mode.
  4. Check signal between NAVI control unit connector B152 terminal 44 and 47 with CONSULT-II or oscilloscope.
- **When the screen looks bluish.**  
Voltage signal between NAVI control unit connector B152 terminal 44 and 47.

44 - 47

: Refer to [AV-104, "Terminals and Reference Value for NAVI Control Unit"](#) .



OK or NG

- OK >> Replace display control unit. Refer to [AV-171, "DISPLAY CONTROL UNIT"](#) .
- NG >> Replace NAVI control unit. Refer to [AV-172, "NAVI CONTROL UNIT"](#) .

## Color of RGB Image is Not Proper (Only NAVI Screen Looks Reddish)

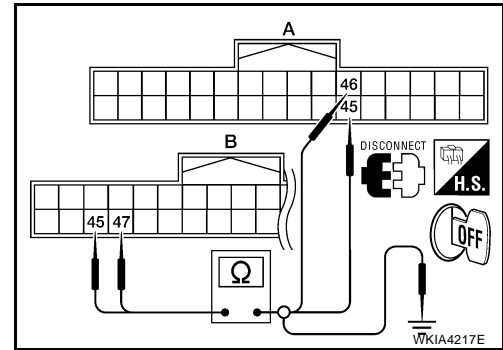
EKS00B5H

### 1. CHECK RGB HARNESS

1. Turn ignition switch OFF.
  2. Disconnect NAVI control unit connector B152 and display control unit connector M95.
  3. Check continuity between NAVI control unit and display control unit.
  4. Check continuity between NAVI control unit and ground.
- **When the screen looks reddish.**

Terminals				Continuity
B		A		
Connector	Terminal	Connector	Terminal	
NAVI control unit: B152	45	Display control unit: M95	46	Yes
	47		45	

Terminals				Continuity
B		—		
Connector	Terminal			
NAVI control unit: B152	45	Ground		No
	47			



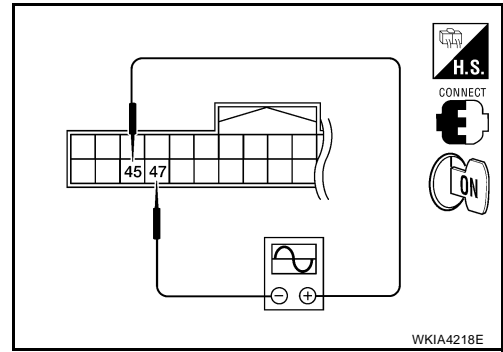
OK or NG

- OK >> GO TO 2.
- NG >> Repair harness or connector.

# NAVIGATION SYSTEM

## 2. CHECK RGB SIGNAL

1. Connect NAVI control unit connector and display control unit connector.
  2. Turn ignition switch ON.
  3. Display "Color bar" by "CONFIRMATION/ADJUSTMENT" mode.
  4. Check signal between NAVI control unit connector B152 terminal 45 and 47 with CONSULT-II or oscilloscope.
- **When the screen looks reddish.**  
Voltage signal between NAVI control unit connector B152 terminal 45 and 47.



45 - 47

: Refer to [AV-104, "Terminals and Reference Value for NAVI Control Unit"](#) .

OK or NG

- OK >> Replace display control unit. Refer to [AV-171, "DISPLAY CONTROL UNIT"](#) .  
 NG >> Replace NAVI control unit. Refer to [AV-172, "NAVI CONTROL UNIT"](#) .

## Color of RGB Image is Not Proper (Only NAVI Screen Looks Yellowish)

EKS00B5I

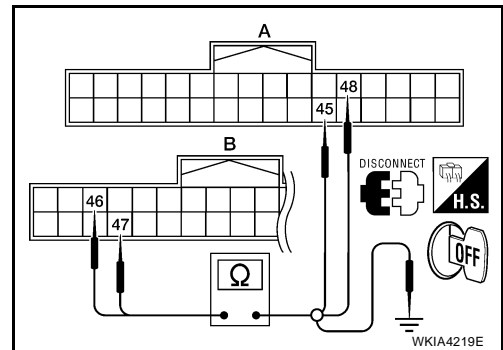
### 1. CHECK RGB HARNESS

1. Turn ignition switch OFF.
2. Disconnect NAVI control unit connector B152 and display control unit connector M95.
3. Check continuity between NAVI control unit and display control unit.
4. Check continuity between NAVI control unit and ground.

- **When the screen looks yellowish.**

Terminals				Continuity
B		A		
Connector	Terminal	Connector	Terminal	
NAVI control unit: B152	46	Display control unit: M95	48	Yes
	47		45	

Terminals				Continuity
B		—		
Connector	Terminal			
NAVI control unit: B152	46	Ground		No
	47			



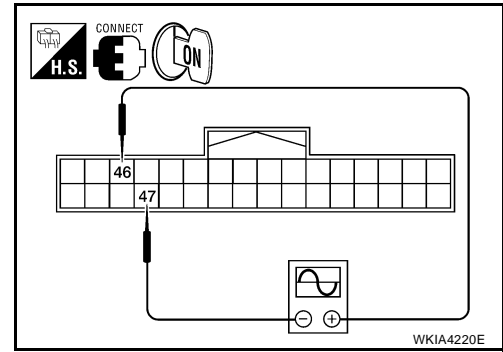
OK or NG

- OK >> GO TO 2.  
 NG >> Repair harness or connector.

# NAVIGATION SYSTEM

## 2. CHECK RGB SIGNAL

1. Connect NAVI control unit connector and display control unit connector.
  2. Turn ignition switch ON.
  3. Display "Color bar" by "CONFIRMATION/ADJUSTMENT" mode.
  4. Check signal between NAVI control unit connector B152 terminal 46 and 47 with CONSULT-II or oscilloscope.
- **When the screen looks yellowish.**  
Voltage signal between NAVI control unit connector B152 terminal 46 and 47.



46 - 47

: Refer to [AV-104, "Terminals and Reference Value for NAVI Control Unit"](#) .

OK or NG

- OK >> Replace display control unit. Refer to [AV-171, "DISPLAY CONTROL UNIT"](#) .
- NG >> Replace NAVI control unit. Refer to [AV-172, "NAVI CONTROL UNIT"](#) .

## Color of RGB Image is Not Proper (All Screens Look Bluish)

EKS00B5J

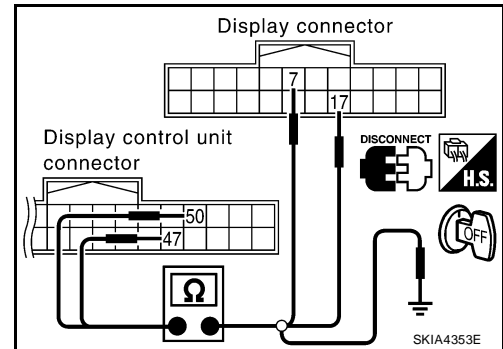
### 1. CHECK RGB HARNESS

1. Turn ignition switch OFF.
  2. Disconnect display control unit connector M95 and display unit connector M93.
  3. Check continuity between display control unit and display unit.
  4. Check continuity between display control unit and ground.
- **When the screen looks bluish.**

Terminals				Continuity
Display control unit		Display unit		
Connector	Terminal	Connector	Terminal	
M95	50	M93	17	Yes
	47		7	

Terminals				Continuity
Display control unit		—		
Connector	Terminal			
M95	50	Ground		No
	47	Ground		



OK or NG

- OK >> GO TO 2.
- NG >> Repair harness or connector.

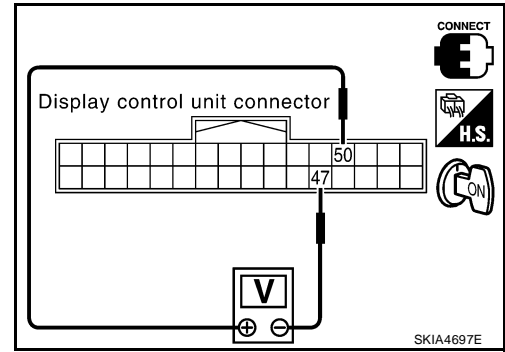
# NAVIGATION SYSTEM

## 2. CHECK RGB SIGNAL

1. Connect display control unit connector and display unit connector.
2. Turn ignition switch ON.
3. Display "Color bar" by "CONFIRMATION/ADJUSTMENT" mode.
4. Check the following with CONSULT-II or oscilloscope.
  - **When the screen looks bluish.**  
Voltage signal between display control unit connector M95 terminal 50 and 47.

50 - 47

: Refer to [AV-106, "Terminals and Reference Value for Display Control Unit"](#) .



OK or NG

- OK >> Replace display unit. Refer to [AV-171, "DISPLAY UNIT"](#) .  
 NG >> Replace display control unit. Refer to [AV-171, "DISPLAY CONTROL UNIT"](#) .

## Color of RGB Image is Not Proper (All Screens Look Reddish)

EKS00B5K

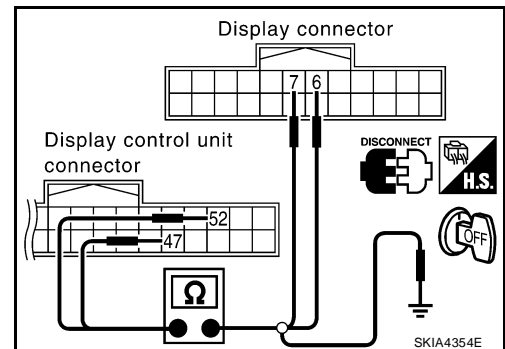
### 1. CHECK RGB HARNESS

1. Turn ignition switch OFF.
2. Disconnect display control unit connector M95 and display unit connector M93.
3. Check continuity between display control unit and display unit.
4. Check continuity between display control unit and ground.
- **When the screen looks reddish.**

Terminals				Continuity
Display control unit		Display unit		
Connector	Terminal	Connector	Terminal	
M95	52	M93	6	Yes
	47		7	

Terminals				Continuity
Display control unit		—		
Connector	Terminal			
M95	52	Ground		No
	47			



OK or NG

- OK >> GO TO 2.  
 NG >> Repair harness or connector.

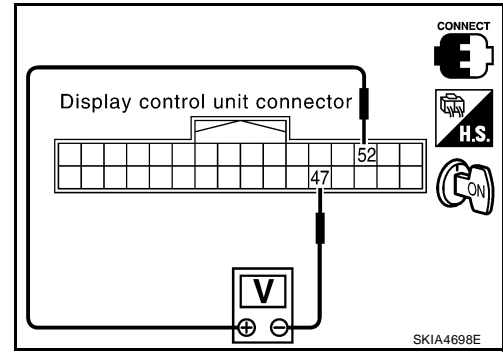
# NAVIGATION SYSTEM

## 2. CHECK RGB SIGNAL

1. Connect display control unit connector and display unit connector.
2. Turn ignition switch ON.
3. Display "Color bar" by "CONFIRMATION/ADJUSTMENT" mode.
4. Check the following with CONSULT-II or oscilloscope.
  - **When the screen looks reddish.**  
Voltage signal between display control unit connector M95 terminal 52 and 47.

52 - 47

: Refer to [AV-106, "Terminals and Reference Value for Display Control Unit"](#) .



OK or NG

- OK >> Replace display unit. Refer to [AV-171, "DISPLAY UNIT"](#) .  
 NG >> Replace display control unit. Refer to [AV-171, "DISPLAY CONTROL UNIT"](#) .

## Color of RGB Image is Not Proper (All Screens Look Yellowish)

EKS00B5L

### 1. CHECK RGB HARNESS

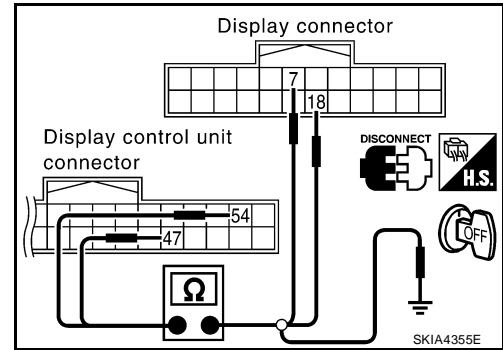
1. Turn ignition switch OFF.
2. Disconnect display control unit connector M95 and display unit connector M93.
3. Check continuity between display control unit and display unit.
4. Check continuity between display control unit and ground.

- **When the screen looks yellowish.**

Terminals				Continuity
Display control unit		Display unit		
Connector	Terminal	Connector	Terminal	
M95	54	M93	18	Yes
	47		7	

Terminals				Continuity
Display control unit		—		
Connector	Terminal			
M95	54	Ground		No
	47			



OK or NG

- OK >> GO TO 2.  
 NG >> Repair harness or connector.



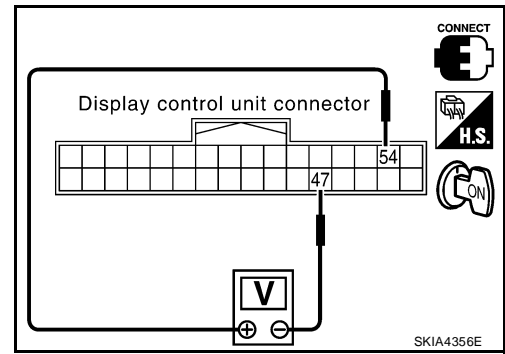
# NAVIGATION SYSTEM

## 2. CHECK RGB SIGNAL

1. Connect display control unit connector and display unit connector.
2. Turn ignition switch ON.
3. Display "Color bar" by "CONFIRMATION/ADJUSTMENT" mode.
4. Check the following with CONSULT-II or oscilloscope.
  - **When the screen looks yellowish.**  
Voltage signal between display control unit connector M95 terminal 54 and 47.

54 - 47

: Refer to [AV-106, "Terminals and Reference Value for Display Control Unit"](#) .



### OK or NG

- OK >> Replace display unit. Refer to [AV-171, "DISPLAY UNIT"](#) .
- NG >> Replace display control unit. Refer to [AV-171, "DISPLAY CONTROL UNIT"](#) .

A  
B  
C  
D  
E  
F  
G  
H  
I  
J  
AV  
L  
M

# NAVIGATION SYSTEM

EKS00B5M

## NAVI Screen is Rolling

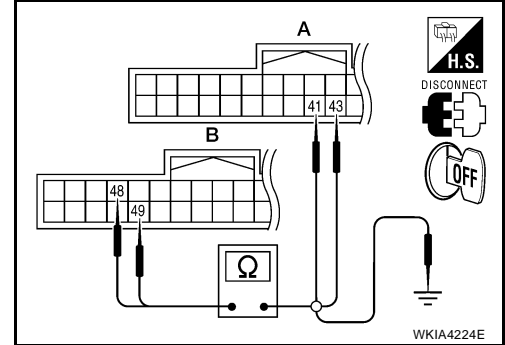
### 1. CHECK HARNESS

1. Turn ignition switch OFF.
2. Disconnect NAVI control unit connector B152 and display control unit connector M95.
3. Check continuity between NAVI control unit and display control unit.

Terminals				Continuity
B		A		
Connector	Terminal	Connector	Terminal	
NAVI control unit: B152	48	Display control unit: M95	43	Yes
	49		41	

4. Check continuity between NAVI control unit and ground.

Terminals				Continuity
B		—		
Connector	Terminal			
NAVI control unit: B152	48	Ground		No
	49			



#### OK or NG

- OK >> GO TO 2.  
 NG >> Repair harness.

### 2. CHECK RGB SYNCHRONIZING SIGNAL

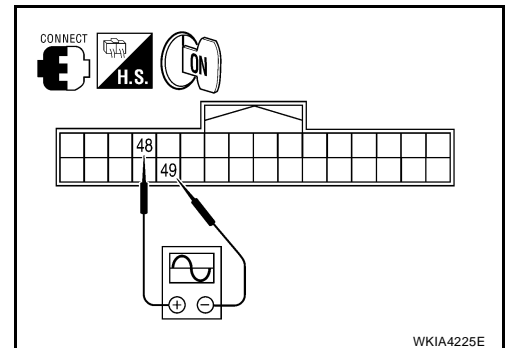
1. Connect NAVI control unit connector and display control unit connector.
2. Turn ignition switch ON.
3. Check signal between NAVI control unit connector M95 terminals 48 and 49 with CONSULT-II or oscilloscope.

**48 - 49**

**: Refer to [AV-104, "Terminals and Reference Value for NAVI Control Unit"](#) .**

#### OK or NG

- OK >> GO TO 3.  
 NG >> Replace NAVI control unit. Refer to [AV-172, "NAVI CONTROL UNIT"](#) .



# NAVIGATION SYSTEM

## 3. CHECK HARNESS

1. Turn ignition switch OFF.
2. Disconnect display control unit connector M95 and display unit connector M93.
3. Check continuity between display control unit and display unit.

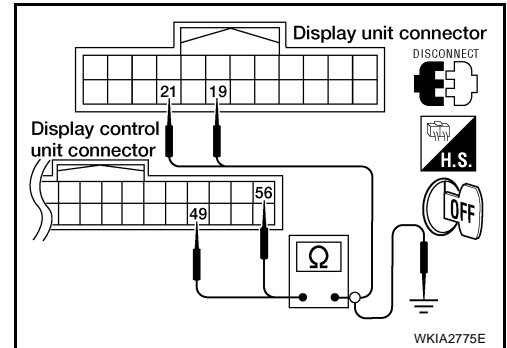
Terminals				Continuity
Display control unit		Display unit		
Connector	Terminal	Connector	Terminal	
M95	56	M93	19	Yes
	49		21	

4. Check continuity between display control unit and ground.

Terminals				Continuity
Display control unit		—		
Connector	Terminal			
M95	56	Ground		No
	49			

OK or NG

- OK >> GO TO 4.  
 NG >> Repair harness.



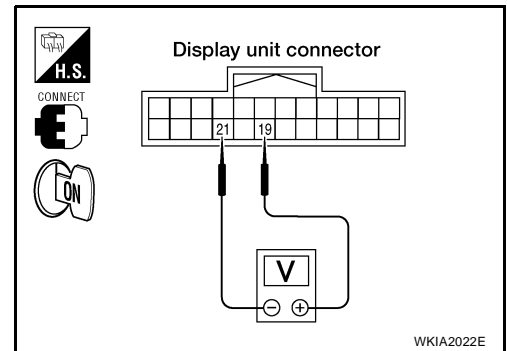
## 4. CHECK RGB SYNCHRONIZING SIGNAL

1. Connect display control unit connector and display unit connector.
2. Turn ignition switch ON.
3. Check signal between display unit connector M93 terminals 19 and 21 with CONSULT-II or oscilloscope.

**19 - 21** : Refer to [AV-106, "Terminals and Reference Value for Display Control Unit"](#) .

OK or NG

- OK >> Replace display unit. Refer to [AV-171, "DISPLAY UNIT"](#)  
 NG >> Replace display control unit. Refer to [AV-171, "DISPLAY CONTROL UNIT"](#) .



# NAVIGATION SYSTEM

EKS00B5N

## Guide Sound is Not Heard

### 1. CHECK VOICE GUIDE SETTING

While driving in the dark pink route, voice guide does not operate. (note)

#### NOTE:

Voice guide is only available at intersections that satisfy certain conditions (indicated by ● on the map). Therefore, guidance may not be given even when the route on the map changes direction.

Is volume setting switched OFF?

- YES >> Switch the setting ON and turn the volume up.
- NO >> GO TO 2.

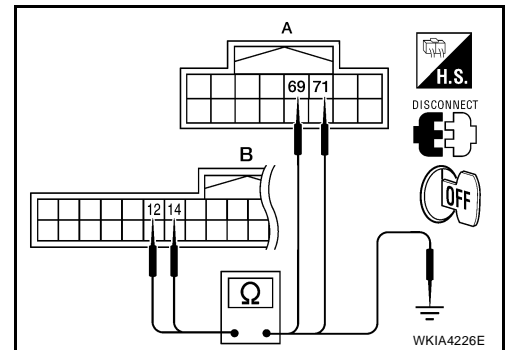
### 2. CHECK HARNESS

1. Turn ignition switch OFF.
2. Disconnect NAVI control unit connector B151 and audio unit connector M45.
3. Check continuity between NAVI control unit and audio unit.

Terminals				Continuity
B		A		
Connector	Terminal	Connector	Terminal	
NAVI control unit: B151	12	Audio unit: M45	71	Yes
	14		69	

4. Check continuity between NAVI control unit and ground.

Terminals				Continuity
B		—		
Connector	Terminal (Wire color)			
NAVI control unit: B151	12	Ground		No
	14			



Ok or NG

- OK >> GO TO 3.
- NG >> Repair harness.

### 3. CHECK VOICE GUIDE

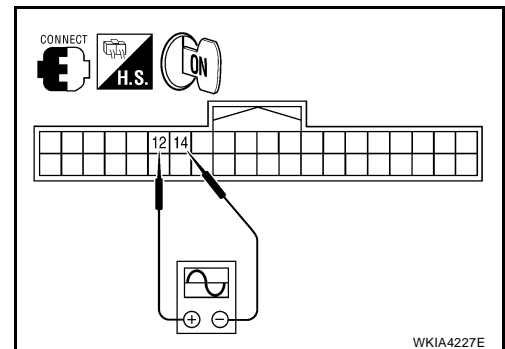
1. Connect NAVI control unit connector and audio unit connector.
2. Turn ignition switch ON.
3. Check signal between NAVI control unit harness connector B151 terminal 12 and 14 with CONSULT-II or oscilloscope.

12 - 14

: Refer to [AV-104, "Terminals and Reference Value for NAVI Control Unit"](#).

OK or NG

- OK >> Replace audio unit. Refer to [AV-70, "Removal and Installation"](#).
- NG >> Replace NAVI control unit. Refer to [AV-172, "NAVI CONTROL UNIT"](#).



# NAVIGATION SYSTEM

## Screen is Not Shown

EKS00B50

### 1. POWER SUPPLY AND GROUND CIRCUIT CHECK

Check power supply and ground circuit for display unit. Refer to [AV-132, "Power Supply and Ground Circuit Check for Display Unit"](#) .

OK or NG

OK >> Replace display unit. Refer to [AV-171, "DISPLAY UNIT"](#) .

NG >> Check the malfunctioning parts.

## A/C Screen is Not Shown (NAVI Screen is Shown)

EKS00B5P

### 1. CHECK IGNITION SIGNAL

Check ignition signal. Refer to [AV-138, "Ignition Signal Check for Display Control Unit"](#) .

OK or NG

OK >> GO TO 2.

NG >> Check the malfunctioning parts.

### 2. CHECK CAN COMMUNICATION LINE

Check CAN communication line. Refer to [AV-144, "CAN Communication Line Check"](#) .

OK or NG

OK >> Replace display control unit. Refer to [AV-171, "DISPLAY CONTROL UNIT"](#) .

NG >> After filling out CAN DIAG SUPPORT MONITOR check sheet, GO TO [LAN-25, "CAN COMMUNICATION"](#) .

## FUEL ECONOMY Screen is Not Shown

EKS00B5Q

### 1. CHECK IGNITION SIGNAL

Check ignition signal. Refer to [AV-137, "Illumination Signal Check for Display Control Unit"](#) .

OK or NG

OK >> GO TO 2.

NG >> Check the malfunctioning parts.

### 2. CHECK CAN COMMUNICATION LINE

Check CAN communication line. Refer to [AV-144, "CAN Communication Line Check"](#) .

OK or NG

OK >> Replace display control unit. Refer to [AV-171, "DISPLAY CONTROL UNIT"](#) .

NG >> After filling out CAN DIAG SUPPORT MONITOR check sheet, GO TO [LAN-25, "CAN COMMUNICATION"](#) .

## Average Fuel Economy Displayed is Not Shown (" \*\*\* " is Shown)

EKS00B5R

### 1. CHECK VEHICLE SPEED SIGNAL

Check vehicle speed signal. Refer to [AV-136, "Vehicle Speed Signal Check for Display Control Unit"](#) .

OK or NG

OK >> GO TO 2.

NG >> Check the malfunctioning parts.

### 2. CHECK CAN COMMUNICATION LINE

Check CAN communication line. Refer to [AV-144, "CAN Communication Line Check"](#) .

OK or NG

OK >> Replace display control unit. Refer to [AV-171, "DISPLAY CONTROL UNIT"](#) .

NG >> After filling out CAN DIAG SUPPORT MONITOR check sheet, GO TO [LAN-25, "CAN COMMUNICATION"](#) .

A

B

C

D

E

F

G

H

I

J

AV

L

M

# NAVIGATION SYSTEM

---

## Distance to Empty Displayed is Not Shown (“ \*\*\* ” is Shown)

EKS00B5S

### 1. CHECK SPEEDOMETER

---

Confirm that speedometer is functioning.

Is speedometer functioning?

YES >> GO TO 2.

NO >> Refer to [DI-19, "Vehicle Speed Signal Inspection"](#) .

### 2. CHECK FUEL GAUGE

---

Confirm that fuel gauge is functioning.

Is fuel gauge functioning?

YES >> GO TO 3.

NO >> Refer to [DI-22, "Fuel Level Sensor Unit Inspection"](#) .

### 3. CHECK CAN COMMUNICATION LINE

---

Check CAN communication line. Refer to [AV-144, "CAN Communication Line Check"](#) .

OK or NG

OK >> Replace display control unit. Refer to [AV-171, "DISPLAY CONTROL UNIT"](#) .

NG >> After filling out CAN DIAG SUPPORT MONITOR check sheet, GO TO [LAN-25, "CAN COMMUNICATION"](#) .

## Driving Distance or Average Speed Displayed is Not Shown (“ \*\*\* ” is Shown)

EKS00B5T

### 1. CHECK IGNITION SIGNAL

---

Check ignition signal. Refer to [AV-138, "Ignition Signal Check for Display Control Unit"](#) .

OK or NG

OK >> GO TO 2.

NG >> After filling out CAN DIAG SUPPORT MONITOR check sheet, GO TO [LAN-25, "CAN COMMUNICATION"](#) .

### 2. CHECK VEHICLE SPEED SIGNAL

---

Check vehicle speed signal. Refer to [AV-136, "Vehicle Speed Signal Check for Display Control Unit"](#) .

OK or NG

OK >> Replace display control unit. Refer to [AV-171, "DISPLAY CONTROL UNIT"](#) .

NG >> Check the malfunctioning parts.

## WARNING DOOR OPEN Screen is Not Shown

EKS00B5U

### 1. CHECK IGNITION SIGNAL

---

Check ignition signal. Refer to [AV-138, "Ignition Signal Check for Display Control Unit"](#) .

OK or NG

OK >> GO TO 2.

NG >> Check the malfunctioning parts.

### 2. CHECK VEHICLE SPEED SIGNAL

---

Check vehicle speed signal. Refer to [AV-136, "Vehicle Speed Signal Check for Display Control Unit"](#) .

OK or NG

OK >> GO TO 3.

NG >> Check the malfunctioning parts.

# NAVIGATION SYSTEM

## 3. CHECK CAN COMMUNICATION LINE

Check CAN communication line. Refer to [AV-144, "CAN Communication Line Check"](#) .

OK or NG

OK >> Replace display control unit. Refer to [AV-171, "DISPLAY CONTROL UNIT"](#) .

NG >> After filling out CAN DIAG SUPPORT MONITOR check sheet, GO TO [LAN-25, "CAN COMMUNICATION"](#) .

## Unable to Operate All of AV Switches (Unable to Start Self-Diagnosis)

EKS00B5V

### 1. CHECK POWER SUPPLY AND GROUND CIRCUIT

Check power supply and ground circuit for AV switch. Refer to [AV-134, "Power Supply and Ground Circuit Check for AV Switch"](#) .

OK or NG

OK >> GO TO 2.

NG >> Check the malfunctioning parts.

### 2. AV SWITCH SELF-DIAGNOSIS

AV switch self-diagnosis. Refer to [AV-129, "AV Switch Self-Diagnosis Function"](#) .

OK or NG

OK >> GO TO 3.

NG >> Check the malfunctioning parts.

### 3. CHECK POWER SUPPLY AND GROUND CIRCUIT

Check power supply and ground circuit for display control unit. Refer to [AV-131, "Power Supply and Ground Circuit Check for Display Control Unit"](#) .

OK or NG

OK >> GO TO 4.

NG >> Check the malfunctioning parts.

### 4. CHECK COMMUNICATION LINE

Check communication line. Refer to [AV-143, "AV Communication Line Check \(Between Display Control Unit and AV Switch\)"](#) .

OK or NG

OK >> Replace AV switch. Refer to [AV-171, "Removal and Installation"](#) .

NG >> Replace display control unit. Refer to [AV-171, "DISPLAY CONTROL UNIT"](#) .

## Audio Does Not Work

EKS00B5W

Refer to [AV-44, "Trouble Diagnosis"](#) .

## Navigation System Does Not Activate

EKS00B5X

### 1. POWER SUPPLY AND GROUND CIRCUIT CHECK

Check power supply and ground circuit for NAVI control unit. Refer to [AV-130, "Power Supply and Ground Circuit Check for NAVI Control Unit"](#) .

OK or NG

OK >> Replace NAVI control unit. Refer to [AV-172, "NAVI CONTROL UNIT"](#) .

NG >> Check the malfunctioning parts.

# NAVIGATION SYSTEM

---

## Previous NAVI Conditions are Not Stored

EKS00B5Y

### 1. CHECK BATTERY POWER

---

Check NAVI control unit battery power.

Refer to [AV-130, "Power Supply and Ground Circuit Check for NAVI Control Unit"](#) .

OK or NG

OK >> Replace NAVI control unit. Refer to [AV-172, "NAVI CONTROL UNIT"](#) .

NG >> Check NAVI control unit battery power system harness.

## Previous Vehicle Conditions are Not Stored

EKS00B5Z

### 1. CHECK BATTERY POWER

---

Check display control unit battery power.

Refer to [AV-131, "Power Supply and Ground Circuit Check for Display Control Unit"](#) .

OK or NG

OK >> Replace display control unit. Refer to [AV-171, "DISPLAY CONTROL UNIT"](#) .

NG >> Check display control unit battery power system harness.

## Position of Current Location Mark is Not Correct

EKS00B60

### 1. SELF-DIAGNOSIS

---

Perform "Self-diagnosis mode" of the self-diagnosis function. Refer to [AV-118, "Self-Diagnosis Mode \(NAVI\)"](#) .

OK or NG

OK >> GO TO 2.

NG >> Check the malfunctioning parts.

### 2. ERROR HISTORY DIAGNOSIS

---

Was any error stored in [AV-124, "ERROR HISTORY"](#) of the "CONFIRMATION/ADJUSTMENT" mode?

YES or NO

YES >> [AV-124, "DIAGNOSIS BY ERROR HISTORY"](#).

NO >> [AV-161, "Driving Test"](#).

## Radio Wave From GPS Satellite is Not Received

EKS00B61

### 1. CHECK ENVIRONMENT

---

Check if any metal object that intercepts radio waves or an object that emits radio waves (such as a portable phone) is located near the GPS antenna. Check if the vehicle is shielded by a building.

OK or NG

OK >> System is not malfunctioning. The GPS antenna may not be able to receive radio waves from the GPS satellite if it is shielded by metal object or an object emitting radio waves is placed near it.

NG >> GO TO 2.

### 2. SELF-DIAGNOSIS

---

Perform "Self-diagnosis mode" of the self-diagnosis function. Refer to [AV-118, "Self-Diagnosis Mode \(NAVI\)"](#) .

OK or NG

OK >> Replace GPS antenna. Refer to [AV-171, "GPS ANTENNA"](#) .

NG >> Check the malfunctioning parts.



## Driving Test

### 1. DRIVING TEST 1

1. Scroll the map screen to display the area to make correction. Press "ENTER" and select "CURRENT LOCATION CORRECTION".
2. Correct direction of the vehicle mark.
3. Perform the distance correction of the "CONFIRMATION/ADJUSTMENT" mode.  
Note: Normally, adjustment is not necessary because this system has automatic distance correction function. However, when a tire chain is fitted, adjustment in accordance with the tire diameter ratio must be made.
4. Are symptoms malfunctioning to the [AV-162, "Example of Symptoms Judged Not Malfunction"](#) after driving the vehicle?

YES or NO

- YES >> Limit of the location detection capacity of the navigation system.  
NO >> GO TO 2.

### 2. DRIVING TEST 2

- Did any malfunction occur when the proper test in the following test patterns is performed?
- Test pattern  
Driving test finds the difference between the symptoms monitored with and without each sensor.
  - Test pattern 1: Test method with no GPS location correction  
Disconnect GPS antenna connector connected to the NAVI control unit. Accurately adjust the current location and the direction, then drive the vehicle.
  - Test pattern 2: Test method with no map-matching  
Accurately adjust the current location and the direction. Eject the map DVD-ROM from the NAVI control unit with ignition switch turned to OFF, then drive the vehicle. After driving, insert the map DVD-ROM back in the unit, display the track of the vehicle on the map screen and compare it with the actual road configuration.
- Sample tests
  - <To determine if the current-location mark skips at the same position, if so, whether it is caused by map-matching or by GPS>  
Perform test pattern 1.
  - <To determine if the pattern of streets displayed is correct or not>  
Perform test pattern 1 & 2.  
Compare the track of the vehicle on the map screen and the actual road configuration. For fairly accurate tracking, plotting shall be made every several hundred meters (feet).
  - <When the distance is adjusted accurately>  
Perform test pattern 1 & 2.  
Drive on a road of which distance is accurately known (by utilizing distance posts on a highway). Calculate the rate of change (increased/decreased) of the distance by comparing with the actual distance.  
Correction = A/B  
A: Distance shown on the screen  
B: Actual distance

YES or NO

- YES >> ● If adjustment is insufficient, perform adjustment again.  
● If any error is found in the map, please contact map data supplier. Refer to Navigation System Owner's Manual for contact information.  
● Replace NAVI control unit. Refer to [AV-172, "NAVI CONTROL UNIT"](#).
- NO >> Limit of the location detection capacity of the navigation system.

# NAVIGATION SYSTEM

## Example of Symptoms Judged Not Malfunction BASIC OPERATION

EKS00B63

Symptom	Cause	Remedy
No image is shown.	Display brightness adjustment is set fully to DARK side.	Adjust the display brightness.
No guide sound is heard. Audio guide volume is too low or too high.	Volume control is set to OFF, MIN or MAX.	Adjust the audio guide volume.
	Audio guidance is not available while the vehicle is driving on a dark pink route.	System is not malfunctioning.
Screen is too dark. Motion of the image is too slow.	Temperature inside the vehicle is low.	Wait until the temperature inside the vehicle reaches the proper temperature.
Small black or bright spots appear on the screen.	Symptom peculiar to a liquid crystal display (display unit).	System is not malfunction.

## VEHICLE MARK

Symptom	Cause	Remedy
Map screen and BIRDVIEW™ Name of the place varies with the screen.	Some thinning of the character data is done to prevent the display becoming too complex. In some cases and in some locations, the display contents may differ. The same place name, street name, etc. may not be displayed every time on account of the data processing.	System is not malfunctioning.
Vehicle mark is not positioned correctly.	Vehicle is transferred by ferry or by towing after its ignition switch is turned to OFF.	Drive the vehicle for a while in the GPS satellite signal receiving condition.
Screen will not switch to nighttime mode after the lighting switch is turned ON.	The daytime screen is selected by the "SWITCH SCREENS" when the last time the screen dimming setting is done. Switching between daytime/nighttime screen may be inhibited by the automatic illumination adjustment function.	Perform screen dimming and select the nighttime screen by "SWITCH SCREENS".
Map screen will not scroll in accordance with the vehicle travel.	Current location is not displayed.	Press "MAP" button to display the current location.
Vehicle mark will not be shown.	Current location is not displayed.	Press "MAP" button to display the current location.
Accuracy indicator (GPS satellite mark) on the map screen stays gray.	GPS satellite signal is intercepted because the vehicle is in or behind a building.	Move the vehicle out to an open space.
	GPS satellite signal cannot be received because an obstacle is placed on top of the instrument panel.	Do not place anything in the center on top of the display.
	GPS satellites are not visible from current location.	Wait until GPS satellites are visible by moving the vehicle.
Vehicle location accuracy is low.	Accuracy indicator (GPS satellite mark) on the map screen stays gray.	Current location is not determined.
	Vehicle speed setting by the vehicle speed pulse has been deviated (advanced or retarded) from the actual vehicle speed because tire chain is fitted or the system has been used on another vehicle.	Drive the vehicle for a while [for approx. 30 minutes at approx. 30 km/h (19 MPH)] and the deviation will be automatically adjusted. If advancement or retard still occur, perform the distance adjustment by CONFIRMATION/ADJUSTMENT mode of diagnosis function.
	Map data has error or omission. (Vehicle mark is always deviated to the same position.)	As a rule, an updated map DVD-ROM will be released once a year.

# NAVIGATION SYSTEM

## DESTINATION, PASSING POINTS, AND MENU ITEMS CANNOT BE SELECTED/SET

Symptom	Cause	Remedy	A
Destination cannot be set.	Destination to be set is on an expressway.	Set the destination on an ordinary road.	A
Passing point is not searched when re-searching the route.	The vehicle has already passed the passing point, or the system judged so.	To include the passing points that have been passed into the route again, set the route again.	B
Route information will not be displayed.	Route searching has not been done.	Set the destination and perform route searching.	C
	Vehicle mark is not on the recommended route.	Drive on the recommended route.	D
	Route guide is turned OFF.	Turn route guide ON.	D
	Route information is not available on the dark green route.	System is not malfunctioning.	D
After the route searching, no guide sign will appear as the vehicle goes near the entrance/exit to the toll road.	Vehicle mark is not on the recommended route. (On the display, only guide signs related to the recommended route will be shown.)	Drive on the recommended route.	E
Automatic route searching is not possible.	Vehicle is driving on a highway (gray route), or no recommended route is available.	Drive on a road to be searched. Or re-search the route manually. In this case, however, the whole route will be searched.	F
Performed automatic detour search (or detour search). However, the result is the same as that of the previous search.	Performed search with every condition considered. However, the result is the same as that of the previous search.	System is not malfunctioning.	G
Passing points cannot be set.	More than five passing points were set.	Passing points can be set up to five. To stop at more than five points, perform sharing in several steps.	H
When setting the route, the starting point cannot be selected.	The current vehicle location is always set as the starting point of a route.	System is not malfunctioning.	I
Some menu items cannot be selected.	The vehicle is being driven.	Stop the vehicle at a safe place and then operate the system.	J

## VOICE GUIDE

Symptom	Cause	Remedy	AV
Voice guide will not operate.	Note: Voice guide is only available at intersections that satisfy certain conditions (indicated by ● on the map). Therefore, guidance may not be given even when the route on the map changes direction.	System is not malfunctioning.	L
	The vehicle is not on the recommended route.	Return to the recommended route or re-search the route.	M
	Voice guide is turned OFF.	Turn voice guide ON.	
	Route guide is turned OFF.	Turn route guide ON.	
Voice guide does not match the actual road pattern.	Voice guide may vary with the direction to which the vehicle is turned and the connection of the road to other roads.	Drive in conformity to the actual traffic rules.	

# NAVIGATION SYSTEM

## ROUTE SEARCH

Symptom	Cause	Remedy
No route is shown.	No road to be searched is found around the destination.	Find wider road (orange road or wider) nearby and reset the destination and passing points onto it. Take care of the traveling direction when there are separate up and down roads.
	Starting point and the destination are too close.	Set the destination at more distant point.
	Conditional traffic regulation (day of the week/ time of the day) is set at the area around the current location or the destination.	Turn the time-regulating search conditions OFF. Turn "Avoid regulation time" in the search conditions OFF.
Indicated route is intermittent.	In some areas, highways (gray routes) are not used for the search <sup>(Note)</sup> Therefore, the route to the current location or the passing points may be intermittent.	System is not malfunctioning.
When the vehicle has passed the recommended route, it is deleted from the screen.	A recommended route is controlled by each section. When the vehicle has passed the passing point 1, then the map data from the starting point up to the passing point 1 will be deleted. (The data may remain undeleted in some areas.)	System is not malfunctioning.
Detouring route is recommended.	In some areas, highways (gray routes) are not used for the search. (Note). Therefore, detour route may be recommended.	Set the route closer to the basic route (gray route).
	A detour route may be shown when some traffic regulation (one-way traffic, etc.) is set at the area around the starting point or the destination.	Slightly move the starting point or the destination, or set the passing point on the route of your choice.
	In the area where highways (gray routes) are used for the search, left turn has priority around the current location and the destination (passing points). For this reason, the recommended route may be detouring.	System is not malfunctioning.
Landmarks on the map do not match the actual ones.	This can be happen due to omission or error in the map data.	As a rule, an updated map DVD-ROM will be released once a year. Wait until the latest map has become available.
Recommended route is far from the starting point, passing points, and destination.	Starting point, passing points, and destination of the route guide were set far from the desired points because route searching data around these area were not stored.	Reset the destination onto the road nearby. If this road is one of the highways (gray routes), an ordinary road nearby may be displayed as the recommended route.

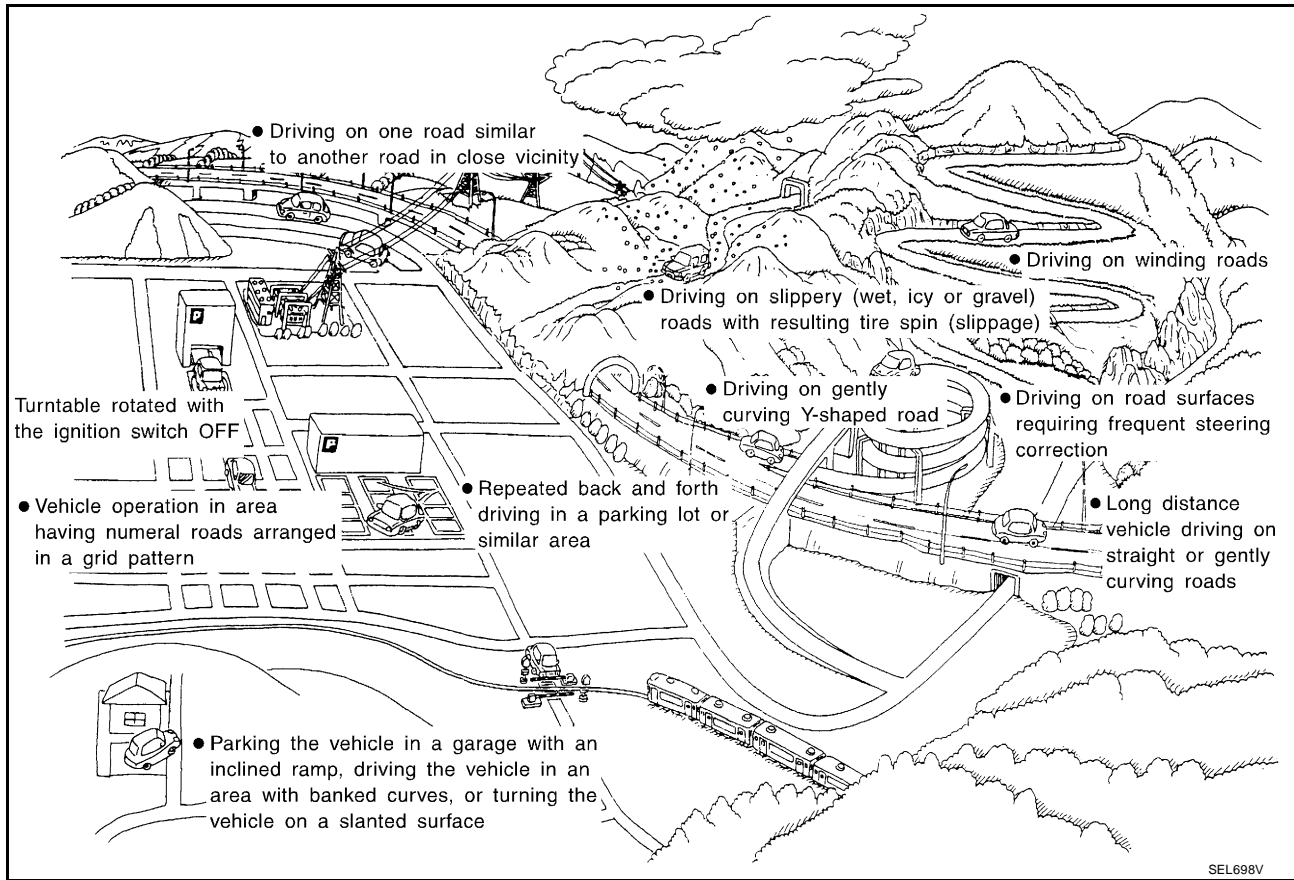
**NOTE:**

Except for the ordinance-designated cities. (Malfunctioning areas may be changed in the updated map disc.)

# NAVIGATION SYSTEM

## EXAMPLES OF CURRENT-LOCATION MARK DISPLACEMENT

Vehicle's travel amount is calculated by reading its travel distance and turning angle. Therefore, if the vehicle is driven in the following manner, an error will occur in the vehicle's current location display. If correct location has not been restored after driving the vehicle for a while, perform location correction.

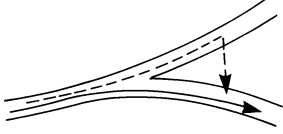
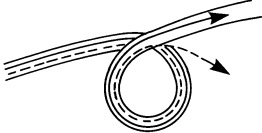
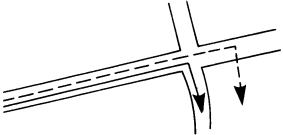
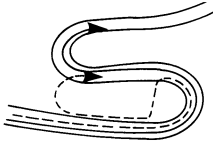
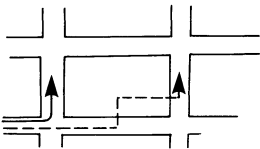
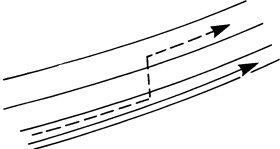


A  
B  
C  
D  
E  
F  
G  
H  
I  
J

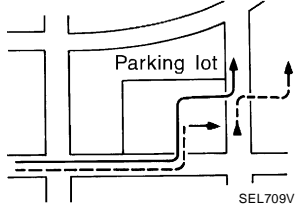
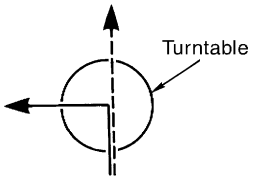
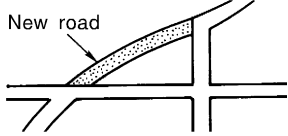
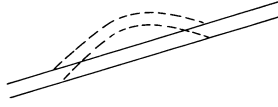
AV

L  
M

# NAVIGATION SYSTEM

	Cause (condition) –: While driving    ooo: Display	Driving condition	Remarks (correction, etc.)
Road configuration	<p>Y-intersections</p>  <p style="text-align: center; font-size: small;">ELK0192D</p>	<p>At a Y intersection or similar gradual division of roads, an error in the direction of travel deduced by the sensor may result in the current-location mark appearing on the wrong road.</p>	<p>If after travelling about 10 km (6 miles) the correct location has not been restored, perform location correction and, if necessary, direction correction.</p>
	<p>Spiral roads</p>  <p style="text-align: center; font-size: small;">ELK0193D</p>	<p>When driving on a large, continuous spiral road (such as loop bridge), turning angle error is accumulated and the vehicle mark may deviate from the correct location.</p>	
	<p>Straight roads</p>  <p style="text-align: center; font-size: small;">ELK0194D</p>	<p>When driving on a long, straight road and slow curve without stopping, map-matching does not work effectively enough and distance errors may accumulate. As a result, the vehicle mark may deviate from the correct location when the vehicle is turned at a corner.</p>	
	<p>Zigzag roads</p>  <p style="text-align: center; font-size: small;">ELK0195D</p>	<p>When driving on a zigzag road, the map may be matched to other roads in the similar direction nearby at every turn, and the vehicle mark may deviate from the correct location.</p>	
	<p>Roads laid out in a grid pattern</p>  <p style="text-align: center; font-size: small;">ELK0196D</p>	<p>When driving where roads are laid out in a grid pattern, or where many roads are running in the similar direction nearby, the map may be matched to them by mistake and the vehicle mark may deviate from the correct location.</p>	
	<p>Parallel roads</p>  <p style="text-align: center; font-size: small;">ELK0197D</p>	<p>When two roads are running in parallel (such as highway and sideway), the map may be matched to the other road by mistake and the vehicle mark may deviate from the correct location.</p>	

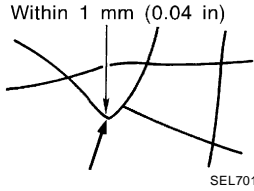
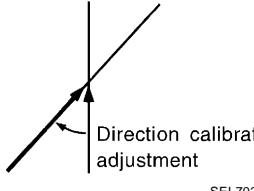
# NAVIGATION SYSTEM

Cause (condition)    -: While driving    ooo: Display		Driving condition	Remarks (correction, etc.)
Place	In a parking lot  <small>SEL709V</small>	When driving in a parking lot, or other location where there are no roads on the map, matching may place the vehicle mark on a nearby road. When the vehicle returns to the road, the vehicle mark may have deviated from the correct location. When driving in circle or turning the steering wheel repeatedly, direction errors accumulate, and the vehicle mark may deviate from the correct location.	If after travelling about 10 km (6 miles) the correct location has not been restored, perform location correction and, if necessary, direction correction.
	Turntable  <small>SEL710V</small>	When the ignition switch is OFF, the navigation system cannot get the signal from the gyroscope (angular speed sensor). Therefore, the displayed direction may be wrong and the correct road may not be easily returned to after rotating the vehicle on a turntable with the ignition OFF.	
	Slippery roads	On snow, wet roads, gravel, or other roads where tires may slip easily, accumulated mileage errors may cause the vehicle mark to deviate from the correct road.	
	Slopes	When parking in sloped garages, when travelling on banked roads, or in other cases where the vehicle turns when tilted, an error in the turning angle will occur, and the vehicle mark may deviate from the road.	
Map data	Road not displayed on the map screen  <small>SEL699V</small>	When driving on new roads or other roads not displayed on the map screen, map matching does not function correctly and matches the location to a nearby road. When the vehicle returns to a road which is on the map, the vehicle mark may deviate from the correct road.	
	Different road pattern (Changed due to repair)  <small>ELK0201D</small>	If the road pattern stored in the map data and the actual road pattern are different, map matching does not function correctly and matches the location to a nearby road. The vehicle mark may deviate from the correct road.	
Vehicle	Use of tire chains	When tire chains are used, the mileage is not correctly detected, and the vehicle mark may deviate from the correct road.	Drive the vehicle for a while. If the distance still deviates, adjust it by using the distance adjustment function. (If the tire chain is removed, recover the original value.)

A  
B  
C  
D  
E  
F  
G  
H  
I  
J  
L  
M

AV

# NAVIGATION SYSTEM

Cause (condition)    -: While driving    ooo: Display		Driving condition	Remarks (correction, etc.)
Precautions for driving	Just after the engine is started	If the vehicle is driven just after the engine is started when the gyroscope (angular speed sensor) correction is not completed, the vehicle can lose its direction and may have deviated from the correct location.	Wait for a short while before driving after starting the engine.
	Continuous driving without stopping	When driving long distances without stopping, direction errors may accumulate, and the current-location mark may deviate from the correct road.	Stop and adjust the orientation.
	Abusive driving	Spinning the wheels or engaging in other kinds of abusive driving may result in the system being unable perform correct detection, and may cause the vehicle mark to deviate from the correct road.	If after travelling about 10 km (6 miles) the correct location has not been restored, perform location correction and, if necessary, direction correction.
How to correct location	Position correction accuracy  <div style="text-align: center;">  </div>	If the accuracy of location settings is poor, accuracy may be reduced when the correct road cannot be found, particularly in places where there are many roads.	Enter in the road displayed on the screen with an accuracy of approx. 1mm. Caution: Whenever possible, use detailed map for the correction.
	Direction when location is corrected  <div style="text-align: center;">  </div>	If the accuracy of location settings during correction is poor, accuracy may be reduced afterwards.	Perform direction correction.

## CURRENT-LOCATION MARK SHOWS A POSITION WHICH IS COMPLETELY WRONG

In the following cases, the current-location mark may appear on completely different position in the map depending on the GPS satellite signal receiving conditions. In this case, perform location correction and direction correction.

- When location correction has not been done
  - If the receiving conditions of the GPS satellite signal is poor, or if the current-location mark becomes out of place, it may move to a completely different location and not come back if location correction is not done. The position will be corrected if the GPS signal can be received.
- When the vehicle has traveled by ferry, or when the vehicle has been towed
  - Because calculation of the current location cannot be done when travelling with the ignition OFF, for example when traveling by ferry or when being towed, the location before travel is displayed. If the precise location can be detected with GPS, the location will be corrected.

## CURRENT-LOCATION MARK JUMPS

In the following cases, the current-location mark may appear to jump as a result of automatic correction of the current location.

- When map-matching has been done
  - If the current location and the current-location mark are different when map-matching is done, the current-location mark may seem to jump. At this time, the location may be “corrected” to the wrong road or to a location which is not on a road.
- When GPS location correction has been done
  - If the current location and the current-location mark are different when the location is corrected using GPS measurements, the current-location mark may seem to jump. At this time, the location may be “corrected” to a location which is not on a road.



# NAVIGATION SYSTEM

---

## CURRENT-LOCATION MARK IS IN A RIVER OR SEA

The navigation system moves the current-location mark with no distinction between land and rivers or sea. If the location mark is somehow out of place, it may appear that the vehicle is driving in a river or the sea.

## WHEN DRIVING ON SAME ROAD, SOMETIMES CURRENT-LOCATION MARK IS IN RIGHT PLACE AND SOMETIMES IT IS WRONG PLACE

The conditions of the GPS antenna (GPS data) and gyroscope (angular speed sensor) change gradually. Depending on the road traveled and the operation of the steering wheel, the location detection results will be different. Therefore, even on a road on which the location has never been wrong, conditions may cause the vehicle mark to deviate.

## LOCATION CORRECTION BY MAP-MATCHING IS SLOW

- The map-matching function needs to refer to the data of the surrounding area. It is necessary to drive some distance for the function to work.
- Because map-matching operates on this principle, when there are many roads running in similar directions in the surrounding area, no matching determination may be made. The location may not be corrected until some special feature is found.

## ALTHOUGH GPS RECEIVING DISPLAY IS GREEN, VEHICLE MARK DOES NOT RETURN TO CORRECT LOCATION

- The GPS accuracy has an error of approximately 10 m (30 ft). In some cases the current-location mark may not be on the correct street, even when GPS location-correction is done.
- The navigation system compares the results of GPS location detection with the results from map-matching location detection. The one which is determined to have higher accuracy is used.
- GPS location correction may not be performed when the vehicle is stopped.

## NAME OF CURRENT PLACE IS NOT DISPLAYED

The current place name may not be displayed if there are no place names displayed on the map screen.

## CONTENTS OF DISPLAY DIFFER FOR BIRDVIEW™ AND THE (FLAT) MAP SCREEN

Difference of the BIRDVIEW™ screen from the flat map screen are as follows.

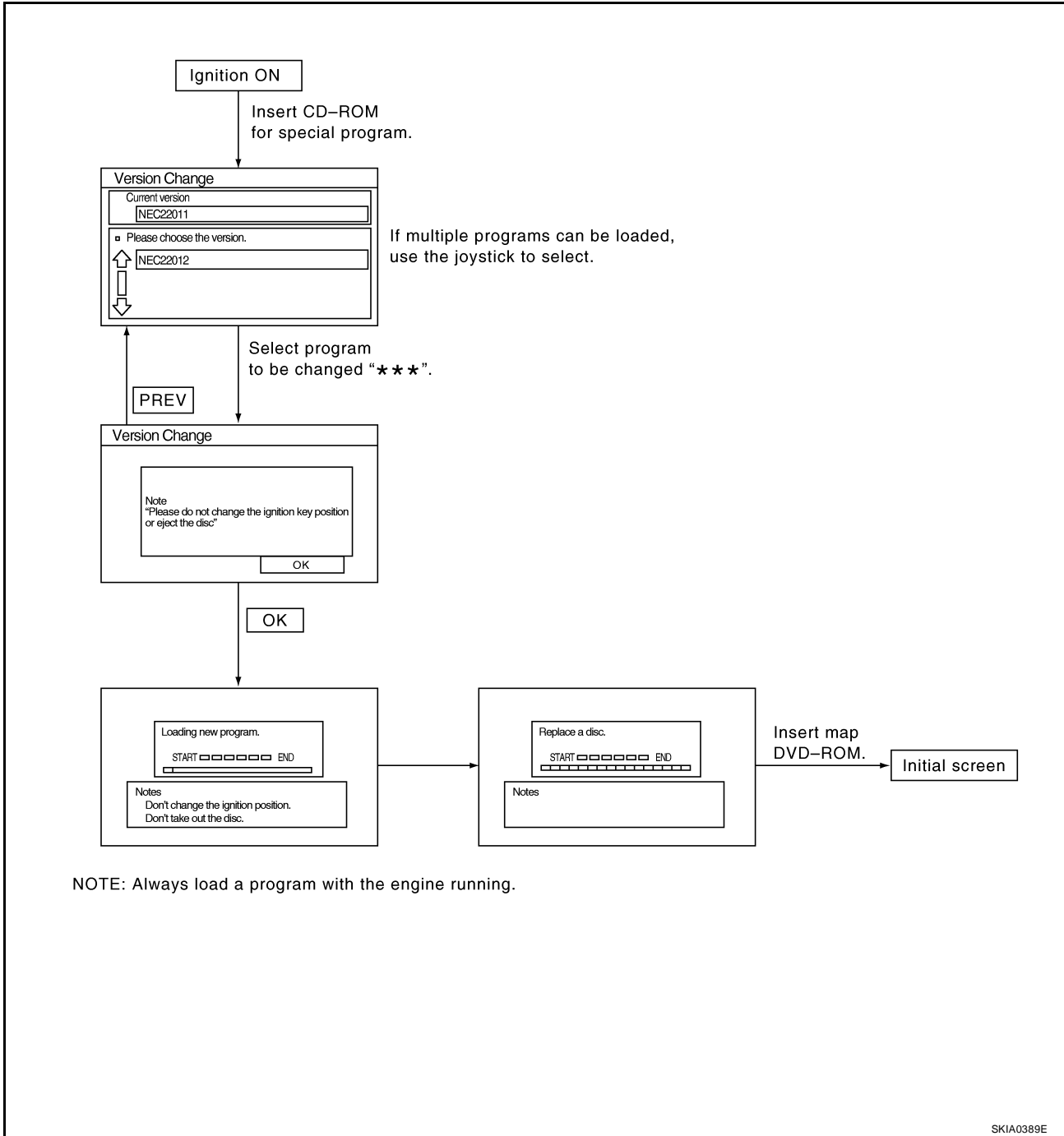
- The current place name displays names which are primarily in the direction of vehicle travel.
- The amount of time before the vehicle travel or turn angle is updated on the screen is longer than for the (flat) map display.
- The conditions for display of place names, roads, and other data are different for nearby areas and for more distant areas.
- Some thinning of the character data is done to prevent the display becoming too complex. In some cases and in some locations, the display contents may differ.
- The same place name, street name, etc. may be displayed multiple times.

A  
B  
C  
D  
E  
F  
G  
H  
I  
J  
AV  
L  
M

# NAVIGATION SYSTEM

## Program Loading of NAVI Control Unit

EKS00B64



# NAVIGATION SYSTEM

EKS00B68

## Removal and Installation

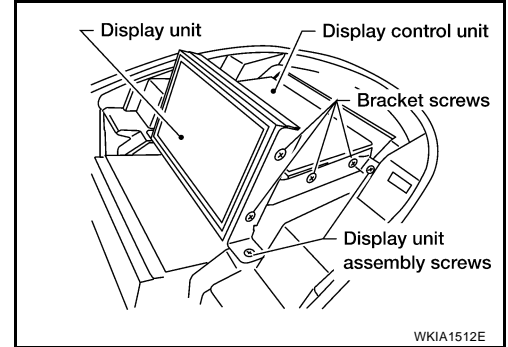
### AV SWITCH

Refer to [AV-70, "AV SWITCH"](#) .

### DISPLAY CONTROL UNIT

#### Removal

1. Remove display unit. Refer to [AV-171, "DISPLAY UNIT"](#) .
2. Remove display control unit.



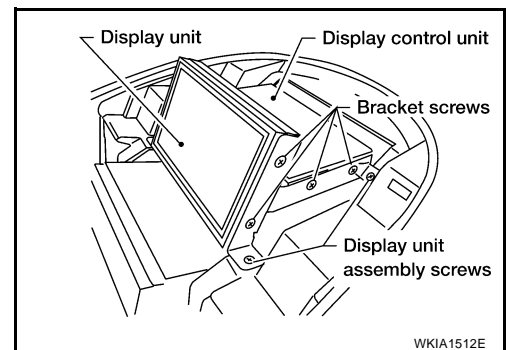
#### Installation

Installation is in reverse order of removal.

### DISPLAY UNIT

#### Removal

1. Remove control device. Refer to [AT-226, "Control Device Removal and Installation"](#) .
2. Remove center console. Refer to [IP-16, "Center Console"](#) .
3. Remove cluster lid D. Refer to [IP-12, "CLUSTER LID D"](#) .
4. Disconnect center speaker connector.
5. Disconnect display unit connectors.



6. Remove display unit.
7. Remove display unit brackets.

#### Installation

Installation is in reverse order of removal.

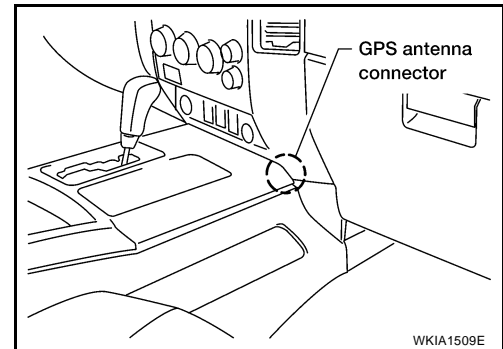
### GPS ANTENNA

#### Removal

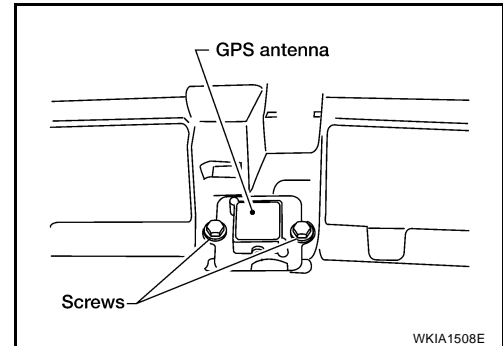
1. Remove control device. Refer to [AT-226, "Control Device Removal and Installation"](#) .
2. Remove center console. Refer to [IP-16, "Center Console"](#) .
3. Remove cluster lid D. Refer to [IP-12, "CLUSTER LID D"](#) .
4. Disconnect center speaker.
5. Remove defroster grille. Refer to [IP-10, "INSTRUMENT PANEL ASSEMBLY"](#) .

# NAVIGATION SYSTEM

6. Disconnect GPS antenna connector.



7. Remove GPS antenna.



## Installation

Installation is in the reverse order of removal.

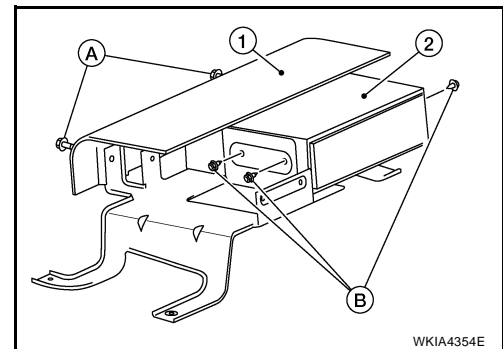
## NAVI CONTROL UNIT

### Removal

#### CAUTION:

To avoid damage, eject map DVD-ROM before removing the NAVI control unit.

1. Disconnect negative battery cable.
2. Slide front passenger seat fully forward.
3. Remove NAVI control unit kick shield screws (A).
4. Remove NAVI control unit kick shield (1).
5. Disconnect NAVI control unit connectors.
6. Remove NAVI control unit screws (B).



7. Remove NAVI control unit (2).

## Installation

Installation is in the reverse order of removal.

## STEERING WHEEL SWITCH

Refer to [AV-74, "STEERING WHEEL AUDIO CONTROL SWITCHES"](#).