

SECTION **EX**  
EXHAUST SYSTEM

A  
EX  
C

CONTENTS

<b>PREPARATION</b> .....	2	Checking Exhaust System .....	3	F
Special Service Tool .....	2	Removal and Installation .....	3	
Commercial Service Tools .....	2	REMOVAL .....	4	
<b>EXHAUST SYSTEM</b> .....	3	INSTALLATION .....	4	G
		INSPECTION AFTER INSTALLATION .....	4	

D  
E  
H  
I  
J  
K  
L  
M

# PREPARATION

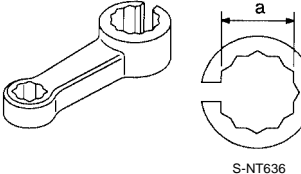
## PREPARATION

PFP:00002

### Special Service Tool

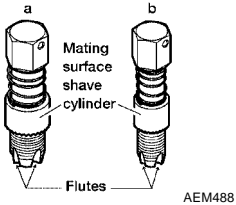

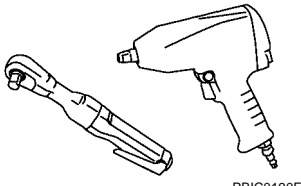
EBS00VE1

The actual shapes of Kent-Moore tools may differ from those of special service tools illustrated here.

Tool number (Kent-Moore No.) Tool name	Description
KV10114400 (J-38365) Heated oxygen sensor wrench <div style="text-align: center;">  <p style="text-align: center;">S-NT636</p> </div>	Loosening or tightening heated oxygen sensors: <b>a: 22 mm (0.87 in)</b>

### Commercial Service Tools

EBS00VE2

(Kent-Moore No.) Tool name	Description
(J-43897-18) (J-43897-12) Oxygen sensor thread cleaner <div style="text-align: center;">  <p style="text-align: center;">AEM488</p> </div>	Reconditioning the exhaust system threads before installing a new heated oxygen sensor (Use with anti-seize lubricant shown below): <b>a: J-43897-18 (18 mm, 0.71 in) dia.</b> <b>b: J-43897-12 (12 mm, 0.47 in) dia.</b>
Anti-seize lubricant (Permatex 133AR or equivalent meeting MIL specification MIL-A-907) <div style="text-align: center;">  <p style="text-align: center;">AEM489</p> </div>	Lubricating oxygen sensor thread cleaning tool when reconditioning exhaust system threads
Power tool <div style="text-align: center;">  <p style="text-align: center;">PBIC0190E</p> </div>	Loosening nuts and bolts

# EXHAUST SYSTEM

PFP:20100

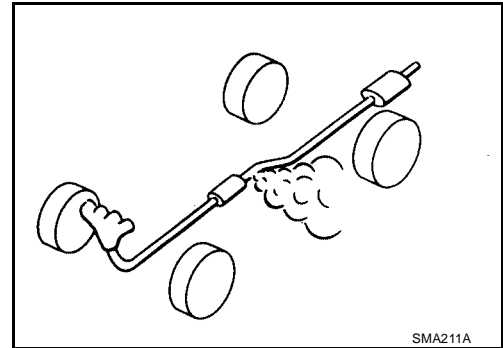
## EXHAUST SYSTEM

### Checking Exhaust System

EBS00VE3

Check exhaust pipes, muffler and mounting for improper attachment, leaks, cracks, damage or deterioration.

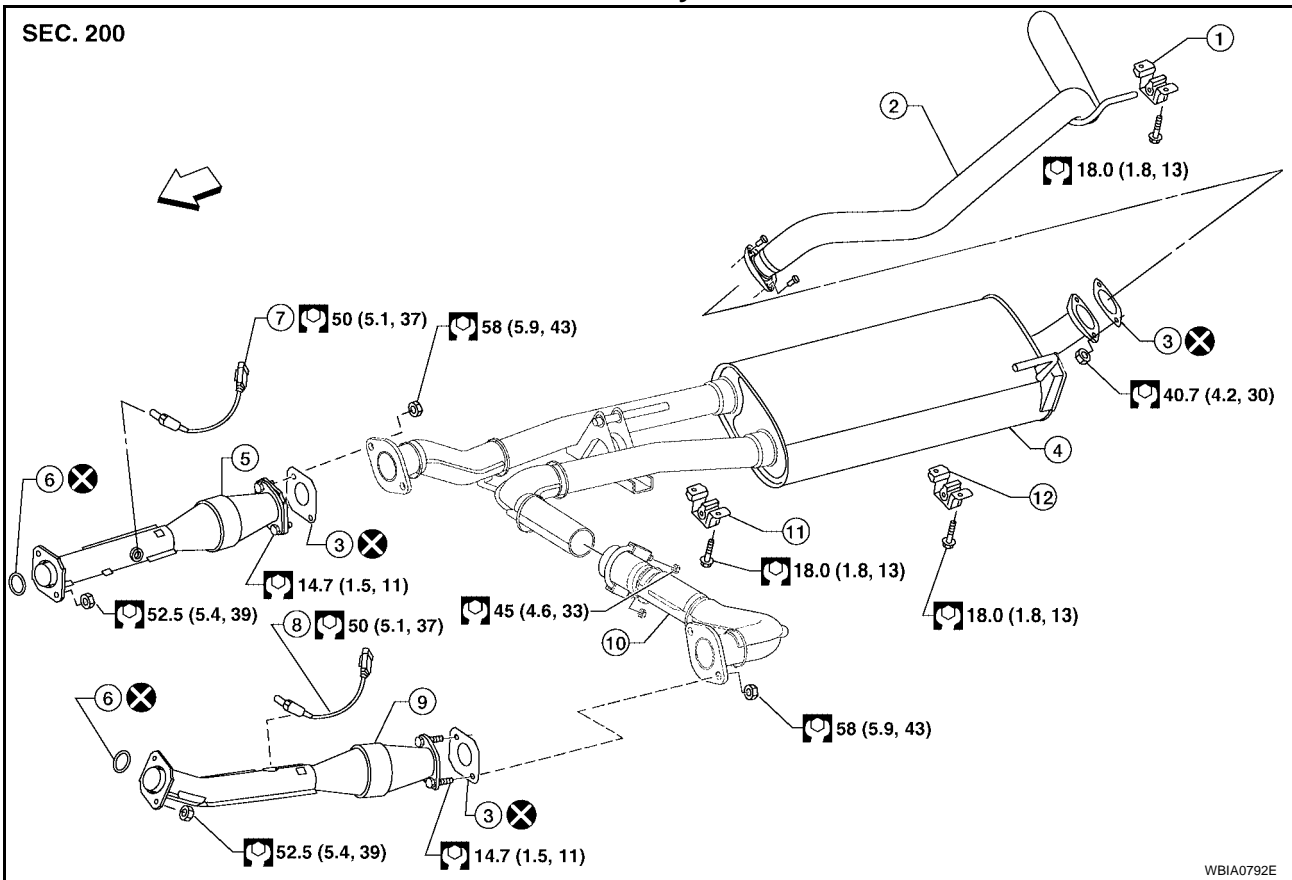
- If anything is found, repair or replace damaged parts.



### Removal and Installation

EBS00VE4

#### Exhaust System



#### CAUTION:

- Be sure to use genuine exhaust system parts or equivalents which are specially designed for heat resistance, corrosion resistance, and shape.
- Perform the operation with the exhaust system fully cooled. The system will be hot just after the engine stops.
- Be careful not to cut your hand on the heat insulator edge.

# EXHAUST SYSTEM

---

## REMOVAL

Remove exhaust system components using power tool.

## INSTALLATION

Installation is in the reverse order of removal.

### CAUTION:

- Always replace exhaust gaskets with new ones when reassembling.
- Before installing a new heated oxygen sensor, clean and lube the exhaust tube threads using Tool.

#### Tool number

A : — (J-43897-18)

B : — (J-43897-12)

- Discard any heated oxygen sensor which has been dropped from a height of more than 0.5 m (19.7 in) onto a hard surface such as a concrete floor; replace with a new one.
- Do not over-torque the heated oxygen sensor. Doing so may damage the heated oxygen sensor, resulting in the MIL coming on.
- If any mounting insulator is badly deformed, repair or replace it. If deposits such as mud pile up on the mounting insulators, clean and inspect them.
- Temporarily tighten the nuts on the exhaust manifold side and the bolts on the vehicle side. Check each part for interference with other components, and then tighten the nuts and bolts to specification.

## INSPECTION AFTER INSTALLATION

- With the engine running, check exhaust tube joints for gas leakage and unusual noises.
- Check to ensure that mounting brackets and mounting rubbers are installed properly and free from undue stress. Improper installation could result in excessive noise and vibration.