

# GENERAL INFORMATION

GI

MA

EM

LC

EC

FE

CL

MT

AT

TF

PD

AX

SU

BR

ST

RS

BT

HA

SC

EL

IDX

# SECTION GI

## CONTENTS

<b>PRECAUTIONS</b> .....	3	HEAT SENSITIVE .....	25
Precautions .....	3	FREEZING .....	25
SUPPLEMENTAL RESTRAINT SYSTEM (SRS)		WATER INTRUSION .....	26
"Air Bag" AND "SEAT BELT PRE-TENSIONER" .....	3	ELECTRICAL LOAD.....	26
GENERAL PRECAUTIONS.....	4	COLD OR HOT START UP.....	26
PRECAUTIONS FOR MULTI-PORT FUEL		Circuit Inspection .....	26
INJECTION SYSTEM OR ENGINE CONTROL		INTRODUCTION.....	26
SYSTEM .....	5	TESTING FOR "OPENS" IN THE CIRCUIT .....	27
PRECAUTIONS FOR THREE-WAY CATALYST .....	6	TESTING FOR "SHORTS" IN THE CIRCUIT .....	28
PRECAUTIONS FOR HOSES.....	6	GROUND INSPECTION .....	29
PRECAUTIONS FOR ENGINE OILS .....	7	VOLTAGE DROP TESTS.....	30
PRECAUTIONS FOR FUEL.....	7	CONTROL UNIT CIRCUIT TEST .....	31
PRECAUTIONS FOR AIR CONDITIONING .....	8	<b>HOW TO FOLLOW TROUBLE DIAGNOSES</b> .....	33
<b>HOW TO USE THIS MANUAL</b> .....	9	How to Follow Test Groups in Trouble Diagnoses....	34
<b>HOW TO READ WIRING DIAGRAMS</b> .....	11	Harness Wire Color and Connector Number	
Sample/Wiring Diagram - EXAMPL - .....	11	Indication.....	35
OPTIONAL SPLICE.....	12	TYPE 1: HARNESS WIRE COLOR AND	
Description .....	13	CONNECTOR NUMBER ARE SHOWN IN	
CONNECTOR SYMBOLS .....	15	ILLUSTRATION .....	35
SWITCH POSITIONS .....	16	TYPE 2: HARNESS WIRE COLOR AND	
DETECTABLE LINES AND NON-DETECTABLE		CONNECTOR NUMBER ARE SHOWN IN TEXT.....	36
LINES .....	16	Key to Symbols Signifying Measurements or	
MULTIPLE SWITCH.....	17	Procedures.....	36
REFERENCE AREA .....	18	<b>CONSULT-II CHECKING SYSTEM</b> .....	38
<b>HOW TO CHECK TERMINAL</b> .....	20	Function and System Application .....	38
Connector and Terminal Pin Kit.....	20	Nickel Metal Hydride Battery Replacement.....	38
How to Probe Connectors .....	20	Checking Equipment.....	39
PROBING FROM HARNESS SIDE.....	20	Loading Procedure .....	39
PROBING FROM TERMINAL SIDE .....	20	CONSULT-II Data Link Connector (DLC) Circuit .....	39
How to Check Enlarged Contact Spring of		INSPECTION PROCEDURE .....	39
Terminal .....	21	<b>IDENTIFICATION INFORMATION</b> .....	40
Waterproof Connector Inspection .....	22	Model Variation .....	40
RUBBER SEAL INSPECTION.....	22	Identification Number.....	42
WIRE SEAL INSPECTION .....	22	VEHICLE IDENTIFICATION NUMBER	
Terminal Lock Inspection .....	22	ARRANGEMENT .....	42
<b>HOW TO PERFORM EFFICIENT DIAGNOSIS</b>		ENGINE SERIAL NUMBER.....	43
<b>FOR AN ELECTRICAL INCIDENT</b> .....	23	TRANSFER SERIAL NUMBER.....	43
Work Flow .....	23	MANUAL TRANSMISSION NUMBER.....	43
Incident Simulation Tests.....	24	AUTOMATIC TRANSMISSION NUMBER .....	44
INTRODUCTION.....	24	Dimensions .....	44
VEHICLE VIBRATION .....	24	Wheels & Tires .....	45

# CONTENTS (Cont'd)

<b>LIFTING POINTS AND TOW TRUCK TOWING</b> .....	46	TOWING POINT.....	49
Pantograph Jack.....	46	VEHICLE RECOVERY (FREEING A STUCK	
Garage Jack and Safety Stand .....	46	VEHICLE).....	49
2-pole Lift.....	47	<b>TIGHTENING TORQUE OF STANDARD BOLTS</b> .....	50
Tow Truck Towing .....	47	<b>SAE J1930 TERMINOLOGY LIST</b> .....	51
2-WHEEL DRIVE MODELS.....	48	SAE J1930 Terminology List .....	51
4-WHEEL DRIVE MODELS.....	48		

## Precautions

Observe the following precautions to ensure safe and proper servicing. NEGI0001



### SUPPLEMENTAL RESTRAINT SYSTEM (SRS) "AIR BAG" AND "SEAT BELT PRE-TENSIONER"

The Supplemental Restraint System such as "AIR BAG" and "SEAT BELT PRE-TENSIONER" used along with a seat belt, helps to reduce the risk or severity of injury to the driver and front passenger in a frontal collision. The Supplemental Restraint System consists of air bag modules (located in the center of the steering wheel and in the instrument panel on the passenger side), seat belt pretensioners, a diagnosis sensor unit, warning lamp, wiring harness and spiral cable. NEGI0001S01

The vehicle (except Crew Cab model) is equipped with a passenger air bag deactivation switch. Because no rear seat exists where a rear-facing child restraint can be placed, the switch is designed to turn off the passenger air bag so that a rear-facing child restraint can be used in the front passenger seat. The switch is located in the center of the instrument panel, near the ashtray. When the switch is turned to the ON position, the passenger air bag is enabled and could inflate in a frontal collision. When the switch is turned to the OFF position, the passenger air bag is disabled and will not inflate in a frontal collision. A passenger air bag OFF indicator on the instrument panel lights up when the passenger air bag is switched OFF. The driver air bag always remains enabled and is not affected by the passenger air bag deactivation switch.

Information necessary to service the system safely is included in the **RS section** of this Service Manual.

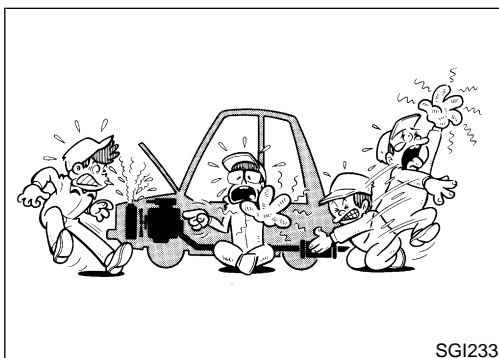
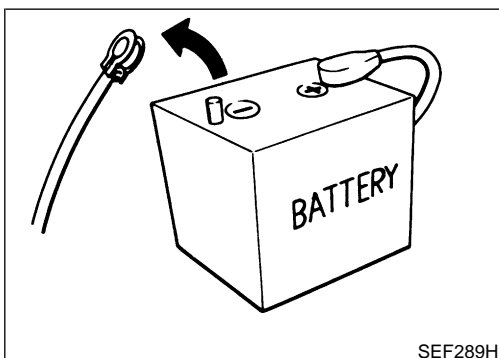
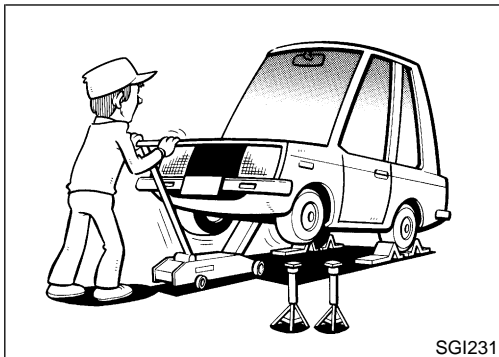
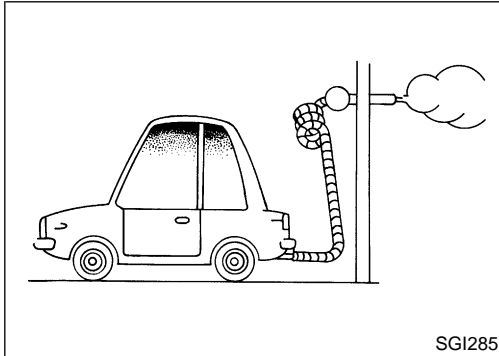
#### **WARNING:**

- To avoid rendering the SRS inoperative, which could increase the risk of personal injury or death in the event of a collision which would result in air bag inflation, all maintenance should be performed by an authorized NISSAN dealer.
- Improper maintenance, including incorrect removal and installation of the SRS, can lead to personal injury caused by unintentional activation of the system. For removal of Spiral Cable and Air Bag Module, see the RS section.
- Do not use electrical test equipment on any circuit related to the SRS unless instructed to in this Service Manual. Spiral cable and wiring harnesses (except "SEAT BELT PRE-TENSIONER") covered with yellow insulation either just before the harness connectors or for the complete harness are related to the SRS.
- The vehicle (except Crew Cab model) is equipped with a passenger air bag deactivation switch which can be operated by the customer. When the passenger air bag is switched OFF, the passenger air bag is disabled and will not inflate in a frontal collision. When the passenger air bag is switched ON, the passenger air bag is enabled and could inflate in a frontal collision. After SRS maintenance

# PRECAUTIONS

Precautions (Cont'd)

or repair, make sure the passenger air bag deactivation switch is in the same position (ON or OFF) as when the vehicle arrived for service.

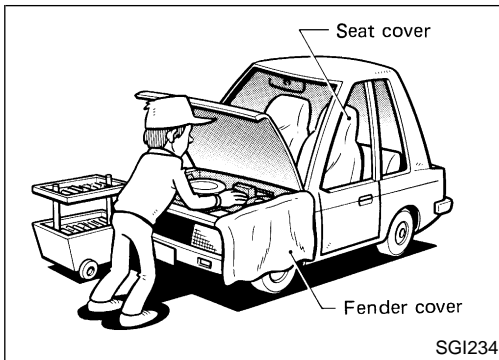


## GENERAL PRECAUTIONS

- Do not operate the engine for an extended period of time without proper exhaust ventilation. NEG10001S02  
Keep the work area well ventilated and free of any inflammable materials. Special care should be taken when handling any inflammable or poisonous materials, such as gasoline, refrigerant gas, etc. When working in a pit or other enclosed area, be sure to properly ventilate the area before working with hazardous materials.  
Do not smoke while working on the vehicle.
- Before jacking up the vehicle, apply wheel chocks or other tire blocks to the wheels to prevent the vehicle from moving. After jacking up the vehicle, support the vehicle weight with safety stands at the points designated for proper lifting before working on the vehicle.  
These operations should be done on a level surface.
- When removing a heavy component such as the engine or transaxle/transmission, be careful not to lose your balance and drop it. Also, do not allow it to strike adjacent parts, especially the brake tubes and master cylinder.
- Before starting repairs which do not require battery power:  
Turn off ignition switch.  
Disconnect the negative battery terminal.
- To prevent serious burns:  
Avoid contact with hot metal parts.  
Do not remove the radiator cap when the engine is hot.

# PRECAUTIONS

Precautions (Cont'd)



- Before servicing the vehicle:  
Protect fenders, upholstery and carpeting with appropriate covers.  
Take caution that keys, buckles or buttons do not scratch paint.

GI

MA

EM

LC

- Clean all disassembled parts in the designated liquid or solvent prior to inspection or assembly.
- Replace oil seals, gaskets, packings, O-rings, locking washers, cotter pins, self-locking nuts, etc. with new ones.
- Replace inner and outer races of tapered roller bearings and needle bearings as a set.
- Arrange the disassembled parts in accordance with their assembled locations and sequence.
- Do not touch the terminals of electrical components which use microcomputers (such as ECMs).  
Static electricity may damage internal electronic components.
- After disconnecting vacuum or air hoses, attach a tag to indicate the proper connection.
- Use only the fluids and lubricants specified in this manual.
- Use approved bonding agents, sealants or their equivalents when required.
- Use tools and recommended special tools where specified for safe and efficient service repairs.
- When repairing fuel, oil, water, vacuum or exhaust systems, check all affected lines for leaks.
- Dispose of drained oil or the solvent used for cleaning parts in an appropriate manner.
- Do not attempt to top off the fuel tank after the fuel pump nozzle shuts off automatically. Continued refueling may cause fuel overflow resulting in fuel spray and possibly a fire.

EC

FE

CL

MT

AT

TF

PD

AX

SU

## WARNING:

To prevent ECM from storing the diagnostic trouble codes, do not carelessly disconnect the harness connectors which are related to the engine control system and TCM (Transmission Control Module) system. The connectors should be disconnected only when working according to the WORK FLOW of TROUBLE DIAGNOSES in EC section and AT section.

BR

ST

RS



## PRECAUTIONS FOR MULTIPOINT FUEL INJECTION SYSTEM OR ENGINE CONTROL SYSTEM

NEG10001S03

- Before connecting or disconnecting any harness connector for the multipoint fuel injection system or ECM:  
Turn ignition switch to OFF position.  
Disconnect negative battery terminal.  
Otherwise, there may be damage to ECM.
- Before disconnecting pressurized fuel line from fuel pump to injectors, be sure to release fuel pressure.
- Be careful not to jar components such as ECM and mass air flow sensor.

BT

HA

SC

EL

IDX

# PRECAUTIONS

Precautions (Cont'd)

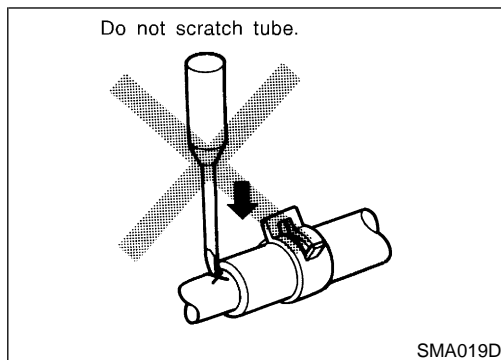
## PRECAUTIONS FOR THREE WAY CATALYST

NEG10001S04

If a large amount of unburned fuel flows into the catalyst, the catalyst temperature will be excessively high. To prevent this, follow the instructions below:

- Use unleaded gasoline only. Leaded gasoline will seriously damage the three way catalyst.
- When checking for ignition spark or measuring engine compression, make tests quickly and only when necessary.
- Do not run engine when the fuel tank level is low, otherwise the engine may misfire causing damage to the catalyst.

Do not place the vehicle on flammable material. Keep flammable material off the exhaust pipe and the three way catalyst.



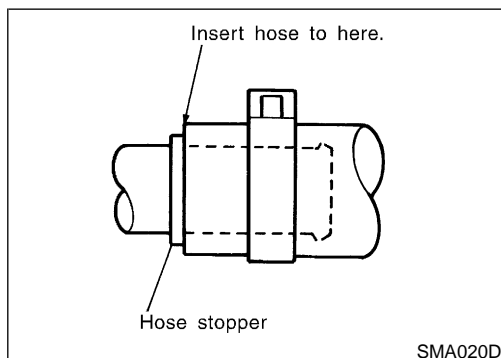
## PRECAUTIONS FOR HOSES

NEG10001S08

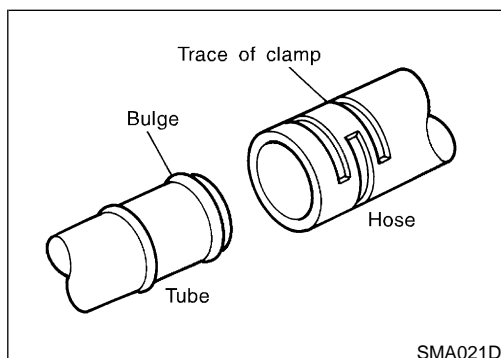
### Hose removal and installation

NEG10001S0801

- To prevent damage to rubber hose, do not pry off rubber hose with tapered tool or screwdriver.



- To reinstall the rubber hose securely, make sure of hose insertion length and clamp orientation. (If tube is equipped with hose stopper, insert rubber hose into tube until it butts up against hose stopper.)



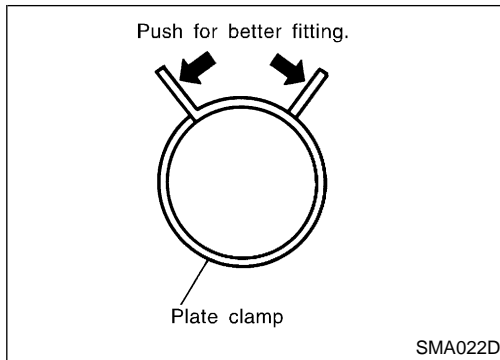
### Hose clamping

NEG10001S0802

- If old rubber hose is re-used, install hose clamp in its original position (at the indentation where the old clamp was). If there is a trace of tube bulging left on the old rubber hose, align rubber hose at that position.
- Discard old clamps; replace with new ones.

# PRECAUTIONS

Precautions (Cont'd)



- After installing leaf spring clamps, apply force to them in the direction of the arrow, tightening rubber hose equally all around.

## PRECAUTIONS FOR ENGINE OILS

NEGI0001S05

Prolonged and repeated contact with used engine oil may cause skin cancer. Try to avoid direct skin contact with used oil. If skin contact is made, wash thoroughly with soap or hand cleaner as soon as possible.

## Health Protection Precautions

NEGI0001S0501

- Avoid prolonged and repeated contact with oils, particularly used engine oils.
- Wear protective clothing, including impervious gloves where practicable.
- Do not put oily rags in pockets.
- Avoid contaminating clothes, particularly underpants, with oil.
- Heavily soiled clothing and oil-impregnated footwear should not be worn. Overalls must be cleaned regularly.
- First Aid treatment should be obtained immediately for open cuts and wounds.
- Use barrier creams, applying them before each work period, to help the removal of oil from the skin.
- Wash with soap and water to ensure all oil is removed (skin cleansers and nail brushes will help). Preparations containing lanolin replace the natural skin oils which have been removed.
- Do not use gasoline, kerosene, diesel fuel, gas oil, thinners or solvents for cleaning skin.
- If skin disorders develop, obtain medical advice without delay.
- Where practicable, degrease components prior to handling.
- Where there is a risk of eye contact, eye protection should be worn, for example, chemical goggles or face shields, in addition, an eye wash facility should be provided.

## Environmental Protection Precautions

NEGI0001S0502

Burning used engine oil in small space heaters or boilers can be recommended only for units of approved design. The heating system must meet the requirements of HM Inspectorate of Pollution for small burners of less than 0.4 MW. If in doubt check with the appropriate local authority and/or manufacturer of the approved appliance.

Dispose of used oil and used oil filters through authorized waste disposal contractors to licensed waste disposal sites, or to the waste oil reclamation trade. If in doubt, contact the local authority for advice on disposal facilities.

It is illegal to pour used oil onto the ground, down sewers or drains, or into water courses.

**The regulations concerning the pollution vary from country to country.**

## PRECAUTIONS FOR FUEL

NEGI0001S06

### KA24DE and VG33E Engines

NEGI0001S0601

Use unleaded gasoline with an octane rating of at least 87 AKI (Anti-Knock Index) number (research octane number 91) for the KA24DE and VG33E engines.

### VG33ER Engines

NEGI0001S0602

Use unleaded premium gasoline with an octane rating of at least 91 AKI (Anti-Knock Index) number (research octane number 96) for the VG33ER engine.

## PRECAUTIONS

Precautions (Cont'd)

---

If premium gasoline is not available, unleaded regular gasoline with an octane rating of 87 AKI number (research octane number 91) may be temporarily used, but only under the following precautions:

- Have the fuel tank filled only partially with unleaded regular gasoline, and fill up with unleaded premium gasoline as soon as possible.
- Avoid full throttle driving and abrupt acceleration.

**CAUTION:**

**Use unleaded fuel only. Under no circumstances should leaded gasoline be used. It will damage the three way catalyst and increase dangerous emissions from the vehicle exhaust. Using a fuel other than that specified could adversely affect the emission control devices and systems, and could also affect the warranty coverage validity.**

### PRECAUTIONS FOR AIR CONDITIONING

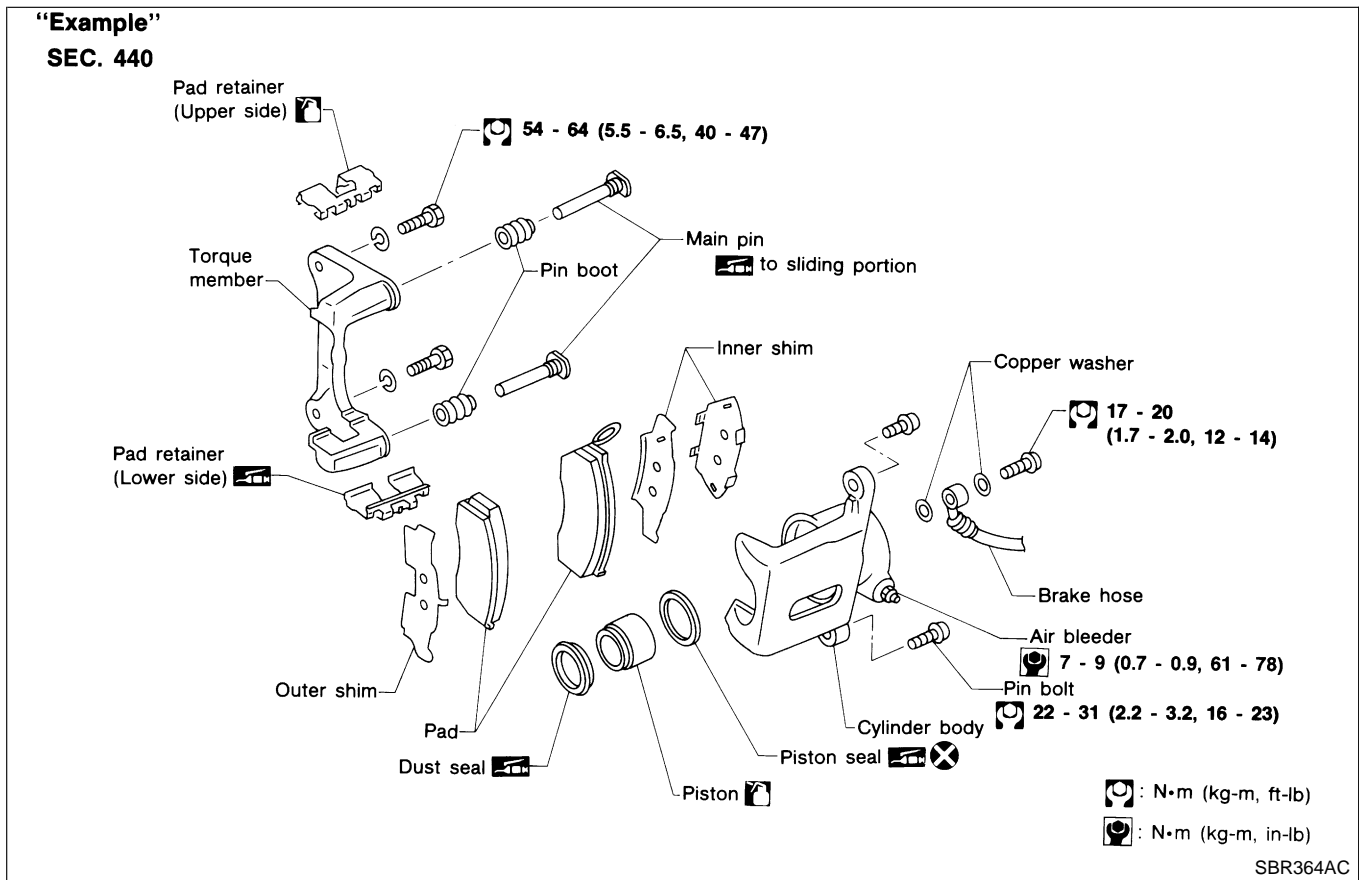
Use an approved refrigerant recovery unit any time the air conditioning system must be discharged. Refer to **HA-66**, "HFC-134a (R-134a) Service Procedure" for specific instructions.

NEG10001S07



# HOW TO USE THIS MANUAL

- The captions **WARNING** and **CAUTION** warn you of steps that must be followed to prevent personal injury and/or damage to some part of the vehicle.  
**WARNING** indicates the possibility of personal injury if instructions are not followed.  
**CAUTION** indicates the possibility of component damage if instructions are not followed.  
**BOLD TYPED STATEMENTS** except **WARNING** and **CAUTION** give you helpful information.
- **ALPHABETICAL INDEX** is provided at the end of this manual so that you can rapidly find the item and page you are searching for.
- **A QUICK REFERENCE INDEX**, a black tab (e.g. **BR**) is provided on the first page. You can quickly find the first page of each section by matching it to the section's black tab.
- **THE CONTENTS** are listed on the first page of each section.
- **THE TITLE** is indicated on the upper portion of each page and shows the part or system.
- **THE PAGE NUMBER** of each section consists of two letters which designate the particular section and a number (e.g. "BR-5").
- **THE LARGE ILLUSTRATIONS** are exploded views (See below) and contain tightening torques, lubrication points, section number of the **PARTS CATALOG** (e.g. SEC.440) and other information necessary to perform repairs.  
 The illustrations should be used in reference to service matters only. When ordering parts, refer to the appropriate **PARTS CATALOG**.



- **THE SMALL ILLUSTRATIONS** show the important steps such as inspection, use of special tools, knacks of work and hidden or tricky steps which are not shown in the previous large illustrations. Assembly, inspection and adjustment procedures for the complicated units such as the automatic transaxle or transmission, etc. are presented in a step-by-step format where necessary.
- The **UNITS** given in this manual are primarily expressed as the SI UNIT (International System of Unit), and alternatively expressed in the metric system and in the yard/pound system.

**"Example"**












**Tightening torque:**

**59 - 78 N·m (6.0 - 8.0 kg-m, 43 - 58 ft-lb)**

- **TROUBLE DIAGNOSES** are included in sections dealing with complicated components.

## HOW TO USE THIS MANUAL

- **SERVICE DATA AND SPECIFICATIONS** are contained at the end of each section for quick reference of data.
- The following **SYMBOLS AND ABBREVIATIONS** are used:

SYMBOL	ABBREVIATION	SYMBOL	ABBREVIATION
 	Tightening torque	A/C	Air Conditioner
	Should be lubricated with grease. Unless otherwise indicated, use recommended multi-purpose grease.	P/S	Power Steering
	Should be lubricated with oil.	Tool	Special Service Tools
	Sealing point	SAE	Society of Automotive Engineers, Inc.
	Checking point	ATF	Automatic Transmission Fluid
	Always replace after every disassembly.	D <sub>1</sub>	Drive range 1st gear
 	Apply petroleum jelly.	D <sub>2</sub>	Drive range 2nd gear
	Apply ATF.	D <sub>3</sub>	Drive range 3rd gear
SDS	Service Data and Specifications	D <sub>4</sub>	Drive range 4th gear
LH, RH	Left-hand, Right-hand	O/D	Overdrive
FR, RR	Front, Rear	2 <sub>2</sub>	2nd range 2nd gear
A/T	Automatic Transaxle/Transmission	2 <sub>1</sub>	2nd range 1st gear
 4WD	4-Wheel Drive	1 <sub>2</sub>	1st range 2nd gear
2WD	2-Wheel Drive	1 <sub>1</sub>	1st range 1st gear

# HOW TO READ WIRING DIAGRAMS

Sample/Wiring Diagram — EXAMPL —

## Sample/Wiring Diagram — EXAMPL —

NEG10003S01

- For Description, refer to GI-13.

GI-EXAMPL-02

18

GI

MA

EM

LC

EC

FE

CL

MT

AT

TF

PD

AX

SU

BR

ST

RS

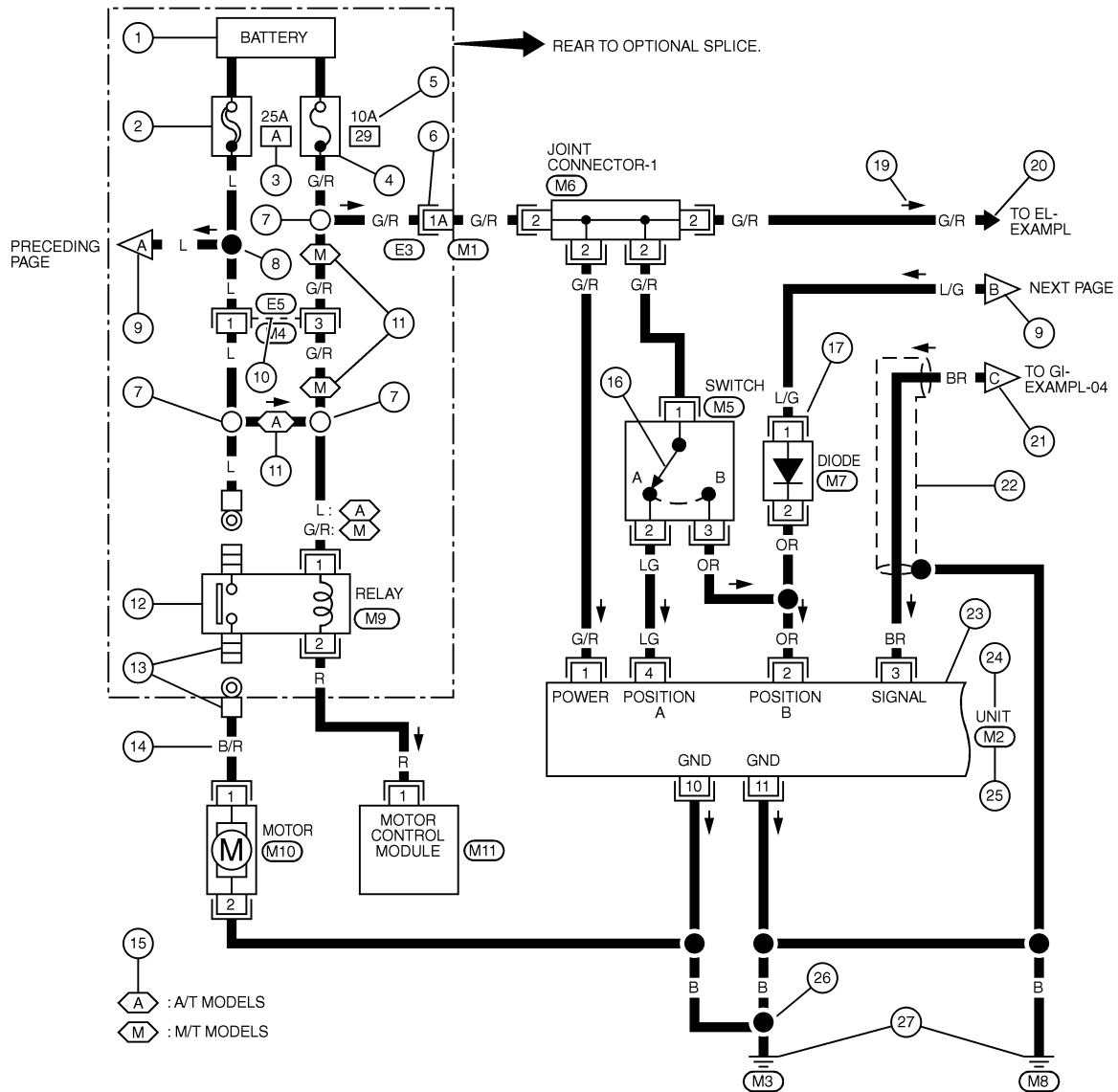
BT

HA

SC

EL

IDX



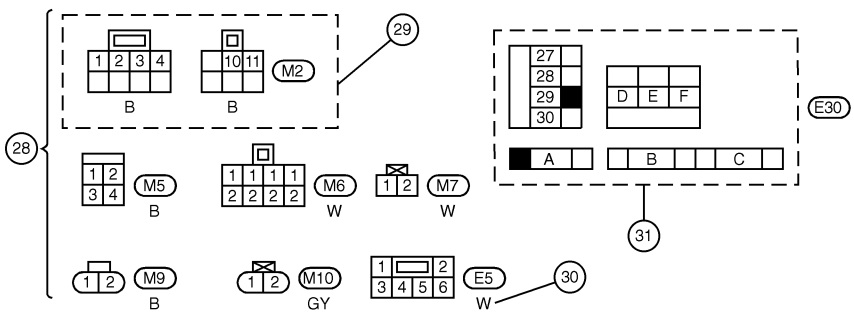
PRECEDING PAGE

REAR TO OPTIONAL SPLICE.

NEXT PAGE

TO GI-EXAMPL-04

- A : A/T MODELS
- M : M/T MODELS



REFER TO THE FOLLOWING.

- E3 - SUPER MULTIPLE JUNCTION (SMJ)
- M11 - ELECTRICAL UNITS

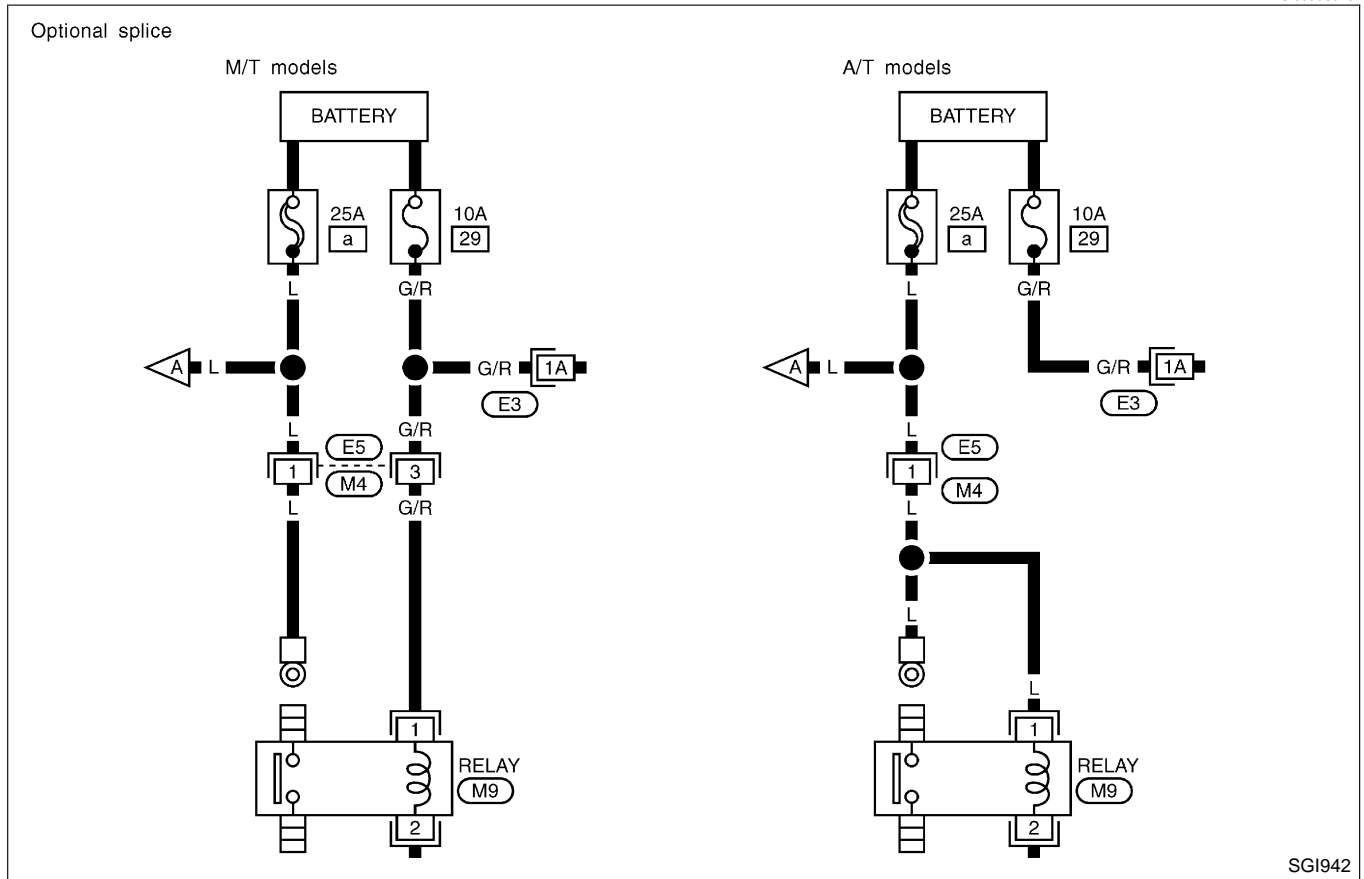
32

# HOW TO READ WIRING DIAGRAMS

Sample/Wiring Diagram — EXAMPL — (Cont'd)

## OPTIONAL SPLICE

NEGI0003S0101



# HOW TO READ WIRING DIAGRAMS

Description

=NEG10003S02

Description				
Number	Item	Description		
1	Power condition	<ul style="list-style-type: none"> <li>This shows the condition when the system receives battery positive voltage (can be operated).</li> </ul>		
2	Fusible link	<ul style="list-style-type: none"> <li>The double line shows that this is a fusible link.</li> <li>The open circle shows current flow in, and the shaded circle shows current flow out.</li> </ul>		
3	Fusible link/fuse location	<ul style="list-style-type: none"> <li>This shows the location of the fusible link or fuse in the fusible link or fuse box. For arrangement, refer to <b>EL-9</b>, "POWER SUPPLY ROUTING".</li> </ul>		
4	Fuse	<ul style="list-style-type: none"> <li>The single line shows that this is a fuse.</li> <li>The open circle shows current flow in, and the shaded circle shows current flow out.</li> </ul>		
5	Current rating	<ul style="list-style-type: none"> <li>This shows the current rating of the fusible link or fuse.</li> </ul>		
6	Connectors	<ul style="list-style-type: none"> <li>This shows that connector E3 is female and connector M1 is male.</li> <li>The G/R wire is located in the 1A terminal of both connectors.</li> <li>Terminal number with an alphabet (1A, 5B, etc.) indicates that the connector is SMJ connector. Refer to "Super Multiple Junction (SMJ)", GI-18.</li> </ul>		
7	Optional splice	<ul style="list-style-type: none"> <li>The open circle shows that the splice is optional depending on vehicle application.</li> </ul>		
8	Splice	<ul style="list-style-type: none"> <li>The shaded circle shows that the splice is always on the vehicle.</li> </ul>		
9	Page crossing	<ul style="list-style-type: none"> <li>This arrow shows that the circuit continues to an adjacent page.</li> <li>The A will match with the A on the preceding or next page.</li> </ul>		
10	Common connector	<ul style="list-style-type: none"> <li>The dotted lines between terminals show that these terminals are part of the same connector.</li> </ul>		
11	Option abbreviation	<ul style="list-style-type: none"> <li>This shows that the circuit is optional depending on vehicle application.</li> </ul>		
12	Relay	<ul style="list-style-type: none"> <li>This shows an internal representation of the relay. For details, refer to <b>EL-7</b>, "STANDARDIZED RELAY".</li> </ul>		
13	Connectors	<ul style="list-style-type: none"> <li>This shows that the connector is connected to the body or a terminal with bolt or nut.</li> </ul>		
14	Wire color	<ul style="list-style-type: none"> <li>This shows a code for the color of the wire.</li> </ul> <table border="0" style="width: 100%;"> <tr> <td style="width: 50%; vertical-align: top;">                     B = Black                      W = White                      R = Red                      G = Green                      L = Blue                      Y = Yellow                      LG = Light Green                 </td> <td style="width: 50%; vertical-align: top;">                     BR = Brown                      OR = Orange                      P = Pink                      PU = Purple                      GY = Gray                      SB = Sky Blue                      CH = Dark Brown                      DG = Dark Green                 </td> </tr> </table> <p>When the wire color is striped, the base color is given first, followed by the stripe color as shown below:                      Example: L/W = Blue with White Stripe</p>	B = Black W = White R = Red G = Green L = Blue Y = Yellow LG = Light Green	BR = Brown OR = Orange P = Pink PU = Purple GY = Gray SB = Sky Blue CH = Dark Brown DG = Dark Green
B = Black W = White R = Red G = Green L = Blue Y = Yellow LG = Light Green	BR = Brown OR = Orange P = Pink PU = Purple GY = Gray SB = Sky Blue CH = Dark Brown DG = Dark Green			
15	Option description	<ul style="list-style-type: none"> <li>This shows a description of the option abbreviation used on the page.</li> </ul>		
16	Switch	<ul style="list-style-type: none"> <li>This shows that continuity exists between terminals 1 and 2 when the switch is in the A position. Continuity exists between terminals 1 and 3 when the switch is in the B position.</li> </ul>		
17	Assembly parts	<ul style="list-style-type: none"> <li>Connector terminal in component shows that it is a harness incorporated assembly.</li> </ul>		
18	Cell code	<ul style="list-style-type: none"> <li>This identifies each page of the wiring diagram by section, system and wiring diagram page number.</li> </ul>		
19	Current flow arrow	<ul style="list-style-type: none"> <li>Arrow indicates electric current flow, especially where the direction of standard flow (vertically downward or horizontally from left to right) is difficult to follow.</li> <li>A double arrow "↔" shows that current can flow in either direction depending on circuit operation.</li> </ul>		

GI

MA

EM

LC

EC

FE

CL

MT

AT

TF

PD

AX

SU

BR

ST

RS

BT

HA

SC

EL

IDX

## HOW TO READ WIRING DIAGRAMS

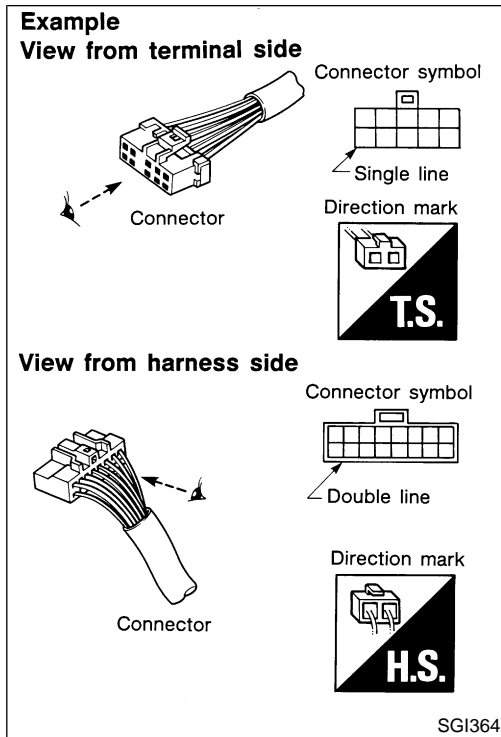
### Description (Cont'd)

Number	Item	Description
20	System branch	<ul style="list-style-type: none"> <li>● This shows that the system branches to another system identified by cell code (section and system).</li> </ul>
21	Page crossing	<ul style="list-style-type: none"> <li>● This arrow shows that the circuit continues to another page identified by cell code.</li> <li>● The C will match with the C on another page within the system other than the next or preceding pages.</li> </ul>
22	Shielded line	<ul style="list-style-type: none"> <li>● The line enclosed by broken line circle shows shield wire.</li> </ul>
23	Component box in wave line	<ul style="list-style-type: none"> <li>● This shows that another part of the component is also shown on another page (indicated by wave line) within the system.</li> </ul>
24	Component name	<ul style="list-style-type: none"> <li>● This shows the name of a component.</li> </ul>
25	Connector number	<ul style="list-style-type: none"> <li>● This shows the connector number.</li> <li>● The letter shows which harness the connector is located in.</li> <li>● Example: <b>M</b>: main harness. For detail and to locate the connector, refer to <b>EL-240</b>, "MAIN HARNESS". A coordinate grid is included for complex harnesses to aid in locating connectors.</li> </ul>
26	Ground (GND)	<ul style="list-style-type: none"> <li>● The line spliced and grounded under wire color shows that ground line is spliced at the grounded connector.</li> </ul>
27	Ground (GND)	<ul style="list-style-type: none"> <li>● This shows the ground connection. For detailed ground distribution information, refer to <b>EL-17</b>, "GROUND DISTRIBUTION".</li> </ul>
28	Connector views	<ul style="list-style-type: none"> <li>● This area shows the connector faces of the components in the wiring diagram on the page.</li> </ul>
29	Common component	<ul style="list-style-type: none"> <li>● Connectors enclosed in broken line show that these connectors belong to the same component.</li> </ul>
30	Connector color	<ul style="list-style-type: none"> <li>● This shows a code for the color of the connector. For code meaning, refer to wire color codes, Number 14 of this chart.</li> </ul>
31	Fusible link and fuse box	<ul style="list-style-type: none"> <li>● This shows the arrangement of fusible link(s) and fuse(s), used for connector views of the power supply routing. Refer to <b>EL-9</b>, "POWER SUPPLY ROUTING". The open square shows current flow in, and the shaded square shows current flow out.</li> </ul>
32	Reference area	<ul style="list-style-type: none"> <li>● This shows that more information on the Super Multiple Junction (SMJ), Electrical Units, etc. exists on the at the end of the manual. Refer to "REFERENCE AREA", GI-18 for details.</li> </ul>

# HOW TO READ WIRING DIAGRAMS

Description (Cont'd)

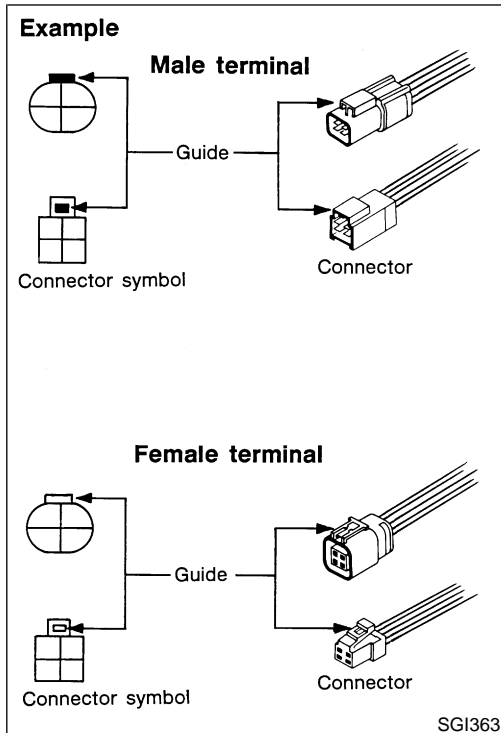
-NEG10003SD201



## CONNECTOR SYMBOLS

Most of connector symbols in wiring diagrams are shown from the terminal side.

- Connector symbols shown from the terminal side are enclosed by a single line and followed by the direction mark.
- Connector symbols shown from the harness side are enclosed by a double line and followed by the direction mark.
- Certain systems and components, especially related to OBD, may use a new style slide-locking type harness connector. For description and how to disconnect, refer to **EL-5**, "HARNESS CONNECTOR".



- Male and female terminals  
Connector guides for male terminals are shown in black and female terminals in white in wiring diagrams.

GI

MA

EM

LC

EC

FE

CL

MT

AT

TF

PD

AX

SU

BR

ST

RS

BT

HA

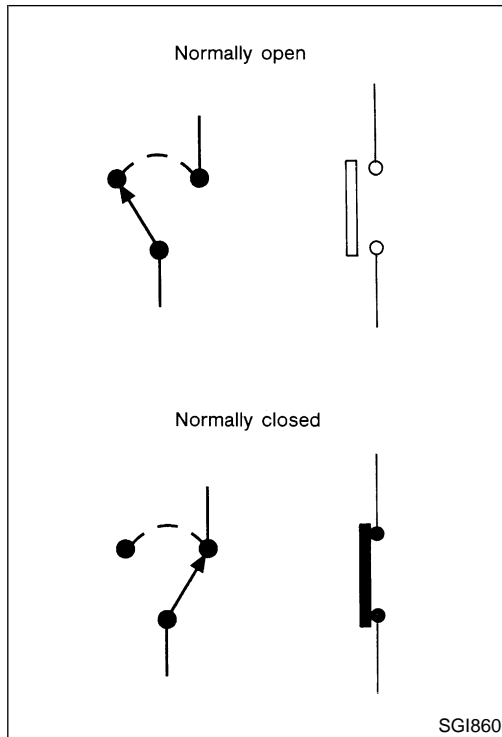
SC

EL

IDX

# HOW TO READ WIRING DIAGRAMS

Description (Cont'd)



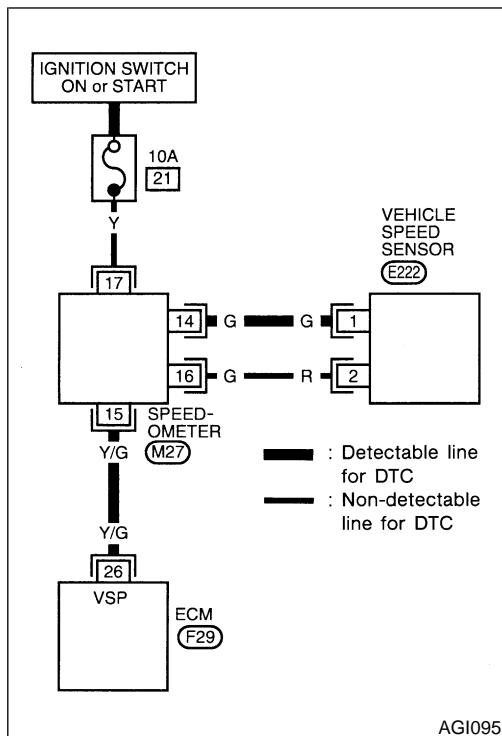
## SWITCH POSITIONS

NEG10003S0202

Switches are shown in wiring diagrams as if the vehicle is in the "normal" condition.

A vehicle is in the "normal" condition when:

- Ignition switch is OFF.
- Doors, hood and trunk lid/back door are closed.
- Pedals are not depressed.
- Parking brake is released.



## DETECTABLE LINES AND NON-DETECTABLE LINES

NEG10003S0203

In some wiring diagrams, two kinds of lines, representing wires, with different weight are used.

- A line with regular weight (wider line) represents a "detectable line for DTC" (Diagnostic Trouble Code)". A "detectable line for DTC" is a circuit in which ECM can detect its malfunctions with the on board diagnostic system.
- A line with less weight (thinner line) represents a "non-detectable line for DTC". A "non-detectable line for DTC" is a circuit in which ECM cannot detect its malfunctions with the on board diagnostic system.



# HOW TO READ WIRING DIAGRAMS

Description (Cont'd)

## MULTIPLE SWITCH

-NEG10003S0204

The continuity of multiple switch is described in two ways as shown below.

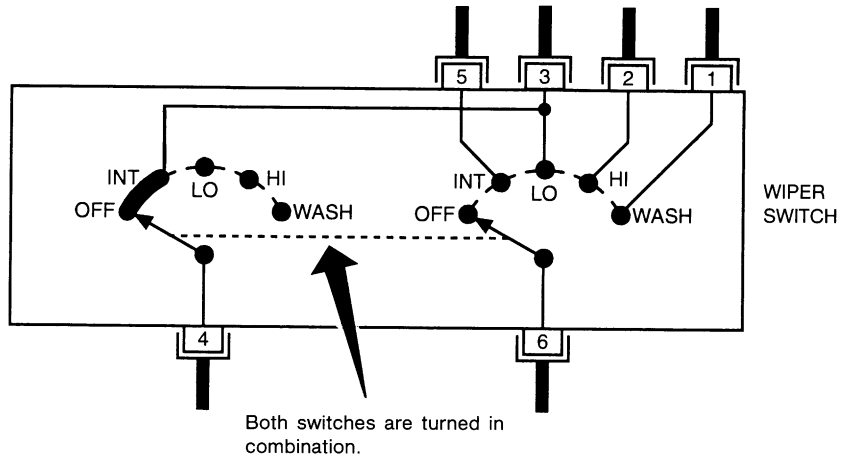
- The switch chart is used in schematic diagrams.
- The switch diagram is used in wiring diagrams.

### Example

(SWITCH CHART)

WIPER SWITCH		OFF	INT	LO	HI	WASH
1						○
2					○	
3	○	○	○			
4	○	○	○			
5			○			
6		○	○	○	○	

(SWITCH DIAGRAM)



Continuity circuit of wiper switch

SWITCH POSITION	CONTINUITY CIRCUIT
OFF	3-4
INT	3-4, 5-6
LO	3-6
HI	2-6
WASH	1-6

SGI875

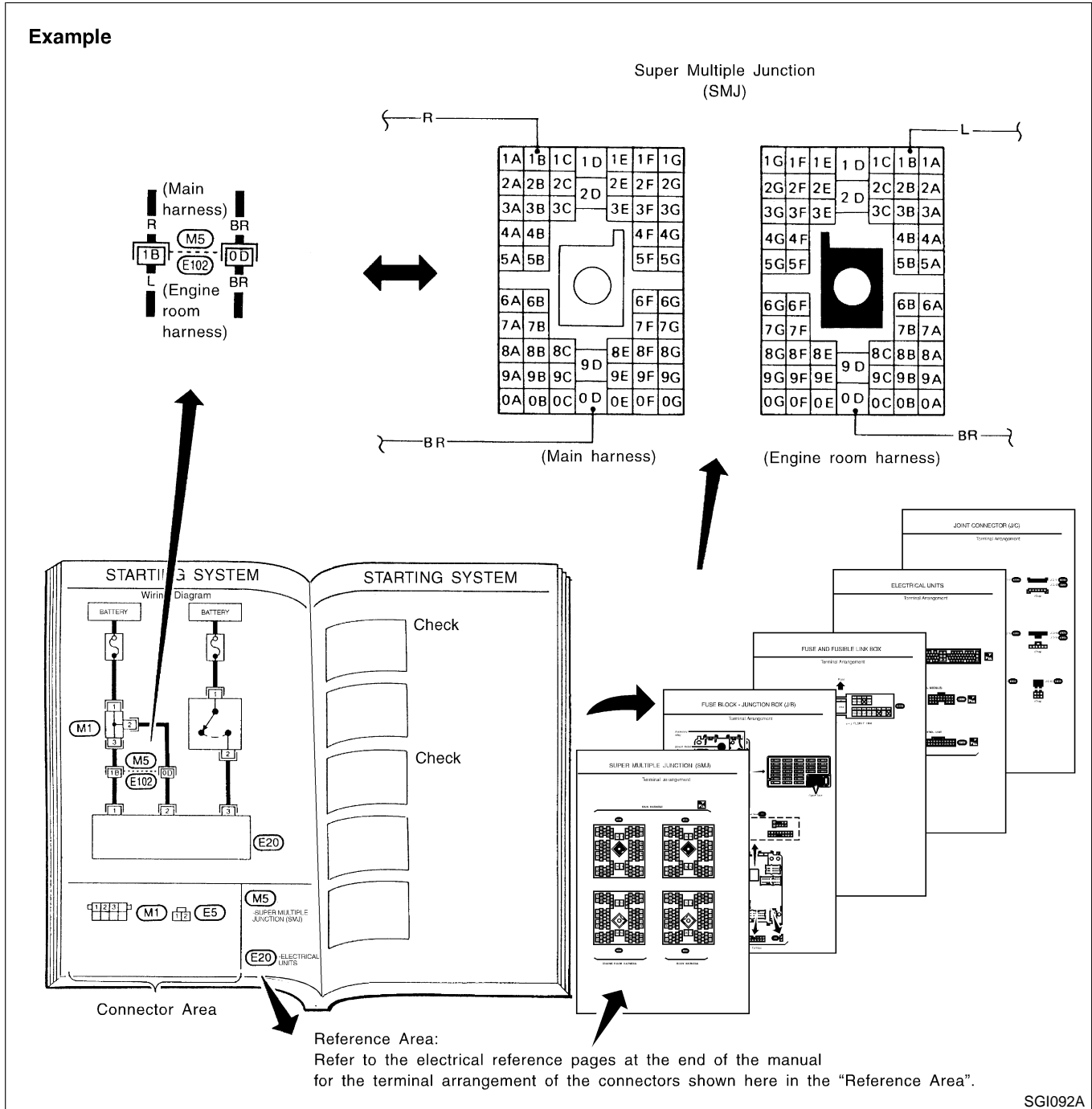
# HOW TO READ WIRING DIAGRAMS

Description (Cont'd)

## REFERENCE AREA

-NEG10003S0205

The Reference Area of the wiring diagram contains references to additional electrical reference pages at the end of the manual. If connector numbers and titles are shown in the Reference Area of the wiring diagram, these connectors symbols are not shown in the Connector Area.



## Super Multiple Junction (SMJ)

In a wiring diagram, the SMJ connectors include a letter of the alphabet in the terminal number. SMJ connector numbers are shown in the Reference Area of the wiring diagram. SMJ terminal arrangement can be found on the electrical reference pages at the end of the manual. For terminal arrangement of these connectors, refer to the "SUPER MULTIPLE JUNCTION (SMJ)" electrical reference page at the end of the manual.

# HOW TO READ WIRING DIAGRAMS

Description (Cont'd)

## **Fuse block—Junction Box (J/B)**

Fuse block—Junction Box (J/B) connector number is shown in the Reference Area of the wiring diagram. For connector terminal and fuse arrangement, refer to the “FUSE BLOCK—Junction Box (J/B)” electrical reference page at the end of the manual.

## **Fuse and fusible link box**

For fuse arrangement in the fuse and fusible link box, refer to the “FUSE AND FUSIBLE LINK BOX” electrical reference page at the end of the manual.

## **Electrical units**

Electrical unit connector symbols are shown in the Connector Area of the wiring diagram. However, when there is not enough space to show the connector terminal arrangement in the Connector Area of the wiring diagram, the electrical unit connector number is shown in the Reference Area of the wiring diagram. For electrical unit connector terminal arrangement, refer to the “ELECTRICAL UNITS” electrical reference page at the end of the manual. Most of the electrical unit connectors on this page are shown from the harness side forth connector.

## **Joint Connector (J/C)**

Joint Connector (J/C) symbols are shown in the connector area of the wiring diagram. For connector internal wiring layout and joint connector terminal arrangement, refer to the “JOINT CONNECTOR (J/C)” electrical reference page at the end of the manual.

GI

MA

EM

LC

EC

FE

CL

MT

AT

TF

PD

AX

SU

BR

ST

RS

BT

HA

SC

EL

IDX

# HOW TO CHECK TERMINAL


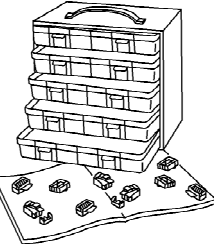
Connector and Terminal Pin Kit

## Connector and Terminal Pin Kit

NEGI0011S01

Use the connector and terminal pin kit listed below when replacing connectors or terminals.

The connector and terminal pin kit contains some of the most commonly used NISSAN connectors and terminals.

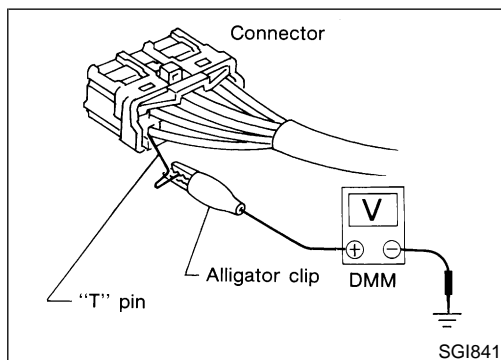
Tool number (Kent-Moore No.) Tool name	Description
(J38751-95NI) Connector and terminal pin kit (J42992-98KIT) OBD Terminal Repair Kit	<div style="display: flex; justify-content: space-around; align-items: center;"> <div style="text-align: center;"> <p>J42992-98KIT</p>  </div> <div style="text-align: center;"> <p>J38751-95NI</p>  </div> </div> <p style="text-align: left; margin-top: 10px;">AGI121</p>

## How to Probe Connectors

NEGI0011S02

Connector damage and an intermittent connection can result from improperly probing of the connector during circuit checks.

The probe of a digital multimeter (DMM) may not correctly fit the connector cavity. To correctly probe the connector, follow the procedures below using a "T" pin. For the best contact grasp the "T" pin using an alligator clip.

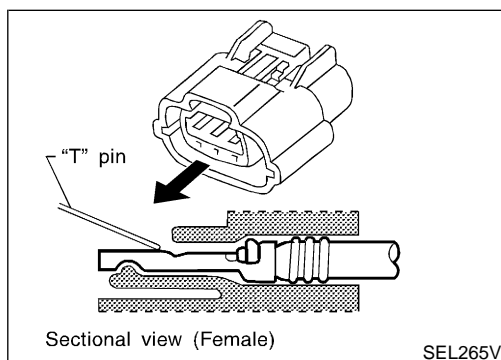


### PROBING FROM HARNESS SIDE

NEGI0011S0201

Standard type (not waterproof type) connector should be probed from harness side with "T" pin.

- If the connector has a rear cover such as an ECM connector, remove the rear cover before probing the terminal.
- Do not probe waterproof connector from harness side. Damage to the seal between wire and connector may result.



### PROBING FROM TERMINAL SIDE

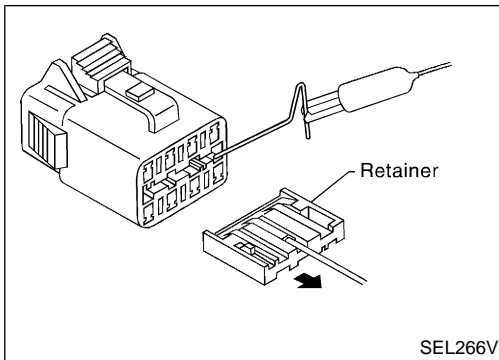
NEGI0011S0202

#### Female Terminal

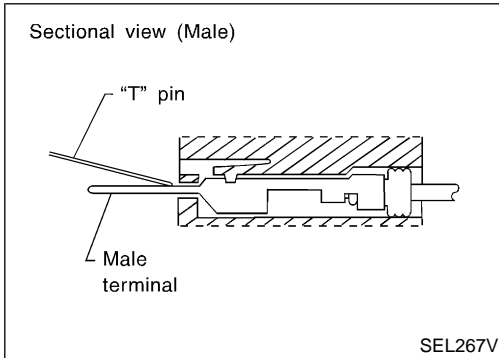
- There is a small notch above each female terminal. Probe each terminal with the "T" pin through the notch. Do not insert any object other than the same type male terminal into female terminal.

# HOW TO CHECK TERMINAL

How to Probe Connectors (Cont'd)



- Some connectors do not have a notch above each terminal. To probe each terminal, remove the connector retainer to make contact space for probing.



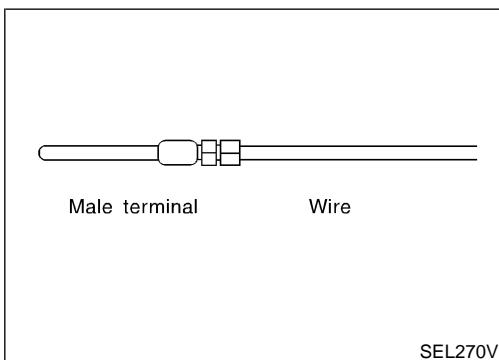
## Male Terminal

Carefully probe the contact surface of each terminal using a "T" pin. Do not bend terminal.

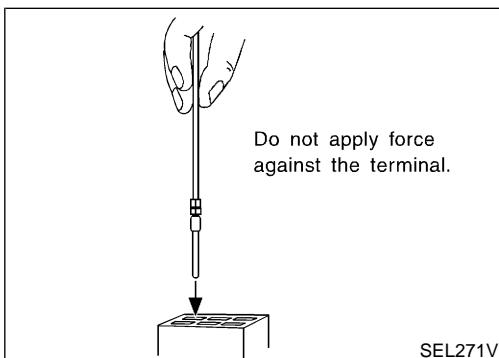
## How to Check Enlarged Contact Spring of Terminal

NEG10011S03

An enlarged contact spring of a terminal may create intermittent signals in the circuit. If the intermittent open circuit occurs, follow the procedure below to inspect for open wires and enlarged contact spring of female terminal.



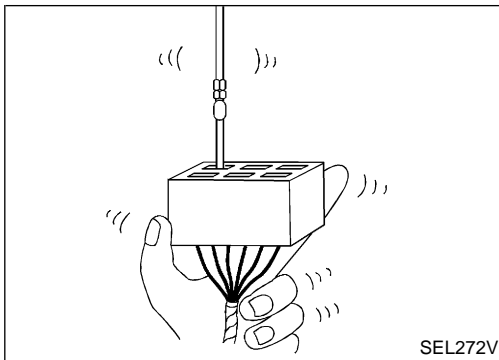
1. Assemble a male terminal and approx. 10 cm (3.9 in) of wire. **Use a male terminal which matches the female terminal.**
2. Disconnect the suspected faulty connector and hold it terminal side up.



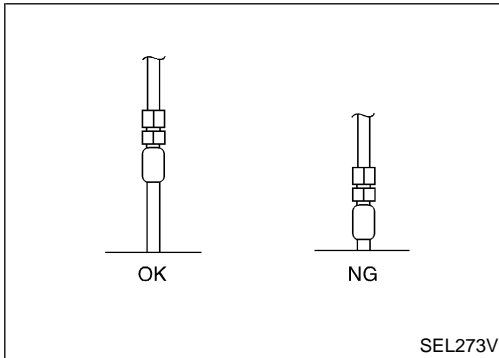
3. While holding the wire of the male terminal, try to insert the male terminal into the female terminal. **Do not force the male terminal into the female terminal with your hands.**

# HOW TO CHECK TERMINAL

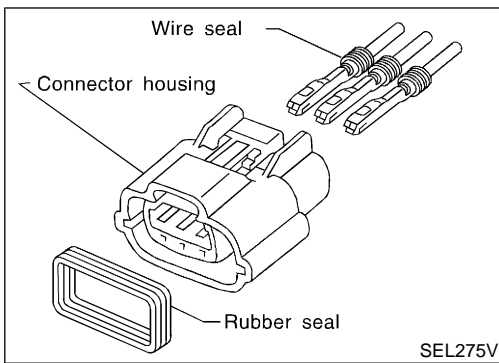
How to Check Enlarged Contact Spring of Terminal (Cont'd)



4. While moving the connector, check whether the male terminal can be easily inserted or not.



- If the male terminal can be easily inserted into the female terminal, replace the female terminal.



## Waterproof Connector Inspection

NEG10011S04

If water enters the connector, it can short interior circuits. This may lead to intermittent problems.

Check the following items to maintain the original waterproof characteristics.

## RUBBER SEAL INSPECTION

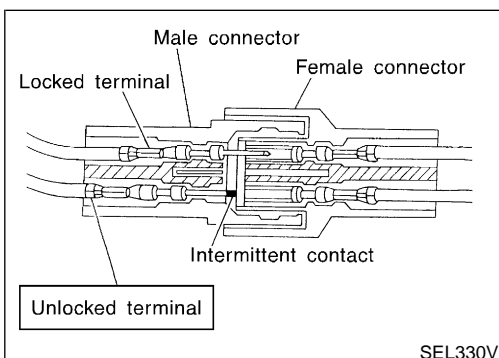
NEG10011S0401

- Most waterproof connectors are provided with a rubber seal between the male and female connectors. If the seal is missing, the waterproof performance may not meet specifications.
- The rubber seal may come off when connectors are disconnected. Whenever connectors are reconnected, make sure the rubber seal is properly installed on either side of male or female connector.

## WIRE SEAL INSPECTION

NEG10011S0402

The wire seal must be installed on the wire insertion area of a waterproof connector. Be sure that the seal is installed properly.



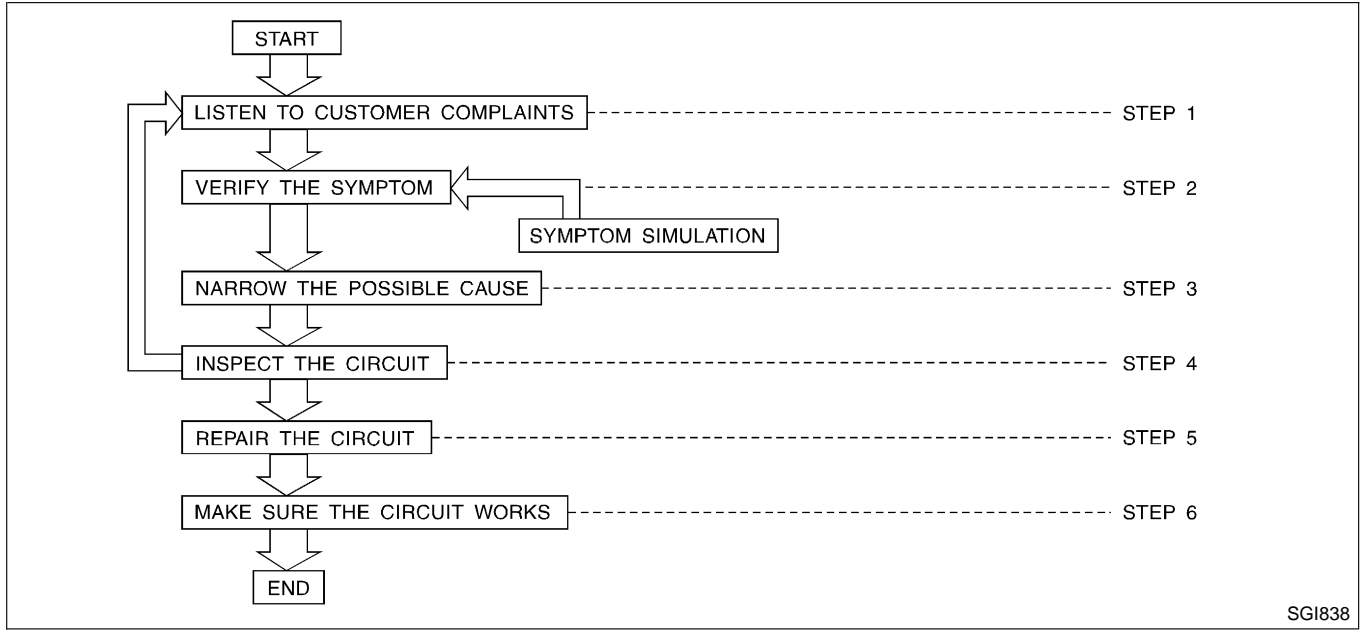
## Terminal Lock Inspection

NEG10011S05

Check for unlocked terminals by pulling wire at the end of connector. An unlocked terminal may create intermittent signals in the circuit.

## Work Flow

NEGI0004S01



SGI838

STEP	DESCRIPTION
STEP 1	Get detailed information about the conditions and the environment when the incident occurred. The following are key pieces of information required to make a good analysis:
	<b>WHAT</b> Vehicle Model, Engine, Transmission and the System (i.e., Radio).
	<b>WHEN</b> Date, Time of Day, Weather Conditions, Frequency.
	<b>WHERE</b> Road Conditions, Altitude and Traffic Situation.
	<b>HOW</b> System Symptoms, Operating Conditions (Other Components Interaction). Service History and if any Aftermarket Accessories have been installed.
STEP 2	Operate the system, road test if necessary. Verify the parameter of the incident. If the problem cannot be duplicated, refer to "Incident Simulation Tests", GI-24.
STEP 3	Get the proper diagnosis materials together including: POWER SUPPLY ROUTING System Operation Descriptions Applicable Service Manual Sections Check for any Service Bulletin. Identify where to begin diagnosis based upon your knowledge of the system operation and the customer comments.
STEP 4	Inspect the system for mechanical binding, loose connectors or wiring damage. Determine which circuits and components are involved and diagnose using the Power Supply Routing and Harness Layouts.
STEP 5	Repair or replace the incident circuit or component.
STEP 6	Operate the system in all modes. Verify the system works properly under all conditions. Make sure you have not inadvertently created a new incident during your diagnosis or repair steps.

GI

MA

EM

LC

EC

FE

CL

MT

AT

TF

PD

AX

SU

BR

ST

RS

BT

HA

SC

EL

IDX

# HOW TO PERFORM EFFICIENT DIAGNOSIS FOR AN ELECTRICAL INCIDENT

## Incident Simulation Tests

NEG10004S02

### INTRODUCTION

NEG10004S0201

Sometimes the symptom is not present when the vehicle is brought in for service. If possible, re-create the conditions present at the time of the incident. Doing so may help avoid a No Trouble Found Diagnosis. The following section illustrates ways to simulate the conditions/environment under which the owner experiences an electrical incident.

The section is broken into the six following topics:

- Vehicle vibration
- Heat sensitive
- Freezing
- Water intrusion
- Electrical load
- Cold or hot start up

Get a thorough description of the incident from the customer. It is important for simulating the conditions of the problem.

### VEHICLE VIBRATION

NEG10004S0202

The problem may occur or become worse while driving on a rough road or when engine is vibrating (idle with A/C on). In such a case, you will want to check for a vibration related condition. Refer to the illustration below.

#### Connectors and Harness

Determine which connectors and wiring harness would affect the electrical system you are inspecting. **Gently** shake each connector and harness while monitoring the system for the incident you are trying to duplicate. This test may indicate a loose or poor electrical connection.

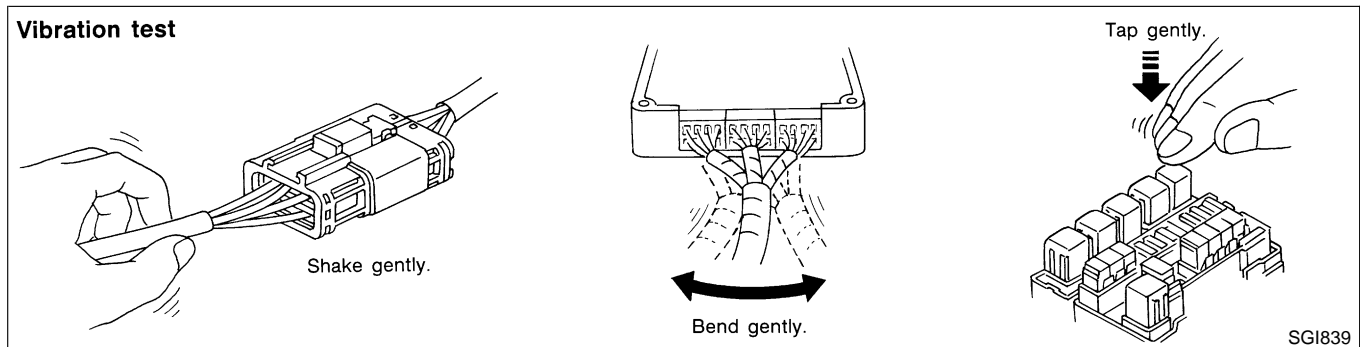
#### Hint

Connectors can be exposed to moisture. It is possible to get a thin film of corrosion on the connector terminals. A visual inspection may not reveal this without disconnecting the connector. If the problem occurs intermittently, perhaps the problem is caused by corrosion. It is a good idea to disconnect, inspect and clean the terminals on related connectors in the system.

#### Sensors and Relays

**Gently** apply a slight vibration to sensors and relays in the system you are inspecting.

This test may indicate a loose or poorly mounted sensor or relay.





## Engine Compartment

There are several reasons a vehicle or engine vibration could cause an electrical complaint. Some of the things to check for are:

- Connectors not fully seated.
- Wiring harness not long enough and is being stressed due to engine vibrations or rocking.
- Wires laying across brackets or moving components.
- Loose, dirty or corroded ground wires.
- Wires routed too close to hot components.

To inspect components under the hood, start by verifying the integrity of ground connections. Refer to "GROUND INSPECTION", GI-29. First check that the system is properly grounded. Then check for loose connection by **gently** shaking the wiring or components as previously explained. Using the wiring diagrams inspect the wiring for continuity.

## Behind The Instrument Panel

An improperly routed or improperly clamped harness can become pinched during accessory installation. Vehicle vibration can aggravate a harness which is routed along a bracket or near a screw.

## Under Seating Areas

An unclamped or loose harness can cause wiring to be pinched by seat components (such as slide guides) during vehicle vibration. If the wiring runs under seating areas, inspect wire routing for possible damage or pinching.

GI

MA

EM

LC

EC

FE

CL

MT

AT

TF

PD

AX

SU

BR

ST

RS

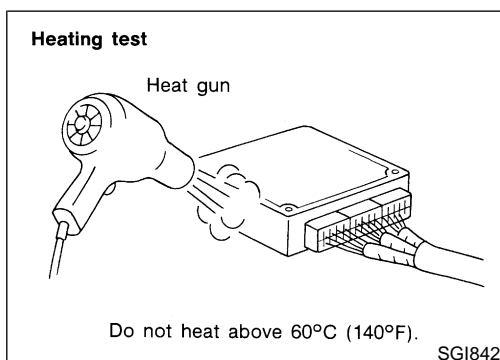
BT

HA

SC

EL

IDX



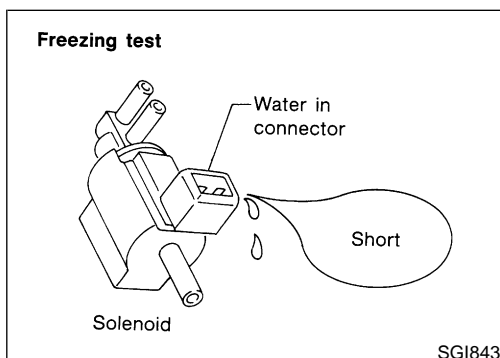
## HEAT SENSITIVE

The owner's problem may occur during hot weather or after car has sat for a short time. In such cases you will want to check for a heat sensitive condition.

To determine if an electrical component is heat sensitive, heat the component with a heat gun or equivalent.

**Do not heat components above 60°C (140°F).** If incident occurs while heating the unit, either replace or properly insulate the component.

NEG10004S0203



## FREEZING

The customer may indicate the incident goes away after the car warms up (wintertime). The cause could be related to water freezing somewhere in the wiring/electrical system.

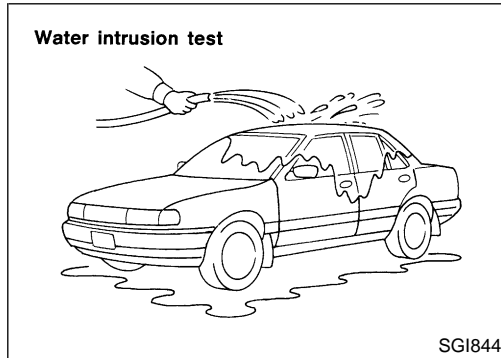
There are two methods to check for this. The first is to arrange for the owner to leave the car overnight. Make sure it will get cold enough to demonstrate the complaint. Leave the car parked outside overnight. In the morning, do a quick and thorough diagnosis of those electrical components which could be affected.

NEG10004S0204

# HOW TO PERFORM EFFICIENT DIAGNOSIS FOR AN ELECTRICAL INCIDENT

Incident Simulation Tests (Cont'd)

The second method is to put the suspect component into a freezer long enough for any water to freeze. Reinstall the part into the car and check for the reoccurrence of the incident. If it occurs, repair or replace the component.

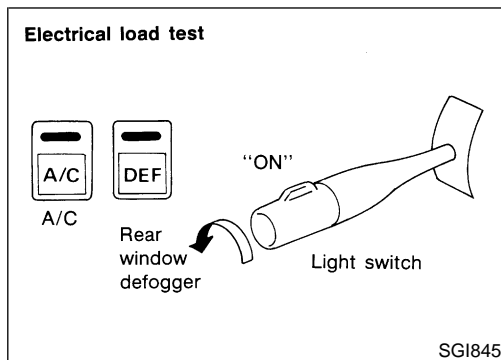


## WATER INTRUSION

NEG10004S0205

The incident may occur only during high humidity or in rainy/snowy weather. In such cases the incident could be caused by water intrusion on an electrical part. This can be simulated by soaking the car or running it through a car wash.

**Do not spray water directly on any electrical components.**



## ELECTRICAL LOAD

NEG10004S0206

The incident may be electrical load sensitive. Perform diagnosis with all accessories (including A/C, rear window defogger, radio, fog lamps) turned on.

## COLD OR HOT START UP

NEG10004S0207

On some occasions an electrical incident may occur only when the car is started cold. Or it may occur when the car is restarted hot shortly after being turned off. In these cases you may have to keep the car overnight to make a proper diagnosis.

## Circuit Inspection

NEG10004S03

### INTRODUCTION

NEG10004S0302

In general, testing electrical circuits is an easy task if it is approached in a logical and organized method. Before beginning it is important to have all available information on the system to be tested. Also, get a thorough understanding of system operation. Then you will be able to use the appropriate equipment and follow the correct test procedure.

You may have to simulate vehicle vibrations while testing electrical components. **Gently** shake the wiring harness or electrical component to do this.

OPEN	A circuit is open when there is no continuity through a section of the circuit.	
SHORT	There are two types of shorts.	
	• SHORT CIRCUIT	When a circuit contacts another circuit and causes the normal resistance to change.
	• SHORT TO GROUND	When a circuit contacts a ground source and grounds the circuit.

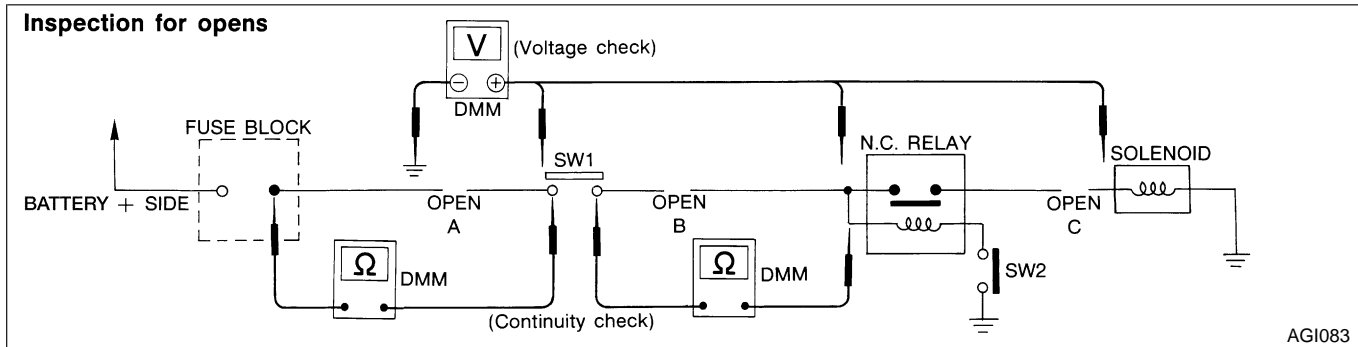
### NOTE:

Refer to "HOW TO CHECK TERMINAL", GI-20 to probe or check terminal.

## TESTING FOR "OPENS" IN THE CIRCUIT

NEGI0004SQ303

Before you begin to diagnose and test the system, you should rough sketch a schematic of the system. This will help you to logically walk through the diagnosis process. Drawing the sketch will also reinforce your working knowledge of the system.



### Continuity Check Method

The continuity check is used to find an open in the circuit. The Digital Multimeter (DMM) set on the resistance function will indicate an open circuit as over limit (no beep tone or no ohms symbol). Make sure to always start with the DMM at the highest resistance level.

To help in understanding the diagnosis of open circuits please refer to the schematic above.

- 1) Disconnect the battery negative cable.
- 2) Start at one end of the circuit and work your way to the other end. (At the fuse block in this example)
- 3) Connect one probe of the DMM to the fuse block terminal on the load side.
- 4) Connect the other probe to the fuse block (power) side of SW1. Little or no resistance will indicate that portion of the circuit has good continuity. If there were an open in the circuit, the DMM would indicate an over limit or infinite resistance condition. (point A)
- 5) Connect the probes between SW1 and the relay. Little or no resistance will indicate that portion of the circuit has good continuity. If there were an open in the circuit, the DMM would indicate an over limit or infinite resistance condition. (point B)
- 6) Connect the probes between the relay and the solenoid. Little or no resistance will indicate that portion of the circuit has good continuity. If there were an open in the circuit, the DMM would indicate an over limit or infinite resistance condition. (point C)

Any circuit can be diagnosed using the approach in the above example.

### Voltage Check Method

To help in understanding the diagnosis of open circuits please refer to the previous schematic.

In any powered circuit, an open can be found by methodically checking the system for the presence of voltage. This is done by switching the DMM to the voltage function.

- 1) Connect one probe of the DMM to a known good ground.
- 2) Begin probing at one end of the circuit and work your way to the other end.
- 3) With SW1 open, probe at SW1 to check for voltage.
  - Voltage: open is further down the circuit than SW1.
  - No voltage: open is between fuse block and SW1 (point A).
- 4) Close SW1 and probe at relay.

# HOW TO PERFORM EFFICIENT DIAGNOSIS FOR AN ELECTRICAL INCIDENT

Circuit Inspection (Cont'd)

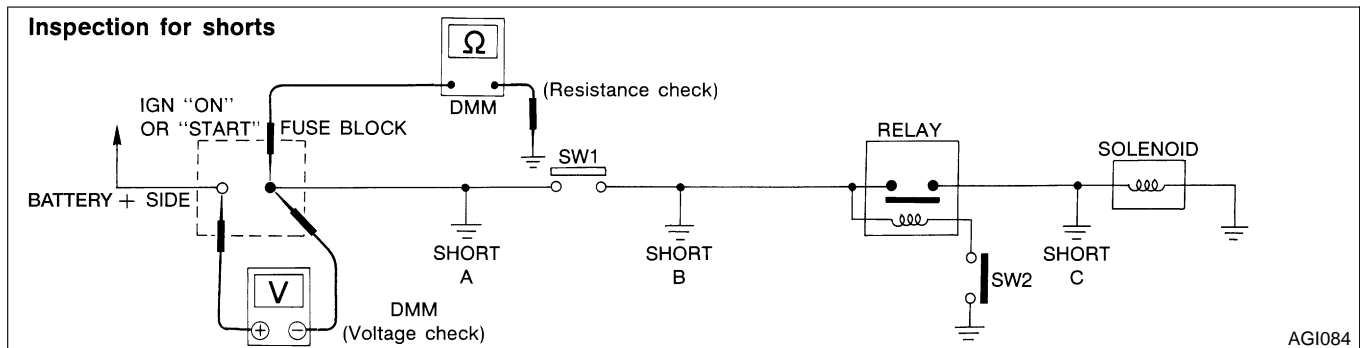
- Voltage: open is further down the circuit than the relay.
  - No voltage: open is between SW1 and relay (point B).
- 5) Close the relay and probe at the solenoid.
- Voltage: open is further down the circuit than the solenoid.
  - No voltage: open is between relay and solenoid (point C).

Any powered circuit can be diagnosed using the approach in the above example.

## TESTING FOR "SHORTS" IN THE CIRCUIT

NEG10004S0304

To simplify the discussion of shorts in the system please refer to the schematic below.



### Resistance Check Method

- 1) Disconnect the battery negative cable and remove the blown fuse.
- 2) Disconnect all loads (SW1 open, relay disconnected and solenoid disconnected) powered through the fuse.
- 3) Connect one probe of the ohmmeter to the load side of the fuse terminal. Connect the other probe to a known good ground.
- 4) With SW1 open, check for continuity.
  - Continuity: short is between fuse terminal and SW1 (point A).
  - No continuity: short is further down the circuit than SW1.
- 5) Close SW1 and disconnect the relay. Put probes at the load side of fuse terminal and a known good ground. Then, check for continuity.
  - Continuity: short is between SW1 and the relay (point B).
  - No continuity: short is further down the circuit than the relay.
- 6) Close SW1 and jump the relay contacts with jumper wire. Put probes at the load side of fuse terminal and a known good ground. Then, check for continuity.
  - Continuity: short is between relay and solenoid (point C).
  - No continuity: check solenoid, retrace steps.

### Voltage Check Method

- 1) Remove the blown fuse and disconnect all loads (i.e. SW1 open, relay disconnected and solenoid disconnected) powered through the fuse.
- 2) Turn the ignition key to the ON or START position. Verify battery voltage at the battery + side of the fuse terminal (one lead on the battery + terminal side of the fuse block and one lead on a known good ground).
- 3) With SW1 open and the DMM leads across both fuse terminals, check for voltage.
  - Voltage: short is between fuse block and SW1 (point A).
  - No voltage: short is further down the circuit than SW1.
- 4) With SW1 closed, relay and solenoid disconnected and the

- DMM leads across both fuse terminals, check for voltage.
- Voltage: short is between SW1 and the relay (point B).
- No voltage: short is further down the circuit than the relay.
- 5) With SW1 closed, relay contacts jumped with fused jumper wire check for voltage.
- Voltage: short is down the circuit of the relay or between the relay and the disconnected solenoid (point C).
- No voltage: retrace steps and check power to fuse block.

## GROUND INSPECTION

NEG10004SG305

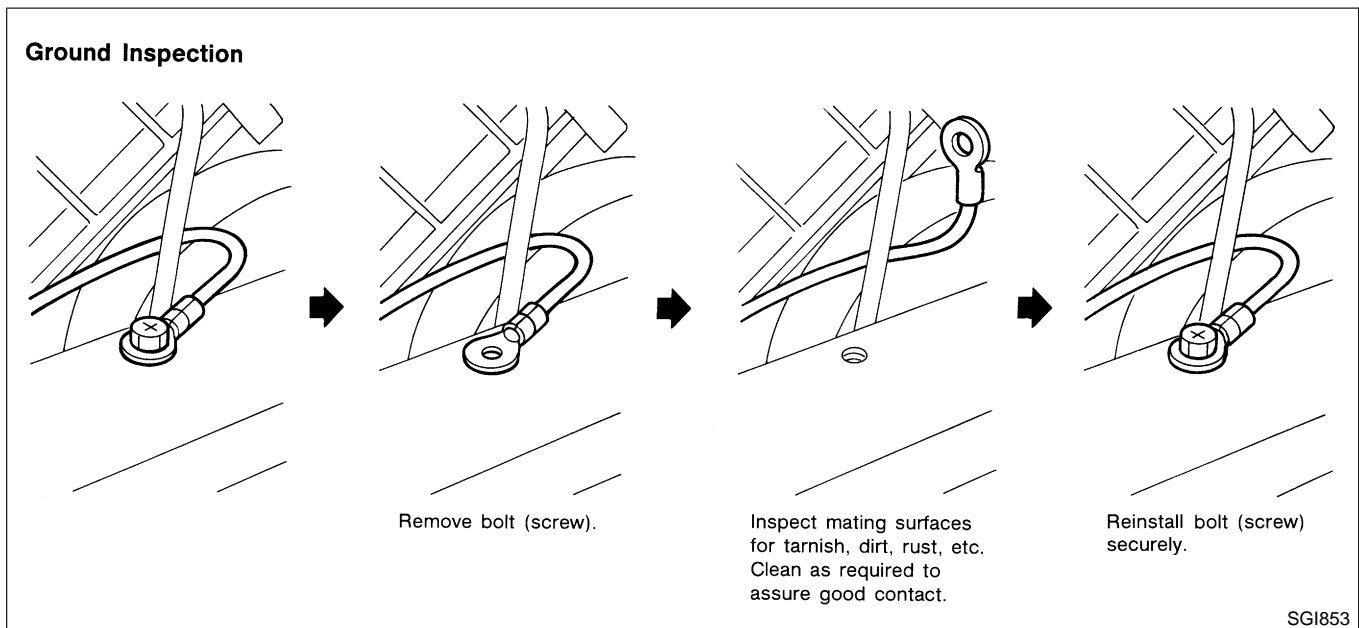
Ground connections are very important to the proper operation of electrical and electronic circuits. Ground connections are often exposed to moisture, dirt and other corrosive elements. The corrosion (rust) can become an unwanted resistance. This unwanted resistance can change the way a circuit works.

Electronically controlled circuits are very sensitive to proper grounding. A loose or corroded ground can drastically affect an electronically controlled circuit. A poor or corroded ground can easily affect the circuit. Even when the ground connection looks clean, there can be a thin film of rust on the surface.

When inspecting a ground connection follow these rules:

- 1) Remove the ground bolt or screw.
- 2) Inspect all mating surfaces for tarnish, dirt, rust, etc.
- 3) Clean as required to assure good contact.
- 4) Reinstall bolt or screw securely.
- 5) Inspect for "add-on" accessories which may be interfering with the ground circuit.
- 6) If several wires are crimped into one ground eyelet terminal, check for proper crimps. Make sure all of the wires are clean, securely fastened and providing a good ground path. If multiple wires are cased in one eyelet make sure no ground wires have excess wire insulation.

For detailed ground distribution information, refer to **EL-17**, "GROUND DISTRIBUTION".



# HOW TO PERFORM EFFICIENT DIAGNOSIS FOR AN ELECTRICAL INCIDENT

Circuit Inspection (Cont'd)

## VOLTAGE DROP TESTS

NEG10004SQ306

Voltage drop tests are often used to find components or circuits which have excessive resistance. A voltage drop in a circuit is caused by a resistance **when the circuit is in operation**.

Check the wire in the illustration. When measuring resistance with ohmmeter, contact by a single strand of wire will give reading of 0 ohms. This would indicate a good circuit. When the circuit operates, this single strand of wire is not able to carry the current. The single strand will have a high resistance to the current. This will be picked up as a slight voltage drop.

Unwanted resistance can be caused by many situations as follows:

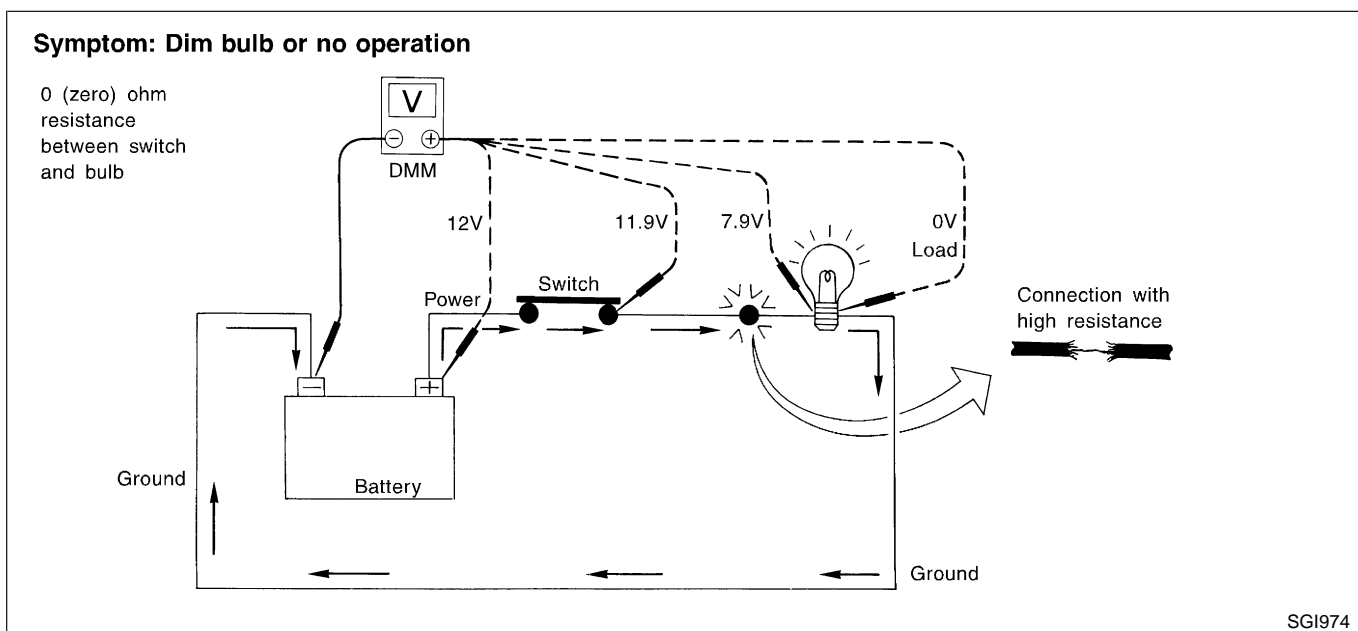
- Undersized wiring (single strand example)
- Corrosion on switch contacts
- Loose wire connections or splices.

If repairs are needed always use wire that is of the same or larger gauge.

### Measuring Voltage Drop — Accumulated Method

- 1) Connect the voltmeter across the connector or part of the circuit you want to check. The positive lead of the voltmeter should be closer to power and the negative lead closer to ground.
- 2) Operate the circuit.
- 3) The voltmeter will indicate how many volts are being used to “push” current through that part of the circuit.

**Note in the illustration that there is an excessive 4.1 volt drop between the battery and the bulb.**



### Measuring Voltage Drop — Step by Step

The step by step method is most useful for isolating excessive drops in low voltage systems (such as those in “Computer Controlled Systems”).

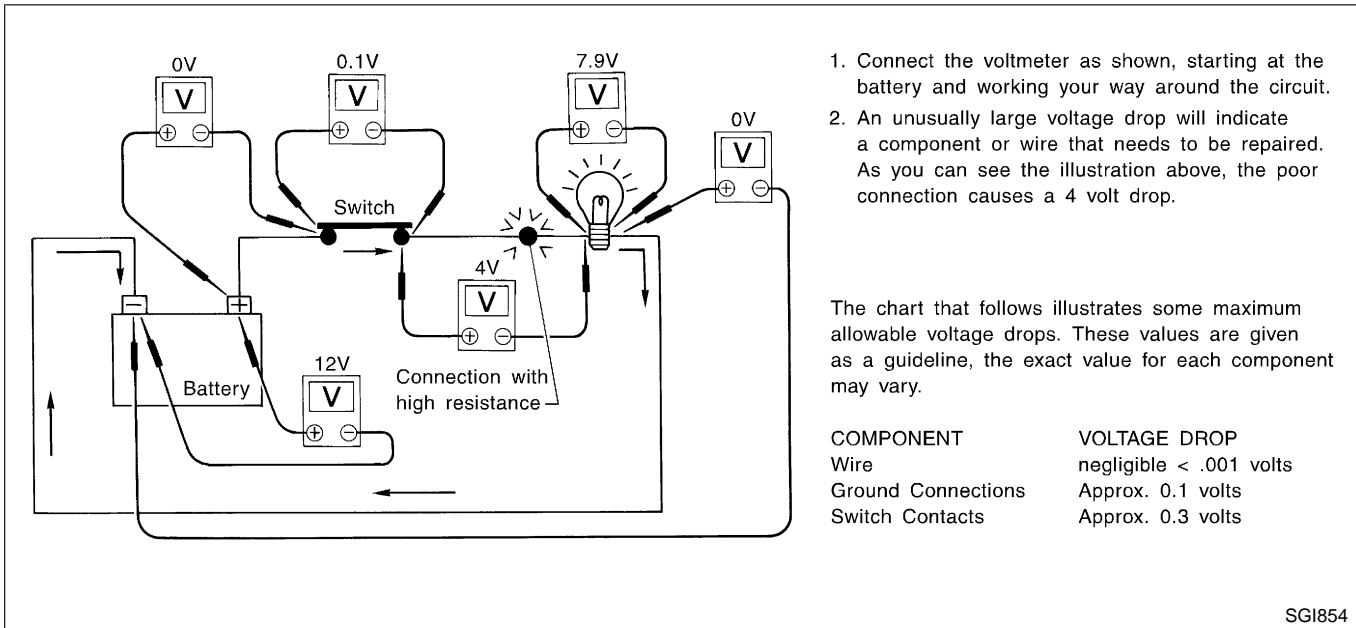
Circuits in the “Computer Controlled System” operate on very low amperage.

The (Computer Controlled) system operations can be adversely

# HOW TO PERFORM EFFICIENT DIAGNOSIS FOR AN ELECTRICAL INCIDENT

Circuit Inspection (Cont'd)

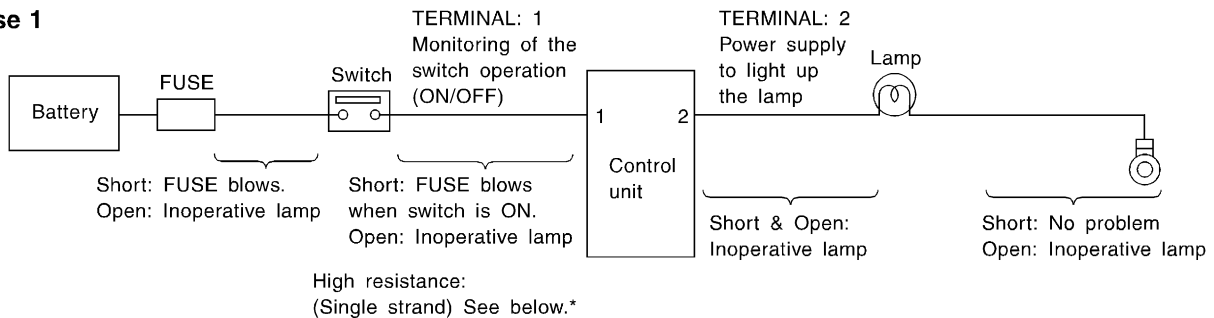
affected by any variation in resistance in the system. Such resistance variation may be caused by poor connection, improper installation, improper wire gauge or corrosion. The step by step voltage drop test can identify a component or wire with too much resistance.



## CONTROL UNIT CIRCUIT TEST

System Description: When the switch is ON, the control unit lights up the lamp. NEG10004S0307

### Case 1



MG1034A

# HOW TO PERFORM EFFICIENT DIAGNOSIS FOR AN ELECTRICAL INCIDENT

Circuit Inspection (Cont'd)

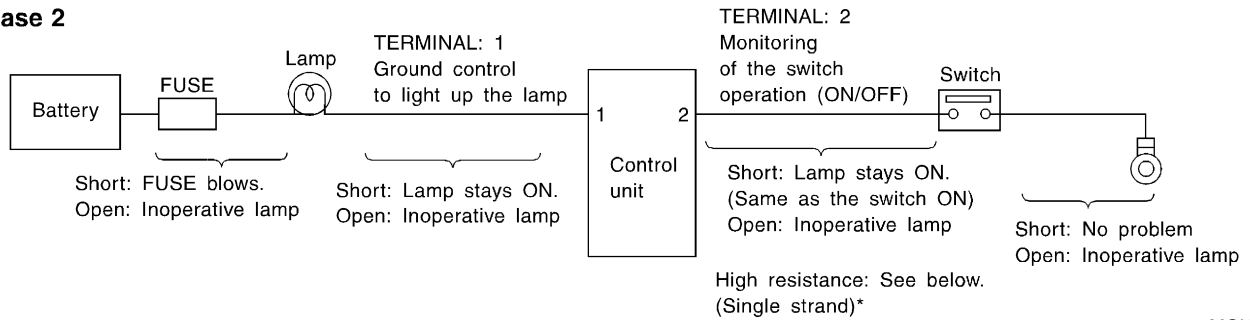
## Input-output voltage chart

Pin No.	Item	Condition	Voltage value [V]	In case of high resistance such as single strand [V] *
1	Switch	Switch ON	Battery voltage	Lower than battery voltage Approx. 8 (Example)
		Switch OFF	Approx. 0	Approx. 0
2	Lamp	Switch ON	Battery voltage	Approx. 0 (Inoperative lamp)
		Switch OFF	Approx. 0	Approx. 0

The voltage value is based on the body ground.

\* : If high resistance exists in the switch side circuit (caused by a single strand), terminal 1 does not detect battery voltage. Control unit does not detect the switch is ON even if the switch does not turn ON. Therefore, the control unit does not supply power to light up the lamp.

### Case 2



MG1035A

## Input-output voltage chart

Pin No.	Item	Condition	Voltage value [V]	In case of high resistance such as single strand [V] *
1	Lamp	Switch ON	Approx. 0	Battery voltage (Inoperative lamp)
		Switch OFF	Battery voltage	Battery voltage
2	Switch	Switch ON	Approx. 0	Higher than 0 Approx. 4 (Example)
		Switch OFF	Approx. 5	Approx. 5

The voltage value is based on the body ground.

\* : If high resistance exists in the switch side circuit (caused by a single strand), terminal 2 does not detect approx. 0V. Control unit does not detect the switch is ON even if the switch does not turn ON. Therefore, the control unit does not control ground to light up the lamp.



# HOW TO FOLLOW TROUBLE DIAGNOSES

**NOTICE:**

Trouble diagnoses indicates work procedures required to diagnose problems effectively. Observe the following instructions before diagnosing.

- 1) **Before performing trouble diagnoses, read the “Preliminary Check”, the “Symptom Chart” or the “Work Flow”.**
- 2) **After repairs, re-check that the problem has been completely eliminated.**
- 3) **Refer to Component Parts and Harness Connector Location for the Systems described in each section for identification/location of components and harness connectors.**
- 4) **Refer to the Circuit Diagram for quick pinpoint check. If you need to check circuit continuity between harness connectors in more detail, such as when a sub-harness is used, refer to Wiring Diagram in each individual section and Harness Layout in EL section for identification of harness connectors.**
- 5) **When checking circuit continuity, ignition switch should be OFF.**
- 6) **Before checking voltage at connectors, check battery voltage.**
- 7) **After accomplishing the Diagnostic Procedures and Electrical Components Inspection, make sure that all harness connectors are reconnected as they were.**

**GI**

MA

EM

LC

EC

FE

CL

MT

AT

TF

PD

AX

SU

BR

ST

RS

BT

HA

SC

EL

IDX

# HOW TO FOLLOW TROUBLE DIAGNOSES

How to Follow Test Groups in Trouble Diagnoses

## How to Follow Test Groups in Trouble Diagnoses

NEGI0005S01

**Example**

<b>1</b>	<b>CHECK POWER SUPPLY CIRCUIT</b>						
<p><b>1</b> {</p> <p>1. Turn ignition switch "ON".</p> <p>2. Check voltage between combination meter harness connector M24 terminal 15 (W/B) and ground.</p>	<div style="text-align: center;"> <p>Combination meter connector</p> <p>OK or NG</p> <p>MEL824F</p> </div> <p>Battery voltage should exist.</p>						
	<table border="1"> <tr> <td>OK</td> <td>▶</td> <td>GO TO 2.</td> </tr> <tr> <td>NG</td> <td>▶</td> <td>                     Check the following.                     <ul style="list-style-type: none"> <li>• 10A fuse [No.7, located in the fuse block (J/B)]</li> <li>• Harness for open or short between fuse and combination meter</li> </ul> </td> </tr> </table>	OK	▶	GO TO 2.	NG	▶	Check the following. <ul style="list-style-type: none"> <li>• 10A fuse [No.7, located in the fuse block (J/B)]</li> <li>• Harness for open or short between fuse and combination meter</li> </ul>
OK	▶	GO TO 2.					
NG	▶	Check the following. <ul style="list-style-type: none"> <li>• 10A fuse [No.7, located in the fuse block (J/B)]</li> <li>• Harness for open or short between fuse and combination meter</li> </ul>					
<p><b>4</b> {</p>	<p><b>2</b>   <b>CHECK GROUND CIRCUIT FOR GAUGES</b></p> <p>Check continuity between combination meter terminal 23 and ground.</p> <div style="text-align: center;"> </div>						

WGI027

- 1) **Work and diagnostic procedure**  
Start to diagnose a problem using procedures indicated in enclosed test groups.
- 2) **Questions and required results.**  
Questions and required results are indicated in bold type in test group.  
The meaning of are as follows:
  - a. **Battery voltage** → **11 - 14V or approximately 12V**
  - b. **Voltage: Approximately 0V** → **Less than 1V**
  - c. **Resistance: Continuity should exist** → **Approximately 0Ω**
- 3) **Symbol used in illustration**  
Symbols included in illustrations refer to measurements or procedures. Before diagnosing a problem, familiarize yourself with each symbol. Refer to "CONNECTOR SYMBOLS", GI-15 and "Key to Symbols Signifying Measurements or Procedures", GI-36.
- 4) **Action items**  
Next action for each test group is indicated based on result of each question. Test group number is shown in the left upper portion of each test group.

# HOW TO FOLLOW TROUBLE DIAGNOSES

Harness Wire Color and Connector Number Indication

## Harness Wire Color and Connector Number Indication

There are two types of harness wire color and connector number indication.

NEGI0005S03

GI

MA

EM

LC

EC

FE

CL

MT

AT

TF

PD

AX

SU

BR

ST

RS

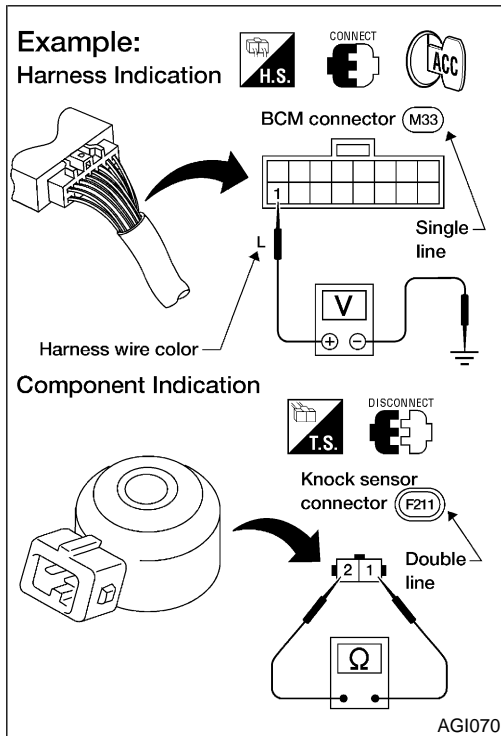
BT

HA

SC

EL

IDX



### TYPE 1: HARNESS WIRE COLOR AND CONNECTOR NUMBER ARE SHOWN IN ILLUSTRATION

NEGI0005S0301

- Letter designations next to test meter probe indicate harness wire color.
- Connector numbers in a single circle (e.g. M33) indicate harness connectors.
- Connector numbers in a double circle indicate component connectors.

# HOW TO FOLLOW TROUBLE DIAGNOSES

Harness Wire Color and Connector Number Indication (Cont'd)

## TYPE 2: HARNESS WIRE COLOR AND CONNECTOR NUMBER ARE SHOWN IN TEXT

=NEG10005S0302

### Example 1:

**2** CHECK INTAKE SENSOR CIRCUIT BETWEEN INTAKE SENSOR AND AUTO AMP. (LCU)

1. Disconnect auto amp. (LCU) harness connector.
2. Check circuit continuity between intake sensor harness connector M59 terminal No. 2 (GW) and auto amp. (LCU) harness connector M56 terminal No. 11 (GW).

OK or NG

### Example 2:

**POWER SUPPLY AND GROUND CIRCUIT CHECK**

**Power Supply Circuit Check**

=NCEL00-16807  
NCEL00-1680701

Terminals		Ignition switch position				
		(+)	(-)	OFF	ACC	ON
Connector	Terminal (Wire color)					
M40	37 (Y)	Ground	Battery voltage	Battery voltage	Battery voltage	Battery voltage
M41	1 (Y)	Ground	0V	0V	0V	Battery voltage

If NG, check the following.

- 7.5A fuse, No. 5, located in fuse block (J/B)
- 10A fuse, No. 11, located in fuse block (J/B)
- Harness for open or short between fuse and combination meter

Connector number    Wire color

SGI144A

## Key to Symbols Signifying Measurements or Procedures

NEG10005S02

Symbol	Symbol explanation	Symbol	Symbol explanation
	Check after disconnecting the connector to be measured.		Procedure with Generic Scan Tool (GST, OBD-II scan tool)
	Check after connecting the connector to be measured.		Procedure without CONSULT-II or GST
	Insert key into ignition switch.		A/C switch is OFF.
	Remove key from ignition switch.		A/C switch is ON.
	Turn ignition switch to OFF position.		REC switch is ON.
	Turn ignition switch to ON position.		REC switch is OFF.

# HOW TO FOLLOW TROUBLE DIAGNOSES

Key to Symbols Signifying Measurements or Procedures (Cont'd)

Symbol	Symbol explanation	Symbol	Symbol explanation
	Turn ignition switch to "START" position.		DEF switch is ON.
	Turn ignition switch from OFF to ACC position.		VENT switch is ON.
	Turn ignition switch from ACC to OFF position.		Fan switch is ON. (At any position except for OFF position)
	Turn ignition switch from OFF to ON position.		Fan switch is OFF.
	Turn ignition switch from ON to OFF position.		Apply positive voltage from battery with fuse directly to components.
	Do not start engine, or check with engine stopped.		Drive vehicle.
	Start engine, or check with engine running.		Disconnect battery negative cable.
	Apply parking brake.		Depress brake pedal.
	Release parking brake.		Release brake pedal.
	Check after engine is warmed up sufficiently.		Depress accelerator pedal.
	Voltage should be measured with a voltmeter.		Release accelerator pedal.
	Circuit resistance should be measured with an ohmmeter.	<p>Pin terminal check for SMJ type ECM and TCM connectors.  <b>For details regarding the terminal arrangement, refer to the foldout page.</b></p>	
	Current should be measured with an ammeter.		
	Procedure with CONSULT-II		
	Procedure without CONSULT-II		

GI  
MA  
EM  
LC  
EC  
FE  
CL  
MT  
AT  
TF  
PD  
AX  
SU  
BR  
ST  
RS  
BT  
HA  
SC  
EL  
IDX

# CONSULT-II CHECKING SYSTEM

Function and System Application

## Function and System Application

NEGI0006S01

Diagnostic test mode	Function	Engine	A/T	Air bag	ABS
Work support	This mode enables a technician to adjust some devices faster and more accurately by following the indications on CONSULT-II.	x	—	—	—
DTC work support	Select the operating condition to confirm Diagnosis Trouble Codes.	—	x	—	—
Self-diagnostic results	Self-diagnostic results can be read and erased quickly.	x	x	x	x
Trouble diagnostic record	Current self-diagnostic results and all trouble diagnostic records previously stored can be read.	—	—	x	—
ECU discriminated No.	Classification number of a replacement ECU can be read to prevent an incorrect ECU from being installed.	—	—	x	—
Data monitor	Input/Output data in the ECU (ECM) can be read.	x	x	—	x
Data monitor (Spec.)	The specified values will be displayed when an OK/NG judgment is difficult for the DATA MONITOR items by Bar Chart and Line Graph.	x	—	—	—
Active test	Diagnostic Test Mode in which CONSULT-II drives some actuators apart from the ECUs and also shifts some parameters in a specified range.	x	—	—	x
SRT & DTC confirmation	The results of SRT (System Readiness Test) and the self-diagnosis status/result can be confirmed.	x	x*	—	—
ECU (ECM) part number	ECU (ECM) part number can be read.	x	x	—	x

x: Applicable

\*: For VG33E engine

## Nickel Metal Hydride Battery Replacement

NEGI0006S02

CONSULT-II contains a Nickel Metal Hydride battery. When replacing the battery obey the following:

### **WARNING:**

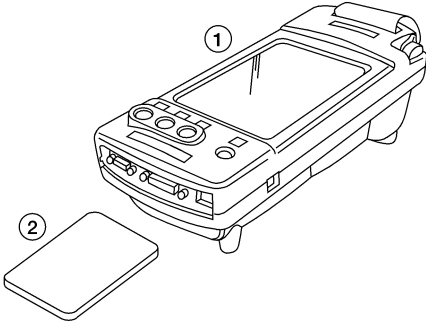
**Replace the Nickel Metal Hydride battery with genuine CONSULT-II battery only. Use of another battery may present a risk of fire or explosion. The battery may present a fire or chemical burn hazard if mistreated. Do not recharge, disassemble, or dispose of in fire.**

**Keep the battery out of reach of children and discard used battery conforming to the local regulations.**

## Checking Equipment

=NEG10006S03

**When ordering the below equipment, contact your NISSAN distributor.**

Tool name	Description
<p><b>NISSAN CONSULT-II</b></p> <p>① CONSULT-II unit (Tester internal soft: Resident Version 3.2.0) and accessories</p> <p>② Program card AED00A-1 (Version 4.11)</p> <p>For details, refer to Consult-II Operation Manual.</p>	 <p style="text-align: left; margin-top: 20px;">AGI123</p>

## Loading Procedure

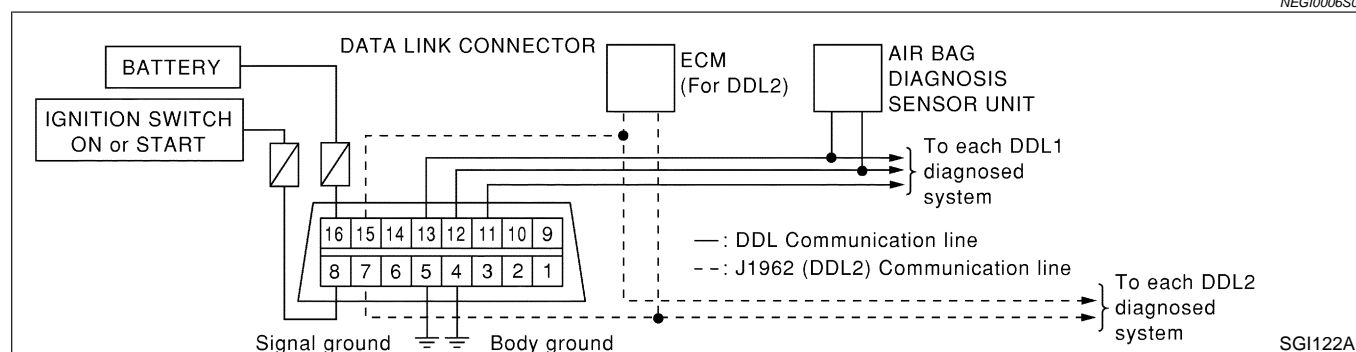
NEG10006S04

**NOTE:**

- The CONSULT-II must be used in conjunction with a program card. CONSULT-II does not require loading (Initialization) procedure.
- Be sure the CONSULT-II is turned off before installing or removing a program card.

## CONSULT-II Data Link Connector (DLC) Circuit

NEG10006S05



## INSPECTION PROCEDURE

NEG10006S0501

If the CONSULT-II cannot diagnose the system properly, check the following items.

Symptom	Check item
CONSULT-II cannot access any system.	<ul style="list-style-type: none"> <li>● CONSULT-II DLC power supply circuit (Terminal 8) and ground circuit (Terminal 4) (For detailed circuit, refer to <b>EC-615</b> (KA24DE), <b>EC-1216</b> (VG33E) or <b>EC-1819</b> (VG33ER), "MIL &amp; Link Connectors Wiring Diagram".</li> <li>● CONSULT-II DDL cable</li> </ul>
CONSULT-II cannot access individual system. (Other systems can be accessed.) Refer to "Function and System Application", GI-38 for the systems supported by CONSULT-II.	<ul style="list-style-type: none"> <li>● CONSULT-II program card (Check the appropriate CONSULT-II program card for the system. Refer to "Checking Equipment", GI-39.</li> <li>● Power supply and ground circuit for the control unit of the system (For detailed circuit, refer to wiring diagram for each system.)</li> <li>● Open or short circuit between the system and CONSULT-II DLC (For detailed circuit, refer to wiring diagram for each system.)</li> </ul>

**NOTE:**

The DDL1 and DDL2 circuits from DLC pins 12, 13, 14 and 15 may be connected to more than one system. A short in a DDL circuit connected to a control unit in one system may affect CONSULT-II access to other systems.

GI

MA

EM

LC

EC

FE

CL

MT

AT

TF

PD

AX

SU

BR

ST

RS

BT

HA

SC

EL

EL

IDX

# IDENTIFICATION INFORMATION

Model Variation

## Model Variation

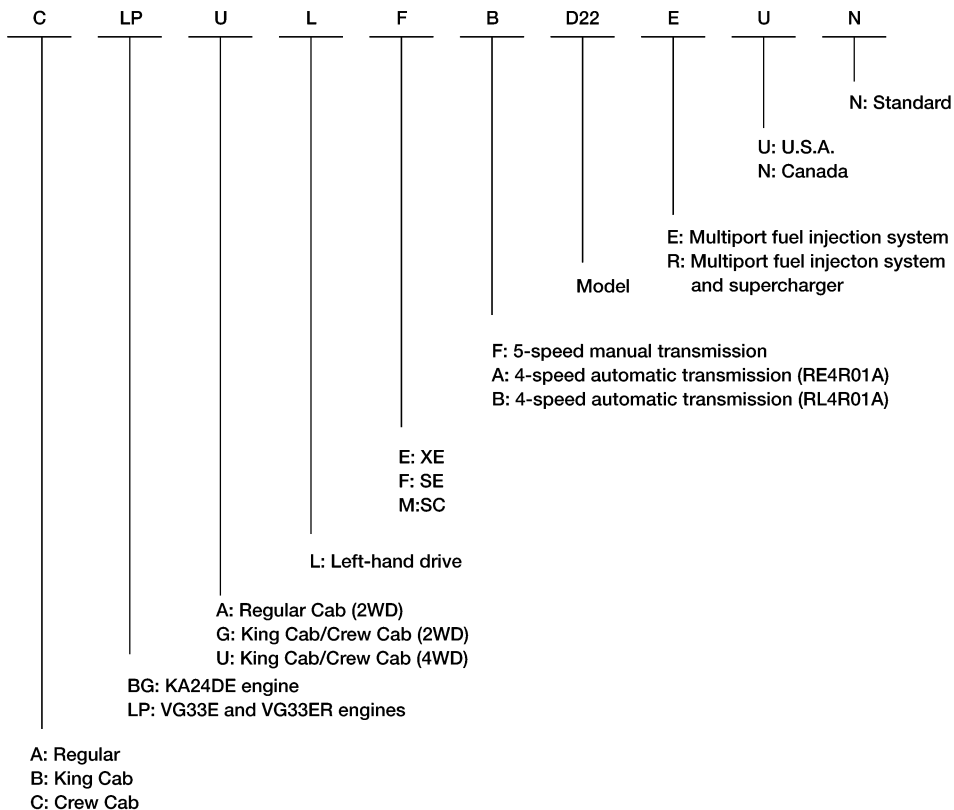
NEGI0007S01

Drive Type	Body	Engine	Transmission	Grade	Model		
					U.S.A.	Canada	
4x2	Regular Cab	KA24DE	Manual	XE	ABGALEFD22EUN	N/A	
			Auto	XE	ABGALEBD22EUN	N/A	
	King Cab		Manual	XE	BBGGLEFD22EUN	BBGGLEFD22ENN	
			Auto	XE	BBGGLEBD22EUN	BBGGLEBD22ENN	
	King Cab	VG33E	Manual	XE	BLPGLFD22EUN	BLPGLFD22ENN	
				SE	BLPGLFFD22EUN	N/A	
		Auto	XE	BLPGLFAD22EUN	BLPGLFAD22ENN		
			SE	BLPGLFAD22EUN	N/A		
		Crew Cab	Manual	XE	CLPGLFD22EUN	CLPGLFD22ENN	
				SE	CLPGLFFD22EUN	CLPGLFFD22ENN	
	Auto	XE	CLPGLFAD22EUN	CLPGLFAD22ENN			
		SE	CLPGLFAD22EUN	CLPGLFAD22ENN			
	King Cab	VG33ER	Manual	SC	BLPGLMFD22RUN	N/A	
			Auto	SC	BLPGLMAD22RUN	N/A	
	Crew Cab	Manual	SC	CLPGLMFD22RUN	CLPGLMFD22RNN		
			Auto	SC	CLPGLMAD22RUN	CLPGLMAD22RNN	
	4X4	King Cab	VG33E	Manual	XE	BLPULEFD22EUN	BLPULEFD22ENN
					SE	BLPULFFD22EUN	N/A
Auto				XE	BLPULEAD22EUN	BLPULEAD22ENN	
				SE	BLPULFAD22EUN	N/A	
Crew Cab		Manual		XE	CLPULEFD22EUN	CLPULEFD22ENN	
				SE	CLPULFFD22EUN	CLPULFFD22ENN	
		Auto		XE	CLPULEAD22EUN	CLPULEAD22ENN	
				SE	CLPULFAD22EUN	CLPULFAD22ENN	
King Cab		VG33ER	Manual	SC	BLPULMFD22RUN	N/A	
			Auto	SC	BLPULMAD22RUN	N/A	
Crew Cab		Manual	SC	CLPULMFD22RUN	CLPULMFD22RNN		
			Auto	SC	CLPULMAD22RUN	CLPULMAD22RNN	



# IDENTIFICATION INFORMATION

Model Variation (Cont'd)



GI

MA

EM

LC

EC

FE

CL

MT

AT

WG1030

TF

PD

AX

SU

BR

ST

RS

BT

HA

SC

EL

EL

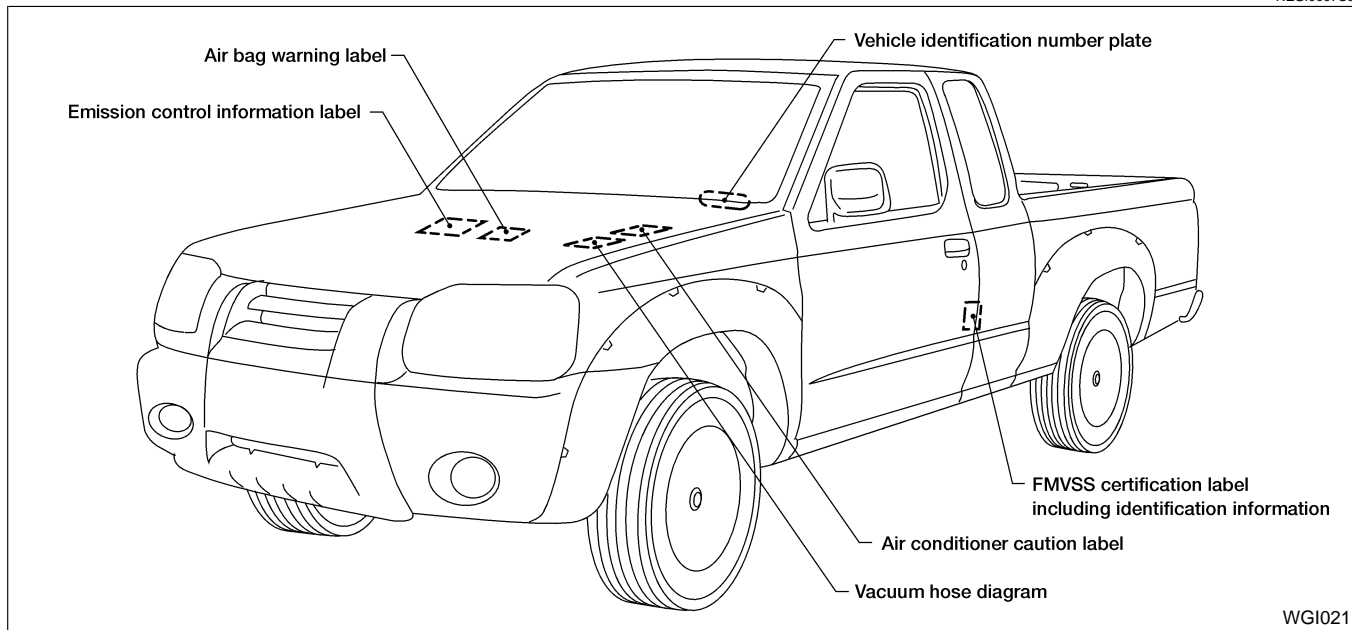
IDX

# IDENTIFICATION INFORMATION

Identification Number

## Identification Number

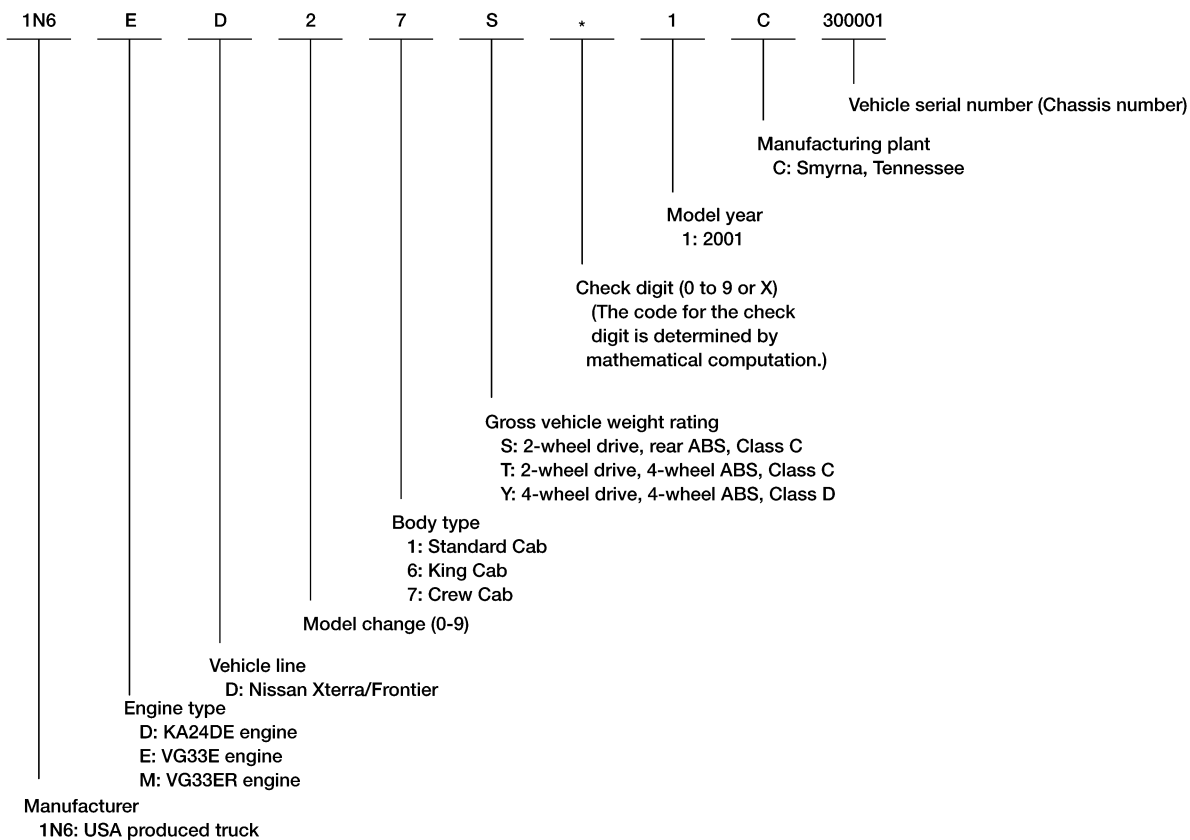
=NEG1007S02



WG1021

## VEHICLE IDENTIFICATION NUMBER ARRANGEMENT

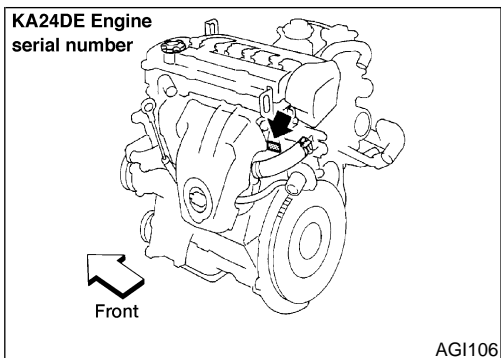
NEG1007S0201



WG1041

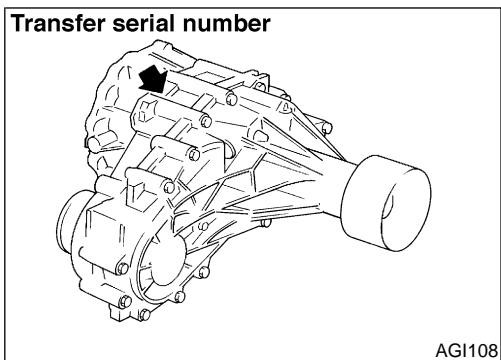
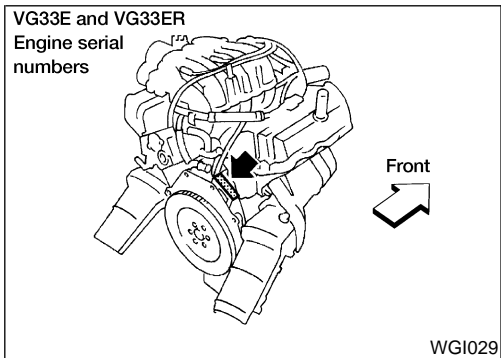
# IDENTIFICATION INFORMATION

Identification Number (Cont'd)



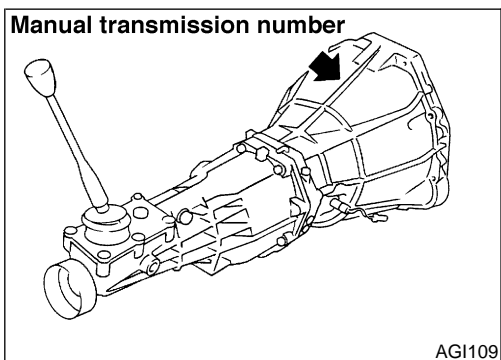
## ENGINE SERIAL NUMBER

NEGI0007S0203



## TRANSFER SERIAL NUMBER

NEGI0007S0207



## MANUAL TRANSMISSION NUMBER

NEGI0007S0210

GI

MA

EM

LC

EC

FE

CL

MT

AT

TF

PD

AX

SU

BR

ST

RS

BT

HA

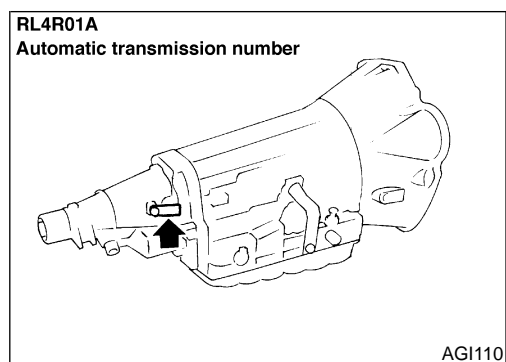
SC

EL

IDX

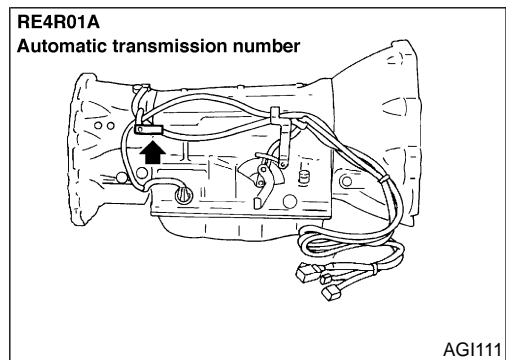
# IDENTIFICATION INFORMATION

Identification Number (Cont'd)



## AUTOMATIC TRANSMISSION NUMBER

NEG10007S0205



## Dimensions

NEG10007S03  
Unit: mm (in)

Drive Type	2WD			4WD	
	Regular Cab	King Cab	Crew Cab	King Cab	Crew Cab
Body					
Wheelbase	Short	Long	Long	Long	Long
Overall Length*1	4699 (185)	4999 (196.8)	4906 (193.1)	4999 (196.8)	4906 (193.1)
Overall Width	1720 (67.7)	1664 (65.5)*5 1808 (71.2)*4	1664 (65.5)*5 1808 (71.2)*4	1664 (65.5)*5 1808 (71.2)*4	1664 (65.5)*5 1808 (71.2)*4
Overall Height	1613 (63.5)	1605 (63.2)*2 1694 (66.7)*3 1687 (66.4)*6	1687 (66.4)	1694 (66.7)*3 1687 (66.4)*6	1687 (66.4)
Front Tread	1395 (54.9)	1395 (54.9)*2 1525 (60)*3, *6	1525 (60)	1525 (60)	1525 (60)
Rear Tread	1390 (54.7)	1390 (54.7)*2 1507 (59.3)*3, *6	1507 (59.3)	1507 (59.3)	1507 (59.3)
Wheelbase	2648 (104.3)	2950 (116.1)	2950 (116.1)	2950 (116.1)	2950 (116.1)
Minimum Running Ground Clearance (at Front Suspension)	N/A	N/A*2 N/A*6 229 (9.0)*7 246 (9.7)*8	209 (8.2)*7 226 (8.9)*6, *8	201 (7.9)*6 229 (9.0)*7 244 (9.6)*8	209 (8.2)*7 226 (8.9)*6, *8

\*1: The step bumper adds 175 mm (6.9 in) to the overall length.

\*2: XE with KA24DE engine.

\*3: XE with VG33E engine and SE models.

\*4: With over-fender.

\*5: Without over-fender.

\*6: SC with VG33ER engine.

\*7: XE with VG33E engine.

\*8: SE models.

# IDENTIFICATION INFORMATION

*Wheels & Tires*

## Wheels & Tires

NEG10007S04

Drive Type	Grade	Road wheel	Tire	Spare tire size
4x2	XE	15x6JJ Steel, 15x7JJ Alloy	P225/70R15	T135/90D16
		15x7JJ Steel, 15x7JJ Alloy	P265/70R15*	P265/70R15*
	SE	16x7JJ Alloy	P255/65R16	P255/65R16
	SC	17x8JJ Alloy	P265/55R17	P265/55R17
4x4	XE	15x7JJ Steel, 15x7JJ Alloy	P265/70R15	P265/70R15
	SE	16x7JJ Alloy	P265/70R16	P265/70R16
	SC	17x8JJ Alloy	P265/55R17	P265/55R17

\*: Not available with KA24DE engine.

**GI**

MA

EM

LC

EC

FE

CL

MT

AT

TF

PD

AX

SU

BR

ST

RS

BT

HA

SC

EL

IDX

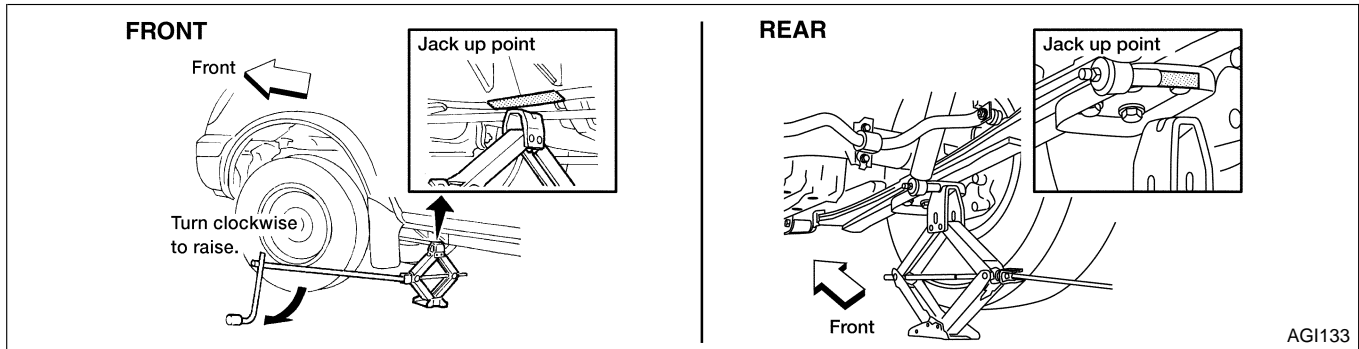
## LIFTING POINTS AND TOW TRUCK TOWING

### WARNING:

- Never get under the vehicle while it is supported only by the jack. Always use safety stands to support the frame when you have to get under the vehicle.
- Place wheel chocks at both front and back of the wheels on the ground.

### Pantograph Jack

NEG10008S01

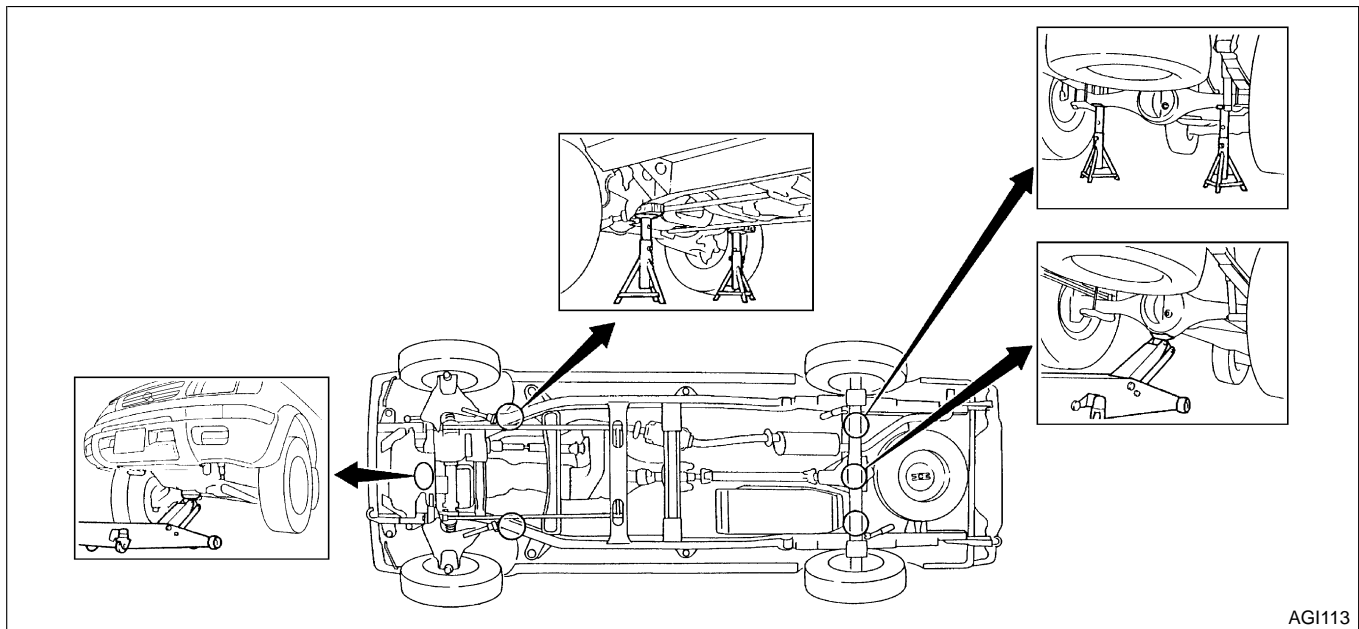


### Garage Jack and Safety Stand

NEG10008S02

### CAUTION:

Place a wooden or rubber block between safety stand and vehicle body when the supporting body is flat.



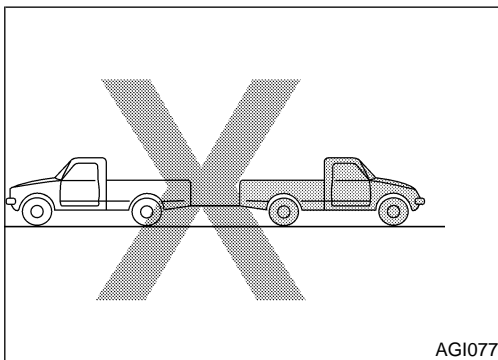
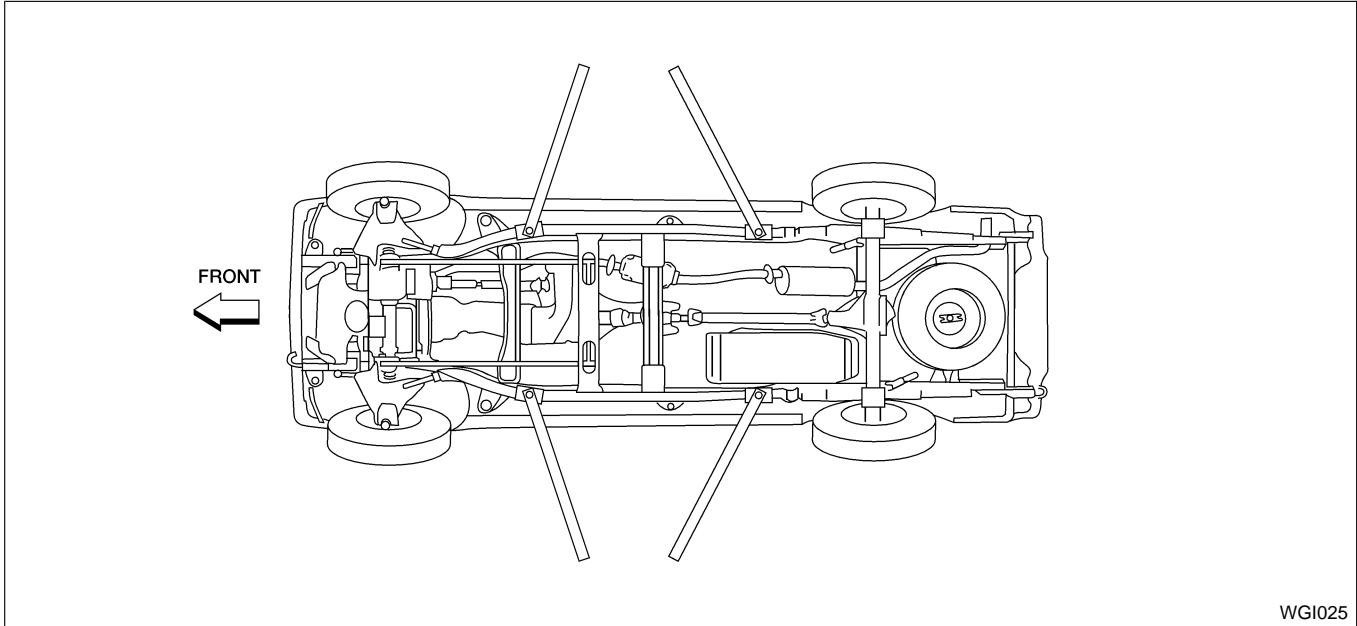
## 2-pole Lift

=NEG10008S03

### WARNING:

When lifting the vehicle, open the lift arms as wide as possible and ensure that the front and rear of the vehicle are well balanced.

When setting the lift arm, do not allow the arm to contact the brake tubes, brake cable, or fuel lines.



## Tow Truck Towing

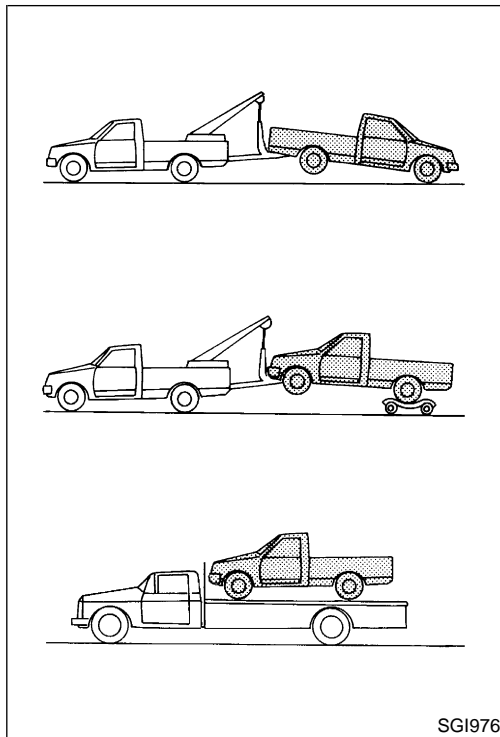
NEG10008S04

### CAUTION:

- All applicable State or Provincial (in Canada) laws and local laws regarding the towing operation must be obeyed.
- It is necessary to use proper towing equipment to avoid possible damage during towing operation. Towing is in accordance with Towing Procedure Manual at dealer.
- Always attach safety chains before towing.
- When towing, make sure that the transmission, steering system and power train are in good order. If any unit is damaged, dollies must be used.
- Never tow an automatic transmission model from the rear (i.e., backward) with four wheels on the ground as this may cause serious and expensive damage to the transmission.

# LIFTING POINTS AND TOW TRUCK TOWING

Tow Truck Towing (Cont'd)



## 2-WHEEL DRIVE MODELS

NEG1000BS0406

NISSAN recommends that vehicle be towed with the driving (rear) wheels off the ground as illustrated.

### CAUTION:

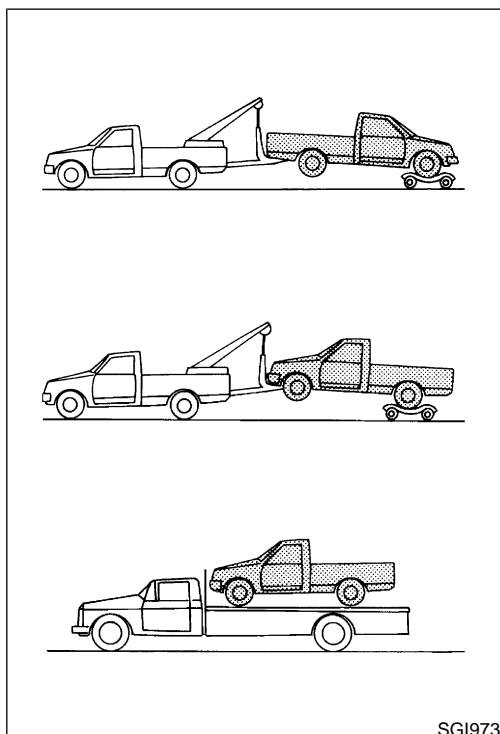
- When towing with the front wheels on the ground: Turn the ignition key to the OFF position and move the transmission shift lever to the neutral position. On automatic transmission models, to move the selector lever to N (neutral) position, turn the ignition key to OFF position and secure the steering wheel in a straight ahead position with a rope or similar device. Never place the ignition key in the LOCK position. This will result in damage to the steering lock mechanism.
- When towing manual transmission models with the rear wheels on the ground (if you do not use a towing dollies): Always release the parking brake and move the transmission shift lever to the neutral position.

Observe the following restricted towing speeds and distances.

**Speed: Below 95 km/h (60 MPH)**

**Distance: Less than 800 km (500 miles)**

If the speed or distance must necessarily be greater, remove the propeller shaft before hand to prevent damage to the transmission. NISSAN recommends that the vehicle be towed with the driving (front) wheels off the ground as illustrated.



## 4-WHEEL DRIVE MODELS

NEG1000BS0407

NISSAN recommends that a dolly be used as illustrated when towing 4-wheel drive models.

### CAUTION:

- When towing with the front wheels on the ground or rear wheels on the ground (If you do not use towing dollies): Set the free-running hubs to the free position and move the transfer case shift lever into the "2H" position.
- When towing with the front on the ground: Turn the ignition key to the OFF position and secure the steering wheel in a straight ahead position with a rope or similar device. Never place the ignition key in the LOCK position. This will result in damage to the steering lock mechanism.
- When towing manual transmission models with the rear wheels on the ground: Always release the parking brake and move the transmission shift lever to the neutral position.

Observe the following restricted towing speeds and distances.

**Speed: Below 95 km/h (60 MPH)**

**Distance: Less than 800 km (500 miles)**

If the speed or distance must necessarily be greater, remove the propeller shaft before hand to prevent damage to the transmission.



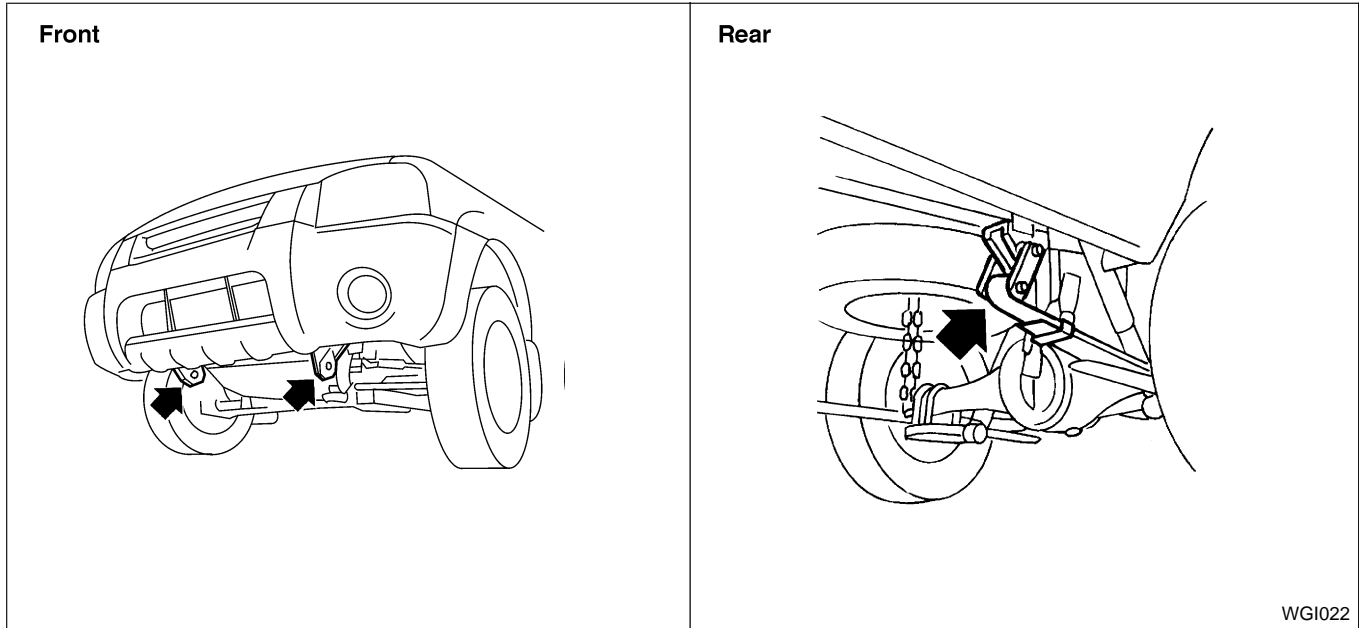
# LIFTING POINTS AND TOW TRUCK TOWING

Tow Truck Towing (Cont'd)

## TOWING POINT

Never tow the vehicle using only the towing points. To avoid damaging the vehicle body, use proper towing equipment when towing.

NEG10008S0409



WG1022

## VEHICLE RECOVERY (FREEING A STUCK VEHICLE)

NEG10008S0403

- Tow chains or cables must be attached only to the main structural members of the vehicle.
- Pulling devices should be routed so they do not touch any part of the suspension, steering, brake or cooling systems
- Always pull the cable straight out from the front or rear of the vehicle. Never pull the vehicle at a sideways angle.
- Pulling devices such as ropes or canvas straps are not recommended for use for vehicle towing or recovery.

GI

MA

EM

LC

EC

FE

CL

MT

AT

TF

PD

AX

SU

BR

ST

RS

BT

HA

SC

EL

IDX

# TIGHTENING TORQUE OF STANDARD BOLTS

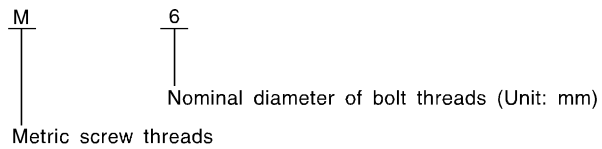
Grade	Bolt size	Bolt diameter * mm	Pitch mm	Tightening torque (Without lubricant)							
				Hexagon head bolt				Hexagon flange bolt			
				N·m	kg·m	ft·lb	in·lb	N·m	kg·m	ft·lb	in·lb
4T	M6	6.0	1.0	5.1	0.52	3.8	45.1	6.1	0.62	4.5	53.8
	M8	8.0	1.25	13	1.3	9	—	15	1.5	11	—
			1.0	13	1.3	9	—	16	1.6	12	—
	M10	10.0	1.5	25	2.5	18	—	29	3.0	22	—
			1.25	25	2.6	19	—	30	3.1	22	—
	M12	12.0	1.75	42	4.3	31	—	51	5.2	38	—
1.25			46	4.7	34	—	56	5.7	41	—	
M14	14.0	1.5	74	7.5	54	—	88	9.0	65	—	
7T	M6	6.0	1.0	8.4	0.86	6.2	74.6	10	1.0	7	87
	M8	8.0	1.25	21	2.1	15	—	25	2.5	18	—
			1.0	22	2.2	16	—	26	2.7	20	—
	M10	10.0	1.5	41	4.2	30	—	48	4.9	35	—
			1.25	43	4.4	32	—	51	5.2	38	—
	M12	12.0	1.75	71	7.2	52	—	84	8.6	62	—
1.25			77	7.9	57	—	92	9.4	68	—	
M14	14.0	1.5	127	13.0	94	—	147	15.0	108	—	
9T	M6	6.0	1.0	12	1.2	9	—	15	1.5	11	—
	M8	8.0	1.25	29	3.0	22	—	35	3.6	26	—
			1.0	31	3.2	23	—	37	3.8	27	—
	M10	10.0	1.5	59	6.0	43	—	70	7.1	51	—
			1.25	62	6.3	46	—	74	7.5	54	—
	M12	12.0	1.75	98	10.0	72	—	118	12.0	87	—
1.25			108	11.0	80	—	137	14.0	101	—	
M14	14.0	1.5	177	18.0	130	—	206	21.0	152	—	

\*: Nominal diameter

1) **Special parts are excluded.**

2) **This standard is applicable to bolts having the following marks embossed on the bolt head.**

Grade	Mark
4T	4
7T	7
9T	9



## SAE J1930 TERMINOLOGY LIST

SAE J1930 Terminology List

## SAE J1930 Terminology List

NEGI0010S01

All emission related terms used in this publication in accordance with SAE J1930 are listed. Accordingly, new terms, new acronyms/abbreviations and old terms are listed in the following chart.

NEW TERM	NEW ACRONYM / ABBREVIATION	OLD TERM	
Air cleaner	ACL	Air cleaner	GI
Barometric pressure	BARO	***	MA
Barometric pressure sensor-BCDD	BAROS-BCDD	BCDD	EM
Camshaft position	CMP	***	LC
Camshaft position sensor	CMPS	Crank angle sensor	EC
Canister	***	Canister	FE
Carburetor	CARB	Carburetor	CL
Charge air cooler	CAC	Intercooler	CL
Closed loop	CL	Closed loop	MT
Closed throttle position switch	CTP switch	Idle switch	AT
Clutch pedal position switch	CPP switch	Clutch switch	TF
Continuous fuel injection system	CFI system	***	PD
Continuous trap oxidizer system	CTOX system	***	AX
Crankshaft position	CKP	***	SU
Crankshaft position sensor	CKPS	***	BR
Data link connector	DLC	***	ST
Diagnostic test mode	DTM	Diagnostic mode	RS
Diagnostic test mode selector	DTM selector	Diagnostic mode selector	BT
Diagnostic test mode I	DTM I	Mode I	HA
Diagnostic test mode II	DTM II	Mode II	SC
Diagnostic trouble code	DTC	Malfunction code	EL
Direct fuel injection system	DFI system	***	EL
Distributor ignition system	DI system	Ignition timing control	EL
Early fuel evaporation-mixture heater	EFE-mixture heater	Mixture heater	EL
Early fuel evaporation system	EFE system	Mixture heater control	EL
Electrically erasable programmable read only memory	EEPROM	***	EL
Electronic ignition system	EI system	Ignition timing control	EL
Engine control	EC	***	EL
Engine control module	ECM	ECCS control unit	EL
Engine coolant temperature	ECT	Engine temperature	EL
Engine coolant temperature sensor	ECTS	Engine temperature sensor	EL
Engine modification	EM	***	EL
Engine speed	RPM	Engine speed	EL
Erasable programmable read only memory	EPROM	***	EL

# SAE J1930 TERMINOLOGY LIST

SAE J1930 Terminology List (Cont'd)

NEW TERM	NEW ACRONYM / ABBREVIATION	OLD TERM
Evaporative emission canister	EVAP canister	Canister
Evaporative emission system	EVAP system	Canister control solenoid valve
Exhaust gas recirculation valve	EGR valve	EGR valve
Exhaust gas recirculation control-BPT valve	EGRC-BPT valve	BPT valve
Exhaust gas recirculation control-solenoid valve	EGRC-solenoid valve	EGR control solenoid valve
Exhaust gas recirculation temperature sensor	EGRT sensor	Exhaust gas temperature sensor
EGR temperature sensor		
Flash electrically erasable programmable read only memory	FEEPROM	***
Flash erasable programmable read only memory	FEPROM	***
Flexible fuel sensor	FFS	***
Flexible fuel system	FF system	***
Fuel pressure regulator	***	Pressure regulator
Fuel pressure regulator control solenoid valve	***	PRVR control solenoid valve
Fuel trim	FT	***
Heated Oxygen sensor	HO2S	Exhaust gas sensor
Idle air control system	IAC system	Idle speed control
Idle air control valve-air regulator	IACV-air regulator	Air regulator
Idle air control valve-auxiliary air control valve	IACV-AAC valve	Auxiliary air control (AAC) valve
Idle air control valve-FICD solenoid valve	IACV-FICD solenoid valve	FICD solenoid valve
Idle air control valve-idle up control solenoid valve	IACV-idle up control solenoid valve	Idle up control solenoid valve
Idle speed control-FI pot	ISC-FI pot	FI pot
Idle speed control system	ISC system	***
Ignition control	IC	***
Ignition control module	ICM	***
Indirect fuel injection system	IFI system	***
Intake air	IA	Air
Intake air temperature sensor	IAT sensor	Air temperature sensor
Knock	***	Detonation
Knock sensor	KS	Detonation sensor
Malfunction indicator lamp	MIL	Check engine light
Manifold absolute pressure	MAP	***
Manifold absolute pressure sensor	MAPS	***
Manifold differential pressure	MDP	***

# SAE J1930 TERMINOLOGY LIST

SAE J1930 Terminology List (Cont'd)

NEW TERM	NEW ACRONYM / ABBREVIATION	OLD TERM
Manifold differential pressure sensor	MDPS	***
Manifold surface temperature	MST	***
Manifold surface temperature sensor	MSTS	***
Manifold vacuum zone	MVZ	***
Manifold vacuum zone sensor	MVZS	***
Mass air flow sensor	MAFS	Air flow meter
Mixture control solenoid valve	MC solenoid valve	Air-fuel ratio control solenoid valve
Multiport fuel injection system	MFI system	Fuel injection control
Nonvolatile random access memory	NVRAM	***
On board diagnostic system	OBD system	Self-diagnosis
Open loop	OL	Open loop
Oxidation catalyst	OC	Catalyst
Oxidation catalytic converter system	OC system	***
Oxygen sensor	O2S	Exhaust gas sensor
Park position switch	***	Park switch
Park/neutral position switch	PNP switch	Park/neutral switch Inhibitor switch Neutral position switch
Periodic trap oxidizer system	PTOX system	***
Positive crankcase ventilation	PCV	Positive crankcase ventilation
Positive crankcase ventilation valve	PCV valve	PCV valve
Powertrain control module	PCM	***
Programmable read only memory	PROM	***
Pulsed secondary air injection control solenoid valve	PAIRC solenoid valve	AIV control solenoid valve
Pulsed secondary air injection system	PAIR system	Air induction valve (AIV) control
Pulsed secondary air injection valve	PAIR valve	Air induction valve
Random access memory	RAM	***
Read only memory	ROM	***
Scan tool	ST	***
Secondary air injection pump	AIR pump	***
Secondary air injection system	AIR system	***
Sequential multiport fuel injection system	SFI system	Sequential fuel injection
Service reminder indicator	SRI	***
Simultaneous multiport fuel injection system	***	Simultaneous fuel injection
Smoke puff limiter system	SPL system	***
Supercharger	SC	***
Supercharger bypass	SCB	***

GI

MA

EM

LC

EC

FE

CL

MT

AT

TF

PD

AX

SU

BR

ST

RS

BT

HA

SC

EL

IDX

## SAE J1930 TERMINOLOGY LIST

SAE J1930 Terminology List (Cont'd)

NEW TERM	NEW ACRONYM / ABBREVIATION	OLD TERM
System readiness test	SRT	***
Thermal vacuum valve	TVV	Thermal vacuum valve
Three way catalyst	TWC	Catalyst
Three way catalytic converter system	TWC system	***
Three way + oxidation catalyst	TWC + OC	Catalyst
Three way + oxidation catalytic converter system	TWC + OC system	***
Throttle body	TB	Throttle chamber SPI body
Throttle body fuel injection system	TBI system	Fuel injection control
Throttle position	TP	Throttle position
Throttle position sensor	TPS	Throttle sensor
Throttle position switch	TP switch	Throttle switch
Torque converter clutch solenoid valve	TCC solenoid valve	Lock-up cancel solenoid Lock-up solenoid
Transmission control module	TCM	A/T control unit
Turbocharger	TC	Turbocharger
Vehicle speed sensor	VSS	Vehicle speed sensor
Volume air flow sensor	VAFS	Air flow meter
Warm up oxidation catalyst	WU-OC	Catalyst
Warm up oxidation catalytic converter system	WU-OC system	***
Warm up three way catalyst	WU-TWC	Catalyst
Warm up three way catalytic converter system	WU-TWC system	***
Wide open throttle position switch	WOTP switch	Full switch