

ENGINE LUBRICATION & COOLING SYSTEMS

SECTION LC

GI
MA
EM

LC

EC

FE

CL

MT

AT

TF

PD

AX

SU

BR

ST

RS

BT

HA

SC

EL

IDX

CONTENTS

KA24DE
ENGINE LUBRICATION SYSTEM3
Precautions3
SUPPLEMENTAL RESTRAINT SYSTEM (SRS)
"AIR BAG" AND "SEAT BELT PRE-TENSIONER"3
LIQUID GASKET APPLICATION PROCEDURE3
Preparation4
SPECIAL SERVICE TOOLS4
Lubrication Circuit5
Oil Pressure Check6
Oil Pump6
REMOVAL AND INSTALLATION6
REGULATOR VALVE INSPECTION7
OIL FILTER7
OIL PUMP INSPECTION7
Service Data and Specifications (SDS)8
OIL PRESSURE CHECK8
REGULATOR VALVE8
OIL PUMP8
ENGINE COOLING SYSTEM9
Precautions9
SUPPLEMENTAL RESTRAINT SYSTEM (SRS)
"AIR BAG" AND "SEAT BELT PRE-TENSIONER"9
LIQUID GASKET APPLICATION PROCEDURE9
Preparation10
SPECIAL SERVICE TOOLS10
Cooling Circuit10
System Check11
CHECKING COOLING SYSTEM HOSES11
CHECKING RADIATOR11
CHECKING COOLING SYSTEM FOR LEAKS11
CHECKING RADIATOR CAP12
Water Pump12
REMOVAL12
INSPECTION12
INSTALLATION13
Thermostat13
REMOVAL13
INSPECTION13
INSTALLATION13

Radiator14	CL
REMOVAL AND INSTALLATION14	
COMPONENTS15	MT
INSPECTION15	
Cooling Fan (Crankshaft driven)16	
REMOVAL AND INSTALLATION16	AT
INSPECTION16	
Refilling Engine Coolant16	
Overheating Cause Analysis17	TF
Service Data and Specifications (SDS)18	
THERMOSTAT18	PD
RADIATOR18	
VG33E AND VG33ER	
ENGINE LUBRICATION SYSTEM19	AX
Precautions19	
SUPPLEMENTAL RESTRAINT SYSTEM (SRS)	SU
"AIR BAG" AND "SEAT BELT PRE-TENSIONER"19	
LIQUID GASKET APPLICATION PROCEDURE19	BR
Preparation20	
SPECIAL SERVICE TOOLS20	
Lubrication Circuit20	ST
Oil Pressure Check21	
Oil Pump21	
REMOVAL AND INSTALLATION21	RS
DISASSEMBLY AND ASSEMBLY22	
INSPECTION23	
REGULATOR VALVE INSPECTION23	BT
OIL FILTER23	
OIL FILTER BRACKET24	
Service Data and Specifications (SDS)25	HA
OIL PRESSURE CHECK25	
REGULATOR VALVE25	SC
OIL PUMP25	
ENGINE COOLING SYSTEM26	
Precautions26	EL
SUPPLEMENTAL RESTRAINT SYSTEM (SRS)	
"AIR BAG" AND "SEAT BELT PRE-TENSIONER"26	
LIQUID GASKET APPLICATION PROCEDURE26	IDX
Preparation27	

CONTENTS (Cont'd)

SPECIAL SERVICE TOOLS	27	INSTALLATION.....	31
Cooling Circuit	27	Radiator	32
System Check.....	27	REMOVAL AND INSTALLATION.....	32
CHECKING COOLING SYSTEM HOSES.....	27	COMPONENTS	32
CHECKING RADIATOR CAP	28	INSPECTION.....	33
CHECKING RADIATOR.....	28	Cooling Fan (Crankshaft driven)	33
CHECKING COOLING SYSTEM FOR LEAKS.....	28	REMOVAL AND INSTALLATION.....	33
Water Pump.....	29	INSPECTION.....	33
REMOVAL.....	29	Refilling Engine Coolant	35
INSPECTION.....	30	Overheating Cause Analysis	35
INSTALLATION.....	30	Service Data and Specifications (SDS).....	36
Thermostat.....	30	THERMOSTAT	36
REMOVAL.....	30	RADIATOR	36
INSPECTION.....	31		

Precautions

SUPPLEMENTAL RESTRAINT SYSTEM (SRS) "AIR BAG" AND "SEAT BELT PRE-TENSIONER"

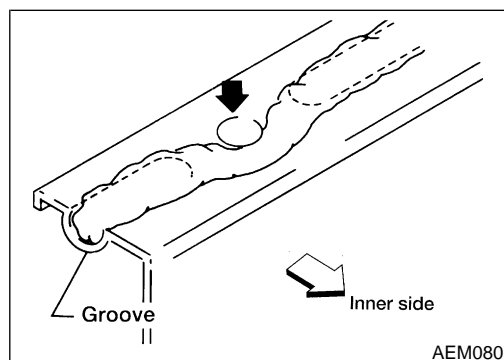
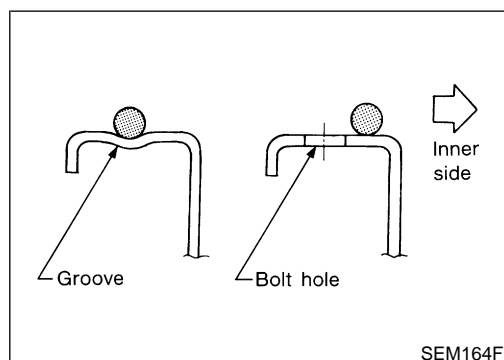
The Supplemental Restraint System such as "AIR BAG" and "SEAT BELT PRE-TENSIONER" used along with a seat belt, helps to reduce the risk or severity of injury to the driver and front passenger in a frontal collision. The Supplemental Restraint System consists of air bag modules (located in the center of the steering wheel and in the instrument panel on the passenger side), seat belt pre-tensioners, a diagnosis sensor unit, warning lamp, wiring harness, and spiral cable.

The vehicle (except Crew Cab model) is equipped with a passenger air bag deactivation switch. Because no rear seat exists where a rear-facing child restraint can be placed, the switch is designed to turn off the passenger air bag so that a rear-facing child restraint can be used in the front passenger seat. The switch is located in the center of the instrument panel, near the ashtray. When the switch is turned to the ON position, the passenger air bag is enabled and could inflate in a frontal collision. When the switch is turned to the OFF position, the passenger air bag is disabled and will not inflate in a frontal collision. A passenger air bag OFF indicator on the instrument panel lights up when the passenger air bag is switched OFF. The driver air bag always remains enabled and is not affected by the passenger air bag deactivation switch.

Information necessary to service the system safely is included in the **RS section** of this Service Manual.

WARNING:

- To avoid rendering the SRS inoperative, which could increase the risk of personal injury or death in the event of a collision which would result in air bag inflation, all maintenance should be performed by an authorized NISSAN dealer.
- Improper maintenance, including incorrect removal and installation of the SRS, can lead to personal injury caused by unintentional activation of the system. For removal of Spiral Cable and Air Bag Module, see the RS section.
- Do not use electrical test equipment on any circuit related to the SRS unless instructed to in this Service Manual. Spiral cable and wiring harnesses (except "SEAT BELT PRE-TENSIONER") covered with yellow insulation either just before the harness connectors or for the complete harness are related to the SRS.
- The vehicle (except Crew Cab model) is equipped with a passenger air bag deactivation switch which can be operated by the customer. When the passenger air bag is switched OFF, the passenger air bag is disabled and will not inflate in a frontal collision. When the passenger air bag is switched ON, the passenger air bag is enabled and could inflate in a frontal collision. After SRS maintenance or repair, make sure the passenger air bag deactivation switch is in the same position (ON or OFF) as when the vehicle arrived for service.



LIQUID GASKET APPLICATION PROCEDURE

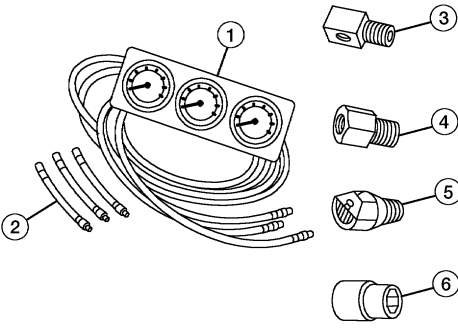
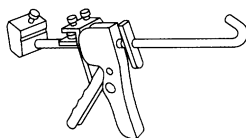
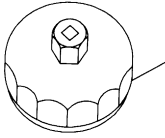
1. Use a scraper to remove all traces of old liquid gasket from mating surfaces and grooves. Also, completely clean any oil from these areas.
2. Apply a continuous bead of liquid gasket to mating surfaces. Use Genuine RTV Silicone Sealant Part No. 999MP-A7007 or equivalent.
 - For oil pan, be sure liquid gasket diameter is 3.5 to 4.5 mm (0.138 to 0.177 in).
 - For areas except oil pan, be sure liquid gasket diameter is 2.0 to 3.0 mm (0.079 to 0.118 in).
3. Apply liquid gasket around the inner side of bolt holes (unless otherwise specified).
4. Assembly should be done within 5 minutes after coating.
5. Wait at least 30 minutes before refilling engine oil and engine coolant.

Preparation

SPECIAL SERVICE TOOLS

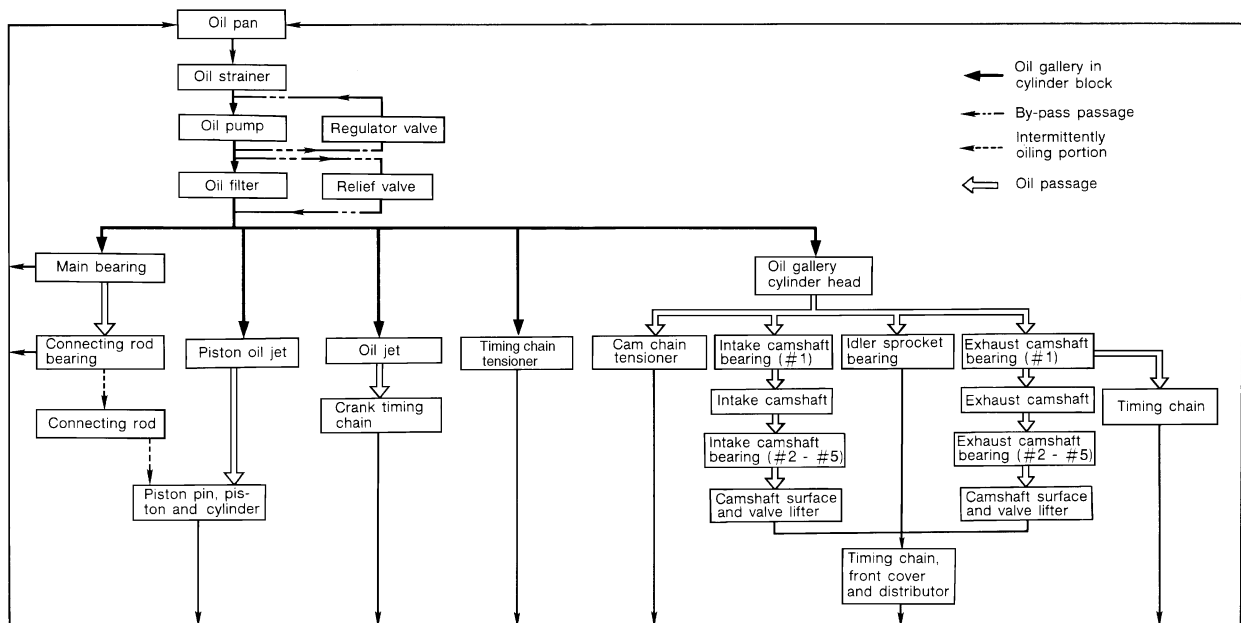
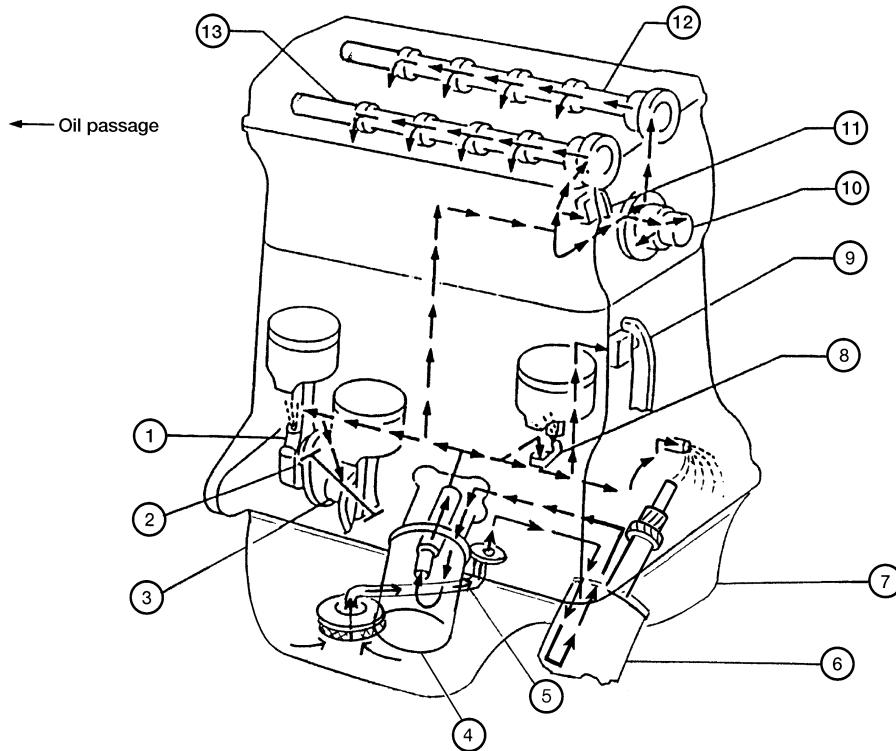
=NELC0142

The actual shapes of Kent-Moore tools may differ from those of special service tools illustrated here.

Tool number (Kent-Moore No.) Tool name	Description	
(J34301-C) Oil pressure gauge set 1: (J34301-1) Oil pressure gauge 2: (J34301-2) Hoses 3: (J34298) Adapter 4: (J34282-1) Adapter 5: (790-301-1230-A) 60° adapter 6: (J34301-15) Square socket	 <p style="text-align: left; margin-top: 10px;">AAT896</p>	Measuring oil pressure Maximum measuring range: 1,379 kPa (14 kg/cm², 200 psi)
WS39930000 (—) Tube presser	 <p style="text-align: left; margin-top: 10px;">NT052</p>	Pressing the tube of liquid gasket
KV10115801 (J38956) Oil filter wrench	 <p style="text-align: left; margin-top: 5px;">14 faces, Inner span: 64.3 mm (2.531 in) (Face to opposite face)</p> <p style="text-align: left; margin-top: 10px;">NT362</p>	Removing oil filter

Lubrication Circuit

NELC0143



ALC116

- | | | |
|---------------------------|---------------------------|----------------------------------|
| 1. Connecting rod | 6. Oil pump | 10. Idler sprocket |
| 2. Connecting rod bearing | 7. Oil pan | 11. Upper timing chain tensioner |
| 3. Main bearing | 8. Piston oil jet | 12. Exhaust camshaft |
| 4. Oil filter | 9. Timing chain tensioner | 13. Intake camshaft |
| 5. Oil strainer | | |

GI

MA

EM

LC

EC

FE

CL

MT

AT

TF

PD

AX

SU

BR

ST

RS

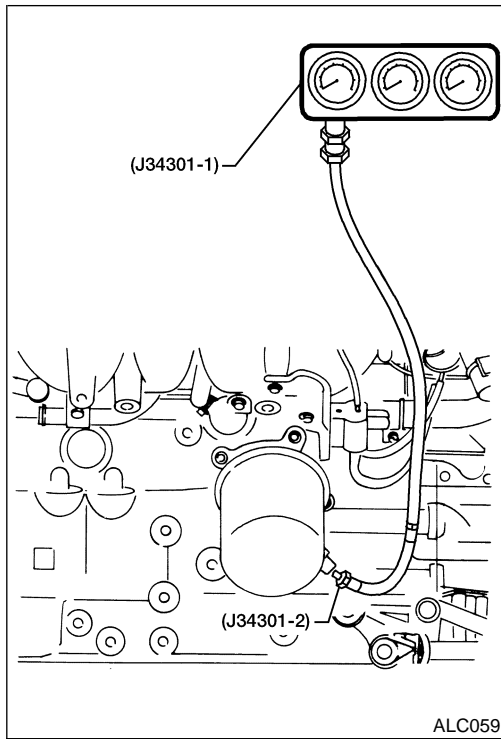
BT

HA

SC

EL

IDX



Oil Pressure Check

NELC0144

WARNING:

- Be careful not to burn yourself, as the engine and oil may be hot.
- For M/T models, put gearshift lever in Neutral “N” position. For A/T models, put selector lever in Park “P” position.

1. Check oil level.
2. Remove oil pressure switch.
3. Install pressure gauge.
4. Start engine and warm it up to normal operating temperature.
5. Check oil pressure with engine running under no-load.

Engine speed	Approximate discharge pressure
Idle speed	More than 78 kPa (0.8 kg/cm ² , 11 psi)
3,000 rpm	412 - 481 kPa (4.2 - 4.9 kg/cm ² , 60 - 70 psi)

- If difference is extreme, check oil passage and oil pump for oil leaks.

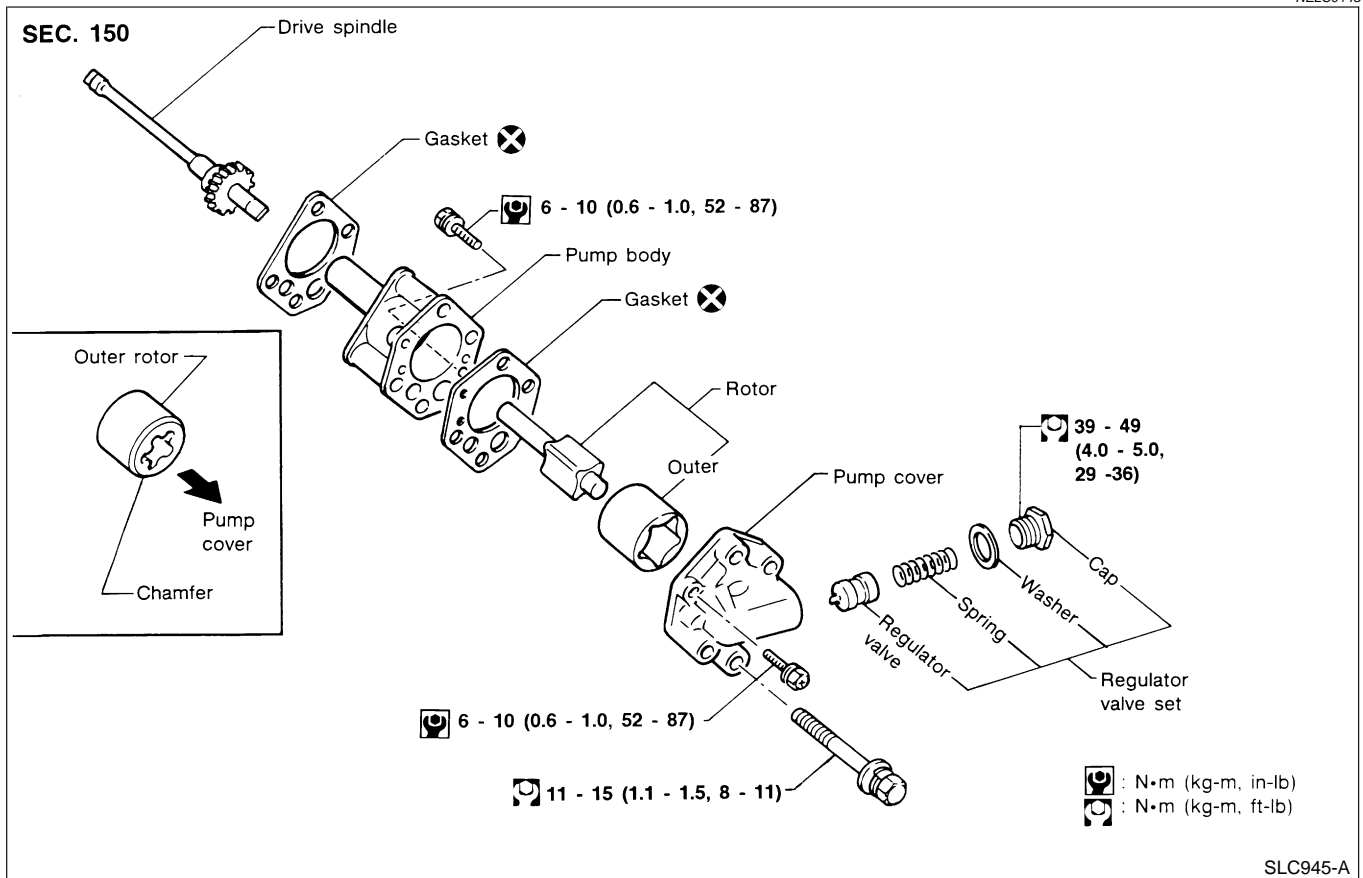
6. Install oil pressure switch with sealant.

: 12.25 – 17.25 N·m (1.3 – 1.7 kg·m, 9 – 12 ft·lb)

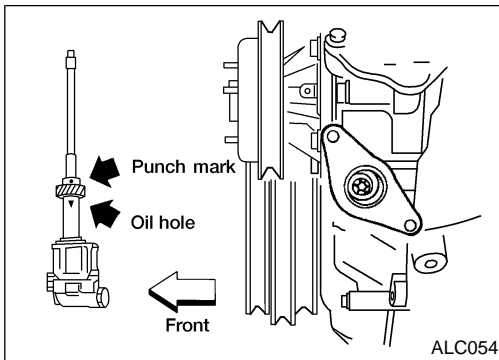
Oil Pump

REMOVAL AND INSTALLATION

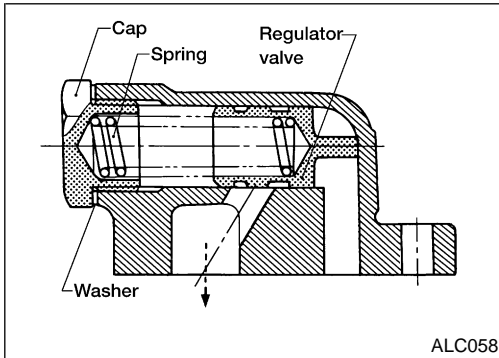
NELC0145



SLC945-A



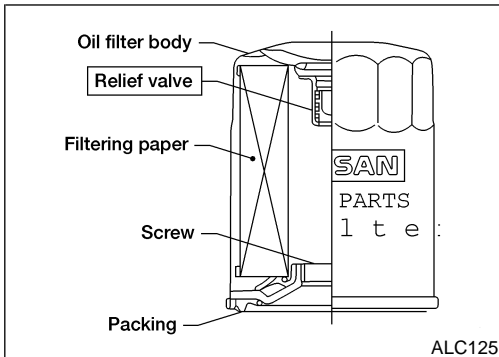
- Always replace with new oil seal and gasket.
- When removing oil pump, turn crankshaft so that No. 1 piston is at TDC on its compression stroke.
- When installing oil pump, apply engine oil to gears, then align punch mark on drive spindle and oil hole on oil pump.



REGULATOR VALVE INSPECTION

NELC0146

1. Visually inspect components for wear and damage.
 2. Check oil pressure regulator valve sliding surface and valve spring.
 3. Coat regulator valve with engine oil. Check that it falls smoothly into the valve hole by its own weight.
- Replace regulator valve set or oil pump assembly, if damaged.

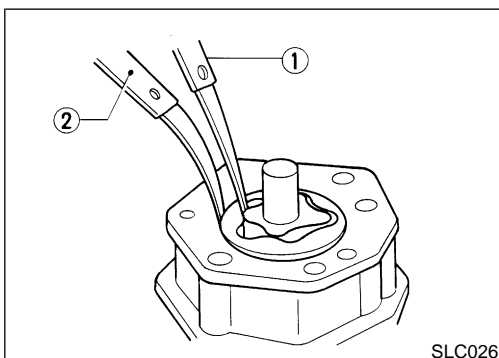


OIL FILTER

NELC0147

The oil filter is a small, full-flow cartridge type and is provided with a relief valve.

- Use Tool KV10115801 (J38956) for removing oil filter.



OIL PUMP INSPECTION

NELC0148

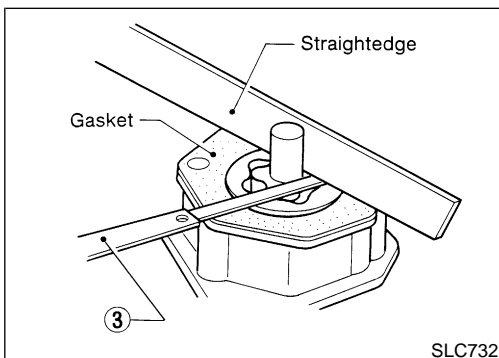
Using a feeler gauge, check the following clearances.

Standard clearance:

Unit: mm (in)

Rotor tip clearance 1	Less than 0.12 (0.0047)
Outer rotor to body clearance 2	0.15 - 0.21 (0.0059 - 0.0083)
Side clearance (with gasket) 3	0.04 - 0.100 (0.0016 - 0.0039)

- If the tip clearance (1) exceeds the limit, replace rotor set.
- If body to rotor clearances (2, 3) exceed the limit, replace oil pump assembly.



ENGINE LUBRICATION SYSTEM

KA24DE

Service Data and Specifications (SDS)

Service Data and Specifications (SDS)

OIL PRESSURE CHECK

NELC0149

Engine speed	Approximate discharge pressure
Idle speed	More than 78 kPa (0.8 kg/cm ² , 11 psi)
3,000 rpm	412 - 481 kPa (4.2 - 4.9 kg/cm ² , 60 - 70 psi)

REGULATOR VALVE

NELC0150
Unit: mm (in)

Regulator valve to oil pump cover clearance	0.040 - 0.097 (0.0016 - 0.0038)
---	---------------------------------

OIL PUMP

NELC0151
Unit: mm (in)

Rotor tip clearance	Less than 0.12 (0.0047)
Outer rotor to body clearance	0.15 - 0.21 (0.0059 - 0.0083)
Side clearance (with gasket)	0.04 - 0.100 (0.0016 - 0.0039)

Precautions

SUPPLEMENTAL RESTRAINT SYSTEM (SRS) "AIR BAG" AND "SEAT BELT PRE-TENSIONER"

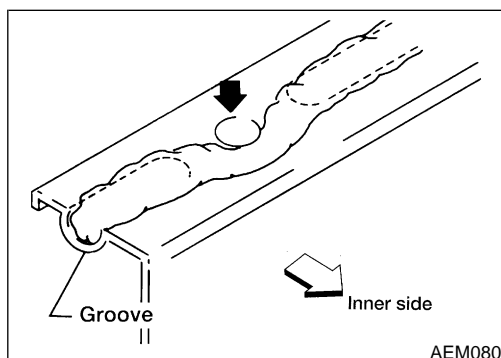
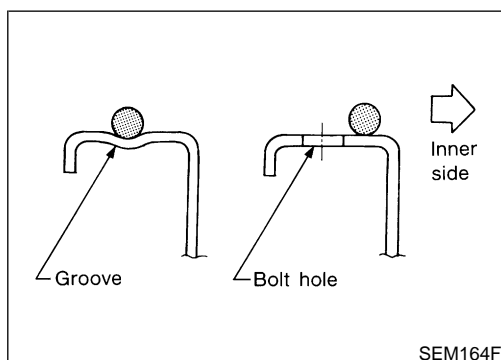
The Supplemental Restraint System such as "AIR BAG" and "SEAT BELT PRE-TENSIONER" used along with a seat belt, helps to reduce the risk or severity of injury to the driver and front passenger in a frontal collision. The Supplemental Restraint System consists of air bag modules (located in the center of the steering wheel and in the instrument panel on the passenger side), seat belt pre-tensioners, a diagnosis sensor unit, warning lamp, wiring harness, and spiral cable.

The vehicle (except Crew Cab model) is equipped with a passenger air bag deactivation switch. Because no rear seat exists where a rear-facing child restraint can be placed, the switch is designed to turn off the passenger air bag so that a rear-facing child restraint can be used in the front passenger seat. The switch is located in the center of the instrument panel, near the ashtray. When the switch is turned to the ON position, the passenger air bag is enabled and could inflate in a frontal collision. When the switch is turned to the OFF position, the passenger air bag is disabled and will not inflate in a frontal collision. A passenger air bag OFF indicator on the instrument panel lights up when the passenger air bag is switched OFF. The driver air bag always remains enabled and is not affected by the passenger air bag deactivation switch.

Information necessary to service the system safely is included in the **RS section** of this Service Manual.

WARNING:

- To avoid rendering the SRS inoperative, which could increase the risk of personal injury or death in the event of a collision which would result in air bag inflation, all maintenance should be performed by an authorized NISSAN dealer.
- Improper maintenance, including incorrect removal and installation of the SRS, can lead to personal injury caused by unintentional activation of the system. For removal of Spiral Cable and Air Bag Module, see the RS section.
- Do not use electrical test equipment on any circuit related to the SRS unless instructed to in this Service Manual. Spiral cable and wiring harnesses (except "SEAT BELT PRE-TENSIONER") covered with yellow insulation either just before the harness connectors or for the complete harness are related to the SRS.
- The vehicle (except Crew Cab model) is equipped with a passenger air bag deactivation switch which can be operated by the customer. When the passenger air bag is switched OFF, the passenger air bag is disabled and will not inflate in a frontal collision. When the passenger air bag is switched ON, the passenger air bag is enabled and could inflate in a frontal collision. After SRS maintenance or repair, make sure the passenger air bag deactivation switch is in the same position (ON or OFF) as when the vehicle arrived for service.



LIQUID GASKET APPLICATION PROCEDURE

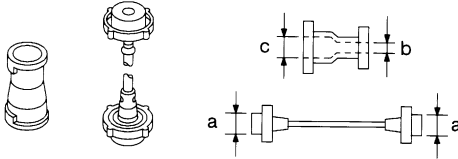
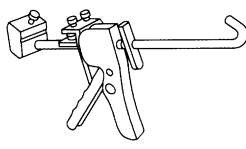
1. Use a scraper to remove all traces of old liquid gasket from mating surfaces and grooves. Also, completely clean any oil from these areas.
2. Apply a continuous bead of liquid gasket to mating surfaces. Use Genuine RTV Silicone Sealant Part No. 999MP-A7007 or equivalent.
 - For oil pan, be sure liquid gasket diameter is 3.5 to 4.5 mm (0.138 to 0.177 in).
 - For areas except oil pan, be sure liquid gasket diameter is 2.0 to 3.0 mm (0.079 to 0.118 in).
3. Apply liquid gasket around the inner side of bolt holes (unless otherwise specified).
4. Assembly should be done within 5 minutes after coating.
5. Wait at least 30 minutes before refilling engine oil and engine coolant.

Preparation

SPECIAL SERVICE TOOLS

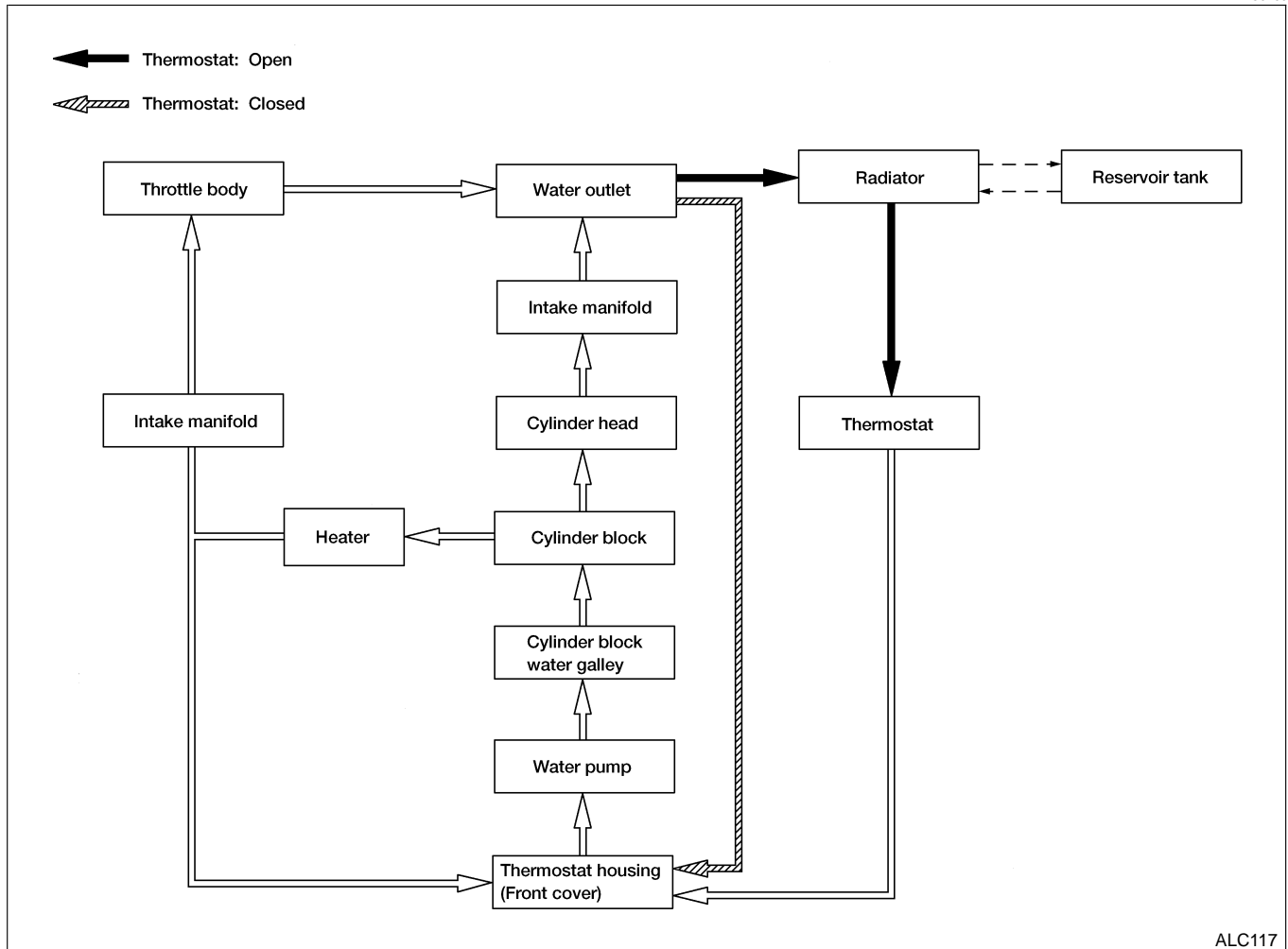
=NELC0154

The actual shapes of Kent-Moore tools may differ from those of special service tools illustrated here.

Tool number (Kent-Moore No.) Tool name	Description	
EG17650301 (J33984-A) Radiator cap tester adapter		Adapting radiator cap tester to radiator filler neck a: 28 (1.10) dia. b: 31.4 (1.236) dia. c: 41.3 (1.626) dia. Unit: mm (in)
WS39930000 (—) Tube presser		Pressing the tube of liquid gasket

Cooling Circuit

NELC0155



ALC117

System Check

NELC0156

WARNING:

Never remove the radiator cap when the engine is hot. Serious burns could occur from high pressure coolant escaping from the radiator.

Wrap a thick cloth around the radiator cap. Slowly turn it a quarter turn to allow built-up pressure to escape. Carefully remove the radiator cap by turning it all the way.

CHECKING COOLING SYSTEM HOSES

NELC0156S01

Check hoses for the following:

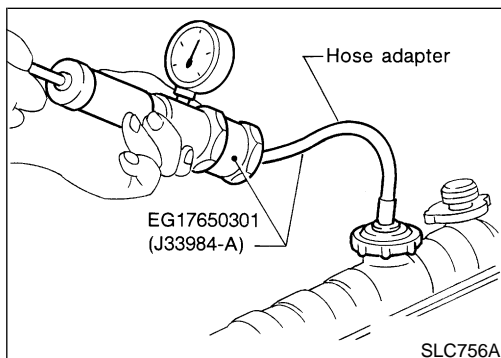
- Improper attachment
- Leaks
- Cracks
- Damage
- Chafing
- Deterioration

CHECKING RADIATOR

NELC0156S02

Check radiator for mud or clogging. If necessary, clean radiator as follows.

- Be careful not to bend or damage the radiator fins.
 - When radiator is cleaned without removal, remove all surrounding parts such as cooling fan, radiator shroud and horns.
 - Tape the harness connectors to prevent water from entering.
1. Apply water by hose to the back side of the radiator core vertically downward.
 2. Apply water again to all radiator core surfaces once per minute.
 3. Stop washing when water flows clear coming out of the radiator.
 4. Blow air into the back side of radiator core vertically downward.
 - Use compressed air lower than 490 kPa (5 kg/cm², 71 psi) and keep the air hose end more than 30 cm (11.8 in) away from the core.
 5. Blow air again into all the radiator core surfaces once per minute until no water sprays out and the core is dry.



CHECKING COOLING SYSTEM FOR LEAKS

NELC0156S03

To check for leakage, apply pressure to the cooling system with a radiator cap tester.

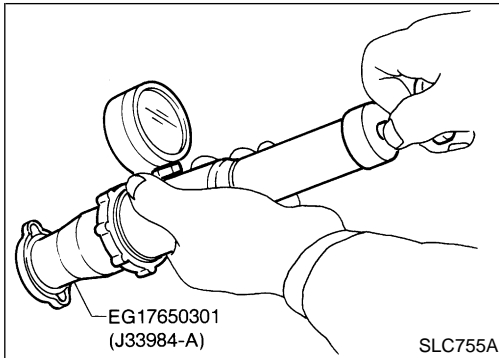
Testing pressure:

157 kPa (1.6 kg/cm², 23 psi)

CAUTION:

Higher pressure than specified may cause radiator damage.

System Check (Cont'd)



CHECKING RADIATOR CAP

NELC0156S04

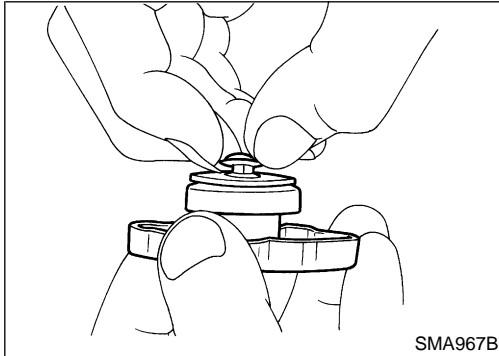
To check radiator cap, apply pressure to radiator cap with a radiator cap tester.

Radiator cap relief pressure:

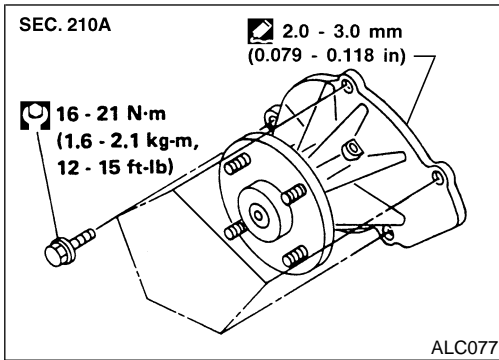
Standard

78 - 98 kPa (0.8 - 1.0 kg/cm², 11 - 14 psi)

Limit

59 - 98 kPa (0.6 - 1.0 kg/cm², 9 - 14 psi)

Pull the negative pressure valve to open it.
Check that it closes completely when released.



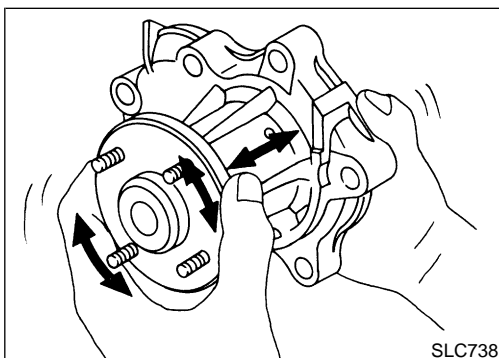
Water Pump

REMOVAL

NELC0157

CAUTION:

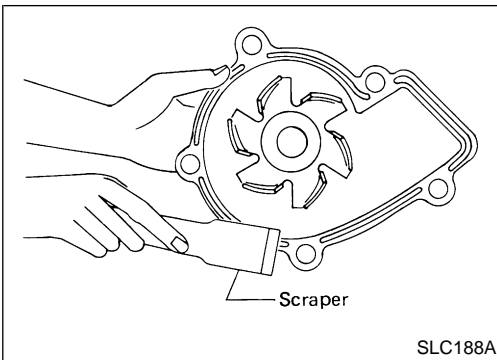
- When removing water pump assembly, be careful not to get coolant on drive belts.
 - Water pump cannot be disassembled and should be replaced as a unit.
 - After installing water pump, connect hose and clamp securely. Check for leaks using radiator cap tester.
1. Drain coolant from engine.
Refer to **MA-17**, "Changing Engine Coolant".
 2. Remove fan coupling with fan.
 3. Remove power steering pump drive belt, generator drive belt and A/C compressor drive belt.
 4. Remove water pump.



INSPECTION

NELC0158

- Check body assembly for rust or corrosion.
- Check for rough operation due to excessive end play.



INSTALLATION

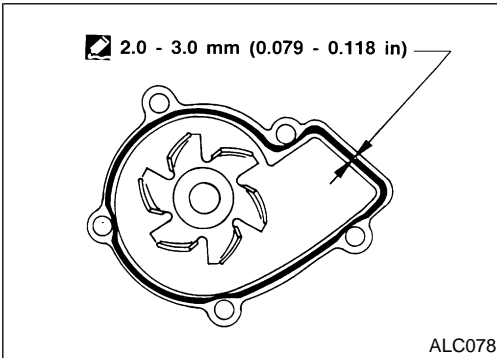
NELC0159

1. Use a scraper to remove liquid gasket from water pump.
 - Also remove traces of liquid gasket from mating surface of cylinder block.

GI

MA

EM

LC


2. Apply a continuous bead of liquid gasket to mating surface of water pump.
 - Use Genuine RTV Silicone Sealant Part No. 999MP-A7007 or equivalent.

EC

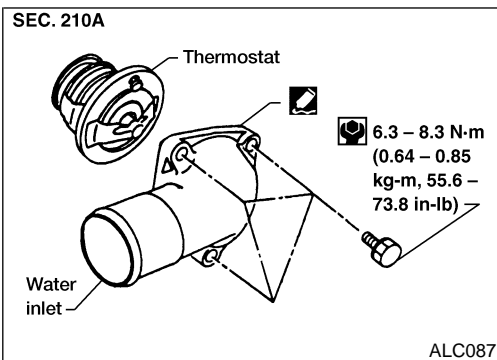
Fill the radiator with coolant. Refer to MA-17, "Changing Engine Coolant".

FE

Install drive belts. Refer to MA-16, "Checking Drive Belts".

CL

MT



Thermostat

REMOVAL

NELC0160

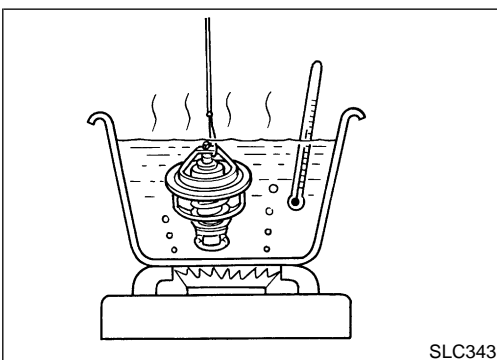
- Be careful not to spill coolant over engine compartment. Use a rag to absorb coolant.
1. Drain coolant from engine. Refer to MA-17, "Changing Engine Coolant".
 2. Remove air cleaner and air duct assembly.
 3. Remove water hose from water inlet housing.
 4. Remove water inlet housing, then take out thermostat.

AT

TF

PD

AX



INSPECTION

NELC0161

1. Check valve seating condition at normal room temperature. It should seat tightly.
2. Check valve opening temperature and valve lift.

SU

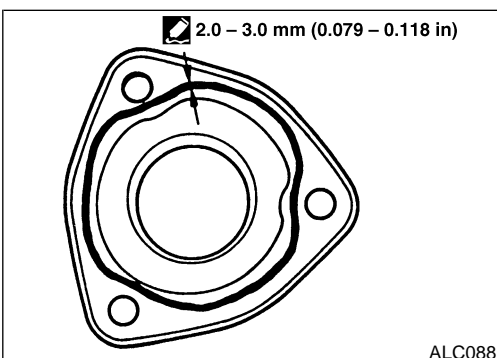
BR

Valve opening temperature	76.5°C (170°F)
Valve lift	More than 8 mm/90°C (0.31 in/194°F)

ST

3. Check if valve closes at 5°C (9°F) below valve opening temperature.

RS



INSTALLATION

NELC0162

1. Use a scraper to remove old liquid gasket from water inlet.
 - Also remove traces of liquid gasket from mating surface of front cover.
2. Apply a continuous bead of liquid gasket to mating surface of water inlet.
 - Use Genuine RTV Silicone Sealant Part No. 999MP-A7007 or equivalent.

BT

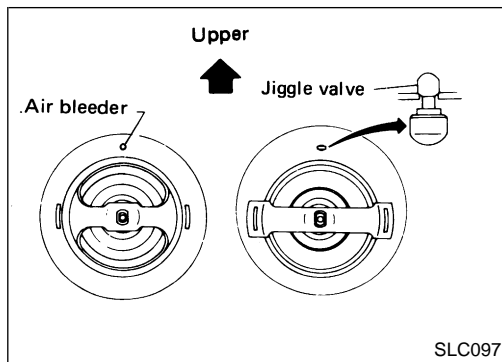
HA

SC

EL

IDX

Thermostat (Cont'd)



3. Install thermostat with jiggle valve or air bleeder at upper side.
 4. Install water inlet housing.
 5. Install water hose to water inlet housing.
 6. Install air cleaner and air duct assembly.
 7. Refill engine coolant. Refer to **MA-17**, "Changing Engine Coolant".
- **After installation, run engine for a few minutes and check for leaks.**

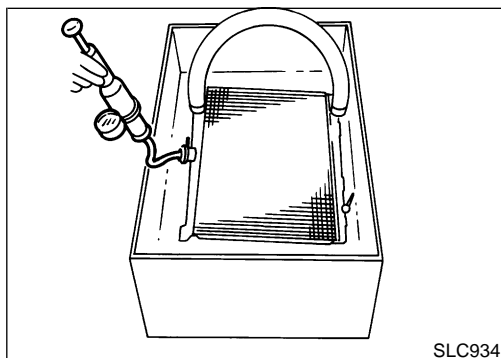
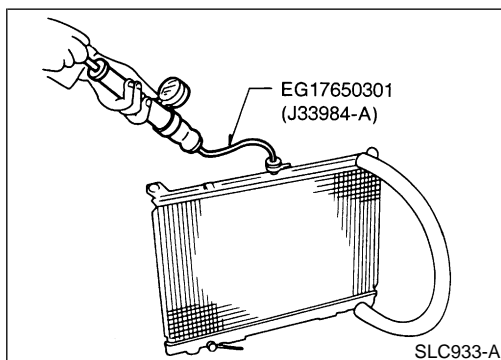
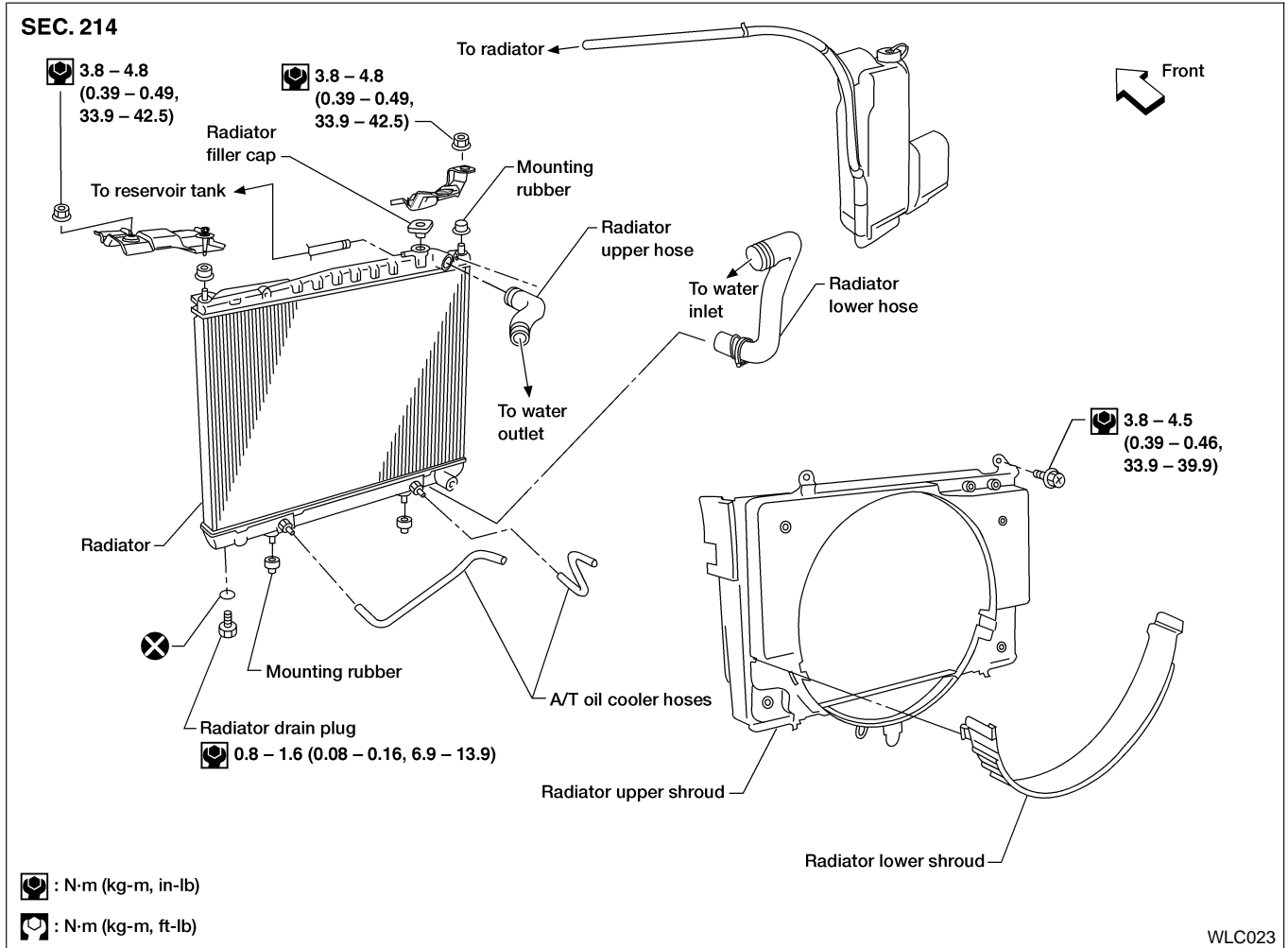
Radiator**REMOVAL AND INSTALLATION**

NELC0163

1. Remove under cover.
 2. Drain coolant from radiator. Refer to **MA-17**, "Changing Engine Coolant".
 3. Disconnect upper and lower radiator hoses.
 4. Remove air cleaner and air duct assembly.
 5. Remove lower radiator shroud.
 6. Remove radiator shroud.
 7. Remove A/T oil cooler hoses (A/T models only).
 8. Disconnect coolant reservoir hose.
 9. Remove radiator.
 10. After replacing radiator, install all parts in reverse order of removal.
 11. Refill engine coolant. Refer to **MA-17**, "Changing Engine Coolant".
- **After installation, run engine for a few minutes, and check for leaks.**

COMPONENTS

NELC0164



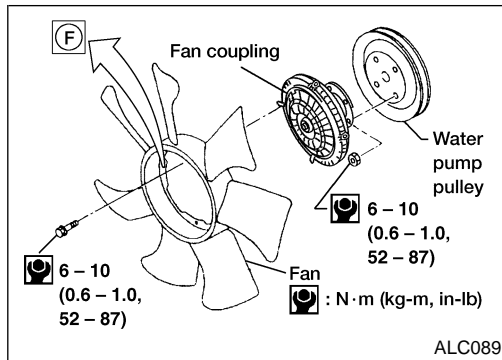
INSPECTION

NELC0165

1. Apply pressure with Tool.
Specified pressure value:
157 kPa (1.6 kg/cm², 23 psi)

2. Check for leakage.

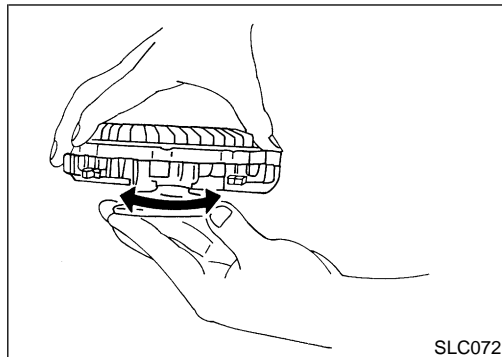
Cooling Fan (Crankshaft driven)



Cooling Fan (Crankshaft driven)

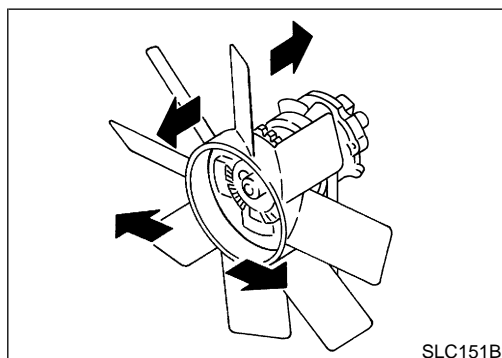
REMOVAL AND INSTALLATION

- Do not release the drive belt tension by removing the fan/water pump pulley. NELC0166
- Fan coupling cannot be disassembled and should be replaced as a unit. If front mark **F** is present, install fan so that side marked **F** faces the front.
- Install the drive belt only after the fan and fan coupling to water pump flange bolts/nuts have been properly torqued.
- Proper alignment of these components is essential. Improper alignment will cause them to wobble and may eventually cause the fan to separate from the water pump, causing extensive damage.



INSPECTION

Check fan coupling for rough operation, oil leakage and bent bimetal. NELC0167



After assembly, verify the fan does not wobble or flap while the engine is running.

WARNING:

- When the engine is running, keep hands and clothing away from moving parts such as drive belts and fan.

Refilling Engine Coolant

For details on refilling engine coolant, refer to **MA-17**, "Changing Engine Coolant". NELC0168

ENGINE COOLING SYSTEM

KA24DE

Overheating Cause Analysis

Overheating Cause Analysis

=NELC0169

		Symptom	Check items			
Cooling system parts malfunction	Poor heat transfer	Water pump malfunction	Worn or loose drive belt	—	GI	
		Thermostat stuck closed	—		MA	
		Damaged fins	Dust contamination or paper clogging		—	EM
			Mechanical damage			LC
	Reduced air flow	Clogged radiator cooling tube	Excess foreign material (rust, dirt, sand, etc.)	—	EC	
		Fan coupling does not operate	—		FE	
		High resistance to fan rotation			CL	
		Damaged fan blades		—	MT	
	Damaged radiator shroud	—	—		AT	
	Improper coolant mixture ratio	—	—		TF	
	Poor coolant quality	—	—	PD		
	Insufficient coolant	Coolant leaks	Cooling hose	Loose clamp	AX	
				Cracked hose	SU	
			Water pump	Poor sealing	BR	
			Radiator cap	Loose	ST	
				Poor sealing	RS	
Radiator			O-ring for damage, deterioration or improper fitting	BT		
		Cracked radiator tank	HA			
	Cracked radiator core	SC				
Reservoir tank	Cracked reservoir tank	EL				
Overflowing reservoir tank	Exhaust gas leaks into cooling system	Cylinder head deterioration	BR			
		Cylinder head gasket deterioration	ST			

ENGINE COOLING SYSTEM

KA24DE

Overheating Cause Analysis (Cont'd)

	Symptom		Check items		
Except cooling system parts malfunction	—	Overload on engine	Abusive driving	High engine rpm under no-load	
				Driving in low gear for extended time	
				Driving at extremely high speed	
			Powertrain system malfunction	—	
			Installed improper size wheels and tires		
			Dragging brakes		
	Blocked or restricted air flow	Blocked or restricted air flow	Blocked bumper	—	—
			Blocked radiator grille	Installed car brassiere	
				Mud contamination or paper clogging	
			Blocked radiator	—	
Blocked condenser			—		
Installed large fog lamp	—				

Service Data and Specifications (SDS)

THERMOSTAT

NELC0170

Valve opening temperature	76.5°C (170°F)
Valve lift	More than 8 mm/90°C (0.31 in/194°F)

RADIATOR

Unit: kPa (kg/cm², psi)
NELC0171

Cap relief pressure	Standard	78 - 98 (0.8 - 1.0, 11 - 14)
	Limit	59 - 98 (0.6 - 1.0, 9 - 14)
Leakage test pressure		157 (1.6, 23)

Precautions

SUPPLEMENTAL RESTRAINT SYSTEM (SRS) "AIR BAG" AND "SEAT BELT PRE-TENSIONER"

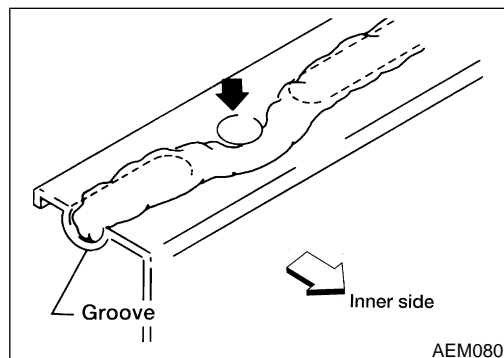
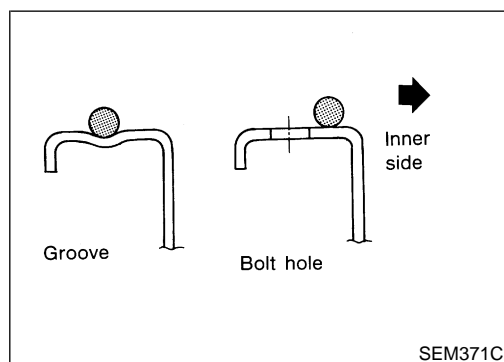
The Supplemental Restraint System such as "AIR BAG" and "SEAT BELT PRE-TENSIONER" used along with a seat belt, helps to reduce the risk or severity of injury to the driver and front passenger in a frontal collision. The Supplemental Restraint System consists of air bag modules (located in the center of the steering wheel and in the instrument panel on the passenger side), seat belt pre-tensioners, a diagnosis sensor unit, warning lamp, wiring harness, and spiral cable.

The vehicle (except Crew Cab model) is equipped with a passenger air bag deactivation switch. Because no rear seat exists where a rear-facing child restraint can be placed, the switch is designed to turn off the passenger air bag so that a rear-facing child restraint can be used in the front passenger seat. The switch is located in the center of the instrument panel, near the ashtray. When the switch is turned to the ON position, the passenger air bag is enabled and could inflate in a frontal collision. When the switch is turned to the OFF position, the passenger air bag is disabled and will not inflate in a frontal collision. A passenger air bag OFF indicator on the instrument panel lights up when the passenger air bag is switched OFF. The driver air bag always remains enabled and is not affected by the passenger air bag deactivation switch.

Information necessary to service the system safely is included in the **RS section** of this Service Manual.

WARNING:

- To avoid rendering the SRS inoperative, which could increase the risk of personal injury or death in the event of a collision which would result in air bag inflation, all maintenance should be performed by an authorized NISSAN dealer.
- Improper maintenance, including incorrect removal and installation of the SRS, can lead to personal injury caused by unintentional activation of the system. For removal of Spiral Cable and Air Bag Module, see the RS section.
- Do not use electrical test equipment on any circuit related to the SRS unless instructed to in this Service Manual. Spiral cable and wiring harnesses (except "SEAT BELT PRE-TENSIONER") covered with yellow insulation either just before the harness connectors or for the complete harness are related to SRS.
- The vehicle (except Crew Cab model) is equipped with a passenger air bag deactivation switch which can be operated by the customer. When the passenger air bag is switched OFF, the passenger air bag is disabled and will not inflate in a frontal collision. When the passenger air bag is switched ON, the passenger air bag is enabled and could inflate in a frontal collision. After SRS maintenance or repair, make sure the passenger air bag deactivation switch is in the same position (ON or OFF) as when the vehicle arrived for service.



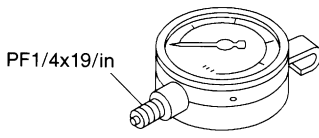
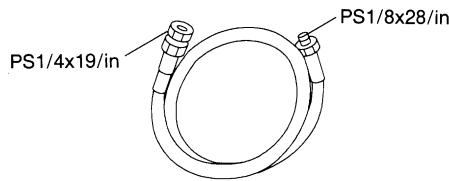
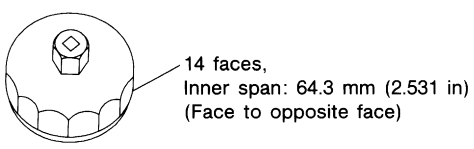
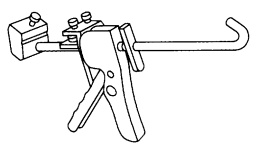
LIQUID GASKET APPLICATION PROCEDURE

1. Use a scraper to remove all traces of old liquid gasket from mating surface and grooves. Also, completely clean any oil from these areas.
2. Apply a continuous bead of liquid gasket to mating surfaces. (Use Genuine RTV Silicone Sealant Part No. 999MP-A7007 or equivalent.)
 - Be sure liquid gasket is 3.5 to 4.5 mm (0.138 to 0.177 in) diameter (for oil pan).
 - Be sure liquid gasket is 2.0 to 3.0 mm (0.079 to 0.118 in) diameter (in areas except oil pan).
3. Apply liquid gasket around the inner side of bolt holes (unless otherwise specified).
4. Assembly should be done within 5 minutes after coating.
5. Wait at least 30 minutes before refilling engine oil and engine coolant.

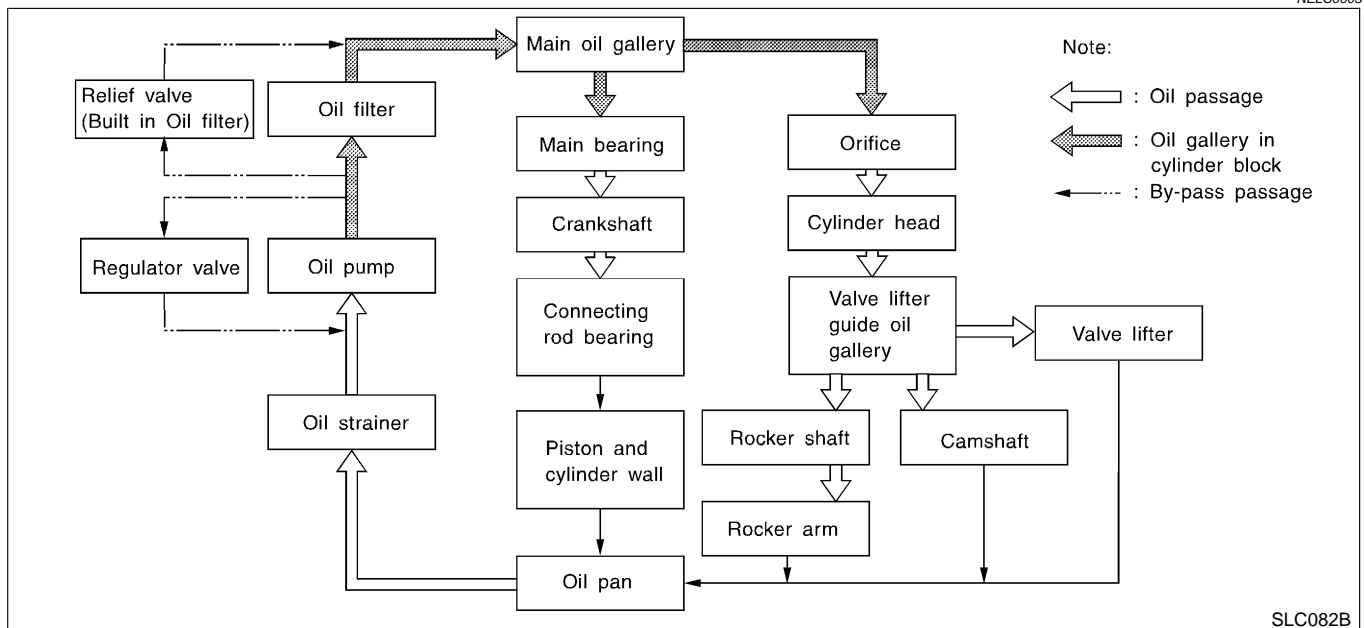
Preparation

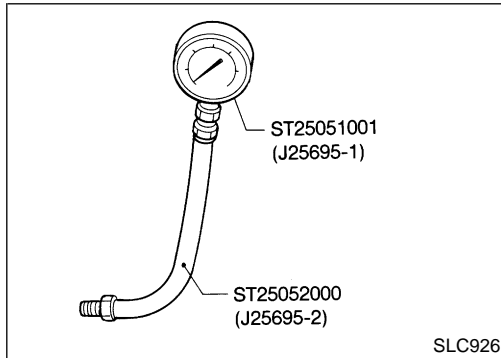
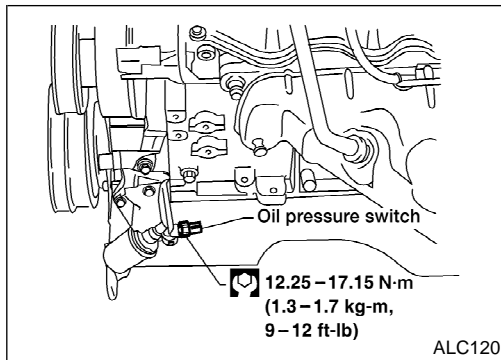
SPECIAL SERVICE TOOLS

The actual shapes of Kent-Moore tools may differ from those of special service tools illustrated here. =NELC0002

Tool number (Kent-Moore No.) Tool name	Description	
ST25051001 (J25695-1) Oil pressure gauge		Measuring oil pressure Maximum measuring range: 2,452 kPa (25 kg/cm², 356 psi)
NT558		
ST25052000 (J25695-2) Hose		Adapting oil pressure gauge to cylinder block
NT559		
KV10115801 (J38956) Oil filter wrench		Removing oil filter
NT362		
WS39930000 (—) Tube presser		Pressing the tube of liquid gasket
NT052		

Lubrication Circuit

NELC0003




Oil Pressure Check

NELC0004

WARNING:

- Be careful not to burn yourself, as the engine and oil may be hot.
- Oil pressure check should be done in “Neutral position” (M/T) or “Parking position” (A/T).

1. Check oil level.
2. Remove oil pressure switch.
3. Install pressure gauge.
4. Start engine and warm it up to normal operating temperature.
5. Check oil pressure with engine running under no-load.

Engine speed rpm	Approximate discharge pressure kPa (kg/cm ² , psi)
Idle speed	More than 59 (0.6, 9)
2,000	412 - 451 (4.2 - 4.6, 60 - 65)

If difference is extreme, check oil passage and oil pump for oil leaks.

6. Install oil pressure switch with sealant.

: 12.25 - 17.15 N·m (1.3 - 1.7 kg-m, 9 - 12 ft-lb)

Oil Pump

REMOVAL AND INSTALLATION

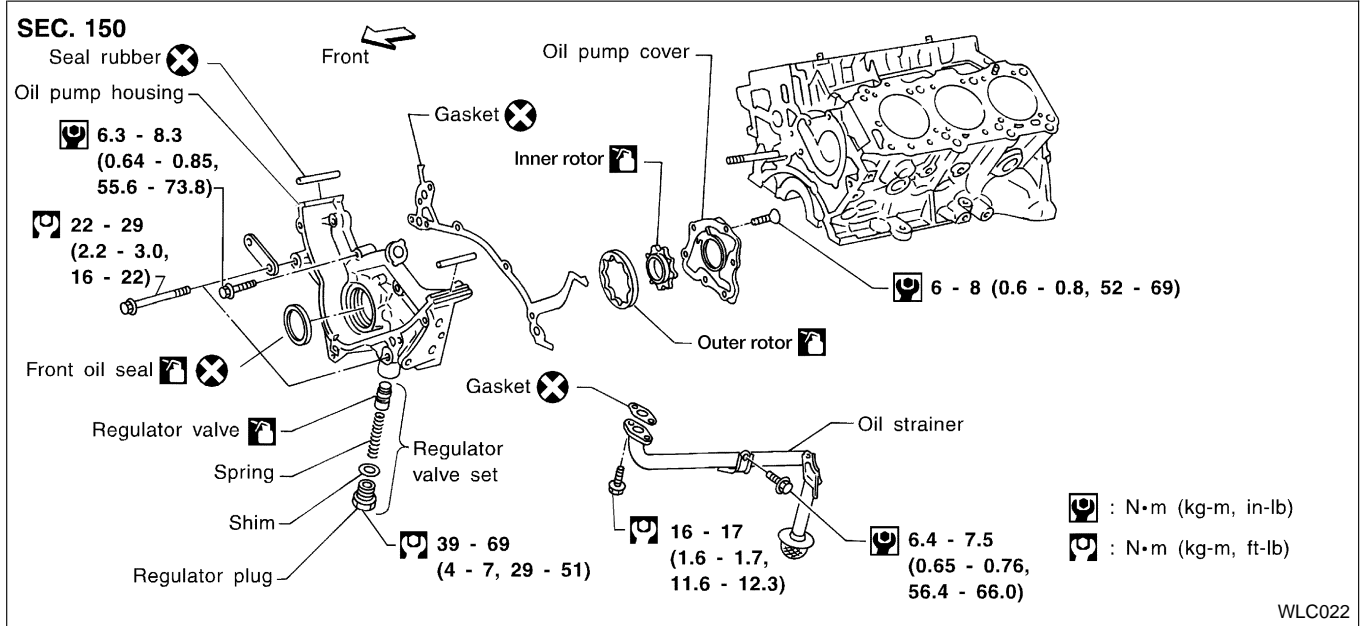
NELC0005

1. Drain engine oil.
2. Drain engine coolant from drain plug on radiator.
3. Remove air duct (from mass air flow sensor to throttle body).
4. Remove cooling fan.
5. Remove radiator hoses (upper and lower) and fan shroud. Refer to “Radiator”, LC-32.
6. Remove drive belts. Refer to **MA-25**, “Checking Drive Belts”.
7. Remove crankshaft pulley and front upper and lower belt covers. Refer to **EM-83**, “TIMING BELT”.
8. Remove oil pan. Refer to **EM-80**, “OIL PAN”.
9. Remove oil strainer.
10. Remove oil pump assembly.

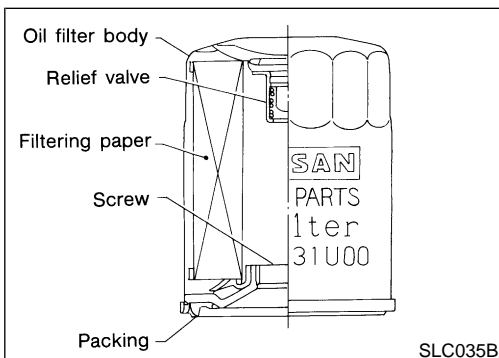
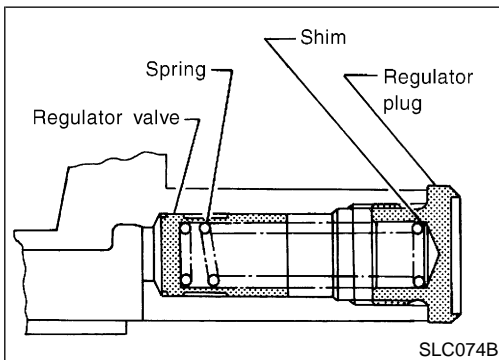
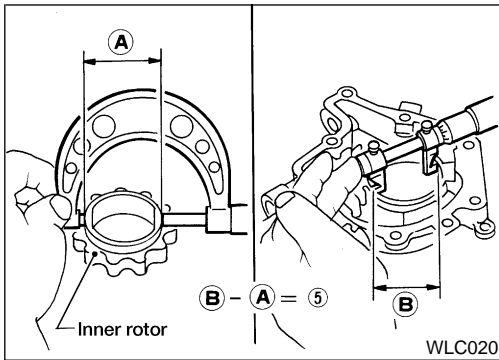
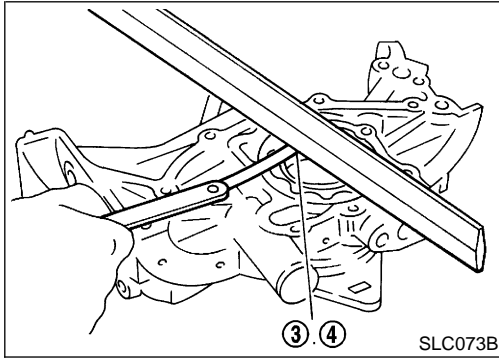
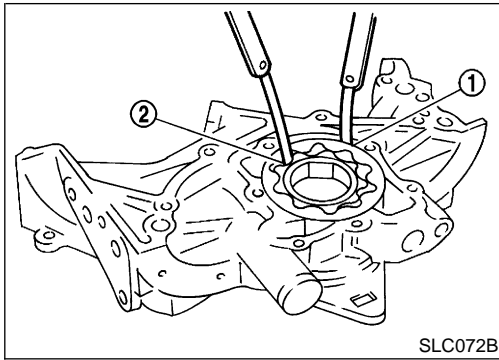
GI
MA
EM
LC
EC
FE
CL
MT
AT
TF
PD
AX
SU
BR
ST
RS
BT
HA
SC
EL
IDX

DISASSEMBLY AND ASSEMBLY

NELC0006



- Always replace with new oil seal and gasket.
- When installing oil pump, apply engine oil to inner and outer rotors.
- Be sure that O-ring is properly installed.



INSPECTION

NELC0007

Using a feeler gauge, straightedge and micrometers, check the following clearances:

Unit: mm (in)

Body to outer rotor radial clearance 1	0.114 - 0.200 (0.0045 - 0.0079)
Inner rotor to outer rotor tip clearance 2	Below 0.18 (0.0071)
Body to inner rotor axial clearance 3	0.05 - 0.09 (0.0020 - 0.0035)
Body to outer rotor axial clearance 4	0.050 - 0.110 (0.0020 - 0.0043)
Inner rotor to brazed portion of housing clearance 5	0.045 - 0.091 (0.0018 - 0.0036)

- If the tip clearance (2) exceeds the limit, replace rotor set.
- If body to rotor clearances (1, 3, 4, 5) exceed the limit, replace oil pump body assembly.

REGULATOR VALVE INSPECTION

NELC0008

1. Visually inspect components for wear and damage.
2. Check oil pressure regulator valve sliding surface and valve spring.
3. Coat regulator valve with engine oil. Check that it falls smoothly into the valve hole by its own weight.

If damaged, replace regulator valve set or oil pump assembly.

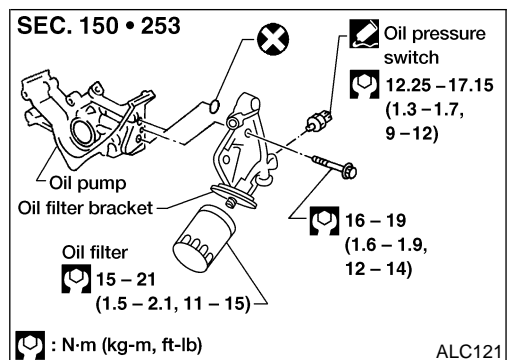
OIL FILTER

NELC0009

The oil filter is a small, full-flow cartridge type and is provided with a relief valve.

- Use Tool KV10115801 (J38956) for removing oil filter.

Oil Pump (Cont'd)



OIL FILTER BRACKET

NELC0010

1. Remove oil filter.
2. Disconnect oil pressure switch and connector.
3. Remove oil filter bracket.

Service Data and Specifications (SDS)

OIL PRESSURE CHECK

=NELC0011

Engine speed rpm	Approximate discharge pressure kPa (kg/cm ² , psi)
Idle speed	More than 59 (0.6, 9)
2,000	412 - 451 (4.2 - 4.6, 60 - 65)

REGULATOR VALVE

NELC0012
Unit: mm (in)

Regulator valve to oil pump cover clearance	0.040 - 0.097 (0.0016 - 0.0038)
---	---------------------------------

OIL PUMP

NELC0013
Unit: mm (in)

Body to outer rotor radial clearance	0.114 - 0.200 (0.0045 - 0.0079)
Inner rotor to outer rotor tip clearance	Below 0.18 (0.0071)
Body to inner rotor axial clearance	0.05 - 0.09 (0.0020 - 0.0035)
Body to outer rotor axial clearance	0.050 - 0.110 (0.0020 - 0.0043)
Inner rotor to brazed portion of housing clearance	0.045 - 0.091 (0.0018 - 0.0036)

GI

MA

EM

LC

EC

FE

CL

MT

AT

TF

PD

AX

SU

BR

ST

RS

BT

HA

SC

EL

IDX

Precautions

SUPPLEMENTAL RESTRAINT SYSTEM (SRS) “AIR BAG” AND “SEAT BELT PRE-TENSIONER”

NELC0139

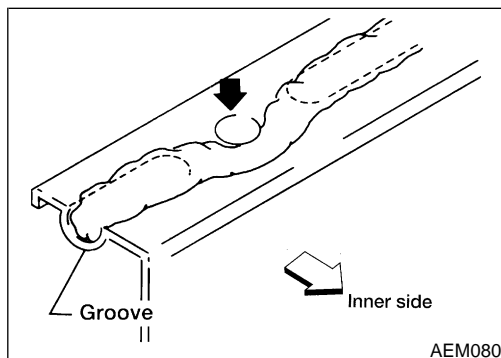
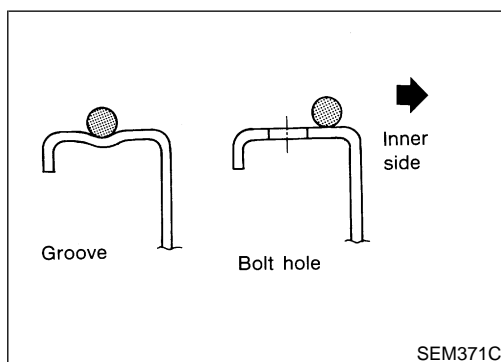
The Supplemental Restraint System such as “AIR BAG” and “SEAT BELT PRE-TENSIONER” used along with a seat belt, helps to reduce the risk or severity of injury to the driver and front passenger in a frontal collision. The Supplemental Restraint System consists of driver air bag module (located in the center of the steering wheel), front passenger air bag module (located on the instrument panel on passenger side), seat belt pretensioners, a diagnosis sensor unit, warning lamp, wiring harness and spiral cable.

The vehicle (except Crew Cab model) is equipped with a passenger air bag deactivation switch. Because no rear seat exists where a rear-facing child restraint can be placed, the switch is designed to turn off the passenger air bag so that a rear-facing child restraint can be used in the front passenger seat. The switch is located in the center of the instrument panel, near the ashtray. When the switch is turned to the ON position, the passenger air bag is enabled and could inflate in a frontal collision. When the switch is turned to the OFF position, the passenger air bag is disabled and will not inflate in a frontal collision. A passenger air bag OFF indicator on the instrument panel lights up when the passenger air bag is switched OFF. The driver air bag always remains enabled and is not affected by the passenger air bag deactivation switch.

Information necessary to service the system safely is included in the **RS section** of this Service Manual.

WARNING:

- To avoid rendering the SRS inoperative, which could increase the risk of personal injury or death in the event of a collision which would result in air bag inflation, all maintenance should be performed by an authorized NISSAN dealer.
- Improper maintenance, including incorrect removal and installation of the SRS, can lead to personal injury caused by unintentional activation of the system. For removal of Spiral Cable and Air Bag Module, see the RS section.
- Do not use electrical test equipment on any circuit related to the SRS unless instructed to in this Service Manual. Spiral cable and wiring harnesses (except “SEAT BELT PRE-TENSIONER”) covered with yellow insulation either just before the harness connectors or for the complete harness are related to the SRS.
- The vehicle (except Crew Cab model) is equipped with a passenger air bag deactivation switch which can be operated by the customer. When the passenger air bag is switched OFF, the passenger air bag is disabled and will not inflate in a frontal collision. When the passenger air bag is switched ON, the passenger air bag is enabled and could inflate in a frontal collision. After SRS maintenance or repair, make sure the passenger air bag deactivation switch is in the same position (ON or OFF) as when the vehicle arrived for service.

**LIQUID GASKET APPLICATION PROCEDURE**

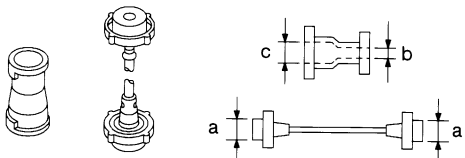
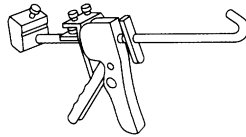
NELC0014

1. Use a scraper to remove all traces of old liquid gasket from mating surface and grooves. Also, completely clean any oil from these areas.
2. Apply a continuous bead of liquid gasket to mating surfaces. Use Genuine RTV Silicone Sealant Part No. 999MP-A7007 or equivalent.
 - Be sure liquid gasket is 3.5 to 4.5 mm (0.138 to 0.177 in) diameter (for oil pan).
 - Be sure liquid gasket is 2.0 to 3.0 mm (0.079 to 0.118 in) diameter (in areas except oil pan).
3. Apply liquid gasket around the inner side of bolt holes (unless otherwise specified).
4. Assembly should be done within 5 minutes after coating.
5. Wait at least 30 minutes before refilling engine oil and engine coolant.

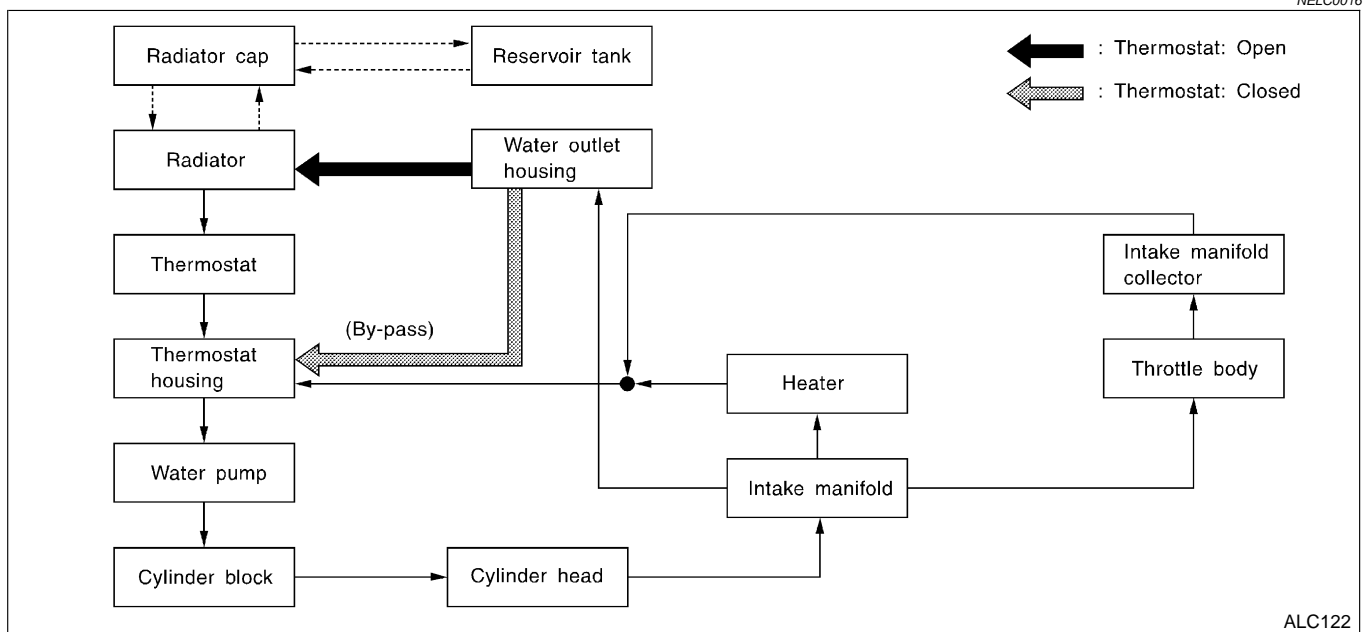
Preparation

SPECIAL SERVICE TOOLS

The actual shapes of Kent-Moore tools may differ from those of special service tools illustrated here. =NELC0015

Tool number (Kent-Moore No.) Tool name	Description	
EG17650301 (J33984-A) Radiator cap tester adapter		Adapting radiator cap tester to radiator filler neck a: 28 (1.10) dia. b: 31.4 (1.236) dia. c: 41.3 (1.626) dia. Unit: mm (in)
NT564		
WS39930000 (—) Tube presser		Pressing the tube of liquid gasket
NT052		

Cooling Circuit



System Check

WARNING:

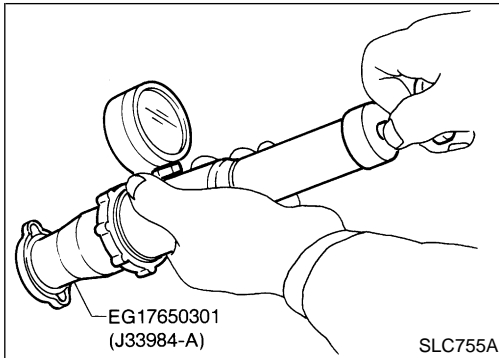
Never remove the radiator cap when the engine is hot. Serious burns could occur from high pressure coolant escaping from the radiator.

Wrap a thick cloth around the cap. Slowly turn it a quarter turn to allow built-up pressure to escape. Carefully remove the cap by turning it all the way.

CHECKING COOLING SYSTEM HOSES

Check hoses for improper attachment, leaks, cracks, damage, loose connections, chafing and deterioration.

System Check (Cont'd)

**CHECKING RADIATOR CAP**

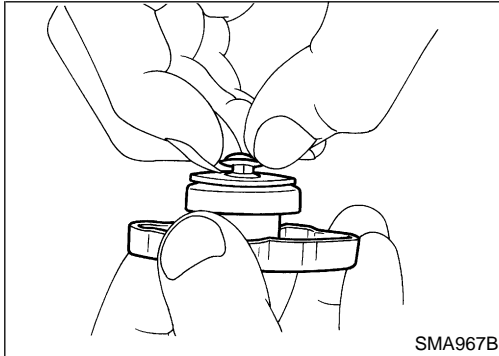
To check radiator cap, apply pressure to cap with a tester. NELC0017S02

Radiator cap relief pressure:**Standard**

78 - 98 kPa (0.8 - 1.0 kg/cm², 11 - 14 psi)

Limit

59 - 98 kPa (0.6 - 1.0 kg/cm², 9 - 14 psi)

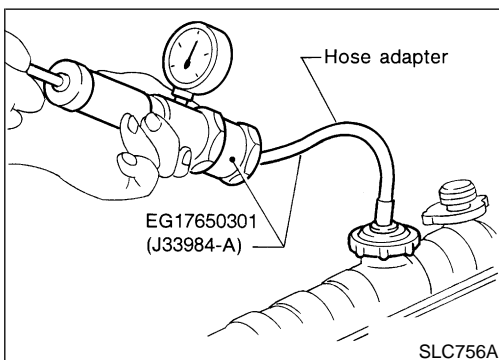


Pull the negative pressure valve to open it.
Check that it closes completely when released.

CHECKING RADIATOR

Check radiator for mud or clogging. If necessary, clean radiator as follows. NELC0017S04

- Be careful not to bend or damage the radiator fins.
 - When radiator is cleaned without removal, remove all surrounding parts such as cooling fan, radiator shroud and horns.
 - Tape the harness connectors to prevent water from entering.
1. Apply water by hose to the back side of the radiator core vertically downward.
 2. Apply water again to all radiator core surfaces once per minute.
 3. Stop washing when water flows clear coming out from the radiator.
 4. Blow air into the back side of radiator core vertically downward.
- Use compressed air lower than 490 kPa (5 kg/cm², 71 psi) and keep the air hose end more than 30 cm (11.8 in) away from the core.
5. Blow air again into all the radiator core surfaces once per minute until no water blows out and the core is dry.

**CHECKING COOLING SYSTEM FOR LEAKS**

To check for leakage, apply pressure to the cooling system with a tester. NELC0017S03

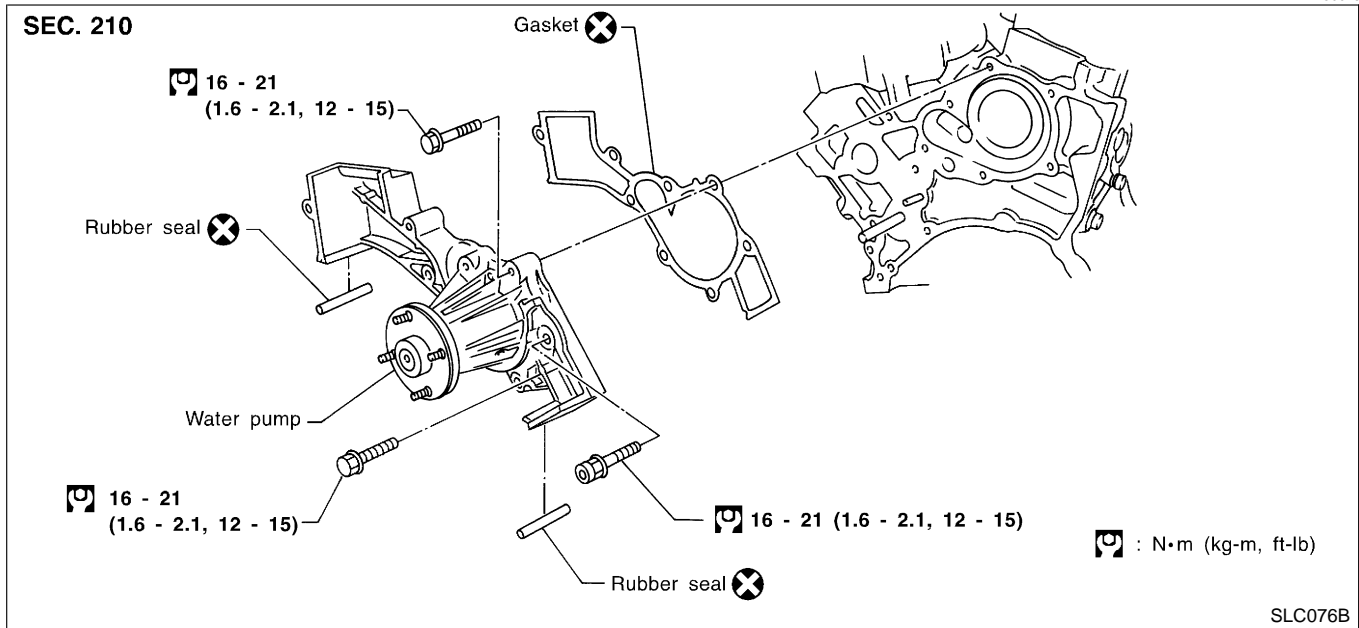
Testing pressure: 157 kPa (1.6 kg/cm², 23 psi)

CAUTION:

Higher pressure than specified may cause radiator damage.

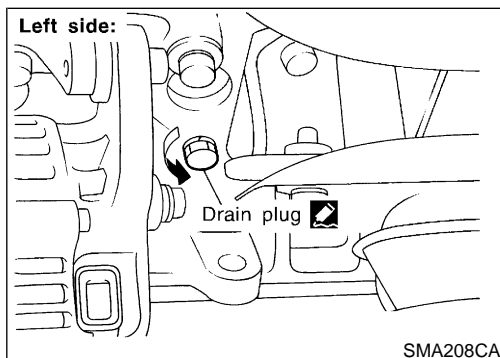
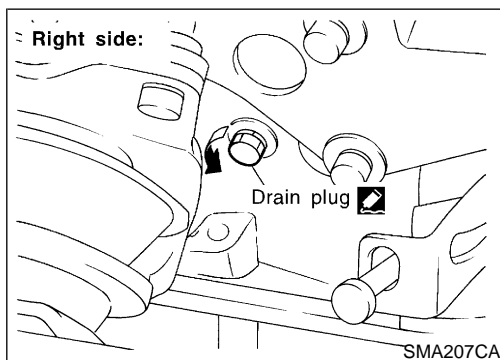
Water Pump REMOVAL

NELC0018



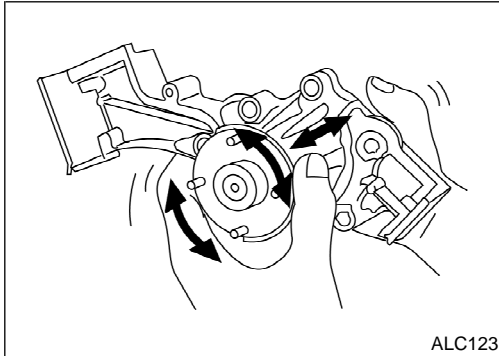
CAUTION:

- When removing water pump assembly, be careful not to get coolant on timing belt.
- Water pump cannot be disassembled and should be replaced as a unit.
- After installing water pump, connect hose and clamp securely, then check for leaks using radiator cap tester.
- To avoid deforming timing cover, make sure there is adequate clearance between it and the hose clamp.

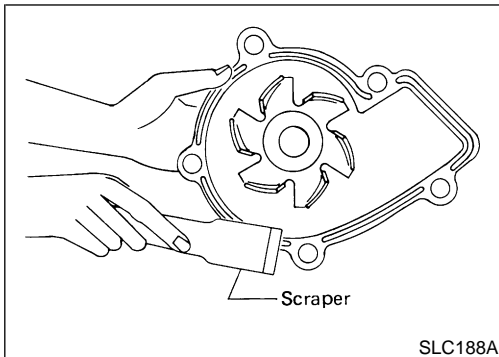


1. Drain coolant from drain plugs on both sides of cylinder block and radiator. Refer to **MA-27**, "Changing Engine Coolant".

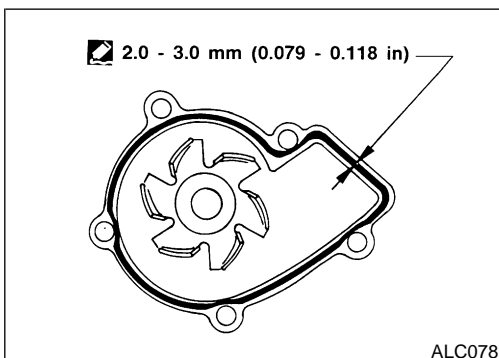
2. Remove radiator hoses (upper and lower) and fan shroud. Refer to "Radiator", LC-32.
3. Remove drive belts. Refer to **MA-25**, "Checking Drive Belts".
4. Remove water pump pulley.
5. Remove crankshaft pulley and front (upper and lower) belt cover. Refer to **EM-83**, "TIMING BELT".
6. Remove water pump.



ALC123



SLC188A



ALC078

INSPECTION

1. Check for badly rusted or corroded body assembly and vanes. NELC0019
2. Check for rough operation due to excessive end play.

INSTALLATION

1. Use a scraper to remove liquid gasket from water pump. NELC0132
 - **Also remove traces of liquid gasket from mating surface of cylinder block.**

2. Apply a continuous bead of liquid gasket to mating surface of water pump.
 - **Use Genuine RTV Silicone Sealant Part No. 999MP-A7007 or equivalent.**

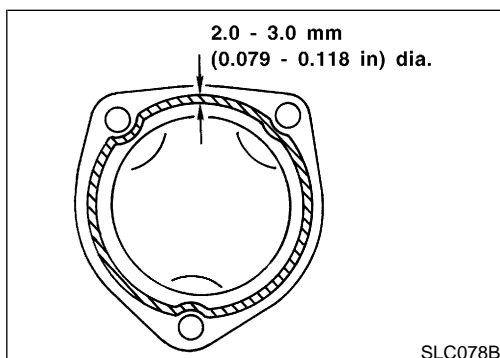
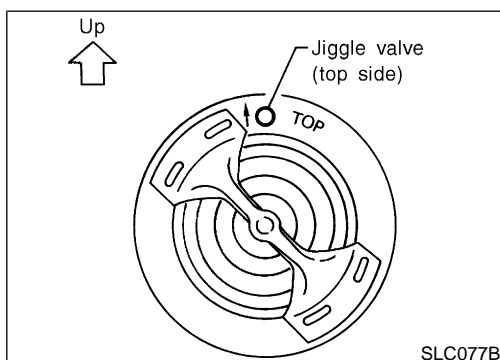
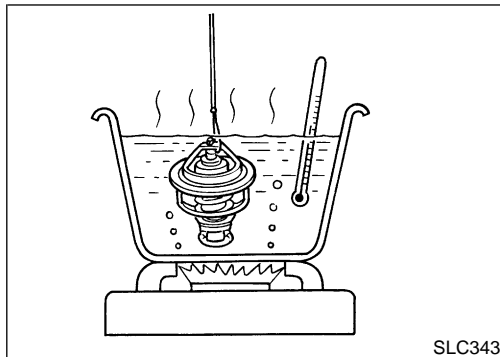
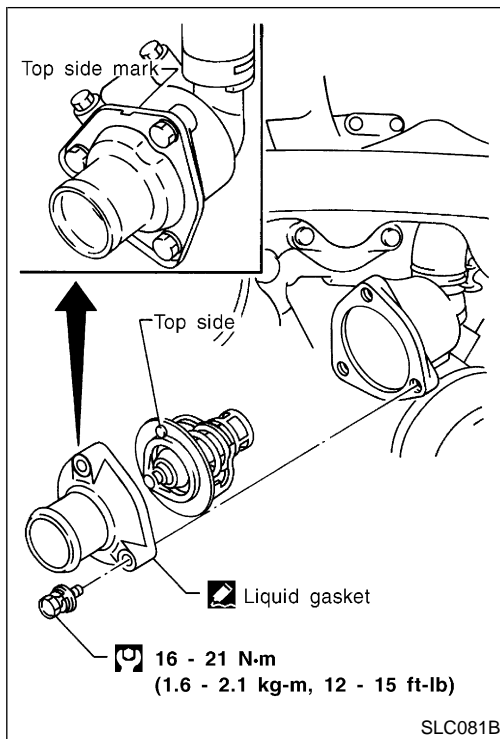
When filling radiator with coolant, refer to MA-27, "Changing Engine Coolant".

When installing drive belts, refer to MA-25, "Checking Drive Belts".

Thermostat

REMOVAL

1. Drain engine coolant from drain plugs on radiator. NELC0020
2. Remove radiator hoses (upper and lower) and fan shroud.
3. Remove drive belts.
4. Remove pulley bracket.
5. Remove water inlet and thermostat assembly.



INSPECTION

NELC0021

1. Check valve seating condition at ordinary temperatures. It should seat tightly.

GI

MA

EM

LC

EC

FE

CL

MT

2. Check valve opening temperature and valve lift.

Description	VG33E	VG33ER
Valve opening temperature °C (°F)	82 (180)	76.5 (170)
Valve lift mm/°C (in/°F)	More than 10/95 (0.39/203)	

AT

TF

PD

3. Then check if valve is closed at 5°C (9°F) below valve opening temperature.

AX

INSTALLATION

NELC0022

1. Install thermostat with jiggle valve or air bleeder at upper side.

SU

BR

ST

RS

2. When installing water inlet apply liquid gasket as shown.
 - After installation, run engine for a few minutes, and check for leaks.
 - Be careful not to spill coolant over engine compartment. Use a rag to absorb coolant.

BT

HA

SC

EL

IDX

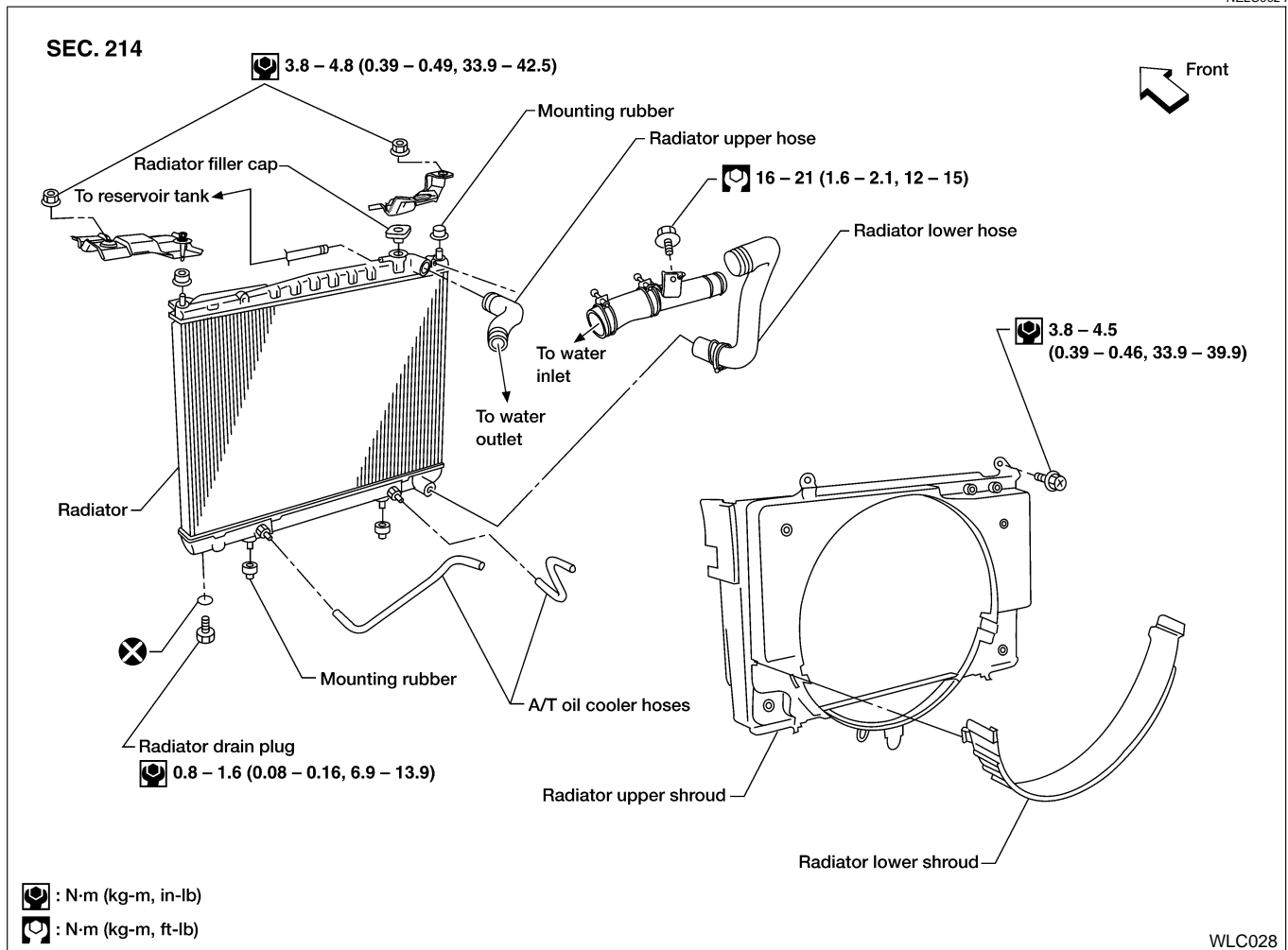
Radiator REMOVAL AND INSTALLATION

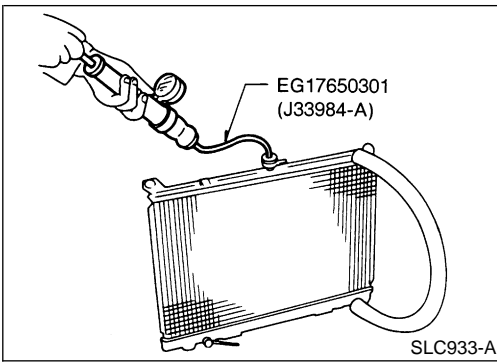
NELC0023

1. Remove under cover.
 2. Drain coolant from radiator drain plug.
 3. Remove air duct. (From mass air flow sensor to throttle body)
 4. Disconnect radiator upper and lower hoses.
 5. Remove A/T oil cooler hoses. (A/T model only)
 6. Remove radiator lower shroud.
 7. Disconnect reservoir tank hose.
 8. Remove radiator.
 9. After repairing or replacing radiator, install any part removed in reverse order of removal.
 10. Refill the engine coolant. Refer to **MA-27**, "Changing Engine Coolant".
- After installation, run the engine until it reaches operating temperature and check the system for leaks.

COMPONENTS

NELC0024



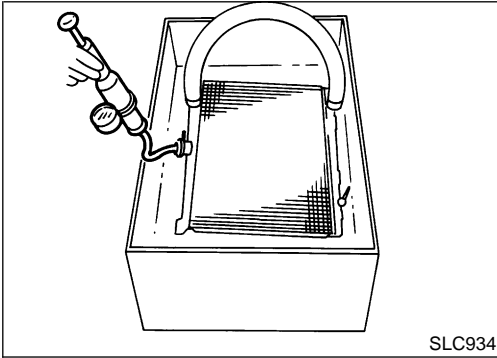


INSPECTION

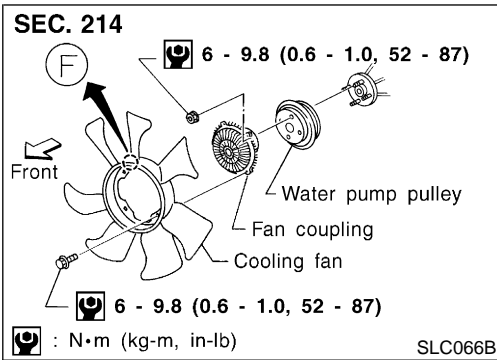
1. Apply pressure with Tool.

Specified pressure value:
157 kPa (1.6 kg/cm², 23 psi)

NELC0028



2. Check for leakage.

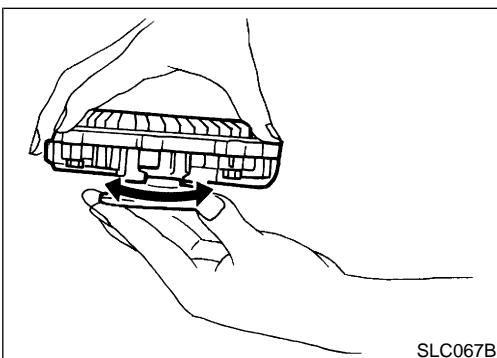


Cooling Fan (Crankshaft driven)

REMOVAL AND INSTALLATION

- Do not release the drive belt tension by removing the fan/water pump pulley.
- Fan coupling cannot be disassembled and should be replaced as a unit. If front mark **F** is present, install fan so that side marked **F** faces the front.
- Install the drive belt only after the fan and fan coupling to water pump flange bolts/nuts have been properly torqued.
- Proper alignment of these components is essential. Improper alignment will cause them to wobble and may eventually cause the fan to separate from the water pump causing extensive damage.

NELC0029

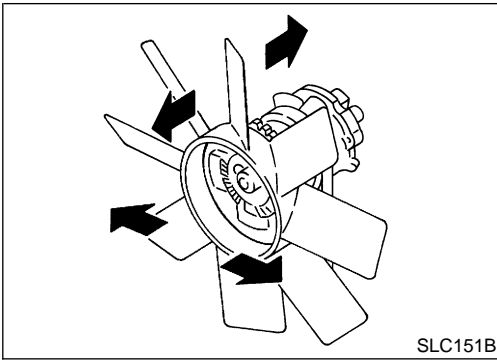


INSPECTION

Check fan coupling for rough operation, wobbling, oil leakage or bent bimetal.

NELC0030

Cooling Fan (Crankshaft driven) (Cont'd)



After assembly, verify the fan does not wobble or flap while the engine is running.

WARNING:

- When the engine is running, keep hands and clothing away from moving parts such as drive belts and fan.

Refilling Engine Coolant

For details on refilling engine coolant, refer to "REFILLING ENGINE COOLANT", ^{NELC0031}MA-27.

GI

MA

EM

LC

Overheating Cause Analysis

NELC0032

		Symptom	Check items		
Cooling system parts malfunction	Poor heat transfer	Water pump malfunction	—	—	
		Thermostat stuck closed	—		
		Damaged fins	Dust contamination or paper clogging		
			Mechanical damage		
		Clogged radiator cooling tube	Excess foreign material (rust, dirt, sand, etc.)		
	Reduced air flow	Cooling fan does not operate	—	—	
		High resistance to fan rotation			
		Damaged fan blades			
		Damaged radiator shroud	—	—	
		Improper coolant mixture ratio	—	—	
		Poor coolant quality	—	—	
	Insufficient coolant	Coolant leaks	Cooling hose	Loose clamp	
				Cracked hose	
			Water pump	Poor sealing	
			Radiator cap	Loose	
Poor sealing					
Radiator			O-ring for damage, deterioration or improper fitting		
		Cracked radiator tank			
		Cracked radiator core			
	Reservoir tank	Cracked reservoir tank			
Overflowing reservoir tank	Exhaust gas leaks into cooling system	Cylinder head deterioration			
		Cylinder head gasket deterioration			

EC

FE

CL

MT

AT

TF

PD

AX

SU

BR

ST

RS

BT

HA

SC

EL

IDX

ENGINE COOLING SYSTEM

VG33E AND VG33ER

Overheating Cause Analysis (Cont'd)

	Symptom		Check items	
Except cooling system parts malfunction	—	Overload on engine	Abusive driving	High engine rpm under no-load
				Driving in low gear for extended time
				Driving at extremely high speed
			—	Powertrain system malfunction
				Installed improper size wheels and tires
				Dragging brakes
	Blocked or restricted air flow	Blocked or restricted air flow	Blocked bumper	—
			Blocked radiator grille	Installed car brassiere
				Mud contamination or paper clogging
			Blocked radiator	—
Blocked condenser			—	
Installed large fog lamp	—			

Service Data and Specifications (SDS)

THERMOSTAT

NELC0033

Description	VG33E	VG33ER
Valve opening temperature °C (°F)	82 (180)	76.5 (170)
Valve lift mm/°C (in/°F)	More than 10/95 (0.39/203)	

RADIATOR

NELC0034
Unit: kPa (kg/cm², psi)

Cap relief pressure	Standard	78 - 98 (0.8 - 1.0, 11 - 14)
	Limit	59 - 98 (0.6 - 1.0, 9 - 14)
Leakage test pressure	157 (1.6, 23)	