

# SECTION **SRS**

## SUPPLEMENTAL RESTRAINT SYSTEM (SRS)

A  
B  
C  
D  
E  
F  
G  
H  
I  
J  
K  
L  
M

### CONTENTS

<p><b>PRECAUTIONS</b> ..... 3</p> <p>    Precautions for Supplemental Restraint System (SRS) “AIR BAG” and “SEAT BELT PRE-TENSIONER” ..... 3</p> <p>    Precautions for SRS “Air Bag” and “Seat Belt Pre-tensioner” Service ..... 3</p> <p>    Wiring Diagrams and Trouble Diagnosis ..... 4</p> <p><b>PREPARATION</b> ..... 5</p> <p>    Special Service Tools ..... 5</p> <p><b>SRS CONFIGURATION</b> ..... 6</p> <p>    Description ..... 6</p> <p>        PASSENGER AIR BAG DEACTIVATION SWITCH (2-DOOR MODELS) ..... 7</p> <p>    SRS Component Parts Location ..... 7</p> <p>    Direct-connect SRS Component Connectors ..... 8</p> <p><b>TROUBLE DIAGNOSIS</b> ..... 9</p> <p>    Trouble Diagnoses Introduction ..... 9</p> <p>        DIAGNOSIS FUNCTION ..... 9</p> <p>        DIAGNOSIS MODE FOR CONSULT-II ..... 9</p> <p>        HOW TO CHANGE SELF-DIAGNOSIS MODE WITH CONSULT-II ..... 10</p> <p>        HOW TO CHANGE SELF-DIAGNOSIS MODE WITHOUT CONSULT-II ..... 10</p> <p>        HOW TO ERASE SELF-DIAGNOSIS RESULTS... 11</p> <p>    How to Perform Trouble Diagnoses for Quick and Accurate Repair ..... 12</p> <p>        INFORMATION FROM CUSTOMER ..... 12</p> <p>        PRELIMINARY CHECK ..... 12</p> <p>        WORK FLOW ..... 13</p> <p>    Schematic ..... 14</p> <p>        4-DOOR MODELS ..... 14</p> <p>    Wiring Diagram — SRS — ..... 15</p> <p>        2-DOOR MODELS ..... 15</p> <p>        4-DOOR MODELS ..... 17</p> <p>    Passenger Air Bag Deactivation Switch Indicator Operation Check ..... 20</p> <p>    SRS Operation Check ..... 20</p> <p>        DIAGNOSTIC PROCEDURE 1 ..... 20</p> <p>    Trouble Diagnoses with CONSULT-II ..... 21</p> <p>        DIAGNOSTIC PROCEDURE 2 ..... 21</p>	<p>        DIAGNOSTIC PROCEDURE 3 ..... 26</p> <p>        DIAGNOSTIC PROCEDURE 4 (CONTINUED FROM DIAGNOSTIC PROCEDURE 2) ..... 28</p> <p>        DIAGNOSTIC PROCEDURE 5 ..... 28</p> <p>    Trouble Diagnoses without CONSULT-II ..... 33</p> <p>        DIAGNOSTIC PROCEDURE 6 ..... 33</p> <p>        DIAGNOSTIC PROCEDURE 7 ..... 37</p> <p>        DIAGNOSTIC PROCEDURE 8 (CONTINUED FROM DIAGNOSTIC PROCEDURE 6) ..... 38</p> <p>    Trouble Diagnoses: “AIR BAG” Warning Lamp Does Not Turn Off ..... 39</p> <p>        DIAGNOSTIC PROCEDURE 9 ..... 39</p> <p>    Trouble Diagnoses: “AIR BAG” Warning Lamp Does Not Turn On ..... 40</p> <p>        DIAGNOSTIC PROCEDURE 10 ..... 40</p> <p><b>DIAGNOSIS SENSOR UNIT</b> ..... 41</p> <p>    Removal and Installation ..... 41</p> <p><b>CRASH ZONE SENSOR</b> ..... 42</p> <p>    Removal and Installation ..... 42</p> <p><b>FRONT SEAT BELT PRE-TENSIONER</b> ..... 43</p> <p>    Removal and Installation ..... 43</p> <p><b>DRIVER AIR BAG MODULE AND SPIRAL CABLE..</b> 44</p> <p>    Removal and Installation ..... 44</p> <p>    Removal ..... 44</p> <p>    Installation ..... 46</p> <p><b>FRONT PASSENGER AIR BAG MODULE</b> ..... 48</p> <p>    Removal and Installation ..... 48</p> <p>        REMOVAL ..... 48</p> <p>        INSTALLATION ..... 50</p> <p><b>PASSENGER AIR BAG DEACTIVATION SWITCH..</b> 51</p> <p>    Removal ..... 51</p> <p>    Installation ..... 51</p> <p><b>PASSENGER AIR BAG DEACTIVATION SWITCH LOCK CYLINDER</b> ..... 52</p> <p>    Removal ..... 52</p> <p>    Installation ..... 52</p> <p><b>PASSENGER AIR BAG DEACTIVATION SWITCH INDICATOR</b> ..... 53</p> <p>    Removal ..... 53</p> <p>    Installation ..... 53</p>
---	--



---

<b>DISPOSAL OF AIR BAG MODULE AND SEAT BELT PRE-TENSIONER .....</b>	<b>54</b>	SEAT BELT PRE-TENSIONER WHILE MOUNTED IN VEHICLE .....	59
Disposal of Air Bag Module and Seat Belt Pre-ten- sioner .....	54	DISPOSING OF AIR BAG MODULE AND SEAT BELT PRE-TENSIONER .....	59
CHECKING DEPLOYMENT TOOL .....	54	<b>COLLISION DIAGNOSIS .....</b>	<b>60</b>
DEPLOYMENT PROCEDURES FOR AIR BAG MODULE (OUTSIDE OF VEHICLE) .....	55	Collision Diagnosis .....	60
DEPLOYMENT OF AIR BAG MODULE AND		SRS INSPECTION .....	60

# PRECAUTIONS

## PRECAUTIONS

PFP:00001

### Precautions for Supplemental Restraint System (SRS) “AIR BAG” and “SEAT BELT PRE-TENSIONER”

EHS000LU

The Supplemental Restraint System such as “AIR BAG” and “SEAT BELT PRE-TENSIONER”, used along with a front seat belt, helps to reduce the risk or severity of injury to the driver and front passenger for certain types of collision. This system may include seat belt switch inputs and dual stage front air bag modules. If equipped with dual stage front air bag modules, the SRS system uses the seat belt switches to determine the front air bag deployment, and may only deploy one front air bag, depending on the severity of a collision and whether the front occupants are belted or unbelted. Information necessary to service the system safely is included in the SRS and SB section of this Service Manual.

The vehicle may be equipped with a passenger air bag deactivation switch. Because no rear seat exists where a rear-facing child restraint can be placed, the switch is designed to turn off the passenger air bag so that a rear-facing child restraint can be used in the front passenger seat. The switch is located in the center of the instrument panel, near the ashtray. When the switch is turned to the ON position, the passenger air bag is enabled and could inflate for certain types of collision. When the switch is turned to the OFF position, the passenger air bag is disabled and will not inflate. A passenger air bag OFF indicator on the instrument panel lights up when the passenger air bag is switched OFF. The driver air bag always remains enabled and is not affected by the passenger air bag deactivation switch.

#### **WARNING:**

- **To avoid rendering the SRS inoperative, which could increase the risk of personal injury or death in the event of a collision which would result in air bag inflation, all maintenance must be performed by an authorized NISSAN/INFINITI dealer.**
- **Improper maintenance, including incorrect removal and installation of the SRS, can lead to personal injury caused by unintentional activation of the system. For removal of Spiral Cable and Air Bag Module, see the SRS section.**
- **Do not use electrical test equipment on any circuit related to the SRS unless instructed to in this Service Manual. SRS wiring harnesses can be identified by yellow and/or orange harnesses or harness connectors.**
- **The vehicle may be equipped with a passenger air bag deactivation switch which can be operated by the customer. When the passenger air bag is switched OFF, the passenger air bag is disabled and will not inflate. When the passenger air bag is switched ON, the passenger air bag is enabled and could inflate for certain types of collision. After SRS maintenance or repair, make sure the passenger air bag deactivation switch is in the same position (ON or OFF) as when the vehicle arrived for service.**

### Precautions for SRS “Air Bag” and “Seat Belt Pre-tensioner” Service

EHS000FY

- Do not use a circuit tester to check SRS circuits unless instructed to in this Service Manual.
- Before servicing the SRS, turn ignition switch OFF, disconnect both battery cables and wait at least 3 minutes.  
For approximately 3 minutes after the cables are removed, it is still possible for the air bags and seat belt pre-tensioners to deploy. Therefore, do not work on any SRS connectors or wires until at least 3 minutes have passed.
- Air bag diagnosis sensor unit must always be installed with forward mark “←” pointing toward the front of the vehicle for proper operation. Also check air bag diagnosis sensor unit for deformities, dents, cracks and rust before installation and replace as required.
- The spiral cable must be aligned in the neutral position since its rotations are limited. Do not rotate steering column while steering gear is removed to avoid damaging spiral cable.
- Handle air bag module carefully. Always place it with the pad side facing upward.
- Conduct Self-diagnosis to check entire SRS for proper function after replacing any components. Refer to [SRS-20, "SRS Operation Check"](#) .
- After air bag inflates, the instrument panel assembly should be replaced if damaged.

# PRECAUTIONS

---

## Wiring Diagrams and Trouble Diagnosis

EHS000G0

When you read wiring diagrams, refer to the following:

- [GI-13, "How to Read Wiring Diagrams"](#)
- [PG-9, "POWER SUPPLY ROUTING"](#) for power distribution circuit

When you perform trouble diagnosis, refer to the following:

- [GI-9, "HOW TO FOLLOW TEST GROUPS IN TROUBLE DIAGNOSES"](#)
- [GI-25, "How to Perform Efficient Diagnosis for an Electrical Incident"](#)

# PREPARATION

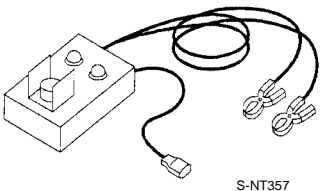
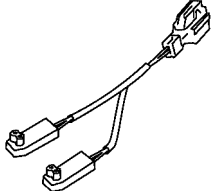
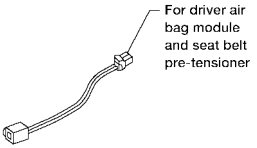
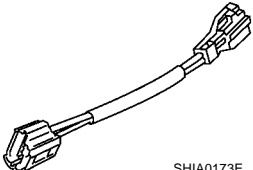
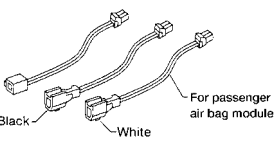
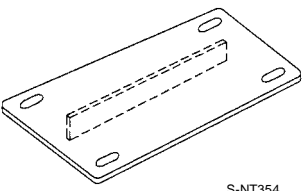

## PREPARATION

PFP:00002

### Special Service Tools

EHS000G1

The actual shapes of Kent-Moore tools may differ from those of special service tools illustrated here.

Tool number (Kent-Moore No.) Tool name	Description
KV991072S0 (J38381-KIT) Air bag deployment kit KV99106400 (J38381) Deployment tool	 Disposing of air bag module and seat belt pre-tensioner S-NT357
— (J38381-80-A) Deployment tool adapter	 For driver air bag module (4-door models) and seat belt pre-tensioner WHIA0089E
KV99109000 (J44230) Deployment tool adapter	 For driver air bag module and seat belt pre-tensioner LRS138
— (J38381-65) Deployment tool adapter for front passenger air bag module	 Connection between the deployment tool and front passenger air bag module (4-door models) SHIA0173E
KV991065S0 (J38381-30) Deployment tool adapters	 For passenger air bag module (2-door models) Black White LHIA0010E
KV99105300 (J41246) Air bag module bracket	 Anchoring air bag module S-NT354
— (J42057) Air bag master key set	 Removing and installing accessory air bag locking bolts LRS210

A

B

C

D

E

F

G

SRS

I

J

K

L

M

\*: Special tool or commercial equivalent

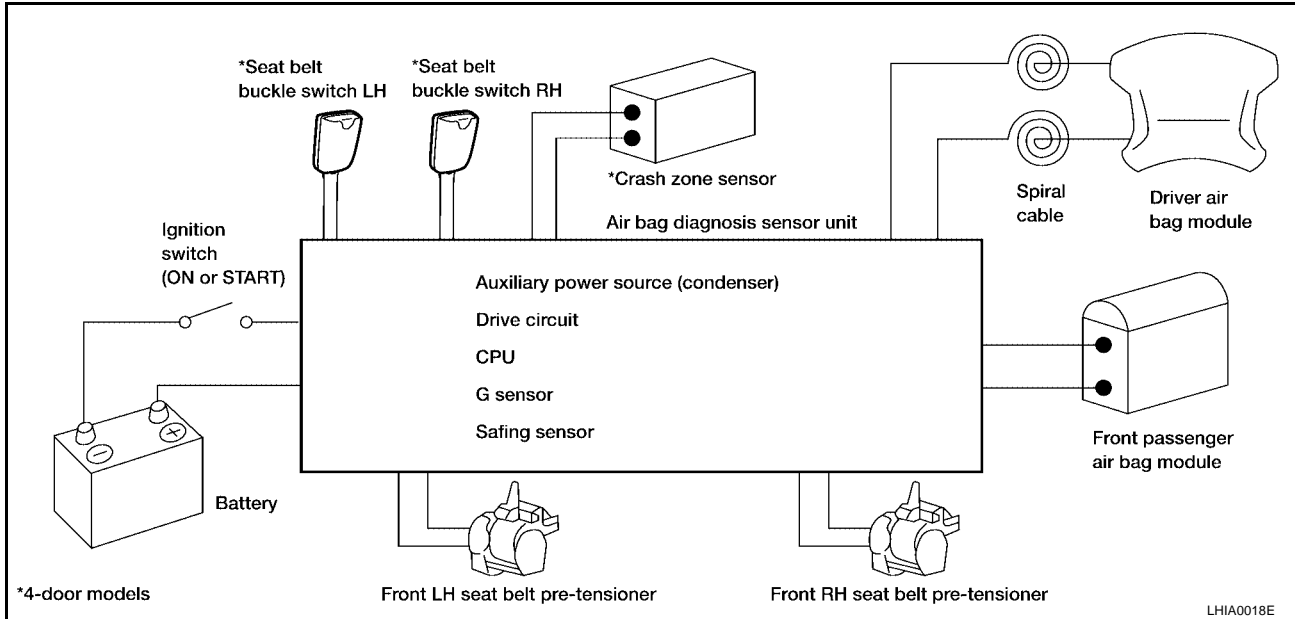
# SRS CONFIGURATION

## SRS CONFIGURATION

PFP:00000

### Description

EHS000GS



The air bags and seat belt pre-tensioners deploy if the air bag diagnosis sensor unit activates while the ignition switch is in the ON or START position.

The air bag diagnosis sensor unit will deploy the air bags and the seat belt pre-tensioners if the G sensor activates simultaneously with the safing sensor while the ignition switch is ON.

Ignition	Diagnosis sensor unit		Driver air bag	Passenger air bag	Driver seat belt pre-tensioner	Passenger seat belt pre-tensioner
	G sensor	Safing sensor				
ON	ON	ON			Deploy	
ON	—	ON			Deploy	
ON	ON	ON			Deploy	

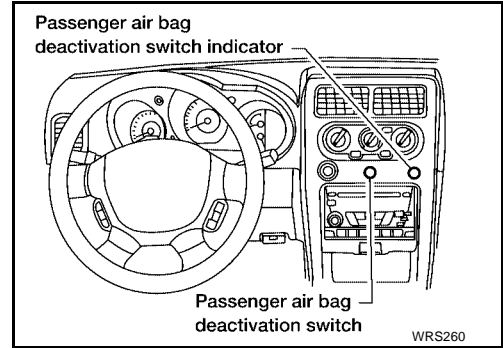
# SRS CONFIGURATION

## PASSENGER AIR BAG DEACTIVATION SWITCH (2-DOOR MODELS)

The vehicle (2-door models) is equipped with a passenger air bag deactivation switch which can be operated by the customer. When the switch is turned to the ON position, the passenger air bag is enabled and could inflate in a frontal collision. When the switch is turned to the OFF position, the passenger air bag is disabled and will not inflate in a frontal collision.

After turning the ignition switch ON, the passenger air bag deactivation switch indicator on the instrument panel illuminates for bulb check. The indicator will remain illuminated if the passenger air bag deactivation switch is in the OFF position. If the passenger air bag deactivation switch is in the ON position, the indicator will turn off after about 7 seconds.

After SRS maintenance or repair, make sure the passenger air bag deactivation switch is in the same position (ON or OFF) as when the vehicle arrived for service.

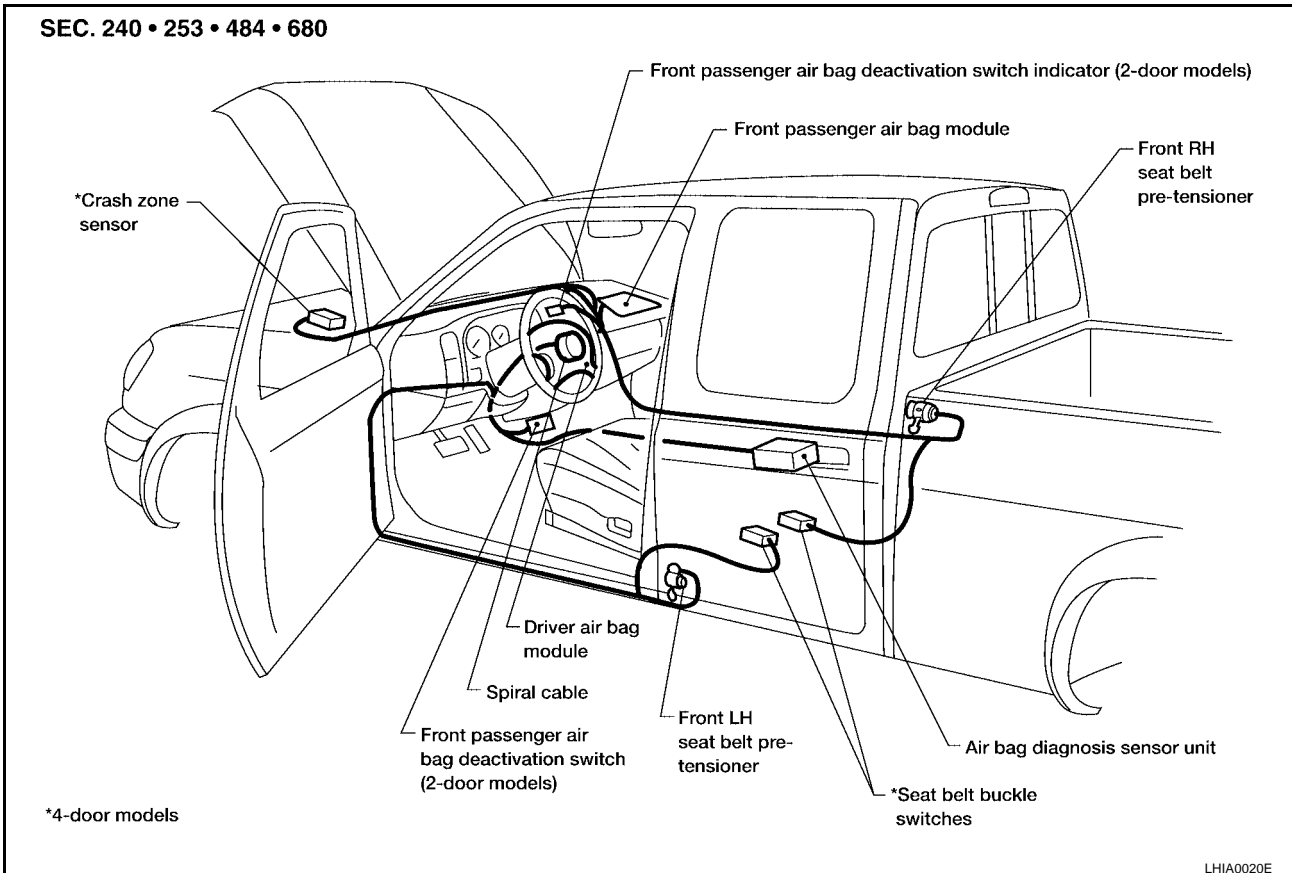


### IGN OFF → ON

Passenger air bag deactivation switch position	Passenger air bag deactivation switch indicator	Passenger air bag deployment
ON	Turns off within 7 seconds	Enabled
OFF	Remains illuminated	Disabled

## SRS Component Parts Location

EHS000LL



# SRS CONFIGURATION

EHS000LJ

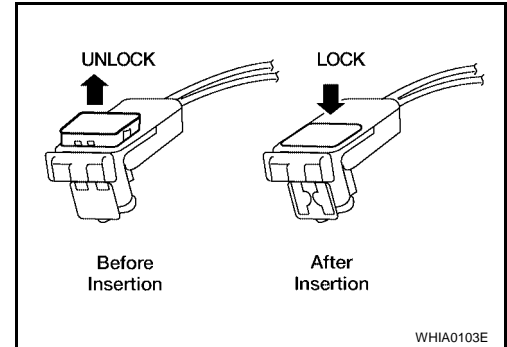
## Direct-connect SRS Component Connectors

The following SRS components use direct-connect style harness connectors.

- Driver air bag module
- Front LH seat belt pre-tensioner
- Front RH seat belt pre-tensioner

Always pull up to release black locking tab prior to removing connector from SRS component.

Always push down to lock black locking tab after installing connector to SRS component.





# TROUBLE DIAGNOSIS

## TROUBLE DIAGNOSIS

PFP:00004

### Trouble Diagnoses Introduction

EHS000GV

**CAUTION:**

- Do not use electrical test equipment on any circuit related to the SRS unless instructed to in this Service Manual. SRS wiring harnesses can be identified by yellow and/or orange harness connectors.
- Do not attempt to repair, splice or modify the SRS wiring harness. If the harness is damaged, replace it with a new one.
- Keep ground portion clean.

### DIAGNOSIS FUNCTION

The SRS self-diagnosis results can be read by using “AIR BAG” warning lamp and/or CONSULT-II. The reading of these results is accomplished using one of two modes — “User mode” and “Diagnosis mode”. The User mode is exclusively prepared for the customer (driver). This mode warns the driver of a system malfunction through the operation of the “AIR BAG” warning lamp. The Diagnosis mode allows the technician to locate and inspect the malfunctioning part. The mode applications for the “AIR BAG” warning lamp and CONSULT-II are as follows:

	User mode	Diagnosis mode	Display type
“AIR BAG” warning lamp	X	X	ON-OFF operation
CONSULT-II	—	X	Monitoring

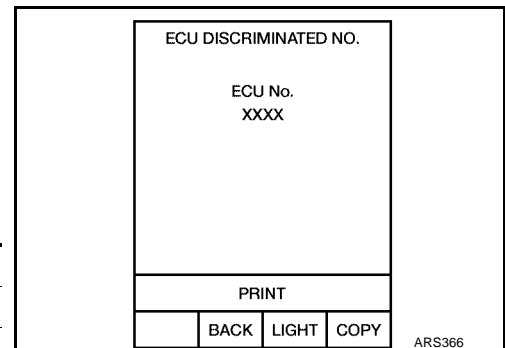
**NOTE:**

Seat belt pre-tensioner malfunction is indicated by “AIR BAG” warning lamp.

### DIAGNOSIS MODE FOR CONSULT-II

- “SELF-DIAG [CURRENT]”  
A current Self-diagnosis result (also indicated by the number of warning lamp flashes in the Diagnosis mode) is displayed on the CONSULT-II screen in real time. This refers to a malfunctioning part requiring repairs.
- “SELF-DIAG [PAST]”  
Diagnosis results previously stored in the memory are displayed on the CONSULT-II screen. The stored results are not erased until memory erasing is executed.
- “TROUBLE DIAG RECORD”  
With TROUBLE DIAG RECORD, diagnosis results previously erased by a reset operation can be displayed on the CONSULT-II screen.
- “ECU DISCRIMINATED NO.”  
The diagnosis sensor unit for each vehicle model is assigned with its own, individual classification number. This number will be displayed on the CONSULT-II screen, as shown. When replacing the diagnosis sensor unit, refer to the part number for the compatibility. After installation, replacement with a correct unit can be checked by confirming this classification number on the CONSULT-II screen.

Model	ECU Part No.	ECU Discriminated No.
2-door	28556 8Z300	A60C
4-door	28556 8Z500	A60D



A  
B  
C  
D  
E  
F  
G  
I  
J  
K  
L  
M

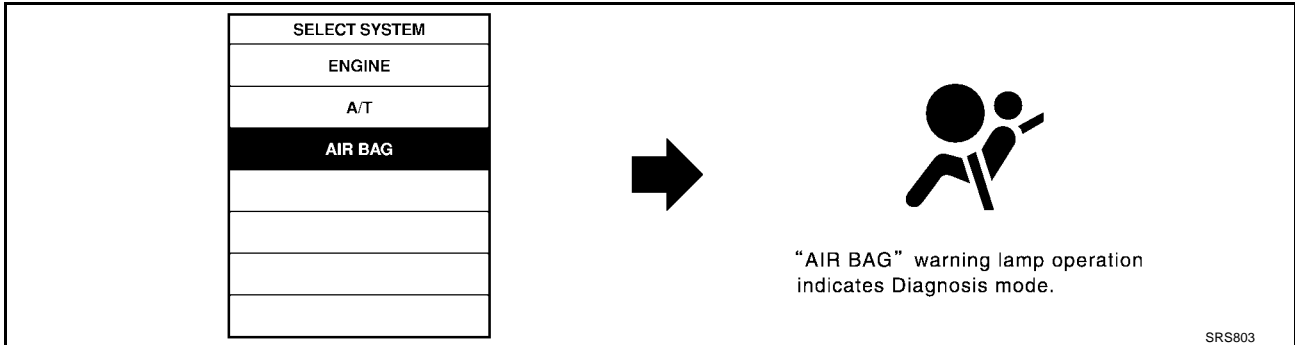
SRS

# TROUBLE DIAGNOSIS

## ④ HOW TO CHANGE SELF-DIAGNOSIS MODE WITH CONSULT-II

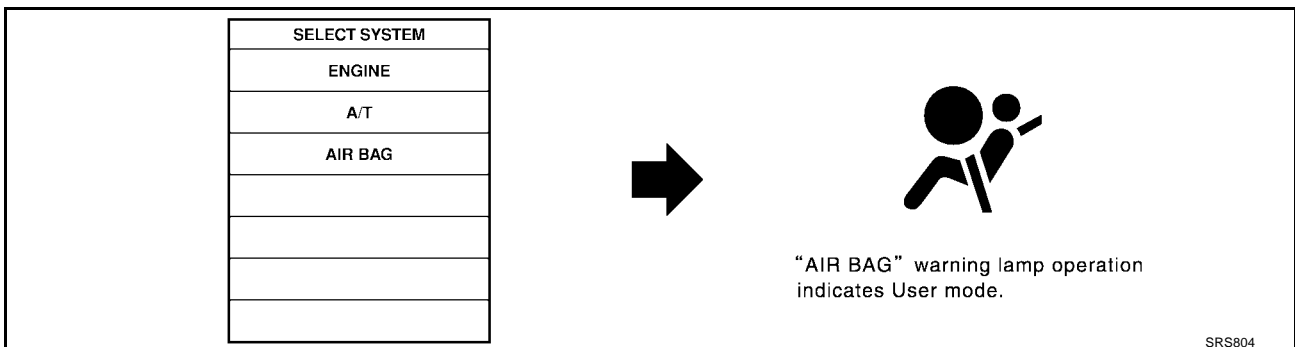
### From User Mode to Diagnosis Mode

After selecting “AIR BAG” on the “SELECT SYSTEM” screen, User mode automatically changes to Diagnosis mode.



### From Diagnosis Mode to User Mode

To return to User mode from Diagnosis mode, touch “BACK” key of CONSULT-II until “SELECT SYSTEM” appears, Diagnosis mode automatically changes to User mode.



## ⊗ HOW TO CHANGE SELF-DIAGNOSIS MODE WITHOUT CONSULT-II

### From User Mode to Diagnosis Mode

Diagnosis mode activates only when a malfunction is detected, by turning ignition switch as follows:

1. Turn ignition switch “ON”.
2. After “AIR BAG” warning lamp lights for 7 seconds, turn ignition switch “OFF” within 1 second.
3. Wait more than 3 seconds.
4. Repeat steps 1 to 3 three times.
5. Turn ignition switch “ON”.

SRS will not enter Diagnosis mode if no malfunction is detected.

### From Diagnosis Mode to User Mode

After a malfunction is repaired, switch the ignition “OFF” for at least one second, then back “ON”. Diagnosis mode is returned to User mode.

If switching Diagnosis mode to User mode is required while malfunction is being detected, by turning ignition switch as follows:

1. Turn ignition switch “ON”.
2. After “AIR BAG” warning lamp lights for 7 seconds, turn ignition switch “OFF” within 1 second.
3. Wait more than 3 seconds.
4. Repeat steps 1 to 3 three times.
5. Turn ignition switch “ON”.

# TROUBLE DIAGNOSIS

## HOW TO ERASE SELF-DIAGNOSIS RESULTS

### ④ With CONSULT-II

- “SELF-DIAG [CURRENT]”

A current self-diagnosis result is displayed on the CONSULT-II screen in real time.

After the malfunction is repaired completely, no malfunction is detected on “SELF-DIAG [CURRENT]”.

- “SELF-DIAG [PAST]”

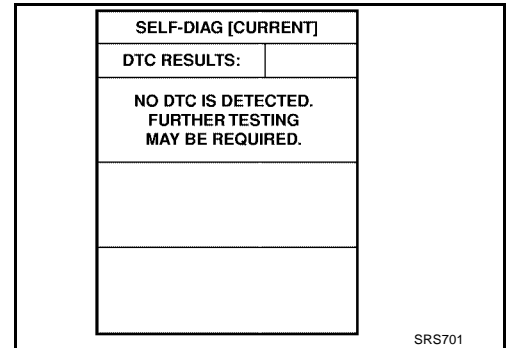
Return to the “SELF-DIAG [CURRENT]” CONSULT-II screen by pushing “BACK” key of CONSULT-II and select “SELF-DIAG [CURRENT]” in SELECT DIAG MODE. Touch “ERASE” in “SELF-DIAG [CURRENT]” mode.

**NOTE:**

**If the memory of the malfunction in “SELF-DIAG [PAST]” is not erased, the User mode shows the system malfunction by the operation of the warning lamp even if the malfunction is repaired completely.**

- “TROUBLE DIAG RECORD”

The memory of “TROUBLE DIAG RECORD” cannot be erased.



### ⊗ Without CONSULT-II

After a malfunction is repaired, switch the ignition “OFF” for at least one second, then back “ON”. Diagnosis mode returns to the User mode. At that time, the self-diagnostic result is cleared.

A  
B  
C  
D  
E  
F  
G  
I  
J  
K  
L  
M

# TROUBLE DIAGNOSIS

---

## How to Perform Trouble Diagnoses for Quick and Accurate Repair

EHS000GW

A good understanding of the malfunction conditions can make troubleshooting faster and more accurate. In general, each customer feels differently about a malfunction. It is important to fully understand the symptoms or conditions for a customer complaint.

### INFORMATION FROM CUSTOMER

WHAT..... Vehicle model

WHEN..... Date, Frequencies

WHERE..... Road conditions

HOW..... Operating conditions, Symptoms

### PRELIMINARY CHECK

Check that the following parts are in good order.

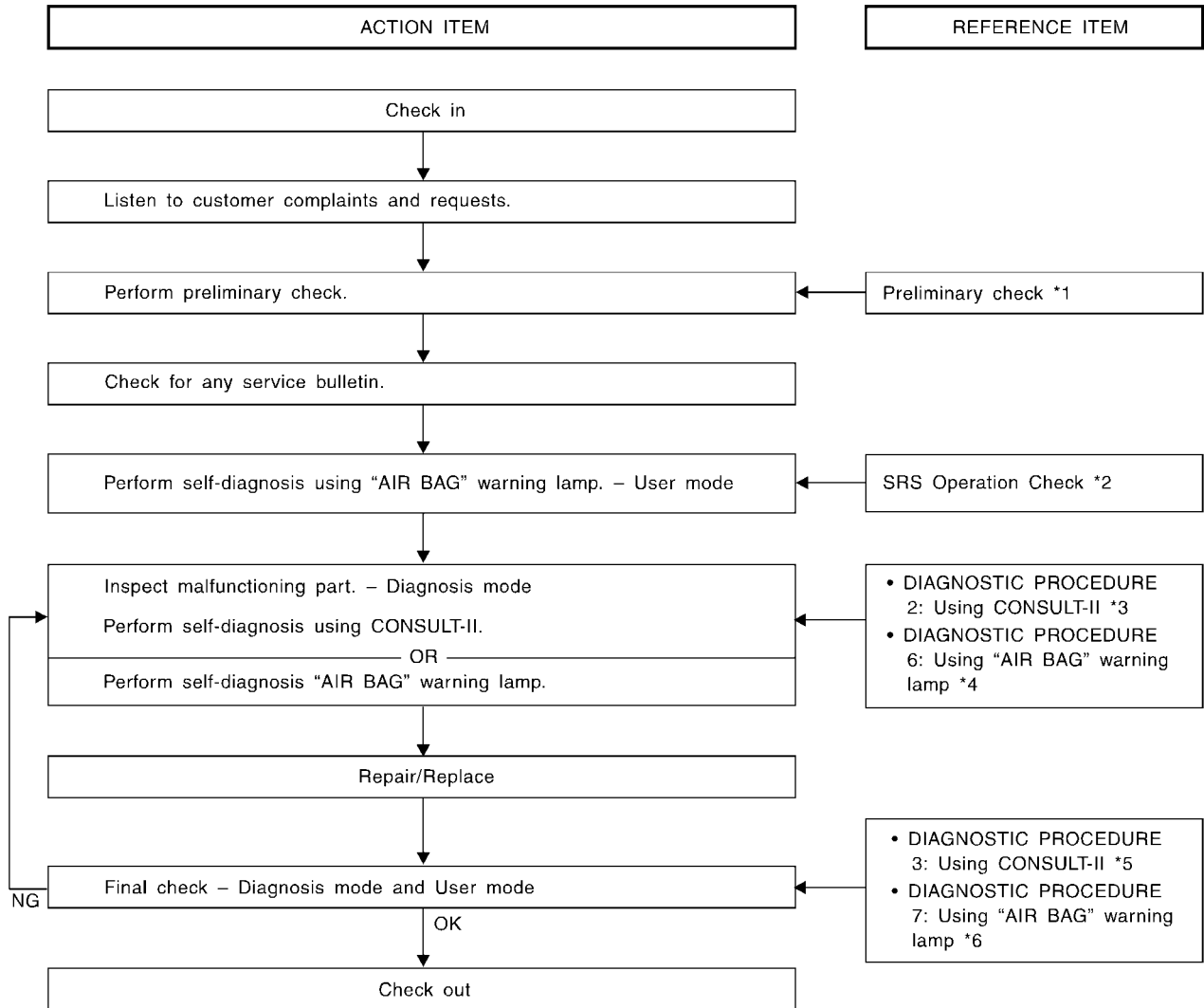
- Battery, refer to [SC-4, "BATTERY"](#)
- Fuse
- System component-to-harness connections

# TROUBLE DIAGNOSIS

## WORK FLOW

### NOTE:

Seat belt pre-tensioner malfunction is indicated by "AIR BAG" warning lamp.



A

B

C

D

E

F

G

SRS

I

J

K

L

M

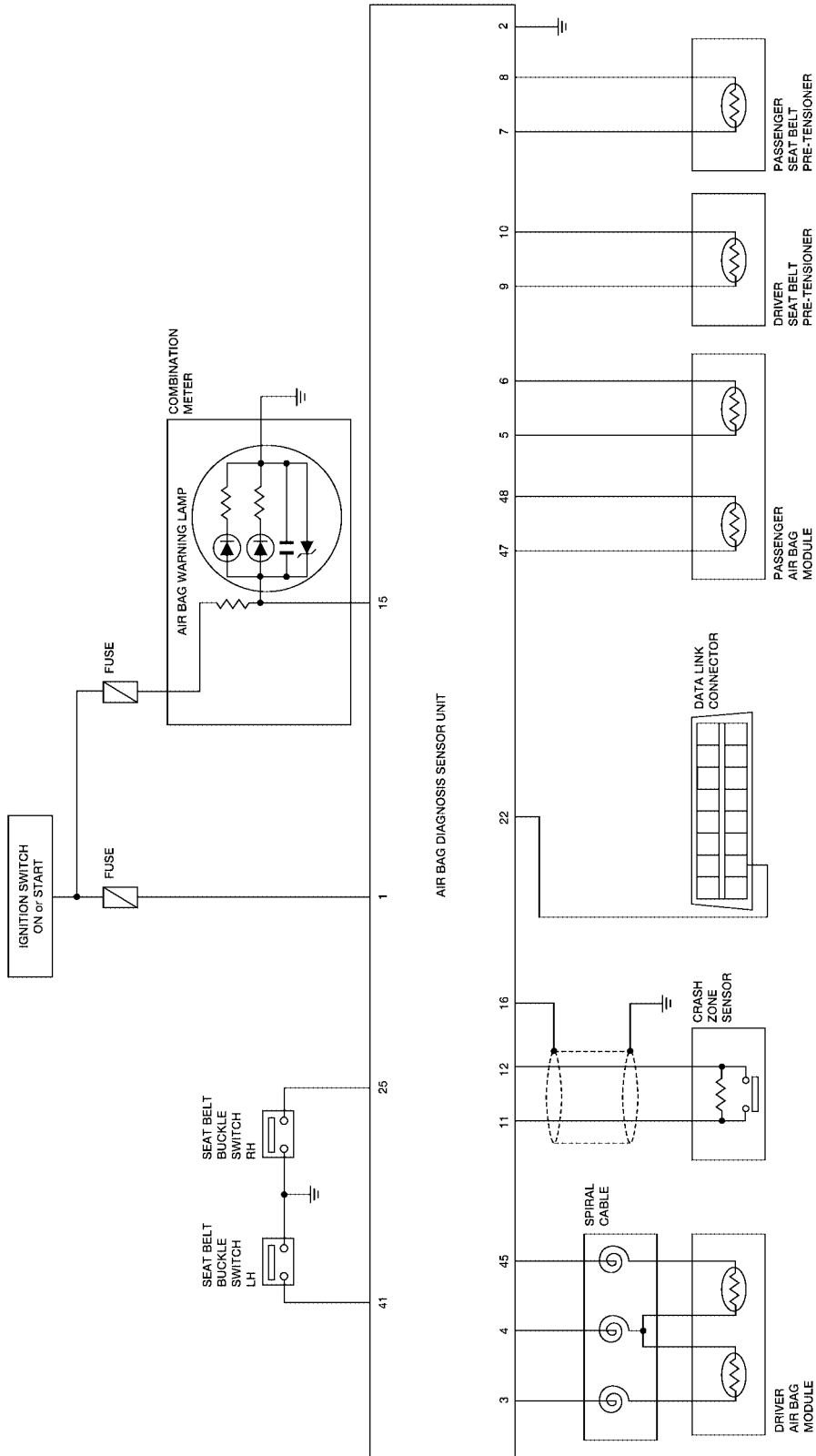
\*1: [SRS-12](#)\*2: [SRS-20](#)\*3: [SRS-21](#)\*4: [SRS-33](#)\*5: [SRS-26](#)\*6: [SRS-37](#)

SRS799

# TROUBLE DIAGNOSIS

## Schematic 4-DOOR MODELS

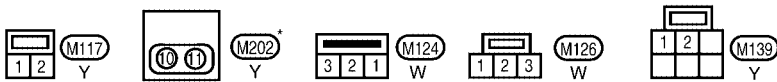
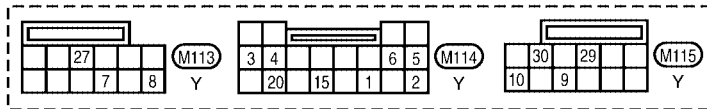
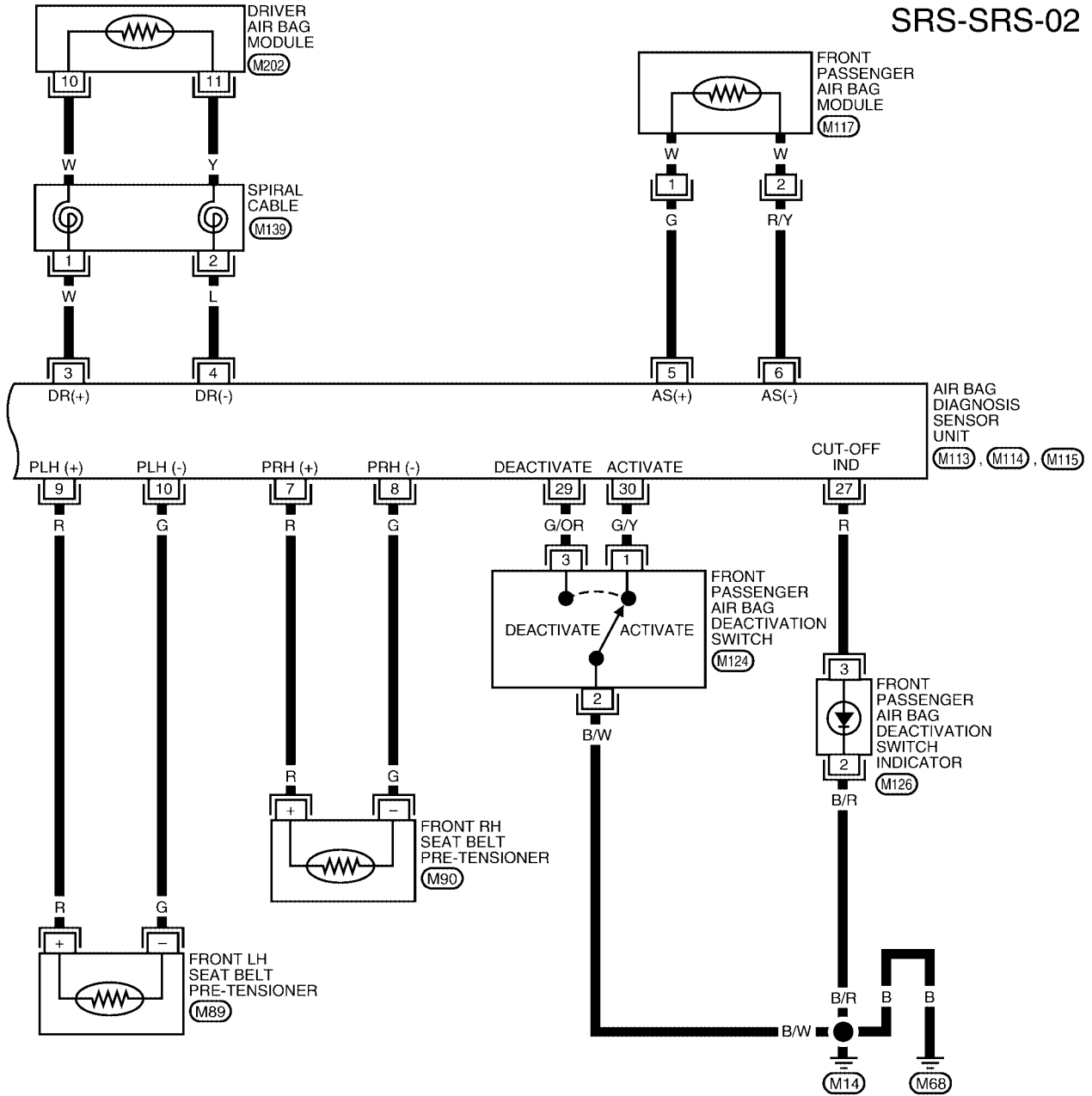
EHS000LR





# TROUBLE DIAGNOSIS

## SRS-SRS-02



\* : This connector is not shown in "HARNESS LAYOUT" of PG section.

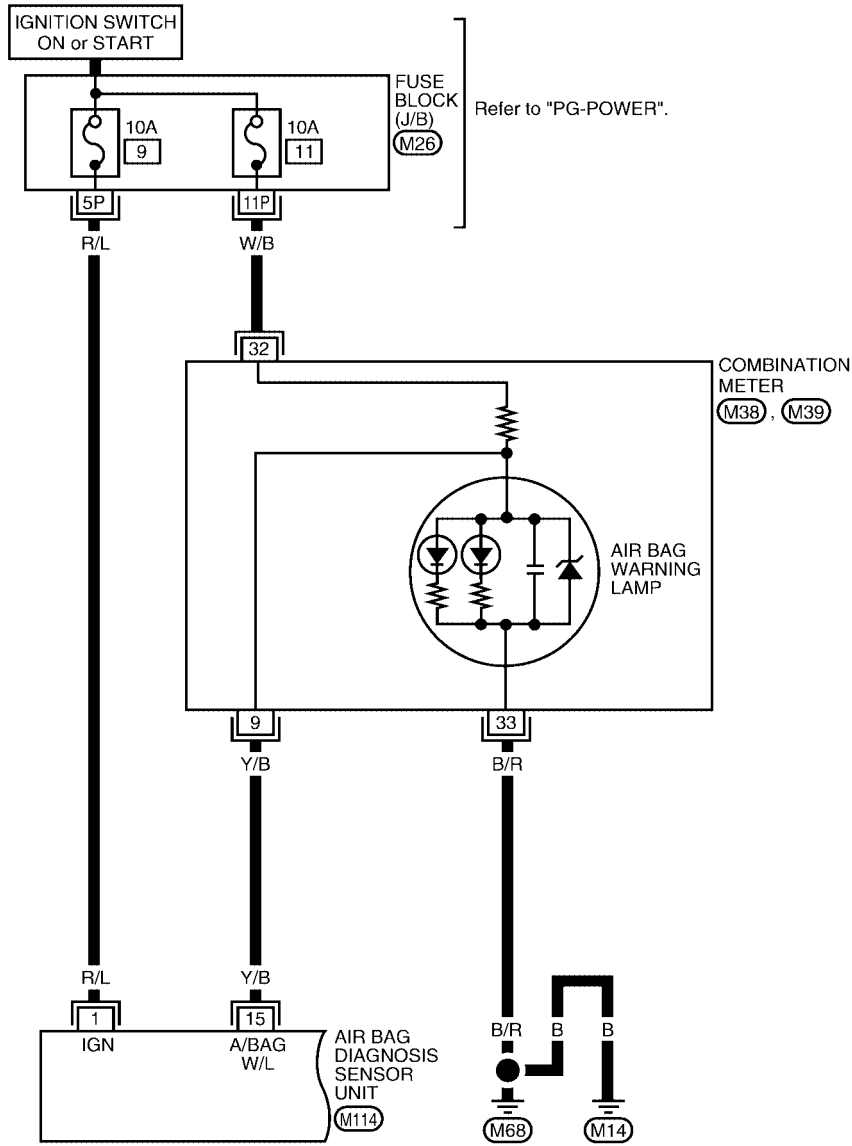


# TROUBLE DIAGNOSIS

4-DOOR MODELS

SRS-SRS-03

A  
B  
C  
D  
E  
F  
G  
I  
J  
K  
L  
M



SRS

1P	2P	3P	4P	5P	6P	7P	(M26)		
8P	9P	10P	11P	12P	13P	14P	15P	16P	W

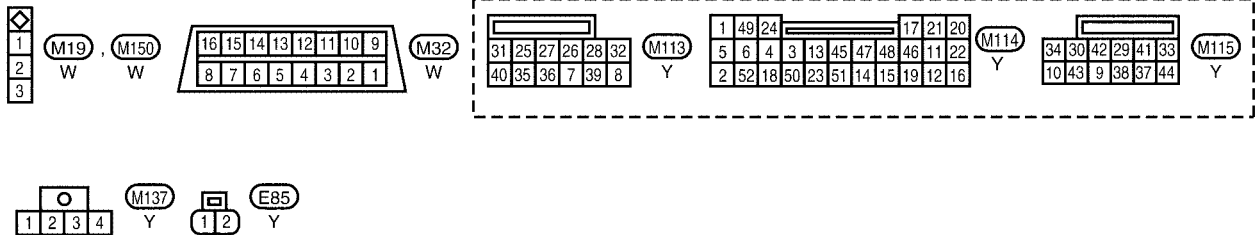
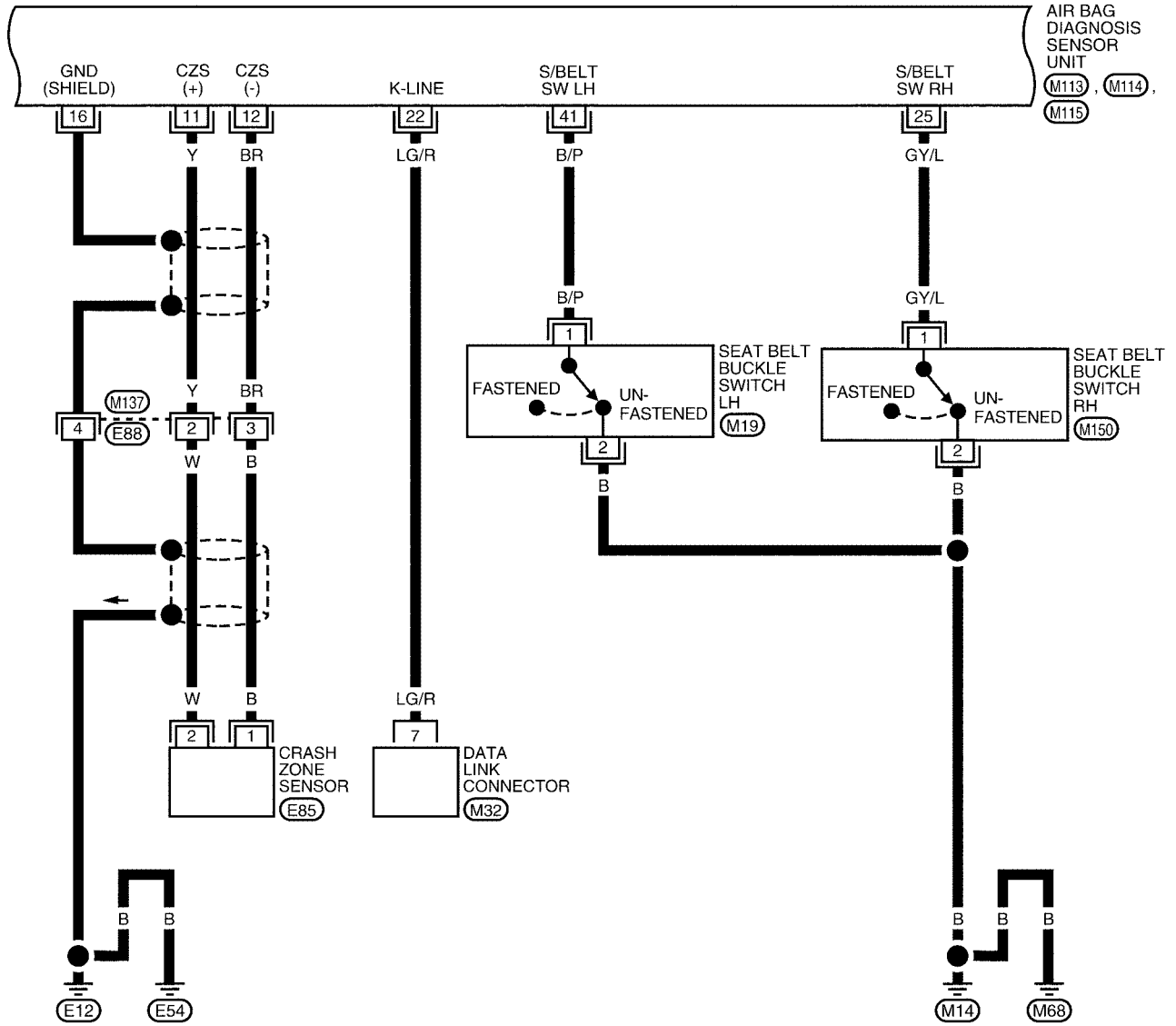
1	2	3	4	5	6	7	8	9	10	11	(M38)	25	26	27	28	29	30	31	32	33	34	35	(M39)				
12	13	14	15	16	17	18	19	20	21	22	23	24	W	36	37	38	39	40	41	42	43	44	45	46	47	48	BR

1	49	24	17	21	20	(M114)					
5	6	4	3	13	45	47	48	46	11	22	Y
2	52	18	50	23	51	14	15	19	12	16	

WHWA0025E

# TROUBLE DIAGNOSIS

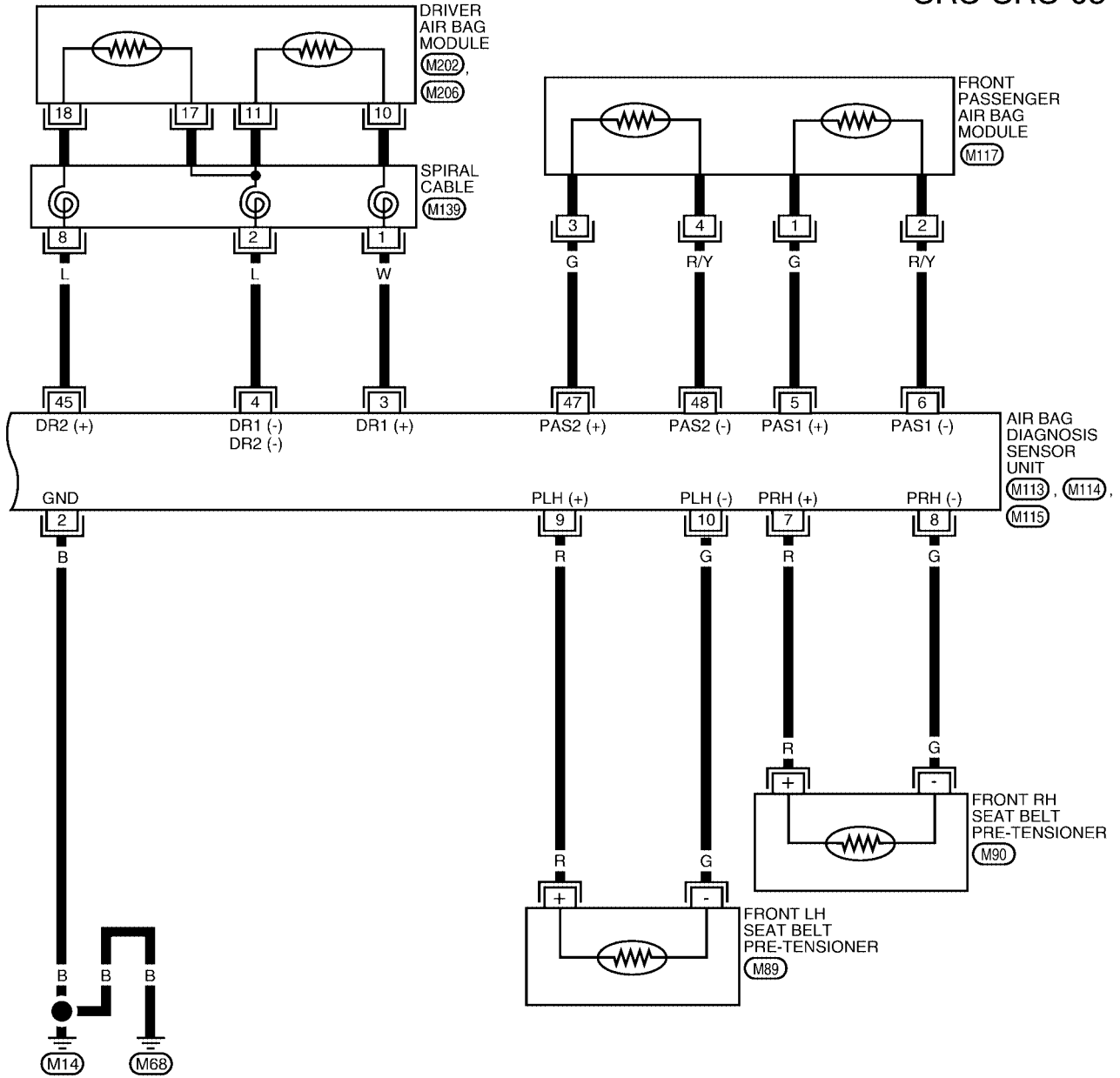
SRS-SRS-04



LHWA0002E

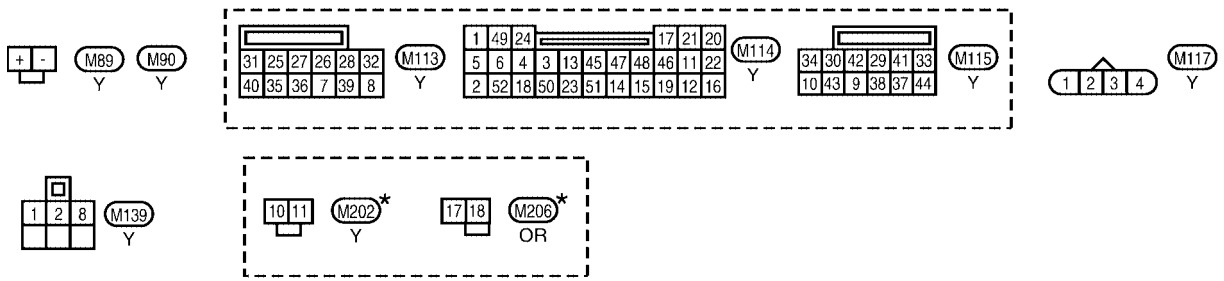
# TROUBLE DIAGNOSIS

SRS-SRS-05



A  
B  
C  
D  
E  
F  
G  
I  
J  
K  
L  
M

SRS



\*: This connector is shown in "HARNESS LAYOUT" of PG section.

# TROUBLE DIAGNOSIS

## Passenger Air Bag Deactivation Switch Indicator Operation Check

EHS000GY

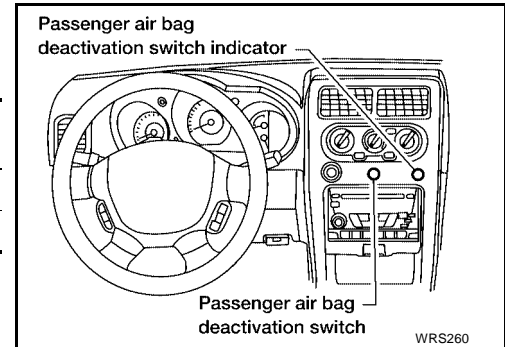
### 1. INDICATOR OPERATION CHECK

Check passenger air bag deactivation switch indicator operation when turning ignition switch ON with passenger air bag deactivation switch in ON and OFF positions.

Passenger air bag deactivation switch position	Passenger air bag deactivation switch indicator
ON	Turns off within 7 seconds
OFF	Remains illuminated

OK or NG

- OK >> Passenger air bag deactivation switch indicator operation is OK. Conduct "SRS Operation Check". Refer to [SRS-20, "SRS Operation Check"](#).
- NG >> GO TO 2.



### 2. PERFORM SELF-DIAGNOSIS

Perform self-diagnosis using "AIR BAG" warning lamp in User mode. Refer to [SRS-20, "SRS Operation Check"](#).

**NOTE:**

The passenger air bag deactivation switch indicator can only be self-diagnosed when a malfunction occurs and indicator illumination does not correspond to switch position.

OK or NG

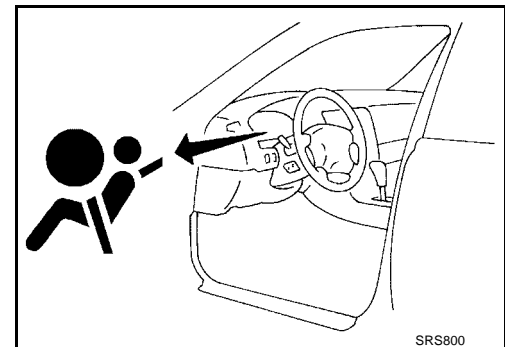
- OK >> Replace passenger air bag deactivation switch including the key cylinder. Conduct "Passenger Air Bag Deactivation Switch Indicator Operation Check" as a final check.
- NG >> Perform self-diagnosis using CONSULT-II or "AIR BAG" warning lamp in Diagnosis mode. Refer to [SRS-20, "SRS Operation Check"](#) or [SRS-33, "DIAGNOSTIC PROCEDURE 6"](#) respectively. If the passenger air bag deactivation switch indicator remains illuminated with the passenger air bag deactivation switch ON, leave passenger air bag deactivation switch in ON position during diagnosis. If the passenger air bag deactivation switch indicator does not illuminate with the passenger air bag deactivation switch OFF, leave the passenger air bag deactivation switch in the OFF position during diagnosis.

### SRS Operation Check DIAGNOSTIC PROCEDURE 1

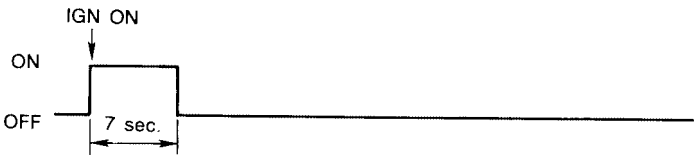
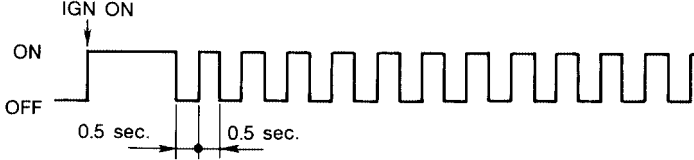
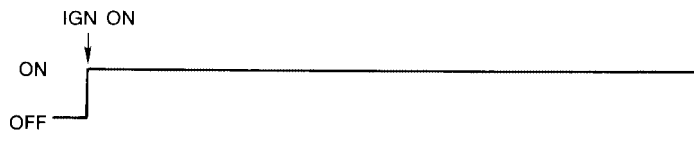
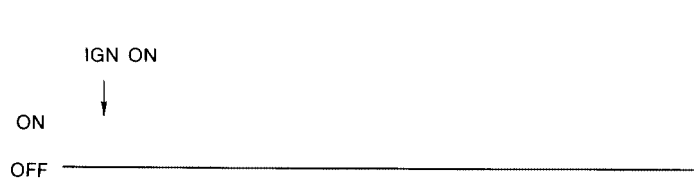
EHS000GZ

#### Checking Air Bag Operation by Using "AIR BAG" Warning Lamp — User Mode

1. After turning ignition switch from "OFF" to "ON", "AIR BAG" warning lamp operates.
2. Compare "AIR BAG" warning lamp operation to the chart below.



# TROUBLE DIAGNOSIS

"AIR BAG" warning lamp operation — User mode —	SRS condition	Reference item
	No malfunction is detected. No further action is necessary.	—
	The system is malfunctioning and needs to be repaired as indicated.	Go to <a href="#">SRS-21, "DIAGNOSTIC PROCEDURE 2"</a> , or <a href="#">SRS-33, "DIAGNOSTIC PROCEDURE 6"</a> .
	Air bag is deployed. Seat belt pre-tensioner is deployed.	Go to <a href="#">SRS-60, "Collision Diagnosis"</a> .
	Air bag fuse, diagnosis sensor unit or harness is malfunctioning and needs to be repaired. <ul style="list-style-type: none"> <li>● Meter fuse is blown.</li> <li>● "AIR BAG" warning lamp circuit has open or short.</li> <li>● Diagnosis sensor unit is malfunctioning.</li> </ul>	Go to <a href="#">SRS-39, "DIAGNOSTIC PROCEDURE 9"</a> or <a href="#">SRS-40, "DIAGNOSTIC PROCEDURE 10"</a> .

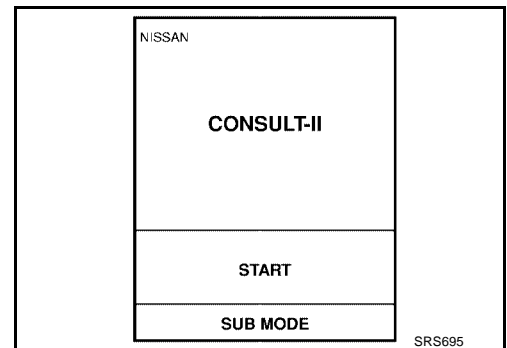
A  
B  
C  
D  
E  
F  
G  
SRS  
I  
J  
K  
L  
M

## Ⓢ Troubleshoots with CONSULT-II DIAGNOSTIC PROCEDURE 2

EHS000H0

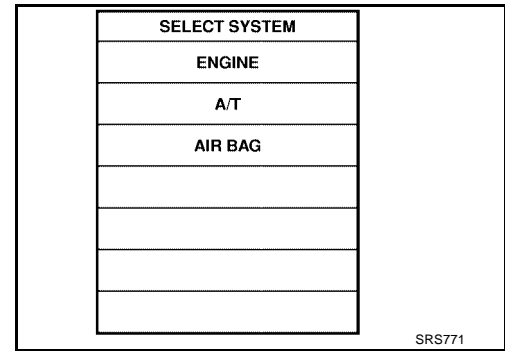
### Inspecting SRS malfunctioning parts by using CONSULT-II — Diagnosis mode

1. Turn ignition switch "OFF".
2. Connect CONSULT-II to data link connector.
3. Turn ignition switch "ON".
4. Touch "START".

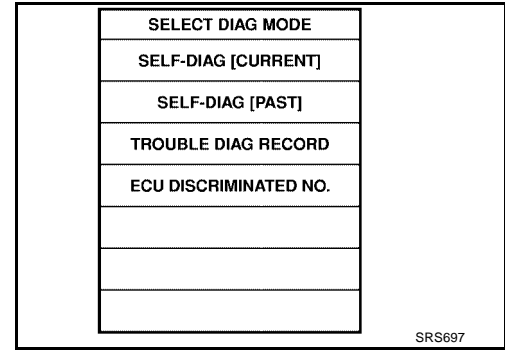


# TROUBLE DIAGNOSIS

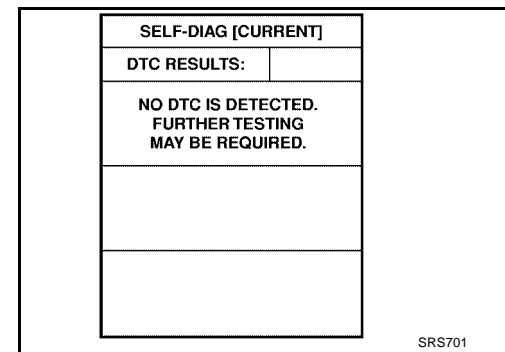
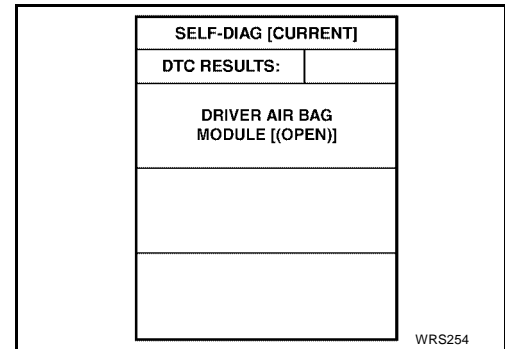
5. Touch "AIR BAG".



6. Touch "SELF-DIAG [CURRENT]".



7. Diagnostic codes are displayed on "SELF-DIAG [CURRENT]".



If no malfunction is detected on "SELF-DIAG [CURRENT]" even though malfunction is detected in "SRS Operation Check", check the battery voltage.

If the battery voltage is less than 9V, charge the battery. Then go to [SRS-26. "DIAGNOSTIC PROCEDURE 3"](#)

If the battery voltage is OK, refer to [SRS-28. "DIAGNOSTIC PROCEDURE 4 \(CONTINUED FROM DIAGNOSTIC PROCEDURE 2\)"](#), to diagnose the following cases:

- Self-diagnostic result "SELF-DIAG [PAST]" (previously stored in the memory) might not be erased after repair.
- The SRS system malfunctions intermittently.

8. Touch "COPY".

## TROUBLE DIAGNOSIS

9. Compare diagnostic codes to "CONSULT-II Diagnostic Code Chart". Refer to [SRS-24, "CONSULT-II Diagnostic Code Chart \("SELF-DIAG \[CURRENT\]\)"](#) .
10. Touch "BACK" key of CONSULT-II until "SELECT SYSTEM" appears in order to return to User mode from Diagnosis mode.
11. Turn ignition switch "OFF", then turn off and disconnect CONSULT-II, and disconnect both battery cables.
12. Repair the system as outlined by the "Repair order" in "CONSULT-II Diagnostic Code Chart", that corresponds to the self-diagnostic result. For replacement procedure of component parts, refer to the applicable Removal and Installation procedure.
13. After repairing the system, refer to [SRS-26, "DIAGNOSTIC PROCEDURE 3"](#) for final checking.

A

B

C

D

E

F

G

SRS

I

J

K

L

M

# TROUBLE DIAGNOSIS

## CONSULT-II Diagnostic Code Chart (“SELF-DIAG [CURRENT]”)

Self-diagnosis result	Explanation	Repair order **“Recheck SRS at each replacement.”
NO DTC IS DETECTED.	When malfunction is indicated by the “AIR BAG” warning lamp in User mode <ul style="list-style-type: none"> <li>● Low battery voltage (Less than 9V)</li> <li>● Self-diagnosis result “ SELF-DIAG [PAST]” (previously stored in the memory) might not have been erased after repair.</li> <li>● Intermittent malfunction has been detected in the past.</li> </ul>	<ul style="list-style-type: none"> <li>● Go to <a href="#">SRS-26. "DIAGNOSTIC PROCEDURE 3"</a> after charging battery.</li> <li>● Go to <a href="#">SRS-28. "DIAGNOSTIC PROCEDURE 4 (CONTINUED FROM DIAGNOSTIC PROCEDURE 2)"</a> .</li> </ul>
	<ul style="list-style-type: none"> <li>● No malfunction is detected.</li> </ul>	<ul style="list-style-type: none"> <li>● Go to <a href="#">SRS-26. "DIAGNOSTIC PROCEDURE 3"</a> .</li> </ul>
DRIVER AIRBAG MODULE [OPEN]	<ul style="list-style-type: none"> <li>● Driver air bag module circuit is open (including the spiral cable).</li> </ul>	<ol style="list-style-type: none"> <li>1. Visually check wiring harness connections.</li> <li>2. Replace harness if it has visible damage.</li> <li>3. Replace spiral cable.</li> <li>4. Replace driver air bag module. (Before disposing of it, it must be deployed.)</li> <li>5. Replace air bag diagnosis sensor unit.</li> <li>6. Replace the related harness.</li> </ol>
DRIVER AIRBAG MODULE [VB-SHORT]	<ul style="list-style-type: none"> <li>● Driver air bag module circuit is shorted to a power supply circuit (including the spiral cable).</li> </ul>	
DRIVER AIRBAG MODULE [GND-SHORT]	<ul style="list-style-type: none"> <li>● Driver air bag module circuit is shorted to ground (including the spiral cable).</li> </ul>	
DRIVER AIRBAG MODULE [SHORT]	<ul style="list-style-type: none"> <li>● Driver air bag module circuit is shorted between lines.</li> </ul>	
ASSIST A/B MODULE [OPEN]	<ul style="list-style-type: none"> <li>● Passenger air bag module circuit is open.</li> </ul>	<ol style="list-style-type: none"> <li>1. Visually check wiring harness connections.</li> <li>2. Replace harness if it has visible damage.</li> <li>3. Replace passenger air bag module. (Before disposing of it, it must be deployed.)</li> <li>4. Replace air bag diagnosis sensor unit.</li> <li>5. Replace the related harness.</li> </ol>
ASSIST A/B MODULE [VB-SHORT]	<ul style="list-style-type: none"> <li>● Passenger air bag module circuit is shorted to a power supply circuit.</li> </ul>	
ASSIST A/B MODULE [GND-SHORT]	<ul style="list-style-type: none"> <li>● Passenger air bag module circuit is shorted to ground.</li> </ul>	
ASSIST A/B MODULE [SHORT]	<ul style="list-style-type: none"> <li>● Passenger air bag module circuit is shorted between lines.</li> </ul>	
PRE-TEN FRONT LH [OPEN]	<ul style="list-style-type: none"> <li>● Driver seat belt pre-tensioner circuit is open.</li> </ul>	<ol style="list-style-type: none"> <li>1. Visually check wiring harness connections.</li> <li>2. Replace harness if it has visible damage.</li> <li>3. Replace the driver's seat belt. (before disposing the passenger seat belt pre-tensioner, it must be .)</li> <li>4. Replace air bag diagnosis sensor unit.</li> <li>5. Replace the related harness.</li> </ol>
PRE-TEN FRONT LH [VB-SHORT]	<ul style="list-style-type: none"> <li>● Driver seat belt pre-tensioner circuit is shorted to a power supply circuit.</li> </ul>	
PRE-TEN FRONT LH [GND-SHORT]	<ul style="list-style-type: none"> <li>● Driver seat belt pre-tensioner circuit is shorted to ground.</li> </ul>	
PRE-TEN FRONT LH [SHORT]	<ul style="list-style-type: none"> <li>● Driver seat belt pre-tensioner circuit is shorted between lines.</li> </ul>	
PRE-TEN FRONT RH [OPEN]	<ul style="list-style-type: none"> <li>● Passenger seat belt pre-tensioner circuit is open.</li> </ul>	<ol style="list-style-type: none"> <li>1. Visually check wiring harness connections.</li> <li>2. Replace harness if it has visible damage.</li> <li>3. Replace the front passenger's seat belt. (before disposing the passenger seat belt pre-tensioner, it must be activated.)</li> <li>4. Replace air bag diagnosis sensor unit.</li> <li>5. Replace the related harness.</li> </ol>
PRE-TEN FRONT RH [VB-SHORT]	<ul style="list-style-type: none"> <li>● Passenger seat belt pre-tensioner circuit is shorted to a power supply circuit.</li> </ul>	
PRE-TEN FRONT RH [GND-SHORT]	<ul style="list-style-type: none"> <li>● Passenger seat belt pre-tensioner circuit is shorted to ground.</li> </ul>	
PRE-TEN FRONT RH [SHORT]	<ul style="list-style-type: none"> <li>● Passenger seat belt pre-tensioner circuit is shorted between lines.</li> </ul>	



# TROUBLE DIAGNOSIS

Self-diagnosis result	Explanation	Repair order **“Recheck SRS at each replacement.”	A
CONTROL UNIT	<ul style="list-style-type: none"> <li>● Air bag diagnosis sensor unit is malfunctioning.</li> </ul>	<ol style="list-style-type: none"> <li>1. Visually check wiring harness connections.</li> <li>2. Replace harness if it has visible damage.</li> <li>3. Replace air bag diagnosis sensor unit.</li> <li>4. Replace the related harness.</li> </ol>	B C
Code B4 or PASS A/B DEACT SW	<ul style="list-style-type: none"> <li>● Activate terminal is open.</li> </ul>	<ol style="list-style-type: none"> <li>1. Visually check wiring harness connections.</li> <li>2. Replace harness if it has visible damage.</li> <li>3. Replace passenger air bag deactivation switch. (The key cylinder of passenger air bag deactivation switch does not have to be replaced.)</li> <li>4. Replace air bag diagnosis sensor unit.</li> <li>5. Replace the related harness.</li> </ol>	D
	<ul style="list-style-type: none"> <li>● Activate terminal is shorted to ground.</li> </ul>		E
	<ul style="list-style-type: none"> <li>● Deactivate terminal is open.</li> </ul>		F
	<ul style="list-style-type: none"> <li>● Deactivate terminal is shorted to ground.</li> </ul>		G
	<ul style="list-style-type: none"> <li>● Activate terminal and deactivate terminal are shorted to each other.</li> </ul>		G
Code B5 or PASS A/B DEACT SW INDICATOR	<ul style="list-style-type: none"> <li>● Passenger air bag deactivation switch indicator circuit is open.</li> </ul>	<ol style="list-style-type: none"> <li>1. Visually check wiring harness connections.</li> <li>2. Replace harness if it has visible damage.</li> <li>3. Replace passenger air bag deactivation switch indicator.</li> <li>4. Replace air bag diagnosis sensor unit.</li> <li>5. Replace the related harness.</li> </ol>	I
	<ul style="list-style-type: none"> <li>● Passenger air bag deactivation switch indicator circuit is shorted to some power supply circuit.</li> </ul>		J
	<ul style="list-style-type: none"> <li>● Passenger air bag deactivation switch indicator circuit is shorted to ground.</li> </ul>		J
INDEFINITE FAILURES [AIR BAGS]	<ul style="list-style-type: none"> <li>● Passenger air bag deactivation switch status is not identified.</li> </ul>	<ol style="list-style-type: none"> <li>1. Visually check wiring harness connections.</li> <li>2. Replace harness if it has visible damage.</li> <li>3. Replace passenger air bag deactivation switch (the key cylinder of the passenger air bag deactivation switch does not have to be replaced)</li> <li>4. Replace air bag diagnosis sensor unit.</li> <li>5. Replace the related harness.</li> </ol>	K L M

SRS

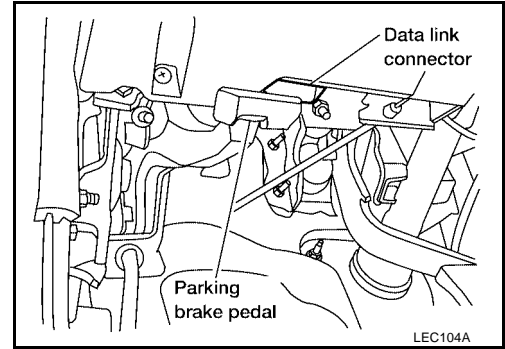
\*: Follow the procedures in numerical order when repairing malfunctioning parts. Confirm whether malfunction is eliminated using the “AIR BAG” warning lamp (in User mode) or CONSULT-II each time repair is finished. If malfunction is still observed, proceed to the next step. When malfunction is eliminated, further repair work is not required.

# TROUBLE DIAGNOSIS

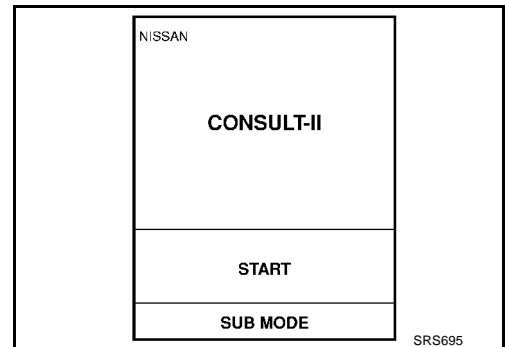
## DIAGNOSTIC PROCEDURE 3

### Final checking after repairing SRS by using CONSULT-II — Diagnosis mode

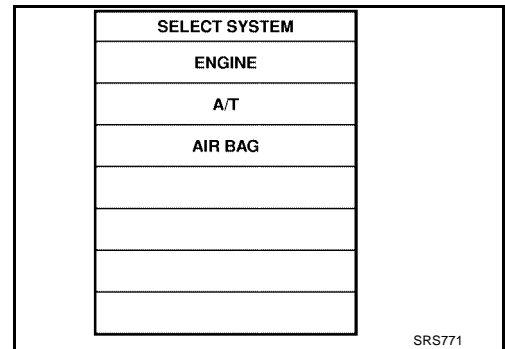
1. After repairing SRS, connect both battery cables.
2. Connect CONSULT-II to data link connector.
3. Turn ignition switch ON.



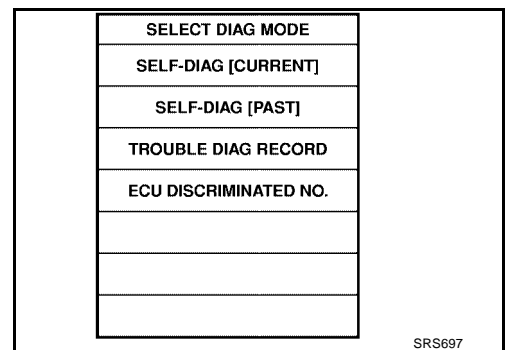
4. Touch "START".



5. Touch "AIR BAG".



6. Touch "SELF-DIAG [CURRENT]".



# TROUBLE DIAGNOSIS

7. If no malfunction is detected on "SELF-DIAG [CURRENT]", repair of SRS is completed. Refer to step 8.  
If any malfunction was detected on "SELF-DIAG [CURRENT]", the malfunctioning part is not repaired completely or another malfunctioning part is detected. Refer to [SRS-21, "DIAGNOSTIC PROCEDURE 2"](#) and repair malfunctioning part completely.

SELF-DIAG [CURRENT]	
DTC RESULTS:	
NO DTC IS DETECTED. FURTHER TESTING MAY BE REQUIRED.	

SRS701

8. Touch "ERASE".

**NOTE:**

Touch "ERASE" to clear the memory of the malfunction ("SELF-DIAG [PAST]").

If the memory of the malfunction in "SELF-DIAG [PAST]" is not erased, the User mode shows the system malfunction by the operation of the "AIR BAG" warning lamp even if the malfunction is repaired completely.

SELF-DIAG [CURRENT]	
DTC RESULTS:	
PRE-TEN FRONT LH [OPEN]	
ERASE	

WRS259

9. Touch "BACK" key of CONSULT-II to "SELECT DIAG MODE" screen. Touch "SELF-DIAG [PAST]".

SELECT DIAG MODE
SELF-DIAG [CURRENT]
SELF-DIAG [PAST]
TROUBLE DIAG RECORD
ECU DISCRIMINATED NO.

SRS697

10. Check that no malfunction is detected on "SELF-DIAG [PAST]".  
11. Touch "BACK" key of CONSULT-II until "SELECT SYSTEM" appears in order to return to User mode from Diagnosis mode.  
12. Turn ignition switch OFF, then turn off and disconnect CONSULT-II.  
13. Go to [SRS-20, "SRS Operation Check"](#) to check SRS operation by using "AIR BAG" warning lamp with User mode.

SELF-DIAG [PAST]	
DTC RESULTS:	
NO DTC IS DETECTED. FURTHER TESTING MAY BE REQUIRED.	

SRS702

A  
B  
C  
D  
E  
F  
G

SRS

I  
J  
K  
L  
M

# TROUBLE DIAGNOSIS

## DIAGNOSTIC PROCEDURE 4 (CONTINUED FROM DIAGNOSTIC PROCEDURE 2)

### Inspecting SRS malfunction record

#### 1. CHECK FOR PROBLEM CODE THAT MIGHT NOT HAVE BEEN ERASED AFTER PREVIOUS REPAIR

Is it the first time for maintenance of SRS?

Yes or No

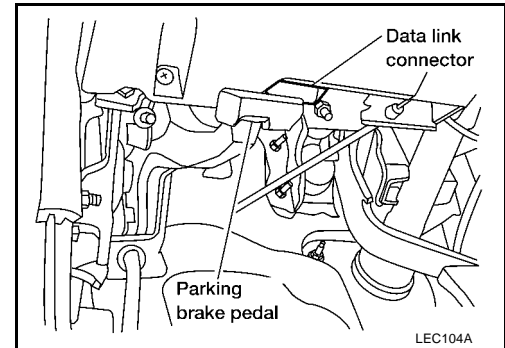
Yes >> Go to [SRS-28, "DIAGNOSTIC PROCEDURE 5"](#).

No >> Self-diagnosis result "SELF-DIAG [PAST]" (previously stored in the memory) might not have been erased after repair. Go to [SRS-26, "DIAGNOSTIC PROCEDURE 3"](#).

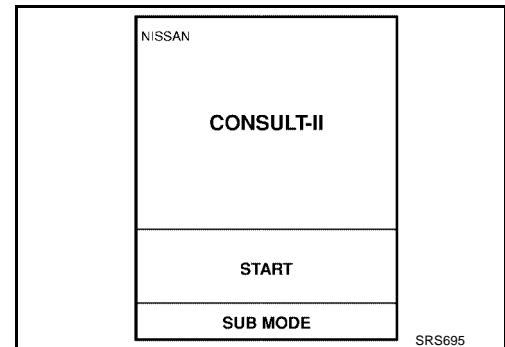
### DIAGNOSTIC PROCEDURE 5

#### Inspecting SRS intermittent malfunction by using CONSULT-II — Diagnosis mode

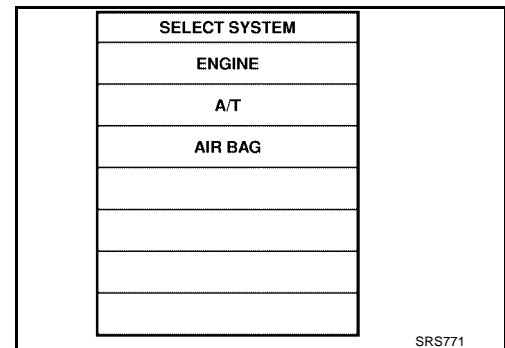
1. Turn ignition switch OFF.
2. Connect CONSULT-II to data link connector.
3. Turn ignition switch ON.



4. Touch "START".



5. Touch "AIR BAG".



# TROUBLE DIAGNOSIS

6. Touch "SELF-DIAG [PAST]".

SELECT DIAG MODE
SELF-DIAG [CURRENT]
SELF-DIAG [PAST]
TROUBLE DIAG RECORD
ECU DISCRIMINATED NO.

SRS697

A  
B  
C  
D  
E  
F  
G

7. If self-diagnosis result is displayed on "SELF-DIAG [PAST]", go to step 10.  
If no malfunction is detected on "SELF-DIAG [PAST]", touch "BACK" and go back to "SELECT DIAG MODE".

SELF-DIAG [PAST]	
DTC RESULTS:	
DRIVER AIR BAG MODULE [(OPEN)]	

WRS256

SELF-DIAG [PAST]	
DTC RESULTS:	
NO DTC IS DETECTED. FURTHER TESTING MAY BE REQUIRED.	

SRS702

SRS

I  
J  
K  
L  
M

8. Touch "TROUBLE DIAG RECORD".

**NOTE:**  
With "TROUBLE DIAG RECORD", self-diagnosis results previously erased by a reset operation can be displayed.

SELECT DIAG MODE
SELF-DIAG [CURRENT]
SELF-DIAG [PAST]
TROUBLE DIAG RECORD
ECU DISCRIMINATED NO.

SRS697

9. Self-diagnosis result is displayed on "TROUBLE DIAG RECORD".

10. Touch "PRINT".

11. Compare self-diagnosis result to [SRS-31, "Intermittent Malfunction Diagnostic Code Chart \(SELF-DIAG \[PAST\] or TROUBLE DIAG RECORD\)"](#).

12. Touch "BACK" key of CONSULT-II until "SELECT SYSTEM" appears.

13. Turn ignition switch OFF, then turn off and disconnect CONSULT-II, and both battery cables.

TROUBLE DIAG RECORD	
DTC RESULTS:	
DRIVER AIR BAG MODULE [(OPEN)]	

WRS257

## TROUBLE DIAGNOSIS

---

14. Repair the system as outlined by the repair order that corresponds to the self-diagnosis result in [SRS-31, "Intermittent Malfunction Diagnostic Code Chart \(SELF-DIAG \[PAST\] or TROUBLE DIAG RECORD\)"](#) .  
For replacement procedure of component parts, refer to [SRS-7, "SRS Component Parts Location"](#) .
15. Go to [SRS-26, "DIAGNOSTIC PROCEDURE 3"](#) for final checking.

# TROUBLE DIAGNOSIS

## Intermittent Malfunction Diagnostic Code Chart (SELF-DIAG [PAST] or TROUBLE DIAG RECORD)

Self-diagnosis result	Explanation		Repair order*
NO DTC IS DETECTED.	When malfunction is indicated by the "AIR BAG" warning lamp in User mode	<ul style="list-style-type: none"> <li>● Low battery voltage (Less than 9V)</li> </ul>	<ul style="list-style-type: none"> <li>● Go to <a href="#">SRS-26, "DIAGNOSTIC PROCEDURE 3"</a> after charging battery.</li> </ul>
	<ul style="list-style-type: none"> <li>● No malfunction is detected.</li> </ul>		<ul style="list-style-type: none"> <li>● Go to <a href="#">SRS-26, "DIAGNOSTIC PROCEDURE 3"</a>.</li> </ul>
DRIVER AIRBAG MODULE [OPEN]	<ul style="list-style-type: none"> <li>● Driver air bag module circuit is open (including the spiral cable).</li> </ul>		<ol style="list-style-type: none"> <li>1. Visually check the wiring harness connection.</li> <li>2. Replace the harness if it has visible damage.</li> <li>3. If the harness check result is OK, replace driver air bag module (before disposal of it, it must be deployed), diagnosis sensor unit and spiral cable.</li> </ol>
DRIVER AIRBAG MODULE [VB-SHORT]	<ul style="list-style-type: none"> <li>● Driver air bag module circuit is shorted to a power supply circuit (including the spiral cable).</li> </ul>		
DRIVER AIRBAG MODULE [GND-SHORT]	<ul style="list-style-type: none"> <li>● Driver air bag module circuit is shorted to ground (including the spiral cable).</li> </ul>		
DRIVER AIRBAG MODULE [SHORT]	<ul style="list-style-type: none"> <li>● Driver air bag module circuit is shorted between lines.</li> </ul>		
ASSIST A/B MODULE [VB-SHORT]	<ul style="list-style-type: none"> <li>● Front passenger air bag module circuit is shorted to a power supply circuit.</li> </ul>		<ol style="list-style-type: none"> <li>1. Visually check the wiring harness connection.</li> <li>2. Replace the harness if it has visible damage.</li> <li>3. If the harness check result is OK, replace front passenger air bag module (before disposal of it, it must be deployed), and diagnosis sensor unit.</li> </ol>
ASSIST A/B MODULE [OPEN]	<ul style="list-style-type: none"> <li>● Front passenger air bag module circuit is open.</li> </ul>		
ASSIST A/B MODULE [GND-SHORT]	<ul style="list-style-type: none"> <li>● Front passenger air bag module circuit is shorted to ground.</li> </ul>		
ASSIST A/B MODULE [SHORT]	<ul style="list-style-type: none"> <li>● Front passenger air bag module circuit is shorted between lines.</li> </ul>		
PRE-TEN FRONT LH [OPEN]	<ul style="list-style-type: none"> <li>● Driver seat belt pre-tensioner circuit is open.</li> </ul>		<ol style="list-style-type: none"> <li>1. Visually check the wiring harness connections.</li> <li>2. Replace the harness if it has visible damage.</li> <li>3. If the harness check is OK, replace the diagnosis sensor unit and driver seat belt. (Before disposing the driver seat belt pre-tensioner, it must be activated.)</li> </ol>
PRE-TEN FRONT LH [VB-SHORT]	<ul style="list-style-type: none"> <li>● Driver seat belt pre-tensioner circuit is shorted to a power supply circuit.</li> </ul>		
PRE-TEN FRONT LH [GND-SHORT]	<ul style="list-style-type: none"> <li>● Driver seat belt pre-tensioner circuit is shorted to ground.</li> </ul>		
PRE-TEN FRONT LH [SHORT]	<ul style="list-style-type: none"> <li>● Driver seat belt pre-tensioner circuit is shorted between lines.</li> </ul>		
PRE-TEN FRONT RH [OPEN]	<ul style="list-style-type: none"> <li>● Passenger seat belt pre-tensioner circuit is open.</li> </ul>		<ol style="list-style-type: none"> <li>1. Visually check the wiring harness connections.</li> <li>2. Replace the harness if it has visible damage.</li> <li>3. If the harness check is OK, replace the diagnosis sensor unit and front passenger seat belt. (Before disposing the passenger seat belt pre-tensioner, it must be activated.)</li> </ol>
PRE-TEN FRONT RH [VB-SHORT]	<ul style="list-style-type: none"> <li>● Passenger seat belt pre-tensioner circuit is shorted to a power supply circuit.</li> </ul>		
PRE-TEN FRONT RH [GND-SHORT]	<ul style="list-style-type: none"> <li>● Passenger seat belt pre-tensioner circuit is shorted to ground.</li> </ul>		
PRE-TEN FRONT RH [SHORT]	<ul style="list-style-type: none"> <li>● Passenger seat belt pre-tensioner circuit is shorted between lines.</li> </ul>		
CONTROL UNIT	<ul style="list-style-type: none"> <li>● Diagnosis sensor unit is malfunctioning.</li> </ul>		<ol style="list-style-type: none"> <li>1. Visually check the wiring harness connection.</li> <li>2. Replace the harness if it has visible damage.</li> <li>3. If the harness check is OK, replace the diagnosis sensor unit.</li> <li>4. If the harness check is OK, replace the diagnosis sensor unit.</li> </ol>

A  
B  
C  
D  
E  
F  
G

SRS

I  
J  
K  
L  
M

## TROUBLE DIAGNOSIS

Self-diagnosis result	Explanation	Repair order*
Code B4 or PASS A/B DEACT SW	● Activate terminal is open.	<ol style="list-style-type: none"> <li>1. Visually check wiring harness connections.</li> <li>2. Replace harness if it has visible damage.</li> <li>3. If the harness visual check result is OK, replace passenger air bag deactivation switch. (The key cylinder of passenger air bag deactivation switch does not have to be replaced.)</li> </ol>
	● Activate terminal is shorted to ground.	
	● Deactivate terminal is open.	
	● Deactivate terminal is shorted to ground.	
	● Activate terminal and deactivate terminal are shorted to each other.	
Code B5 or PASS A/B DEACT SW INDICATOR	● Passenger air bag deactivation switch indicator circuit is open.	<ol style="list-style-type: none"> <li>1. Visually check wiring harness connections.</li> <li>2. Replace harness if it has visible damage.</li> <li>3. If the harness visual check result is OK, replace passenger air bag deactivation switch indicator.</li> </ol>
	● Passenger air bag deactivation switch indicator circuit is shorted to some power supply circuit.	
	● Passenger air bag deactivation switch indicator circuit is shorted to ground.	
INDEFINITE FAILURES [AIR BAGS]	● Passenger air bag deactivation switch status is not identified.	<ol style="list-style-type: none"> <li>1. Visually check wiring harness connections.</li> <li>2. Replace harness if it has visible damage.</li> <li>3. Replace passenger air bag deactivation switch (the key cylinder of the passenger air bag deactivation switch does not have to be replaced)</li> <li>4. Replace air bag diagnosis sensor unit.</li> <li>5. Replace the related harness.</li> </ol>

\*: Intermittent malfunction areas cannot be easily located. For this reason, perform the procedures outlined under the repair order, then make the final system check.



# TROUBLE DIAGNOSIS

EHS000H1

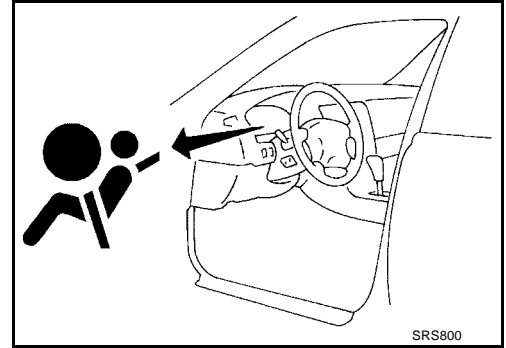
## ⊗ Trouble Diagnoses without CONSULT-II DIAGNOSTIC PROCEDURE 6

Inspecting SRS malfunctioning parts by using "AIR BAG" warning lamp — Diagnosis mode

**NOTE:**

**SRS will not enter Diagnosis mode if no malfunction is detected in User mode.**

1. Turn ignition switch "ON".
2. After "AIR BAG" warning lamp lights for 7 seconds, turn ignition switch "OFF" within 1 second.
3. Wait more than 3 seconds.
4. Repeat steps 1 to 3 three times.
5. Turn ignition switch "ON".  
SRS is now in Diagnosis mode.
6. "AIR BAG" warning lamp operates in Diagnosis mode as follows:



**NOTE:**

If SRS does not enter Diagnosis mode even though malfunction is detected in User mode, check the battery voltage.

If the battery voltage is less than 9V, charge the battery. Then refer to [SRS-37, "DIAGNOSTIC PROCEDURE 7"](#).

If the battery voltage is OK, replace the diagnosis sensor unit.

No.	"AIR BAG" warning lamp flash pattern — Diagnosis mode —	SRS condition
1		<p>a through b are repeated.</p> <ul style="list-style-type: none"> <li>● Diagnosis results (previously stored in the memory) might not be erased after repair.</li> <li>● Intermittent malfunction has been detected in the past.</li> </ul> <p>Go to <a href="#">SRS-38, "DIAGNOSTIC PROCEDURE 8 (CONTINUED FROM DIAGNOSTIC PROCEDURE 6)"</a>.</p>
2		<p>a through d are repeated.</p> <p><b>b</b> — Driver and passenger air bag and seat belt pre-tensioner marker (For identifying driver air bag, passenger air bag and/or seat belt pre-tensioners malfunctioning)</p> <p><b>d</b> — Indicates malfunctioning part. The number of flash varies with malfunctioning part (0.5 sec. ON and 0.5 sec. OFF is counted as one flash.)</p> <p>The system is malfunctioning and needs to be repaired.</p>

A  
B  
C  
D  
E  
F  
G  
  
SRS  
  
I  
J  
K  
L  
M

## TROUBLE DIAGNOSIS

---

7. Malfunctioning part is indicated by the number of flashes (part **d** ). Compare the number of flashes to “Air Bag Warning Lamp Flash Code Chart”. Refer to [SRS-35, "Air Bag Warning Lamp Flash Code Chart \(Diagnosis Mode\)"](#) , and locate malfunctioning part.
8. Turn ignition switch “OFF”, and disconnect both battery cables.
9. Repair the system as outlined by the “Repair order” in “Warning Lamp Flash Code Chart” that corresponds to the flash code. For replacement procedure of component parts, refer to the applicable Removal and Installation procedure.
10. After repairing the system, refer to [SRS-37, "DIAGNOSTIC PROCEDURE 7"](#) .

# TROUBLE DIAGNOSIS

## Air Bag Warning Lamp Flash Code Chart (Diagnosis Mode)

Warning lamp	Flash code d (# of flashes)	Explanation	Repair order <b>*Recheck SRS at each replacement.</b>
"AIR BAG" warning lamp	0	<ul style="list-style-type: none"> <li>● Self-diagnosis result (previously stored in the memory) might not have been erased after repair.</li> <li>● Intermittent malfunction has been detected in the past.</li> </ul>	Go to <a href="#">SRS-38. "DIAGNOSTIC PROCEDURE 8 (CONTINUED FROM DIAGNOSTIC PROCEDURE 6)"</a> .
	1	The driver seat belt pre-tensioner circuit is malfunctioning.	<ol style="list-style-type: none"> <li>1. Visually check wiring harness connections.</li> <li>2. Replace harness if it has visible damage.</li> <li>3. Replace driver seat belt pre-tensioner. (Before disposing, it must be deactivated.)</li> <li>4. Replace air bag diagnosis sensor unit.</li> <li>5. Replace the related harness.</li> </ol>
	2	The driver air bag module circuit is malfunctioning.	<ol style="list-style-type: none"> <li>1. Visually check wiring harness connections.</li> <li>2. Replace harness if it has visible damage.</li> <li>3. Replace spiral cable.</li> <li>4. Replace driver air bag module. (Before disposing of it, it must be deployed.)</li> <li>5. Replace air bag diagnosis sensor unit.</li> <li>6. Replace the related harness.</li> </ol>
	3	The passenger seat belt pre-tensioner circuit is malfunctioning.	<ol style="list-style-type: none"> <li>1. Visually check wiring harness connections.</li> <li>2. Replace harness if it has visible damage.</li> <li>3. Replace passenger seat belt pre-tensioner. (Before disposing of it, it must be deactivated.)</li> <li>4. Replace air bag diagnosis sensor unit.</li> <li>5. Replace the related harness.</li> </ol>
	7	The air bag diagnosis sensor unit is malfunctioning.	<ol style="list-style-type: none"> <li>1. Visually check wiring harness connections.</li> <li>2. Replace harness if it has visible damage.</li> <li>3. Replace air bag diagnosis sensor unit.</li> <li>4. Replace the related harness.</li> </ol>
	8	The passenger air bag module circuit is malfunctioning.	<ol style="list-style-type: none"> <li>1. Visually check wiring harness connections.</li> <li>2. Replace harness if it has visible damage.</li> <li>3. Replace passenger air bag module. (Before disposing of it, it must be deployed.)</li> <li>4. Replace air bag diagnosis sensor unit.</li> <li>5. Replace the related harness.</li> </ol>
	9	Passenger air bag deactivation switch is not identified.	<ol style="list-style-type: none"> <li>1. Visually check wiring harness connections.</li> <li>2. Replace harness if it has visible damage.</li> <li>3. Replace passenger air bag deactivation switch. (The key cylinder of the deactivation switch does not have to be replaced.)</li> <li>4. Replace air bag diagnosis sensor unit.</li> <li>5. Replace the related harness.</li> </ol>

A  
B  
C  
D  
E  
F  
G  
I  
J  
K  
L  
M

SRS

## TROUBLE DIAGNOSIS

Warning lamp	Flash code d (# of flashes)	Explanation	Repair order <b>*Recheck SRS at each replacement.</b>
"AIR BAG" warning lamp	10	Passenger air bag deactivation switch is malfunctioning.	<ol style="list-style-type: none"> <li>1. Visually check wiring harness connections.</li> <li>2. Replace harness if it has visible damage.</li> <li>3. Replace passenger air bag deactivation switch. (The key cylinder of the deactivation switch does not have to be replaced.)</li> <li>4. Replace air bag diagnosis sensor unit.</li> <li>5. Replace the related harness.</li> </ol>
	11	Passenger air bag deactivation switch indicator is malfunctioning.	<ol style="list-style-type: none"> <li>1. Visually check wiring harness connections.</li> <li>2. Replace harness if it has visible damage.</li> <li>3. Replace passenger air bag deactivation switch indicator.</li> <li>4. Replace air bag diagnosis sensor unit.</li> <li>5. Replace the related harness.</li> </ol>

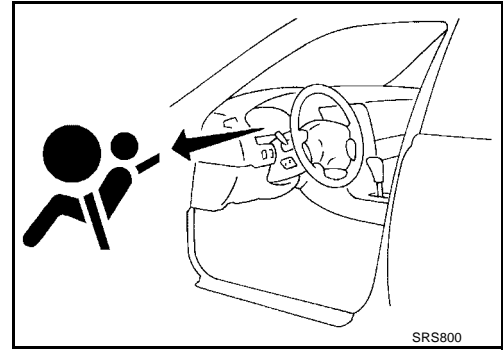
\* Follow the procedures in numerical order when repairing malfunctioning parts. Confirm whether malfunction is eliminated using the "AIR BAG" warning lamp (in User mode) or CONSULT-II each time repair is finished. If malfunction is still observed, proceed to the next step. When malfunction is eliminated, further repair work is not required.

# TROUBLE DIAGNOSIS

## DIAGNOSTIC PROCEDURE 7

### Final checking after repairing SRS by using "AIR BAG" warning lamp — Diagnosis mode and User mode

1. After repairing SRS connect both battery cables.
2. Open driver's door.
3. Turn ignition switch from "OFF" to "ON".
4. "AIR BAG" warning lamp operates in Diagnosis mode as follows:



No.	"AIR BAG" warning lamp flash pattern — Diagnosis mode —	SRS condition
1	<p>SRS333</p>	<p><b>a</b> through <b>b</b> are repeated.</p> <p>No malfunction is detected or repair is completed. No further action is necessary.</p>
2	<p>SRS341</p>	<p><b>a</b> through <b>d</b> are repeated.</p> <p><b>b</b> — Driver and passenger air bag and seat belt pre-tensioner marker (For identifying driver air bag, passenger air bag and/or seat belt pre-tensioners malfunctioning)</p> <p><b>d</b> — Indicates malfunctioning part. The number of flashes varies with malfunctioning part (0.5 sec. ON and 0.5 sec. OFF is counted as one flash.)</p> <p>The system is malfunctioning and needs to be repaired.</p>

#### NOTE:

When diagnosis sensor unit is replaced with new one, "AIR BAG" warning lamp will operate in User mode. Checking "AIR BAG" warning lamp operation in Diagnosis mode is not required. Go to step 6.

5. If "AIR BAG" warning lamp operates as shown in No. 1 in chart above, turn ignition switch "OFF" to reset from Diagnosis mode to User mode and to erase the memory of the malfunction. Then go to step 6.  
If "AIR BAG" warning lamp operates as shown in No. 2 or No. 3 in chart above, the malfunctioning part is not repaired completely, or another malfunctioning part is detected. Refer to [SRS-33, "DIAGNOSTIC PROCEDURE 6"](#), and repair malfunctioning part completely.
6. Turn ignition switch "ON". "AIR BAG" warning lamp operates in User mode. Compare "AIR BAG" warning lamp operation to the chart below.

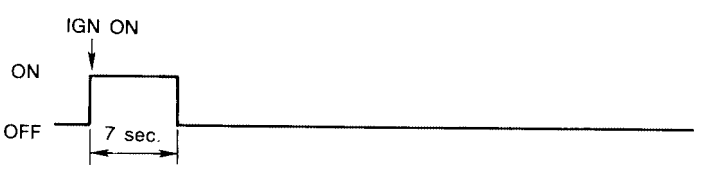
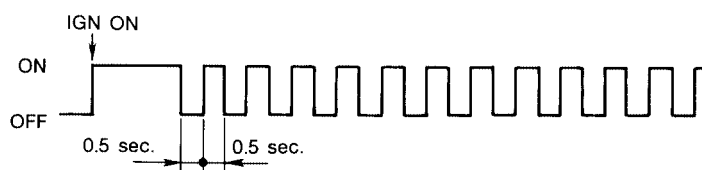
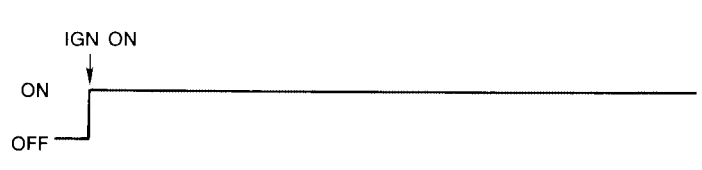
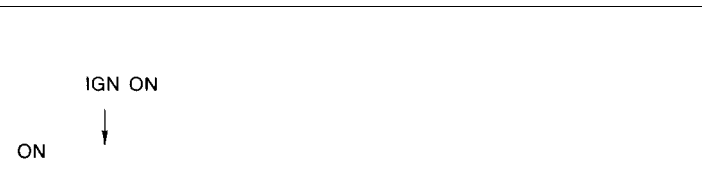
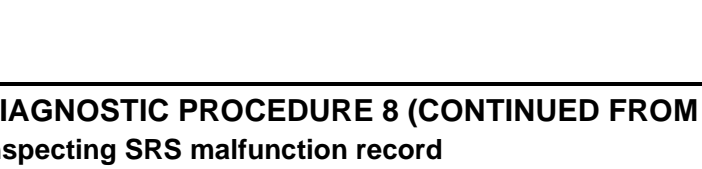
#### NOTE:

If switching Diagnosis mode to User mode is required while malfunction is being detected, by turning ignition switch as follows:

1. Turn ignition switch "ON".
2. After "AIR BAG" warning lamp lights for 7 seconds, turn ignition switch "OFF" within 1 second.
3. Wait more than 3 seconds.
4. Repeat steps 1 to 3 three times.
5. Turn ignition switch "ON".

SRS is now in User mode.

# TROUBLE DIAGNOSIS

"AIR BAG" warning lamp operation — User mode —	SRS condition	Reference item
	No malfunction is detected. No further action is necessary.	—
	The system is malfunctioning and needs to be repaired as indicated.	Go to <a href="#">SRS-33, "DIAGNOSTIC PROCEDURE 6"</a> .
	Air bag is deployed. Seat belt pre-tensioner is deployed.	Go to <a href="#">SRS-60, "Collision Diagnosis"</a> .
	Air bag fuse, diagnosis sensor unit or harness is malfunctioning and needs to be repaired.	Go to <a href="#">SRS-39, "DIAGNOSTIC PROCEDURE 9"</a> .
	One of the following has occurred and needs to be repaired. <ul style="list-style-type: none"> <li>● Meter fuse is blown.</li> <li>● "AIR BAG" warning lamp circuit has open or short.</li> <li>● Diagnosis sensor unit is malfunctioning.</li> </ul>	Go to <a href="#">SRS-40, "DIAGNOSTIC PROCEDURE 10"</a> .

## DIAGNOSTIC PROCEDURE 8 (CONTINUED FROM DIAGNOSTIC PROCEDURE 6)

### Inspecting SRS malfunction record

#### 1. CHECK FOR PROBLEM CODE THAT MIGHT NOT HAVE BEEN ERASED AFTER PREVIOUS REPAIR

Is it the first time for maintenance of SRS?

Yes or No

- Yes >> Go to [SRS-28, "DIAGNOSTIC PROCEDURE 5"](#) . (Further inspection cannot be performed without CONSULT-II.)
- No >> Self-diagnosis result (previously stored in the memory) might not have been erased after repair. Go to [SRS-37, "DIAGNOSTIC PROCEDURE 7"](#) step 5.

# TROUBLE DIAGNOSIS

## Trouble Diagnoses: "AIR BAG" Warning Lamp Does Not Turn Off DIAGNOSTIC PROCEDURE 9

EHS000H2

### 1. CHECK FOR DEPLOYMENT OF AIR BAG MODULE

Is air bag module deployed?

Yes or No

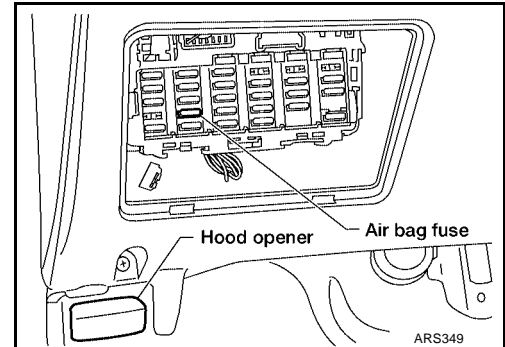
- Yes >> Refer to [SRS-60, "Collision Diagnosis"](#).
- No >> GO TO 2.

### 2. CHECK AIR BAG FUSE

Is air bag fuse OK?

OK or NG

- OK >> GO TO 4.
- NG >> GO TO 3.



### 3. CHECK AIR BAG FUSE AGAIN

Replace air bag fuse and turn ignition switch ON.

Does air bag fuse blow again?

- Yes >> Repair main harness.
- No >> **INSPECTION END**

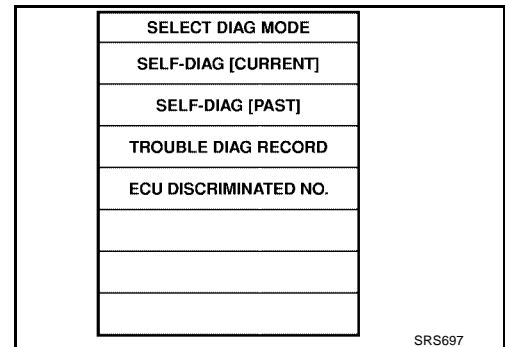
### 4. CHECK AIR BAG DIAGNOSIS SENSOR UNIT



1. Turn ignition switch OFF.
  2. Connect CONSULT-II.
  3. Turn ignition switch ON.
  4. Touch "START" on CONSULT-II screen.
- Is "AIRBAG" displayed on CONSULT-II?

Yes or No

- Yes >> GO TO 5.
- No >> Visually check wiring harness connection of air bag diagnosis sensor unit. If harness connection check result is OK, replace air bag diagnosis sensor unit.



### 5. CHECK HARNESS CONNECTION

Are harness connections between "AIR BAG" warning lamp and air bag diagnosis sensor unit OK?

OK or NG

- OK >> Replace air bag diagnosis sensor unit. Refer to [SRS-41, "Removal and Installation"](#)
- NG >> Connect combination meter, air bag diagnosis sensor unit and inline harness connectors properly. If "AIR BAG" warning lamp still does not go off, repair main harness.

A  
B  
C  
D  
E  
F  
G

SRS

I  
J  
K  
L  
M

# TROUBLE DIAGNOSIS

## Trouble Diagnoses: "AIR BAG" Warning Lamp Does Not Turn On DIAGNOSTIC PROCEDURE 10

EHS000H3

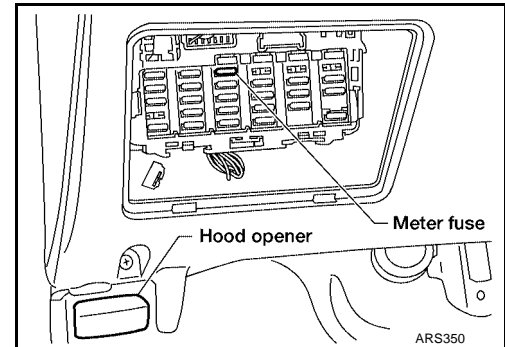
### 1. CHECK METER FUSE

Is meter fuse OK?

OK or NG

OK >> GO TO 3.

NG >> GO TO 2.



### 2. CHECK METER FUSE AGAIN

Replace meter fuse and turn ignition switch ON.

Does meter fuse blow again?

Yes >> Repair main harness.

No >> **INSPECTION END**

### 3. CHECK HARNESS CONNECTION BETWEEN AIR BAG DIAGNOSIS SENSOR UNIT AND "AIR BAG" WARNING LAMP

Disconnect air bag diagnosis sensor unit harness connector and turn ignition switch ON.

Does "AIR BAG" warning lamp turn on?

Yes >> Replace air bag diagnosis sensor unit.

No >> Check the ground circuit of "AIR BAG" warning lamp. If ground circuit is OK, replace combination meter.



# DIAGNOSIS SENSOR UNIT

PFP:28556

## DIAGNOSIS SENSOR UNIT

### Removal and Installation

EHS000G4

#### CAUTION:

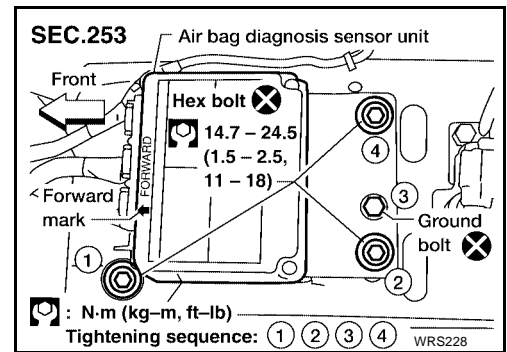
- Before servicing SRS, turn the ignition switch off, disconnect both battery cables and wait for at least 3 minutes.
  - The special bolts are coated with bonding agent while the other bolt is for ground. Do not reuse bolts after removal; replace with new ones.
  - Check air bag diagnosis sensor unit for proper installation.
  - Check air bag diagnosis sensor unit to ensure it is free of deformities, dents, cracks and rust. If there are any visible signs of damage, replace it with a new one.
  - Check air bag diagnosis sensor unit brackets to ensure they are free of deformities or rust.
  - Replace air bag diagnosis sensor unit if it has been dropped or has sustained an impact.
  - After replacement, perform self-diagnosis for SRS. Refer to [SRS-20, "SRS Operation Check"](#).
1. Disconnect driver and passenger air bag module connectors and seat belt pre-tensioner connectors.
  2. Remove console box. Refer to [IP-10, "INSTRUMENT PANEL ASSEMBLY"](#).
  3. Disconnect air bag diagnosis sensor unit connector.
  4. Remove ground bolt and also remove special bolts from air bag diagnosis sensor unit.  
Then remove the air bag diagnosis sensor unit.

#### NOTE:

- To install, reverse the removal procedure and tighten new bolts in the sequence indicated in the illustration.

#### CAUTION:

Air bag diagnosis sensor unit must always be installed with forward mark "←" pointing toward the front of the vehicle for proper operation. Also check air bag diagnosis sensor unit for deformities, dents, cracks and rust before installation and replace as required.



A

B

C

D

E

F

G

SRS

I

J

K

L

M

# CRASH ZONE SENSOR

PFP:98531

## CRASH ZONE SENSOR

### Removal and Installation

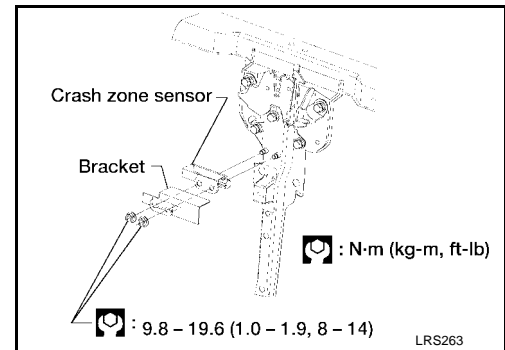
EHS000LI

#### CAUTION:

- Before servicing SRS, turn the ignition switch off, disconnect both battery cables and wait at least 3 minutes.
  - Check crash zone sensor for proper installation.
  - Check crash zone sensor to ensure it is free of deformities, dents, cracks or rust. If it shows any visible signs of damage, replace it with new one.
  - After replacement of crash zone sensor, check SRS function and perform self-diagnosis for SRS. Refer to [SRS-20, "SRS Operation Check"](#) for details.
  - Do not attempt to disassemble crash zone sensor.
  - Replace crash zone sensor if it has been dropped or sustained an impact.
1. Disconnect crash zone sensor.
  2. Remove nuts from crash zone sensor and bracket. Then remove bracket and crash zone sensor from radiator support.

#### NOTE:

- To install, reverse the removal procedure sequence.



# FRONT SEAT BELT PRE-TENSIONER

---

## FRONT SEAT BELT PRE-TENSIONER

PFP:86884

### Removal and Installation

EHS000G5

For removal and installation of seat belt pre-tensioner, refer to [SB-4, "FRONT SEAT BELT"](#) .

A

B

C

D

E

F

G

**SRS**

I

J

K

L

M

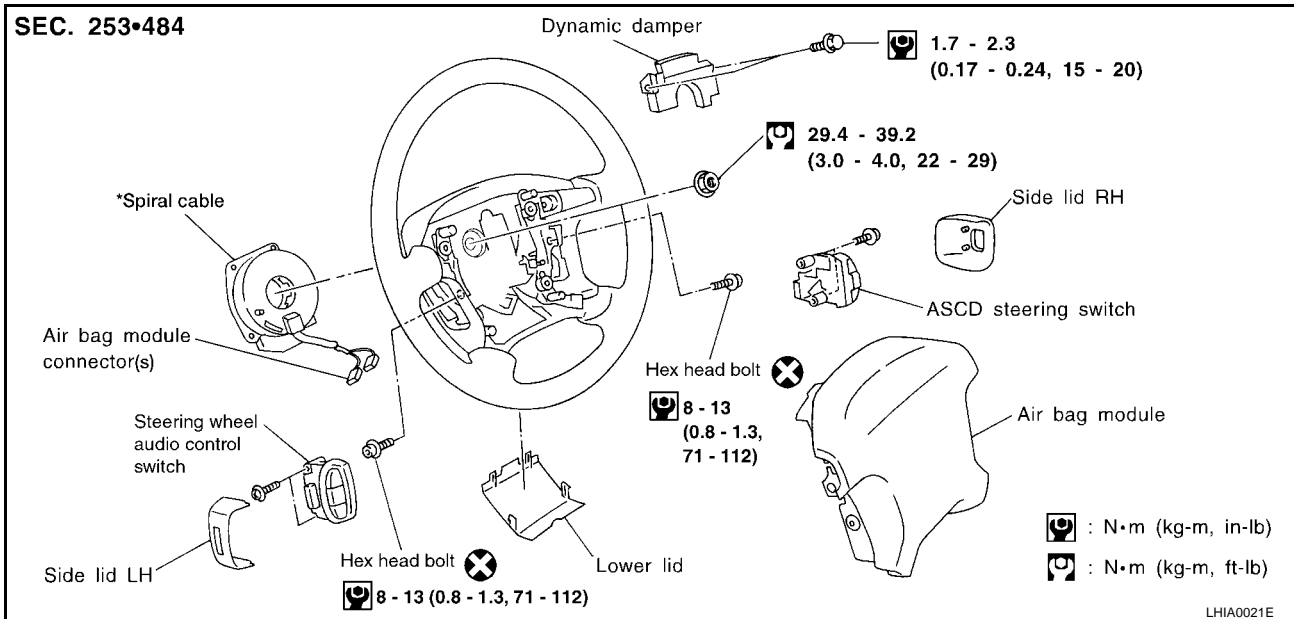
# DRIVER AIR BAG MODULE AND SPIRAL CABLE

## DRIVER AIR BAG MODULE AND SPIRAL CABLE

PFK:K8510

### Removal and Installation

EHS000G6



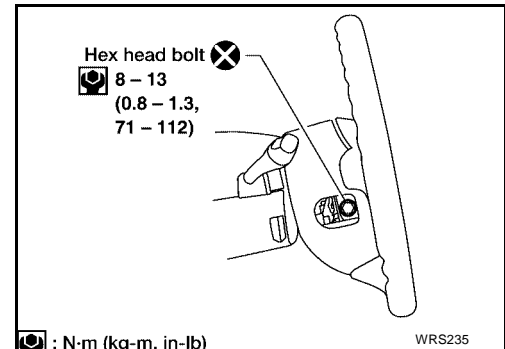
\*If equipped with VDC, refer to [BRC-55, "Adjustment of Steering Angle Sensor Neutral Position"](#) for steering wheel angle sensor adjustment.

### Removal

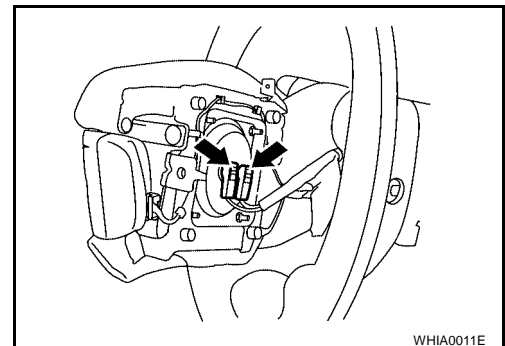
EHS000G7

#### CAUTION:

- Before servicing SRS, turn the ignition switch OFF, disconnect both battery cables and wait at least 3 minutes.
  - Always work from the side of an air bag module.
1. Remove side lids and/or switch covers and switches.
  2. Remove the right and left special hex head bolts.



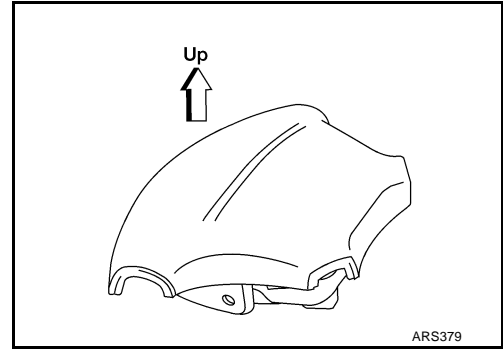
3. Disconnect the air bag harness connectors, and remove the air bag module.
  - For removal/installation of the direct-connect SRS connectors, refer to [SRS-8, "Direct-connect SRS Component Connectors"](#).



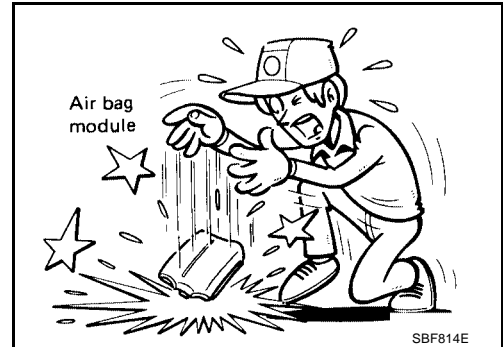
# DRIVER AIR BAG MODULE AND SPIRAL CABLE

## CAUTION:

- Always place air bag module with pad side facing upward.
- Do not attempt to disassemble air bag module.
- The special bolts are coated with bonding agent. Do not use old bolts after removal; replace with new ones.
- Do not insert any foreign objects (screwdriver, etc.) into air bag module connector.



- Do not drop or impact air bag module. If any portion is deformed or cracked, replace the module.
- Do not expose the air bag module to temperatures exceeding 90°C (194°F).
- Do not allow oil, grease or water to come in contact with the air bag module.



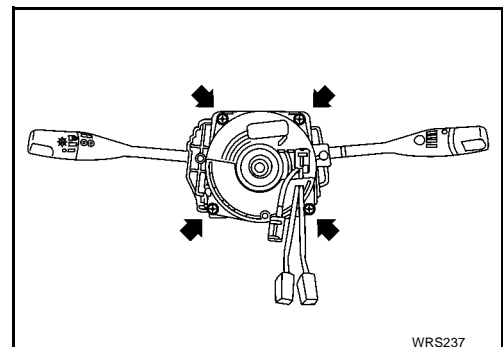
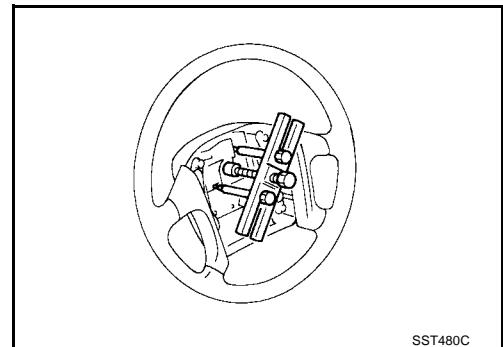
4. Set steering wheel in the neutral position.
5. Disconnect horn connector from steering wheel (floating horn bracket).
6. Release the spiral cable connectors from the steering wheel by sliding off the connector brackets and remove nut.
7. Using steering wheel puller, remove steering wheel. Be careful not to over-tighten puller bolt on steering wheel.

## CAUTION:

- Do not tap or bump the steering wheel.
8. Remove steering column covers, instrument panel lower LH and knee protector.
  9. Disconnect spiral cable connector from air bag harness.
  10. Remove the four spiral cable retaining screws. Remove the spiral cable.

## CAUTION:

- Do not attempt to disassemble spiral cable.
- Do not apply lubricant to the spiral cable.



A  
B  
C  
D  
E  
F  
G

SRS

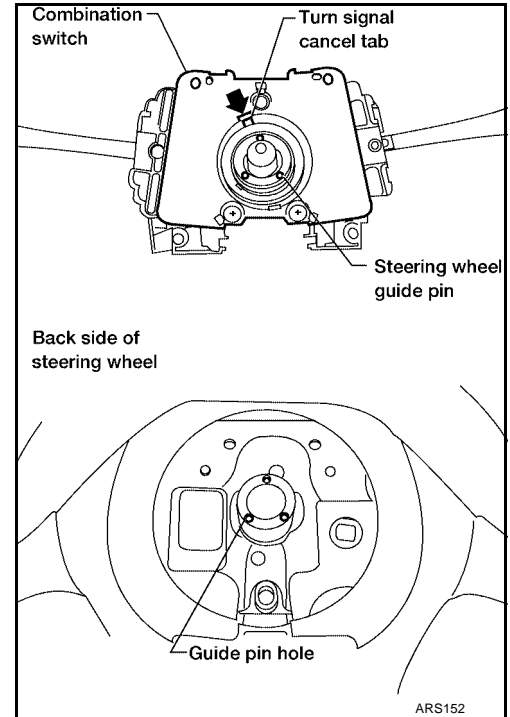
I  
J  
K  
L  
M

# DRIVER AIR BAG MODULE AND SPIRAL CABLE

EHS000G8

## Installation

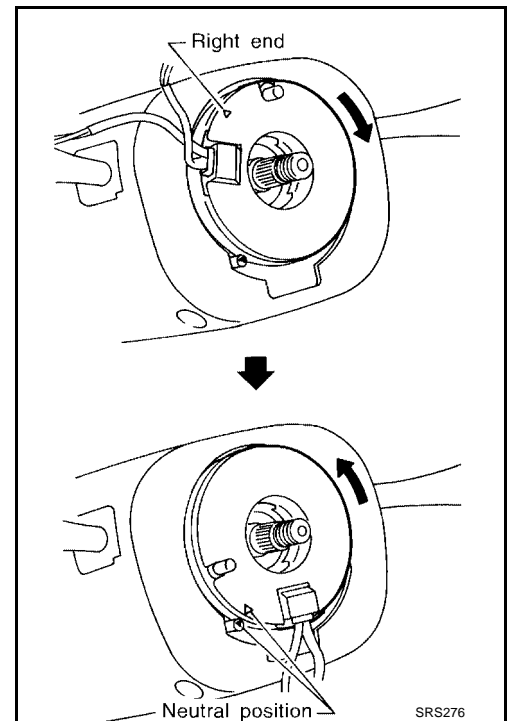
1. Set the front wheels in the straight-ahead position.
2. Align the turn signal cancel tab with the notch of the combination switch as shown.



3. Rotate the spiral cable fully clockwise until tight.
4. Rotate the spiral cable counterclockwise approximately 2.25 turns and align white pin with arrow on housing and yellow wheel shows in window.
  - When the spiral cable is centered, white pin is aligned with arrow on housing and yellow wheel shows in window.

### CAUTION:

- The spiral cable may snap during steering operation if the spiral cable is installed in an improper position.
  - Also, with the steering linkage disconnected, the cable may snap by turning the steering wheel beyond the limited number of turns. The spiral cable can be turned counterclockwise approximately 2.25 turns. Always perform SRS self-diagnosis after installing the air bag module. Refer to [SRS-20, "SRS Operation Check"](#).
5. Connect spiral cable to air bag harness and tighten screws. Install steering column covers.



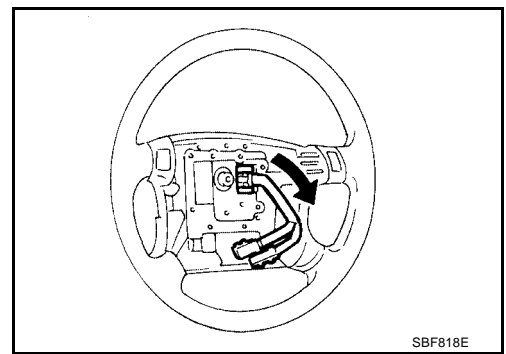
## DRIVER AIR BAG MODULE AND SPIRAL CABLE

6. Install steering wheel, setting spiral cable pin guide, and pull spiral cable connectors through.
7. Install dynamic damper.
8. Tighten steering wheel nut.

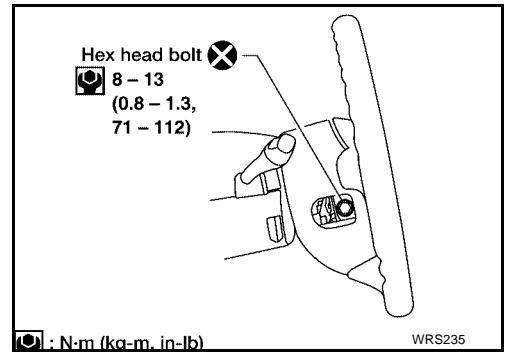


**: 29 - 39 N·m (3.0 - 4.0 kg·m,  
22 - 29 ft·lb)**

9. Connect spiral cable connectors to floating horn bracket and attach to any switch connector brackets.
10. Attach spiral cable air bag connector to driver air bag module.
  - For removal/installation of the direct-connect SRS connectors, refer to [SRS-8, "Direct-connect SRS Component Connectors"](#).



11. Position driver air bag module and install two new hex head bolts.
12. Install any switches.
13. Install all lids.
14. Connect both battery cables.
  - If equipped with VDC, refer to [BRC-55, "Adjustment of Steering Angle Sensor Neutral Position"](#) for steering wheel angle sensor adjustment.
15. Conduct self-diagnosis to ensure entire SRS operates properly. (Use CONSULT-II or "AIR BAG" warning lamp check.) Turn the steering wheel fully to the right and left to check that the spiral cable is set in the neutral position.



16. If "AIR BAG" warning lamp blinks (in User mode), it shows the spiral cable may be snapped due to its improper position. Perform Self-diagnosis again. (Use CONSULT-II or "AIR BAG" warning lamp check.) If a malfunction is detected, replace the spiral cable with a new one.

### NOTE:

- After replacement, perform self-diagnosis for SRS. Refer to [SRS-20, "SRS Operation Check"](#).

A  
B  
C  
D  
E  
F  
G  
I  
J  
K  
L  
M

SRS

# FRONT PASSENGER AIR BAG MODULE

PFPP:K8515

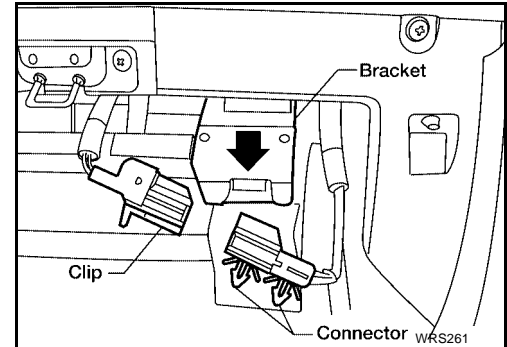
EHS000LX

## FRONT PASSENGER AIR BAG MODULE

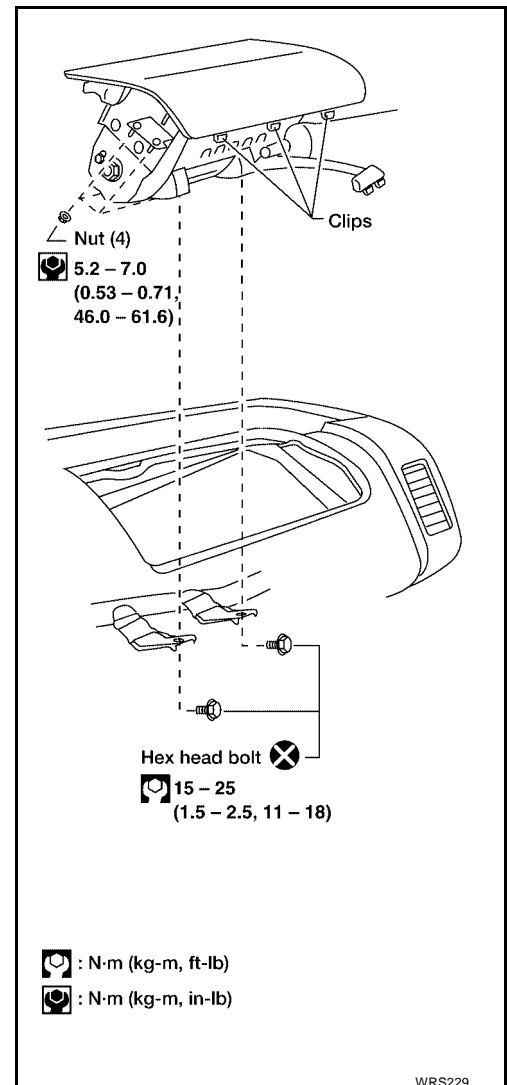
### Removal and Installation REMOVAL

#### CAUTION:

- Before servicing SRS, turn the ignition switch OFF, disconnect both battery cables and wait for at least 3 minutes.
  - Always work from the side of an air bag module.
1. Open glove box assembly.
  2. Reach up and bend down deformable connector bracket assembly.



3. Remove passenger air bag module connector clip from bracket.
  4. Disconnect passenger air bag module connector from air bag harness connector.
  5. Remove glove box. Refer to [IP-10, "INSTRUMENT PANEL ASSEMBLY"](#).
  6. Remove two hex head bolts.
  7. Remove four mounting nuts.
  8. Remove passenger air bag module by releasing the clips from the top of the instrument panel.
- The air bag module is heavy and should be supported using both hands during removal.

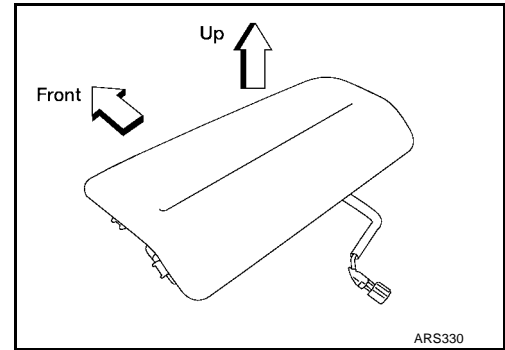




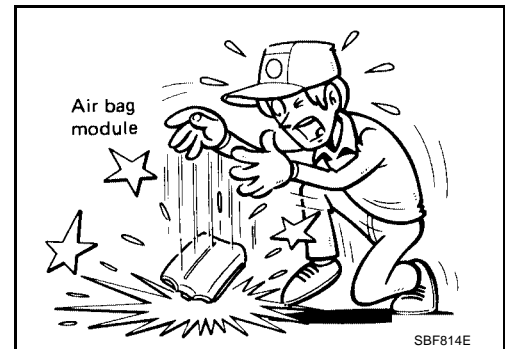
## FRONT PASSENGER AIR BAG MODULE

### CAUTION:

- Always place air bag module with pad side facing upward.
- Do not attempt to disassemble air bag module.
- Do not use old bolts after removal; replace with new bolts.
- Do not insert any foreign objects (screwdriver, etc.) into air bag module connector.



- Do not drop or impact air bag module. If any portion is deformed or cracked, replace the module.
- Do not expose the air bag module to temperatures exceeding 90°C (194°F).
- Do not allow oil, grease or water to come in contact with the air bag module.
- After air bag inflates, the instrument panel assembly should be replaced if damaged.



A

B

C

D

E

F

G

SRS

I

J

K

L

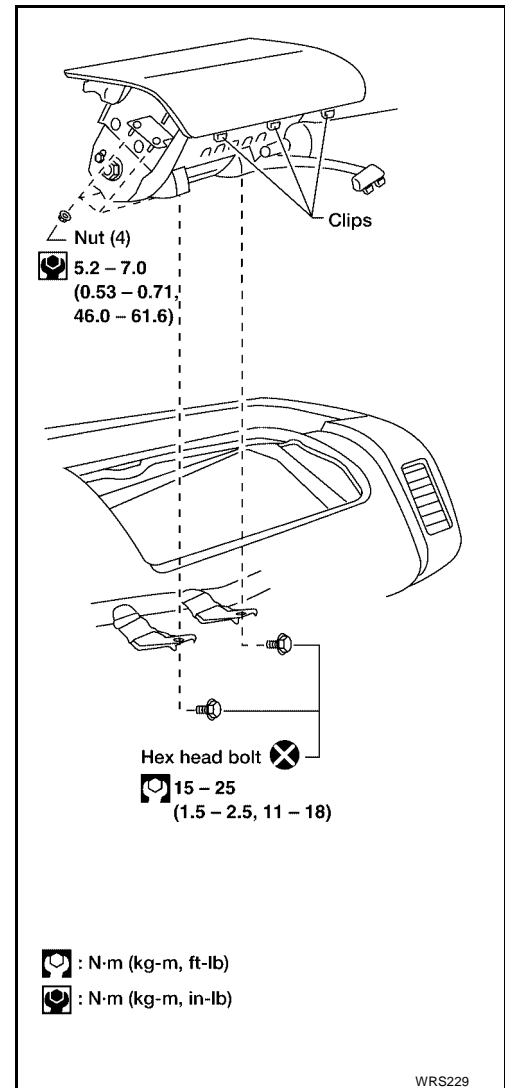
M

# FRONT PASSENGER AIR BAG MODULE

## INSTALLATION

### CAUTION:

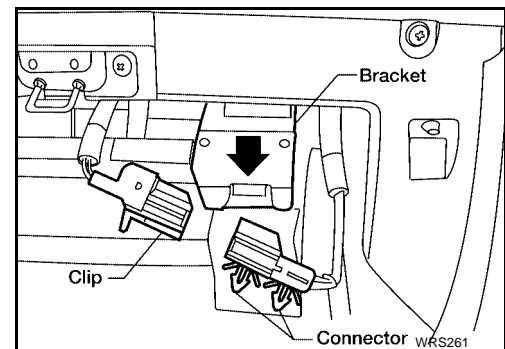
- **Always work from the side of an air bag module.**
1. Install passenger air bag module in instrument panel.
    1. Insert front edge of passenger air bag module first to ease installation.
      - Ensure harness is not caught between passenger air bag module and support bracket.
    2. Install four mounting nuts.
    3. Install two new hex head bolts.
  2. Install glove box. Refer to [IP-10, "INSTRUMENT PANEL ASSEMBLY"](#).



3. Connect air bag harness connector to passenger air bag module harness connector.
4. Attach passenger air bag module connector clip to bracket (Bracket in down position).
5. Bend bracket up clear of glove box and close glove box.
6. Connect both battery cables.
7. Conduct self-diagnosis to ensure entire SRS operates properly (Use CONSULT-II or "AIR BAG" warning lamp check).

### NOTE:

- **After replacement, perform self-diagnosis for SRS. Refer to [SRS-20, "SRS Operation Check"](#).**



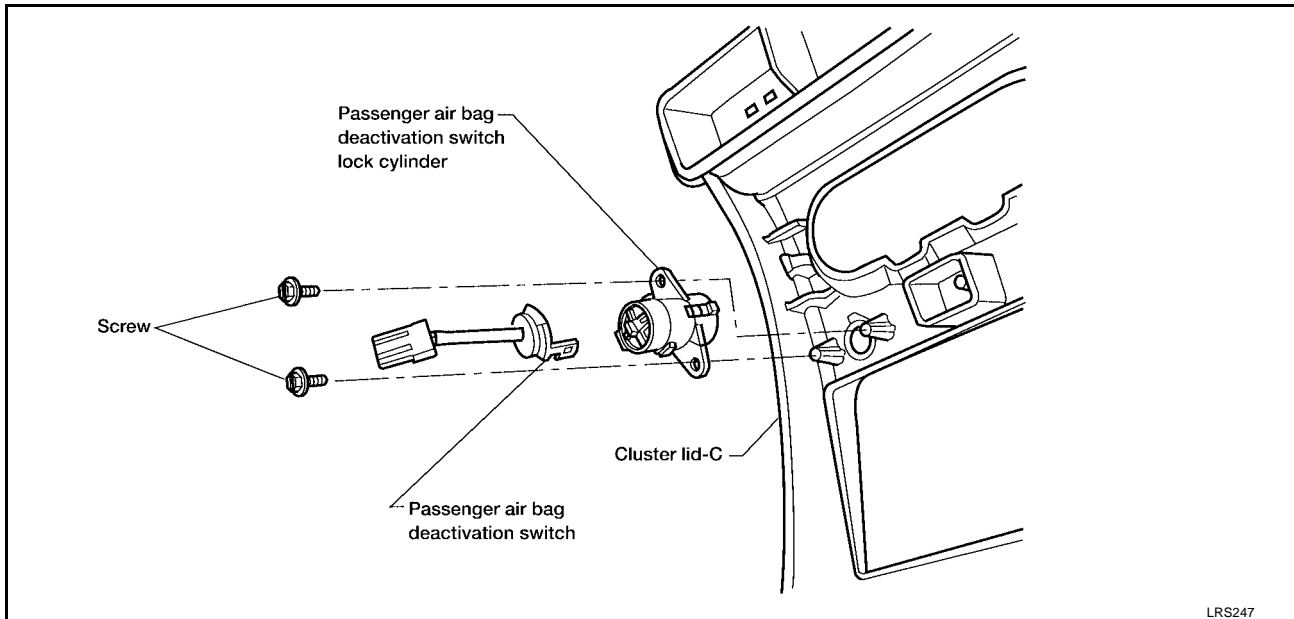
# PASSENGER AIR BAG DEACTIVATION SWITCH

PDF:25585

## PASSENGER AIR BAG DEACTIVATION SWITCH

### Removal

EHS000GB



- Before servicing SRS, turn the ignition switch OFF, disconnect both battery cables and wait for at least 3 minutes.
- 1. Remove cluster lid-C. Refer to [IP-10, "Removal and Installation"](#).
- 2. Disengage the two locking tabs from the passenger air bag deactivation switch lock cylinder and remove passenger air bag deactivation switch.

### Installation

EHS000GC

#### CAUTION:

Passenger air bag deactivation switch is keyed for proper installation. Improper positioning of the switch will result in damage to the switch.

#### NOTE:

- Be sure that the passenger air bag deactivation switch and lock cylinder is connected and in the same position as during removal for proper engagement.
- To install, reverse removal procedure.
- After replacement, perform self-diagnosis for SRS. Refer to [SRS-20, "SRS Operation Check"](#).

A  
B  
C  
D  
E  
F  
G  
I  
J  
K  
L  
M

SRS

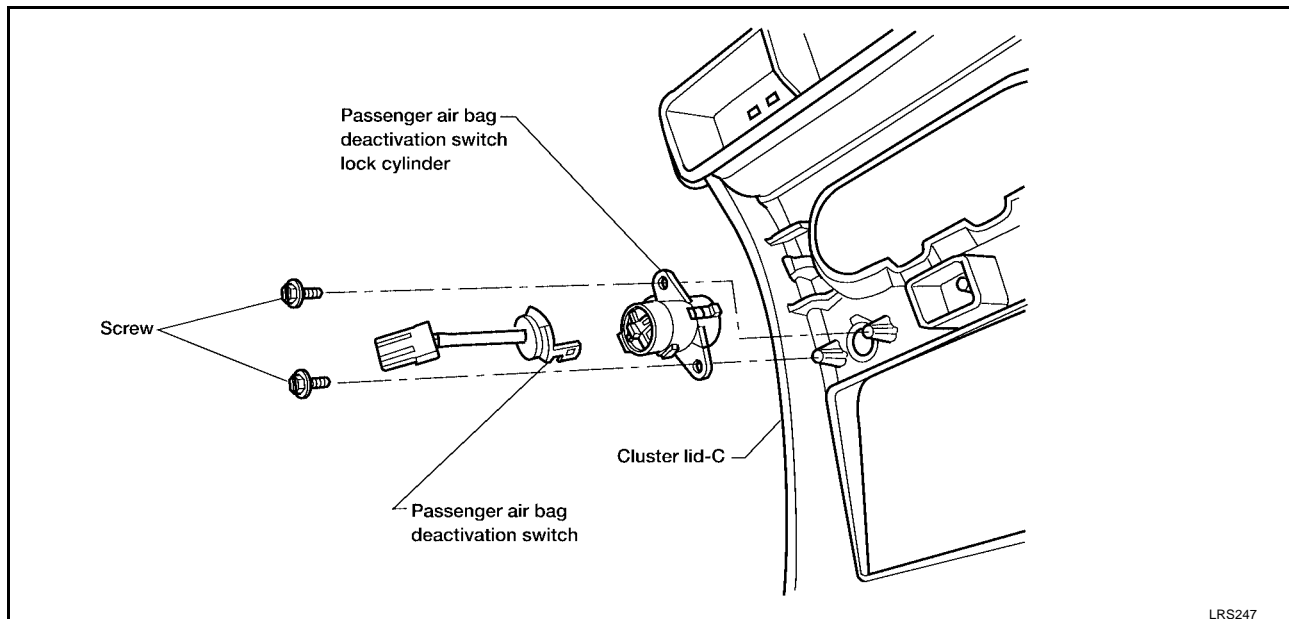
# PASSENGER AIR BAG DEACTIVATION SWITCH LOCK CYLINDER

## PASSENGER AIR BAG DEACTIVATION SWITCH LOCK CYLINDER

PF2:25585

### Removal

EHS000GD



- Before servicing SRS, turn ignition switch OFF, disconnect both battery cables and wait for at least 3 minutes.
1. Remove cluster lid C. Refer to [IP-10, "Removal and Installation"](#) .
  2. Disengage the two locking tabs from the passenger air bag deactivation switch lock cylinder and remove the passenger air bag deactivation switch.
  3. Remove two retaining screws from the cluster lid C and remove the passenger air bag deactivation switch lock cylinder.

### Installation

EHS000GE

#### NOTE:

- Be sure that the passenger air bag deactivation switch and lock cylinder is connected and in the same position as during removal for proper engagement.
- To install, reverse removal procedure.
- After replacement, perform self-diagnosis for SRS. Refer to [SRS-20, "SRS Operation Check"](#) .

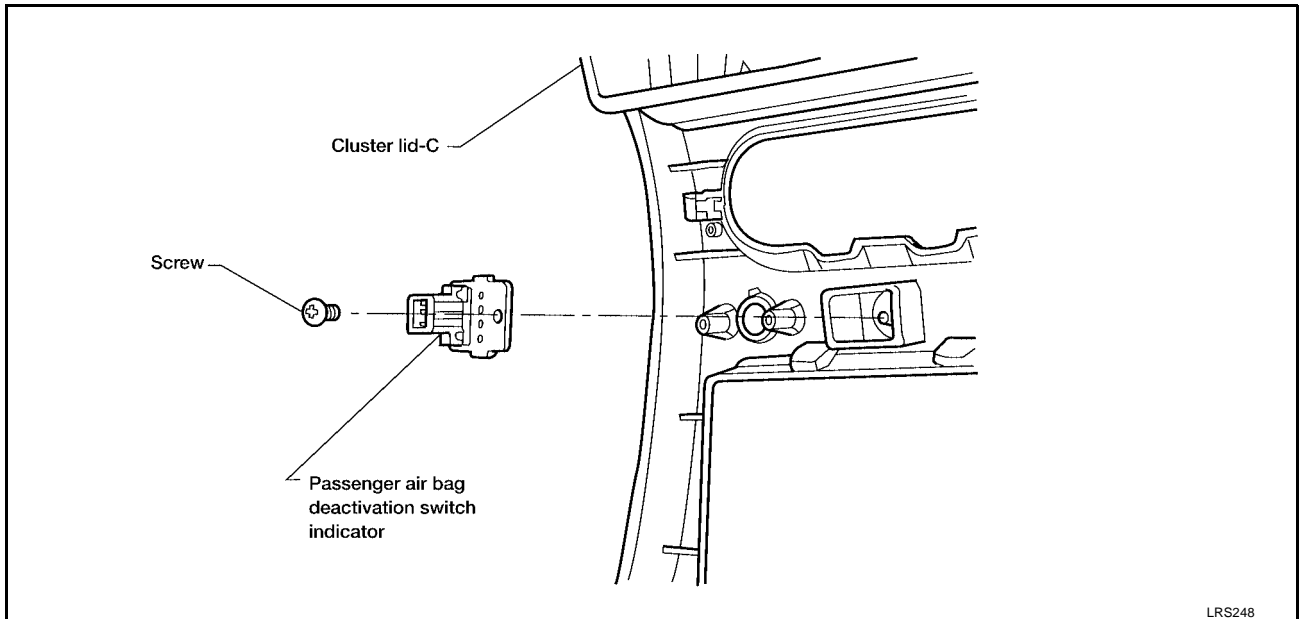
# PASSENGER AIR BAG DEACTIVATION SWITCH INDICATOR

## PASSENGER AIR BAG DEACTIVATION SWITCH INDICATOR

PFP:25585

### Removal

EHS000GF



- Before servicing SRS, turn ignition switch OFF, disconnect both battery cables and wait for at least 3 minutes.
1. Remove cluster lid C. Refer to [IP-10, "Removal and Installation"](#).
  2. Remove one screw and remove passenger air bag deactivation switch indicator.

### Installation

EHS000GG

#### NOTE:

- To install, reverse removal procedure.
- After replacement, perform self-diagnosis for SRS. Refer to [SRS-20, "SRS Operation Check"](#).

A  
B  
C  
D  
E  
F  
G

SRS

I  
J  
K  
L  
M

# DISPOSAL OF AIR BAG MODULE AND SEAT BELT PRE-TENSIONER

## DISPOSAL OF AIR BAG MODULE AND SEAT BELT PRE-TENSIONER

PF0:00014

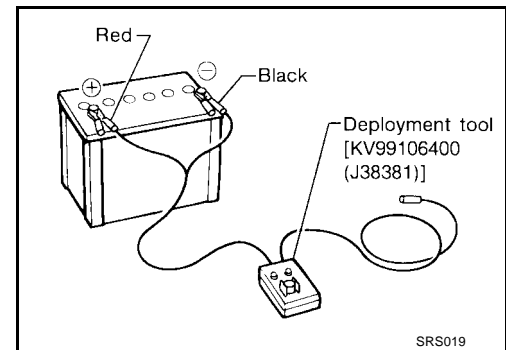
### Disposal of Air Bag Module and Seat Belt Pre-tensioner

EHS000H4

- Before disposing of air bag modules and seat belt pre-tensioners, or vehicles equipped with such systems, deploy the systems. If such systems have already been deployed due to an accident, dispose of as indicated in [SRS-54, "Disposal of Air Bag Module and Seat Belt Pre-tensioner"](#).
- When deploying air bag module or seat belt pre-tensioner, always use the Special Service Tool; Deployment tool KV99106400 (Kent-Moore No. J38381).
- When deploying air bag module or seat belt pre-tensioner, stand at least 5 m (16 ft) away from the deployment component.
- When deploying air bag module or seat belt pre-tensioner, a fairly loud noise is made, followed by smoke being released. The smoke is not poisonous, however, be careful not to inhale smoke as it irritates the throat and can cause choking.
- Only activate one air bag module or seat belt pre-tensioner at a time.
- Due to heat, leave air bag module unattended for more than 30 minutes after deployment. Leave seat belt pre-tensioner unattended for more than 10 minutes after deployment.
- Be sure to wear gloves when handling a deployed air bag module or seat belt pre-tensioner.
- Never apply water to a deployed air bag module or seat belt pre-tensioner.
- Wash your hands clean after finishing work.
- Place the vehicle outdoors with an open space of at least 6 m (20 ft) on all sides when deploying air bag module or seat belt pre-tensioner while mounted in vehicle.
- Use a voltmeter to make sure the vehicle battery is fully charged.
- Do not dispose of the air bag module or seat belt pre-tensioner undeployed.

### CHECKING DEPLOYMENT TOOL

#### Connecting to Battery



#### **CAUTION:**

**The battery must show voltage of 9.6V or more.**

Remove the battery from the vehicle and place it on dry wood blocks approximately 5 m (16 ft) away from the vehicle.

- Wait 3 minutes after the vehicle battery is disconnected before proceeding.
- Connect red clip of deployment tool [SST: KV99106400 (J38381)] to battery positive terminal and black clip to negative terminal.

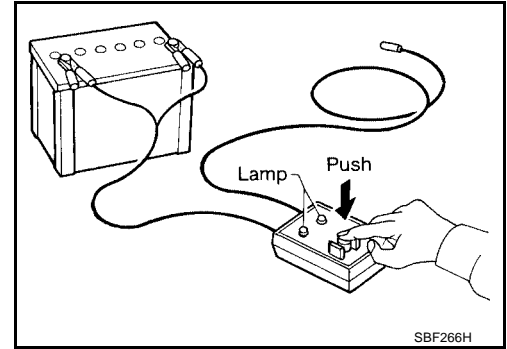
#### **CAUTION:**

**Make sure the polarity is correct. The right side lamp on the deployment tool [SST: KV99106400 (J38381)], marked "DEPLOYMENT TOOL POWER", should glow with a green light. If the right side lamp glows red, reverse the connections to the battery.**

# DISPOSAL OF AIR BAG MODULE AND SEAT BELT PRE-TENSIONER

## Deployment Tool Check

Press the deployment tool [SST: KV99106400 (J38381)] switch to the ON position. The left side lamp on the deployment tool [SST: KV99106400 (J38381)], marked "AIR BAG CONNECTOR VOLTAGE", should illuminate. If it does not illuminate, replace the tool.



## Air Bag Deployment Tool Lamp Illumination Chart (Battery connected)

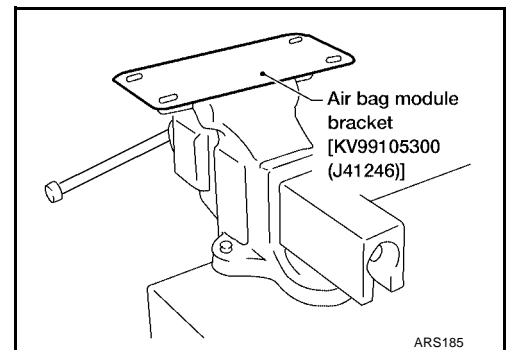
Switch operation	Left side lamp, green* "AIR BAG CONNECTOR VOLTAGE"	Right side lamp, green* "DEPLOYMENT TOOL POWER"
OFF	OFF	ON
ON	ON	ON

\*: If this lamp glows red, the tool is connected to the battery incorrectly. Reverse the connections and make sure the lamp glows green.

## DEPLOYMENT PROCEDURES FOR AIR BAG MODULE (OUTSIDE OF VEHICLE)

Unless the vehicle is being scrapped, deploying the air bag modules in the vehicle is not recommended. This may cause damage to the vehicle interior.

Anchor air bag module bracket [KV99105300 (J41246)] in a vise secured to a firm foundation during deployment.



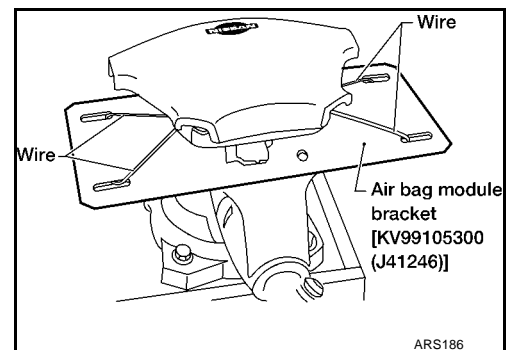
## Deployment of Driver Air Bag Module (Outside of vehicle)

- Using wire, secure driver air bag module to air bag module bracket [SST: KV99105300 (J41246)] at two places.

### CAUTION:

If a gap exists between driver air bag module and air bag module bracket, use a piece of wood inserted in the gap to stabilize the air bag module.

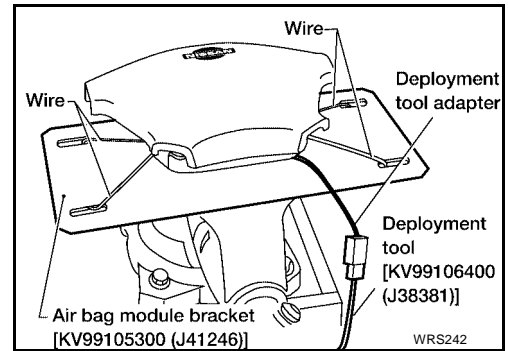
Use wire of at least 1 mm (0.04 in) diameter.



- Firmly secure air bag module bracket [SST: KV99105300 (J41246)] with driver air bag module attached, in a vise.

# DISPOSAL OF AIR BAG MODULE AND SEAT BELT PRE-TENSIONER

3. Connect deployment tool adapter [SST: KV99109000 (J44230)]: for 2-door models or [J38381-80-A]: for 4-door models to deployment tool [SST: KV99106400 (J38381)] and driver air bag module connector.
4. Connect red clip of deployment tool [SST: KV99106400 (J38381)] to battery positive terminal and black clip to negative terminal.
5. The right side lamp on the deployment tool [SST: KV99106400 (J38381)], marked "DEPLOYMENT TOOL POWER", should glow green, not red.
6. Press the button on the deployment tool [SST: KV99106400 (J38381)]. The left side lamp on the deployment tool [SST: KV99106400 (J38381)], marked "AIR BAG CONNECTOR VOLTAGE", will illuminate and the air bag module will deploy.

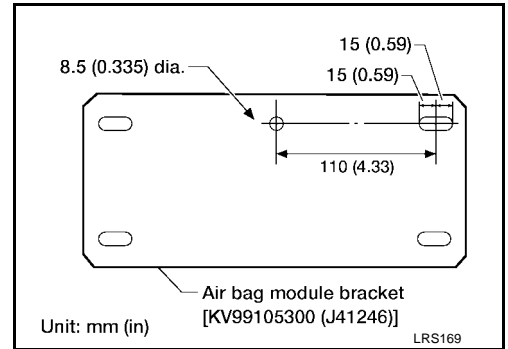


## CAUTION:

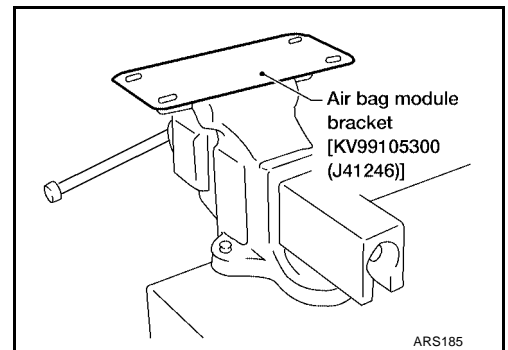
When deploying the air bag module, stand at least 5 m (16 ft) away from the air bag module.

## Deployment of Passenger Air Bag Module (Outside of vehicle)

1. Make an 8.5 mm (0.335 in) diameter hole in air bag module bracket [SST: KV99105300 (J41246)] at the position shown.



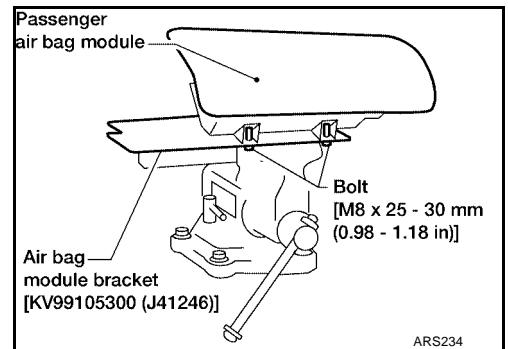
2. Firmly secure air bag module bracket [SST: KV99105300 (J41246)] in a vise.



3. Match the two holes in air bag module bracket [SST: KV99105300 (J41246)] (held in vise) and passenger air bag module and fix them with two bolts [M8 x 25 - 30 mm (0.98 - 1.18 in)].

## CAUTION:

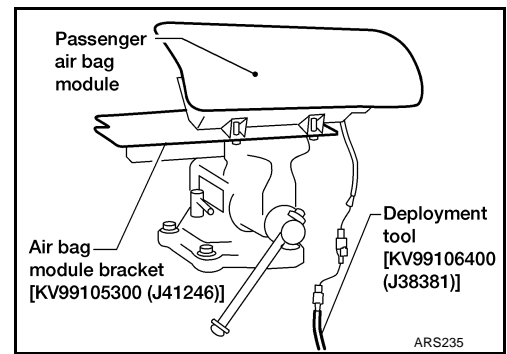
If a gap exists between passenger air bag module and air bag module bracket, use a piece of wood inserted in the gap to stabilize the air bag module.



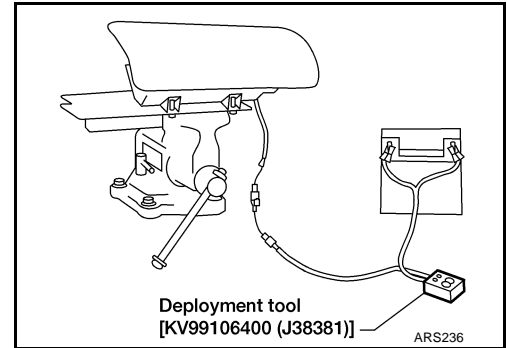


# DISPOSAL OF AIR BAG MODULE AND SEAT BELT PRE-TENSIONER

4. Connect deployment tool adapter [SST: KV991065S0 (J38381-30)]: for 2-door models or [SST: J38381-65]: for 4-door models to deployment tool [SST: KV99106400 (J38381)] connector and passenger air bag module connector.



5. Connect red clip of deployment tool [SST: KV99106400 (J38381)] to battery positive terminal and black clip to negative terminal.
6. The right side lamp on the deployment tool [SST: KV99106400 (J38381)], marked "DEPLOYMENT TOOL POWER", should glow green, not red.
7. Press the button on the deployment tool [SST: KV99106400 (J38381)]. The left side lamp on the deployment tool [SST: KV99106400 (J38381)], marked "AIR BAG CONNECTOR VOLTAGE", will illuminate and the air bag module will deploy.



## CAUTION:

- When deploying the air bag module, stand at least 5 m (16 ft) away from the air bag module.

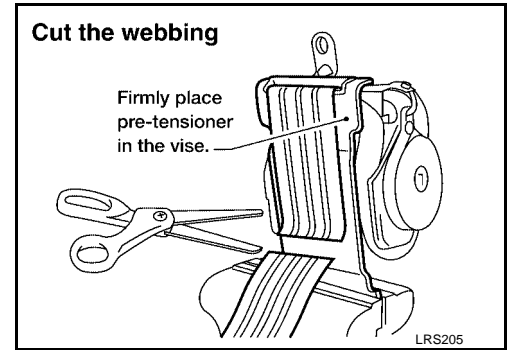
A  
B  
C  
D  
E  
F  
G  
I  
J  
K  
L  
M

SRS

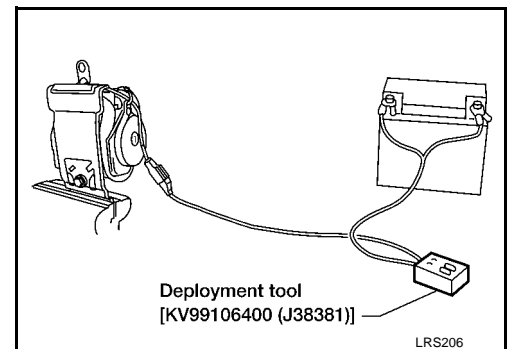
# DISPOSAL OF AIR BAG MODULE AND SEAT BELT PRE-TENSIONER

## Deployment of Seat Belt Pre-tensioner (Outside of vehicle)

1. Firmly anchor seat belt pre-tensioner in a vise, then cut webbing off.



2. Connect deployment tool [SST: KV99106400 (J38381)] and deployment tool adapter [SST: J38381-80-A] connector to seat belt pre-tensioner.
3. Connect red clip of deployment tool [SST: KV99106400 (J38381)] to battery positive terminal and black clip to negative terminal.
4. The right side lamp on the deployment tool [SST: KV99106400 (J38381)], marked "DEPLOYMENT TOOL POWER", should glow green, not red.
5. Press the button on the deployment tool [SST: KV99106400 (J38381)]. The left side lamp on the deployment tool [SST: KV99106400 (J38381)], marked "AIR BAG CONNECTOR VOLTAGE", will illuminate and the seat belt pre-tensioner will deploy.



### CAUTION:

- When deploying the seat belt pre-tensioner, stand at least 5 m (16 ft) away from the seat belt pre-tensioner.

# DISPOSAL OF AIR BAG MODULE AND SEAT BELT PRE-TENSIONER

## DEPLOYMENT OF AIR BAG MODULE AND SEAT BELT PRE-TENSIONER WHILE MOUNTED IN VEHICLE

When disposing of a vehicle, deploy air bag modules and seat belt pre-tensioners while they are mounted in vehicle.

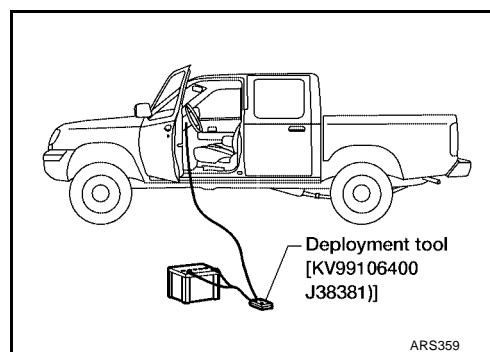
### CAUTION:

**When deploying air bag module or seat belt pre-tensioner, ensure vehicle is empty.**

1. Disconnect both battery cables and wait 3 minutes.
2. Disconnect air bag module connector or seat belt pre-tensioner connector.
3. Remove air bag module from steering wheel, disconnecting spiral cable from air bag module.
4. Connect deployment tool [SST: KV99106400 (SST: J38381)] to air bag module and reattach module with side bolts.

For passenger air bag module, use deployment tool adapter [SST: KV991065S0 (J38381-30)]: for 2-door models or [SST: J38381-65]: for 4-door models to deployment tool [SST: KV99106400 (J38381)] connector. For driver air bag module, use deployment tool adapter [SST: KV99109000 (J44230)]: FOR 2-door models or (J38381-80-A): 4-door models to attach air bag module to deployment tool [SST: KV99106400 (J38381)] connector.

5. Connect red clip of deployment tool [SST: KV99106400 (J38381)] to battery positive terminal and black clip to negative terminal.
6. The right side lamp on the deployment tool [SST: KV99106400 (J38381)], marked "DEPLOYMENT TOOL POWER", should glow green, not red.
7. Press the button on the deployment tool [SST: KV99106400 (J38381)]. The left side lamp on the deployment tool [SST: KV99106400 (J38381)], marked "AIR BAG CONNECTOR VOLTAGE", will illuminate and the air bag module or seat belt pre-tensioner will deploy.

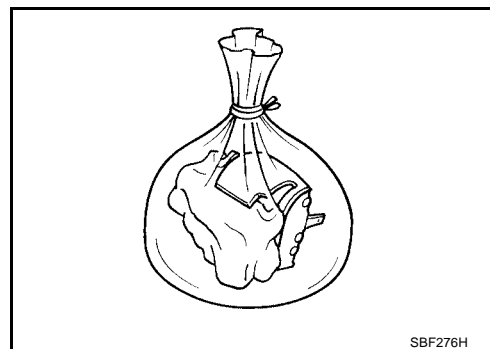


## DISPOSING OF AIR BAG MODULE AND SEAT BELT PRE-TENSIONER

Deployed air bag modules and seat belt pre-tensioners are very hot. Before disposing of air bag modules and seat belt pre-tensioners, wait at least 30 minutes and 10 minutes, respectively. Seal them in a plastic bag before disposal.

### CAUTION:

- **Never apply water to a deployed air bag module or seat belt pre-tensioner.**
- **Be sure to wear gloves when handling a deployed air bag module or seat belt pre-tensioner.**
- **No poisonous gas is produced upon air bag module or seat belt pre-tensioner deployment. However, be careful not to inhale gas since it irritates the throat and can cause choking.**
- **Do not attempt to disassemble air bag module or seat belt pre-tensioner.**
- **Air bag module or seat belt pre-tensioner cannot be reused.**
- **Wash your hands clean after finishing work.**



# COLLISION DIAGNOSIS

PFP:00015

EHS000H6

## COLLISION DIAGNOSIS

### Collision Diagnosis

To repair the SRS, perform the following steps.

#### When SRS is activated in a collision:

1. Replace the diagnosis sensor unit.
2. Remove the air bag modules and seat belt pre-tensioner assemblies.
3. Check the SRS components using the table shown below:
  - Replace any SRS components showing visible signs of damage (dents, cracks and deformation).
4. Install new air bag modules and seat belt pre-tensioner assemblies.
5. Conduct self-diagnosis using CONSULT-II or “AIR BAG” warning lamp. Refer to [SRS-20, "SRS Operation Check"](#) . Ensure entire SRS operates properly.

#### When SRS is not activated in a collision:

1. Check the SRS components using the table shown below:
  - Replace any SRS components showing visible signs of damage (dents, cracks and deformation).
2. Conduct self-diagnosis using CONSULT-II or “AIR BAG” warning lamp. Refer to [SRS-20, "SRS Operation Check"](#) . Ensure entire SRS operates properly.

### SRS INSPECTION

Part	SRS is activated	SRS is NOT activated
Air bag module (driver and passenger)	REPLACE Install with new bolts coated with bonding agent.	<ol style="list-style-type: none"> <li>1. Remove air bag module. Check harness cover and connectors for damage, terminals for deformities, and harness for binding.</li> <li>2.                             <ul style="list-style-type: none"> <li>– Install driver air bag module into the steering wheel to check fit and alignment with the wheel.</li> <li>– Install passenger air bag module into the instrument panel to check fit with the instrument panel.</li> </ul> </li> <li>3. No damage found, reinstall with new bolts coated with bonding agent.</li> <li>4. If damaged—REPLACE. Install air bag modules with new bolts coated with bonding agent. Air bag must be deployed before discarding.</li> </ol>
Crash zone sensor (4-door models)	REPLACE the crash zone sensor and bracket with new nuts and bolts coated with bonding agent.	<ol style="list-style-type: none"> <li>1. Remove the crash zone sensor. Check harness connectors for damage, terminals for deformities, and harness for binding.</li> <li>2. Check for visible signs of damage (dents, cracks, deformation) of the crash zone sensor and bracket.</li> <li>3. Install the crash zone sensor to check fit.</li> <li>4. If no damage is found, reinstall the crash zone sensor with new nuts coated with bonding agent.</li> <li>5. If damaged—REPLACE the crash zone sensor and bracket with new nuts and bolts coated with bonding agent.</li> </ol>
Seat belt pre-tensioner assembly	REPLACE Install seat belt pre-tensioner with new bolts.	<ol style="list-style-type: none"> <li>1. Remove seat belt pre-tensioners. Check harness cover and connectors for damage, terminals for deformities, and harness for binding.</li> <li>2. Check belts for damage and anchors for loose mounting.</li> <li>3. Check retractor for smooth operation.</li> <li>4. If no damage is found, reinstall seat belt pre-tensioner assembly.</li> <li>5. If damaged—REPLACE. Install the seat belt pre-tensioners with new bolts coated with bonding agent. Seat belt pre-tensioners must be deployed before discarding.</li> </ol>
Diagnosis sensor unit	REPLACE Install with new bolts coated with bonding agent.	<ol style="list-style-type: none"> <li>1. Check case for dents, cracks or deformities.</li> <li>2. Check connectors for damage, and terminals for deformities.</li> <li>3. If no damage is found, reinstall with new bolts and ground bolt coated with bonding agent.</li> <li>4. If damaged—REPLACE. Install diagnosis sensor unit with new bolts and ground bolt coated with bonding agent.</li> </ol>

# COLLISION DIAGNOSIS

Part	SRS is activated	SRS is NOT activated	
Steering wheel	<ol style="list-style-type: none"> <li>1. Visually check steering wheel for deformities.</li> <li>2. Install air bag module to check fit or alignment with steering wheel.</li> <li>3. Check steering wheel for excessive free play.</li> <li>4. If no damage is found, reinstall with new bolts.</li> <li>5. If damaged—REPLACE.</li> </ol>		A  B
Spiral cable	<ol style="list-style-type: none"> <li>1. Visually check spiral cable and combination switch for damage.</li> <li>2. Check connectors and protective tape for damage.</li> <li>3. Check steering wheel for noise, binding or heavy operation.</li> <li>4. If no damage is found, reinstall with new bolts.</li> <li>5. If damaged—REPLACE.</li> </ol>		C  D
Harness and Connectors	<ol style="list-style-type: none"> <li>1. Check connectors for poor connection, damage, and terminals for deformities.</li> <li>2. Check harness for binding, chafing, cuts, or deformities.</li> <li>3. If no damage is found, reinstall the harness and connectors.</li> <li>4. Damaged—REPLACE damaged harness. Do not attempt to repair, splice or modify any SRS harness.</li> </ol>		E

F

G

SRS

I

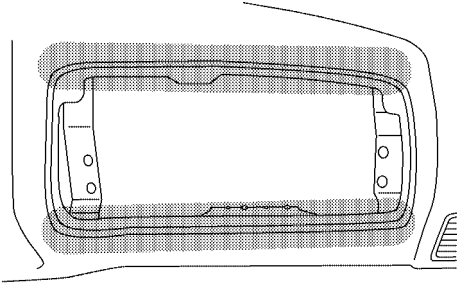
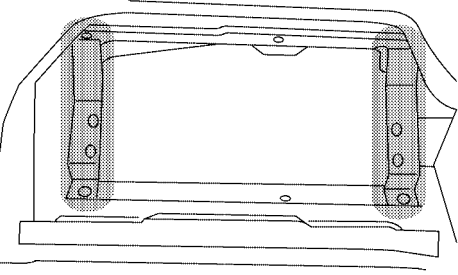
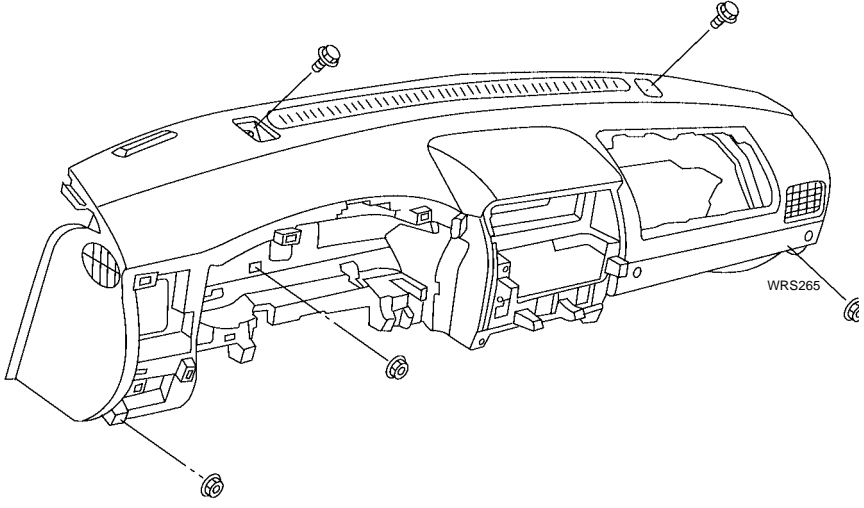
J

K

L

M

# COLLISION DIAGNOSIS

Part	SRS is activated	SRS is NOT activated
Passenger air bag deactivation switch and indicator (2-door models)	1. Visually check passenger air bag deactivation switch and indicator for dents, cracks and deformities. 2. Check the harness and connectors for damage, and terminals for deformities. 3. If damaged—REPLACE.	1. Visually check passenger air bag deactivation switch and indicator for dents, cracks and deformities. 2. Check the harness and connectors for damage, and terminals for deformities. 3. If damaged—REPLACE.
Instrument panel	1. When passenger air bag inflates, check the following points for bending, deformities and cracks: – Opening portion for passenger air bag	1. When passenger air bag inflates, check the following points for bending, deformities and cracks: – Opening portion for passenger air bag <div style="text-align: center;">  <p>ARS237</p> </div> – Passenger air bag module brackets <b>Back face of instrument panel</b> <div style="text-align: center;">  <p>ARS238</p> </div> – The portions securing the instrument panel <div style="text-align: center;">  <p>WRS265</p> </div>
	2. If no damage is found, reinstall the instrument panel. 3. If damaged — REPLACE the instrument panel with new nuts and bolts.	