

SECTION **ACS**

AUTO CRUISE CONTROL SYSTEM

A
B
C
D
E
F
G
H
I
J
L
M

CONTENTS

| | |
|--|--|
| <p>PRECAUTIONS 2</p> <p style="padding-left: 20px;">Precautions for Supplemental Restraint System (SRS) "AIR BAG" and "SEAT BELT PRE-TENSIONER" 2</p> <p style="padding-left: 20px;">Wiring Diagrams and Trouble Diagnosis 2</p> <p>AUTOMATIC SPEED CONTROL DEVICE (ASCD).... 3</p> <p style="padding-left: 20px;">Component Parts and Harness Connector Location... 3</p> <p style="padding-left: 20px;">System Description 5</p> <p style="padding-left: 40px;">POWER SUPPLY AND GROUND 5</p> <p style="padding-left: 40px;">OPERATION 5</p> <p style="padding-left: 40px;">ASCD MOTOR ACTUATOR OPERATION 6</p> <p style="padding-left: 20px;">Circuit Diagram 7</p> <p style="padding-left: 20px;">Wiring Diagram — ASCD — 8</p> <p style="padding-left: 40px;">FIG. 1 8</p> <p style="padding-left: 40px;">FIG. 2 9</p> <p style="padding-left: 40px;">FIG. 3 10</p> <p style="padding-left: 20px;">Fail-safe System 11</p> <p style="padding-left: 40px;">DESCRIPTION 11</p> <p style="padding-left: 40px;">MALFUNCTION DETECTION CONDITIONS 11</p> <p style="padding-left: 20px;">Trouble Diagnoses 12</p> | <p>SYMPTOM CHART 12</p> <p>FAIL-SAFE SYSTEM CHECK 13</p> <p>POWER SUPPLY AND GROUND CIRCUIT CHECK 14</p> <p>ASCD BRAKE/STOP LAMP SWITCH CHECK ... 15</p> <p>ASCD STEERING SWITCH CHECK 17</p> <p>VEHICLE SPEED SENSOR CHECK 18</p> <p>ASCD MOTOR ACTUATOR CIRCUIT CHECK... 18</p> <p>ASCD MOTOR ACTUATOR CHECK 20</p> <p>Electrical Component Inspection 21</p> <p style="padding-left: 20px;">ASCD STEERING SWITCH 21</p> <p style="padding-left: 20px;">ASCD BRAKE SWITCH AND STOP LAMP SWITCH 21</p> <p style="padding-left: 20px;">ASCD CLUTCH SWITCH (M/T) 21</p> <p style="padding-left: 20px;">PARK/NEUTRAL POSITION SWITCH (A/T) 21</p> <p style="padding-left: 20px;">ASCD RELAY (A/T) 22</p> <p>ASCD Wire Adjustment 23</p> <p style="padding-left: 20px;">WITH VG33E 23</p> <p style="padding-left: 20px;">WITH VG33ER 23</p> |
|--|--|

ACS

PRECAUTIONS

PRECAUTIONS

PFP:00001

Precautions for Supplemental Restraint System (SRS) “AIR BAG” and “SEAT BELT PRE-TENSIONER”

EKS006XD

The Supplemental Restraint System such as “AIR BAG” and “SEAT BELT PRE-TENSIONER”, used along with a front seat belt, helps to reduce the risk or severity of injury to the driver and front passenger for certain types of collision. Information necessary to service the system safely is included in the SRS and SB section of this Service Manual.

The vehicle may be equipped with a passenger air bag deactivation switch. Because no rear seat exists where a rear-facing child restraint can be placed, the switch is designed to turn off the passenger air bag so that a rear-facing child restraint can be used in the front passenger seat. The switch is located in the center of the instrument panel, near the ashtray. When the switch is turned to the ON position, the passenger air bag is enabled and could inflate for certain types of collision. When the switch is turned to the OFF position, the passenger air bag is disabled and will not inflate. A passenger air bag OFF indicator on the instrument panel lights up when the passenger air bag is switched OFF. The driver air bag always remains enabled and is not affected by the passenger air bag deactivation switch.

WARNING:

- To avoid rendering the SRS inoperative, which could increase the risk of personal injury or death in the event of a collision which would result in air bag inflation, all maintenance must be performed by an authorized NISSAN/INFINITI dealer.
- Improper maintenance, including incorrect removal and installation of the SRS, can lead to personal injury caused by unintentional activation of the system. For removal of Spiral Cable and Air Bag Module, see the SRS section.
- Do not use electrical test equipment on any circuit related to the SRS unless instructed to in this Service Manual. SRS wiring harnesses can be identified by yellow and/or orange harnesses or harness connectors.
- The vehicle may be equipped with a passenger air bag deactivation switch which can be operated by the customer. When the passenger air bag is switched OFF, the passenger air bag is disabled and will not inflate. When the passenger air bag is switched ON, the passenger air bag is enabled and could inflate for certain types of collision. After SRS maintenance or repair, make sure the passenger air bag deactivation switch is in the same position (ON or OFF) as when the vehicle arrived for service.

Wiring Diagrams and Trouble Diagnosis

EKS006XE

When you read wiring diagrams, refer to the following:

- [GI-13, "How to Read Wiring Diagrams"](#)
- [PG-9, "POWER SUPPLY ROUTING"](#)

When you perform trouble diagnosis, refer to the following:

- [GI-9, "HOW TO FOLLOW TEST GROUPS IN TROUBLE DIAGNOSES"](#)
- [GI-25, "How to Perform Efficient Diagnosis for an Electrical Incident"](#)

Check for any Service bulletins before servicing the vehicle.

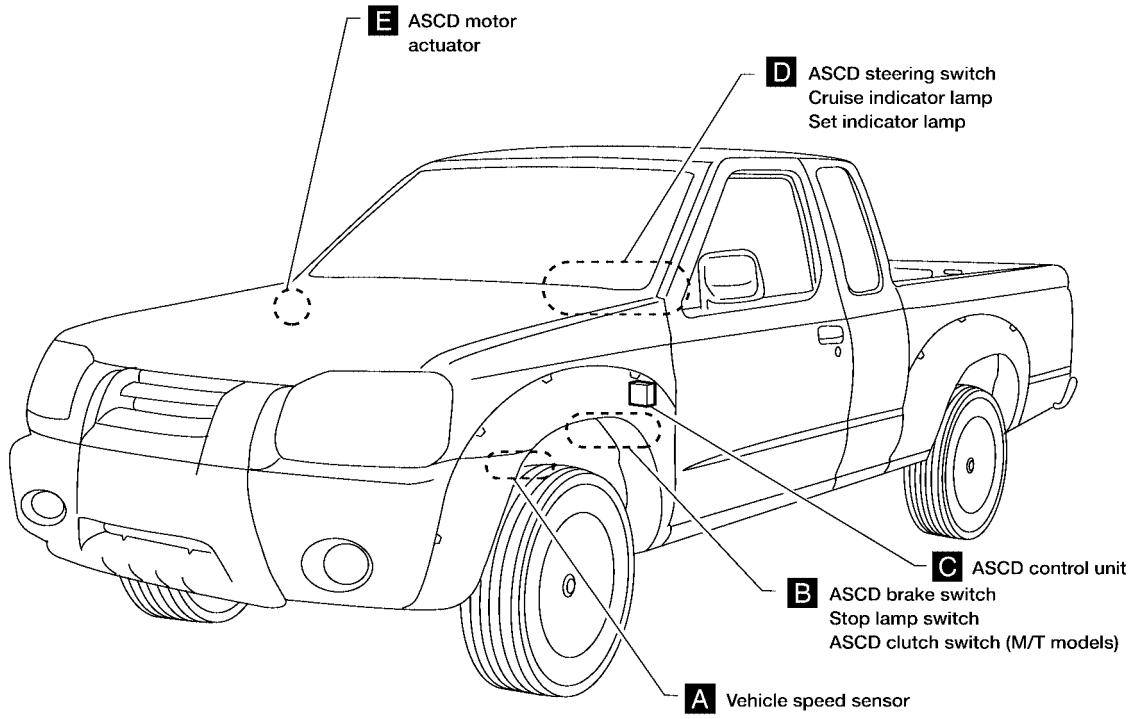
AUTOMATIC SPEED CONTROL DEVICE (ASCD)

AUTOMATIC SPEED CONTROL DEVICE (ASCD)

PDF:18930

Component Parts and Harness Connector Location

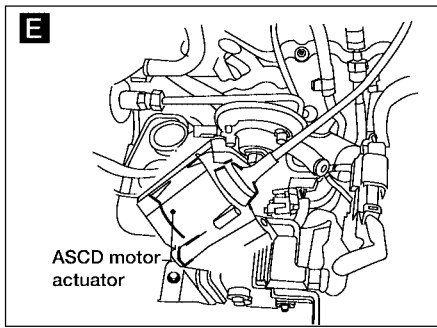
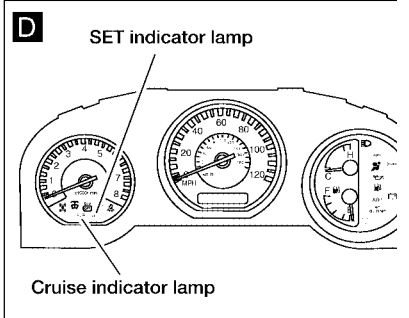
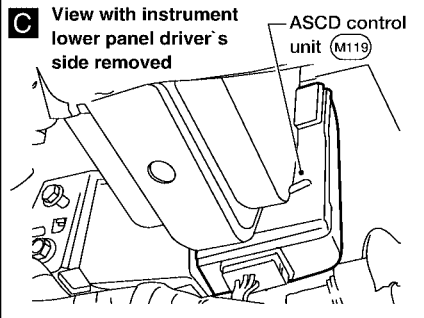
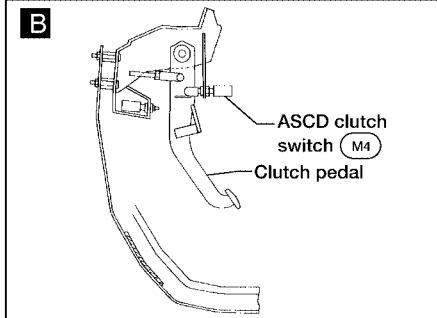
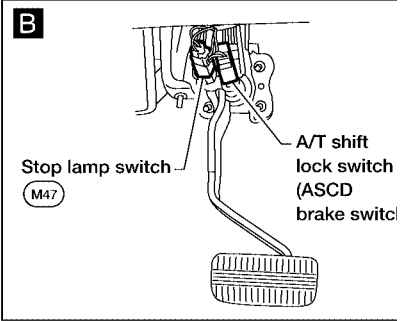
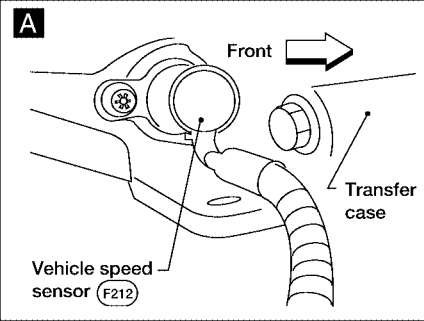
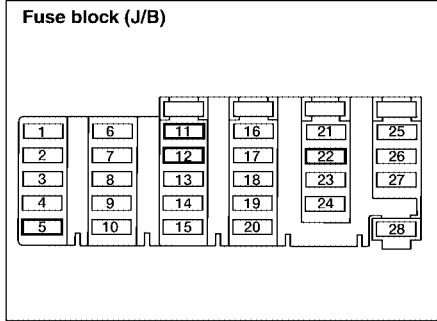
EKS006XF



A
B
C
D
E
F
G
H
I
J
L
M

ACS

AUTOMATIC SPEED CONTROL DEVICE (ASCD)



AUTOMATIC SPEED CONTROL DEVICE (ASCD)

EKS006XG

System Description

Refer to Owner's Manual for ASCD operating instructions.

POWER SUPPLY AND GROUND

Power is supplied at all times

- through 15A fuse [No. 22, located in the fuse block (J/B)] (2-door models) or
- through 20A fuse [No. 22, located in the fuse block (J/B)] (4-door models)
- to the stop lamp switch terminal 1.

When ignition switch is in the ON or START position, power is supplied

- through 10A fuse [No. 5, located in the fuse block (J/B)]
- to ASCD control unit terminal 5
- through 7.5A fuse [No. 12, located in the fuse block (J/B)]
- to park/neutral position switch terminal 1,
- through 10A fuse [No. 11, located in the fuse block (J/B)]
- to combination meter terminals 32 and 38.

When park/neutral position switch (A/T) is in the P or N position, ground is supplied

- to park/neutral position switch terminal 2
- through ASCD relay terminal 1
- to ASCD relay terminal 2
- through body grounds M14 and M68.

When ON-OFF switch is depressed (ON), ground is supplied

- to ASCD control unit terminal 11
- from ASCD steering switch terminal 13
- to ASCD steering switch terminal 14
- from ASCD control unit terminal 24.

Then ASCD control unit illuminates CRUISE indicator.

Ground is supplied

- to combination meter terminal 36
- from ASCD control unit terminal 15.

Ground is supplied

- to ASCD control unit terminal 17
- through body grounds M14 and M68.

OPERATION

Set Operation

To activate the ASCD, all of following conditions must exist

- ASCD control unit receives ON-OFF switch ON signal.
- Power supply to ASCD control unit terminal 8 [Brake and clutch pedal is released (M/T), and brake pedal is released and A/T selector lever is in other than P and N position (A/T)].
- Vehicle speed is between 40 km/h (25 MPH) and 144 km/h (89 MPH). (Signal from combination meter.)

When the COAST/SET switch is depressed, ground is supplied

- to ASCD control unit terminal 11,
- from ASCD steering switch terminal 13.

Then ASCD motor actuator is activated to control throttle wire and ASCD control unit supplies ground

- to combination meter terminal 37 to illuminate SET indicator
- from ASCD control unit terminal 18.

A/T Overdrive Control During Cruise Control Driving (A/T)

When the vehicle speed is approximately 5 km/h (3 MPH) below set speed, a signal is sent

- from ASCD control unit terminal 10
- to TCM terminal 24.

A

B

C

D

E

F

G

H

I

J

ACS

L

M

AUTOMATIC SPEED CONTROL DEVICE (ASCD)

When this occurs, the TCM cancels overdrive.

When vehicle speed returns to approximately 0.6 km/h (0.4 MPH) below set speed, overdrive is reactivated.

Coast Operation

When the COAST/SET switch is depressed during cruise control driving, ASCD motor actuator returns the throttle cable to decrease vehicle set speed until the switch is released. Then ASCD will keep the new set speed.

If COAST/SET switch is pressed and released quickly during cruise control driving, vehicle set speed will be reduced by 1.6 km/h (1.0 MPH).

Accel Operation

When the RES/ACCEL switch is depressed, ground is supplied

- from ASCD steering switch terminal 13
- to ASCD control unit terminal 11.

If the RES/ACCEL switch is depressed during cruise control driving, ASCD motor actuator pulls the throttle cable to increase the vehicle speed until the switch is released or vehicle speed is reached to maximum controlled speed by the system. Then ASCD will keep the new set speed.

If RES/ACCEL switch is pressed and released quickly during cruise control driving, vehicle set speed will be increased by 1.6 km/h (1.0 MPH).

Cancel Operation

When any of following conditions exist, cruise operation will be canceled

- CANCEL switch is depressed. (Ground is supplied to ASCD control unit terminal 11.)
- Brake pedal is depressed. (Power is supplied to ASCD control unit terminal 23 from stop lamp switch.)
- Brake or clutch pedal is depressed (M/T), brake pedal is depressed or A/T selector lever is shifted to P or N position (A/T). (Power supply to ASCD control unit terminal 8 is interrupted.)

If ON-OFF switch is turned to OFF when ASCD is activated, all of ASCD operation will be canceled and vehicle speed memory will be erased.

Resume Operation

When the RES/ACCEL switch is depressed, after cancel operation other than depressing ON-OFF switch is performed, vehicle speed will return to last set speed. To resume vehicle set speed, vehicle condition must meet following conditions

- Brake pedal is released.
- Clutch pedal is released (M/T).
- A/T selector lever is in other than P and N position (A/T).
- Vehicle speed is between 40 km/h (25 MPH) and 144 km/h (89 MPH).

ASCD MOTOR ACTUATOR OPERATION

When the ASCD activates, power is supplied

- from terminal 7 of ASCD control unit
- to ASCD motor actuator terminal 1, and
- from terminal 12 of ASCD control unit
- to ASCD motor actuator terminal 6.

Ground is supplied

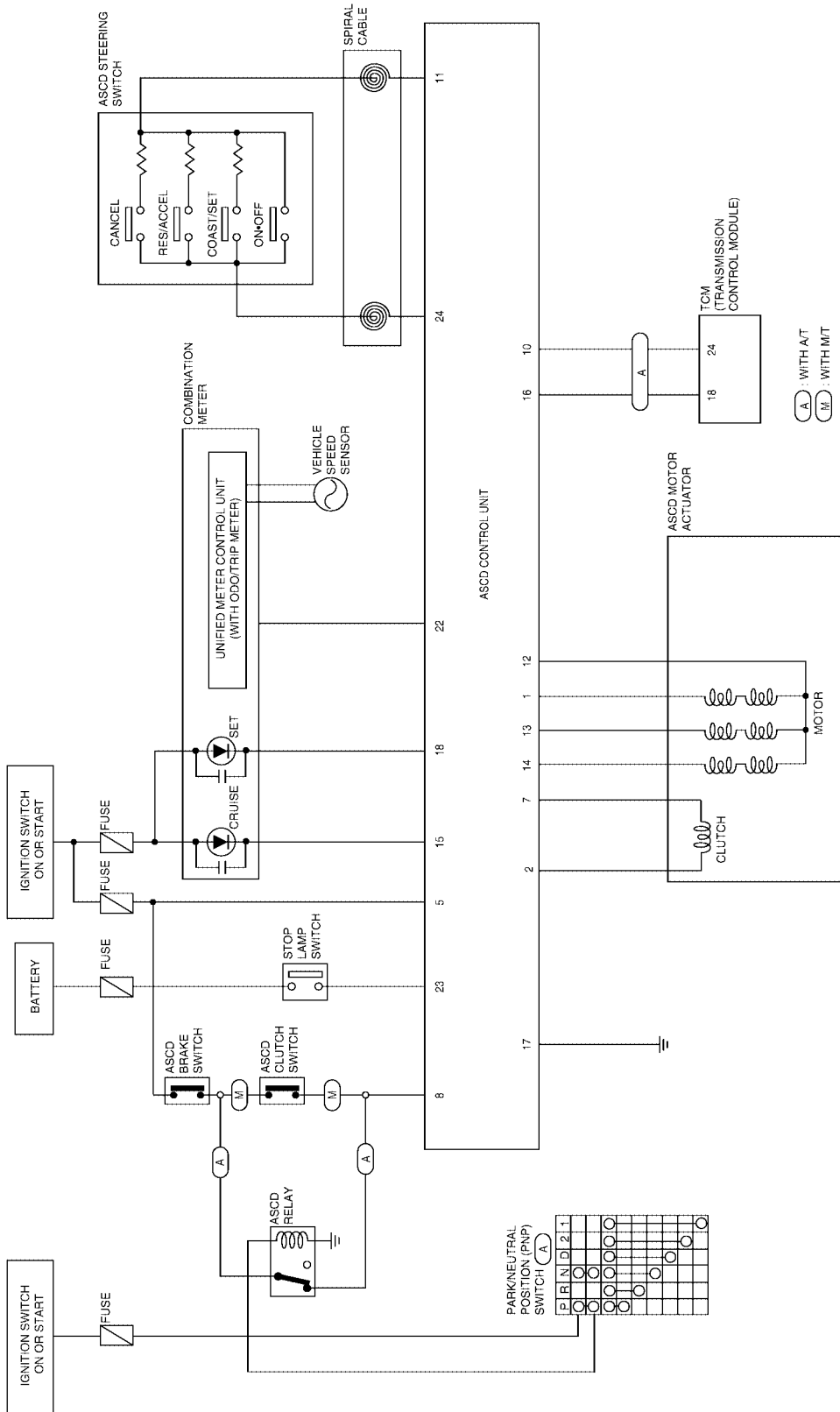
- from ASCD control unit terminals 1, 13, and 14
- to terminals 3, 5, and 2 of ASCD motor actuator.

Power to the actuator motor is supplied constantly from the ASCD control unit. The ASCD control unit then switches the actuator motor ground signals ON and OFF to control actuator motor operation and vehicle speed.

AUTOMATIC SPEED CONTROL DEVICE (ASCD)

Circuit Diagram

EKS006XH



A
B
C
D
E
F
G
H
I
J
L
M

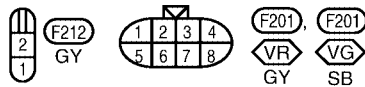
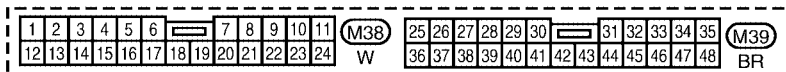
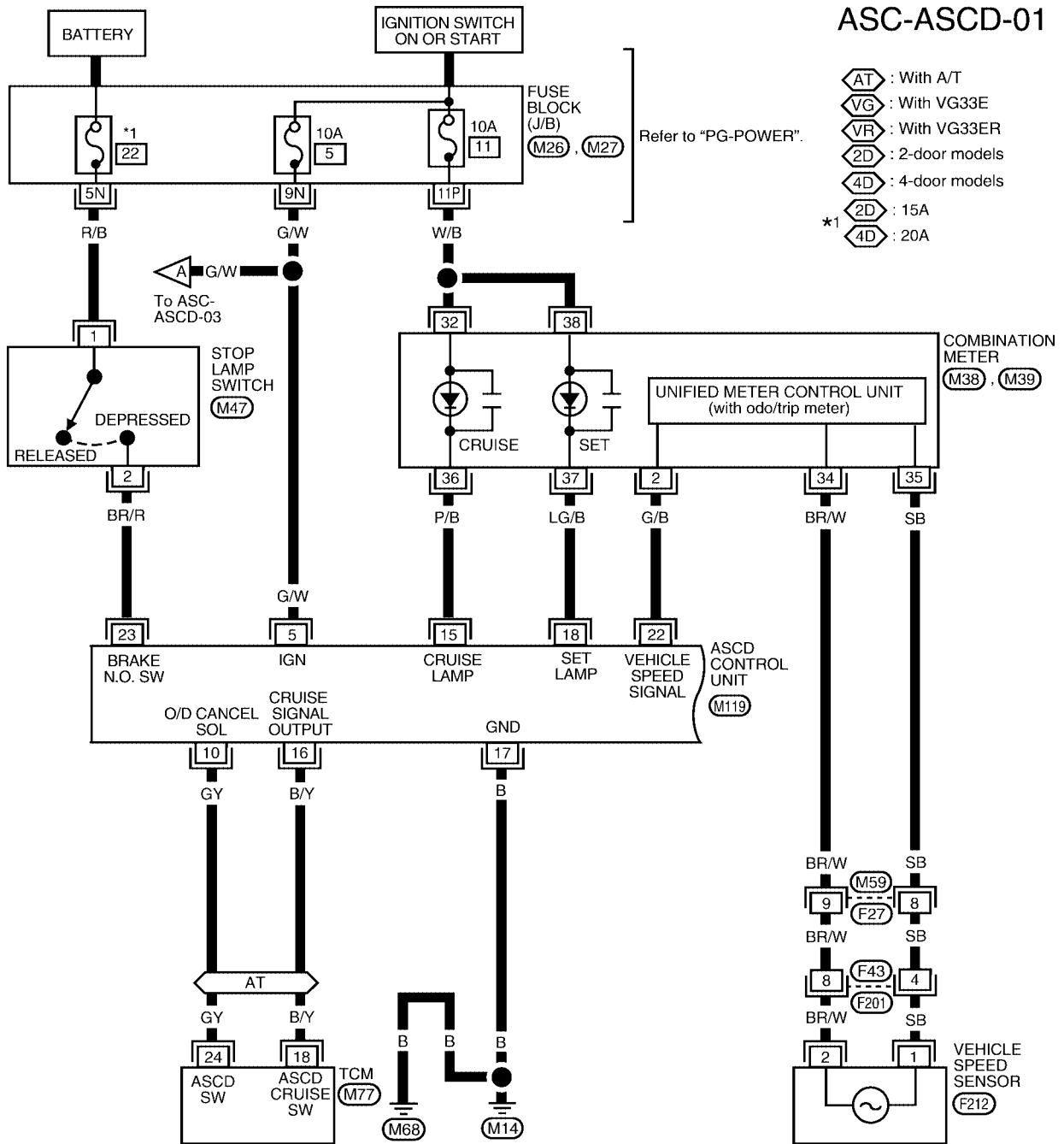
ACS

WKWA0627E

AUTOMATIC SPEED CONTROL DEVICE (ASCD)

EKS006X1

Wiring Diagram — ASCD —
FIG. 1



Refer to the following.

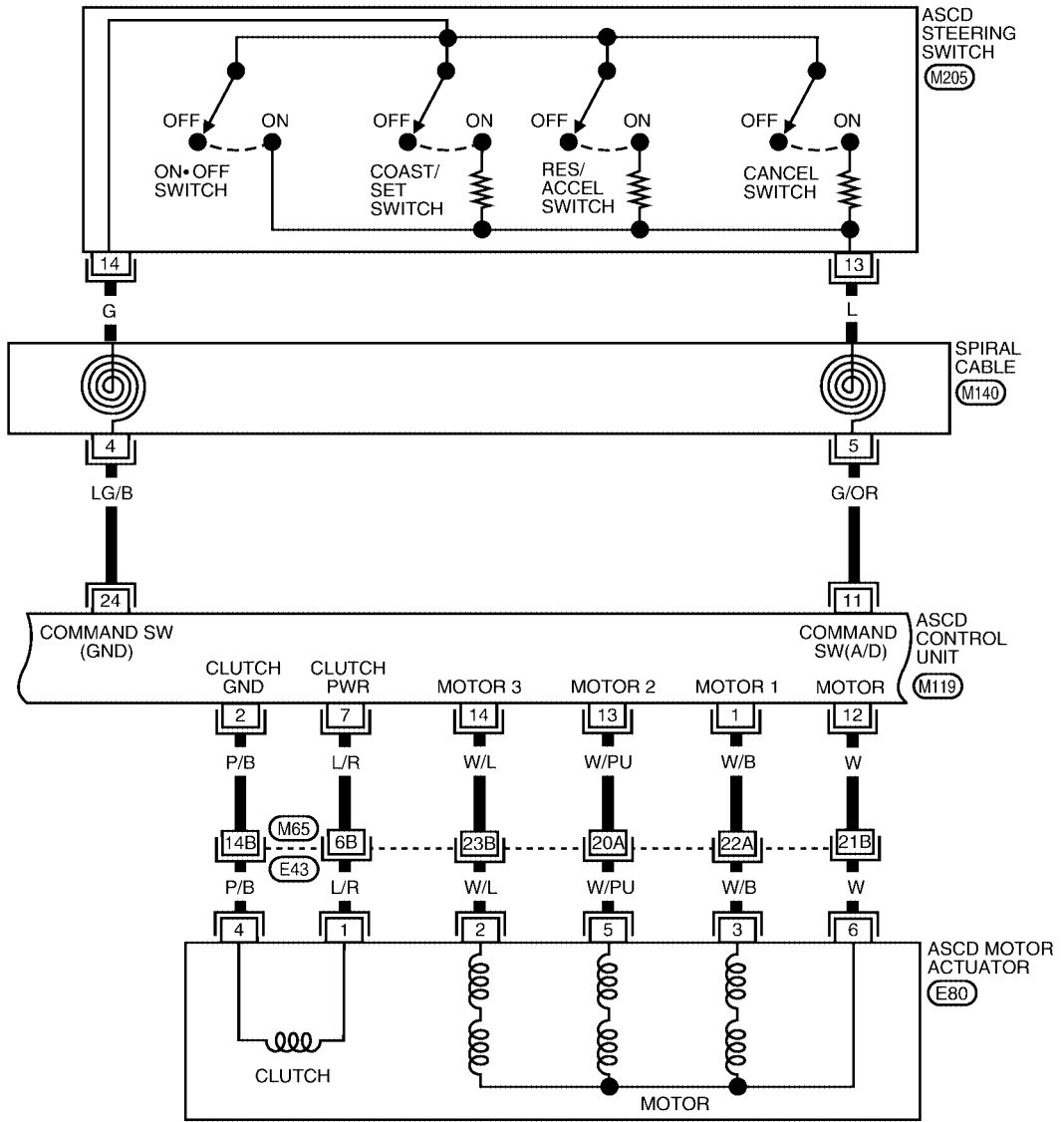
(M77) - ELECTRICAL UNITS

(M26), (M27) - FUSE BLOCK-JUNCTION BOX (J/B)

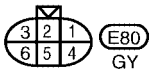
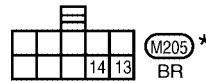
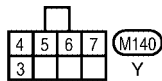
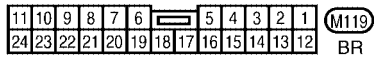
AUTOMATIC SPEED CONTROL DEVICE (ASCD)

FIG. 2

ASC-ASCD-02



A
B
C
D
E
F
G
H
I
J
ACS
L
M

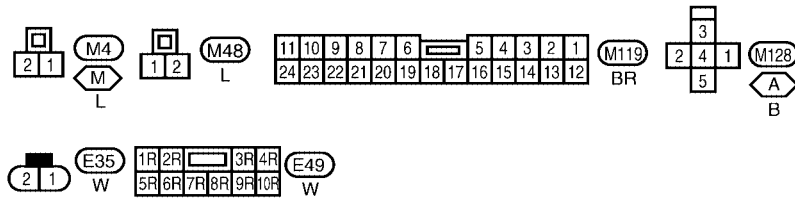
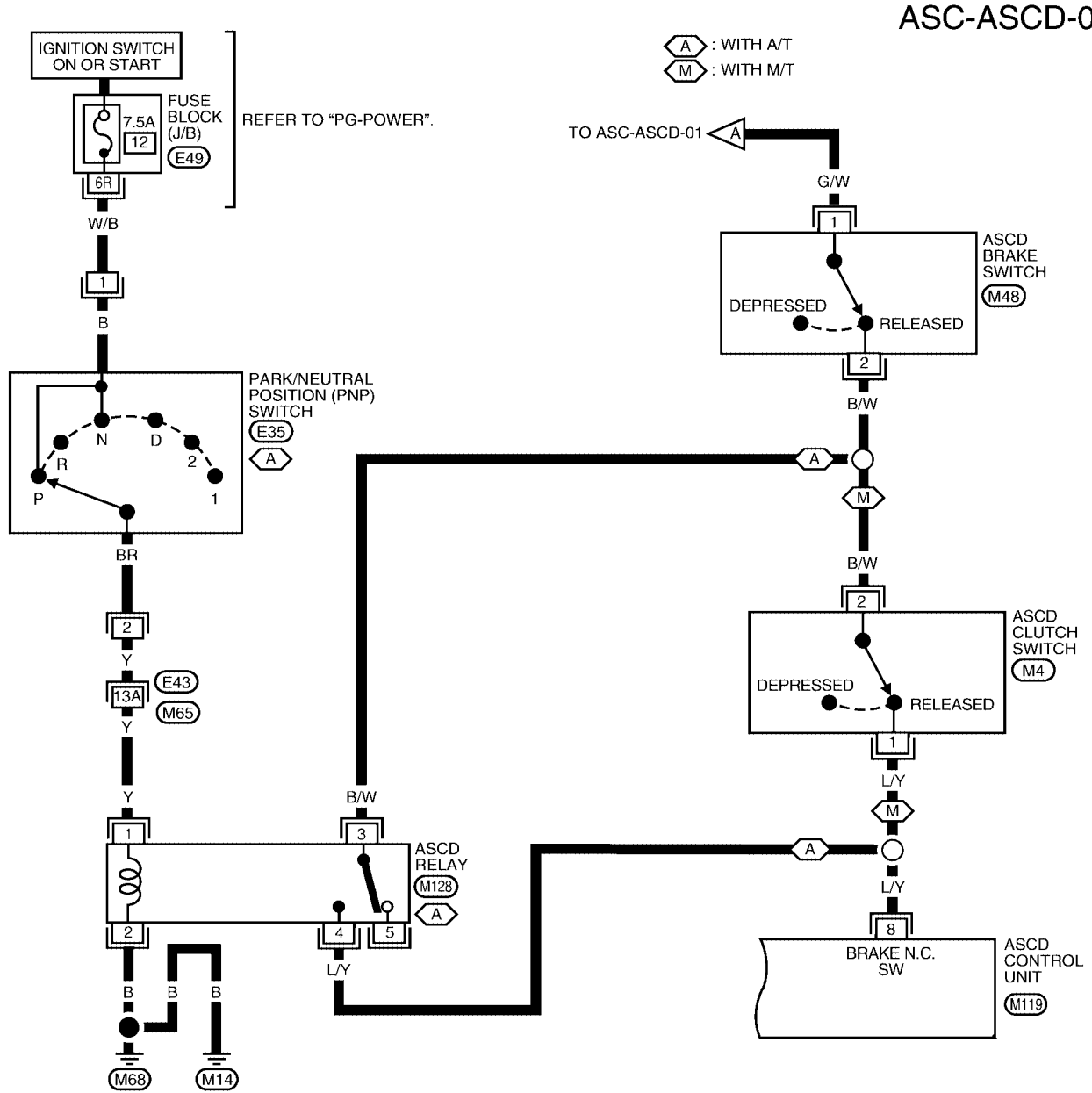


Refer to the following.
 (E43) - SUPER
 MULTIPLE JUNCTION (SMJ)

* : This connector is not shown in "HARNES LAYOUT" of PG section.

AUTOMATIC SPEED CONTROL DEVICE (ASCD)

FIG. 3



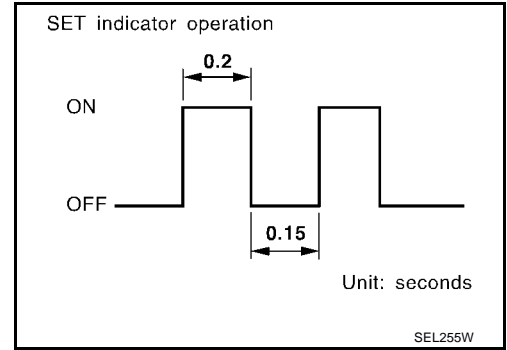
Refer to the following.
 (E43) - SUPER MULTIPLE JUNCTION (SMJ)

AUTOMATIC SPEED CONTROL DEVICE (ASCD)

EKS006XJ

Fail-safe System DESCRIPTION

When the fail-safe system senses a malfunction, it deactivates ASCD operation. The SET indicator in the combination meter will then flash.



MALFUNCTION DETECTION CONDITIONS

| Detection conditions | ASCD operation during malfunction detection |
|---|---|
| <ul style="list-style-type: none"> ● ASCD steering (RES/ACCEL, CANCEL, COAST/SET) switch is stuck. ● ASCD motor actuator ground circuit or power circuit is open or shorted. ● ASCD motor actuator has internal malfunction. ● Vehicle speed sensor is faulty. ● ASCD control unit internal circuit is malfunctioning. | <ul style="list-style-type: none"> ● ASCD is deactivated. ● Vehicle speed memory is canceled. |
| <ul style="list-style-type: none"> ● ASCD brake switch or stop lamp switch is faulty. | <ul style="list-style-type: none"> ● ASCD is deactivated. ● Vehicle speed memory is not canceled. |

A
B
C
D
E
F
G
H
I
J
L
M

ACS

AUTOMATIC SPEED CONTROL DEVICE (ASCD)

EKS006XX

Trouble Diagnoses SYMPTOM CHART

| PROCEDURE | Diagnostic procedure | | | | | | |
|--|------------------------|---------------------------------------|-----------------------------------|----------------------------|----------------------------|-----------------------------------|---------------------------|
| REFERENCE PAGE | ACS-11 | ACS-14 | ACS-15 | ACS-17 | ACS-18 | ACS-18 | ACS-20 |
| SYMPTOM | FAIL-SAFE SYSTEM CHECK | POWER SUPPLY AND GROUND CIRCUIT CHECK | ASCD BRAKE/STOP LAMP SWITCH CHECK | ASCD STEERING SWITCH CHECK | VEHICLE SPEED SENSOR CHECK | ASCD MOTOR ACTUATOR CIRCUIT CHECK | ASCD MOTOR ACTUATOR CHECK |
| ASCD cannot be set. ("CRUISE" indicator lamp does not turn ON.) | | X | | X*3 | | | |
| ASCD cannot be set. ("SET" indicator lamp does not turn ON.) | | | X | X | X | | |
| ASCD cannot be set. ("SET" indicator lamp blinks. *1) | X | | X | X | X | X | |
| Vehicle speed does not decrease after COAST/SET switch has been pressed. | | | | X | | | X |
| Vehicle speed does not return to the set speed after RES/ACCEL switch has been pressed. *2 | | | | X | | | X |
| Vehicle speed does not increase after RES/ACCEL switch has been pressed. | | | | X | | | X |
| System is not released after CANCEL switch (steering) has been pressed. | | | | X | | | X |
| Large difference between set speed and actual vehicle speed. | | | | | X | X | X |
| Deceleration is greatest immediately after ASCD has been set. | | | | | X | X | X |

X: Applicable

*1: It indicates that system is in fail-safe. After completing diagnostic procedures, perform "FAIL-SAFE SYSTEM CHECK", ([ACS-13](#)) to verify repairs.

*2: If vehicle speed is greater than 40 km/h (25 MPH) after system has been released, pressing RES/ACCEL switch returns vehicle speed to the set speed previously achieved. However, doing so when the ON-OFF main switch is turned to "OFF", vehicle speed will not return to the set speed since the memory is canceled.

*3: Check only ON-OFF switch built-in steering switch.

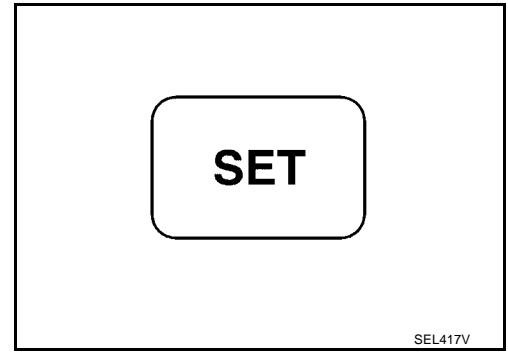
AUTOMATIC SPEED CONTROL DEVICE (ASCD)

FAIL-SAFE SYSTEM CHECK

1. Turn ignition switch to ON position.
2. Turn CRUISE ON-OFF switch to ON and check if the "SET" indicator blinks.

If the indicator lamp blinks, check the following.

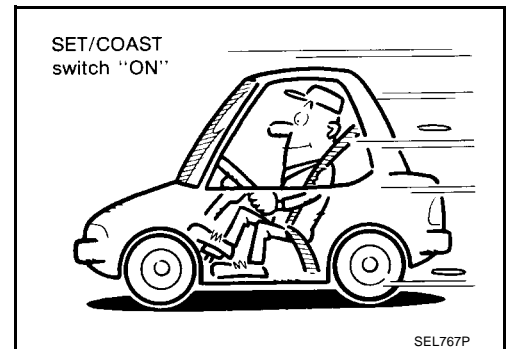
- ASCD steering switch. Refer to [ACS-17, "ASCD STEERING SWITCH CHECK"](#).



3. Drive the vehicle at more than 40 km/h (25 MPH) and push SET/COAST switch.

If the indicator lamp blinks, check the following.

- Vehicle speed sensor. Refer to [ACS-18, "VEHICLE SPEED SENSOR CHECK"](#).
- ASCD motor actuator circuit. Refer to [ACS-18, "ASCD MOTOR ACTUATOR CIRCUIT CHECK"](#).
- Replace control unit.



4. Drive the vehicle at more than 20 km/h (12 MPH).

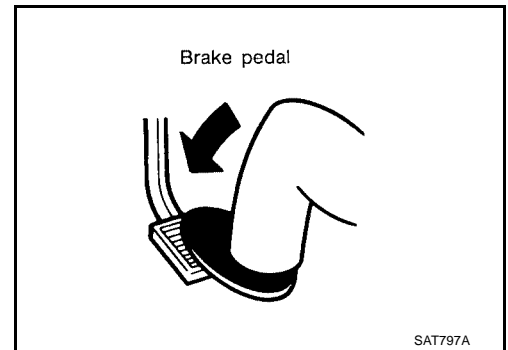
If the indicator lamp blinks, check the following.

- Replace ASCD motor actuator.

5. Depress brake pedal slowly (brake pedal should be depressed more than 5 seconds).

If the indicator lamp blinks, check the following.

- ASCD brake/stop lamp switch. Refer to [ACS-15, "ASCD BRAKE/STOP LAMP SWITCH CHECK"](#).



6. END. (System is OK.)

A
B
C
D
E
F
G
H
I
J
L
M

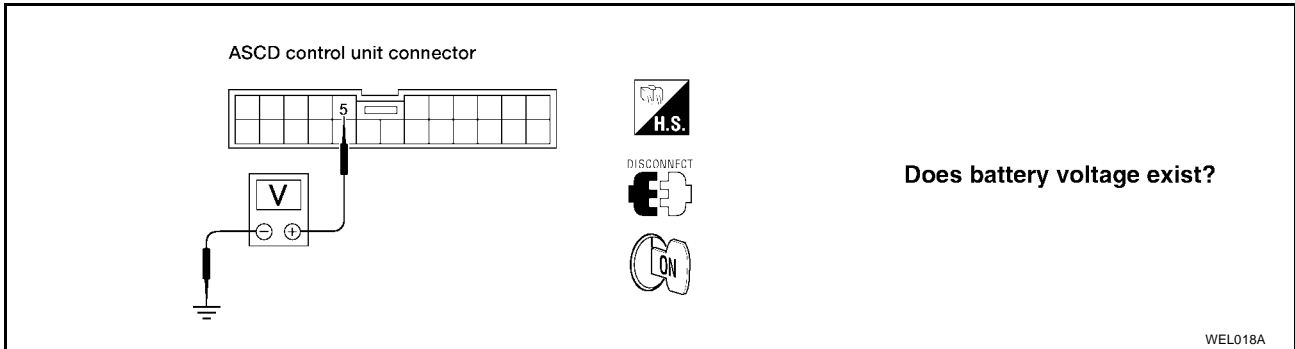
ACS

AUTOMATIC SPEED CONTROL DEVICE (ASCD)

POWER SUPPLY AND GROUND CIRCUIT CHECK

1. CHECK POWER SUPPLY CIRCUIT FOR ASCD CONTROL UNIT

1. Disconnect ASCD control unit harness connector.
2. Turn ignition switch ON.
3. Check voltage between ASCD control unit harness connector M119 terminal 5 (G/W) and ground.

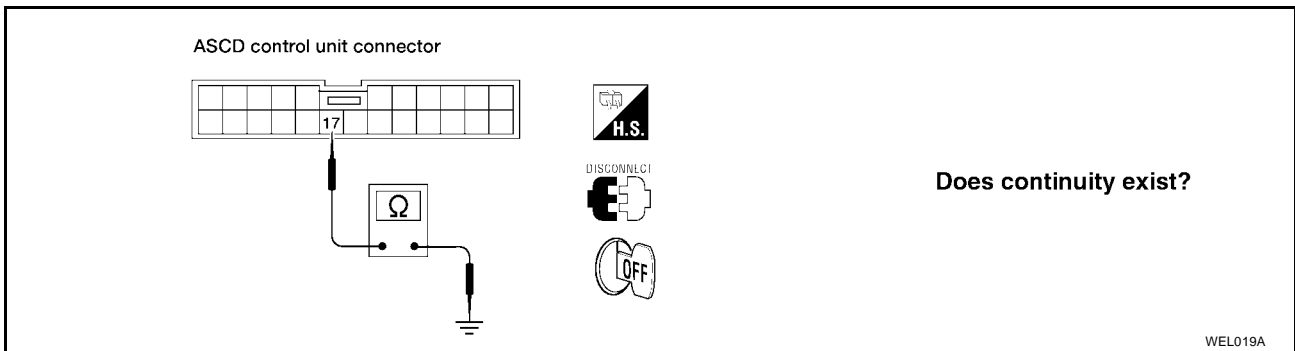


Refer to [ACS-8, "Wiring Diagram — ASCD —"](#) .

- Yes >> GO TO 2.
No >> Check the following.
- 10A fuse (No. 5 located in the fuse block)
 - Harness for open or short

2. CHECK GROUND CIRCUIT FOR ASCD CONTROL UNIT

Check continuity between ASCD control unit harness connector M119 terminal 17 (B) and ground.



Refer to [ACS-8, "Wiring Diagram — ASCD —"](#) .

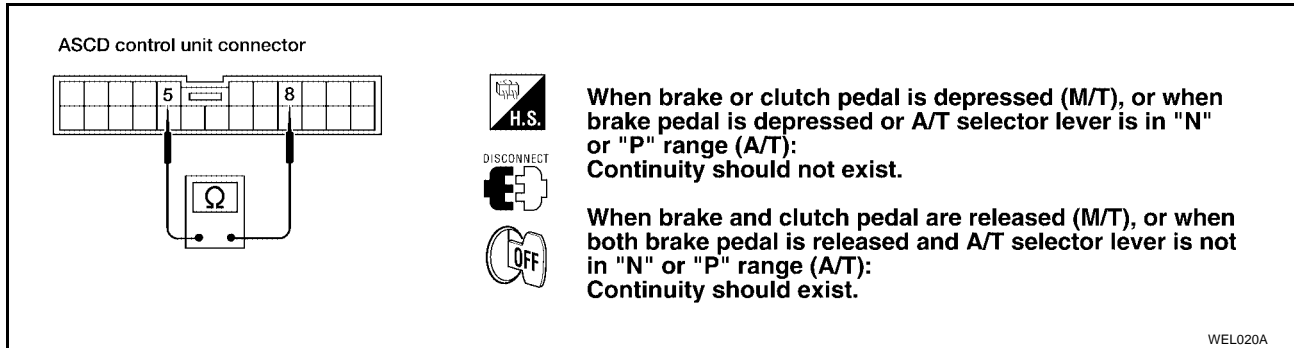
- Yes >> Power supply and ground circuit are OK.
No >> Repair harness.

AUTOMATIC SPEED CONTROL DEVICE (ASCD)

ASCD BRAKE/STOP LAMP SWITCH CHECK

1. CHECK ASCD BRAKE SWITCH CIRCUIT

1. Turn ignition switch OFF.
2. Disconnect ASCD control unit harness connector.
3. Check continuity between ASCD control unit harness connector M119 terminal 8 (L/Y) and terminal 5 (G/W).



OK or NG

OK >> GO TO 2.

NG >> Check the following.

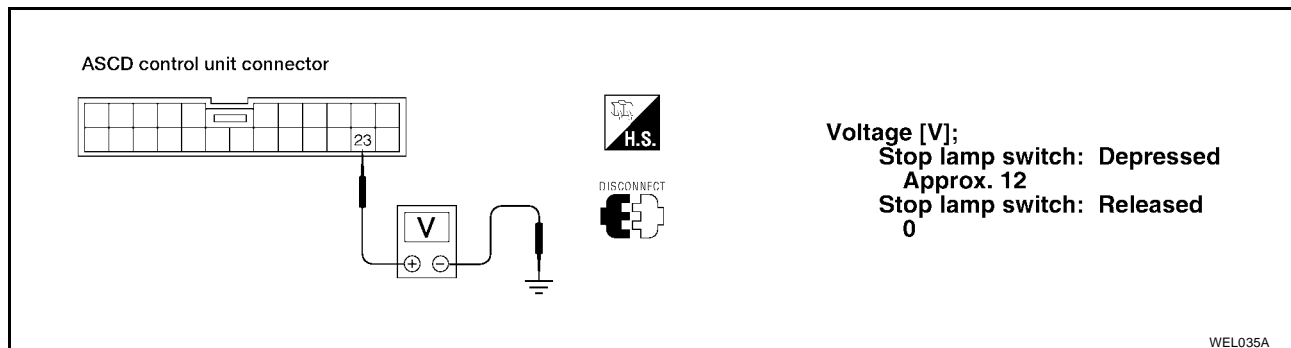
- ASCD brake switch
Refer to [ACS-15, "ASCD BRAKE/STOP LAMP SWITCH CHECK"](#) .
- Park/neutral position switch (A/T)
Refer to [ACS-21, "PARK/NEUTRAL POSITION SWITCH \(A/T\)"](#) .
- Park/neutral position relay (A/T)
Refer to [ACS-22, "ASCD RELAY \(A/T\)"](#) .
- ASCD clutch switch (M/T)
Refer to [ACS-21, "ASCD CLUTCH SWITCH \(M/T\)"](#) .
- Harness for open or short
- ASCD control unit

ACS

AUTOMATIC SPEED CONTROL DEVICE (ASCD)

2. CHECK STOP LAMP SWITCH CIRCUIT

1. Disconnect ASCD control unit harness connector.
2. Check voltage between ASCD control unit harness connector M119 terminal 23 (BR/R) and ground.



Refer to [ACS-8, "Wiring Diagram — ASCD —"](#) .

OK or NG

OK >> ASCD brake/stop lamp switch is OK.

NG >> Check the following.

- 15A fuse (2-door models) or 20A fuse (4-door models) [No. 22, located in the fuse block (J/B)]
- Harness for open or short between ASCD control unit and stop lamp switch
- Harness for open or short between fuse and stop lamp switch
- Stop lamp switch

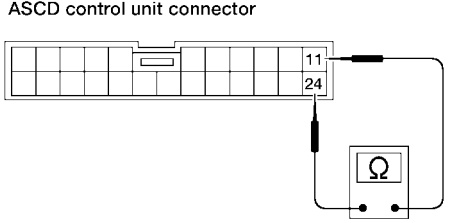
Refer to [ACS-15, "ASCDC BRAKE/STOP LAMP SWITCH CHECK"](#) .

AUTOMATIC SPEED CONTROL DEVICE (ASCD)

ASCD STEERING SWITCH CHECK

1. CHECK ASCD STEERING SWITCH CIRCUIT FOR ASCD CONTROL UNIT

Check resistance between ASCD control unit harness connector M119 terminals 11 (G/OR) and 24 (LG/B).



| | Terminal No. | Resistance (k Ω) |
|------------------|--------------|--------------------------|
| CRUISE/ON-OFF SW | 11 - 24 | Approx. 0 |
| SET/COAST SW | | 1.47 - 1.53 |
| ACCEL/RES SW | | 3.24 - 3.36 |
| CANCEL SW | | 5.00 - 5.20 |

WEL022A

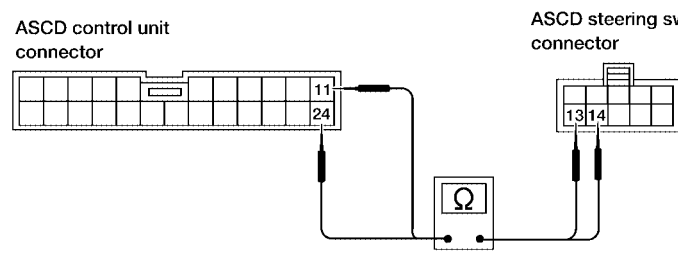
Refer to [ACS-8, "Wiring Diagram — ASCD —"](#).

OK or NG

- OK >> ASCD steering switch is OK.
- NG >> GO TO 2.

2. CHECK CIRCUIT CONTINUITY

1. Disconnect ASCD steering switch and ASCD control unit connector.
2. Check continuity between ASCD steering switch connector M205 terminal 13 (L) and ASCD control unit connector M119, terminal 11 (G/OR).
3. Check continuity between ASCD steering switch connector M205 terminal 14 (G) and ASCD control unit connector M119, terminal 24 (LG/B).



Continuity should exist.

WEL345A

Refer to [ACS-8, "Wiring Diagram — ASCD —"](#).

OK or NG

- OK >> Replace ASCD steering switch.
- NG >> Repair or replace harness or connectors.

AUTOMATIC SPEED CONTROL DEVICE (ASCD)

VEHICLE SPEED SENSOR CHECK

1. CHECK SPEEDOMETER OPERATION

Refer to [ACS-8, "Wiring Diagram — ASCD —"](#).

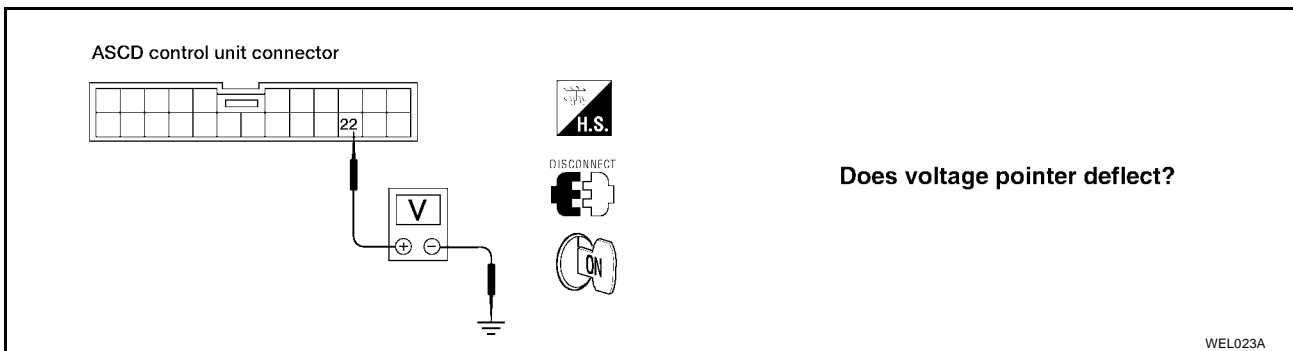
Does speedometer operate normally?

Yes >> GO TO 2.

No >> Check speedometer and vehicle speed sensor circuit. Refer to [ACS-12, "Trouble Diagnoses"](#).

2. CHECK VEHICLE SPEED INPUT

1. Apply wheel chocks and jack up drive wheel.
2. Disconnect ASCD control unit harness connector.
3. Check voltage between control unit connector M119 terminal 22 (G/B) and ground while turning drive wheel slowly by hand.



Yes or No?

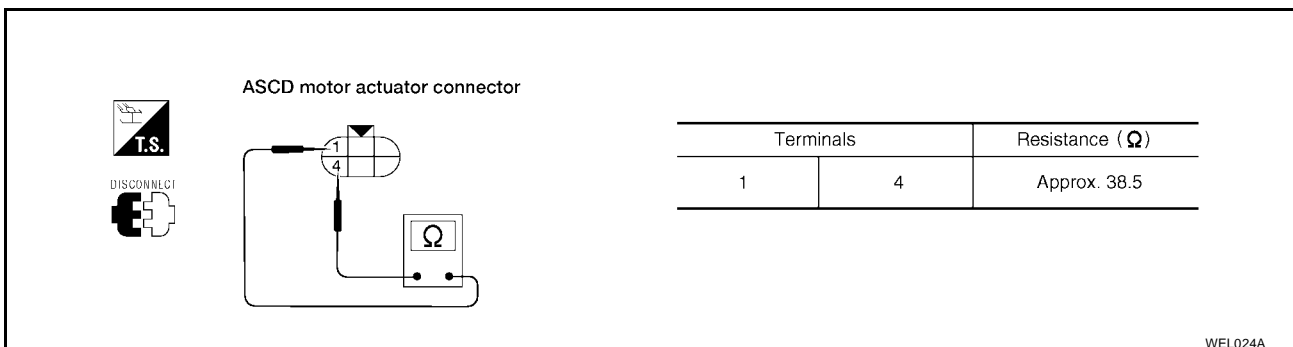
Yes >> Vehicle speed sensor is OK.

No >> Check harness for open or short between ASCD control unit connector M119 terminal 22 (G/B) and combination meter connector M39 terminal 37 (G/B).

ASCD MOTOR ACTUATOR CIRCUIT CHECK

1. CHECK ASCD MOTOR ACTUATOR (CLUTCH)

1. Disconnect ASCD motor actuator connector.
2. Measure resistance between ASCD motor actuator connector E80 terminals 1 and 4.



Refer to [ACS-8, "Wiring Diagram — ASCD —"](#).

OK or NG

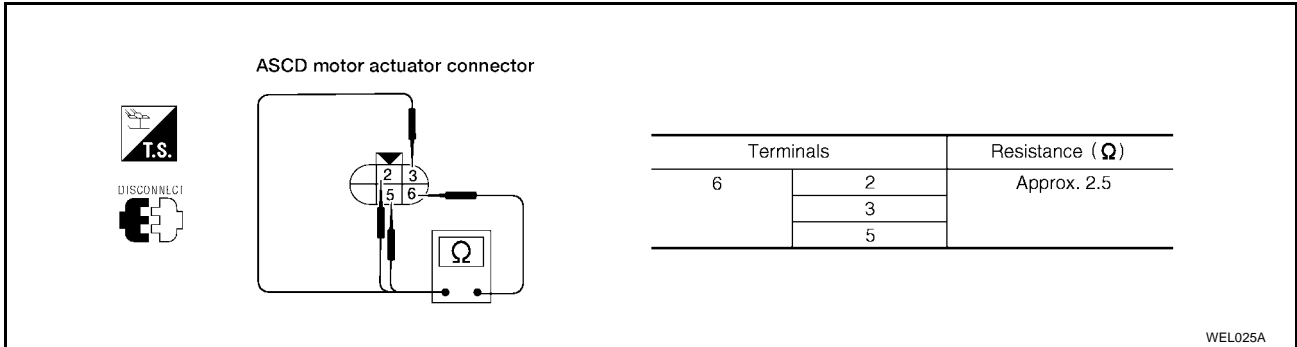
OK >> GO TO 2.

NG >> Replace ASCD motor actuator.

AUTOMATIC SPEED CONTROL DEVICE (ASCD)

2. CHECK ASCD MOTOR ACTUATOR (MOTOR)

1. Disconnect ASCD motor actuator connector.
2. Measure resistance between ASCD motor actuator connector E80 terminal 6 and terminals 2, 3, and 5.



OK or NG

OK >> Check the following.

- Harness for open or short between ASCD motor actuator and ASCD control unit
- ASCD motor actuator (clutch) ground circuit

NG >> Replace ASCD motor actuator.

A
B
C
D
E
F
G
H
I
J
L
M

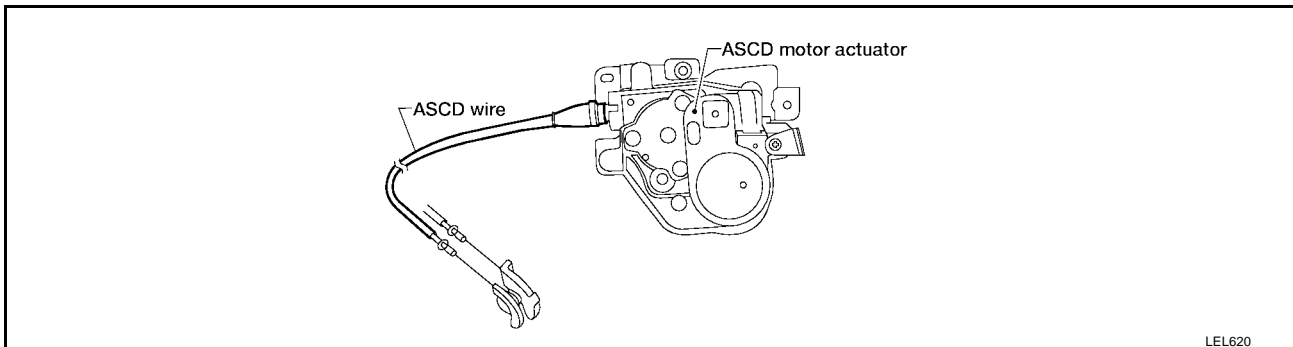
ACS

AUTOMATIC SPEED CONTROL DEVICE (ASCD)

ASCD MOTOR ACTUATOR CHECK

1. CHECK ASCD WIRE

Check wire for improper installation, rust formation or breaks.



OK or NG

OK >> Replace ASCD motor actuator.

NG >> Repair or replace wire. Refer to [ACS-23, "ASCD Wire Adjustment"](#) .

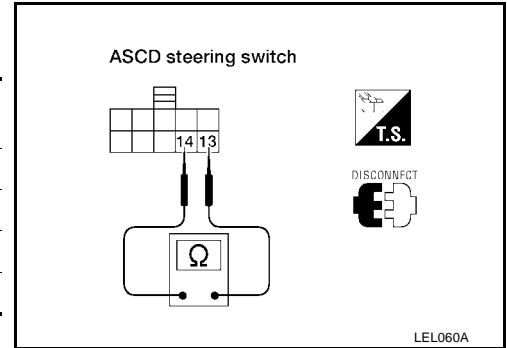
AUTOMATIC SPEED CONTROL DEVICE (ASCD)

EKS006XL

Electrical Component Inspection ASCD STEERING SWITCH

Check continuity between ASCD steering switch connector M205, terminals 14 and 13 by pushing each button.

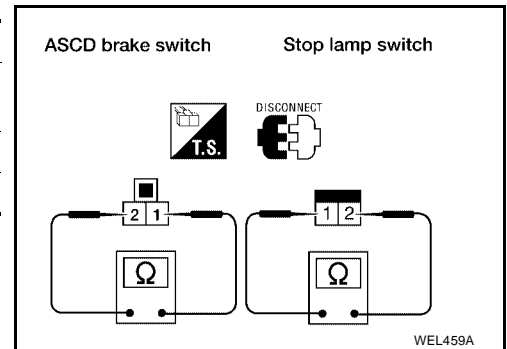
| Button | Terminals | Resistance (k Ω) (Approx.) |
|-----------|-----------|------------------------------------|
| ON-OFF | 13 - 14 | 0 |
| COAST/SET | | 1.47 - 1.53 |
| RES/ACCEL | | 3.24 - 3.36 |
| CANCEL | | 5.00 - 5.20 |



ASCD BRAKE SWITCH AND STOP LAMP SWITCH

| Condition | Continuity | |
|-------------------------------|-------------------------|------------------------|
| | ASCD brake switch (M48) | Stop lamp switch (M47) |
| When brake pedal is depressed | No | Yes |
| When brake pedal is released | Yes | No |

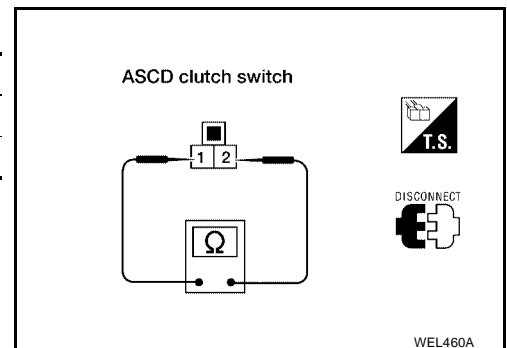
Check brake pedal adjustment after checking each switch. Refer to [BR-8, "Adjustment"](#) .



ASCD CLUTCH SWITCH (M/T)

Check continuity between ASCD clutch switch M4 terminals 1 and 2.

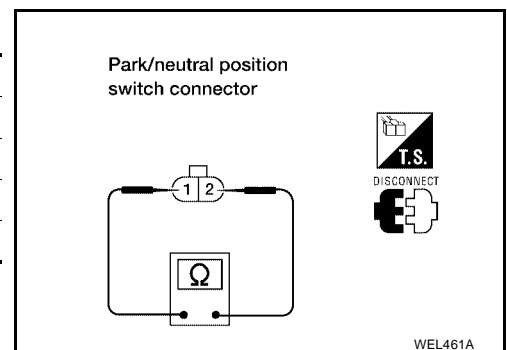
| Condition | Continuity |
|--------------------------------|------------|
| When clutch pedal is depressed | No |
| When clutch pedal is released | Yes |



PARK/NEUTRAL POSITION SWITCH (A/T)

Check continuity between PNP switch E35 terminals 1 and 2.

| A/T selector lever position | Continuity |
|-----------------------------|---------------------------|
| | Between terminals 1 and 2 |
| "P" | Yes |
| "N" | Yes |
| Except "P" and "N" | No |



A
B
C
D
E
F
G
H
I
J
L
M

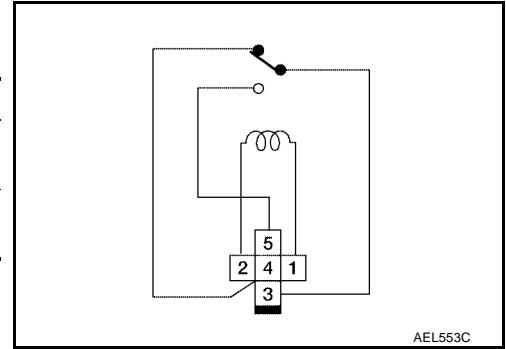
ACS

AUTOMATIC SPEED CONTROL DEVICE (ASCD)

ASCD RELAY (A/T)

Check continuity between ASCD relay harness connector M128 terminals 3 and 4, 3 and 5.

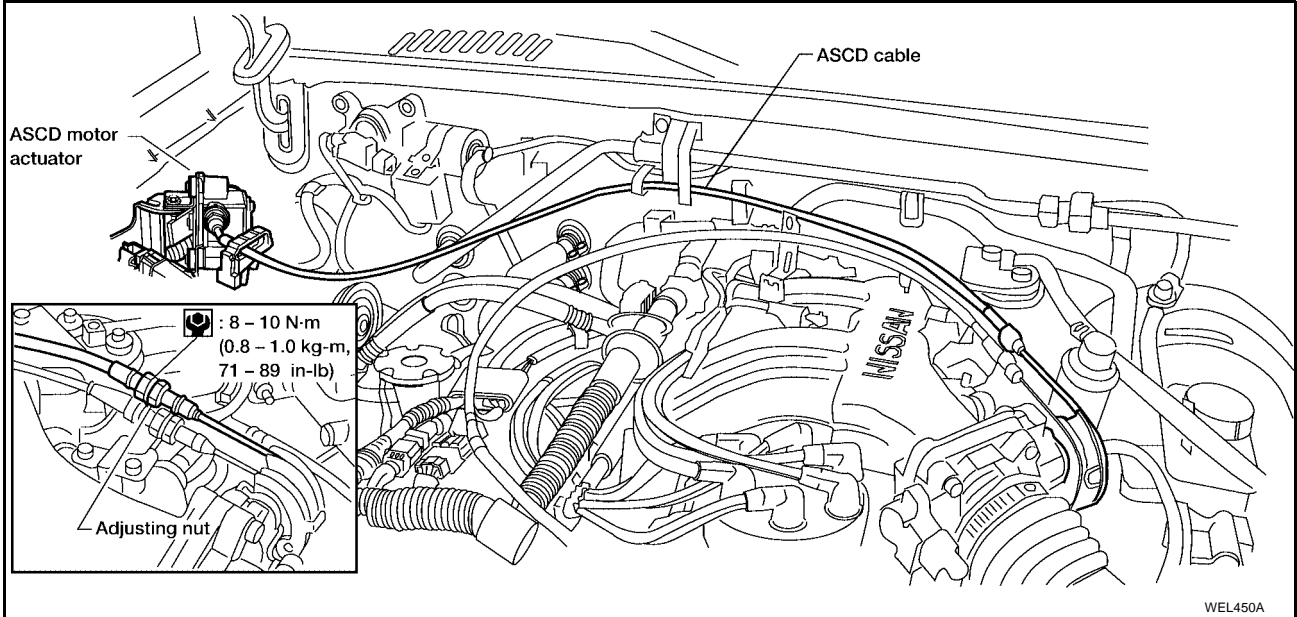
| Condition | Continuity |
|---|---------------------------|
| 12V direct current supply between terminals 1 and 2 | Between terminals 3 and 5 |
| No current supply | Between terminals 3 and 4 |



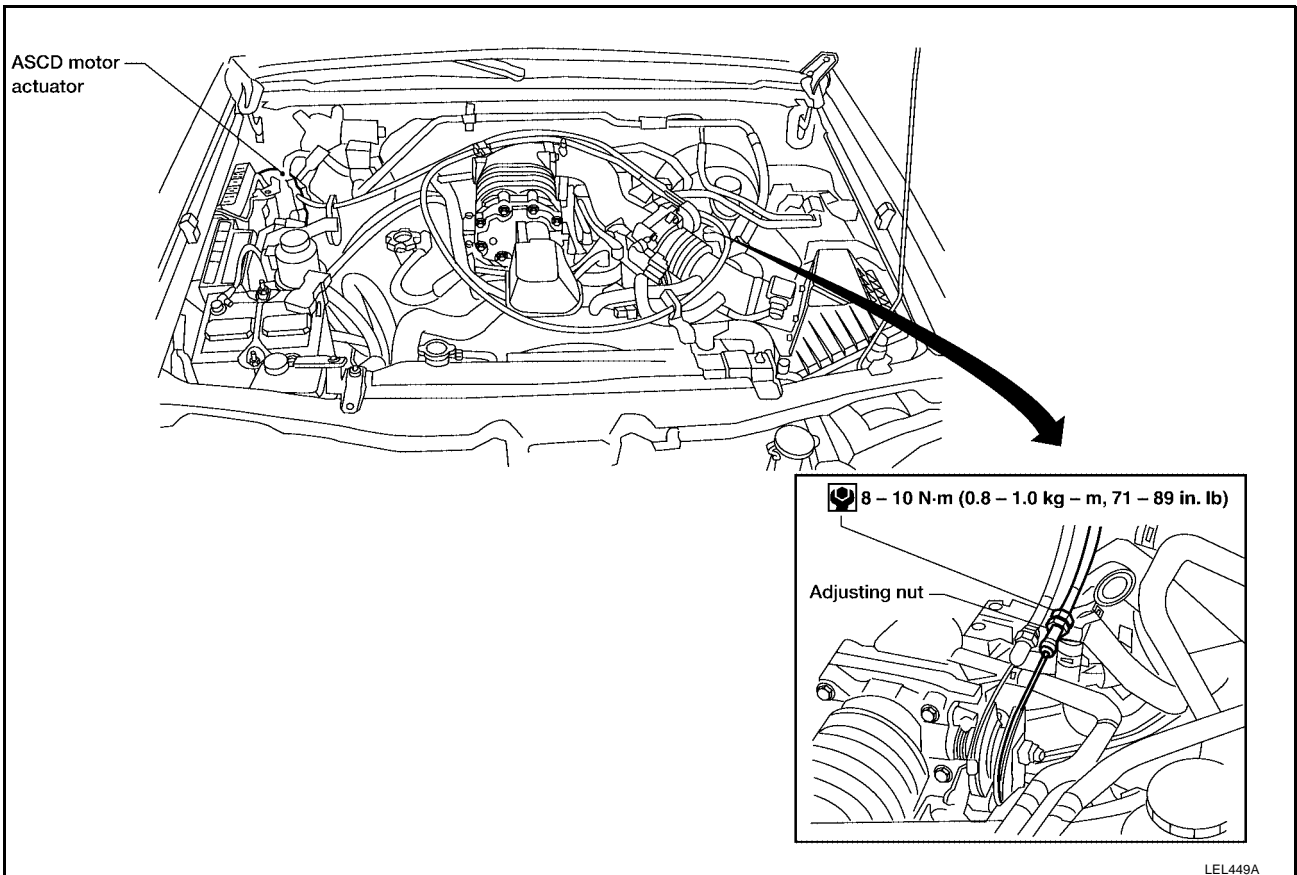
AUTOMATIC SPEED CONTROL DEVICE (ASCD)

EKS006XM

ASCD Wire Adjustment WITH VG33E



WITH VG33ER



CAUTION:

- Be careful not to twist ASCD wire when removing it.
- Do not tense ASCD wire excessively during adjustment.

Adjust the tension of ASCD wire in the following manner.

1. Loosen lock nut and adjusting nut.
2. Make sure that accelerator wire is properly adjusted. Refer to [ACS-23, "ASCD Wire Adjustment"](#).
3. Tighten adjusting nut just until throttle drum starts to move.

A
B
C
D
E
F
G
H
I
J
L
M

ACS

AUTOMATIC SPEED CONTROL DEVICE (ASCD)

4. Loosen adjusting nut again 1/2 to 1 turn.
5. Tighten lock nut.