

SECTION RFD

REAR FINAL DRIVE

A
B
C
RFD

CONTENTS

C200		
PRECAUTIONS	4	
Service Notice or Precautions	4	
PREPARATION	5	
Special Service Tools	5	
Commercial Service Tools	7	
NOISE, VIBRATION AND HARSHNESS (NVH)		
TROUBLESHOOTING	8	
NVH Troubleshooting Chart	8	
DESCRIPTION	9	
Cross-Sectional View	9	
DIFFERENTIAL GEAR OIL	10	
Changing Differential Gear Oil	10	
DRAINING	10	
FILLING	10	
Checking Differential Gear Oil	10	
OIL LEAKAGE AND OIL LEVEL	10	
FRONT OIL SEAL	11	
Removal and Installation	11	
REMOVAL	11	
INSTALLATION	12	
CARRIER COVER	13	
Removal and Installation	13	
REMOVAL	13	
INSTALLATION	13	
REAR FINAL DRIVE ASSEMBLY	14	
Removal and Installation	14	
REMOVAL	14	
INSTALLATION	14	
Disassembly and Assembly	15	
COMPONENTS	15	
ASSEMBLY INSPECTION AND ADJUSTMENT..	17	
DISASSEMBLY	21	
INSPECTION AFTER DISASSEMBLY	24	
ADJUSTMENT AND SELECTION ADJUSTING		
WASHERS	25	
ASSEMBLY	30	
SERVICE DATA AND SPECIFICATIONS (SDS)	35	
General Specifications	35	
2WD MODELS	35	
		4WD MODELS
		Inspection and Adjustment
		DRIVE GEAR RUNOUT
		DIFFERENTIAL SIDE GEAR CLEARANCE
		PRELOAD TORQUE
		BACKLASH
		COMPANION FLANGE RUNOUT
		SELECTIVE PARTS
		M226 WITHOUT ELECTRONIC LOCKING
		DIFFERENTIAL
		PRECAUTIONS
		Service Notice or Precautions
		PREPARATION
		Special Service Tools
		Commercial Service Tools
		NOISE, VIBRATION, AND HARSHNESS (NVH)
		TROUBLESHOOTING
		NVH Troubleshooting Chart
		DESCRIPTION
		Cross-Sectional View
		DIFFERENTIAL GEAR OIL
		Changing Differential Gear Oil
		DRAINING
		FILLING
		Checking Differential Gear Oil
		OIL LEAKAGE AND OIL LEVEL
		FRONT OIL SEAL
		Removal and Installation
		REMOVAL
		INSTALLATION
		CARRIER COVER
		Removal and Installation
		REMOVAL
		INSTALLATION
		REAR FINAL DRIVE ASSEMBLY
		Removal and Installation
		REMOVAL

E
F
G
H
I
J
K
L
M

INSTALLATION	49	How to Perform Trouble Diagnosis	82
Disassembly and Assembly	50	BASIC CONCEPT	82
COMPONENTS	50	Location of Electrical Parts	83
ASSEMBLY INSPECTION AND ADJUSTMENT..	51	Wiring Diagram — DIFLOC —	84
DISASSEMBLY	54	Trouble Diagnosis Chart for Symptoms	86
INSPECTION AFTER DISASSEMBLY	58	Differential Lock Control Unit Input/Output Signal	
SELECTION ADJUSTING WASHERS	59	Reference Values	86
ASSEMBLY	62	DIFFERENTIAL LOCK CONTROL UNIT	
SERVICE DATA AND SPECIFICATIONS (SDS)	68	INSPECTION TABLE	86
General Specifications	68	CONSULT-II Function (DIFF LOCK)	88
Inspection and Adjustment	68	FUNCTION	88
DIFFERENTIAL SIDE GEAR CLEARANCE	68	CONSULT-II SETTING PROCEDURE	88
PRELOAD TORQUE	68	SELF-DIAG RESULTS MODE	89
BACKLASH	68	DATA MONITOR MODE	91
COMPANION FLANGE RUNOUT	68	TROUBLE DIAGNOSIS FOR SYSTEM	92
SELECTIVE PARTS	69	Power Supply Circuit For Differential Lock Control	
		Unit	92
		DIAGNOSTIC PROCEDURE	92
		Differential Lock Control Unit	93
		DIAGNOSTIC PROCEDURE	93
		Differential Lock Mode Switch	94
		DIAGNOSTIC PROCEDURE	94
		COMPONENT INSPECTION	96
		Differential Lock Position Switch	97
		DIAGNOSTIC PROCEDURE	97
		Differential Lock Solenoid Relay	99
		DIAGNOSTIC PROCEDURE	99
		Differential Lock Solenoid	100
		DIAGNOSTIC PROCEDURE	100
		COMPONENT INSPECTION	103
		ABS System	103
		DIAGNOSTIC PROCEDURE	103
		CAN Communication Line	104
		DIAGNOSTIC PROCEDURE	104
		TROUBLE DIAGNOSIS FOR SYMPTOMS	105
		DIFF LOCK Indicator Lamp Does Not Turn ON ...	105
		DIAGNOSTIC PROCEDURE	105
		DIFF LOCK Indicator Lamp Does Not Change ...	108
		DIAGNOSTIC PROCEDURE	108
		DIFF LOCK Indicator Lamp Sometimes Flashes .	109
		DIAGNOSTIC PROCEDURE	109
		DIFFERENTIAL LOCK CONTROL UNIT	111
		Removal and Installation	111
		REMOVAL	111
		INSTALLATION	111
		FRONT OIL SEAL	112
		Removal and Installation	112
		REMOVAL	112
		INSTALLATION	114
		CARRIER COVER	115
		Removal and Installation	115
		REMOVAL	115
		INSTALLATION	115
		REAR FINAL DRIVE ASSEMBLY	116
		Removal and Installation	116
		REMOVAL	116

M226 WITH ELECTRONIC LOCKING DIFFERENTIAL

PRECAUTIONS	70
Precautions for Supplemental Restraint System (SRS) “AIR BAG” and “SEAT BELT PRE-TENSIONER”	70
Precautions for Differential Case Assembly and Differential Lock Control Unit Replacement.	70
CHECK DIFF LOCK INDICATOR LAMP	70
METHOD FOR ADJUSTMENT	71
Precautions	71
Service Notice or Precaution	71
PREPARATION	73
Special Service Tools	73
Commercial Service Tools	76
NOISE, VIBRATION AND HARSHNESS (NVH)	
TROUBLESHOOTING	77
NVH Troubleshooting Chart	77
DIFFERENTIAL GEAR OIL	78
Changing Differential Gear Oil	78
DRAINING	78
FILLING	78
Checking Differential Gear Oil	78
OIL LEAKAGE AND OIL LEVEL	78
DIFFERENTIAL LOCK SYSTEM	79
Cross-sectional View	79
Differential Lock Operation	80
System Description	80
DIFFERENTIAL LOCK SOLENOID	80
DIFFERENTIAL LOCK POSITION SWITCH	80
DIFFERENTIAL LOCK CONTROL UNIT	80
DIFFERENTIAL LOCK MODE SWITCH	80
DIFF LOCK INDICATOR LAMP	80
System Diagram	81
COMPONENTS FUNCTION DESCRIPTION	81
CAN Communication	81
SYSTEM DESCRIPTION	81
TROUBLE DIAGNOSIS	82
Fail-safe Function	82

INSTALLATION	116
Disassembly and Assembly	117
COMPONENTS	117
ASSEMBLY INSPECTION AND ADJUSTMENT	118
DISASSEMBLY	121
INSPECTION AFTER DISASSEMBLY	125
SELECTION ADJUSTING WASHERS	126
ASSEMBLY	128

SERVICE DATA AND SPECIFICATIONS (SDS) ...	134
General Specifications	134
Inspection and Adjustment	134
PRELOAD TORQUE	134
BACKLASH	134
COMPANION FLANGE RUNOUT	134
SELECTIVE PARTS	135

A
B
C

RFD

E
F
G
H
I
J
K
L
M

PRECAUTIONS

Service Notice or Precautions

EDS0026E

- Check for the correct installation status prior to removal or disassembly. If matching marks are required, be certain they do not interfere with the function of the parts when applied.
- Overhaul should be done in a clean work area, it is preferable to work in dust proof area.
- Before disassembly completely remove sand and mud from the exterior of the unit, preventing them from entering into the unit during disassembly or assembly.
- Check appearance of the disassembled parts for damage, deformation, and unusual wear. Replace them with a new ones if necessary.
- Gaskets, seals and O-rings should be replaced any time when the unit is disassembled.
- In principle, tighten bolts or nuts gradually in several steps working diagonally from inside to outside. If tightening sequence is specified, observe it.
- Clean and flush the parts sufficiently and blow-dry them.
- Do not damage sliding surfaces and mating surfaces.
- When applying sealant, remove the old sealant from the mating surface; then remove any moisture, oil, and foreign materials from the application and mating surfaces.
- Always use shop paper for cleaning the inside of components.
- Avoid using cotton gloves or shop rags to prevent entering of lint.
- During assembly, observe the specified tightening torque, and apply new differential gear oil, petroleum jelly, or multi-purpose grease as specified.

PREPARATION

[C200]

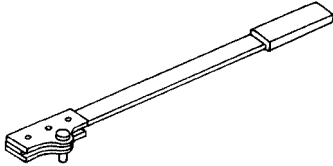
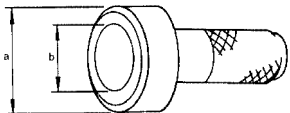
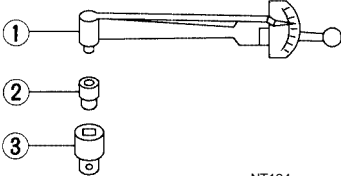
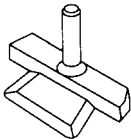
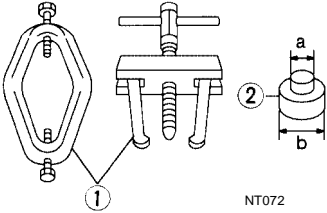
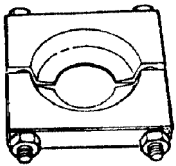
PREPARATION

PFP:00002

Special Service Tools

EDS0026F

The actual shapes of Kent-Moore tools may differ from those of special service tools illustrated here.

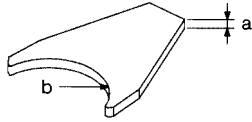
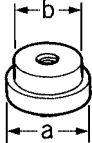
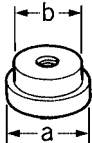
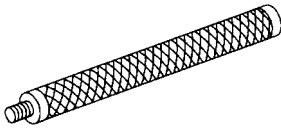
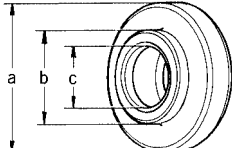
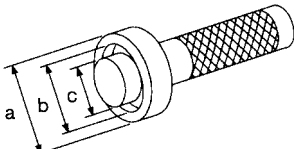
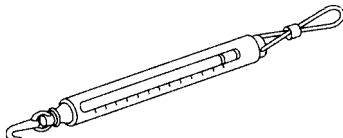
Tool number (Kent-Moore No.) Tool name	Description
KV38108300 (J-44195) Flange wrench <div style="text-align: center;">  <p>NT771</p> </div>	Removing and installing drive pinion lock nut
KV38100500 (J-25273) Drift <div style="text-align: center;">  <p>ZZA0811D</p> </div>	Installing front oil seal a: 80 mm (3.15 in) dia. b: 60 mm (2.36 in) dia.
ST3127S000 (J-25765-A) Preload gauge 1: GG91030000 (J-25765) Torque wrench 2: HT62940000 (—) Socket adapter (1/2") 3: HT62900000 (—) Socket adapter (3/8") <div style="text-align: center;">  <p>NT124</p> </div>	Measuring pinion bearing preload and total preload
KV10111100 (J-37228) Seal cutter <div style="text-align: center;">  <p>S-NT046</p> </div>	Removing rear cover
ST3306S001 (—) Differential side bearing puller set 1: ST33051001 (J-22888-20) Puller 2: ST33061000 (J-8107-2) Base <div style="text-align: center;">  <p>NT072</p> </div>	Removing and installing side bearing inner race a: 28.5 mm (1.122 in) dia. b: 38 mm (1.50 in) dia.
ST30031000 (J-22912-01) Puller <div style="text-align: center;">  <p>ZZA0700D</p> </div>	Removing pinion rear bearing inner race

A
B
C
E
F
G
H
I
J
K
L
M

RFD

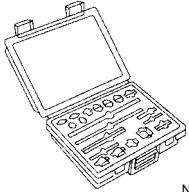
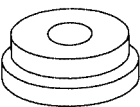
PREPARATION

[C200]

Tool number (Kent-Moore No.) Tool name	Description
KV38100600 (J-25267) Drift	Installing side bearing adjusting washer a: 8 mm (0.31 in) b: R42.5 mm (1.673 in)
 <p style="text-align: center;">NT528</p>	
ST30621000 (J-25742-5) Drift	Installing pinion rear bearing outer race a: 79 mm (3.11 in) dia. b: 59 mm (2.32 in) dia.
 <p style="text-align: center;">ZZA1000D</p>	
ST30613000 (J-25742-3) Drift	Installing pinion front bearing outer race a: 72 mm (2.83 in) dia. b: 48 mm (1.89 in) dia.
 <p style="text-align: center;">ZZA1000D</p>	
ST30611000 (J-25742-1) Drift bar	Installing pinion front bearing outer race [Use with ST30613000 (J-25742-3) and ST30621000 (J-25742-5)]
 <p style="text-align: center;">S-NT090</p>	
ST30901000 (J-26010-01) Drift	Installing pinion rear bearing inner race a: 79 mm (3.11 in) dia. b: 45 mm (1.77 in) dia. c: 35.2 mm (1.386 in) dia.
 <p style="text-align: center;">ZZA0978D</p>	
ST3323 0000 (J-25805-01) Drift	Installing side bearing inner race a: 51 mm (2.01 in) dia. b: 41 mm (1.61 in) dia. c: 28.5 mm (1.122 in) dia.
 <p style="text-align: center;">NT085</p>	
— (J-8129) Spring gauge	Measuring turning torque
 <p style="text-align: center;">NT127</p>	

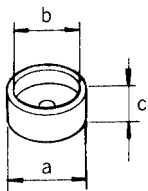
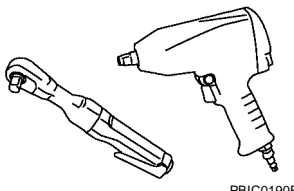
PREPARATION

[C200]

Tool number (Kent-Moore No.) Tool name	Description	
— (J-34309) Differential shim selector tool	 NT134	A B C
— (J-25269-4) Side bearing disc (2 Req'd)	 NT136	RFD E

Commercial Service Tools

EDS0026G

Tool name	Description	
Spacer	 ZZA1133D	F G H I
Power tool	 PBIC0190E	J K L M

DESCRIPTION

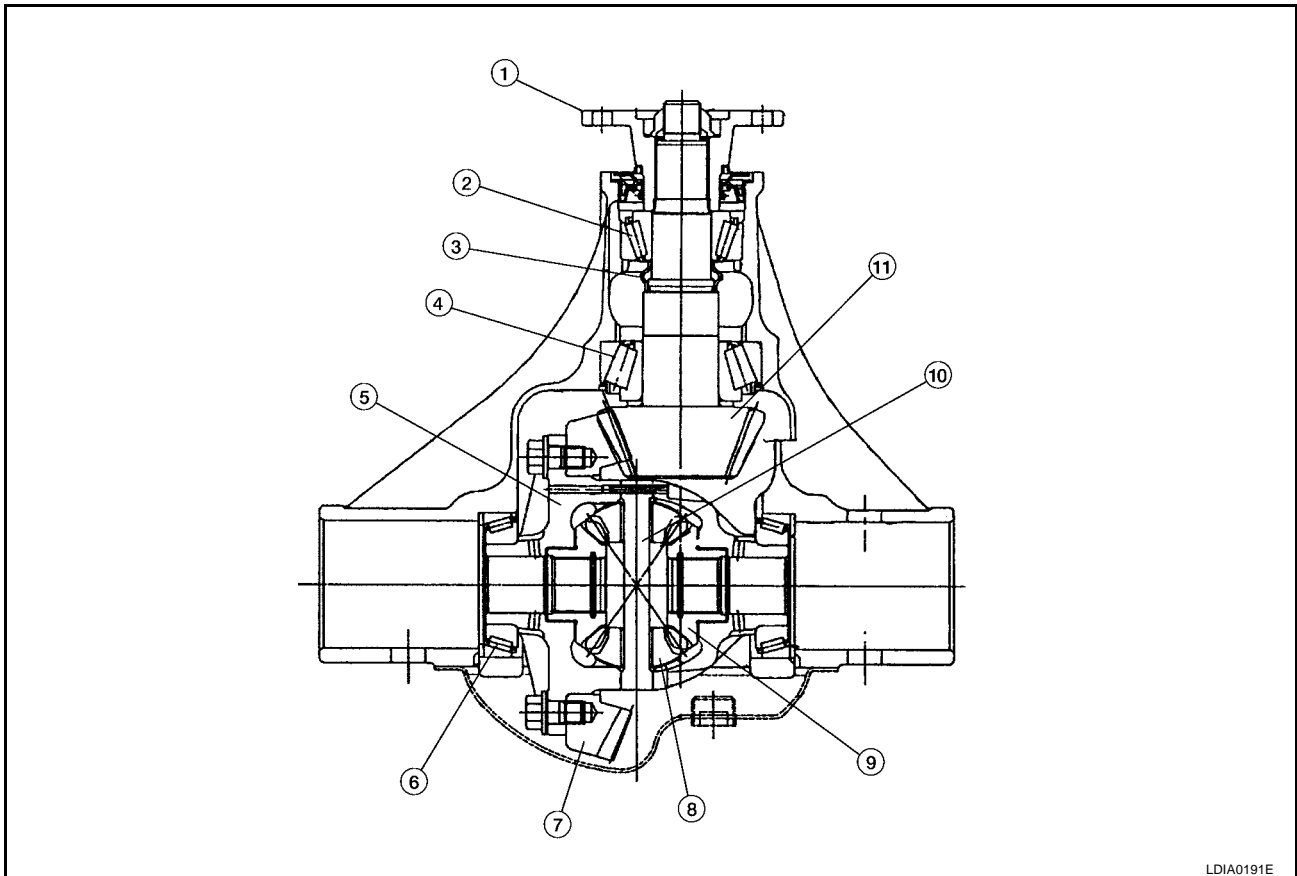
[C200]

PF0:00000

EDS0026I

DESCRIPTION

Cross-Sectional View



- | | | |
|------------------------|-------------------------|-----------------------|
| 1. Companion flange | 2. Pinion front bearing | 3. Collapsible spacer |
| 4. Pinion rear bearing | 5. Differential case | 6. Side bearing |
| 7. Drive gear | 8. Pinion mate gear | 9. Side gear |
| 10. Pinion mate shaft | 11. Drive pinion | |

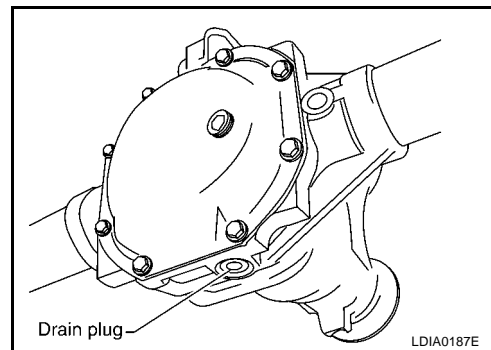
A
B
C
RFD
E
F
G
H
I
J
K
L
M

DIFFERENTIAL GEAR OIL

Changing Differential Gear Oil DRAINING

1. Stop engine.
2. Remove drain plug and drain gear oil.
3. Set a gasket on drain plug and install it to final drive assembly and tighten to the specified torque. Refer to [RFD-15, "COMPONENTS"](#) .

CAUTION:
Do not reuse gasket.



FILLING

1. Remove filler plug. Fill with new gear oil until oil level reaches the specified level near filler plug hole.

Oil grade and Viscosity:

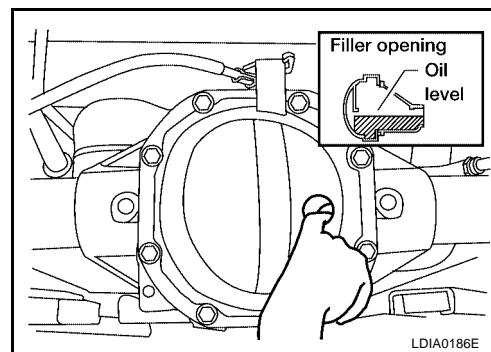
Refer to [MA-11, "Fluids and Lubricants"](#) .

Oil capacity:

Refer to [MA-11, "Fluids and Lubricants"](#) .

2. After refilling oil, check oil level. Apply sealant to filler plug. Install filler plug to final drive assembly and tighten to the specified torque. Refer to [RFD-15, "COMPONENTS"](#) .

- Use Genuine Silicone RTV or equivalent. Refer to [GI-48, "Recommended Chemical Products and Sealants"](#) .



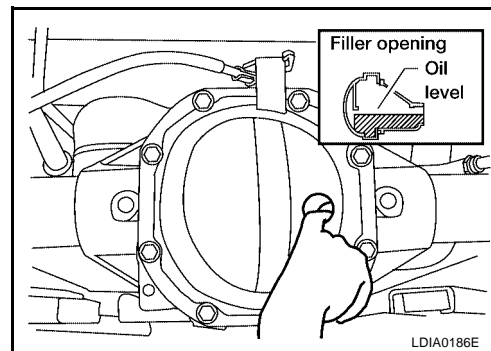
Checking Differential Gear Oil OIL LEAKAGE AND OIL LEVEL

1. Make sure that gear oil is not leaking from final drive assembly or around it.
2. Check oil level from filler plug hole as shown.

CAUTION:
Do not start engine while checking oil level.

3. Apply sealant to filler plug. Install filler plug to final drive assembly and tighten to the specified torque. Refer to [RFD-50, "COMPONENTS"](#) .

- Use Genuine Silicone RTV or equivalent. Refer to [GI-48, "Recommended Chemical Products and Sealants"](#) .



FRONT OIL SEAL

Removal and Installation

REMOVAL

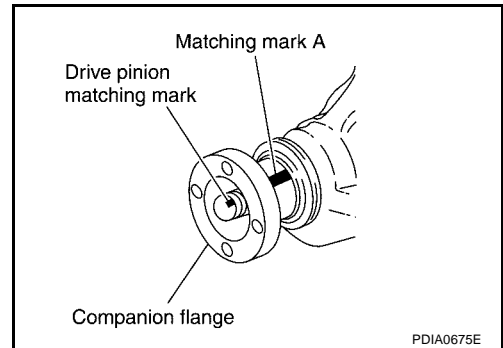
1. Remove the propeller shaft. Refer to [PR-5, "Removal and Installation"](#) .
2. Put matching mark on the end of the drive pinion. The matching mark should be in line with the matching mark A on companion flange.

CAUTION:

For matching mark, use paint. Do not damage drive pinion.

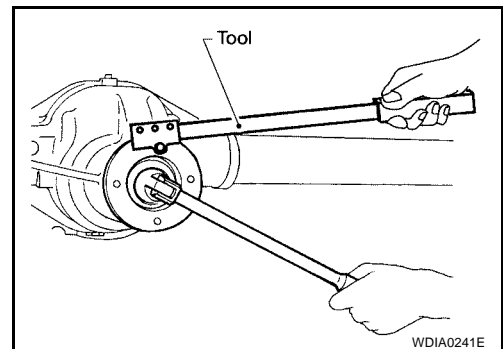
NOTE:

The matching mark A on the final drive companion flange indicates the maximum vertical runout position.

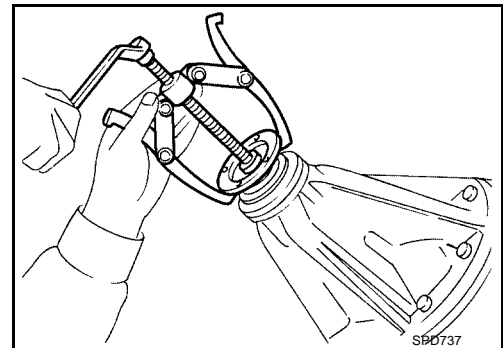


3. Remove the drive pinion lock nut using Tool.

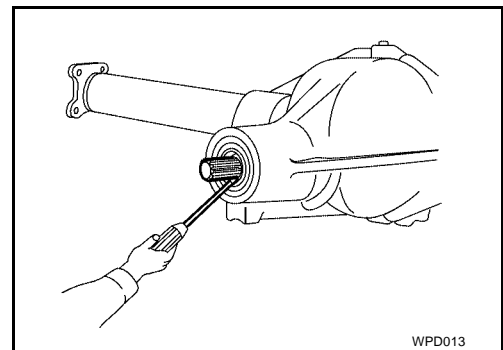
Tool number : KV38108300 (J-44195)



4. Remove the companion flange using suitable tool.



5. Remove the front oil seal using suitable tool.



A
B
C
RFD
E
F
G
H
I
J
K
L
M

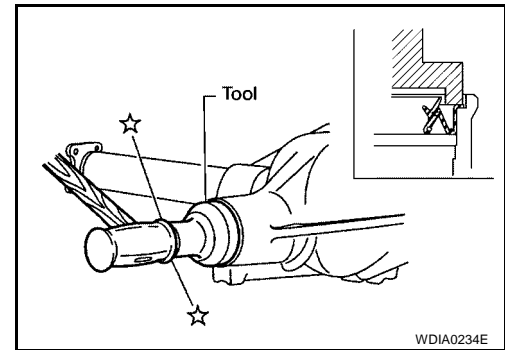
INSTALLATION

1. Apply multi-purpose grease to the front oil seal lips.
2. Install the front oil seal using Tool.

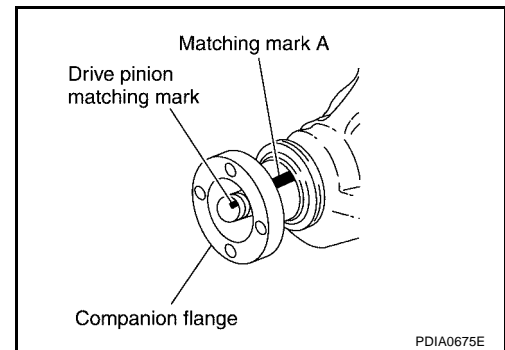
Tool number : KV38100500 (J-25273)

CAUTION:

- Do not reuse oil seal.
- Do not incline oil seal when installing.



3. Align the matching mark of drive pinion with the matching mark A of companion flange, then install the companion flange.



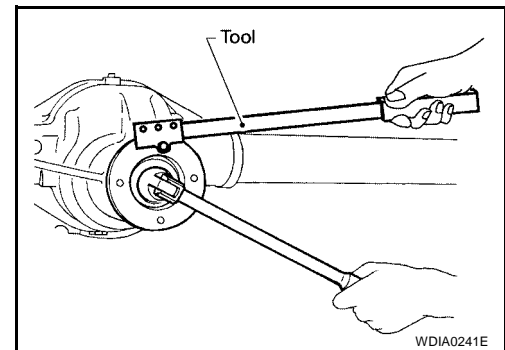
4. Apply gear oil on the screw part of drive pinion and the seating surface of drive pinion lock nut.
5. Install the drive pinion lock nut and tighten to the specified torque using Tool. Refer to [RFD-15, "COMPONENTS"](#).

Tool number : KV38108300 (J-44195)

CAUTION:

Do not reuse drive pinion lock nut.

6. Install the propeller shaft. Refer to [PR-5, "Removal and Installation"](#).

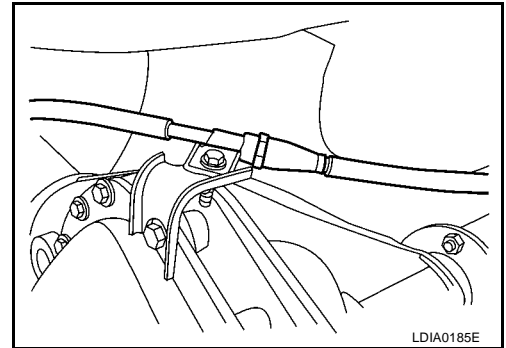


CARRIER COVER

Removal and Installation

REMOVAL

1. Remove the drain plug and drain the gear oil. Refer to [RFD-10, "DRAINING"](#) .
2. Disconnect the parking brake cable from the carrier cover.

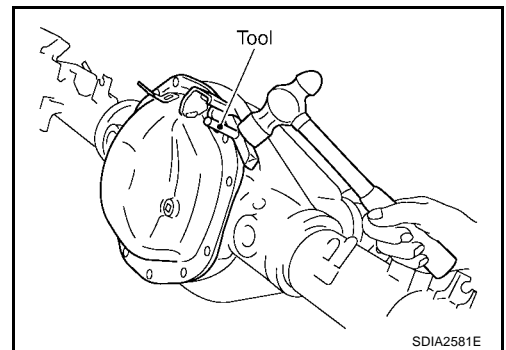


3. Remove the carrier cover bolts. Then separate the carrier cover from the axle housing using Tool.

Tool number : KV10111100 (J-37228)

CAUTION:

- Do not damage the mating surface.
- Do not insert flat-bladed screwdriver, this will damage the mating surface.



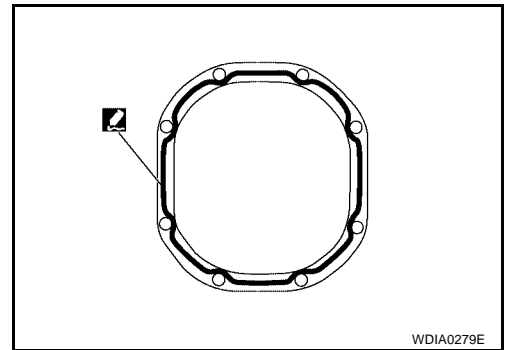
INSTALLATION

1. Apply sealant to mating surface of carrier cover.
 - Use Genuine Silicone RTV or equivalent. Refer to [GI-48, "Recommended Chemical Products and Sealants"](#) .

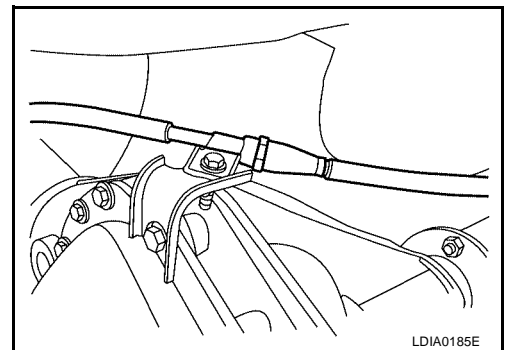
CAUTION:

Remove old sealant adhering to mating surfaces. Also remove any moisture, oil, or foreign material adhering to application and mating surfaces.

2. Install carrier cover on axle housing and tighten carrier cover bolts to the specified torque. Refer to [RFD-15, "COMPONENTS"](#) .



3. Connect the parking brake cable to the carrier cover and tighten to the specified torque. Refer to [PB-4, "Components"](#) .
4. Fill with new gear oil until oil level reaches the specified limit near filler plug hole. Refer to [RFD-10, "Checking Differential Gear Oil"](#) .



A
B
C
RFD
E
F
G
H
I
J
K
L
M

REAR FINAL DRIVE ASSEMBLY

Removal and Installation

REMOVAL

1. Drain the rear final drive gear oil. Refer to [RFD-44, "DRAINING"](#) .
2. Remove the rear propeller shaft. Refer to [PR-10, "Removal and Installation"](#) .
3. Remove the axle shafts, back plates and torque members. Refer to [RAX-7, "Removal and Installation"](#) .
4. Disconnect the following components from the rear final drive.
 - ABS sensor wire harness
 - Parking brake cable
 - Brake hoses

CAUTION:

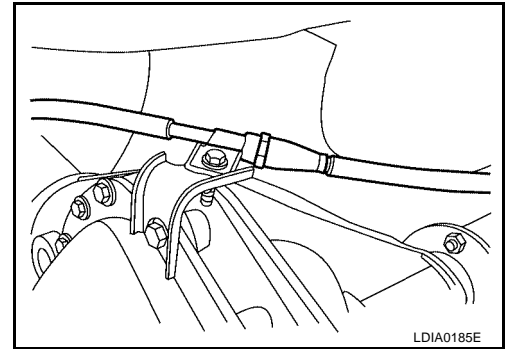
Position the wire harness, cable and hoses away from the final drive assembly. Failure to do so may result in components being damaged during rear axle assembly removal.

5. Support the rear final drive using a suitable jack.
6. Remove rear shock absorber lower bolts. Refer to [RSU-7, "Removal and Installation"](#) .
7. Remove leaf spring U-bolt nuts. Refer to [RSU-8, "Removal and Installation"](#) .

WARNING:

Support the rear final drive assembly using suitable jack before removing leaf spring U-bolt nuts.

8. Remove rear final drive assembly using suitable jack.



INSTALLATION

Installation is in the reverse order of removal.

- Fill the rear final drive with new gear oil until oil level reaches the specified limit near the filler plug hole. Refer to [RFD-44, "Checking Differential Gear Oil"](#) .
- Refill brake fluid and bleed the air from the brake system. Refer to [BR-10, "Bleeding Brake System"](#) .

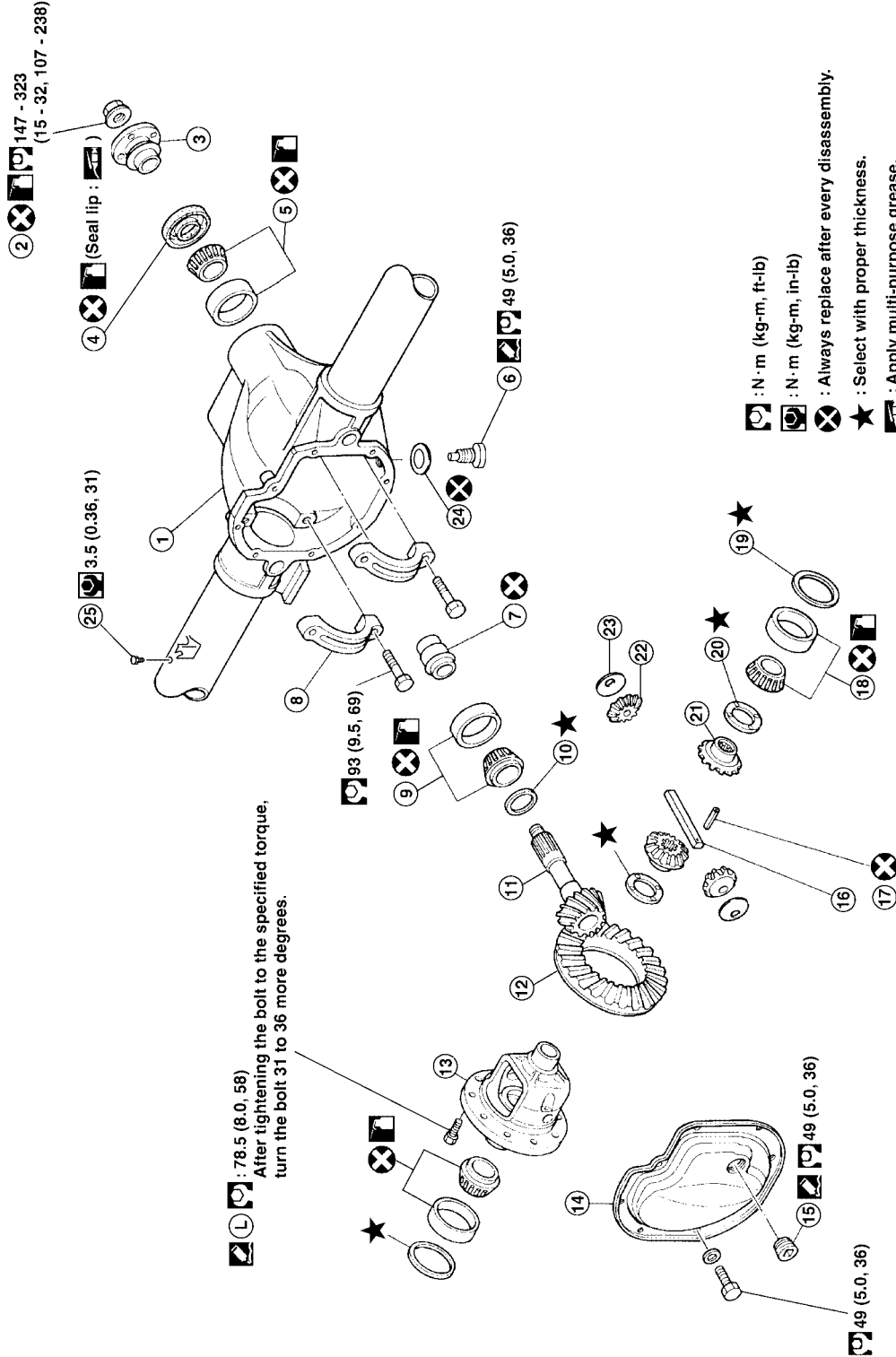
REAR FINAL DRIVE ASSEMBLY

[C200]

Disassembly and Assembly COMPONENTS

EDS00260

SEC. 380



76.5 (8.0, 58)
After tightening the bolt to the specified torque, turn the bolt 31 to 36 more degrees.

- : N · m (kg-m, ft-lb)
- : N · m (kg-m, in-lb)
- : Always replace after every disassembly.
- : Select with proper thickness.
- : Apply multi-purpose grease.
- : Apply gear oil.
- : Apply Genuine Silicone RTV or equivalent. Refer to G1 section.
- : Apply Genuine High Strength Thread Locking Sealant or equivalent. Refer to G1 section.

A
B
C
RFD
E
F
G
H
I
J
K
L
M

REAR FINAL DRIVE ASSEMBLY

[C200]

-
- | | | |
|------------------------------------|-------------------------------|------------------------------|
| 1. Axle housing | 2. Drive pinion lock nut | 3. Companion flange |
| 4. Front oil seal | 5. Drive pinion front bearing | 6. Drain plug |
| 7. Collapsible spacer | 8. Side bearing cap | 9. Drive pinion rear bearing |
| 10. Pinion height adjusting washer | 11. Drive pinion | 12. Drive gear |
| 13. Differential case | 14. Carrier cover | 15. Filler plug |
| 16. Pinion mate shaft | 17. Lock pin | 18. Side bearing |
| 19. Side bearing adjusting washer | 20. Side gear thrust washer | 21. Side gear |
| 22. Pinion mate gear | 23. Pinion mate thrust washer | 24. Gasket |
| 25. Breather | | |

ASSEMBLY INSPECTION AND ADJUSTMENT

- Before inspection and adjustment, drain gear oil.

Total Preload Torque

1. Rotate drive pinion back and forth 2 to 3 times to check for unusual noise and rotation malfunction.
2. Rotate drive pinion at least 20 times to check for smooth operation of the bearing.
3. Measure total preload using Tool.

Tool number : ST3127S000 (J-25765-A)

Total preload torque (With oil seal):

1.4 - 2.9 N·m (0.15 - 0.29 kg·m, 13 - 25 in·lb)

NOTE:

Total preload torque = Pinion bearing torque + Side bearing torque

- If measured value is out of the specification, disassemble it to check and adjust each part. Adjust the pinion bearing preload and side bearing preload.

Adjust the pinion bearing preload first, then adjust the side bearing preload.

When the preload torque is greater than specification

On pinion bearings: Replace the collapsible spacer.

On side bearings: Use thinner side bearing adjusting washers by the same amount to each side. Refer to [RFD-36, "Side Bearing Adjusting Washer"](#) .

When the preload torque is less than specification

On pinion bearings: Tighten the drive pinion nut.

On side bearings: Use thicker side bearing adjusting washers by the same amount to each side. Refer to [RFD-36, "Side Bearing Adjusting Washer"](#) .

Drive Gear Runout

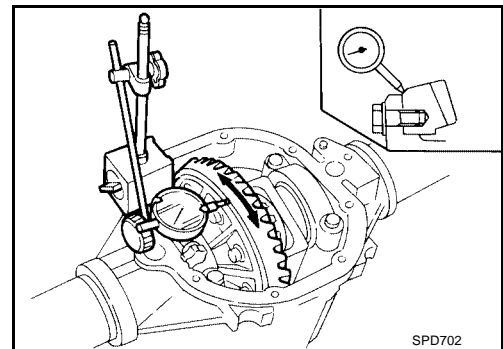
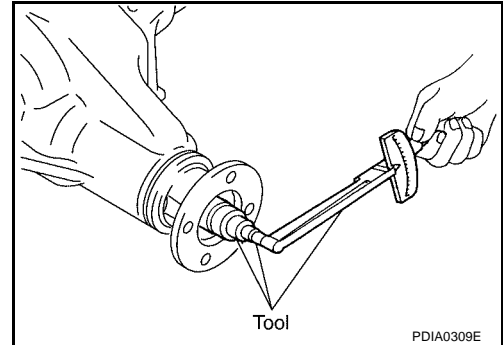
1. Remove carrier cover. Refer to [RFD-21, "Differential Assembly"](#) .
2. Fit a dial indicator to the drive gear back face.
3. Rotate the drive gear to measure runout.

Runout limit: 0.08 mm (0.0031 in) or less

- If the runout is outside of the repair limit, check drive gear assembly condition; foreign material may be caught between drive gear and differential case, or differential case or drive gear may be deformed.

CAUTION:

Replace drive gear and drive pinion gear as a set.

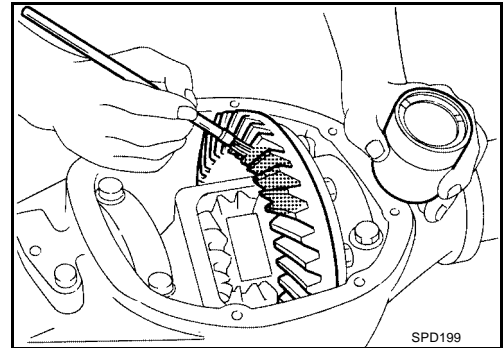


Tooth Contact

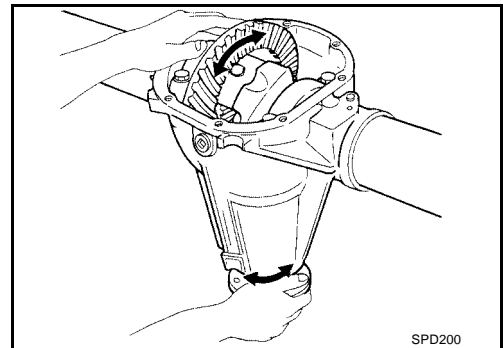
1. Remove carrier cover. Refer to [RFD-21, "Differential Assembly"](#).
2. Apply red lead to drive gear.

CAUTION:

Apply red lead to both the faces of 3 to 4 gears at 4 locations evenly spaced on drive gear.



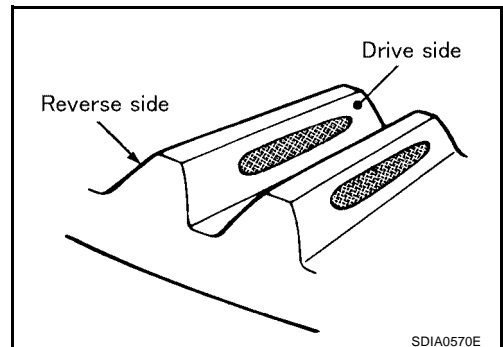
3. Hold companion flange steady and rotate the drive gear in both directions.



4. Check drive pinion gear to drive gear tooth contact.

CAUTION:

Check tooth contact on drive side and reverse side.



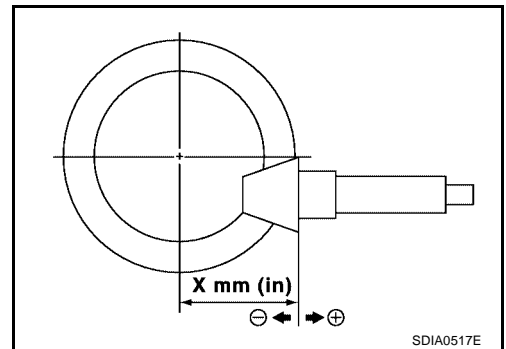
REAR FINAL DRIVE ASSEMBLY

[C200]

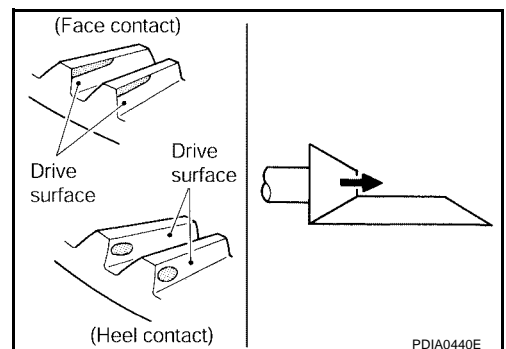
Tooth contact condition		Pinion height adjusting washer selection valve [mm (in)]	Adjustment (Yes/No)	Possible cause
Drive side	Back side			
Heel side Toe side	Toe side Heel side	↑ Thicker	Yes	Occurrence of noise and scoring sound in all speed ranges.
		↓ Thinner	No	-
		↓ Thinner	Yes	Occurrence of noise at constant speed and decreasing speed.
				Occurrence of noise and scoring sound in all speed ranges.

SDIA0207E

5. If tooth contact is improperly adjusted, follow the procedure below to adjust the pinion height (dimension X).



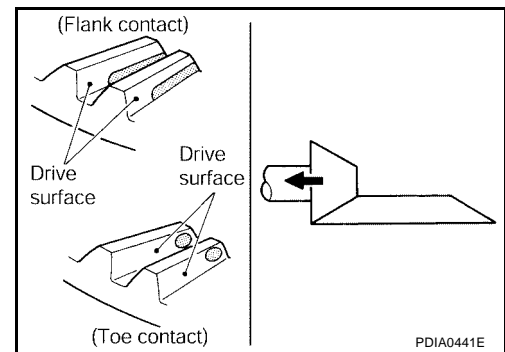
- If the tooth contact is near the face (face contact), or near the heel (heel contact), thicken pinion height adjusting washers to move drive pinion closer to drive gear. Refer to [RFD-36, "Pinion Height Adjusting Washer"](#).



REAR FINAL DRIVE ASSEMBLY

[C200]

- If the tooth contact is near the flank (flank contact), or near the toe (toe contact), thin pinion height adjusting washers to move drive pinion farther from drive gear.
Refer to [RFD-36, "Pinion Height Adjusting Washer"](#) .



Backlash

1. Remove carrier cover. Refer to [RFD-21, "Differential Assembly"](#) .
2. Fit a dial indicator to the drive gear face to measure the backlash.

Backlash: **0.10 - 0.15 mm (0.0039 - 0.0059 in)**

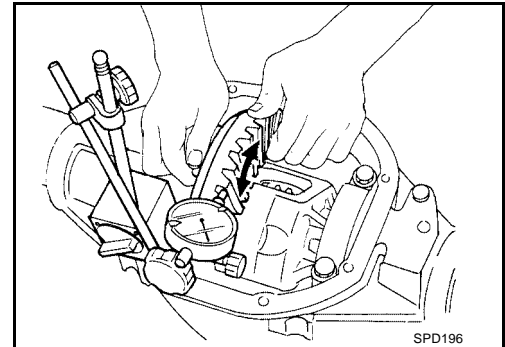
- If the backlash is outside of the specified value, change the thickness of side bearing adjusting washer.

When the backlash is large:

Make drive gear back side adjusting washer thicker, and drive gear tooth side adjusting washer thinner by the same amount. Refer to [RFD-36, "Side Bearing Adjusting Washer"](#) .

When the backlash is small:

Make drive gear back side adjusting washer thinner, and drive gear tooth side adjusting washer thicker by the same amount. Refer to [RFD-36, "Side Bearing Adjusting Washer"](#) .



CAUTION:

Do not change the total amount of washers as it will change the bearing preload.

Companion Flange Runout

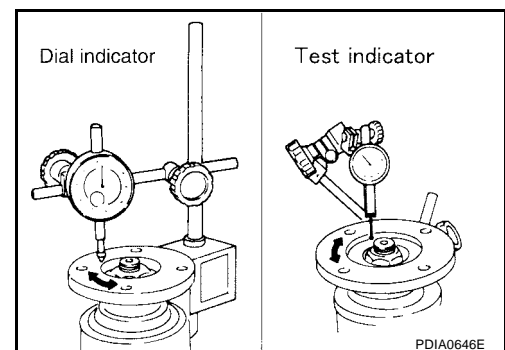
1. Fit a dial indicator onto the companion flange face (inner side of the propeller shaft bolt holes).
2. Rotate companion flange to check for runout.

Runout limit: **0.08 mm (0.0031 in) or less**

3. Fit a test indicator to the inner side of companion flange (socket diameter).
4. Rotate companion flange to check for runout.

Runout limit: **0.08 mm (0.0031 in) or less**

5. If the runout value is outside the runout limit, follow the procedure below to adjust.
 - a. Check for runout while changing the phase between companion flange and drive pinion by 90° step, and search for the position where the runout is the minimum.
 - b. If the runout value is still outside of the limit after the phase has been changed, replace companion flange.
 - c. If the runout value is still outside of the limit after companion flange has been replaced, possible cause will be an assembly malfunction of drive pinion and pinion bearing, malfunctioning pinion bearing.



DISASSEMBLY

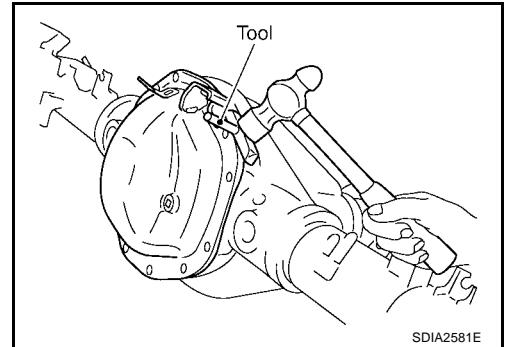
Differential Assembly

1. Drain gear oil, if necessary.
2. Remove carrier cover bolts.
3. Separate the carrier cover from the axle housing using Tool.

Tool number : KV10111100 (J-37228)

CAUTION:

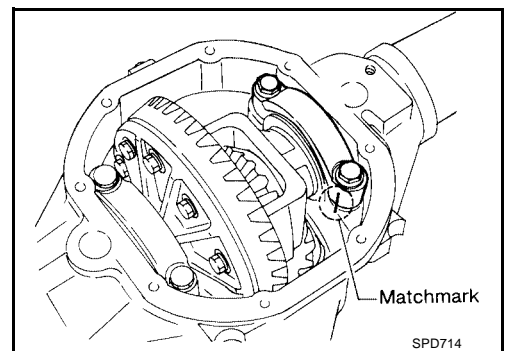
- Do not damage the mating surface.
- Do not insert flat-bladed screwdriver, this will damage the mating surface.



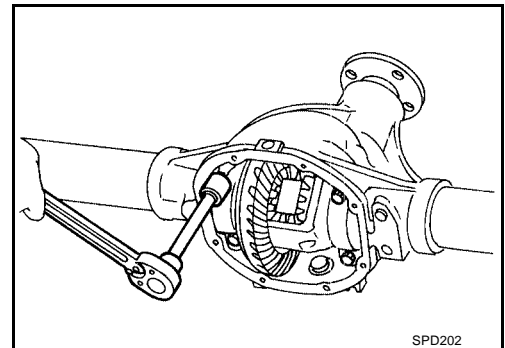
4. For proper reinstallation, paint matching marks on one side of the side bearing cap.

CAUTION:

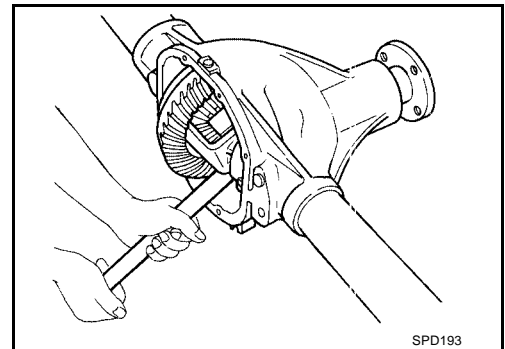
- For matching mark, use paint. Do not damage side bearing caps and axle housing.
- Side bearing caps are line-board during manufacture. The matching marks are used to reinstall them in their original positions.



5. Remove side bearing caps.



6. Remove differential case assembly with using suitable tool.

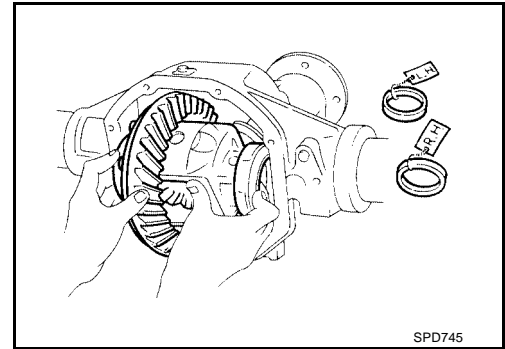


A
B
C
RFD
E
F
G
H
I
J
K
L
M

REAR FINAL DRIVE ASSEMBLY

[C200]

- Keep side bearing outer races together with inner race. Do not mix them up. Also, keep side bearing adjusting washers together with bearings.



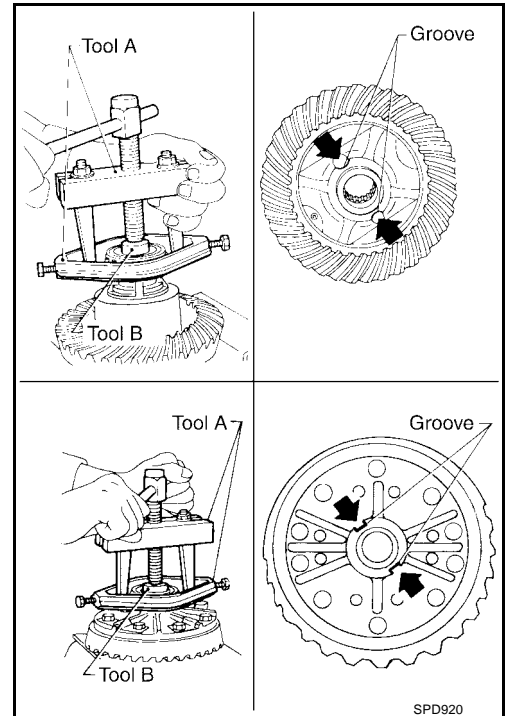
SPD745

7. Remove side bearing inner race using Tools.

Tool number **A: ST33051001 (J-22888-20)**
 B: ST33061000 (J-8107-2)

CAUTION:

- Engage puller jaws in groove to prevent damage.
- To prevent damage to the side bearing and drive gear, place copper plates between these parts and vise.
- It is not necessary to remove side bearing inner race except if it is replaced.



SPD920

8. For proper reinstallation, paint matching mark on one differential case assembly.

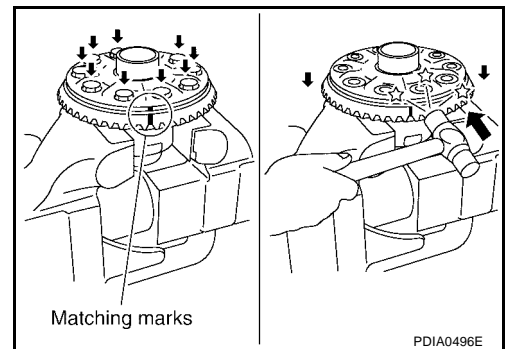
CAUTION:

For matching mark, use paint. Do not damage differential case and drive gear.

9. Remove drive gear bolts.
10. Tap drive gear off differential case assembly.

CAUTION:

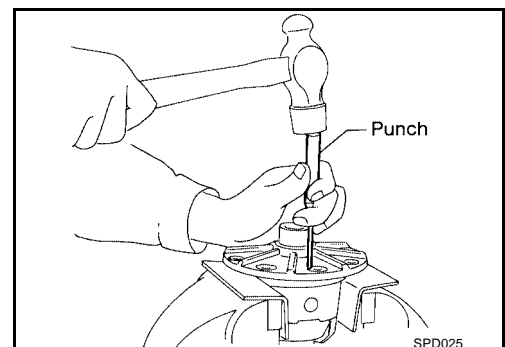
Tap evenly all around to keep drive gear from bending.



Matching marks

PDIA0496E

11. Remove lock pin of pinion mate shaft with punch from drive gear side.

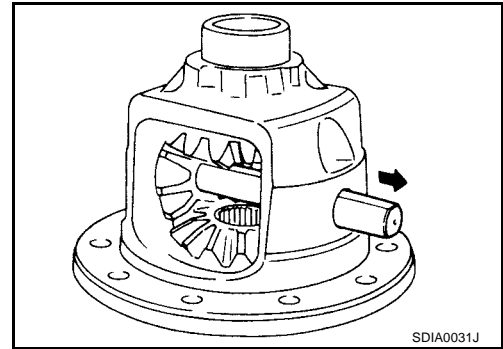


SPD025

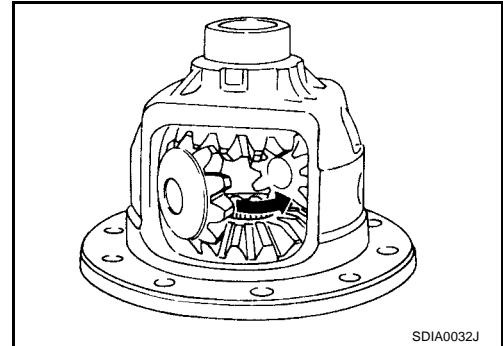
REAR FINAL DRIVE ASSEMBLY

[C200]

12. Remove pinion mate shaft.



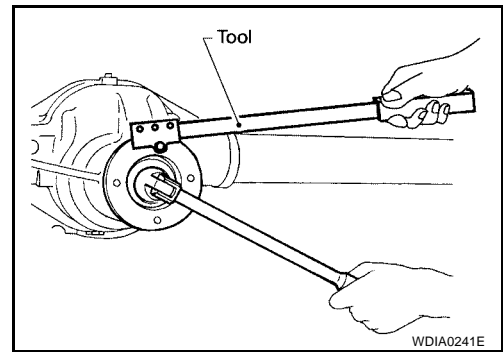
13. Turn pinion mate gear, then remove pinion mate gear, pinion mate thrust washer, side gear and side gear thrust washer from differential case.



Drive Pinion Assembly

1. Remove differential assembly. Refer to [RFD-21, "Differential Assembly"](#).
2. Remove drive pinion lock nut using Tool.

Tool number : KV38108300 (J-44195)



3. Put matching mark on the end of drive pinion. The matching mark should be in line with the matching mark A on companion flange.

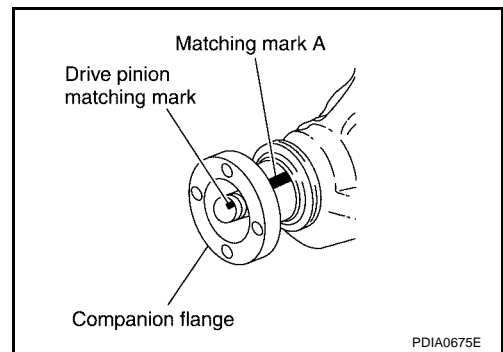
CAUTION:

For matching mark, use paint. Do not damage companion flange and drive pinion.

NOTE:

The matching mark A on the final drive companion flange indicates the maximum vertical runout position.

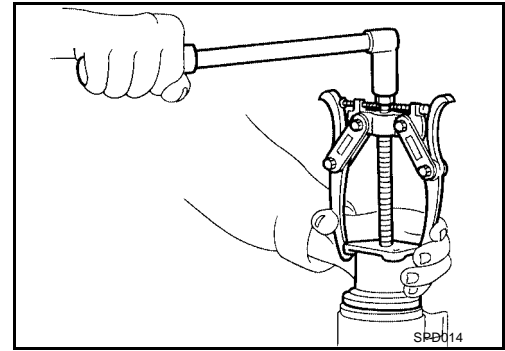
When replacing companion flange, matching mark is not necessary.



REAR FINAL DRIVE ASSEMBLY

[C200]

4. Remove companion flange using suitable Tool.



5. Remove drive pinion assembly from axle housing using suitable tool.

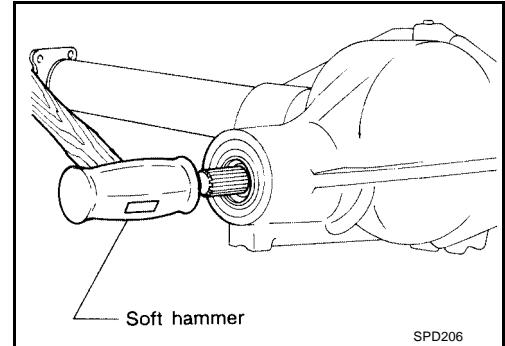
CAUTION:

Do not drop drive pinion assembly.

6. Remove front oil seal.

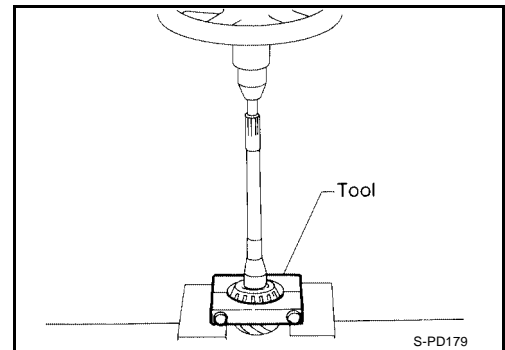
7. Remove drive pinion front bearing inner race.

8. Remove collapsible spacer.



9. Remove drive pinion rear bearing inner race and drive pinion height adjusting washer using Tool.

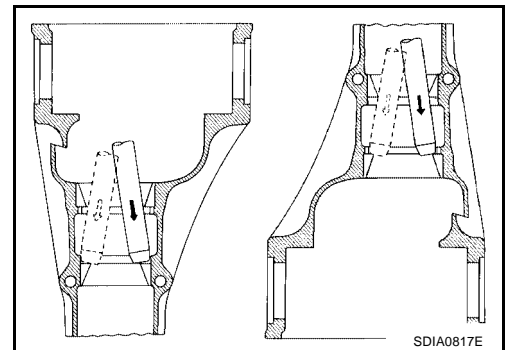
Tool number : ST30031000 (J-22912-01)



10. Tap drive pinion front/rear bearing outer races uniformly a brass rod or equivalent.

CAUTION:

Do not damage axle housing.



INSPECTION AFTER DISASSEMBLY

Clean up the disassembled parts. Then, inspect if the parts are worn or damaged. If so, follow the measures below.

Content	Conditions and Measures
Hypoid gear	<ul style="list-style-type: none"> ● If the gear teeth do not mesh or line-up correctly, determine the cause and adjust or replace as necessary. ● If the gears are worn, cracked, damaged, pitted or chipped (by friction) noticeably, replace with new drive gear and drive pinion as a set.
Bearing	<ul style="list-style-type: none"> ● If any chipped (by friction), pitted, worn, rusted or scratched mark, or unusual noise from the bearing is observed, replace as a bearing assembly (as a new set).

REAR FINAL DRIVE ASSEMBLY

[C200]

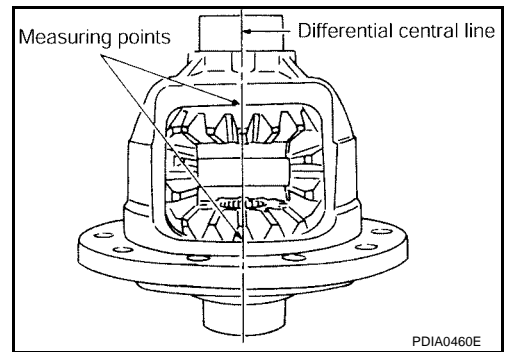
Content	Conditions and Measures
Side gear and Pinion mate gear	<ul style="list-style-type: none"> ● If any cracks or damage on the surface of the tooth is found, replace. ● If any worn or chipped mark on the contact sides of the thrust washer is found, replace.
Side gear thrust washer and pinion mate thrust washer	<ul style="list-style-type: none"> ● If it is chipped (by friction), damaged, or unusually worn, replace.
Oil seal	<ul style="list-style-type: none"> ● Whenever disassembled, replace. ● If wear, deterioration of adherence (sealing force lips), or damage is detected on the lips, replace them.
Differential case	<ul style="list-style-type: none"> ● If any wear or crack on the contact sides of the differential case is found, replace.
Companion flange	<ul style="list-style-type: none"> ● If any chipped mark (about 0.1 mm, 0.004 in) or other damage on the contact sides of the lips of the companion flange is found, replace.

A
B
C
RFD

ADJUSTMENT AND SELECTION ADJUSTING WASHERS

Differential Side Gear Clearance

- Assemble the differential parts if they are disassembled. Refer to [RFD-32, "Differential Assembly"](#).
1. Place differential case straight up so that side gear to be measured comes upward.



2. Using feeler gauge, measure the clearance between side gear back and differential case at 3 different points, while rotating side gear. Average the 3 readings, and then measure the clearance. (Measure the clearance of the other side as well.)

Side gear back clearance specification:

0.1 - 0.2 mm (0.004 - 0.008 in) or less.

(Each gear should rotate smoothly without excessive resistance during differential motion.)

CAUTION:

To prevent side gear from tilting, insert feeler gauges with the same thickness from both sides.

3. If the back clearance is outside the specification, use a thicker/thinner side gear thrust washer to adjust. Refer to [RFD-36, "Side Gear Thrust Washer"](#).

When the back clearance is large:

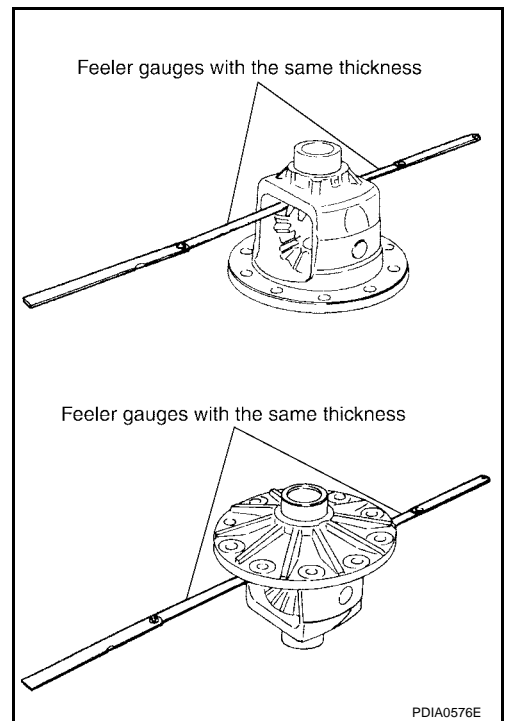
Use a thicker thrust washer.

When the back clearance is small:

Use a thinner thrust washer.

CAUTION:

Select a side gear thrust washer for right and left individually.



E
F
G
H
I
J
K
L
M

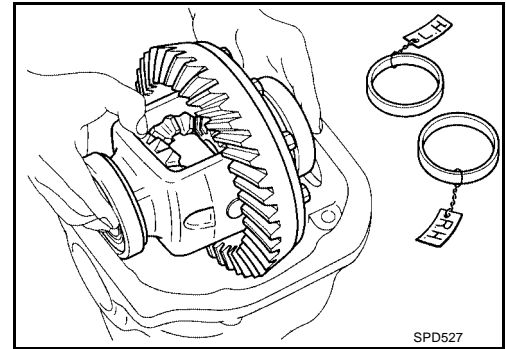
Side Bearing Preload

- A selection of carrier side bearing adjusting washers is required for successful completion of this procedure.

REAR FINAL DRIVE ASSEMBLY

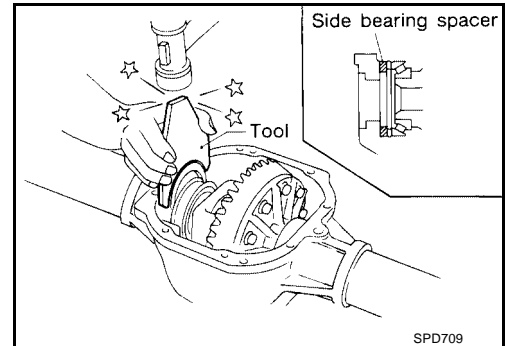
[C200]

1. Make sure all parts are clean. Also, make sure the bearings are well lubricated with gear oil.
2. Place the differential case, with side bearings and bearing races installed, into axle housing.

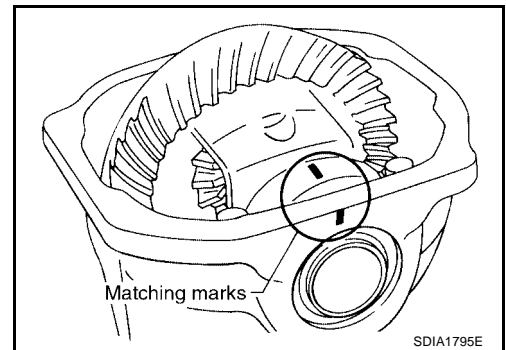


3. Insert left and right original side bearing adjusting washers in place between side bearings and axle housing using Tool.

Tool number : KV38100600 (J-25267)



4. Install side bearing caps in their correct locations and tighten side bearing cap bolts to the specified torque. Refer to [RFD-15, "COMPONENTS"](#).
5. Turn the carrier several times to seat the bearings.

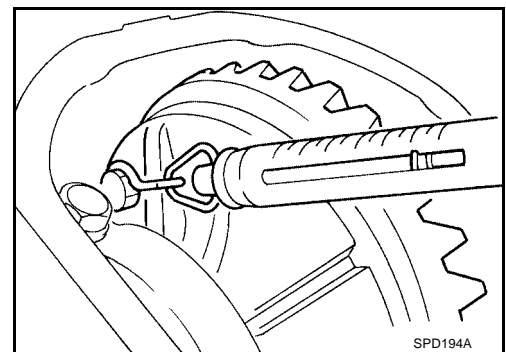


6. Measure the turning torque of the carrier at the drive gear bolts using Tool.

Tool number : — (J-8129)

Specification:

34.3 - 39.2 N (3.5 - 4.0 kg, 7.7 - 8.8 lb) of pulling force at the drive gear bolt



7. If the turning torque is outside the specification, use a thicker/thinner side bearing adjusting washer to adjust. Refer to [RFD-36, "Side Bearing Adjusting Washer"](#).

If the turning torque is less than the specification:

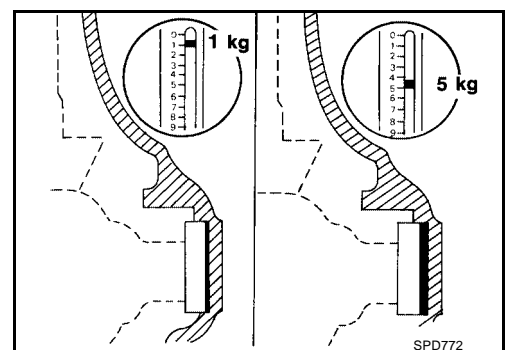
Use a thicker thrust washer.

If the turning torque is greater than the specification:

Use a thinner thrust washer.

CAUTION:

Select a side bearing adjusting washer for right and left individually.



REAR FINAL DRIVE ASSEMBLY

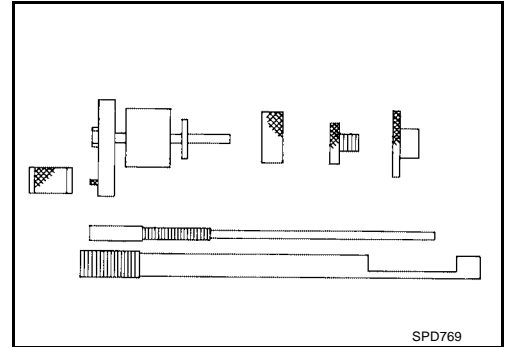
[C200]

- Record the total amount of washer thickness required for the correct carrier side bearing preload.

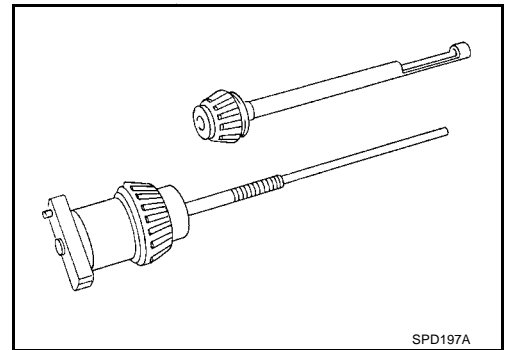
Pinion Gear Height

- Make sure all parts are clean and that the bearings are well lubricated.
- Assemble the pinion gear bearings into the Tool.

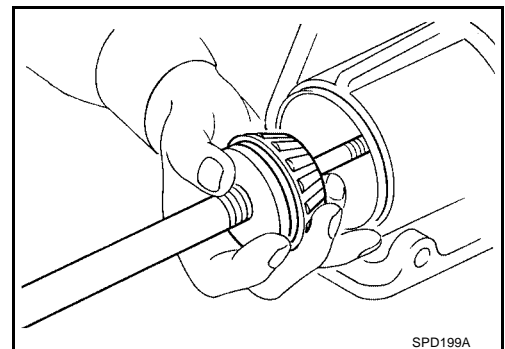
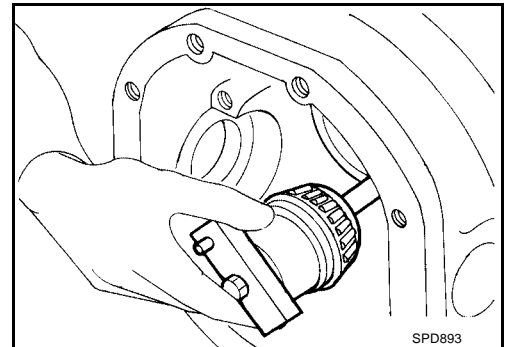
Tool number : — **(J-34309)**



- Drive pinion front bearing;** make sure the J-34309-3 pinion front bearing seat is secured tightly against the J-34309-2 gauge anvil. Then turn the pinion front bearing pilot, J-34309-5, to secure the bearing in its proper position.
 - Drive pinion rear bearing;** the pinion rear bearing pilot, J-34309-8, is used to center the drive pinion rear bearing only. The pinion rear bearing locking seat, J-34309-4, is used to lock the bearing to the assembly.
 - Installation of J-34309-9 and J-34309-16;** place a suitable 2.5 mm (0.098 in) thick plain washer between J-34309-9 and J-34309-16. Both surfaces of J-34309-9 and J-34309-16 must be parallel with a clearance of 2.5 mm (0.098 in).
- Install the drive pinion rear bearing inner race into axle housing. Then place the pinion preload shim selector tool, J-34309-1, gauge screw assembly.



- Assemble the drive pinion front bearing inner race and the J-34309-2 gauge anvil. Assemble them together with the J-34309-1 gauge screw in axle housing. Make sure that the pinion height gauge plate, J-34309-16, will turn a full 360°. Tighten the two sections together by hand.

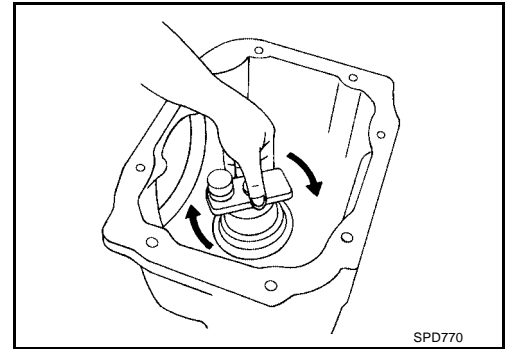


A
B
C
RFD
E
F
G
H
I
J
K
L
M

REAR FINAL DRIVE ASSEMBLY

[C200]

5. Turn the assembly several times to seat the bearings.

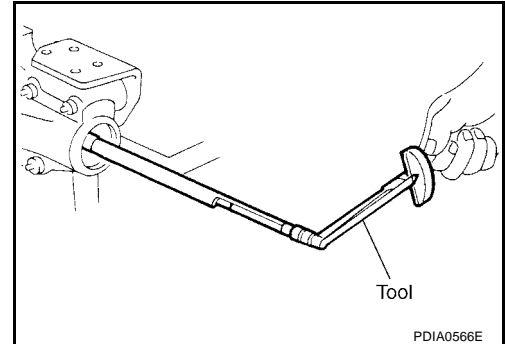


6. Measure the turning torque at the end of the J-34309-2 gauge anvil using Tool.

Tool number : ST3127S000 (J-25765- A)

Turning torque specification:

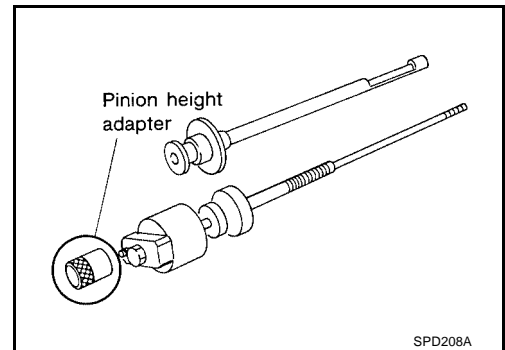
1.0 - 1.3 N-m (0.11 - 0.13 kg-m, 9 - 11 in-lb)



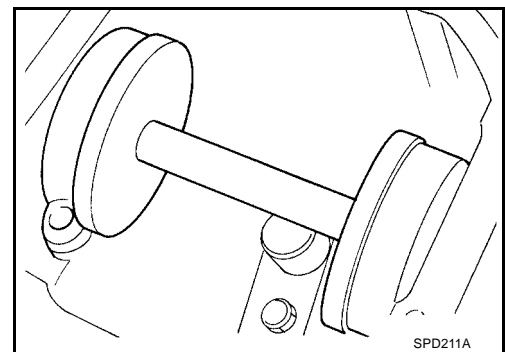
7. Place the J-34309-11 pinion height adapter onto the gauge plate and tighten it by hand.

CAUTION:

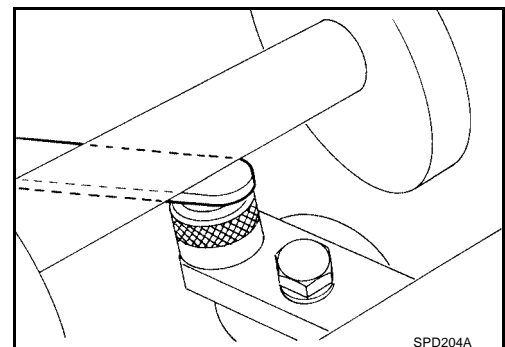
Make sure all machined surfaces are clean.



8. Position the side bearing discs, J-25269-4, and arbor firmly into the side bearing bores. Install the bearing caps and tighten bearing cap bolts to the specified torque. Refer to [RFD-15, "COMPONENTS"](#).



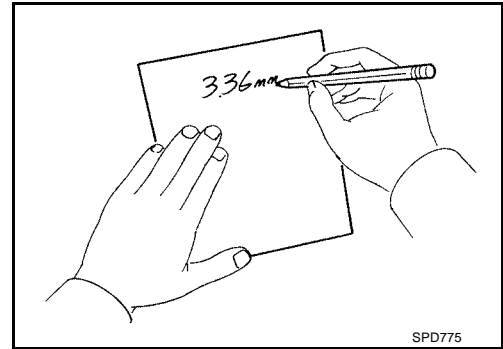
9. Select the correct standard pinion height adjusting washer thickness. Select by using a standard gauge of 3 mm (0.12 in) and your J-34309-101 feeler gauge. Measure the distance between the J-34309-11 pinion height adapter including the standard gauge and the arbor.



REAR FINAL DRIVE ASSEMBLY

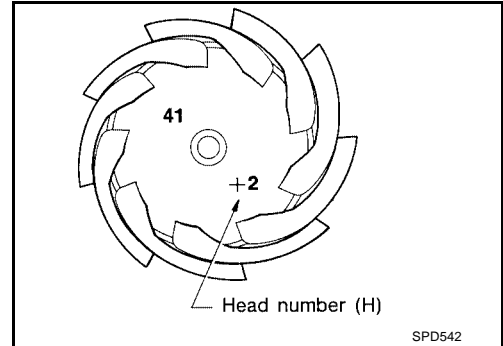
[C200]

10. Write down exact measurement (the value of feeler gauge).



11. Correct the pinion height washer size by referring to the “pinion head number”.

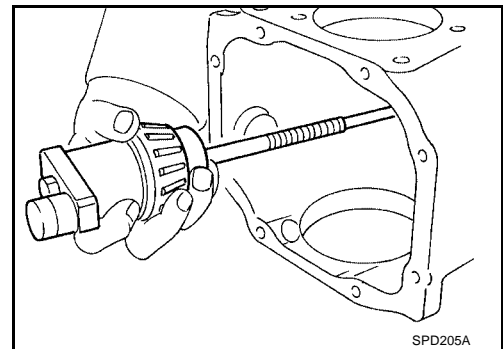
There are two numbers painted on the drive pinion. The first one refers to the drive pinion and drive gear as a matched set. This number should be the same as the number on the drive gear. The second number is the “pinion head height number”. It refers to the ideal pinion height from standard for quietest operation. Use the following chart to determine the correct pinion height washer.



Pinion head height number	Add or remove from the standard pinion height adjusting washer thickness measurement
- 6	Add 0.06 mm (0.0024 in)
- 5	Add 0.05 mm (0.0020 in)
- 4	Add 0.04 mm (0.0016 in)
- 3	Add 0.03 mm (0.0012 in)
- 2	Add 0.02 mm (0.0008 in)
- 1	Add 0.01 mm (0.0004 in)
0	Use the selected washer thickness
+1	Subtract 0.01 mm (0.0004 in)
+2	Subtract 0.02 mm (0.0008 in)
+3	Subtract 0.03 mm (0.0012 in)
+4	Subtract 0.04 mm (0.0016 in)
+5	Subtract 0.05 mm (0.0020 in)
+6	Subtract 0.06 mm (0.0024 in)

12. Select the correct pinion height adjusting washer. Refer to [RFD-36, "Pinion Height Adjusting Washer"](#) .

13. Remove the J-34309 differential shim selector tool from the final drive housing. Then disassemble to retrieve the pinion bearings.



ASSEMBLY

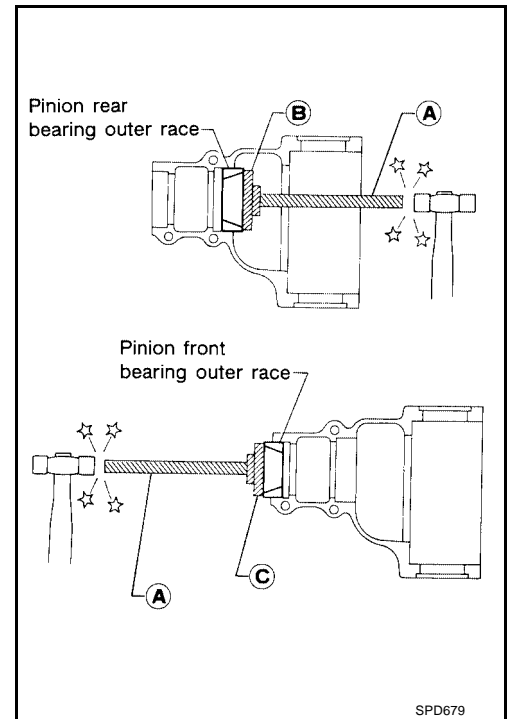
Drive Pinion Assembly

1. Install front and rear bearing outer races using Tools.

Tool number **A: ST30611000 (J-25742-1)**
 B: ST30621000 (J-25742-5)
 C: ST30613000 (J-25742-3)

CAUTION:

- Tap bearing outer race until it becomes flat to axle housing.
 - Do not reuse drive pinion front and rear bearing outer race.
2. Select drive pinion height adjusting washer. Refer to [RFD-27. "Pinion Gear Height"](#).

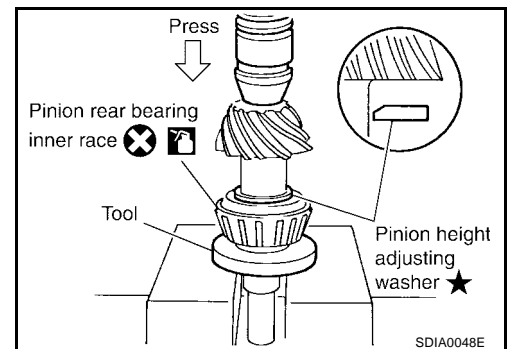


3. Install selected drive pinion height adjusting washer to drive pinion. Press drive pinion rear bearing inner race to it using Tool.

Tool number **: ST30901000 (J-26010-01)**

CAUTION:

- Pay attention to the direction of pinion height adjusting washer. (Assemble as shown in the figure.)
 - Do not reuse drive pinion rear bearing inner race.
4. Assemble collapsible spacer to drive pinion.



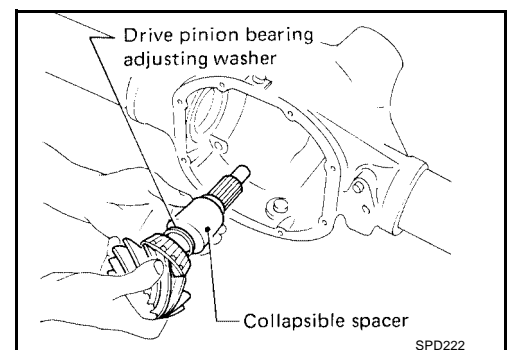
CAUTION:

Do not reuse collapsible spacer.

5. Apply gear oil to drive pinion rear bearing, and assemble drive pinion into axle housing.
6. Apply gear oil to drive pinion front bearing, and assemble drive pinion front bearing inner race to drive pinion assembly.

CAUTION:

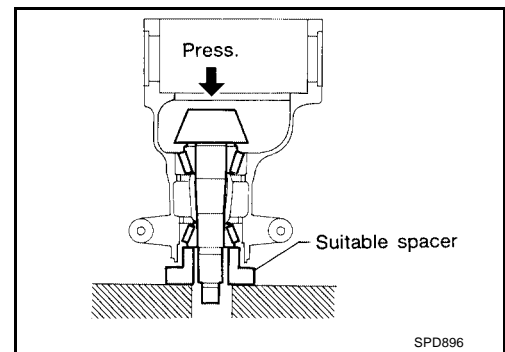
Do not reuse drive pinion front bearing inner race.



REAR FINAL DRIVE ASSEMBLY

[C200]

7. Press the pinion front bearing inner race onto drive pinon using suitable tool. Press the pinion front bearing inner race as far as the pinion nut can be tightened.

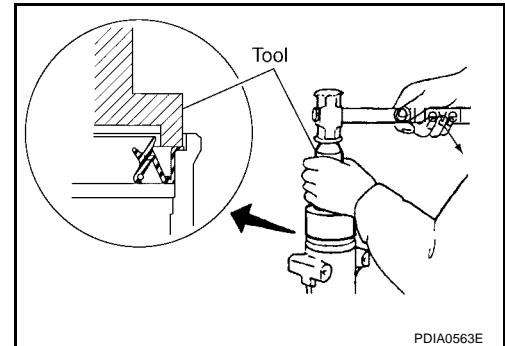


8. Install front oil seal as shown using Tool.

Tool number : KV38100500 (J-25273)

CAUTION:

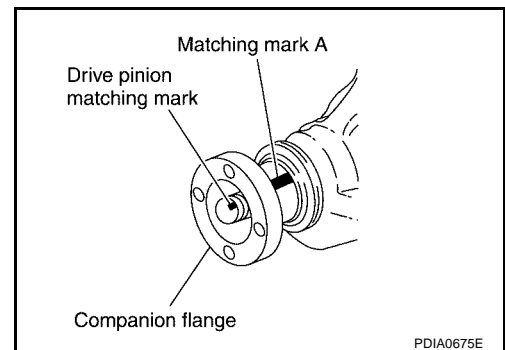
- Do not reuse oil seal.
- When installing, do not incline oil seal.
- Apply multi-purpose grease onto oil seal lips, and gear oil onto the circumference of oil seal.



9. Install companion flange.

NOTE:

When reusing drive pinion, align the matching mark of drive pinion with the matching mark A of companion flange, then install companion flange.



10. Apply gear oil to the thread and seat of drive pinion lock nut, and temporarily tighten drive pinion lock nut to drive pinion.

CAUTION:

Do not reuse drive pinion lock nut.

11. Adjust the drive pinion lock nut tightening torque and pinion bearing preload torque using Tools.

Tool number A: KV38108300 (J-44195)

B: ST3127S000 (J-25765-A)

Drive pinion lock nut tightening torque:

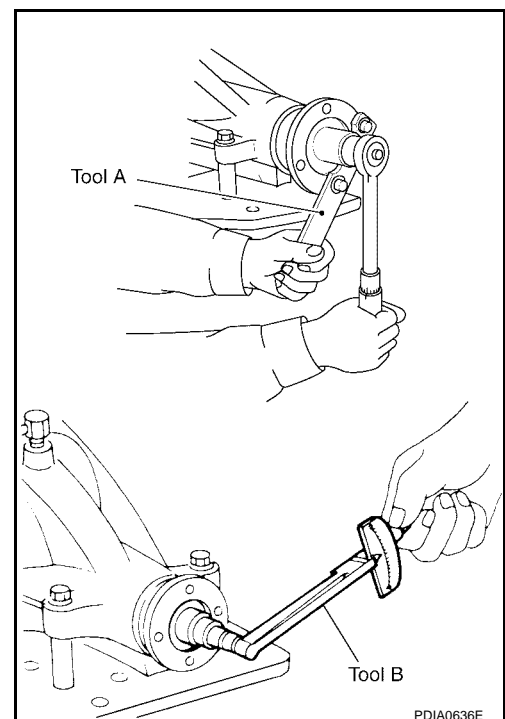
147 - 323 N·m (15 - 32 kg·m, 109 - 238 ft·lb)

Drive pinion bearing preload:

1.1 - 1.4 N·m (0.12 - 0.14 kg·m, 10 - 12 in·lb)

CAUTION:

- Adjust the lower limit of the drive pinion lock nut tightening torque first.
- If the preload torque exceeds the specified value, replace collapsible spacer and tighten it again to adjust. Do not loosen drive pinion lock nut to adjust the preload torque.



A
B
C
RFD
E
F
G
H
I
J
K
L
M

REAR FINAL DRIVE ASSEMBLY

[C200]

- After adjustment, rotate drive pinion back and forth 2 to 3 times to check for unusual noise, rotation malfunction, and other malfunctions.

12. Install differential case assembly. Refer to [RFD-32, "Differential Assembly"](#) .

CAUTION:

Do not install carrier cover yet.

13. Check and adjust drive gear runout, tooth contact, drive gear to drive pinion backlash, and companion flange runout. Refer to [RFD-17, "Drive Gear Runout"](#) , [RFD-18, "Tooth Contact"](#) , [RFD-20, "Backlash"](#) , [RFD-20, "Companion Flange Runout"](#) .

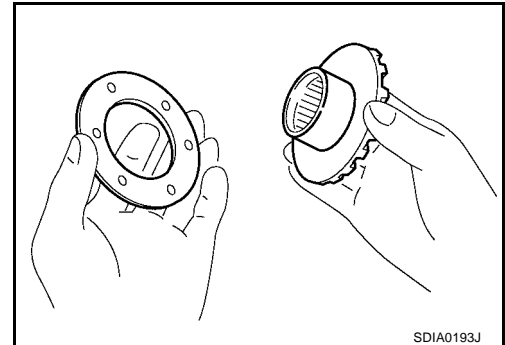
Recheck above items. Readjust the above description, if necessary.

14. Check total preload torque. Refer to [RFD-17, "Total Preload Torque"](#) .

15. Install carrier cover. Refer to [RFD-32, "Differential Assembly"](#) .

Differential Assembly

1. Install side gear thrust washers with the same thickness as the ones installed prior to disassembly or reinstall the old ones on the side gears.

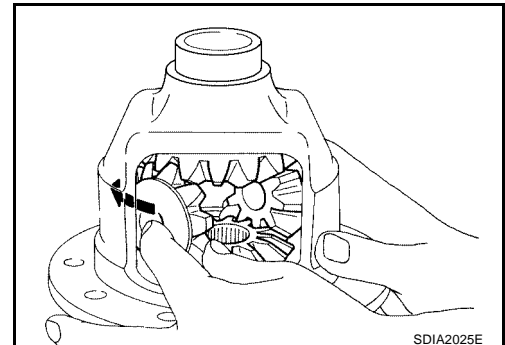


2. Install side gears and thrust washers into differential case.

CAUTION:

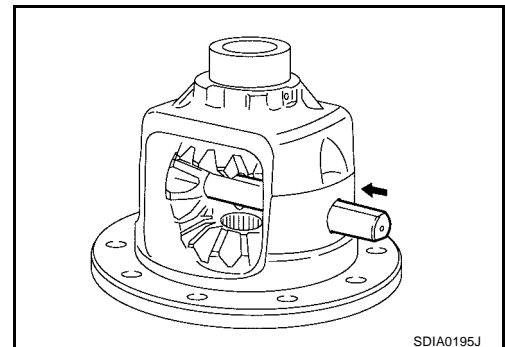
Make sure that the circular clip is installed to side gears.

3. Align 2 pinion mate gears in diagonally opposite positions, then rotate and install them into differential case after installing thrust washer to pinion mate gear.



4. Align the lock pin holes on differential case with shaft, and install pinion mate shaft.

5. Measure side gear end play. If necessary, select the appropriate side gear thrust washers. Refer to [RFD-25, "Differential Side Gear Clearance"](#) .



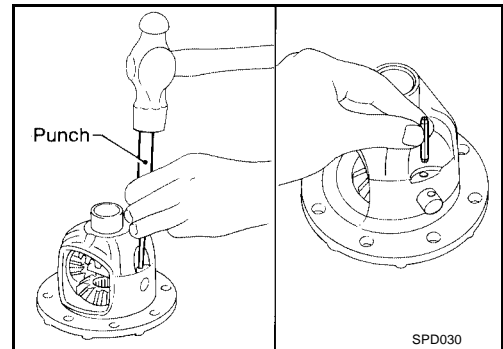
REAR FINAL DRIVE ASSEMBLY

[C200]

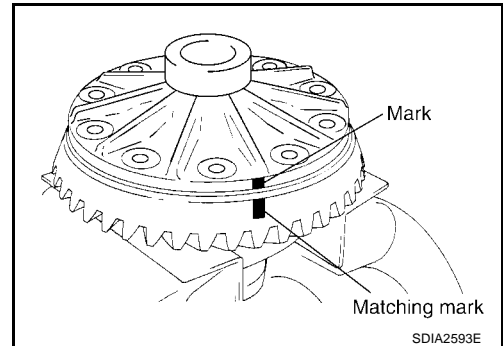
6. Drive a lock pin into pinion mate shaft using suitable tool. Make sure lock pin is flush with differential case.

CAUTION:

Do not reuse lock pin.



7. Align the matching mark of differential case with the mark of drive gear, then place drive gear.

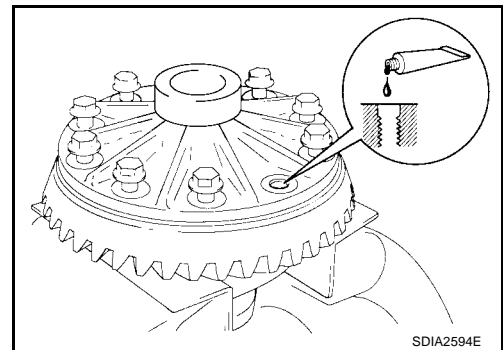


8. Apply thread locking sealant into the thread hole of drive gear.

- Use Genuine High Strength Thread Locking Sealant or equivalent. Refer to [GI-48, "Recommended Chemical Products and Sealants"](#).

CAUTION:

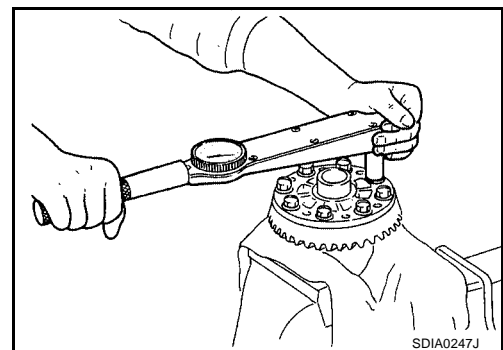
Drive gear back and threaded holes shall be cleaned and decreased sufficiently.



9. Install drive gear on the bolts, and then tighten to the specified torque. Refer to [RFD-15, "COMPONENTS"](#).

CAUTION:

- Tighten bolts in a crisscross fashion.
- After tightening the bolt to the specified torque, turn the bolt 31 to 36 more degrees.



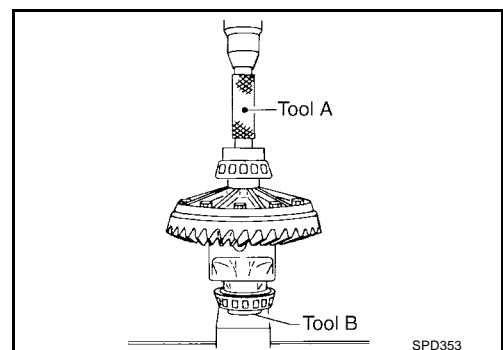
10. Press side bearing inner races to differential case using Tools.

Tool number **A: ST33230000 (J-25805-01)**

B: ST33061000 (J-8107-2)

CAUTION:

Do not reuse side bearing inner race.

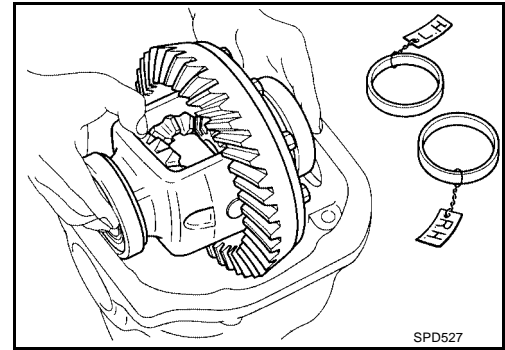


A
B
C
RFD
E
F
G
H
I
J
K
L
M

REAR FINAL DRIVE ASSEMBLY

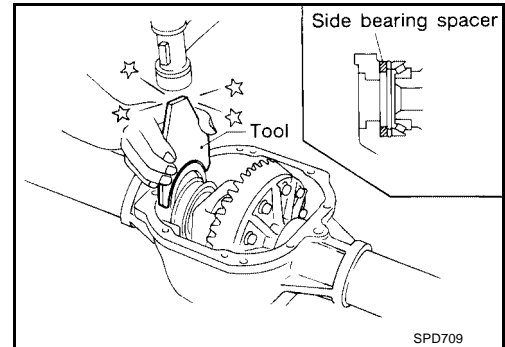
[C200]

11. Install differential case assembly with side bearing outer races into axle housing.
12. Measure side bearing preload. If necessary, select the appropriate side bearing adjusting washers. Refer to [RFD-25, "Side Bearing Preload"](#).

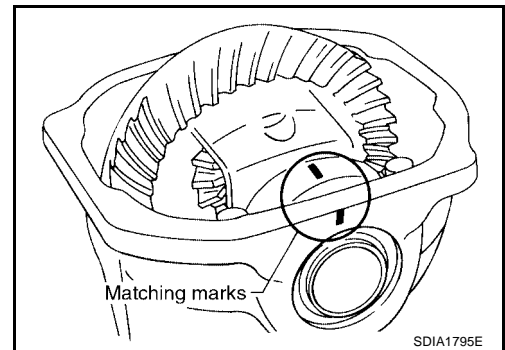


13. Insert selected left and right side bearing adjusting washers in place between side bearings and axle housing using Tool.

Tool number : KV38100600 (J-25267)



14. Align matching mark on side bearing cap with that on axle housing.
15. Install side bearing caps and tighten side bearing cap bolts to the specified torque. Refer to [RFD-15, "COMPONENTS"](#).
16. Check and adjust drive gear runout, tooth contact, drive gear to drive pinion backlash, and total preload torque. Refer to [RFD-17, "Drive Gear Runout"](#), [RFD-18, "Tooth Contact"](#), [RFD-20, "Backlash"](#), [RFD-17, "Total Preload Torque"](#).
Recheck above items. Readjust the above description, if necessary.

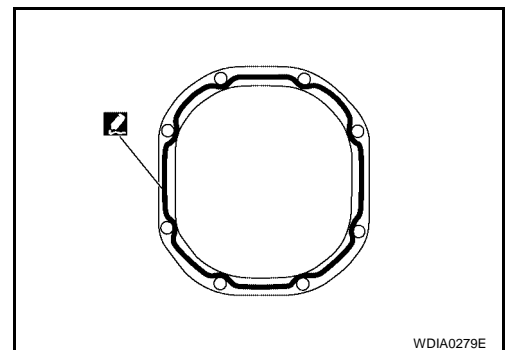


17. Apply sealant to mating surface of carrier cover.
 - Use Genuine Silicone RTV or equivalent. Refer to [GI-48, "Recommended Chemical Products and Sealants"](#).

CAUTION:

Remove old sealant adhering to mating surfaces. Also remove any moisture, oil, or foreign material adhering to application and mating surfaces.

18. Install carrier cover on axle housing and tighten bolts with the specified torque. Refer to [RFD-15, "COMPONENTS"](#).



SERVICE DATA AND SPECIFICATIONS (SDS)

[C200]

SERVICE DATA AND SPECIFICATIONS (SDS)

PFP:00030

General Specifications 2WD MODELS

EDS0026P

Applied model	QR25DE		VQ40DE	
	King cab		King cab	Crew cab
	M/T	A/T	A/T	
Final drive model	C200			
Gear ratio	4.083	3.692	2.937	3.133
Number of teeth (Drive gear/Drive pinion)	49/12	48/13	47/16	47/15
Oil capacity (Approx.) ℓ (US pt, Imp pt)	1.6 (3-3/8, 2-7/8)			
Number of pinion gears	2			
Drive pinion adjustment spacer type	Collapsible			

4WD MODELS

Applied model	VQ40DE	
	King cab	Crew cab
	A/T	
Final drive model	C200	
Gear ratio	3.133	3.357
Number of teeth (Drive gear/Drive pinion)	47/15	47/14
Oil capacity (Approx.) ℓ (US pt, Imp pt)	1.6 (3-3/8, 2-7/8)	
Number of pinion gears	2	
Drive pinion adjustment spacer type	Collapsible	

Inspection and Adjustment DRIVE GEAR RUNOUT

EDS0026Q

Item	Runout limit
Drive gear back face	0.08 (0.0031) or less

Unit: mm (in)

DIFFERENTIAL SIDE GEAR CLEARANCE

Item	Specification
Side gear backlash (Clearance between side gear and differential case)	0.1 - 0.2 (0.004 - 0.008) or less (Each gear should rotate smoothly without excessive resistance during differential motion.)

Unit: mm (in)

PRELOAD TORQUE

Item	Specification
Pinion bearing (P ₁)	1.1 - 1.4 (0.12 - 0.14, 10 - 12)
Side bearing (P ₂)	0.3 - 1.5 (0.03 - 0.15, 3 - 13)
Side bearing to pinion bearing (Total preload) (Total preload = P ₁ + P ₂)	1.4 - 2.9 (0.15 - 0.29, 13 - 25)

Unit: N·m (kg·m, in·lb)

BACKLASH

Item	Specification
Drive gear to drive pinion gear	0.10 - 0.15 (0.0039 - 0.0059)

Unit: mm (in)

SERVICE DATA AND SPECIFICATIONS (SDS)

[C200]

COMPANION FLANGE RUNOUT

Unit: mm (in)

Item	Runout limit
Companion flange face	0.08 (0.0031) or less
Inner side of the companion flange	0.08 (0.0031) or less

SELECTIVE PARTS

Side Gear Thrust Washer

Unit: mm (in)

Thickness	Part number*	Thickness	Part number*
0.75 (0.0295)	38424 EC000	0.87 (0.0343)	38424 EC004
0.78 (0.0307)	38424 EC001	0.90 (0.0350)	38424 EC005
0.81 (0.0319)	38424 EC002	0.93 (0.0366)	38424 EC006
0.84 (0.0331)	38424 EC003		

*: Always check with the Parts Department for the latest parts information.

Pinion Height Adjusting Washer

Unit: mm (in)

Thickness	Part number*	Thickness	Part number*
3.05 (0.1201)	38154 0C000	3.29 (0.1295)	38154 0C008
3.08 (0.1213)	38154 0C001	3.32 (0.1307)	38154 0C009
3.11 (0.1224)	38154 0C002	3.35 (0.1319)	38154 0C010
3.14 (0.1236)	38154 0C003	3.38 (0.1331)	38154 0C011
3.17 (0.1248)	38154 0C004	3.41 (0.1343)	38154 0C012
3.20 (0.1260)	38154 0C005	3.44 (0.1354)	38154 0C013
3.23 (0.1272)	38154 0C006	3.47 (0.1366)	38154 0C014
3.26 (0.1283)	38154 0C007	3.50 (0.1378)	38154 0C015

*: Always check with the Parts Department for the latest parts information.

Side Bearing Adjusting Washer

Unit: mm (in)

Thickness	Part number*	Thickness	Part number*
2.00 (0.0787)	38453 N3100	2.35 (0.0925)	38453 N3107
2.05 (0.0807)	38453 N3101	2.40 (0.0945)	38453 N3108
2.10 (0.0827)	38453 N3102	2.45 (0.0965)	38453 N3109
2.15 (0.0846)	38453 N3103	2.50 (0.0984)	38453 N3110
2.20 (0.0866)	38453 N3104	2.55 (0.1004)	38453 N3111
2.25 (0.0886)	38453 N3105	2.60 (0.1024)	38453 N3112
2.30 (0.0906)	38453 N3106	2.65 (0.1043)	38453 N3113

*: Always check with the Parts Department for the latest parts information.

PRECAUTIONS

[M226 WITHOUT ELECTRONIC LOCKING DIFFEREN-

PRECAUTIONS

PFP:00001

Service Notice or Precautions

EDS0026R

- Check for the correct installation status prior to removal or disassembly. If matching marks are required, be certain they do not interfere with the function of the parts when applied.
- Overhaul should be done in a clean work area, it is preferable to work in dust proof area.
- Before disassembly completely remove sand and mud from the exterior of the unit, preventing them from entering into the unit during disassembly or assembly.
- Check appearance of the disassembled parts for damage, deformation, and unusual wear. Replace them with new ones if necessary.
- Gaskets, seals and O-rings should be replaced any time the unit is disassembled.
- In principle, tighten bolts or nuts gradually in several steps working diagonally from inside to outside. If tightening sequence is specified, observe it.
- Clean and flush the parts sufficiently and blow-dry them.
- Do not damage sliding surfaces and mating surfaces.
- When applying sealant, remove the old sealant from the mating surface; then remove any moisture, oil, and foreign materials from the application and mating surfaces.
- Always use shop paper for cleaning the inside of components.
- Avoid using cotton gloves or shop rags to prevent entering of lint.
- During assembly, observe the specified tightening torque, and apply new differential gear oil, petroleum jelly, or multi-purpose grease as specified.

A

B

C

RFD

E

F

G

H

I

J

K

L

M

PREPARATION

[M226 WITHOUT ELECTRONIC LOCKING DIFFEREN-

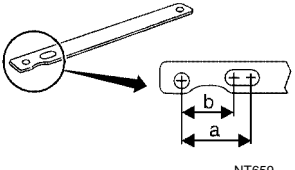
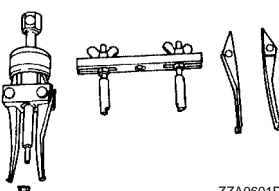
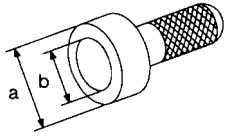
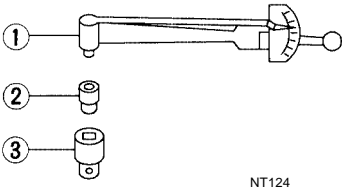
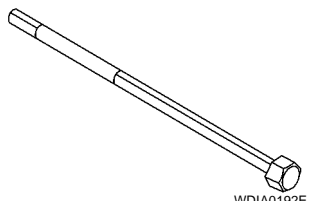
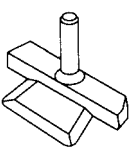
PFP:00002

PREPARATION

Special Service Tools

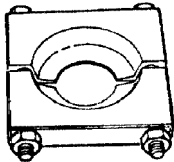
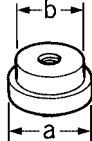

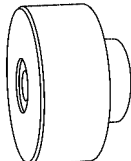
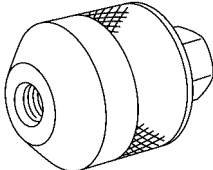

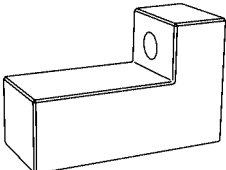
EDS0026S

The actual shapes of Kent-Moore tools may differ from those of special service tools illustrated here.

Tool number (Kent-Moore No.) Tool name	Description
KV40104000 (—) Flange wrench <div style="text-align: center;">  <p>NT659</p> </div>	Removing and installing drive pinion nut a: 85 mm (3.35 in) dia. b: 65 mm (2.56 in) dia.
ST33290001 (J-34286) Puller <div style="text-align: center;">  <p>ZZA0601D</p> </div>	Removing front oil seal
ST15310000 (—) Drift <div style="text-align: center;">  <p>NT115</p> </div>	Installing front oil seal a: 96mm (3.77 in) dia. b: 84 mm (3.30 in) dia.
ST3127S000 (J-25765-A) Preload gauge set 1. GG91030000 (J-25765) Torque wrench 2. HT62940000 (1/2") (—) Socket adapter 3. HT62900000 (3/8") (—) Socket adapter <div style="text-align: center;">  <p>NT124</p> </div>	Inspecting drive pinion bearing preload and total preload
— (C - 4164) Adjuster tool <div style="text-align: center;">  <p>WDIA0192E</p> </div>	Removing and installing side bearing adjuster
KV10111100 (J-37228) Seal cutter <div style="text-align: center;">  <p>S-NT046</p> </div>	Removing carrier cover

PREPARATION

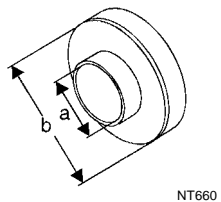
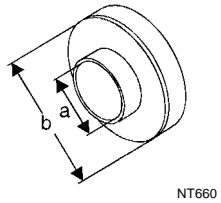
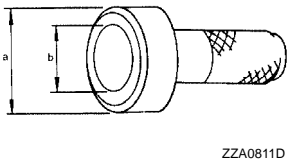
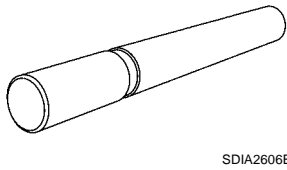
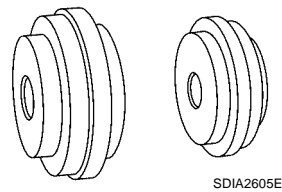
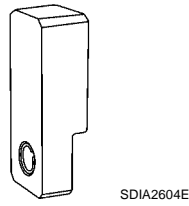
[M226 WITHOUT ELECTRONIC LOCKING DIFFEREN-

Tool number (Kent-Moore No.) Tool name	Description	
ST30021000 (J-22912-01) Puller <div style="text-align: center;">  <p>ZZA0700D</p> </div>	Removing drive pinion rear bearing inner race	A B C
ST33081000 (—) Adapter <div style="text-align: center;">  <p>ZZA1000D</p> </div>	Removing and installing side bearing inner race a: 43 mm (1.69 in) dia. b: 33.5 mm (1.32 in) dia.	RFD E
ST23550000 (—) Pin punch <div style="text-align: center;">  <p>NT410</p> </div>	Removing and installing lock pin a: 4.5 mm (0.177 in) dia.	F G H
— (8144) Pinion block <div style="text-align: center;">  <p>SDIA2599E</p> </div>	Adjusting pinion gear height	I J
— (6740) Cone <div style="text-align: center;">  <p>SDIA2601E</p> </div>	Adjusting pinion gear height	K L
— (6741) Screw <div style="text-align: center;">  <p>SDIA2602E</p> </div>	Adjusting pinion gear height	M
— (6739) Pinion height lock <div style="text-align: center;">  <p>SDIA2603E</p> </div>	Adjusting pinion gear height	

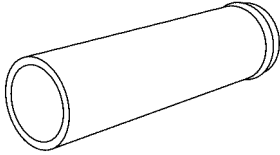
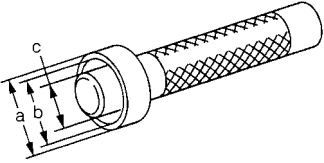
PREPARATION

[M226 WITHOUT ELECTRONIC LOCKING DIFFEREN-

Tool number (Kent-Moore No.) Tool name	Description
— (D-115-2) Scooter block	Adjusting pinion gear height
— (8541A-1) Arbor disc	Adjusting pinion gear height
— (D-115-3) Arbor	Adjusting pinion gear height
ST01500001 (—) Drift	Installing drive pinion rear bearing outer race a: 89mm (3.50 in) dia. b: 79 mm (3.11 in) dia.
ST30022000 (—) Drift	Installing drive pinion rear bearing outer race a: 46 mm (1.81 in) dia. b: 110 mm (4.33 in) dia.
ST33022000 (—) Drift	Installing drive pinion front bearing outer race a: 49 mm (1.92 in) dia. b: 67 mm (2.63 in) dia.

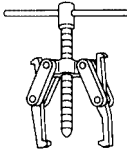
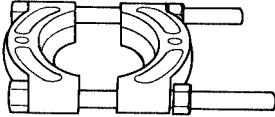
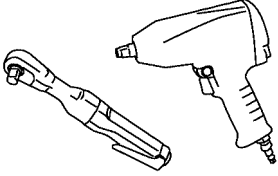


PREPARATION [M226 WITHOUT ELECTRONIC LOCKING DIFFEREN-

Tool number (Kent-Moore No.) Tool name	Description
— (C-4040) Installer <div style="text-align: center;">  <p>SDIA2607E</p> </div>	Installing drive pinion rear bearing inner race
KV38100300 (J-25523) Drift <div style="text-align: center;">  <p>ZZA1046D</p> </div>	Installing side bearing inner race a: 54 mm (2.13 in) dia. b: 46 mm (1.81 in) dia. c: 32mm (1.26 in) dia.

Commercial Service Tools

EDS0026T

Tool name	Description
Puller <div style="text-align: center;">  <p>NT077</p> </div>	Removing companion flange and side bearing inner race
Puller <div style="text-align: center;">  <p>ZZB0823D</p> </div>	Removing side bearing inner race
Power tool <div style="text-align: center;">  <p>PBIC0190E</p> </div>	Loosening bolts and nuts

NOISE, VIBRATION, AND HARSHNESS (NVH) TROUBLESHOOTING

[M226 WITHOUT ELECTRONIC LOCKING DIFFERENTIAL]

NOISE, VIBRATION, AND HARSHNESS (NVH) TROUBLESHOOTING

PF0:00003

NVH Troubleshooting Chart

EDS0026U

Use the chart below to help you find the cause of the symptom. If necessary, repair or replace these parts.

Symptom		Possible cause and SUSPECTED PARTS																									
Reference page	Noise	×	—	—	—	—	—	—	—	—	—	—	—	—	—	—	—	—	—	—	—	—	—				
		×	×	×	×	×	×	×	×	×	×	×	×	×	×	×	×	×	×	×	×	×	×	×			
		×	×	×	×	×	×	×	×	×	×	×	×	×	×	×	×	×	×	×	×	×	×	×	×		
		×	×	×	×	×	×	×	×	×	×	×	×	×	×	×	×	×	×	×	×	×	×	×	×		
		×	×	×	×	×	×	×	×	×	×	×	×	×	×	×	×	×	×	×	×	×	×	×	×		
		×	×	×	×	×	×	×	×	×	×	×	×	×	×	×	×	×	×	×	×	×	×	×	×	×	
		×	×	×	×	×	×	×	×	×	×	×	×	×	×	×	×	×	×	×	×	×	×	×	×	×	
		×	×	×	×	×	×	×	×	×	×	×	×	×	×	×	×	×	×	×	×	×	×	×	×	×	×
		×	×	×	×	×	×	×	×	×	×	×	×	×	×	×	×	×	×	×	×	×	×	×	×	×	×
		×	×	×	×	×	×	×	×	×	×	×	×	×	×	×	×	×	×	×	×	×	×	×	×	×	×
		×	×	×	×	×	×	×	×	×	×	×	×	×	×	×	×	×	×	×	×	×	×	×	×	×	×
		×	×	×	×	×	×	×	×	×	×	×	×	×	×	×	×	×	×	×	×	×	×	×	×	×	×

×: Applicable

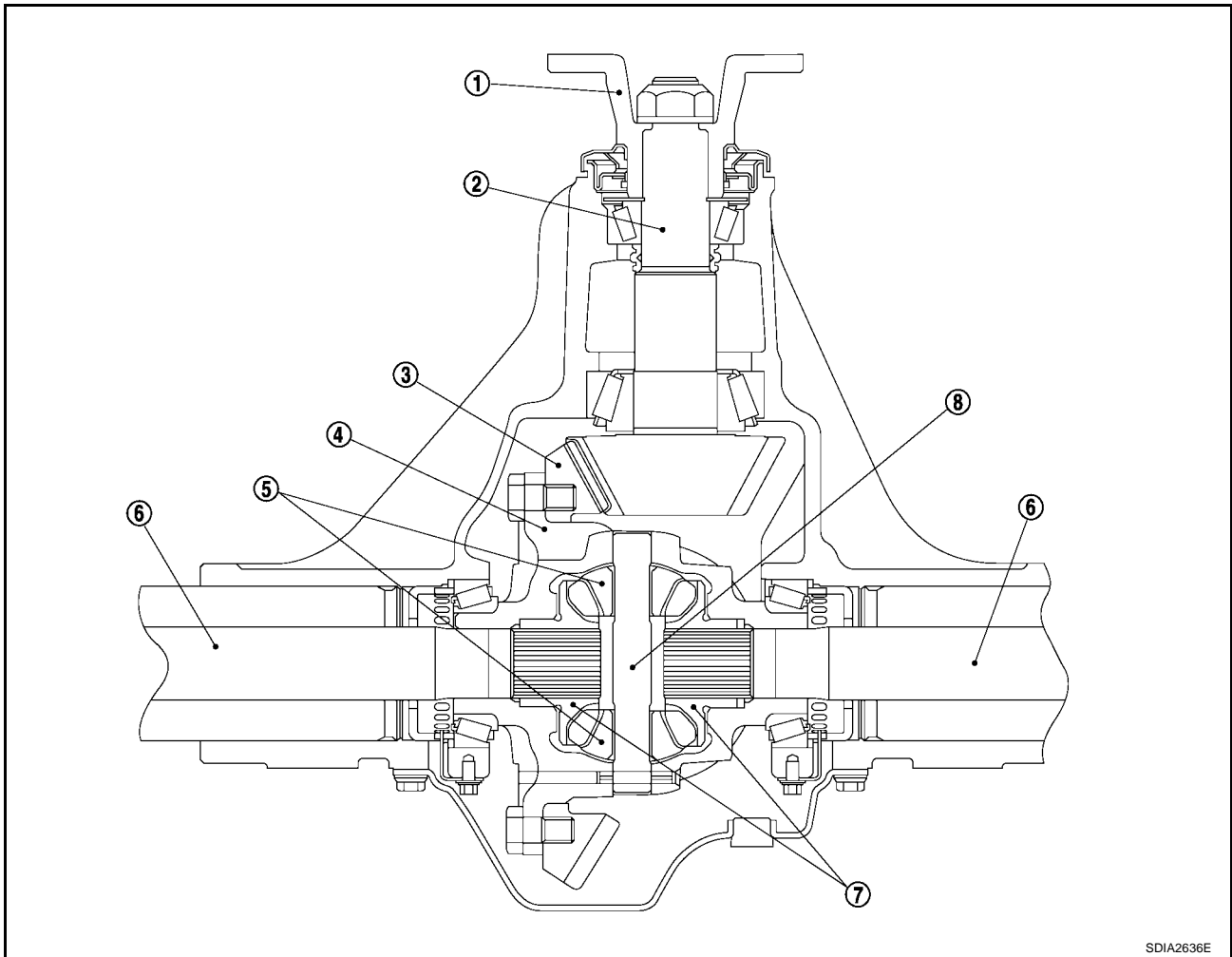
DESCRIPTION
[M226 WITHOUT ELECTRONIC LOCKING DIFFEREN-

DESCRIPTION

PF0:0000

Cross-Sectional View

EDS0026V



- 1. Companion flange
- 4. Differential case
- 7. Side gear

- 2. Drive pinion
- 5. Pinion mate gear
- 8. Pinion mate shaft

- 3. Drive gear
- 6. Axle shaft

SDIA2636E

A
B
C
RFD
E
F
G
H
I
J
K
L
M

DIFFERENTIAL GEAR OIL

[M226 WITHOUT ELECTRONIC LOCKING DIFFEREN-

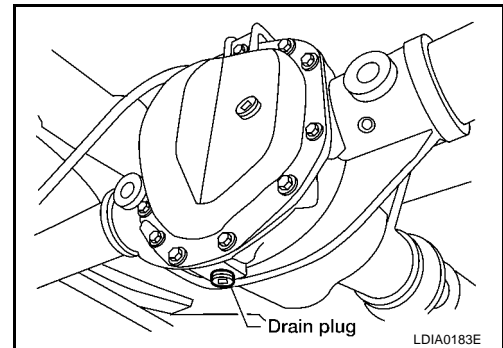
PFP:KLD30

DIFFERENTIAL GEAR OIL

Changing Differential Gear Oil DRAINING

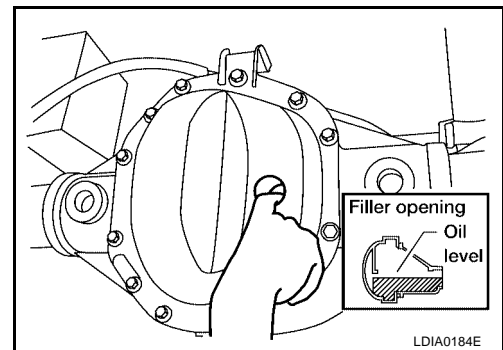
EDS0026W

1. Stop engine.
2. Remove drain plug and drain gear oil.
3. Apply sealant to drain plug. Install drain plug to final drive assembly and tighten to the specified torque. Refer to [RFD-50, "COMPONENTS"](#).
 - Use Genuine Silicone RTV or equivalent. Refer to [GI-48, "Recommended Chemical Products and Sealants"](#).



FILLING

1. Remove filler plug. Fill with new gear oil until oil level reaches the specified limit near filler plug hole.
 - Oil grade and Viscosity:**
Refer to [MA-11, "Fluids and Lubricants"](#).
 - Oil capacity:**
Refer to [MA-11, "Fluids and Lubricants"](#).
2. After refilling oil, check oil level. Apply sealant to filler plug. Install filler plug to final drive assembly and tighten to the specified torque. Refer to [RFD-50, "COMPONENTS"](#).
 - Use Genuine Silicone RTV or equivalent. Refer to [GI-48, "Recommended Chemical Products and Sealants"](#).



Checking Differential Gear Oil OIL LEAKAGE AND OIL LEVEL

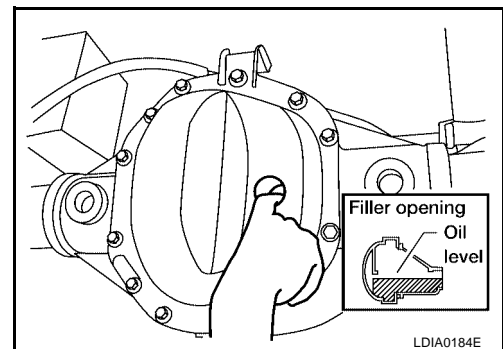
EDS0026X

1. Make sure that gear oil is not leaking from final drive assembly or around it.
2. Check oil level from filler plug hole as shown.

CAUTION:

Do not start engine while checking oil level.

3. Apply sealant to filler plug. Install filler plug to final drive assembly and tighten to the specified torque. Refer to [RFD-50, "COMPONENTS"](#).
 - Use Genuine Silicone RTV or equivalent. Refer to [GI-48, "Recommended Chemical Products and Sealants"](#).



FRONT OIL SEAL [M226 WITHOUT ELECTRONIC LOCKING DIFFEREN-

FRONT OIL SEAL

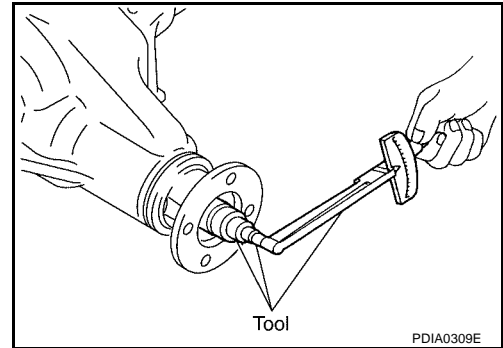
PFP:38189

Removal and Installation REMOVAL

EDS0026Y

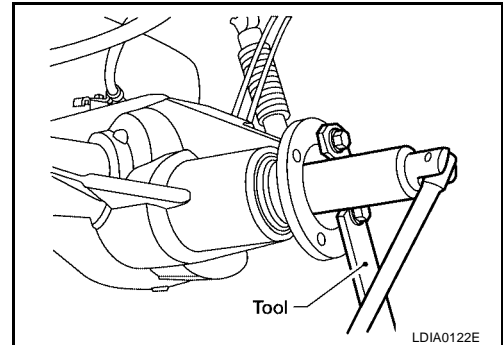
1. Remove the rear propeller shaft. Refer to [PR-10, "Removal and Installation"](#) .
2. Remove the rear tires using power tool.
3. Remove the brake calipers and rotors. Refer to [BR-29, "Removal and Installation of Brake Caliper and Disc Rotor"](#) .
4. Rotate the pinion three or four times using Tool and record the rotating torque.

Tool number : ST3127S000 (J-25765-A)



5. Remove the drive pinion lock nut using Tool.

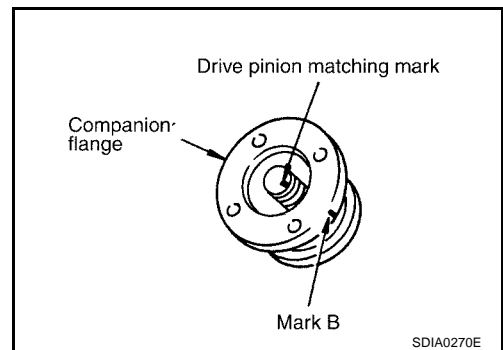
Tool number : KV40104000 (—)



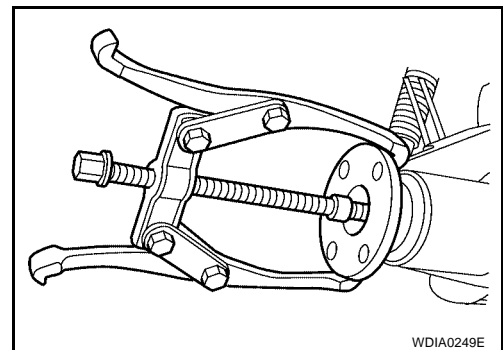
6. Put a matching mark on the end of the drive pinion in line with the matching mark B on the companion flange.

CAUTION:

**Use paint to make the matching mark on the drive pinion.
Do not damage the companion flange or drive pinion.**



7. Remove the companion flange using suitable tool.



A
B
C
RFD
E
F
G
H
I
J
K
L
M

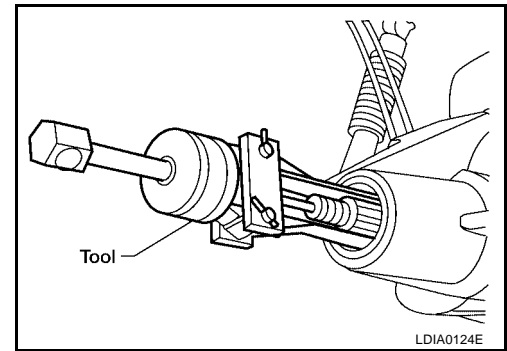
FRONT OIL SEAL [M226 WITHOUT ELECTRONIC LOCKING DIFFEREN-

8. Remove the front oil seal using Tool.

Tool number : ST33290001 (J-34286)

CAUTION:

Do not damage axle housing.



FRONT OIL SEAL [M226 WITHOUT ELECTRONIC LOCKING DIFFEREN-

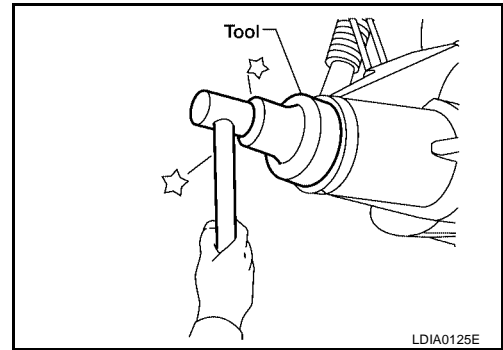
INSTALLATION

1. Apply multi-purpose grease to the oil seal lips, and gear oil onto the circumference of the oil seal. Install the front oil seal into the axle housing using Tool.

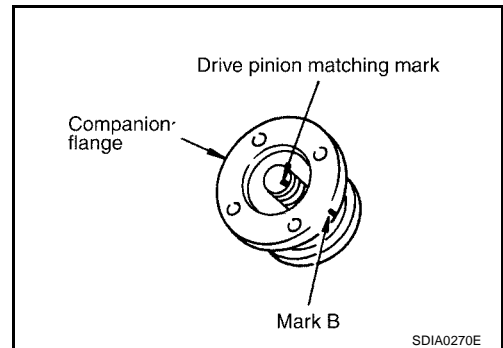
Tool number : ST15310000 (—)

CAUTION:

- Do not reuse oil seal.
- Do not incline oil seal when installing.
- Apply multi-purpose grease onto oil seal lips, and gear oil onto the circumference of oil seal.



2. Align the matching mark of the drive pinion with the matching mark B of the companion flange, then install the companion flange.

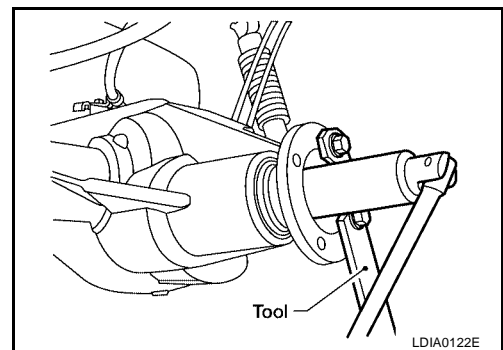


3. Install the washer (if required), and new drive pinion nut. Tighten the nut until there is zero bearing end play using Tool.

Tool number : KV40104000 (—)

CAUTION:

Do not reuse drive pinion nut and washer.



4. Rotate the drive pinion using Tool. Rotating torque should be equal to the reading recorded in step 4 above during removal plus an additional 0.56 N·m (5 in-lb).

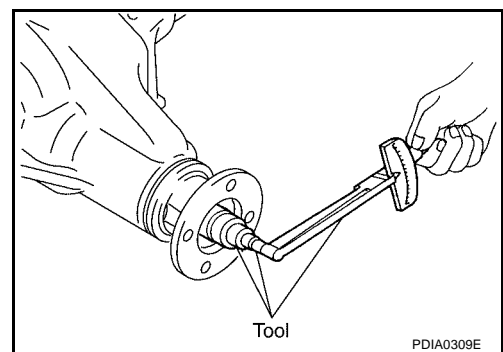
Tool number : ST3127S000 (J-25765-A)

5. If the rotating torque is low, continue to tighten the drive pinion nut in 6.8 N·m (5 ft-lb) increments without overtightening. Refer to [RFD-50, "COMPONENTS"](#). Tighten until proper rotating torque is achieved.

CAUTION:

- Do not loosen the drive pinion nut to decrease drive pinion rear bearing rotating torque.
- Do not exceed specified rotating preload torque. If preload torque or rotating torque is exceeded a new collapsible spacer must be installed.
- Do not exceed maximum tightening torque. If maximum tightening torque is reached prior to reaching the required rotating torque, the collapsible spacer may have been damaged. Replace the collapsible spacer.

6. Check the gear oil level. Refer to [RFD-44, "Checking Differential Gear Oil"](#).
7. Install the remaining components in the reverse order of removal.



CARRIER COVER [M226 WITHOUT ELECTRONIC LOCKING DIFFEREN-

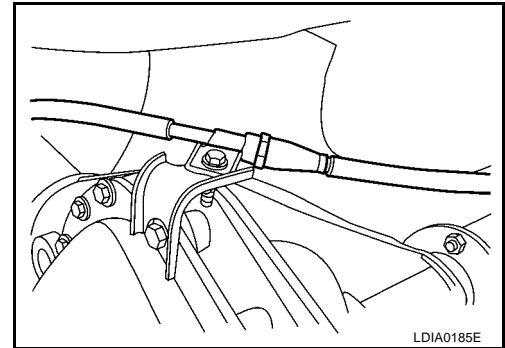
CARRIER COVER

PF3:38351

Removal and Installation REMOVAL

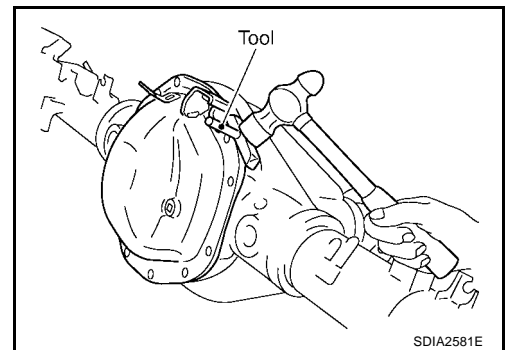
EDS0026Z

1. Remove the drain plug and drain the gear oil. Refer to [RFD-44, "DRAINING"](#) .
2. Disconnect the parking brake cable from the carrier cover.



3. Remove the carrier cover bolts. Then separate the carrier cover from the axle housing using Tool.

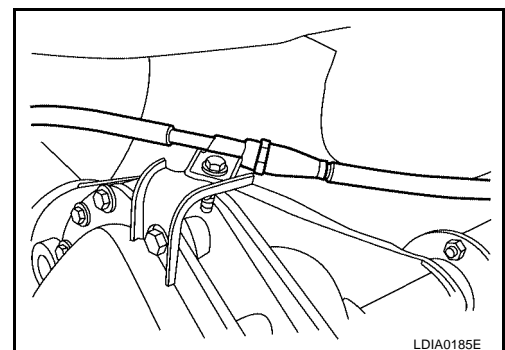
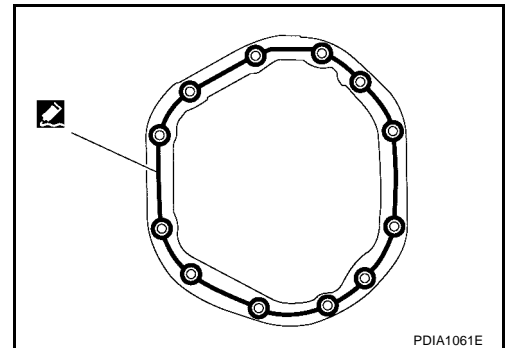
Tool number : KV10111100 (J-37228)



INSTALLATION

1. Apply sealant to mating surface of carrier cover.
 - Use Genuine Silicone RTV or equivalent. Refer to [GI-48, "Recommended Chemical Products and Sealants"](#) .

CAUTION:
Remove old sealant adhering to mating surfaces. Also remove any moisture, oil, or foreign material adhering to application and mating surfaces.
2. Install carrier cover on axle housing and tighten carrier cover bolts to the specified torque. Refer to [RFD-50, "COMPONENTS"](#) .
3. Connect the parking brake cable to the carrier cover and tighten to the specified torque. Refer to [PB-4, "Components"](#) .
4. Fill with new gear oil until oil level reaches the specified limit near filler plug hole. Refer to [RFD-44, "Checking Differential Gear Oil"](#) .



REAR FINAL DRIVE ASSEMBLY

[M226 WITHOUT ELECTRONIC LOCKING DIFFEREN-

REAR FINAL DRIVE ASSEMBLY

PF3:38300

EDS00270

Removal and Installation

REMOVAL

1. Drain the rear final drive gear oil. Refer to [RFD-44, "DRAINING"](#) .
2. Remove the rear propeller shaft. Refer to [PR-10, "Removal and Installation"](#) .
 - Plug rear end of transfer (4WD models only).
3. Remove the axle shafts, back plates and torque members. Refer to [RAX-7, "Removal and Installation"](#) .
4. Disconnect the following components from the rear final drive.
 - ABS sensor wire harness
 - Parking brake cable
 - Brake hoses

CAUTION:

Position the wire harness, cable and hoses away from the final drive assembly. Failure to do so may result in components being damaged during rear axle assembly removal.

5. Support the rear final drive using a suitable jack.
6. Remove rear shock absorber lower bolts. Refer to [RSU-7, "Removal and Installation"](#) .
7. Remove leaf spring U-bolt nuts. Refer to [RSU-8, "Removal and Installation"](#) .

WARNING:

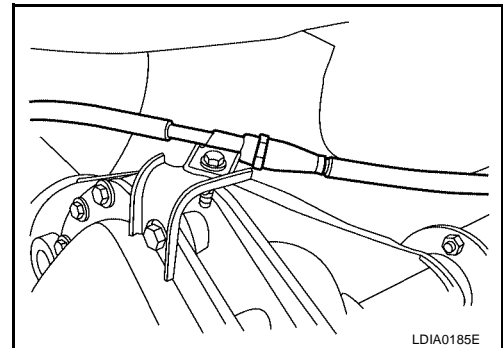
Support the rear final drive assembly using suitable jack before removing leaf spring U-bolt nuts.

8. Remove rear final drive assembly using suitable jack.

INSTALLATION

Installation is in the reverse order of removal.

- Fill the rear final drive with new gear oil until oil level reaches the specified limit near the filler plug hole. Refer to [RFD-44, "Checking Differential Gear Oil"](#) .
- Refill brake fluid and bleed the air from the brake system. Refer to [BR-10, "Bleeding Brake System"](#) .



A

B

C

RFD

E

F

G

H

I

J

K

L

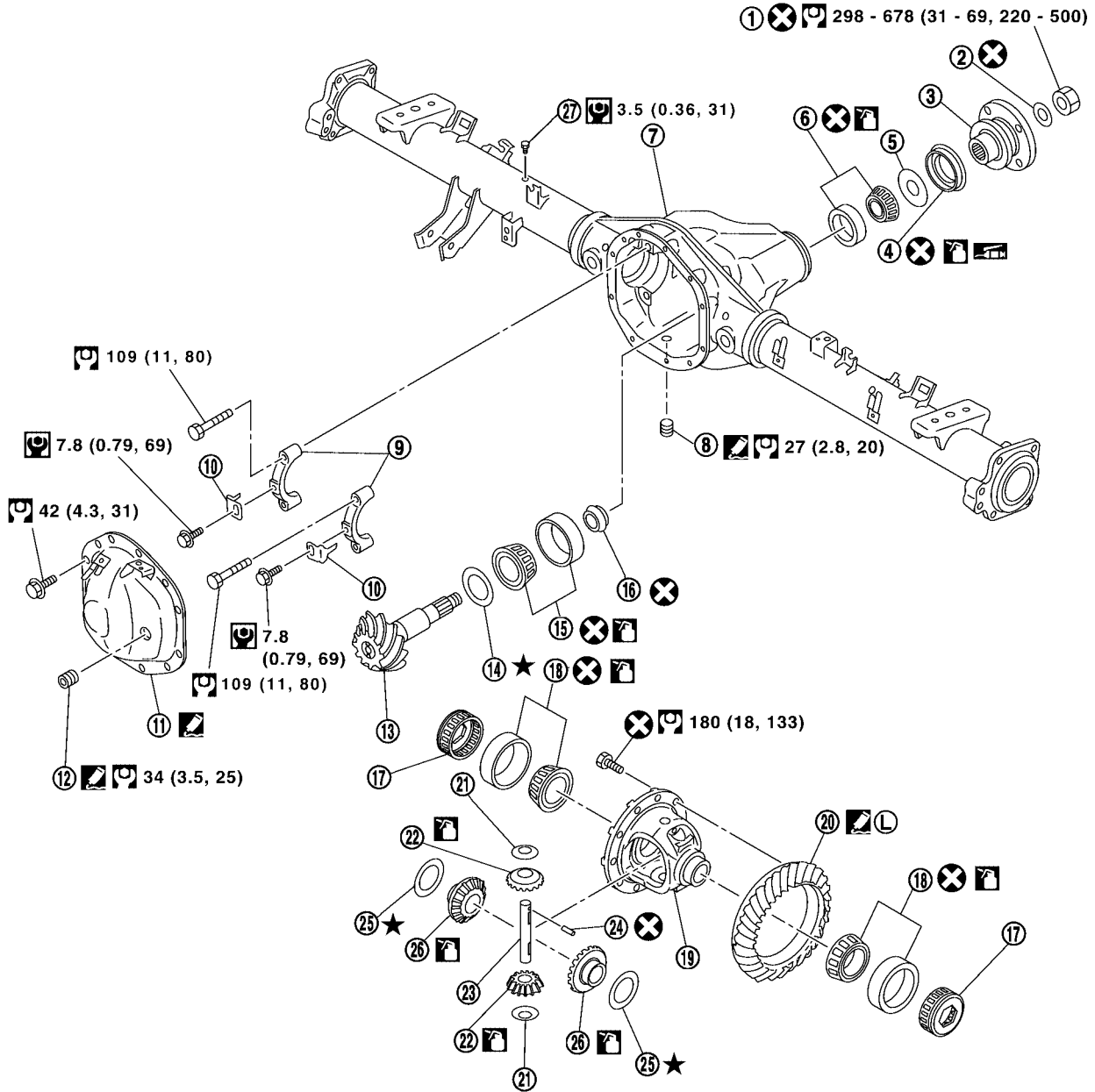
M

REAR FINAL DRIVE ASSEMBLY [M226 WITHOUT ELECTRONIC LOCKING DIFFEREN-

EDS00271

Disassembly and Assembly COMPONENTS

SEC.380



- | | | |
|--|--|-------------------------------|
| 1. Drive pinion nut | 2. Drive pinion nut washer | 3. Companion flange |
| 4. Front oil seal (apply multi-purpose grease to seal lip) | 5. Front bearing thrust washer | 6. Drive pinion front bearing |
| 7. Axle housing | 8. Drain plug | 9. Side bearing cap |
| 10. Adjuster lock plate | 11. Carrier cover | 12. Filler plug |
| 13. Drive pinion | 14. Drive pinion height adjusting washer | 15. Drive pinion rear bearing |
| 16. Collapsible spacer | 17. Side bearing adjuster | 18. Side bearing |
| 19. Differential case | 20. Drive gear (apply Genuine High Strength Thread Locking Sealant, Locktite 648 or equivalent to screw holes and back face) | 21. Pinion mate thrust washer |

WDIA0347E

REAR FINAL DRIVE ASSEMBLY

[M226 WITHOUT ELECTRONIC LOCKING DIFFEREN-

- 22. Pinion mate gear
- 25. Side gear thrust washer

- 23. Pinion mate shaft
- 26. Side gear

- 24. Lock pin
- 27. Breather

ASSEMBLY INSPECTION AND ADJUSTMENT

Total Preload Torque

1. Turn drive pinion in both directions several times to set bearing rollers.
2. Check total preload using Tool.

Tool number : ST3127S000 (J-25765-A)

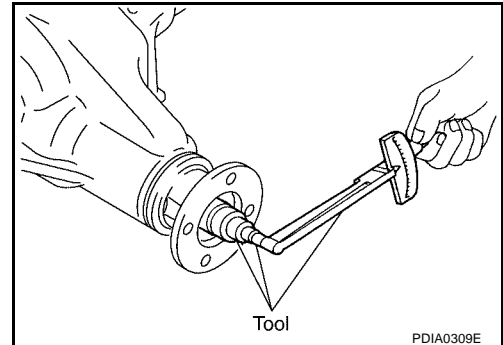
Total preload (with oil seal)

Gear ratio 3.538 Type:

2.49 - 4.57 N·m (0.26 - 0.46 kg·m, 22- 40 in·lb)

Gear ratio 3.692 Type:

2.38 - 4.46 N·m (0.25 - 0.45 kg·m, 21 - 39 in·lb)



NOTE:

Total preload torque = Pinion bearing torque + Side bearing torque

- If measured value is out of the specification, disassemble it to check and adjust each part. Adjust pinion bearing preload and side bearing preload. Adjust pinion bearing preload first, then adjust side bearing preload.

When the preload torque is greater than specification

On pinion bearings: Replace collapsible spacer.

On side bearings: Loosen side bearing adjuster.

When the preload torque is less than specification

On pinion bearings: Tighten drive pinion nut.

On side bearings: Tighten side bearing adjuster.

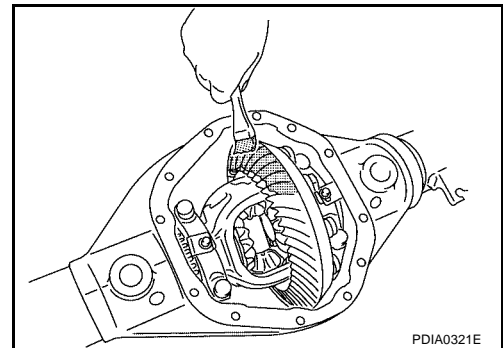
Tooth Contact

Checking gear tooth contact pattern is necessary to verify correct relationship between drive gear and drive pinion. Gears which are not positioned in proper arrangement may be noisy and/or have a short life. Check gear tooth contact pattern to obtain the best contact for low noise and long life.

1. Remove rear cover. Refer to [RFD-54, "DISASSEMBLY"](#).
2. Thoroughly clean drive gear and drive pinion teeth.
3. Apply red lead to drive gear.

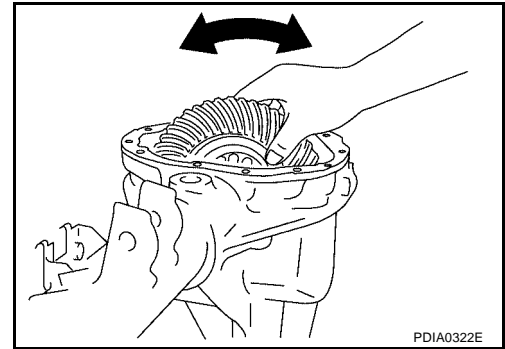
CAUTION:

Apply red lead to both the faces of 3 to 4 gears at 4 locations evenly spaced on drive gear.

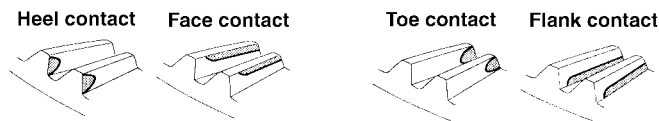


REAR FINAL DRIVE ASSEMBLY [M226 WITHOUT ELECTRONIC LOCKING DIFFEREN-

4. Hold companion flange steady by hand and rotate drive gear in both directions.

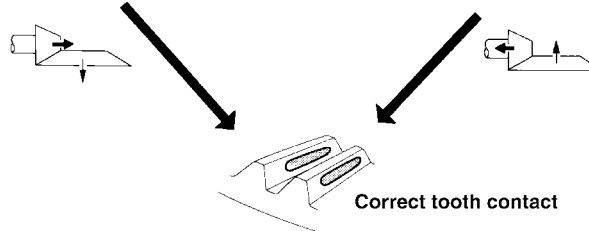


Usually the pattern will be correct if washers are correctly calculated and the backlash is correct. However, in rare cases, trial and error processes may be employed to obtain a correct pattern. The tooth pattern is the best indication of how well a differential has been set up.



To correct, increase thickness of drive pinion height adjusting washer in order to bring drive pinion close to drive gear.

To correct, reduce thickness of drive pinion height adjusting washer in order to make drive pinion go away from drive gear.



When adjustment is completed, be sure to wipe off completely the red lead and oil or their equivalent.

SDIA2591E

5. If outside the standard, adjust drive pinion height adjusting washer and backlash. Refer to [RFD-60, "Drive Pinion Height Adjusting Washer"](#) and [RFD-52, "Backlash"](#).

Backlash

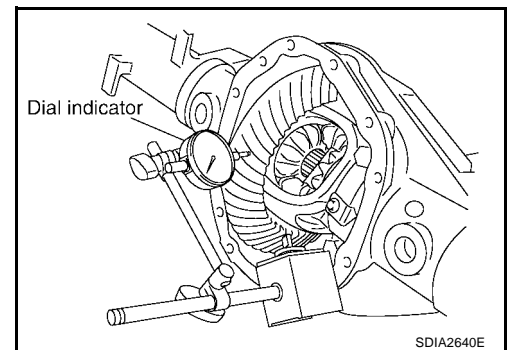
1. Remove rear cover. Refer to [RFD-54, "DISASSEMBLY"](#).
2. Check drive gear to drive pinion backlash using a dial indicator at several points.

Drive gear to drive pinion backlash:
0.08 - 0.13 mm (0.0031 - 0.0051 in)

3. If outside the standard, adjust side bearing adjuster.

CAUTION:
Check tooth contact and total preload after adjusting side bearing adjuster. Refer to [RFD-51, "Total Preload Torque"](#), [RFD-51, "Tooth Contact"](#).

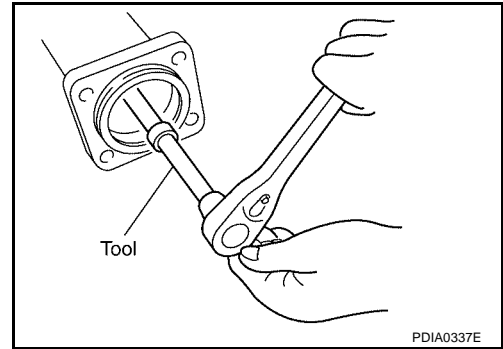
- a. Remove adjuster lock plate.
- b. Loosen side bearing cap bolts.



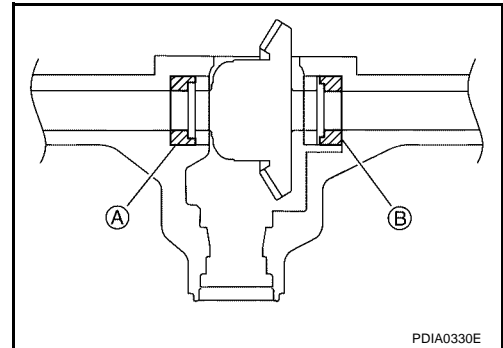
REAR FINAL DRIVE ASSEMBLY [M226 WITHOUT ELECTRONIC LOCKING DIFFEREN-

- c. Tighten or loosen each side bearing adjuster using Tool.

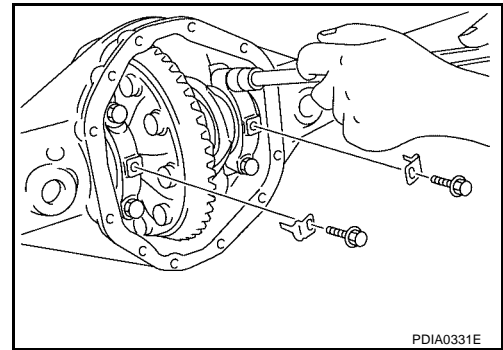
Tool number : — (C-4164)



- d. In case of excessive backlash, loosen side bearing adjuster A and tighten side bearing adjuster B. In case of insufficient backlash, loosen side bearing adjuster B and tighten side bearing adjuster A.



- e. After adjusting backlash, tighten cap bolts to the specified torque. Refer to [RFD-50, "COMPONENTS"](#).
f. Install adjuster lock plate and tighten to the specified torque. Refer to [RFD-50, "COMPONENTS"](#).



Companion Flange Runout

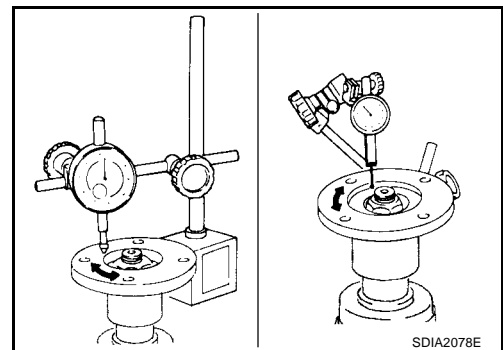
1. Fit a dial indicator onto companion flange face (inner side of propeller shaft bolt holes).
2. Rotate companion flange to check for runout.

Runout limit : 0.10 mm (0.0039 in) or less

3. Fit a test indicator to the inner side of companion flange (socket diameter).
4. Rotate companion flange to check for runout.

Runout limit : 0.13 mm (0.0051 in) or less

5. If the runout value is outside the repair limit, follow the procedure below to adjust.
 - a. Check for runout while changing the phase between companion flange and drive pinion by 90°, 180° and 270° and search for the point where the runout is the minimum.
 - b. If the runout value is still outside of the limit after the phase has been changed, replace companion flange.
 - c. If the runout value is still outside of the limit after companion flange has been replaced, check drive pinion bearing and drive pinion assembly.



A
B
C
RFD
E
F
G
H
I
J
K
L
M

REAR FINAL DRIVE ASSEMBLY

[M226 WITHOUT ELECTRONIC LOCKING DIFFEREN-

DISASSEMBLY

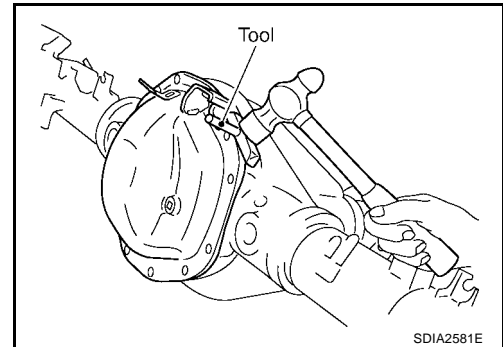
Differential Assembly

1. Remove carrier cover bolts.
2. Separate carrier cover from axle housing using Tool.

Tool number : KV10111100 (J-37228)

CAUTION:

- Do not damage the mating surface.
- Do not insert flat-bladed screwdriver, this will damage the mating surface.

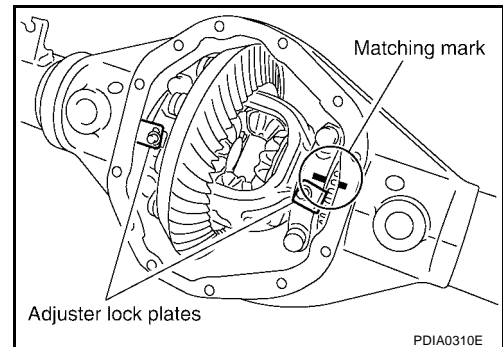


3. For proper reinstallation, paint matching mark on one side of side bearing cap.

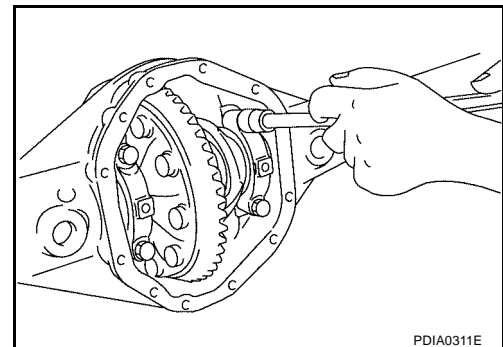
CAUTION:

- Side bearing caps are line-board for initial assembly. The matching marks are used to reinstall them in their original positions.
- For matching mark, use paint. Do not damage side bearing cap.

4. Remove adjuster lock plates.

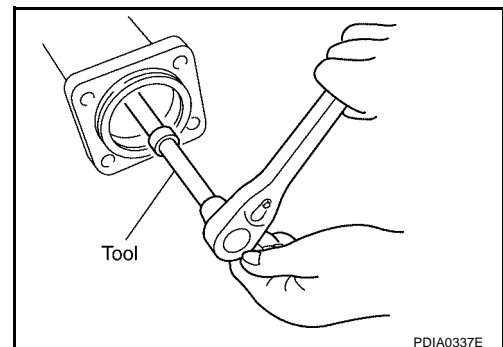


5. Remove side bearing caps.



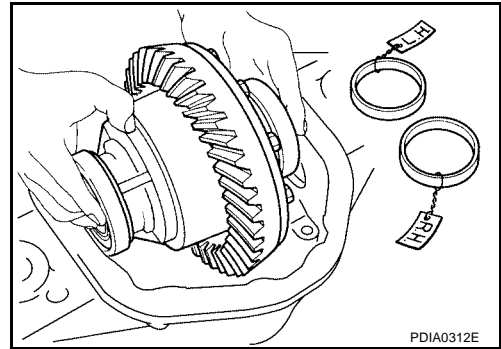
6. Remove side bearing adjusters using Tool.

Tool number : — (C-4164)



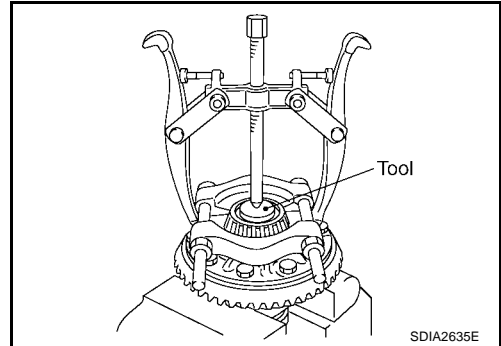
REAR FINAL DRIVE ASSEMBLY [M226 WITHOUT ELECTRONIC LOCKING DIFFEREN-

7. Keep side bearing outer races together with inner races. Do not mix them up. Also, keep side bearing adjusters together with bearing.
8. Remove side bearing adjusters from axle housing.



9. Remove side bearing inner races using Tool.
- Tool number** : ST33081000 (—)

CAUTION:
Do not damage differential case.

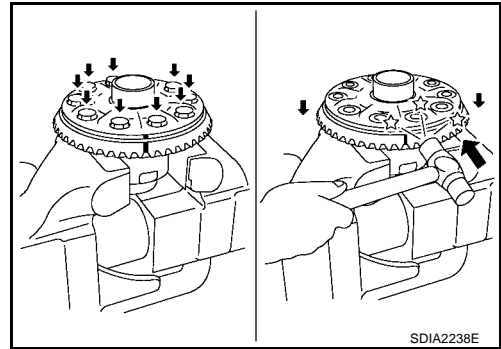


10. For proper reinstallation, paint matching mark on differential case and drive gear.

CAUTION:
For matching mark, use paint. Do not damage differential case and drive gear.

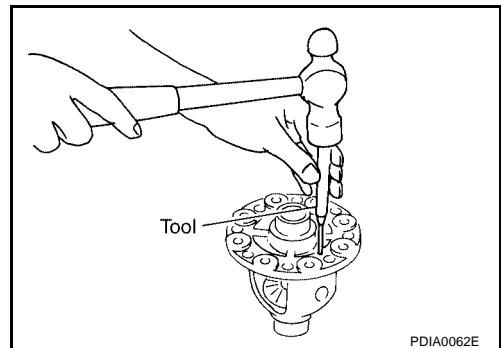
11. Remove drive gear bolts.
12. Tap drive gear off differential case using suitable tool.

CAUTION:
Tap evenly all around to keep drive gear from binding.

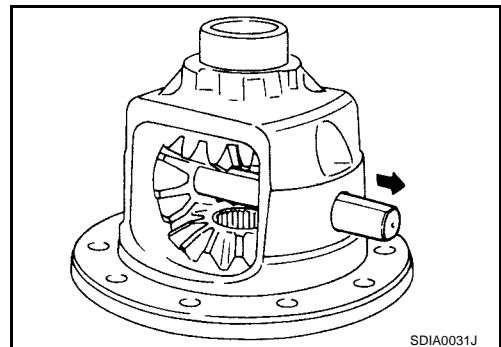


13. Pull lock pin out of pinion mate shaft using Tool.

Tool number : ST23550000 (—)



14. Remove pinion mate shaft.

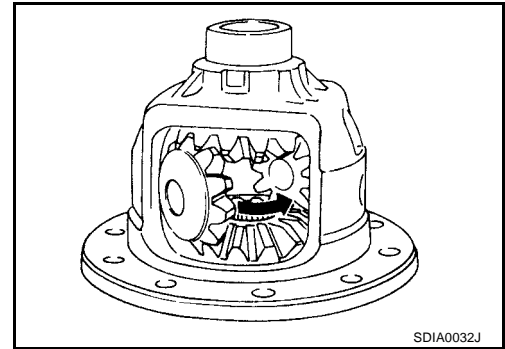


A
B
C
RFD

E
F
G
H
I
J
K
L
M

REAR FINAL DRIVE ASSEMBLY [M226 WITHOUT ELECTRONIC LOCKING DIFFEREN-

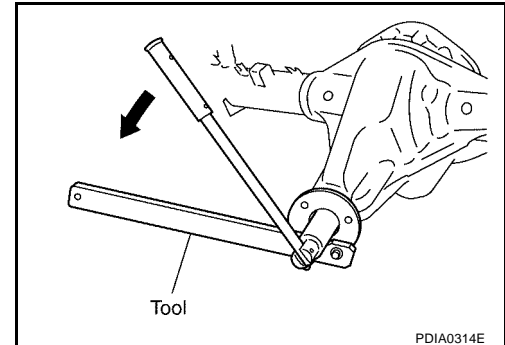
15. Turn pinion mate gear, then remove pinion mate gear, pinion mate thrust washer, side gear and side gear thrust washer from differential case.



Drive Pinion Assembly

1. Remove differential case assembly. Refer to [RFD-54, "Differential Assembly"](#).
2. Remove drive pinion nut and washer using Tool.

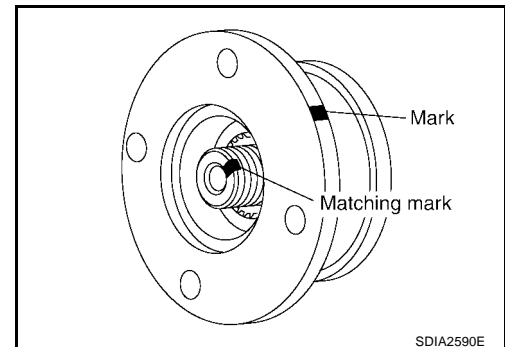
Tool number : KV40104000 (—)



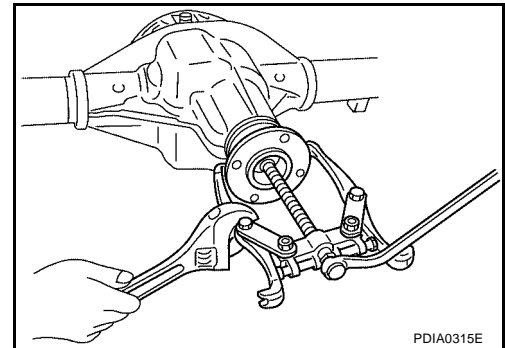
3. Put a matching mark on the thread edge of drive pinion. The mark should be in line with the mark on companion flange.

CAUTION:

For matching mark, use paint. Do not damage drive pinion.



4. Remove companion flange using suitable tool.



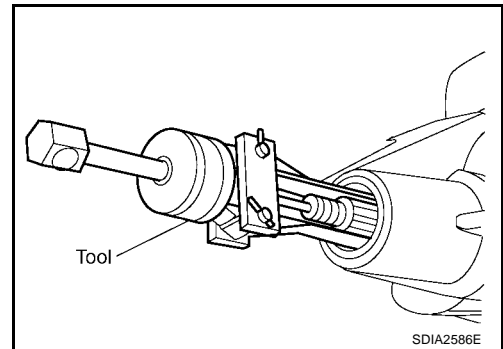
REAR FINAL DRIVE ASSEMBLY [M226 WITHOUT ELECTRONIC LOCKING DIFFEREN-

5. Remove front oil seal using Tool.

Tool number : ST33290001 (J-34286)

CAUTION:
Do not damage axle housing.

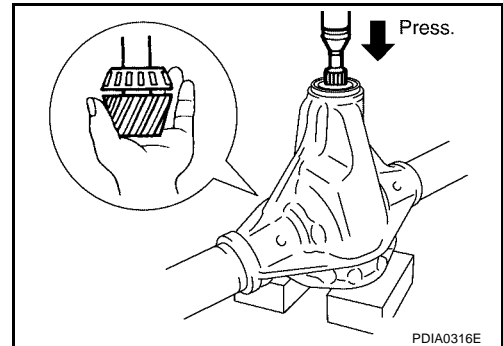
6. Remove front bearing thrust washer.



7. Press the drive pinion assembly and collapsible spacer from axle housing.

CAUTION:
Do not drop drive pinion assembly.

8. Remove drive pinion front bearing inner race from axle housing.

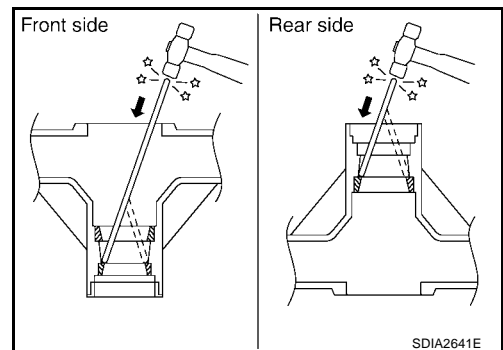


9. Tap drive pinion front bearing outer race uniformly with a brass bar or equivalent to remove.

CAUTION:
Do not damage axle housing.

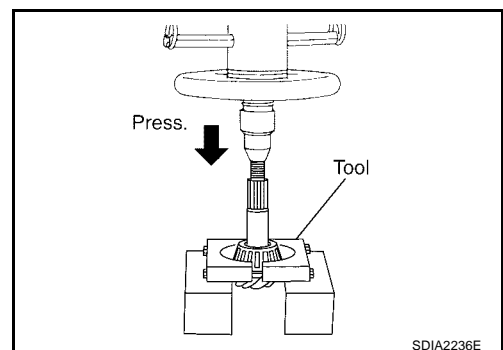
10. Tap drive pinion rear bearing outer race uniformly with a brass bar or equivalent for removal.

CAUTION:
Do not damage axle housing.



11. Remove drive pinion rear bearing inner race and drive pinion height adjusting washer using Tool.

Tool number : ST30021000 (J-22912-01)



A
B
C
RFD

E
F
G

H
I
J

K
L
M

REAR FINAL DRIVE ASSEMBLY

[M226 WITHOUT ELECTRONIC LOCKING DIFFEREN-

INSPECTION AFTER DISASSEMBLY

Drive Gear and Drive Pinion

- If the gear teeth do not mesh or line-up correctly, determine the cause and adjust, repair, or replace as necessary.
- If the gears are worn, cracked, damaged, pitted or chipped (by friction) noticeably, replace with new gears.
- Drive gear and drive pinion are supplied in matched sets only. Matching numbers on both drive pinion and drive gear are etched for verification. If a new gear set is being used, verify the numbers of each pinion gear and drive gear before proceeding with assembly.

Bearing

- If bearings are chipped (by friction), pitted, worn, rusted, scratched, or unusual noise is coming from bearing, replace with new bearing assembly (as a new set).
- Bearing must be replaced with a new one whenever disassembled.

Side Gear, Pinion Mate and Pinion Mate Shaft

- If any cracks or damage are found on the surface of the tooth, replace with new one.
- If any worn or chipped marks are found on the contact sides of thrust washer, replace with new one.
- Replace both side gear and pinion mate gear as a set when replacing side gear or pinion mate gear.

Side Gear Thrust Washer and Pinion Mate Thrust Washer

- If any chips (by friction), damage, or unusual wear are found, replace with new one.

Differential Case

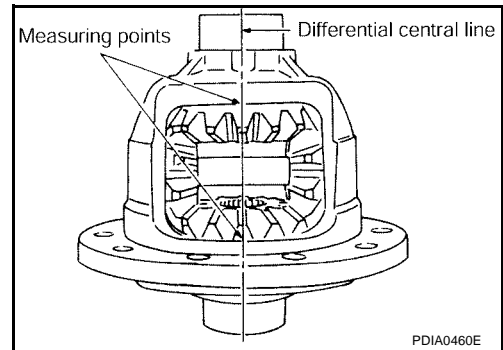
- If any wear or cracks are found on the contact sides of differential case, replace with new one.

REAR FINAL DRIVE ASSEMBLY [M226 WITHOUT ELECTRONIC LOCKING DIFFEREN-

SELECTION ADJUSTING WASHERS

Side Gear Thrust Washer

1. Place differential case straight up so that side gear to be measured comes upward.



2. Using a thickness gauge, measure the clearance between side gear back and differential case at 3 different points, while rotating side gear. Average the 3 readings, and then measure the clearance. (Measure the clearance of the other side as well.)

Side gear back clearance standard:

0.305 mm (0.0120 in) or less.

(Each gear should rotate smoothly without excessive resistance during differential motion.)

CAUTION:

To prevent side gear from tilting, insert thickness gauges with the same thickness from both sides.

3. If the back clearance is outside the standard, use a thicker/thinner side gear thrust washer to adjust.

When the back clearance is greater than specification:

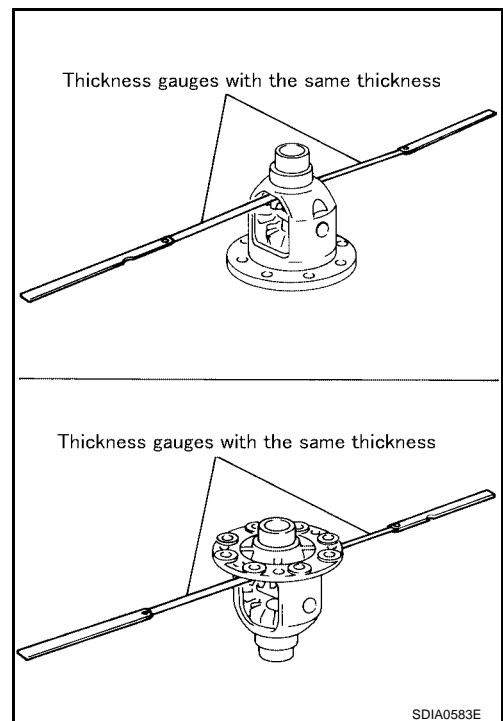
Use a thicker thrust washer.

When the back clearance is less than specification:

Use a thinner thrust washer.

CAUTION:

Select a side gear thrust washer for right and left individually.

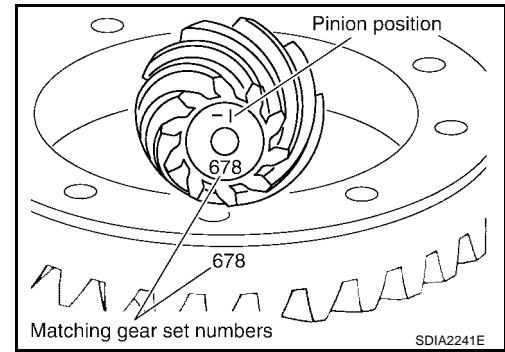


A
B
C
RFD
E
F
G
H
I
J
K
L
M

REAR FINAL DRIVE ASSEMBLY [M226 WITHOUT ELECTRONIC LOCKING DIFFEREN-

Drive Pinion Height Adjusting Washer

- Drive gear and drive pinion are supplied in matched sets only. Matching numbers on both drive pinion and drive gear are etched for verification. If a new gear set is being used, verify the numbers of each drive pinion and drive gear before proceeding with assembly.



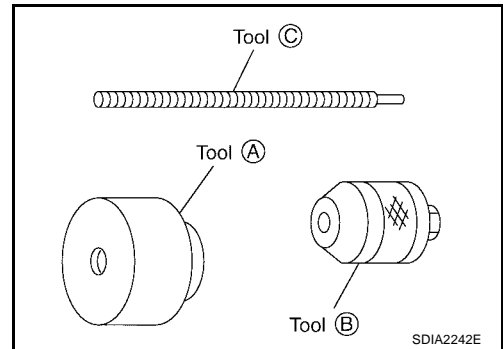
- The mounting distance from the center line of drive gear to the back face of drive pinion for the Model 226 axle assembly is 109.5 mm (4.312 in). On the button end of each drive pinion, there is etched a plus (+) number, a minus (-) number, or a zero (0), which indicates the best running position for each particular gear set. This dimension is controlled by a selective drive pinion height adjusting washer between drive pinion inner bearing race and drive pinion. For example: If a drive pinion is etched m+8 (+3), it would require 0.08 mm (0.003 in) less drive pinion height adjusting washer than a drive pinion etched "0". This means decreasing drive pinion height adjusting washer thickness; increases the mounting distance of drive pinion to 109.6 mm (4.315 in). If a drive pinion is etched m-8 (-3), it would require adding 0.08 mm (0.003 in) more to drive pinion height adjusting washer than would be required if drive pinion were etched "0". By adding 0.08 mm (0.003 in), the mounting distance of drive pinion was decreased to 109.4 mm (4.309 in) which is just what m-8 (a-3) etching indicated.
- To change drive pinion adjustment, use different drive pinion height adjusting washers which come in different thickness.
- Use the following tables as a guide for selecting the correct drive pinion height adjusting washer thickness to add or subtract from the old drive pinion height adjusting washer.

OLD DRIVE PINION MARKING	NEW DRIVE PINION MARKING mm (in)								
	-4	-3	-2	-1	0	+1	+2	+3	+4
+4	+0.20 (+0.008)	+0.18 (+0.007)	+0.15 (+0.006)	+0.13 (+0.005)	+0.10 (+0.004)	+0.08 (+0.003)	+0.05 (+0.002)	+0.02 (+0.001)	0 (0)
+3	+0.18 (+0.007)	+0.15 (+0.006)	+0.13 (+0.005)	+0.10 (+0.004)	+0.08 (+0.003)	+0.05 (+0.002)	+0.02 (+0.001)	0 (0)	-0.02 (-0.001)
+2	+0.15 (+0.006)	+0.13 (+0.005)	+0.10 (+0.004)	+0.08 (+0.003)	+0.05 (+0.002)	+0.02 (+0.001)	0 (0)	-0.02 (-0.001)	-0.05 (-0.002)
+1	+0.13 (+0.005)	+0.10 (+0.004)	+0.08 (+0.003)	+0.05 (+0.002)	+0.02 (+0.001)	0 (0)	-0.02 (-0.001)	-0.05 (-0.002)	-0.08 (-0.003)
0	+0.10 (+0.004)	+0.08 (+0.003)	+0.05 (+0.002)	+0.02 (+0.001)	0 (0)	-0.02 (-0.001)	-0.05 (-0.002)	-0.08 (-0.003)	-0.10 (-0.004)
-1	+0.08 (+0.003)	+0.05 (+0.002)	+0.02 (+0.001)	0 (0)	-0.02 (-0.001)	-0.05 (-0.002)	-0.08 (-0.003)	-0.10 (-0.004)	-0.13 (-0.005)
-2	+0.05 (+0.002)	+0.02 (+0.001)	0 (0)	-0.02 (-0.001)	-0.05 (-0.002)	-0.08 (-0.003)	-0.10 (-0.004)	-0.13 (-0.005)	-0.15 (-0.006)
-3	+0.02 (+0.001)	0 (0)	-0.02 (-0.001)	-0.05 (-0.002)	-0.08 (-0.003)	-0.10 (-0.004)	-0.13 (-0.005)	-0.15 (-0.006)	-0.18 (-0.007)
-4	0 (0)	-0.02 (-0.001)	-0.05 (-0.002)	-0.08 (-0.003)	-0.10 (-0.004)	-0.13 (-0.005)	-0.15 (-0.006)	-0.18 (-0.007)	-0.20 (-0.008)

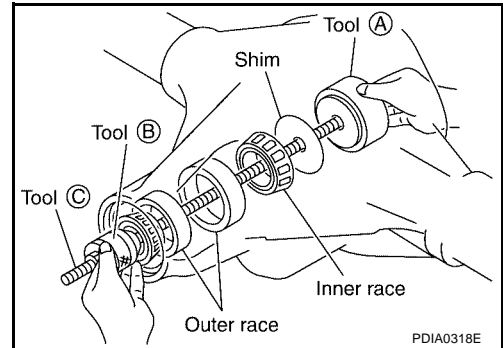
REAR FINAL DRIVE ASSEMBLY [M226 WITHOUT ELECTRONIC LOCKING DIFFEREN-

1. Make sure all parts are clean and that drive pinion bearings are well lubricated.
2. Assemble drive pinion bearings into Tool.

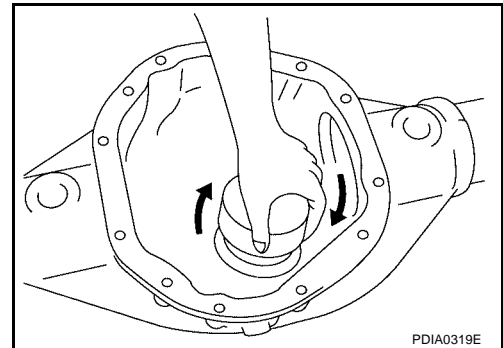
Tool number	A:	—	(8144)
	B:	—	(6740)
	C:	—	(6741)



3. Install drive pinion bearing inner race and drive pinion height adjusting washer to axle housing using Tool as shown.



4. Turn the assembly several times to seat drive pinion bearings.

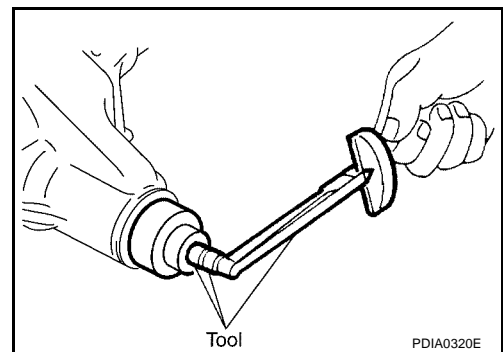


5. Measure the turning torque using Tool.

Tool number : ST3127S000 (J-25765-A)

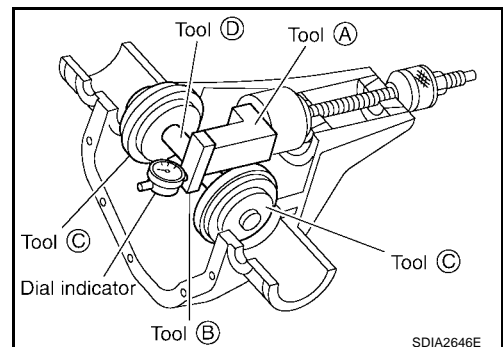
Turning torque specification:

1.2 - 2.8 N-m (0.13 - 0.28 kg-m, 11 - 24 in-lb)



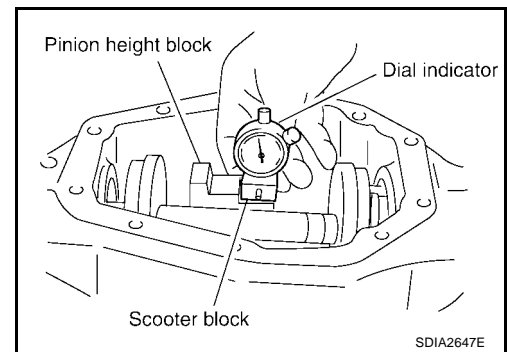
6. Tighten side bearing caps to the specified torque installing Tools as shown.

Tool number	A:	—	(6739)
	B:	—	(D-115-2)
	C:	—	(8541A-1)
	D:	—	(D-115-3)



REAR FINAL DRIVE ASSEMBLY [M226 WITHOUT ELECTRONIC LOCKING DIFFEREN-

7. Put scooter block on pinion height block. Make sure that dial indicator is level adjusting pressure with a hand. Dial indicator indicates "0".
8. Slide dial indicator along arbor. Record the maximum.
9. Adjust drive pinion height adjusting washer so that the maximum will be "0".



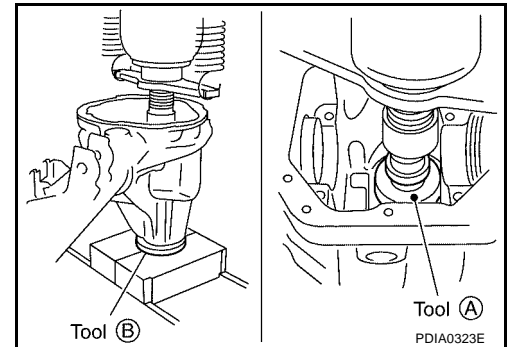
ASSEMBLY

Drive Pinion Assembly

1. Press a drive pinion rear bearing outer race into axle housing using Tools.

Tool number **A: ST01500001 (—)**
 B: ST30022000 (—)

CAUTION:
Do not reuse drive pinion rear bearing.

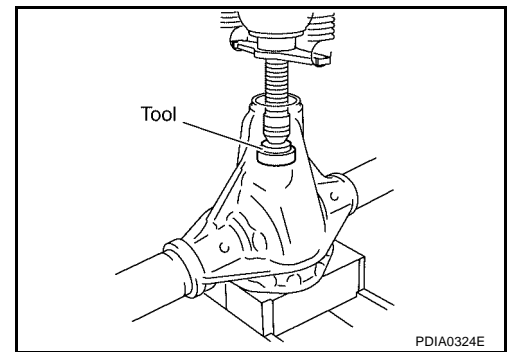


2. Press drive pinion front bearing outer race into axle housing using Tool.

Tool number **: ST33022000 (—)**

CAUTION:
Do not reuse drive pinion front bearing.

3. Select drive pinion height adjusting washer. Refer to [RFD-60](#), "[Drive Pinion Height Adjusting Washer](#)".

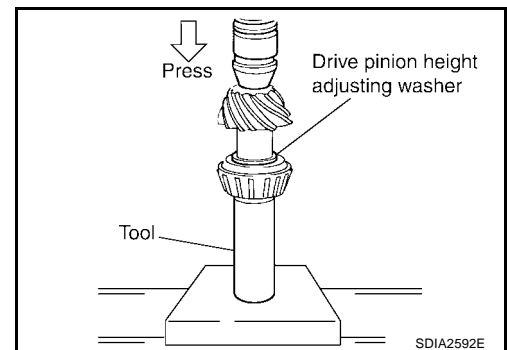


4. Press a drive pinion rear bearing inner race and drive pinion height adjusting washer to drive pinion using Tool.

Tool number **: — (C - 4040)**

CAUTION:
Do not reuse drive pinion rear bearing.

5. Apply gear oil to drive pinion rear bearing and drive pinion front bearing.
6. Install drive pinion front bearing inner race in axle housing.
7. Install front bearing thrust washer to axle housing.



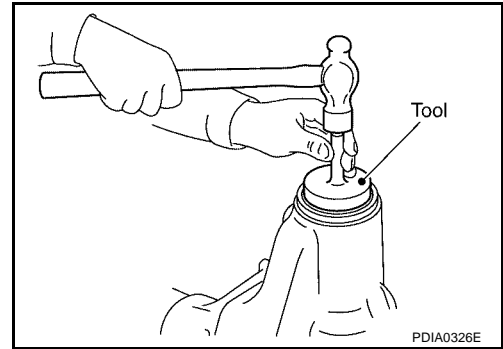
REAR FINAL DRIVE ASSEMBLY [M226 WITHOUT ELECTRONIC LOCKING DIFFEREN-

8. Apply multi-purpose grease to front oil seal lip. Install front oil seal into axle housing using Tool.

Tool number : ST15310000 (—)

CAUTION:

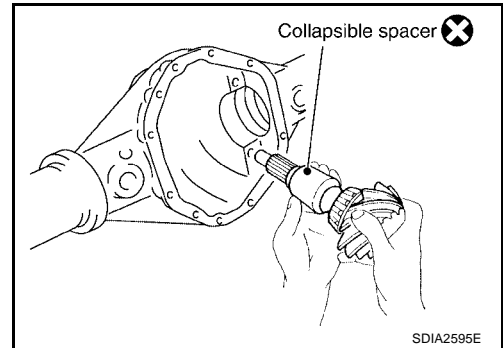
- Do not reuse oil seal.
- When installing, do not incline oil seal.



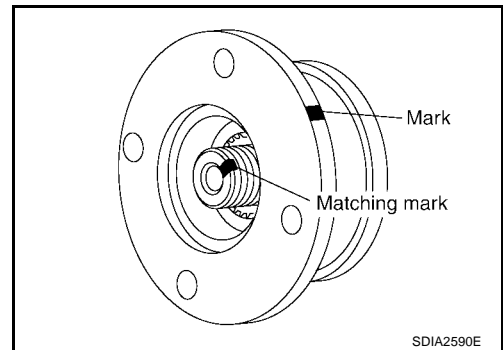
9. Install collapsible spacer to drive pinion. And then install drive pinion assembly in axle housing.

CAUTION:

- Do not reuse collapsible spacer.
- Do not damage front oil seal.



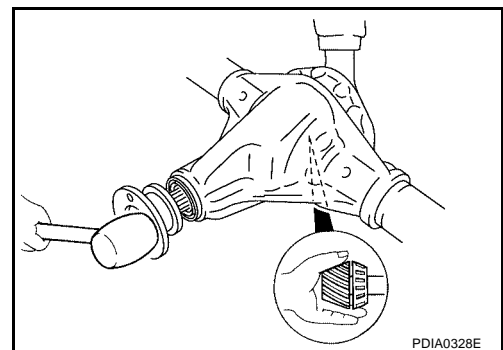
10. Align the matching mark of drive pinion with the mark of companion flange.



11. Install companion flange onto drive pinion. Tap companion flange until fully seated using suitable tool.

CAUTION:

Do not damage companion flange and front oil seal.



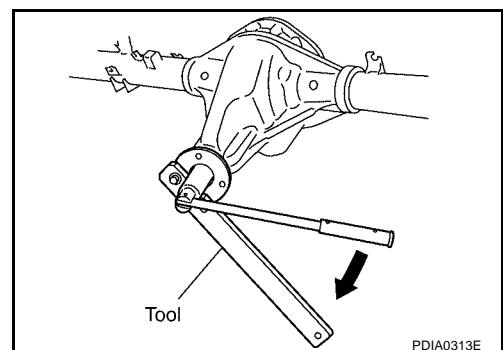
12. Install drive pinion nut and drive pinion nut washer. Tighten the drive pinion nut using Tool until total preload is within specification.

- The threaded portion of drive pinion and drive pinion nut should be free from oil or grease.

Tool number : KV40104000 (—)

CAUTION:

Do not reuse drive pinion nut and drive pinion nut washer.



A
B
C
RFD

E
F
G
H
I
J
K
L
M

REAR FINAL DRIVE ASSEMBLY [M226 WITHOUT ELECTRONIC LOCKING DIFFEREN-

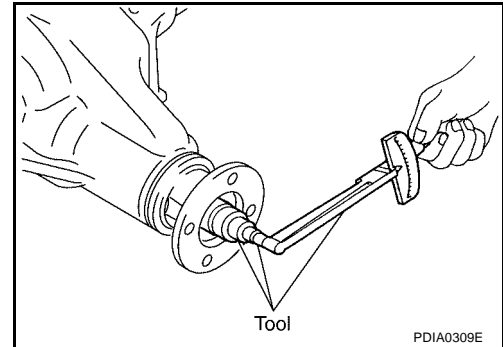
13. Tighten drive pinion nut by very small degrees until the specified preload is achieved. When checking the preload, turn drive pinion in both directions several times to set the bearing rollers using Tool.

Tool number : ST3127S000 (J-25765-A)

Pinion bearing preload:

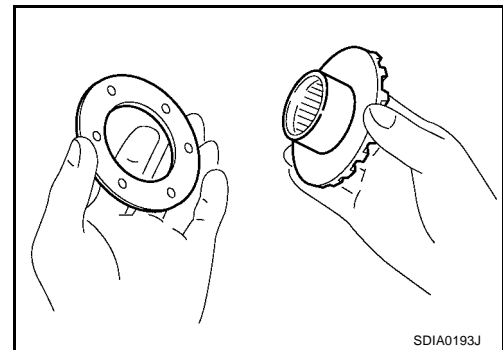
1.7 - 3.1 N·m (0.18 - 0.31 kg·m, 15 - 27 in·lb)

- a. This procedure will have to be repeated if:
- Maximum preload is achieved before the minimum drive pinion nut torque is reached.
 - Minimum preload is not achieved before maximum drive pinion nut torque is reached.

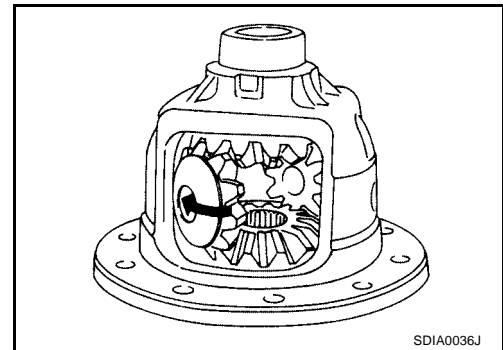


Differential Assembly

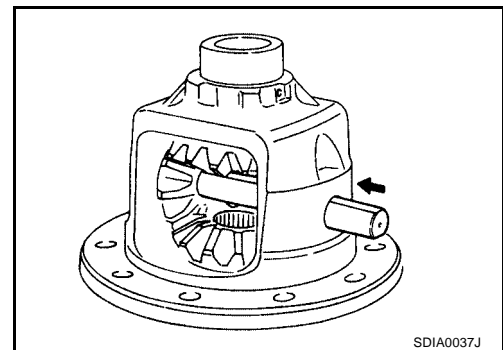
1. Assemble side gear thrust washers with the same thickness as the ones installed prior to disassembly or reinstall the old ones on side gears.
2. Assemble side gear and side gear thrust washer into differential case.



3. Align 2 pinion mate gears in diagonally opposite positions, then rotate and assemble them into differential case after assembling pinion mate thrust washer to pinion mate gear.



4. Align lock pin holes on differential case and shaft, and assemble pinion mate shaft.
5. Measure side gear end play. If necessary, select the appropriate side gear thrust washers. Refer to [RFD-59. "Side Gear Thrust Washer"](#).



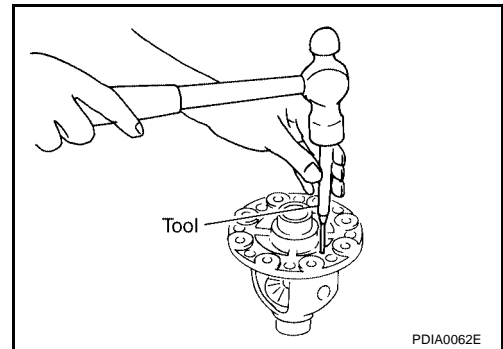
REAR FINAL DRIVE ASSEMBLY [M226 WITHOUT ELECTRONIC LOCKING DIFFEREN-

6. Drive a lock pin into pinion mate shaft using Tool.

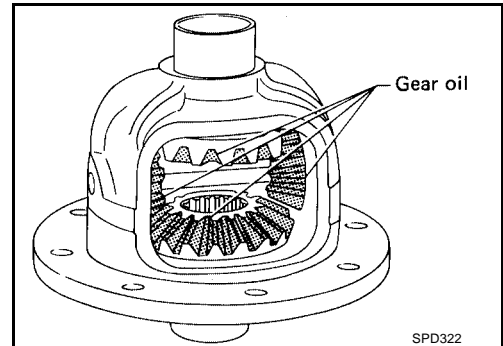
Tool number : ST23550000 (—)

CAUTION:

Do not reuse lock pin.

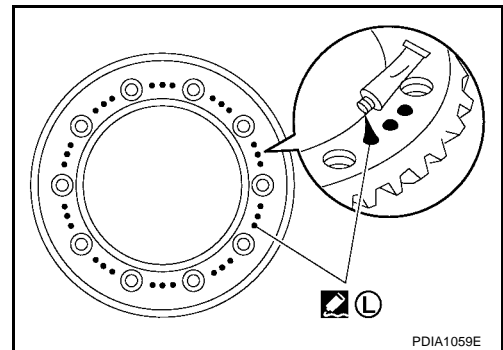


7. Apply gear oil to gear tooth surfaces and thrust surfaces and check to see they turn properly.

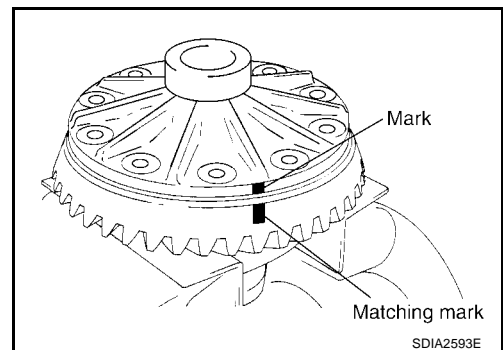


8. Apply thread locking sealant to back face of drive gear.

- Use Genuine High Strength Thread Locking Sealant, Loctite 648 or equivalent. Refer to [GI-48, "Recommended Chemical Products and Sealants"](#).



9. Align the matching mark of differential case with the mark of drive gear, then install drive gear.

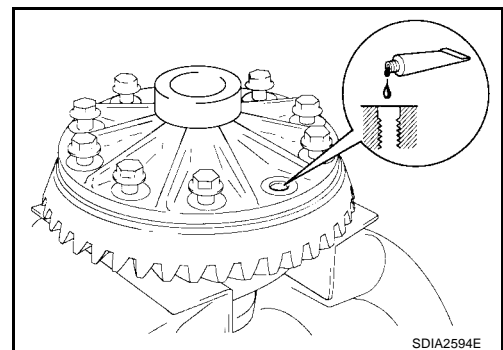


10. Apply thread locking sealant into the thread hole of drive gear.

- Use Genuine High Strength Thread Locking Sealant, Loctite 648 or equivalent. Refer to [GI-48, "Recommended Chemical Products and Sealants"](#).

CAUTION:

Make sure the drive gear back and threaded holes are clean.



A
B
C
RFD

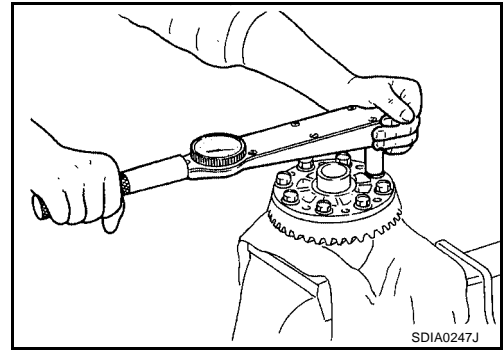
E
F
G
H
I
J
K
L
M

REAR FINAL DRIVE ASSEMBLY [M226 WITHOUT ELECTRONIC LOCKING DIFFEREN-

11. Install the drive gear bolts, and then tighten to the specified torque. Refer to [RFD-50, "COMPONENTS"](#) .

CAUTION:

- Do not reuse the bolts.
- Tighten bolts in a crisscross fashion.

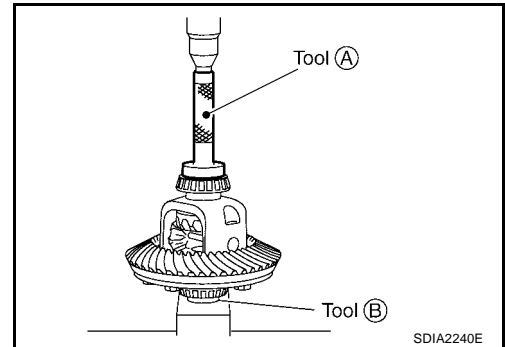


12. Press side bearing inner races to differential case using Tools.

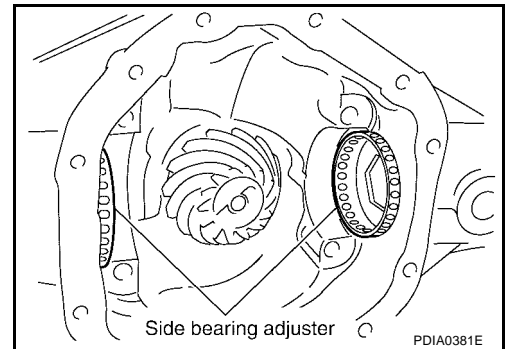
Tool number **A: KV38100300 (J-25523)**
 B: ST33081000 (—)

CAUTION:

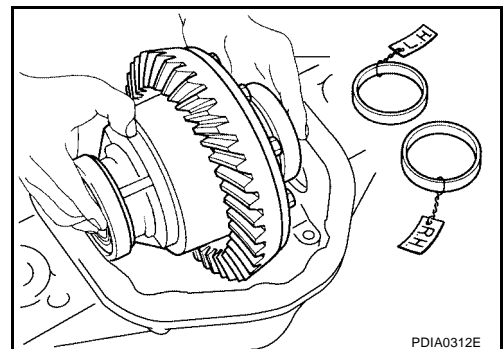
Do not reuse side bearing.



13. Install side bearing adjusters into axle housing.



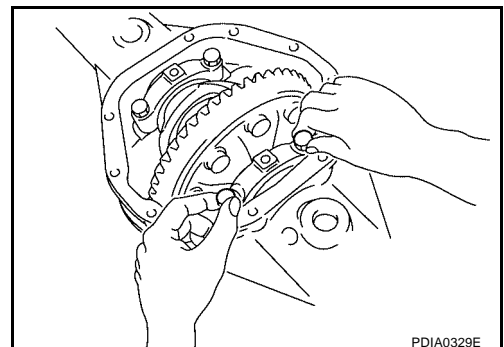
14. Apply gear oil to side bearings. Install differential case assembly with side bearing outer races into axle housing.



15. Align paint matching mark on side bearing caps with that on axle housing and install side bearing caps on axle housing.

CAUTION:

Do not tighten at this point. This allows further tightening of side bearing adjusters.



REAR FINAL DRIVE ASSEMBLY [M226 WITHOUT ELECTRONIC LOCKING DIFFEREN-

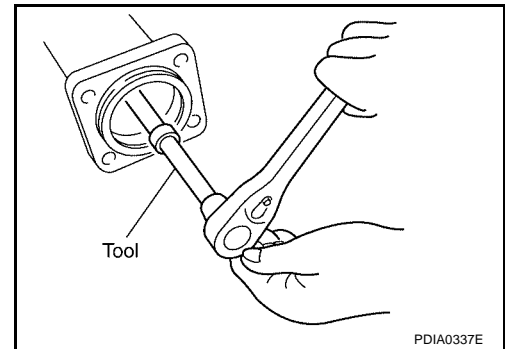
16. Tighten each side bearing adjuster using Tool.

Tool number : — (C-4164)

17. Adjust backlash of drive gear and drive pinion. Refer to [RFD-52, "Backlash"](#) .

18. Check total preload. Refer to [RFD-51, "Total Preload Torque"](#) .

19. Check tooth contact. Refer to [RFD-51, "Tooth Contact"](#) .



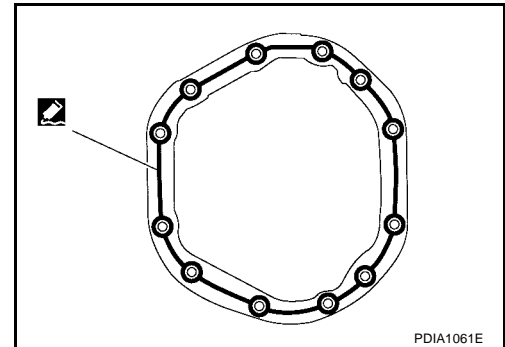
20. Apply sealant to mating surface of carrier cover.

- Use Genuine Silicone RTV or equivalent. Refer to [GI-48, "Recommended Chemical Products and Sealants"](#) .

CAUTION:

Remove old sealant adhering to mating surfaces. Also remove any moisture, oil, or foreign material adhering to application and mating surfaces.

21. Install carrier cover on axle housing and tighten carrier cover bolts with the specified torque. Refer to [RFD-50, "COMPONENTS"](#) .



A
B
C
RFD

E
F
G
H
I
J
K
L
M

**SERVICE DATA AND SPECIFICATIONS (SDS)
[M226 WITHOUT ELECTRONIC LOCKING DIFFEREN-**

SERVICE DATA AND SPECIFICATIONS (SDS)

PF0:00030

General Specifications

EDS00272

Applied model	VQ40DE		
	2WD	4WD	
		King cab	Double cab
Final drive model	6M/T M226		
Gear ratio	3.538		3.692
Number of pinion gears	2		
Number of teeth (Drive gear / drive pinion)	46/13	48/13	
Oil capacity (Approx.) ℓ (US pt, Imp pt)	2.01 (4-1/4, 3-1/2)		
Drive pinion adjustment spacer type	Collapsible		

**Inspection and Adjustment
DIFFERENTIAL SIDE GEAR CLEARANCE**

EDS00273

Unit: mm (in)

Item	Standard
Side gear backlash (Clearance between side gear and differential case)	0.305 (0.0120) or less. (Each gear should rotate smoothly without excessive resistance during differential motion.)

PRELOAD TORQUE

Unit: N·m (kg·m, in·lb)

Item	Specification	
	Gear ratio 3.538 type	Gear ratio 3.692 type
Total preload (Drive pinion torque to rotate plus)	2.49 - 4.57 (0.26 - 0.46, 22 - 40)	2.38 - 4.46 (0.25 - 0.45, 21 - 39)
Drive pinion bearing preload	1.7 - 3.1 (0.18 - 0.31, 15 - 27)	

BACKLASH

Unit: mm (in)

Item	Standard
Drive gear to drive pinion gear	0.08 - 0.13 (0.0031 - 0.0051)

COMPANION FLANGE RUNOUT

Unit: mm (in)

Item	Runout limit
Companion flange face	0.10 (0.0039) or less
Inner side of companion flange	0.13 (0.0051) or less

SERVICE DATA AND SPECIFICATIONS (SDS)
[M226 WITHOUT ELECTRONIC LOCKING DIFFEREN-

SELECTIVE PARTS

Side Gear Thrust Washer

Unit: mm (in)

Thickness	Package part number*
0.76 (0.030)	38424 8S101
0.79 (0.031)	
0.81 (0.032)	
0.84 (0.033)	
0.86 (0.034)	
0.89 (0.035)	38424 8S102
0.91 (0.036)	
0.94 (0.037)	
0.97 (0.038)	
0.99 (0.039)	

*Always check with the parts department for the latest parts information.

Drive Pinion Height Adjusting Washer

Unit: mm (in)

Thickness	Package part number*
0.076 (0.030)	38151 8S101
0.079 (0.031)	
0.081 (0.032)	
0.084 (0.033)	
0.086 (0.034)	
0.089 (0.035)	38151 8S102
0.091 (0.036)	
0.094 (0.037)	
0.097 (0.038)	
0.099 (0.039)	
0.102 (0.040)	38151 8S103
0.104 (0.041)	
0.107 (0.042)	
0.109 (0.043)	
0.112 (0.044)	
0.114 (0.045)	38151 8S104
0.117 (0.046)	
0.119 (0.047)	
0.122 (0.048)	
0.124 (0.049)	
0.127 (0.050)	38151 8S105
0.130 (0.051)	
0.132 (0.052)	
0.135 (0.053)	
0.137 (0.054)	

*Always check with the Parts Department for the latest parts information.

PRECAUTIONS

[M226 WITH ELECTRONIC LOCKING DIFFERENTIAL]

PRECAUTIONS

PFP:00001

Precautions for Supplemental Restraint System (SRS) “AIR BAG” and “SEAT BELT PRE-TENSIONER”

EDS00274

The Supplemental Restraint System such as “AIR BAG” and “SEAT BELT PRE-TENSIONER”, used along with a front seat belt, helps to reduce the risk or severity of injury to the driver and front passenger for certain types of collision. This system includes seat belt switch inputs and dual stage front air bag modules. The SRS system uses the seat belt switches to determine the front air bag deployment, and may only deploy one front air bag, depending on the severity of a collision and whether the front occupants are belted or unbelted. Information necessary to service the system safely is included in the SRS and SB section of this Service Manual.

WARNING:

- To avoid rendering the SRS inoperative, which could increase the risk of personal injury or death in the event of a collision which would result in air bag inflation, all maintenance must be performed by an authorized NISSAN/INFINITI dealer.
- Improper maintenance, including incorrect removal and installation of the SRS, can lead to personal injury caused by unintentional activation of the system. For removal of Spiral Cable and Air Bag Module, see the SRS section.
- Do not use electrical test equipment on any circuit related to the SRS unless instructed to in this Service Manual. SRS wiring harnesses can be identified by yellow and/or orange harnesses or harness connectors.

Precautions for Differential Case Assembly and Differential Lock Control Unit Replacement.

EDS003LG

- When replacing differential case assembly or differential lock control unit, check the DIFF LOCK indicator pattern and adjustment of the position between differential case assembly and differential lock control unit if necessary.

CHECK DIFF LOCK INDICATOR LAMP

1. Start engine. Run engine for at least 10 seconds.
2. Turn 4WD shift switch to "4LO" and confirm 4LO indicator lamp is turned on. Refer to [TF-16, "4WD SHIFT SWITCH AND INDICATOR LAMP"](#).
3. Stop vehicle and turn differential lock mode switch to "ON".
4. Drive vehicle at 7 km/h (4MPH) or less.

NOTE:

Differential case assembly must be given a rotation from rear left wheel and rear right wheel.

5. Check if DIFF LOCK indicator lamp flashes to turn on.
6. Check if DIFF LOCK indicator lamp and 4LO indicator lamp are changed properly as follows.

Differential lock mode switch	4LO indicator lamp	Vehicle speed (VSS)	Differential case assembly state	DIFF LOCK indicator lamp
ON	OFF	7km/h (4 MPH) < VSS	Disengage	Flash
		VSS ≤ 7 km/h (4 MPH)		
	ON	7km/h (4 MPH) < VSS	Disengage → Engage	Flash → ON
		VSS ≤ 7 km/h (4 MPH)		
OFF	OFF	7km/h (4 MPH) < VSS	Disengage	OFF
		VSS ≤ 7 km/h (4 MPH)		
	ON	7km/h (4 MPH) < VSS	Disengage	OFF
		VSS ≤ 7 km/h (4 MPH)		

- If each indication and state is OK, rear final drive assembly and differential lock control unit is working correctly.
- If each indication and state is NG, rear final drive assembly and differential lock control unit is not working correctly. Refer to [RFD-71, "METHOD FOR ADJUSTMENT"](#).

PRECAUTIONS

[M226 WITH ELECTRONIC LOCKING DIFFERENTIAL]

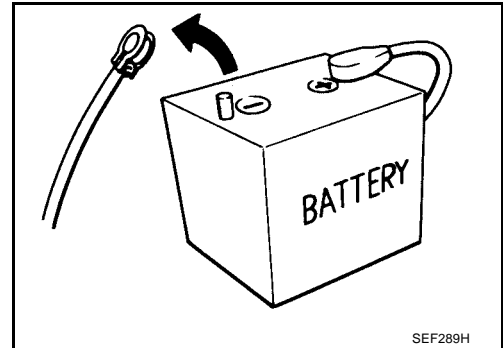
METHOD FOR ADJUSTMENT

1. Perform erase self-diagnosis with differential lock control unit. Refer to [RFD-90, "How to Erase Self-diagnostic Results"](#) .
2. Check differential lock control unit input/output signal. Refer to [RFD-86, "Differential Lock Control Unit Input/Output Signal Reference Values"](#) .
3. Check DIFF LOCK indicator lamp. Refer to [RFD-80, "DIFF LOCK INDICATOR LAMP"](#) .
 - If DIFF LOCK indicator lamp is not proper according to the above patterns.
Install new differential lock control unit or check for mechanical malfunction of rear final drive assembly and retry the above (DIFF LOCK indicator lamp) check.
(If differential lock control unit or rear final drive assembly is replaced from another vehicle, the new differential control unit must be replaced first.)

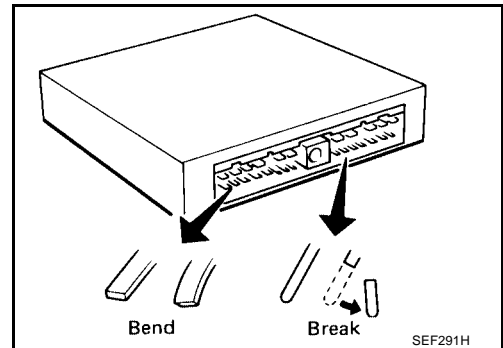
Precautions

EDS00275

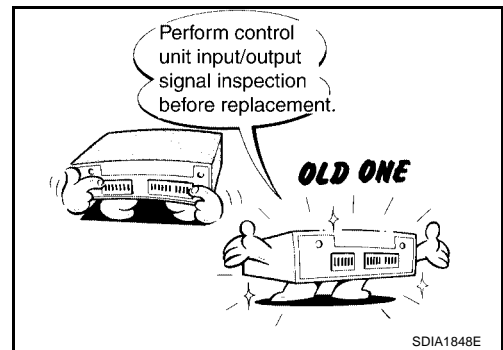
- Before connecting or disconnecting differential lock control unit harness connector, turn ignition switch "OFF" and disconnect the battery cable from the negative terminal. Because battery voltage is applied to differential lock control unit even if ignition switch is turned "OFF".



- When connecting or disconnecting pin connectors into or from differential lock control unit, take care not to damage pin terminals (bend or break). When connecting pin connectors make sure that there are not any bends or breaks on differential lock control unit pin terminal.



- Before replacing differential lock control unit, perform differential lock control unit input/output signal inspection and make sure whether differential lock control unit functions properly or not. Refer to [RFD-86, "Differential Lock Control Unit Input/Output Signal Reference Values"](#) .



Service Notice or Precaution

EDS00276

- Check for the correct installation status prior to removal or disassembly. If matching marks are required, be certain they do not interfere with the function of the parts when applied.
- Overhaul should be done in a clean work area, it is preferable to work in dust proof area.
- Before disassembly completely remove sand and mud from the exterior of the unit, preventing them from entering into the unit during disassembly or assembly.
- Check appearance of the disassembled parts for damage, deformation, and unusual wear. Replace them with a new ones if necessary.
- Gaskets, seals and O-rings should be replaced any time when the unit is disassembled.

A
B
C
RFD

E
F
G
H
I
J
K
L
M

PRECAUTIONS

[M226 WITH ELECTRONIC LOCKING DIFFERENTIAL]

- In principle, tighten bolts or nuts gradually in several steps working diagonally from inside to outside. If tightening sequence is specified, observe it.
- Clean and flush the parts sufficiently and blow-dry them.
- Do not damage sliding surfaces and mating surfaces.
- When applying sealant, remove the old sealant from the mating surface; then remove any moisture, oil, and foreign materials from the application and mating surfaces.
- Always use shop paper for cleaning the inside of components.
- Avoid using cotton gloves or shop rags to prevent entering of lint.
- During assembly, observe the specified tightening torque, and apply new differential gear oil, petroleum jelly, or multi-purpose grease as specified for each vehicle, if necessary.

PREPARATION [M226 WITH ELECTRONIC LOCKING DIFFERENTIAL]

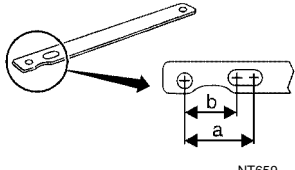
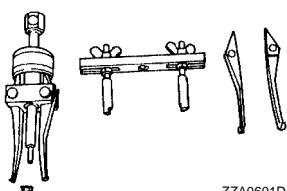
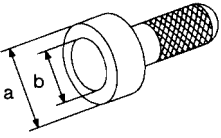
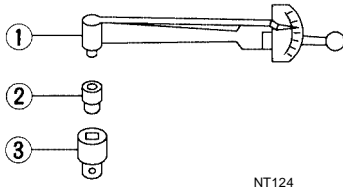
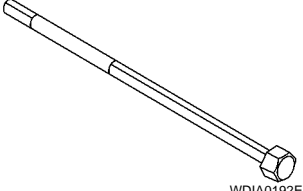
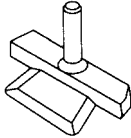
PREPARATION

PF0:00002

Special Service Tools

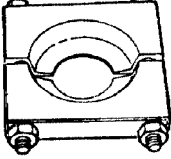
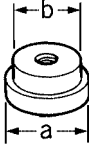
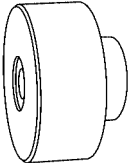
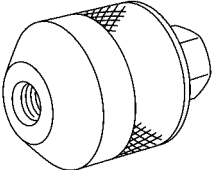

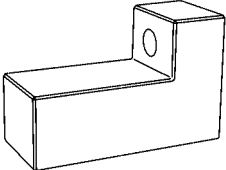

EDS00278

The actual shapes of Kent-Moore tools may differ from those of special service tools illustrated here.

Tool number (Kent-Moore No.) Tool name	Description
KV40104000 (—) Flange wrench <div style="text-align: center;">  <p>NT659</p> </div>	Removing and installing drive pinion nut a: 85 mm (3.35 in) dia. b: 65 mm (2.56 in) dia.
ST33290001 (J-34286) Puller <div style="text-align: center;">  <p>ZZA0601D</p> </div>	Removing front oil seal
ST15310000 (—) Drift <div style="text-align: center;">  <p>NT115</p> </div>	Installing front oil seal a: 96mm (3.77 in) dia. b: 84 mm (3.30 in) dia.
ST3127S000 (J-25765-A) Preload gauge set 1. GG91030000 (J-25765) Torque wrench 2. HT62940000 (1/2") (—) Socket adapter 3. HT62900000 (3/8") (—) Socket adapter <div style="text-align: center;">  <p>NT124</p> </div>	Inspecting drive pinion bearing preload and total preload
— (C - 4164) Adjuster tool <div style="text-align: center;">  <p>WDIA0192E</p> </div>	Removing and installing side bearing ad- juster
KV10111100 (J-37228) Seal cutter <div style="text-align: center;">  <p>S-NT046</p> </div>	Removing carrier cover

A
B
C
RFD
E
F
G
H
I
J
K
L
M

PREPARATION [M226 WITH ELECTRONIC LOCKING DIFFERENTIAL]

Tool number (Kent-Moore No.) Tool name	Description
ST30021000 (J-22912-01) Puller <div style="text-align: center;">  <p style="text-align: right; font-size: small;">ZZA0700D</p> </div>	Removing drive pinion rear bearing inner race
ST33081000 (—) Adapter <div style="text-align: center;">  <p style="text-align: right; font-size: small;">ZZA1000D</p> </div>	Removing and installing side bearing inner race a: 43 mm (1.69 in) dia. b: 33.5 mm (1.32 in) dia.
— (8144) Pinion block <div style="text-align: center;">  <p style="text-align: right; font-size: small;">SDIA2599E</p> </div>	Adjusting pinion gear height
— (6740) Cone <div style="text-align: center;">  <p style="text-align: right; font-size: small;">SDIA2601E</p> </div>	Adjusting pinion gear height
— (6741) Screw <div style="text-align: center;">  <p style="text-align: right; font-size: small;">SDIA2602E</p> </div>	Adjusting pinion gear height
— (6739) Pinion height lock <div style="text-align: center;">  <p style="text-align: right; font-size: small;">SDIA2603E</p> </div>	Adjusting pinion gear height
— (D-115-2) Scooter block <div style="text-align: center;">  <p style="text-align: right; font-size: small;">SDIA2604E</p> </div>	Adjusting pinion gear height

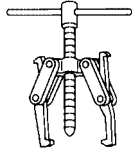
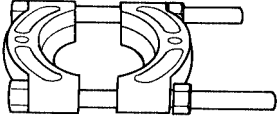
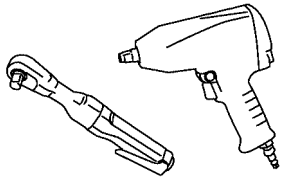
PREPARATION [M226 WITH ELECTRONIC LOCKING DIFFERENTIAL]

Tool number (Kent-Moore No.) Tool name	Description	
— (8541A-1) Arbor disc	Adjusting pinion gear height	A B C
— (D-115-3) Arbor	Adjusting pinion gear height	RFD E
ST01500001 (—) Drift	Installing drive pinion rear bearing outer race a: 89 mm (3.50 in) dia. b: 79 mm (3.11 in) dia.	F G H
ST30022000 (—) Drift	Installing drive pinion rear bearing outer race a: 46 mm (1.81 in) dia. b: 110 mm (4.33 in) dia.	I J
ST33022000 (—) Drift	Installing drive pinion front bearing outer race a: 49 mm (1.92 in) dia. b: 67 mm (2.63 in) dia.	K L
— (C-4040) Installer	Installing drive pinion rear bearing inner race	M
KV38100300 (J-25523) Drift	Installing side bearing inner race a: 54 mm (2.13 in) dia. b: 46 mm (1.81 in) dia. c: 32 mm (1.26 in) dia.	

PREPARATION [M226 WITH ELECTRONIC LOCKING DIFFERENTIAL]

Commercial Service Tools

EDS00279

Tool name	Description
Puller  NT077	Removing companion flange and side bearing inner race
Puller  ZZB0823D	Removing side bearing inner race
Power tool  PBIC0190E	Loosening bolts and nuts

NOISE, VIBRATION AND HARSHNESS (NVH) TROUBLESHOOTING [M226 WITH ELECTRONIC LOCKING DIFFERENTIAL]

NOISE, VIBRATION AND HARSHNESS (NVH) TROUBLESHOOTING

PF0:0003

NVH Troubleshooting Chart

EDS0027A

Use the chart below to help you find the cause of the symptom. If necessary, repair or replace these parts.

Symptom		Possible cause and SUSPECTED PARTS												
Noise		Gear tooth rough	Gear contact improper	Tooth surfaces worn	Backlash incorrect	Companion flange excessive runout	Gear oil improper	PROPELLER SHAFT	AXLE AND SUSPENSION	TIRES	ROAD WHEEL	AXLE SHAFT	BRAKES	STEERING
Reference page		—	RFD-118, "Tooth Contact"	—	RFD-119, "Backlash"	RFD-120, "Companion Flange Runout"	RFD-78, "Checking Differential Gear Oil"	PR-3, "NVH Troubleshooting Chart"	RAX-5, "NVH Troubleshooting Chart", RSU-4, "NVH Troubleshooting Chart"	WT-4, "NVH Troubleshooting Chart"	RAX-5, "NVH Troubleshooting Chart"	BR-5, "NVH Troubleshooting Chart"	PS-5, "NVH Troubleshooting Chart"	
		x	x	x	x	x	x	x	x	x	x	x	x	x

x: Applicable

A
B
C
RFD
E
F
G
H
I
J
K
L
M

DIFFERENTIAL GEAR OIL

[M226 WITH ELECTRONIC LOCKING DIFFERENTIAL]

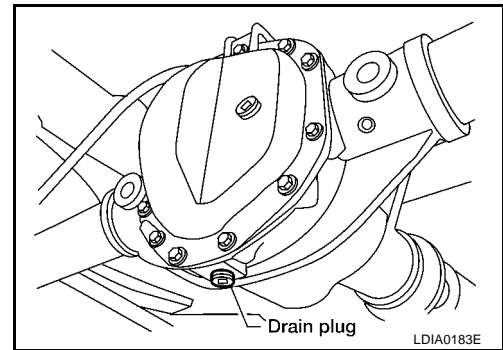
PPF:KLD30

DIFFERENTIAL GEAR OIL

Changing Differential Gear Oil DRAINING

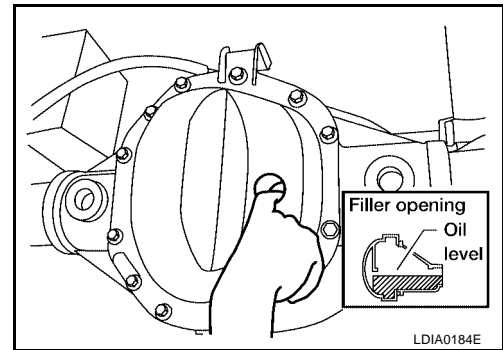
EDS0027B

1. Stop engine.
2. Remove drain plug and drain gear oil.
3. Apply sealant to drain plug. Install drain plug to final drive assembly and tighten to the specified torque. Refer to [RFD-50, "COMPONENTS"](#).
 - Use Genuine Silicone RTV or equivalent. Refer to [GI-48, "Recommended Chemical Products and Sealants"](#).



FILLING

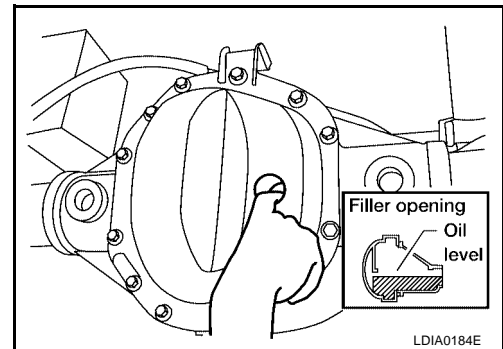
1. Remove filler plug. Fill with new gear oil until oil level reaches the specified limit near filler plug hole.
 - Oil grade and Viscosity:**
Refer to [MA-11, "Fluids and Lubricants"](#).
 - Oil capacity:**
Refer to [MA-11, "Fluids and Lubricants"](#).
2. After refilling oil, check oil level. Apply sealant to filler plug. Install filler plug to final drive assembly and tighten to the specified torque. Refer to [RFD-50, "COMPONENTS"](#).
 - Use Genuine Silicone RTV or equivalent. Refer to [GI-48, "Recommended Chemical Products and Sealants"](#).



Checking Differential Gear Oil OIL LEAKAGE AND OIL LEVEL

EDS0027C

1. Make sure that gear oil is not leaking from final drive assembly or around it.
2. Check oil level from filler plug hole as shown.
 - CAUTION:**
Do not start engine while checking oil level.
3. Apply sealant to filler plug. Install filler plug to final drive assembly and tighten to the specified torque. Refer to [RFD-50, "COMPONENTS"](#).
 - Use Genuine Silicone RTV or equivalent. Refer to [GI-48, "Recommended Chemical Products and Sealants"](#).



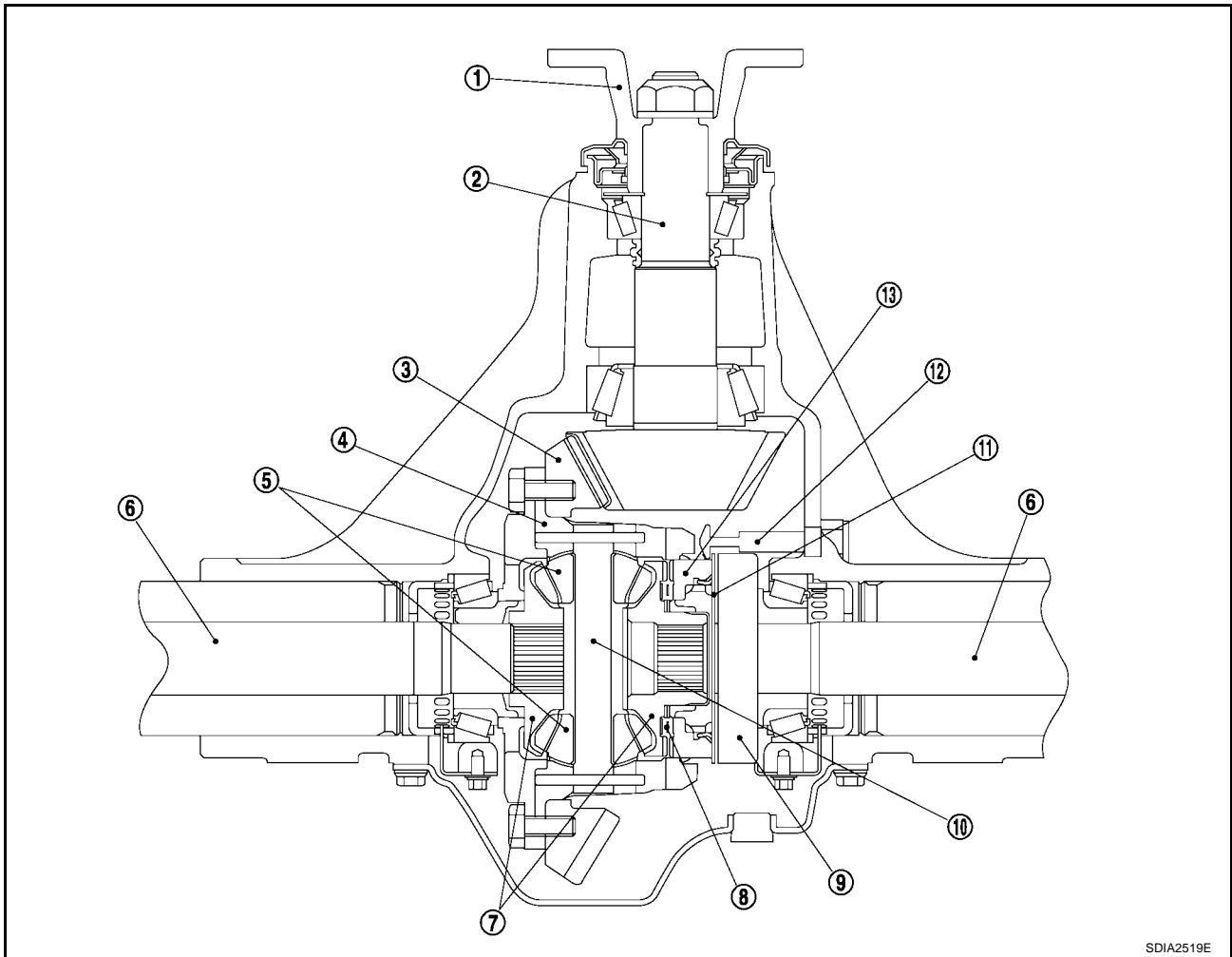
DIFFERENTIAL LOCK SYSTEM [M226 WITH ELECTRONIC LOCKING DIFFERENTIAL]

DIFFERENTIAL LOCK SYSTEM

PF2:28496

Cross-sectional View

EDS0027D



- | | | |
|-----------------------|---------------------|---------------------------------------|
| 1. Companion flange | 2. Drive pinion | 3. Drive gear |
| 4. Differential case | 5. Pinion mate gear | 6. Axle shaft |
| 7. Side gear | 8. Spring | 9. Differential lock solenoid |
| 10. Pinion mate shaft | 11. Pressure plate | 12. Differential lock position switch |
| 13. Cam ring | | |

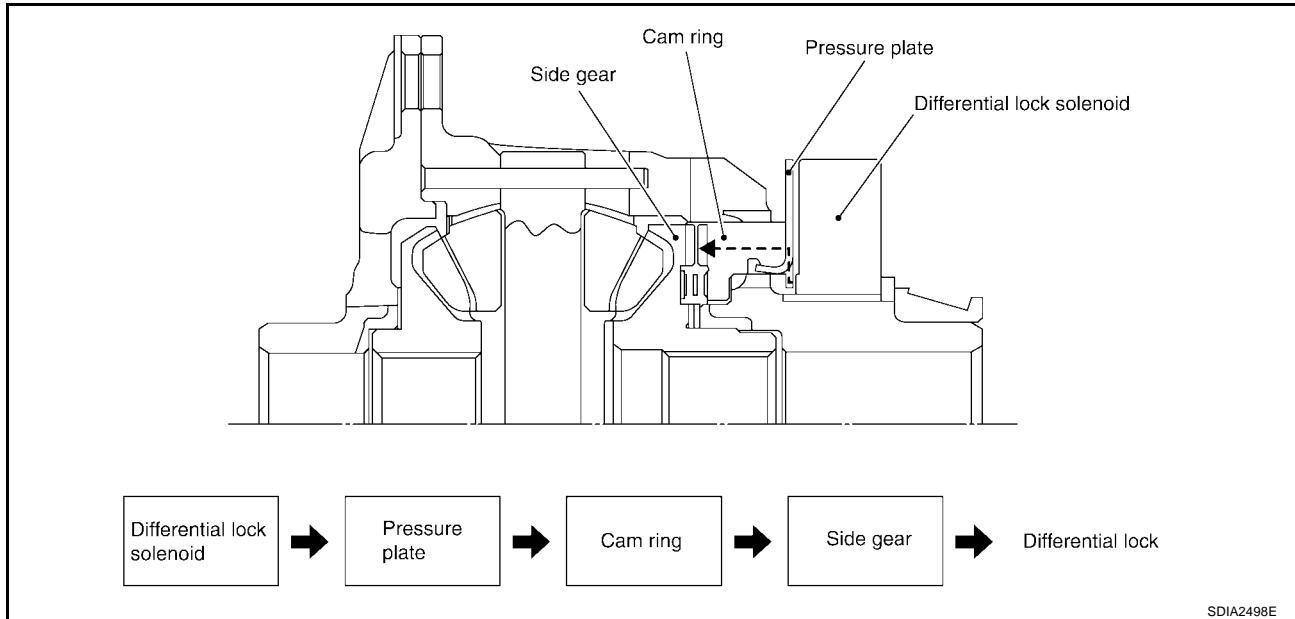
SDIA2519E

A
B
C
RFD
E
F
G
H
I
J
K
L
M

DIFFERENTIAL LOCK SYSTEM [M226 WITH ELECTRONIC LOCKING DIFFERENTIAL]

Differential Lock Operation

EDS0027E



SDIA2498E

1. Differential lock solenoid operates pressure plate.
2. Pressure plate presses cam ring.
3. Engage cam ring and side gear, and then differential is locked.

System Description

EDS0027F

DIFFERENTIAL LOCK SOLENOID

It is operated by signal from differential lock control unit, and it operates pressure plate so as to switch lock/unlock.

DIFFERENTIAL LOCK POSITION SWITCH

It detects that differential is in lock or unlock by pressure plate position, and sends it to differential lock control unit.

DIFFERENTIAL LOCK CONTROL UNIT

- Differential lock control unit controls differential lock solenoid by input signals of each sensor and each switch.
- As a fail-safe function, differential lock disengages, if malfunction is detected in differential lock system.
- Self-diagnosis can be done with CONSULT-II.

DIFFERENTIAL LOCK MODE SWITCH

Able to select differential lock and unlock.

DIFF LOCK INDICATOR LAMP

The following is the indications of indicator lamp.

Condition	DIFF LOCK indicator lamp
Differential lock/unlock	ON/OFF
Differential lock standby condition	Flashing: 1 time/2 seconds
Differential lock system malfunction	OFF (Even if differential lock mode switch is turned ON)
Lamp check	Turns ON when ignition switch is turned ON. Turns OFF after engine start.

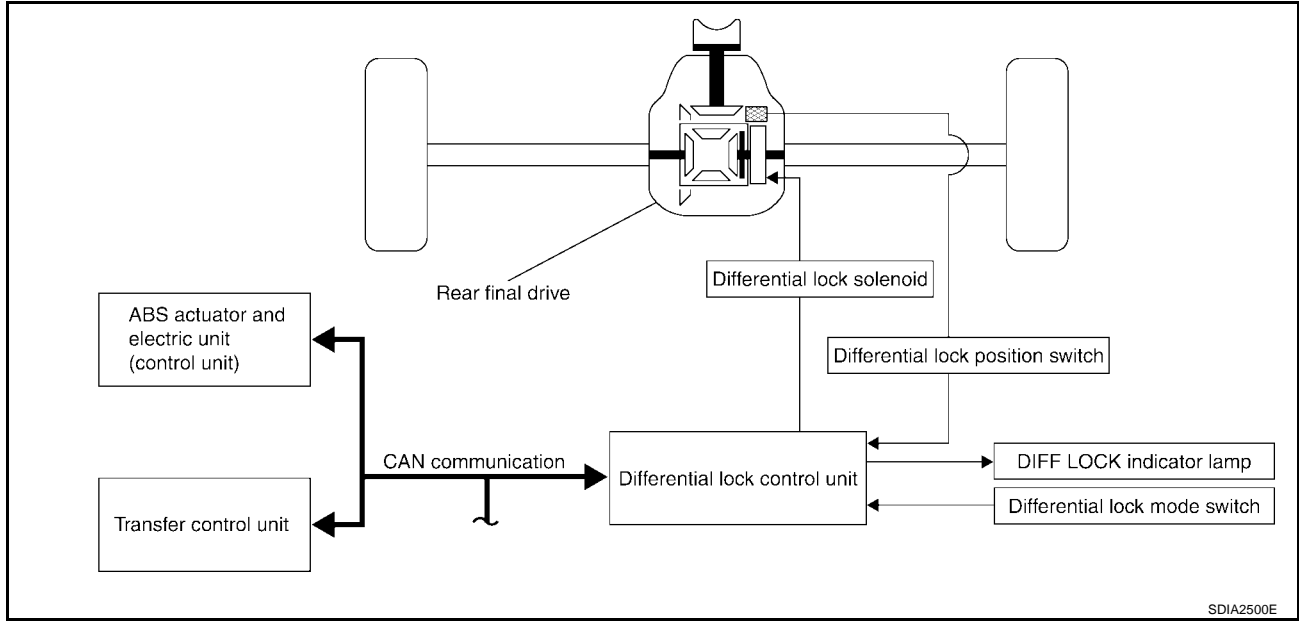
NOTE:

Differential lock standby condition is the condition that differential lock mode switch is ON and differential is unlocked.

DIFFERENTIAL LOCK SYSTEM [M226 WITH ELECTRONIC LOCKING DIFFERENTIAL]

System Diagram

EDS0027G



COMPONENTS FUNCTION DESCRIPTION

Component parts	Function
Differential lock control unit	<ul style="list-style-type: none"> Controls differential lock solenoid and switches differential lock/unlock. As a fail-safe function, differential lock disengages, if malfunction is detected in differential lock system.
Differential lock solenoid	Controls pressure plate by current from differential lock control unit.
Differential lock position switch	Detects that differential is lock or unlock condition.
Differential lock mode switch	Able to select differential lock or unlock.
DIFF LOCK indicator lamp	Illuminates that differential is in lock or lock standby condition.
ABS actuator and electric unit (control unit)	Transmits the following signals via CAN communication to differential lock control unit. <ul style="list-style-type: none"> Vehicle speed signal VDC operation signal
Transfer control unit	Transmits the following signal via CAN communication to differential lock control unit. <ul style="list-style-type: none"> 4WD shift switch signal

CAN Communication SYSTEM DESCRIPTION

EDS0027H

Refer to [LAN-27, "CAN Communication Unit"](#) .

TROUBLE DIAGNOSIS

[M226 WITH ELECTRONIC LOCKING DIFFERENTIAL]

TROUBLE DIAGNOSIS

PF0:00004

Fail-safe Function

EDS0027I

If any malfunction occurs in the differential lock system, and the control unit detects the malfunction, the DIFF LOCK indicator lamp on the combination meter does not turn ON to indicate system malfunction. The differential lock control unit turns the differential lock solenoid OFF.

How to Perform Trouble Diagnosis

EDS0027J

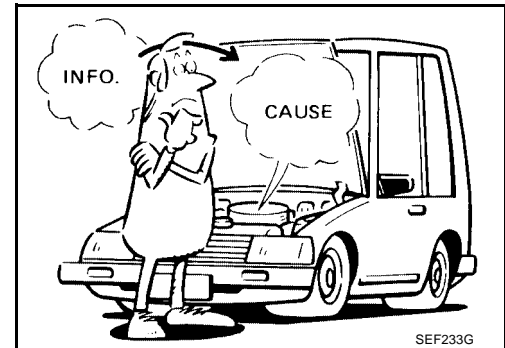
BASIC CONCEPT

- To perform trouble diagnosis, it is most important to have understanding about the vehicle systems (control and mechanism) thoroughly.
- It is also important to clarify customer complaints before inspection.

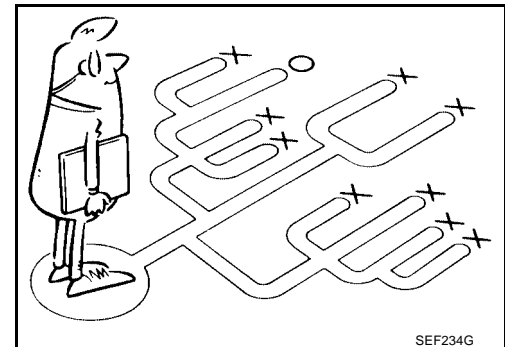
First of all, reproduce symptoms, and understand them fully. Ask customer about his/her complaints carefully. In some cases, it will be necessary to check symptoms by driving vehicle with customer.

CAUTION:

Customers are not professional. It is dangerous to make an easy guess like "maybe the customer means that...," or "maybe the customer mentions this symptom".



- It is essential to check symptoms right from the beginning in order to repair malfunctions completely. For intermittent malfunctions, reproduce symptoms based on interview with customer and past examples. Do not perform inspection on ad hoc basis. Most intermittent malfunctions are caused by poor contacts. In this case, it will be effective to shake suspected harness or connector by hand. When repairing without any symptom diagnosis, you cannot judge if malfunctions have actually been eliminated.
- After completing diagnosis, always erase diagnostic memory. Refer to [RFD-90, "How to Erase Self-diagnostic Results"](#).
- For intermittent malfunctions, move harness or harness connector by hand. Then check for poor contact or reproduced open circuit.

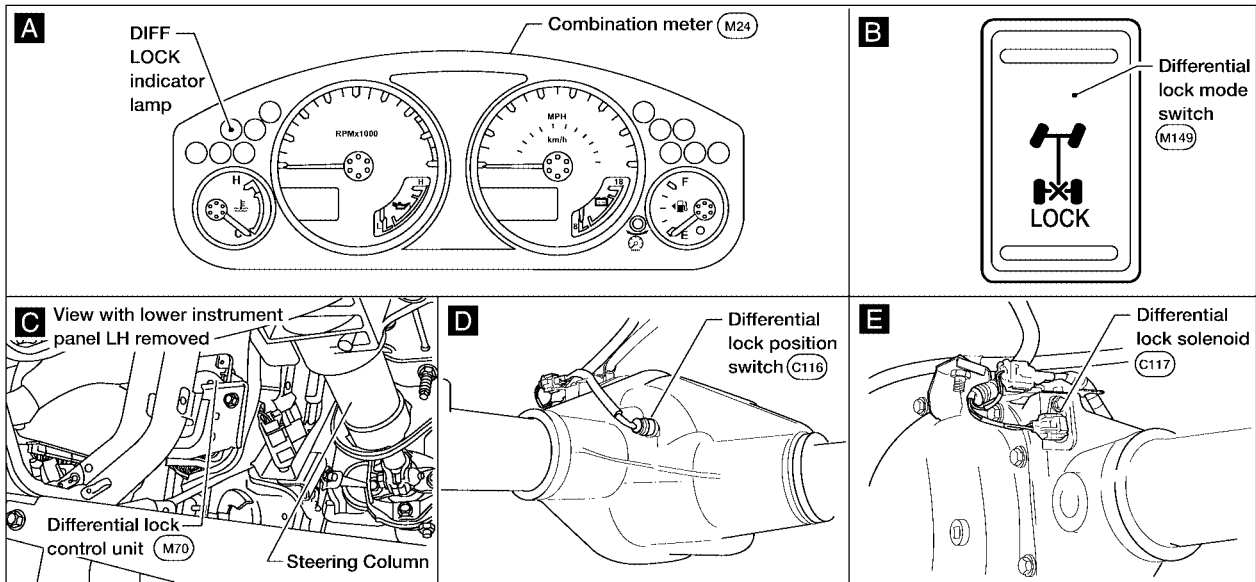
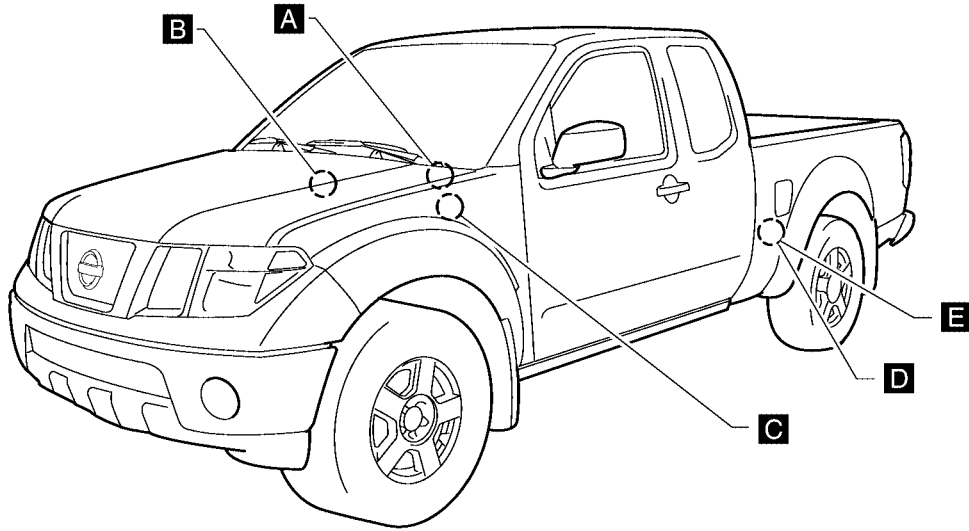


TROUBLE DIAGNOSIS

[M226 WITH ELECTRONIC LOCKING DIFFERENTIAL]

Location of Electrical Parts

EDS0027K



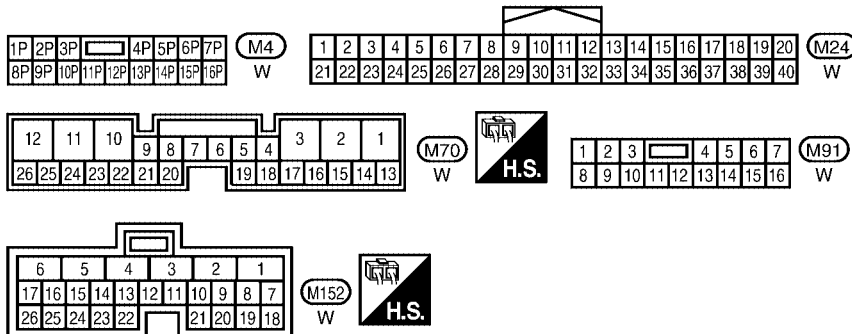
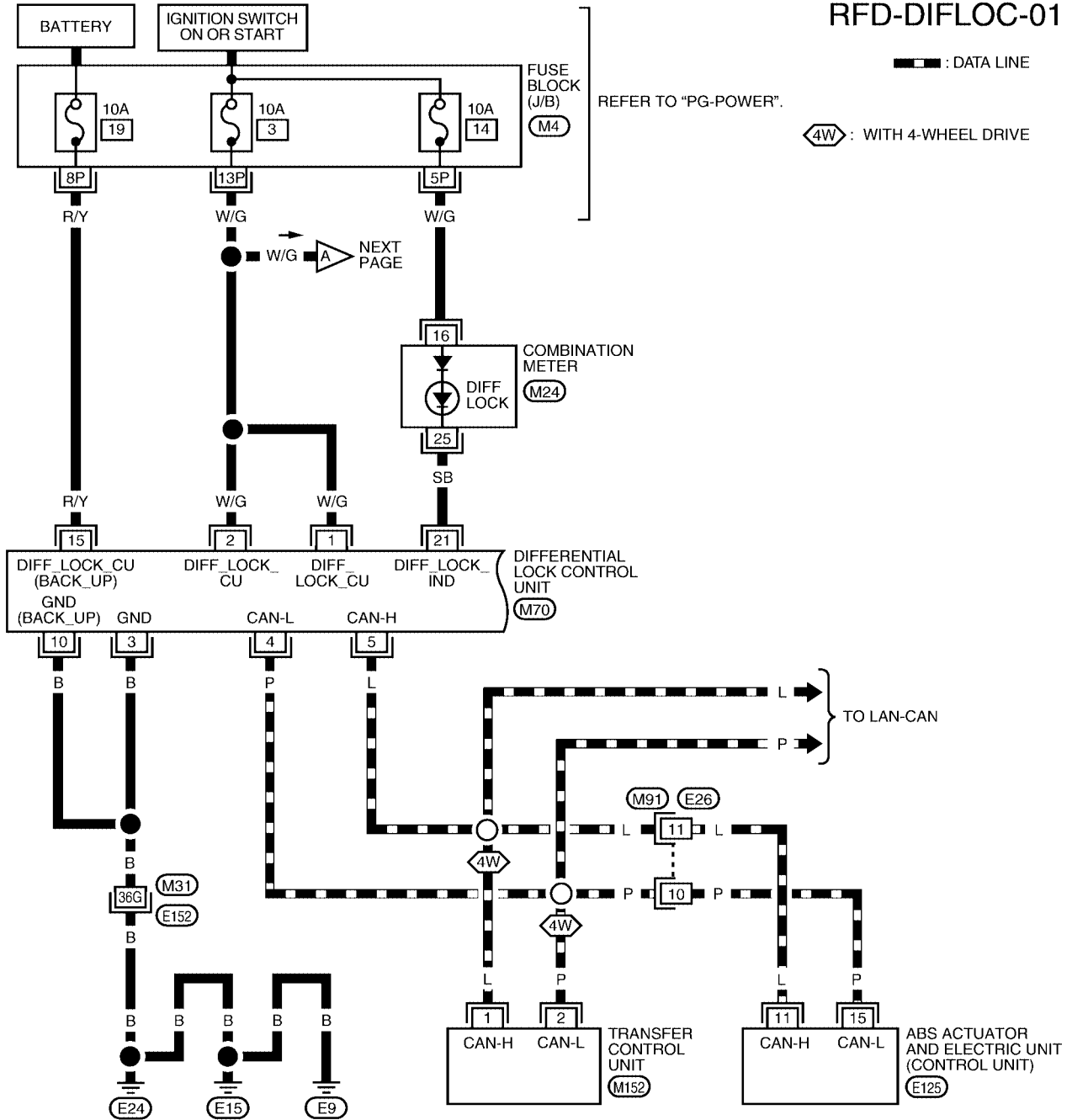
A
 B
 C
RFD
 E
 F
 G
 H
 I
 J
 K
 L
 M

TROUBLE DIAGNOSIS [M226 WITH ELECTRONIC LOCKING DIFFERENTIAL]

Wiring Diagram — DIFLOC —

EDS0027L

RFD-DIFLOC-01



REFER TO THE FOLLOWING.

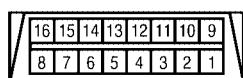
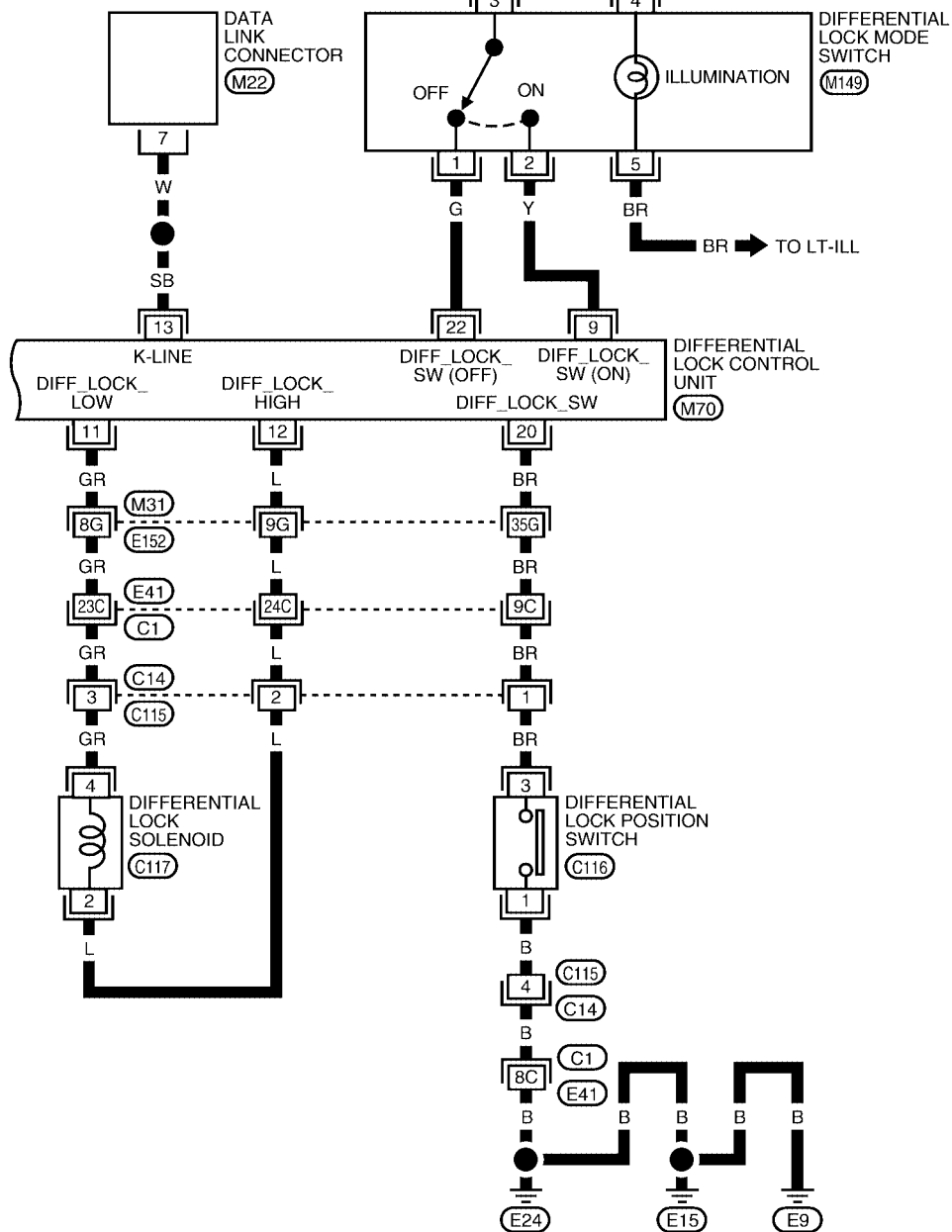
- M31 - SUPER MULTIPLE JUNCTION (SMJ)
- E125 - ELECTRICAL UNITS

BDWA0078E

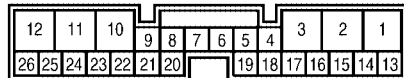
TROUBLE DIAGNOSIS

[M226 WITH ELECTRONIC LOCKING DIFFERENTIAL]

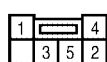
PRECEDING PAGE A W/G R TO LT-ILL **RFD-DIFLOC-02**



(M22) W



(M70) W



(M149) W



(C14) GR



(C116) GR



(C117) B

REFER TO THE FOLLOWING.
 (M31), (C1) - SUPER
 MULTIPLE JUNCTION (SMJ)

BDWA0054E

TROUBLE DIAGNOSIS

[M226 WITH ELECTRONIC LOCKING DIFFERENTIAL]

EDS0027M

Trouble Diagnosis Chart for Symptoms

With the Differential Mode Switch in the ON position, if the DIFF LOCK indicator lamp does not turn ON after the engine starts, perform self-diagnosis. Refer to [RFD-89, "SELF-DIAG RESULTS MODE"](#).

Symptom	Condition	Check item	Reference page
DIFF LOCK indicator lamp does not turn ON. (DIFF LOCK indicator lamp check)	Ignition switch: ON	CAN communication line	RFD-105
		Power supply and ground for differential lock control unit	
		Combination meter	
DIFF LOCK indicator lamp does not change.	<ul style="list-style-type: none"> ● Engine running ● Differential lock mode switch: ON 	Combination meter	RFD-108
		Differential lock mode switch	
		CAN communication line	
DIFF LOCK indicator lamp sometimes flashes.	<ul style="list-style-type: none"> ● Engine running ● Differential lock mode switch: ON 	Combination meter	RFD-109
		Differential lock mode switch	
		Differential lock position switch	
		Differential inner parts	

Differential Lock Control Unit Input/Output Signal Reference Values

EDS0027N

DIFFERENTIAL LOCK CONTROL UNIT INSPECTION TABLE

Specifications with CONSULT-II

Monitor item [Unit]	Content	Condition	Display value
BATTERY VOLT [V]	Power supply voltage for differential lock control unit	Ignition switch: ON	Battery voltage
4WD MODE [2H/4H/4Lo]	Condition of 4WD shift switch	4WD shift switch (Engine running)	2H
			4H
			4Lo
VHCL S/SEN-R [km/h] or [mph]	Wheel speed (Rear wheel right)	Vehicle stopped	0 km/h (0 mph)
		Vehicle running CAUTION: Check air pressure of tire under standard condition.	Approximately equal to the indication on speedometer (Inside of ±10%)
VHCL S/SEN-L [km/h] or [mph]	Wheel speed (Rear wheel left)	Vehicle stopped	0 km/h (0 mph)
		Vehicle running CAUTION: Check air pressure of tire under standard condition.	Approximately equal to the indication on speedometer (Inside of ±10%)
VHCL S/SEN-RL [km/h] or [mph]	Wheel speed (Average value of rear wheel right and left)	Vehicle stopped	0 km/h (0 mph)
		Vehicle running CAUTION: Check air pressure of tire under standard condition.	Approximately equal to the indication on speedometer (Inside of ±10%)
D-LOCK SW SIG [ON/OFF]	Condition of differential lock mode switch	Differential lock mode switch: ON	ON
		Differential lock mode switch: OFF	OFF
D-LOCK SIG [ON/OFF]	Control status of differential lock	<ul style="list-style-type: none"> ● Vehicle stopped ● Engine running ● VDC OFF switch (if equipped): ON ● 4WD shift switch: 4LO 	Differential lock mode switch: ON
			Differential lock mode switch: OFF

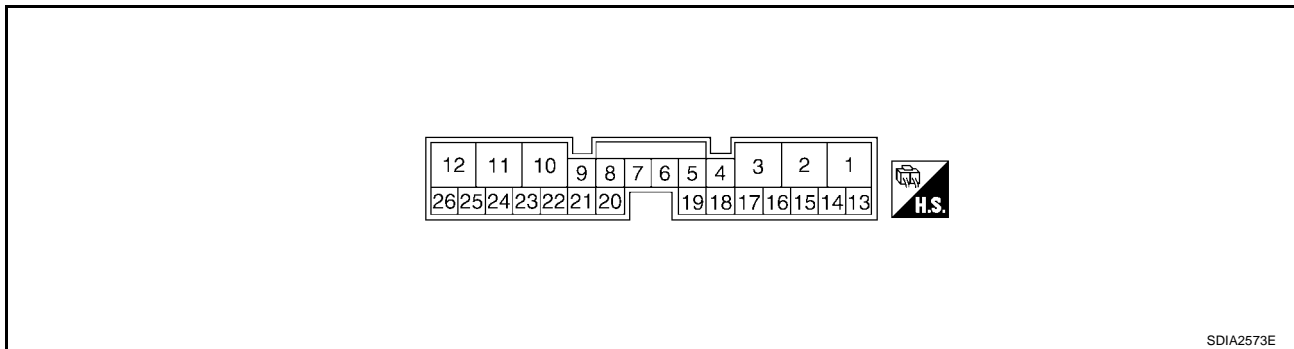
TROUBLE DIAGNOSIS

[M226 WITH ELECTRONIC LOCKING DIFFERENTIAL]

Monitor item [Unit]	Content	Condition		Display value
RELAY ON [ON/OFF]	Operating condition of differential lock solenoid relay (integrated in differential lock control unit)	<ul style="list-style-type: none"> Vehicle stopped Engine running VDC OFF switch (if equipped): ON 4WD shift switch: 4LO 	Differential lock mode switch: ON	ON
			Differential lock mode switch: OFF	OFF
RELAY MTR [ON/OFF]	Control status of differential lock solenoid relay (integrated in differential lock control unit)	<ul style="list-style-type: none"> Vehicle stopped Engine running VDC OFF switch (if equipped): ON 4WD shift switch: 4LO 	Differential lock mode switch: ON	ON
			Differential lock mode switch: OFF	OFF
SOL MTR [ON/OFF]	Control status of differential lock solenoid	<ul style="list-style-type: none"> Vehicle stopped Engine running VDC OFF switch (if equipped): ON 4WD shift switch: 4LO 	Differential lock mode switch: ON	ON
			Differential lock mode switch: OFF	OFF
IND MTR [ON/OFF]	Control status of DIFF LOCK indicator lamp	DIFF LOCK indicator lamp: ON		ON
		DIFF LOCK indicator lamp: OFF		OFF
D-LOCK POS SW [ON/OFF]	Condition of differential lock position switch	<ul style="list-style-type: none"> Vehicle stopped Engine running VDC OFF switch (if equipped): ON 4WD shift switch: 4LO 	Differential lock mode switch: ON (DIFF LOCK indicator lamp: ON)	ON
			Differential lock mode switch: OFF (DIFF LOCK indicator lamp: OFF)	OFF

Specifications Between Differential Lock Control Unit Terminals

DIFFERENTIAL LOCK CONTROL UNIT TERMINAL CONNECTOR LAYOUT



Data are reference value and are measured between each terminal and ground.

Terminal	Wire color	Item	Condition	Data (Approx.)	
1	W/G	Power supply	Ignition switch: ON	Battery voltage	
			Ignition switch: OFF	0V	
2	W/G	Power supply	Ignition switch: ON	Battery voltage	
			Ignition switch: OFF	0V	
3	B	Ground	Always	0V	
4	P	CAN-L	-	-	
5	L	CAN-H	-	-	
9	Y	Differential lock mode switch (ON)	Ignition switch: ON	Differential lock mode switch: ON	Battery voltage
				Differential lock mode switch: OFF	0V

TROUBLE DIAGNOSIS

[M226 WITH ELECTRONIC LOCKING DIFFERENTIAL]

Terminal	Wire color	Item	Condition	Data (Approx.)	
10	B	Ground	Always	0V	
11	GR	Differential lock solenoid (-)	<ul style="list-style-type: none"> ● Vehicle stopped ● Engine running ● VDC OFF switch (if equipped): ON ● 4WD shift switch: 4LO 	Differential lock mode switch: ON	0V
				Differential lock mode switch: OFF	Battery voltage
12	L	Differential lock solenoid (+)	<ul style="list-style-type: none"> ● Vehicle stopped ● Engine running ● VDC OFF switch (if equipped): ON ● 4WD shift switch: 4LO 	Differential lock mode switch: ON	Battery voltage
				Differential lock mode switch: OFF	0V
13	SB	K-LINE (CONSULT-II signal)	-	-	
15	R/Y	Power supply (Memory back-up)	Ignition switch: ON	Battery voltage	
			Ignition switch: OFF	Battery voltage	
20	BR	Differential lock position switch	<ul style="list-style-type: none"> ● Vehicle stopped ● Engine running ● VDC OFF switch (if equipped): ON ● 4WD shift switch: 4LO 	Differential lock mode switch: ON (DIFF LOCK indicator lamp: ON)	0V
				Differential lock mode switch: OFF (DIFF LOCK indicator lamp: OFF)	Battery voltage
21	SB	DIFF LOCK indicator lamp	Ignition switch: ON	DIFF LOCK indicator lamp: ON	0V
				DIFF LOCK indicator lamp: OFF	Battery voltage
22	G	Differential lock mode switch (OFF)	Ignition switch: ON	Differential lock mode switch: ON	0V
				Differential lock mode switch: OFF	Battery voltage

CAUTION:

When using a circuit tester to measure voltage for inspection, be sure not to extend forcibly any connector terminals.

CONSULT-II Function (DIFF LOCK) FUNCTION

EDS00270

CONSULT-II can display each diagnostic item using the diagnostic test modes shown following.

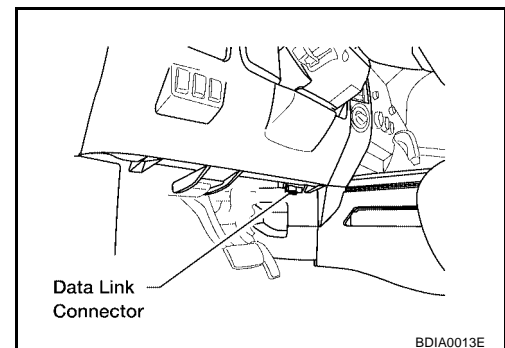
DIFF LOCK diagnostic mode	Description
SELF-DIAG RESULTS	Displays differential lock control unit self-diagnosis results.
DATA MONITOR	Displays differential lock control unit input/output data in real time.
CAN DIAG SUPPORT MNTR	The result of transmit/receive diagnosis of CAN communication can be read.

CONSULT-II SETTING PROCEDURE

CAUTION:

If CONSULT-II is used with no connection of CONSULT-II CONVERTER, malfunctions might be detected in self-diagnosis depending on control unit which carries out CAN communication.

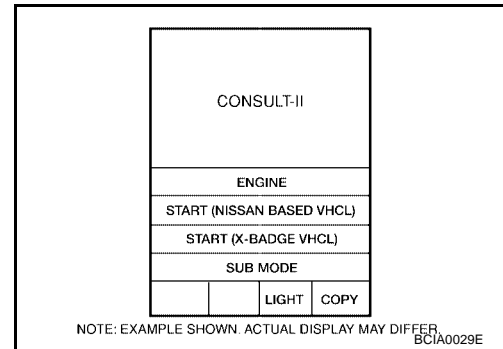
- For details, refer to the separate "CONSULT-II Operations Manual".
1. Turn ignition switch OFF.
 2. Connect CONSULT-II and CONSULT-II CONVERTER to data link connector on vehicle.
 3. Turn ignition switch ON.



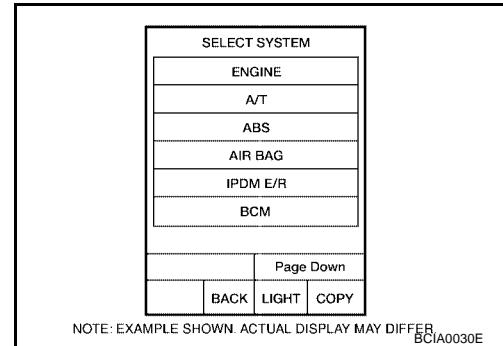
TROUBLE DIAGNOSIS

[M226 WITH ELECTRONIC LOCKING DIFFERENTIAL]

4. Touch "START (NISSAN BASED VHCL)".



5. Touch "DIFF LOCK".
If "DIFF LOCK" is not indicated, go to [GI-41, "CONSULT-II Data Link Connector \(DLC\) Circuit"](#).
6. Perform each diagnostic test mode according to each service procedure.



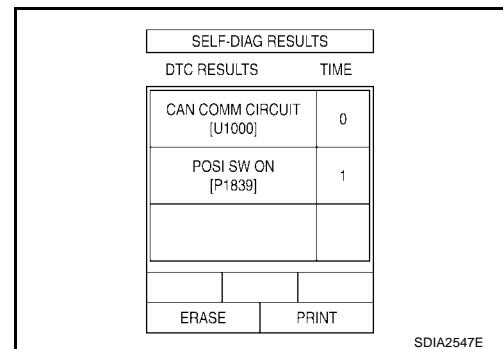
SELF-DIAG RESULTS MODE

Operation Procedure

- Perform "CONSULT-II SETTING PROCEDURE". Refer to [RFD-88, "CONSULT-II SETTING PROCEDURE"](#).
- With engine at idle, touch "SELF-DIAG RESULTS".
Display shows malfunction experienced since the last erasing operation.

NOTE:

- The details for "TIME" are as follow:
 - "0": Error currently detected with differential lock control unit.
 - Except for "0": Error detected in the past and memorized with differential lock control unit.
Detects frequency of driving after DTC occurs (frequency of turning ignition switch "ON/OFF").



Display Item List

Items (CONSULT-II screen terms)	Diagnostic item is detected when...	Check item
INITIAL START [P1833]	<ul style="list-style-type: none"> Due to removal of battery which cuts off power supply to differential control unit, self-diagnosis memory function is suspended. 	RFD-92, "Power Supply Circuit For Differential Lock Control Unit"
CONTROL UNIT 1 [P1834]	<ul style="list-style-type: none"> Malfunction is detected in the memory (RAM) system of differential lock control unit. 	RFD-93, "Differential Lock Control Unit"
CONTROL UNIT 2 [P1835]	<ul style="list-style-type: none"> Malfunction is detected in the memory (ROM) system of differential lock control unit. 	RFD-93, "Differential Lock Control Unit"
CONTROL UNIT 3 [P1836]	<ul style="list-style-type: none"> Malfunction is detected in the memory (EEPROM) system of differential lock control unit. 	RFD-93, "Differential Lock Control Unit"
CONTROL UNIT 4 [P1837]	<ul style="list-style-type: none"> AD converter system of differential lock control unit is malfunctioning. 	RFD-93, "Differential Lock Control Unit"
ON SW [P1838]	<ul style="list-style-type: none"> More than two switch inputs are simultaneously detected due to short circuit of differential lock mode switch. 	RFD-94, "Differential Lock Mode Switch"

TROUBLE DIAGNOSIS

[M226 WITH ELECTRONIC LOCKING DIFFERENTIAL]

Items (CONSULT-II screen terms)	Diagnostic item is detected when...	Check item
POSI SW ON [P1839]	<ul style="list-style-type: none"> When differential lock position switch is ON, rotation difference occurs in wheel speed (rear wheel right and left). 	RFD-97, "Differential Lock Position Switch"
RELAY [P1844]	<ul style="list-style-type: none"> Differential lock control unit detects as irregular by comparing target value with monitor value. 	RFD-99, "Differential Lock Solenoid Relay" , RFD-100, "Differential Lock Solenoid"
SOL CIRCUIT [P1847]	<ul style="list-style-type: none"> Malfunction is detected in differential lock control unit internal circuit. 	RFD-100, "Differential Lock Solenoid"
SOL DISCONNECT [P1848]	<ul style="list-style-type: none"> Differential lock solenoid internal circuit or harness is open. Differential lock solenoid relay does not switch to ON position. 	RFD-100, "Differential Lock Solenoid"
SOL SHORT [P1849]	<ul style="list-style-type: none"> Differential lock solenoid internal circuit or harness is shorted. 	RFD-100, "Differential Lock Solenoid"
SOL CURRENT [P1850]	<ul style="list-style-type: none"> Differential lock solenoid relay does not switch to OFF position. 	RFD-100, "Differential Lock Solenoid"
ABS SYSTEM [C1203]	<ul style="list-style-type: none"> Malfunction related to wheel sensor has been detected by ABS actuator and electric unit (control unit). 	RFD-103, "ABS System"
CAN COMM CIRCUIT [U1000]	<ul style="list-style-type: none"> Malfunction has been detected from CAN communication line. 	RFD-104, "CAN Communication Line"
NO DTC IS DETECTED. FURTHER TESTING MAY BE REQUIRED.	<ul style="list-style-type: none"> No NG item has been detected. 	—

CAUTION:

If "CAN COMM CIRCUIT [U1000]" is displayed with other DTCs, first perform the trouble diagnosis for CAN communication line.

How to Erase Self-diagnostic Results

1. Perform inspection of malfunctioning item and then repair or replace.
2. Start engine and select "SELF-DIAG RESULTS" mode for "DIFF LOCK" with CONSULT-II.
3. Touch "ERASE" on CONSULT-II screen to erase DTC memory.

CAUTION:

If memory cannot be erased, perform diagnosis.

TROUBLE DIAGNOSIS

[M226 WITH ELECTRONIC LOCKING DIFFERENTIAL]

DATA MONITOR MODE

Operation Procedure

1. Perform "CONSULT-II SETTING PROCEDURE". Refer to [RFD-88, "CONSULT-II SETTING PROCEDURE"](#).
2. Touch "DATA MONITOR".
3. Select from "SELECT MONITOR ITEM", screen of data monitor mode is displayed.

NOTE:

When malfunction is detected, CONSULT-II performs REAL-TIME DIAGNOSIS.

Also, any malfunction detected while in this mode will be displayed at real time.

Display Item List

×: Standard -: Not applicable

Monitor item (Unit)	SELECT MONITOR ITEM			Remarks
	ECU INPUT SIGNALS	MAIN SIGNALS	SELECTION FROM MENU	
BATTERY VOLT [V]	×	×	×	Power supply voltage for differential lock control unit.
4WD MODE [2H/4H/4Lo]	×	×	×	4WD shift switch signal status via CAN communication line is displayed.
VHCL S/SEN-R [km/h] or [mph]	×	-	×	Wheel speed calculated by rear wheel sensor right signal is displayed.
VHCL S/SEN-L [km/h] or [mph]	×	-	×	Wheel speed calculated by rear wheel sensor left signal is displayed.
VHCL S/SEN-RL [km/h] or [mph]	×	×	×	Average value between wheel speed calculated by rear wheel sensor right signal and rear wheel sensor left signal is displayed.
D-LOCK SW SIG [ON/OFF]	×	×	×	Condition of differential lock mode switch is displayed.
D-LOCK SIG [ON/OFF]	×	×	×	Control status of differential lock is displayed.
RELAY ON [ON/OFF]	×	×	×	Operating condition of differential lock solenoid relay is displayed (integrated in differential lock control unit).
RELAY MTR [ON/OFF]	×	×	×	Control status of differential lock solenoid relay is displayed (integrated in differential lock control unit).
SOL MTR [ON/OFF]	×	×	×	Control status of differential lock solenoid is displayed.
IND MTR [ON/OFF]	×	×	×	Control status of DIFF LOCK indicator lamp is displayed.
D-LOCK POS SW [ON/OFF]	×	×	×	Condition of differential lock position switch is displayed.
Voltage [V]	-	-	×	The value measured by the voltage probe is displayed.
Frequency [Hz]	-	-	×	The value measured by the pulse probe is displayed.
DUTY-HI (high) [%]	-	-	×	
DUTY-LOW (low) [%]	-	-	×	
PLS WIDTH-HI [msec]	-	-	×	
PLS WIDTH-LOW [msec]	-	-	×	

TROUBLE DIAGNOSIS FOR SYSTEM [M226 WITH ELECTRONIC LOCKING DIFFERENTIAL]

TROUBLE DIAGNOSIS FOR SYSTEM

PFP:00000

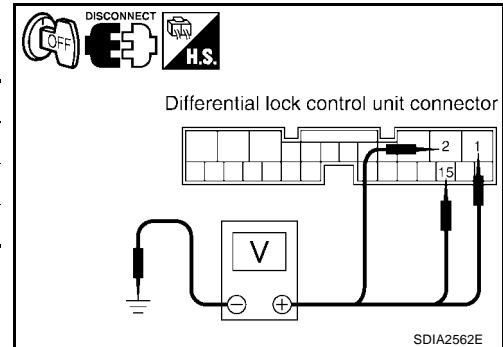
Power Supply Circuit For Differential Lock Control Unit DIAGNOSTIC PROCEDURE

EDS0027P

1. CHECK POWER SUPPLY

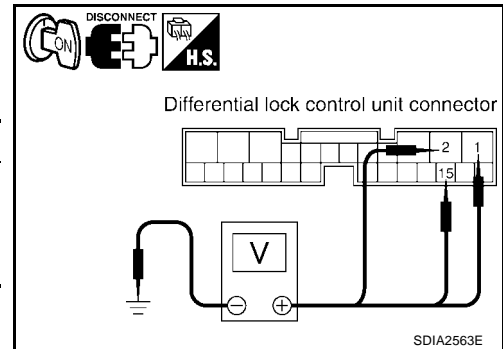
1. Turn ignition switch OFF.
2. Disconnect differential lock control unit harness connector.
3. Check voltage between differential lock control unit harness connector terminals and ground.

Connector	Terminal	Voltage (Approx.)
M70	1 - Ground	0V
	2 - Ground	0V
	15 - Ground	Battery voltage



4. Turn ignition switch ON. (Do not start engine.)
5. Check voltage between differential lock control unit harness connector terminals and ground.

Connector	Terminal	Voltage (Approx.)
M70	1 - Ground	Battery voltage
	2 - Ground	
	15 - Ground	



OK or NG

OK >> GO TO 2.

NG >> Check the following. If any items are damaged, repair or replace damaged parts.

- 10A fuse [No. 3 or 19, located in fuse block (J/B)]
- Harness for short or open between battery and differential lock control unit harness connector terminal 15
- Harness for short or open between ignition switch and differential lock control unit harness connector terminals 1 and 2
- Battery and ignition switch. Refer to [PG-4, "POWER SUPPLY ROUTING CIRCUIT"](#) .

2. CHECK GROUND CIRCUIT

1. Turn ignition switch OFF.
2. Check continuity between differential lock control unit harness connector M70 terminals 3, 10 and ground.

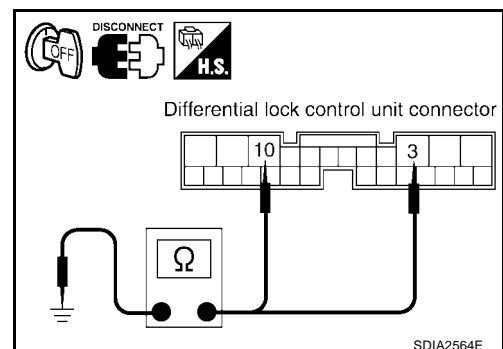
Continuity should exist.

Also check harness for short to ground and short to power.

OK or NG

OK >> GO TO 3.

NG >> Repair open circuit or short to ground or short to power in harness or connectors.



TROUBLE DIAGNOSIS FOR SYSTEM

[M226 WITH ELECTRONIC LOCKING DIFFERENTIAL]

3. CHECK DIFFERENTIAL LOCK CONTROL UNIT

Check differential lock control unit input/output signal. Refer to [RFD-86, "Differential Lock Control Unit Input/Output Signal Reference Values"](#) .

OK or NG

OK >> GO TO 4.

NG >> Check differential lock control unit pin terminals for damage or loose connection with harness connector. If any items are damaged, repair or replace damaged parts.

4. CHECK DTC

Perform the self-diagnosis, after driving the vehicle for a while.

OK or NG

OK >> Inspection End.

NG >> Replace differential lock control unit. Refer to [RFD-111, "DIFFERENTIAL LOCK CONTROL UNIT"](#)

Differential Lock Control Unit DIAGNOSTIC PROCEDURE

EDS0027Q

1. PERFORM SELF-DIAGNOSIS

Ⓜ With CONSULT-II

1. Turn ignition switch ON. (Do not start engine.)
2. Select "SELF-DIAG RESULTS" mode for "DIFF LOCK" with CONSULT-II.
3. Touch "ERASE".
4. Turn ignition switch OFF and wait at least 10 seconds.
5. Perform the self-diagnosis again.

Is the "CONTROL UNIT 1 [P1834]", "CONTROL UNIT 2 [P1835]", "CONTROL UNIT 3 [P1836]" or "CONTROL UNIT 4 [P1837]" displayed?

YES >> Replace differential lock control unit. Refer to [RFD-111, "DIFFERENTIAL LOCK CONTROL UNIT"](#)

NO >> Inspection End.

TROUBLE DIAGNOSIS FOR SYSTEM [M226 WITH ELECTRONIC LOCKING DIFFERENTIAL]

EDS0027R

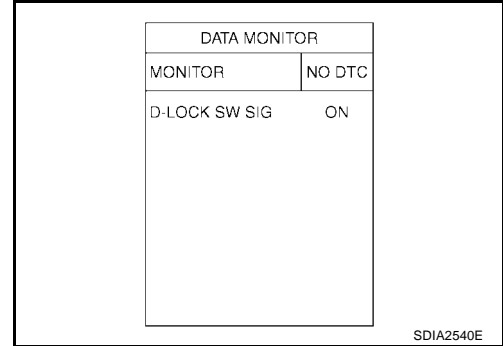
Differential Lock Mode Switch DIAGNOSTIC PROCEDURE

1. CHECK DIFFERENTIAL LOCK MODE SWITCH SIGNAL

Ⓟ With CONSULT-II

1. Start engine.
2. Select "DATA MONITOR" mode for "DIFF LOCK" with CONSULT-II.
3. Read out ON/OFF switching action of "D-LOCK SW SIG".

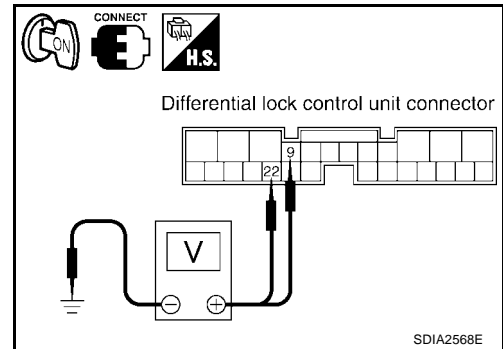
Monitor item	Condition		Display value
D-LOCK SW SIG	<ul style="list-style-type: none"> ● Vehicle stopped ● Engine running 	Differential lock mode switch: ON	ON
		Differential lock mode switch: OFF	OFF



ⓧ Without CONSULT-II

1. Turn ignition switch ON.
2. Check voltage between differential lock control unit harness connector terminals and ground.

Connector	Terminal	Condition		Voltage (Approx.)
M70	9 - Ground	Ignition switch: ON	Differential lock mode switch: ON	Battery voltage
			Differential lock mode switch: OFF	0V
	22 - Ground		Differential lock mode switch: ON	0V
			Differential lock mode switch: OFF	Battery voltage



OK or NG

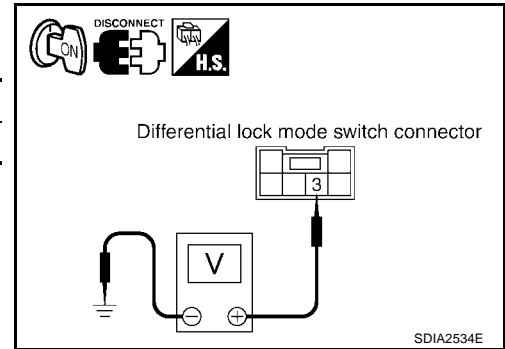
- OK >> GO TO 5.
 NG >> GO TO 2.

TROUBLE DIAGNOSIS FOR SYSTEM [M226 WITH ELECTRONIC LOCKING DIFFERENTIAL]

2. CHECK DIFFERENTIAL LOCK MODE SWITCH SUPPLY CIRCUIT

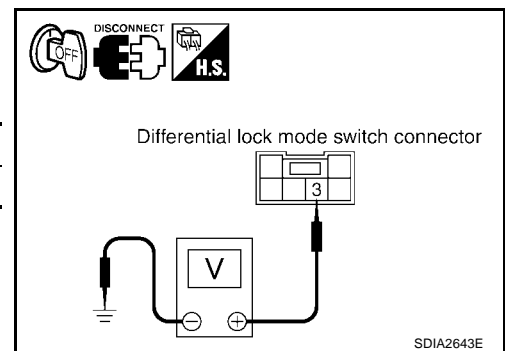
1. Turn ignition switch ON.
2. Disconnect differential lock mode switch harness connector.
3. Check voltage between differential lock mode switch harness connector terminal 3 and ground.

Connector	Terminal	Voltage (Approx.)
M149	3 - Ground	Battery voltage



4. Turn ignition switch OFF.
5. Check voltage between differential lock mode switch harness connector terminal 3 and ground.

Connector	Terminal	Voltage (Approx.)
M149	3 - Ground	0V



OK or NG

OK >> GO TO 3.

NG >> Check the following. If any items are damaged, repair or replace damaged parts.

- 10A fuse [No. 3, located in fuse block (J/B)]
- Harness for short or open between ignition switch and differential lock mode switch harness connector terminal 3
- Ignition switch. Refer to [PG-4. "POWER SUPPLY ROUTING CIRCUIT"](#).

3. CHECK DIFFERENTIAL LOCK MODE SWITCH

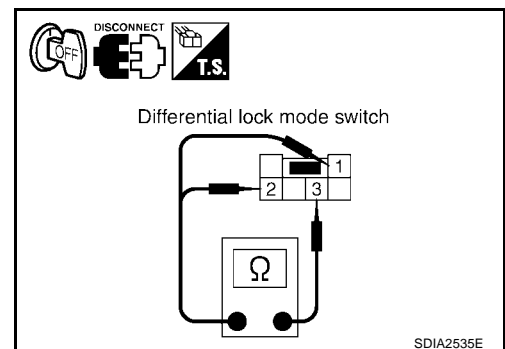
1. Turn ignition switch OFF.
2. Operate differential lock mode switch and check continuity between differential lock mode switch terminals.

Terminal	Condition	Continuity
1 - 3	Differential lock mode switch: ON	No
	Differential lock mode switch: OFF	Yes
2 - 3	Differential lock mode switch: ON	Yes
	Differential lock mode switch: OFF	No

OK or NG

OK >> GO TO 4.

NG >> Replace differential lock mode switch.



TROUBLE DIAGNOSIS FOR SYSTEM [M226 WITH ELECTRONIC LOCKING DIFFERENTIAL]

4. CHECK HARNESS BETWEEN DIFFERENTIAL LOCK CONTROL UNIT AND DIFFERENTIAL LOCK MODE SWITCH

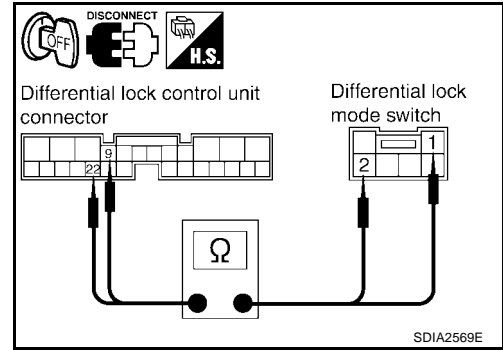
1. Disconnect differential lock control unit harness connector.
2. Check continuity between the following terminals.
 - Differential lock control unit harness connector M70 terminal 9 and differential lock mode switch harness connector M149 terminal 2.
 - Differential lock control unit harness connector M70 terminal 22 and differential lock mode switch harness connector M149 terminal 1.

Continuity should exist.

Also check harness for short to ground and short to power.

OK or NG

- OK >> GO TO 5.
- NG >> Repair or replace damaged parts.



5. CHECK DIFFERENTIAL LOCK CONTROL UNIT

Check differential lock control unit input/output signal. Refer to [RFD-86, "Differential Lock Control Unit Input/Output Signal Reference Values"](#).

OK or NG

- OK >> GO TO 6.
- NG >> Check differential lock control unit pin terminals for damage or loose connection with harness connector. If any items are damaged, repair or replace damaged parts.

6. CHECK DTC

Perform the self-diagnosis, after driving the vehicle for a while.

OK or NG

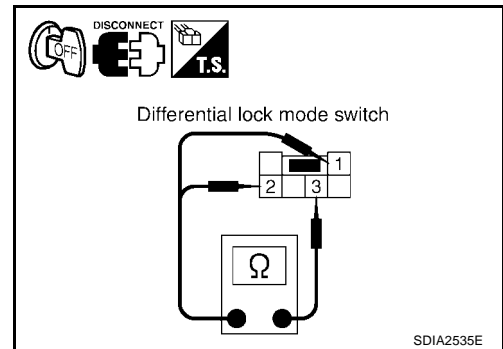
- OK >> Inspection End.
- NG >> Replace differential lock control unit. Refer to [RFD-111, "DIFFERENTIAL LOCK CONTROL UNIT"](#)

COMPONENT INSPECTION

1. Turn ignition switch OFF.
2. Operate differential lock mode switch and check continuity between differential lock mode switch terminals.

Terminal	Condition	Continuity
1 - 3	Differential lock mode switch: ON	No
	Differential lock mode switch: OFF	Yes
2 - 3	Differential lock mode switch: ON	Yes
	Differential lock mode switch: OFF	No

3. If NG, replace differential lock mode switch.



TROUBLE DIAGNOSIS FOR SYSTEM [M226 WITH ELECTRONIC LOCKING DIFFERENTIAL]

EDS0027S

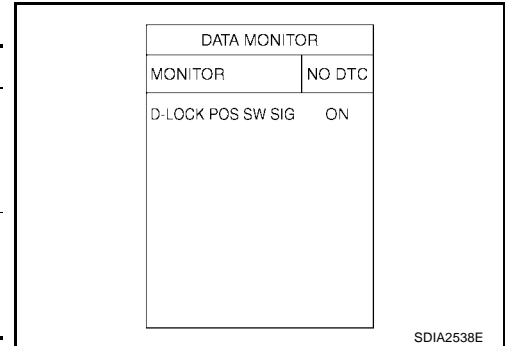
Differential Lock Position Switch DIAGNOSTIC PROCEDURE

1. CHECK DIFFERENTIAL LOCK POSITION SWITCH SIGNAL

With CONSULT-II

1. Start engine.
2. Select "DATA MONITOR" mode for "DIFF LOCK" with CONSULT-II.
3. Read out ON/OFF switching action of "D-LOCK POS SW SIG".

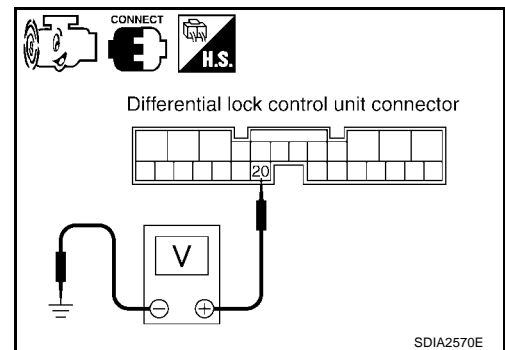
Monitor item	Condition	Display value
D-LOCK POS SW SIG	<ul style="list-style-type: none"> ● Vehicle stopped ● Engine running ● VDC OFF switch (if equipped): ON 	Differential lock mode switch: ON (DIFF LOCK indicator lamp: ON)
	<ul style="list-style-type: none"> ● 4WD shift switch: 4LO 	Differential lock mode switch: OFF (DIFF LOCK indicator lamp: OFF)



Without CONSULT-II

1. Start engine.
2. Check voltage between differential lock control unit harness connector terminal and ground.

Connector	Terminal	Condition	Voltage (Approx.)
M70	20 - Ground	<ul style="list-style-type: none"> ● Vehicle stopped ● Engine running ● VDC OFF switch (if equipped): ON 	Differential lock mode switch: ON (DIFF LOCK indicator lamp: ON)
		<ul style="list-style-type: none"> ● 4WD shift switch: 4LO 	Differential lock mode switch: OFF (DIFF LOCK indicator lamp: OFF)



OK or NG

- OK >> GO TO 5.
NG >> GO TO 2.

2. CHECK GROUND CIRCUIT

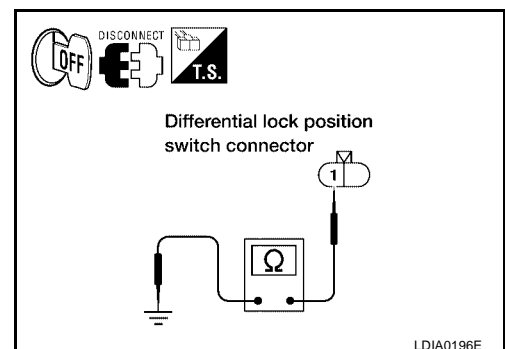
1. Turn ignition switch OFF.
2. Disconnect differential lock position switch harness connector.
3. Check continuity between differential lock position switch harness connector C116 terminal 1 and ground.

Continuity should exist.

Also check harness for short to ground and short to power.

OK or NG

- OK >> GO TO 3.
NG >> Repair open circuit or short to ground or short to power in harness or connectors.



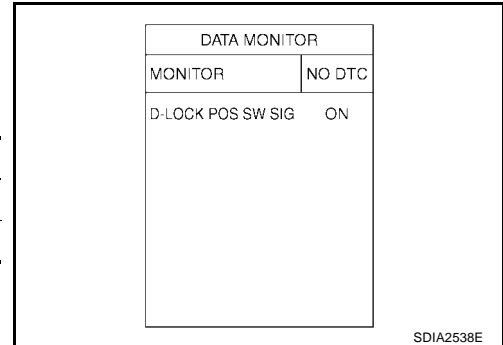
TROUBLE DIAGNOSIS FOR SYSTEM [M226 WITH ELECTRONIC LOCKING DIFFERENTIAL]

3. CHECK DIFFERENTIAL LOCK POSITION SWITCH

With CONSULT-II

1. Turn ignition switch ON.
2. Select "DATA MONITOR" mode for "DIFF LOCK" with CONSULT-II.
3. Read out ON/OFF switching action of "D-LOCK POS SW SIG" while connecting and disconnecting jumper wire between differential lock position switch harness connector C116 terminals 1 and 3.

Monitor item	Condition	Display value
D-LOCK POS SW SIG	Jumper wire connected	ON
	Jumper wire disconnected	OFF



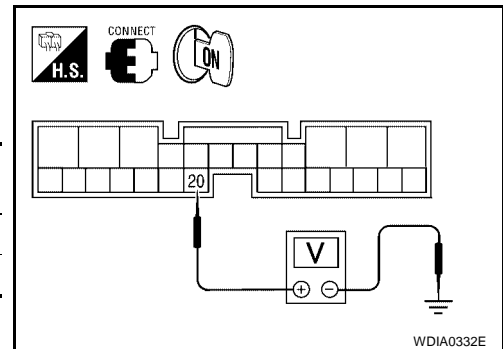
Without CONSULT-II

1. Turn ignition switch ON.
2. Check voltage between differential lock control unit harness connector terminal and ground while connecting and disconnecting jumper wire between differential lock position switch harness connector C116 terminals 1 and 3.

Connector	Terminal	Condition	Voltage (Approx.)
M70	20 - Ground	Jumper wire connected	0V
		Jumper wire disconnected	Battery voltage

OK or NG

- OK >> Replace differential lock position switch.
 NG >> GO TO 4.



4. CHECK HARNESS BETWEEN DIFFERENTIAL LOCK CONTROL UNIT AND DIFFERENTIAL LOCK POSITION SWITCH

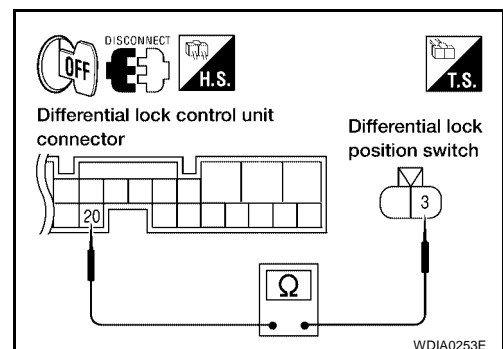
1. Turn ignition switch OFF.
2. Disconnect differential lock control unit harness connector.
3. Check continuity between differential lock control unit harness connector M70 terminal 20 and differential lock position switch harness connector C116 terminal 3.

Continuity should exist.

Also check harness for short to ground and short to power.

OK or NG

- OK >> GO TO 5.
 NG >> Repair or replace damaged parts.



TROUBLE DIAGNOSIS FOR SYSTEM

[M226 WITH ELECTRONIC LOCKING DIFFERENTIAL]

5. CHECK DIFFERENTIAL LOCK CONTROL UNIT

Check differential lock control unit input/output signal. Refer to [RFD-86, "Differential Lock Control Unit Input/Output Signal Reference Values"](#) .

OK or NG

- OK >> GO TO 6.
- NG >> Check differential lock control unit pin terminals for damage or loose connection with harness connector. If any items are damaged, repair or replace damaged parts.

6. CHECK DTC

Perform the self-diagnosis, after driving the vehicle for a while.

OK or NG

- OK >> Inspection End.
- NG >> Replace differential lock control unit. Refer to [RFD-111, "DIFFERENTIAL LOCK CONTROL UNIT"](#)

Differential Lock Solenoid Relay DIAGNOSTIC PROCEDURE

EDS0027T

1. CHECK DIFFERENTIAL LOCK SOLENOID SYSTEM

Perform self-diagnosis. Refer to [RFD-89, "SELF-DIAG RESULTS MODE"](#) .

Is "RELAY [P1844]" displayed?

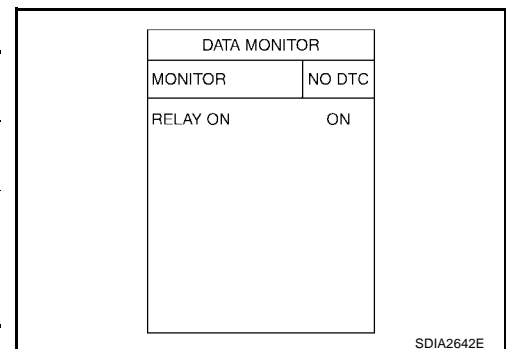
- YES >> Perform trouble diagnosis for differential lock solenoid. Refer to [RFD-100, "Differential Lock Solenoid"](#) .
- NO >> GO TO 2.

2. CHECK DIFFERENTIAL LOCK SOLENOID RELAY SIGNAL

 With CONSULT-II

1. Start engine.
2. Select "DATA MONITOR" mode for "DIFF LOCK" with CONSULT-II.
3. Read out ON/OFF switching action of "RELAY ON".

Monitor item	Condition	Display value
RELAY ON	<ul style="list-style-type: none"> ● Vehicle stopped ● Engine running 	Differential lock mode switch: ON ON
	<ul style="list-style-type: none"> ● VDC OFF switch (if equipped): ON ● 4WD shift switch: 4LO 	Differential lock mode switch: OFF OFF



OK or NG

- OK >> GO TO 4.
- NG >> GO TO 3.

3. CHECK DIFFERENTIAL LOCK CONTROL UNIT

Check differential lock control unit input/output signal. Refer to [RFD-86, "Differential Lock Control Unit Input/Output Signal Reference Values"](#) .

OK or NG

- OK >> GO TO 4.
- NG >> Check differential lock control unit pin terminals for damage or loose connection with harness connector. If any item is damaged, repair or replace damaged parts.

TROUBLE DIAGNOSIS FOR SYSTEM [M226 WITH ELECTRONIC LOCKING DIFFERENTIAL]

4. CHECK DTC

Perform the self-diagnosis, after driving the vehicle for a while.

OK or NG

- OK >> Inspection End.
- NG >> Replace differential lock control unit. Refer to [RFD-111, "DIFFERENTIAL LOCK CONTROL UNIT"](#)

Differential Lock Solenoid DIAGNOSTIC PROCEDURE

EDS0027U

1. CHECK DIFFERENTIAL SOLENOID SIGNAL

Ⓟ With CONSULT-II

1. Start engine.
2. Select "DATA MONITOR" mode for "DIFF LOCK" with CONSULT-II.
3. Read out ON/OFF switching action of "RELAY ON", "RELAY MTR", "SOL MTR".

Monitor item	Condition	Display value
RELAY ON	Differential lock mode switch: ON	ON
	Differential lock mode switch: OFF	OFF
RELAY MTR	<ul style="list-style-type: none"> ● Vehicle stopped ● Engine running Differential lock mode switch: ON	ON
	<ul style="list-style-type: none"> ● VDC OFF switch (if equipped): ON ● 4WD shift switch: 4LO Differential lock mode switch: OFF	OFF
SOL MTR	Differential lock mode switch: ON	ON
	Differential lock mode switch: OFF	OFF

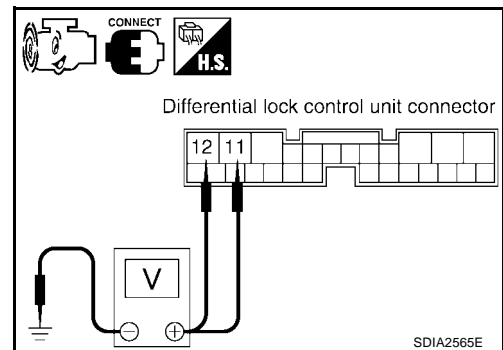
DATA MONITOR	
MONITOR	NO DTC
RELAY ON	OFF
RELAY MTR	OFF
SOL MTR	OFF

SDIA2539E

ⓧ Without CONSULT-II

1. Start engine.
2. Check voltage between differential lock control unit harness connector terminal and ground.

Connector	Terminal	Condition	Data (Approx.)
M70	11 - Ground	Differential lock mode switch: ON	0V
		Differential lock mode switch: OFF	Battery voltage
	12 - Ground	Differential lock mode switch: ON	Battery voltage
		Differential lock mode switch: OFF	0V



OK or NG

- OK >> GO TO 6.
- NG >> GO TO 2.

TROUBLE DIAGNOSIS FOR SYSTEM [M226 WITH ELECTRONIC LOCKING DIFFERENTIAL]

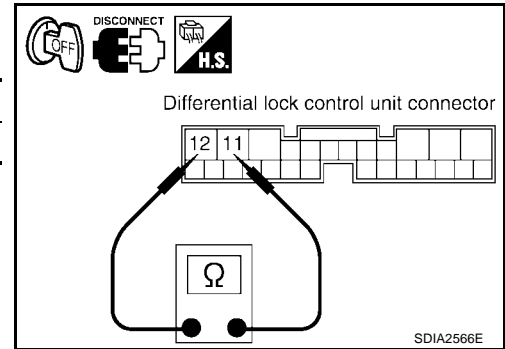
2. CHECK DIFFERENTIAL LOCK SOLENOID CIRCUIT

1. Turn ignition switch OFF.
2. Disconnect differential lock control unit harness connector.
3. Check resistance between differential lock control unit harness connector terminals 11 and 12.

Connector	Terminal	Resistance (Approx.)
M70	11 - 12	3.4 Ω

OK or NG

- OK >> GO TO 6.
NG >> GO TO 3.



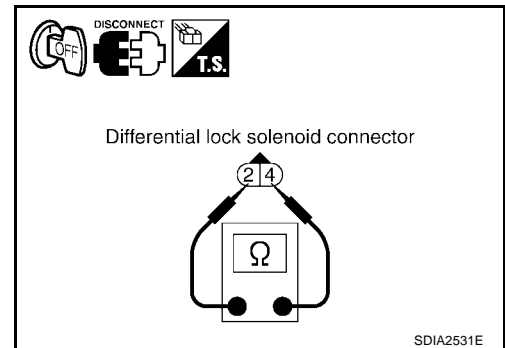
3. CHECK DIFFERENTIAL LOCK SOLENOID RESISTANCE

1. Disconnect differential lock solenoid harness connector.
2. Check resistance between differential lock solenoid terminals 2 and 4.

2 - 4 : Approx. 3.4Ω

OK or NG

- OK >> GO TO 4.
NG >> Replace differential lock solenoid. Refer to [RFD-121, "Differential Assembly"](#).



4. CHECK DIFFERENTIAL LOCK SOLENOID OPERATION

1. Check operation of differential lock solenoid by applying battery voltage to differential lock solenoid terminals.

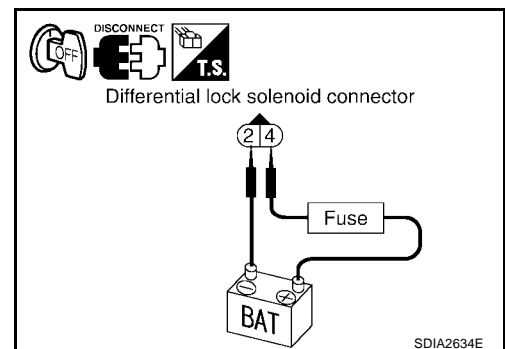
CAUTION:

Be sure to apply the voltage of the correct polarity to the respective terminals. Otherwise, the part may be damaged.

Terminal
4 (Battery voltage) - 2 (Ground)

Does solenoid operate?

- YES >> GO TO 5.
NO >> Replace differential lock solenoid. Refer to [RFD-121, "Differential Assembly"](#).



TROUBLE DIAGNOSIS FOR SYSTEM [M226 WITH ELECTRONIC LOCKING DIFFERENTIAL]

5. CHECK HARNESS BETWEEN DIFFERENTIAL LOCK CONTROL UNIT AND DIFFERENTIAL LOCK SOLENOID

1. Check continuity between the following terminals.
 - Differential lock control unit harness connector M70 terminal 11 and differential lock solenoid harness connector C117 terminal 4.
 - Differential lock control unit harness connector M70 terminal 12 and differential lock solenoid harness connector C17 terminal 2.
- 11 - 4 : Continuity should exist.**
12 - 2 : Continuity should exist.

Also check harness for short to ground and short to power.

OK or NG

- OK >> GO TO 6.
- NG >> Repair or replace damaged parts.

6. CHECK DIFFERENTIAL LOCK CONTROL UNIT

Check differential lock control unit input/output signal. Refer to [RFD-86, "Differential Lock Control Unit Input/Output Signal Reference Values"](#) .

OK or NG

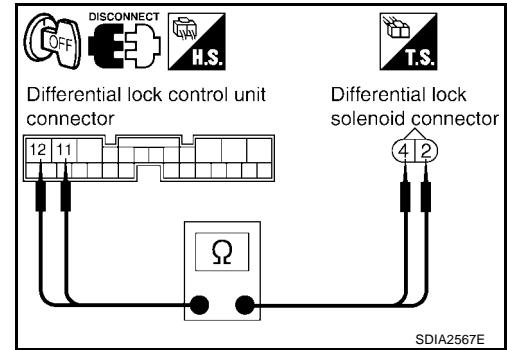
- OK >> GO TO 7.
- NG >> Check differential lock control unit pin terminals for damage or loose connection with harness connector. If any items are damaged, repair or replace damaged parts.

7. CHECK DTC

Perform the self-diagnosis, after driving the vehicle for a while.

OK or NG

- OK >> Inspection End.
- NG >> Replace differential lock control unit. Refer to [RFD-111, "DIFFERENTIAL LOCK CONTROL UNIT"](#)



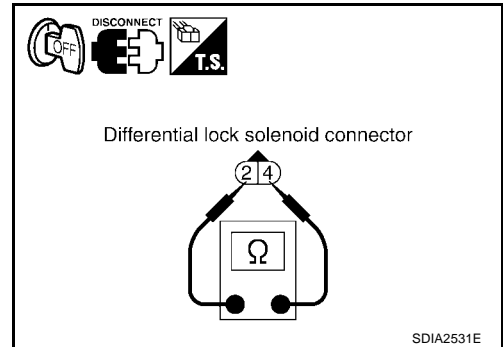
TROUBLE DIAGNOSIS FOR SYSTEM [M226 WITH ELECTRONIC LOCKING DIFFERENTIAL]

COMPONENT INSPECTION

1. Turn ignition switch OFF.
2. Disconnect differential lock solenoid harness connector.
3. Check resistance between differential lock solenoid terminals 2 and 4.

2 - 4 : Approx. 3.4Ω

4. If NG, replace differential lock solenoid. Refer to [RFD-121, "Differential Assembly"](#).



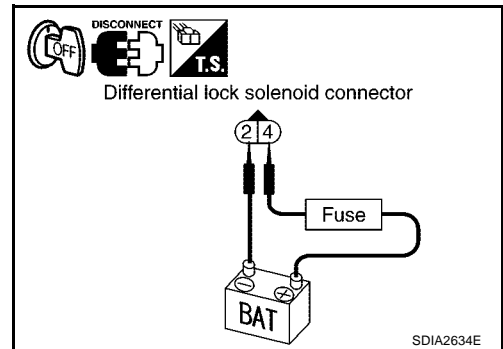
5. Check operation by applying battery voltage to differential lock solenoid terminals.

CAUTION:

Be sure to apply the voltage of the correct polarity to the respective terminals. Otherwise, the part may be damaged.

Terminal
4 (Battery voltage) - 2 (Ground)

6. If NG, replace differential lock solenoid.



EDS0027V

ABS System DIAGNOSTIC PROCEDURE

1. CHECK DTC WITH ABS ACTUATOR AND ELECTRIC UNIT (CONTROL UNIT)

Perform self-diagnosis with ABS actuator and electric unit (control unit). Refer to [BRC-23, "SELF-DIAGNOSIS"](#).

Is any malfunction detected by self-diagnosis?

- YES >> Check the malfunctioning system.
- NO >> GO TO 2.

2. CHECK DIFFERENTIAL LOCK CONTROL UNIT

Check differential lock control unit input/output signal. Refer to [RFD-86, "Differential Lock Control Unit Input/Output Signal Reference Values"](#).

OK or NG

- OK >> GO TO 3.
- NG >> Check differential lock control unit pin terminals for damage or loose connection with harness connector. If any items are damaged, repair or replace damaged parts.

3. CHECK DTC

Perform the self-diagnosis, after driving the vehicle for a while.

OK or NG

- OK >> Inspection End.
- NG >> Perform self-diagnosis with ABS actuator and electric unit (control unit) again. Refer to [BRC-62, "SELF-DIAGNOSIS"](#) (with ABLs) or [BRC-114, "SELF-DIAGNOSIS"](#) (with VDC).

TROUBLE DIAGNOSIS FOR SYSTEM [M226 WITH ELECTRONIC LOCKING DIFFERENTIAL]

EDS0027W

CAN Communication Line DIAGNOSTIC PROCEDURE

1. CHECK CAN COMMUNICATION CIRCUIT

Ⓟ With CONSULT-II

1. Turn ignition switch ON and start engine.
2. Select "SELF-DIAG RESULTS" mode for "DIFF LOCK" with CONSULT-II.
3. Perform the self-diagnosis.

Is the "CAN COMM CIRCUIT [U1000]" displayed?

- YES >> Go to [LAN-3. "Precautions When Using CONSULT-II"](#) .
NO >> Inspection End.

SELF-DIAG RESULTS	
DTC RESULTS	TIME
CAN COMM CIRCUIT [U1000]	0
ERASE	PRINT

SDIA1850E

TROUBLE DIAGNOSIS FOR SYMPTOMS

[M226 WITH ELECTRONIC LOCKING DIFFERENTIAL]

PF0:00007

TROUBLE DIAGNOSIS FOR SYMPTOMS

DIFF LOCK Indicator Lamp Does Not Turn ON

EDS0027X

SYMPTOM:

DIFF LOCK indicator lamp does not turn ON for approx. 1 second when turning ignition switch to "ON".

DIAGNOSTIC PROCEDURE

1. CHECK SYSTEM FOR CAN COMMUNICATION LINE

Perform self-diagnosis. Refer to [RFD-89, "SELF-DIAG RESULTS MODE"](#).

Is "CAN COMM CIRCUIT" displayed?

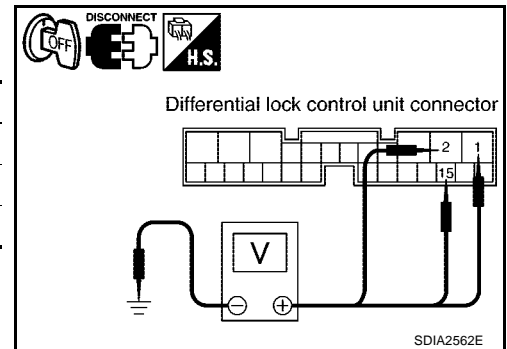
YES >> Perform trouble diagnosis for CAN communication line. Refer to [RFD-104, "CAN Communication Line"](#)

NO >> GO TO 2.

2. CHECK DIFFERENTIAL LOCK CONTROL UNIT POWER SUPPLY

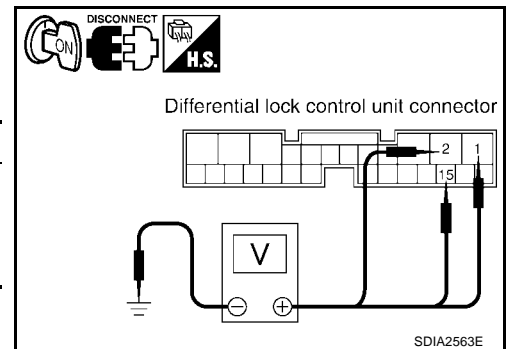
1. Turn ignition switch OFF.
2. Disconnect differential lock control unit harness connector.
3. Check voltage between differential lock control unit harness connector terminals and ground.

Connector	Terminal	Voltage (Approx.)
M70	1 - Ground	0V
	2 - Ground	0V
	15 - Ground	Battery voltage



4. Turn ignition switch ON. (Do not start engine.)
5. Check voltage between differential lock control unit harness connector terminals and ground.

Connector	Terminal	Voltage (Approx.)
M70	1 - Ground	Battery voltage
	2 - Ground	
	15 - Ground	



OK or NG

OK >> GO TO 3.

NG >> Check the following. If any items are damaged, repair or replace damaged parts.

- 10A fuse [No. 3 or 19, located in fuse block (J/B)]
- Harness for short or open between battery and differential lock control unit harness connector terminal 15
- Harness for short or open between ignition switch and differential lock control unit harness connector terminals 1 and 2
- Battery and ignition switch. Refer to [PG-4, "POWER SUPPLY ROUTING CIRCUIT"](#).

TROUBLE DIAGNOSIS FOR SYMPTOMS [M226 WITH ELECTRONIC LOCKING DIFFERENTIAL]

3. CHECK DIFFERENTIAL LOCK CONTROL UNIT GROUND CIRCUIT

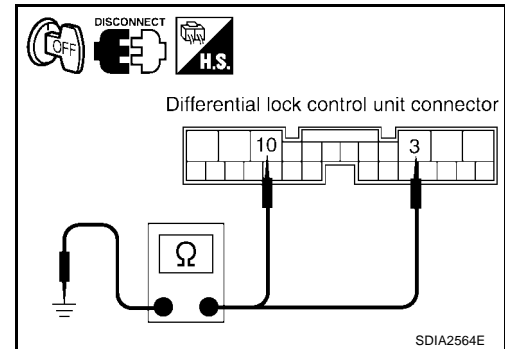
1. Turn ignition switch OFF.
2. Check continuity between differential lock control unit harness connector M70 terminals 3, 10 and ground.

Continuity should exist.

Also check harness for short to ground and short to power.

OK or NG

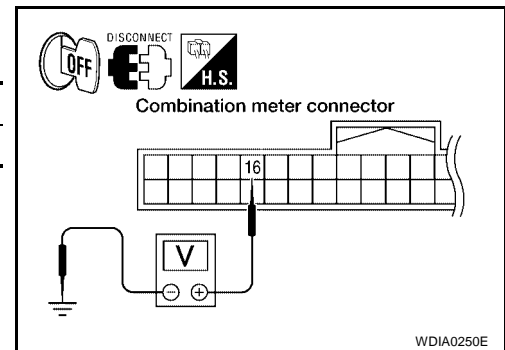
- OK >> GO TO 4.
 NG >> Repair open circuit or short to ground or short to power in harness or connectors.



4. CHECK COMBINATION METER POWER SUPPLY CIRCUIT

1. Disconnect combination meter harness connector.
2. Check voltage between combination meter harness connector terminal 16 and ground

Connector	Terminal	Voltage (Approx.)
M24	16 - Ground	0V

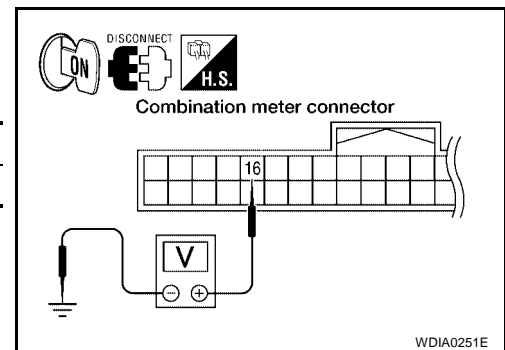


3. Turn ignition switch ON. (Do not start engine.)
4. Check voltage between combination meter harness connector terminal and ground.

Connector	Terminal	Voltage (Approx.)
M24	16 - Ground	Battery voltage

OK or NG

- OK >> GO TO 5.
 NG >> Check the following. If any items are damaged, repair or replace damaged parts.
- 10A fuse [No.14, located in the fuse block (J/B)]
 - Harness for short or open between ignition switch and combination meter harness connector terminal 16.
 - Ignition switch. Refer to [PG-4, "POWER SUPPLY ROUTING CIRCUIT"](#).



TROUBLE DIAGNOSIS FOR SYMPTOMS [M226 WITH ELECTRONIC LOCKING DIFFERENTIAL]

5. CHECK HARNESS BETWEEN DIFFERENTIAL LOCK CONTROL UNIT AND COMBINATION METER

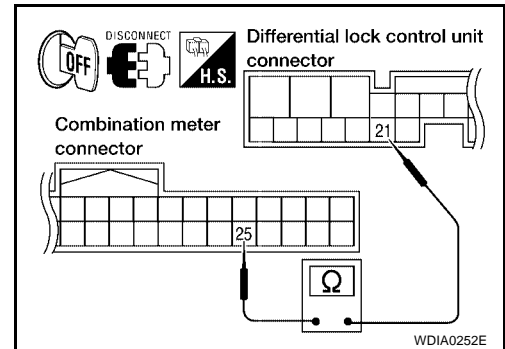
1. Turn ignition switch OFF.
2. Check continuity between differential lock control unit harness connector M70 terminal 21 and combination meter harness connector M24 terminal 25.

Continuity should exist.

Also check harness for short to ground and short to power.

OK or NG

- OK >> GO TO 6.
NG >> Repair or replace damaged parts.



6. CHECK DIFF LOCK INDICATOR LAMP CIRCUIT

1. Turn ignition switch OFF.
2. Check combination meter. Refer to [DI-8, "Combination Meter"](#).

OK or NG

- OK >> GO TO 7.
NG >> Replace combination meter. Refer to [IP-10, "INSTRUMENT PANEL ASSEMBLY"](#).

7. CHECK SYMPTOM

Check again.

OK or NG

- OK >> Inspection End.
NG >> GO TO 8.

8. CHECK DIFFERENTIAL LOCK CONTROL UNIT

Check differential lock control unit input/output signal. Refer to [RFD-86, "Differential Lock Control Unit Input/Output Signal Reference Values"](#).

OK or NG

- OK >> Inspection End.
NG >> Check differential lock control unit pin terminals for damage or loose connection with harness connector. If any items are damaged, repair or replace damaged parts.

TROUBLE DIAGNOSIS FOR SYMPTOMS

[M226 WITH ELECTRONIC LOCKING DIFFERENTIAL]

EDS0027Y

DIFF LOCK Indicator Lamp Does Not Change

SYMPTOM:

DIFF LOCK indicator lamp does not change when turning differential lock mode switch to "ON" after engine start.

DIAGNOSTIC PROCEDURE

1. CHECK DIFF LOCK INDICATOR LAMP

Confirm DIFF LOCK indicator lamp when ignition switch is turned to ON.

Does DIFF LOCK indicator lamp turn on?

YES >> GO TO 2.

NO >> Go to [RFD-105, "DIFF LOCK Indicator Lamp Does Not Turn ON"](#) .

2. CHECK SELF-DIAGNOSTIC RESULTS

Perform self-diagnosis. Refer to [RFD-89, "SELF-DIAG RESULTS MODE"](#) .

Is any malfunction detected by self-diagnosis?

YES >> Check the malfunctioning system.

NO >> GO TO 3.

3. CHECK SYSTEM FOR DIFFERENTIAL LOCK MODE SWITCH

Perform trouble diagnosis for differential lock mode switch system. Refer to [RFD-94, "Differential Lock Mode Switch"](#) .

OK or NG

OK >> GO TO 4.

NG >> Repair or replace damaged parts.

4. CHECK DIFF LOCK INDICATOR LAMP CIRCUIT

1. Turn ignition switch OFF.

2. Check combination meter. Refer to [DI-8, "Combination Meter"](#) .

OK or NG

OK >> GO TO 5.

NG >> Replace combination meter. Refer to [IP-10, "INSTRUMENT PANEL ASSEMBLY"](#) .

5. CHECK SYMPTOM

Check again.

OK or NG

OK >> Inspection End.

NG >> GO TO 6.

6. CHECK DIFFERENTIAL LOCK CONTROL UNIT

Check differential lock control unit input/output signal. Refer to [RFD-86, "Differential Lock Control Unit Input/Output Signal Reference Values"](#) .

OK or NG

OK >> Inspection End.

NG >> Check differential lock control unit pin terminals for damage or loose connection with harness connector. If any items are damaged, repair or replace damaged parts.

TROUBLE DIAGNOSIS FOR SYMPTOMS

[M226 WITH ELECTRONIC LOCKING DIFFERENTIAL]

EDS0027Z

DIFF LOCK Indicator Lamp Sometimes Flashes

SYMPTOM:

DIFF LOCK indicator lamp sometimes flashes when it turns ON or OFF during driving.

DIAGNOSTIC PROCEDURE

1. CHECK DIFF LOCK INDICATOR LAMP

Confirm DIFF LOCK indicator lamp when ignition switch is turned to ON.

Does DIFF LOCK indicator lamp turn on?

YES >> GO TO 2.

NO >> Go to [RFD-105, "DIFF LOCK Indicator Lamp Does Not Turn ON"](#) .

2. CHECK SELF-DIAGNOSTIC RESULTS

Perform self-diagnosis. Refer to [RFD-89, "SELF-DIAG RESULTS MODE"](#) .

Is any malfunction detected by self-diagnosis?

YES >> Check the malfunctioning system.

NO >> GO TO 3.

3. CHECK SYSTEM FOR DIFFERENTIAL LOCK MODE SWITCH

Perform trouble diagnosis for differential lock mode switch system. Refer to [RFD-94, "Differential Lock Mode Switch"](#) .

OK or NG

OK >> GO TO 4.

NG >> Repair or replace damaged parts.

4. CHECK SYSTEM FOR DIFFERENTIAL POSITION SWITCH

Perform trouble diagnosis for differential lock position switch system. Refer to [RFD-97, "Differential Lock Position Switch"](#) .

OK or NG

OK >> GO TO 5.

NG >> Repair or replace damaged parts.

5. CHECK SYMPTOM

Check again.

OK or NG

OK >> Inspection End.

NG >> GO TO 6.

6. CHECK DIFFERENTIAL LOCK CONTROL UNIT

Check differential lock control unit input/output signal. Refer to [RFD-86, "Differential Lock Control Unit Input/Output Signal Reference Values"](#) .

OK or NG

OK >> GO TO 7.

NG >> Check differential lock control unit pin terminals for damage or loose connection with harness connector. If any items are damaged, repair or replace damaged parts.

TROUBLE DIAGNOSIS FOR SYMPTOMS
[M226 WITH ELECTRONIC LOCKING DIFFERENTIAL]

7. CHECK DIFFERENTIAL INNER PARTS

1. Disassemble rear final drive assembly. Refer to [RFD-117, "Disassembly and Assembly"](#) .
2. Check differential inner parts.

OK or NG

- OK >> Inspection End.
NG >> Repair or replace damaged parts.

DIFFERENTIAL LOCK CONTROL UNIT

[M226 WITH ELECTRONIC LOCKING DIFFERENTIAL]

DIFFERENTIAL LOCK CONTROL UNIT

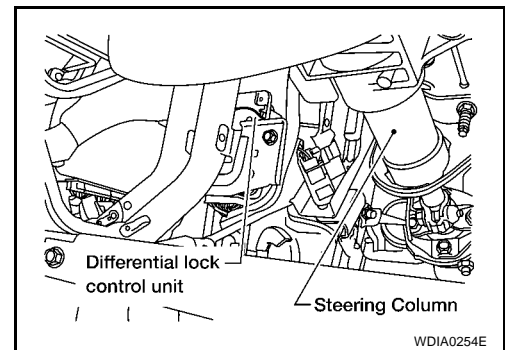
PFP:28496

Removal and Installation

EDS00280

REMOVAL

1. Disconnect the battery cable from the negative terminal.
2. Disconnect the differential lock control unit connector.
3. Remove the two bolts and remove the differential lock control unit.



INSTALLATION

Installation is in the reverse order of removal.

- When installing differential lock control unit, tighten bolts to the specified torque.
Differential lock control unit bolts : 5.1 N-m (0.52 kg-m, 45 in-lb)
- After installation, check DIFF LOCK indicator lamp. Refer to [RFD-70, "Precautions for Differential Case Assembly and Differential Lock Control Unit Replacement."](#)

FRONT OIL SEAL [M226 WITH ELECTRONIC LOCKING DIFFERENTIAL]

FRONT OIL SEAL

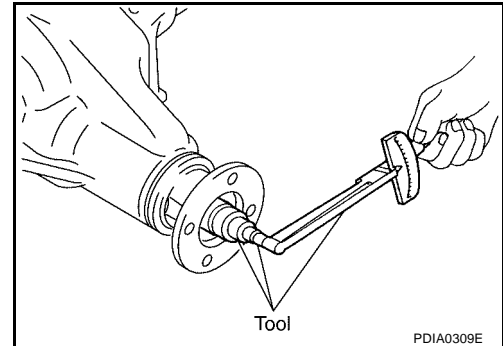
PFP:38189

Removal and Installation REMOVAL

EDS0028B

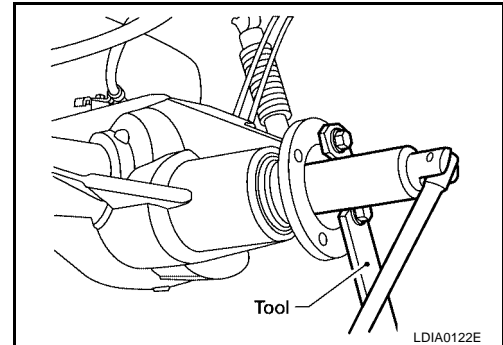
1. Remove the rear propeller shaft. Refer to [PR-10, "Removal and Installation"](#) .
2. Remove the rear tires using power tool.
3. Remove the brake calipers and rotors. Refer to [BR-29, "Removal and Installation of Brake Caliper and Disc Rotor"](#) .
4. Rotate the pinion three or four times using Tool and record the rotating torque.

Tool number : ST3127S000 (J-25765-A)



5. Remove the drive pinion lock nut using Tool.

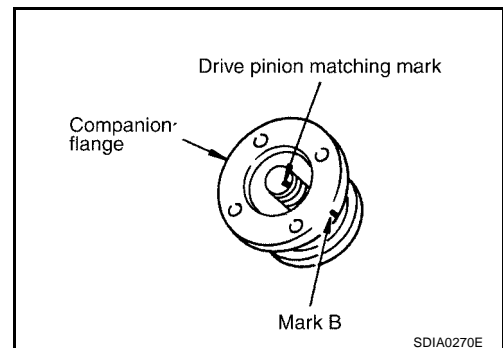
Tool number : KV40104000 (—)



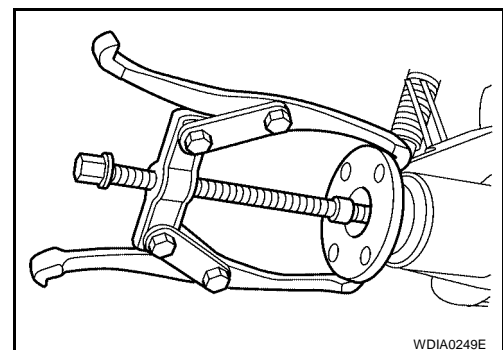
6. Put a matching mark on the end of the drive pinion in line with the matching mark B on the companion flange.

CAUTION:

**Use paint to make the matching mark on the drive pinion.
Do not damage the companion flange or drive pinion.**



7. Remove the companion flange using suitable tool.

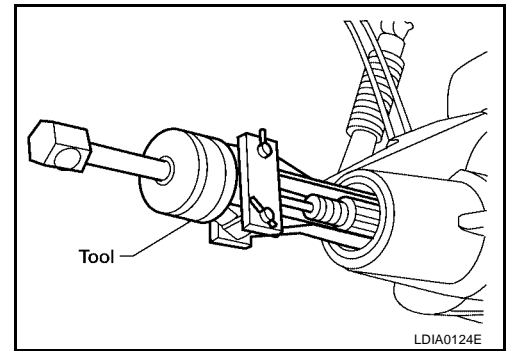


FRONT OIL SEAL [M226 WITH ELECTRONIC LOCKING DIFFERENTIAL]

8. Remove the front oil seal using Tool.

Tool number : ST33290001 (J-34286)

CAUTION:
Do not damage axle housing.



A
B
C

RFD

E
F
G
H
I
J
K
L
M

FRONT OIL SEAL [M226 WITH ELECTRONIC LOCKING DIFFERENTIAL]

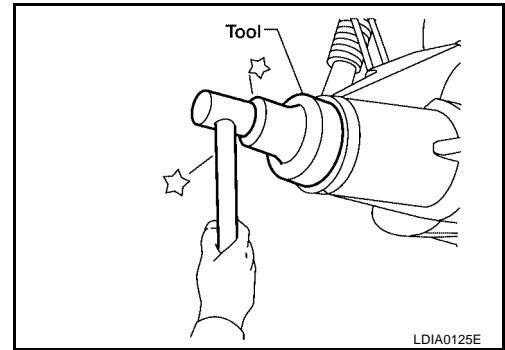
INSTALLATION

1. Apply multi-purpose grease to the oil seal lips, and gear oil onto the circumference of the oil seal. Install the front oil seal into the axle housing using Tool.

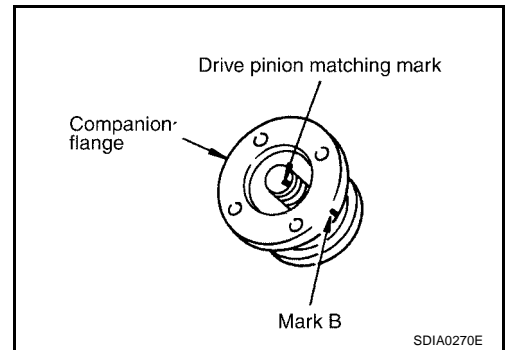
Tool number : ST15310000 (—)

CAUTION:

- Do not reuse oil seal.
- Do not incline oil seal when installing.
- Apply multi-purpose grease onto oil seal lips, and gear oil onto the circumference of oil seal.



2. Align the matching mark of the drive pinion with the matching mark B of the companion flange, then install the companion flange.

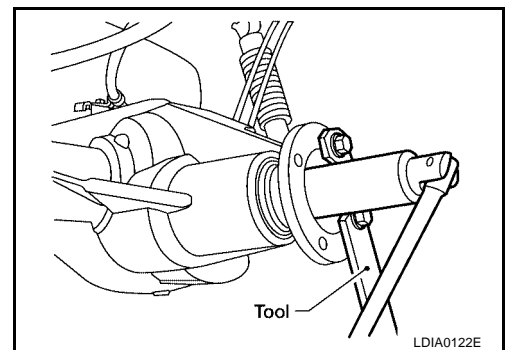


3. Install the washer (if required), and new drive pinion nut. Tighten the nut until there is zero bearing end play using Tool.

Tool number : KV40104000 (—)

CAUTION:

Do not reuse drive pinion nut and washer.



4. Rotate the drive pinion using Tool. Rotating torque should be equal to the reading recorded in step 4 above during removal plus an additional 0.56 N·m (5 in-lb).

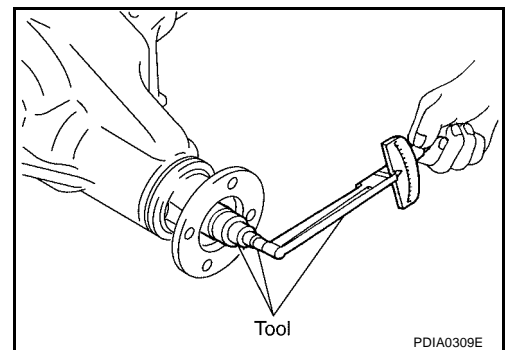
Tool number : ST3127S000 (J-25765-A)

5. If the rotating torque is low, continue to tighten the drive pinion nut in 6.8 N·m (5 ft-lb) increments without overtightening. Refer to [RFD-117, "COMPONENTS"](#). Tighten until proper rotating torque is achieved.

CAUTION:

- Do not loosen the drive pinion nut to decrease drive pinion rear bearing rotating torque.
- Do not exceed specified rotating preload torque. If preload torque or rotating torque is exceeded a new collapsible spacer must be installed.
- Do not exceed maximum tightening torque. If maximum tightening torque is reached prior to reaching the required rotating torque, the collapsible spacer may have been damaged. Replace the collapsible spacer.

6. Check the gear oil level. Refer to [RFD-78, "Checking Differential Gear Oil"](#).
7. Install the remaining components in the reverse order of removal.



CARRIER COVER [M226 WITH ELECTRONIC LOCKING DIFFERENTIAL]

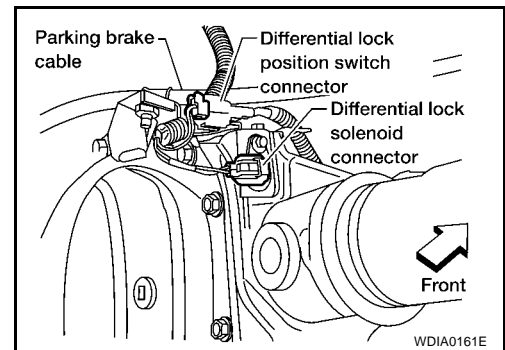
PFP:38351

EDS0028C

CARRIER COVER

Removal and Installation REMOVAL

1. Remove the drain plug and drain the gear oil. Refer to [RFD-78, "DRAINING"](#).
2. Disconnect the parking brake cable from the carrier cover.

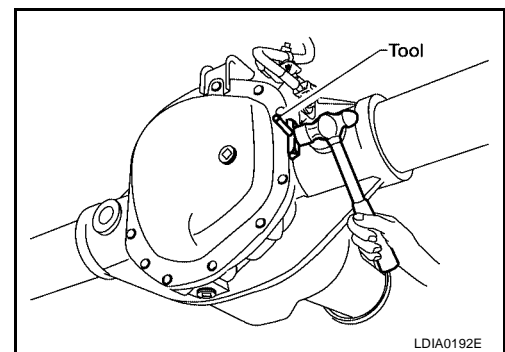


3. Remove the carrier cover bolts. Then separate the carrier cover from the axle housing using Tool.

Tool number : KV10111100 (J-37228)

CAUTION:

- Do not damage the mating surface.
- Do not insert flat-bladed screwdriver, this will damage the mating surface.



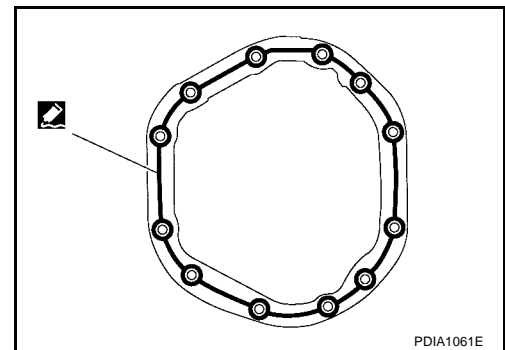
INSTALLATION

1. Apply sealant to mating surface of carrier cover.
 - Use Genuine Silicone RTV or equivalent. Refer to [GI-48, "Recommended Chemical Products and Sealants"](#).

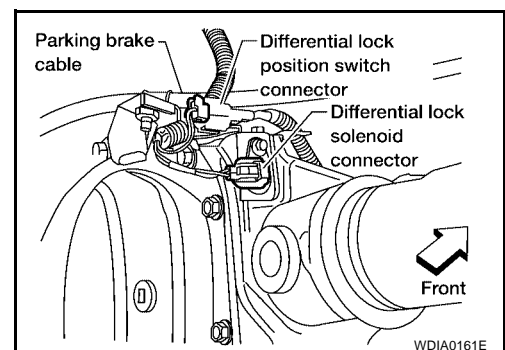
CAUTION:

Remove old sealant adhering to mating surfaces. Also remove any moisture, oil, or foreign material adhering to application and mating surfaces.

2. Install carrier cover on axle housing and tighten carrier cover bolts to the specified torque. Refer to [RFD-50, "COMPONENTS"](#).



3. Connect the parking brake cable to the carrier cover and tighten to the specified torque. Refer to [PB-4, "Components"](#).
4. Fill with new gear oil until oil level reaches the specified limit near filler plug hole. Refer to [RFD-44, "Checking Differential Gear Oil"](#).



A
B
C
RFD
E
F
G
H
I
J
K
L
M

REAR FINAL DRIVE ASSEMBLY [M226 WITH ELECTRONIC LOCKING DIFFERENTIAL]

REAR FINAL DRIVE ASSEMBLY

PFP:38300

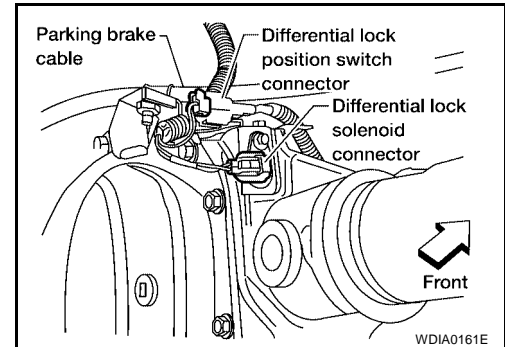
Removal and Installation REMOVAL

EDS0028D

1. Drain the rear final drive gear oil. Refer to [RFD-78, "DRAINING"](#) .
2. Remove the rear propeller shaft. Refer to [PR-10, "Removal and Installation"](#) .
 - Plug rear end of transfer (4WD models only).
3. Remove the axle shafts, back plates and torque members. Refer to [RAX-19, "Removal and Installation"](#) .
4. Disconnect the following components from the rear final drive.
 - ABS sensor wire harness
 - Brake hoses
 - Parking brake cable (1)
 - Differential lock solenoid connector (2)
 - Differential lock position switch connector (3)

CAUTION:

Position the wire harnesses, cable and hoses away from the final drive assembly. Failure to do so may result in components being damaged during rear axle assembly removal.



5. Support the rear final drive using a suitable jack.
6. Remove rear shock absorber lower bolts. Refer to [RSU-7, "Removal and Installation"](#) .
7. Remove leaf spring U-bolt nuts. Refer to [RSU-8, "Removal and Installation"](#) .

WARNING:

Support the rear final drive assembly using suitable jack before removing leaf spring U-bolt nuts.

8. Remove rear final drive assembly using suitable jack.

INSTALLATION

Installation is in the reverse order of removal.

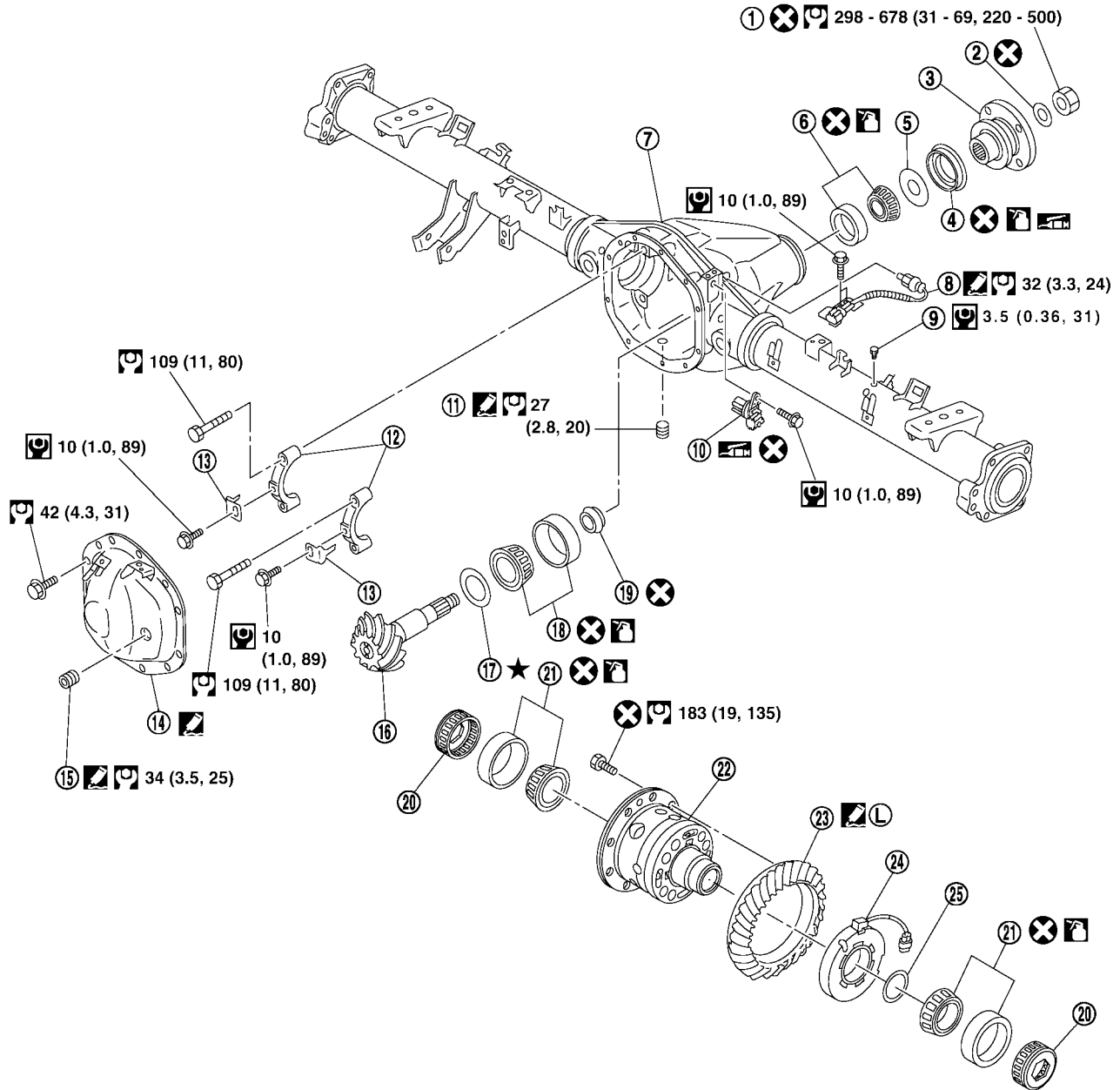
- Fill the rear final drive with new gear oil until oil level reaches the specified limit near the filler plug hole. Refer to [RFD-44, "Checking Differential Gear Oil"](#) .
- Refill brake fluid and bleed the air from the brake system. Refer to [BR-10, "Bleeding Brake System"](#) .
- After the installation, check DIFF LOCK indicator lamp. Refer to [RFD-70, "Precautions for Differential Case Assembly and Differential Lock Control Unit Replacement."](#) .

REAR FINAL DRIVE ASSEMBLY [M226 WITH ELECTRONIC LOCKING DIFFERENTIAL]

EDS00284

Disassembly and Assembly COMPONENTS

SEC.380



- | | | |
|--|--|-------------------------------|
| 1. Drive pinion nut | 2. Drive pinion nut washer | 3. Companion flange |
| 4. Front oil seal (apply multi-purpose grease to seal lip) | 5. Front bearing thrust washer | 6. Drive pinion front bearing |
| 7. Axle housing | 8. Differential lock position switch | 9. Breather |
| 10. Sensor connector | 11. Drain plug | 12. Side bearing cap |
| 13. Adjuster lock plate | 14. Carrier cover | 15. Filler plug |
| 16. Drive pinion | 17. Drive pinion height adjusting washer | 18. Drive pinion rear bearing |
| 19. Collapsible spacer | 20. Side bearing adjuster | 21. Side bearing |

WDIA0346E

REAR FINAL DRIVE ASSEMBLY [M226 WITH ELECTRONIC LOCKING DIFFERENTIAL]

22. Differential case assembly
23. Drive gear (apply Genuine High Strength Thread Locking Sealant, Loctite 648 or equivalent to screw holes and back face)
24. Differential lock solenoid
25. Solenoid washer

ASSEMBLY INSPECTION AND ADJUSTMENT

Total Preload Torque

1. Turn drive pinion in both directions several times to set bearing rollers.
2. Check total preload using Tool.

Tool number : ST3127S000 (J-25765-A)

Total preload : 2.38 - 4.46 N·m (0.25 - 0.45 kg·m,
(with oil seal) 21- 39 in-lb)

NOTE:

Total preload torque = Pinion bearing torque + Side bearing torque

- If measured value is out of the specification, disassemble it to check and adjust each part. Adjust the pinion bearing preload and the side bearing preload. Adjust the pinion bearing preload first, then adjust the side bearing preload.

When the preload torque is greater than specification

- On pinion bearings:** Replace collapsible spacer.
- On side bearings:** Loosen side bearing adjuster.

When the preload torque is less than specification

- On pinion bearings:** Tighten drive pinion nut.
- On side bearings:** Tighten side bearing adjuster.

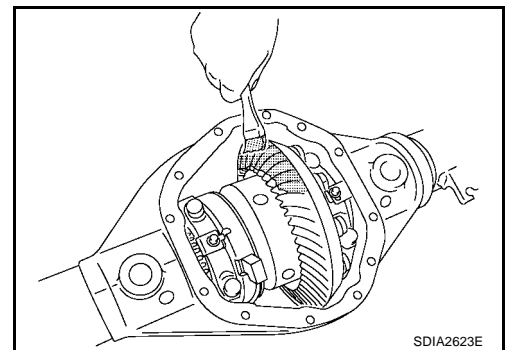
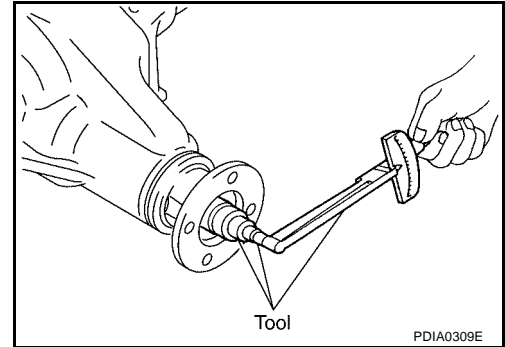
Tooth Contact

Checking gear tooth contact pattern is necessary to verify correct relationship between drive gear and drive pinion. Gears which are not positioned in proper arrangement may be noisy and/or have a short life. Check gear tooth contact pattern to obtain the best contact for low noise and long life.

1. Remove rear cover. Refer to [RFD-121, "DISASSEMBLY"](#).
2. Thoroughly clean drive gear and drive pinion teeth.
3. Apply red lead to drive gear.

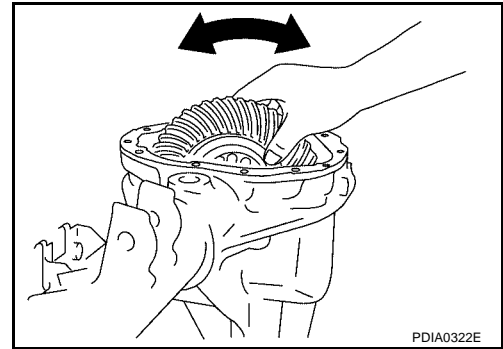
CAUTION:

Apply red lead to both the faces of 3 to 4 gears at 4 locations evenly spaced on drive gear.



REAR FINAL DRIVE ASSEMBLY [M226 WITH ELECTRONIC LOCKING DIFFERENTIAL]

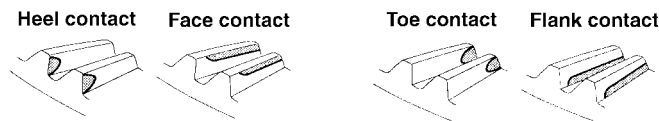
4. Hold companion flange steady by hand and rotate drive gear in both directions.



A
B
C

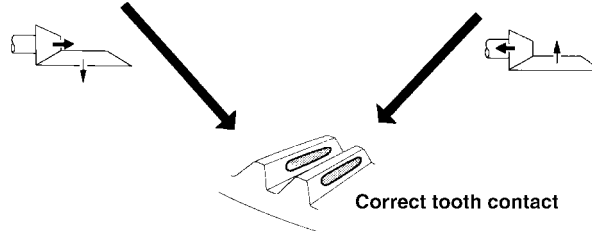
RFD

Usually the pattern will be correct if washers are correctly calculated and the backlash is correct. However, in rare cases, trial and error processes may be employed to obtain a correct pattern. The tooth pattern is the best indication of how well a differential has been set up.



To correct, increase thickness of drive pinion height adjusting washer in order to bring drive pinion close to drive gear.

To correct, reduce thickness of drive pinion height adjusting washer in order to make drive pinion go away from drive gear.



When adjustment is completed, be sure to wipe off completely the red lead and oil or their equivalent.

SDIA2591E

E
F
G
H
I

5. If outside the standard, adjust drive pinion height adjusting washer and backlash. Refer to [RFD-126, "Drive Pinion Height Adjusting Washer"](#) and [RFD-119, "Backlash"](#).

Backlash

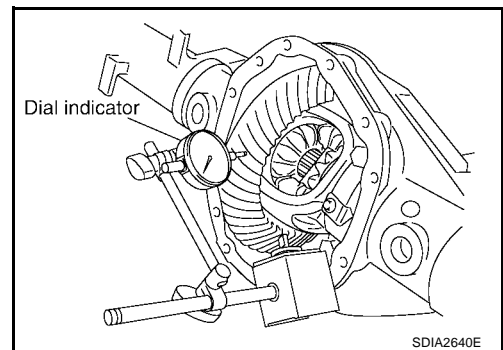
1. Remove rear cover. Refer to [RFD-121, "DISASSEMBLY"](#).
2. Check drive gear to drive pinion backlash using a dial indicator at several points.

Drive gear to drive pinion backlash:
0.08 - 0.13 mm (0.0031 - 0.0051 in)

3. If outside the standard, adjust side bearing adjuster.

CAUTION:
Check tooth contact and total preload after adjusting side bearing adjuster. Refer to [RFD-118, "Total Preload Torque"](#), [RFD-118, "Tooth Contact"](#).

- a. Remove adjuster lock plate.
- b. Loosen side bearing cap bolts.

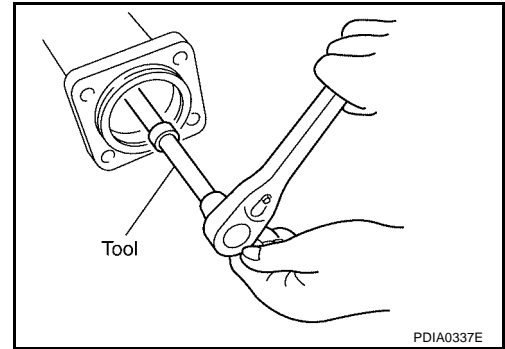


J
K
L
M

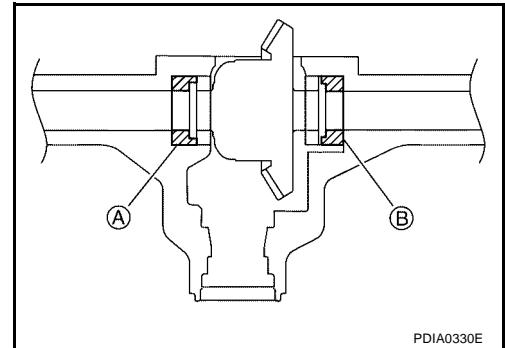
REAR FINAL DRIVE ASSEMBLY [M226 WITH ELECTRONIC LOCKING DIFFERENTIAL]

- c. Tighten or loosen each side bearing adjuster using Tool.

Tool number : — (C-4164)



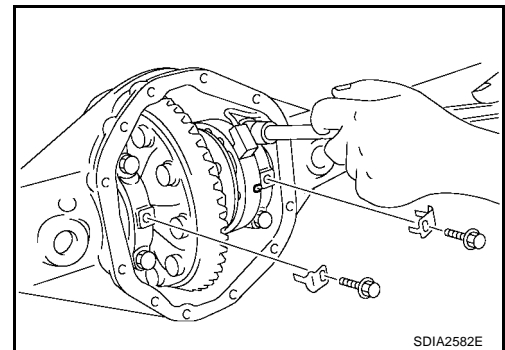
- d. In case of excessive backlash, loosen side bearing adjuster A and tighten side bearing adjuster B. In case of insufficient backlash, loosen side bearing adjuster B and tighten side bearing adjuster A.



- e. After adjusting backlash, tighten cap bolts to the specified torque. Refer to [RFD-117, "COMPONENTS"](#).
- f. Install adjuster lock plate and tighten to the specified torque. Refer to [RFD-117, "COMPONENTS"](#).

CAUTION:

Install adjuster lock plate to grooving of differential lock solenoid.



Companion Flange Runout

1. Fit a dial indicator onto companion flange face (inner side of propeller shaft bolt holes).
2. Rotate companion flange to check for runout.

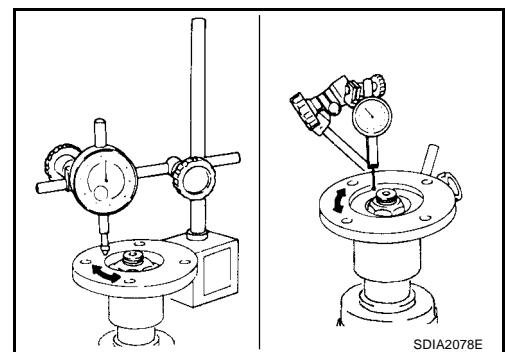
Runout limit : 0.10 mm (0.0039 in) or less

3. Fit a test indicator to the inner side of companion flange (socket diameter).
4. Rotate companion flange to check for runout.

Runout limit : 0.13 mm (0.0051 in) or less

5. If the runout value is outside the repair limit, follow the procedure below to adjust.

- a. Check for runout while changing the phase between companion flange and drive pinion by 90°, 180° and 270° and search for the point where the runout is the minimum.
- b. If the runout value is still outside of the limit after the phase has been changed, replace companion flange.
- c. If the runout value is still outside of the limit after companion flange has been replaced, check drive pinion bearing and drive pinion assembly.



REAR FINAL DRIVE ASSEMBLY [M226 WITH ELECTRONIC LOCKING DIFFERENTIAL]

DISASSEMBLY

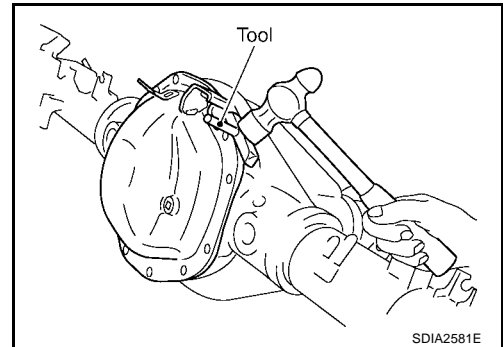
Differential Assembly

1. Remove carrier cover bolts.
2. Separate the carrier cover from the axle housing using Tool.

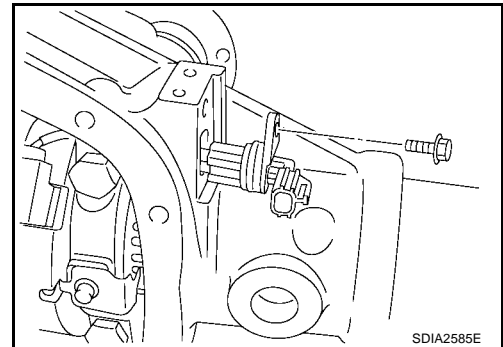
Tool number : KV10111100 (J-37228)

CAUTION:

- Do not damage the mating surface.
- Do not insert flat-bladed screwdriver, this will damage the mating surface.



3. Remove differential sensor connector bolt and differential lock solenoid connector.

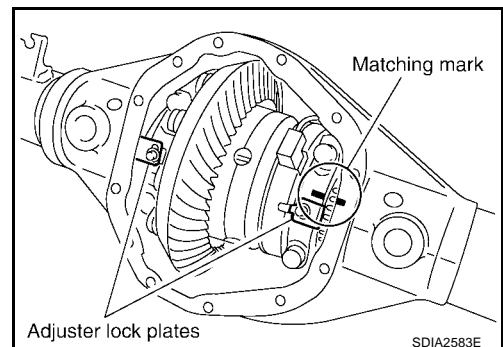


4. For proper reinstallation, paint matching mark on one side of side bearing cap.

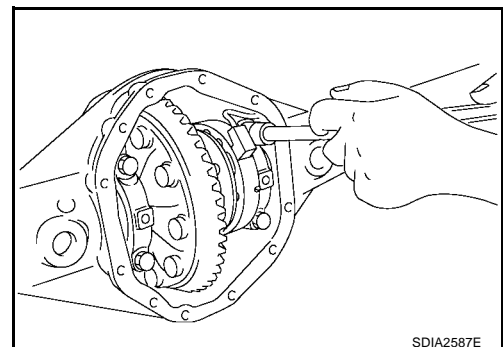
CAUTION:

- Side bearing caps are line-board for initial assembly. The matching marks are used to reinstall them in their original positions.
- For matching mark, use paint. Do not damage side bearing cap.

5. Remove adjuster lock plates.



6. Remove side bearing caps.

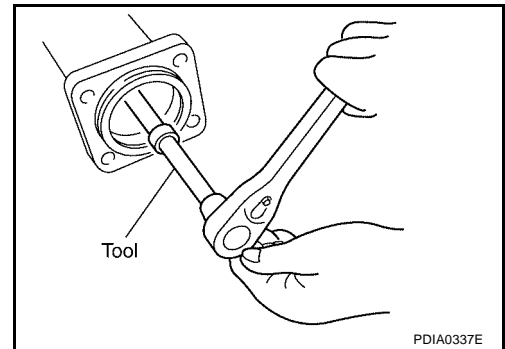


A
B
C
RFD
E
F
G
H
I
J
K
L
M

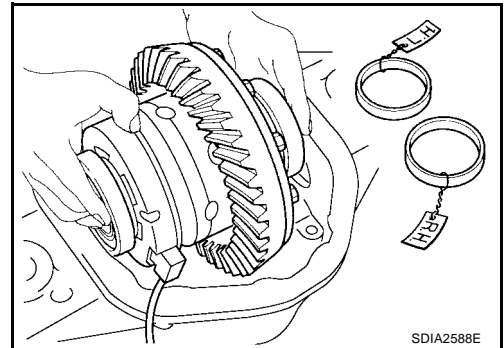
REAR FINAL DRIVE ASSEMBLY [M226 WITH ELECTRONIC LOCKING DIFFERENTIAL]

7. Remove side bearing adjusters using Tool.

Tool number : — (C-4164)



8. Keep side bearing outer races together with inner races. Do not mix them up. Also, keep side bearing adjusters together with bearing.
9. Remove side bearing adjusters from axle housing.



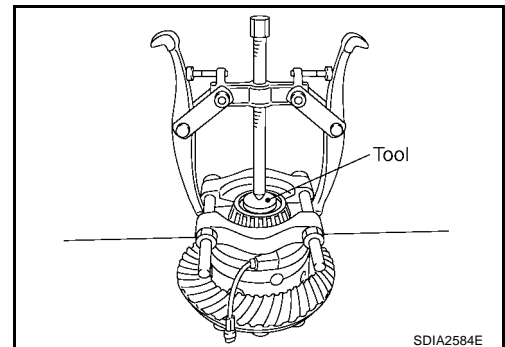
10. Remove bracket of differential lock position switch connector and bolts.
11. Remove differential lock position switch.
12. Remove side bearing inner race and washer using Tool.

Tool number : ST33081000 (—)

CAUTION:

Do not damage differential case assembly and differential lock solenoid.

13. Remove differential lock solenoid and solenoid washer.

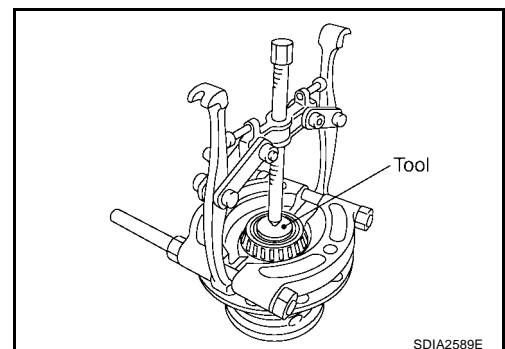


14. Remove side bearing inner race using Tool.

Tool number : ST33081000 (—)

CAUTION:

Do not damage differential case assembly.



REAR FINAL DRIVE ASSEMBLY [M226 WITH ELECTRONIC LOCKING DIFFERENTIAL]

15. For proper reinstallation, paint matching mark on differential case assembly and drive gear.

CAUTION:

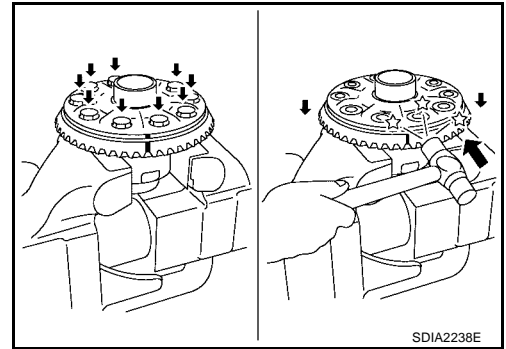
For matching mark, use paint. Do not damage differential case and drive gear.

16. Remove drive gear bolts.

17. Tap drive gear off differential case assembly using suitable tool.

CAUTION:

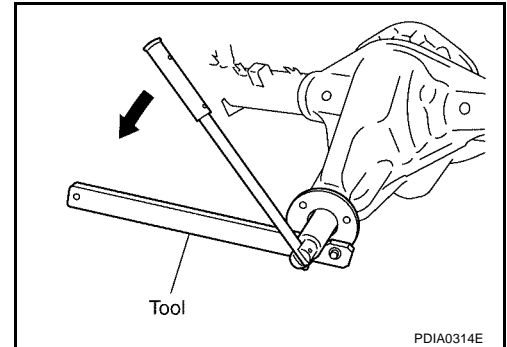
Tap evenly all around to keep drive gear from binding.



Drive Pinion Assembly

1. Remove differential case assembly. Refer to [RFD-121, "Differential Assembly"](#).
2. Remove drive pinion nut and washer using Tool.

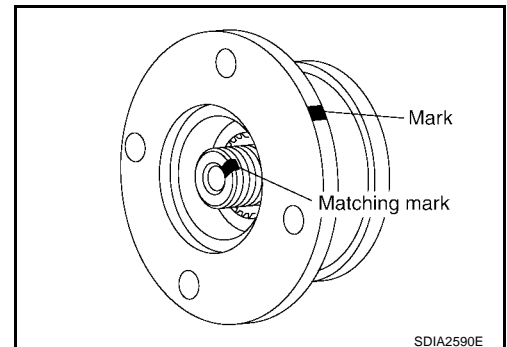
Tool number : KV40104000 (—)



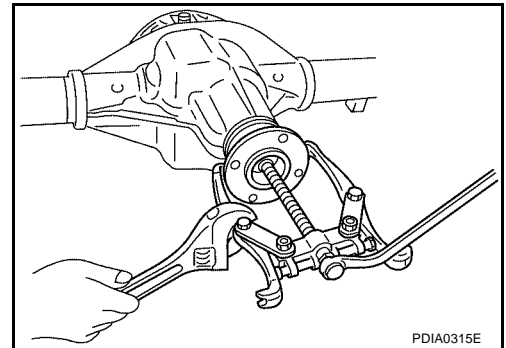
3. Put a matching mark on the thread edge of drive pinion. The mark should be in line with the mark on companion flange.

CAUTION:

For matching mark, use paint. Do not damage drive pinion.



4. Remove companion flange using suitable tool.



REAR FINAL DRIVE ASSEMBLY [M226 WITH ELECTRONIC LOCKING DIFFERENTIAL]

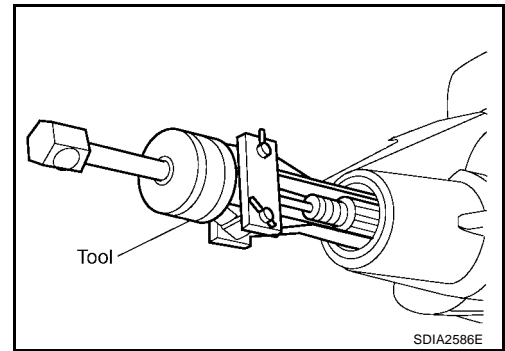
5. Remove front oil seal using Tool.

Tool number : ST33290001 (J-34286)

CAUTION:

Do not damage axle housing.

6. Remove front bearing thrust washer.

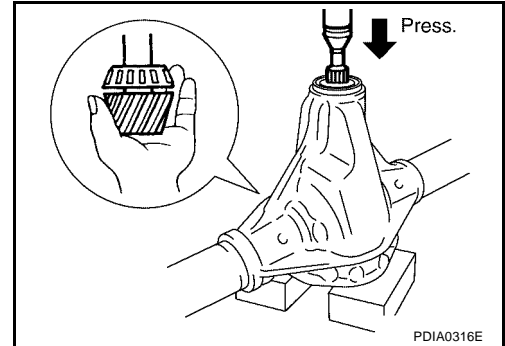


7. Remove drive pinion assembly and collapsible spacer from axle housing using press.

CAUTION:

Do not drop drive pinion assembly.

8. Remove drive pinion front bearing inner race from axle housing.



9. Tap drive pinion front bearing outer race uniformly with a brass bar or equivalent to remove.

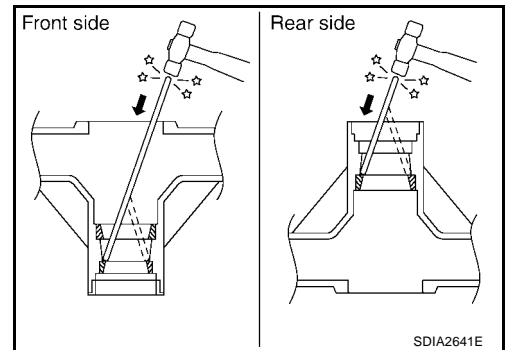
CAUTION:

Do not damage axle housing.

10. Tap drive pinion rear bearing outer race uniformly with a brass bar or equivalent for removal.

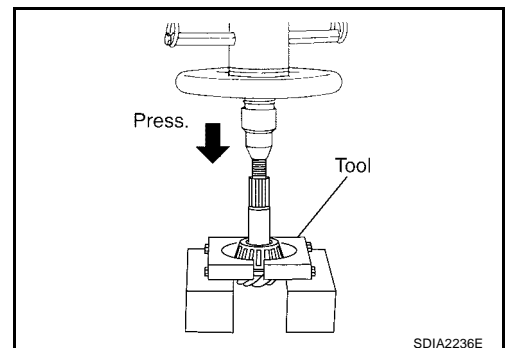
CAUTION:

Do not damage axle housing.



11. Remove drive pinion rear bearing inner race and drive pinion height adjusting washer using Tool.

Tool number : ST30021000 (J-22912-01)



REAR FINAL DRIVE ASSEMBLY

[M226 WITH ELECTRONIC LOCKING DIFFERENTIAL]

INSPECTION AFTER DISASSEMBLY

Drive Gear and Drive Pinion

- If the gear teeth do not mesh or line-up correctly, determine the cause and adjust, repair, or replace as necessary.
- If the gears are worn, cracked, damaged, pitted or chipped (by friction) noticeably, replace with new gears.
- Drive gear and drive pinion are supplied in matched sets only. Matching numbers on both drive pinion and drive gear are etched for verification. If a new gear set is being used, verify the numbers of each pinion gear and drive gear before proceeding with assembly.

Bearing

- If bearings are chipped (by friction), pitted, worn, rusted, scratched, or unusual noise is coming from bearing, replace with new bearing assembly (as a new set).
- Bearing must be replaced with a new one whenever disassembled.

Differential Case Assembly

- If the gears are worn, cracked, damaged, pitted or chipped (by friction) noticeably, replace with new differential case assembly.
- If the movement is not smooth when pushing cam ring of differential case assembly by hand, repair or replace as necessary.

Differential Lock Solenoid

- If the operating part of differential lock solenoid is not smooth, perform component inspection. Refer to [RFD-103, "COMPONENT INSPECTION"](#).

A

B

C

RFD

E

F

G

H

I

J

K

L

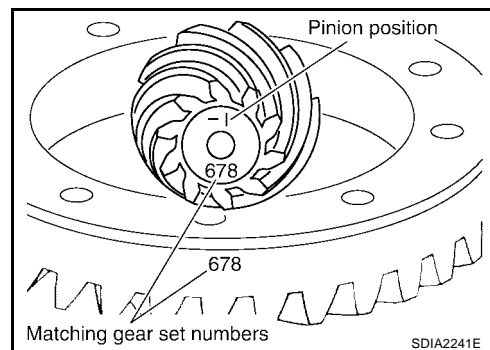
M

REAR FINAL DRIVE ASSEMBLY [M226 WITH ELECTRONIC LOCKING DIFFERENTIAL]

SELECTION ADJUSTING WASHERS

Drive Pinion Height Adjusting Washer

- Drive gear and drive pinion are supplied in matched sets only. Matching numbers on both drive pinion and drive gear are etched for verification. If a new gear set is being used, verify the numbers of each drive pinion and drive gear before proceeding with assembly.



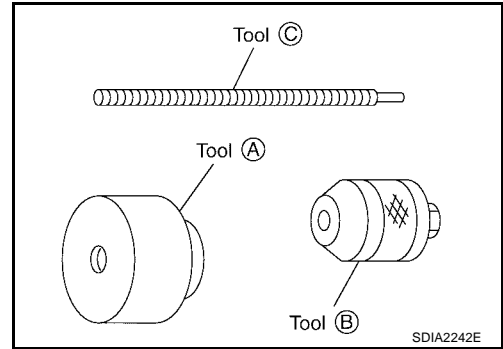
- The mounting distance from the center line of drive gear to the back face of drive pinion for the Model 226 axle assembly is 109.5 mm (4.312 in).
On the button end of each drive pinion, there is etched a plus (+) number, a minus (-) number, or a zero (0), which indicates the best running position for each particular gear set. This dimension is controlled by a selective drive pinion height adjusting washer between drive pinion inner bearing race and drive pinion. For example: If a drive pinion is etched m+8 (+3), it would require 0.08 mm (0.003 in) less drive pinion height adjusting washer than a drive pinion etched "0". This means decreasing drive pinion height adjusting washer thickness; increases the mounting distance of drive pinion to 109.6 mm (4.315 in). If a drive pinion is etched m-8 (-3), it would require adding 0.08 mm (0.003 in) more to drive pinion height adjusting washer than would be required if drive pinion were etched "0". By adding 0.08 mm (0.003 in), the mounting distance of drive pinion was decreased to 109.4 mm (4.309 in) which is just what m-8 (a-3) etching indicated.
- To change drive pinion adjustment, use different drive pinion height adjusting washers which come in different thickness.
- Use the following tables as a guide for selecting the correct drive pinion height adjusting washer thickness to add or subtract from the old drive pinion height adjusting washer.

OLD DRIVE PINION MARKING	NEW DRIVE PINION MARKING mm (in)								
	-4	-3	-2	-1	0	+1	+2	+3	+4
+4	+0.20 (+0.008)	+0.18 (+0.007)	+0.15 (+0.006)	+0.13 (+0.005)	+0.10 (+0.004)	+0.08 (+0.003)	+0.05 (+0.002)	+0.02 (+0.001)	0 (0)
+3	+0.18 (+0.007)	+0.15 (+0.006)	+0.13 (+0.005)	+0.10 (+0.004)	+0.08 (+0.003)	+0.05 (+0.002)	+0.02 (+0.001)	0 (0)	-0.02 (-0.001)
+2	+0.15 (+0.006)	+0.13 (+0.005)	+0.10 (+0.004)	+0.08 (+0.003)	+0.05 (+0.002)	+0.02 (+0.001)	0 (0)	-0.02 (-0.001)	-0.05 (-0.002)
+1	+0.13 (+0.005)	+0.10 (+0.004)	+0.08 (+0.003)	+0.05 (+0.002)	+0.02 (+0.001)	0 (0)	-0.02 (-0.001)	-0.05 (-0.002)	-0.08 (-0.003)
0	+0.10 (+0.004)	+0.08 (+0.003)	+0.05 (+0.002)	+0.02 (+0.001)	0 (0)	-0.02 (-0.001)	-0.05 (-0.002)	-0.08 (-0.003)	-0.10 (-0.004)
-1	+0.08 (+0.003)	+0.05 (+0.002)	+0.02 (+0.001)	0 (0)	-0.02 (-0.001)	-0.05 (-0.002)	-0.08 (-0.003)	-0.10 (-0.004)	-0.13 (-0.005)
-2	+0.05 (+0.002)	+0.02 (+0.001)	0 (0)	-0.02 (-0.001)	-0.05 (-0.002)	-0.08 (-0.003)	-0.10 (-0.004)	-0.13 (-0.005)	-0.15 (-0.006)
-3	+0.02 (+0.001)	0 (0)	-0.02 (-0.001)	-0.05 (-0.002)	-0.08 (-0.003)	-0.10 (-0.004)	-0.13 (-0.005)	-0.15 (-0.006)	-0.18 (-0.007)
-4	0 (0)	-0.02 (-0.001)	-0.05 (-0.002)	-0.08 (-0.003)	-0.10 (-0.004)	-0.13 (-0.005)	-0.15 (-0.006)	-0.18 (-0.007)	-0.20 (-0.008)

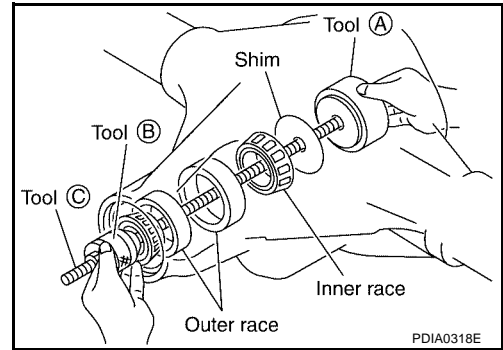
REAR FINAL DRIVE ASSEMBLY [M226 WITH ELECTRONIC LOCKING DIFFERENTIAL]

1. Make sure all parts are clean and that drive pinion bearings are well lubricated.
2. Assemble drive pinion bearings into Tools.

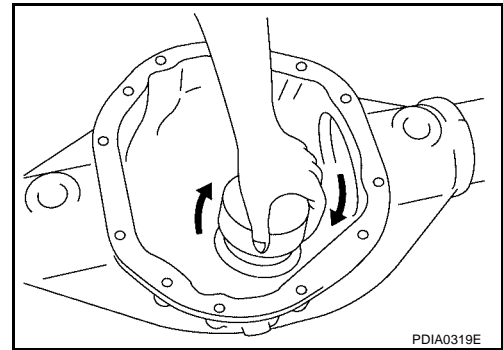
Tool number	A:	—	(8144)
	B:	—	(6740)
	C:	—	(6741)



3. Install drive pinion bearing inner race and drive pinion height adjusting washer to axle housing using Tool as shown.



4. Turn the assembly several times to seat drive pinion bearings.

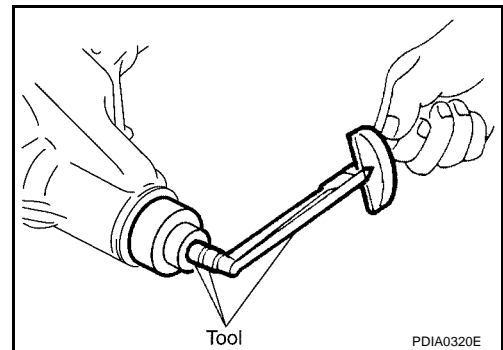


5. Measure the turning torque using Tool.

Tool number : ST3127S000 (J-25765-A)

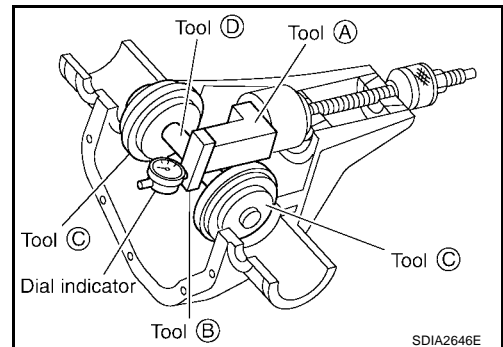
Turning torque specification:

1.2 - 2.8 N-m (0.13 - 0.28 kg-m, 11 - 24 in-lb)



6. Tighten side bearing caps to the specified torque installing Tools as shown.

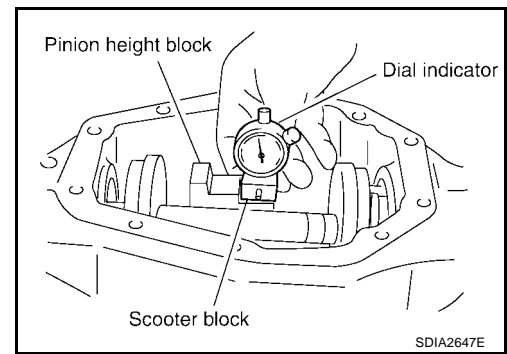
Tool number	A:	—	(6739)
	B:	—	(D-115-2)
	C:	—	(8541A-1)
	D:	—	(D-115-3)



A
B
C
RFD
E
F
G
H
I
J
K
L
M

REAR FINAL DRIVE ASSEMBLY [M226 WITH ELECTRONIC LOCKING DIFFERENTIAL]

7. Put scooter block on pinion height block. Make sure that dial indicator is level adjusting pressure with a hand. Dial indicator indicates "0".
8. Slide dial indicator along arbor. Record the maximum.
9. Adjust drive pinion height adjusting washer so that the maximum will be "0".



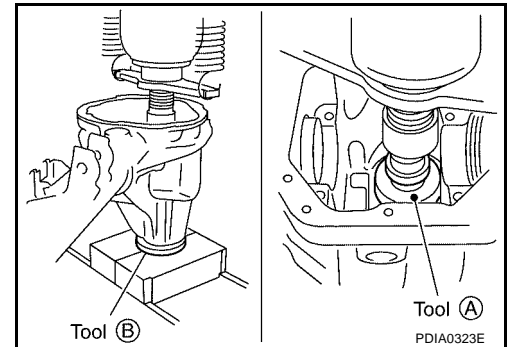
ASSEMBLY

Drive Pinion Assembly

1. Press a drive pinion rear bearing outer race into axle housing using Tools.

Tool number **A: ST01500001 (—)**
 B: ST30022000 (—)

CAUTION:
Do not reuse drive pinion rear bearing.

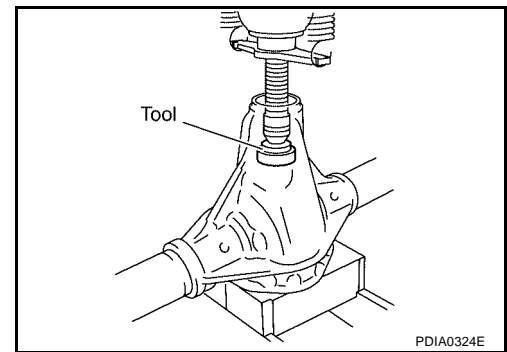


2. Press a drive pinion front bearing outer race into axle housing using Tool.

Tool number : **ST33022000 (—)**

CAUTION:
Do not reuse drive pinion front bearing.

3. Select drive pinion height adjusting washer. Refer to [RFD-126](#), "[Drive Pinion Height Adjusting Washer](#)".

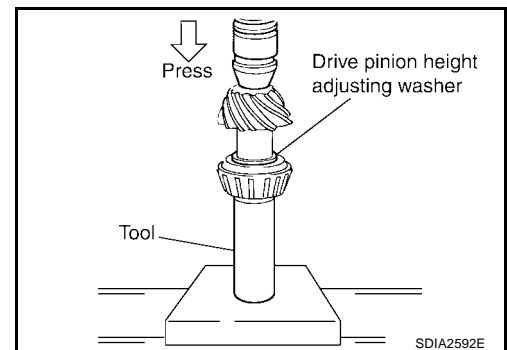


4. Press a drive pinion rear bearing inner race and drive pinion height adjusting washer to drive pinion using Tool.

Tool number : **— (C - 4040)**

CAUTION:
Do not reuse drive pinion rear bearing.

5. Apply gear oil to drive pinion rear bearing and drive pinion front bearing.
6. Install drive pinion front bearing inner race in axle housing.
7. Install front bearing thrust washer to axle housing.



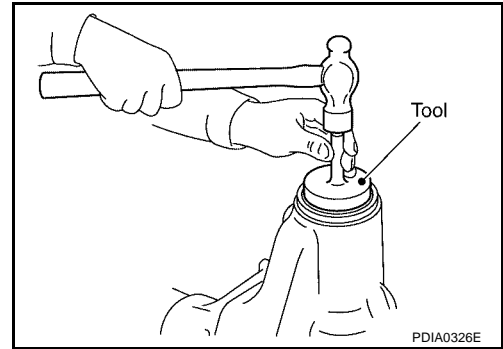
REAR FINAL DRIVE ASSEMBLY [M226 WITH ELECTRONIC LOCKING DIFFERENTIAL]

8. Apply multi-purpose grease to front oil seal lip. Install front oil seal into axle housing using Tool.

Tool number : ST15310000 (—)

CAUTION:

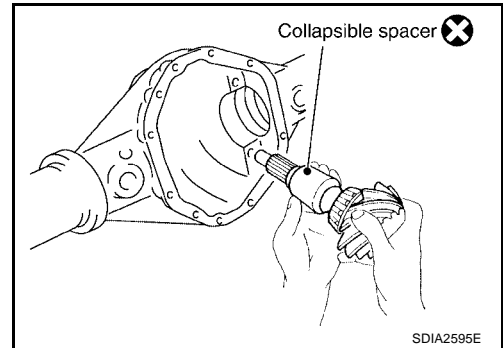
- Do not reuse oil seal.
- When installing, do not incline oil seal.



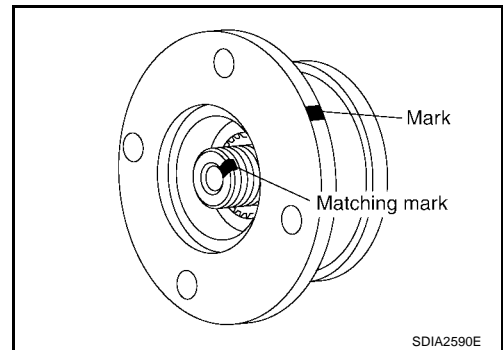
9. Install collapsible spacer to drive pinion. And then install drive pinion assembly in axle housing.

CAUTION:

- Do not reuse collapsible spacer.
- Do not damage front oil seal.



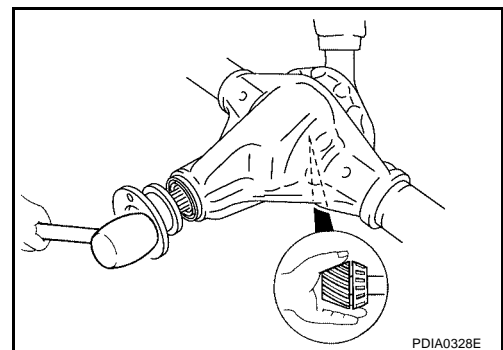
10. Align the matching mark of drive pinion with the mark of companion flange.



11. Install companion flange onto drive pinion. Tap companion flange until fully seated using suitable tool.

CAUTION:

Do not damage companion flange and front oil seal.



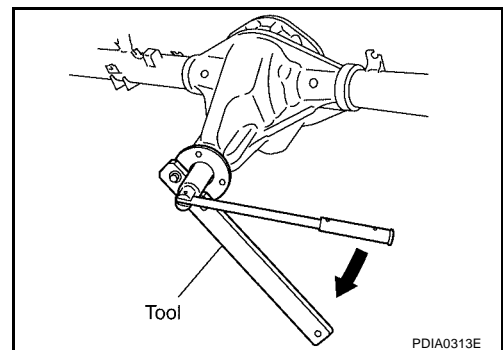
12. Install drive pinion nut and drive pinion nut washer. Tighten drive pinion nut until total preload is within specification using Tool.

- The threaded portion of drive pinion and drive pinion nut should be free from oil or grease.

Tool number : KV40104000 (—)

CAUTION:

Do not reuse drive pinion nut and drive pinion nut washer.



A
B
C
RFD

E
F
G
H
I
J
K
L
M

REAR FINAL DRIVE ASSEMBLY [M226 WITH ELECTRONIC LOCKING DIFFERENTIAL]

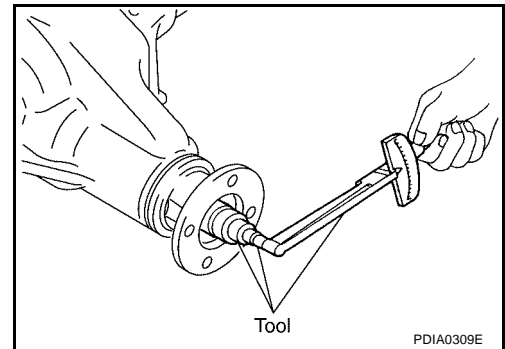
13. Tighten drive pinion nut by very small degrees until the specified preload is achieved. When checking the preload, turn drive pinion in both directions several times to set the bearing rollers using Tool.

Tool number : ST3127S000 (J-25765-A)

**Pinion bearing preload: 1.7 - 3.1 N-m (0.18 - 0.31 kg-m,
15 - 27 in-lb)**

- a. This procedure will have to be repeated if:

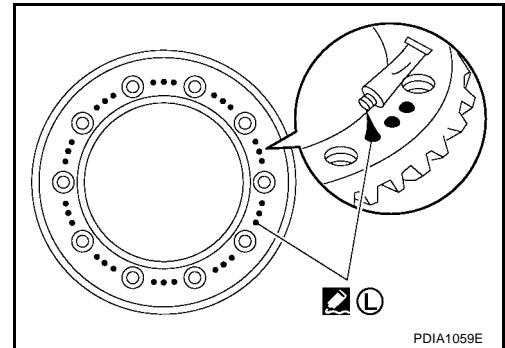
- Maximum preload is achieved before the minimum drive pinion nut torque is reached.
- Minimum preload is not achieved before maximum drive pinion nut torque is reached.



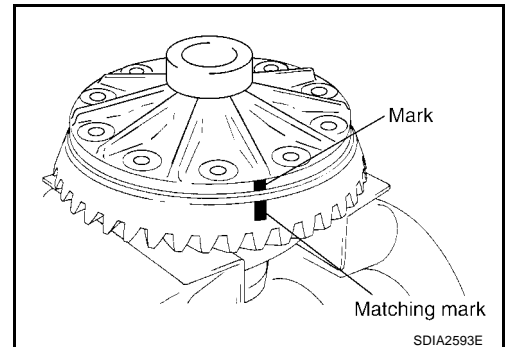
Differential Assembly

1. Apply thread locking sealant to back face of drive gear.

- **Use Genuine High Strength Thread Locking Sealant, Loctite 648 or equivalent. Refer to [GI-48, "Recommended Chemical Products and Sealants"](#).**



2. Align the matching mark of differential case assembly with the mark of drive gear, then install drive gear.

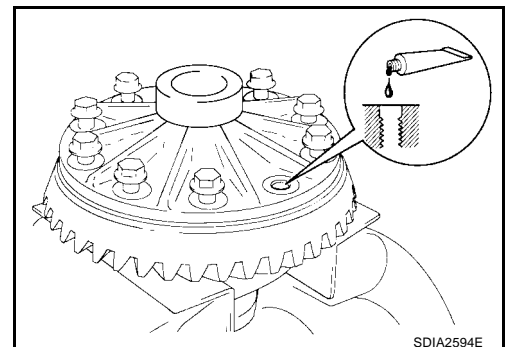


3. Apply thread locking sealant into the thread hole of drive gear.

- **Use Genuine Medium Strength Thread Locking Sealant or equivalent. Refer to [GI-48, "Recommended Chemical Products and Sealants"](#).**

CAUTION:

Make sure the drive gear back and threaded holes are clean.

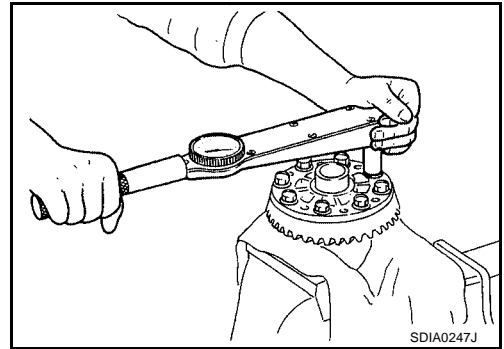


REAR FINAL DRIVE ASSEMBLY [M226 WITH ELECTRONIC LOCKING DIFFERENTIAL]

4. Install the drive gear bolts, and then tighten to the specified torque. Refer to [RFD-117, "COMPONENTS"](#).

CAUTION:

- Do not reuse the bolts.
- Tighten bolts in a crisscross fashion.

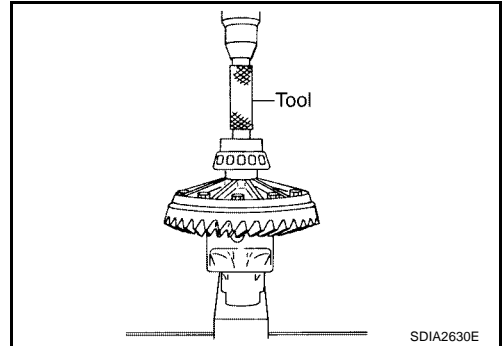


5. Press side bearing inner races to differential case assembly using Tool.

Tool number : ST33081000 (—)

CAUTION:

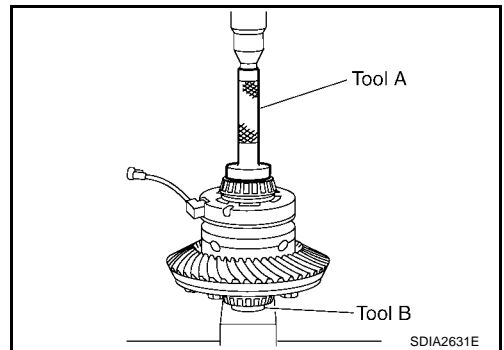
Do not reuse side bearing.



6. Install differential lock solenoid and washer.
7. Press side bearing inner races to differential case assembly using Tools.

Tool number A: KV38100300 (J-25523)

B: ST33081000 (—)



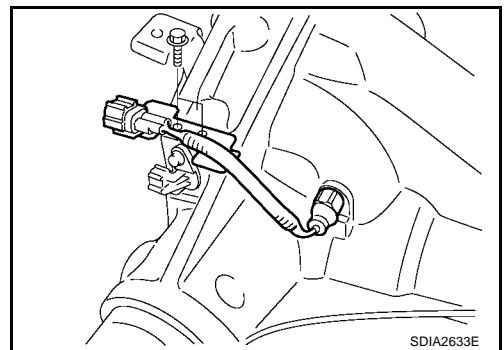
8. Apply sealant to threads of differential lock position switch.

- Use Genuine Silicone RTV or equivalent. Refer to [GI-48, "Recommended Chemical Products and Sealants"](#).

CAUTION:

Remove old sealant adhering to axle housing and differential lock position switch. Also remove any moisture, oil, or foreign material adhering to application and axle housing and differential lock position switch.

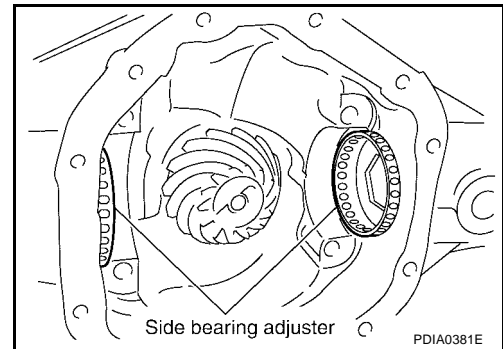
9. Install differential lock position switch on axle housing and tighten differential lock position switch bolts with the specified torque. Refer to [RFD-117, "COMPONENTS"](#).



A
B
C
RFD
E
F
G
H
I
J
K
L
M

REAR FINAL DRIVE ASSEMBLY [M226 WITH ELECTRONIC LOCKING DIFFERENTIAL]

10. Install side bearing adjusters into axle housing.

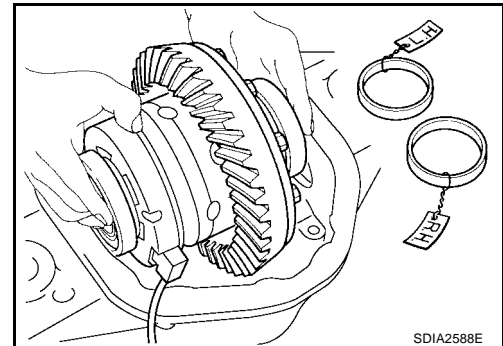


11. Apply gear oil to side bearings. Install differential case assembly with side bearing outer races into axle housing.

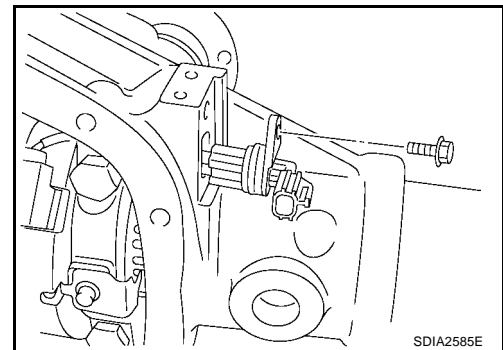
12. Apply multi-purpose grease to sensor connector.

CAUTION:

Do not reuse sensor connector.



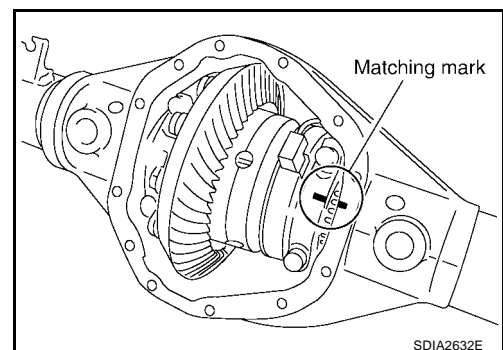
13. Connect differential lock solenoid harness and sensor connector. Then install it to axle housing, tighten to the specified torque. Refer to [RFD-117, "COMPONENTS"](#).



14. Align paint matching mark on side bearing caps with that on axle housing and install side bearing caps on axle housing.

CAUTION:

Do not tighten at this point. This allows further tightening of side bearing adjusters.



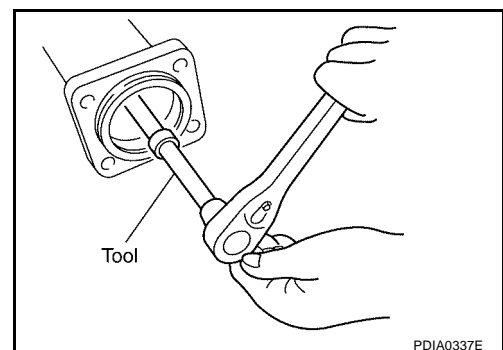
15. Tighten each side bearing adjusters using Tool.

Tool number : — (C-4164)

16. Adjusting backlash of drive gear and drive pinion. Refer to [RFD-119, "Backlash"](#).

17. Check total preload. Refer to [RFD-118, "Total Preload Torque"](#).

18. Check tooth contact. Refer to [RFD-118, "Tooth Contact"](#).



REAR FINAL DRIVE ASSEMBLY [M226 WITH ELECTRONIC LOCKING DIFFERENTIAL]

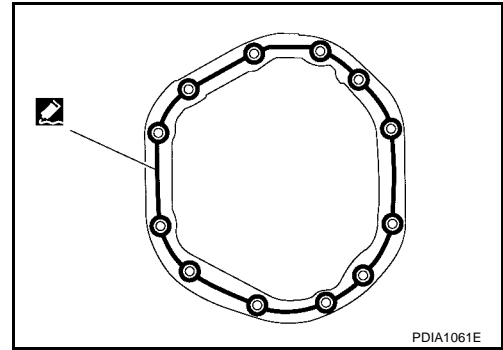
19. Apply sealant to mating surface of carrier cover.

- Use Genuine Silicone RTV or equivalent. Refer to [GI-48, "Recommended Chemical Products and Sealants"](#).

CAUTION:

Remove old sealant adhering to mating surfaces. Also remove any moisture, oil, or foreign material adhering to application and mating surfaces.

20. Install carrier cover on axle housing and tighten carrier cover bolts with the specified torque. Refer to [RFD-117, "COMPONENTS"](#).



A
B
C

RFD

E
F
G
H
I
J
K
L
M

**SERVICE DATA AND SPECIFICATIONS (SDS)
[M226 WITH ELECTRONIC LOCKING DIFFERENTIAL]**

SERVICE DATA AND SPECIFICATIONS (SDS)

PF0:00030

General Specifications

EDS00285

Applied model	VQ40DE		
	2WD	4WD	
	5A/T	6M/T	
Final drive model	M226		
Gear ratio	3.133	3.357	3.692
Number of pinion gears	2		
Number of teeth (Drive gear / drive pinion)	47/15	47/14	48/13
Oil capacity (Approx.) ℓ (US pt, Imp pt)	2.01 (4-1/4, 3-1/2)		
Drive pinion adjustment spacer type	Collapsible		

**Inspection and Adjustment
PRELOAD TORQUE**

EDS00286

Unit: N·m (kg·m, in·lb)

Item	Specification
Total preload (Drive pinion torque to rotate plus)	2.38 - 4.46 (0.25 - 0.45, 21 - 39)
Drive pinion bearing preload	1.7 - 3.1 (0.18 - 0.31, 15 - 27)

BACKLASH

Unit: mm (in)

Item	Standard
Drive gear to drive pinion gear	0.08 - 0.13 (0.0031 - 0.0051)

COMPANION FLANGE RUNOUT

Unit: mm (in)

Item	Runout limit
Companion flange face	0.10 (0.0039) or less
Inner side of companion flange	0.13 (0.0051) or less

SERVICE DATA AND SPECIFICATIONS (SDS)
[M226 WITH ELECTRONIC LOCKING DIFFERENTIAL]

SELECTIVE PARTS

Drive Pinion Height Adjusting Washer

Unit: mm (in)

Thickness	Package part number*
0.076 (0.030) 0.079 (0.031) 0.081 (0.032) 0.084 (0.033) 0.086 (0.034)	38151 8S101
0.089 (0.035) 0.091 (0.036) 0.094 (0.037) 0.097 (0.038) 0.099 (0.039)	38151 8S102
0.102 (0.040) 0.104 (0.041) 0.107 (0.042) 0.109 (0.043) 0.112 (0.044)	38151 8S103
0.114 (0.045) 0.117 (0.046) 0.119 (0.047) 0.122 (0.048) 0.124 (0.049)	38151 8S104
0.127 (0.050) 0.130 (0.051) 0.132 (0.052) 0.135 (0.053) 0.137 (0.054)	38151 8S105

*Always check with the Parts Department for the latest parts information.

A
B
C
RFD
E
F
G
H
I
J
K
L
M

SERVICE DATA AND SPECIFICATIONS (SDS)
[M226 WITH ELECTRONIC LOCKING DIFFERENTIAL]
