

**SECTION EI**  
**EXTERIOR & INTERIOR**

A  
B  
C

**CONTENTS**

<p><b>PRECAUTIONS ..... 3</b></p> <p>    Service Notice ..... 3</p> <p>    Precautions for Supplemental Restraint System (SRS) "AIR BAG" and "SEAT BELT PRE-TENSIONER" ..... 3</p> <p><b>PREPARATION ..... 4</b></p> <p>    Special Service Tools ..... 4</p> <p>    Commercial Service Tools ..... 4</p> <p><b>SQUEAK AND RATTLE TROUBLE DIAGNOSES..... 5</b></p> <p>    Work Flow ..... 5</p> <p>        CUSTOMER INTERVIEW ..... 5</p> <p>        DUPLICATE THE NOISE AND TEST DRIVE ..... 6</p> <p>        CHECK RELATED SERVICE BULLETINS ..... 6</p> <p>        LOCATE THE NOISE AND IDENTIFY THE ROOT CAUSE ..... 6</p> <p>        REPAIR THE CAUSE ..... 6</p> <p>        CONFIRM THE REPAIR ..... 7</p> <p>    Generic Squeak and Rattle Troubleshooting ..... 7</p> <p>    INSTRUMENT PANEL ..... 7</p> <p>    CENTER CONSOLE ..... 7</p> <p>    DOORS ..... 7</p> <p>    TRUNK ..... 8</p> <p>    SUNROOF/HEADLINING ..... 8</p> <p>    OVERHEAD CONSOLE (FRONT AND REAR)..... 8</p> <p>    SEATS ..... 8</p> <p>    UNDERHOOD ..... 8</p> <p>    Diagnostic Worksheet ..... 9</p> <p><b>CLIP AND FASTENER .....11</b></p> <p>    Clip and Fastener .....11</p> <p><b>FRONT BUMPER ..... 14</b></p> <p>    Removal and Installation ..... 14</p> <p>        STEEL BUMPER ..... 14</p> <p>        PLASTIC BUMPER ..... 15</p> <p><b>REAR BUMPER ..... 17</b></p> <p>    Removal and Installation ..... 17</p> <p>        REMOVAL ..... 17</p> <p>        INSTALLATION ..... 18</p>	<p><b>FRONT GRILLE ..... 19</b></p> <p>    Removal and Installation ..... 19</p> <p>        REMOVAL ..... 19</p> <p>        INSTALLATION ..... 19</p> <p><b>COWL TOP ..... 20</b></p> <p>    Removal and Installation ..... 20</p> <p>        REMOVAL ..... 20</p> <p>        INSTALLATION ..... 20</p> <p><b>FRONT FENDER ..... 21</b></p> <p>    Removal and Installation ..... 21</p> <p>        REMOVAL ..... 21</p> <p>        INSTALLATION ..... 21</p> <p><b>FENDER PROTECTOR ..... 22</b></p> <p>    Components ..... 22</p> <p>    Removal and Installation of Front Fender Protector.. 23</p> <p>        REMOVAL ..... 23</p> <p>        INSTALLATION ..... 24</p> <p>    Removal and Installation of Rear Fender Protector.. 24</p> <p>        REMOVAL ..... 24</p> <p>        INSTALLATION ..... 24</p> <p><b>MUDGUARD ..... 25</b></p> <p>    Removal and Installation ..... 25</p> <p><b>RUNNING BOARDS ..... 26</b></p> <p>    Removal and Installation ..... 26</p> <p>        REMOVAL ..... 27</p> <p>        INSTALLATION ..... 27</p> <p><b>ROOF RACK ..... 28</b></p> <p>    Removal and Installation ..... 28</p> <p>        REMOVAL ..... 28</p> <p>        INSTALLATION ..... 28</p> <p><b>DOOR OUTSIDE MOLDING ..... 29</b></p> <p>    Removal and Installation ..... 29</p> <p>        FRONT DOOR OUTSIDE MOLDING ..... 29</p> <p><b>SIDE GUARD MOLDING ..... 30</b></p> <p>    Removal and Installation ..... 30</p> <p>        REMOVAL ..... 31</p> <p>        INSTALLATION ..... 31</p>
----------------------------------------------------------------------------------------------------------------------------------------------------------------------------------------------------------------------------------------------------------------------------------------------------------------------------------------------------------------------------------------------------------------------------------------------------------------------------------------------------------------------------------------------------------------------------------------------------------------------------------------------------------------------------------------------------------------------------------------------------------------------------------------------------------------------------------------------------------------------------------------------------------------------------------------------------------------------------------------------------------------------------------------------------------------------------------------------------------------------------------------------------------------------------------------------------------------------------------------------------------------------------------------------------------------------------------------------------------------------------------------------------------------------------------------------------------------------------------------------	---------------------------------------------------------------------------------------------------------------------------------------------------------------------------------------------------------------------------------------------------------------------------------------------------------------------------------------------------------------------------------------------------------------------------------------------------------------------------------------------------------------------------------------------------------------------------------------------------------------------------------------------------------------------------------------------------------------------------------------------------------------------------------------------------------------------------------------------------------------------------------------------------------------------------------------------------------------------------------------------------------------------------------------------------------------------------------------------------------------------------------------------------------------------------------------------------------------------------------------------------------------------------------------------------------------------------------------------------------------------------------------------------------------------------------------------------------------------------------------------------------------------

D  
E

F  
G

H  
EI

J  
K

L  
M

<b>DOOR FINISHER</b> .....	<b>32</b>	<b>FLOOR TRIM</b> .....	<b>40</b>
Removal and Installation .....	32	Removal and Installation .....	40
FRONT DOOR .....	32	.....	41
REAR DOOR - CREW CAB .....	33	REMOVAL .....	41
REAR DOOR - KING CAB .....	34	INSTALLATION .....	41
<b>BODY SIDE TRIM</b> .....	<b>35</b>	<b>HEADLINING</b> .....	<b>42</b>
Components .....	35	Removal and Installation .....	42
CREW CAB .....	35	REMOVAL .....	43
KING CAB .....	36	INSTALLATION .....	43
Removal and installation .....	36	<b>BED RAILS AND TRIM</b> .....	<b>44</b>
LOWER DASH SIDE FINISHER .....	36	Removal and Installation .....	44
CENTER PILLAR LOWER FINISHER .....	37	REMOVAL .....	45
CENTER PILLAR UPPER FINISHER .....	37	INSTALLATION .....	45
FRONT PILLAR UPPER FINISHER .....	37	<b>TAIL GATE FINISHER</b> .....	<b>46</b>
FRONT PILLAR LOWER FINISHER .....	37	Removal and Installation .....	46
KICK PLATES .....	37	REMOVAL .....	46
REAR .....	38	INSTALLATION .....	46

# PRECAUTIONS

## PRECAUTIONS

PFP:00001

### Service Notice

EIS0055R

- When removing or installing various parts, place a cloth or padding on the vehicle body to prevent scratches.
- Handle trim, molding, instruments, grille, etc. carefully during removing or installing. Be careful not to soil or damage them.
- Apply sealing compound where necessary when installing parts.
- When applying sealing compound, be careful that the sealing compound does not protrude from parts.
- When replacing any metal parts (for example body outer panel, members, etc.), be sure to take rust prevention measures.

### Precautions for Supplemental Restraint System (SRS) “AIR BAG” and “SEAT BELT PRE-TENSIONER”

EIS0055S

The Supplemental Restraint System such as “AIR BAG” and “SEAT BELT PRE-TENSIONER”, used along with a front seat belt, helps to reduce the risk or severity of injury to the driver and front passenger for certain types of collision. This system includes seat belt switch inputs and dual stage front air bag modules. The SRS system uses the seat belt switches to determine the front air bag deployment, and may only deploy one front air bag, depending on the severity of a collision and whether the front occupants are belted or unbelted. Information necessary to service the system safely is included in the SRS and SB section of this Service Manual.

#### **WARNING:**

- **To avoid rendering the SRS inoperative, which could increase the risk of personal injury or death in the event of a collision which would result in air bag inflation, all maintenance must be performed by an authorized NISSAN/INFINITI dealer.**
- **Improper maintenance, including incorrect removal and installation of the SRS, can lead to personal injury caused by unintentional activation of the system. For removal of Spiral Cable and Air Bag Module, see the SRS section.**
- **Do not use electrical test equipment on any circuit related to the SRS unless instructed to in this Service Manual. SRS wiring harnesses can be identified by yellow and/or orange harnesses or harness connectors.**

A  
B  
C  
D  
E  
F  
G  
H  
EI  
J  
K  
L  
M

# PREPARATION

## PREPARATION

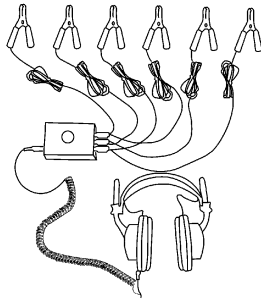
PF0:00002

### Special Service Tools

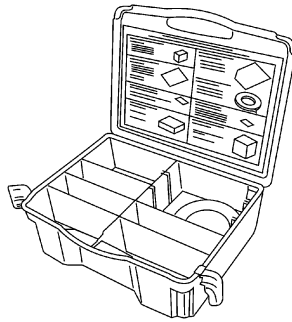
EIS0055T

The actual shapes of Kent-Moore tools may differ from those of special service tools illustrated here.

Tool number (Kent-Moore No.) Tool name	Description
— (J-39570) Chassis ear	Locating the noise
— (J-43980) NISSAN Squeak and Rattle kit	Repairing the cause of noise



SBT839

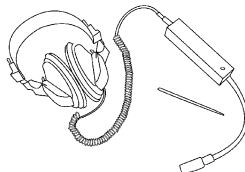


SBT840

### Commercial Service Tools

EIS0055U

(Kent-Moore No.) Tool name	Description
(J-39565) Engine ear	Locating the noise



SIIA0995E

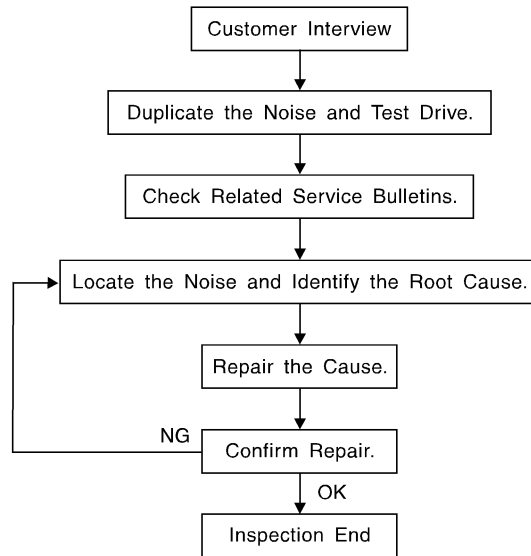
# SQUEAK AND RATTLE TROUBLE DIAGNOSES

## SQUEAK AND RATTLE TROUBLE DIAGNOSES

PF0:0000

### Work Flow

EIS0055V



SBT842

### CUSTOMER INTERVIEW

Interview the customer if possible, to determine the conditions that exist when the noise occurs. Use the Diagnostic Worksheet during the interview to document the facts and conditions when the noise occurs and any customer's comments; refer to [EI-9, "Diagnostic Worksheet"](#). This information is necessary to duplicate the conditions that exist when the noise occurs.

- The customer may not be able to provide a detailed description or the location of the noise. Attempt to obtain all the facts and conditions that exist when the noise occurs (or does not occur).
- If there is more than one noise in the vehicle, be sure to diagnose and repair the noise that the customer is concerned about. This can be accomplished by test driving the vehicle with the customer.
- After identifying the type of noise, isolate the noise in terms of its characteristics. The noise characteristics are provided so the customer, service adviser and technician are all speaking the same language when defining the noise.
- Squeak —(Like tennis shoes on a clean floor)  
Squeak characteristics include the light contact/fast movement/brought on by road conditions/hard surfaces = higher pitch noise/softer surfaces = lower pitch noises/edge to surface = chirping.
- Creak—(Like walking on an old wooden floor)  
Creak characteristics include firm contact/slow movement/twisting with a rotational movement/pitch dependent on materials/often brought on by activity.
- Rattle—(Like shaking a baby rattle)  
Rattle characteristics include the fast repeated contact/vibration or similar movement/loose parts/missing clip or fastener/incorrect clearance.
- Knock —(Like a knock on a door)  
Knock characteristics include hollow sounding/sometimes repeating/often brought on by driver action.
- Tick—(Like a clock second hand)  
Tick characteristics include gentle contacting of light materials/loose components/can be caused by driver action or road conditions.
- Thump—(Heavy, muffled knock noise)  
Thump characteristics include softer knock/dead sound often brought on by activity.
- Buzz—(Like a bumble bee)  
Buzz characteristics include high frequency rattle/firm contact.
- Often the degree of acceptable noise level will vary depending upon the person. A noise that you may judge as acceptable may be very irritating to the customer.
- Weather conditions, especially humidity and temperature, may have a great effect on noise level.

# SQUEAK AND RATTLE TROUBLE DIAGNOSES

## DUPLICATE THE NOISE AND TEST DRIVE

If possible, drive the vehicle with the customer until the noise is duplicated. Note any additional information on the Diagnostic Worksheet regarding the conditions or location of the noise. This information can be used to duplicate the same conditions when you confirm the repair.

If the noise can be duplicated easily during the test drive, to help identify the source of the noise, try to duplicate the noise with the vehicle stopped by doing one or all of the following:

- 1) Close a door.
  - 2) Tap or push/pull around the area where the noise appears to be coming from.
  - 3) Rev the engine.
  - 4) Use a floor jack to recreate vehicle "twist".
  - 5) At idle, apply engine load (electrical load, half-clutch on M/T model, drive position on A/T model).
  - 6) Raise the vehicle on a hoist and hit a tire with a rubber hammer.
- Drive the vehicle and attempt to duplicate the conditions the customer states exist when the noise occurs.
  - If it is difficult to duplicate the noise, drive the vehicle slowly on an undulating or rough road to stress the vehicle body.

## CHECK RELATED SERVICE BULLETINS

After verifying the customer concern or symptom, check ASIST for Technical Service Bulletins (TSBs) related to that concern or symptom.

If a TSB relates to the symptom, follow the procedure to repair the noise.

## LOCATE THE NOISE AND IDENTIFY THE ROOT CAUSE

1. Narrow down the noise to a general area. To help pinpoint the source of the noise, use a listening tool (Chassis Ear: J-39570, Engine Ear: J-39565 and mechanic's stethoscope).
2. Narrow down the noise to a more specific area and identify the cause of the noise by:
  - removing the components in the area that you suspect the noise is coming from. Do not use too much force when removing clips and fasteners, otherwise clips and fasteners can be broken or lost during the repair, resulting in the creation of new noise.
  - tapping or pushing/pulling the component that you suspect is causing the noise. Do not tap or push/pull the component with excessive force, otherwise the noise will be eliminated only temporarily.
  - feeling for a vibration with your hand by touching the component(s) that you suspect is (are) causing the noise.
  - placing a piece of paper between components that you suspect are causing the noise.
  - looking for loose components and contact marks.  
Refer to [EI-7, "Generic Squeak and Rattle Troubleshooting"](#).

## REPAIR THE CAUSE

- If the cause is a loose component, tighten the component securely.
- If the cause is insufficient clearance between components:
  - separate components by repositioning or loosening and retightening the component, if possible.
  - insulate components with a suitable insulator such as urethane pads, foam blocks, felt cloth tape or urethane tape. A NISSAN Squeak and Rattle Kit (J-43980) is available through your authorized NISSAN Parts Department.

### CAUTION:

**Do not use excessive force as many components are constructed of plastic and may be damaged.**

**Always check with the Parts Department for the latest parts information.**

**The following materials are contained in the NISSAN Squeak and Rattle Kit (J-43980). Each item can be ordered separately as needed.**

**URETHANE PADS [1.5 mm (0.059 in) thick]**

**Insulates connectors, harness, etc.**

**76268-9E005: 100×135 mm (3.94×5.31 in)/76884-71L01: 60×85 mm (2.36×3.35 in)/76884-71L02: 15×25 mm (0.59×0.98 in)**

**INSULATOR (Foam blocks)**

**Insulates components from contact. Can be used to fill space behind a panel.**

**73982-9E000: 45 mm (1.77 in) thick, 50×50 mm (1.97×1.97 in)/73982-50Y00: 10 mm (0.39 in) thick, 50×50 mm (1.97×1.97 in)**

**INSULATOR (Light foam block)**

# SQUEAK AND RATTLE TROUBLE DIAGNOSES

**80845-71L00: 30 mm (1.18 in) thick, 30×50 mm (1.18×1.97 in)**

## FELT CLOTH TAPE

Used to insulate where movement does not occur. Ideal for instrument panel applications.

**68370-4B000: 15×25 mm (0.59×0.98 in) pad/68239-13E00: 5 mm (0.20 in) wide tape roll.** The following materials not found in the kit can also be used to repair squeaks and rattles.

## UHMW (TEFLON) TAPE

Insulates where slight movement is present. Ideal for instrument panel applications.

## SILICONE GREASE

Used instead of UHMW tape that will be visible or not fit.

**Note: Will only last a few months.**

## SILICONE SPRAY

Use when grease cannot be applied.

## DUCT TAPE

Use to eliminate movement.

## CONFIRM THE REPAIR

Confirm that the cause of a noise is repaired by test driving the vehicle. Operate the vehicle under the same conditions as when the noise originally occurred. Refer to the notes on the Diagnostic Worksheet.

## Generic Squeak and Rattle Troubleshooting

EIS0055W

Refer to Table of Contents for specific component removal and installation information.

## INSTRUMENT PANEL

Most incidents are caused by contact and movement between:

1. The cluster lid A and instrument panel
2. Acrylic lens and combination meter housing
3. Instrument panel to front pillar garnish
4. Instrument panel to windshield
5. Instrument panel mounting pins
6. Wiring harnesses behind the combination meter
7. A/C defroster duct and duct joint

These incidents can usually be located by tapping or moving the components to duplicate the noise or by pressing on the components while driving to stop the noise. Most of these incidents can be repaired by applying felt cloth tape or silicone spray (in hard to reach areas). Urethane pads can be used to insulate wiring harness.

### CAUTION:

**Do not use silicone spray to isolate a squeak or rattle. If you saturate the area with silicone, you will not be able to recheck the repair.**

## CENTER CONSOLE

Components to pay attention to include:

1. Shifter assembly cover to finisher
2. A/C control unit and cluster lid C
3. Wiring harnesses behind audio and A/C control unit

The instrument panel repair and isolation procedures also apply to the center console.

## DOORS

Pay attention to the:

1. Finisher and inner panel making a slapping noise
2. Inside handle escutcheon to door finisher
3. Wiring harnesses tapping
4. Door striker out of alignment causing a popping noise on starts and stops

Tapping or moving the components or pressing on them while driving to duplicate the conditions can isolate many of these incidents. You can usually insulate the areas with felt cloth tape or insulator foam blocks from the NISSAN Squeak and Rattle Kit (J-43980) to repair the noise.

# SQUEAK AND RATTLE TROUBLE DIAGNOSES

---

## TRUNK

Trunk noises are often caused by a loose jack or loose items put into the trunk by the owner. In addition look for:

1. Trunk lid bumpers out of adjustment
2. Trunk lid striker out of adjustment
3. The trunk lid torsion bars knocking together
4. A loose license plate or bracket

Most of these incidents can be repaired by adjusting, securing or insulating the item(s) or component(s) causing the noise.

## SUNROOF/HEADLINING

Noises in the sunroof/headlining area can often be traced to one of the following:

1. Sunroof lid, rail, linkage or seals making a rattle or light knocking noise
2. Sun visor shaft shaking in the holder
3. Front or rear windshield touching headliner and squeaking

Again, pressing on the components to stop the noise while duplicating the conditions can isolate most of these incidents. Repairs usually consist of insulating with felt cloth tape.

## OVERHEAD CONSOLE (FRONT AND REAR)

Overhead console noises are often caused by the console panel clips not being engaged correctly. Most of these incidents are repaired by pushing up on the console at the clip locations until the clips engage.

In addition look for:

1. Loose harness or harness connectors.
2. Front console map/reading lamp lens loose.
3. Loose screws at console attachment points.

## SEATS

When isolating seat noise it's important to note the position the seat is in and the load placed on the seat when the noise is present. These conditions should be duplicated when verifying and isolating the cause of the noise.

Cause of seat noise include:

1. Headrest rods and holder
2. A squeak between the seat pad cushion and frame
3. The rear seatback lock and bracket

These noises can be isolated by moving or pressing on the suspected components while duplicating the conditions under which the noise occurs. Most of these incidents can be repaired by repositioning the component or applying urethane tape to the contact area.

## UNDERHOOD

Some interior noise may be caused by components under the hood or on the engine wall. The noise is then transmitted into the passenger compartment.

Causes of transmitted underhood noise include:

1. Any component mounted to the engine wall
2. Components that pass through the engine wall
3. Engine wall mounts and connectors
4. Loose radiator mounting pins
5. Hood bumpers out of adjustment
6. Hood striker out of adjustment

These noises can be difficult to isolate since they cannot be reached from the interior of the vehicle. The best method is to secure, move or insulate one component at a time and test drive the vehicle. Also, engine RPM or load can be changed to isolate the noise. Repairs can usually be made by moving, adjusting, securing, or insulating the component causing the noise.



# SQUEAK AND RATTLE TROUBLE DIAGNOSES

EIS0055X

## Diagnostic Worksheet

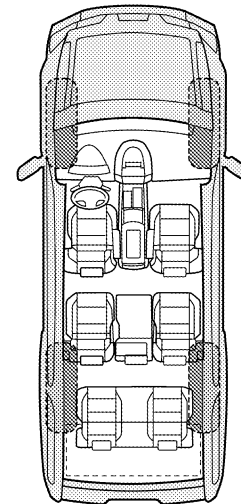
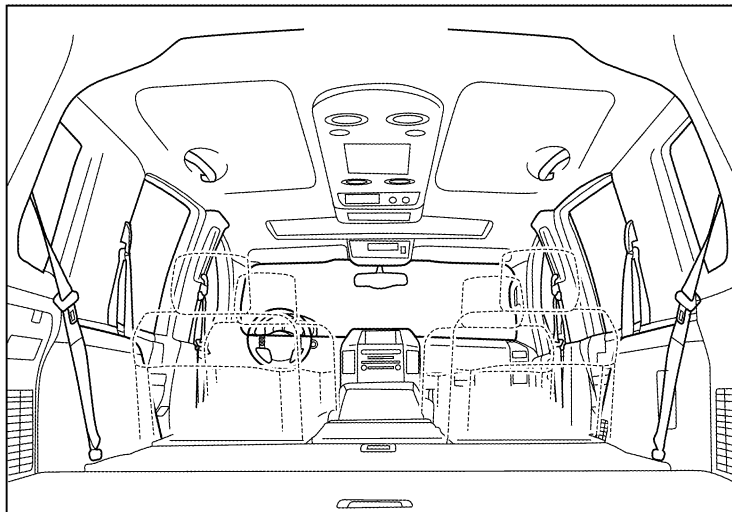
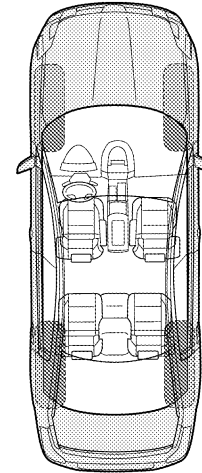
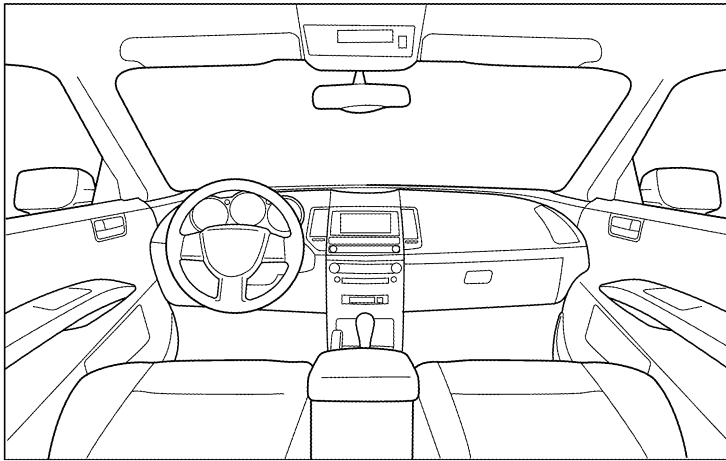
Dear Customer:

We are concerned about your satisfaction with your vehicle. Repairing a squeak or rattle sometimes can be very difficult. To help us fix your vehicle right the first time, please take a moment to note the area of the vehicle where the squeak or rattle occurs and under what conditions. You may be asked to take a test drive with a service advisor or technician to ensure we confirm the noise you are hearing.

### SQUEAK & RATTLE DIAGNOSTIC WORKSHEET

#### I. WHERE DOES THE NOISE COME FROM? (circle the area of the vehicle)

The illustrations are for reference only, and may not reflect the actual configuration of your vehicle.



Continue to page 2 of the worksheet and briefly describe the location of the noise or rattle. In addition, please indicate the conditions which are present when the noise occurs.

A  
B  
C  
D  
E  
F  
G  
H  
EI  
J  
K  
L  
M

# SQUEAK AND RATTLE TROUBLE DIAGNOSES

## SQUEAK & RATTLE DIAGNOSTIC WORKSHEET - page 2

Briefly describe the location where the noise occurs:

---

---

### II. WHEN DOES IT OCCUR? (please check the boxes that apply)

- |                                                       |                                                        |
|-------------------------------------------------------|--------------------------------------------------------|
| <input type="checkbox"/> Anytime                      | <input type="checkbox"/> After sitting out in the rain |
| <input type="checkbox"/> 1st time in the morning      | <input type="checkbox"/> When it is raining or wet     |
| <input type="checkbox"/> Only when it is cold outside | <input type="checkbox"/> Dry or dusty conditions       |
| <input type="checkbox"/> Only when it is hot outside  | <input type="checkbox"/> Other:                        |

### III. WHEN DRIVING:

- Through driveways
- Over rough roads
- Over speed bumps
- Only about \_\_\_\_ mph
- On acceleration
- Coming to a stop
- On turns: left, right or either (circle)
- With passengers or cargo
- Other: \_\_\_\_\_
- After driving \_\_\_\_ miles or \_\_\_\_ minutes

### IV. WHAT TYPE OF NOISE

- Squeak (like tennis shoes on a clean floor)
- Creak (like walking on an old wooden floor)
- Rattle (like shaking a baby rattle)
- Knock (like a knock at the door)
- Tick (like a clock second hand)
- Thump (heavy muffled knock noise)
- Buzz (like a bumble bee)

## TO BE COMPLETED BY DEALERSHIP PERSONNEL

### Test Drive Notes:

---

---

---

	YES	NO	Initials of person performing
Vehicle test driven with customer	<input type="checkbox"/>	<input type="checkbox"/>	_____
- Noise verified on test drive	<input type="checkbox"/>	<input type="checkbox"/>	_____
- Noise source located and repaired	<input type="checkbox"/>	<input type="checkbox"/>	_____
- Follow up test drive performed to confirm repair	<input type="checkbox"/>	<input type="checkbox"/>	_____

VIN: \_\_\_\_\_ Customer Name \_\_\_\_\_

W.O.# \_\_\_\_\_ Date: \_\_\_\_\_

This form must be attached to Work Order

LAI0071E


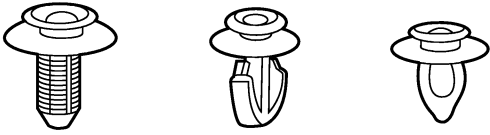


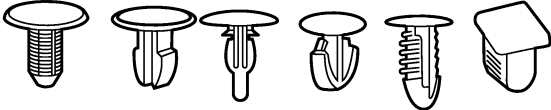
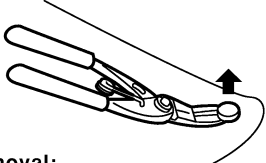

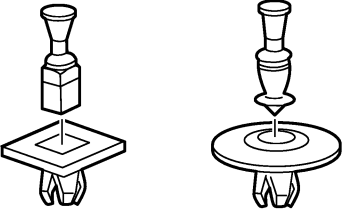
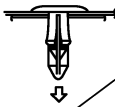
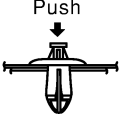

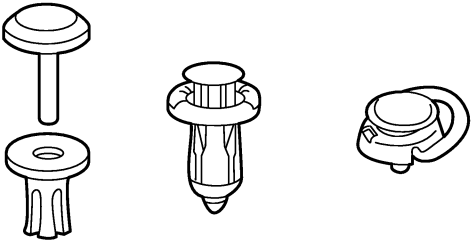


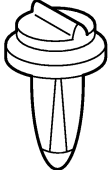
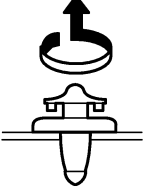
# CLIP AND FASTENER

PFP:76906

## CLIP AND FASTENER

### Clip and Fastener


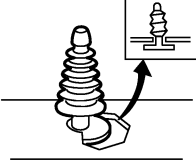
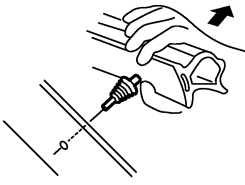

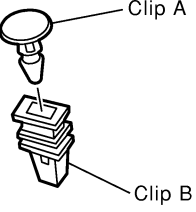
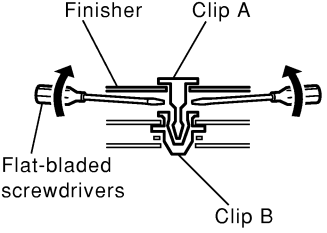

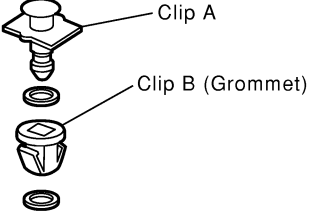
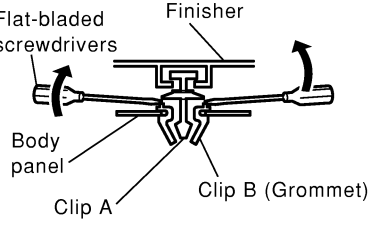
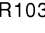

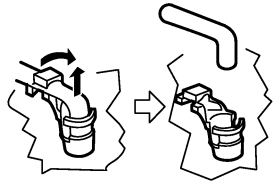

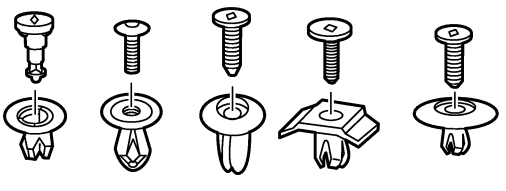

EIS0055Y

Symbol No.	Shapes	Removal & Installation
<p>C101</p> 		<p><b>Removal:</b> Remove by bending up with flat-bladed screwdrivers or clip remover.</p> 
<p>C103</p> 		<p><b>Removal:</b> Remove with a clip remover.</p> 
<p>C203</p> 		<p><b>Removal:</b> Push center pin to catching position. (Do not remove center pin by hitting it.)</p> <p>Push</p>  <p><b>Installation:</b></p> <p>Push</p> 
<p>C205</p> 		<p><b>Removal:</b> Flat-bladed screwdriver</p>  <p>Clip</p> <p>Finisher</p>
<p>C206</p> 		<p><b>Removal:</b></p> 

A  
B  
C  
D  
E  
F  
G  
H  
EI  
J  
K  
L  
M


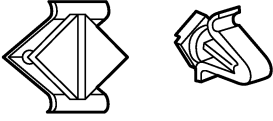

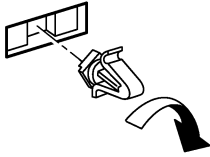

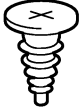



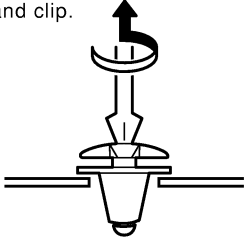


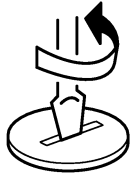
SIA0315E

# CLIP AND FASTENER

Symbol No.	Shapes	Removal & Installation
<p>CE103</p> 		<p><b>Removal:</b></p> 
<p>CF110</p> 		<p><b>Removal:</b></p> 
<p>CF118</p> 		<p><b>Removal:</b></p> 
<p>CR103</p> 		<p><b>Removal:</b> Holder portion of clip must be spread out to remove rod.</p> 
<p>CS101</p> 		<p><b>Removal:</b></p> <ol style="list-style-type: none"> <li>1. Screw out with a Phillips screwdriver.</li> <li>2. Remove female portion with flat-bladed screwdriver.</li> </ol> 

SIIA0316E

# CLIP AND FASTENER

Symbol No.	Shapes	Removal & Installation	
CG101 		<b>Removal:</b>  Rotate 45° to remove	<b>Installation:</b> 
CS102 			
CS113 		<b>Removal:</b> Disconnect upper connection of clip with a flat-bladed screwdriver, then remove clip while inserting a flat-bladed screwdriver between body panel and clip. 	
C111 			

A  
B  
C  
D  
E  
F  
G  
H  
EI  
J  
K  
L  
M

SIA0317E

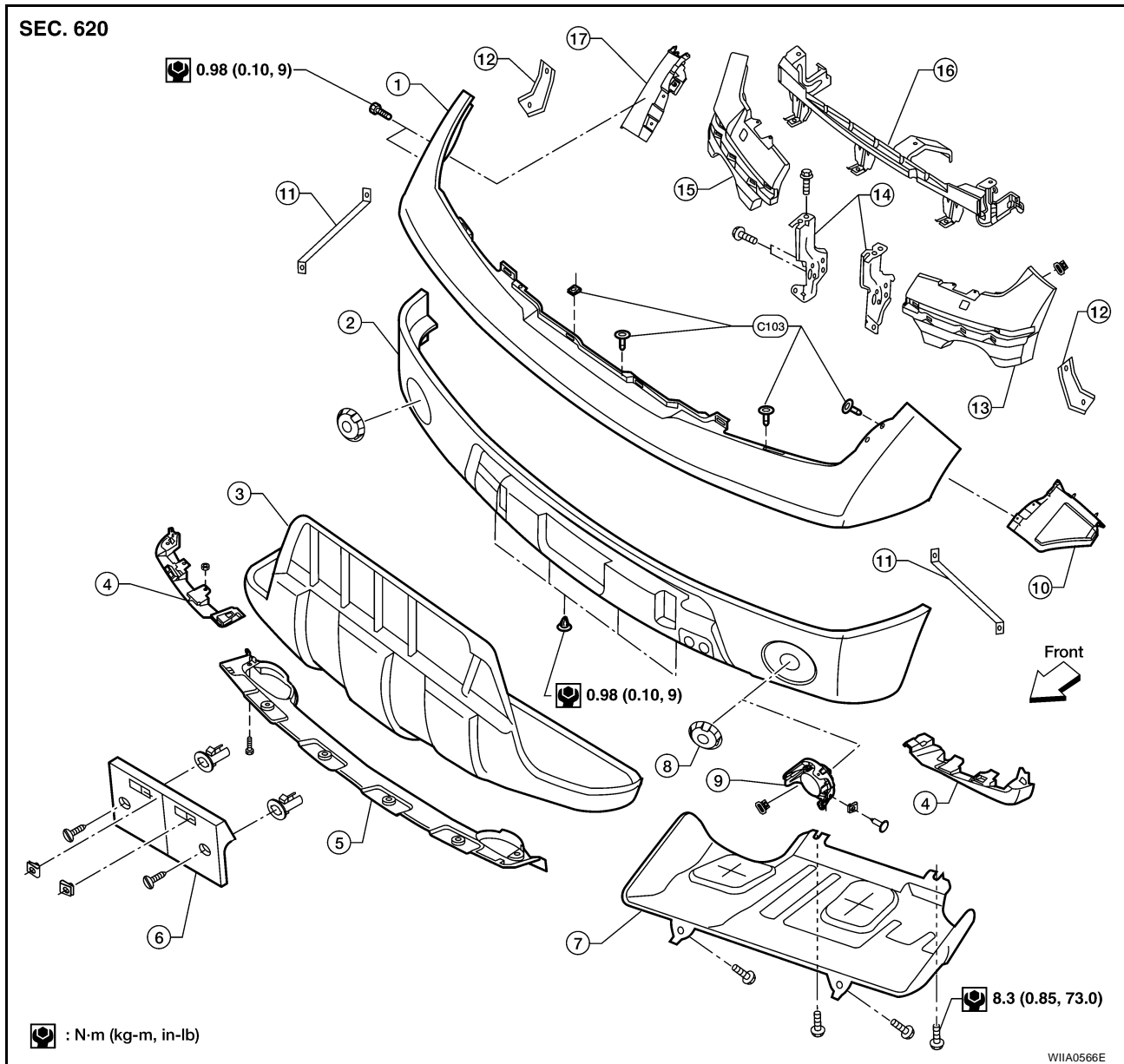
# FRONT BUMPER

## FRONT BUMPER

PFP:F2022

### Removal and Installation STEEL BUMPER

EIS0055Z



- |                                   |                                            |                                           |
|-----------------------------------|--------------------------------------------|-------------------------------------------|
| 1. Front bumper upper valance     | 2. Front bumper assembly                   | 3. Front bumper lower valance             |
| 4. Front valance RH/LH            | 5. Front valance center                    | 6. Front license plate bracket            |
| 7. Engine undercover              | 8. Fog lamp opening finisher (if equipped) | 9. Fog lamp (if equipped)                 |
| 10. Front bumper stay LH          | 11. Front bumper side brace                | 12. Front bumper reinforcement stay RH/LH |
| 13. Front bumper reinforcement LH | 14. Front bumper bracket RH/LH             | 15. Front bumper reinforcement RH         |
| 16. Front bumper bracket center   | 17. Front bumper stay RH                   |                                           |

### Removal

1. Remove radiator grille. Refer to [EI-19, "FRONT GRILLE"](#).
2. Remove front valance LH, center, then RH.
3. Disconnect front valance lower from engine undercover.
4. Remove front bumper stays LH and RH.
5. Disconnect fog lamp harnesses, if equipped.
6. Remove front bumper reinforcement stays RH and LH.

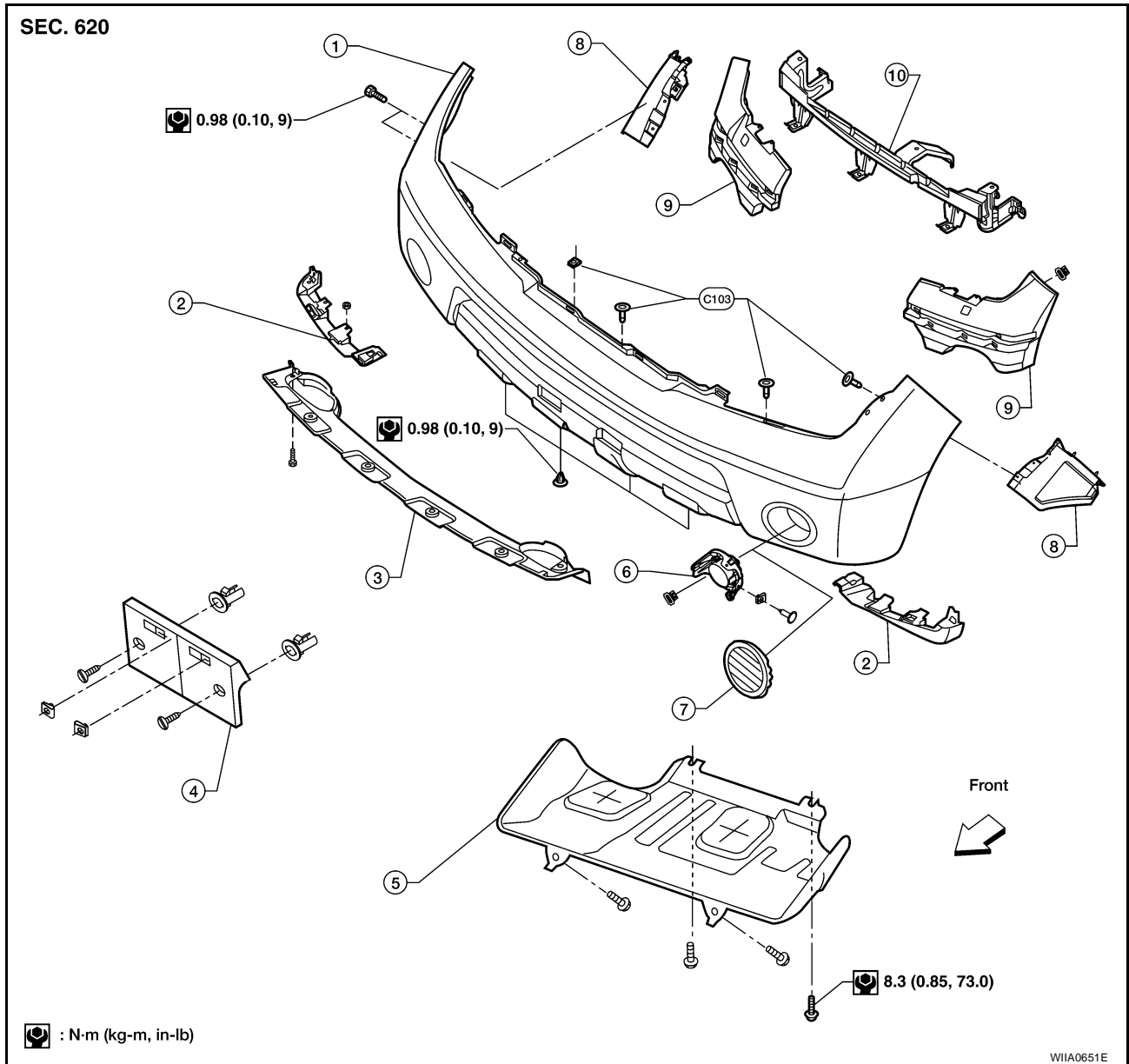
# FRONT BUMPER

7. Disconnect front fender protector and front bumper upper valance from fender.
8. Disconnect front bumper upper valance from front bumper bracket center.
9. Remove front bumper assembly.

## Installation

Installation is in the reverse order of removal.

## PLASTIC BUMPER



- |                                            |                               |                                     |
|--------------------------------------------|-------------------------------|-------------------------------------|
| 1. Front bumper assembly                   | 2. Front valance RH/LH        | 3. Front valance center             |
| 4. Front license plate bracket             | 5. Engine undercover          | 6. Fog lamp (if equipped)           |
| 7. Fog lamp opening finisher (if equipped) | 8. Front bumper bracket RH/LH | 9. Front bumper reinforcement RH/LH |
| 10. Front bumper bracket center            |                               |                                     |

## Removal

1. Remove radiator grille. Refer to [EI-19, "FRONT GRILLE"](#).
2. Remove front valance LH, center, then RH.
3. Remove front undercover.
4. Disconnect front portion of fender protectors LH and RH. Refer to [EI-21, "FRONT FENDER"](#).
5. Disconnect front bumper bracket center and front fenders.

## FRONT BUMPER

---

6. Disconnect fog lamp harnesses, if equipped.
7. Remove front bumper assembly.

### **Installation**

Installation is in the reverse order of removal.



# REAR BUMPER

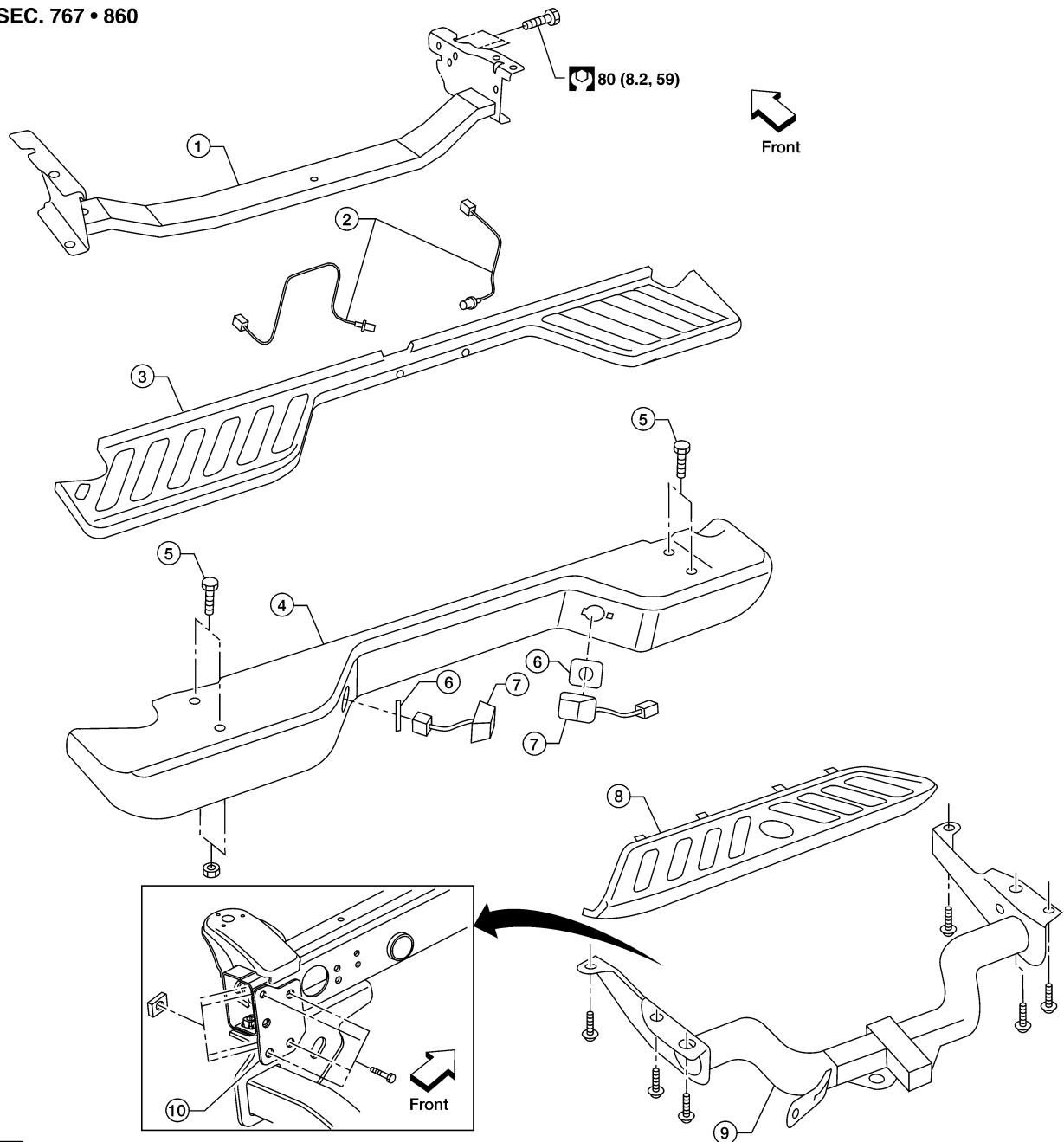
PFPH5022

## REAR BUMPER

### Removal and Installation

EIS00560

SEC. 767 • 860



N·m (kg-m, ft-lb)

- |                                           |                               |                            |
|-------------------------------------------|-------------------------------|----------------------------|
| 1. Rear bumper reinforcement              | 2. License lamp harness RH/LH | 3. Upper step pad          |
| 4. Rear bumper                            | 5. Carriage bolt              | 6. License lamp gasket     |
| 7. License lamp RH/LH                     | 8. Lower step pad             | 9. Tow hitch (if equipped) |
| 10. Tow hitch reinforcement (if equipped) |                               |                            |

LIA1945E

### REMOVAL

#### NOTE:

It is not necessary to remove the tow hitch (if equipped) to service the rear bumper.

1. Remove upper and lower step pads.
2. Disconnect license lamp harness RH/LH.
3. Release clips from license lamp RH/LH, then remove lamps from rear bumper.

A  
B  
C  
D  
E  
F  
G  
H  
EI  
J  
K  
L  
M

## REAR BUMPER

---

4. Remove rear bumper.
5. Remove rear bumper reinforcement from frame.
6. Remove tow hitch (if equipped).

### **INSTALLATION**

Installation is in the reverse order of removal.

# FRONT GRILLE

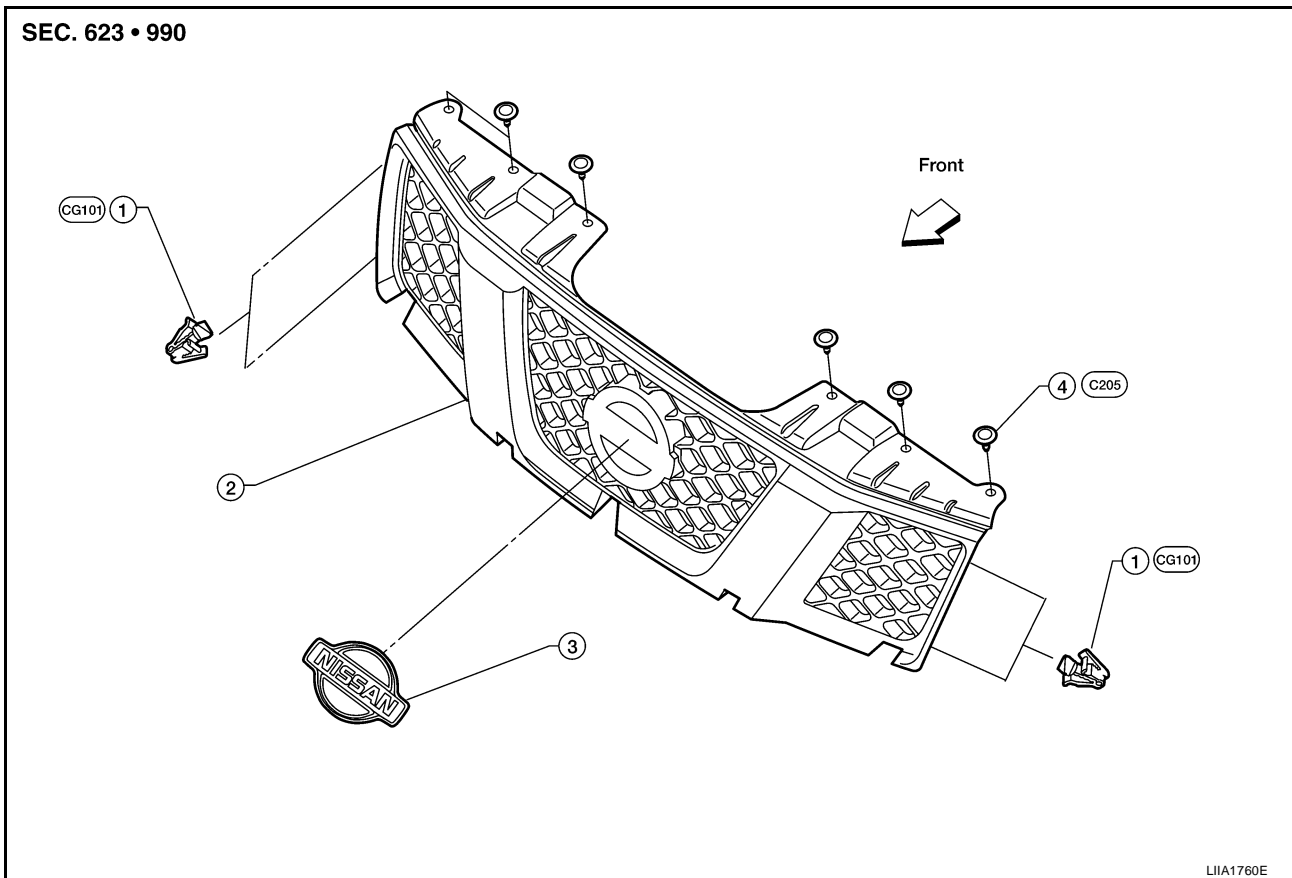
## FRONT GRILLE

PFP:62310

### Removal and Installation

E/S00561

SEC. 623 • 990



1. Slide clips

2. Front grille

3. Front emblem

4. Clips

### REMOVAL

1. Release upper clips from front grille.
2. Twist and release LH and RH side clips and remove front grille from member.

### INSTALLATION

Installation is in the reverse order of removal.

A  
B  
C  
D  
E  
F  
G  
H  
EI  
J  
K  
L  
M



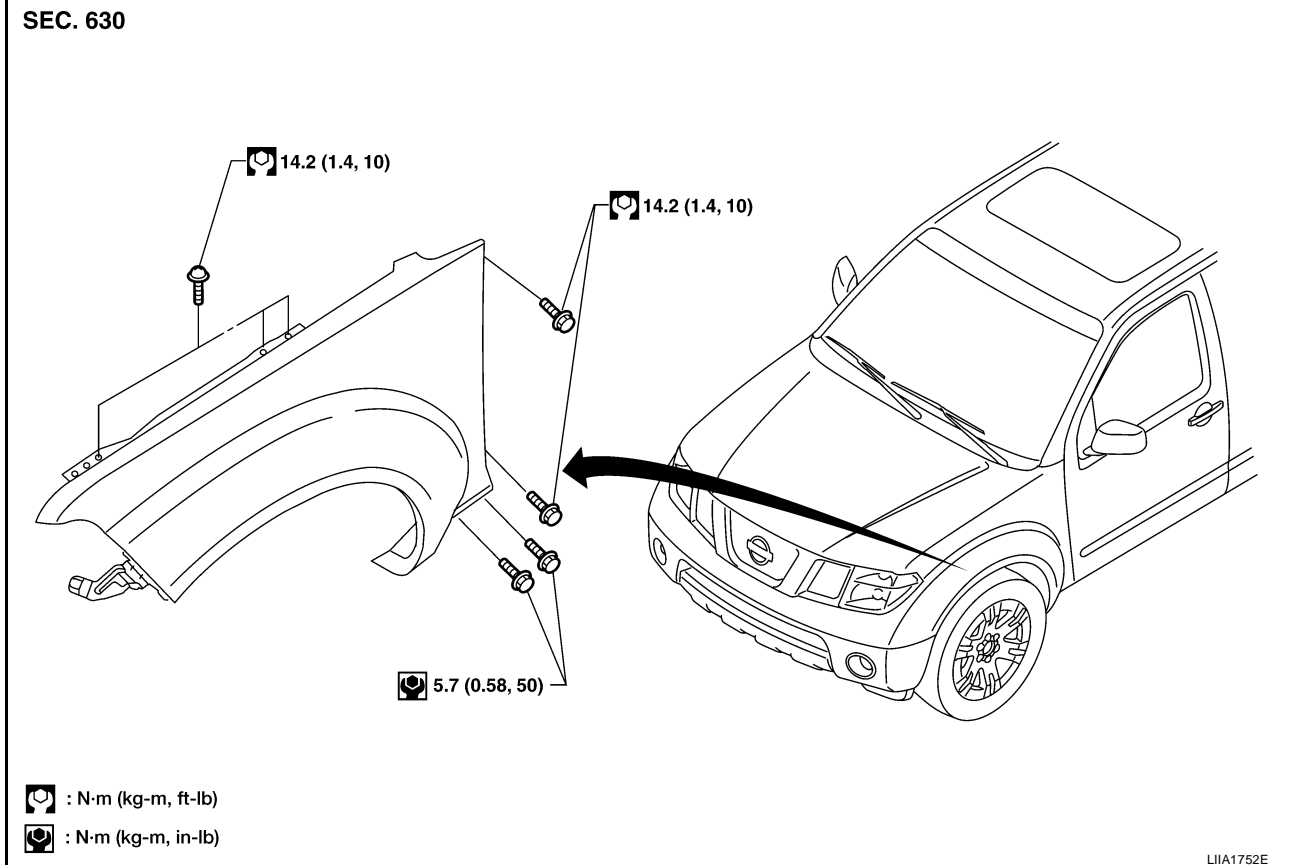
# FRONT FENDER

## FRONT FENDER

PF6:63100

### Removal and Installation

E/S00563



### REMOVAL

1. Remove headlamp assembly. Refer to [LT-25, "Removal"](#).
2. Remove front fender protector. Refer to [EI-22, "FENDER PROTECTOR"](#).
3. Remove front bumper. Refer to [EI-14, "Removal and Installation"](#).
4. Remove front fender bolts from hoodledge and dash panel.
5. Remove front fender bolts from rocker panel and radiator core support member.
6. Remove front fender.

### INSTALLATION

Installation is in the reverse order of removal.

# FENDER PROTECTOR

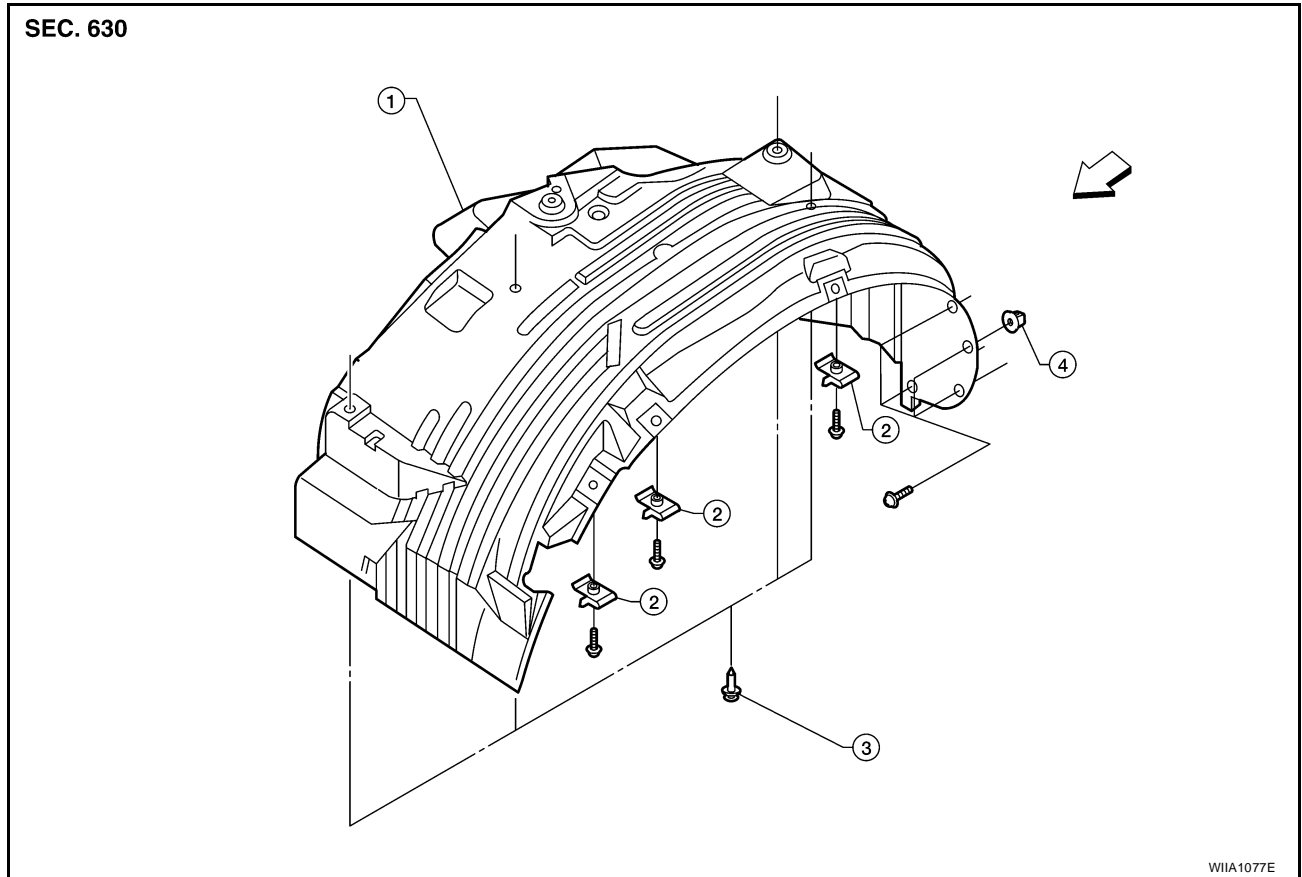
## FENDER PROTECTOR

PFP:63840

### Components

EIS00565

#### Front - Steel Bumper



1. Fender protector LH

2. Nuts

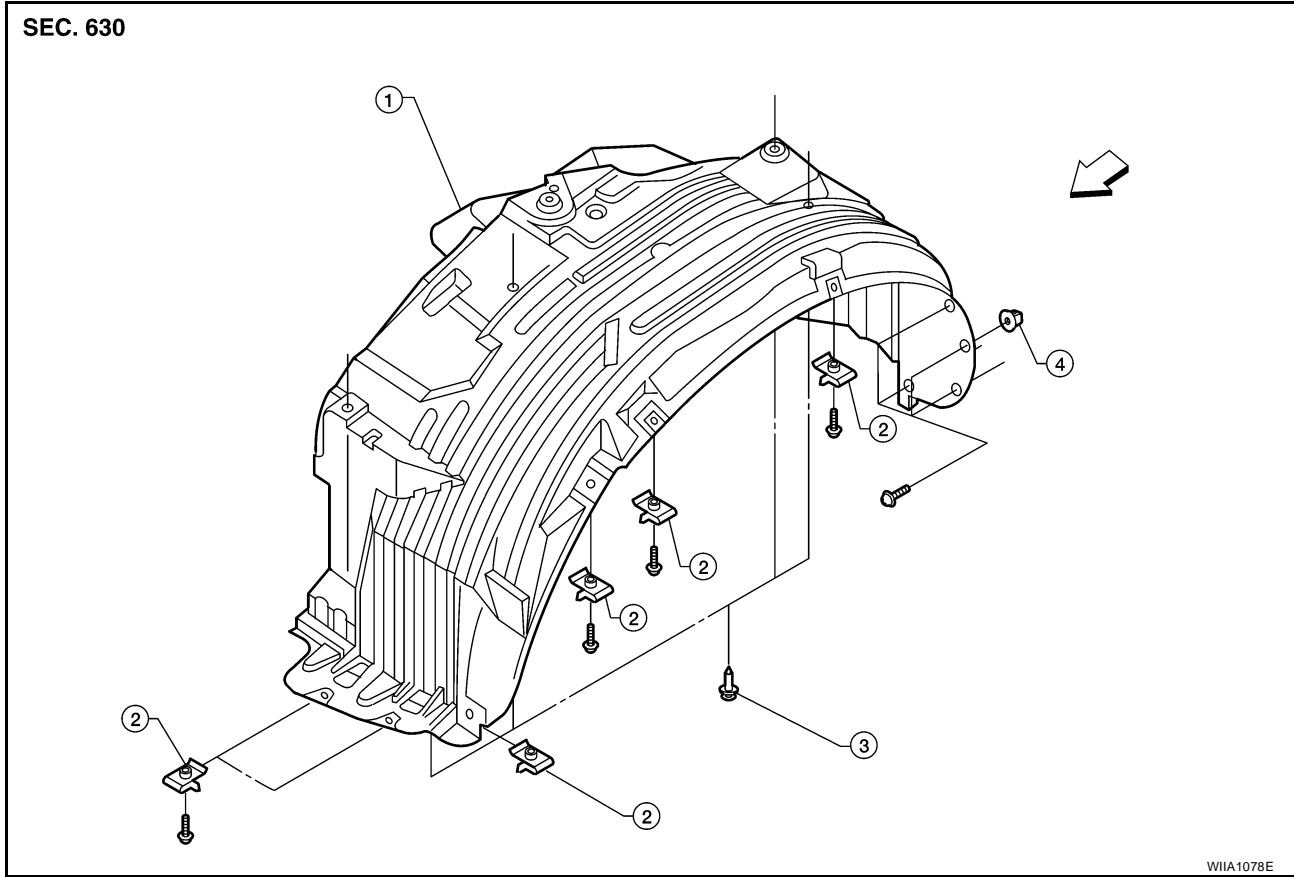
3. Clips

4. Grommet

← Vehicle front

# FENDER PROTECTOR

## Front - Plastic Bumper

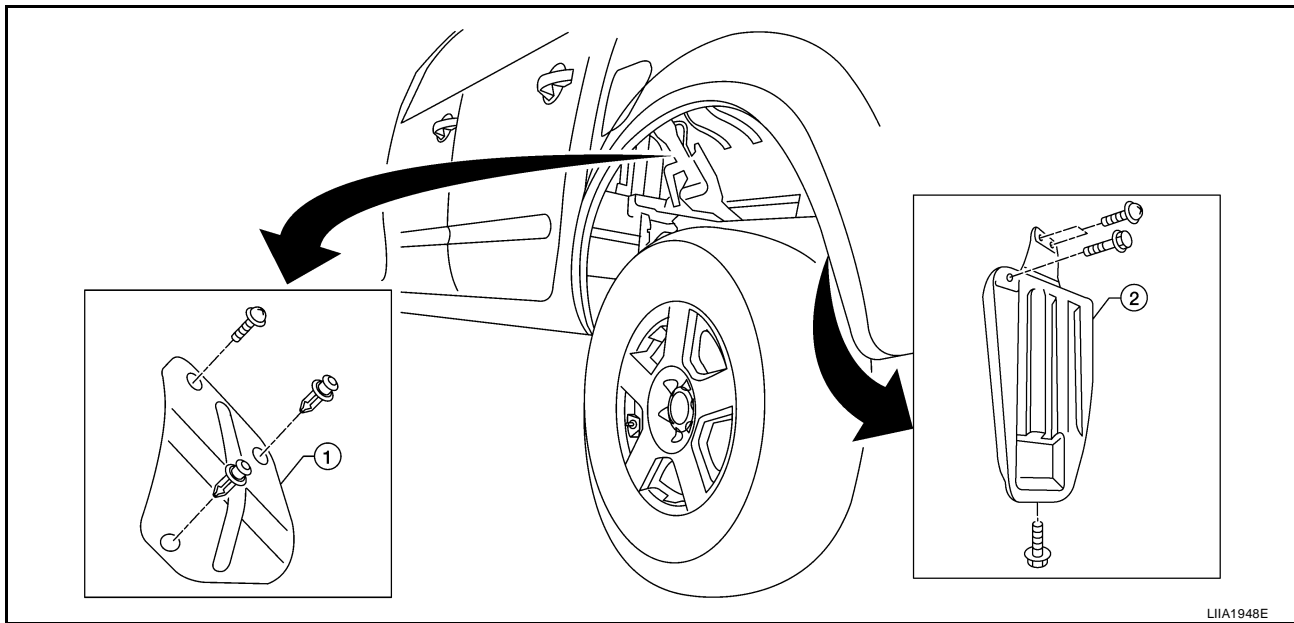


- 1. Fender protector LH
- 4. Grommet

- 2. Nut
- ← Vehicle front

- 3. Clip C205

## Rear



- 1. Fuel filler pipe shield

- 2. Rear fender shield

## Removal and Installation of Front Fender Protector REMOVAL

EIS00566

- 1. Remove screws.
- 2. Remove plastic clips.
- 3. Remove grommets.

A  
B  
C  
D  
E  
F  
G  
H  
EI  
J  
K  
L  
M

# FENDER PROTECTOR

---

4. Remove front fender protector.

## **INSTALLATION**

Installation is in the reverse order of removal.

## **Removal and Installation of Rear Fender Protector**

*EIS005X8*

### **REMOVAL**

1. Remove screws.
2. Remove pushpin.
3. Remove fuel filler pipe shield or rear fender shield.

### **INSTALLATION**

Installation is in the reverse order of removal.



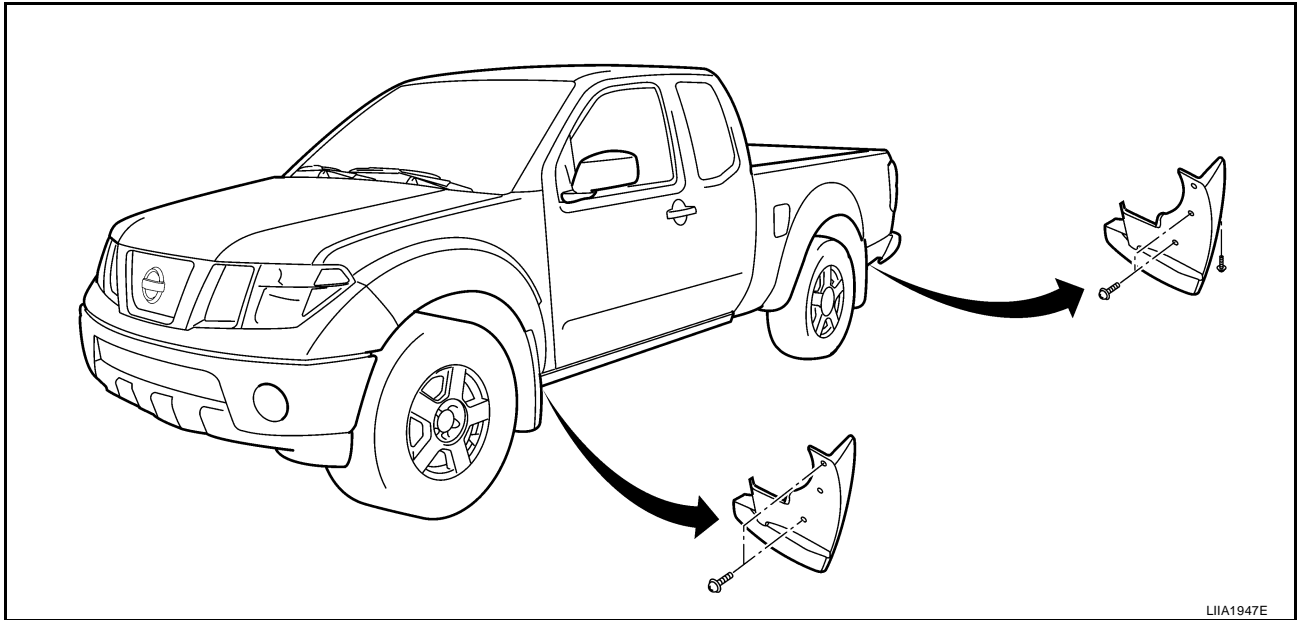
# MUDGUARD

## MUDGUARD

PFP:63854

### Removal and Installation

EIS005X7



LIA1947E

#### NOTE:

King Cab shown Crew Cab similar.

A

B

C

D

E

F

G

H

EI

J

K

L

M

# RUNNING BOARDS

PF9:96110

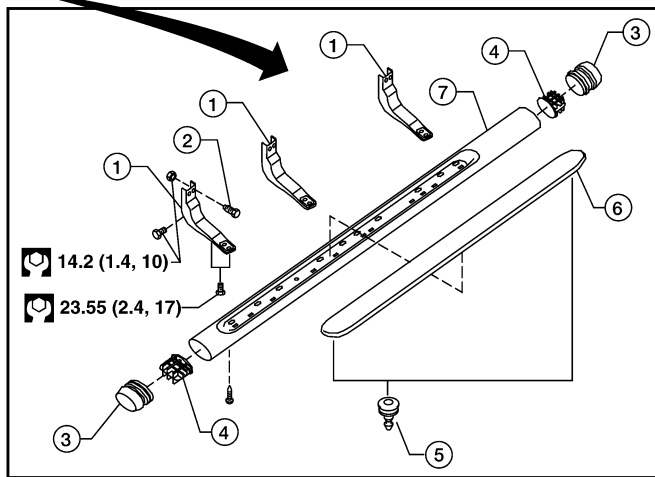
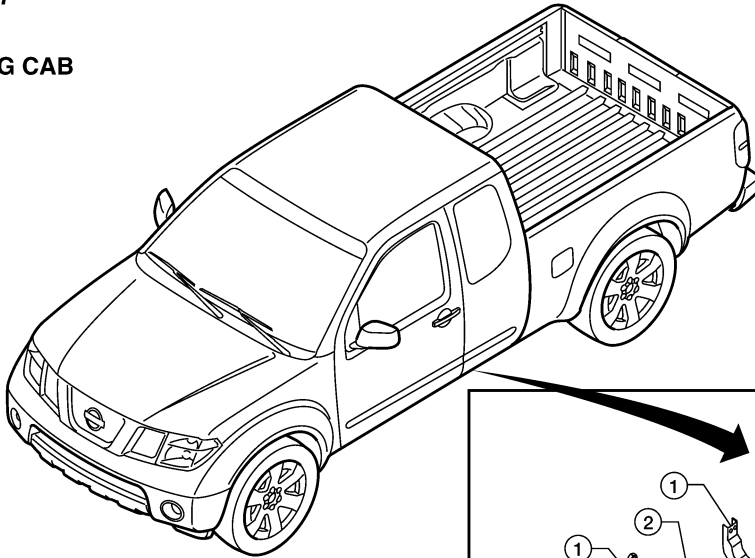
EIS00568

## RUNNING BOARDS

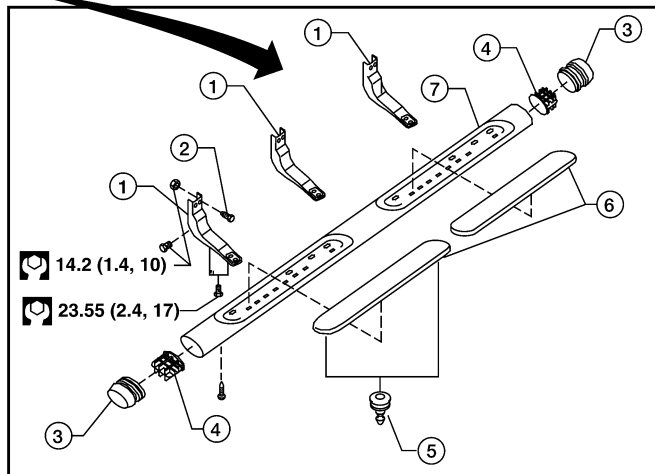
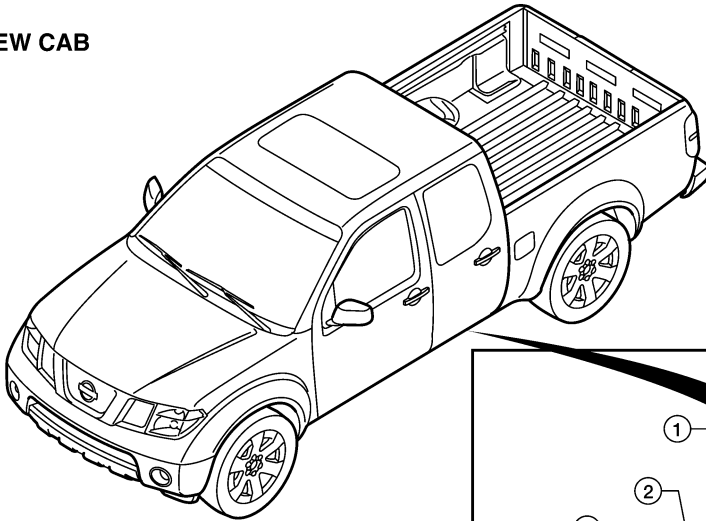
### Removal and Installation


SEC. 767

KING CAB



CREW CAB



 N-m (kg-m, ft-lb)

WIAA0569E

# RUNNING BOARDS

---

- |                          |              |             |
|--------------------------|--------------|-------------|
| 1. Running board bracket | 2. Weld stud | 3. End cap  |
| 4. End cap reinforcement | 5. Clip      | 6. Step pad |
| 7. Running board         |              |             |

A

## REMOVAL

1. Remove mud flaps (if equipped).
2. Remove bolts and remove running board from running board brackets.
3. Remove screw and remove end cap and reinforcement.
4. Release clips and remove step pad from running board.
5. Remove nuts and bolts and remove running board brackets.

B

C

D

## INSTALLATION

Installation is in the reverse order of removal.

E

F

G

H

EI

J

K

L

M

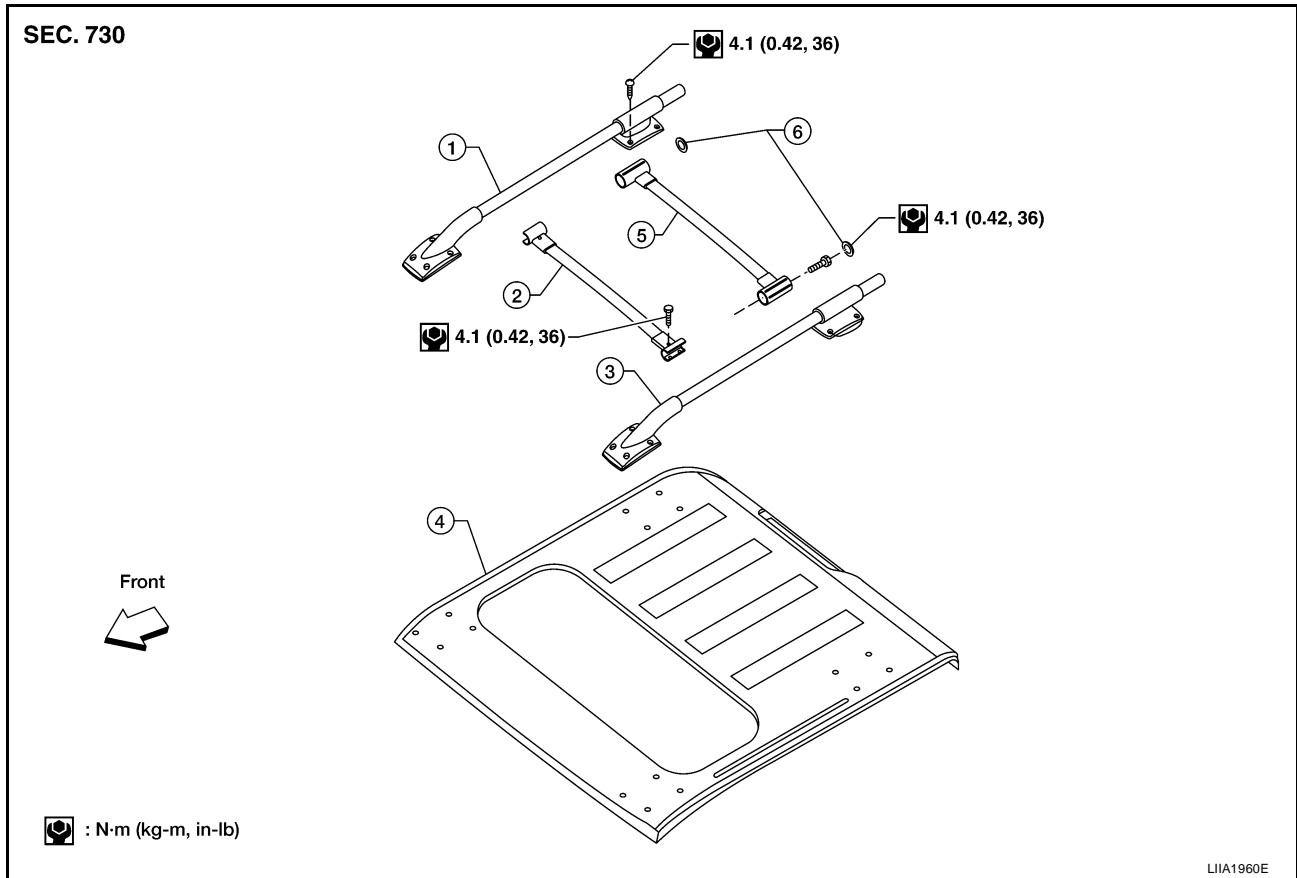
# ROOF RACK

## ROOF RACK

PF7:73155

## Removal and Installation

EIS00569



1. RH side rail
4. Roof panel

2. Front crossbar
5. Rear crossbar

3. LH side rail
6. End cap

### REMOVAL

1. Remove RH/LH side rail bolts from roof panel.
2. Pry outward releasing end caps and remove from side rails.
3. Remove the bolts and remove rear crossbar from side rails.
4. Remove the bolts and remove front crossbar from side rails.

### INSTALLATION

Installation is in the reverse order of removal.

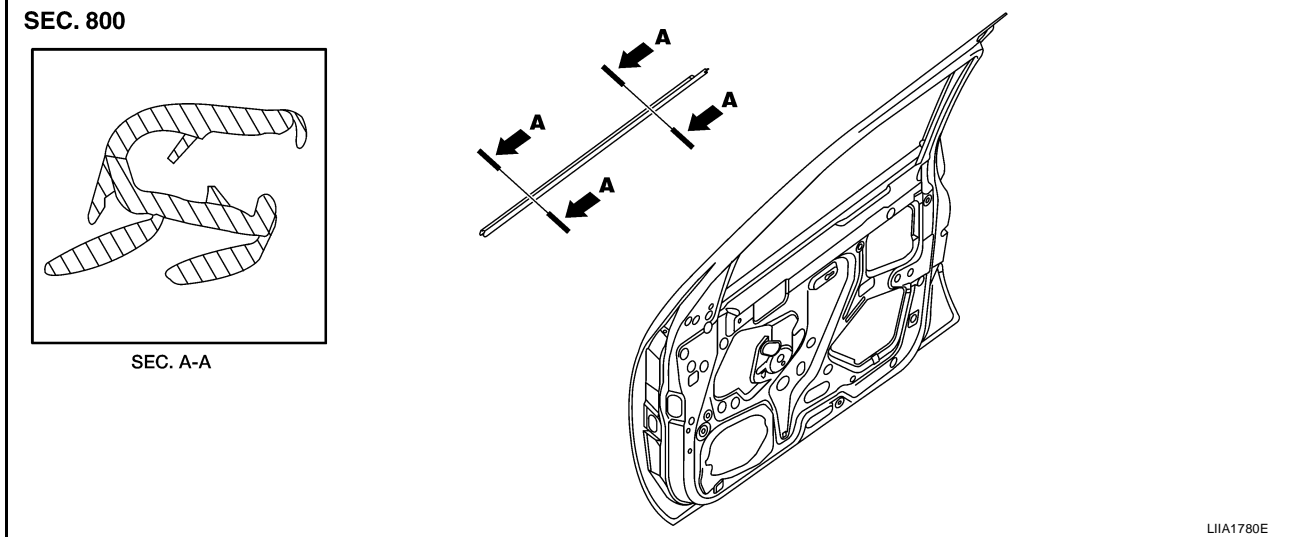
# DOOR OUTSIDE MOLDING

## DOOR OUTSIDE MOLDING

PFP:82820

### Removal and Installation

EIS0056A



### FRONT DOOR OUTSIDE MOLDING

#### Removal

1. Open the window fully.
2. Remove the door mirror. Refer to [GW-91, "Door Mirror Assembly"](#).
3. Lift molding from the front side off of flange.
4. Remove the front door outside molding.

#### Installation

Installation is in the reverse order of removal.

A  
B  
C  
D  
E  
F  
G  
H  
EI  
J  
K  
L  
M

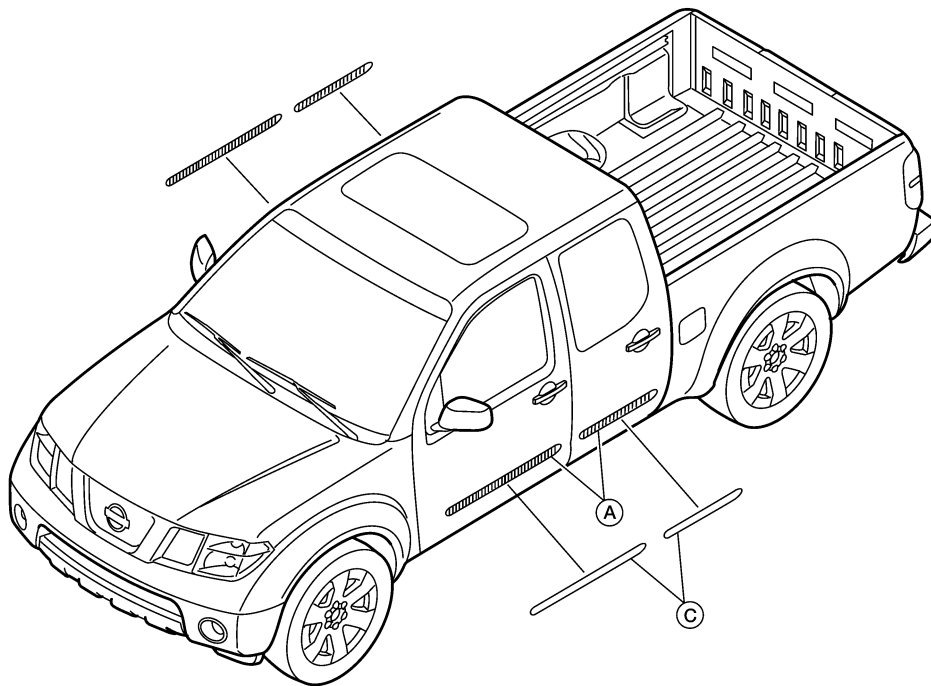
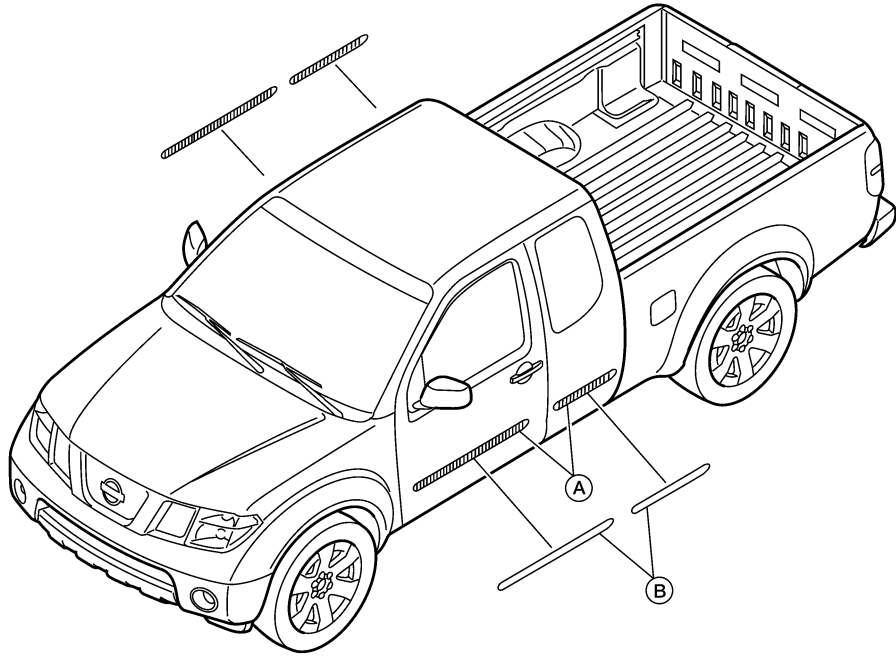
# SIDE GUARD MOLDING

PF:76840

EIS006VW

## SIDE GUARD MOLDING Removal and Installation

SEC. 800•820



WIA1079E

# SIDE GUARD MOLDING

A. Double-faced adhesive tape

B. King cab side guard moulding

C. Crew cab side guard moulding

A

## REMOVAL

### CAUTION:

**Never apply tack-paper adhesive remover to body panel surface finished with lacquer-based paints.**

B

- Original side guard molding is affixed to body panel with double-faced adhesive tape.
- 1. Heat molding to between 30° and 40°C (86° to 104°F) with a heat gun.
- 2. Raise end of molding and cut away tape to remove molding. Remove all traces of tape.

C

## INSTALLATION

- On vehicles coated with Hard Clear Coat, use double-faced 3M adhesive tape Product No. 4210 or equivalent, after priming with 3M primer Product No. N200, C-100 or equivalent.
- The repair parts are also affixed with double-faced adhesive tape.
- To re-use existing molding, clean all traces of double sided tape from the molding and apply new double-faced tape to the molding.
- 1. Clean the panel surface with isopropyl alcohol or equivalent to degrease the surface.
- 2. Heat the panel and molding tape surface to 30° to 40°C (86° to 104°F).
- 3. Remove the backing sheet from the tape surface.
  - Align the locating pin into the hole in the outer door.
  - Continue aligning the pins into their corresponding holes in the outer door during installation.
- 4. Press ends by hand and use a roller to apply 5 kg-f (11 lbs-f) to press molding to door surface.
  - Apply even pressure along molding to insure proper wet out.

D

E

F

G

H

### CAUTION:

**To secure contact, do not wash vehicle for 24 hours after installation.**

EI

J

K

L

M

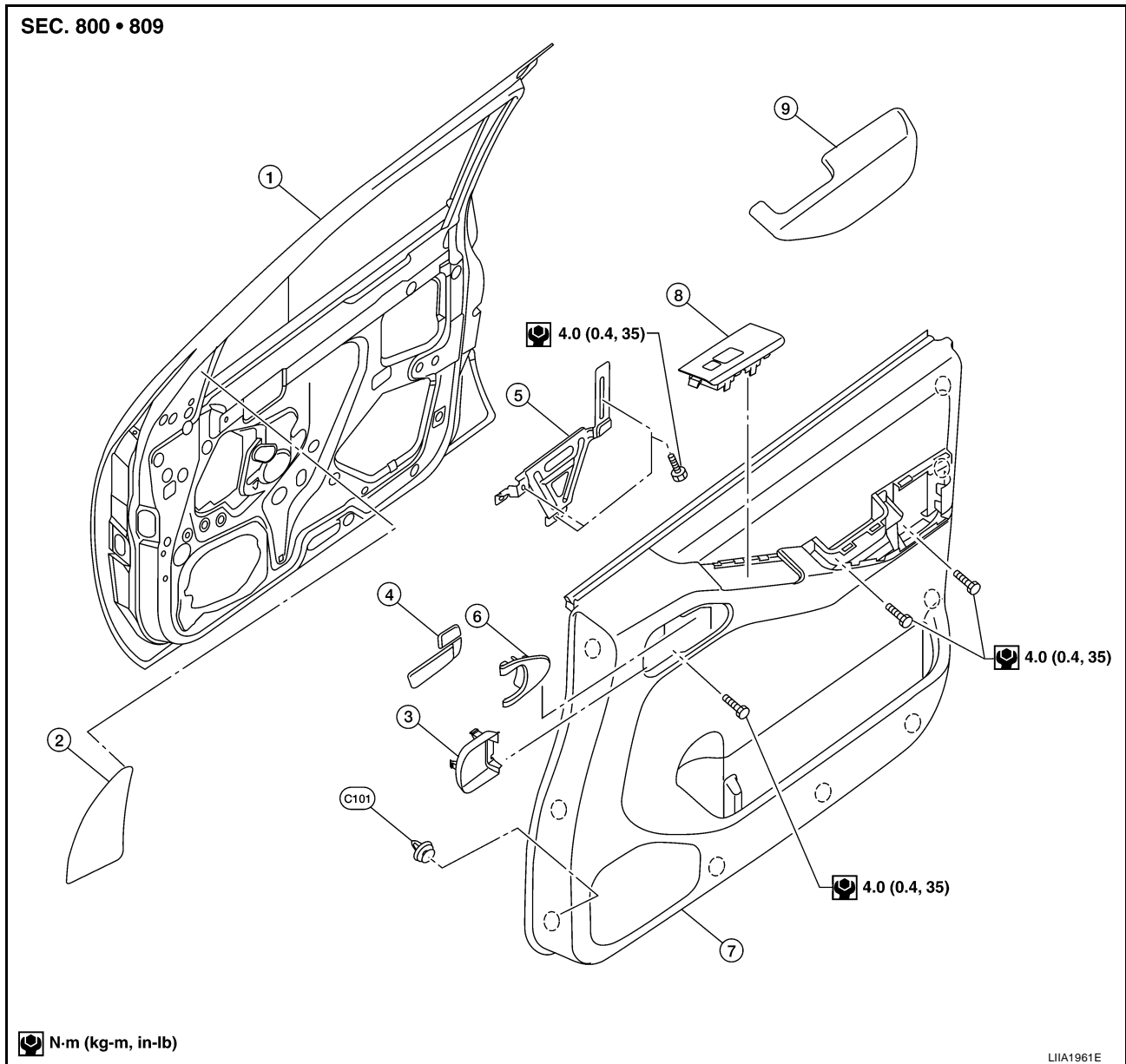
# DOOR FINISHER

## DOOR FINISHER

PF:80900

### Removal and Installation FRONT DOOR

EIS0056B



- |                                    |                                      |                           |
|------------------------------------|--------------------------------------|---------------------------|
| 1. Front door                      | 2. Mirror bolt cover                 | 3. Pull handle escutcheon |
| 4. Pull handle/lock lever assembly | 5. Front door handle bracket         | 6. Pull handle cover      |
| 7. Front door finisher (RH shown)  | 8. Power window/lock switch assembly | 9. Armrest                |

### Removal

1. Remove power window switch assembly.
  - Disconnect harness connectors.
2. Remove pull handle escutcheon.
3. Remove pull handle cover, then remove door finisher screw.
4. Lift armrest upward to release clips and remove armrest.
  - Remove screws behind armrest.
5. Release clips and remove door finisher.
6. Remove pull handle/lock lever assembly.
  - Disconnect lock lever cable and pull handle cable from lever assembly. Refer to [BL-111, "FRONT DOOR LOCK"](#).



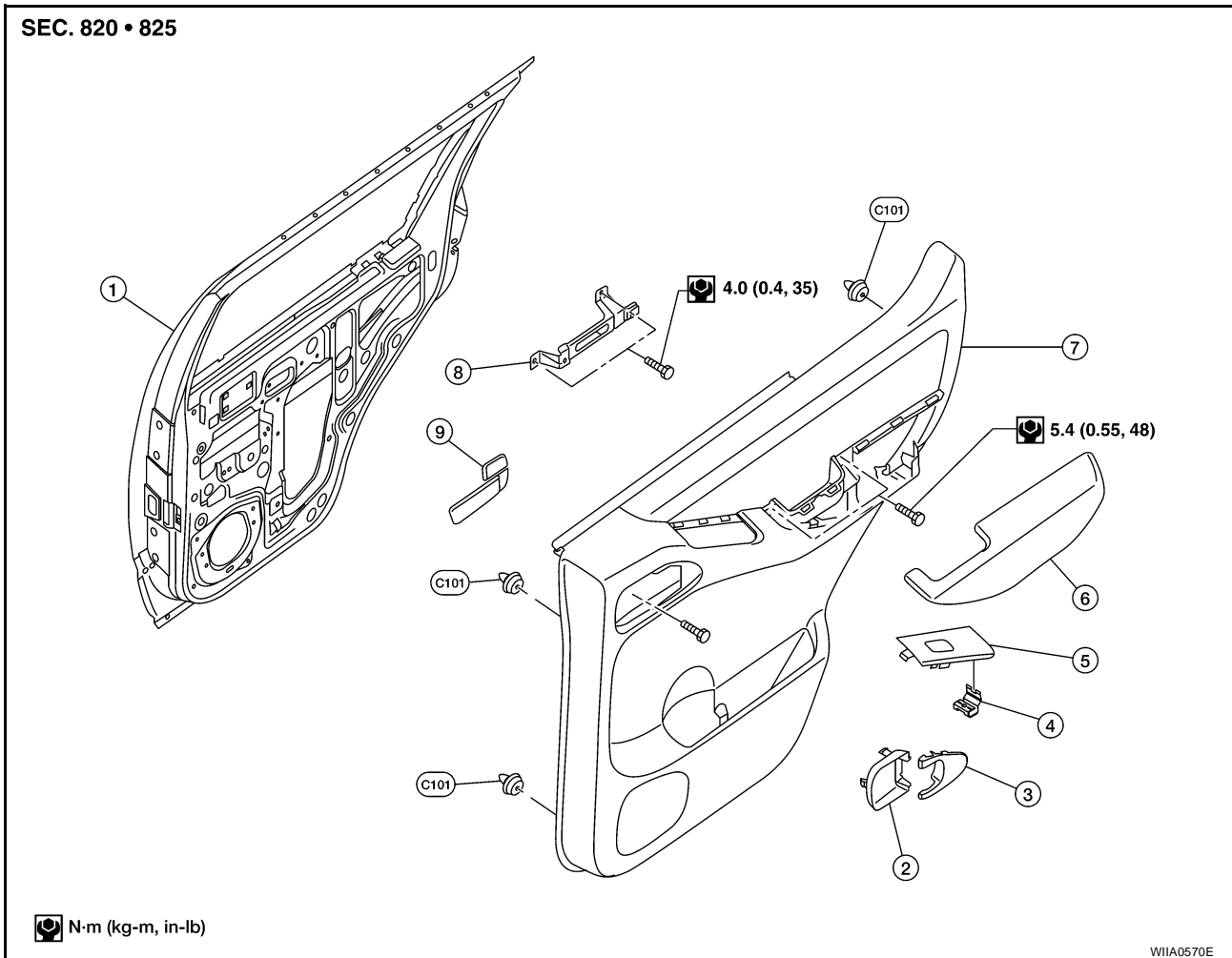
# DOOR FINISHER

## Installation

Installation is in the reverse order of removal.

## REAR DOOR - CREW CAB

SEC. 820 • 825



- |                       |                                 |                                    |
|-----------------------|---------------------------------|------------------------------------|
| 1. Rear door          | 2. Pull handle escutcheon       | 3. Pull handle cover               |
| 4. Metal clip         | 5. Power window switch assembly | 6. Armrest                         |
| 7. Rear door finisher | 8. Rear door handle bracket     | 9. Pull handle/lock lever assembly |

## Removal

1. Remove power window switch assembly.
  - Disconnect harness connector.
2. Remove pull handle cover.
  - Remove screw behind pull handle cover.
3. Remove pull handle escutcheon.
4. Lift upward to release clips and remove armrest.
  - Remove screws behind armrest.
5. Release the clips and remove rear door finisher.
  - Disconnect the rear door tweeter.
6. Remove pull handle/lock lever assembly.
  - Disconnect lock lever cable and pull handle cable from lever assembly. Refer to [BL-115, "Removal and Installation"](#).

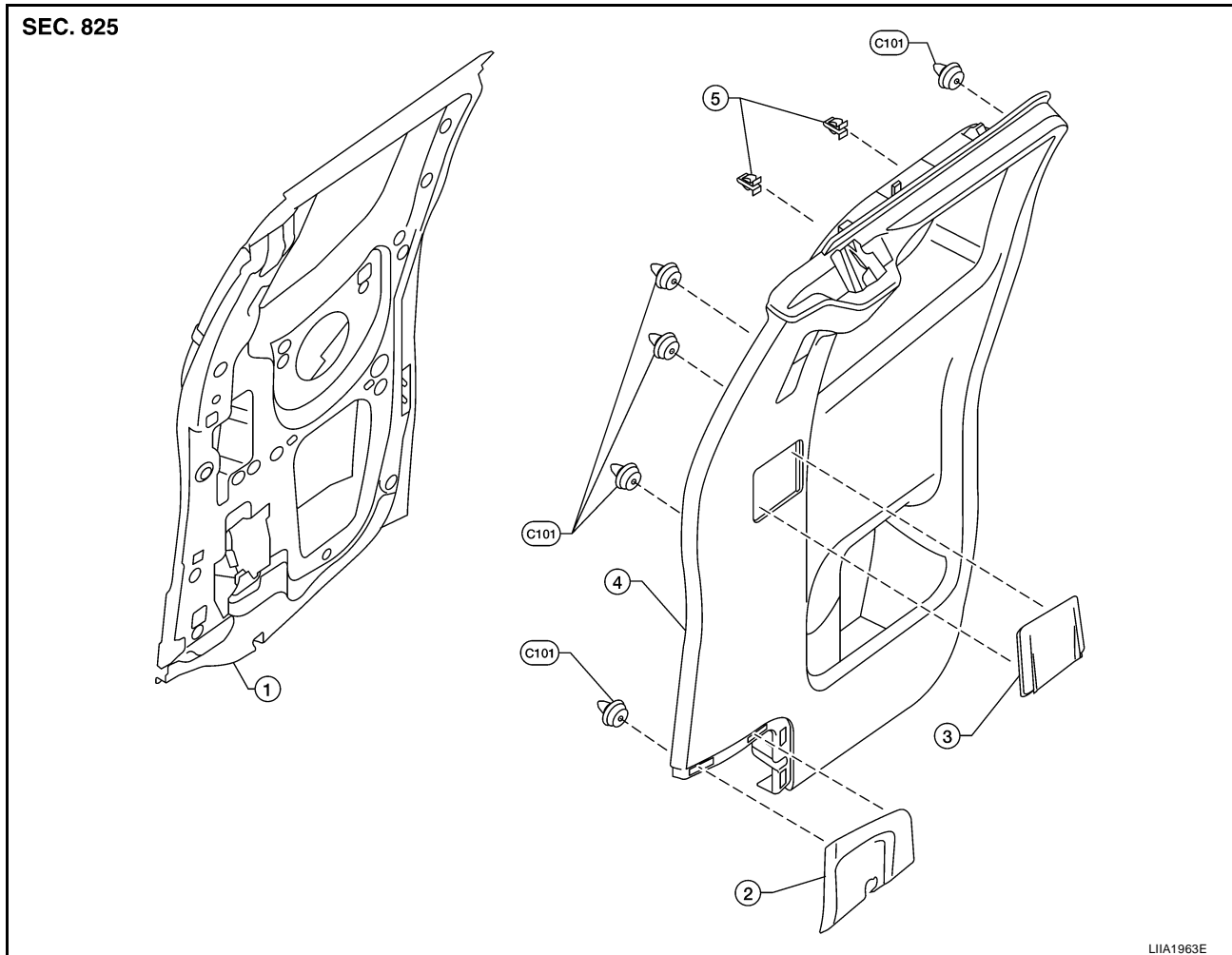
## Installation

Installation is in the reverse order of removal.

A  
B  
C  
D  
E  
F  
G  
H  
EI  
J  
K  
L  
M

# DOOR FINISHER

## REAR DOOR - KING CAB



- |                       |                |          |
|-----------------------|----------------|----------|
| 1. Rear door          | 2. Latch cover | 3. Guide |
| 4. Rear door finisher | 5. Metal clip  |          |

### Removal

1. Remove lower seat belt anchor bolt. Refer to [SB-7, "Removal and Installation of Rear Seat Belt - King Cab"](#).
  - Disconnect harness connector for passenger side.
2. Release the clips and remove rear door finisher.
3. Remove lock lever assembly.
  - Disconnect lock lever cable and lever assembly. Refer to [BL-115, "Removal and Installation"](#).

### Installation

Installation is in the reverse order of removal.

# BODY SIDE TRIM

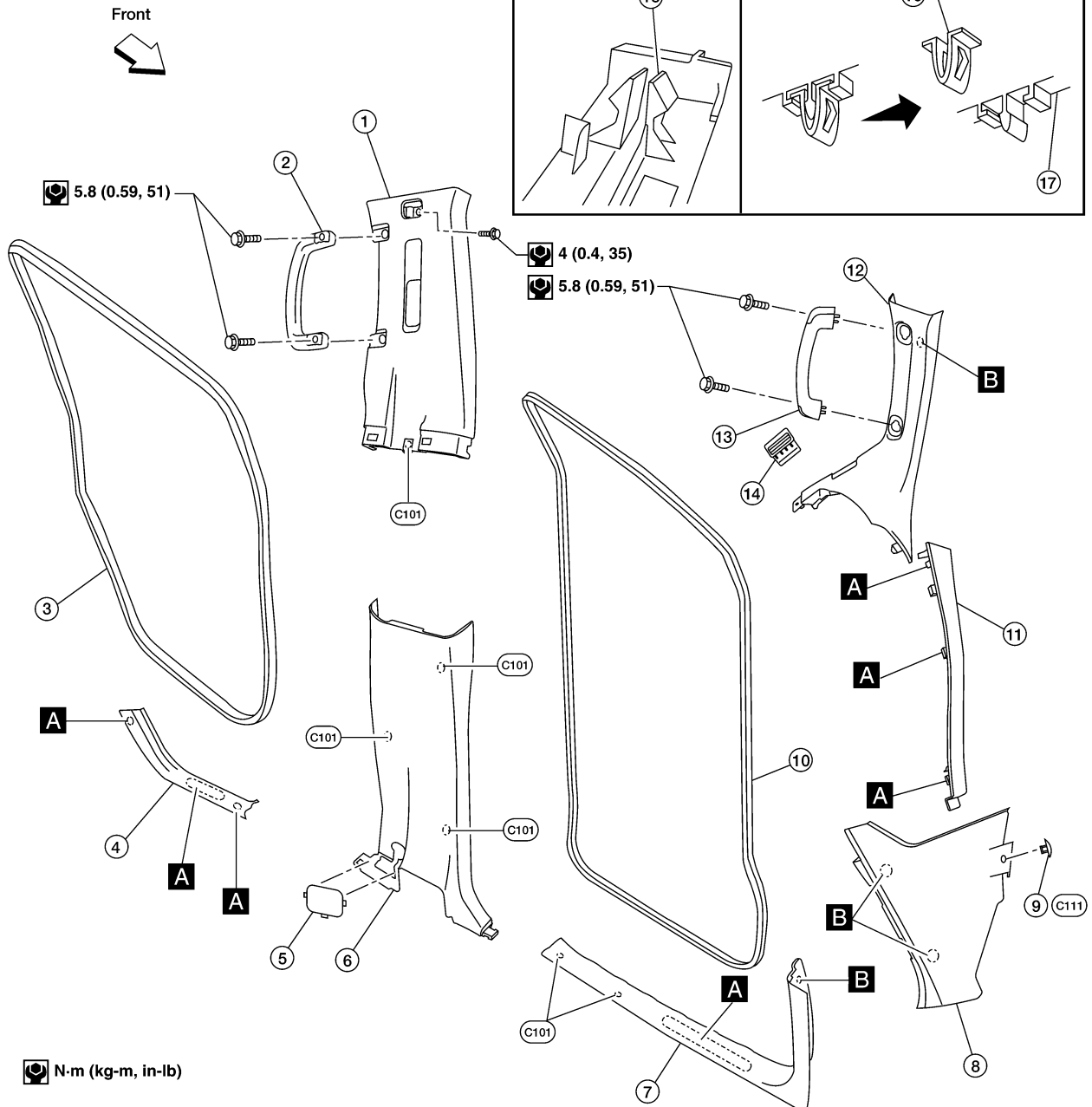
## BODY SIDE TRIM

PFP:76913

### Components CREW CAB

EIS0056C

SEC. 678 • 769



N·m (kg·m, in·lb)

- |                                 |                                       |                                 |
|---------------------------------|---------------------------------------|---------------------------------|
| 1. Center pillar upper finisher | 2. Center pillar assist grip          | 3. Rear door welt               |
| 4. Rear kick plate              | 5. Access cover (passenger side only) | 6. Center pillar lower finisher |
| 7. Front kick plate             | 8. Lower dash side finisher           | 9. Clip                         |
| 10. Front door welt             | 11. Front pillar lower finisher       | 12. Front pillar upper finisher |
| 13. Front pillar assist grip    | 14. Side demister grille              | 15. Molded plastic clip         |
| 16. Metal clip                  | 17. Garnish                           |                                 |

WI1A0652E

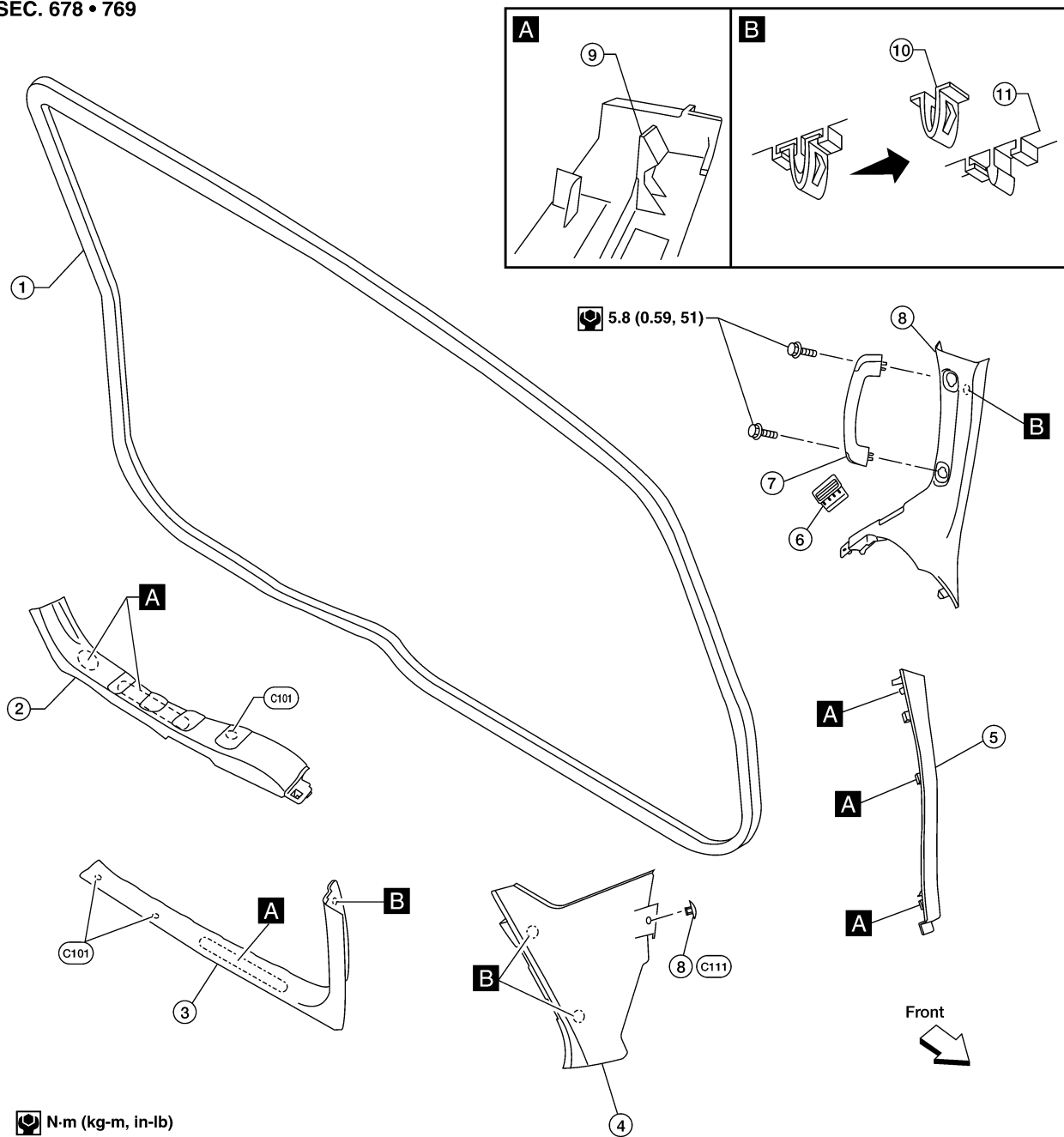
#### CAUTION:

- Wrap the tip of flat-bladed screwdriver with a cloth when removing metal clips from finishers.
- When removing or installing body side welts, do not allow butyl seal to come in contact with pillar finisher.

# BODY SIDE TRIM

## KING CAB

SEC. 678 • 769



- |                             |                                |                         |
|-----------------------------|--------------------------------|-------------------------|
| 1. Door welt                | 2. Rear kick plate             | 3. Front kick plate     |
| 4. Lower dash side finisher | 5. Front pillar lower finisher | 6. Side demister grille |
| 7. Front pillar assist grip | 8. Front pillar upper finisher | 9. Molded plastic clip  |
| 10. Metal clip              | 11. Garnish                    |                         |

### CAUTION:

- Wrap the tip of flat-bladed screwdriver with a cloth when removing metal clips from finishers.
- When removing or installing body side welts, do not allow butyl seal to come in contact with pillar finisher.

## Removal and installation LOWER DASH SIDE FINISHER

### Removal

1. Remove push pin from lower dash side finisher.

LIA1962E

EIS0056D

# BODY SIDE TRIM

2. Remove front kick plate from center pillar lower finisher.
3. Remove front kick plate from dash side from lower dash side finisher.
4. Remove lower dash side finisher.

## Installation

Installation is in the reverse order of removal.

## CENTER PILLAR LOWER FINISHER

### Removal

1. Remove front and rear door welts.
2. Remove seat belt anchor. Refer to [SB-3, "SEAT BELTS"](#).
  - On RH side, remove the cover and disconnect seat belt tension sensor.
3. Remove front and rear kick plates. Refer to [EI-37, "KICK PLATES"](#).
4. Remove center pillar lower finisher.

### Installation

Installation is in the reverse order of removal.

## CENTER PILLAR UPPER FINISHER

### Removal

1. Remove front and rear door welts.
2. Remove seat belt shoulder anchor and D-ring. Refer to [SB-3, "SEAT BELTS"](#).
3. Remove front and rear kick plates. Refer to [EI-37, "KICK PLATES"](#).
4. Remove center pillar lower finisher.
5. Remove assist grip.
6. Remove center pillar upper finisher.

### Installation

Installation is in the reverse order of removal.

## FRONT PILLAR UPPER FINISHER

### Removal

1. Remove front pillar lower finisher. Refer to [EI-37, "FRONT PILLAR LOWER FINISHER"](#).
2. Remove the front pillar assist grip.
3. Remove the front pillar upper finisher bolt.
4. Remove the front pillar upper finisher.

### Installation

Installation is in the reverse order of removal.

## FRONT PILLAR LOWER FINISHER

### Removal

1. Remove front door welt and kick plate.
2. Remove the front pillar lower finisher.

### Installation

Installation is in the reverse order of removal.

## KICK PLATES

### Removal

Release clips and remove front and/or rear kick plates.

### Installation

Installation is in the reverse order of removal.

A

B

C

D

E

F

G

H

EI

J

K

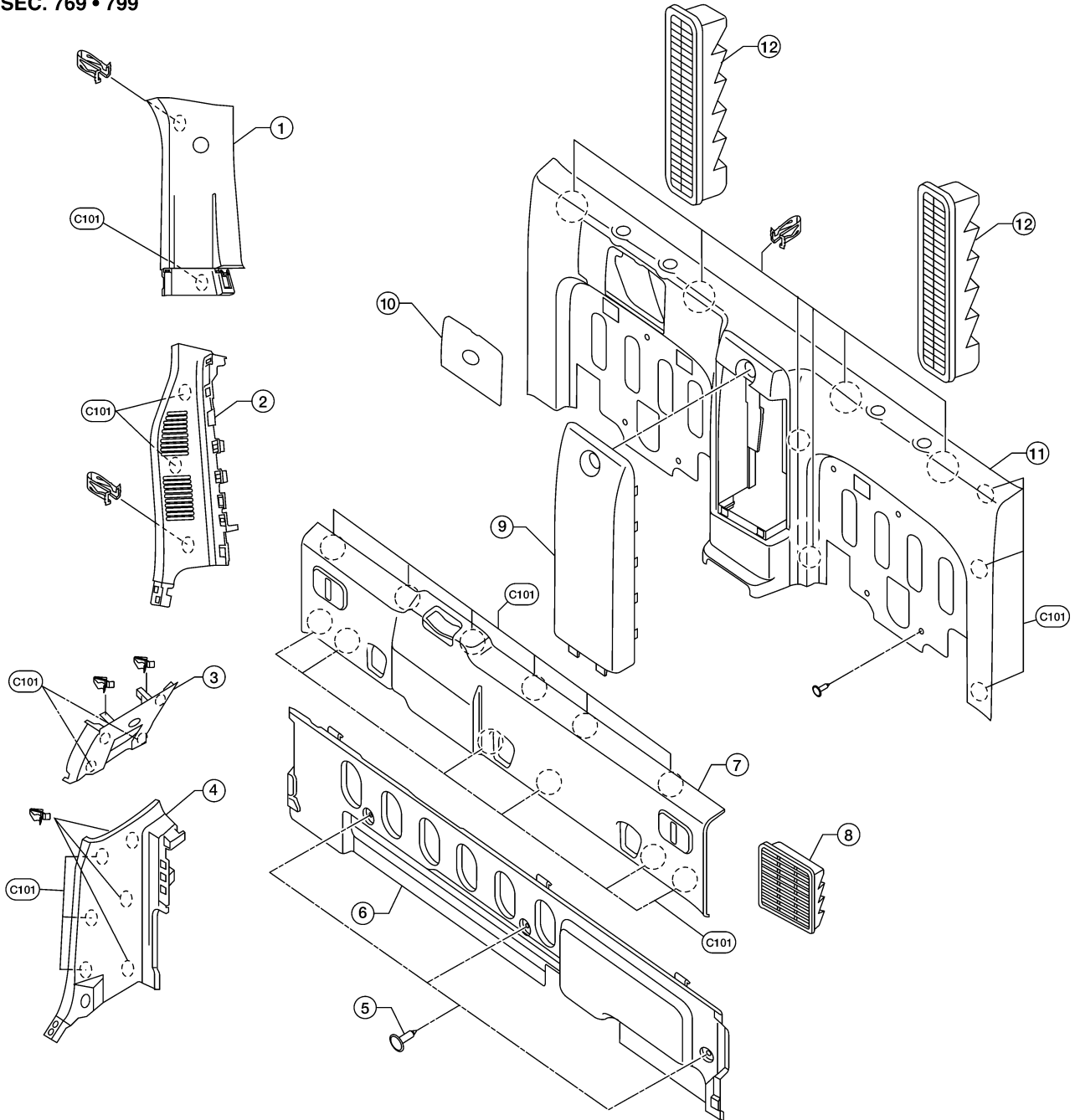
L

M

# BODY SIDE TRIM

## REAR

SEC. 769 • 799



LIA1966E

- |                                   |                                   |                                   |
|-----------------------------------|-----------------------------------|-----------------------------------|
| 1. Rear upper finisher (King cab) | 2. Rear lower finisher (King cab) | 3. Rear upper finisher (Crew cab) |
| 4. Rear lower finisher (Crew cab) | 5. Pushpin                        | 6. Rear panel lower (Crew cab)    |
| 7. Rear panel upper (Crew cab)    | 8. Drafter duct (Crew cab)        | 9. Jack storage cover             |
| 10. Child seat anchor cover       | 11. Rear panel (King cab)         | 12. Drafter ducts (King cab)      |

### CAUTION:

Wrap the tip of flat-bladed screwdriver with a cloth when removing metal clips from finishers.

### Removal

1. Remove rear seats. Refer to [SE-28, "Removal and Installation"](#).
2. Remove storage boxes (if equipped). Refer to [EI-40, "FLOOR TRIM"](#).
3. Remove rear kick plates RH/LH and seat belt anchor bolts.
4. Remove seatback latch strikers (Crew cab models).
5. Remove child seat anchor cover (if equipped) and rear panel(s).

## BODY SIDE TRIM

---

6. Remove first rear lower, then rear upper finishers RH/LH.
7. Remove drafter duct(s).

### Installation

Installation is in the reverse order of removal.

A

B

C

D

E

F

G

H

EI

J

K

L

M

# FLOOR TRIM

## FLOOR TRIM

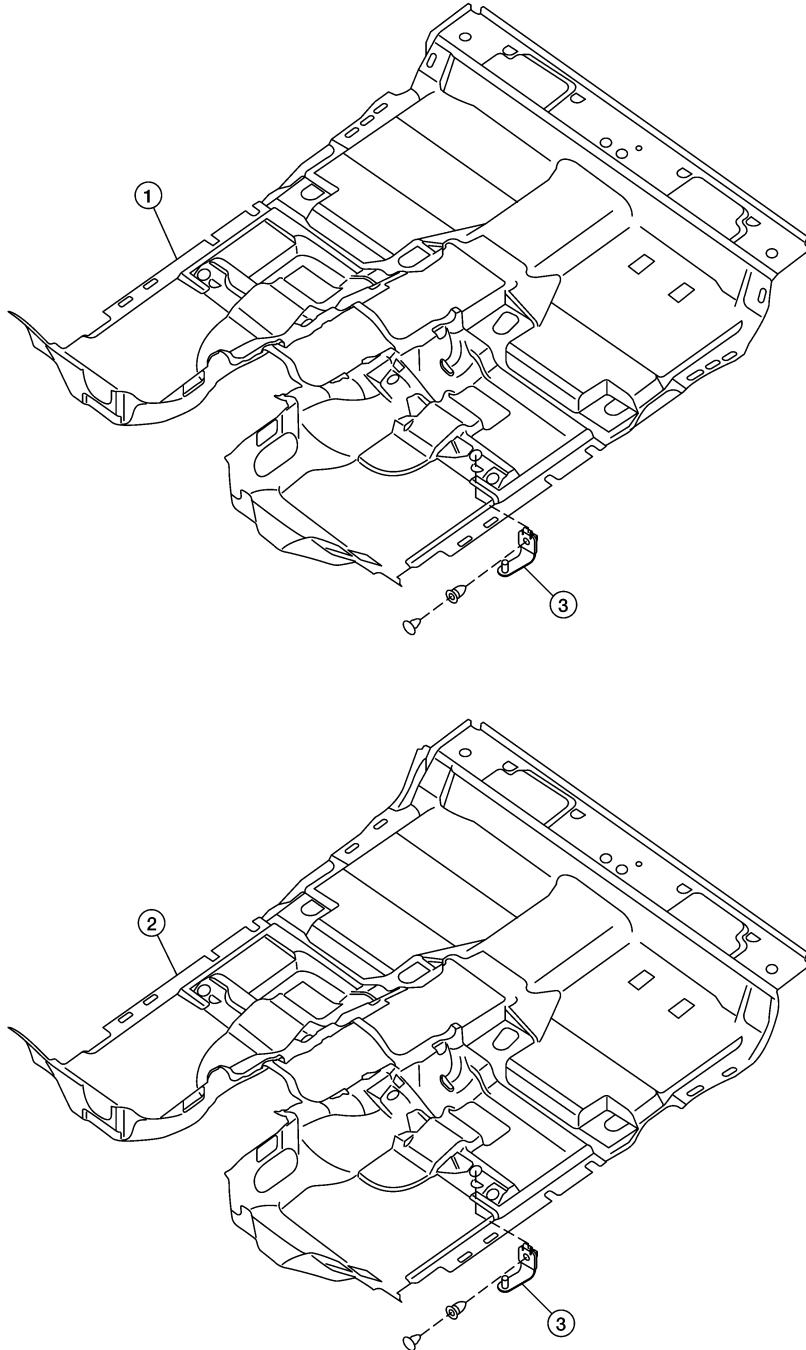
PF7:74902

## Removal and Installation

EIS0056E

### Crew Cab and King Cab Floor Carpet

SEC. 749



WI1A1080E

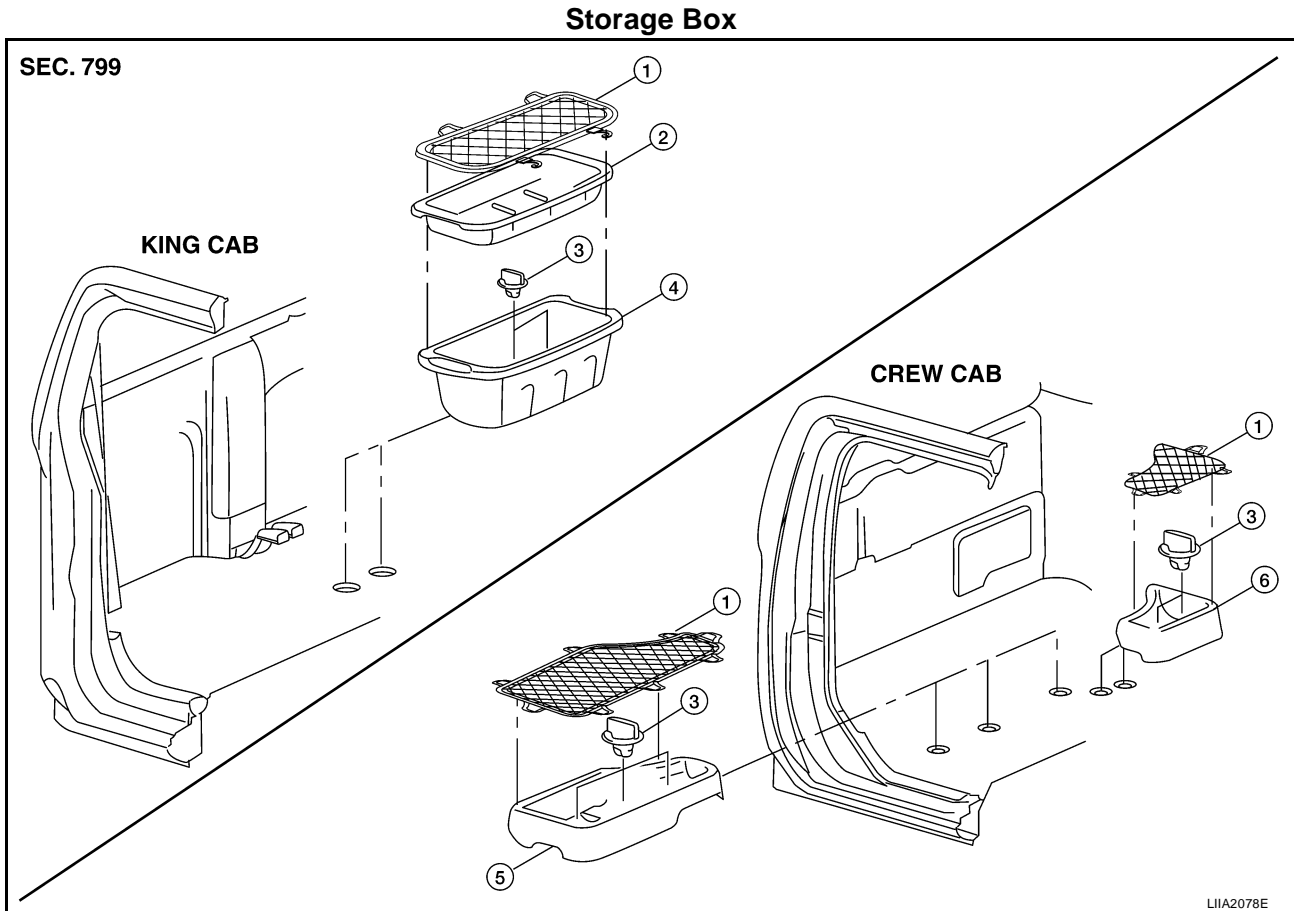
1. Crew cab carpet

2. King cab carpet

3. Floor mat hook



# FLOOR TRIM



1. Net
2. Tray (King Cab)
3. Locking clip
4. Storage box (King Cab)
5. Storage box RH (Crew Cab)
6. Storage box LH (Crew Cab)

## REMOVAL

1. Remove front seats. Refer to [SE-24, "REMOVAL"](#).
2. Remove rear seats. Refer to [SE-28, "Removal and Installation"](#).
3. Remove storage boxes (if equipped).
4. Remove lower seat belt anchors (crew cab only). Refer to [SB-3, "SEAT BELTS"](#).
5. Remove lower body side trim panels. Refer to [EI-35, "BODY SIDE TRIM"](#).
6. Remove center console. Refer to [IP-14, "CENTER CONSOLE"](#).
7. Remove floor mat hooks.
8. Remove carpet.

## INSTALLATION

Installation is in the reverse order of removal.

# HEADLINING

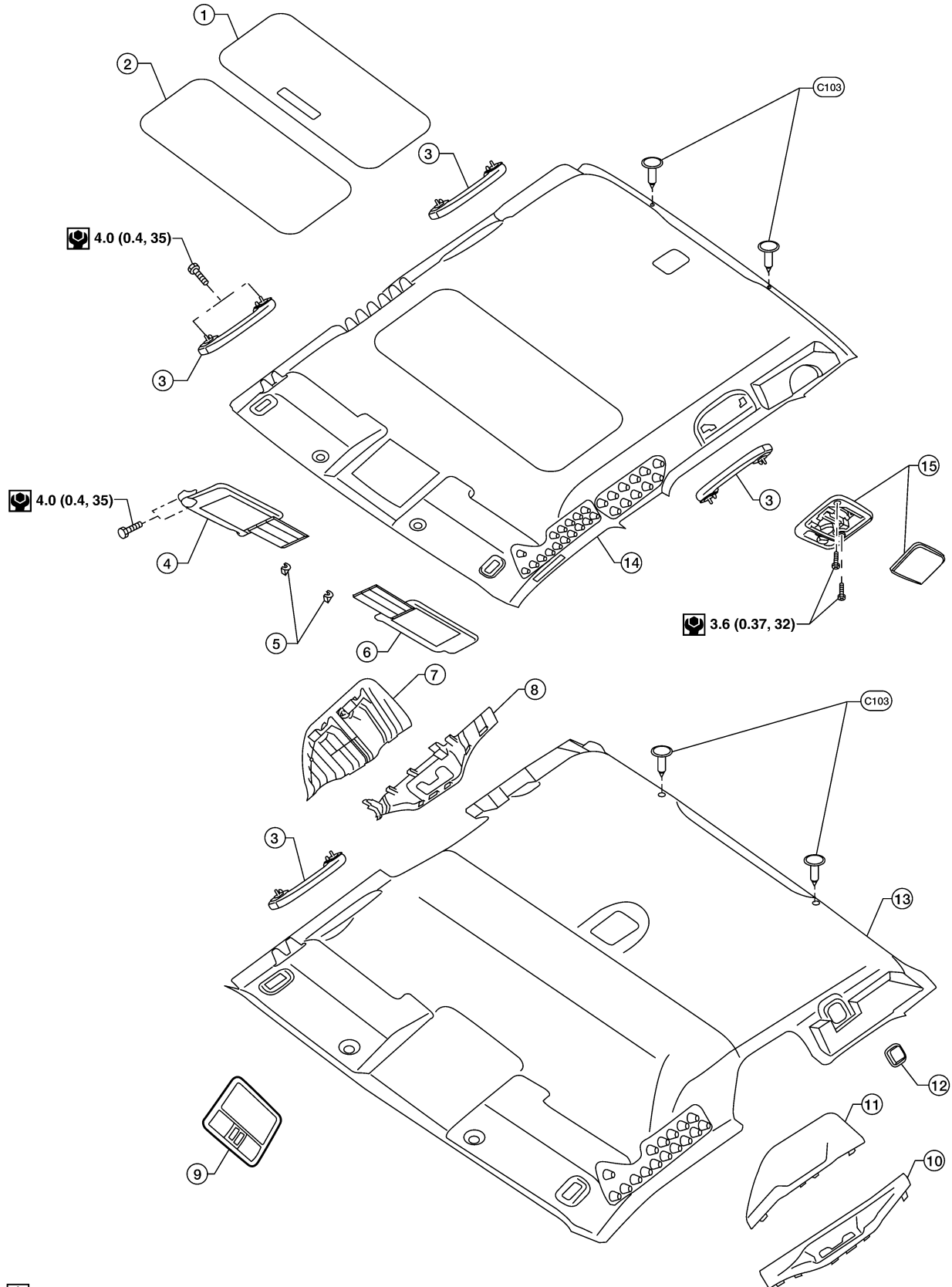
## HEADLINING


PFP:73910

### Removal and Installation

EIS0056F

SEC. 738



 : N·m (kg·m, in·lb)

LIA1975E

# HEADLINING

- |                                       |                                       |                                                                     |   |
|---------------------------------------|---------------------------------------|---------------------------------------------------------------------|---|
| 1. Sunroof shade cover (if equipped)  | 2. Sunroof welt (if equipped)         | 3. Assist grip                                                      | A |
| 4. Sun visor assembly RH              | 5. Sun visor holder RH/LH             | 6. Sun visor assembly LH                                            |   |
| 7. Striker cover outer RH (King Cab)  | 8. Striker cover inner RH (King Cab)  | 9. Roof console with front room lamp and sunglass bin (if equipped) | B |
| 10. Striker cover outer LH (King Cab) | 11. Striker cover inner LH (King Cab) | 12. Coat hook                                                       | B |
| 13. Headlining (King Cab)             | 14. Headlining (Crew cab w/sunroof)   | 15. Room lamp                                                       | C |

## REMOVAL

### CAUTION:

**Disconnect both the negative and positive battery terminals in advance.**

1. Disconnect the negative and positive battery terminals, then wait at least 3 minutes. D
2. Remove body side trim panels. Refer to [EI-35, "BODY SIDE TRIM"](#) .
3. Remove rear trim. Refer to [EI-38, "REAR"](#) .
4. Remove sun visor assemblies, both LH and RH. E
5. Remove sun visor holders LH and RH.
6. Remove roof console (if equipped). F
  - Disconnect harness.
7. Remove room lamp. G
  - Disconnect harness.
8. Remove striker covers (King Cab only).
9. Remove assist grips.
10. Remove rear window glass (Crew Cab only). Refer to [GW-15, "REAR WINDOW GLASS AND MOLDING"](#) H
11. Remove headlining.

### NOTE:

Use an assistant to steady the headlining while lowering from roof.

- Remove clips from center of headlining (if equipped).
  - Remove headlining by tilting through rear window opening on Crew Cab models.
12. Remove assist grip brackets from roof.

## INSTALLATION

Installation is in the reverse order of removal.

A  
B  
C  
D  
E  
F  
G  
H  
EI  
J  
K  
L  
M

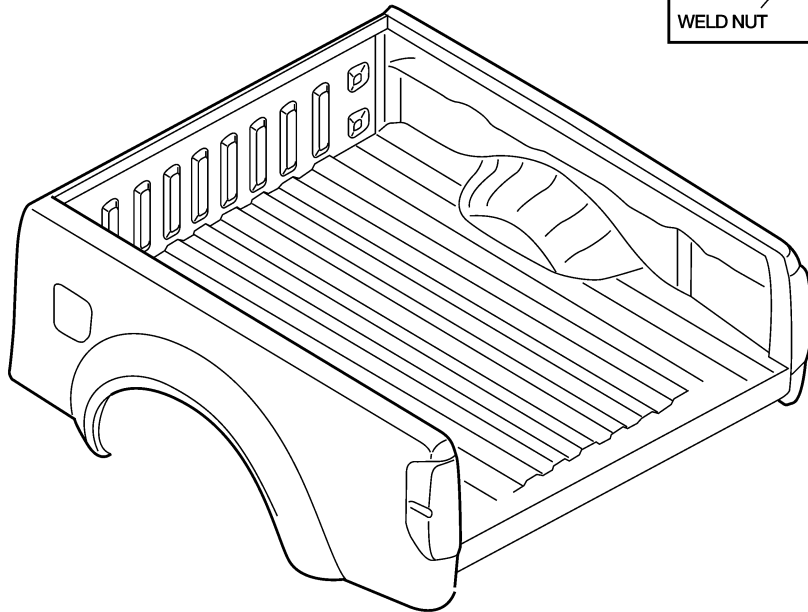
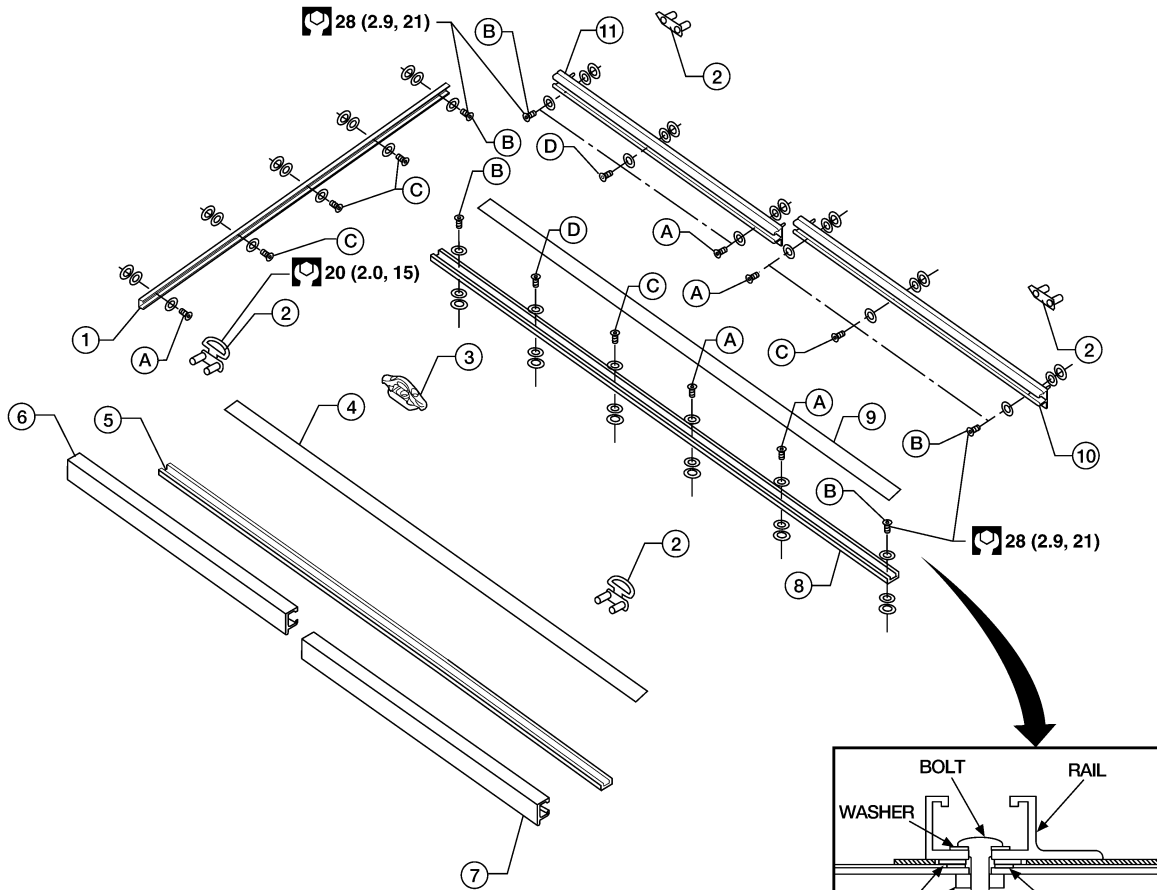
# BED RAILS AND TRIM

PFP:84999


EIS006VX

## BED RAILS AND TRIM Removal and Installation

SEC. 932•935•937



- (A) Tighten first
- (B) Tighten second
- (C) Tighten last
- (D) King cab only-tighten last

 N·m (kg·m, ft·lb)

W11A0650E

# BED RAILS AND TRIM

---

- |                                   |                                    |                                   |   |
|-----------------------------------|------------------------------------|-----------------------------------|---|
| 1. Header tiedown rail            | 2. Rope hook                       | 3. Tiedown cleat                  | A |
| 4. Floor rail cover LH            | 5. Floor rail LH                   | 6. Bed side front tiedown rail LH |   |
| 7. Bed side rear tiedown rail LH  | 8. Floor rail RH                   | 9. Floor rail cover RH            |   |
| 10. Bed side rear tiedown rail RH | 11. Bed side front tiedown rail RH |                                   | B |

## REMOVAL

1. Remove floor rail covers.
2. Remove tiedown cleats.
3. Remove floor rails LH/RH.
4. Remove bed side front and rear tiedown rails LH/RH.
5. Remove rope hooks.
6. Remove header tiedown rail.

## INSTALLATION

Installation is in the reverse order of removal.

A  
B  
C  
D  
E  
F  
G  
H  
EI  
J  
K  
L  
M

# TAIL GATE FINISHER

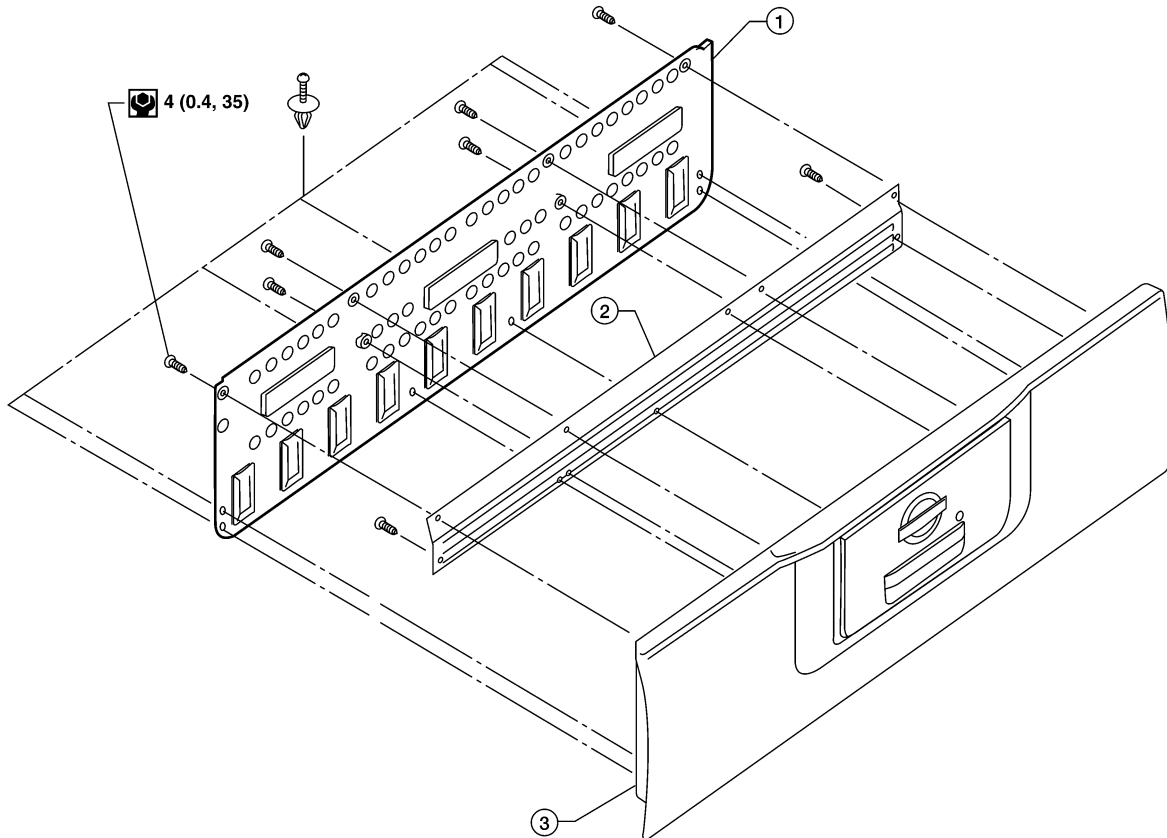
## TAIL GATE FINISHER


PFP:93486

### Removal and Installation

EIS006VY

SEC. 940



 N·m (kg·m, in·lb)

WIIA0649E

1. Tailgate protector (if equipped)      2. Tailgate cover plate      3. Tailgate

### REMOVAL

Remove screws and remove tailgate protector (if equipped) and tailgate cover plate.

### INSTALLATION

Installation is in the reverse order of removal.