

SECTION **IP**  
INSTRUMENT PANEL

A  
B  
C  
D  
E  
F  
G  
H  
I  
IP  
K  
L  
M  
N  
O  
P

CONTENTS

<b>PRECAUTION</b> .....	2	Diagnostic Worksheet .....	8
<b>PRECAUTIONS</b> .....	2	<b>ON-VEHICLE REPAIR</b> .....	10
Precaution for Supplemental Restraint System (SRS) "AIR BAG" and "SEAT BELT PRE-TEN- SIONER" .....	2	<b>INSTRUMENT PANEL ASSEMBLY</b> .....	10
<b>PREPARATION</b> .....	3	Exploded View .....	10
<b>PREPARATION</b> .....	3	Removal and Installation .....	10
Special Service Tool .....	3	<b>DISASSEMBLY AND ASSEMBLY</b> .....	16
Commercial Service Tool .....	3	<b>INSTRUMENT LOWER PANEL RH AND GLOVE BOX</b> .....	16
<b>SYMPTOM DIAGNOSIS</b> .....	4	Exploded View .....	16
<b>SQUEAK AND RATTLE TROUBLE DIAG- NOSES</b> .....	4	Disassembly and Assembly .....	16
Work Flow .....	4	<b>CENTER CONSOLE ASSEMBLY</b> .....	18
Generic Squeak and Rattle Troubleshooting .....	6	Exploded View .....	18
		Disassembly and Assembly .....	18

# PRECAUTIONS

< PRECAUTION >

---

## PRECAUTION

### PRECAUTIONS

#### Precaution for Supplemental Restraint System (SRS) "AIR BAG" and "SEAT BELT PRE-TENSIONER"

INFOID:000000003221708

The Supplemental Restraint System such as "AIR BAG" and "SEAT BELT PRE-TENSIONER", used along with a front seat belt, helps to reduce the risk or severity of injury to the driver and front passenger for certain types of collision. This system includes seat belt switch inputs and dual stage front air bag modules. The SRS system uses the seat belt switches to determine the front air bag deployment, and may only deploy one front air bag, depending on the severity of a collision and whether the front occupants are belted or unbelted. Information necessary to service the system safely is included in the SR and SB section of this Service Manual.

**WARNING:**

- To avoid rendering the SRS inoperative, which could increase the risk of personal injury or death in the event of a collision which would result in air bag inflation, all maintenance must be performed by an authorized NISSAN/INFINITI dealer.
- Improper maintenance, including incorrect removal and installation of the SRS, can lead to personal injury caused by unintentional activation of the system. For removal of Spiral Cable and Air Bag Module, see the SR section.
- Do not use electrical test equipment on any circuit related to the SRS unless instructed to in this Service Manual. SRS wiring harnesses can be identified by yellow and/or orange harnesses or harness connectors.

# PREPARATION

< PREPARATION >

## PREPARATION

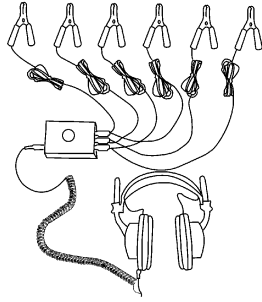
### PREPARATION

#### Special Service Tool

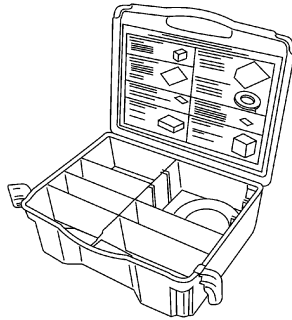
INFOID:000000003221709

The actual shapes of Kent-Moore tools may differ from those of special service tools illustrated here.

Tool number (Kent-Moore No.) Tool name	Description
— (J-39570) Chassis ear	Locating the noise
— (J-43980) NISSAN Squeak and Rattle kit	Repairing the cause of noise



SBT839

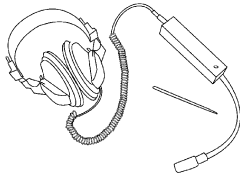


SBT840

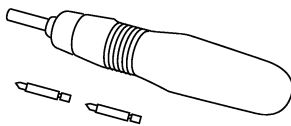
#### Commercial Service Tool

INFOID:000000003221710

(Kent-Moore No.) Tool name	Description
(J-39565) Engine ear	Locating the noise
Power Tool	Loosening bolts and nuts



S1IA0995E



PBIC0191E

# SQUEAK AND RATTLE TROUBLE DIAGNOSES

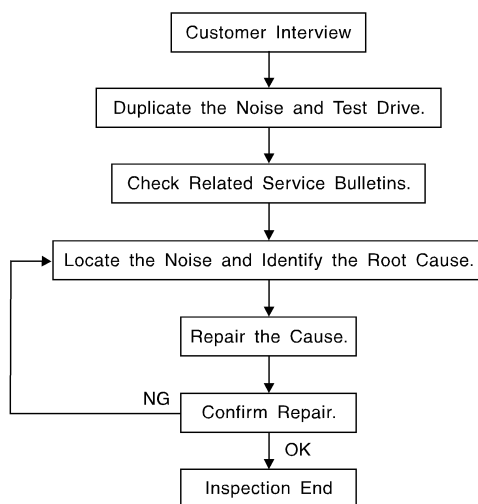
< SYMPTOM DIAGNOSIS >

## SYMPTOM DIAGNOSIS

### SQUEAK AND RATTLE TROUBLE DIAGNOSES

#### Work Flow

INFOID:000000003221711



SBT842

#### CUSTOMER INTERVIEW

Interview the customer if possible, to determine the conditions that exist when the noise occurs. Use the Diagnostic Worksheet during the interview to document the facts and conditions when the noise occurs and any customer's comments; refer to [IP-8. "Diagnostic Worksheet"](#). This information is necessary to duplicate the conditions that exist when the noise occurs.

- The customer may not be able to provide a detailed description or the location of the noise. Attempt to obtain all the facts and conditions that exist when the noise occurs (or does not occur).
- If there is more than one noise in the vehicle, be sure to diagnose and repair the noise that the customer is concerned about. This can be accomplished by test driving the vehicle with the customer.
- After identifying the type of noise, isolate the noise in terms of its characteristics. The noise characteristics are provided so the customer, service adviser and technician are all speaking the same language when defining the noise.
- Squeak —(Like tennis shoes on a clean floor)  
Squeak characteristics include the light contact/fast movement/brought on by road conditions/hard surfaces = higher pitch noise/softer surfaces = lower pitch noises/edge to surface = chirping.
- Creak—(Like walking on an old wooden floor)  
Creak characteristics include firm contact/slow movement/twisting with a rotational movement/pitch dependent on materials/often brought on by activity.
- Rattle—(Like shaking a baby rattle)  
Rattle characteristics include the fast repeated contact/vibration or similar movement/loose parts/missing clip or fastener/incorrect clearance.
- Knock —(Like a knock on a door)  
Knock characteristics include hollow sounding/sometimes repeating/often brought on by driver action.
- Tick—(Like a clock second hand)  
Tick characteristics include gentle contacting of light materials/loose components/can be caused by driver action or road conditions.
- Thump—(Heavy, muffled knock noise)  
Thump characteristics include softer knock/dead sound often brought on by activity.
- Buzz—(Like a bumble bee)  
Buzz characteristics include high frequency rattle/firm contact.
- Often the degree of acceptable noise level will vary depending upon the person. A noise that you may judge as acceptable may be very irritating to the customer.
- Weather conditions, especially humidity and temperature, may have a great effect on noise level.

#### DUPLICATE THE NOISE AND TEST DRIVE

# SQUEAK AND RATTLE TROUBLE DIAGNOSES

## < SYMPTOM DIAGNOSIS >

If possible, drive the vehicle with the customer until the noise is duplicated. Note any additional information on the Diagnostic Worksheet regarding the conditions or location of the noise. This information can be used to duplicate the same conditions when you confirm the repair.

If the noise can be duplicated easily during the test drive, to help identify the source of the noise, try to duplicate the noise with the vehicle stopped by doing one or all of the following:

- 1) Close a door.
  - 2) Tap or push/pull around the area where the noise appears to be coming from.
  - 3) Rev the engine.
  - 4) Use a floor jack to recreate vehicle "twist".
  - 5) At idle, apply engine load (electrical load, half-clutch on M/T model, drive position on A/T model).
  - 6) Raise the vehicle on a hoist and hit a tire with a rubber hammer.
- Drive the vehicle and attempt to duplicate the conditions the customer states exist when the noise occurs.
  - If it is difficult to duplicate the noise, drive the vehicle slowly on an undulating or rough road to stress the vehicle body.

## CHECK RELATED SERVICE BULLETINS

After verifying the customer concern or symptom, check ASIST for Technical Service Bulletins (TSBs) related to that concern or symptom.

If a TSB relates to the symptom, follow the procedure to repair the noise.

## LOCATE THE NOISE AND IDENTIFY THE ROOT CAUSE

1. Narrow down the noise to a general area. To help pinpoint the source of the noise, use a listening tool (Chassis Ear: J-39570, Engine Ear: J-39565 and mechanic's stethoscope).
2. Narrow down the noise to a more specific area and identify the cause of the noise by:
  - removing the components in the area that you suspect the noise is coming from.  
Do not use too much force when removing clips and fasteners, otherwise clips and fasteners can be broken or lost during the repair, resulting in the creation of new noise.
  - tapping or pushing/pulling the component that you suspect is causing the noise.  
Do not tap or push/pull the component with excessive force, otherwise the noise will be eliminated only temporarily.
  - feeling for a vibration with your hand by touching the component(s) that you suspect is (are) causing the noise.
  - placing a piece of paper between components that you suspect are causing the noise.
  - looking for loose components and contact marks.  
Refer to [IP-6, "Generic Squeak and Rattle Troubleshooting"](#).

## REPAIR THE CAUSE

- If the cause is a loose component, tighten the component securely.
- If the cause is insufficient clearance between components:
  - separate components by repositioning or loosening and retightening the component, if possible.
  - insulate components with a suitable insulator such as urethane pads, foam blocks, felt cloth tape or urethane tape. A NISSAN Squeak and Rattle Kit (J-43980) is available through your authorized NISSAN Parts Department.

### **CAUTION:**

**Do not use excessive force as many components are constructed of plastic and may be damaged.**

**Always check with the Parts Department for the latest parts information.**

**The following materials are contained in the NISSAN Squeak and Rattle Kit (J-43980). Each item can be ordered separately as needed.**

**URETHANE PADS [1.5 mm (0.059 in) thick]**

**Insulates connectors, harness, etc.**

**76268-9E005: 100×135 mm (3.94×5.31 in)/76884-71L01: 60×85 mm (2.36×3.35 in)/76884-71L02: 15×25 mm (0.59×0.98 in)**

**INSULATOR (Foam blocks)**

**Insulates components from contact. Can be used to fill space behind a panel.**

**73982-9E000: 45 mm (1.77 in) thick, 50×50 mm (1.97×1.97 in)/73982-50Y00: 10 mm (0.39 in) thick, 50×50 mm (1.97×1.97 in)**

**INSULATOR (Light foam block)**

**80845-71L00: 30 mm (1.18 in) thick, 30×50 mm (1.18×1.97 in)**

**FELT CLOTH TAPE**

**Used to insulate where movement does not occur. Ideal for instrument panel applications.**

# SQUEAK AND RATTLE TROUBLE DIAGNOSES

## < SYMPTOM DIAGNOSIS >

**68370-4B000: 15×25 mm (0.59×0.98 in) pad/68239-13E00: 5 mm (0.20 in) wide tape roll.** The following materials not found in the kit can also be used to repair squeaks and rattles.

### **UHMW (TEFLON) TAPE**

Insulates where slight movement is present. Ideal for instrument panel applications.

### **SILICONE GREASE**

Used instead of UHMW tape that will be visible or not fit.

Note: Will only last a few months.

### **SILICONE SPRAY**

Use when grease cannot be applied.

### **DUCT TAPE**

Use to eliminate movement.

## CONFIRM THE REPAIR

Confirm that the cause of a noise is repaired by test driving the vehicle. Operate the vehicle under the same conditions as when the noise originally occurred. Refer to the notes on the Diagnostic Worksheet.

## Generic Squeak and Rattle Troubleshooting

INFOID:000000003221712

Refer to Table of Contents for specific component removal and installation information.

## INSTRUMENT PANEL

Most incidents are caused by contact and movement between:

1. The cluster lid A and instrument panel
2. Acrylic lens and combination meter housing
3. Instrument panel to front pillar garnish
4. Instrument panel to windshield
5. Instrument panel mounting pins
6. Wiring harnesses behind the combination meter
7. A/C defroster duct and duct joint

These incidents can usually be located by tapping or moving the components to duplicate the noise or by pressing on the components while driving to stop the noise. Most of these incidents can be repaired by applying felt cloth tape or silicone spray (in hard to reach areas). Urethane pads can be used to insulate wiring harness.

### **CAUTION:**

**Do not use silicone spray to isolate a squeak or rattle. If you saturate the area with silicone, you will not be able to recheck the repair.**

## CENTER CONSOLE

Components to pay attention to include:

1. Shifter assembly cover to finisher
2. A/C control unit and cluster lid C
3. Wiring harnesses behind audio and A/C control unit

The instrument panel repair and isolation procedures also apply to the center console.

## DOORS

Pay attention to the:

1. Finisher and inner panel making a slapping noise
2. Inside handle escutcheon to door finisher
3. Wiring harnesses tapping
4. Door striker out of alignment causing a popping noise on starts and stops

Tapping or moving the components or pressing on them while driving to duplicate the conditions can isolate many of these incidents. You can usually insulate the areas with felt cloth tape or insulator foam blocks from the NISSAN Squeak and Rattle Kit (J-43980) to repair the noise.

## TRUNK

Trunk noises are often caused by a loose jack or loose items put into the trunk by the owner.

In addition look for:

1. Trunk lid bumpers out of adjustment

# SQUEAK AND RATTLE TROUBLE DIAGNOSES

## < SYMPTOM DIAGNOSIS >

---

2. Trunk lid striker out of adjustment
3. The trunk lid torsion bars knocking together
4. A loose license plate or bracket

Most of these incidents can be repaired by adjusting, securing or insulating the item(s) or component(s) causing the noise.

## SUNROOF/HEADLINING

Noises in the sunroof/headlining area can often be traced to one of the following:

1. Sunroof lid, rail, linkage or seals making a rattle or light knocking noise
2. Sun visor shaft shaking in the holder
3. Front or rear windshield touching headliner and squeaking

Again, pressing on the components to stop the noise while duplicating the conditions can isolate most of these incidents. Repairs usually consist of insulating with felt cloth tape.

## OVERHEAD CONSOLE (FRONT AND REAR)

Overhead console noises are often caused by the console panel clips not being engaged correctly. Most of these incidents are repaired by pushing up on the console at the clip locations until the clips engage.

In addition look for:

1. Loose harness or harness connectors.
2. Front console map/reading lamp lens loose.
3. Loose screws at console attachment points.

## SEATS

When isolating seat noise it's important to note the position the seat is in and the load placed on the seat when the noise is present. These conditions should be duplicated when verifying and isolating the cause of the noise.

Cause of seat noise include:

1. Headrest rods and holder
2. A squeak between the seat pad cushion and frame
3. The rear seatback lock and bracket

These noises can be isolated by moving or pressing on the suspected components while duplicating the conditions under which the noise occurs. Most of these incidents can be repaired by repositioning the component or applying urethane tape to the contact area.

## UNDERHOOD

Some interior noise may be caused by components under the hood or on the engine wall. The noise is then transmitted into the passenger compartment.

Causes of transmitted underhood noise include:

1. Any component mounted to the engine wall
2. Components that pass through the engine wall
3. Engine wall mounts and connectors
4. Loose radiator mounting pins
5. Hood bumpers out of adjustment
6. Hood striker out of adjustment

These noises can be difficult to isolate since they cannot be reached from the interior of the vehicle. The best method is to secure, move or insulate one component at a time and test drive the vehicle. Also, engine RPM or load can be changed to isolate the noise. Repairs can usually be made by moving, adjusting, securing, or insulating the component causing the noise.

A  
B  
C  
D  
E  
F  
G  
H  
I  
IP  
K  
L  
M  
N  
O  
P

# SQUEAK AND RATTLE TROUBLE DIAGNOSES

< SYMPTOM DIAGNOSIS >

## Diagnostic Worksheet

INFOID:000000003221713

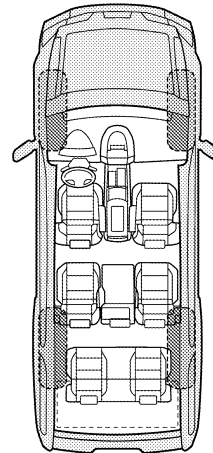
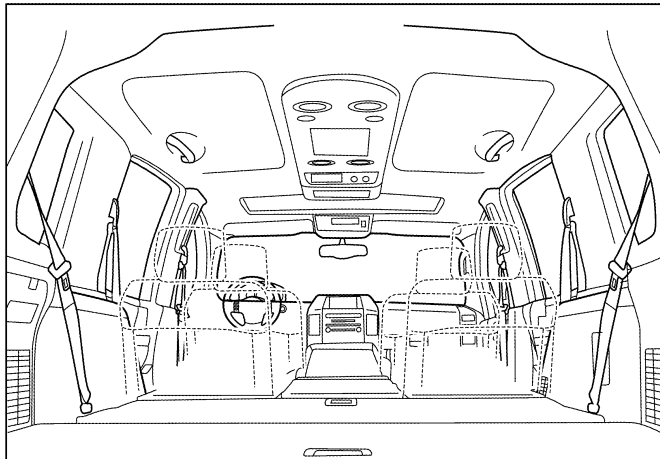
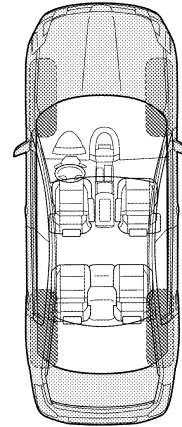
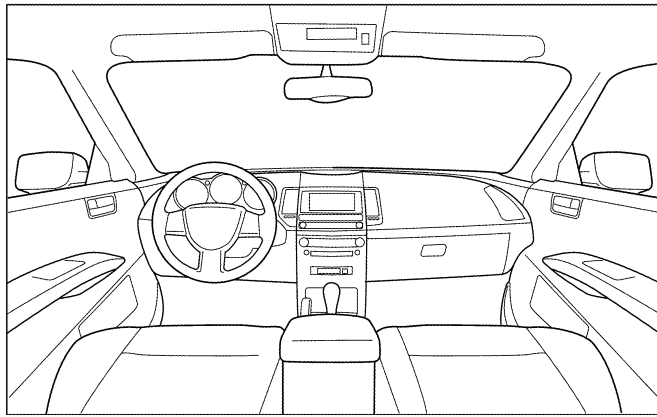
Dear Customer:

We are concerned about your satisfaction with your vehicle. Repairing a squeak or rattle sometimes can be very difficult. To help us fix your vehicle right the first time, please take a moment to note the area of the vehicle where the squeak or rattle occurs and under what conditions. You may be asked to take a test drive with a service advisor or technician to ensure we confirm the noise you are hearing.

### SQUEAK & RATTLE DIAGNOSTIC WORKSHEET

#### I. WHERE DOES THE NOISE COME FROM? (circle the area of the vehicle)

The illustrations are for reference only, and may not reflect the actual configuration of your vehicle.



Continue to page 2 of the worksheet and briefly describe the location of the noise or rattle. In addition, please indicate the conditions which are present when the noise occurs.



# SQUEAK AND RATTLE TROUBLE DIAGNOSES

< SYMPTOM DIAGNOSIS >

## SQUEAK & RATTLE DIAGNOSTIC WORKSHEET - page 2

Briefly describe the location where the noise occurs:

---

---

### II. WHEN DOES IT OCCUR? (please check the boxes that apply)

- |   |  |
|---|--|
| <input type="checkbox"/> Anytime                      | <input type="checkbox"/> After sitting out in the rain |
| <input type="checkbox"/> 1st time in the morning      | <input type="checkbox"/> When it is raining or wet     |
| <input type="checkbox"/> Only when it is cold outside | <input type="checkbox"/> Dry or dusty conditions       |
| <input type="checkbox"/> Only when it is hot outside  | <input type="checkbox"/> Other:                        |

### III. WHEN DRIVING:

- Through driveways
- Over rough roads
- Over speed bumps
- Only about \_\_\_\_ mph
- On acceleration
- Coming to a stop
- On turns: left, right or either (circle)
- With passengers or cargo
- Other: \_\_\_\_\_
- After driving \_\_\_\_ miles or \_\_\_\_ minutes

### IV. WHAT TYPE OF NOISE

- Squeak (like tennis shoes on a clean floor)
- Creak (like walking on an old wooden floor)
- Rattle (like shaking a baby rattle)
- Knock (like a knock at the door)
- Tick (like a clock second hand)
- Thump (heavy muffled knock noise)
- Buzz (like a bumble bee)

### TO BE COMPLETED BY DEALERSHIP PERSONNEL

#### Test Drive Notes:

---

---

---

	YES	NO	Initials of person performing
Vehicle test driven with customer	<input type="checkbox"/>	<input type="checkbox"/>	_____
- Noise verified on test drive	<input type="checkbox"/>	<input type="checkbox"/>	_____
- Noise source located and repaired	<input type="checkbox"/>	<input type="checkbox"/>	_____
- Follow up test drive performed to confirm repair	<input type="checkbox"/>	<input type="checkbox"/>	_____

VIN: \_\_\_\_\_ Customer Name \_\_\_\_\_

W.O.# \_\_\_\_\_ Date: \_\_\_\_\_

This form must be attached to Work Order

LAI A0071E

A  
B  
C  
D  
E  
F  
G  
H  
I  
IP  
K  
L  
M  
N  
O  
P

# INSTRUMENT PANEL ASSEMBLY

< ON-VEHICLE REPAIR >

## ON-VEHICLE REPAIR

### INSTRUMENT PANEL ASSEMBLY

Exploded View

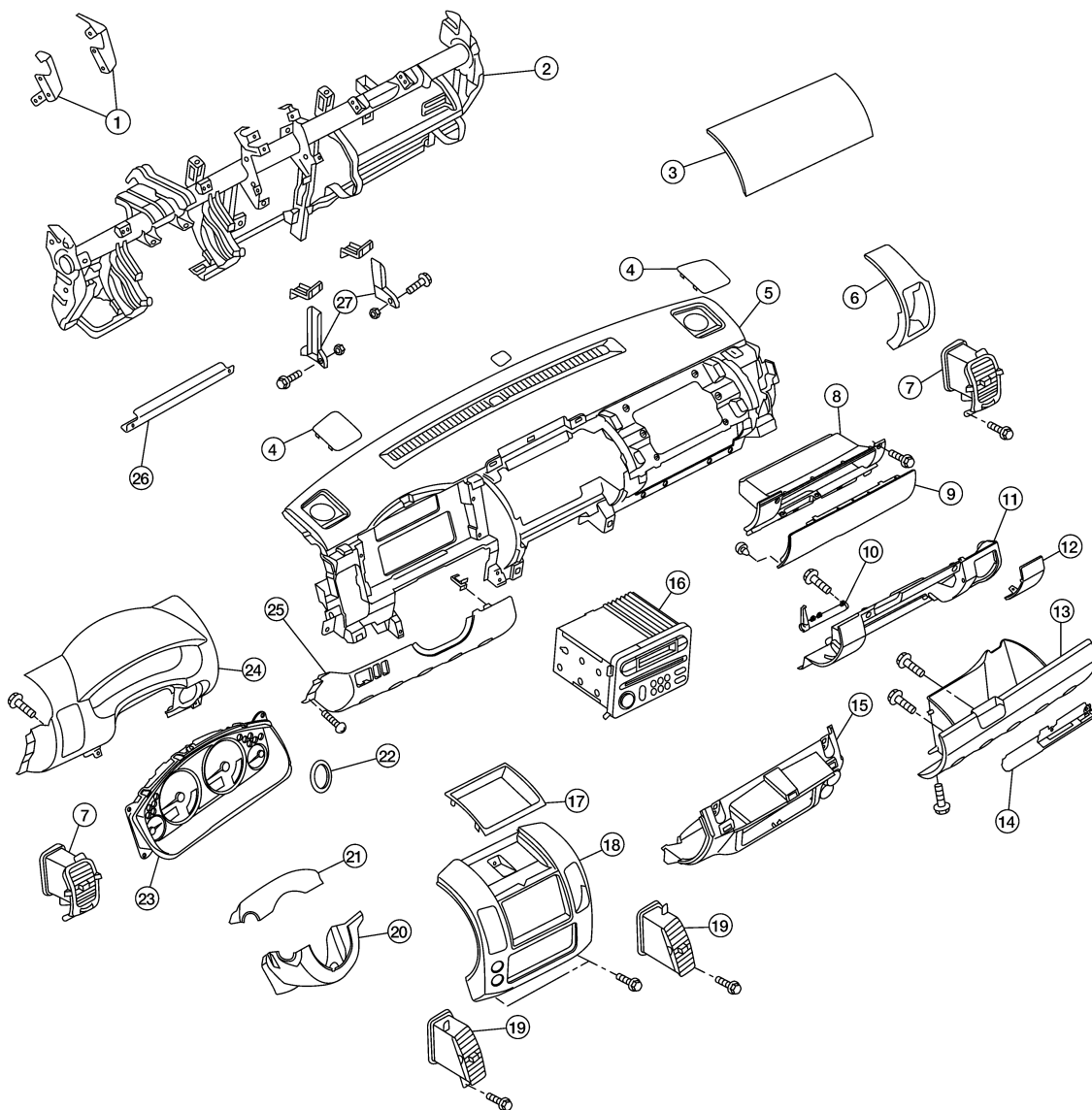
INFOID:000000003221714

Removal and Installation

INFOID:000000003221715

INSTRUMENT PANEL

SEC. 248 • 280 • 487 • 680



WIIA0562E

- |                               |                                      |                                   |
|-------------------------------|--------------------------------------|-----------------------------------|
| 1. Display unit bracket RH/LH | 2. Steering member assembly          | 3. Passenger air bag module cover |
| 4. Speaker grille RH/LH       | 5. Instrument panel and pad assembly | 6. Instrument side finisher       |

# INSTRUMENT PANEL ASSEMBLY

## < ON-VEHICLE REPAIR >

- |                                      |                                    |                                 |
|--------------------------------------|------------------------------------|---------------------------------|
| 7. Side ventilator assembly RH/LH    | 8. Upper glove box bin             | 9. Upper glove box door         |
| 10. Lower glove box damper assembly  | 11. Lower instrument panel RH      | 12. Fuse block cover            |
| 13. Lower glove box assembly         | 14. Lower glove box latch assembly | 15. Cluster lid D               |
| 16. Audio unit                       | 17. Storage tray                   | 18. Cluster lid C               |
| 19. Center ventilator assembly RH/LH | 20. Steering column cover lower    | 21. Steering column cover upper |
| 22. Steering lock escutcheon         | 23. Combination meter              | 24. Cluster lid A               |
| 25. Lower instrument panel LH        | 26. Knee protector brace           | 27. Instrument stay RH/LH       |

### Removal

#### **CAUTION:**

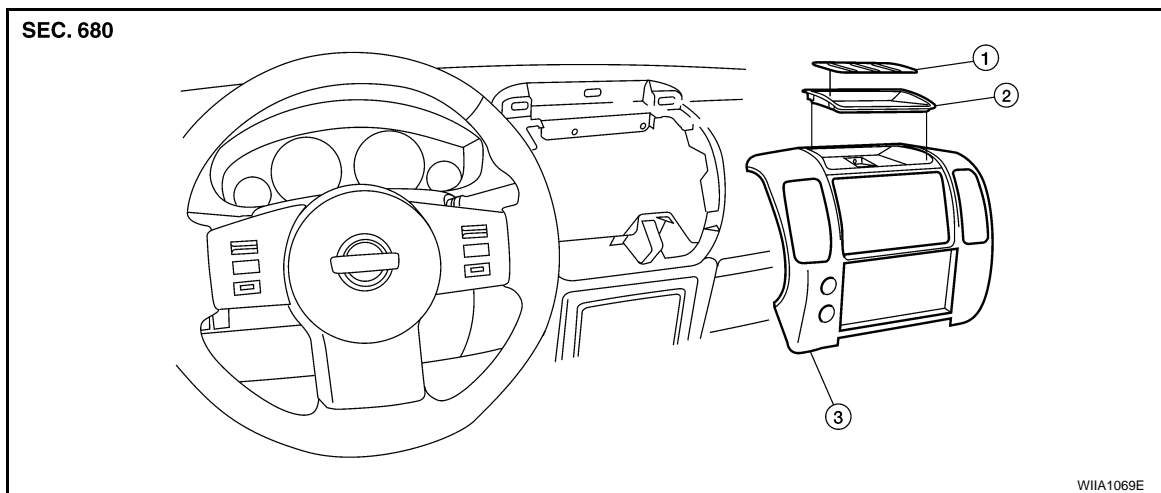
**Before servicing, turn the ignition switch off, disconnect both battery terminals, then wait at least 3 minutes.**

1. Disconnect the battery negative terminal.
2. Remove the center console. Refer to [IP-10, "Removal and Installation"](#).
3. Remove the combination meter. Refer to [MWI-91, "Removal and Installation"](#).
4. Remove front pillar upper finisher. Refer to [INT-17, "Removal and Installation"](#).
5. Remove audio unit. Refer to [AV-28, "Removal and Installation"](#).
6. Remove cluster lid D. Refer to [IP-10, "Removal and Installation"](#).
7. Remove the passenger air bag module. Refer to [SR-8, "Removal and Installation"](#).
8. Remove the instrument stay RH/LH bolts.
9. Remove instrument panel and pad assembly.
  - Disconnect all remaining harnesses.

### Installation

Installation is in the reverse order of removal.

## CLUSTER LID C



1. Storage tray liner
2. Storage tray
3. Cluster lid C

### Removal

#### **CAUTION:**

**Before servicing, turn the ignition switch off, disconnect both battery terminals, then wait at least 3 minutes.**

1. Disconnect the battery negative terminal.
2. Select neutral, then remove shifter handle.
3. Remove A/T finisher. [IP-10, "Removal and Installation"](#)
4. Remove the center console bin screws and center console bin.
5. Remove cluster lid C bolts, then release the clips and remove cluster lid C.
6. Disconnect electrical connectors and remove cluster lid C.

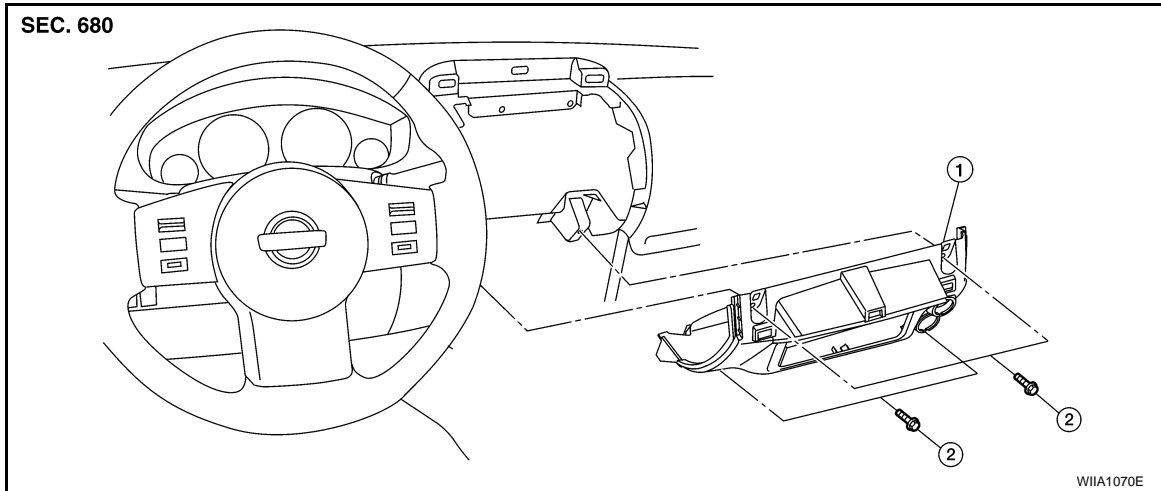
### Installation

# INSTRUMENT PANEL ASSEMBLY

< ON-VEHICLE REPAIR >

Installation is in the reverse order of removal.

## CLUSTER LID D



1. Cluster lid D
2. Cluster lid D screw

### Removal

1. Remove center console.
2. Remove lower instrument panel LH. Refer to [IP-10, "Removal and Installation"](#).
3. Remove lower instrument panel RH. Refer to [IP-10, "Removal and Installation"](#).
4. Remove cluster lid C. Refer to [IP-10, "Removal and Installation"](#).
5. Disconnect the electrical connectors and remove cluster lid D.

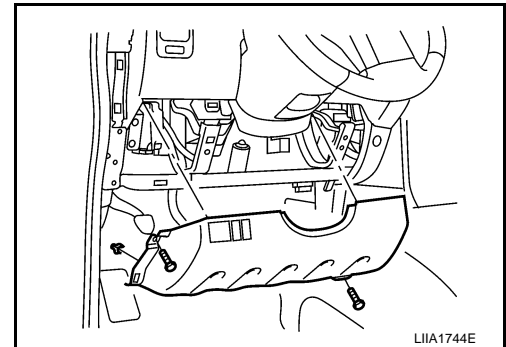
### Installation

Installation is in the reverse order of removal.

## LOWER INSTRUMENT PANEL LH

### Removal

1. Remove front pillar lower finisher. Refer to [INT-17, "Removal and Installation"](#).
2. Remove lower instrument panel LH screws, using power tool.
3. Pull rearward to release lower instrument panel LH.
4. Disconnect lower instrument panel LH harness connectors.



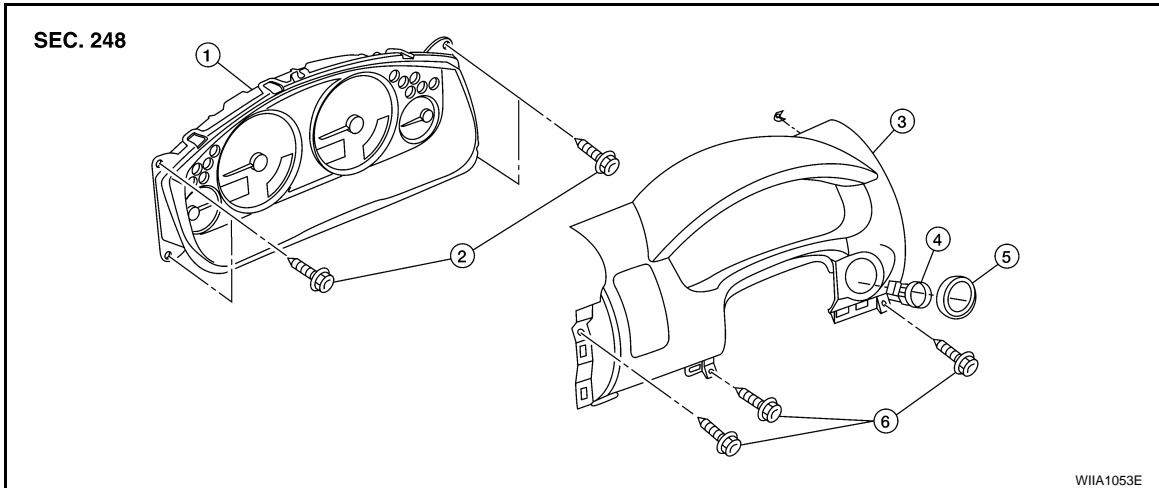
### Installation

Installation is in the reverse order of removal.

# INSTRUMENT PANEL ASSEMBLY

< ON-VEHICLE REPAIR >

## COMBINATION METER



- |                               |                             |                         |
|-------------------------------|-----------------------------|-------------------------|
| 1. Combination meter          | 2. Combination meter screws | 3. Cluster lid A        |
| 4. Ignition key lamp assembly | 5. Steering lock escutcheon | 6. Cluster lid A screws |

### Removal

1. Disconnect the negative battery cable.
2. Remove front pillar upper finisher. Refer to [INT-17, "Removal and Installation"](#).
3. Remove lower instrument panel LH. Refer to [IP-10, "Removal and Installation"](#).
4. Remove steering lock escutcheon.
5. Remove cluster lid A, using power tool. Refer to [IP-10, "Removal and Installation"](#).
6. Remove combination meter, using power tool. Refer to [MWI-91, "Removal and Installation"](#).
7. Disconnect combination meter electrical connectors.

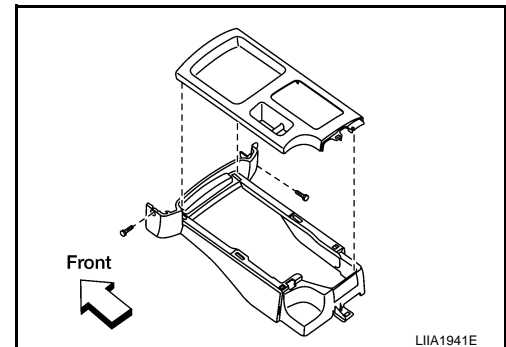
### Installation

Installation is in the reverse order of removal.

## A/T FINISHER

### Removal

1. Remove cup holder finisher.
2. Pull up to release clips and disconnect the connectors, then remove the A/T finisher.



### Installation

Installation is in the reverse order of removal.

## M/T FINISHER

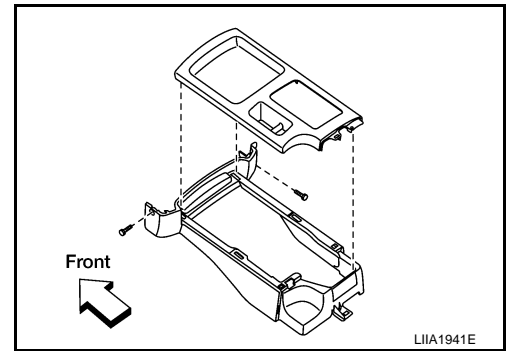
### Removal

1. Remove cup holder finisher.

# INSTRUMENT PANEL ASSEMBLY

## < ON-VEHICLE REPAIR >

2. Pull up to release clips and disconnect the connectors, then remove the M/T finisher.



### Installation

Installation is in the reverse order of removal.

## LOWER INSTRUMENT PANEL RH AND LOWER GLOVE BOX

### Removal

1. Disconnect the negative battery terminal.
2. Remove front pillar lower finisher. Refer to [INT-17, "Removal and Installation"](#).
3. Remove lower instrument panel RH screws, using power tool. Refer to [IP-10, "Removal and Installation"](#).
4. Remove lower instrument panel RH and lower glove box.

### Installation

#### **NOTE:**

Install upper glove box before installing lower glove box.

Installation is in the reverse order of removal.

## UPPER GLOVE BOX

### Removal

1. Remove lower instrument panel RH and lower glove box. Refer to [IP-10, "Removal and Installation"](#).
2. Remove cluster lid C. Refer to [IP-10, "Removal and Installation"](#).
3. Remove upper glove box screws, using power tool.
4. Remove upper glove box. [IP-10, "Removal and Installation"](#)

### Installation

Installation is in the reverse order of removal.

## CENTER CONSOLE

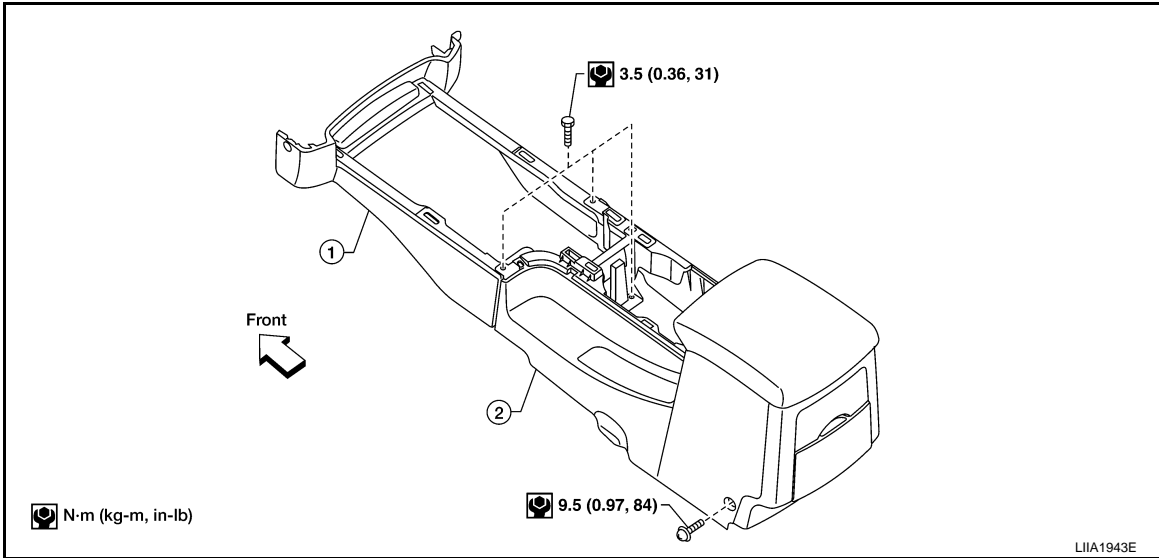
### Removal

1. Remove lower instrument panel RH. Refer to [IP-10, "Removal and Installation"](#).
2. Remove cup holder finisher.
3. Remove A/T or M/T finisher. Refer to [IP-10, "Removal and Installation"](#).

# INSTRUMENT PANEL ASSEMBLY

< ON-VEHICLE REPAIR >

4. Remove center console screws.



5. Disconnect electrical connectors and remove center console.

Installation

Installation is in the reverse order of removal.

A  
B  
C  
D  
E  
F  
G  
H  
I  
IP  
K  
L  
M  
N  
O  
P

# INSTRUMENT LOWER PANEL RH AND GLOVE BOX

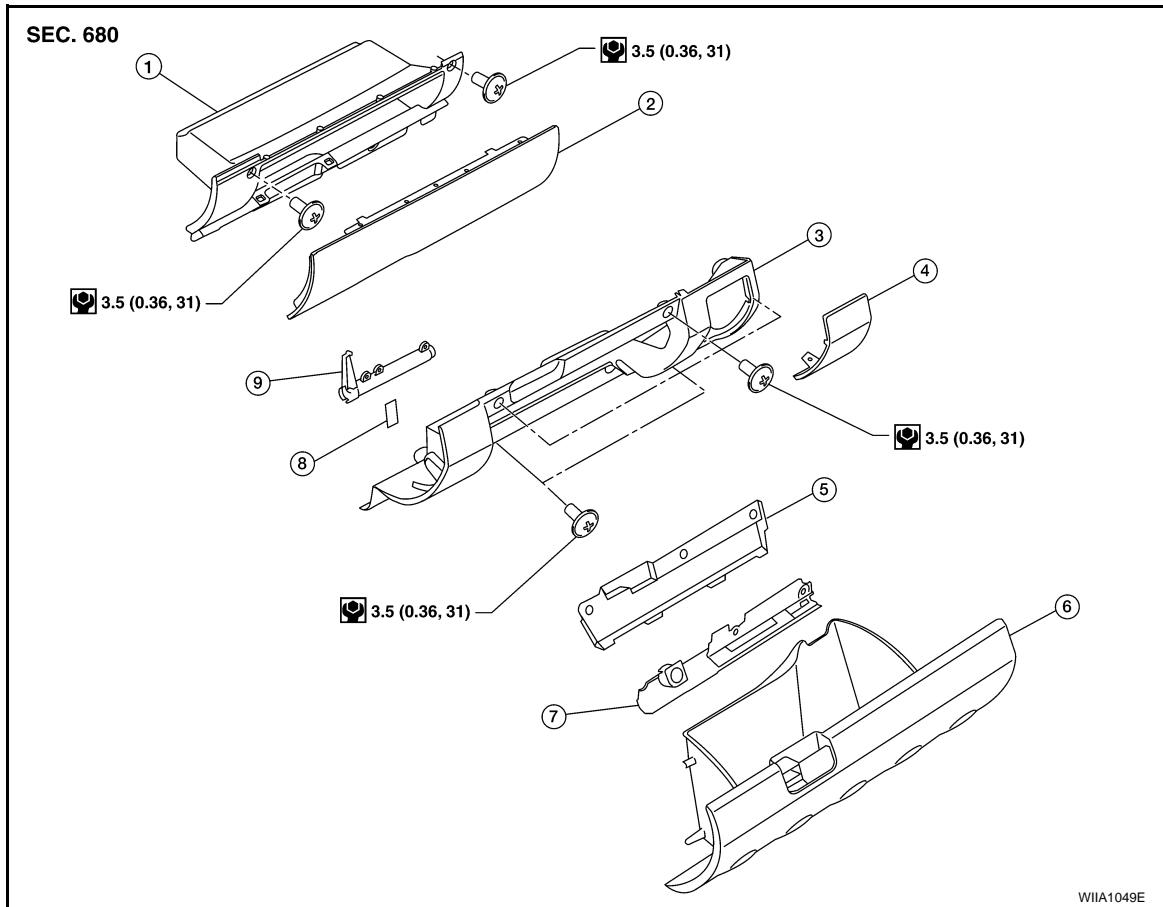
< DISASSEMBLY AND ASSEMBLY >

## DISASSEMBLY AND ASSEMBLY

### INSTRUMENT LOWER PANEL RH AND GLOVE BOX

Exploded View

INFOID:000000003221716



- |                                   |   |                              |
|-----------------------------------|---|------------------------------|
| 1. Upper glove box                | 2. Upper glove box door                 | 3. Lower instrument panel RH |
| 4. Fuse block cover               | 5. Lower glove box latch assembly cover | 6. Lower glove box           |
| 7. Lower glove box latch assembly | 8. Damper hook                          | 9. Lower glove box damper    |

### Disassembly and Assembly

INFOID:000000003221717

#### INSTRUMENT LOWER PANEL RH AND GLOVE BOX

##### Disassembly

1. Remove fuse block cover.
2. Remove damper hook.
3. Remove lower glove box latch cover.
4. Remove lower glove box latch assembly.

##### Assembly

Assembly is in the reverse order of disassembly.

#### UPPER GLOVE BOX

##### Disassembly

1. Remove upper glove box door screws.
2. Remove upper glove box door.



# INSTRUMENT LOWER PANEL RH AND GLOVE BOX

< DISASSEMBLY AND ASSEMBLY >

---

Assembly

Assembly is in the reverse order of disassembly.

A

B

C

D

E

F

G

H

I

**IP**

K

L

M

N

O

P

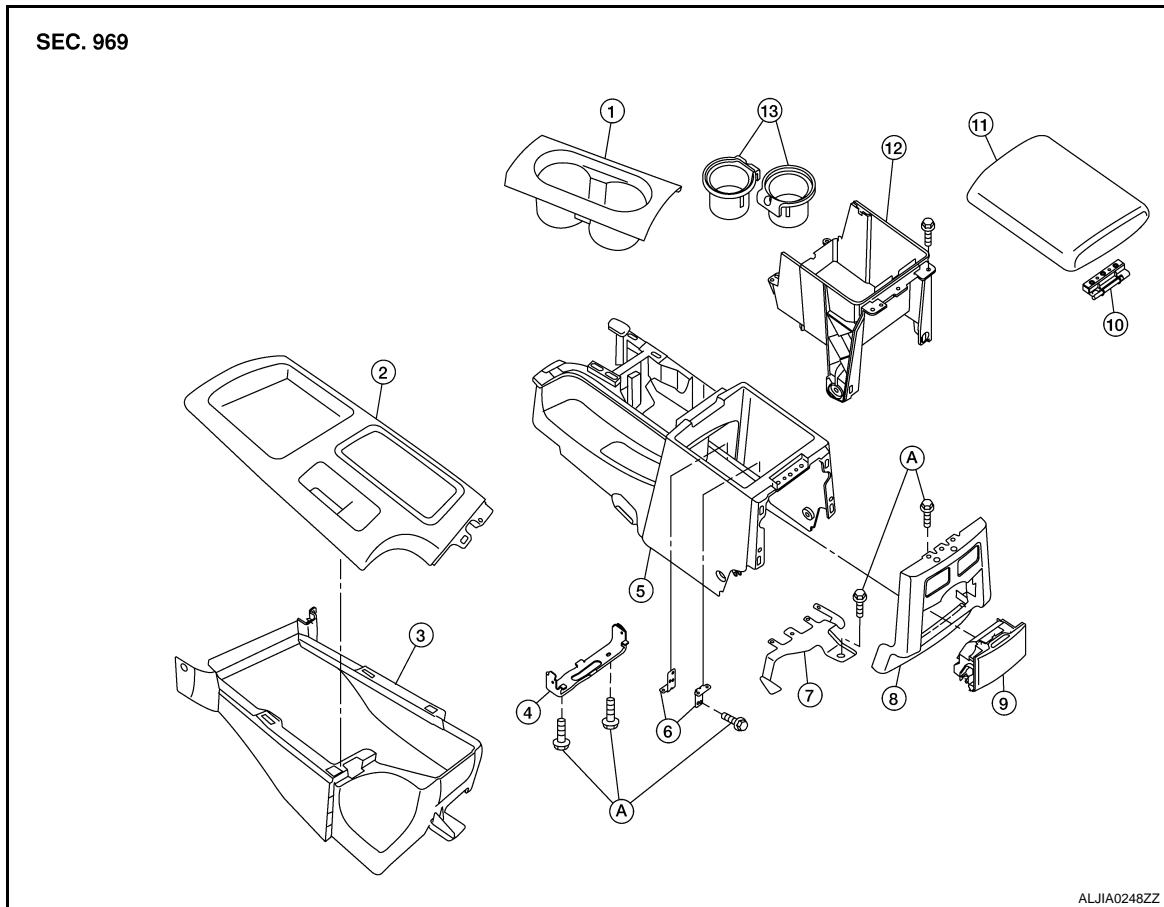
# CENTER CONSOLE ASSEMBLY

< DISASSEMBLY AND ASSEMBLY >

## CENTER CONSOLE ASSEMBLY

Exploded View

INFOID:000000003303856



- |                         |                             |                              |
|-------------------------|-----------------------------|------------------------------|
| 1. Cup holder finisher  | 2. Upper finisher           | 3. Center console front base |
| 4. Bracket              | 5. Center console rear base | 6. Bracket                   |
| 7. Wire harness bracket | 8. Rear finisher assembly   | 9. Rear cup holder assembly  |
| 10. Hinge               | 11. Center console lid      | 12. Center console bin       |
| 13. Cup holder insert   | A. Bolt                     |                              |

### Disassembly and Assembly

INFOID:000000003303855

#### DISASSEMBLY

1. Remove center console. Refer to [IP-10, "Removal and Installation"](#).
2. Remove center console lid.
3. Remove latch from center console lid.
4. Remove hinge from center console lid.
5. Remove rear finisher assembly.
6. Remove rear cup holder assembly.
7. Remove brackets.
8. Disconnect center console harness connectors.
9. Remove cup holder insert and cup holder finisher.
10. Remove center console bin.
11. Remove center console bracket.
12. Remove wire harness bracket.

# CENTER CONSOLE ASSEMBLY

< DISASSEMBLY AND ASSEMBLY >

---

## ASSEMBLY

Assembly is in the reverse order of disassembly.

A

B

C

D

E

F

G

H

I

**IP**

K

L

M

N

O

P