

ENGINE LUBRICATION SYSTEM

CONTENTS

QR25DE		PRECAUTION	16	F
PRECAUTION	3	PRECAUTIONS	16	G
PRECAUTIONS	3	Precaution for Supplemental Restraint System (SRS) "AIR BAG" and "SEAT BELT PRE-TENSIONER"	16	H
Precaution for Supplemental Restraint System (SRS) "AIR BAG" and "SEAT BELT PRE-TENSIONER"	3	Precaution for Liquid Gasket	16	I
Precaution for Liquid Gasket	3	PREPARATION	18	J
PREPARATION	5	PREPARATION	18	K
PREPARATION	5	Special Service Tool	18	L
Special Service Tool	5	Commercial Service Tool	18	M
FUNCTION DIAGNOSIS	6	FUNCTION DIAGNOSIS	20	N
LUBRICATION SYSTEM	6	LUBRICATION SYSTEM	20	O
Lubrication Circuit	6	Lubrication Circuit	20	P
System Chart	7	System Chart	20	
ON-VEHICLE MAINTENANCE	8	ON-VEHICLE MAINTENANCE	21	
ENGINE OIL	8	ENGINE OIL	21	
Inspection	8	Inspection	21	
Changing Engine Oil	9	Changing Engine Oil	22	
OIL FILTER	11	OIL FILTER	24	
Removal and Installation	11	Removal and Installation	24	
ON-VEHICLE REPAIR	13	ON-VEHICLE REPAIR	25	
OIL COOLER	13	OIL COOLER	25	
Exploded View	13	Exploded View	25	
Removal and Installation	13	Removal and Installation	25	
SERVICE DATA AND SPECIFICATIONS (SDS)	15	OIL PUMP	27	
SERVICE DATA AND SPECIFICATIONS (SDS)	15	Exploded View	27	
Standard and Limit	15	Removal and Installation	27	
VQ40DE		DISASSEMBLY AND ASSEMBLY	28	
		OIL PUMP	28	
		Disassembly and Assembly	28	

SERVICE DATA AND SPECIFICATIONS
(SDS) 30

SERVICE DATA AND SPECIFICATIONS
(SDS) 30
Standard and Limit 30

PRECAUTION

PRECAUTIONS

Precaution for Supplemental Restraint System (SRS) "AIR BAG" and "SEAT BELT PRE-TENSIONER"

INFOID:000000003292683

The Supplemental Restraint System such as "AIR BAG" and "SEAT BELT PRE-TENSIONER", used along with a front seat belt, helps to reduce the risk or severity of injury to the driver and front passenger for certain types of collision. This system includes seat belt switch inputs and dual stage front air bag modules. The SRS system uses the seat belt switches to determine the front air bag deployment, and may only deploy one front air bag, depending on the severity of a collision and whether the front occupants are belted or unbelted. Information necessary to service the system safely is included in the SR and SB section of this Service Manual.

WARNING:

- To avoid rendering the SRS inoperative, which could increase the risk of personal injury or death in the event of a collision which would result in air bag inflation, all maintenance must be performed by an authorized NISSAN/INFINITI dealer.
- Improper maintenance, including incorrect removal and installation of the SRS, can lead to personal injury caused by unintentional activation of the system. For removal of Spiral Cable and Air Bag Module, see the SR section.
- Do not use electrical test equipment on any circuit related to the SRS unless instructed to in this Service Manual. SRS wiring harnesses can be identified by yellow and/or orange harnesses or harness connectors.

Precaution for Liquid Gasket

INFOID:000000003292669

REMOVAL OF LIQUID GASKET SEALING

- After removing nuts and bolts, separate the mating surface and remove old liquid gasket sealing using Tool.

Tool number : KV1011100 (J-37228)

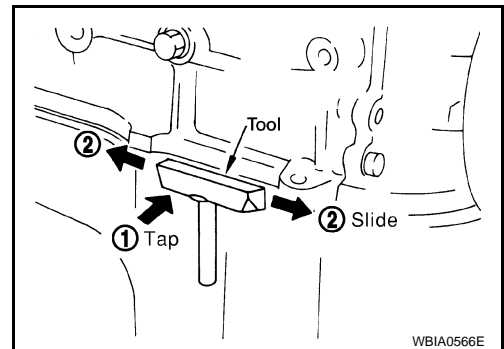
CAUTION:

Be careful not to damage the mating surfaces.

- Tap seal cutter to insert it, and then slide it by tapping on the side as shown.
- In areas where Tool is difficult to use, use plastic hammer to lightly tap the parts, to remove it.

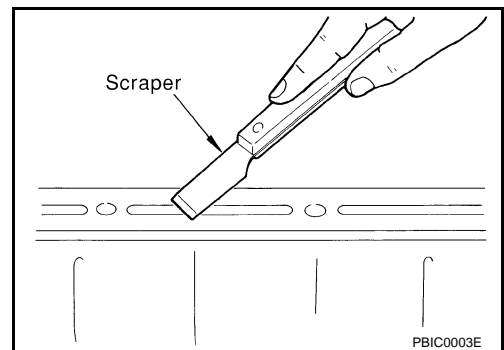
CAUTION:

If for some unavoidable reason tool such as screwdriver is used, be careful not to damage the mating surfaces.



LIQUID GASKET APPLICATION PROCEDURE

1. Using scraper, remove old liquid gasket adhering to the gasket application surface and the mating surface.
 - Remove liquid gasket completely from the groove of the gasket application surface, bolts, and bolt holes.
2. Thoroughly clean the mating surfaces and remove adhering moisture, grease and foreign materials.



A
C
D
E
F
G
H
I
J
K
L
M
N
O
P

LU

PRECAUTIONS

[QR25DE]

< PRECAUTION >

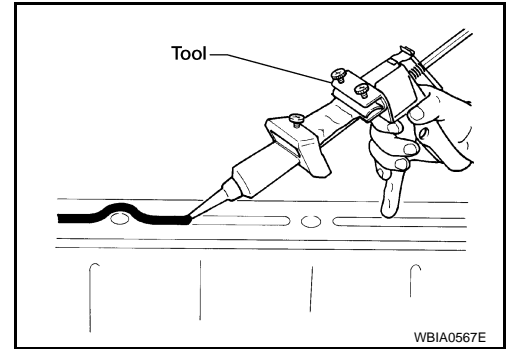
3. Attach liquid gasket tube to Tool.

Tool number : WS39930000 (—)

Use Genuine RTV Silicone Sealant or equivalent. Refer to GI-26, "Recommended Chemical Products and Sealants".

4. Apply liquid gasket without breaks to the specified location with the specified dimensions.

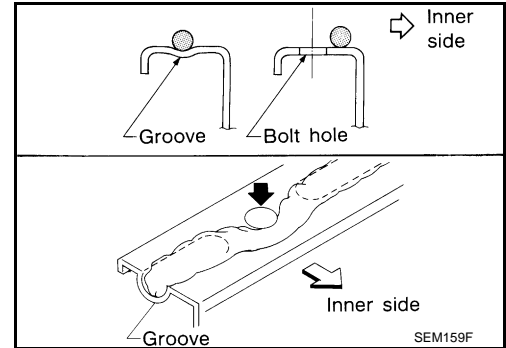
- If there is a groove for liquid gasket application, apply liquid gasket to the groove.



- As for bolt holes, normally apply liquid gasket inside the holes. Occasionally, it should be applied outside the holes. Make sure to read the text of this manual.
- Within five minutes of liquid gasket application, install the mating component.
- If liquid gasket protrudes, wipe it off immediately.
- Do not retighten nuts or bolts after the installation.
- After 30 minutes or more have passed from the installation, fill engine oil and engine coolant.

CAUTION:

If there are specific instructions in this manual, observe them.



PREPARATION

< PREPARATION >

[QR25DE]

PREPARATION

PREPARATION

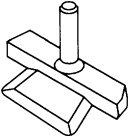
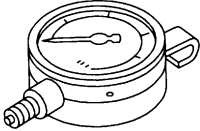
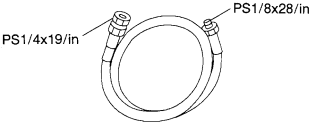
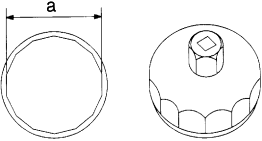
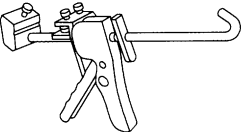
Special Service Tool

INFOID:000000003292670

A

LU

The actual shapes of Kent-Moore tools may differ from those of special service tools illustrated here.

Tool number (Kent-Moore No.) Tool name	Description
KV10111100 (J-37228) Seal cutter  S-NT046	Removing oil pan and front cover, etc.
ST25051001 (J-25695-1) Oil pressure gauge  NT050	Measuring oil pressure Maximum measuring range: 2,452 kPa (25 kg/cm², 356 psi)
ST25052000 (J-25695-2) Hose  S-NT559	Adapting oil pressure gauge to oil pan (upper)
KV10115801 (J-38956) Oil filter wrench  S-NT375	Removing and installing oil filter a: 64.3 mm (2.531 in)
WS39930000 (—) Tube presser  NT052	Pressing the tube of liquid gasket

C

D

E

F

G

H

I

J

K

L

M

N

O

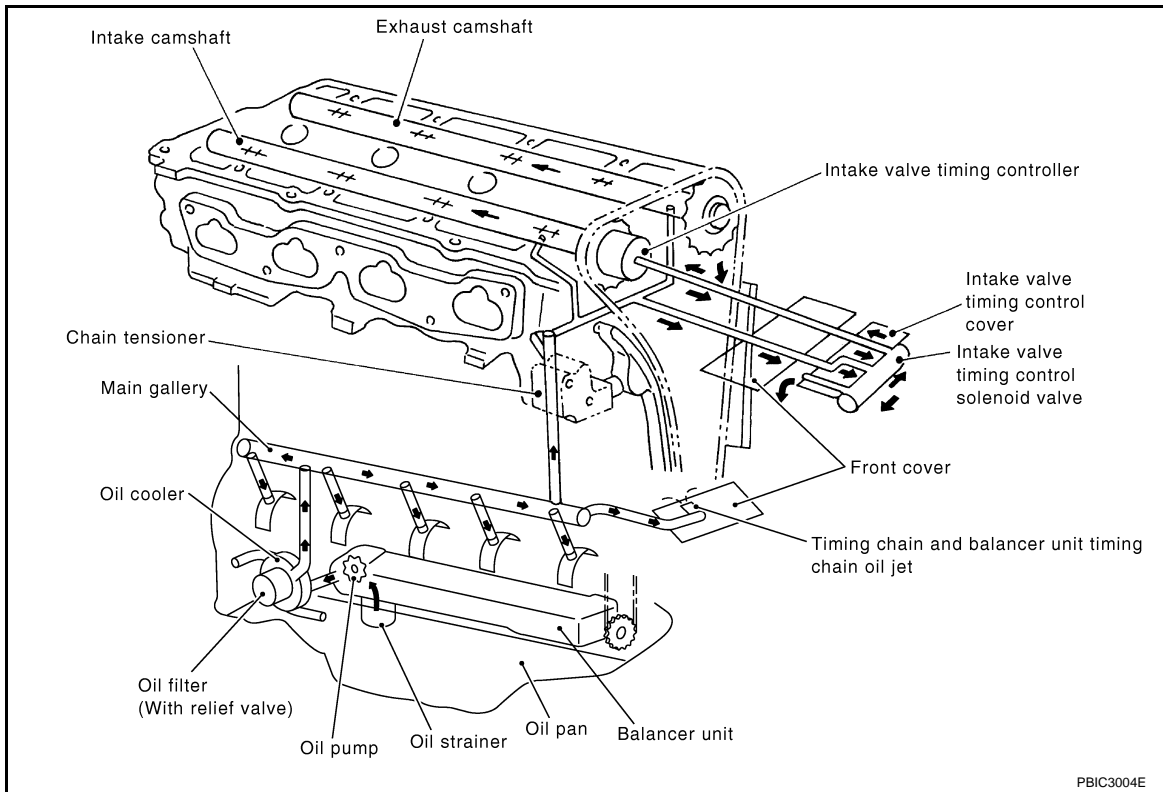
P

FUNCTION DIAGNOSIS

LUBRICATION SYSTEM

Lubrication Circuit

INFOID:000000003292671



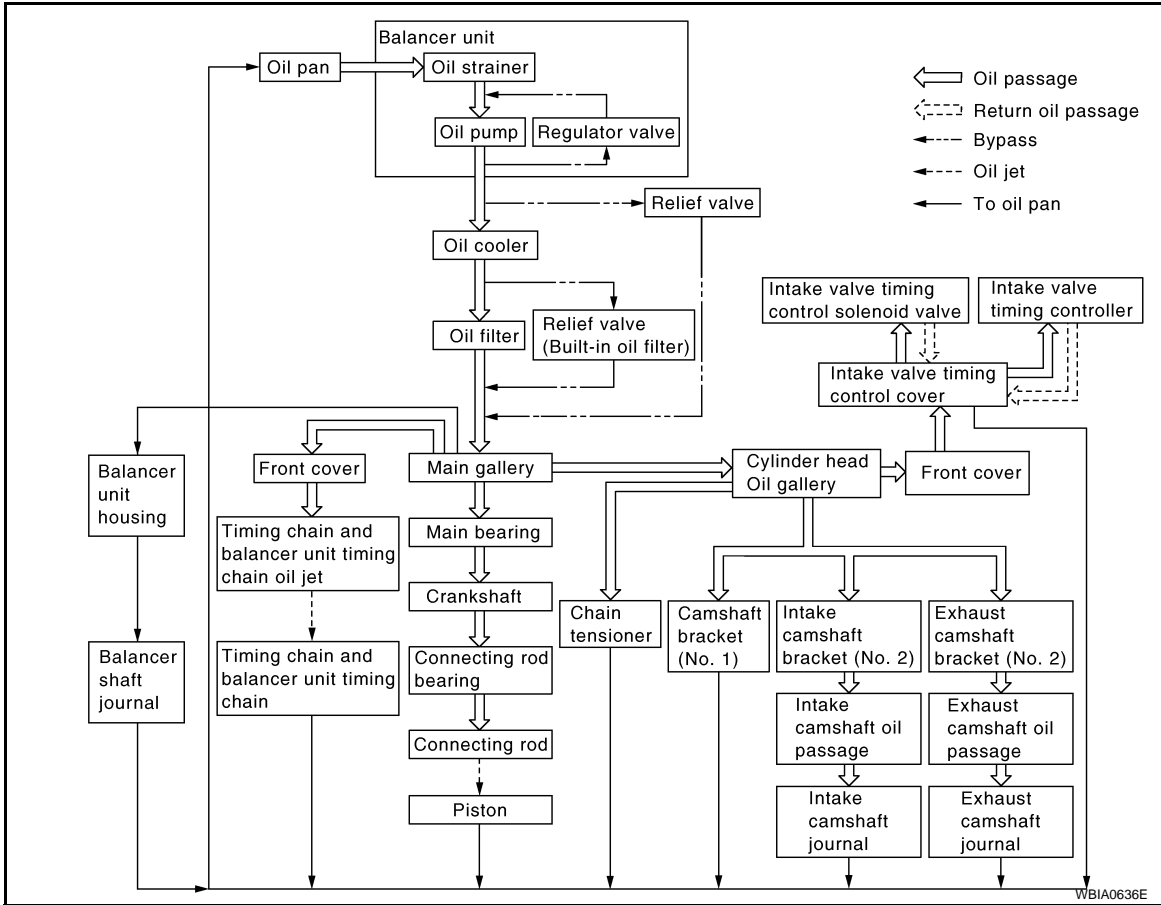
LUBRICATION SYSTEM

< FUNCTION DIAGNOSIS >

[QR25DE]

System Chart

INFOID:000000003292672



A

LU

C

D

E

F

G

H

I

J

K

L

M

N

O

P

ON-VEHICLE MAINTENANCE

ENGINE OIL

Inspection

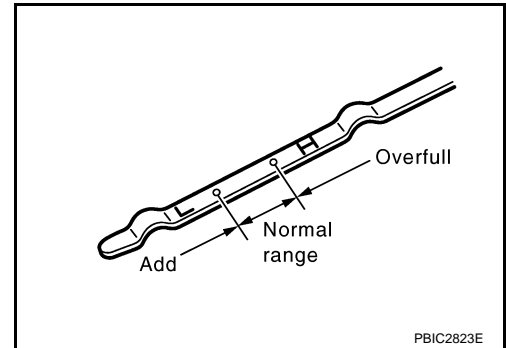
INFOID:000000003292673

ENGINE OIL LEVEL

NOTE:

Before starting the engine, put the vehicle horizontally and check the engine oil level. If the engine is already started, stop it and allow 10 minutes before checking.

1. Pull out oil level gauge and wipe it clean.
2. Insert oil level gauge and make sure the engine oil level is within the range as shown.
3. If it is out of range, adjust it.



PBIC2823E

ENGINE OIL APPEARANCE

- Check engine oil for white milky or excessive contamination.
- If engine oil becomes milky, it is highly probable that it is contaminated with engine coolant. Repair or replace damaged parts.

ENGINE OIL LEAKAGE

Check for engine oil leakage around the following area.

- Oil pan
- Oil pan drain plug
- Oil pressure sensor
- Oil filter
- Oil cooler
- Intake valve timing control cover and intake valve timing control solenoid valve
- Front cover
- Mating surface between cylinder block and lower cylinder block
- Mating surface between cylinder block and cylinder head
- Mating surface between cylinder head and rocker cover
- Crankshaft oil seals (front and rear)

OIL PRESSURE CHECK

WARNING:

- Be careful not to burn yourself, as engine oil may be hot.
- Engine oil pressure check should be in "Parking position" (A/T models) or "Neutral position" (M/T models), and should apply parking brake securely.

1. Check the engine oil level. Refer to [LU-8, "Inspection"](#).
2. Remove engine undercover.
3. Disconnect oil pressure switch harness connector, and remove oil pressure switch using a suitable tool. Refer to [EM-76, "Exploded View"](#).

CAUTION:

Do not drop or shock oil pressure sensor.

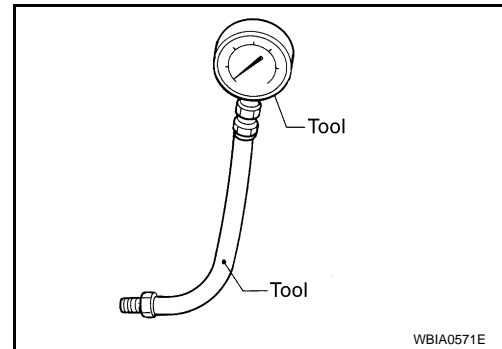
ENGINE OIL

< ON-VEHICLE MAINTENANCE >

[QR25DE]

4. Install Tools.

Tool numbers : ST25051001 (J-25695-1)
 : ST25052000 (J-25695-2)



5. Start the engine and warm it up to normal operating temperature.
6. Check oil pressure with the engine running under no-load.

NOTE:

When engine oil temperature is low, engine oil pressure becomes high.

Engine oil pressure [Engine oil temperature at 80°C (176°F)]

Engine speed rpm	Approximate discharge pressure kPa (kg/cm ² , psi)
Idle speed	More than 98 (1.0, 14)
2,000	More than 294 (3.0, 43)

If difference is extreme, check for oil leakage in oil passages and oil pump (built in balancer unit) malfunction.

CAUTION:

It is impossible to replace or adjust oil pump because oil pump is manufactured with balancer unit. If any malfunction is found on oil pump, replace balancer unit as an assembly.

7. After the inspections, install oil pressure sensor as follows:
 - a. Remove old liquid gasket adhering to oil pressure sensor and the engine.
 - b. Apply liquid gasket and tighten oil pressure sensor to the specification.

Use Genuine RTV Silicone Sealant or equivalent. Refer to [GI-26. "Recommended Chemical Products and Sealants"](#).

Oil pressure sensor torque : 14.8 N·m (1.5 kg·m, 11 ft·lb)

- c. After warming up the engine, make sure there is no leaks of engine oil with running the engine.

Changing Engine Oil

INFOID:000000003292674

WARNING:

- Be careful not to burn yourself, as engine oil may be hot.
- Prolonged and repeated contact with used engine oil may cause skin cancer; try to avoid direct skin contact with used engine oil. If skin contact is made, wash thoroughly with soap or hand cleaner as soon as possible.

1. Warm up the engine, put the vehicle horizontally and check for oil leakage from the engine components. Refer to [LU-8. "Inspection"](#).
2. Stop the engine and wait for 10 minutes.
3. Loosen oil filler cap and then remove drain plug.
4. Drain engine oil.
5. Install drain plug with new washer.

CAUTION:

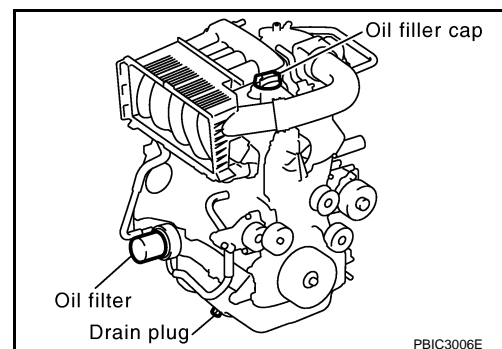
Be sure to clean drain plug and install with new washer.

Oil pan drain plug: : 34.3 N·m (3.5 kg·m, 25 ft·lb)

6. Refill with new engine oil.

Engine oil specification and viscosity:

Refer to [MA-13. "Engine Oil Recommendation"](#).



ENGINE OIL

< ON-VEHICLE MAINTENANCE >

[QR25DE]

Engine oil capacity (Approximate):

Unit: ℓ (US qt, Imp qt)

Drain and refill	With oil filter change	4.9 (5-1/8, 4-3/8)
	Without oil filter change	4.6 (4-7/8, 4)
Dry engine (Overhaul)		5.0 (5 1/4, 4 3/8)

CAUTION:

- The refill capacity depends on the engine oil temperature and drain time. Use these specifications for reference only.
 - Always use oil level gauge to determine the proper amount of engine oil in the engine.
7. Warm up the engine and check area around drain plug and oil filter for oil leakage.
 8. Stop the engine and wait for 10 minutes.
 9. Check the engine oil level. Refer to [LU-8, "Inspection"](#).

OIL FILTER

Removal and Installation

INFOID:000000003292680

REMOVAL

WARNING:

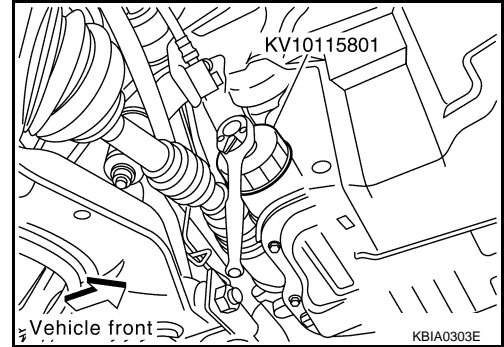
Be careful not to get burned as the engine and engine oil are hot.

CAUTION:

- The oil filter contains an internal relief valve. Use a Genuine NISSAN oil filter.
- When removing the oil filter, position a shop cloth to absorb any engine oil leakage or spillage.
- Do not allow the engine oil to spill on the drive belts.
- Completely wipe off any engine oil that spills on the engine or on the vehicle.

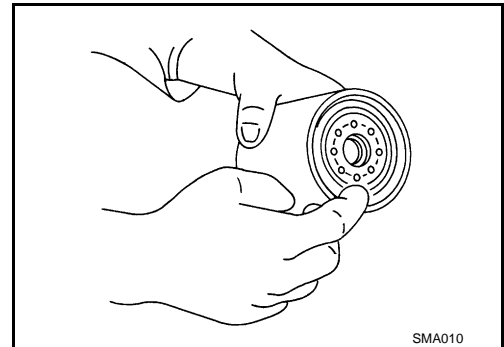
1. Remove the oil filter using Tool as shown.

Tool number : KV10115801 (J-38956)



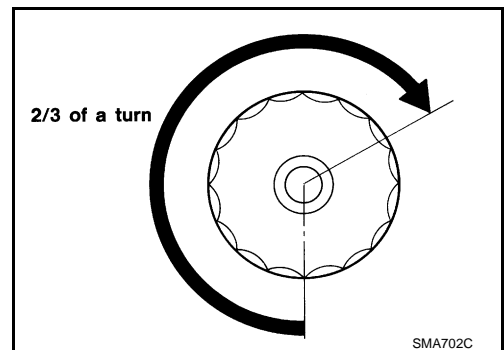
INSTALLATION

1. Remove any foreign materials adhering to the oil filter installation surface.
2. Apply new engine oil to the oil seal contact surface of new oil filter as shown.



3. Screw on the oil filter manually until it touches the installation surface, then tighten it by 2/3 turn as shown. Or tighten to specification.

Oil filter : 17.7 N-m (1.8 kg-m, 13 ft-lb)



INSPECTION AFTER INSTALLATION

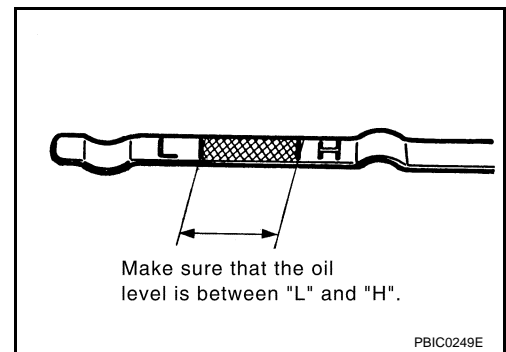
A
LU
C
D
E
F
G
H
I
J
K
L
M
N
O
P

OIL FILTER

< ON-VEHICLE MAINTENANCE >

[QR25DE]

1. Check the engine oil level using the dipstick as shown, adjust the engine oil level as necessary.
2. Start the engine and check for engine oil leaks, correct as necessary.
3. Stop the engine and wait for 10 minutes.
4. Check the engine oil level using the dipstick and adjust the engine oil level as necessary.

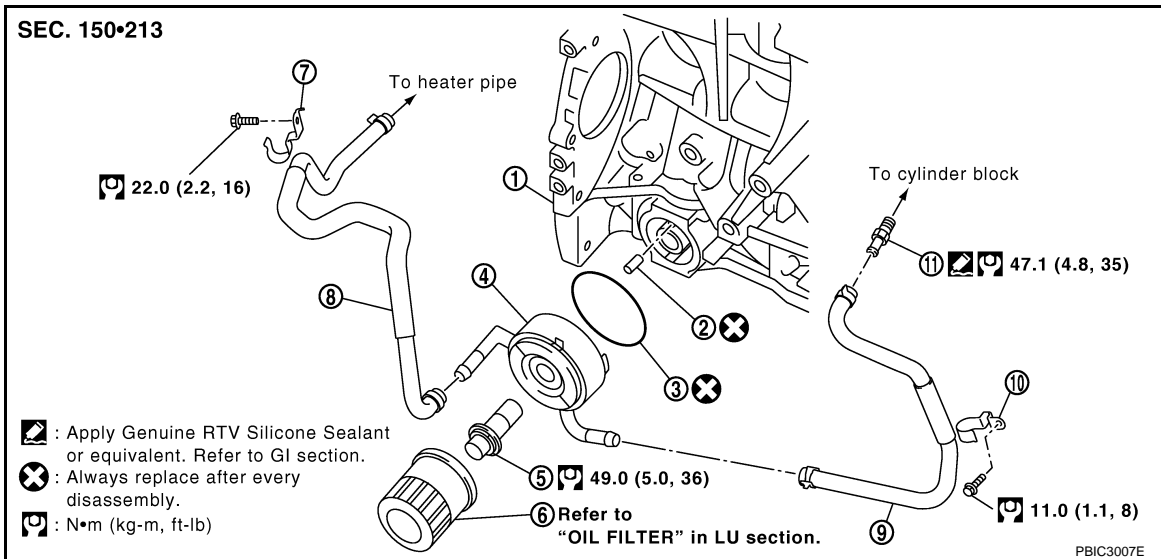


ON-VEHICLE REPAIR

OIL COOLER

Exploded View

INFOID:000000003292703



- | | | |
|-------------------|---------------------|---------------|
| 1. Cylinder block | 2. Relief valve | 3. O-ring |
| 4. Oil cooler | 5. Connector bolt | 6. Oil filter |
| 7. Bracket | 8. Water hose | 9. Water hose |
| 10. Bracket | 11. Water connector | |

Removal and Installation

INFOID:000000003292676

WARNING:

- Be careful not to get burned when engine coolant and engine oil may be hot.

CAUTION:

- When removing oil cooler and oil cooler bracket, prepare a shop cloth to absorb any engine oil leakage or spillage.
- Completely wipe off any engine oil that adhere to the engine and the vehicle.

REMOVAL

1. Drain engine coolant from radiator drain plug at the bottom of radiator and from water drain plug on cylinder block. Refer to [CO-12. "Changing Engine Coolant"](#) and [EM-76. "Exploded View"](#).

NOTE:

Perform this step when removing water hoses.

2. Remove oil filter. Refer to [LU-11. "Removal and Installation"](#).

CAUTION:

Do not spill engine oil on drive belts.

3. Disconnect water hoses from oil cooler.

- When removing oil cooler only, pinching water hoses near oil cooler to prevent engine coolant spilling.

CAUTION:

- Perform this step when engine is cold.
- Do not spill engine coolant on drive belts.

4. Remove connector bolt, and remove oil cooler.

CAUTION:

Do not spill engine oil to rubber parts such as drive belts and engine mounting insulator.

5. Remove water hoses, brackets and water connector, as necessary.

INSPECTION AFTER REMOVAL

Oil Cooler

- Check oil cooler for cracks.

OIL COOLER

[QR25DE]

< ON-VEHICLE REPAIR >

- Check oil cooler for clogging by blowing through engine coolant inlet. If necessary, replace oil cooler.

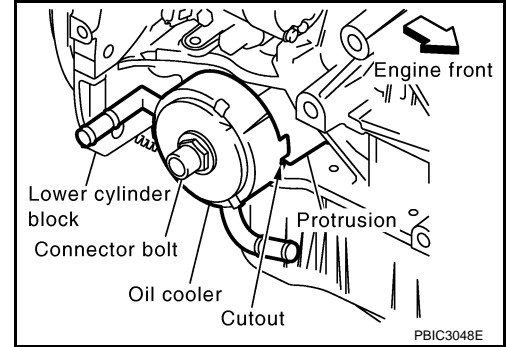
Relief Valve

Check relief valve for movement, cracks and breaks by pushing the ball. If replacement is necessary, remove valve by prying it out with a suitable tool. Install the new valve in place by tapping it.

INSTALLATION

Note the following, and install in the reverse order of removal.

- Make sure that no foreign objects are adhering to the installation planes of oil cooler and lower cylinder block.
- Align cutout on oil cooler with protrusion on lower cylinder block side, and tighten connector bolt.



INSPECTION AFTER INSTALLATION

1. Check the engine oil level and the engine coolant level, and adjust the levels. Refer to [LU-8. "Inspection"](#) and [CO-12. "Changing Engine Coolant"](#).
2. Start the engine, and make sure there is no leaks of engine oil or engine coolant.
3. Stop the engine and wait for 10 minutes.
4. Check the engine oil level and the engine coolant level again. Refer to [LU-8. "Inspection"](#) and [CO-12. "Changing Engine Coolant"](#).

SERVICE DATA AND SPECIFICATIONS (SDS)

< SERVICE DATA AND SPECIFICATIONS (SDS)

[QR25DE]

SERVICE DATA AND SPECIFICATIONS (SDS)

SERVICE DATA AND SPECIFICATIONS (SDS)

Standard and Limit

INFOID:000000003292677

A

LU

OIL PRESSURE

Engine speed rpm	Approximate discharge pressure* kPa (kg/cm ² , psi)
Idle speed	More than 98 (1.0, 14)
2,000	More than 294 (3.0, 43)

C

D

*: Engine oil temperature at 80° (176°F)

ENGINE OIL CAPACITY (APPROXIMATE)

Unit: ℓ (US qt, Imp qt)

Drain and refill	With oil filter change	4.9 (5-1/8, 4-3/8)
	Without oil filter change	4.6 (4-7/8, 4)
Dry engine (Overhaul)		5.0 (5 1/4, 4 3/8)

E

F

G

H

I

J

K

L

M

N

O

P

PRECAUTION

PRECAUTIONS

Precaution for Supplemental Restraint System (SRS) "AIR BAG" and "SEAT BELT PRE-TENSIONER"

INFOID:000000003220287

The Supplemental Restraint System such as "AIR BAG" and "SEAT BELT PRE-TENSIONER", used along with a front seat belt, helps to reduce the risk or severity of injury to the driver and front passenger for certain types of collision. This system includes seat belt switch inputs and dual stage front air bag modules. The SRS system uses the seat belt switches to determine the front air bag deployment, and may only deploy one front air bag, depending on the severity of a collision and whether the front occupants are belted or unbelted. Information necessary to service the system safely is included in the SR and SB section of this Service Manual.

WARNING:

- To avoid rendering the SRS inoperative, which could increase the risk of personal injury or death in the event of a collision which would result in air bag inflation, all maintenance must be performed by an authorized NISSAN/INFINITI dealer.
- Improper maintenance, including incorrect removal and installation of the SRS, can lead to personal injury caused by unintentional activation of the system. For removal of Spiral Cable and Air Bag Module, see the SR section.
- Do not use electrical test equipment on any circuit related to the SRS unless instructed to in this Service Manual. SRS wiring harnesses can be identified by yellow and/or orange harnesses or harness connectors.

Precaution for Liquid Gasket

INFOID:000000003220288

REMOVAL OF LIQUID GASKET SEALING

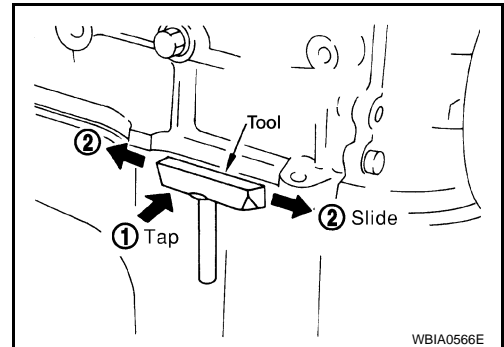
- After removing the bolts and nuts, separate the mating surface and remove the old liquid gasket sealing using Tool.

Tool number : KV10111100 (J-37228)

CAUTION:

Do not damage the mating surfaces.

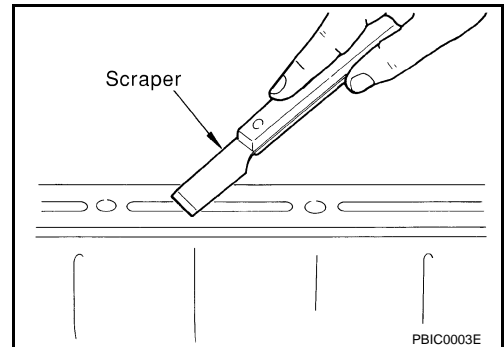
- Tap (1) the Tool to insert it.
- In areas where the Tool is difficult to use, lightly tap to slide (2) it.



WBIA0566E

LIQUID GASKET APPLICATION PROCEDURE

1. Remove the old liquid gasket adhering to the gasket application surface and the mating surface using suitable tool.
 - Remove the liquid gasket completely from the groove of the liquid gasket application surface, bolts, and bolt holes.
2. Thoroughly clean the mating surfaces and remove adhering moisture, grease and foreign material.



PBIC0003E

PRECAUTIONS

[VQ40DE]

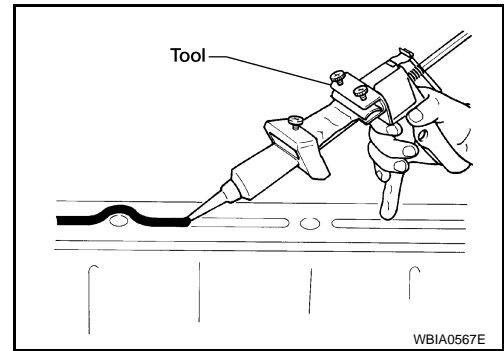
< PRECAUTION >

3. Attach the liquid gasket tube to the Tool.

Tool number : WS39930000 (—)

Use Genuine RTV Silicone Sealant or equivalent. Refer to [GI-26, "Recommended Chemical Products and Sealants"](#).

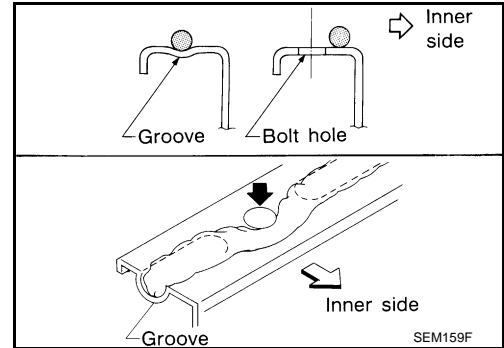
4. Apply the liquid gasket without breaks to the specified location with the specified dimensions.



- If there is a groove for the liquid gasket application, apply the liquid gasket to the groove.
- As for the bolt holes, normally apply the liquid gasket inside the holes. If specified in the procedure, it should also be applied outside the holes.
- Within five minutes of liquid gasket application, install the mating component.
- If the liquid gasket protrudes, wipe it off immediately.
- Do not retighten after the installation.
- Wait 30 minutes or more after installation before refilling the engine with engine oil and engine coolant.

CAUTION:

If there are specific instructions in this manual, observe them.



A
LU
C
D
E
F
G
H
I
J
K
L
M
N
O
P

PREPARATION

< PREPARATION >

[VQ40DE]

PREPARATION

PREPARATION

Special Service Tool

INFOID:000000003220289

The actual shapes of Kent-Moore tools may differ from those of special service tools illustrated here.

Tool number (Kent-Moore No.) Tool name	Description
ST25051001 (J-25695-1) Oil pressure gauge	Measuring oil pressure Maximum measuring range: 2,452 kPa (25 kg/cm², 356 psi)
ST25052000 (J-25695-2) Hose	Adapting oil pressure gauge to cylinder block
KV10111100 (J-37228) Seal cutter	Removing steel oil pan and rear timing chain case
KV10115801 (J-38956) Oil filter wrench	Removing and installing oil filter a: 64.3 mm (2.531 in)
WS39930000 (—) Tube presser	Pressing the tube of liquid gasket

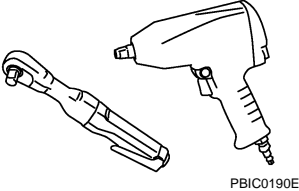
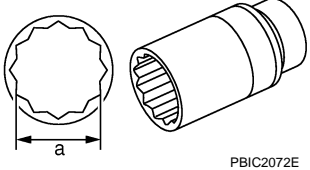
Commercial Service Tool

INFOID:000000003220290

PREPARATION

< PREPARATION >

[VQ40DE]

Tool name	Description
<p>Power tool</p>  <p>PBIC0190E</p>	<p>Loosening nuts and bolts</p>
<p>Deep socket</p>  <p>PBIC2072E</p>	<p>Removing and installing oil pressure sensor a: 24 mm (0.94 in)</p>

A

LU

C

D

E

F

G

H

I

J

K

L

M

N

O

P

LUBRICATION SYSTEM

< FUNCTION DIAGNOSIS >

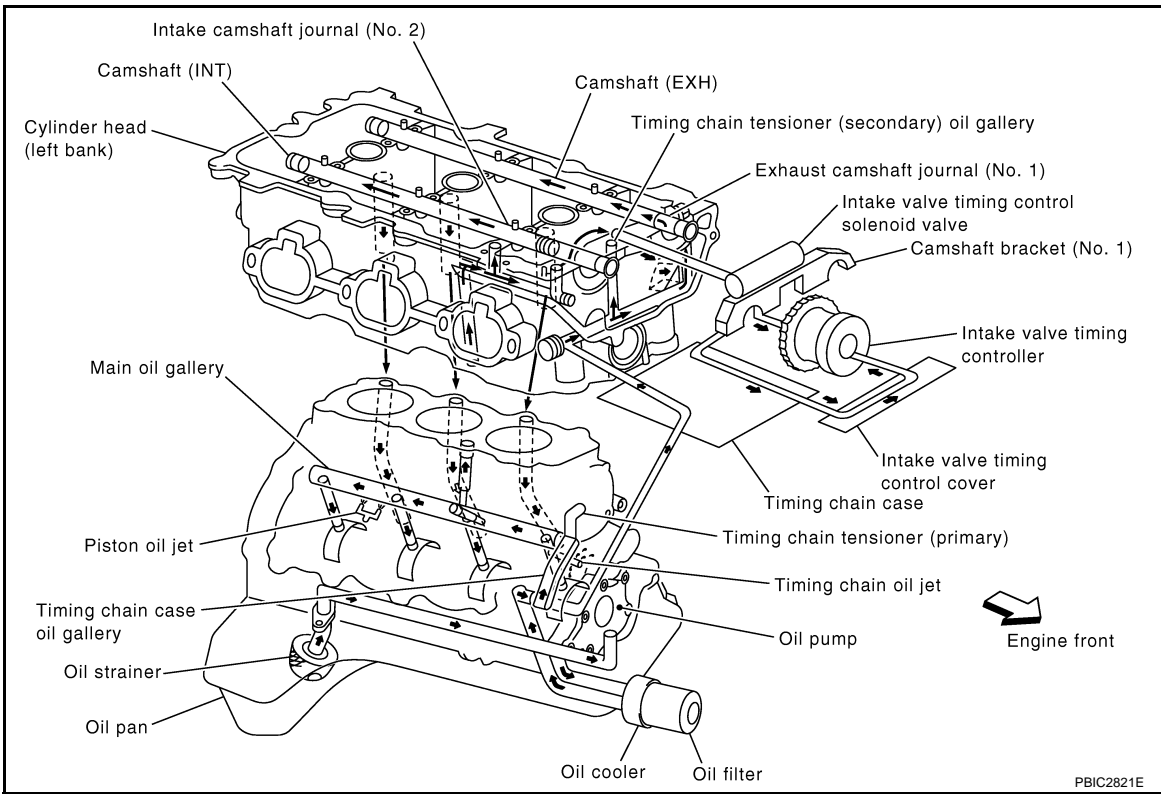
[VQ40DE]

FUNCTION DIAGNOSIS

LUBRICATION SYSTEM

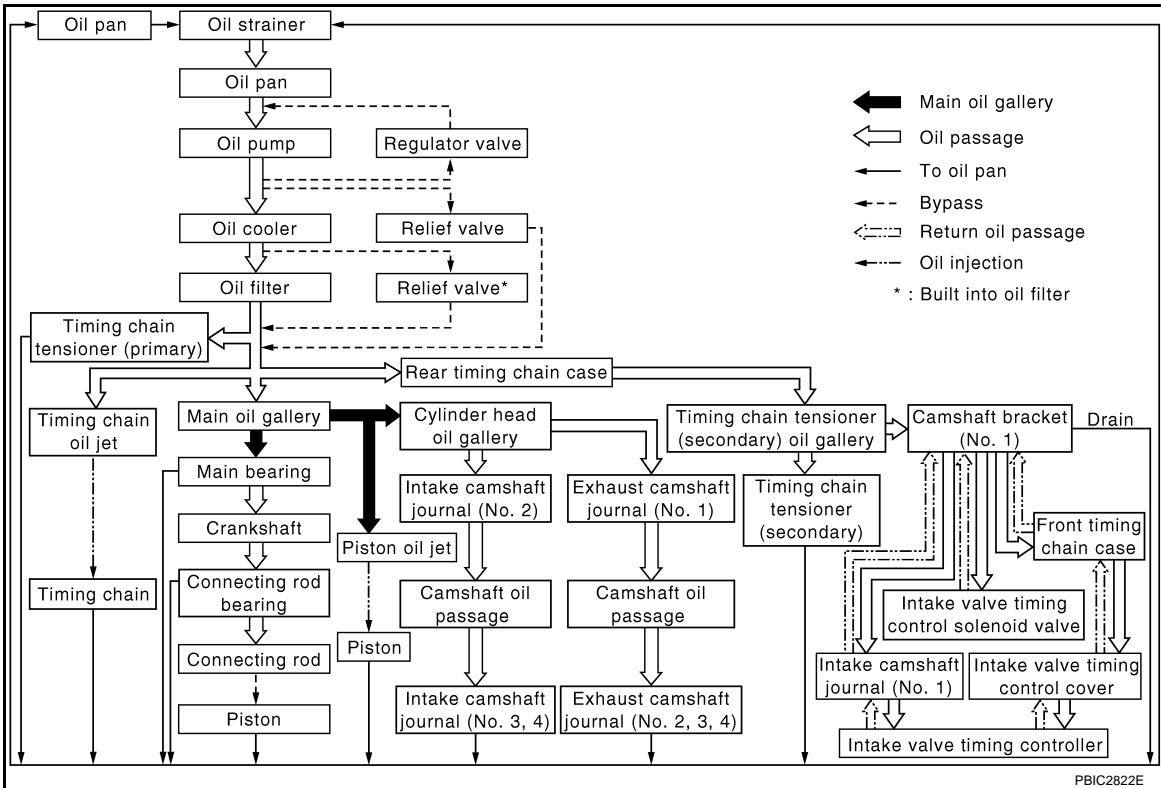
Lubrication Circuit

INFOID:000000003220291



System Chart

INFOID:000000003220292



ON-VEHICLE MAINTENANCE

ENGINE OIL

Inspection

INFOID:000000003220293

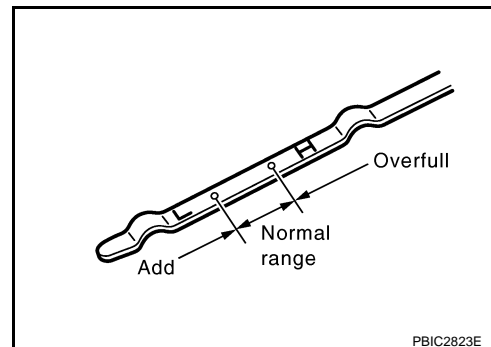
LU

OIL LEVEL

- Before starting the engine make sure the vehicle is parked on a flat and level surface, then check the oil level. If the engine is already running, turn it off and allow 10 minutes before checking.
- Pull out oil level gauge and wipe clean.
- Insert oil level gauge.
- Check that the oil level is within the low (L) and high (H) range as indicated on the dipstick.
- If the engine oil level is out of range, add oil as necessary. Refer to [MA-12, "Fluids and Lubricants"](#).

CAUTION:

Do not overfill the engine with oil.



OIL APPEARANCE

- Check the engine oil for a white milky appearance or excessive contamination.
- If the engine oil is milky, it is highly probable that it is contaminated with engine coolant. Repair or replace damaged parts.

OIL LEAKAGE

Check for oil leakage around the following areas:

- Oil pans (lower and upper)
- Oil pan drain plug
- Oil pressure switch
- Oil filter
- Oil cooler
- Water pump cover
- Chain tensioner cover
- Intake valve timing control cover and intake valve timing control solenoid valve
- Mating surface between cylinder block and cylinder head
- Mating surface between lower cylinder block and cylinder block
- Mating surface between cylinder head and rocker cover
- Mating surface between front timing chain case and rear timing chain case
- Mating surface between rear timing chain case and cylinder head
- Mating surface between rear timing chain case and cylinder block
- Mating surface between rear timing chain case and lower cylinder block
- Mating surface between rear timing chain case and oil pan (upper)
- Crankshaft oil seals (front and rear)
- Oil level gauge guide
- Camshaft position sensor (PHASE)

OIL PRESSURE CHECK

WARNING:

- **Be careful not to burn yourself, as the engine and engine oil may be hot.**
 - **Put the selector lever in the Park "P" position.**
1. Check engine oil level. Refer to [LU-21, "Inspection"](#).
 2. Remove engine undercover using power tool.

ENGINE OIL

< ON-VEHICLE MAINTENANCE >

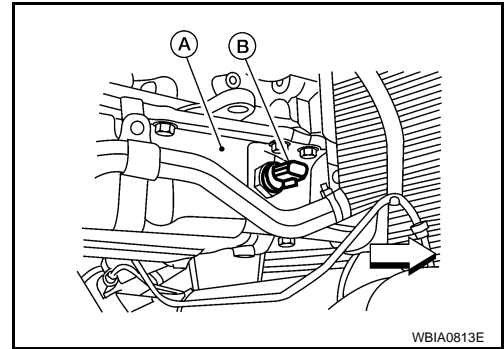
[VQ40DE]

3. Disconnect harness connector at oil pressure switch (B), and remove oil pressure switch (B).

CAUTION:

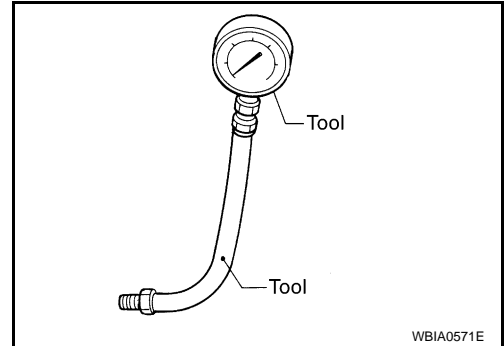
Do not drop or shock oil pressure switch.

- A: Oil pan (upper)
- ⇒: Front



4. Install Tools.

Tool numbers : ST25051001 (J-25695-1)
: ST25052000 (J-25695-2)



5. Start the engine and warm it up to normal operating temperature.
6. Check the engine oil pressure with engine running under no-load.

Engine oil pressure [Engine oil temperature at 80°C (176°F)]

Unit: kPa (kg/cm², psi)

Engine Speed	Approximate Discharge Pressure
Idle speed	More than 98 (1.0, 14)
2,000	More than 294 (3.0, 43)

CAUTION:

If the difference is extreme, check the oil passages and oil pump for leaks and blockages.

7. After the inspections, install oil pressure switch as follows:
 - a. Remove old liquid gasket adhering to oil pressure switch and engine.
 - b. Apply liquid gasket and tighten oil pressure switch to the specification.
Use Genuine RTV Silicone Sealant or equivalent. Refer to [GI-26, "Recommended Chemical Products and Sealants"](#).

Oil pressure switch torque : 14.7 N·m (1.5 kg-m, 11 ft-lb)

- c. After warming up engine, make sure there is no leakage of engine oil with running engine.

Changing Engine Oil

INFOID:000000003220294

WARNING:

- **Be careful not to burn yourself, as the engine and engine oil may be hot.**
 - **Prolonged and repeated contact with used engine oil may cause skin cancer; try to avoid direct skin contact with used oil. If skin contact is made, wash thoroughly with soap or hand cleaner as soon as possible.**
1. Warm up the engine, and check for any oil leaks.
 2. Stop the engine and wait for at least 10 minutes.
 3. Remove the oil drain plug and oil filler cap to drain the old oil.
 4. Install a new washer on the oil drain plug, then install the oil drain plug in the oil pan.

Oil drain plug : Refer to [EM-146, "Removal and Installation"](#).

CAUTION:

Clean the drain plug and install with a new washer.

5. Refill the engine with new specified engine oil.

Oil grade and viscosity : Refer to [MA-12, "Fluids and Lubricants"](#).

Oil capacity : Refer to [MA-12, "Fluids and Lubricants"](#).

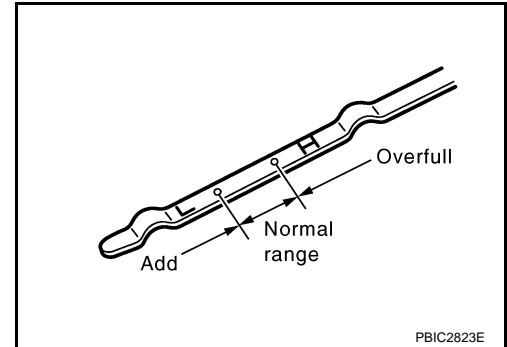
CAUTION:

The refill capacity depends on the oil temperature and drain time. Use the "Refill oil capacity" values as a reference and check the oil level using the dipstick when filling the engine with oil.

6. Warm up the engine and check the area around the drain plug and oil filter for any oil leaks.
7. Stop the engine and wait for more than 10 minutes.
8. Check the oil level using the dipstick as shown. Add oil as necessary and install the oil filler cap. Refer to [LU-21, "Inspection"](#).

CAUTION:

Do not overfill the engine with oil.



A
C
D
E
F
G
H
I
J
K
L
M
N
O
P

LU

OIL FILTER

Removal and Installation

INFOID:000000003220295

REMOVAL

1. Remove the engine undercover using power tool.
2. Remove the oil filter using Tool as shown.

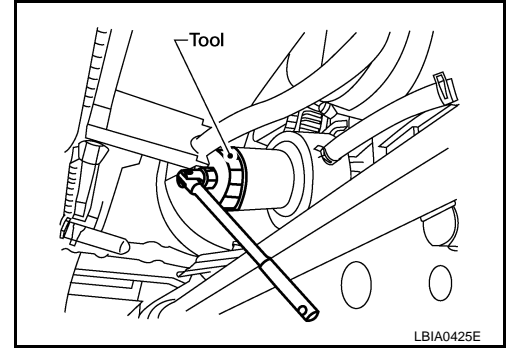
Tool number : KV10115801 (J-38956)

WARNING:

Be careful not to burn yourself, as the engine and engine oil may be hot.

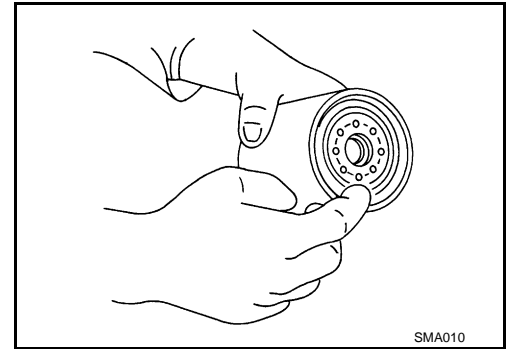
CAUTION:

- Oil filter is equipped with a pressure relief valve.
- Use Genuine NISSAN Oil Filter or equivalent.
- When removing, prepare a shop cloth to absorb any engine oil leaks or spills.
- Do not allow engine oil to adhere to drive belts.
- Completely wipe off any engine oil that adheres to the engine and the vehicle.



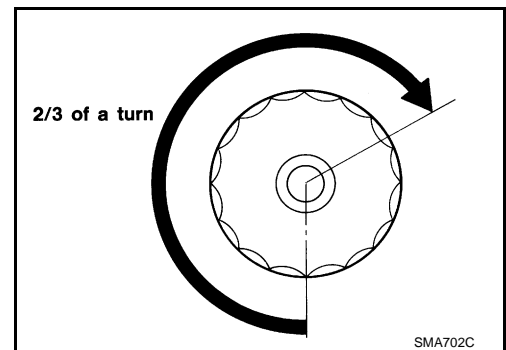
INSTALLATION

1. Remove foreign materials adhering to the oil filter seal mating surface.
2. Apply clean engine oil to the oil filter seal circumference of the new oil filter as shown.



3. Screw on the oil filter manually until it touches the installation surface, then tighten it by 2/3 turn as shown. Or tighten to specification.

Oil filter : 17.7 N-m (1.8 kg-m, 13 ft-lb)



4. Inspect the engine for oil leaks. Refer to [LU-24, "Removal and Installation"](#).
5. Install the engine undercover using power tool.

INSPECTION AFTER INSTALLATION

1. Check the engine oil level. Refer to [LU-21, "Inspection"](#).
2. Start the engine and check for engine oil leaks.
3. Stop the engine and wait for 10 minutes.
4. Check the engine oil level and adjust the engine oil level as required.

ON-VEHICLE REPAIR

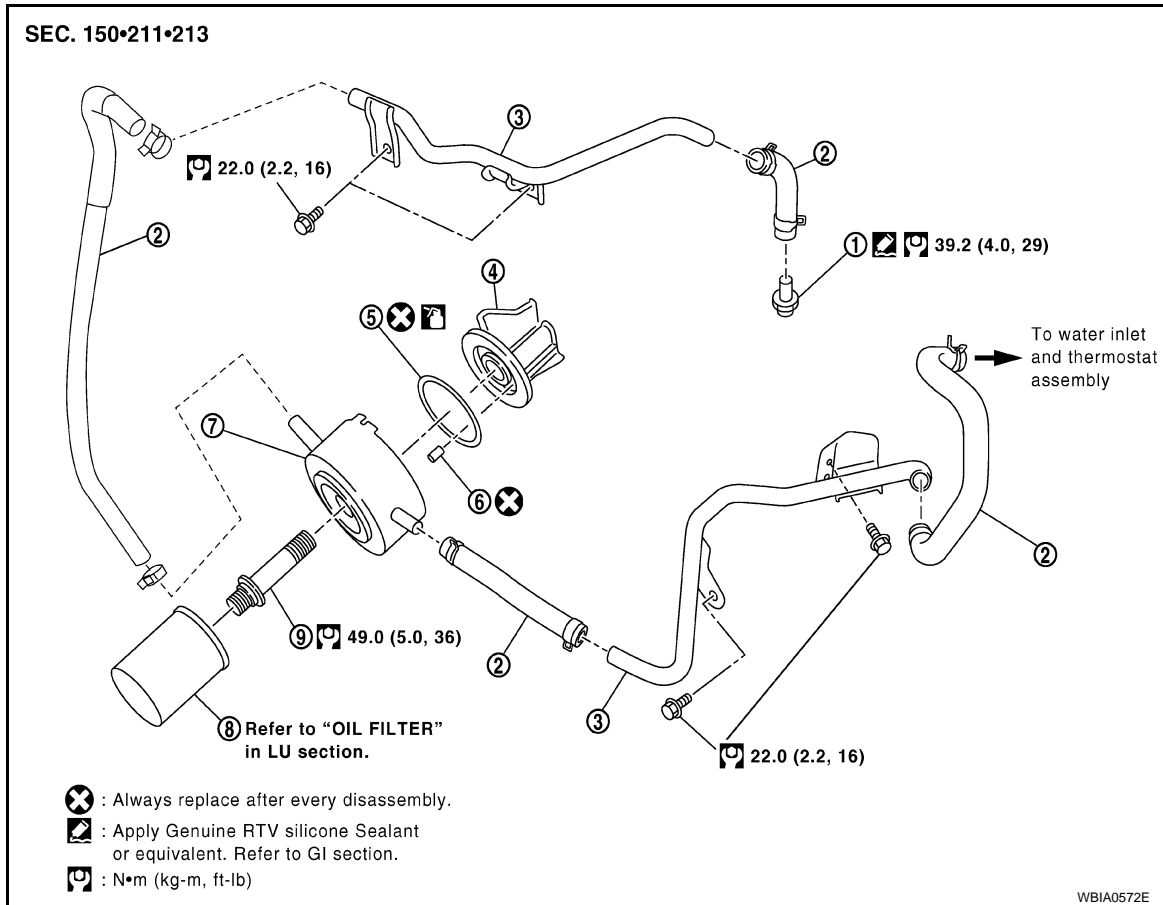
OIL COOLER

Exploded View

INFOID:000000003220296

A

LU



C

D

E

F

G

H

I

J

K

- | | | |
|-------------------------------|---------------|-------------------|
| 1. Water connector | 2. Water hose | 3. Water pipe |
| 4. Oil pan (upper) front side | 5. O-ring | 6. Relief valve |
| 7. Oil cooler | 8. Oil filter | 9. Connector bolt |

Removal and Installation

INFOID:000000003220297

WARNING:

Be careful not to burn yourself, as the engine oil and engine coolant may be hot.

CAUTION:

- Do not spill engine coolant on the drive belt.
- Do not spill engine oil on rubber parts such as drive belts and engine mounting insulator.

REMOVAL

NOTE:

When removing oil cooler only, step 1 is unnecessary.

1. Drain engine coolant from radiator and cylinder block. Refer to [CO-39, "Changing Engine Coolant"](#) and [EM-219, "Disassembly and Assembly"](#).

NOTE:

Perform this step only when removing water pipes and hoses.

2. Disconnect water hoses from oil cooler, pinching hoses near oil cooler to prevent engine coolant from spilling.

CAUTION:

Perform this step when engine is cold.

L

M

N

O

P

OIL COOLER

[VQ40DE]

< ON-VEHICLE REPAIR >

3. Remove oil filter. Refer to [LU-24, "Removal and Installation"](#).
4. Remove connector bolt, and remove oil cooler.

INSPECTION AFTER REMOVAL

Oil Cooler

Check oil cooler for cracks. Check oil cooler for clogging by blowing compressed air through engine coolant inlet. If necessary, replace oil cooler assembly.

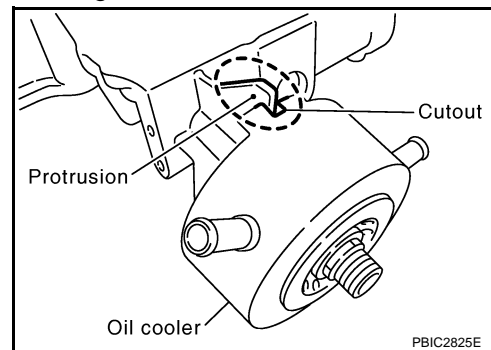
Relief Valve

Check relief valve for movement, cracks and breaks by pushing the ball. If replacement is necessary, remove relief valve by prying it out using a suitable tool. Install a new relief valve in place by tapping it in.

INSTALLATION

Installation is in the reverse order of removal, paying attention to the following.

- Confirm that no foreign objects are adhering to the sealing surfaces of the oil cooler and oil pan (upper).
- Tighten connector bolt after aligning cutout on oil cooler with protrusion on oil pan (upper) side.



INSPECTION AFTER INSTALLATION

1. Check engine oil and engine coolant levels and add engine oil and engine coolant. Refer to [LU-21, "Inspection"](#) and [CO-38, "System Inspection"](#).
2. Start the engine, and check for leaks of engine oil or engine coolant.
3. Stop engine and wait for 10 minutes.
4. Check the engine oil level and the engine coolant level again. Refer to [LU-21, "Inspection"](#) and [CO-38, "System Inspection"](#).

OIL PUMP

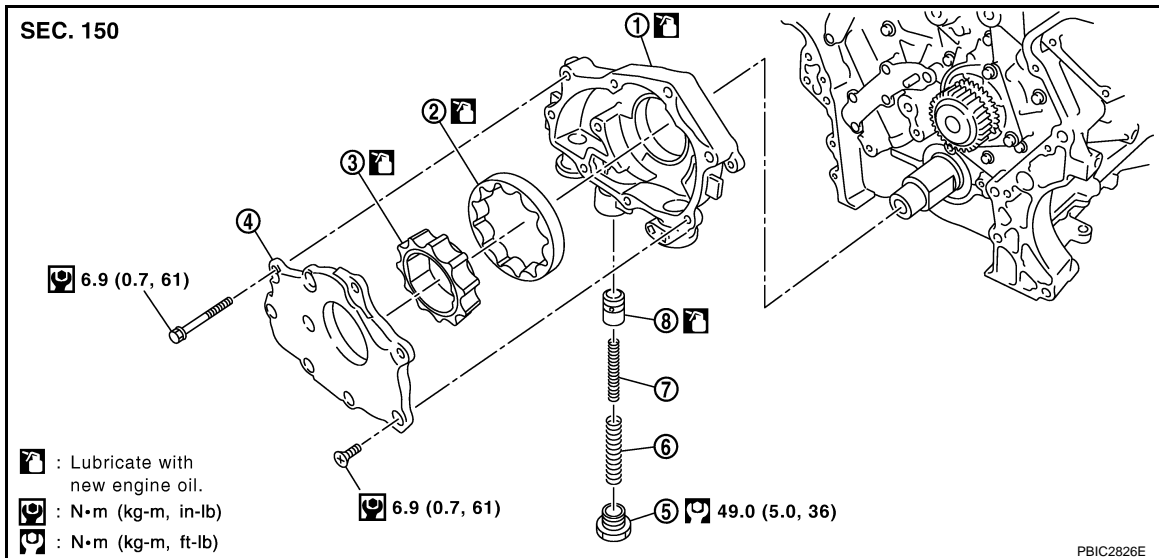
< ON-VEHICLE REPAIR >

[VQ40DE]

OIL PUMP

Exploded View

INFOID:000000003220298



- | | | |
|---------------------------|-------------------------|---------------------------|
| 1. Oil pump body | 2. Oil pump outer rotor | 3. Oil pump inner rotor |
| 4. Oil pump cover | 5. Regulator valve plug | 6. Regulator valve spring |
| 7. Regulator valve spring | 8. Regulator valve | |

Removal and Installation

INFOID:000000003220299

REMOVAL

1. Remove oil pans (lower and upper). Refer to [EM-146, "Removal and Installation"](#).
2. Remove front timing chain case and timing chain (primary). Refer to [EM-173, "Removal and Installation"](#).
3. Remove the oil pump assembly.

INSTALLATION

Installation is in the reverse order of removal, paying attention to the following.

- When installing, align crankshaft flat faces with inner rotor flat faces.

INSPECTION AFTER INSTALLATION

1. Check the engine oil level. Refer to [LU-21, "Inspection"](#).
2. Start the engine and check for engine oil leaks.
3. Stop engine and wait for 10 minutes.
4. Check the engine oil level and adjust engine oil level as required. Refer to [LU-21, "Inspection"](#).

DISASSEMBLY AND ASSEMBLY

OIL PUMP

Disassembly and Assembly

INFOID:000000003220300

DISASSEMBLY

1. Remove oil pump cover.
2. Remove inner rotor and outer rotor from oil pump body.
3. Remove the regulator valve plug, regulator valve spring and regulator valve.

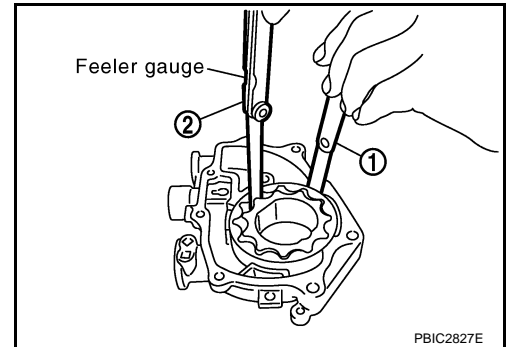
INSPECTION AFTER DISASSEMBLY

Clearance of Oil Pump Parts

- Measure radial clearance using a suitable tool.

Body to outer rotor (position 1)
: 0.120 - 0.195 mm (0.0047 - 0.0077 in)

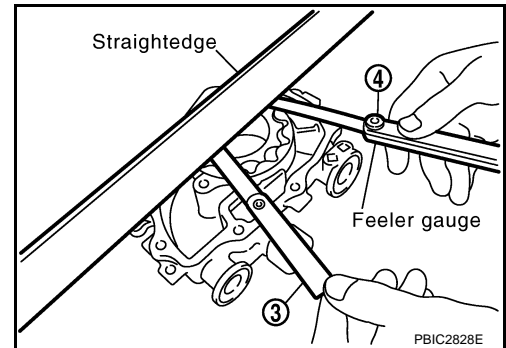
Inner rotor to outer rotor tip (position 2)
: 0.060 - 0.160 mm (0.0024 - 0.0063 in)



- Measure side clearance using suitable tools.

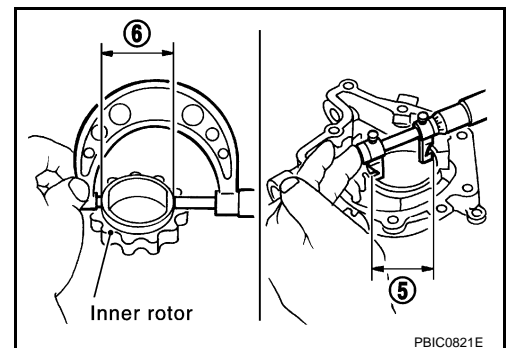
Body to inner rotor (position 3)
: 0.030 - 0.070 mm (0.0012 - 0.0028 in)

Body to outer rotor (position 4)
: 0.050 - 0.090 mm (0.0020 - 0.0035 in)



- Calculate the clearance between inner rotor and oil pump body as follows.

1. Measure the inner diameter of oil pump body to brazed portion (position 5) using suitable tool.
2. Measure the outer diameter of protruded portion of inner rotor (position 6) using suitable tool.



3. Calculate the clearance using the following formula.
 - (Clearance) = (Inner diameter of oil pump body) - (Outer diameter of inner rotor)

Inner rotor to brazed portion of housing clearance
: 0.045 - 0.091 mm (0.0018 - 0.0036 in)

Regulator Valve Clearance

OIL PUMP

< DISASSEMBLY AND ASSEMBLY >

[VQ40DE]

Check regulator valve to oil pump cover clearance using the following formula.

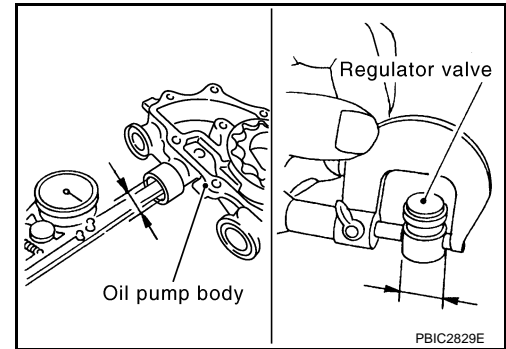
- (Clearance) = D1 (Valve hole diameter) - D2 (Outer Diameter of valve)

Regulator valve to oil pump cover

: 0.025 - 0.070 mm (0.0010 - 0.0028 in)

CAUTION:

- Coat regulator valve with engine oil.
- Check that it falls smoothly into the regulator valve hole by its own weight.

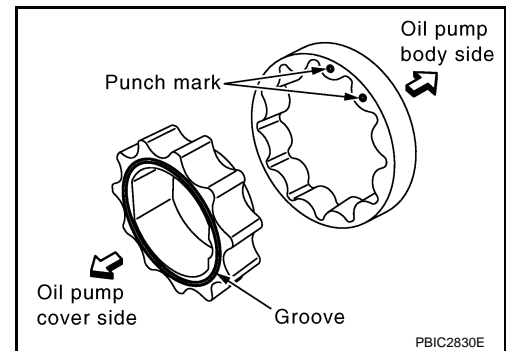


ASSEMBLY

Installation is in the reverse order of removal.

NOTE:

Install oil pump inner rotor with the groove faced and oil pump outer rotor with the punch mark to oil pump cover side.



A

LU

C

D

E

F

G

H

I

J

K

L

M

N

O

P

SERVICE DATA AND SPECIFICATIONS (SDS)

< SERVICE DATA AND SPECIFICATIONS (SDS)

[VQ40DE]

SERVICE DATA AND SPECIFICATIONS (SDS)

SERVICE DATA AND SPECIFICATIONS (SDS)

Standard and Limit

INFOID:000000003220301

OIL PRESSURE

Unit: kPa (kg/cm², psi)

Engine speed rpm	Approximate discharge pressure*
Idle speed	More than 98 (1.0, 14)
2,000	More than 294 (3.0, 43)

*: Engine oil temperature at 80°C (176°F)

OIL PUMP

Unit: mm (in)

Body to outer rotor	0.120 - 0.195 (0.0047 - 0.0077)
Inner rotor to outer rotor tip	0.060 - 0.160 (0.0024 - 0.0063)
Body to inner rotor	0.030 - 0.070 (0.0012 - 0.0028)
Body to outer rotor	0.050 - 0.090 (0.0020 - 0.0035)
Inner rotor to brazed portion of housing	0.045 - 0.091 (0.0018 - 0.0036)

REGULATOR VALVE

Unit: mm (in)

Regulator valve to oil pump cover	0.025 - 0.070 (0.0010 - 0.0028)
-----------------------------------	---------------------------------

ENGINE OIL CAPACITY (APPROXIMATE)

Unit: ℓ (US qt, Imp qt)

Drain and refill	With oil filter change	5.1 (5-3/8, 4-1/2)
	Without oil filter change	4.8 (5-1/8, 4-1/4)
Dry engine (Overhaul)		6.3 (6-5/8, 5-1/2)