

SECTION VTL
VENTILATION SYSTEM

A
B
C
D
E
F
G
H
VTL
J
K
L
M
N
O
P

CONTENTS

PRECAUTION	2	BLOWER MOTOR	9
PRECAUTIONS	2	Component	9
Precaution for Supplemental Restraint System (SRS) "AIR BAG" and "SEAT BELT PRE-TENSIONER"	2	Removal and Installation	9
Precaution for Working with HFC-134a (R-134a).....	2	FRONT BLOWER MOTOR RESISTOR	10
Precaution for Procedure without Cowl Top Cover.....	3	Removal and Installation	10
PREPARATION	4	HEATER & COOLING UNIT ASSEMBLY	11
PREPARATION	4	Component	11
Commercial Service Tool	4	Removal and Installation	11
FUNCTION DIAGNOSIS	5	EVAPORATOR	13
IN-CABIN MICROFILTER	5	Removal and Installation	13
Description	5	HEATER CORE	15
ON-VEHICLE MAINTENANCE	6	Component	15
IN-CABIN MICROFILTER	6	Removal and Installation	15
Removal and Installation	6	INTAKE DOOR MOTOR	16
ON-VEHICLE REPAIR	7	Removal and Installation	16
CONTROL UNIT	7	MODE DOOR MOTOR	17
Removal and Installation	7	Removal and Installation	17
INTAKE SENSOR	8	AIR MIX DOOR MOTOR	18
Removal and Installation	8	Component	18
		Removal and Installation	18
		DUCTS AND GRILLES	19
		Component	19
		Removal and Installation	20

PRECAUTIONS

< PRECAUTION >

PRECAUTION

PRECAUTIONS

Precaution for Supplemental Restraint System (SRS) "AIR BAG" and "SEAT BELT PRE-TENSIONER"

INFOID:000000003221495

The Supplemental Restraint System such as "AIR BAG" and "SEAT BELT PRE-TENSIONER", used along with a front seat belt, helps to reduce the risk or severity of injury to the driver and front passenger for certain types of collision. This system includes seat belt switch inputs and dual stage front air bag modules. The SRS system uses the seat belt switches to determine the front air bag deployment, and may only deploy one front air bag, depending on the severity of a collision and whether the front occupants are belted or unbelted. Information necessary to service the system safely is included in the SR and SB section of this Service Manual.

WARNING:

- To avoid rendering the SRS inoperative, which could increase the risk of personal injury or death in the event of a collision which would result in air bag inflation, all maintenance must be performed by an authorized NISSAN/INFINITI dealer.
- Improper maintenance, including incorrect removal and installation of the SRS, can lead to personal injury caused by unintentional activation of the system. For removal of Spiral Cable and Air Bag Module, see the SR section.
- Do not use electrical test equipment on any circuit related to the SRS unless instructed to in this Service Manual. SRS wiring harnesses can be identified by yellow and/or orange harnesses or harness connectors.

Precaution for Working with HFC-134a (R-134a)

INFOID:000000003302282

WARNING:

- CFC-12 (R-12) refrigerant and HFC-134a (R-134a) refrigerant are not compatible. If the refrigerants are mixed compressor failure is likely to occur. Refer to [HA-3, "Contaminated Refrigerant"](#). To determine the purity of HFC-134a (R-134a) in the vehicle and recovery tank, use Refrigerant Recovery/ Recycling Recharging equipment and Refrigerant Identifier.
- Use only specified oil for the HFC-134a (R-134a) A/C system and HFC-134a (R-134a) components. If oil other than that specified is used, compressor failure is likely to occur.
- The specified HFC-134a (R-134a) oil rapidly absorbs moisture from the atmosphere. The following handling precautions must be observed:
 - When removing refrigerant components from a vehicle, immediately cap (seal) the component to minimize the entry of moisture from the atmosphere.
 - When installing refrigerant components to a vehicle, do not remove the caps (unseal) until just before connecting the components. Connect all refrigerant loop components as quickly as possible to minimize the entry of moisture into system.
 - Only use the specified oil from a sealed container. Immediately reseal containers of oil. Without proper sealing, oil will become moisture saturated and should not be used.
 - Avoid breathing A/C refrigerant and oil vapor or mist. Exposure may irritate eyes, nose and throat. Remove HFC-134a (R-134a) from the A/C system using certified service equipment meeting requirements of SAE J2210 [HFC-134a (R-134a) recycling equipment], or SAE J2209 [HFC-134a (R-134a) recovery equipment]. If accidental system discharge occurs, ventilate work area before resuming service. Additional health and safety information may be obtained from refrigerant and oil manufacturers.
 - Do not allow oil, Genuine NISSAN A/C System Oil Type R to come in contact with styrofoam parts. Damage may result.

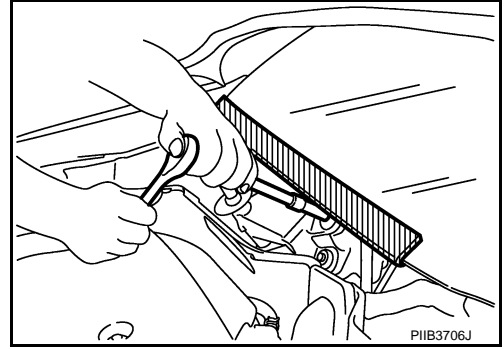
PRECAUTIONS

< PRECAUTION >

Precaution for Procedure without Cowl Top Cover

INFOID:000000003221497

When performing the procedure after removing cowl top cover, cover the lower end of windshield with urethane, etc.



A
B
C
D
E
F
G
H
VTL
J
K
L
M
N
O
P

VTL

PREPARATION

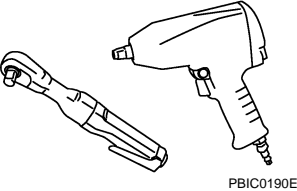
< PREPARATION >

PREPARATION

PREPARATION

Commercial Service Tool

INFOID:000000003221498

Tool name	Description
<p data-bbox="159 415 269 441">Power tool</p>  <p data-bbox="873 632 941 651">PBIC0190E</p>	<p data-bbox="1084 415 1338 441">Loosening bolts and nuts</p>

IN-CABIN MICROFILTER

< FUNCTION DIAGNOSIS >

FUNCTION DIAGNOSIS

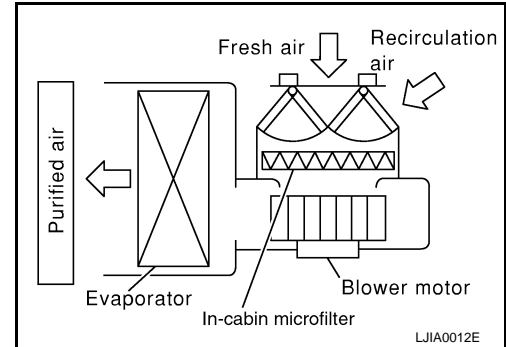
IN-CABIN MICROFILTER

Description

INFOID:000000003302283

FUNCTION

The air inside the passenger compartment is filtered by the in-cabin microfilters when the heater or A/C controls are set on either the recirculation or fresh mode. The two in-cabin microfilters are located in the heater and cooling unit assembly.



REPLACEMENT TIMING

Replacement of the two in-cabin microfilters is recommended on a regular interval depending on the driving conditions. Refer to [MA-6. "Introduction of Periodic Maintenance"](#). It may also be necessary to replace the two in-cabin microfilters as part of a component replacement if the in-cabin microfilters are damaged.

A
B
C
D
E
F
G
H
J
K
L
M
N
O
P

VTL

IN-CABIN MICROFILTER

< ON-VEHICLE MAINTENANCE >

ON-VEHICLE MAINTENANCE

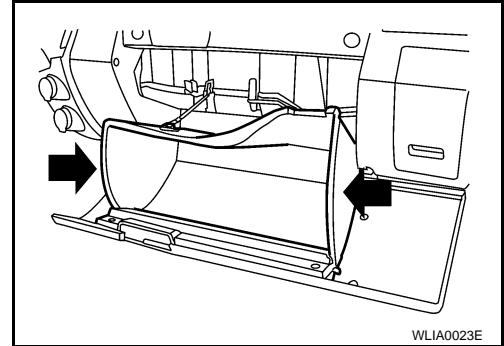
IN-CABIN MICROFILTER

Removal and Installation

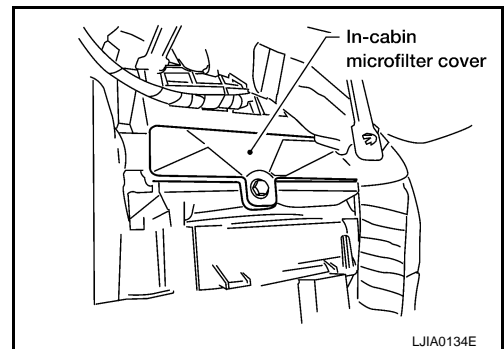
INFOID:000000003302284

REPLACEMENT PROCEDURE

1. Open the lower glove box and press in on the sides so that it will open completely allowing it to hang by the cord.



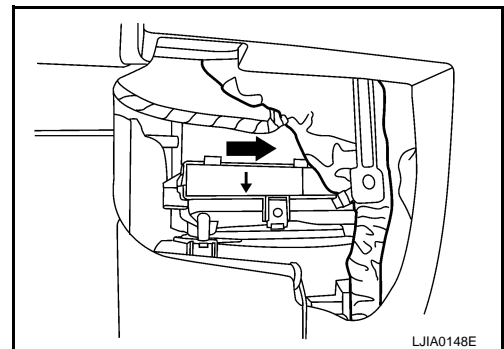
2. Remove the screw and remove the in-cabin microfilter cover.
3. Remove the in-cabin microfilters from the heater and cooling unit housing.



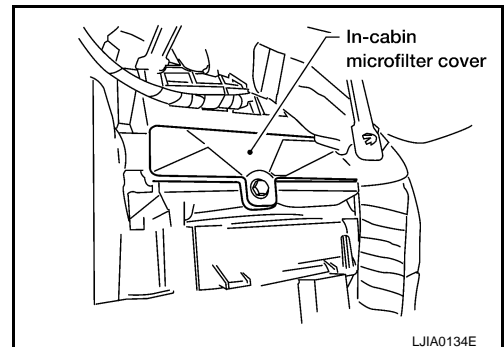
4. Insert the first new in-cabin microfilter into the heater and cooling unit housing and slide it over to the right. Insert the second new in-cabin microfilter into the heater and cooling unit housing.

NOTE:

The in-cabin microfilters are marked with air flow arrows. The end of the microfilter with the arrow should face the rear of the vehicle. The arrows should point downward.



5. Install the in-cabin microfilter cover.



6. Close the lower glove box completely.

CONTROL UNIT

< ON-VEHICLE REPAIR >

ON-VEHICLE REPAIR

CONTROL UNIT

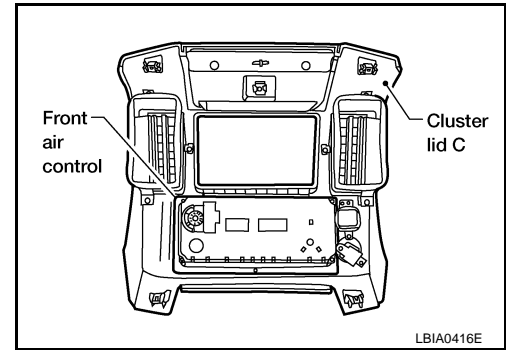
Removal and Installation

INFOID:000000003302285

FRONT AIR CONTROL

Removal

1. Remove cluster lid C. Refer to [IP-10. "Exploded View"](#).
2. Remove the four screws securing the front air control to cluster lid C.
3. Remove the front air control.



Installation

Installation is in the reverse order of removal.

A

B

C

D

E

F

G

H

VTL

J

K

L

M

N

O

P

INTAKE SENSOR

< ON-VEHICLE REPAIR >

INTAKE SENSOR

Removal and Installation

INFOID:000000003302286

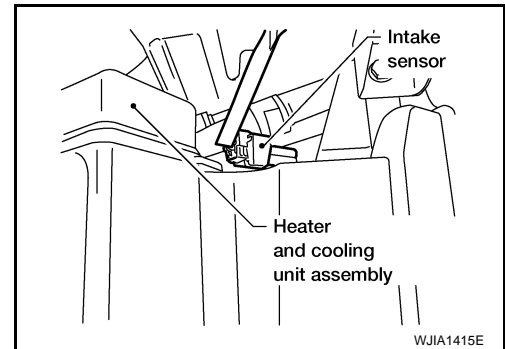
REMOVAL

1. Remove the front kick plate. Refer to [INT-17, "Removal and Installation"](#).
2. Remove the lower dash side finisher. Refer to [IP-10, "Exploded View"](#).
3. Remove the front pillar lower finisher. Refer to [INT-17, "Removal and Installation"](#).
4. Remove the assist grip handle
5. Remove the front pillar upper finisher. Refer to [INT-17, "Removal and Installation"](#).
6. Remove the lower glove box. Refer to [IP-10, "Exploded View"](#).
7. Remove the upper glove box (cluster lid E). Refer to [IP-10](#).
8. Disconnect the intake sensor electrical connector.

NOTE:

The intake sensor is located on the top of the heater and cooling unit assembly next to the A/C evaporator cover.

9. Twist the intake sensor to remove the intake sensor from the heater and cooling unit assembly.



INSTALLATION

Installation is in the reverse order of removal.

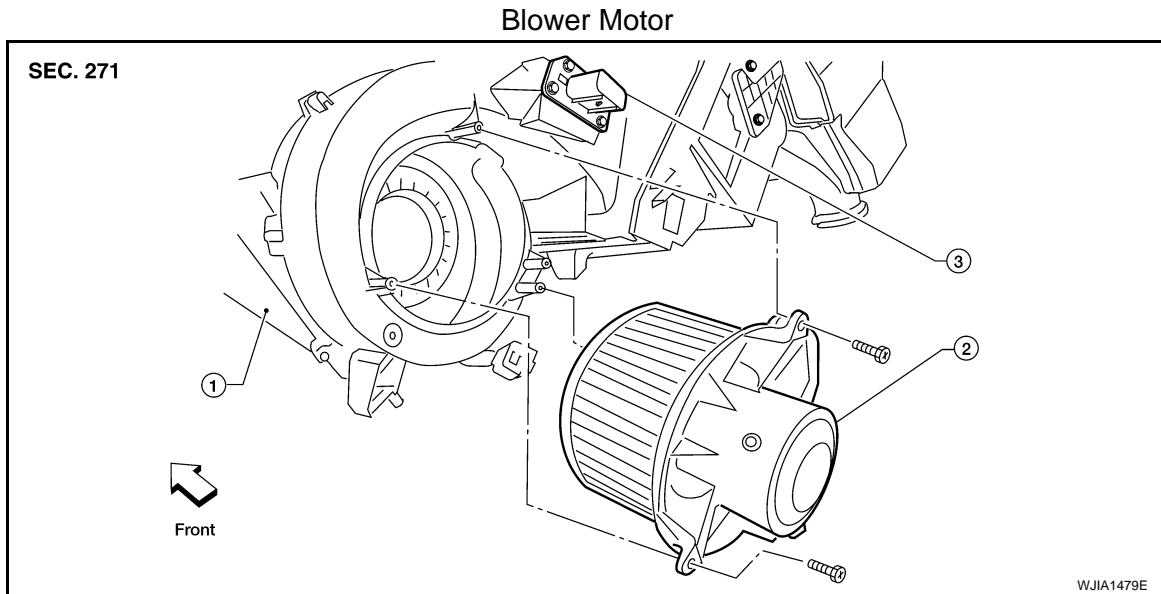
BLOWER MOTOR

< ON-VEHICLE REPAIR >

BLOWER MOTOR

Component

INFOID:000000003302287



1. Heater and cooling unit assembly

2. Blower motor

3. Blower motor resistor

Removal and Installation

INFOID:000000003302288

REMOVAL

1. Remove the lower glove box assembly. Refer to [JP-10, "Exploded View"](#).
2. Disconnect the blower motor electrical connector.
3. Remove the three screws and remove the blower motor.

INSTALLATION

Installation is in the reverse order of removal.

A
B
C
D
E
F
G
H
VTL
J
K
L
M
N
O
P

FRONT BLOWER MOTOR RESISTOR

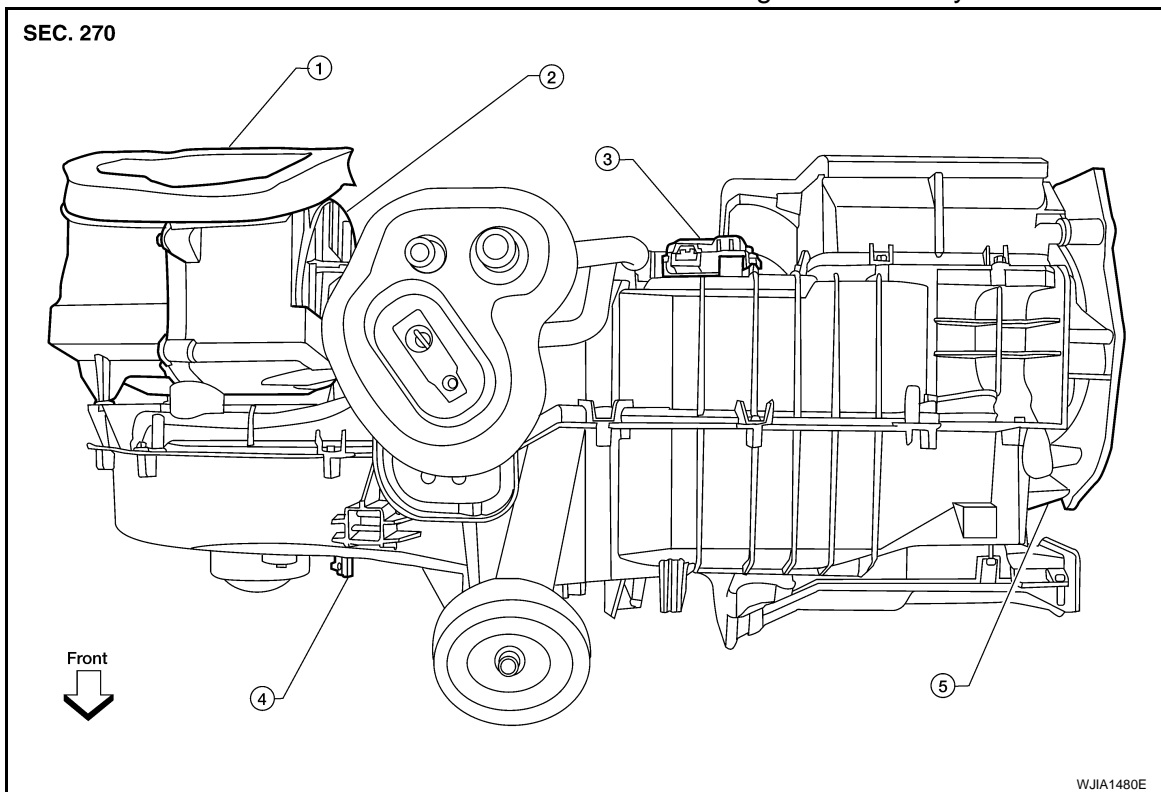
< ON-VEHICLE REPAIR >

FRONT BLOWER MOTOR RESISTOR

Removal and Installation

INFOID:000000003302289

Blower Motor Resistor - Heater and Cooling Unit Assembly



- | | | |
|-------------------------------------|----------------------|-----------------------|
| 1. Heater and cooling unit assembly | 2. Intake door motor | 3. Air mix door motor |
| 4. Blower motor resistor | 5. Mode door motor | |

REMOVAL

1. Disconnect the blower motor resistor electrical connector.
2. Remove the two screws and remove the blower motor resistor.

INSTALLATION

Installation is in the reverse order of removal.

HEATER & COOLING UNIT ASSEMBLY

< ON-VEHICLE REPAIR >

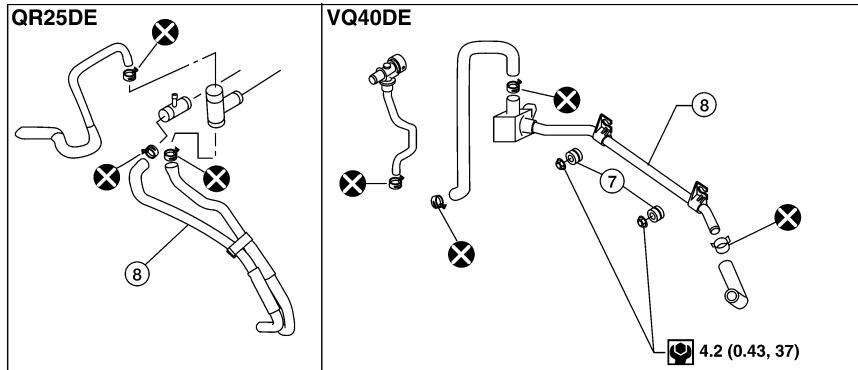
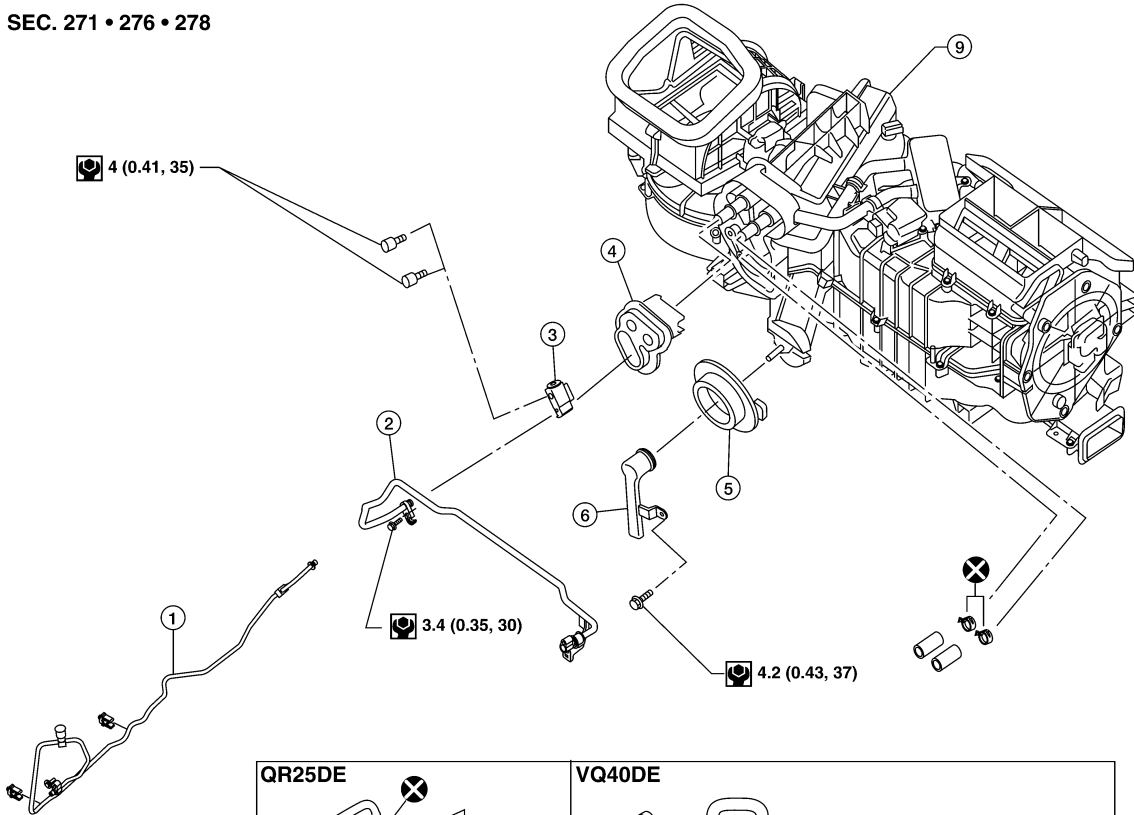
HEATER & COOLING UNIT ASSEMBLY

Component

INFOID:000000003302290

Heater and Cooling Unit Assembly

SEC. 271 • 276 • 278



- : N·m (kg·m, in·lb)
- : Always replace after every disassembly.

- | | | |
|---|---------------------------|-------------------------------------|
| 1. High-pressure A/C pipe | 2. Low-pressure A/C pipe | 3. Expansion valve |
| 4. Heater core and evaporator pipes grommet | 5. A/C drain hose grommet | 6. A/C drain hose |
| 7. Heater core pipe mounts | 8. Heater core pipes | 9. Heater and cooling unit assembly |

Removal and Installation

INFOID:000000003302291

REMOVAL

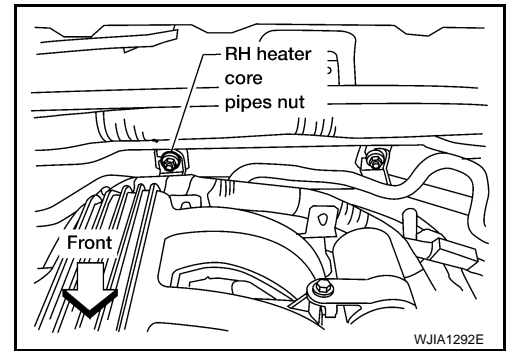
1. Discharge the refrigerant from the A/C system. Refer to [HA-30. "HFC-134a \(R-134a\) Service Procedure"](#).
2. Drain the coolant from the engine cooling system. Refer to [CO-12. "Changing Engine Coolant" \(QR\)](#), [CO-39. "Changing Engine Coolant" \(VQ\)](#).
3. Disconnect the battery negative and positive terminals.

A
B
C
D
E
F
G
H
VTL
J
K
L
M
N
O
P

HEATER & COOLING UNIT ASSEMBLY

< ON-VEHICLE REPAIR >

4. For vehicles equipped with the VQ40DE engine, remove the RH heater core pipes nut.
5. Disconnect the heater core hoses from the heater core.
6. Disconnect the high- and low-pressure A/C pipes from the expansion valve.
7. Move the two front seats to the rearmost position on the seat track.
8. Remove the instrument panel and console panel. Refer to [IP-10, "Exploded View"](#).
9. Remove the two front floor ducts.
10. Remove the steering column. Refer to [ST-12](#).
11. Disconnect the instrument panel wire harness at the RH and LH in-line connector brackets, and the fuse block (SMJ) electrical connectors. Refer to [PG-36, "Harness Layout"](#).
12. Remove the covers then remove the three steering member bolts from each side to disconnect the steering member from the vehicle body.
13. Remove the heater and cooling unit assembly with it attached to the steering member, from the vehicle.
CAUTION:
 - Use care not to damage the seats and interior trim panels when removing the heater and cooling unit assembly with it attached to the steering member.
 - Use suitable plugs on the heater core pipes to prevent coolant leakage.
14. Remove the heater and cooling unit assembly from the steering member.



INSTALLATION

Installation is in the reverse order of removal.

CAUTION:

- Replace the O-ring of the low-pressure A/C pipe and high-pressure A/C pipe with a new one, and apply compressor oil to the O-ring for installation.
- After charging the refrigerant, check for leaks. Refer to [HA-24, "Checking of Refrigerant Leaks"](#).

NOTE:

- Fill the engine cooling system with the specified coolant mixture. Refer to [CO-12, "Changing Engine Coolant"](#) (QR), [CO-39, "Changing Engine Coolant"](#) (VQ).
- Recharge the A/C system. Refer to [HA-30, "HFC-134a \(R-134a\) Service Procedure"](#).

EVAPORATOR

< ON-VEHICLE REPAIR >

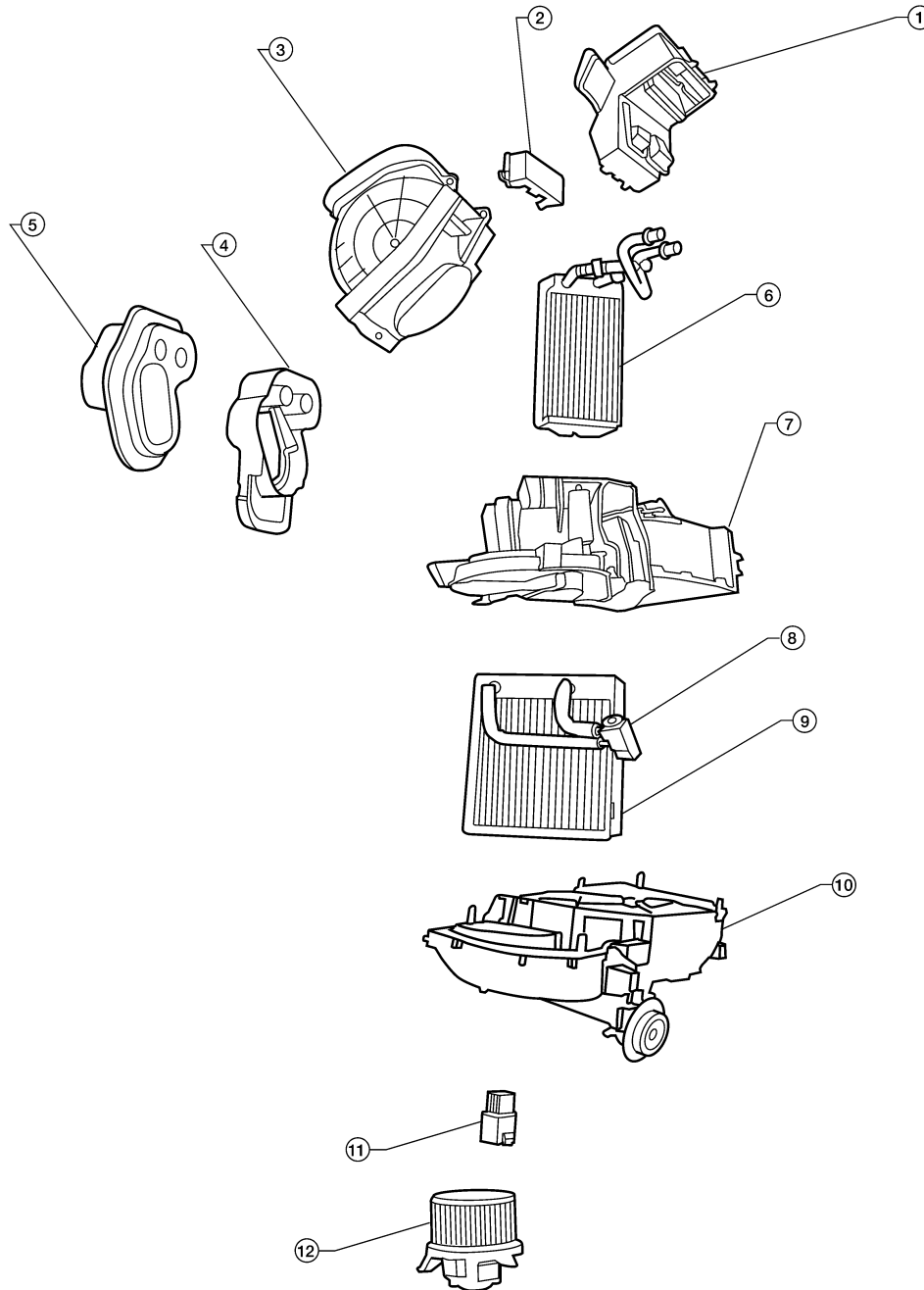
EVAPORATOR

Removal and Installation

INFOID:000000003302292

Heater and Cooling Unit Assembly

SEC. 270 • 271 • 272



- | | | |
|---|---|--------------------|
| 1. Center ventilator connector duct | 2. Heater core cover | 3. Intake air case |
| 4. Heater core and evaporator pipes bracket | 5. Heater core and evaporator pipes grommet | 6. Heater core |
| 7. Upper heater and cooling unit case | 8. Expansion valve | 9. Evaporator |
| 10. Lower heater and cooling unit case | 11. Blower motor resistor | 12. Blower motor |

LJJA0178E

REMOVAL

A
B
C
D
E
F
G
H
VTL
J
K
L
M
N
O
P

EVAPORATOR

< ON-VEHICLE REPAIR >

1. Remove the heater core. Refer to [VTL-15](#).
2. Separate the heater and cooling unit case.
3. Remove the evaporator.

INSTALLATION

Installation is in the reverse order of removal.

CAUTION:

Replace the O-rings on the A/C low-pressure flexible A/C hose and the high-pressure A/C pipe with new ones. Apply compressor oil to the O-rings for installation.

HEATER CORE

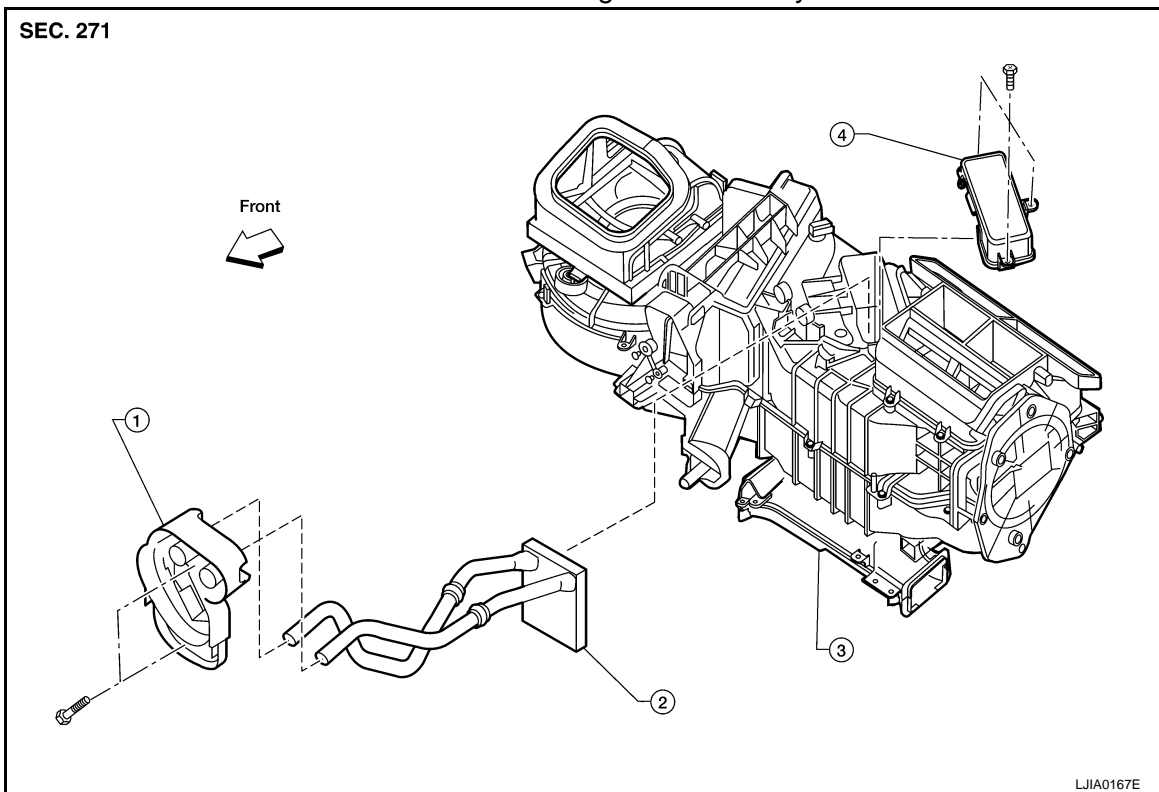
< ON-VEHICLE REPAIR >

HEATER CORE

Component

INFOID:000000003302296

Heater and Cooling Unit Assembly



1. Heater core and evaporator pipe bracket
2. Heater core
3. Heater and cooling unit assembly
4. Heater core cover

Removal and Installation

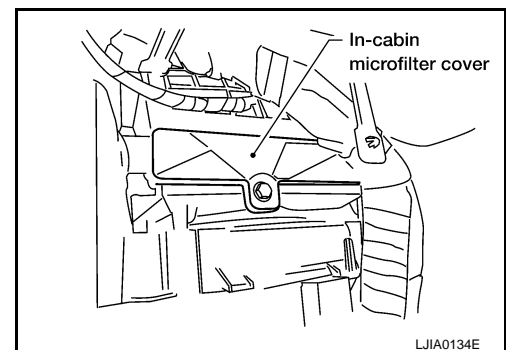
INFOID:000000003302297

REMOVAL

1. Remove the heater and cooling unit assembly. Refer to [VTL-11](#).
2. Remove the three screws and remove the heater core cover.
3. Remove the heater core and evaporator pipe bracket.
4. Remove the heater core.

NOTE:

If the in-cabin microfilters are contaminated from coolant leaking from the heater core, replace the in-cabin microfilters with new ones before installing the new heater core.



INSTALLATION

Installation is in the reverse order of removal.

INTAKE DOOR MOTOR

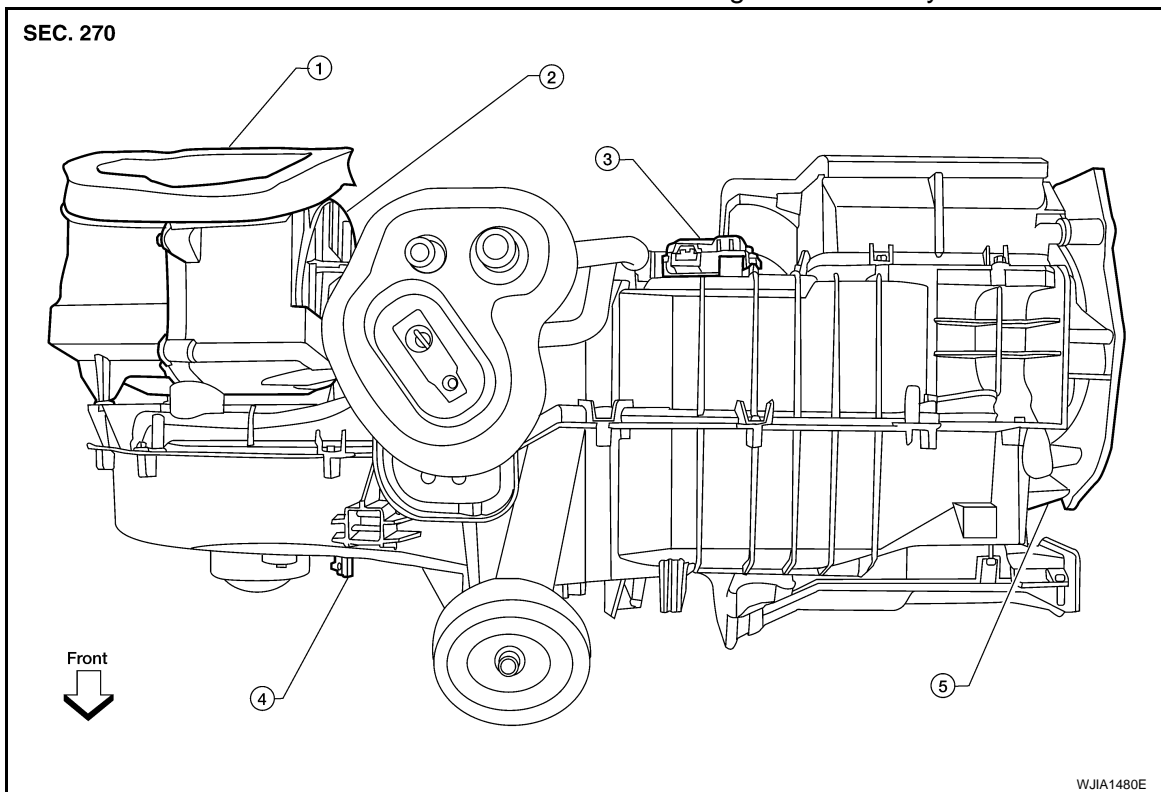
< ON-VEHICLE REPAIR >

INTAKE DOOR MOTOR

Removal and Installation

INFOID:000000003302298

Intake Door Motor - Heater and Cooling Unit Assembly



- | | | |
|-------------------------------------|----------------------|-----------------------|
| 1. Heater and cooling unit assembly | 2. Intake door motor | 3. Air mix door motor |
| 4. Blower motor resistor | 5. Mode door motor | |

REMOVAL

1. Remove the heater and cooling unit assembly. Refer to [VTL-11](#).
2. Disconnect the intake door motor electrical connector.
3. Remove the three screws and remove the intake door motor.

INSTALLATION

Installation is in the reverse order of removal.

MODE DOOR MOTOR

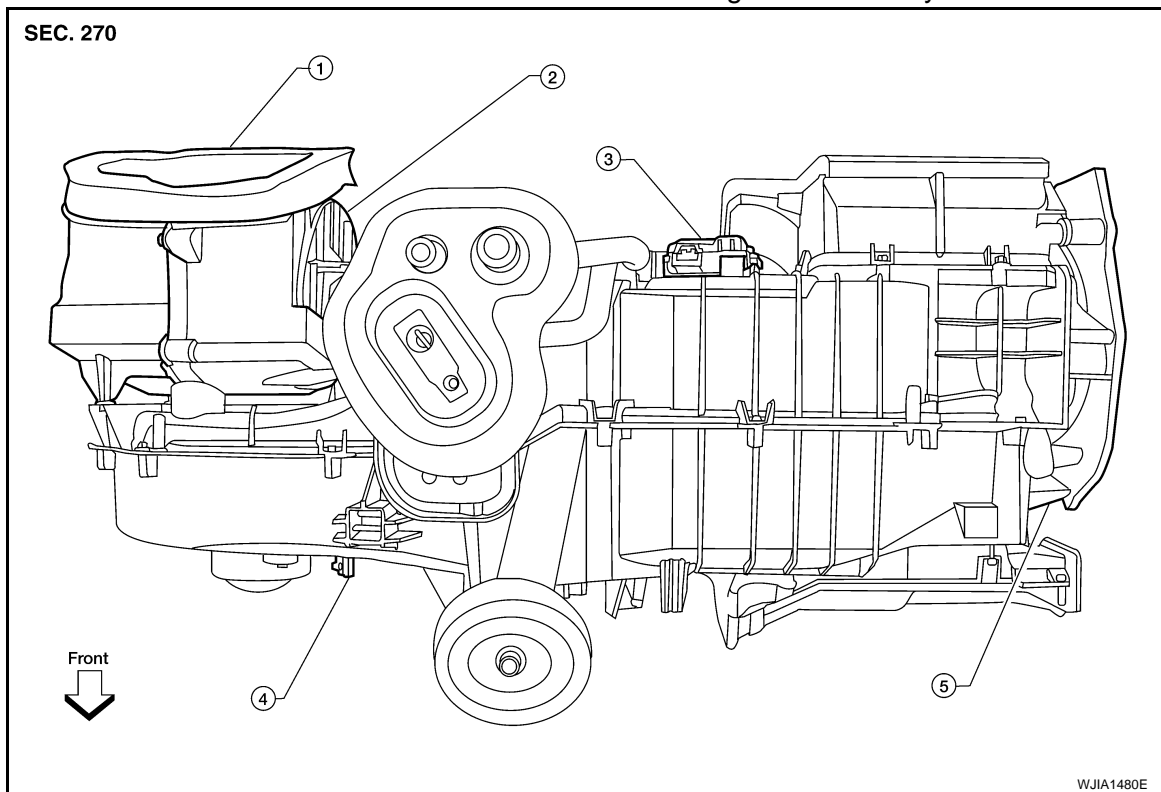
< ON-VEHICLE REPAIR >

MODE DOOR MOTOR

Removal and Installation

INFOID:000000003302299

Mode Door Motor - Heater and Cooling Unit Assembly



- | | | |
|-------------------------------------|----------------------|-----------------------|
| 1. Heater and cooling unit assembly | 2. Intake door motor | 3. Air mix door motor |
| 4. Blower motor resistor | 5. Mode door motor | |

REMOVAL

1. Remove the instrument panel side finisher. Refer to [IP-10](#).
2. Remove the lower instrument cover. Refer to [IP-10](#).
3. Disconnect the mode door motor electrical connector.
4. Remove the three screws and remove the mode door motor.

INSTALLATION

Installation is in the reverse order of removal.

A
B
C
D
E
F
G
H
VTL
J
K
L
M
N
O
P

AIR MIX DOOR MOTOR

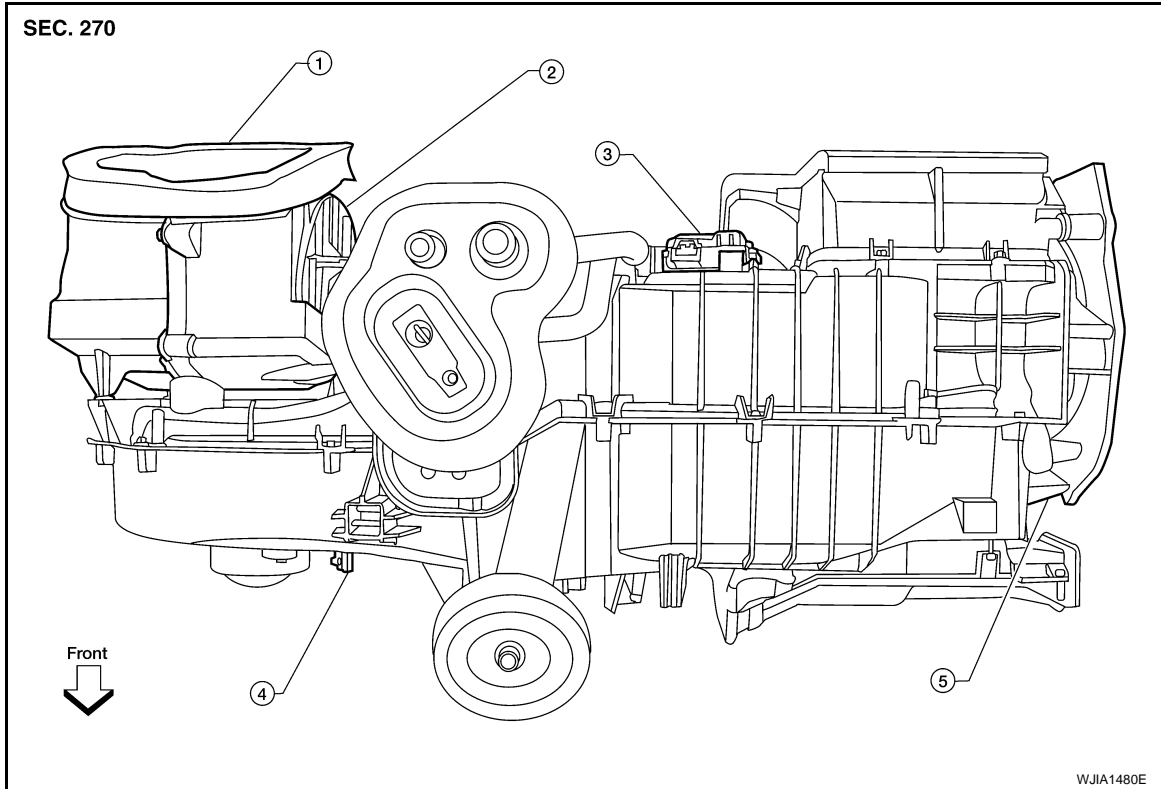
< ON-VEHICLE REPAIR >

AIR MIX DOOR MOTOR

Component

INFOID:000000003302300

Air Mix Door Motor - Heater and Cooling Unit Assembly



- | | | |
|-------------------------------------|----------------------|-----------------------|
| 1. Heater and cooling unit assembly | 2. Intake door motor | 3. Air mix door motor |
| 4. Blower motor resistor | 5. Mode door motor | |

Removal and Installation

INFOID:000000003302301

REMOVAL

1. Remove the heater and cooling unit assembly. Refer to [VTL-11](#).
2. Disconnect the air mix door motor electrical connector.
3. Remove the three screws and remove the air mix door motor.

INSTALLATION

Installation is in the reverse order of removal.

DUCTS AND GRILLES

< ON-VEHICLE REPAIR >

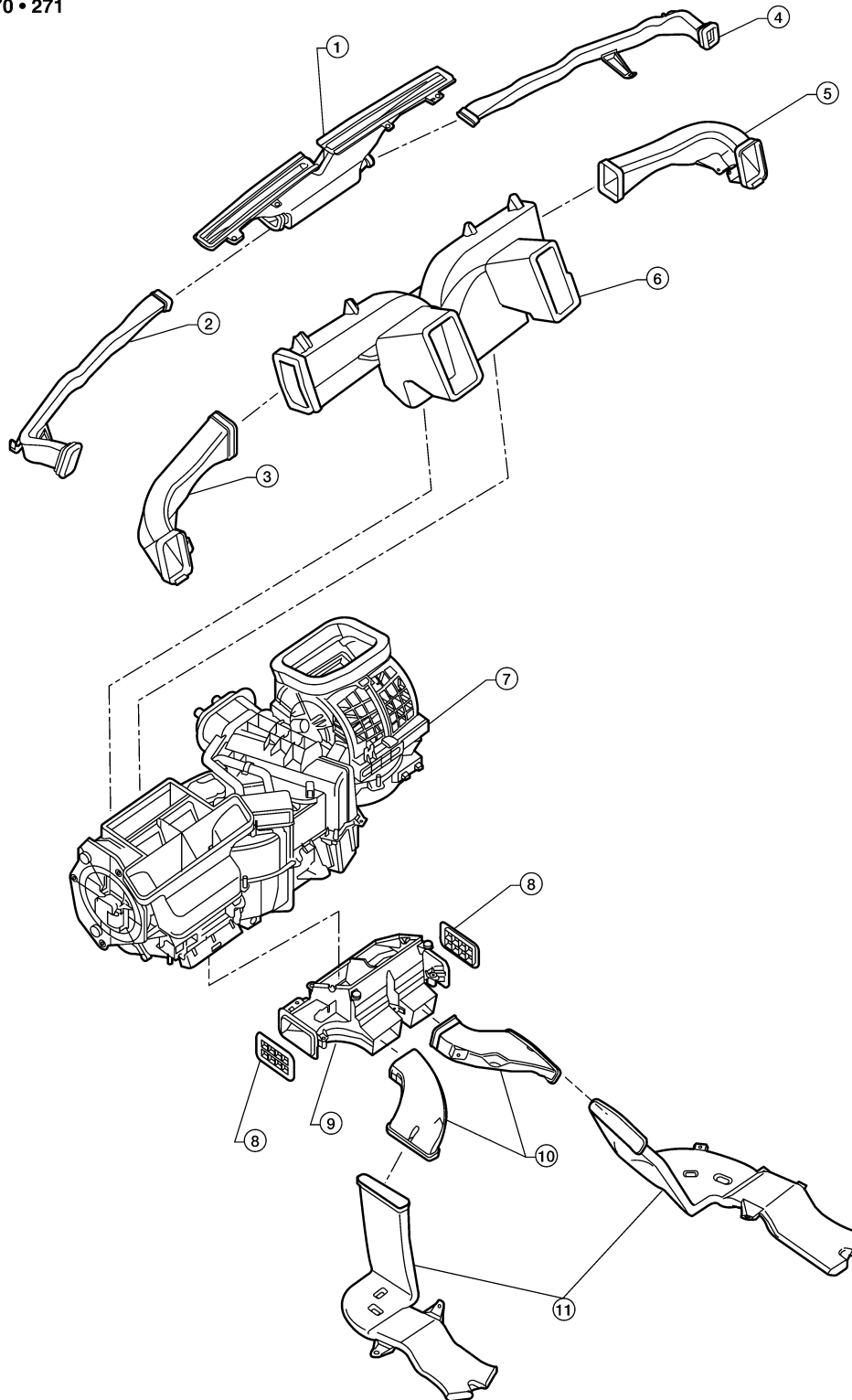
DUCTS AND GRILLES

Component

INFOID:000000003302302

SEC. 270 • 271

Ducts



- 1. Defroster nozzle
- 4. RH side demister duct

- 2. LH side demister duct
- 5. RH ventilator duct

- 3. LH ventilator duct
- 6. Center ventilator duct

WJIA1260E

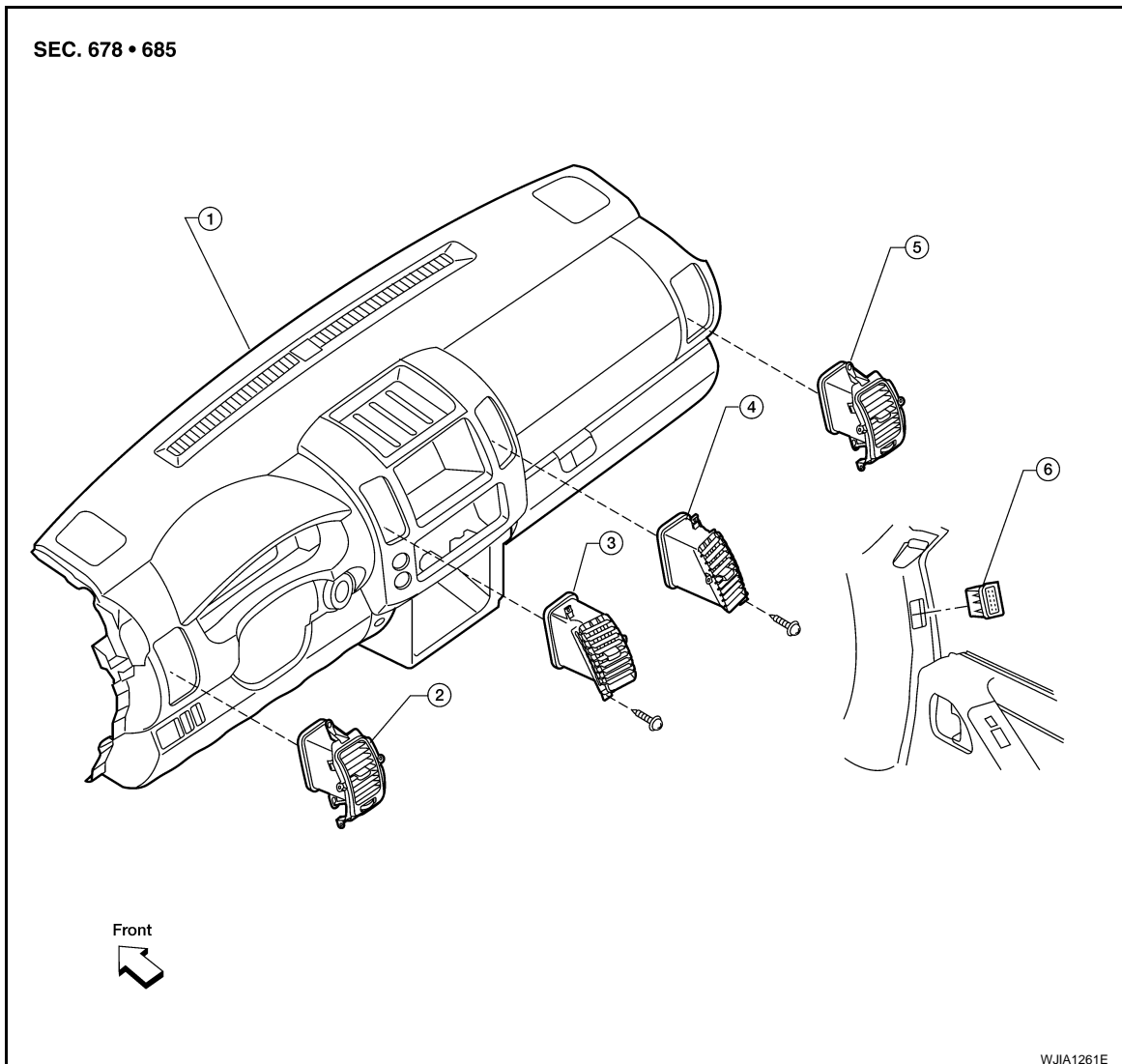
A
B
C
D
E
F
G
H
VTL
J
K
L
M
N
O
P

DUCTS AND GRILLES

< ON-VEHICLE REPAIR >

- 7. Front heater and cooling unit assembly
- 8. Floor connector duct grilles
- 9. Floor connector duct
- 10. Front floor ducts
- 11. Rear floor ducts

Grilles



- 1. Instrument panel
- 2. LH side ventilator grille
- 3. LH ventilator grille
- 4. RH ventilator grille
- 5. RH side ventilator grille
- 6. RH side demister grille

Removal and Installation

INFOID:000000003302303

DEFROSTER NOZZLE

Removal

1. Remove the heater and cooling unit assembly. Refer to [VTL-11](#).
2. Remove the defroster nozzle.

Installation

Installation is in the reverse order of removal.

RH AND LH SIDE DEMISTER DUCTS

Removal

1. Remove the heater and cooling unit assembly. Refer to [VTL-11](#).
2. Remove the RH or LH side demister duct.

Installation

DUCTS AND GRILLES

< ON-VEHICLE REPAIR >

Installation is in the reverse order of removal.

RH AND LH VENTILATOR DUCTS

Removal

1. Remove the heater and cooling unit assembly. Refer to [VTL-11](#).
2. Remove the RH or LH ventilator duct.

Installation

Installation is in the reverse order of removal.

CENTER VENTILATOR DUCT

Removal

1. Remove the heater and cooling unit assembly. Refer to [VTL-11](#).
2. Remove the defroster nozzle.
3. Remove the RH and LH ventilator ducts.
4. Remove the RH and LH side demister ducts.
5. Remove the center ventilator duct.

Installation

Installation is in the reverse order of removal.

FLOOR CONNECTOR DUCT

Removal

1. Remove the heater and cooling unit assembly. Refer to [VTL-11](#).
2. Remove the floor connector duct.

Installation

Installation is in the reverse order of removal.

FRONT AND REAR FLOOR DUCTS

Removal

1. Remove the floor carpet. Refer to [INT-21](#).
2. Remove the clips and front and rear floor ducts.

Installation

Installation is in the reverse order of removal.

GRILLES

Removal

1. Remove the interior trim panel as necessary that contains the grille to be removed. Refer to [INT-16](#), ["Component"](#) and [IP-10](#).
2. Remove the grille from the interior trim panel.

Installation

Installation is in the reverse order of removal.

A

B

C

D

E

F

G

H

VTL

J

K

L

M

N

O

P