

SECTION **BT**

GI

MA

EM

LC

EC

FE

CL

MT

AT

FA

RA

BR

ST

RS

BT

HA

EL

IDX

CONTENTS

PRECAUTIONS	2	Roof Trim	20
Precaution	2	Trunk Room Trim	21
Supplemental Restraint System (SRS) "AIR BAG"	2	EXTERIOR	22
GENERAL SERVICING	3	SEAT	27
Clip and Fastener	3	Front Seat	27
BODY END	6	Heated Seat	31
Body Front End	6	Rear Seat	32
Body Rear End and Opener	9	SUNROOF	33
DOOR	11	Trouble Diagnoses	37
Front Door	11	WINDSHIELD AND WINDOWS	41
Rear Door	12	Windshield and Rear Window	42
INSTRUMENT PANEL	13	MIRROR	43
INTERIOR TRIM	16	Door Mirror	43
Side and Floor Trim	16	BODY ALIGNMENT	44
Door Trim	19	Engine Compartment	44
		Underbody	46

★ For seat belt, refer to MA and RS section.

★ For wiring diagrams of body electrical systems, refer to EL section.

PRECAUTIONS

Precaution

- When removing or installing various parts, place a cloth or padding onto the vehicle body to prevent scratches.
- Handle trim, molding, instruments, grille, etc. carefully during removing or installing. Be careful not to soil or damage them.
- Apply sealing compound where necessary when installing parts.
- When applying sealing compound, be careful that the sealing compound does not protrude from parts.
- When replacing any metal parts (for example body outer panel, members, etc.), be sure to take rust prevention measures.

Supplemental Restraint System (SRS) "AIR BAG"

The Supplemental Restraint System "AIR BAG", used along with a seat belt, helps to reduce the risk or severity of injury to the driver and front passenger in a frontal collision. The Supplemental Restraint System consists of air bag modules (located in the center of the steering wheel and on the instrument panel on the passenger side), a diagnosis sensor unit, warning lamp, wiring harness and spiral cable.

If the vehicle is equipped with side air bag as the Supplemental Restraint System, the supplemental side air bag used along with the seat belt helps to reduce the risk or severity of injury to the driver and front passenger in a side collision. The supplemental side air bag consists of air bag modules (located in the outer side of front seats), satellite sensor, diagnosis sensor unit (which is one of components of supplemental air bags for a frontal collision), wiring harness, warning lamp (which is one of components of supplemental air bags for a frontal collision). Information necessary to service the system safely is included in the **RS section** of this Service Manual.


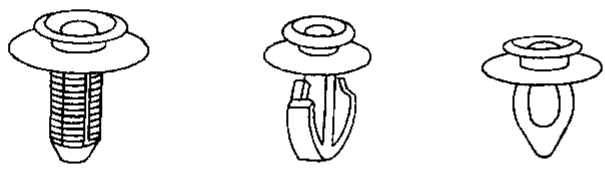
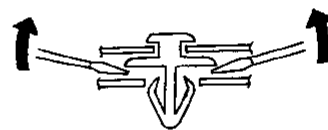

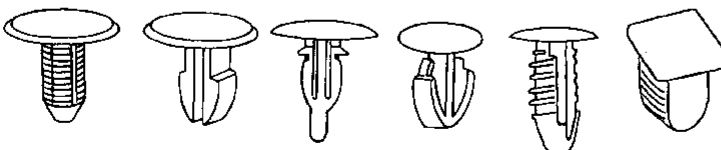
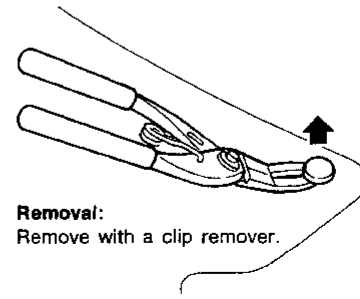
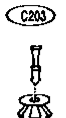
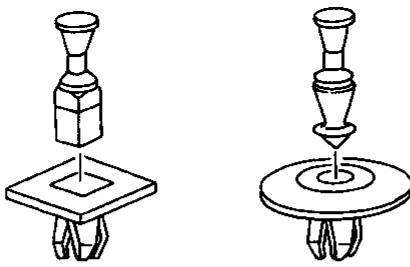
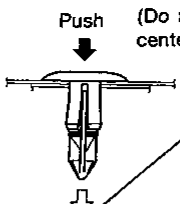
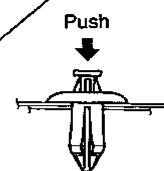

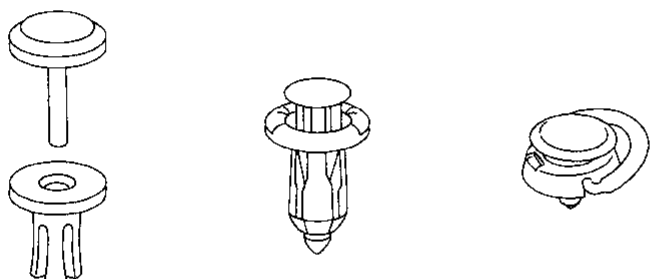
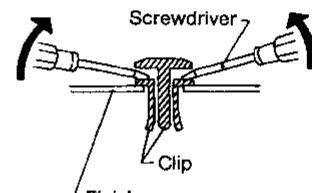
WARNING:

- **To avoid rendering the SRS inoperative, which could increase the risk of personal injury or death in the event of a collision which would result in air bag inflation, all maintenance must be performed by an authorized NISSAN dealer.**
- **Improper maintenance, including incorrect removal and installation of the SRS, can lead to personal injury caused by unintentional activation of the system.**
- **Do not use electrical test equipment on any circuit related to the SRS unless instructed to in this Service Manual. SRS wiring harnesses can be identified with yellow harness protector or yellow insulation tape before the harness connectors.**

GENERAL SERVICING

Clip and Fastener

- Clips and fasteners in BT section correspond to the following numbers and symbols.
- Replace any clips and/or fasteners which are damaged during removal or installation.

Symbol No.	Shapes	Removal & Installation
		<p>Removal: Remove by bending up with flat-bladed screwdrivers or clip remover.</p>  <p>SBF302H SBF367BA</p>
		 <p>Removal: Remove with a clip remover.</p> <p>SBF095 SBF423H</p>
		<p>Push center pin to catching position. (Do not remove center pin by hitting it.)</p>  <p>Push</p>  <p>Push</p> <p>Installation:</p> <p>SBF258G SBF708E</p>
		<p>Removal:</p>  <p>Screwdriver Clip Finisher</p> <p>MBT080A SBF638C</p>

GI

MA

EM

LC

EC

FE

CL

MT

AT

FA

RA

BR

ST

RS

BT


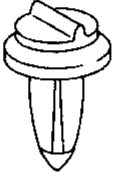
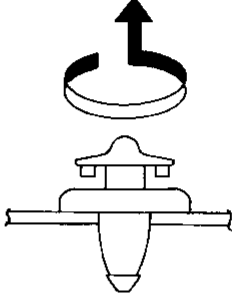

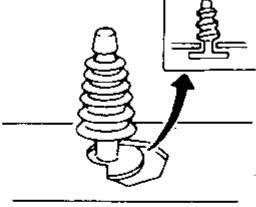
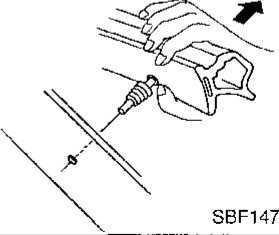
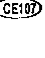
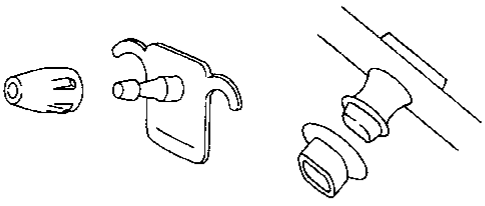
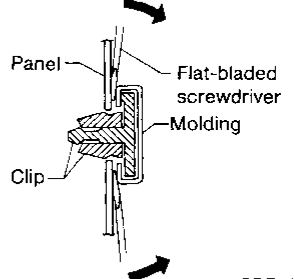

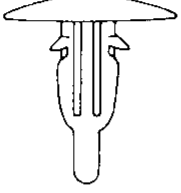
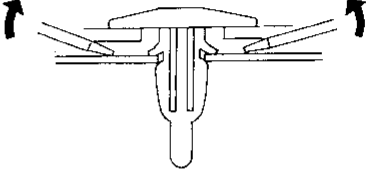

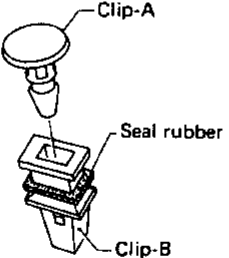
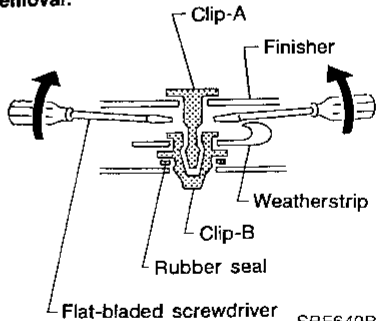
HA

EL

IDX


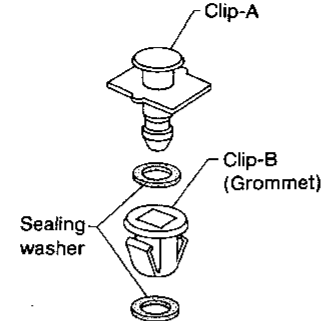
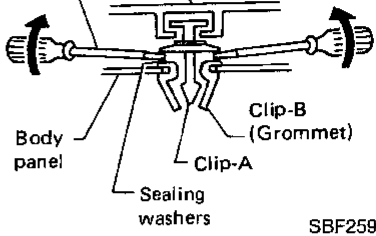

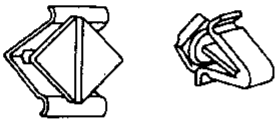

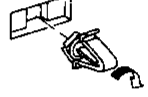

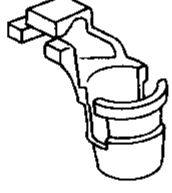
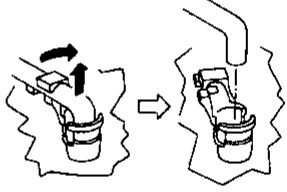

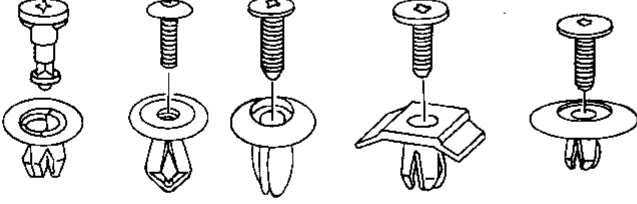
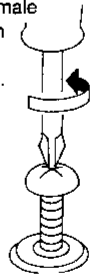
GENERAL SERVICING

Clip and Fastener (Cont'd)

Symbol No.	Shapes	Removal & Installation
		 <p style="text-align: right;">MBF519B</p> <p style="text-align: right;">MBF520B</p>
		<p>Removal:</p>  <p style="text-align: right;">SBF104B</p> <p style="text-align: right;">SBF147B</p>
		 <p style="text-align: right;">SBF411H</p> <p style="text-align: right;">SBF767B</p>
		<p>Removal: Remove by bending up with a flat-bladed screwdriver or pliers.</p>  <p style="text-align: right;">SBF174D</p> <p style="text-align: right;">SBF175DA</p>
		<p>Removal:</p>  <p style="text-align: right;">SBF648B</p> <p style="text-align: right;">SBF649B</p>

GENERAL SERVICING

Clip and Fastener (Cont'd)

Symbol No.	Shapes	Removal & Installation
		<p>Removal: Flat-bladed screwdriver Finisher</p>  <p>Body panel Clip-B (Grommet) Clip-A Sealing washers</p> <p>SBF151D SBF259G</p>
		<p>Removal: Rotate 45° to remove.</p>  <p>Installation:</p>  <p>SBF145B SBF085B</p>
		<p>Removal: Holder portion of clip must be spread out to remove rod.</p>  <p>SBF768B SBF770B</p>
		<p>Removal:</p> <ol style="list-style-type: none"> Screw out with a Phillips screwdriver. Remove female portion with flat-bladed screwdriver.  <p>SBF078B SBF992G</p>

GI
MA
EM
LC
EC
FE
CL
MT
AT
FA
RA
BR
ST
RS
BT
HA
EL
IDX

BODY END

Body Front End

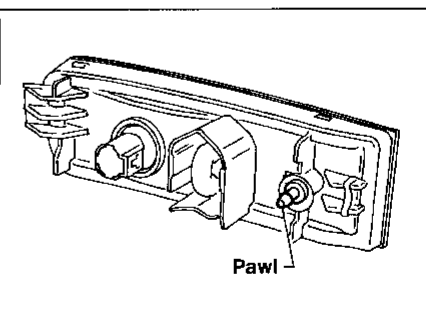
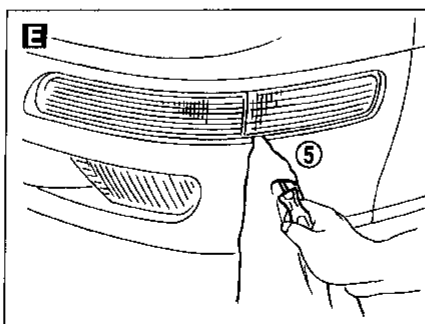
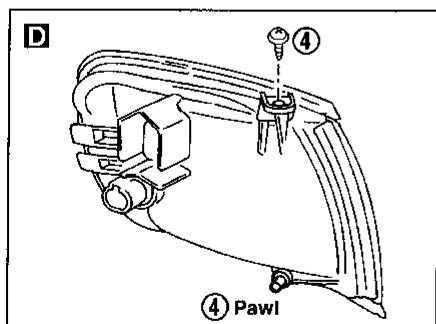
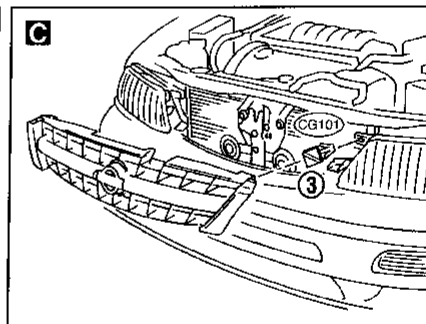
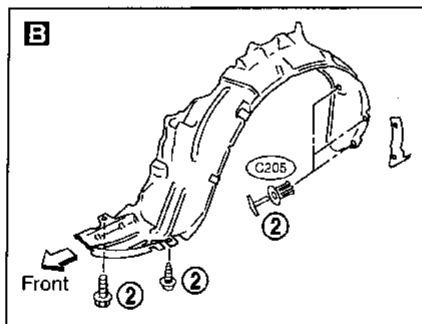
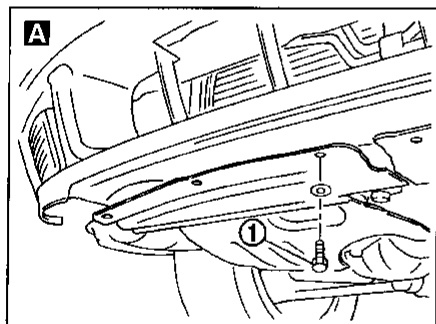
- When removing or installing hood, place a cloth or other padding on hood. This prevents vehicle body from being scratched.
- Bumper fascia is made of plastic. Do not use excessive force and be sure to keep oil away from it.
- Hood adjustment: Adjust at hinge portion.
- Hood lock adjustment: After adjusting, check hood lock control operation. Apply a coat of grease to hood locks engaging mechanism.
- Hood opener: Do not attempt to bend cable forcibly. Doing so increases effort required to unlock hood.

WARNING:

- Be careful not to scratch hood stay when installing hood. A scratched stay may cause gas leakage.
- The contents of the hood stay are under pressure. Do not take apart, puncture, apply heat or allow fire near it.

REMOVAL — Front bumper assembly

- ① Remove bolts securing engine undercover from the front side. **A**
- ② Remove bolts, screws and clips securing fender protectors in the wheelhouse. Then remove left and right fender protectors. **B**
- ③ Remove clip securing grille and remove the grille. **C**
- ④ Remove screws securing left and right side combination lamps and remove the lamps. **D**
- ⑤ Insert flat-bladed screwdriver between side marker lamps and turn signal lamps. Then remove side marker lamps. **E**
- ⑥ Remove screws securing left and right turn signal lamps and remove the lamps. **F**
- ⑦ Remove the clip securing fog lamp finisher and remove the finisher. Then remove the bolts securing fog lamps and remove the lamps. **G**
- ⑧ Remove nuts and bolts securing headlamps. Then remove left and right headlamps. **H**
- ⑨ Remove bolts securing both bumper side brackets and remove the brackets. **I**
- ⑩ Remove bolts and clips securing bumper fascia. **J**
- ⑪ Remove nuts securing fascia from both bumper sides. Then pull bumper fascia out. **K**
- ⑫ Remove nuts and bolts securing retainer from center and both sides and remove retainer. **L**
- ⑬ Remove nuts securing bumper reinforcement and remove the reinforcement. **M**
- ⑭ Remove bolts and nuts securing bumper stay and remove the bumper stay. **N**



BODY END

Body Front End (Cont'd)

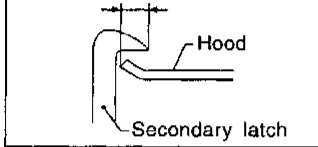
SEC. 260•261•262•620•630•650

Hood lock adjustment

- Adjust hood so that hood primary lock meshes at a position 1 to 1.5 mm (0.039 to 0.059 in) lower than fender.
- After hood lock adjustment, adjust bumper rubber.
- When securing hood lock, ensure it does not tilt. Striker must be positioned at the center of hood primary lock.
- After adjustment, ensure that hood primary and secondary lock operate properly.

Hood lock secondary latch hooking length

More than 5.0 mm (0.197 in)

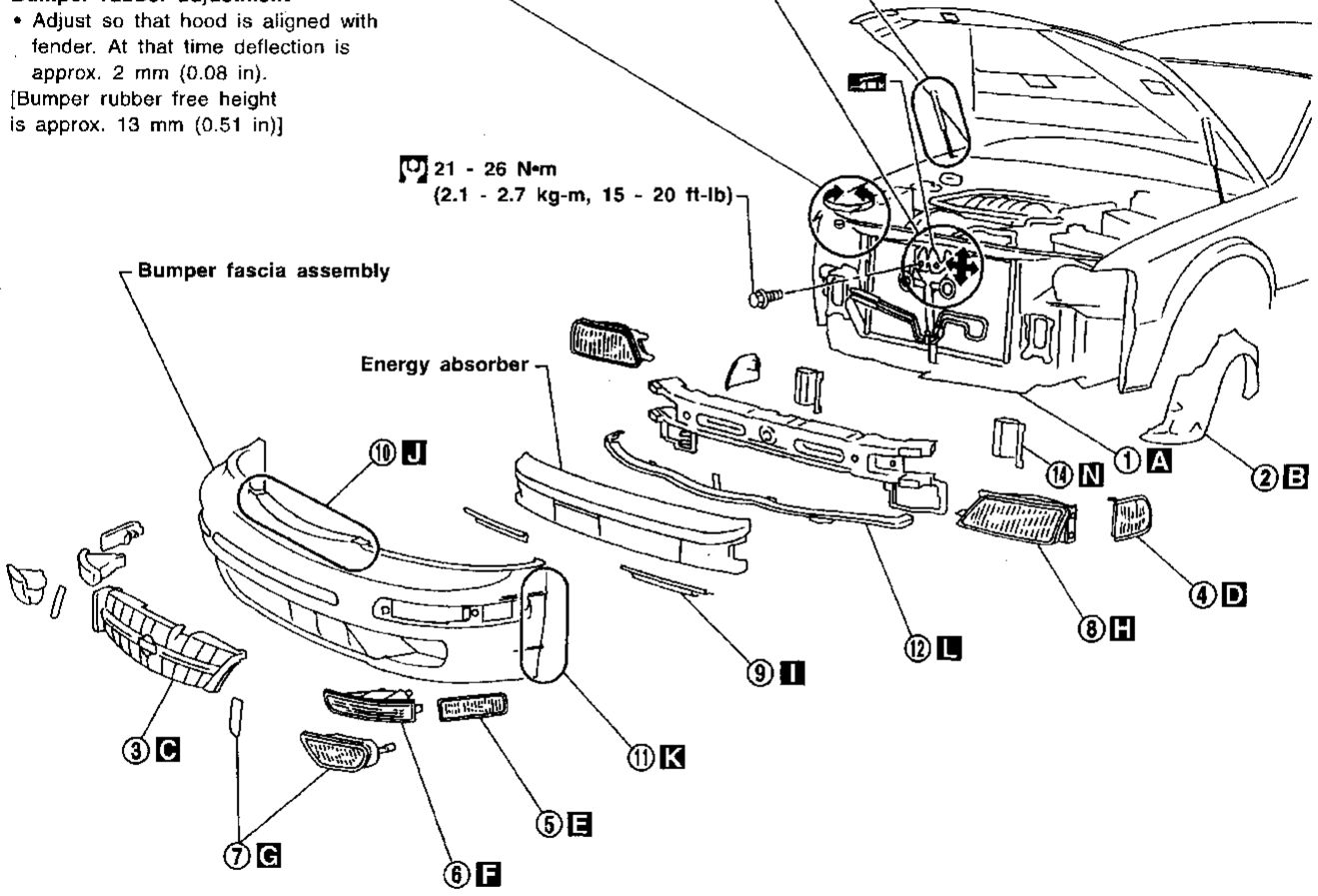


Bumper rubber adjustment

- Adjust so that hood is aligned with fender. At that time deflection is approx. 2 mm (0.08 in).
- [Bumper rubber free height is approx. 13 mm (0.51 in)]

Hood adjustment and hood stay installation

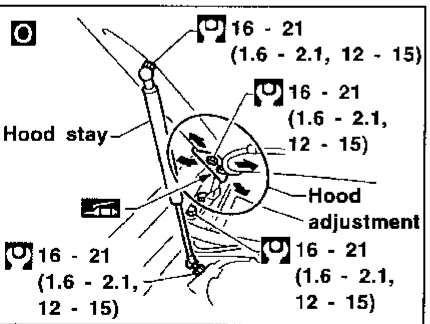
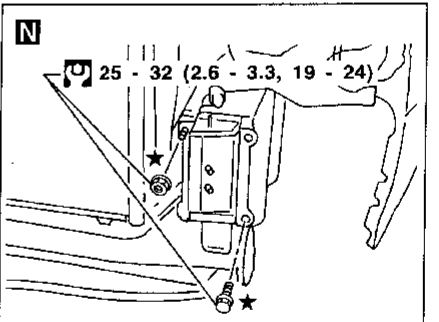
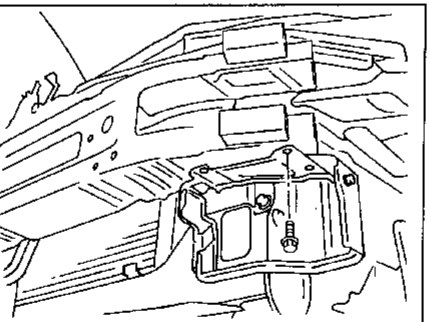
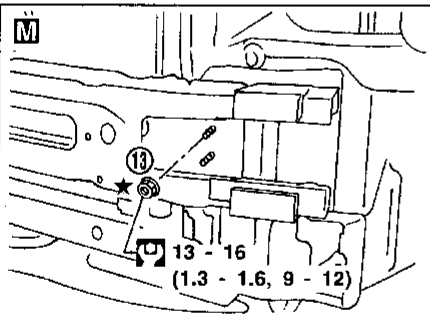
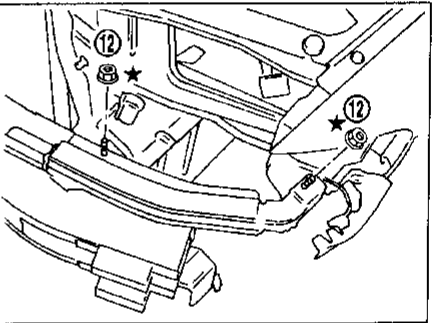
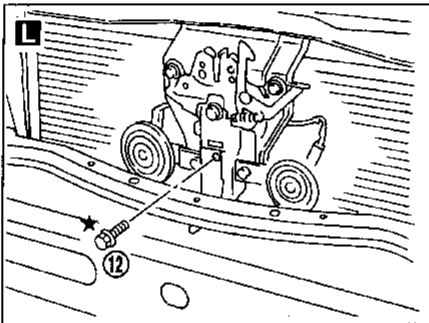
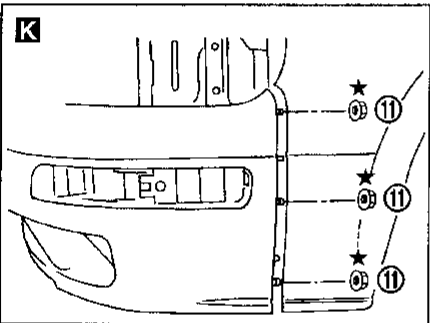
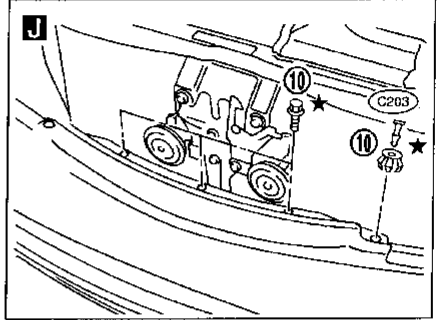
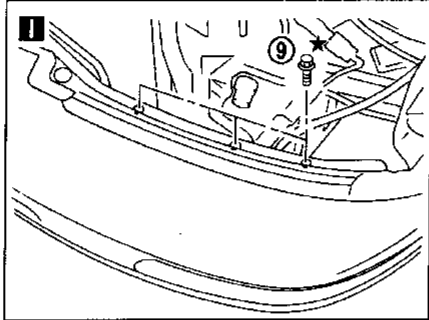
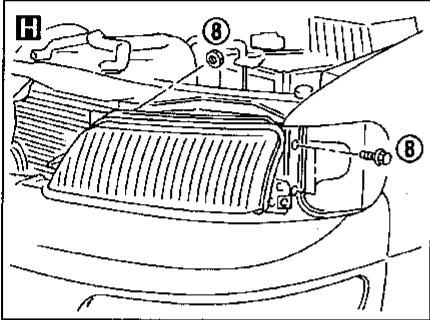
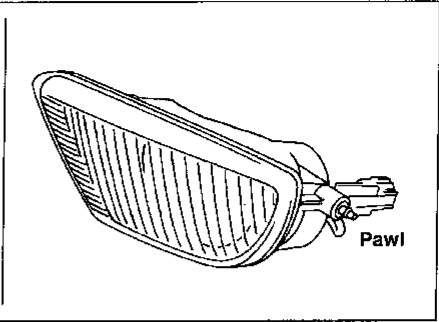
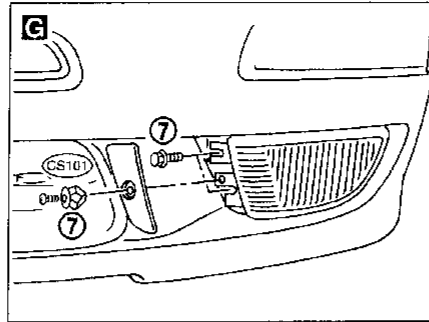
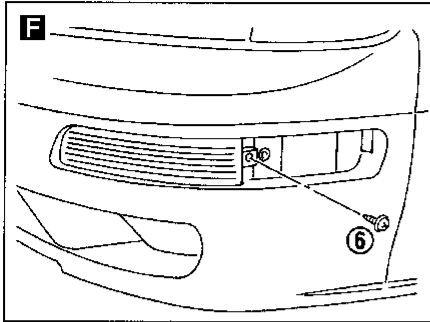
21 - 26 N•m
(2.1 - 2.7 kg-m, 15 - 20 ft-lb)



GI
MA
EM
LC
EC
FE
CL
MT
AT
FA
RA
BR
ST
RS
BT
HA
EL
IDX

BODY END

Body Front End (Cont'd)



★ : Bumper assembly mounting clips, bolts & nuts
 [] : N·m (kg-m, ft-lb)

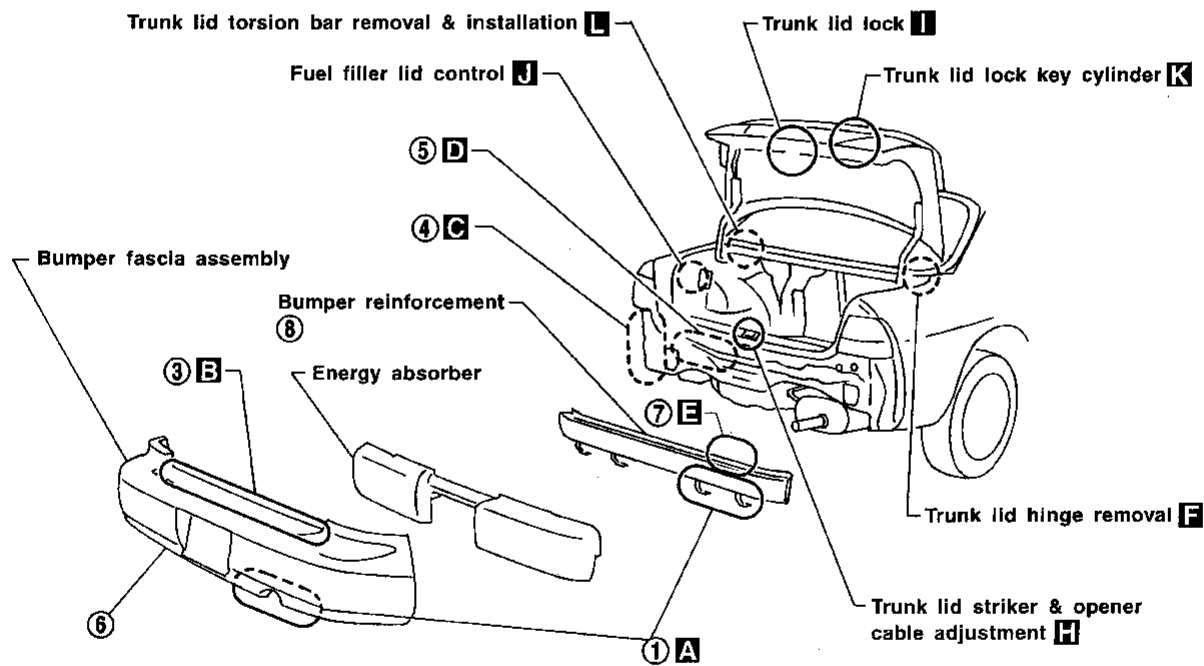
Body Rear End and Opener

- When removing or installing trunk lid, place a cloth or other padding on trunk lid. This prevents vehicle body from being scratched.
- Bumper fascia is made of plastic. Do not use excessive force and be sure to keep oil away from it.
- Trunk lid adjustment: Adjust at hinge-trunk lid portion for proper trunk lid fit.
- Trunk lid lock system adjustment: Adjust striker so that it is in the center of the lock. After adjustment, check trunk lid lock operation.
- After installation, make sure that trunk lid and fuel filler lid open smoothly.
- ★ For Wiring Diagram, refer to "TRUNK LID AND FUEL FILLER LID OPENER" in EL section.

REMOVAL — Rear bumper assembly

- 1 Remove bolts from lower side of rear bumper fascia. **A**
- 2 Remove trunk trim. Refer to "Trunk Room Trim" in "INTERIOR TRIM" for details, BT-21.
- 3 Remove clips securing upper side of bumper fascia. **B**
- 4 Remove nuts from each fender side. **C**
- 5 Remove nuts securing fascia bracket from trunk compartment. **D**
- 6 Pull bumper fascia out.
- 7 Remove left and right plugs from floor and then remove reinforcement mounting bolts. **E**
- 8 Pull reinforcement out.

SEC. 843-850

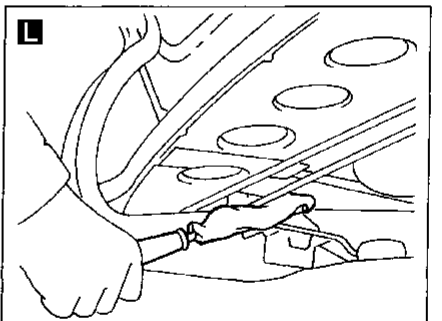
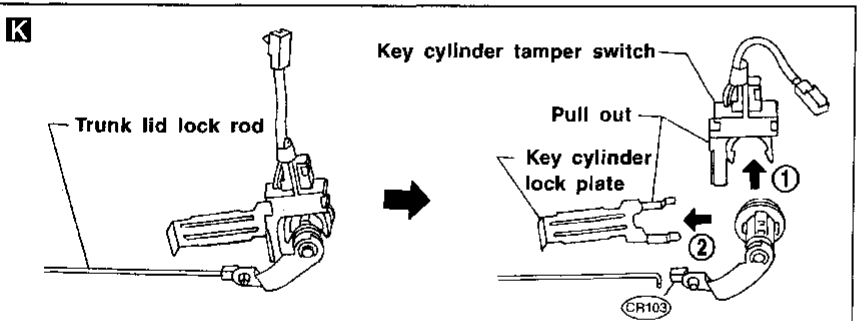
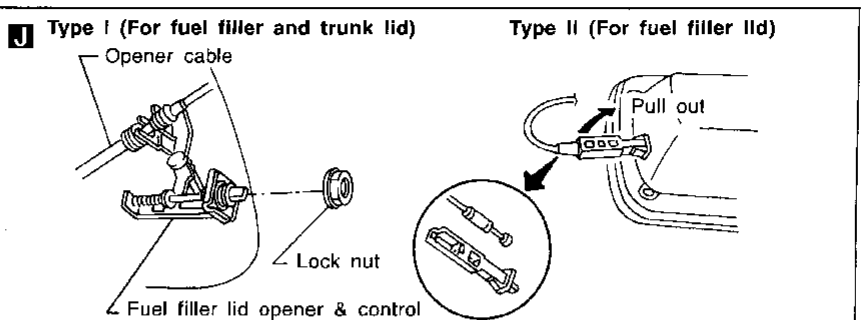
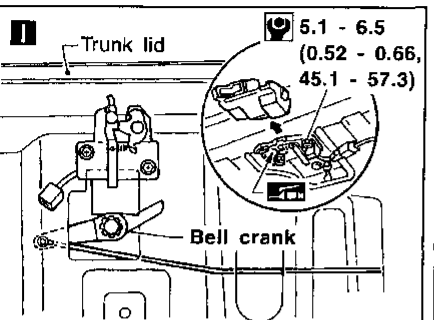
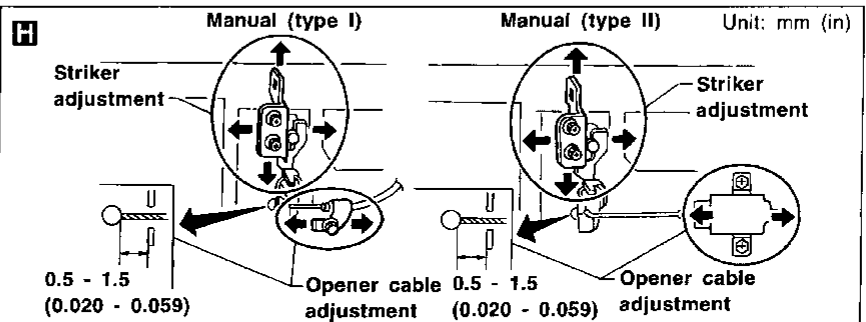
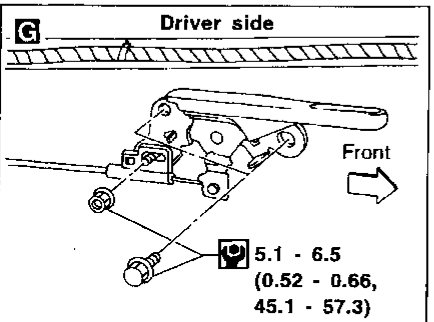
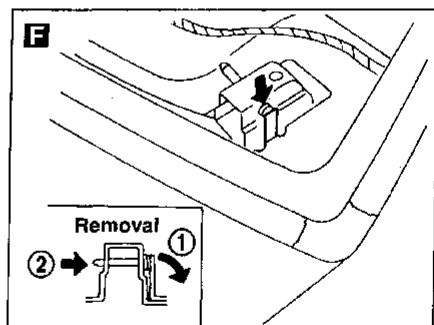
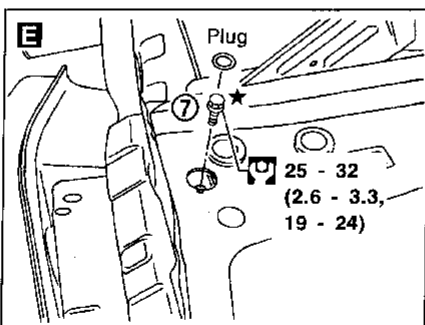
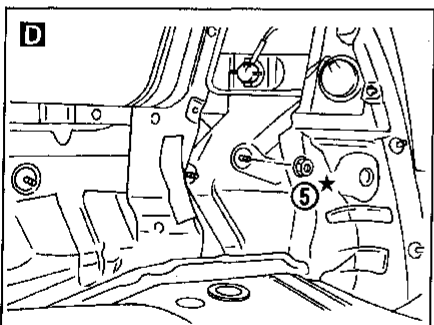
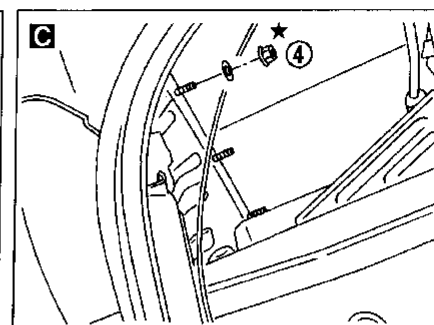
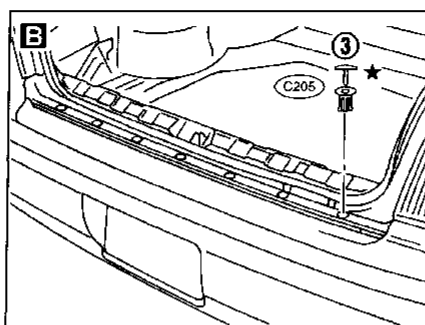
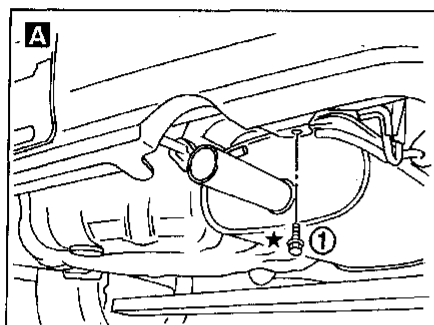


GI
MA
EM
LC
EC
FE
CL
MT
AT
FA
RA
BR
ST
RS
BT
HA
EL
IDX

SBT340

BODY END

Body Rear End and Opener (Cont'd)



☐ : N·m (kg-m, in-lb) Ⓞ : N·m (kg-m, ft-lb)

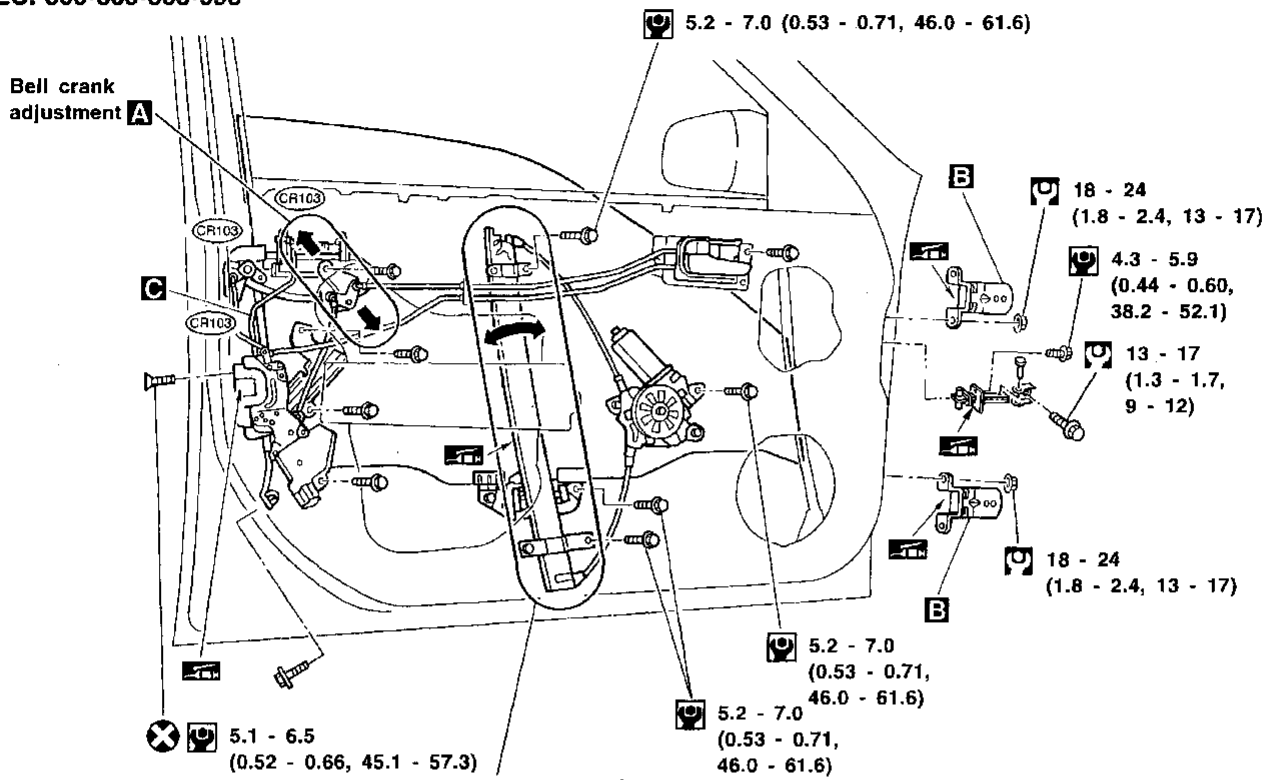
★ : Bumper assembly mounting bolts, nuts and clips

DOOR

Front Door

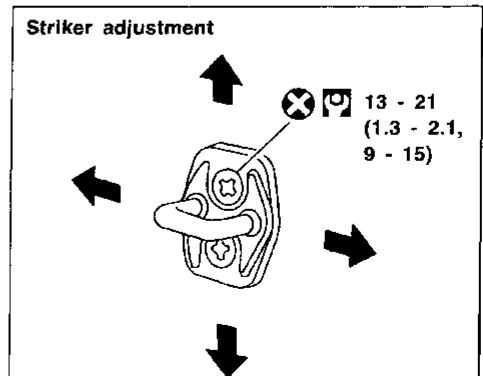
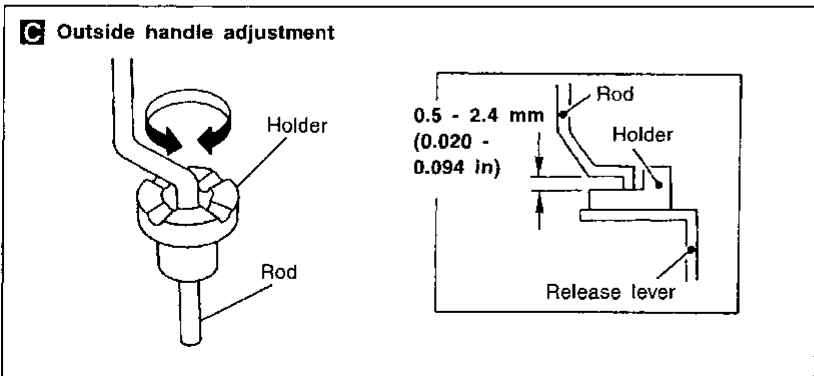
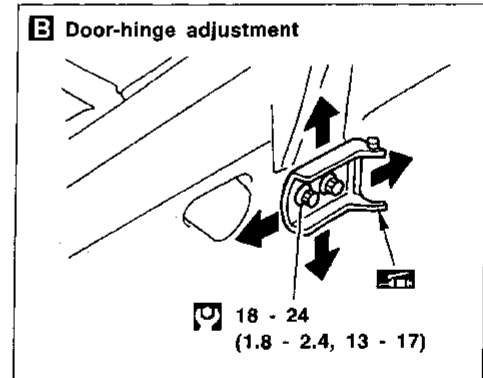
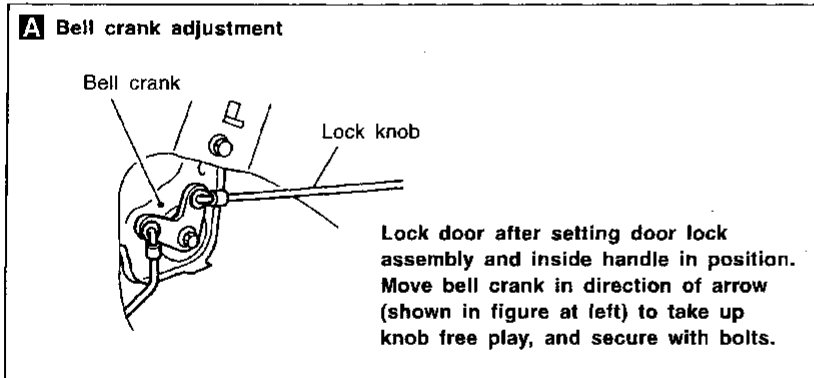
- For removal of door trim, refer to "Door Trim" in "INTERIOR TRIM", BT-19.
- After adjusting door or door lock, check door lock operation.

SEC. 800•803•805•998



Door glass adjustment

• Adjust guide rail mounting position by rotating it.



: N•m (kg-m, in-lb)

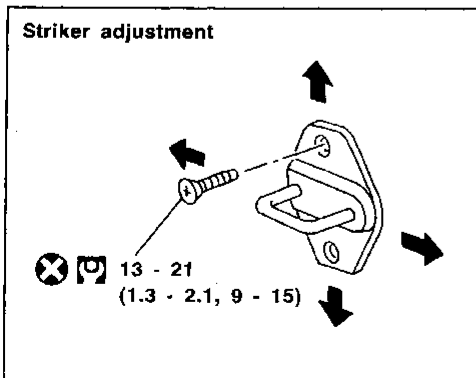
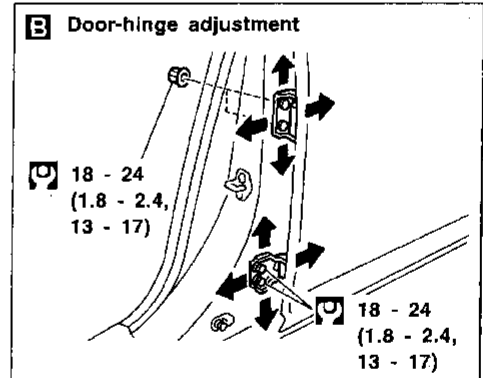
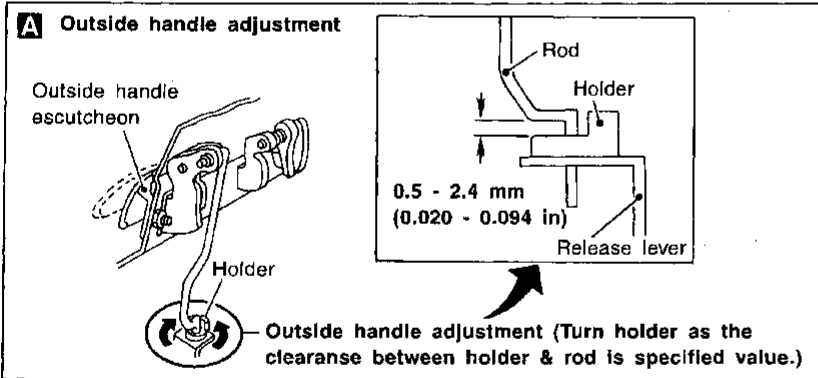
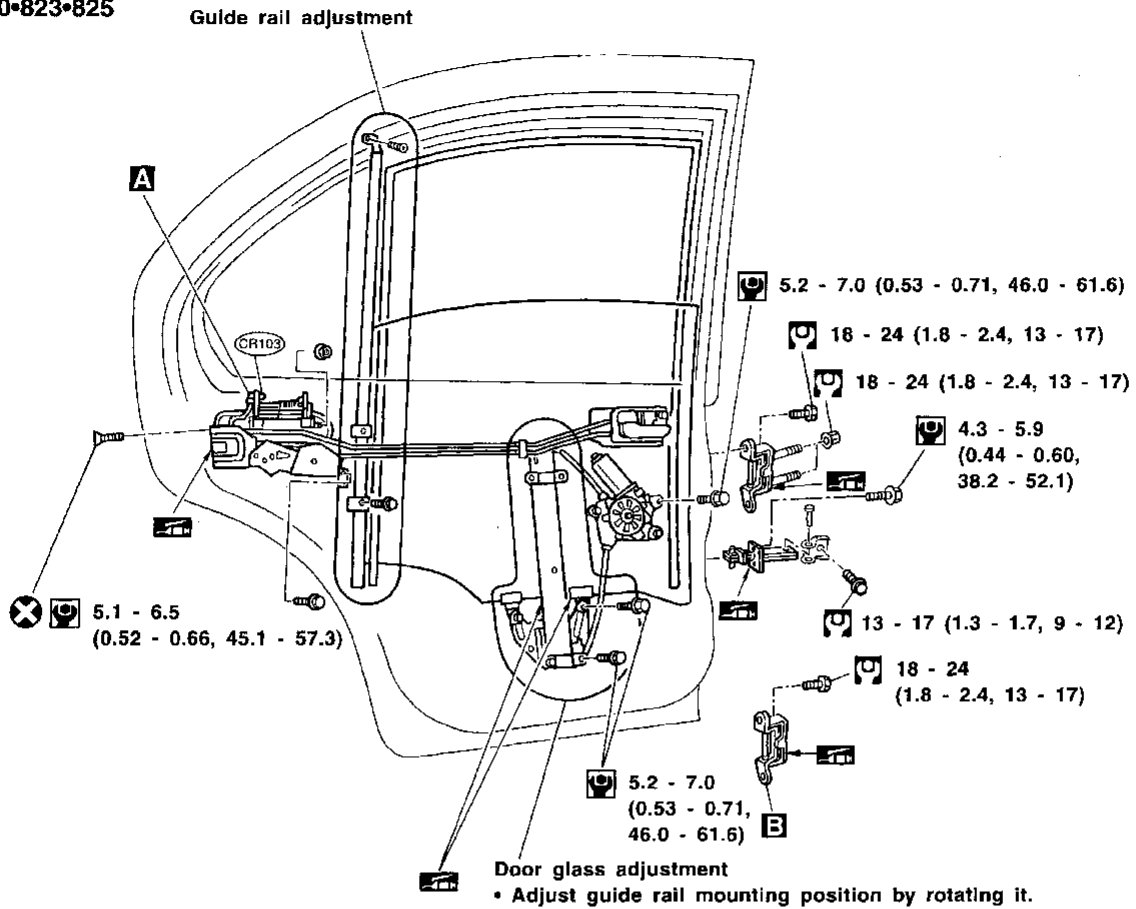
: N•m (kg-m, ft-lb)

GI
MA
EM
LC
EC
FE
CL
MT
AT
FA
RA
BR
ST
RS
BT
HA
EL
IDX

DOOR

Rear Door

SEC. 820•823•825



: N•m (kg-m, in-lb)
 : N•m (kg-m, ft-lb)

INSTRUMENT PANEL

CAUTION:

- Disconnect ground terminal from battery in advance.
- Disconnect air bag system line in advance.
- Never tamper with or force air bag lid open, as this may adversely affect air bag performance.
- Be careful not to scratch pad and other parts.

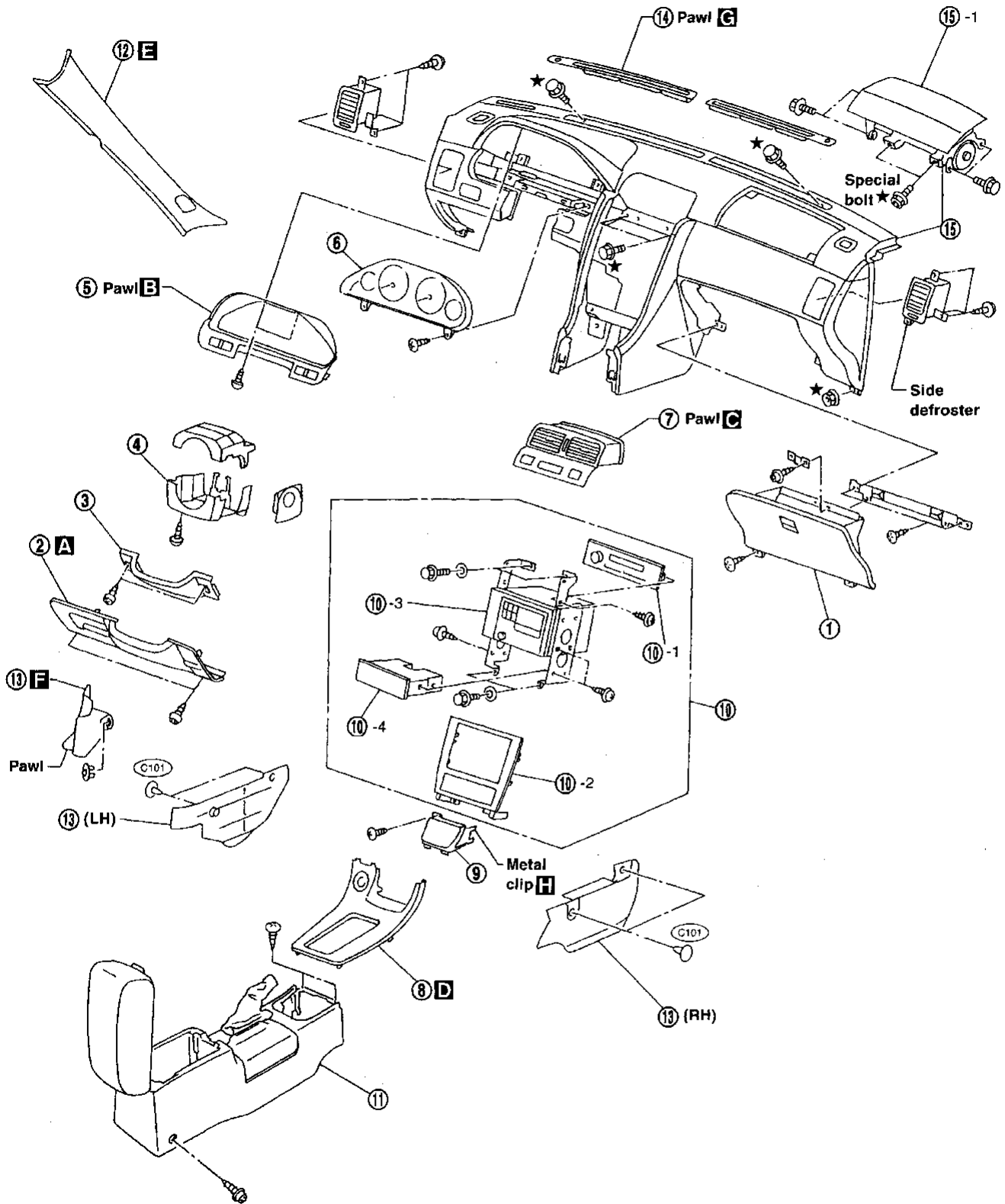
REMOVAL — Instrument panel assembly

Instrument panel assembly	Combination meter	Audio & A/C control	Console box
Remove air bag module (driver) and steering wheel. Refer to "SUPPLEMENTAL RESTRAINT SYSTEM" in RS section for details.			
① Glove box assembly <ul style="list-style-type: none"> ● Remove upper screws and lower screws. ● Then disconnect passenger air bag module connector. 			
② Instrument lower panel on driver side A <ul style="list-style-type: none"> ● Remove screws. 			
③ Knee protector assembly <ul style="list-style-type: none"> ● Remove screws. 			
④ Steering column cover & combination switch <ul style="list-style-type: none"> ● Remove screws. 			
⑤ Cluster lid A B <ul style="list-style-type: none"> ● Remove screws. 			
⑥ Combination meter <ul style="list-style-type: none"> ● Remove screws then disconnect harness connectors. 			
⑦ Center ventilator with switch panel C <ul style="list-style-type: none"> ● Pull out with a miniature flat-bladed screwdriver. 			
⑧ A/T shifter cover plate or M/T shifter cover plate D			
⑨ Ashtray			
⑩ Audio & A/C control unit assembly <ul style="list-style-type: none"> ● Remove upper & lower screws from the instrument panel. 			
⑩-1 A/C or heater control ⑩-2 Cluster lid C ⑩-3 Audio ⑩-4 Card & coin case			
⑪ Console box <ul style="list-style-type: none"> ● Remove screws under the shifter cover plate and also remove rear screws. 			
⑫ Front pillar garnish E			
⑬ Instrument dash: Lower cover and center lower cover on LH, RH F			
⑭ Defroster grille G			
⑮ Instrument panel assembly <ul style="list-style-type: none"> ● Remove instrument panel by unscrewing bolts & nuts marked with ★. 			
⑯-1 Passenger air bag module <ul style="list-style-type: none"> ● Remove bolts. 			

GI
 MA
 EM
 LC
 EC
 FE
 CL
 MT
 AT
 FA
 RA
 BR
 ST
 RS
 BT
 HA
 EL
 IDX

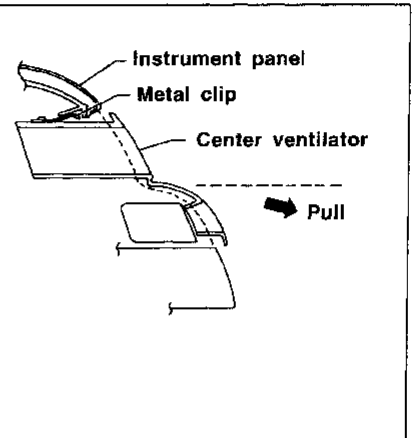
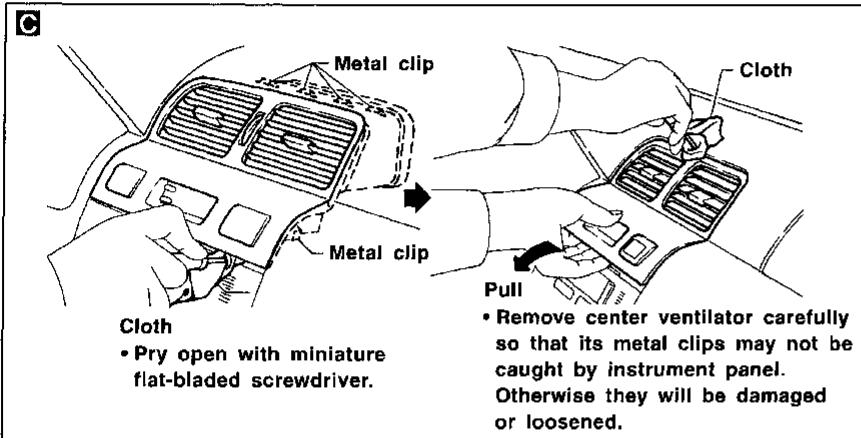
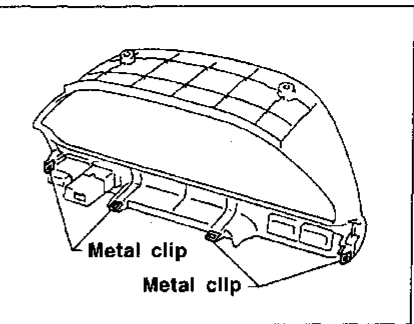
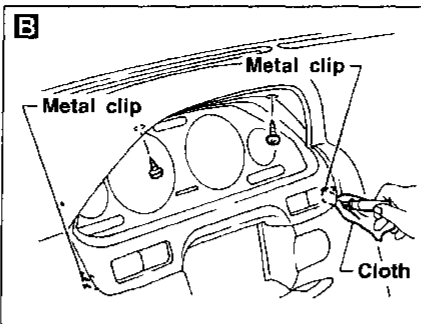
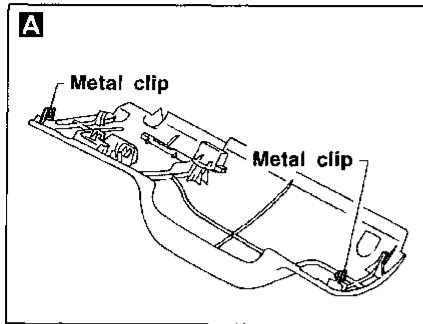
INSTRUMENT PANEL

SEC. 248•280•487•680•685•769•969



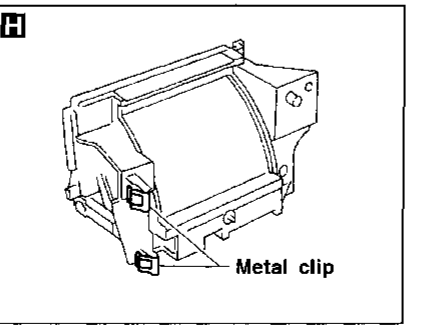
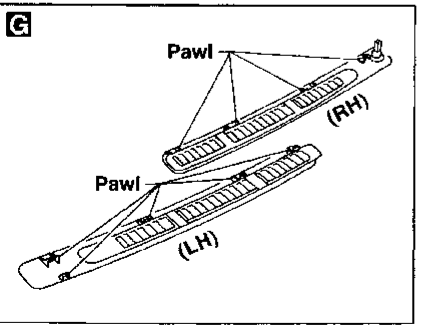
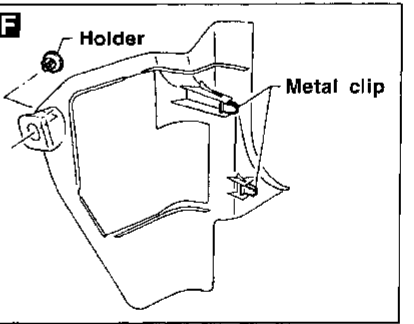
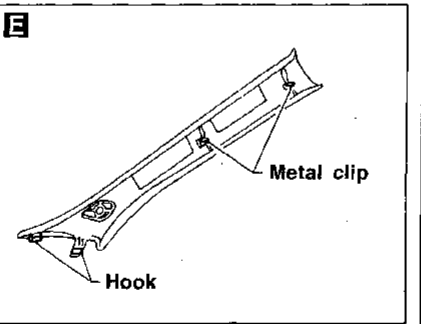
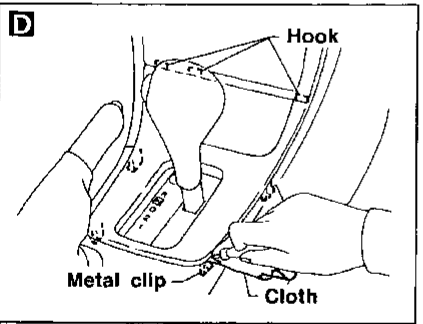
★: Instrument panel assembly mounting bolts and nuts

INSTRUMENT PANEL



CAUTION:

- Do not pull the center ventilator horizontally, but do so slightly downwards.
- If it is pulled upwards, the metal clips on the upper side of the center ventilator can be caught by the instrument panel, and if it is pulled out forcefully, the clips may be loosened or damaged.
- If it is inadvertently pulled out in the upward direction, check the metal clips for any looseness or detachment.
- If the center ventilator is dropped or knocked, check it for damage, and looseness or detachment of defroster grille, before reinstalling it.



GI
MA
EM
LC
EC
FE
CL
MT
AT
FA
RA
BR
ST
RS
BT
HA
EL
IDX

INTERIOR TRIM

Side and Floor Trim

CAUTION:

Wrap the tip of flat-bladed screwdriver with a cloth when removing metal clips from garnishes.

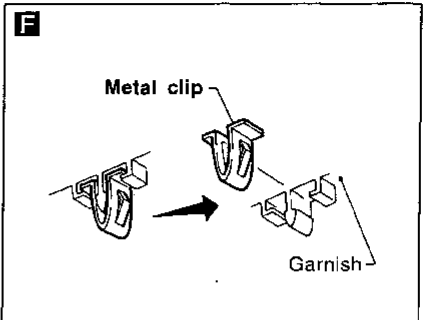
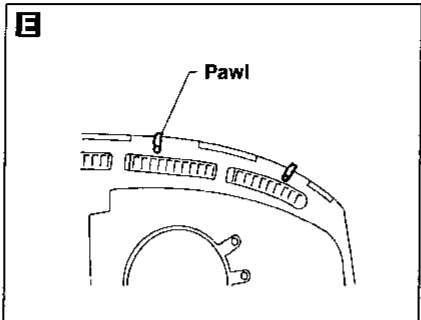
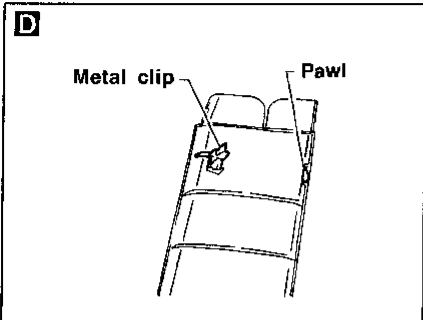
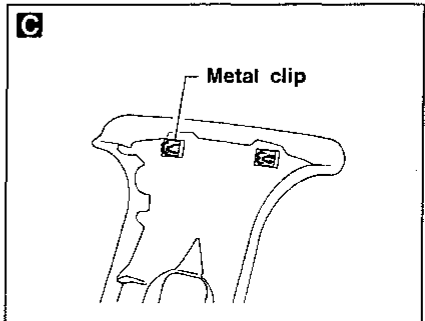
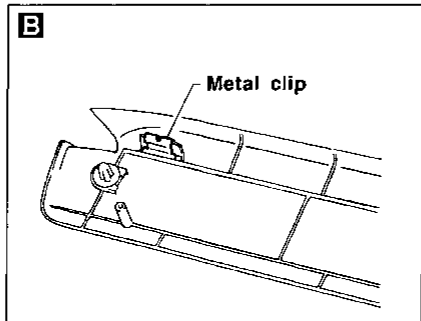
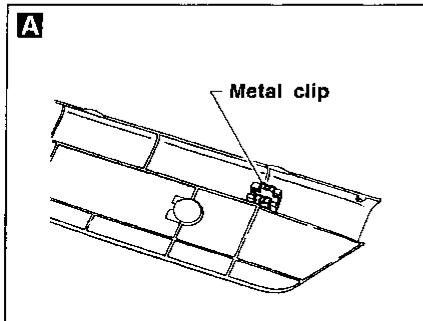
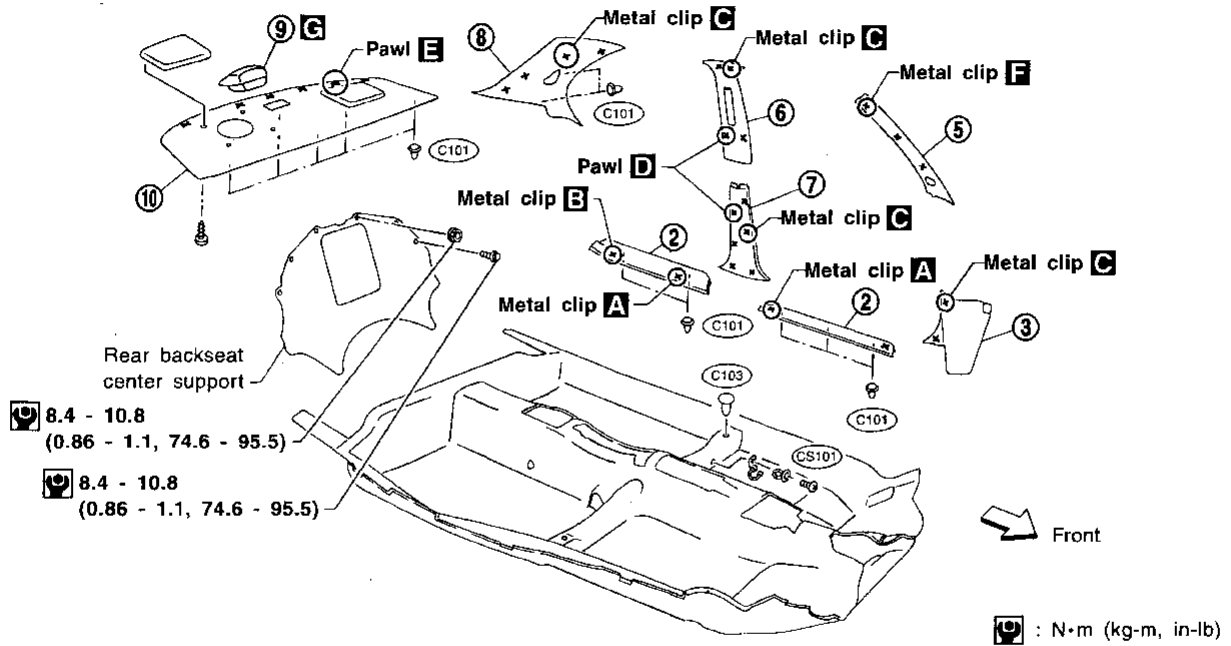
REMOVAL — Body side trim

- ① Remove front and rear seats. Refer to "SEAT" for details, BT-27, 32.
- ② Remove front and rear kicking plates.
- ③ Remove dash side lower finishers.
- ④ Remove front and rear body side welts. Refer to "Body side welt" in "EXTERIOR" for details, BT-23.
- ⑤ Remove front pillar garnishes.
- ⑥ Remove center pillar upper garnishes.
- ⑦ Remove center pillar lower garnishes.
- ⑧ Remove rear pillar garnishes.
- ⑨ Remove high-mounted stop lamp.
- ⑩ Remove rear parcel shelf finisher.

INTERIOR TRIM

Side and Floor Trim (Cont'd)

SEC. 268•284•678•749•769•799



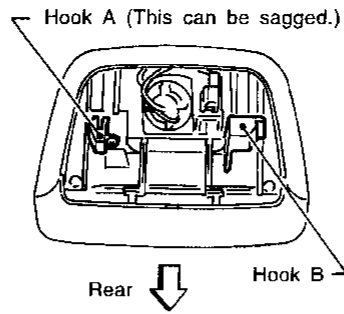
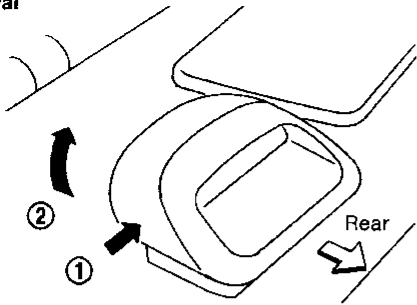
SBT367

GI
MA
EM
LC
EC
FE
CL
MT
AT
FA
RA
BR
ST
RS
BT
HA
EL
IDX

INTERIOR TRIM

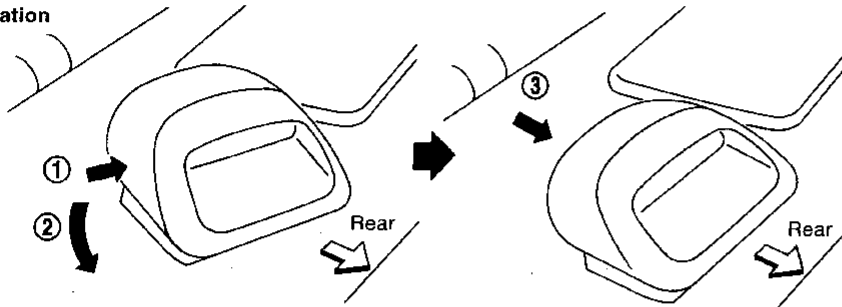
Side and Floor Trim (Cont'd)

Removal



- Be careful not to break the hooks when removing the high-mounted stop lamp.
- When removing, disconnect the high-mounted stop lamp connector.

Installation



SBT366

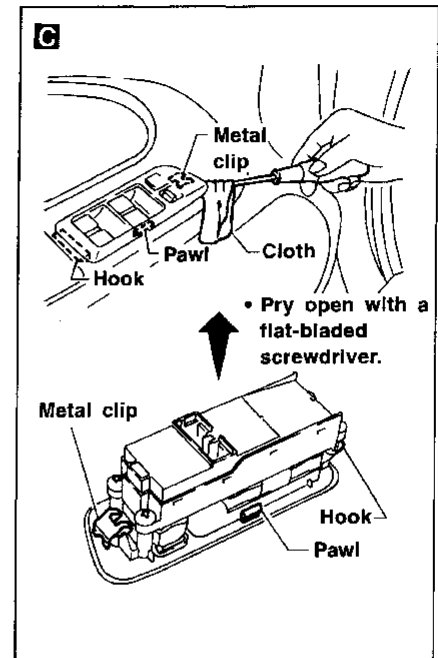
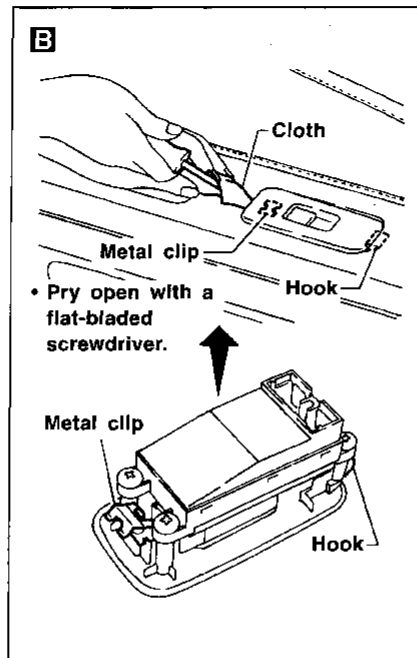
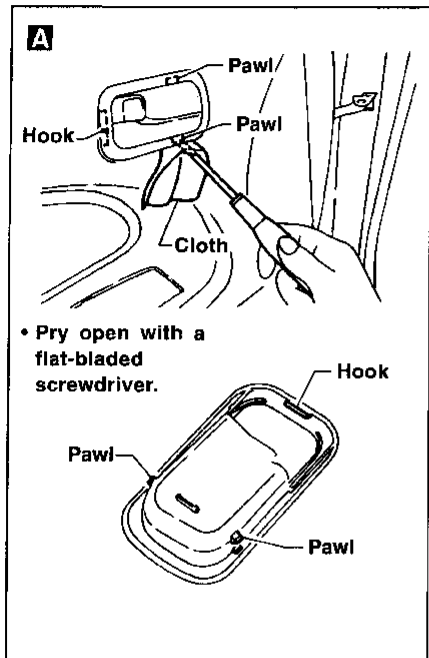
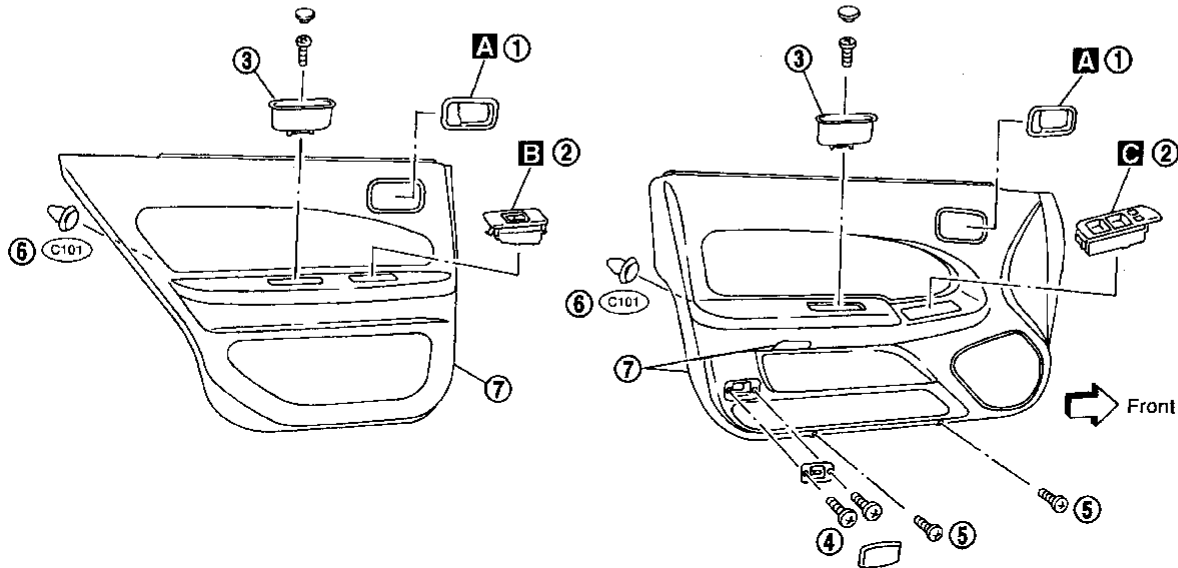
INTERIOR TRIM

Door Trim

Removal — Door trim

- ① Remove inside handle escutcheon.
- ② Remove power window switches, then disconnect the connectors.
- ③ Remove screw securing pull handle, and then remove pull handle.
- ④ Remove step lamp lens and screws securing step lamp, and then disconnect step lamp connector.
- ⑤ Remove screws. (Front door only)
- ⑥ Remove clips securing door finisher.
- ⑦ Lift out door finisher. Disconnect harness connectors.

SEC. 251•267•809•828



SBT368

GI
MA
EM
LC
EC
FE
CL
MT
AT
FA
RA
BR
ST
RS
BT
HA
EL
IDX

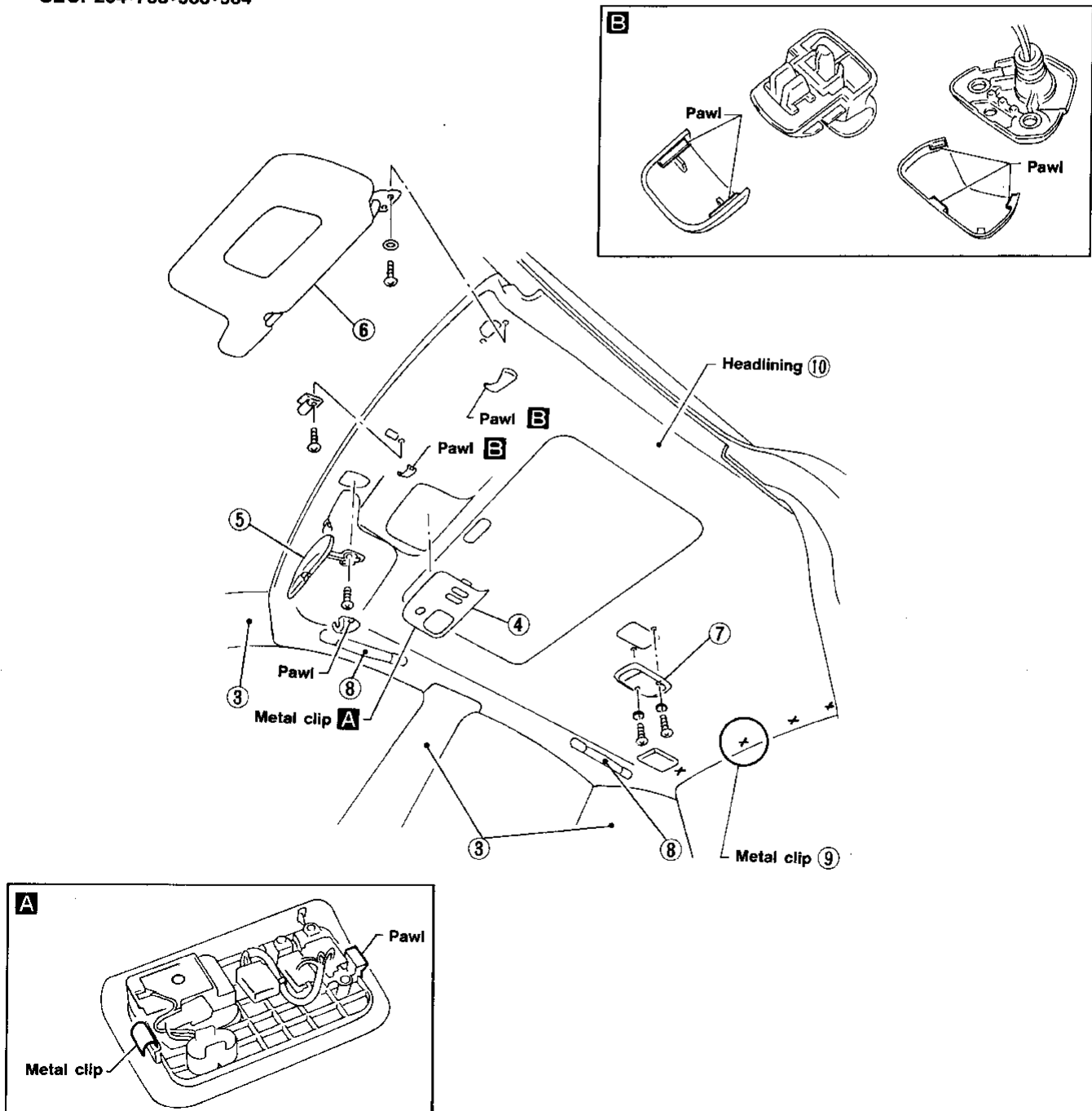
INTERIOR TRIM

Roof Trim

REMOVAL — Headlining

- ① Remove front and rear seats. Refer to "SEAT" for details, BT-27, 32.
- ② Remove front and rear seat belts. Refer to "SEAT BELTS" in RS section for details.
- ③ Remove body side trim. Refer to "Side and Floor Trim" for details, BT-16.
- ④ Remove sunroof switch or spot lamp switch.
- ⑤ Remove inside mirror assembly.
- ⑥ Remove sun visors.
- ⑦ Remove interior lamp assembly.
- ⑧ Remove assist grips.
- ⑨ Remove metal clips securing headlining.
- ⑩ Remove headlining from vehicle through front passenger side.

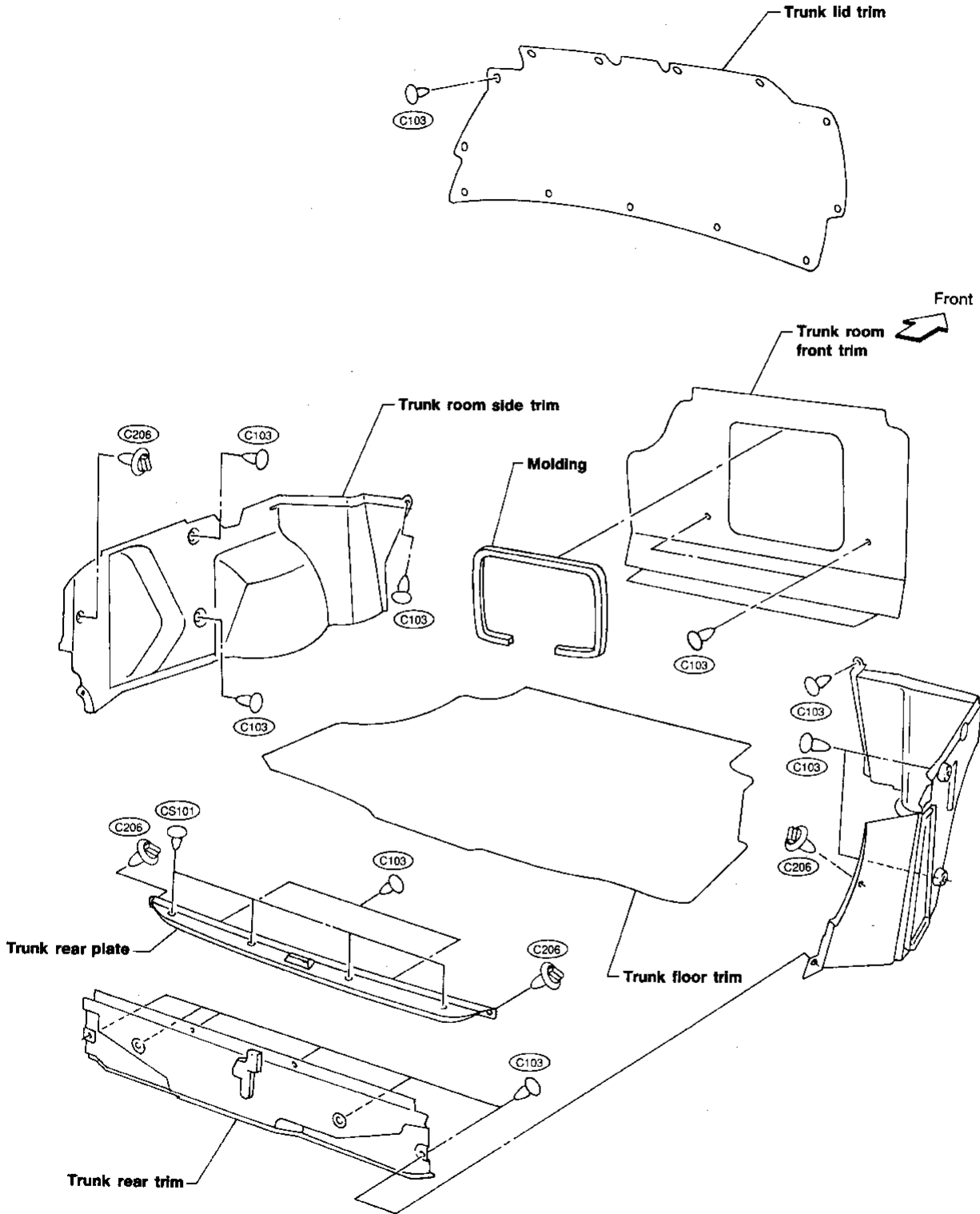
SEC. 264-738-963-964



INTERIOR TRIM

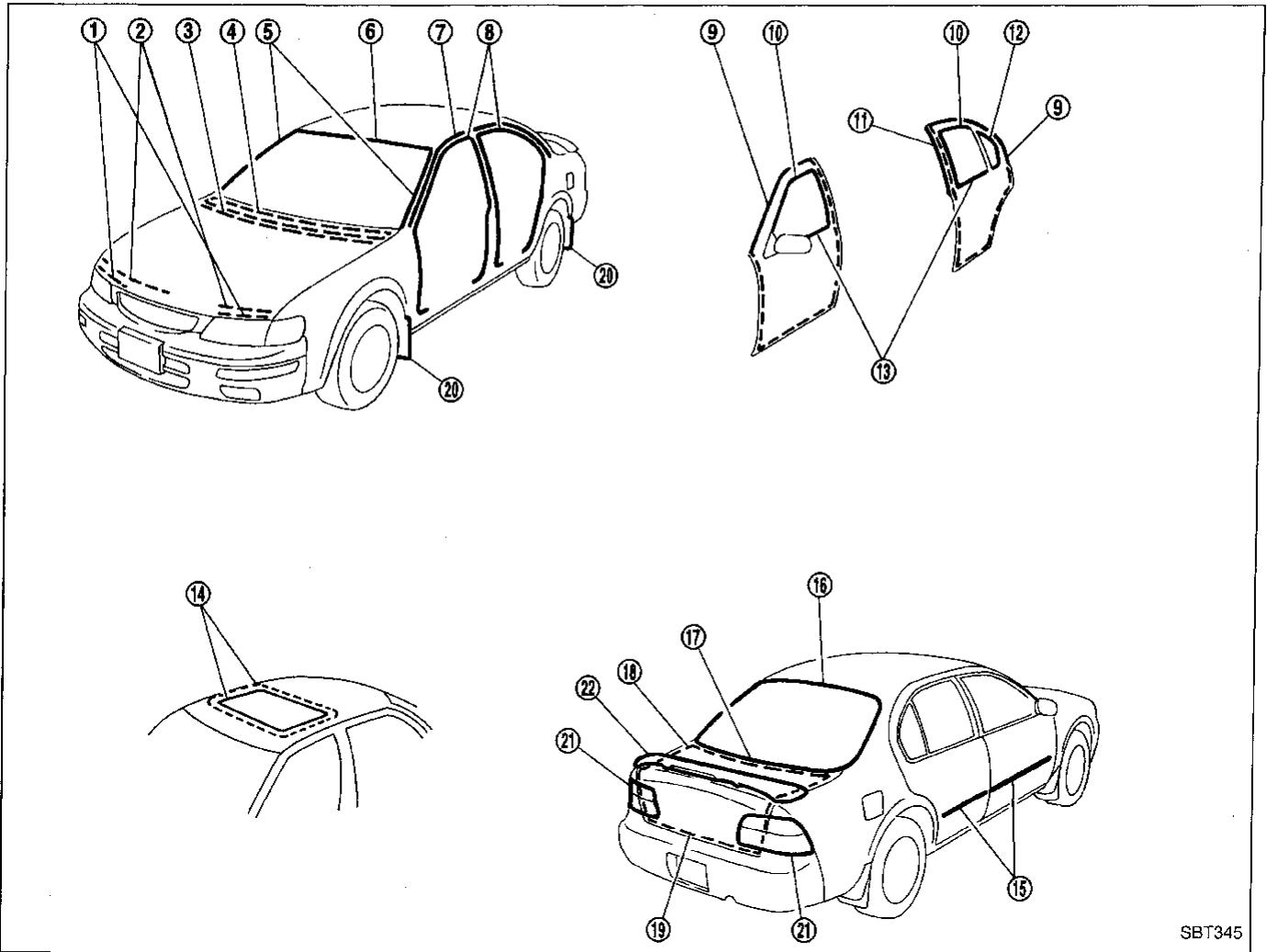
Trunk Room Trim

SEC. 849



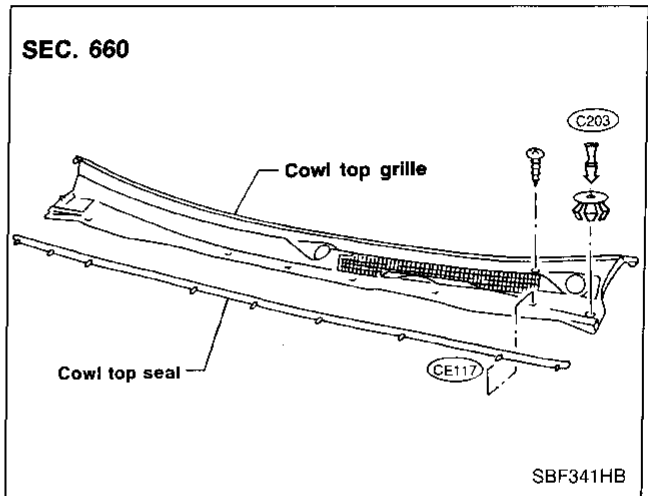
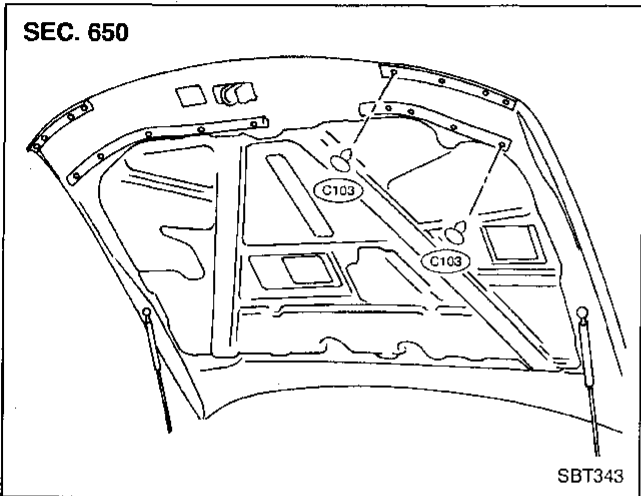
GI
MA
EM
LC
EC
FE
CL
MT
AT
FA
RA
BR
ST
RS
BT
HA
EL
IDX

EXTERIOR



① ② Hood molding and hood front seal

③ ④ Cowl top seal and cowl top grille

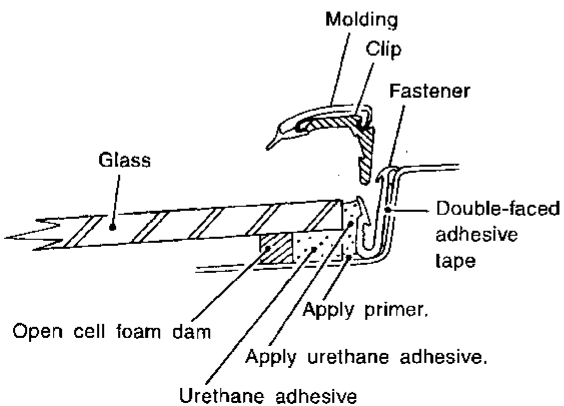
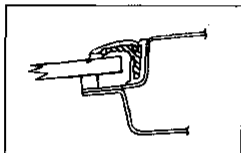


⑤ Windshield side molding
Mounted with screws.

⑥ Windshield upper molding

SEC. 720

1. Cut off urethane adhesive at glass end.
2. Remove old urethane adhesive from panel surface.
3. Set molding fastener and apply primer to body panel, and apply urethane adhesive to body.

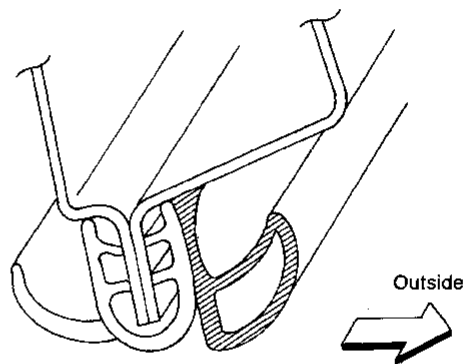


4. Install molding by aligning the molding mark located on center with vehicle center. Be sure to install tightly so that there is no gap around the corner.

SBF342HF

⑧ Body side welt

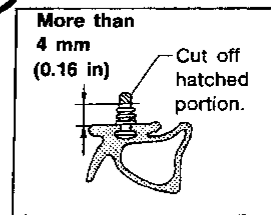
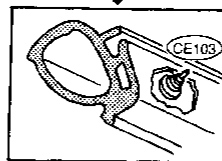
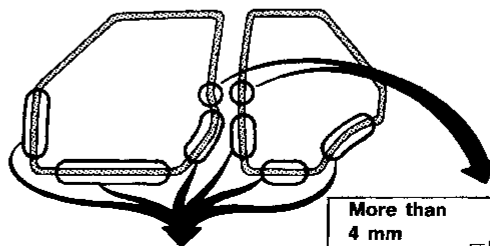
SEC. 767



SBF454EA

⑨ Door weatherstrip

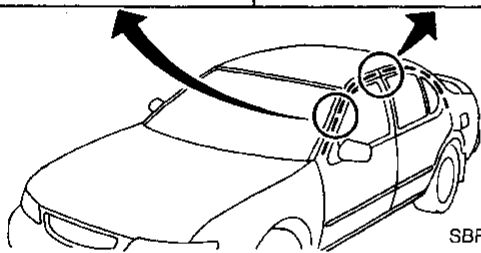
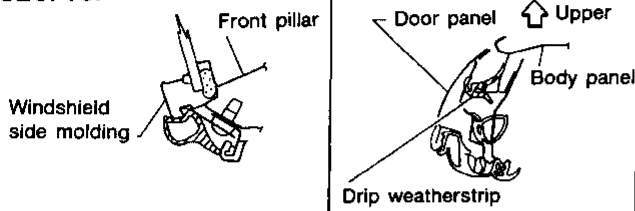
SEC. 800-820



SBF455EA

⑦ Drip weatherstrip

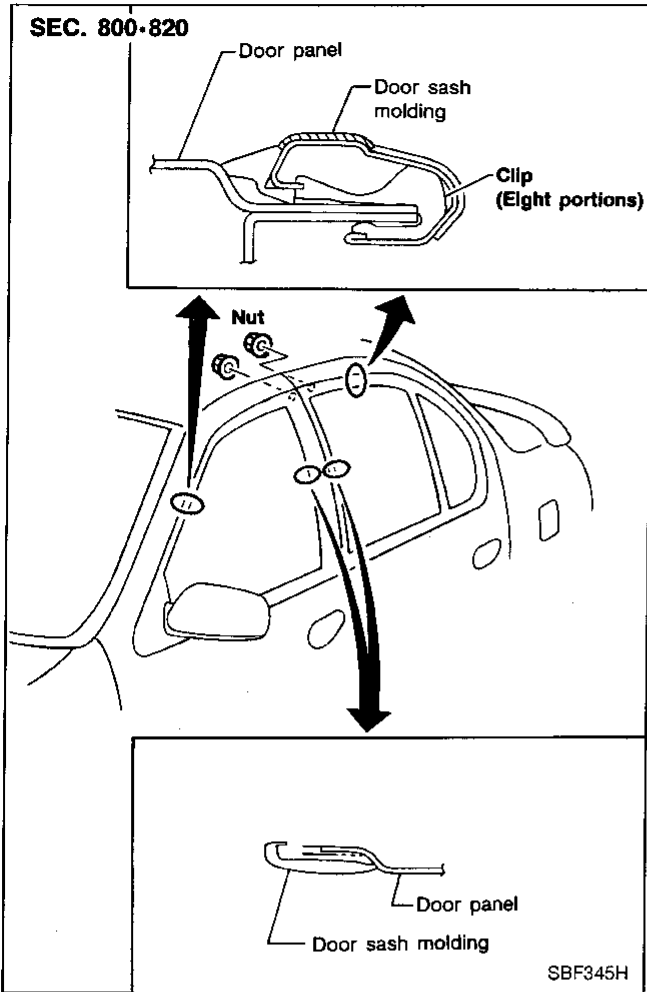
SEC. 767



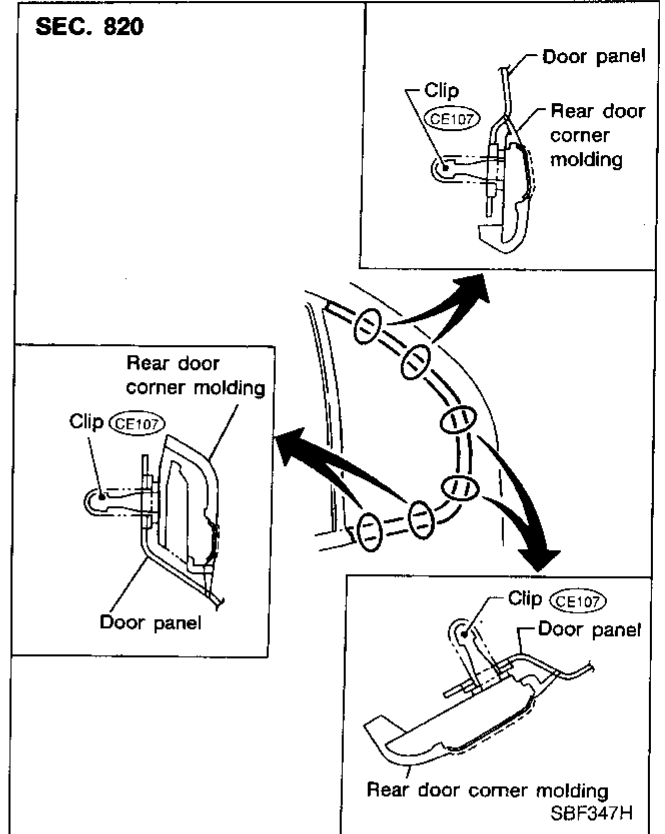
SBF343HA

GI
MA
EM
LC
EC
FE
CL
MT
AT
FA
RA
BR
ST
RS
BT
HA
EL
IDX

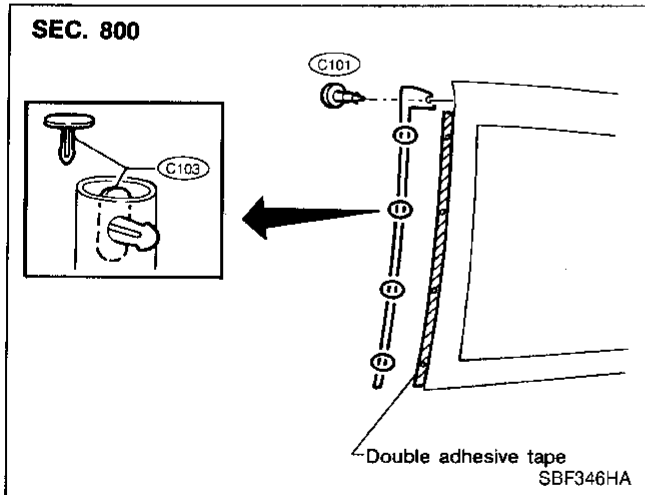
10 Door sash molding



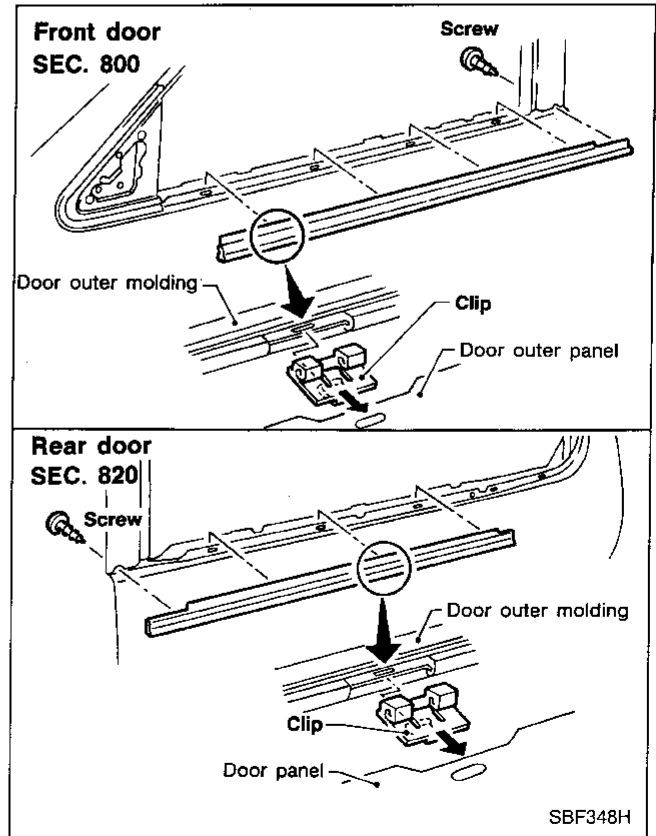
12 Rear door corner molding



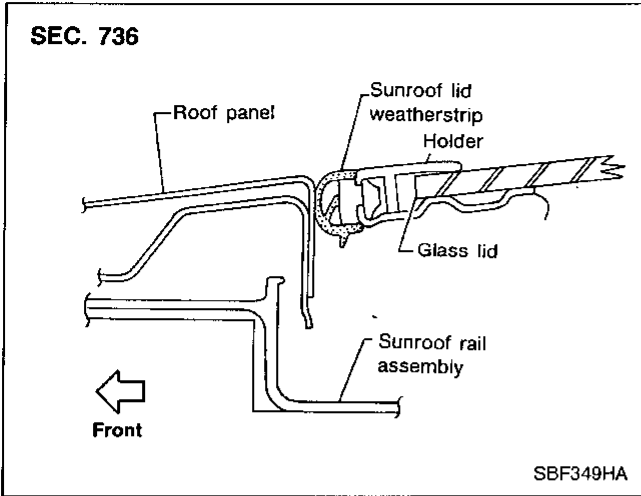
11 Front door parting seal



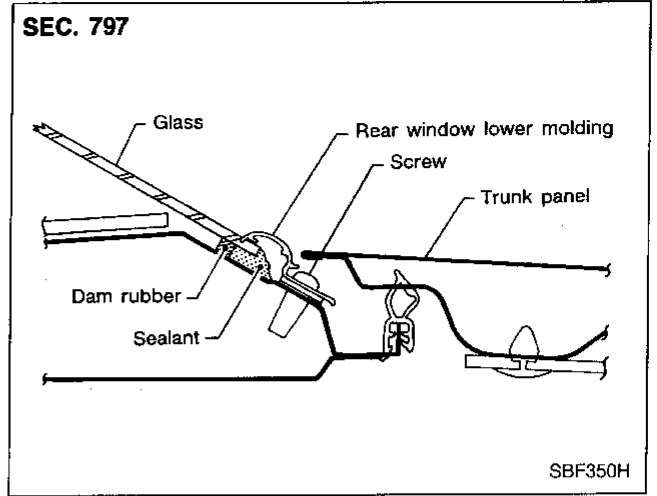
13 Door outside molding



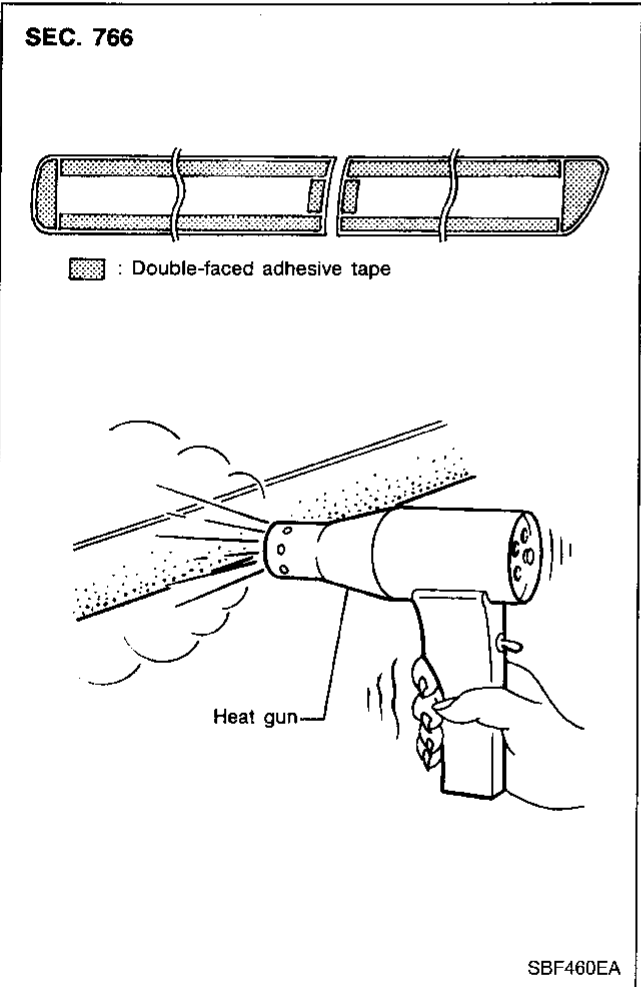
14 Sunroof lid weatherstrip



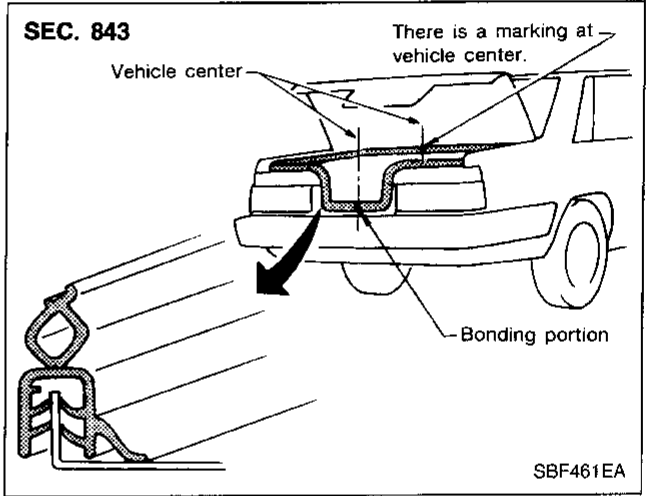
18 Rear window lower molding



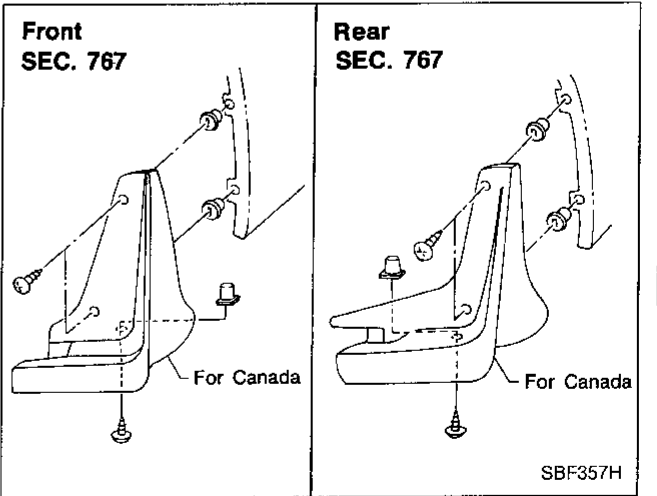
15 Side guard molding



19 Trunk lid weatherstrip



20 Mudguard



16 17 Rear window upper molding and side molding

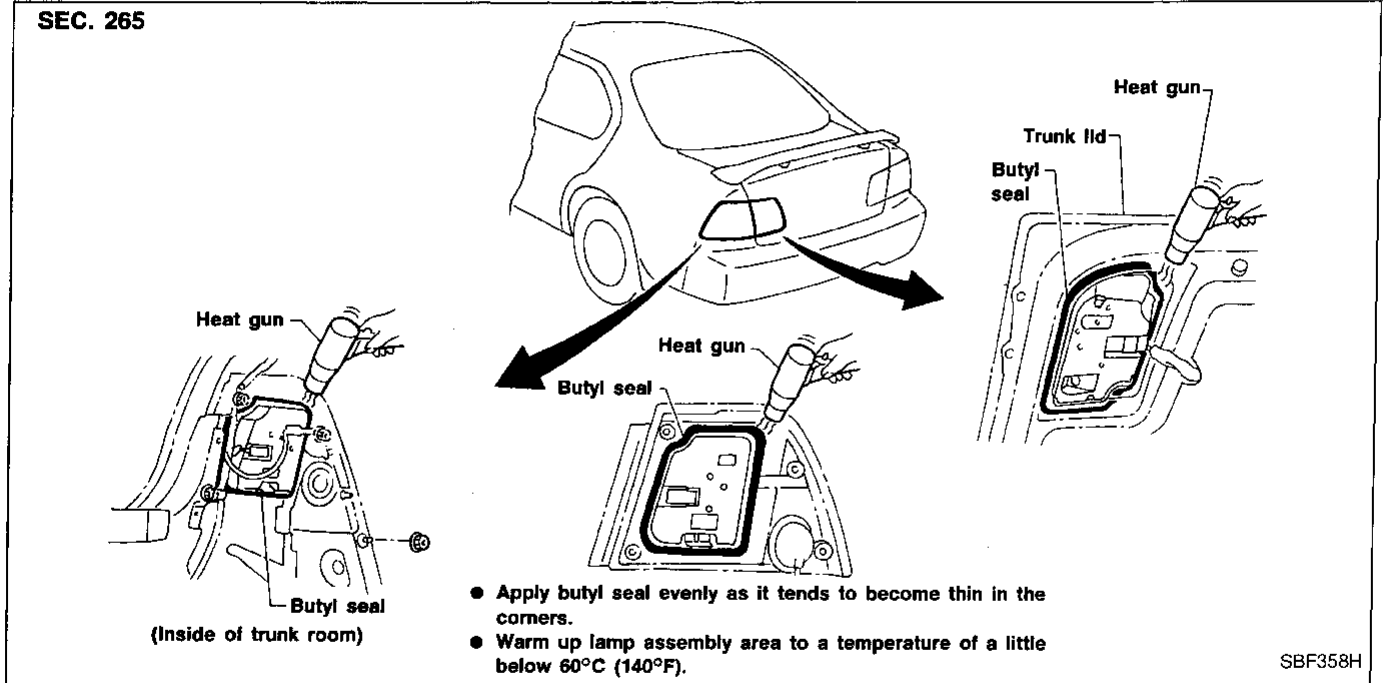
Basically the same as windshield upper molding. Refer to 6 Windshield upper molding.

GI
MA
EM
LC
EC
FE
CL
MT
AT
FA
RA
BR
ST
RS
BT
HA
EL
IDX

EXTERIOR

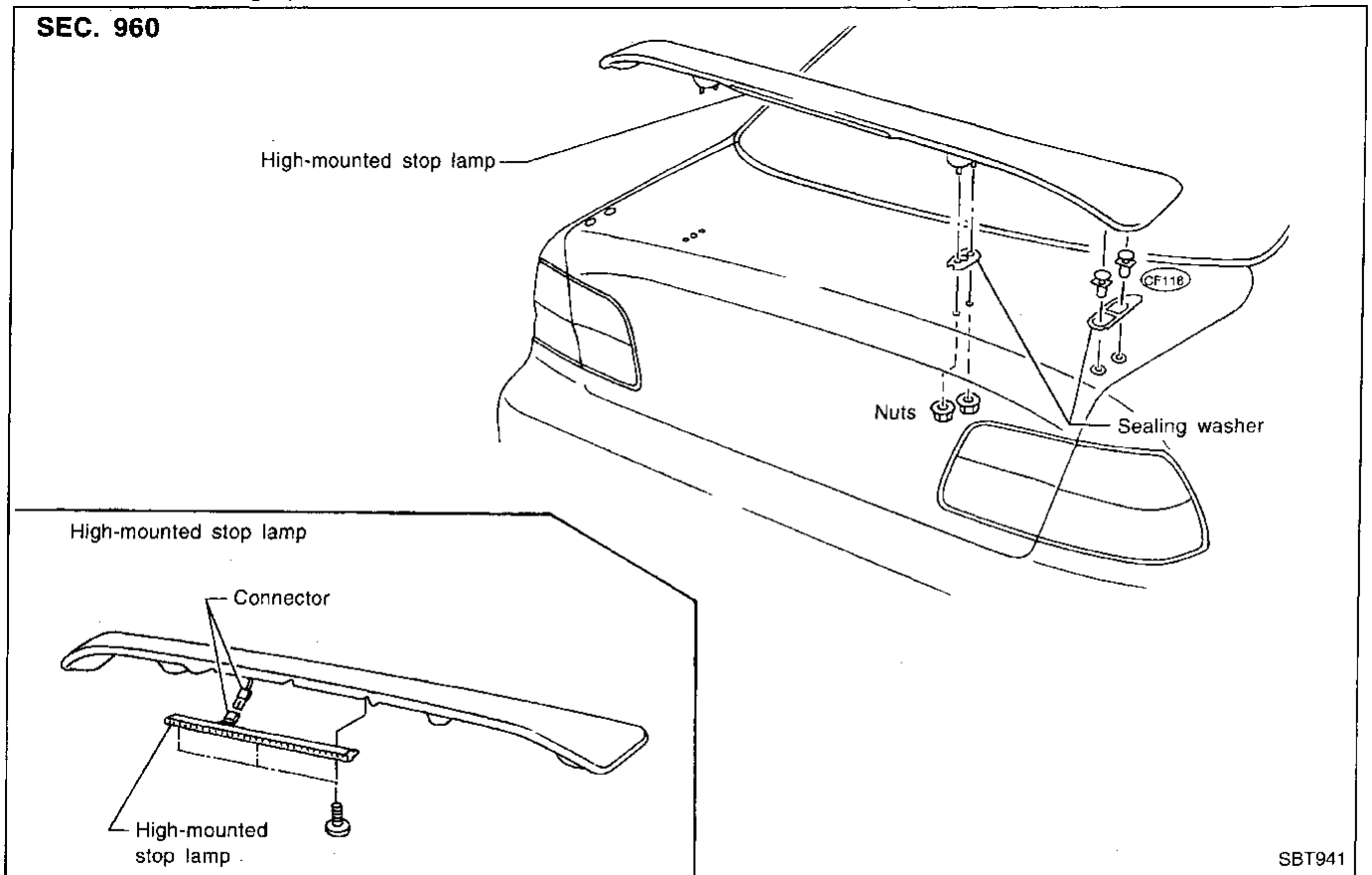
②1 Rear combination lamp

- Rear combination lamps are installed with nuts and butyl seal.



②2 Rear air spoiler

- When removing, first disconnect high-mounted stop lamp connector located on the back of trunk lid, then remove air spoiler taking care the stop lamp harness does not get caught.
- When installing, make sure that there are not gaps or waves at ends of air spoiler.
- Before installing spoiler, clean and remove oil from surface where spoiler will be mounted.



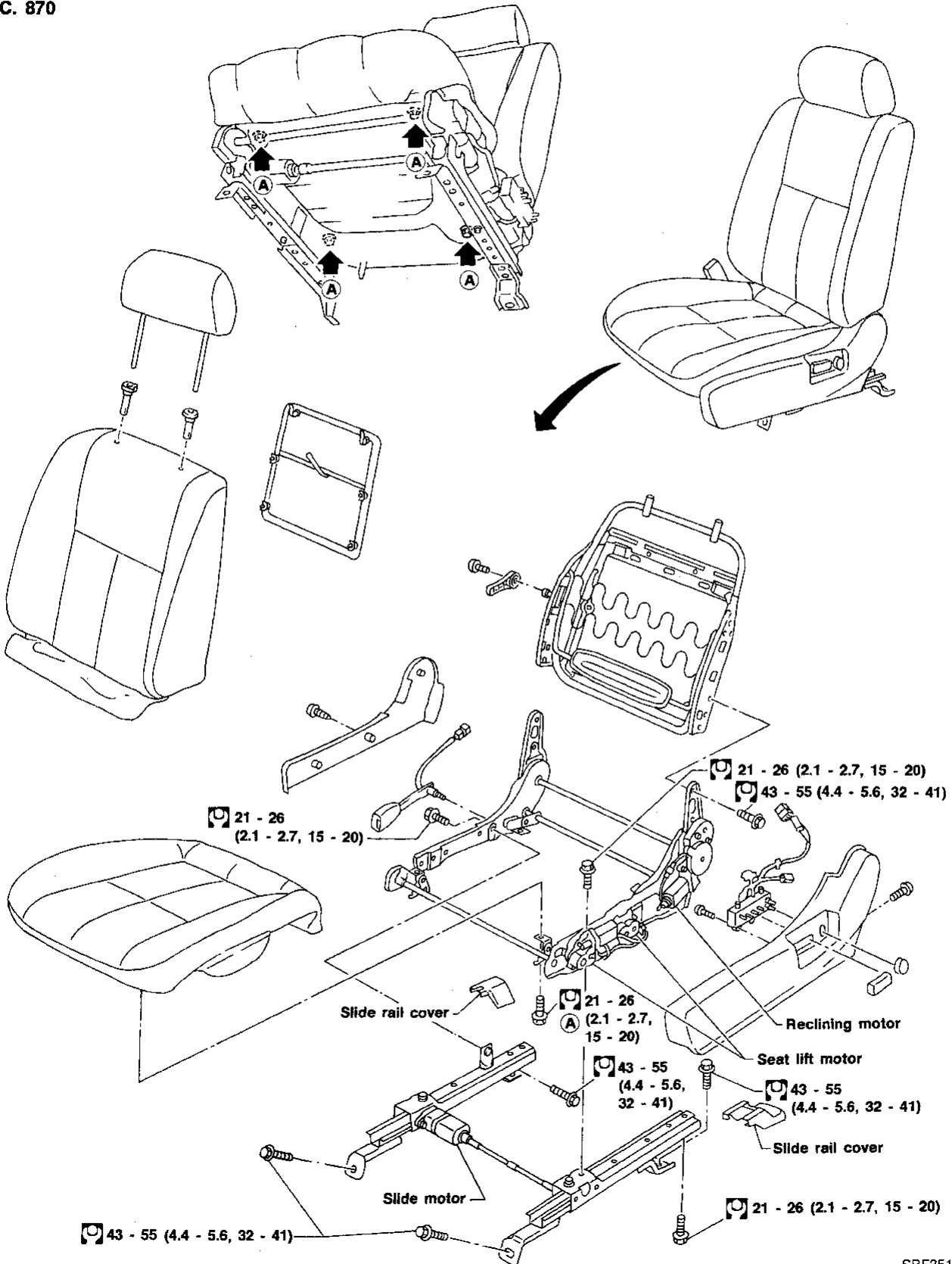
SEAT

- When removing or installing the seat trim, carefully handle it to keep dirt out and avoid damage.
- ★ For Wiring Diagram, refer to "POWER SEAT" in EL section.

Front Seat

POWER SEAT

SEC. 870



GI

MA

EM

LC

EC

FE

CL

MT

AT

FA

RA

BR

ST

RS

BT

HA

EL

IDX

: N·m (kg·m, ft·lb)

SBF351H

BT-27

SEAT

Front Seat (Cont'd)

POWER SEAT (With SRS side air bag)

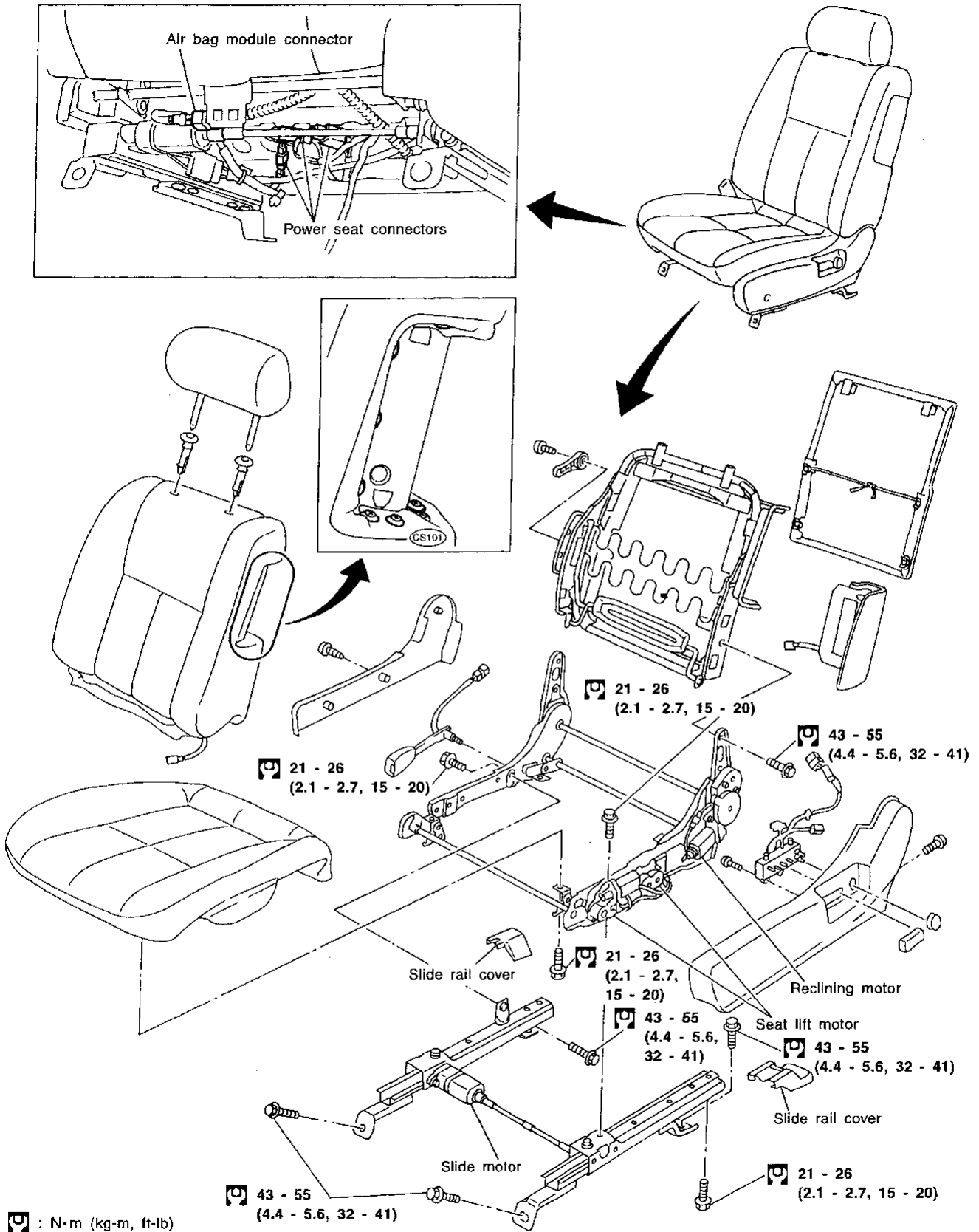
CAUTION:

- **Before removing the front seat, turn the ignition switch off, disconnect both battery cables and wait at least 3 minutes.**
- **When checking the power seat circuit for continuity using a circuit tester, do not confuse its connector with the side air bag module connector. Such an error may cause the air bag to deploy.**
- **Do not drop, tilt, or bump the side air bag module installed in the seat. Always handle it with care.**

SEAT

Front Seat (Cont'd)

SEC. 870



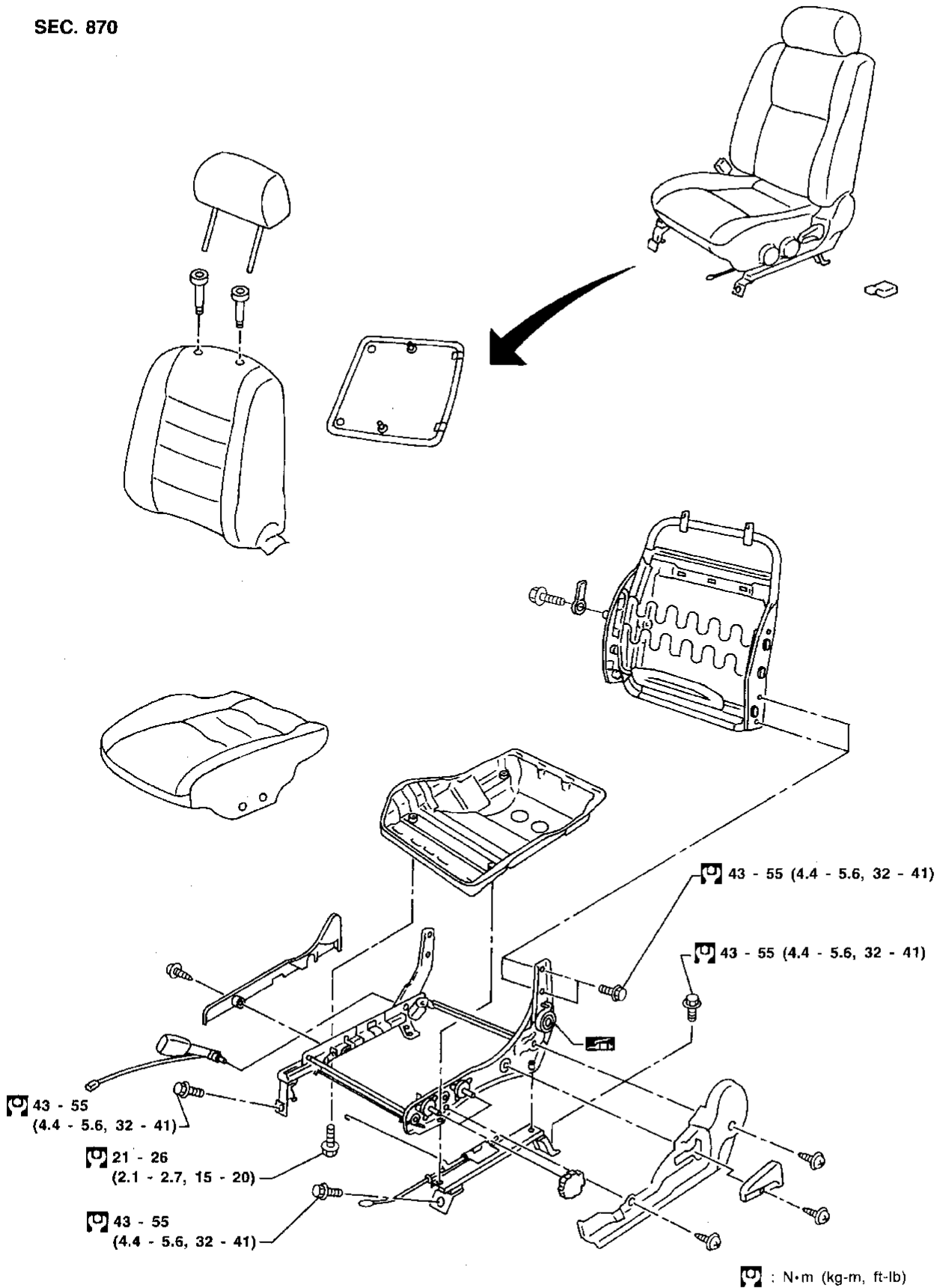
GI
 MA
 EM
 LC
 EC
 FE
 CL
 MT
 AT
 FA
 RA
 BR
 ST
 RS
BT
 HA
 EL
 IDX

SEAT

Front Seat (Cont'd)

MANUAL SEAT

SEC. 870



Heated Seat

- When handling seat, be extremely careful not to scratch heating unit.
- To replace heating unit, seat trim and pad should be separated.
- Do not use any organic solvent, such as thinner, benzene, alcohol, gasoline, etc. to clean trims.
- ★ For Wiring Diagram, refer to "HEATED SEAT" in EL section.

Seatback heating unit removal & installation

SEC. 870

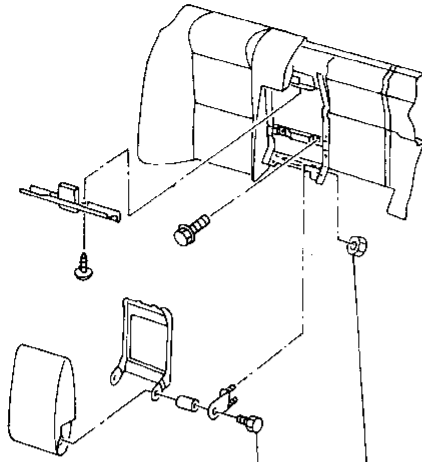
Trim temperature °C (°F)	Increasing to 35 - 45 (95 - 113)	Decreasing to 15 - 25 (59 - 77)
Thermostat operation	OFF	ON


SBF424HA


GI
 MA
 EM
 LC
 EC
 FE
 CL
 MT
 AT
 FA
 RA
 BR
 ST
 RS
BT
 HA
 EL
 IDX

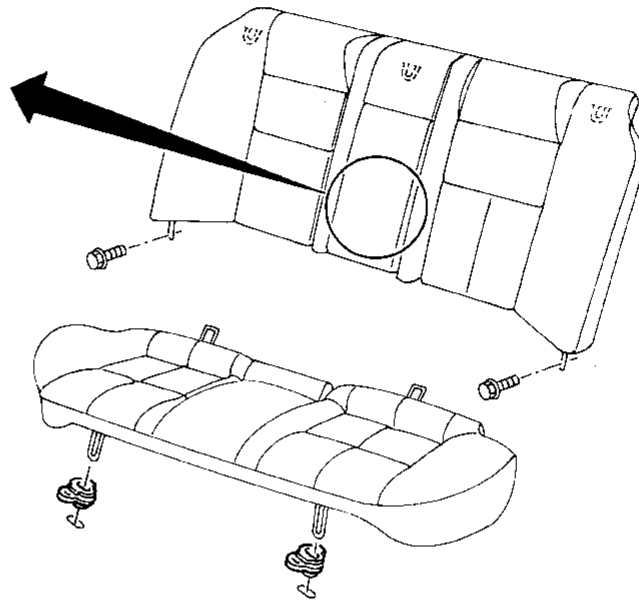
Rear Seat


SEC. 880



 5.1 - 6.5 (0.52 - 0.66, 45.1 - 57.3)

 5.1 - 6.5 (0.52 - 0.66, 45.1 - 57.3)



 : N·m (kg·m, in·lb)

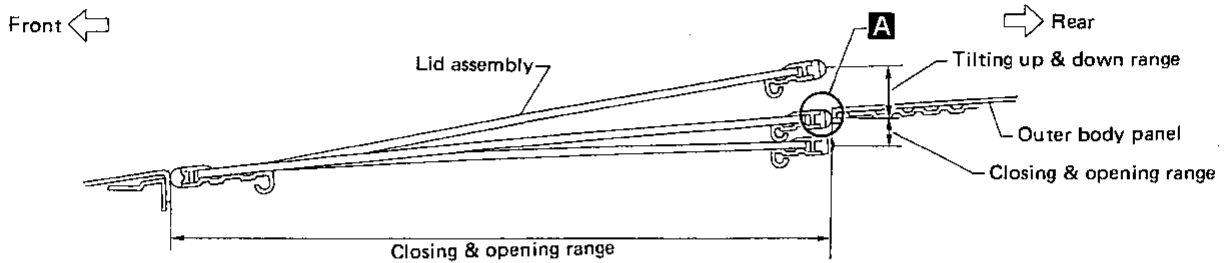
MBT077AA

SUNROOF

ADJUSTMENT

Install motor & limit SW assembly and sunroof rail assembly in the following sequence:

1. Arrange equal lengths of link and wire assemblies on both sides of sunroof opening.
2. Connect sunroof connector to sunroof switch and positive (+) power supply.
3. Set lid assembly to fully closed position **A** by operating OPEN switch and TILT switch.
4. Fit outer side of lid assembly to the surface of roof on body outer panel.
5. Remove motor, and keep OPEN switch pressed until motor pinion gear reaches the end of its rotating range.
6. Install motor.
7. Check that motor drive gear fits properly in wires.
8. Press TILT-UP switch to check lid assembly for normal tilting.
9. Check sunroof lid assembly for normal operations (tilt-up, tilt-down, open, and close).



SBF920F

GI

MA

EM

LC

EC

FE

CL

MT

AT

FA

RA

BR

ST

RS

BT

HA

EL

IDX

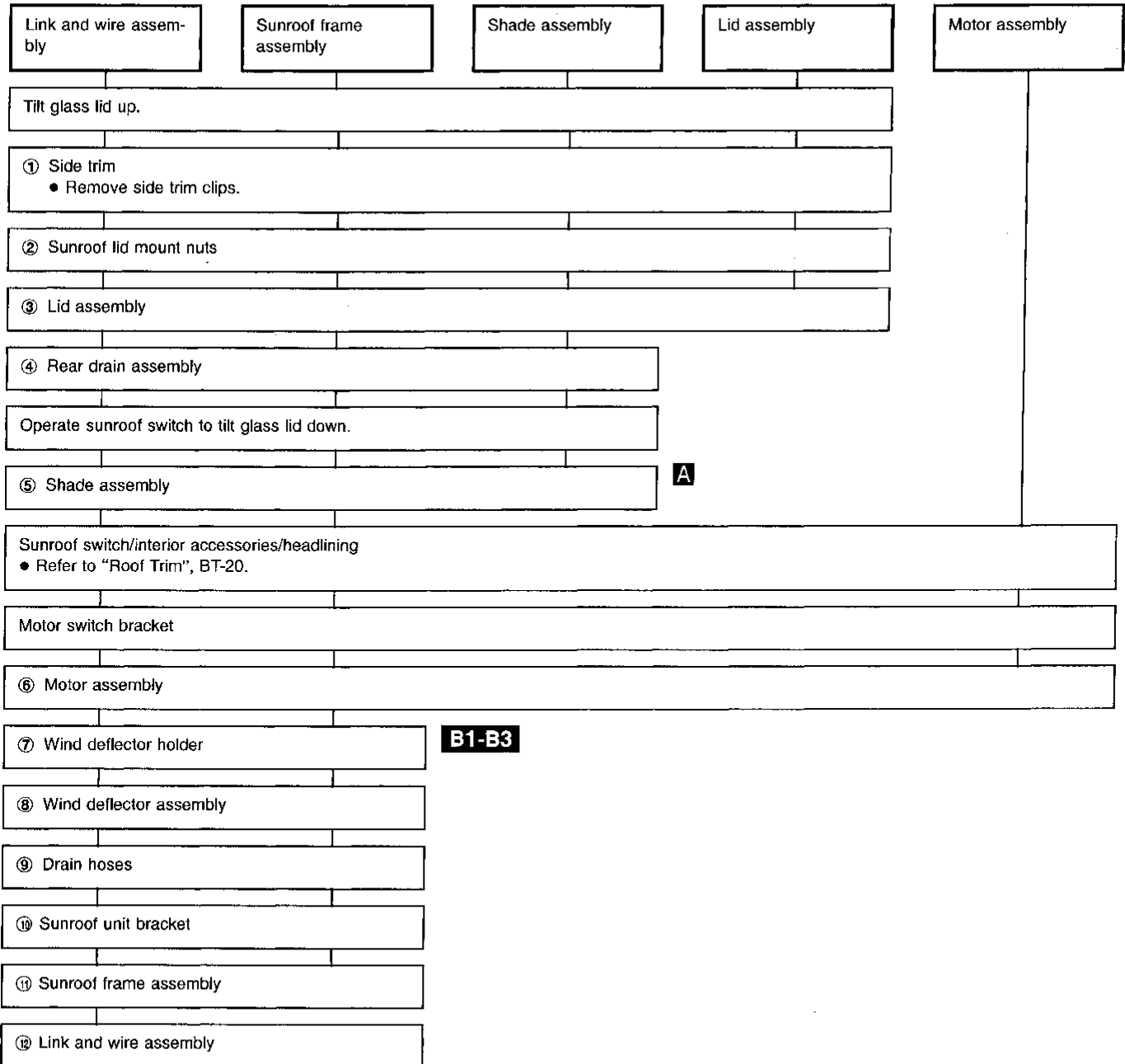
SUNROOF

REMOVAL

- After any adjustment, check sunroof operation and lid alignment.
- Handle finisher plate and glass lid with care so not to cause damage.
- It is desirable for easy installation to mark each point before removal.

CAUTION:

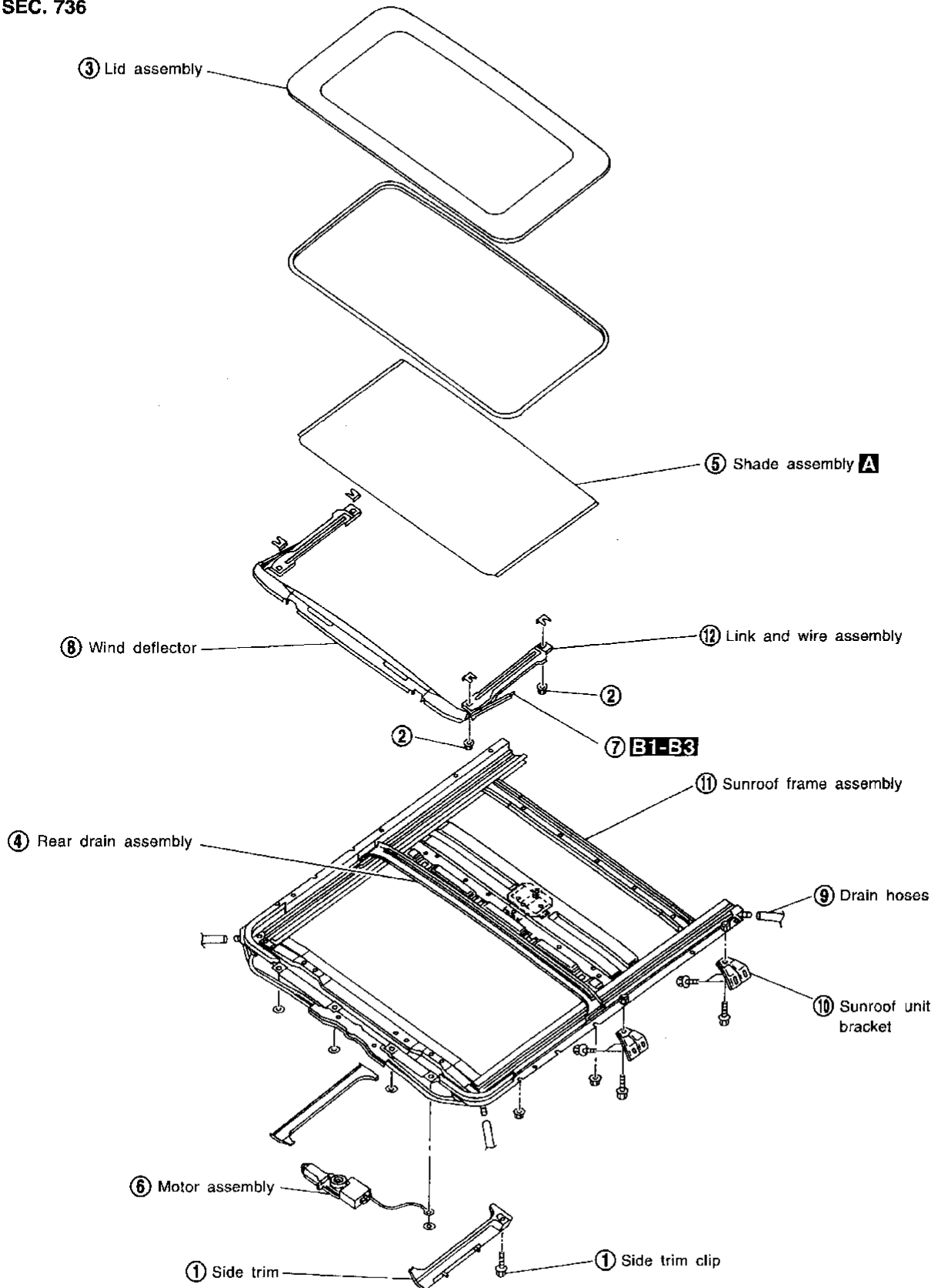
Always work with a helper.



SUNROOF

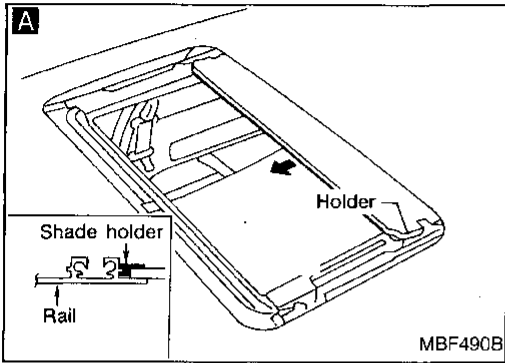
★ For Wiring Diagram, refer to "ELECTRIC SUNROOF" in EL section.

SEC. 736

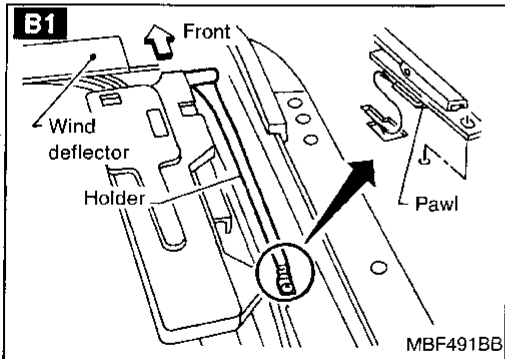


GI
MA
EM
LC
EC
FE
CL
MT
AT
FA
RA
BR
ST
RS
BT
HA
EL
IDX

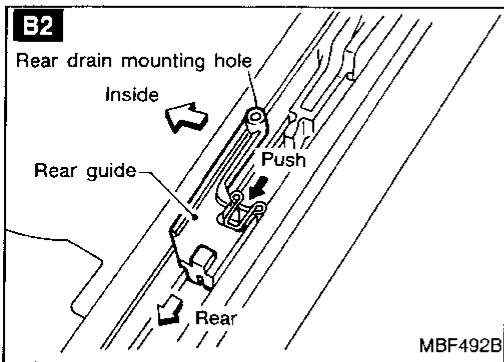
SUNROOF



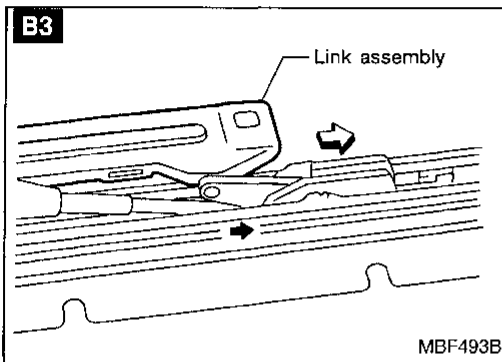
- A** Using flat-bladed screwdriver, pry shade assembly holder off rail. Then pull shade assembly forward to remove it from rail.



- B1** Disengage pawls from rail, then remove wind deflector holder.



- B2** Using flat-bladed screwdriver, pry stopper spring off rail groove. Then slide rear guide backward to remove it from rail.



- B3** Remove wire and link assembly from rail while pushing link back with flat-bladed screwdriver.

SUNROOF

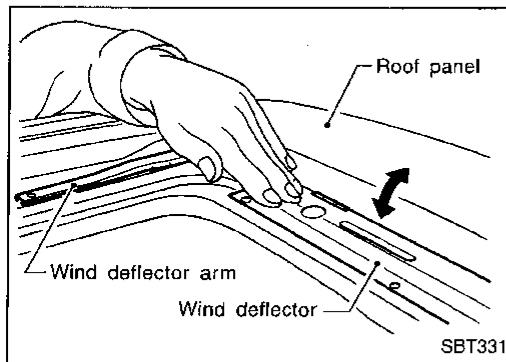
Trouble Diagnoses

DIAGNOSTIC TABLE

NOTE: For diagnosing electric problem, refer to "ELECTRIC SUNROOF" in EL section.

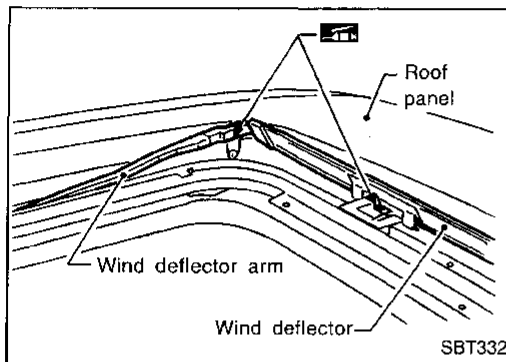
		Check items (Components)				
		Wind deflector	Adjustment	Drain hoses	Weatherstrip	Link and wire assembly
	Reference page	BT-37	BT-38	BT-39	BT-39	BT-40
Symptom	Excessive wind noise	1	2		3	
	Water leaks		1	2	3	
	Sunroof rattles		1	4	2	3
	Excessive operation noise		1		2	3

The numbers in this table mean checking order.



WIND DEFLECTOR

1. Open lid.
2. Check visually for proper installation.
3. Check to ensure a proper amount of petroleum jelly has been applied to wind deflector connection points; apply if necessary.
4. Check that wind deflector is properly retracted by hand. If it is not, remove and visually check condition. (Refer to removal procedures, BT-34.) If wind deflector is damaged, replace with new one. If wind deflector is not damaged, re-install properly.



GI
MA
EM
LC
EC
FE
CL
MT
AT
FA
RA
BR
ST
RS
BT
HA
EL
IDX

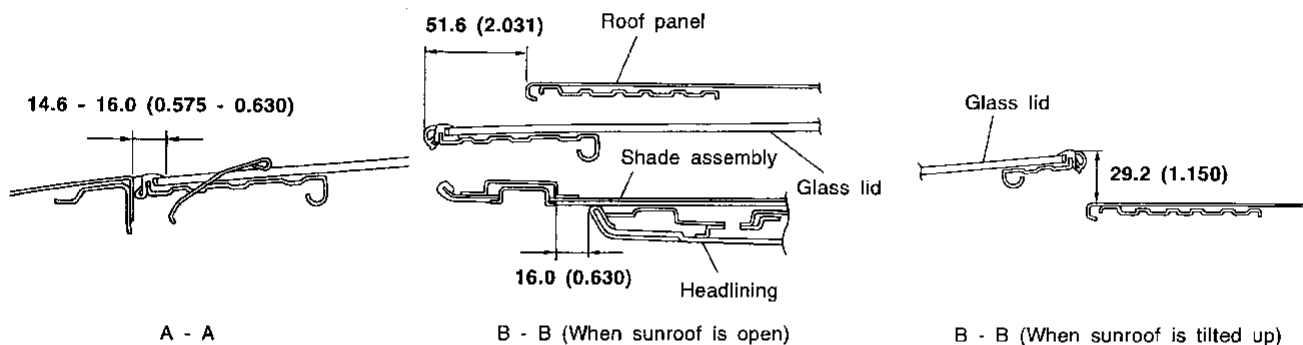
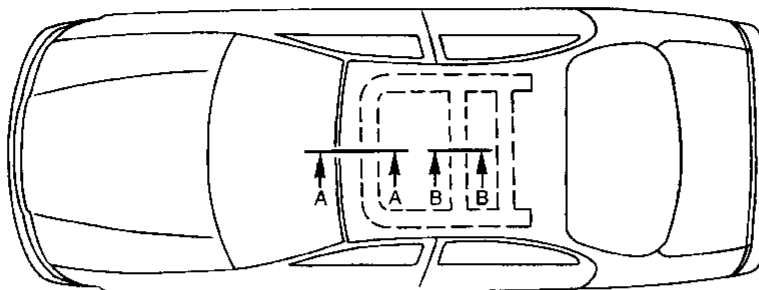
SUNROOF

Trouble Diagnoses (Cont'd)

ADJUSTMENT

If any gap or height difference between glass lid and roof is found, check glass lid fit and adjust as follows:

SEC. 736



Unit: mm (in)

SBT482

Gap adjustment

1. Open shade assembly.
2. Tilt glass lid up then remove side trim.
3. Loosen glass lid securing nuts (3 each on left and right sides), then tilt glass lid down.
4. Adjust glass lid from outside of vehicle so it resembles "A-A" as shown in the figure above.
5. Tilt glass lid up and down until it is adjusted to "B-B" as shown in the figure above.
6. After adjusting glass lid, tilt glass lid up and tighten nuts.
7. Tilt glass lid up and down several times to check that it moves smoothly.

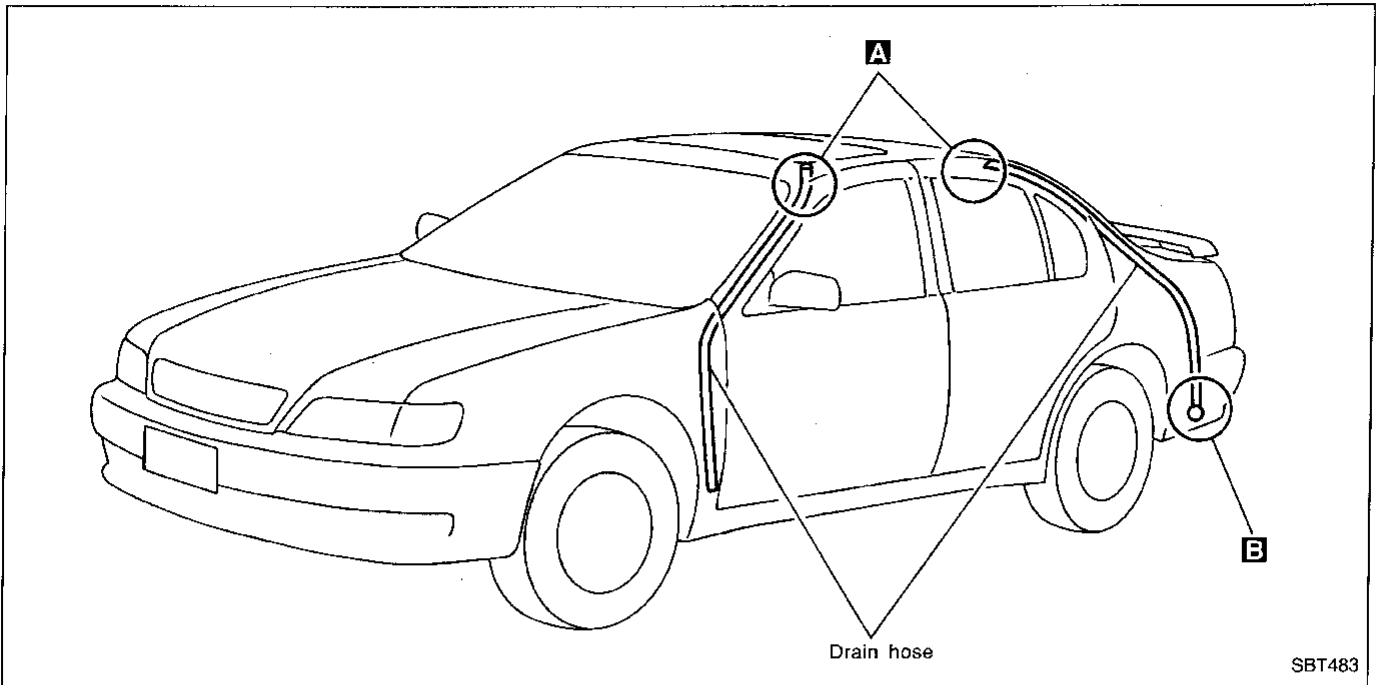
Height difference adjustment

1. Tilt glass lid up and down.
2. Check height difference between roof panel and glass lid to see if it is as "A-A" as shown in the figure above.
3. If necessary, adjust it by using one of following procedures.
 - Adjust by adding or removing adjustment shim(s) between glass lid and link assembly.
 - If glass lid protrudes above roof panel, add shim(s) or plain washer(s) at sunroof mounting bracket or stud bolt locations to adjust sunroof installation as required.

SUNROOF

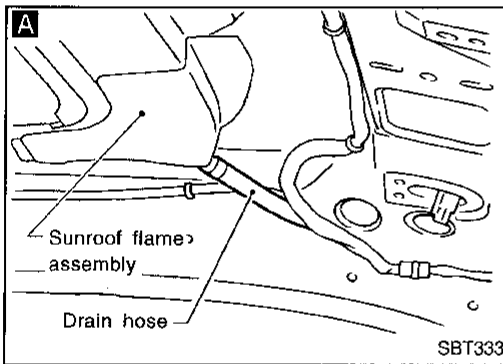
Trouble Diagnoses (Cont'd)

DRAIN HOSES

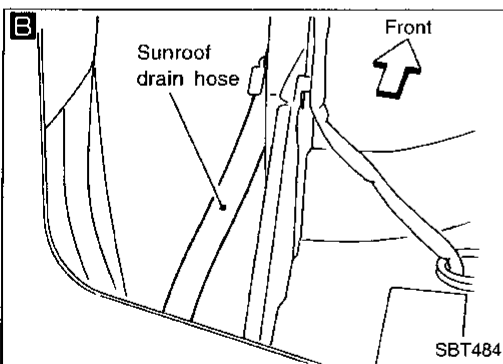


SBT483

GI
MA
EM
LC
EC
FE
CL



SBT333



SBT484

1. Remove headlining to access drain hose connections. (Refer to "REMOVAL — Headlining" in "INTERIOR TRIM", BT-20, for detail.)
2. Check visually for proper connections, damage or deterioration. **A** (The figure shows only the front side.)

MT
AT
FA

3. If leakage occurs around luggage room, remove luggage room side trim and check connecting area. Check for proper connection, damage or tear. **B**
4. Remove drain hoses and check visually for any damage, cracks, or deterioration.
5. Pour water into drain hoses and find damaged portion.
 - If any damaged portion is found at each step, replace the damaged part.

RA
BR
ST
RS

BT

HA

WEATHERSTRIP

- In the case of leakage around glass lid, close glass lid and pour water over glass lid to find damaged or gap portion.
1. Remove glass lid assembly. (Refer to removal procedures, BT-34, for details.)
 2. Visually check weatherstrip for proper installation. If a gap exists between glass lid and weatherstrip, check for sufficient amount of butyl seal. If required, remove weatherstrip and apply butyl seal.
- Refer to "EXTERIOR", BT-22, for details.

EL
IDX

SUNROOF

Trouble Diagnoses (Cont'd)

3. Check weatherstrip visually for any damage, deterioration, or flattening.
 - If any damage is found, replace weatherstrip.

CAUTION:

Do not remove weatherstrip except when replacing, or filling up butyl seal.

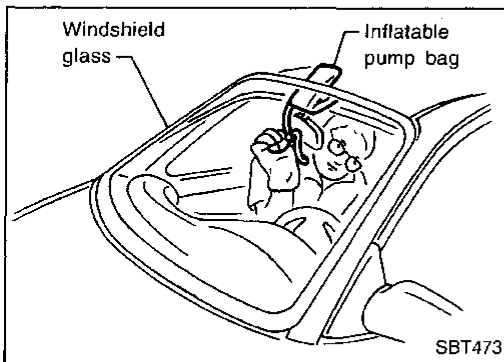
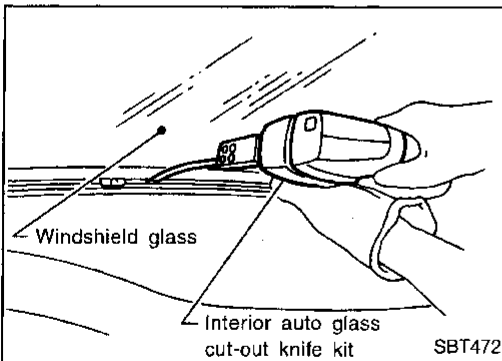
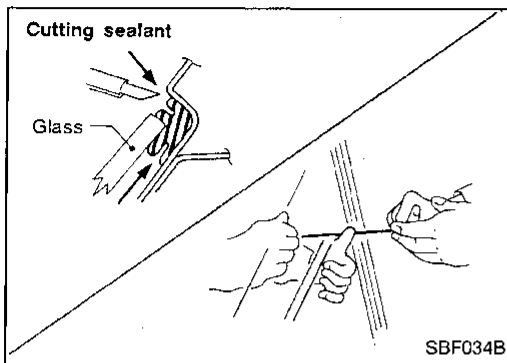
LINK AND WIRE ASSEMBLY

NOTE:

Before replacing a suspect part, carefully ensure it is the source of noise being experienced.

1. Check link to determine if coating film has peeled off to such an extent that substrate is visible. Check also to determine if link is the source of noise. If it is, replace it.
2. Visually check to determine if a sufficient amount of petroleum jelly has been applied to wire or rail groove. If not, add petroleum jelly as required.
3. Check wire for any damage or deterioration. If any damage is found, remove rear guide (refer to removal procedures, BT-34, for details), then replace wire.

WINDSHIELD AND WINDOWS



REMOVAL

After removing moldings, remove glass using piano wire or power cutting tool and an inflatable pump bag.

WARNING:

When cutting the glass from the vehicle, always wear safety glasses and heavy gloves to help prevent glass splinters from entering your eyes or cutting your hands.

CAUTION:

- Be careful not to scratch the glass when removing.
- Do not set or stand the glass on its edge. Small chips may develop into cracks.

INSTALLATION

- Use a genuine Nissan Urethane Adhesive Kit or equivalent and follow the instructions furnished with it.
- While the urethane adhesive is curing, open a door window. This will prevent the glass from being forced out by passenger compartment air pressure when a door is closed.
- The molding must be installed securely so that it is in position and leaves no gap.
- Inform the customer that the vehicle should remain stationary until the urethane adhesive has completely cured (preferably 24 hours). Curing time varies with temperature and humidity.

WARNING:

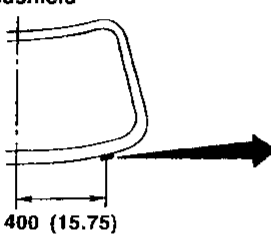
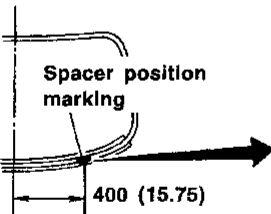
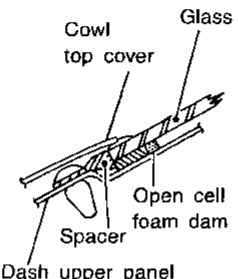
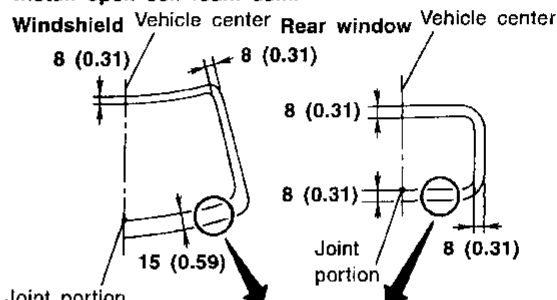
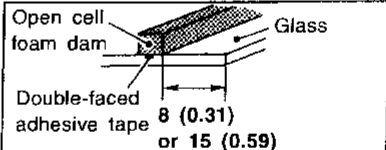

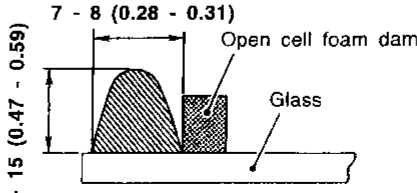
- Keep heat and open flames away as primers and adhesive are flammable.
- The materials contained in the kit are harmful if swallowed, and may irritate skin and eyes. Avoid contact with the skin and eyes.
- Use in an open, well ventilated location. Avoid breathing the vapors. They can be harmful if inhaled. If affected by vapor inhalation, immediately move to an area with fresh air.
- Driving the vehicle before the urethane adhesive has completely cured may affect the performance of the windshield in case of an accident.

CAUTION:

- Do not use an adhesive which is past its usable term. Shelf life of this product is limited to six months after the date of manufacture. Carefully adhere to the expiration or manufacture date printed on the box.
- Keep primers and adhesive in a cool, dry place. Ideally, they should be stored in a refrigerator.
- Do not leave primers or adhesive cartridge unattended with their caps open or off.
- The vehicle should not be driven for at least 24 hours or until the urethane adhesive has completely cured. Curing time varies depending on temperature and humidities. The curing time will increase under higher temperatures and lower humidities.

WINDSHIELD AND WINDOWS

Windshield and Rear Window

<p>Body side Install spacer to panel. Windshield</p>  <p>400 (15.75)</p> <p>Rear window</p>  <p>Spacer position marking</p> <p>400 (15.75)</p>		<p>Glass side Install open cell foam dam.</p>  <p>8 (0.31) 8 (0.31) 8 (0.31) 8 (0.31) 15 (0.59) 8 (0.31)</p> <p>Joint portion Joint portion</p>  <p>Open cell foam dam Glass Double-faced adhesive tape 8 (0.31) or 15 (0.59)</p>
<p>Install molding fastener. When installing it, heat body panel and fastener to approx. 30 to 40°C (86 to 104°F).</p>  <p>Upper & side molding fasteners</p>	<p>Apply urethane adhesive evenly. Windshield and rear window</p>  <p>7 - 8 (0.28 - 0.31) 12 - 15 (0.47 - 0.59)</p> <p>Open cell foam dam Glass Glass</p> <p>Unit: mm (in)</p> <p style="text-align: right;">SBF355HA</p>	

REPAIRING WATER LEAKS FOR WINDSHIELD

Leaks can be repaired without removing and reinstalling glass.

If water is leaking between the urethane adhesive material and body or glass, determine the extent of leakage. This can be done by applying water to the windshield area while pushing glass outward.

To stop the leak, apply primer (if necessary) and then urethane adhesive to the leak point.

MIRROR

Door Mirror

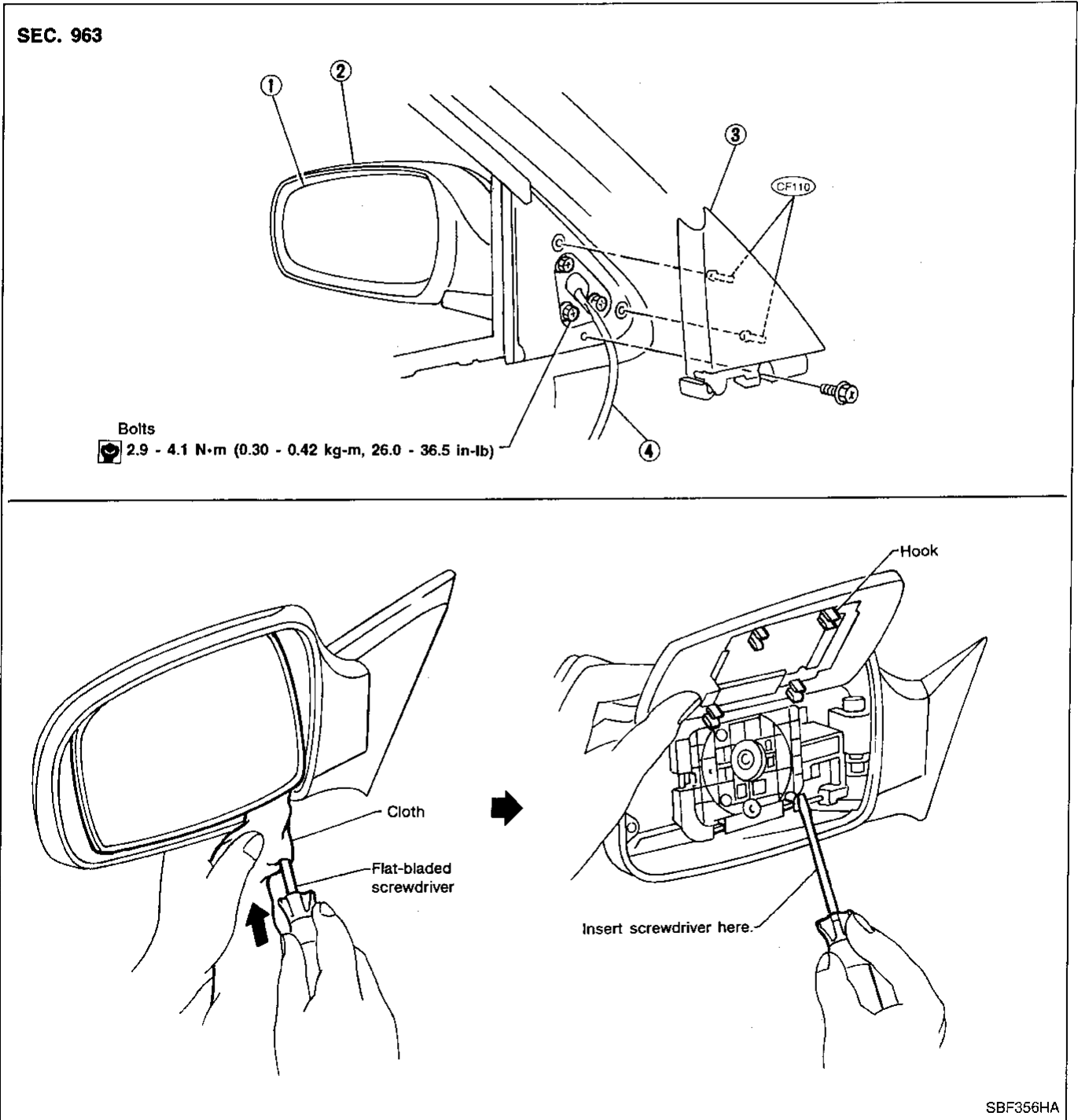
CAUTION:

Be careful not to scratch door rearview mirror body.

★ For Wiring Diagram, refer to "POWER DOOR MIRROR" in EL section.

REMOVAL — Door mirror

1. Remove door trim. Refer to "Door Trim" in "INTERIOR TRIM" for details, BT-19.
2. Remove inner cover front corner of door.
3. Disconnect door mirror harness connector.
4. Remove door mirror harness clips.
5. Remove bolts securing door mirror assembly.
6. Remove the mirror glass. Do not insert screwdriver too far.



- ① Mirror glass
② Mirror body

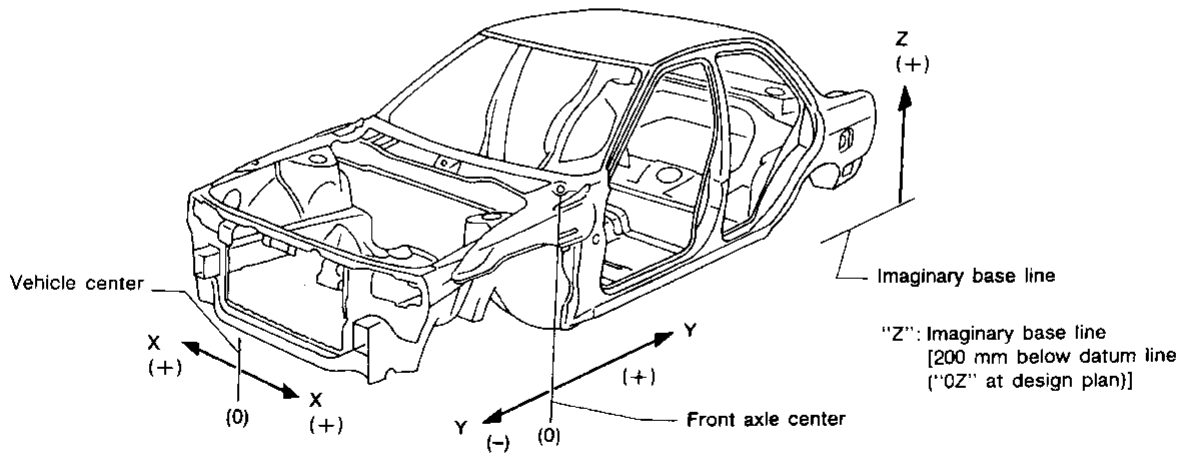
③ Inner cover

④ Door mirror harness

GI
MA
EM
LC
EC
FE
CL
MT
AT
FA
RA
BR
ST
RS
BT
HA
EL
IDX

BODY ALIGNMENT

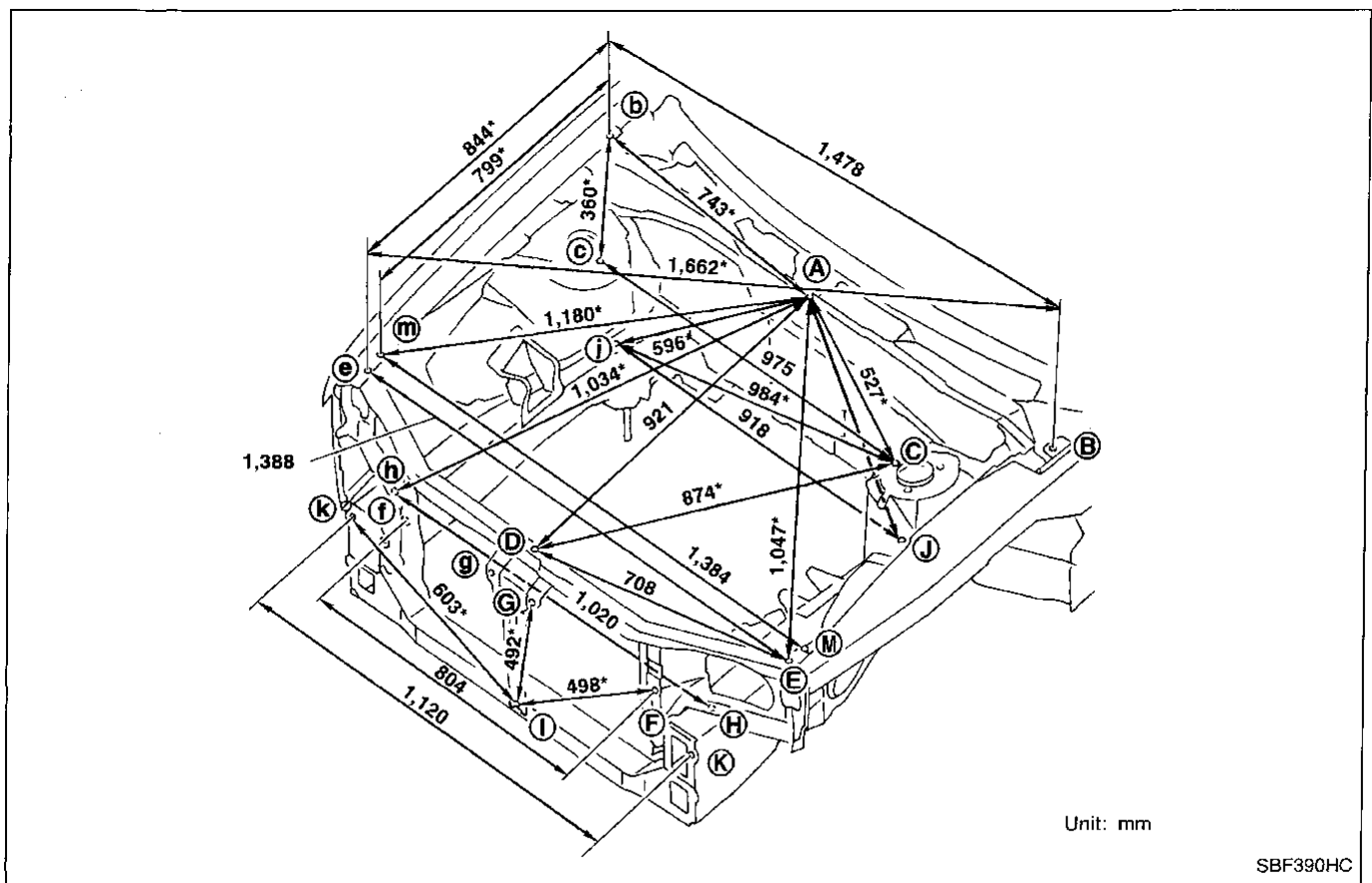
- All dimensions indicated in figures are actual ones.
- When using a tracking gauge, adjust both pointers to equal length. Then check the pointers and gauge itself to make sure there is no free play.
- When a measuring tape is used, check to be sure there is no elongation, twisting or bending.
- Measurements should be taken at the center of the mounting holes.
- An asterisk (*) following the value at the measuring point indicates that the measuring point on the other side is symmetrically the same value.
- The coordinates of the measurement points are the distances measured from the standard line of "X", "Y" and "Z".



SBF874GB

Engine Compartment

MEASUREMENT

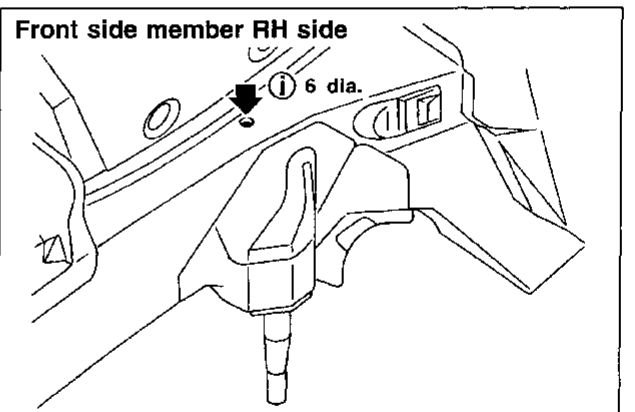
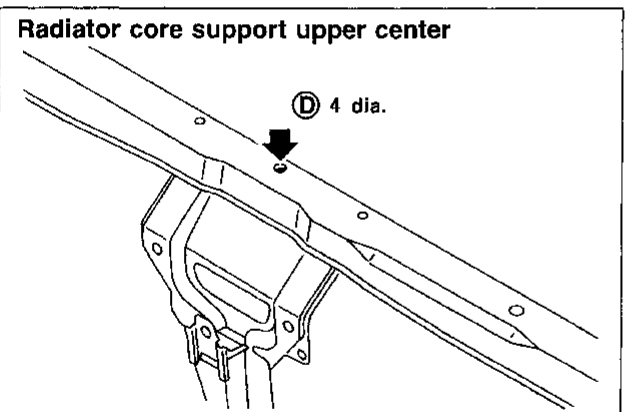
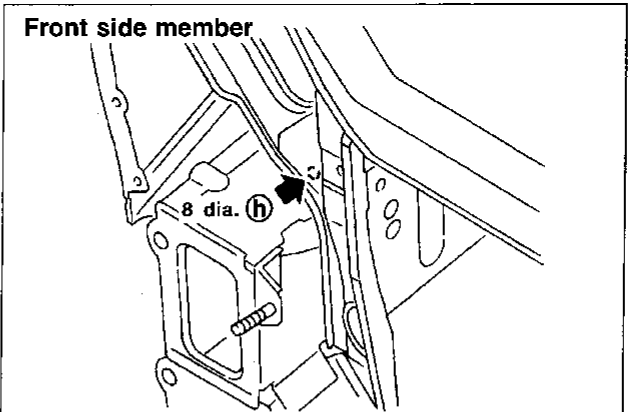
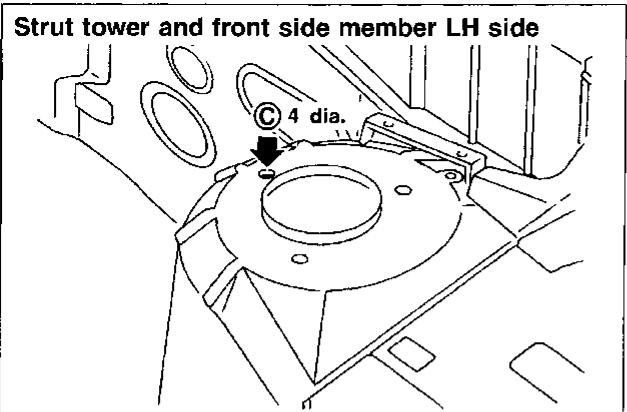
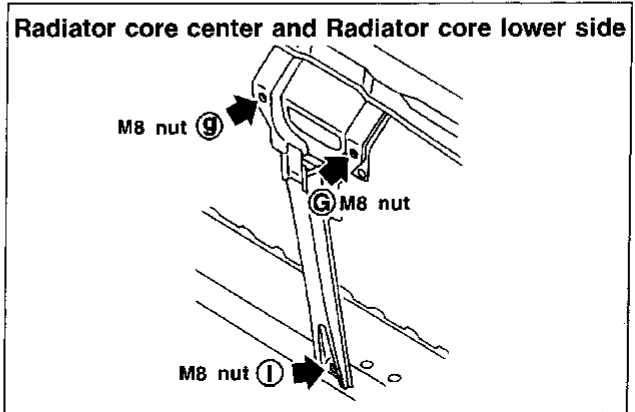
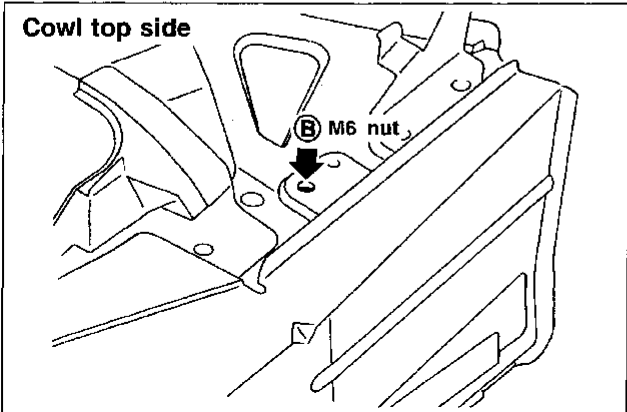
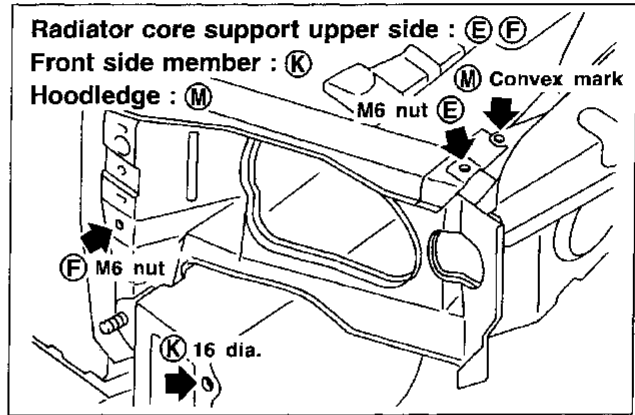
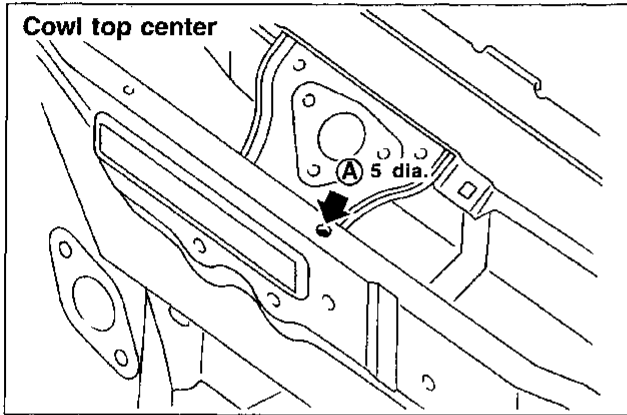


BODY ALIGNMENT

Engine Compartment (Cont'd)

MEASUREMENT POINTS

Unit: mm



GI
MA
EM
LC
EC
FE
CL
MT
AT
FA
RA
BR
ST
RS
BT
HA
EL
IDX

BODY ALIGNMENT

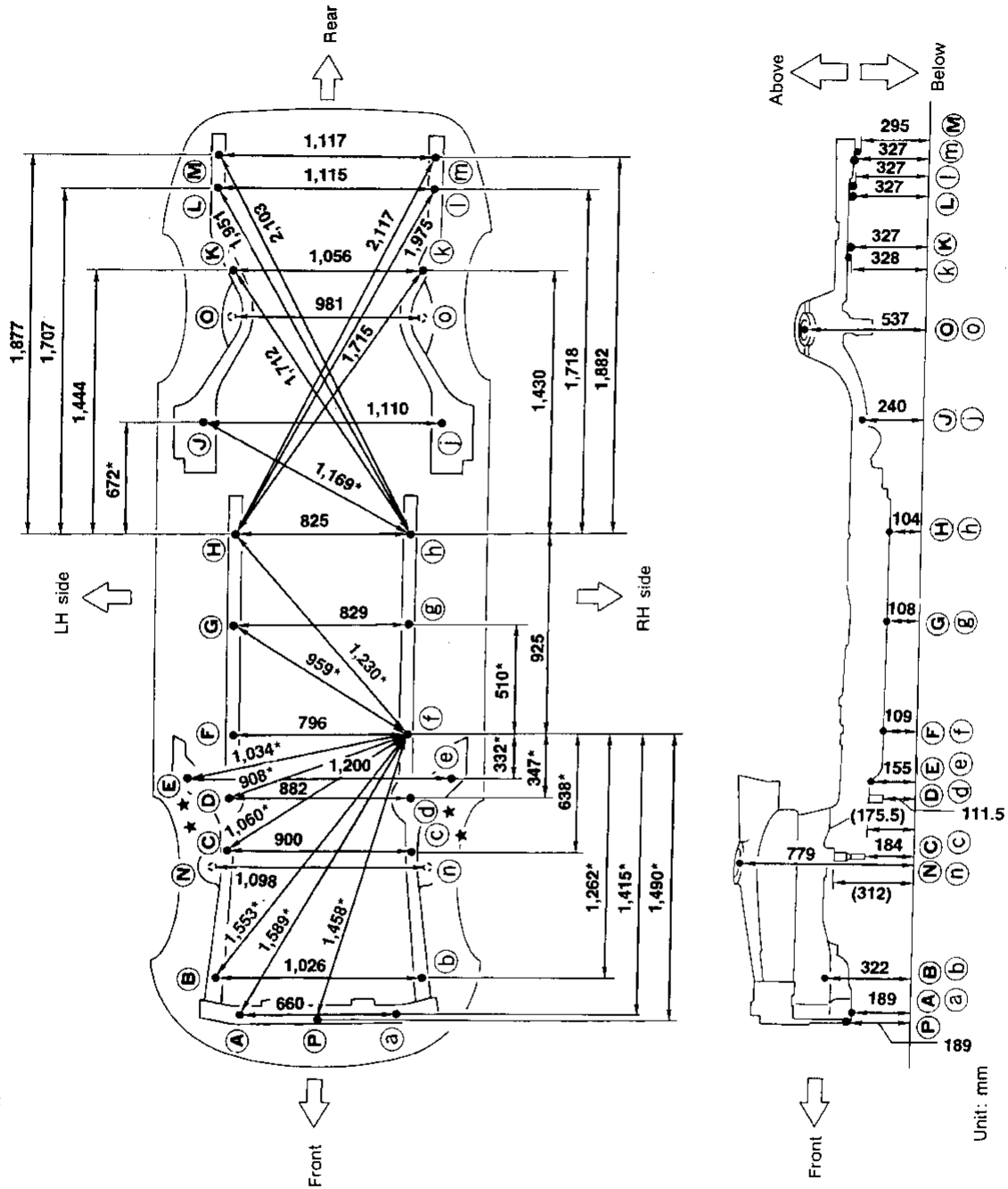
Underbody

MEASUREMENT

This figure is under view.

All dimensions indicated in this figure are actual ones. (There are no projected dimensions.)

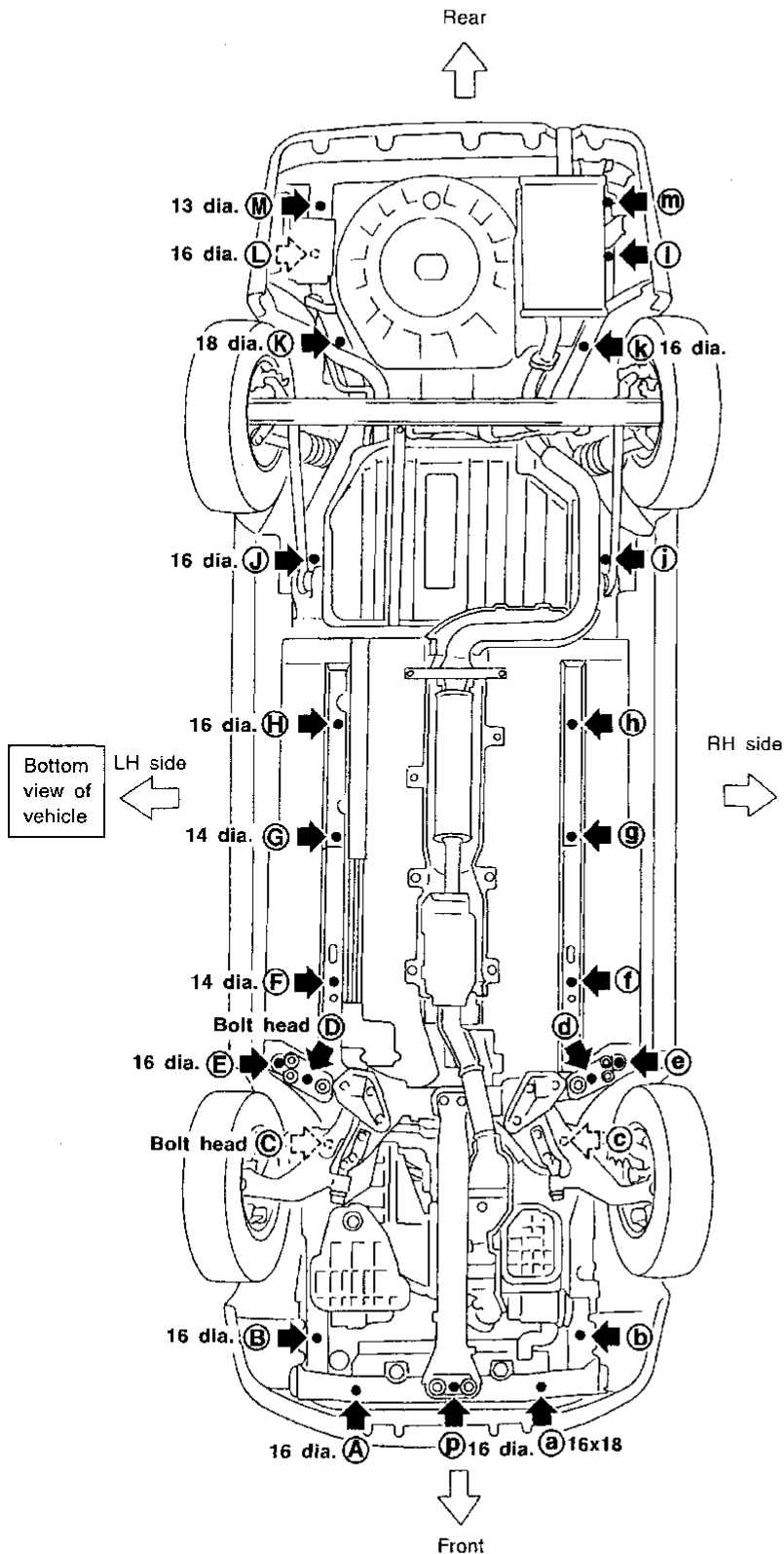
★: Bolt head



BODY ALIGNMENT

Underbody (Cont'd)

MEASUREMENT POINTS



Coordinates

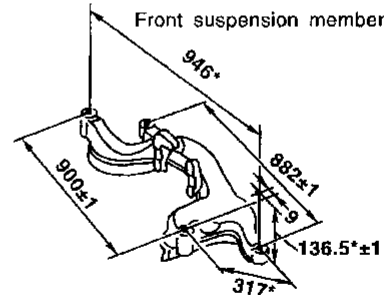
(A), (a)	(J), (j)
X : 330	Radius rod bracket mounting hole
Y : -710	X : 555
Z : 188.8	X : 513 Y : 2,185
(B), (b)	Z : 239.5
X : 513	(K)
Y : -540	X : 512
Z : 322	X : 450 Y : 3,000
(C), (c)	Z : 326.6
X : 450	(k)
Y : 68	X : 544
Z : 184	X : 441 Y : 2,982
(D), (d)	Z : 328.2
X : 441	(L)
Y : 354	X : 540
Z : 111.5	X : 600 Y : 3,272
(E), (e)	Z : 326.6
X : 600	(I)
Y : 430	X : 575
Z : 154.9	X : 398 Y : 3,280
(F), (f)	Z : 326.6
X : 398	(M)
Y : 700	X : 546
Z : 109	X : 414.5 Y : 3,454
(G), (g)	Z : 295.4
X : 414.5	(m)
Y : 1,210	X : 570.5
Z : 108.4	X : 412.5 Y : 3,450
(H), (h)	Z : 326.6
X : 412.5	(P)
Y : 1,625	X : 0
Z : 104	Y : -700.5
	Z : 188.8

Front and rear strut tower centers

Coordinates:

(N), (n)	
X : 548.8	Front: (N), (n) 87 dia.
Y : 28.7	Rear: (O), (o) 61.4 dia.
Z : 779.3	
(O), (o)	
X : 490.3	
Y : 2,624	
Z : 537.2	

Suspension link mounting hole



Unit: mm

MBT072AC