

SECTION **INT**  
INTERIOR

A  
B  
C  
D  
E  
F  
G  
H  
I  
INT  
K  
L  
M  
N  
O  
P

CONTENTS

|   |    |   |    |
|---|----|---|----|
| <b>COMPONENT DIAGNOSIS</b> .....  | 2  | <b>FRONT DOOR FINISHER</b> .....                            | 18 |
| <b>SUNSHADE</b> .....   | 2  | Exploded View .....   | 18 |
| Component Parts Location .....  | 2  | Removal and Installation .....                              | 18 |
| Wiring Diagram .....  | 3  | <b>REAR DOOR FINISHER</b> .....                             | 21 |
| Reference Value .....   | 5  | Exploded View .....   | 21 |
| <b>SYMPTOM DIAGNOSIS</b> .....  | 7  | Removal and Installation .....                              | 21 |
| <b>SQUEAK AND RATTLE TROUBLE DIAG-<br/>NOSES</b> .....                                | 7  | <b>BODY SIDE TRIM</b> .....                                 | 23 |
| Work Flow .....   | 7  | Exploded View .....   | 23 |
| Generic Squeak and Rattle Troubleshooting .....                                       | 9  | Removal and Installation .....                              | 24 |
| Diagnostic Worksheet .....  | 11 | <b>REAR PARCEL SHELF FINISHER</b> .....                     | 26 |
| Clip and Fastener .....   | 12 | Exploded View .....   | 26 |
| <b>PRECAUTION</b> .....   | 15 | Removal and Installation .....                              | 26 |
| <b>PRECAUTIONS</b> .....  | 15 | <b>REAR SUNSHADE</b> .....                                  | 28 |
| Supplemental Restraint System (SRS) "AIR BAG"<br>and "SEAT BELT PRE-TENSIONER" .....  | 15 | Removal and Installation .....                              | 28 |
| Precautions .....   | 15 | <b>FLOOR TRIM</b> .....                                     | 29 |
| Precautions Necessary for Steering Wheel Rota-<br>tion after Battery Disconnect ..... | 15 | Exploded View .....   | 29 |
| <b>PREPARATION</b> .....  | 17 | Removal and Installation .....                              | 29 |
| <b>PREPARATION</b> .....  | 17 | <b>HEADLINING</b> .....                                     | 32 |
| Special Service Tools .....   | 17 | Exploded View .....   | 32 |
| Commercial Service Tools .....  | 17 | Removal and Installation .....                              | 32 |
| <b>ON-VEHICLE REPAIR</b> .....  | 18 | <b>TRUNK ROOM TRIM &amp; TRUNK LID FINISH-<br/>ER</b> ..... | 35 |
|   |    | Exploded View .....   | 35 |
|   |    | Removal and Installation .....                              | 35 |

# SUNSHADE

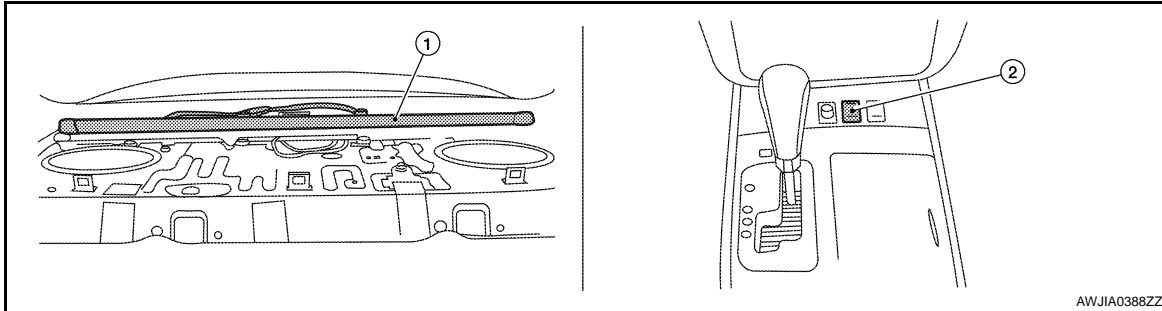
< COMPONENT DIAGNOSIS >

## COMPONENT DIAGNOSIS

### SUNSHADE

#### Component Parts Location

INFOID:000000004267545



AWJIA0388ZZ

1. Rear sunshade unit B22  
(View with the rear parcel shelf finisher removed)
2. Rear sunshade switch M308

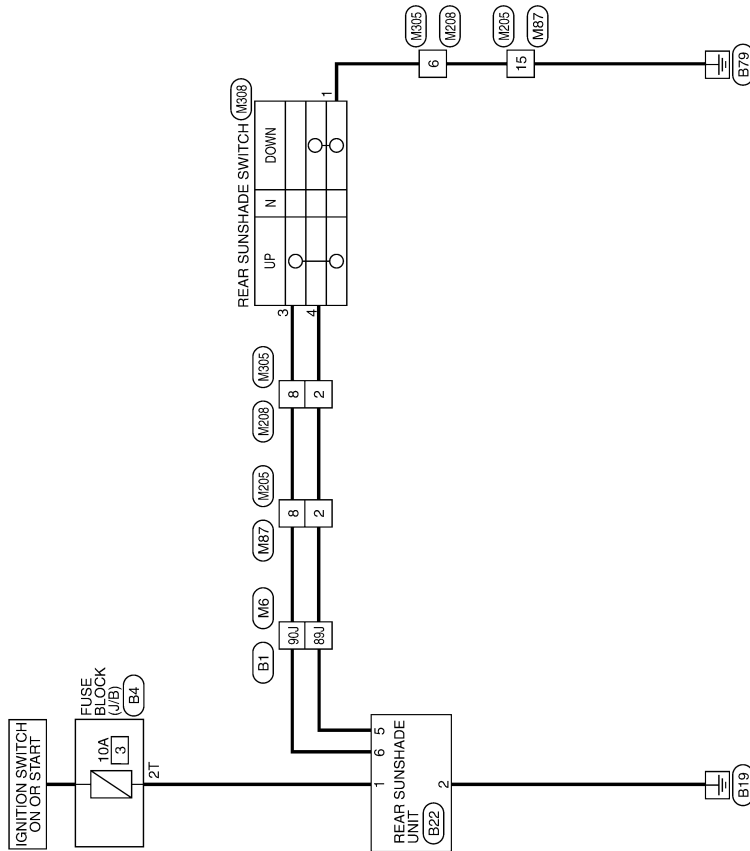
# SUNSHADE

< COMPONENT DIAGNOSIS >

## Wiring Diagram

INFOID:000000004267546

### REAR SUNSHADE

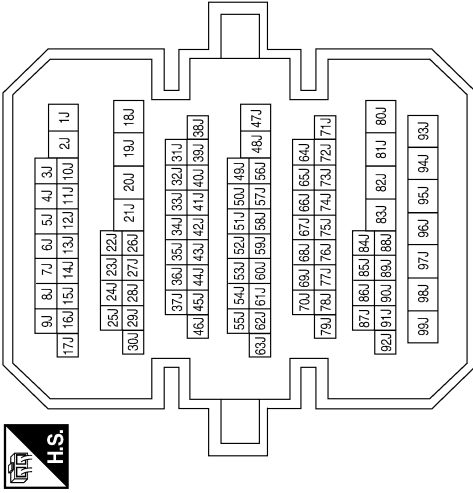


A  
B  
C  
D  
E  
F  
G  
H  
I  
INT  
K  
L  
M  
N  
O  
P

ABJWA0056GB

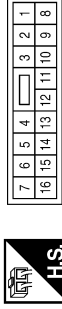
## REAR SUNSHADE CONNECTORS

|                 |              |
|-----------------|--------------|
| Connector No.   | M6           |
| Connector Name  | WIRE TO WIRE |
| Connector Color | WHITE        |



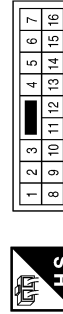
|              |               |             |
|--------------|---------------|-------------|
| Terminal No. | Color of Wire | Signal Name |
| 89J          | R             | -           |
| 90J          | P             | -           |

|                 |              |
|-----------------|--------------|
| Connector No.   | M87          |
| Connector Name  | WIRE TO WIRE |
| Connector Color | BROWN        |



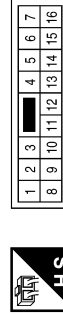
|              |               |             |
|--------------|---------------|-------------|
| Terminal No. | Color of Wire | Signal Name |
| 2            | R             | -           |
| 8            | P             | -           |
| 15           | B             | -           |

|                 |              |
|-----------------|--------------|
| Connector No.   | M205         |
| Connector Name  | WIRE TO WIRE |
| Connector Color | BROWN        |



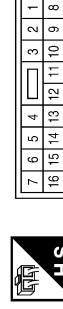
|              |               |             |
|--------------|---------------|-------------|
| Terminal No. | Color of Wire | Signal Name |
| 2            | R             | -           |
| 8            | P             | -           |
| 15           | B             | -           |

|                 |              |
|-----------------|--------------|
| Connector No.   | M208         |
| Connector Name  | WIRE TO WIRE |
| Connector Color | WHITE        |



|              |               |             |
|--------------|---------------|-------------|
| Terminal No. | Color of Wire | Signal Name |
| 2            | R             | -           |
| 6            | B             | -           |
| 8            | P             | -           |

|                 |              |
|-----------------|--------------|
| Connector No.   | M305         |
| Connector Name  | WIRE TO WIRE |
| Connector Color | WHITE        |



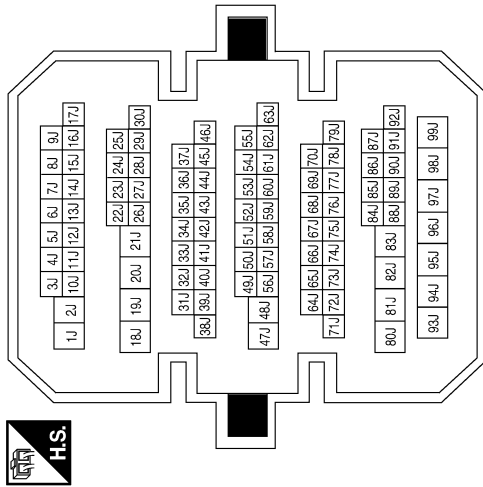
|              |               |             |
|--------------|---------------|-------------|
| Terminal No. | Color of Wire | Signal Name |
| 2            | R             | -           |
| 6            | B             | -           |
| 8            | P             | -           |

# SUNSHADE

## < COMPONENT DIAGNOSIS >

|              |               |             |
|--------------|---------------|-------------|
| Terminal No. | Color of Wire | Signal Name |
| 89J          | R             | -           |
| 90J          | P             | -           |

|                 |              |
|-----------------|--------------|
| Connector No.   | B1           |
| Connector Name  | WIRE TO WIRE |
| Connector Color | WHITE        |

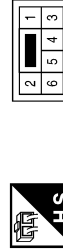


|                 |                      |
|-----------------|----------------------|
| Connector No.   | M308                 |
| Connector Name  | REAR SUNSHADE SWITCH |
| Connector Color | WHITE                |



|              |               |             |
|--------------|---------------|-------------|
| Terminal No. | Color of Wire | Signal Name |
| 1            | B             | -           |
| 3            | R             | -           |
| 4            | P             | -           |

|                 |                    |
|-----------------|--------------------|
| Connector No.   | B22                |
| Connector Name  | REAR SUNSHADE UNIT |
| Connector Color | WHITE              |



|              |               |             |
|--------------|---------------|-------------|
| Terminal No. | Color of Wire | Signal Name |
| 1            | V             | IG          |
| 2            | B             | GND         |
| 5            | P             | DOWN        |
| 6            | R             | UP          |

|                 |                  |
|-----------------|------------------|
| Connector No.   | B4               |
| Connector Name  | FUSE BLOCK (J/B) |
| Connector Color | BROWN            |



|              |               |             |
|--------------|---------------|-------------|
| Terminal No. | Color of Wire | Signal Name |
| 2T           | V             | -           |

## Reference Value

| Terminal | Wire color | Item                          | Condition                               | Voltage (V)     |
|----------|------------|-------------------------------|---|-----------------|
| 1        | V          | Ignition switch (ON or START) | Ignition switch is ON or START position | Battery voltage |
| 2        | B          | Ground                        | -                                       | 0               |

# SUNSHADE

## < COMPONENT DIAGNOSIS >

|   |   |                           |                                       |                 |
|---|---|---------------------------|---------------------------------------|-----------------|
| 5 | P | Rear sunshade DOWN signal | Rear sunshade switch in DOWN position | 0               |
|   |   |                           | Rear sunshade switch released         | Battery voltage |
| 6 | R | Rear sunshade UP signal   | Rear sunshade switch in UP position   | 0               |
|   |   |                           | Rear sunshade switch released         | Battery voltage |

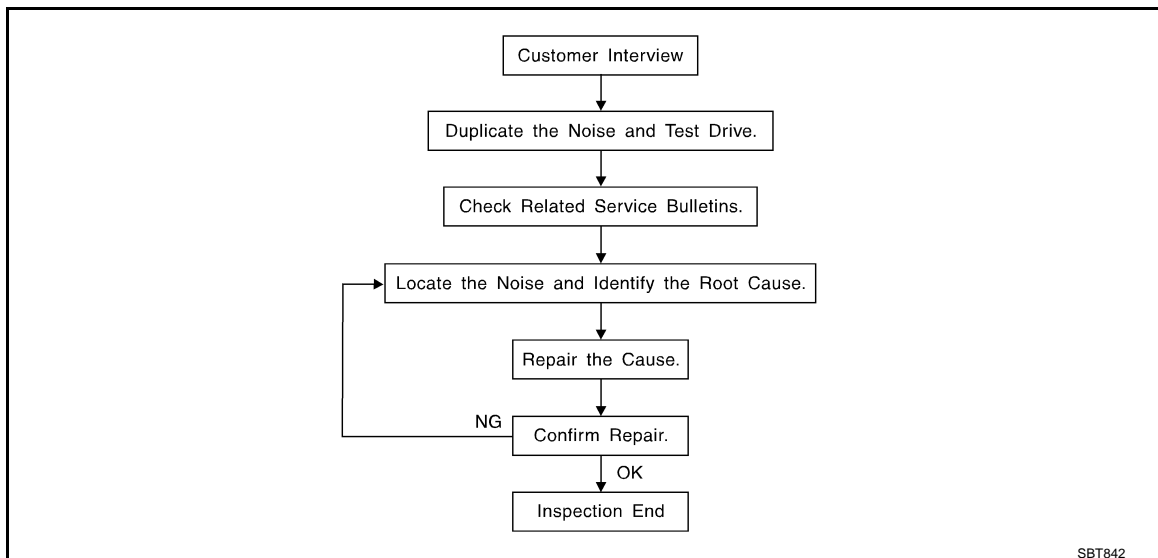
# SQUEAK AND RATTLE TROUBLE DIAGNOSES

< SYMPTOM DIAGNOSIS >

## SYMPTOM DIAGNOSIS

### SQUEAK AND RATTLE TROUBLE DIAGNOSES

#### Work Flow



#### CUSTOMER INTERVIEW

Interview the customer if possible, to determine the conditions that exist when the noise occurs. Use the Diagnostic Worksheet during the interview to document the facts and conditions when the noise occurs and any customer's comments; refer to [INT-11, "Diagnostic Worksheet"](#). This information is necessary to duplicate the conditions that exist when the noise occurs.

- The customer may not be able to provide a detailed descriptions or the location of the noise. Attempt to obtain all the facts and conditions that exist when the noise occurs (or does not occur).
- If there is more than one noise in the vehicle, be sure to diagnose and repair the noise that the customer is concerned about. This can be accomplished by test driving the vehicle with the customer.
- After identifying the type of noise, isolate the noise in terms of its characteristics. The noise characteristics are provided so the customer, service adviser and technician are all speaking the same language when defining the noise.
- Squeak —(Like tennis shoes on a clean floor)  
Squeak characteristics include the light contact/fast movement/brought on by road conditions/hard surfaces = higher pitch noise/softer surfaces = lower pitch noises/edge to surface = chirping
- Creak—(Like walking on an old wooden floor)  
Creak characteristics include firm contact/slow movement/twisting with a rotational movement/pitch dependent on materials/often brought on by activity.
- Rattle—(Like shaking a baby rattle)  
Rattle characteristics include the fast repeated contact/vibration or similar movement/loose parts/missing clip or fastener/incorrect clearance.
- Knock —(Like a knock on a door)  
Knock characteristics include hollow sounding/sometimes repeating/often brought on by driver action.
- Tick—(Like a clock second hand)  
Tick characteristics include gentle contacting of light materials/loose components/can be caused by driver action or road conditions.
- Thump—(Heavy, muffled knock noise)  
Thump characteristics include softer knock/dead sound often brought on by activity.
- Buzz—(Like a bumble bee)  
Buzz characteristics include high frequency rattle/firm contact.
- Often the degree of acceptable noise level will vary depending upon the person. A noise that you may judge as acceptable may be very irritating to the customer.
- Weather conditions, especially humidity and temperature, may have a great effect on noise level.

#### DUPLICATE THE NOISE AND TEST DRIVE

# SQUEAK AND RATTLE TROUBLE DIAGNOSES

## < SYMPTOM DIAGNOSIS >

If possible, drive the vehicle with the customer until the noise is duplicated. Note any additional information on the Diagnostic Worksheet regarding the conditions or location of the noise. This information can be used to duplicate the same conditions when you confirm the repair.

If the noise can be duplicated easily during the test drive, to help identify the source of the noise, try to duplicate the noise with the vehicle stopped by doing one or all of the following:

- 1) Close a door.
  - 2) Tap or push/pull around the area where the noise appears to be coming from.
  - 3) Rev the engine.
  - 4) Use a floor jack to recreate vehicle "twist".
  - 5) At idle, apply engine load (electrical load, half-clutch on M/T models, drive position on A/T models).
  - 6) Raise the vehicle on a hoist and hit a tire with a rubber hammer.
- Drive the vehicle and attempt to duplicate the conditions the customer states exist when the noise occurs.
  - If it is difficult to duplicate the noise, drive the vehicle slowly on an undulating or rough road to stress the vehicle body.

## CHECK RELATED SERVICE BULLETINS

After verifying the customer concern or symptom, check ASIST for Technical Service Bulletins (TSBs) related to that concern or symptom.

If a TSB relates to the symptom, follow the procedure to repair the noise.

## LOCATE THE NOISE AND IDENTIFY THE ROOT CAUSE

1. Narrow down the noise to a general area. To help pinpoint the source of the noise, use a listening tool (Chassis Ear: J-39570, Engine Ear and mechanics stethoscope).
2. Narrow down the noise to a more specific area and identify the cause of the noise by:
  - removing the components in the area that you suspect the noise is coming from.  
Do not use too much force when removing clips and fasteners, otherwise clips and fastener can be broken or lost during the repair, resulting in the creation of new noise.
  - tapping or pushing/pulling the component that you suspect is causing the noise.  
Do not tap or push/pull the component with excessive force, otherwise the noise will be eliminated only temporarily.
  - feeling for a vibration with your hand by touching the component(s) that you suspect is (are) causing the noise.
  - placing a piece of paper between components that you suspect are causing the noise.
  - looking for loose components and contact marks.  
Refer to [INT-9, "Generic Squeak and Rattle Troubleshooting"](#).

## REPAIR THE CAUSE

- If the cause is a loose component, tighten the component securely.
- If the cause is insufficient clearance between components:
  - separate components by repositioning or loosening and retightening the component, if possible.
  - insulate components with a suitable insulator such as urethane pads, foam blocks, felt cloth tape or urethane tape. A Nissan Squeak and Rattle Kit (J-43980) is available through your authorized Nissan Parts Department.

### **CAUTION:**

**Do not use excessive force as many components are constructed of plastic and may be damaged.**

### **NOTE:**

Always check with the Parts Department for the latest parts information.

The following materials are contained in the Nissan Squeak and Rattle Kit (J-43980). Each item can be ordered separately as needed.

URETHANE PADS [1.5 mm (0.059 in) thick]

Insulates connectors, harness, etc.

76268-9E005: 100 × 135 mm (3.94 × 5.31 in)/76884-71L01: 60 × 85 mm (2.36 × 3.35 in)/76884-71L02: 15 × 25 mm (0.59 × 0.98 in)

INSULATOR (Foam blocks)

Insulates components from contact. Can be used to fill space behind a panel.

73982-9E000: 45 mm (1.77 in) thick, 50 × 50 mm (1.97 × 1.97 in)/73982-

50Y00: 10 mm (0.39 in) thick, 50 × 50 mm (1.97 × 1.97 in)

INSULATOR (Light foam block)

80845-71L00: 30 mm (1.18 in) thick, 30 × 50 mm (1.18 × 1.97in)

FELT CLOTH TAPE

Used to insulate where movement does not occur. Ideal for instrument panel applications.



# SQUEAK AND RATTLE TROUBLE DIAGNOSES

## < SYMPTOM DIAGNOSIS >

68370-4B000: 15 × 25 mm (0.59 × 0.98 in) pad/68239-13E00: 5 mm (0.20 in) wide tape roll

The following materials, not found in the kit, can also be used to repair squeaks and rattles.

### UHMW (TEFLON) TAPE

Insulates where slight movement is present. Ideal for instrument panel applications.

### SILICONE GREASE

Used in place of UHMW tape that will be visible or not fit. Will only last a few months.

### SILICONE SPRAY

Use when grease cannot be applied.

### DUCT TAPE

Use to eliminate movement.

## CONFIRM THE REPAIR

Confirm that the cause of a noise is repaired by test driving the vehicle. Operate the vehicle under the same conditions as when the noise originally occurred. Refer to the notes on the Diagnostic Worksheet.

## Generic Squeak and Rattle Troubleshooting

INFOID:000000003897520

Refer to Table of Contents for specific component removal and installation information.

## INSTRUMENT PANEL

Most incidents are caused by contact and movement between:

1. Acrylic lens and combination meter housing
2. Instrument panel to front pillar finishers
3. Instrument panel to windshield
4. Instrument panel mounting pins
5. Wiring harnesses behind the combination meter
6. A/C defroster duct and duct joint

These incidents can usually be located by tapping or moving the components to duplicate the noise or by pressing on the components while driving to stop the noise. Most of these incidents can be repaired by applying felt cloth tape or silicone spray (in hard to reach areas). Urethane pads can be used to insulate wiring harness.

### **CAUTION:**

**Do not use silicone spray to isolate a squeak or rattle. If you saturate the area with silicone, you will not be able to recheck the repair.**

## CENTER CONSOLE

Components to pay attention to include:

1. Shifter assembly cover to finisher
2. A/C control unit and cluster lid C
3. Wiring harnesses behind audio and A/C control unit

The instrument panel repair and isolation procedures also apply to the center console.

## DOORS

Pay attention to the:

1. Finisher and inner panel making a slapping noise
2. Inside handle escutcheon to door finisher
3. Wiring harnesses tapping
4. Door striker out of alignment causing a popping noise on starts and stops

Tapping or moving the components or pressing on them while driving to duplicate the conditions can isolate many of these incidents. You can usually insulate the areas with felt cloth tape or insulator foam blocks from the Nissan Squeak and Rattle Kit (J-43980) to repair the noise.

## TRUNK

Trunk noises are often caused by a loose jack or loose items put into the trunk by the owner.

In addition look for:

1. Trunk lid bumpers out of adjustment
2. Trunk lid striker out of adjustment
3. The trunk lid torsion bars knocking together

A

B

C

D

E

F

G

H

I

INT

K

L

M

N

O

P

# SQUEAK AND RATTLE TROUBLE DIAGNOSES

## < SYMPTOM DIAGNOSIS >

---

### 4. A loose license plate or bracket

Most of these incidents can be repaired by adjusting, securing or insulating the item(s) or component(s) causing the noise.

### SUNROOF/HEADLINING

Noises in the sunroof/headlining area can often be traced to one of the following:

1. Sunroof lid, rail, linkage or seals making a rattle or light knocking noise
2. Sunvisor shaft shaking in the holder
3. Front or rear windshield touching headlining and squeaking

Again, pressing on the components to stop the noise while duplicating the conditions can isolate most of these incidents. Repairs usually consist of insulating with felt cloth tape.

### OVERHEAD CONSOLE (FRONT AND REAR)

Overhead console noises are often caused by the console panel clips not being engaged correctly. Most of these incidents are repaired by pushing up on the console at the clip locations until the clips engage.

In addition, look for:

1. Loose harness or harness connectors.
2. Front console map/reading lamp lens loose.
3. Loose screws at console attachment points.

### SEATS

When isolating seat noise it's important to note the position the seat is in and the load placed on the seat when the noise is present. These conditions should be duplicated when verifying and isolating the cause of the noise.

Cause of seat noise include:

1. Headrest rods and holder
2. A squeak between the seat pad cushion and frame
3. The rear seatback lock and bracket

These noises can be isolated by moving or pressing on the suspected components while duplicating the conditions under which the noise occurs. Most of these incidents can be repaired by repositioning the component or applying urethane tape to the contact area.

### UNDERHOOD

Some interior noise may be caused by components under the hood or on the engine wall. The noise is then transmitted into the passenger compartment.

Causes of transmitted underhood noise include:

1. Any component mounted to the engine wall
2. Components that pass through the engine wall
3. Engine wall mounts and connectors
4. Loose radiator mounting pins
5. Hood bumpers out of adjustment
6. Hood striker out of adjustment

These noises can be difficult to isolate since they cannot be reached from the interior of the vehicle. The best method is to secure, move or insulate one component at a time and test drive the vehicle. Also, engine RPM or load can be changed to isolate the noise. Repairs can usually be made by moving, adjusting, securing, or insulating the component causing the noise.

# SQUEAK AND RATTLE TROUBLE DIAGNOSES

< SYMPTOM DIAGNOSIS >

## Diagnostic Worksheet

INFOID:000000003897521

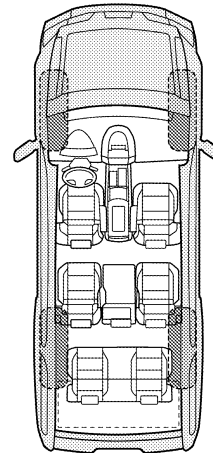
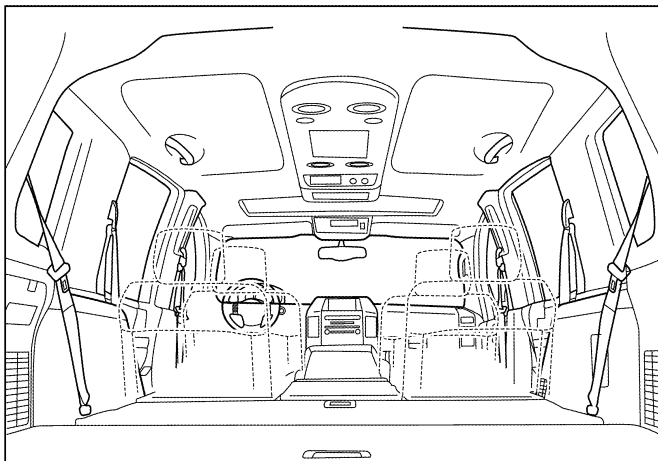
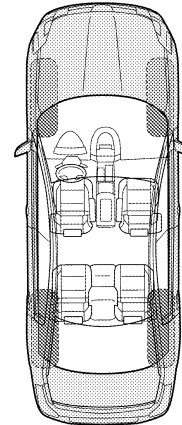
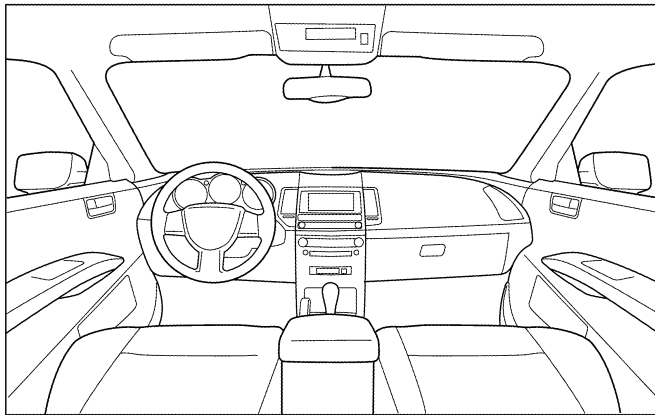
Dear Customer:

We are concerned about your satisfaction with your vehicle. Repairing a squeak or rattle sometimes can be very difficult. To help us fix your vehicle right the first time, please take a moment to note the area of the vehicle where the squeak or rattle occurs and under what conditions. You may be asked to take a test drive with a service advisor or technician to ensure we confirm the noise you are hearing.

### SQUEAK & RATTLE DIAGNOSTIC WORKSHEET

#### I. WHERE DOES THE NOISE COME FROM? (circle the area of the vehicle)

The illustrations are for reference only, and may not reflect the actual configuration of your vehicle.



Continue to page 2 of the worksheet and briefly describe the location of the noise or rattle. In addition, please indicate the conditions which are present when the noise occurs.

A  
B  
C  
D  
E  
F  
G  
H  
I  
INT  
K  
L  
M  
N  
O  
P

# SQUEAK AND RATTLE TROUBLE DIAGNOSES

< SYMPTOM DIAGNOSIS >

## SQUEAK & RATTLE DIAGNOSTIC WORKSHEET - page 2

Briefly describe the location where the noise occurs:

---

---

### II. WHEN DOES IT OCCUR? (please check the boxes that apply)

- |   |  |
|---|--|
| <input type="checkbox"/> Anytime                      | <input type="checkbox"/> After sitting out in the rain |
| <input type="checkbox"/> 1st time in the morning      | <input type="checkbox"/> When it is raining or wet     |
| <input type="checkbox"/> Only when it is cold outside | <input type="checkbox"/> Dry or dusty conditions       |
| <input type="checkbox"/> Only when it is hot outside  | <input type="checkbox"/> Other:                        |

### III. WHEN DRIVING:

- Through driveways
- Over rough roads
- Over speed bumps
- Only about \_\_\_\_ mph
- On acceleration
- Coming to a stop
- On turns: left, right or either (circle)
- With passengers or cargo
- Other: \_\_\_\_\_
- After driving \_\_\_\_ miles or \_\_\_\_ minutes

### IV. WHAT TYPE OF NOISE

- Squeak (like tennis shoes on a clean floor)
- Creak (like walking on an old wooden floor)
- Rattle (like shaking a baby rattle)
- Knock (like a knock at the door)
- Tick (like a clock second hand)
- Thump (heavy muffled knock noise)
- Buzz (like a bumble bee)

### TO BE COMPLETED BY DEALERSHIP PERSONNEL

#### Test Drive Notes:

---

---

---

|  | YES                      | NO                       | Initials of person performing |
|--|--------------------------|--------------------------|-------------------------------|
| Vehicle test driven with customer                  | <input type="checkbox"/> | <input type="checkbox"/> | _____                         |
| - Noise verified on test drive                     | <input type="checkbox"/> | <input type="checkbox"/> | _____                         |
| - Noise source located and repaired                | <input type="checkbox"/> | <input type="checkbox"/> | _____                         |
| - Follow up test drive performed to confirm repair | <input type="checkbox"/> | <input type="checkbox"/> | _____                         |

VIN: \_\_\_\_\_ Customer Name \_\_\_\_\_

W.O.# \_\_\_\_\_ Date: \_\_\_\_\_

This form must be attached to Work Order

LAI0071E


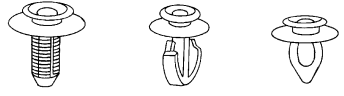


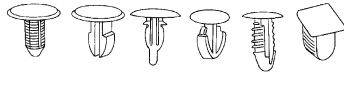
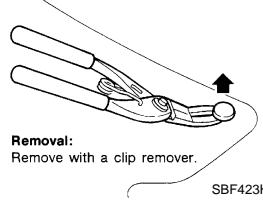

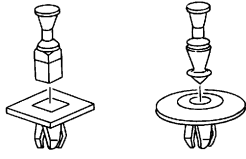
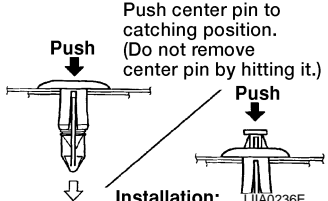
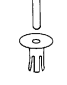
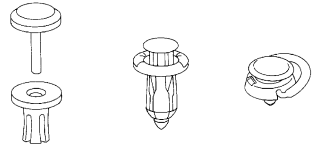
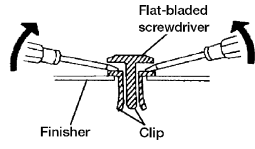

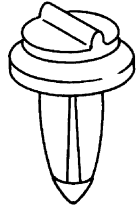
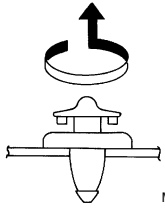

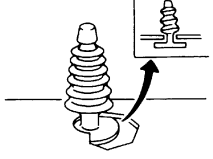
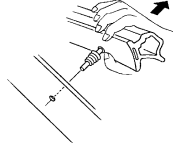
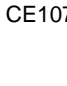
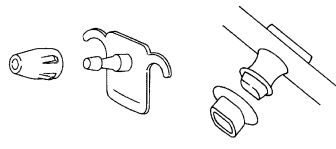
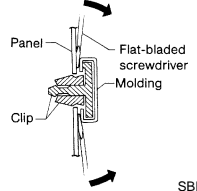
## Clip and Fastener

INFOID:000000004304465

- Clips and fasteners in EXT section correspond to the following numbers and symbols.
- Replace any clips and/or fasteners which are damaged during removal or installation.

# SQUEAK AND RATTLE TROUBLE DIAGNOSES

## < SYMPTOM DIAGNOSIS >


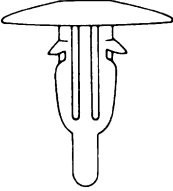
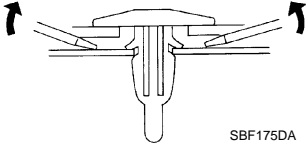

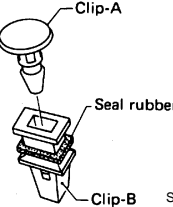
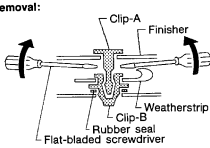

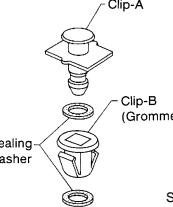
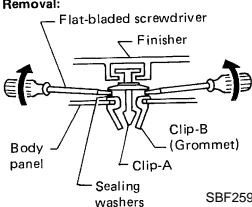
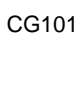
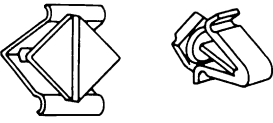
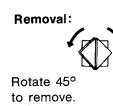
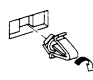

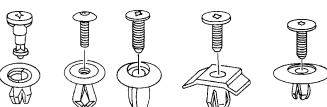
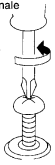
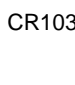
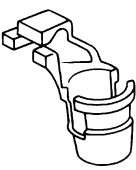
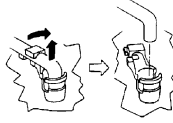
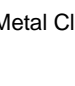

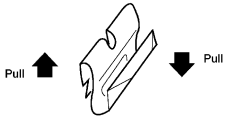
| Symbol No.   | Shapes   | Removal & Installation  |
|--|--|---|
| <p>C101</p>     |  <p>SBF302H</p>   | <p><b>Removal:</b><br/>Remove by bending up with flat-bladed screwdrivers or clip remover.</p>  <p>SBF367BA</p>                  |
| <p>C103</p>     |  <p>SBT095</p>    |  <p><b>Removal:</b><br/>Remove with a clip remover.</p> <p>SBF423H</p>   |
| <p>C203</p>     |  <p>SBF258G</p>   |  <p><b>Installation:</b><br/>Push center pin to catching position. (Do not remove center pin by hitting it.)</p> <p>LIA0236E</p> |
| <p>C205</p>   |  <p>MBT080A</p> | <p><b>Removal:</b></p>  <p>Flat-bladed screwdriver<br/>Finisher<br/>Clip</p> <p>SBF638CA</p>                                   |
| <p>C206</p>   |  <p>MBF519B</p> |  <p>MBF520B</p>  |
| <p>CE103</p>  |  <p>SBF104B</p> | <p><b>Removal:</b></p>  <p>SBF147B</p>   |
| <p>CE107</p>  |  <p>SBF411H</p> |  <p>Panel<br/>Flat-bladed screwdriver<br/>Molding<br/>Clip</p> <p>SBF767B</p>  |

A  
B  
C  
D  
E  
F  
G  
H  
I  
K  
L  
M  
N  
O  
P

INT

# SQUEAK AND RATTLE TROUBLE DIAGNOSES

## < SYMPTOM DIAGNOSIS >

| Symbol No.  | Shapes   | Removal & Installation   |
|---|--|--|
| <p>CE117</p>         | <p>Shapes</p>  <p>SBF174D</p> | <p>Removal:</p> <p>Remove by bending up with a flat-bladed screwdriver or pliers.</p>  <p>SBF175DA</p>  |
| <p>CF110</p>         |  <p>SBF648B</p>               | <p>Removal:</p>  <p>SBF649B</p>   |
| <p>CF118</p>         |  <p>SBF151D</p>               | <p>Removal:</p>  <p>SBF259G</p>   |
| <p>CG101</p>       |  <p>SBF145B</p>             | <p>Removal:</p> <p>Rotate 45° to remove.</p>  <p>Installation:</p>  <p>SBF085B</p>                     |
| <p>CS101</p>       |  <p>SBF078B</p>             | <p>Removal:</p> <ol style="list-style-type: none"> <li>1. Screw out with a Phillips screwdriver.</li> <li>2. Remove female portion with flat-bladed screwdriver.</li> </ol>  <p>SBF992G</p> |
| <p>CR103</p>       |  <p>SBF768B</p>             | <p>Removal:</p> <p>Holder portion of clip must be spread out to remove rod.</p>  <p>SBF770B</p>   |
| <p>Metal Clip</p>  |  <p>WBT072</p>              | <p>Removal:</p>  <p>WBT073</p>  |

# PRECAUTIONS

< PRECAUTION >

## PRECAUTION

### PRECAUTIONS

#### Supplemental Restraint System (SRS) "AIR BAG" and "SEAT BELT PRE-TENSIONER"

INFOID:000000003897522

The Supplemental Restraint System such as "AIR BAG" and "SEAT BELT PRE-TENSIONER", used along with a front seat belt, helps to reduce the risk or severity of injury to the driver and front passenger for certain types of collision. This system includes seat belt switch inputs and dual stage front air bag modules. The SRS system uses the seat belt switches to determine the front air bag deployment, and may only deploy one front air bag, depending on the severity of a collision and whether the front occupants are belted or unbelted. Information necessary to service the system safely is included in the SR and SB section of this Service Manual.

#### WARNING:

- To avoid rendering the SRS inoperative, which could increase the risk of personal injury or death in the event of a collision which would result in air bag inflation, all maintenance must be performed by an authorized NISSAN/INFINITI dealer.
- Improper maintenance, including incorrect removal and installation of the SRS, can lead to personal injury caused by unintentional activation of the system. For removal of Spiral Cable and Air Bag Module, see the SR section.
- Do not use electrical test equipment on any circuit related to the SRS unless instructed to in this Service Manual. SRS wiring harnesses can be identified by yellow and/or orange harnesses or harness connectors.

#### Precautions

INFOID:000000003897523

- After removing and installing any opening/closing parts, make sure to perform all adjustments for proper operation.
- Check the lubrication level, damage, and wear of each part. If necessary, grease or replace it.
- When removing or disassembling any part, be careful not to damage or deform it. Protect parts which may get in the way with cloth.
- When removing parts with a screwdriver or other tool, protect parts by wrapping them with vinyl or tape.
- Keep removed parts protected with cloth.
- If a clip is deformed or damaged, replace it.
- If a non-reuseable part is removed, replace it with a new one.
- Tighten bolts and nuts firmly to the specified torque.
- After re-assembly has been completed, make sure each part functions correctly.
- Remove stains in the following manner:

| Water-Soluble stains  | Oil stains  |
|---|---|
| Dip a cloth in warm water, and squeeze tightly. After wiping the stain, wipe with a soft dry cloth. | Dissolve a synthetic detergent in warm water (density of 2 to 3% or less), dip the cloth, then clean off the stain with the cloth. Next, dip the cloth in fresh water, then squeeze tightly. Clean off detergent completely, then wipe entire area with a soft dry cloth. |
| Do not use any organic solvent, such as a thinner or benzine to remove stains                       |   |

#### Precautions Necessary for Steering Wheel Rotation after Battery Disconnect

INFOID:000000004394036

#### NOTE:

- Before removing and installing any control units, first turn the push-button ignition switch to the LOCK position, then disconnect both battery cables.
- After finishing work, confirm that all control unit connectors are connected properly, then re-connect both battery cables.
- Always use CONSULT-III to perform self-diagnosis as a part of each function inspection after finishing work. If a DTC is detected, perform trouble diagnosis according to self-diagnosis results.

This vehicle is equipped with a push-button ignition switch and a steering lock unit.

If the battery is disconnected or discharged, the steering wheel will lock and cannot be turned.

## PRECAUTIONS

### < PRECAUTION >

---

If turning the steering wheel is required with the battery disconnected or discharged, follow the procedure below before starting the repair operation.

#### OPERATION PROCEDURE

1. Connect both battery cables.

**NOTE:**

Supply power using jumper cables if battery is discharged.

2. Carry the Intelligent Key or insert it to the key slot and turn the push-button ignition switch to ACC position. (At this time, the steering lock will be released.)
3. Disconnect both battery cables. The steering lock will remain released with both battery cables disconnected and the steering wheel can be turned.
4. Perform the necessary repair operation.
5. When the repair work is completed, re-connect both battery cables. With the brake pedal released, turn the push-button ignition switch from ACC position to ON position, then to LOCK position. (The steering wheel will lock when the push-button ignition switch is turned to LOCK position.)
6. Perform self-diagnosis check of all control units using CONSULT-III.



# PREPARATION

< PREPARATION >

## PREPARATION

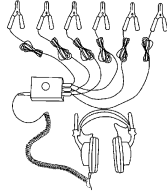
### PREPARATION

#### Special Service Tools

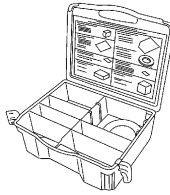
INFOID:000000003897524

The actual shapes of Kent-Moore tools may differ from those of special service tools illustrated here.

| Tool number<br>(Kent-Moore No.)<br>Tool name      | Description                  |
|---|------------------------------|
| —<br>(J-39570)<br>Chassis ear                     | Locating the noise           |
| —<br>(J-43980)<br>NISSAN Squeak and Rattle<br>Kit | Repairing the cause of noise |



SIIA0993E

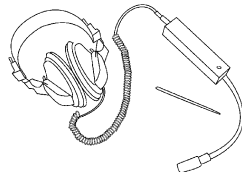


SIIA0994E

#### Commercial Service Tools

INFOID:000000003897525

| Tool name   | Description                      |
|-------------|----------------------------------|
| Engine ear  | Locating the noise               |
| Power tools | Loosening bolts, nuts and screws |



SIIA0995E



PIIB1407E

A  
B  
C  
D  
E  
F  
G  
H  
I  
INT  
K  
L  
M  
N  
O  
P

# FRONT DOOR FINISHER

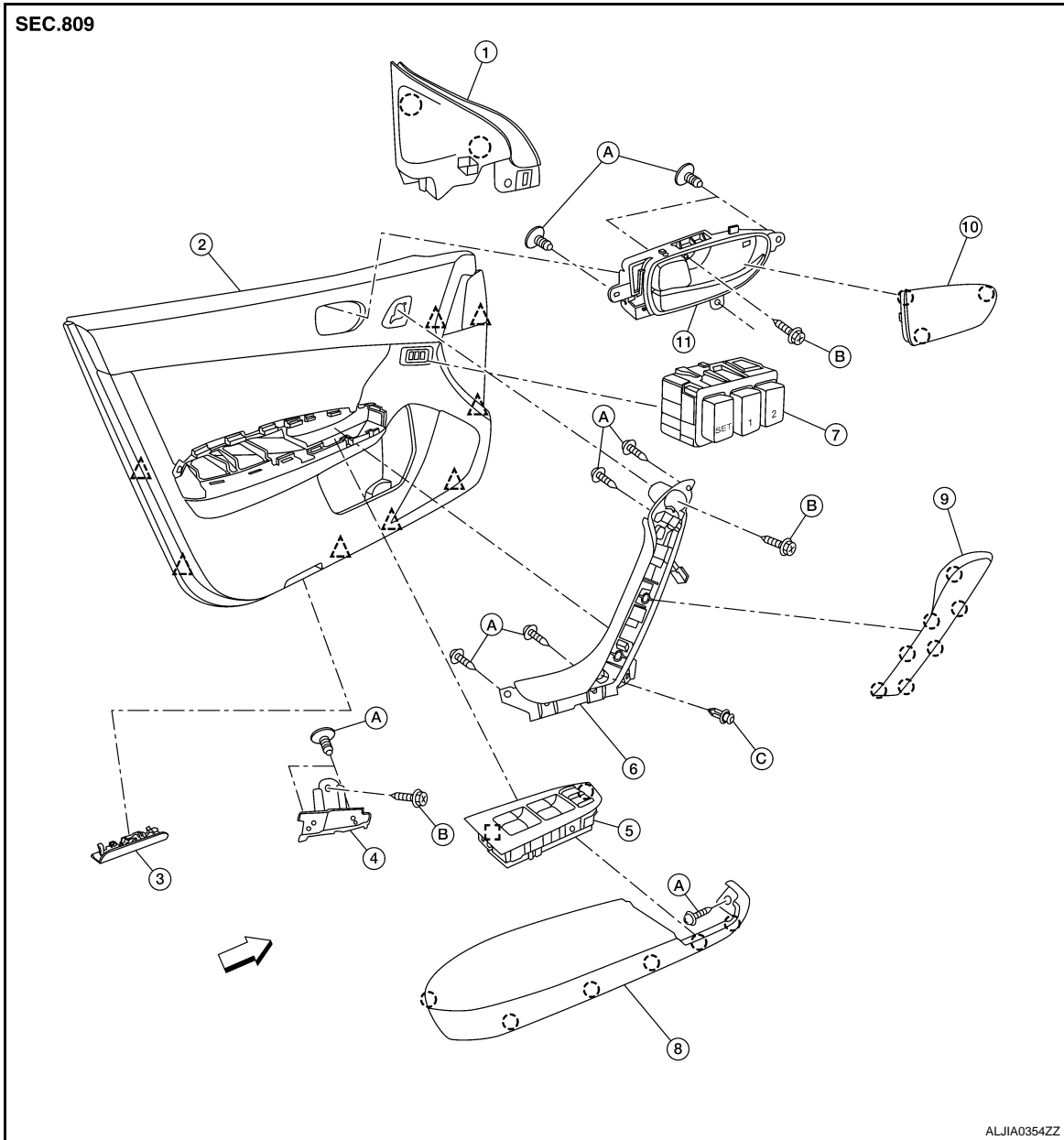
< ON-VEHICLE REPAIR >

## ON-VEHICLE REPAIR

### FRONT DOOR FINISHER

Exploded View

INFOID:000000003897526



- |                                      |  |                          |
|--------------------------------------|--|--------------------------|
| 1. Mirror cover                      | 2. Front door finisher                               | 3. Step lamp lens/socket |
| 4. Front door finisher bracket       | 5. Power window and door lock/unlock switch finisher | 6. Front door grip       |
| 7. Memory switch (if equipped)       | 8. Arm rest finisher                                 | 9. Front door grip cover |
| 10. Inside release handle escutcheon | 11. Inside release handle                            | A. Flat head screws      |
| B. Screws                            | C. Clip C205   | △ Clip C101              |
| □ Metal clip                         | ○ Pawl   | ⇐ Vehicle front          |

Removal and Installation

INFOID:000000003897527

# FRONT DOOR FINISHER

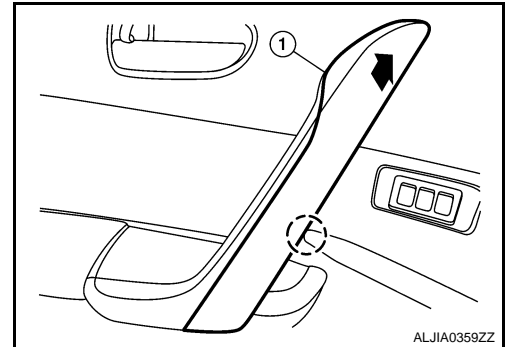
## < ON-VEHICLE REPAIR >

### REMOVAL

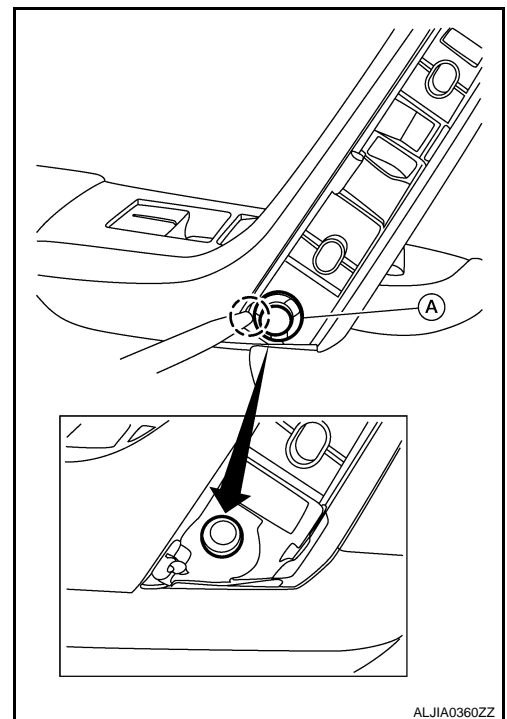
1. Release the pawls and remove step lamp lens/socket, then disconnect the connector.
2. Release the pawls at the rear edge and remove inside release handle escutcheon, then remove the screw.
3. Remove the front door grip cover (1).

**CAUTION:**

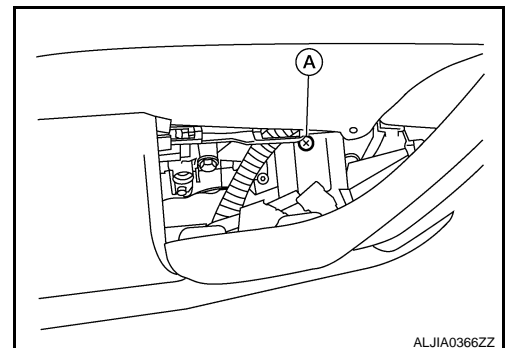
- Lift front door grip cover at the point shown or damage may occur to the pawls.
- Lift up front door grip cover finisher to remove.



4. Remove the front door grip clip (A).



5. Lift up power window and door lock/unlock switch finisher starting at the rear of the switch, then disconnect the connectors.
6. Remove the front door finisher screw (A) under power window and door lock/unlock switch finisher.

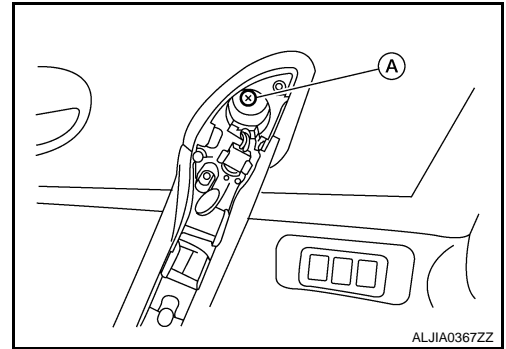


A  
B  
C  
D  
E  
F  
G  
H  
I  
INT  
K  
L  
M  
N  
O  
P

## FRONT DOOR FINISHER

### < ON-VEHICLE REPAIR >

7. Remove the front door grip screw (A).



8. Release the clips around outer edge, then remove front door finisher.
9. Disconnect the memory switch connector, if equipped.
10. Disconnect inside release handle and lock knob cables from back of front door finisher.
11. Release the pawls and remove the mirror cover.

#### Installation

Installation is in the reverse order of removal.

#### **CAUTION:**

**To install the front door grip cover, start from the top and work down to the base.**

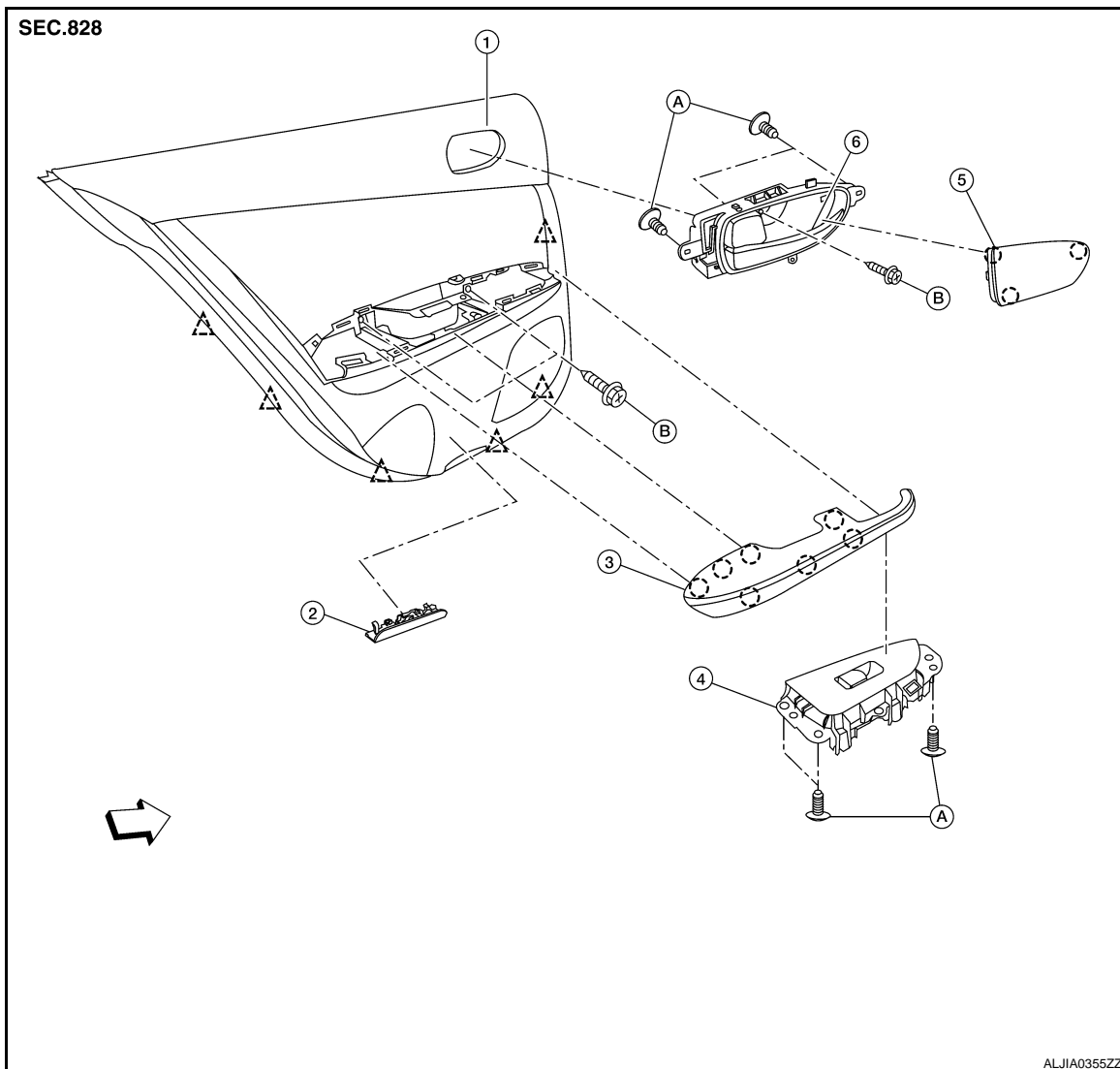
# REAR DOOR FINISHER

< ON-VEHICLE REPAIR >

## REAR DOOR FINISHER

Exploded View

INFOID:000000004212550



- |   |                                     |                          |
|---|-------------------------------------|--------------------------|
| 1. Rear door finisher                     | 2. Step lamp lens                   | 3. Armrest finisher      |
| 4. Rear door power window switch finisher | 5. Inside release handle escutcheon | 6. Inside release handle |
| A. Flat head screws                       | B. Screw                            | △ Clip C101              |
| ○ Pawl                                    | ← Vehicle front                     |                          |

### Removal and Installation

INFOID:000000004212551

#### REAR DOOR FINISHER

##### Removal

1. Release the pawls and remove the step lamp/reflector lens, then disconnect the connector.
2. Release the pawls at the rear edge and remove inside release handle escutcheon, then remove the screw.
3. Release the pawls and lift up to remove the armrest finisher, then disconnect the rear door power window switch connector.
4. Remove the rear door finisher screws under the armrest finisher.

## REAR DOOR FINISHER

< ON-VEHICLE REPAIR >

---

5. Release the clips around outer edge, then remove rear door finisher.
6. Disconnect inside release handle and lock knob cables from the back of rear door finisher.

Installation

Installation is in the reverse order of removal.

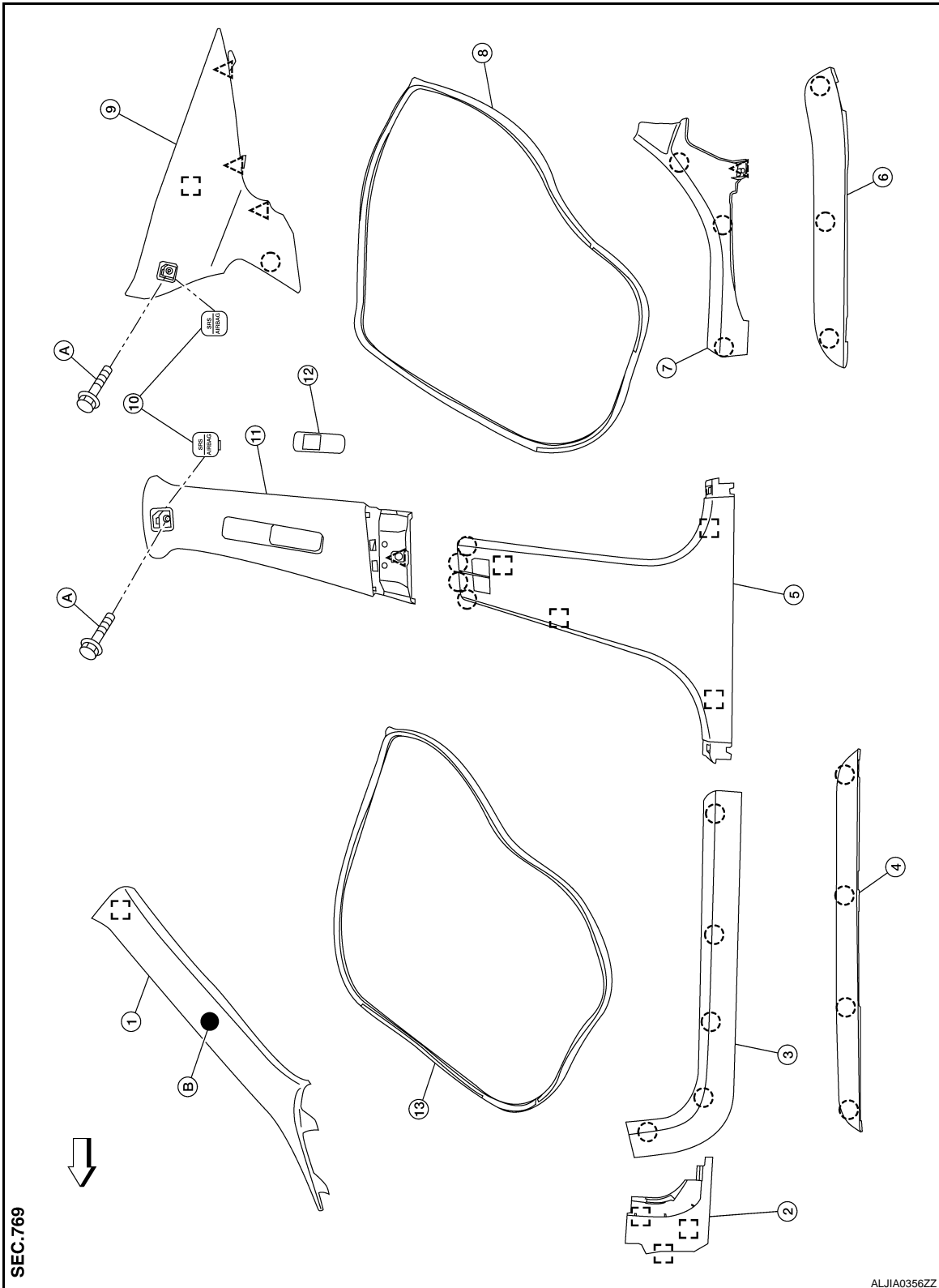
# BODY SIDE TRIM

< ON-VEHICLE REPAIR >

## BODY SIDE TRIM

Exploded View

INFOID:000000003897528



- |                          |                                 |                         |
|--------------------------|---------------------------------|-------------------------|
| 1. Front pillar finisher | 2. Dash side lower finisher     | 3. Front kicking plate  |
| 4. Front sill cover      | 5. Center pillar lower finisher | 6. Rear sill cover      |
| 7. Rear kicking plate    | 8. Rear body side welt          | 9. Rear pillar finisher |

A  
B  
C  
D  
E  
F  
G  
H  
I  
INT  
K  
L  
M  
N  
O  
P


# BODY SIDE TRIM

## < ON-VEHICLE REPAIR >

10. Screw cover

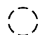
13. Front body side welt

 Clip C101

 Vehicle front

11. Center pillar upper finisher

A. Screw

 Pawl

12. Front seat belt adjuster cover

B. Tether clip

 Metal clip

## Removal and Installation

INFOID:000000003897529

### CAUTION:

- Wrap the tip of flat-bladed screwdriver with a cloth when removing metal clips from garnishes.
- When removing or installing body side welts, do not allow butyl seal to come in contact with pillar finishers.

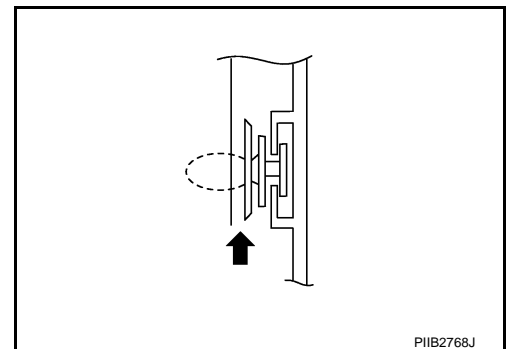
### REMOVAL

#### FRONT PILLAR FINISHER

1. Remove front body side welt.
2. Release the clips, then remove front pillar finisher.

### CAUTION:

Insert a suitable clip removing tool wrapped with a shop cloth between the clip and the body side panel, then release the clip.



#### DASH SIDE LOWER FINISHER

1. Remove the front kicking plate.
2. Release the clips, then remove dash side lower finisher.

#### FRONT KICKING PLATE

Release the clip and pawls, then remove front kicking plate.

#### FRONT BODY SIDE WELT

1. Remove the center pillar lower finisher.
2. Remove the front kicking plate.
3. Release welt from the body opening, then remove front body side welt.

#### CENTER PILLAR LOWER FINISHER

1. Remove the front and rear kicking plate.
2. Release the clips and pawls, then remove center pillar lower finisher.
3. Remove the front and rear body side welt.

#### CENTER PILLAR UPPER FINISHER

1. Remove the screw cover, then remove the screw.
2. Remove front seat belt adjuster cover and shoulder anchor bolt. Refer to [SB-7, "Exploded View"](#).
3. Remove the center pillar lower finisher.
4. Release the clips, then remove center pillar upper finisher.

#### REAR KICKING PLATE

Release the clip and pawl, then remove rear kicking plate.

#### REAR BODY SIDE WELT

1. Remove the rear kicking plate.
2. Remove the center pillar lower finisher.
3. Release the welt from the body opening, then remove rear body side welt.

#### REAR PILLAR FINISHER



## BODY SIDE TRIM

### < ON-VEHICLE REPAIR >

---

1. Remove the rear body side welt.
2. Remove the screw cover, then remove the screw.
3. Release the clips, then remove rear pillar finisher.

#### SILL COVERS (FRONT/REAR)

Release the pawls, then remove the sill covers.

#### INSTALLATION

Installation is in the reverse order of removal.

#### **CAUTION:**

**Make sure that clips are fully aligned with panel holes on body when installing, then press them in completely.**

A

B

C

D

E

F

G

H

I

INT

K

L

M

N

O

P

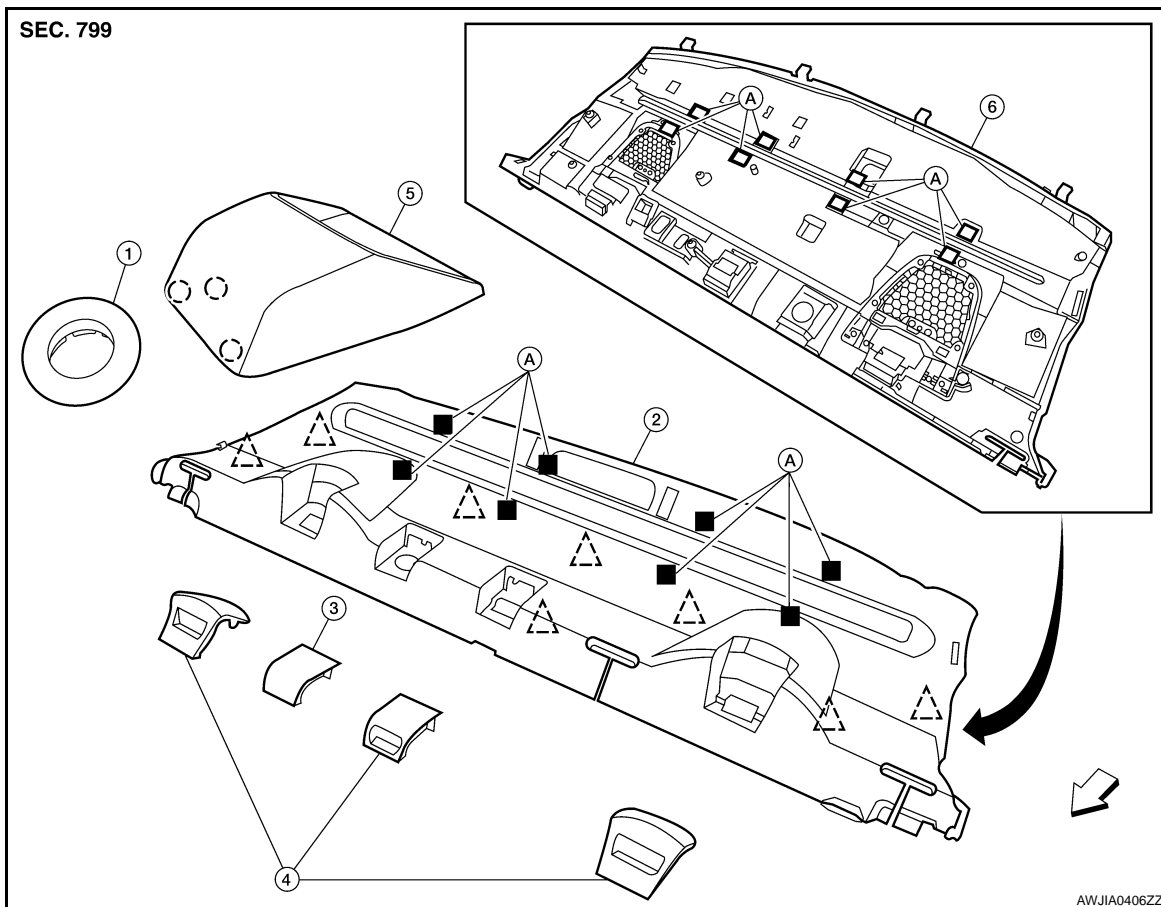
# REAR PARCEL SHELF FINISHER

< ON-VEHICLE REPAIR >

## REAR PARCEL SHELF FINISHER

Exploded View

INFOID:000000003897530



- |  |   |  |
|--|---|--|
| 1. Seatback release escutcheon                   | 2. Rear parcel shelf finisher           | 3. Cover                                   |
| 4. Child anchor cover                            | 5. High mounted stop lamp (if equipped) | 6. Rear parcel shelf finisher (under side) |
| A. Dual lock fasteners (if equipped w/ sunshade) | Clip                                    | Pawl                                       |
- ← Vehicle front

## Removal and Installation

INFOID:000000003897531

### REMOVAL

1. Remove the halo upper frame assembly for bench seat or seat back for bucket seat. Refer to [SE-111, "Removal and Installation"](#) for bench seat (w/o climate controlled seats), or [SE-109, "Removal and Installation"](#) for bucket seat (w/o climate controlled seats), or [SE-67, "Removal and Installation"](#) for buck seat (with climate controlled seats).
2. Remove high mounted stop lamp, if equipped. Refer to [INT-24, "Removal and Installation"](#).
3. Remove rear pillar finisher RH/LH. Refer to [INT-24, "Removal and Installation"](#).
4. Thread the rear seat belt RH/LH/center through vertical opening and release from rear parcel shelf finisher.
5. Release the clips, then remove rear parcel shelf finisher.

### INSTALLATION

Installation is in the reverse order of removal.

**CAUTION:**

## REAR PARCEL SHELF FINISHER

< ON-VEHICLE REPAIR >

**Make sure that clips are fully aligned with panel holes on body when installing, then press them in completely.**

A

B

C

D

E

F

G

H

I

INT

K

L

M

N

O

P

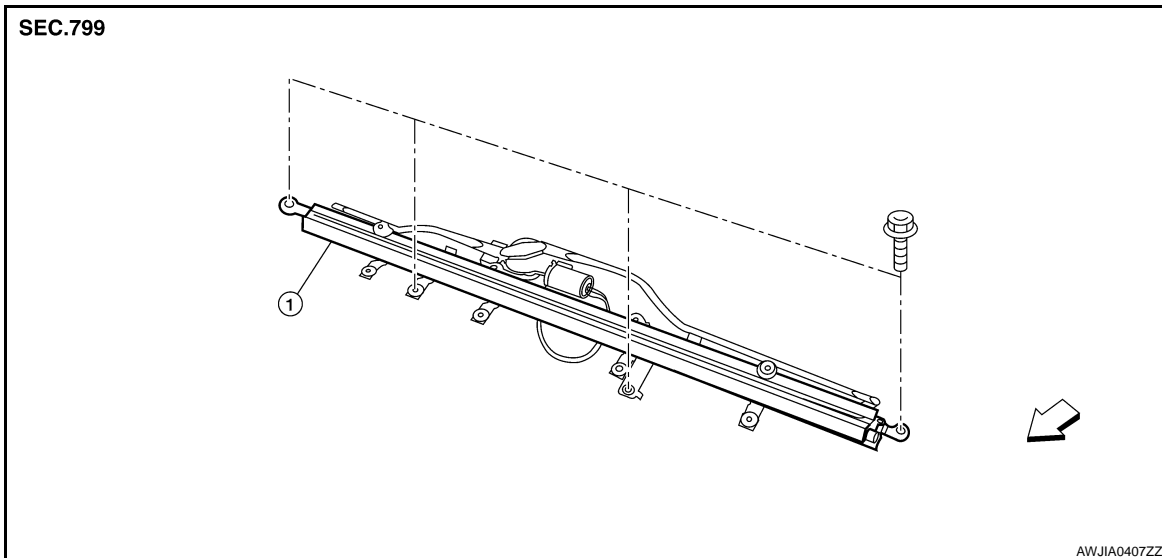
# REAR SUNSHADE

< ON-VEHICLE REPAIR >

## REAR SUNSHADE

### Removal and Installation

INFOID:000000004291567



1. Rear sunshade assembly

← Vehicle front

### REMOVAL

1. Remove the rear parcel shelf finisher. Refer to [INT-26, "Removal and Installation"](#).
2. Remove the rear sunshade bolts, then disconnect the rear sunshade connector and remove the rear sunshade assembly.

### INSTALLATION

Installation is in the reverse order of removal.

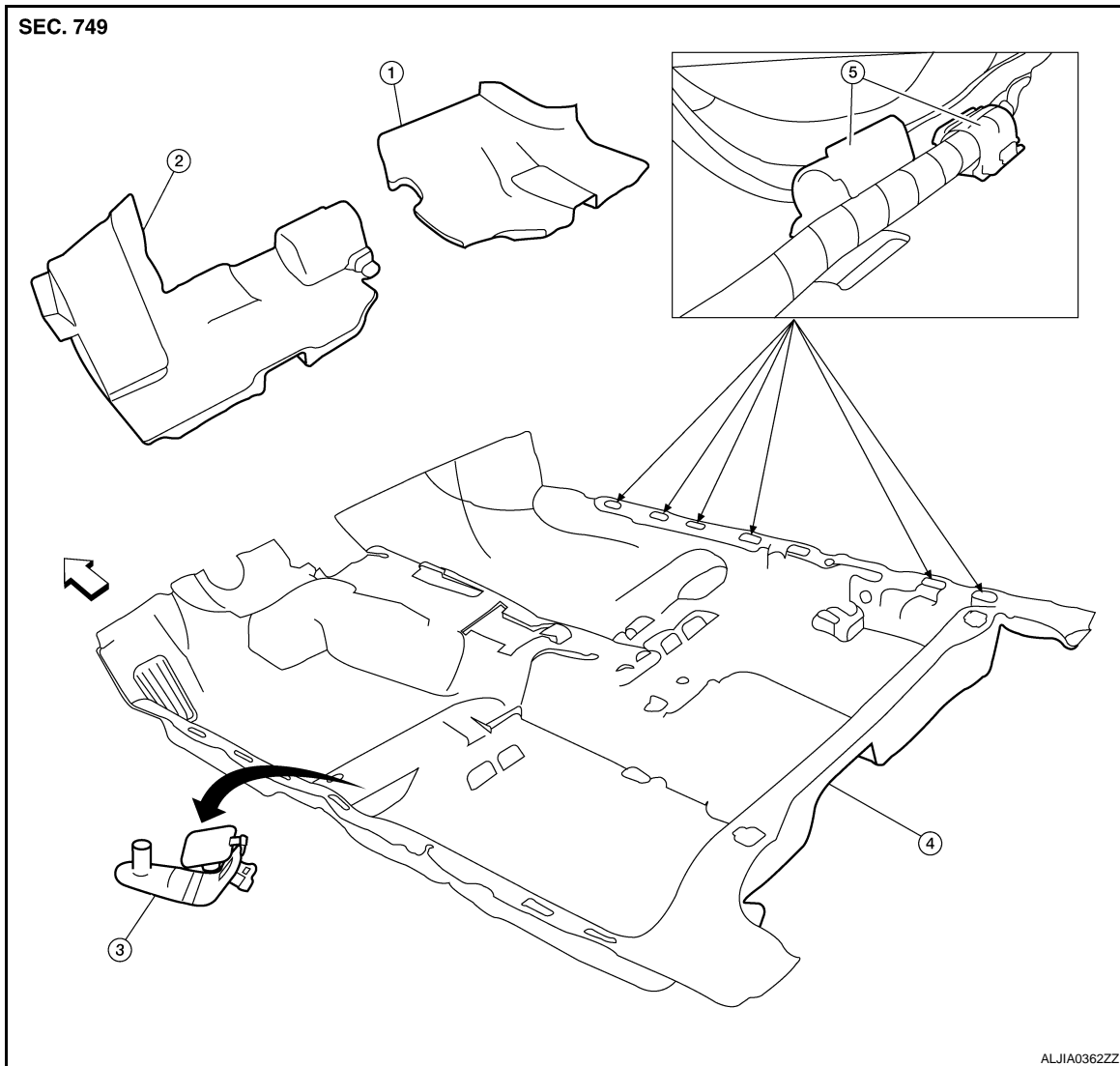
# FLOOR TRIM

< ON-VEHICLE REPAIR >

## FLOOR TRIM

Exploded View

INFOID:000000003897532



1. Spacer (RH)

2. Spacer (LH)

3. Floor mat hook

4. Floor carpet

5. Harness clamp

↩ Vehicle front

## Removal and Installation

INFOID:000000003897533

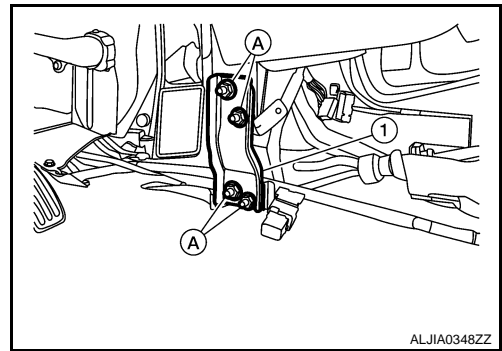
### REMOVAL

1. Remove front seat (RH/LH). Refer to [SE-106, "Removal and Installation"](#) (w/o climate controlled seats) or [SE-64, "Removal and Installation"](#) (with climate controlled seats).
2. Remove the rear seat cushion. Refer to [SE-111, "Removal and Installation"](#) for bench seat (w/o climate controlled seats), or [SE-109, "Removal and Installation"](#) for bucket seat (w/o climate controlled seats), or [SE-67, "Removal and Installation"](#) for bucket seat (with climate controlled seats).
3. Remove lower body side trim. Refer to [INT-24, "Removal and Installation"](#).
4. Remove center console. Refer to [IP-12, "Removal and Installation"](#).

## FLOOR TRIM

### < ON-VEHICLE REPAIR >

5. Remove the instrument stay assembly bracket nuts (A), then remove the instrument stay assembly bracket (1).

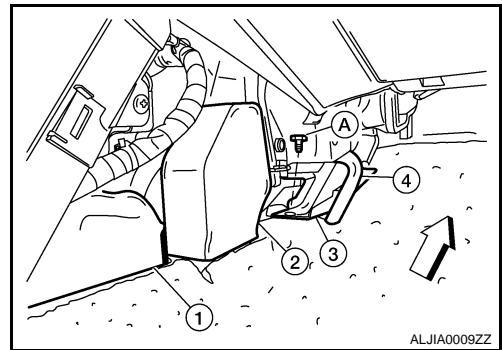


6. Remove the iPod adapter, if equipped. Refer to [AV-488. "Removal and Installation"](#).
7. Remove the parking brake cable bracket bolt, then position the parking brake cable aside.

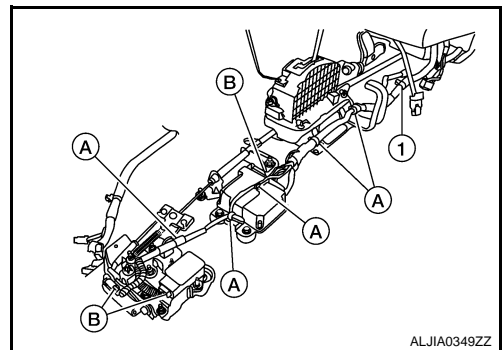
8. Remove the connector duct (RH/LH) (2) and the center connector duct (1) from heater and cooling unit. Refer to [VTL-10. "Exploded View"](#).

- ⇐: Vehicle front

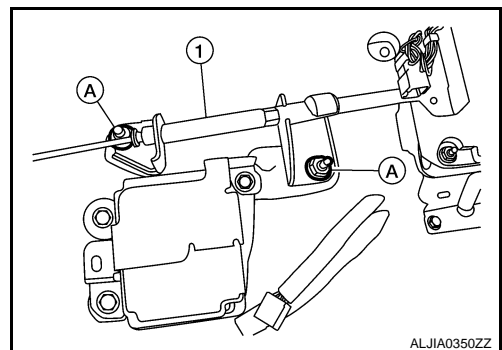
9. Disconnect the drain hose (4) from the heater and cooling unit, then set aside.
10. Remove the three bolts (A) and one nut, then remove the bracket (3).



11. Detach the center console harness clips (A), then disconnect the electrical connectors (B) and position aside the center console harness (1).



12. Remove the parking brake cable nuts (A) and bolt, then remove the parking brake cable and position it aside.

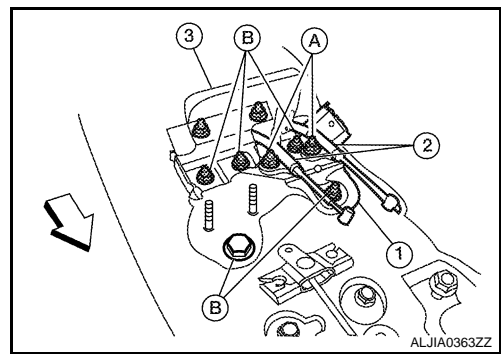


13. Remove the "G" sensor. Refer to [BRC-105. "Removal and Installation"](#).
14. Remove the diagnosis sensor unit. Refer to [PWO-5. "Removal and Installation"](#).

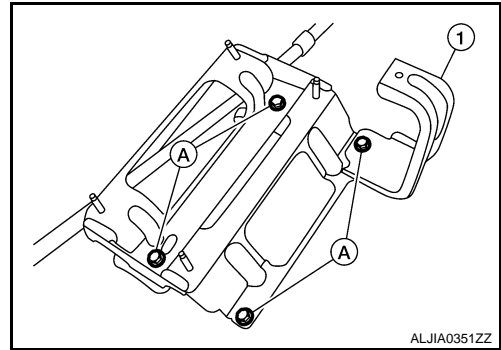
## FLOOR TRIM

### < ON-VEHICLE REPAIR >

15. Remove the parking brake cable nuts (A), then position the parking brake cables (2) aside.
16. Remove the bracket nuts (B), then remove extension bracket (1) and center console rear bracket (3).
  - ⇐ Vehicle front



17. Remove the CVT shifter. Refer to [TM-168. "Removal and Installation"](#).
18. Remove the CVT shifter bracket bolts (A), then remove the CVT shifter bracket (1).



19. Remove front seat belt floor anchor bolt (RH/LH). Refer to [SB-7. "Removal and Installation"](#).
20. Release the tab, then remove floor mat hook.
21. Release the tabs and open harness clamps (six R/H and six L/H). Position harness and floor carpet cut-out areas outside of harness clamps.
22. Fold corners toward center, then remove floor carpet.

### INSTALLATION

Installation is in the reverse order of removal.

A  
B  
C  
D  
E  
F  
G  
H  
I  
INT  
K  
L  
M  
N  
O  
P

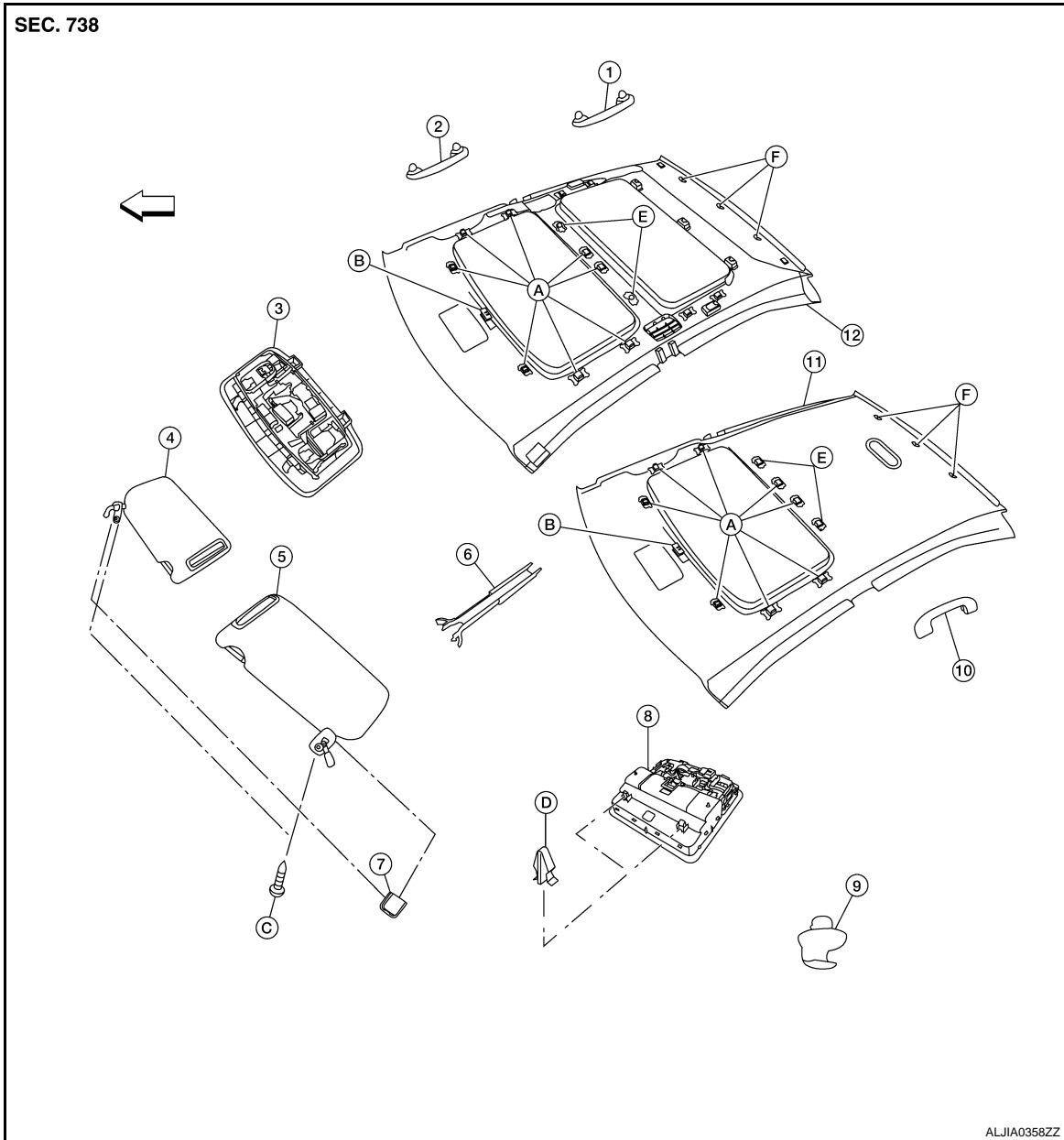
# HEADLINING

< ON-VEHICLE REPAIR >

## HEADLINING

Exploded View

INFOID:000000003897534



- |                         |                         |   |
|-------------------------|-------------------------|---|
| 1. Rear assist grip     | 2. Front assist grip    | 3. Map lamp assembly (dual panel-sun-roof)    |
| 4. Sunvisor (RH)        | 5. Sunvisor (LH)        | 6. Mirror harness cover                       |
| 7. Sunvisor cover       | 8. Map lamp assembly    | 9. Sunvisor holder                            |
| 10. Rear assist grip LH | 11. Headlining assembly | 12. Headlining assembly (dual panel-sun-roof) |
| A. Dual lock fastener   | B. Sunroof clip         | C. Screw                                      |
| D. Metal clip           | E. Magnets              | F. Clip C101                                  |
- ← Vehicle front

### Removal and Installation

INFOID:000000003897535

**CAUTION:**



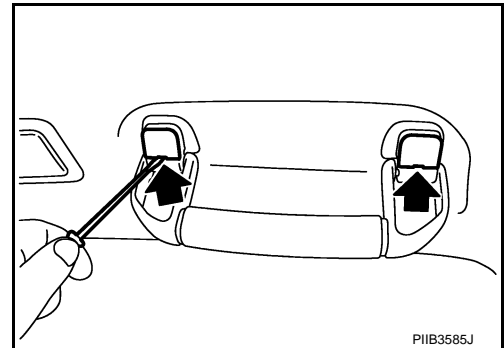
# HEADLINING

## < ON-VEHICLE REPAIR >

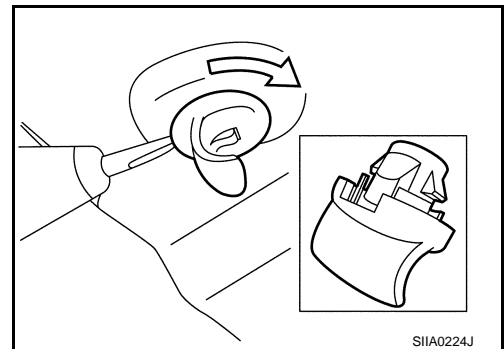
- **Disconnect the negative and positive battery terminals and wait at least 3 minutes.**
- **Be careful not to bend headlining during removal or installation.**

### REMOVAL

1. Recline the front seats to the fully reclined position.
2. Disconnect the negative and positive battery terminals, then wait at least 3 minutes.
3. Remove front pillar finisher (RH/LH). Refer to [INT-24, "Removal and Installation"](#).
4. Disconnect headlining harness and antenna feeder connectors.
5. Remove center pillar upper and rear pillar finishers. Refer to [INT-24, "Removal and Installation"](#).
6. Disconnect antenna amplifier and rear window defogger connectors.
7. Release the molded clip, then remove front and rear assist grips.



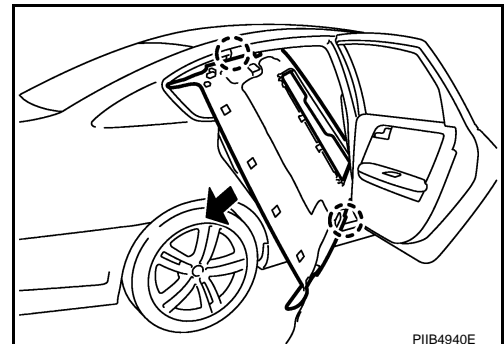
8. Remove the rear view mirror. Refer to [MIR-18, "Removal and Installation"](#).
9. Remove the sunvisor covers and screws, and then remove sunvisors (RH/LH).
10. Insert a suitable thin tool into the sunvisor holder notch and press in to release the locking tab.
  - Rotate sunvisor holder 90 degrees and pull away from headlining to remove.



11. Remove map lamp assembly.
  - Release the pawls and lower map lamp assembly away from headliner. Disconnect the map lamp and sunroof switch connectors, then remove the map lamp assembly.
12. Release dual lock fasteners around the sunroof opening and release the sunroof clip using a suitable tool.
13. Release dual lock fasteners for dual opening headlining around the sunroof opening and release the sunroof clip using a suitable tool.
14. Release the hidden clips near the rear edge of headliner using a suitable clip removal tool.
15. Drop headlining down and carefully rotate into position. Remove headlining through rear door opening.

### **CAUTION:**

- **When removing, two workers are required (one for each front and rear of headlining).**
- **Cover center console finisher upper surface with a shop cloth to prevent damage.**



16. The following components are integral to the headliner and are repaired only as an assembly:
  - Personal lamp (LH/RH).

A  
B  
C  
D  
E  
F  
G  
H  
I  
INT  
K  
L  
M  
N  
O  
P

## HEADLINING

### < ON-VEHICLE REPAIR >

---

- Roof harness assembly.
- Antenna feeder assembly.
- Dual lock attachments

### INSTALLATION

Installation is in the reverse order of removal.

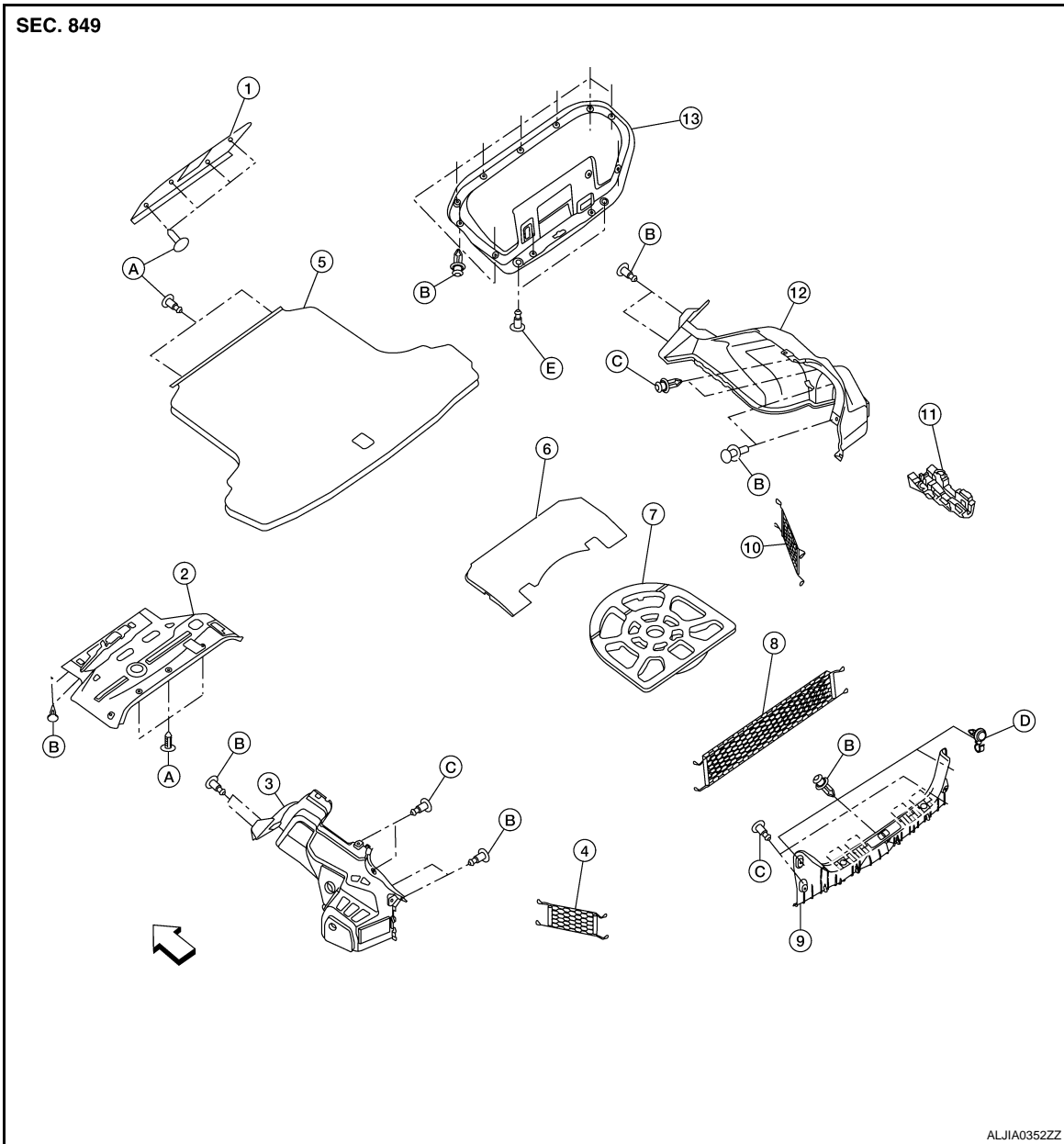
# TRUNK ROOM TRIM & TRUNK LID FINISHER

< ON-VEHICLE REPAIR >

## TRUNK ROOM TRIM & TRUNK LID FINISHER

Exploded View

INFOID:000000003897536



- |                                       |                                 |                              |
|---------------------------------------|---------------------------------|------------------------------|
| 1. Trunk forward carpet (if equipped) | 2. Upper trunk finisher         | 3. Trunk side finisher (LH)  |
| 4. Trunk net side                     | 5. Trunk floor carpet           | 6. Spacer                    |
| 7. Spare tire cover                   | 8. Trunk net rear (if equipped) | 9. Trunk rear finisher       |
| 10. Trunk net side                    | 11. Box assembly                | 12. Trunk side finisher (RH) |
| 13. Trunk lid finisher                | A. Clip C103                    | B. Clip C205                 |
| C. Clip C101                          | D. Trunk net hooks              | E. Trunk lid rubber bumper   |
| Metal clip                            | Vehicle front                   |                              |

### Removal and Installation

INFOID:000000003897537

#### REMOVAL

A  
B  
C  
D  
E  
F  
G  
H  
I  
INT  
K  
L  
M  
N  
O  
P

## TRUNK ROOM TRIM & TRUNK LID FINISHER

< ON-VEHICLE REPAIR >

---

### TRUNK ROOM TRIM

1. Release the latch, then position rear seatback (RH/LH) to the folded down position, if equipped.
2. Remove trunk floor carpet clips (if equipped), then remove the trunk floor carpet.
3. Remove the trunk net rear and the trunk net side (if installed).
4. Remove the clips, then remove the trunk rear finisher.
5. Remove the clips, then remove the upper trunk finisher.
6. Remove the clips, then remove the trunk forward carpet.
7. Release the clips, then remove trunk side finishers (RH/LH).
8. Remove spare tire foam board cover and the forward floor foam board spacer.
9. Remove the trunk lid rubber bumpers (RH/LH), detach the trunk pull handle release, then remove the clips and remove trunk lid finisher.

### INSTALLATION

Installation is in the reverse order of removal.