

SECTION **EX**  
EXHAUST SYSTEM

A  
EX  
C  
D  
E  
F  
G  
H  
I  
J  
K  
L  
M  
N  
O  
P

CONTENTS

<b>PRECAUTION</b> .....	2	<b>PERIODIC MAINTENANCE</b> .....	4
<b>PRECAUTIONS</b> .....	2	<b>EXHAUST SYSTEM</b> .....	4
Precaution for Supplemental Restraint System (SRS) "AIR BAG" and "SEAT BELT PRE-TENSIONER" .....	2	Checking Exhaust System .....	4
<b>PREPARATION</b> .....	3	<b>REMOVAL AND INSTALLATION</b> .....	5
<b>PREPARATION</b> .....	3	<b>EXHAUST SYSTEM</b> .....	5
Special Service Tool .....	3	Exploded View .....	5
Commercial Service Tool .....	3	Removal and Installation .....	5

# PRECAUTIONS

< PRECAUTION >

## PRECAUTION

### PRECAUTIONS

#### Precaution for Supplemental Restraint System (SRS) "AIR BAG" and "SEAT BELT PRE-TENSIONER"

INFOID:000000007255926

The Supplemental Restraint System such as "AIR BAG" and "SEAT BELT PRE-TENSIONER", used along with a front seat belt, helps to reduce the risk or severity of injury to the driver and front passenger for certain types of collision. This system includes seat belt switch inputs and dual stage front air bag modules. The SRS system uses the seat belt switches to determine the front air bag deployment, and may only deploy one front air bag, depending on the severity of a collision and whether the front occupants are belted or unbelted. Information necessary to service the system safely is included in the SR and SB section of this Service Manual.

#### **WARNING:**

- To avoid rendering the SRS inoperative, which could increase the risk of personal injury or death in the event of a collision which would result in air bag inflation, all maintenance must be performed by an authorized NISSAN/INFINITI dealer.
- Improper maintenance, including incorrect removal and installation of the SRS, can lead to personal injury caused by unintentional activation of the system. For removal of Spiral Cable and Air Bag Module, see the SR section.
- Do not use electrical test equipment on any circuit related to the SRS unless instructed to in this Service Manual. SRS wiring harnesses can be identified by yellow and/or orange harnesses or harness connectors.

#### PRECAUTIONS WHEN USING POWER TOOLS (AIR OR ELECTRIC) AND HAMMERS

#### **WARNING:**

- When working near the Airbag Diagnosis Sensor Unit or other Airbag System sensors with the Ignition ON or engine running, DO NOT use air or electric power tools or strike near the sensor(s) with a hammer. Heavy vibration could activate the sensor(s) and deploy the air bag(s), possibly causing serious injury.
- When using air or electric power tools or hammers, always switch the Ignition OFF, disconnect the battery, and wait at least 3 minutes before performing any service.

# PREPARATION

< PREPARATION >

## PREPARATION

### PREPARATION

#### Special Service Tool

INFOID:000000007806685

A

EX

The actual shapes of Kent-Moore tools may differ from those of special service tools illustrated here.

Tool number (Kent-Moore No.) Tool name	Description
KV10114400 (J-38365) Heated oxygen sensor wrench <div data-bbox="620 525 922 703" style="text-align: center;"> <p>S-NT636</p> </div>	Loosening or tightening heated oxygen sensors: <b>a: 22 mm (0.87 in)</b>

C

D

E

#### Commercial Service Tool

INFOID:000000007806686

(Kent-Moore No.) Tool name	Description
(J-43897-18) (J-43897-12) Oxygen sensor thread cleaner <div data-bbox="669 924 880 1134" style="text-align: center;"> <p>AEM488</p> </div>	Reconditioning the exhaust system threads before installing a new oxygen sensor (Use with anti-seize lubricant shown below): <b>a: J-43897-18 (18 mm dia.) for zirconia oxygen sensor</b> <b>b: J-43897-12 (12 mm dia.) for titania oxygen sensor</b>
Anti-seize lubricant (Permatex 133AR or equivalent meeting MIL specification MIL-A-907) <div data-bbox="701 1176 880 1386" style="text-align: center;"> <p>AEM489</p> </div>	Lubricating oxygen sensor thread cleaning tool when reconditioning exhaust system threads
Power tool <div data-bbox="609 1480 938 1627" style="text-align: center;"> <p>PIIB1407E</p> </div>	Loosening nuts, screws and bolts

F

G

H

I

J

K

L

M

N

O

P

# EXHAUST SYSTEM

< PERIODIC MAINTENANCE >

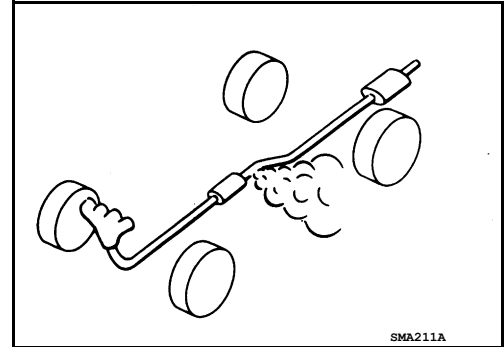
## PERIODIC MAINTENANCE

### EXHAUST SYSTEM

#### Checking Exhaust System

INFOID:000000007255928

Check the exhaust pipes, muffler, and mounting components for incorrect attachment, leaks, cracks, damage, or deterioration.



# EXHAUST SYSTEM

< REMOVAL AND INSTALLATION >

## REMOVAL AND INSTALLATION

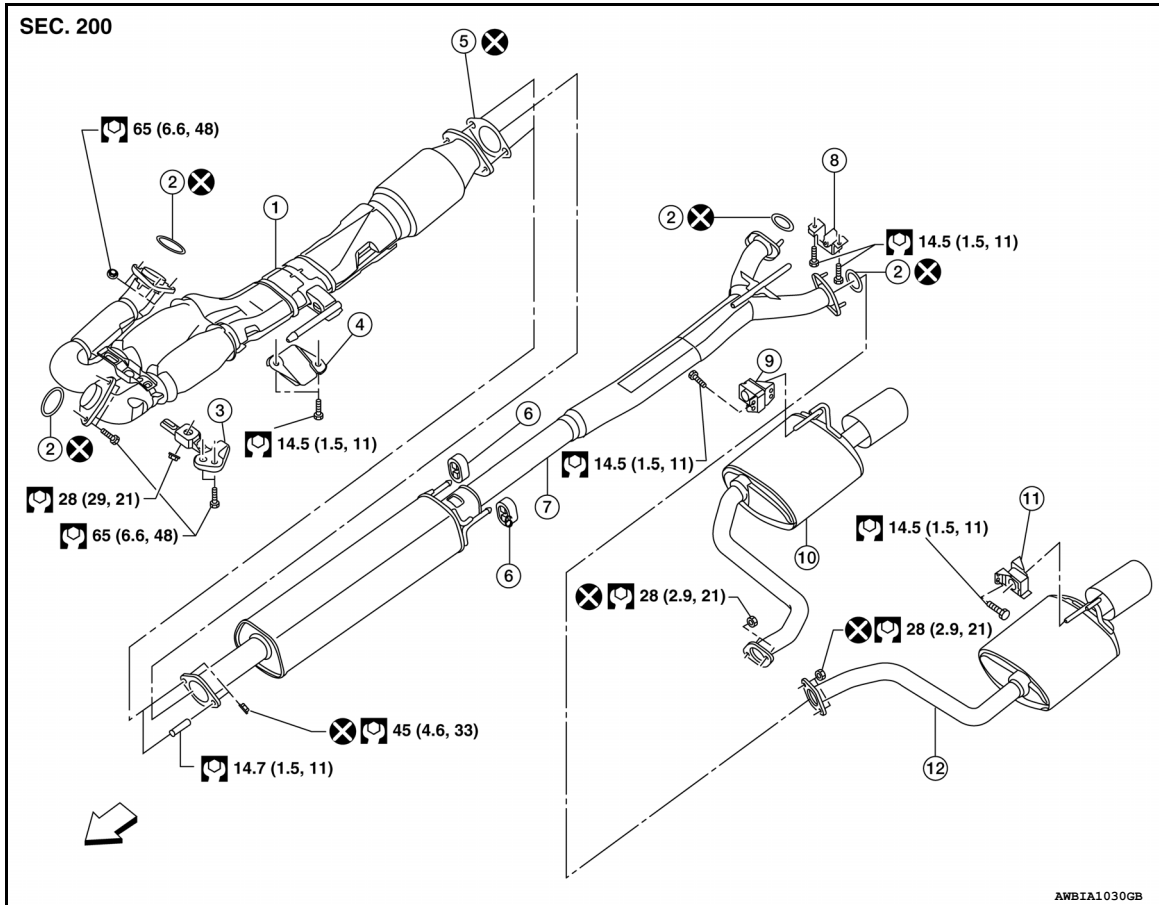
### EXHAUST SYSTEM

Exploded View

INFOID:000000007255929

A

EX



C

D

E

F

G

H

I

J

K

- |                               |                               |                                      |
|-------------------------------|-------------------------------|--------------------------------------|
| 1. Front exhaust tube         | 2. Ring gasket                | 3. Front exhaust tube stay           |
| 4. Front exhaust tube bracket | 5. Gasket                     | 6. Center exhaust tube rubber hanger |
| 7. Center exhaust tube        | 8. Center exhaust tube hanger | 9. RH rear muffler bracket           |
| 10. RH rear muffler           | 11. LH rear muffler bracket   | 12. LH rear muffler                  |

↶ Front

L

M

### Removal and Installation

INFOID:000000007255930

#### WARNING:

- Perform the procedures with the exhaust system fully cooled down to avoid injury from the hot exhaust system.
- Be careful not to cut your hand on the insulator edge.

#### CAUTION:

Use genuine NISSAN exhaust system parts or equivalent, which are specifically designed for heat resistance, corrosion resistance, and shape.

N

O

P

#### REMOVAL

- Remove exhaust system components using power tool.
- When removing center exhaust tube, remove tunnel stay bracket.

#### INSTALLATION

Installation is in the reverse order of removal.

#### CAUTION:

## EXHAUST SYSTEM

### < REMOVAL AND INSTALLATION >

---

- **Always replace exhaust gaskets with new ones when reassembling.**
- **If any insulator is badly deformed, repair or replace it. If deposits such as mud pile up on the insulator, clean and inspect them.**
- **Temporarily tighten the nuts on the exhaust manifold side and the bolts on the vehicle side. Check each part for interference with other components, and then tighten the nuts and bolts to specification.**

### INSPECTION AFTER INSTALLATION

- With the engine running, check the exhaust tube joints for exhaust gas leaks and unusual noises.
- Check that the mounting brackets and mounting insulators are installed properly and free from excessive stress. Improper installation could result in excessive noise, leaks, and vibration.